
A

ACC

ACC

C

SECTION ACC

ACCELERATOR CONTROL SYSTEM

CONTENTS

D

E

PRECAUTION	2	ACCELERATOR CONTROL SYSTEM	3	F
PRECAUTIONS	2	Exploded View	3	
Precaution for Supplemental Restraint System (SRS) "AIR BAG" and "SEAT BELT PRE-TENSIONER"	2	Removal and Installation	3	G
Necessary for Steering Wheel Rotation After Battery Disconnect	2	SERVICE DATA AND SPECIFICATIONS (SDS)	5	
ON-VEHICLE REPAIR	3	SERVICE DATA AND SPECIFICATIONS (SDS)	5	H
		Accelerator Control	5	I

J

K

L

M

N

O

P

PRECAUTIONS

< PRECAUTION >

PRECAUTION

PRECAUTIONS

Precaution for Supplemental Restraint System (SRS) "AIR BAG" and "SEAT BELT PRE-TENSIONER"

INFOID:000000004205577

The Supplemental Restraint System such as "AIR BAG" and "SEAT BELT PRE-TENSIONER", used along with a front seat belt, helps to reduce the risk or severity of injury to the driver and front passenger for certain types of collision. This system includes seat belt switch inputs and dual stage front air bag modules. The SRS system uses the seat belt switches to determine the front air bag deployment, and may only deploy one front air bag, depending on the severity of a collision and whether the front occupants are belted or unbelted. Information necessary to service the system safely is included in the SR and SB section of this Service Manual.

WARNING:

- To avoid rendering the SRS inoperative, which could increase the risk of personal injury or death in the event of a collision which would result in air bag inflation, all maintenance must be performed by an authorized NISSAN/INFINITI dealer.
- Improper maintenance, including incorrect removal and installation of the SRS, can lead to personal injury caused by unintentional activation of the system. For removal of Spiral Cable and Air Bag Module, see the SR section.
- Do not use electrical test equipment on any circuit related to the SRS unless instructed to in this Service Manual. SRS wiring harnesses can be identified by yellow and/or orange harnesses or harness connectors.

Necessary for Steering Wheel Rotation After Battery Disconnect

INFOID:000000004501303

NOTE:

- Before removing and installing any control units, first turn the push-button ignition switch to the LOCK position, then disconnect both battery cables.
- After finishing work, confirm that all control unit connectors are connected properly, then re-connect both battery cables.
- Always use CONSULT-III to perform self-diagnosis as a part of each function inspection after finishing work. If a DTC is detected, perform trouble diagnosis according to self-diagnosis results.

This vehicle is equipped with a push-button ignition switch and a steering lock unit.

If the battery is disconnected or discharged, the steering wheel will lock and cannot be turned.

If turning the steering wheel is required with the battery disconnected or discharged, follow the procedure below before starting the repair operation.

OPERATION PROCEDURE

1. Connect both battery cables.

NOTE:

Supply power using jumper cables if battery is discharged.

2. Carry the Intelligent Key or insert it to the key slot and turn the push-button ignition switch to ACC position. (At this time, the steering lock will be released.)
3. Disconnect both battery cables. The steering lock will remain released with both battery cables disconnected and the steering wheel can be turned.
4. Perform the necessary repair operation.
5. When the repair work is completed, re-connect both battery cables. With the brake pedal released, turn the push-button ignition switch from ACC position to ON position, then to LOCK position. (The steering wheel will lock when the push-button ignition switch is turned to LOCK position.)
6. Perform self-diagnosis check of all control units using CONSULT-III.

ACCELERATOR CONTROL SYSTEM

< ON-VEHICLE REPAIR >

ON-VEHICLE REPAIR

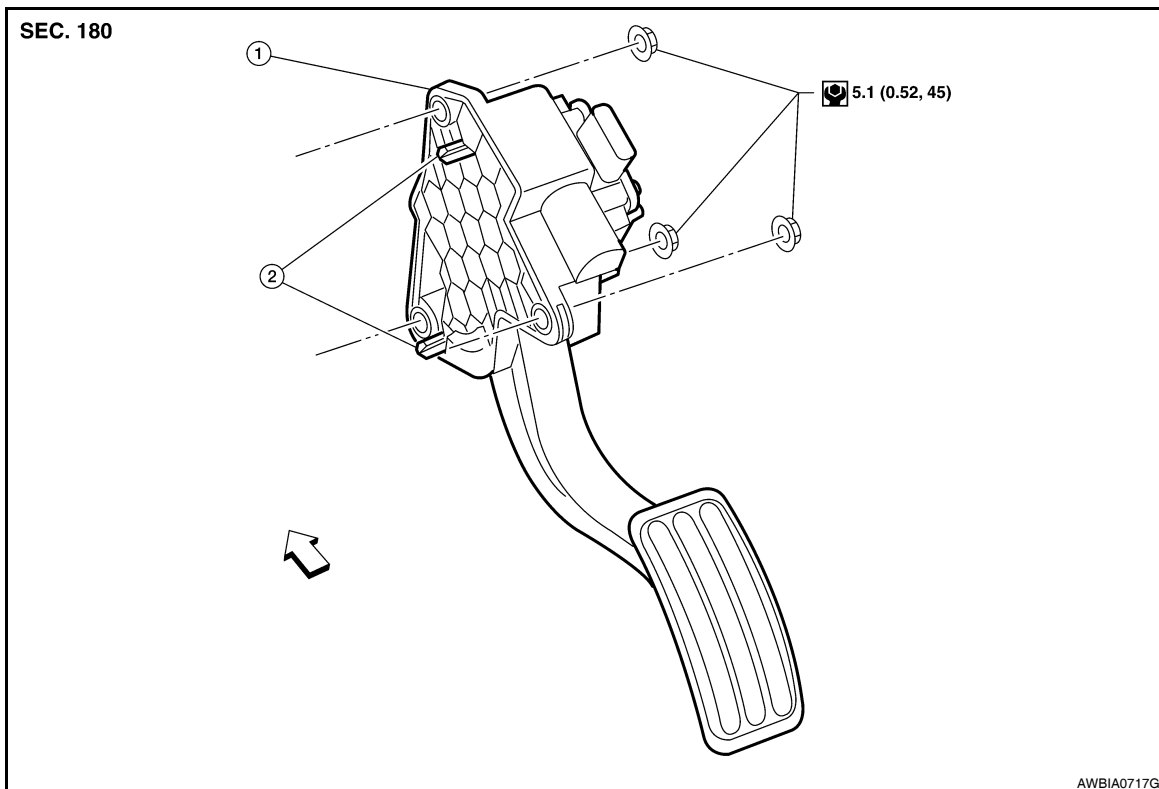
ACCELERATOR CONTROL SYSTEM

Exploded View

INFOID:000000004205578

A

ACC



1. Accelerator pedal and accelerator position sensor assembly.
2. Locating pins

↔ : Front

Removal and Installation

INFOID:000000004205579

REMOVAL

1. Disconnect the battery negative terminal.
2. Disconnect the accelerator position sensor electrical connector.
3. Remove the three accelerator pedal nuts.
4. Remove the accelerator pedal and accelerator position sensor assembly.
 - For electrical inspection of the accelerator pedal position sensor. Refer to [EC-429. "Component Inspection"](#) (QR25DE for California), [EC-938. "Component Inspection"](#) (QR25DE Except for California), [EC-1461. "Component Inspection"](#) (VQ35DE).

CAUTION:

- Do not disassemble the pedal assembly. Do not remove the accelerator pedal position sensor from the pedal assembly.
- Avoid impact from dropping during handling.
- Keep the pedal assembly away from water.

INSTALLATION

Installation is in the reverse order of removal.

- Align and install accelerator pedal and accelerator position sensor assembly with locating pins in locating pin holes.
- Check the accelerator pedal for smooth operation. There should be no binding or sticking when applying or releasing the accelerator pedal.

C

D

E

F

G

H

I

J

K

L

M

N

O

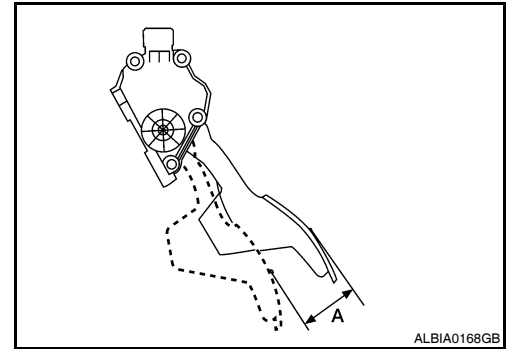
P

ACCELERATOR CONTROL SYSTEM

< ON-VEHICLE REPAIR >

- Check that the accelerator pedal moves through the full specified distance of pedal travel.

Pedal travel (A) : 48.5 - 53.5 mm (1.91 - 2.11 in)



CAUTION:

When the harness connector of the accelerator pedal position sensor is disconnected, perform the "Accelerator pedal released position learning". Refer to [EC-29, "ACCELERATOR PEDAL RELEASED POSITION LEARNING : Special Repair Requirement"](#) (QR25DE for California), [EC-565, "ACCELERATOR PEDAL RELEASED POSITION LEARNING : Special Repair Requirement"](#) (QR25DE except for California), [EC-1053, "ACCELERATOR PEDAL RELEASED POSITION LEARNING : Special Repair Requirement"](#) (VQ35DE).

SERVICE DATA AND SPECIFICATIONS (SDS)

< SERVICE DATA AND SPECIFICATIONS (SDS)

SERVICE DATA AND SPECIFICATIONS (SDS)

SERVICE DATA AND SPECIFICATIONS (SDS)

Accelerator Control

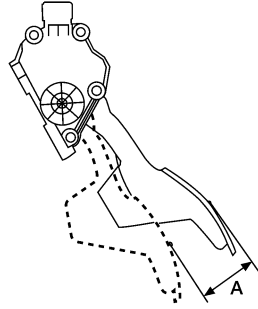
INFOID:000000004205580

A

ACC

PEDAL TRAVEL

C



D

E

F

ALBIA0168GB

Accelerator pedal - total travel (A)

48.5 - 53.5 mm (1.91 - 2.11 in)

G

H

I

J

K

L

M

N

O

P