

SECTION **PWO**  
POWER OUTLET

A  
B  
C  
D  
E  
F  
G  
H  
I  
J  
K  
L  
N  
O  
P

CONTENTS

<b>POWER SOCKET</b>		
<b>PRECAUTION</b> .....	2	
<b>PRECAUTIONS</b> .....	2	
Supplemental Restraint System (SRS) "AIR B AG" and "SEAT BELT PRE-TENSIONER" .....	2	
<b>COMPONENT DIAGNOSIS</b> .....	3	
<b>POWER SOCKET</b> .....	3	
Wiring Diagram .....	3	
<b>ON-VEHICLE REPAIR</b> .....	5	
<b>POWER SOCKET</b> .....	5	
Removal and Installation .....	5	

PWO

## PRECAUTION

### PRECAUTIONS

#### Supplemental Restraint System (SRS) "AIR BAG" and "SEAT BELT PRE-TENSIONER"

INFOID:000000003071798

The Supplemental Restraint System such as "AIR BAG" and "SEAT BELT PRE-TENSIONER", used along with a front seat belt, helps to reduce the risk or severity of injury to the driver and front passenger for certain types of collision. This system includes seat belt switch inputs and dual stage front air bag modules. The SRS system uses the seat belt switches to determine the front air bag deployment, and may only deploy one front air bag, depending on the severity of a collision and whether the front occupants are belted or unbelted. Information necessary to service the system safely is included in the SR and SB section of this Service Manual.

**WARNING:**

- To avoid rendering the SRS inoperative, which could increase the risk of personal injury or death in the event of a collision which would result in air bag inflation, all maintenance must be performed by an authorized NISSAN/INFINITI dealer.
- Improper maintenance, including incorrect removal and installation of the SRS, can lead to personal injury caused by unintentional activation of the system. For removal of Spiral Cable and Air Bag Module, see the SR section.
- Do not use electrical test equipment on any circuit related to the SRS unless instructed to in this Service Manual. SRS wiring harnesses can be identified by yellow and/or orange harnesses or harness connectors.

# POWER SOCKET

< COMPONENT DIAGNOSIS >

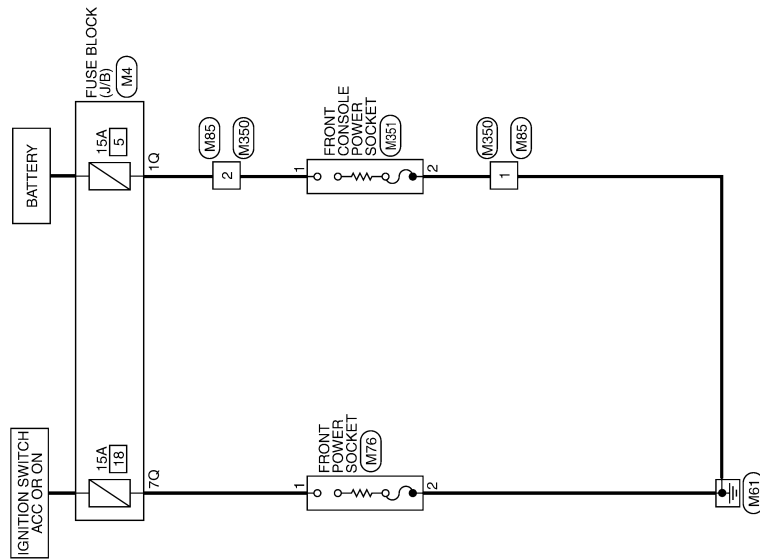
[POWER SOCKET]

## COMPONENT DIAGNOSIS

### POWER SOCKET

#### Wiring Diagram

INFOID:000000003071800



POWER SOCKET

A

B

C

D

E

F

G

H

I

J

K

L

PWO

N

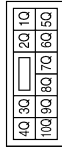
O

P

ALMWA0010GE

POWER SOCKET CONNECTORS

Connector No.	M4
Connector Name	FUSE BLOCK (J/B)
Connector Color	WHITE



Terminal No.	Color of Wire	Signal Name
1Q	R/W	—
7Q	R/B	—

Connector No.	M76
Connector Name	FRONT POWER SOCKET
Connector Color	BLACK



Terminal No.	Color of Wire	Signal Name
1	R/B	+
2	B	GND

Connector No.	M85
Connector Name	WIRE TO WIRE
Connector Color	WHITE



Terminal No.	Color of Wire	Signal Name
1	B	—
2	R/W	—

Connector No.	M350
Connector Name	WIRE TO WIRE
Connector Color	WHITE



Terminal No.	Color of Wire	Signal Name
1	B	—
2	R/W	—

Connector No.	M351
Connector Name	FRONT CONSOLE POWER SOCKET
Connector Color	BLACK



Terminal No.	Color of Wire	Signal Name
1	R/W	+
2	B	GND

## ON-VEHICLE REPAIR

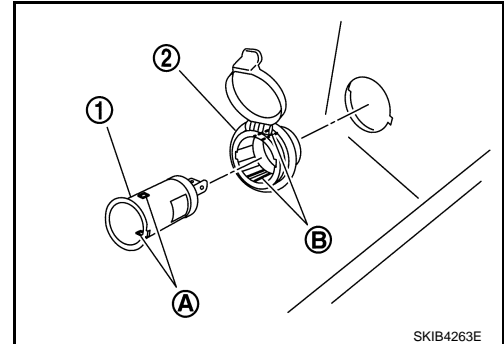
### POWER SOCKET

#### Removal and Installation

INFOID:000000003071801

#### REMOVAL

1. For the power socket in the center console box, remove the center console box. Refer to [JP-11. "Removal and Installation"](#).
2. For the power socket in the instrument panel storage bin, remove the storage bin or CD changer finisher (if equipped). Refer to [IP-11. "Removal and Installation"](#).
3. Remove inner socket (1) from the ring (2) while pressing the hook (B) on the ring (2) out from square hole (A).
4. Remove ring (2) from console box while pressing pawls.



#### INSTALLATION

Installation is in the reverse order of removal.

**CAUTION:**

**Align notches of inner socket and ring, and console box or storage bins when installing.**

A  
B  
C  
D  
E  
F  
G  
H  
I  
J  
K  
L  
P

PWO