

SECTION **EX**  
EXHAUST SYSTEM

A  
EX  
C  
D  
E  
F  
G  
H  
I  
J  
K  
L  
M  
N  
O  
P

CONTENTS

<b>QR25DE</b>	Commercial Service Tool .....	3
<b>PRECAUTION</b> .....	<b>ON-VEHICLE MAINTENANCE</b> .....	4
<b>PRECAUTIONS</b> .....	<b>EXHAUST SYSTEM (QR25DE)</b> .....	4
Supplemental Restraint System SRS "AIR BAG" and "SEAT BELT PRE-TENSIONER" Service .....	Checking Exhaust System .....	4
Precautions For High-Voltage System .....	<b>ON-VEHICLE REPAIR</b> .....	5
<b>PREPARATION</b> .....	<b>EXHAUST SYSTEM (QR25DE)</b> .....	5
<b>PREPARATION</b> .....	Removal and Installation .....	5
Special Service Tool .....	Inspection After Installation .....	6

## PRECAUTION

### PRECAUTIONS

#### Supplemental Restraint System SRS "AIR BAG" and "SEAT BELT PRE-TENSIONER" Service

INFOID:000000003303854

The Supplemental Restraint System such as "AIR BAG" and "SEAT BELT PRE-TENSIONER", used along with a front seat belt, helps to reduce the risk or severity of injury to the driver and front passenger for certain types of collision. This system includes seat belt switch inputs and dual stage front air bag modules. The SRS system uses the seat belt switches to determine the front air bag deployment, and may only deploy one front air bag, depending on the severity of a collision and whether the front occupants are belted or unbelted. Information necessary to service the system safely is included in the SR and SB section of this Service Manual.

**WARNING:**

- To avoid rendering the SRS inoperative, which could increase the risk of personal injury or death in the event of a collision which would result in air bag inflation, all maintenance must be performed by an authorized NISSAN/INFINITI dealer.
- Improper maintenance, including incorrect removal and installation of the SRS, can lead to personal injury caused by unintentional activation of the system. For removal of Spiral Cable and Air Bag Module, see the SR section.
- Do not use electrical test equipment on any circuit related to the SRS unless instructed to in this Service Manual. SRS wiring harnesses can be identified by yellow and/or orange harnesses or harness connectors.

#### Precautions For High-Voltage System

INFOID:000000003069467

Refer to [GI-24, "Precautions For High-Voltage System"](#).

# PREPARATION

< PREPARATION >

[QR25DE]

## PREPARATION

### PREPARATION

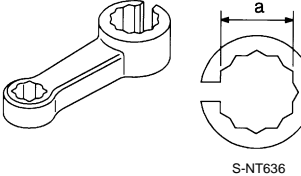
#### Special Service Tool

INFOID:000000003069468

A

EX

The actual shapes of Kent-Moore tools may differ from those of special service tools illustrated here.

Tool number (Kent-Moore No.) Tool name	Description
KV10114400 (J-38365) Heated oxygen sensor wrench  	Loosening or tightening heated oxygen sensors: <b>a: 22 mm (0.87 in)</b>

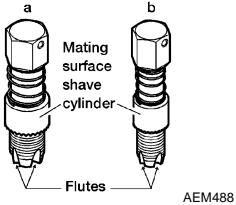

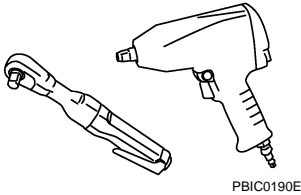
C

D

E

#### Commercial Service Tool

INFOID:000000003069469

(Kent-Moore No.) Tool name	Description
(J-43897-18) (J-43897-12) Oxygen sensor thread cleaner  	Reconditioning the exhaust system threads before installing a new oxygen sensor (Use with anti-seize lubricant shown below): <b>a: J-43897-18 (18 mm dia.) for zirconia oxygen sensor</b> <b>b: J-43897-12 (12 mm dia.) for titania oxygen sensor</b>
Anti-seize lubricant (Permatex 133AR or equivalent meeting MIL specification MIL-A-907)  	Lubricating oxygen sensor thread cleaning tool when reconditioning exhaust system threads
Power tool  	Loosening nuts and bolts

F

G

H

I

J

K

L

M

N

O

P

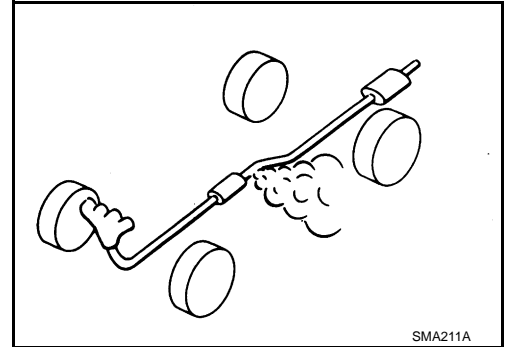
## ON-VEHICLE MAINTENANCE

### EXHAUST SYSTEM (QR25DE)

#### Checking Exhaust System

INFOID:000000003069470

Check the exhaust pipes, muffler, and mounting components for incorrect attachment, leaks, cracks, damage, or deterioration.



SMA211A

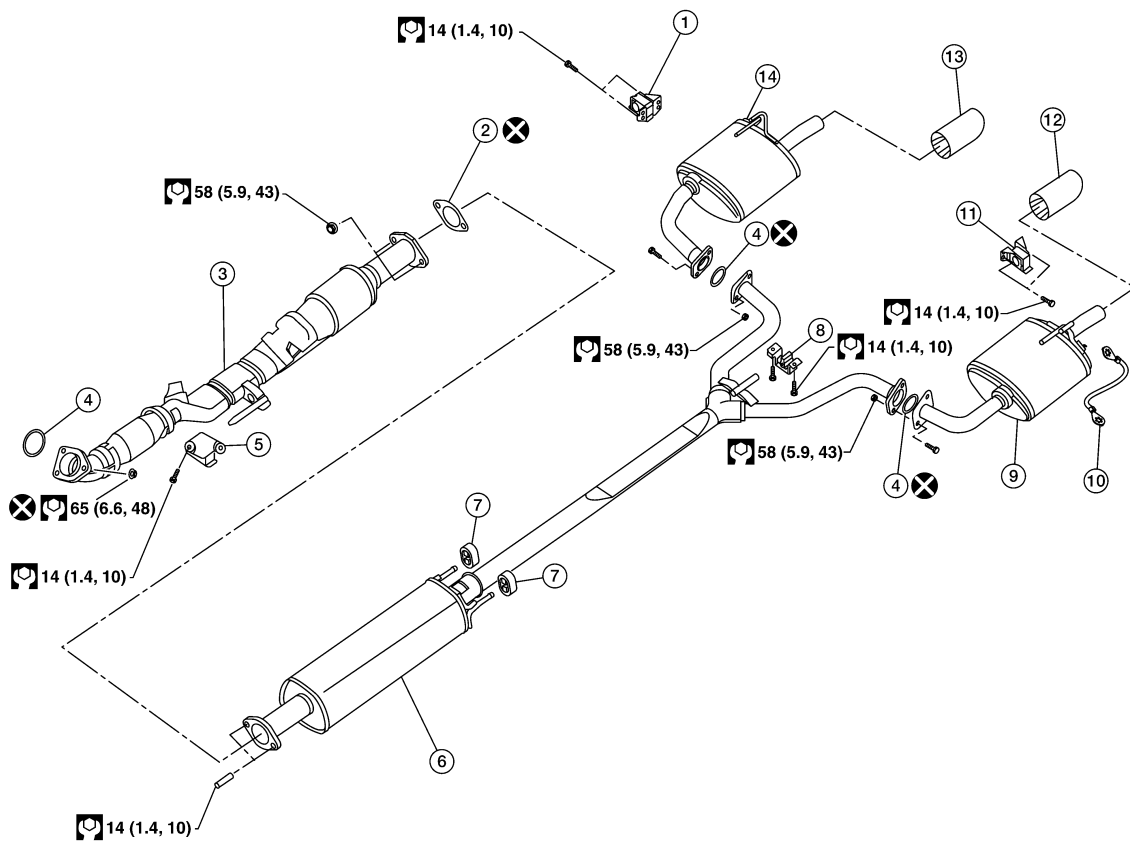
## ON-VEHICLE REPAIR

### EXHAUST SYSTEM (QR25DE)

#### Removal and Installation

INFOID:000000003069471

SEC. 200



- |                            |                               |                        |
|----------------------------|-------------------------------|------------------------|
| 1. RH rear muffler bracket | 2. Gasket                     | 3. Front exhaust tube  |
| 4. Ring gasket             | 5. Front exhaust tube hanger  | 6. Center exhaust tube |
| 7. Mounting rubber         | 8. Center exhaust tube hanger | 9. LH rear muffler     |
| 10. Ground strap           | 11. LH rear muffler bracket   | 12. LH muffler tip     |
| 13. RH muffler tip         | 14. RH rear muffler           |                        |

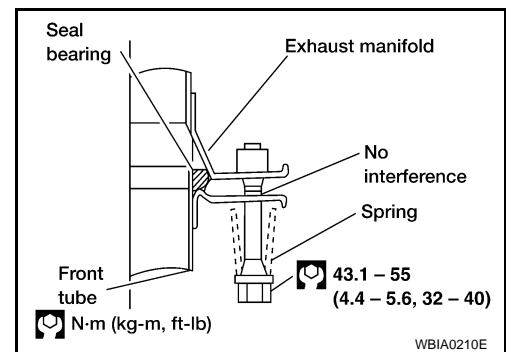
# EXHAUST SYSTEM (QR25DE)

< ON-VEHICLE REPAIR >

[QR25DE]

## CAUTION:

- Use genuine NISSAN exhaust system parts or equivalent, which are specifically designed for heat resistance, corrosion resistance, and shape.
- Perform the procedure with the exhaust system fully cooled down because the system will be hot just after the Hybrid System is turned OFF.
- Be careful not to cut your hand on the insulator edges.
- If the insulator is badly deformed, repair or replace it. If deposits such as mud pile up on the insulator, clean and inspect the insulator.
- When installing the insulator avoid large gaps or interference between the insulator and each exhaust pipe.
- Remove deposits from the sealing surface of each connection. Connect them securely to avoid exhaust gas leaks.
- Temporarily tighten the exhaust manifold side nuts and the vehicle side bolts. Check each part for any interference, and then tighten the nuts and bolts to specification.
- When installing each mounting rubber, avoid twisting or excessive extension in up/down and right/left directions.
- Tighten the bolts without causing interference with the flange.
- Insert the seal bearing in the direction as shown. Tighten the bolt with the big end of the spring facing the flange as shown.



## Inspection After Installation

INFOID:000000003069472

- With the Hybrid System ON and the engine running, check the exhaust tube joints for exhaust gas leaks and abnormal noise.
- Check that the mounting brackets and mounting insulators are installed properly and free from excessive stress. Improper installation could result in excessive noise, leaks, and vibration.