

A
LU
C
D
E
F
G
H
I
J
K
L
M
N
O
P

SECTION LU

ENGINE LUBRICATION SYSTEM

CONTENTS

<p style="text-align: center;">QR25DE</p> <p>PRECAUTION 3</p> <p>PRECAUTIONS 3 Precaution for Liquid Gasket3</p> <p>PREPARATION 4</p> <p>PREPARATION 4 Special Service Tool4 Commercial Service Tool4</p> <p>FUNCTION DIAGNOSIS 6</p> <p>LUBRICATION SYSTEM 6 Lubrication Circuit6 Schematic6</p> <p>ON-VEHICLE MAINTENANCE 8</p> <p>ENGINE OIL 8 Inspection8 Changing Engine Oil9</p> <p>OIL FILTER10 Removal and Installation 10</p> <p>ON-VEHICLE REPAIR11</p> <p>OIL PUMP11 Removal and Installation 11 Disassembly and Assembly 11</p> <p>OIL COOLER14 Removal and Installation 14</p> <p>SERVICE DATA AND SPECIFICATIONS (SDS)15</p> <p>SERVICE DATA AND SPECIFICATIONS (SDS)15 Oil Pressure 15</p>	<p>Oil Pump15 Regulator Valve15 Oil Capacity15</p> <p style="text-align: center;">VQ35DE</p> <p>PRECAUTION 16</p> <p>PRECAUTIONS 16 Precaution for Liquid Gasket16</p> <p>PREPARATION 17</p> <p>PREPARATION 17 Special Service Tool17 Commercial Service Tool17</p> <p>FUNCTION DIAGNOSIS 19</p> <p>LUBRICATION SYSTEM 19 Lubrication Circuit19 Schematic19</p> <p>ON-VEHICLE MAINTENANCE 20</p> <p>ENGINE OIL 20 Inspection20 Changing Engine Oil21</p> <p>OIL FILTER 22 Removal and Installation 22</p> <p>ON-VEHICLE REPAIR 23</p> <p>OIL PUMP 23 Removal and Installation23 Disassembly and Assembly23</p> <p>OIL COOLER 26 Removal and Installation26</p> <p>SERVICE DATA AND SPECIFICATIONS (SDS) 28</p>
--	---

SERVICE DATA AND SPECIFICATIONS

(SDS)	28
Oil Pressure	28

Regulator Valve	28
Oil Pump	28
Oil Capacity	28

PRECAUTION

PRECAUTIONS

Precaution for Liquid Gasket

INFOID:000000000990348

A

LU

REMOVAL OF LIQUID GASKET SEALING

- After removing nuts and bolts, separate the mating surface, using Tool and remove old liquid gasket sealing.

Tool number : KV10111100 (J-37228)

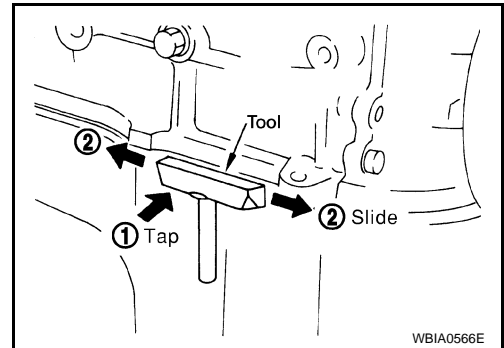
CAUTION:

Be careful not to damage the mating surfaces.

- Tap Tool to insert it, and then slide it by tapping on the side as shown.
- In areas where Tool is difficult to use, use plastic hammer to lightly tap the parts, to remove it.

CAUTION:

If for some unavoidable reason suitable tool such as screwdriver is used, be careful not to damage the mating surfaces.



C

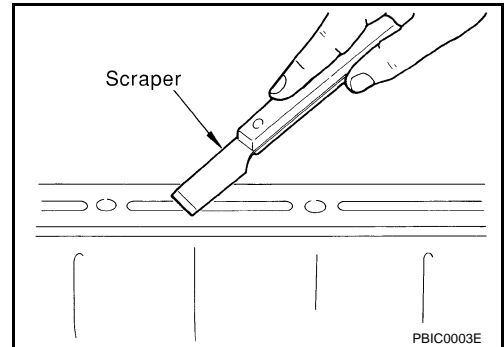
D

E

F

LIQUID GASKET APPLICATION PROCEDURE

1. Remove old liquid gasket adhering to the liquid gasket application surface and the mating surface, Using scraper.
 - Remove liquid gasket completely from the groove of the liquid gasket application surface, bolts, and bolt holes.
2. Thoroughly clean the mating surfaces and remove adhering moisture, grease and foreign materials.



G

H

I

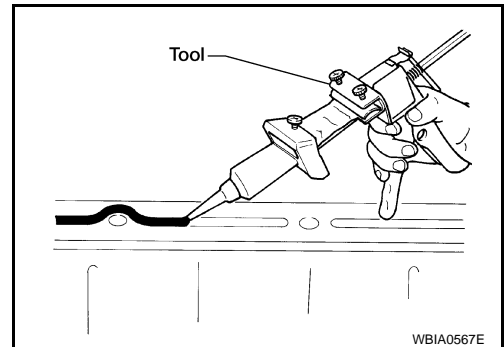
J

3. Attach liquid gasket tube to Tool.

Tool number : WS39930000 (—)

Use Genuine RTV Silicone Sealant or equivalent. Refer to GI-15, "Recommended Chemical Products and Sealants".

4. Apply liquid gasket without breaks to the specified location with the specified dimensions.
 - If there is a groove for the liquid gasket application, apply liquid gasket to the groove.



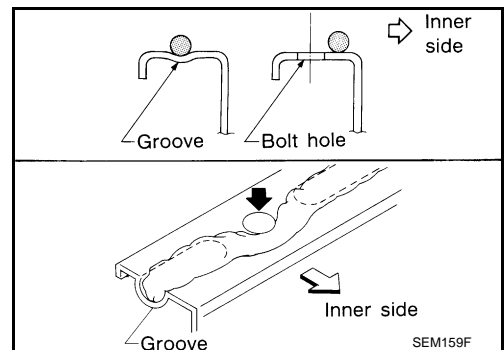
K

L

M

N

- As for the bolt holes, normally apply liquid gasket inside the holes. Occasionally, it should be applied outside the holes. Make sure to read the text of service manual.
- Within five minutes of liquid gasket application, install the mating component.
- If liquid gasket protrudes, wipe it off immediately.
- Do not retighten nuts or bolts after the installation.
- After 30 minutes or more have passed from the installation, fill engine oil and engine coolant.



O

P

CAUTION:

If there are specific instructions in this manual, observe them.

PREPARATION

< PREPARATION >

[QR25DE]

PREPARATION

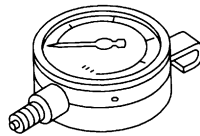
PREPARATION

Special Service Tool

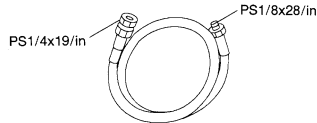
INFOID:000000000990349

The actual shape of the Kent-Moore tools may differ from those tools illustrated here.

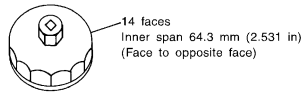
Tool number (Kent Moore No.) Tool name	Description
ST25051001 (J-25695-1) Oil pressure gauge	Measuring oil pressure Maximum measuring range: 2,452 kPa (25 kg/cm², 356 psi)
ST25052000 (J-25695-2) Hose	Adapting oil pressure gauge to cylinder block
KV10115801 (J-38956) Oil filter wrench	Removing and installing oil filter
KV10111100 (J-37228) Seal cutter	Removing steel oil pan and rear timing chain case
WS39930000 (—) Tube presser	Pressing the tube of liquid gasket



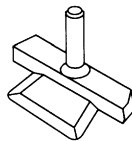
S-NT050



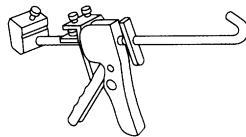
S-NT559



S-NT772



S-NT046



S-NT052

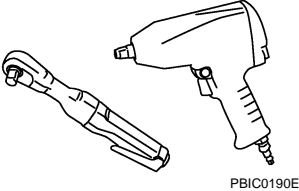
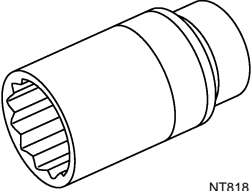
Commercial Service Tool

INFOID:000000000990350

PREPARATION

< PREPARATION >

[QR25DE]

Tool name	Description
<p data-bbox="162 197 272 222">Power tool</p>  <p data-bbox="852 415 922 432">FBIC0190E</p>	<p data-bbox="1015 197 1263 222">Loosening bolts and nuts</p>
<p data-bbox="162 449 289 474">Deep socket</p>  <p data-bbox="852 667 896 684">NT818</p>	<p data-bbox="1015 449 1453 506">Removing and installing oil pressure sensor Deep socket 26 mm, 3/8 drive</p>

A

LU

C

D

E

F

G

H

I

J

K

L

M

N

O

P

LUBRICATION SYSTEM

< FUNCTION DIAGNOSIS >

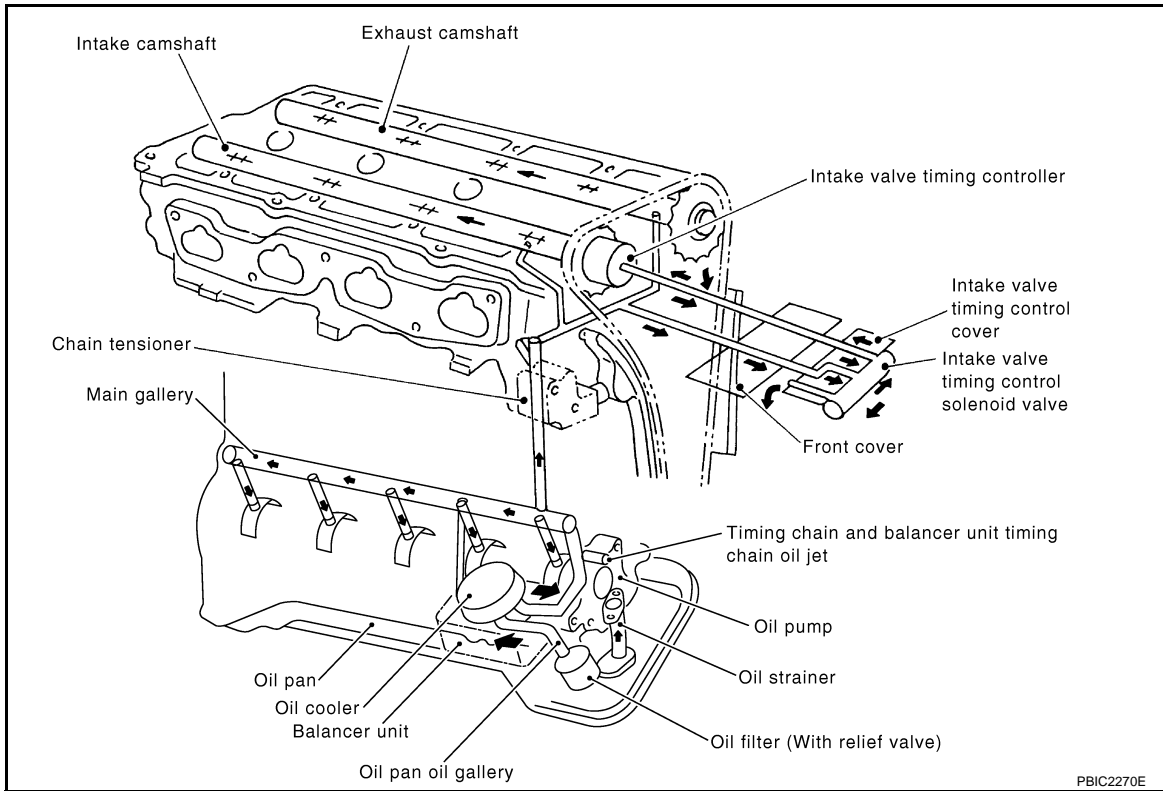
[QR25DE]

FUNCTION DIAGNOSIS

LUBRICATION SYSTEM

Lubrication Circuit

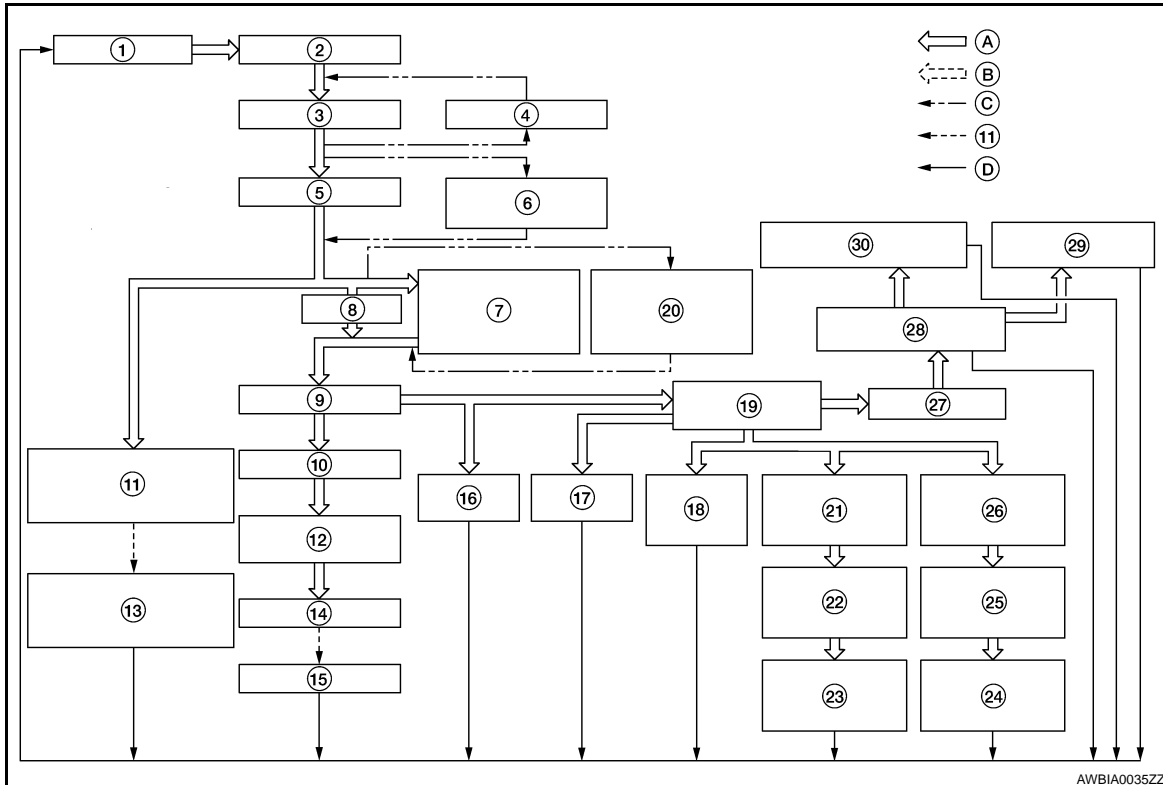
INFOID:000000000990351



PBIC2270E

Schematic

INFOID:000000000990352



AWBIA0035ZZ

LUBRICATION SYSTEM

< FUNCTION DIAGNOSIS >

[QR25DE]

- | | | | |
|---|---|--|----|
| 1. Oil pan | 2. Oil strainer | 3. Oil pump | A |
| 4. Regulator valve | 5. Oil filter | 6. Relief valve (Built in oil filter) | |
| 7. Oil cooler | 8. Bypass | 9. Main gallery | |
| 10. Main bearing | 11. Timing chain and balancer unit timing chain oil jet | 12. Connecting rod bearing | LU |
| 13. Timing chain and balancer unit timing chain | 14. Connecting rod | 15. Piston | |
| 16. Balancer unit | 17. Chain tensioner | 18. Camshaft bracket (No.1) | C |
| 19. Cylinder head oil gallery | 20. Relief valve | 21. Intake camshaft bracket (No.2) | |
| 22. Intake camshaft oil passage | 23. Intake camshaft journal | 24. Exhaust camshaft journal | D |
| 25. Exhaust camshaft oil passage | 26. Exhaust camshaft bracket (No.2) | 27. Front cover | |
| 28. Intake valve timing control cover | 29. Intake valve timing controller | 30. Intake valve timing control solenoid valve | E |
| A. Oil passage | B. Return oil passage | C. Bypass | |
| D. To oil pan | | | F |
| | | | G |
| | | | H |
| | | | I |
| | | | J |
| | | | K |
| | | | L |
| | | | M |
| | | | N |
| | | | O |
| | | | P |

ON-VEHICLE MAINTENANCE

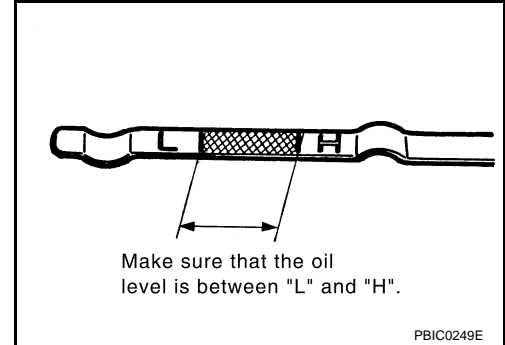
ENGINE OIL

Inspection

INFOID:000000000990353

OIL LEVEL

- Before starting the engine, check the oil level. If the engine is already started, stop it and allow 10 minutes before checking.
- Check that the oil level is within the range on the dipstick.
- If it is out of range, add oil as necessary. Refer to [LU-8. "Inspection"](#).



ENGINE OIL APPEARANCE

- Check engine oil for white milky or excessive contamination.
- If engine oil becomes milky, it is highly probable that it is contaminated with engine coolant. Repair or replace damaged parts.

OIL LEAKAGE

Check for oil leakage around the following areas:

- Oil pan
- Oil pan drain plug
- Oil pressure sensor
- Oil filter
- IVTC cover
- Front cover
- Mating surface between cylinder block and cylinder head
- Mating surface between cylinder head and rocker cover
- Crankshaft oil seal

OIL PRESSURE CHECK

WARNING:

- **Be careful not to burn yourself, as engine oil may be hot.**
- **For M/T models, put the gearshift lever in the Neutral "N" position. For CVT models, put the selector lever in the Park "P" position.**

1. Check engine oil level. Refer to [LU-8. "Inspection"](#).
2. Remove undercover using power tool.
3. Disconnect oil pressure sensor harness connector at oil pressure sensor, and remove oil pressure sensor.

CAUTION:

Do not drop or shock oil pressure sensor.

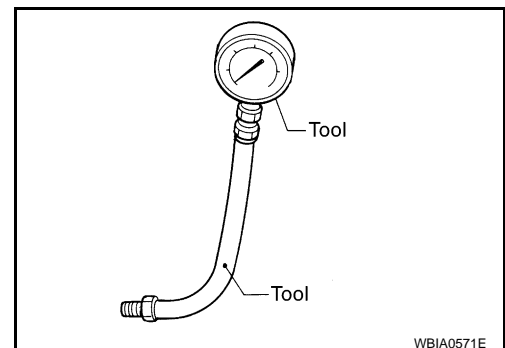
4. Start engine and warm it up to normal operating temperature.
5. Check oil pressure with engine running under no-load, using Tool

Tool numbers : ST25051001 (J-25695-1)

: ST25052000 (J-25695-2)

NOTE:

When engine oil temperature is low, engine oil pressure becomes high.



ENGINE OIL

< ON-VEHICLE MAINTENANCE >

[QR25DE]

Engine oil pressure [Oil temperature 80 °C (176 °F)]			
Engine speed (rpm)	Idle speed	2,000	6,000
Engine pressure kPa (kg/cm ² , psi)	Approx. 98 (1.0, 14) or more	Approx. 294 (3.0, 43) or more	Approx. 392 (4.0, 57) or more

If difference is extreme, check oil passage and oil pump for oil leaks.

6. After the inspections, install oil pressure sensor as follows:
 - a. Remove old liquid gasket adhering to oil pressure sensor and engine.
 - b. Apply liquid gasket and tighten oil pressure sensor to the specification.

Use Genuine RTV Silicone Sealant or equivalent. Refer to [GI-15. "Recommended Chemical Products and Sealants"](#).

Oil pressure sensor torque : 14.7 N·m (1.5 kg·m, 11 ft·lb)

- c. After warming up engine, make sure there is no leakage of engine oil with running engine.

Changing Engine Oil

INFOID:00000000990354

WARNING:

- **Be careful not to burn yourself, as the engine oil may be hot.**
- **Prolonged and repeated contact with used engine oil may cause skin cancer: try to avoid direct skin contact with used oil. If skin contact is made, wash thoroughly with soap or hand cleaner as soon as possible.**

1. Position the vehicle so it is level on the hoist.
2. Warm up the engine, and check for oil leaks from the engine.
3. Stop engine and wait for 10 minutes.
4. Remove the oil pan drain plug and oil filler cap.
5. Drain the engine oil.
6. Install the oil pan drain plug with a new washer and refill the engine with new engine oil.
 - Oil specification and viscosity. Refer to [MA-11. "Fluids and Lubricants"](#).

Oil Capacity (Approximate)

Drain and refill	With oil filter change	4.6 ℓ (4 7/8 US qt, 4 Imp qt)
	Without oil filter change	4.3 ℓ (4 1/2 US qt, 3 3/4 Imp qt)
Dry engine (engine overhaul)		5.4 ℓ (5 3/4 US qt, 4 3/4 Imp qt)

CAUTION:

- **Be sure to clean the drain plug and install using a new washer.**

Oil pan drain plug : 34.3 N·m (3.5 kg·m, 25 ft·lb)

- **The refill capacity depends on the oil temperature and drain time. Use these specifications for reference only. Always use the dipstick to determine when the proper amount of oil is in the engine.**

7. Warm up the engine and check the area around the drain plug and oil filter for oil leakage.
8. Stop the engine and wait for 10 minutes.
9. Check the oil level using the dipstick.

CAUTION:

Do not overfill the engine oil.

OIL FILTER

Removal and Installation

INFOID:00000000990355

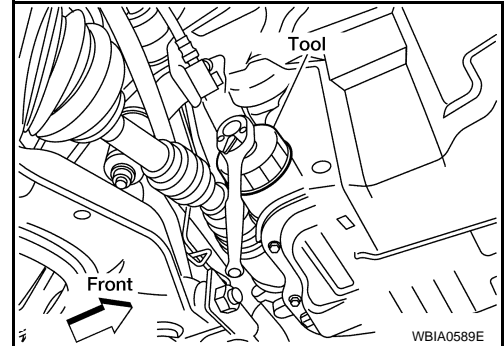
REMOVAL

1. Remove the oil filter using Tool.

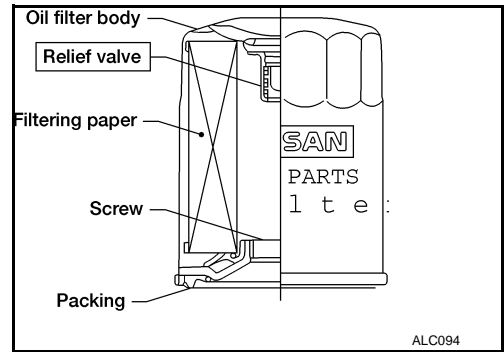
Tool number : KV10115801 (J-38956)

CAUTION:

- Be careful not to get burned when the engine and engine oil are hot.
- When removing, prepare a shop cloth to absorb any oil leakage or spillage.
- Do not allow engine oil to adhere to the drive belts.
- Completely wipe off any oil that adheres to the engine and the vehicle.

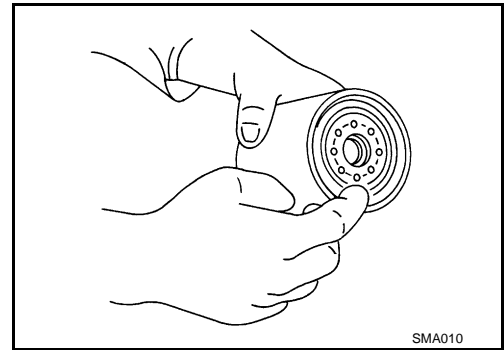


- The oil filter has a built in pressure relief valve. Use a genuine NISSAN oil filter or equivalent



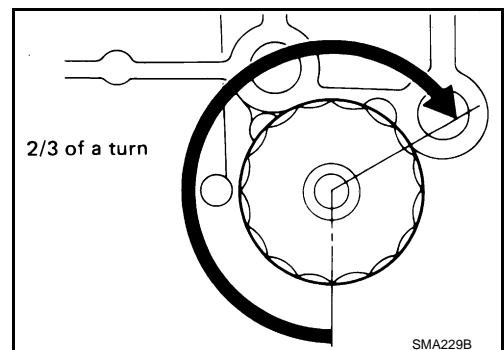
INSTALLATION

1. Clean off any foreign materials adhering to the oil filter installation surface.
2. Apply engine oil to the oil seal surface of the new oil filter.



3. Screw the oil filter manually until it touches the installation surface, then tighten it by 2/3 turn. Or tighten to specification below.

Oil filter : 17.6 N-m (1.8 kg-m, 13 ft-lb)



4. Check oil level and add engine oil as necessary. Refer to [LU-8](#).
5. After warming up the engine, check for oil leaks.

ON-VEHICLE REPAIR

OIL PUMP

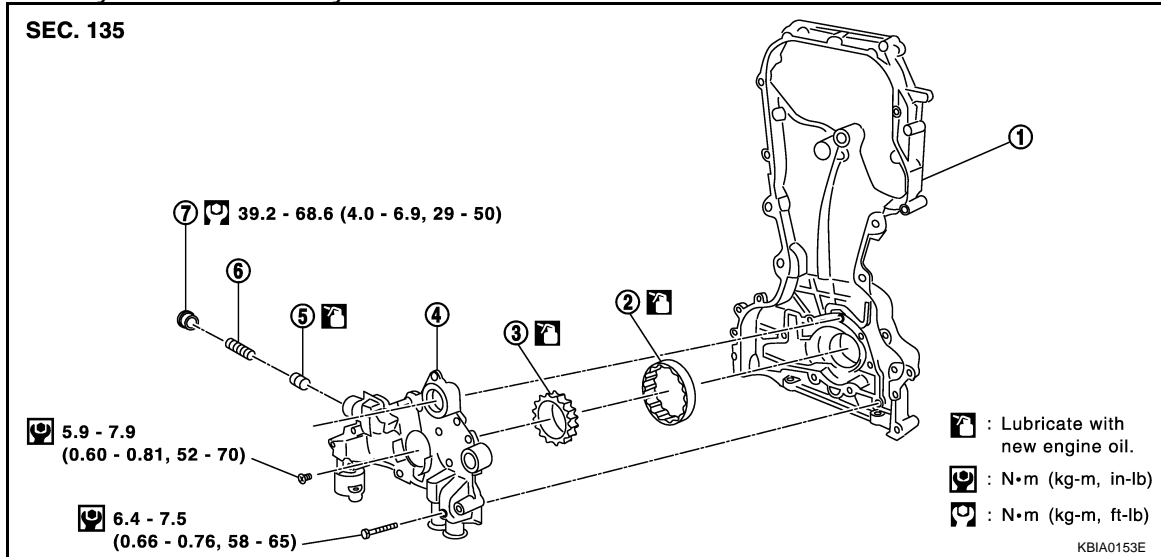
Removal and Installation

INFOID:000000000990356

- Remove the front cover. Refer to [EM-51, "Removal and Installation"](#).

Disassembly and Assembly

INFOID:000000000990357



- | | | |
|-------------------|--------------------|----------------|
| 1. Front cover | 2. Outer rotor | 3. Inner rotor |
| 4. Oil pump cover | 5. Regulator valve | 6. Spring |
| 7. Regulator plug | | |

CAUTION:

Before installation, apply new engine oil to the parts as instructed in the figure above.

DISASSEMBLY

1. Remove the oil pump cover.
2. Remove inner rotor and outer rotor from front cover.
3. After removing regulator plug, remove regulator spring and regulator valve.

INSPECTION AFTER DISASSEMBLY

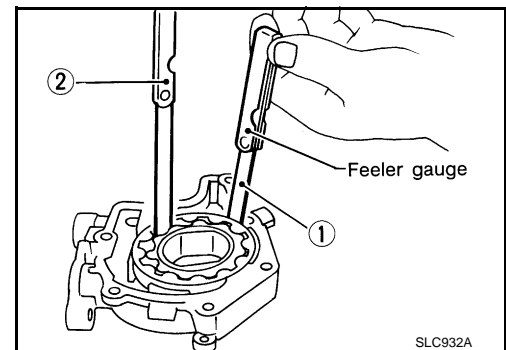
Measure the clearance of the oil pump parts.

- Measure clearance with feeler gauge.
- Clearance between outer rotor and oil pump body (position 1).

Standard : 0.114 - 0.179 mm (0.0045 - 0.0070 in)

- Tip clearance between inner rotor and outer rotor (position 2).

Standard : 0.170 - 0.220 mm (0.0067 - 0.0087 in)



OIL PUMP

[QR25DE]

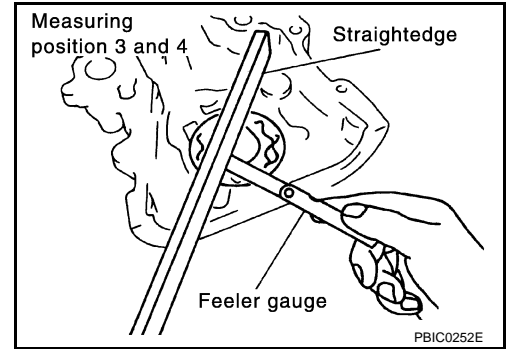
< ON-VEHICLE REPAIR >

- Measure clearance with feeler gauge and straightedge.
- Side clearance between inner rotor and oil pump body (position 3).

Standard : 0.030 - 0.070 mm (0.0012 - 0.0028 in)

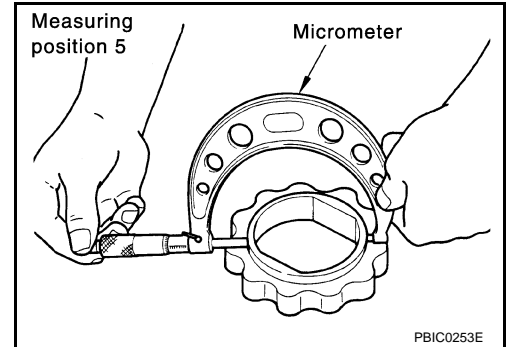
- Side clearance between outer rotor and oil pump body (position 4).

Standard : 0.060 - 0.110 mm (0.0024 - 0.0043 in)



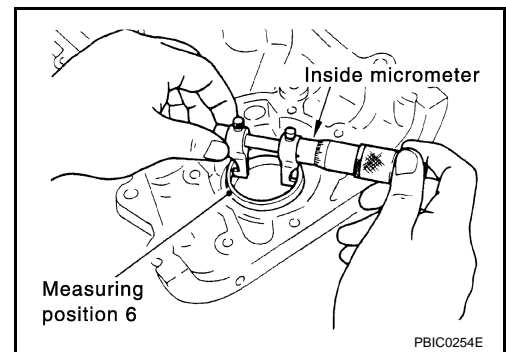
- Calculate the clearance between inner rotor and oil pump body as follows:

1. Measure the outer diameter of protruded portion of inner rotor (Position 5).



2. Measure the inner diameter of oil pump body with inside micrometer (Position 6).
(Clearance) = (Inner diameter of oil pump body) – (Outer diameter of inner rotor).

Standard : 0.035 - 0.070 mm (0.0014 - 0.0028 in)



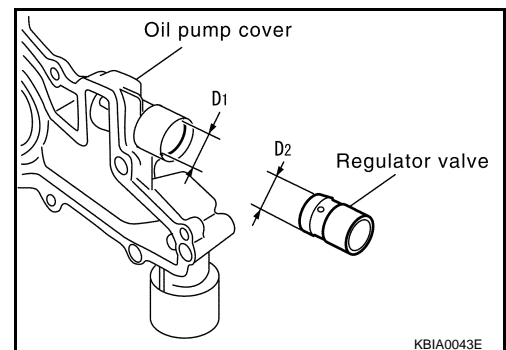
- Regulator valve clearance:
(Clearance) = D1 (Valve hole diameter) – D2 (Outer diameter of valve)

Standard : 0.040 - 0.097 mm (0.0016 - 0.0038 in)

CAUTION:

Coat regulator valve with engine oil.

Check that it falls smoothly into the valve hole by its own weight.



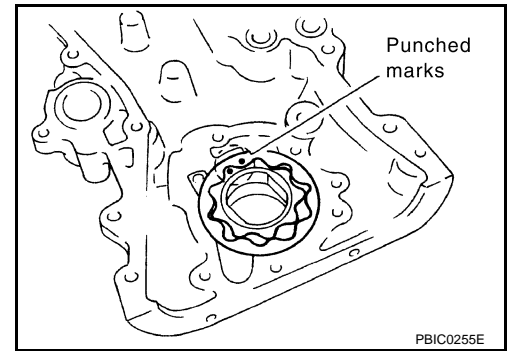
ASSEMBLY

OIL PUMP

[QR25DE]

< ON-VEHICLE REPAIR >

- Assembly is in the reverse order of disassembly.
- Install the inner rotor and outer rotor with the punched marks on the oil pump cover side.



A

LU

C

D

E

F

G

H

I

J

K

L

M

N

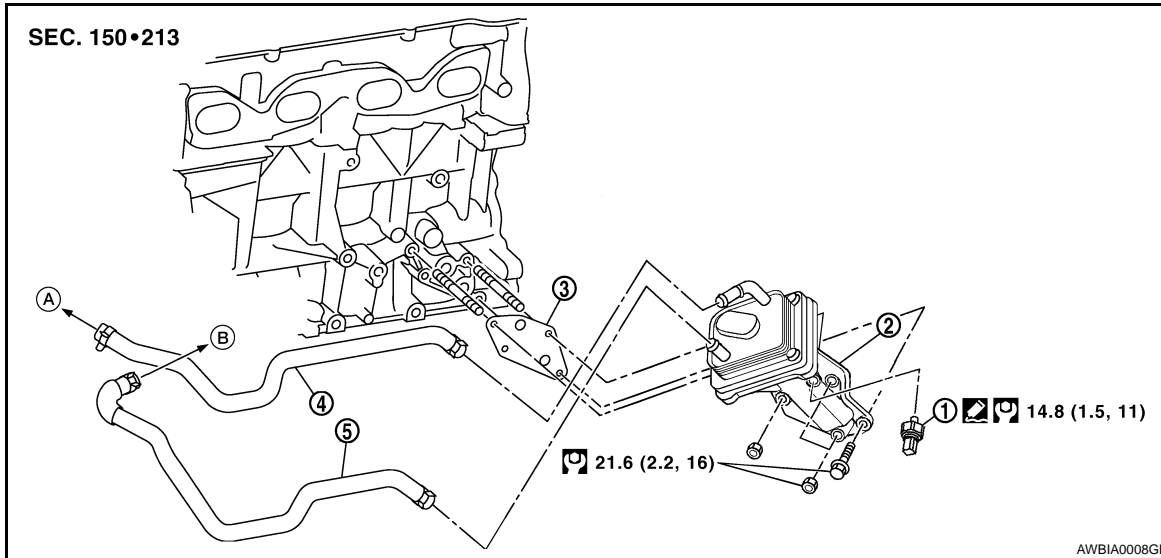
O

P

OIL COOLER

Removal and Installation

INFOID:000000000990358



- | | | |
|------------------------|---------------|-----------|
| 1. Oil pressure sensor | 2. Oil cooler | 3. Gasket |
| 4. Water hose | 5. Water hose | |

WARNING:

Be careful not to get burned when engine coolant and engine oil may be hot.

CAUTION:

- When removing oil cooler, prepare a shop cloth to absorb any engine oil leakage or spillage.
- Completely wipe off any engine oil that adheres to the engine and the vehicle.

REMOVAL

1. Drain engine oil. Refer to [LU-9, "Changing Engine Oil"](#).
2. Drain engine coolant. Refer to [CO-12, "Changing Engine Coolant"](#).

CAUTION:

Do not spill coolant on the drive belt.

3. Disconnect water hoses from oil cooler.

NOTE:

For reference when installing, put matching mark on oil cooler.

4. Remove oil cooler.

INSPECTION AFTER REMOVAL

1. Check oil cooler for cracks.
2. Check oil cooler for clogging by blowing through coolant inlet. If necessary, replace oil cooler assembly.

INSTALLATION

- Installation is in reverse order of removal.

INSPECTION AFTER INSTALLATION

Start engine and check there are no leaks of engine oil or coolant.

SERVICE DATA AND SPECIFICATIONS (SDS)

< SERVICE DATA AND SPECIFICATIONS (SDS)

[QR25DE]

SERVICE DATA AND SPECIFICATIONS (SDS)

SERVICE DATA AND SPECIFICATIONS (SDS)

Oil Pressure

INFOID:000000000990359

LU

Engine speed rpm	Approximate discharge pressure kPa (kg/cm ² , psi)
Idle speed	More than 98 (1.0, 14)
2,000	294 (3.0, 43)
6,000	392 (4.0, 57)

Oil Pump

INFOID:000000000990360

Unit: mm (in)

Body to outer rotor radial clearance	0.114 - 0.179 (0.0045 - 0.0070)
Inner rotor to outer rotor tip clearance	0.170 - 0.220 (0.0067 - 0.0087)
Body to inner rotor axial clearance	0.030 - 0.070 (0.0012 - 0.0028)
Body to outer rotor axial clearance	0.060 - 0.110 (0.0024 - 0.0043)
Inner rotor to brazed portion of housing clearance	0.035 - 0.070 (0.0014 - 0.0028)

Regulator Valve

INFOID:000000000990361

Unit: mm (in)

Regulator valve to oil pump cover clearance	0.040 - 0.097 (0.0016 - 0.0038)
---	---------------------------------

Oil Capacity

INFOID:000000000990362

Unit: ℓ (US qt, Imp qt)

Drain and refill	With oil filter change	Approximately 4.6 (4 7/8, 4)
	Without oil filter change	Approximately 4.3 (4 1/2, 3 3/4)
Dry engine (engine overhaul)		Approximately 5.4 (5 3/4, 4 3/4)

PRECAUTIONS

< PRECAUTION >

[VQ35DE]

PRECAUTION

PRECAUTIONS

Precaution for Liquid Gasket

INFOID:000000000990363

REMOVAL OF LIQUID GASKET SEALING

- After removing nuts and bolts, separate the mating surface, using Tool and remove old liquid gasket sealing.

Tool number : KV10111100 (J-37228)

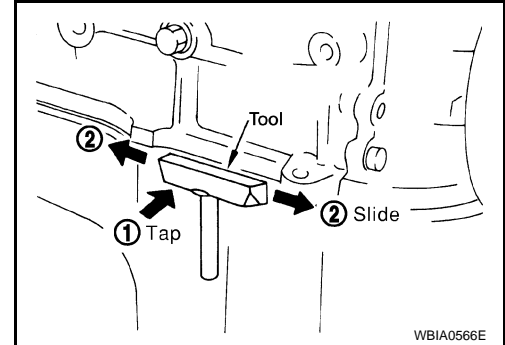
CAUTION:

Be careful not to damage the mating surfaces.

- Tap Tool to insert it, and then slide it by tapping on the side as shown.
- In areas where Tool is difficult to use, use plastic hammer to lightly tap the parts, to remove it.

CAUTION:

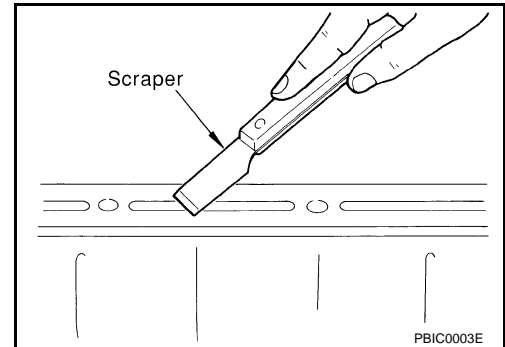
If for some unavoidable reason suitable tool such as screwdriver is used, be careful not to damage the mating surfaces.



WBIA0566E

LIQUID GASKET APPLICATION PROCEDURE

1. Remove old liquid gasket adhering to the liquid gasket application surface and the mating surface, Using scraper.
 - Remove liquid gasket completely from the groove of the liquid gasket application surface, bolts, and bolt holes.
2. Thoroughly clean the mating surfaces and remove adhering moisture, grease and foreign materials.



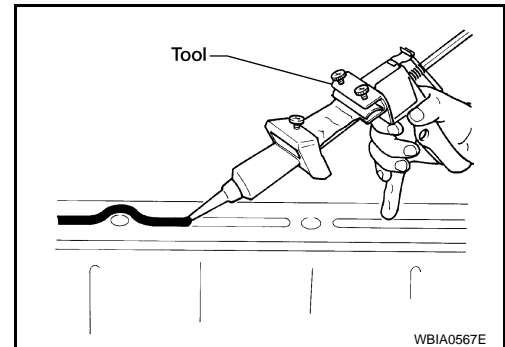
PBIC0003E

3. Attach liquid gasket tube to Tool.

Tool number : WS39930000 (—)

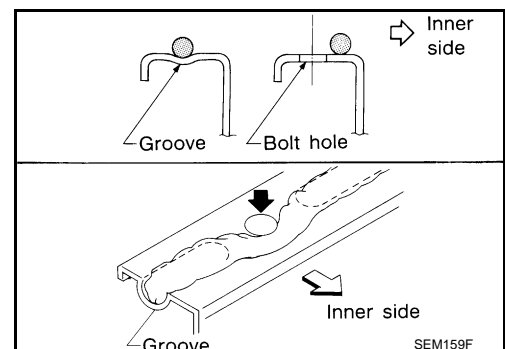
Use Genuine RTV Silicone Sealant or equivalent. Refer to [GI-15, "Recommended Chemical Products and Sealants"](#).

4. Apply liquid gasket without breaks to the specified location with the specified dimensions.
 - If there is a groove for the liquid gasket application, apply liquid gasket to the groove.



WBIA0567E

- As for the bolt holes, normally apply liquid gasket inside the holes. Occasionally, it should be applied outside the holes. Make sure to read the text of service manual.
- Within five minutes of liquid gasket application, install the mating component.
- If liquid gasket protrudes, wipe it off immediately.
- Do not retighten nuts or bolts after the installation.
- After 30 minutes or more have passed from the installation, fill engine oil and engine coolant.



SEM159F

CAUTION:

If there are specific instructions in this manual, observe them.

PREPARATION

< PREPARATION >

[VQ35DE]

PREPARATION

PREPARATION

Special Service Tool

INFOID:000000000990364

A

LU

The actual shapes of Kent-Moore tools may differ from those of special service tools illustrated here.

Tool number (Kent-Moore No.) Tool name	Description
ST25051001 (J-25695-1) Oil pressure gauge	Measuring oil pressure Maximum measuring range: 2,452 kPa (25 kg-cm², 356 psi)
ST25052000 (J-25695-2) Hose	Adapting oil pressure gauge to upper oil pan
KV10115801 (J-38956) Oil filter wrench	Removing and installing oil filter
KV10111100 (J-37228) Seal cutter	Removing steel oil pan and rear timing chain case
WS39930000 (—) Tube presser	Pressing the tube of liquid gasket

C

D

E

F

G

H

I

J

K

L

M

N

O

P

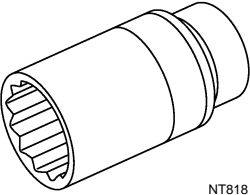
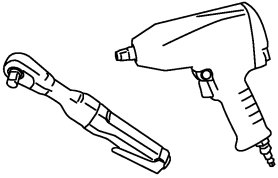
Commercial Service Tool

INFOID:000000000990365

PREPARATION

< PREPARATION >

[VQ35DE]

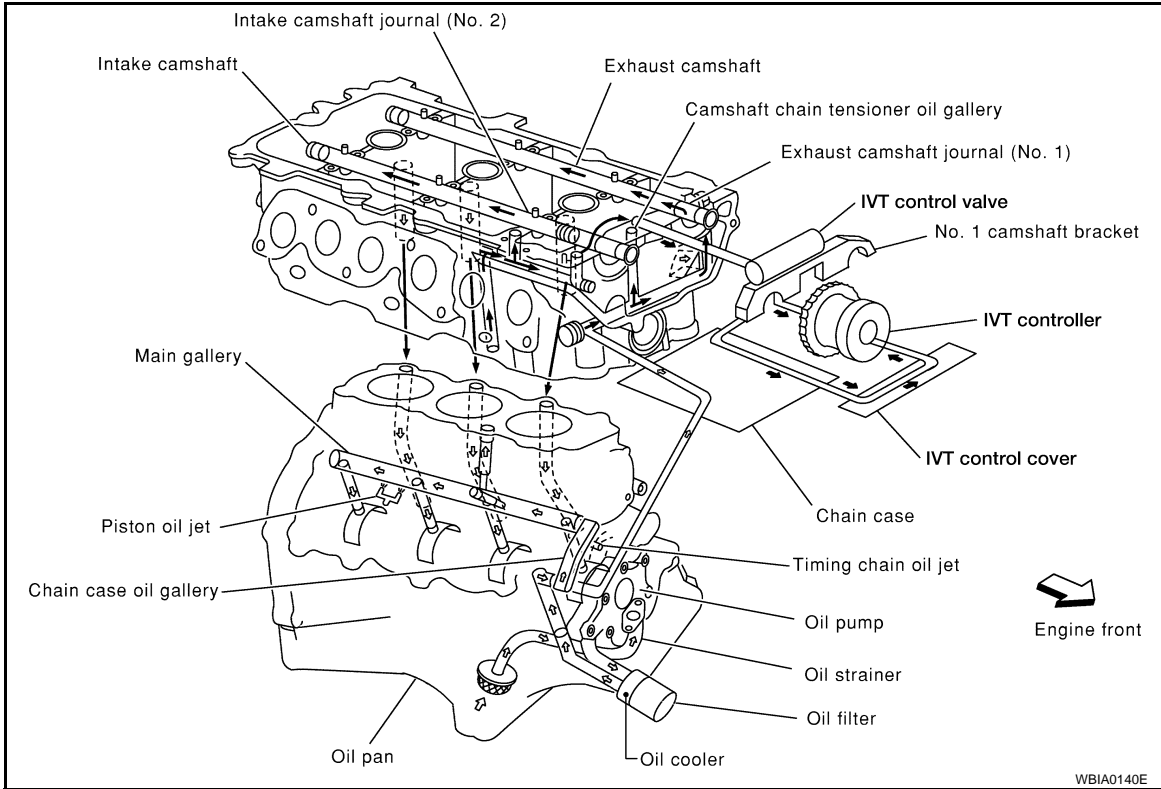
Tool name	Description
<p data-bbox="164 197 293 222">Deep socket</p>  <p data-bbox="850 415 894 432">NT818</p>	<p data-bbox="1013 197 1446 254">Removing and installing oil pressure switch Deep socket 26 mm, 3/8 drive</p>
<p data-bbox="164 449 285 474">Power tools</p>  <p data-bbox="850 667 922 684">PBIC0190E</p>	<p data-bbox="1013 449 1263 474">Loosening nuts and bolts</p>

FUNCTION DIAGNOSIS

LUBRICATION SYSTEM

Lubrication Circuit

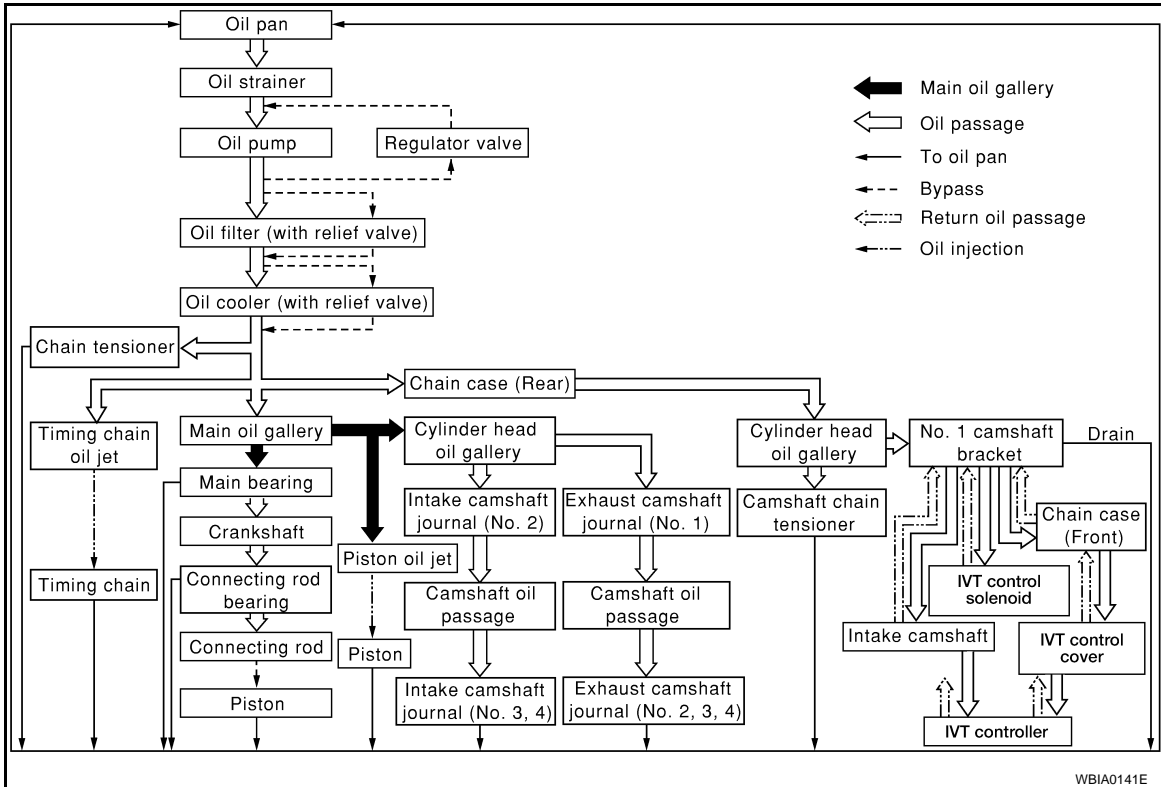
INFOID:000000000990366



WBIA0140E

Schematic

INFOID:000000000990367



WBIA0141E

ON-VEHICLE MAINTENANCE

ENGINE OIL

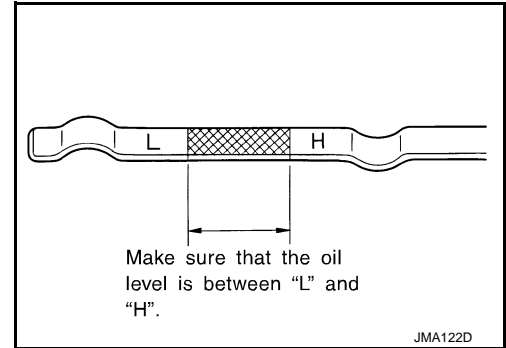
Inspection

INFOID:000000000990368

OIL LEVEL

NOTE:

- Before starting the engine, check the oil level. If the engine is already started, stop it and allow 10 minutes before checking.
- Check that the oil level is within the range as indicated on the dipstick.
- If it is out of range, add oil as necessary. Refer to [LU-20](#).



ENGINE OIL APPEARANCE

- Check engine oil for white milky or excessive contamination.
- If engine oil becomes milky, it is highly probable that it is contaminated with engine coolant. Repair or replace damaged parts.

OIL LEAKAGE

Check for oil leakage around the following areas:

- Oil pan
- Oil pan drain plug
- Oil pressure sensor
- Oil filter
- Oil cooler
- IVTC cover
- Intake valve timing control cover
- Front cover
- Mating surface between cylinder block and cylinder head
- Mating surface between cylinder head and rocker cover
- Crank oil seal (front and rear)

OIL PRESSURE CHECK

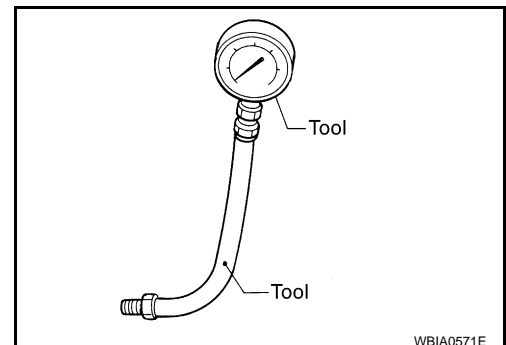
WARNING:

- **Be careful not to burn yourself, as engine oil may be hot.**
- **For M/T models, put the gearshift lever in the Neutral "N" position. For CVT models, put the selector lever in the Park "P" position.**

1. Check the oil level.
2. Disconnect oil pressure switch harness connector.
3. Remove oil pressure sensor.
4. Install the pressure gauge.
5. Start the engine and warm it up to normal operating temperature.
6. Check oil pressure with engine running under no-load, using Tool

Tool numbers : ST25051001 (J-25695-1)

: ST25052000 (J-25695-2)



ENGINE OIL

< ON-VEHICLE MAINTENANCE >

[VQ35DE]

Engine speed rpm	Approximate discharge pressure kPa (kg/cm ² , psi)
Idle speed	More than 98 (1.0, 14)
2,000	294 (3.0, 43)

If difference is extreme, check oil passage and oil pump for oil leaks.

7. After the inspections, install the oil pressure switch as follows:
 - a. Remove the old sealant adhering to switch and engine.
 - b. Apply thread sealant and tighten the oil pressure switch to specification.

Use Genuine High Performance Thread Sealant, or equivalent. Refer to [GI-15, "Recommended Chemical Products and Sealants"](#).

Oil pressure switch : 14.7 N·m (1.5 kg·m, 11 ft·lb)

Changing Engine Oil

INFOID:0000000000990369

WARNING:

- **Be careful not to burn yourself, as the engine oil may be hot.**
- **Prolonged and repeated contact with used engine oil may cause skin cancer; try to avoid direct skin contact with used oil. If skin contact is made, wash thoroughly with soap or hand cleaner as soon as possible.**

1. Position the vehicle so it is level on the hoist.
2. Warm up the engine and check for oil leaks from the engine.
3. Stop engine and wait for 10 minutes.
4. Remove the oil pan drain plug and oil filler cap.
5. Drain the engine oil.
6. Install the oil pan drain plug with a new washer and refill the engine with new engine oil.

Oil pan drain plug : 34.3 N·m (3.5 kg·m, 25 ft·lb)

- Refer to [LU-20, "Inspection"](#).

Oil Capacity (Approximate)

ℓ (US qt, Imp qt)

Drain and refill	With oil filter change	Approximately 4.2 ℓ (4 1/2, 3 3/4)
	Without oil filter change	Approximately 4.0 ℓ (4 1/4, 3 1/2)
Dry engine (engine overhaul)		Approximately 4.6 ℓ (4 7/8, 4)

CAUTION:

- **Be sure to clean the oil pan drain plug and install with a new washer.**
 - **The refill capacity depends on the oil temperature and drain time. Use these specifications for reference only. Always use the dipstick to determine when the proper amount of oil is in the engine.**
7. Warm up the engine and check around the oil pan drain plug and oil filter for oil leaks.
 8. Stop engine and wait for 10 minutes.
 9. Check the engine oil level using the dipstick.

CAUTION:

Do not overfill the engine oil.

OIL FILTER

Removal and Installation

INFOID:00000000990370

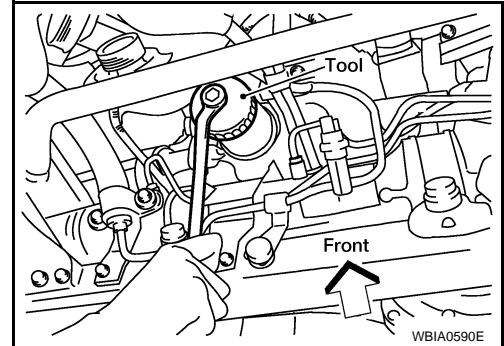
REMOVAL

1. Remove the oil filter using Tool as shown.

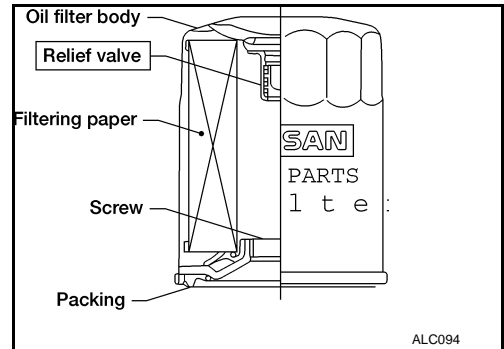
Tool number : KV10115801 (J-38956)

CAUTION:

- Be careful not to get burned, the engine oil may be hot.
- When removing, prepare a shop cloth to absorb any oil leakage or spillage.
- Do not allow engine oil to adhere to the drive belts.
- Completely wipe off any oil that adheres to the engine and the vehicle.

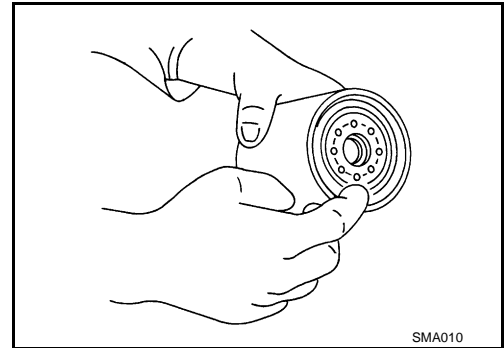


- The oil filter is provided with a relief valve. Use a genuine NISSAN oil filter or equivalent



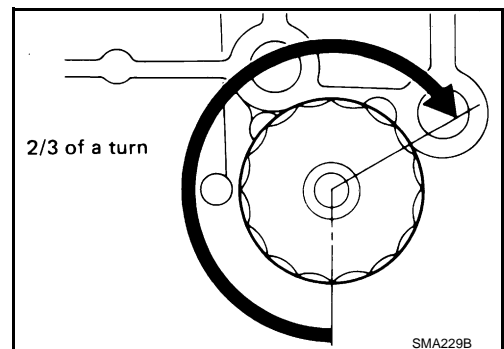
INSTALLATION

1. Remove foreign materials adhering to the oil filter installation surface.
2. Apply clean engine oil to the oil seal contact surface of the new oil filter.



3. Screw the oil filter manually until it touches the installation surface, then tighten it by turning another 2/3 turn, or tighten to specification.

Oil filter : 17.6 N·m (1.8 kg·m, 13 ft·lb)



4. Check the oil level and add engine oil as necessary. Refer to [LU-20](#).
5. After warming up the engine, check for any engine oil leaks.

ON-VEHICLE REPAIR

OIL PUMP

Removal and Installation

INFOID:000000000990371

A

LU

REMOVAL

1. Remove the timing chain. Refer to [EM-163. "Removal"](#).
2. Remove oil pump assembly.

C

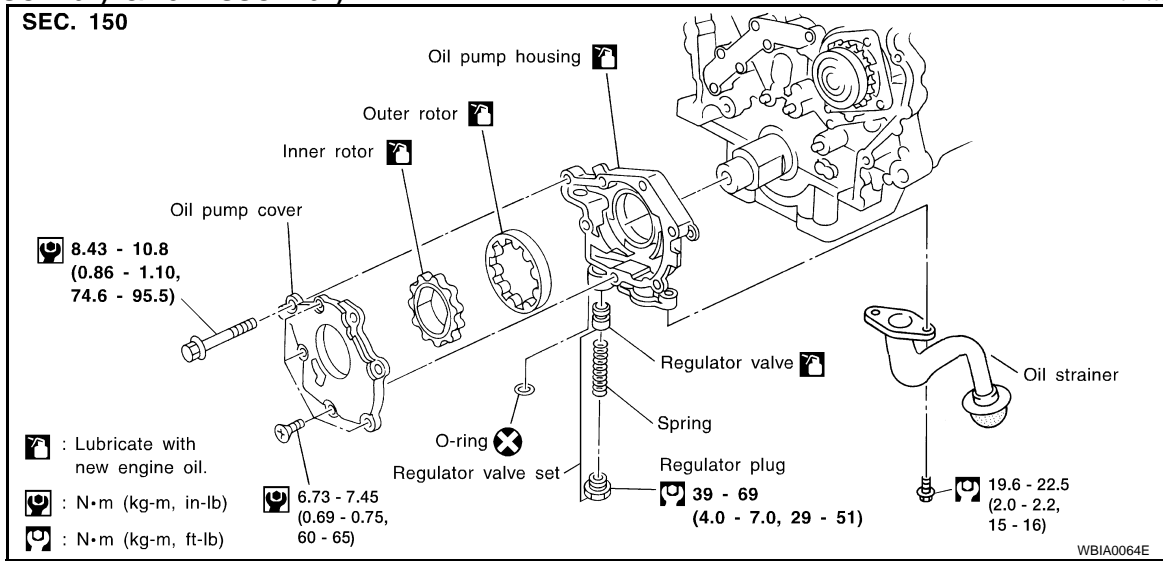
INSTALLATION

Installation is in the reverse order of removal.

D

Disassembly and Assembly

INFOID:000000000990372



E

F

G

H

I

J

- Disassemble as shown.
- Assembly is in the reverse order of Disassembly. When assembling the oil pump, apply engine oil to the rotors.

INSPECTION AFTER DISASSEMBLY

K

Clearance of Oil Pump Parts

- Measure clearance with feeler gauge.
Clearance between outer rotor and oil pump body (position 1)

Standard : 0.114 - 0.260 mm (0.0045 - 0.0102 in)

L

M

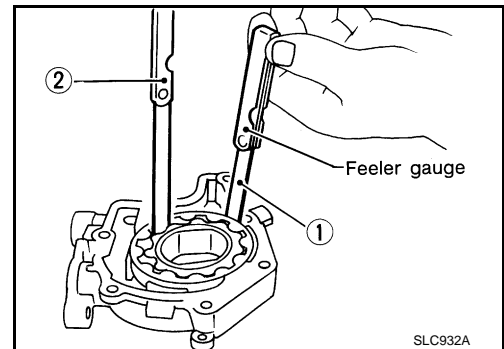
N

O

P

Tip clearance between inner rotor and outer rotor (position 2)

Standard : Below 0.180 mm (0.0071 in)



OIL PUMP

[VQ35DE]

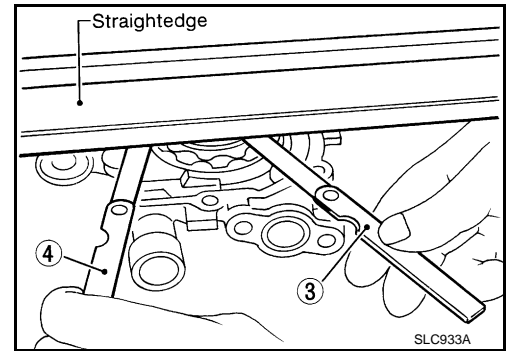
< ON-VEHICLE REPAIR >

- Measure clearance with feeler gauge and straightedge.
Side clearance between inner rotor and oil pump body (position 3).

Standard : 0.030 - 0.070 mm (0.0012 - 0.0028 in)

Side clearance between outer rotor and oil pump body (position 4).

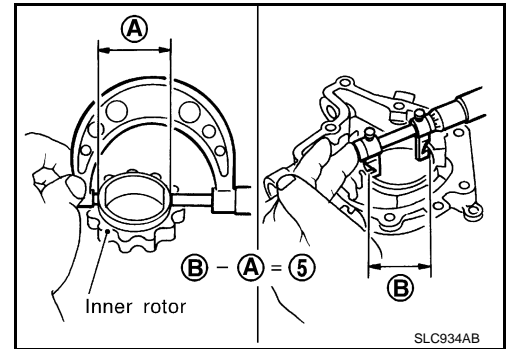
Standard : 0.050 - 0.110 mm (0.0020 - 0.0043 in)



- Calculate the clearance between inner rotor and oil pump body as follows.

1. Measure the outer diameter of protruded portion of inner rotor (position A).
2. Measure the inner diameter of oil pump body with inside micrometer (position B).
(clearance 5) = (inner diameter of oil pump body B) – (outer diameter of inner rotor A)

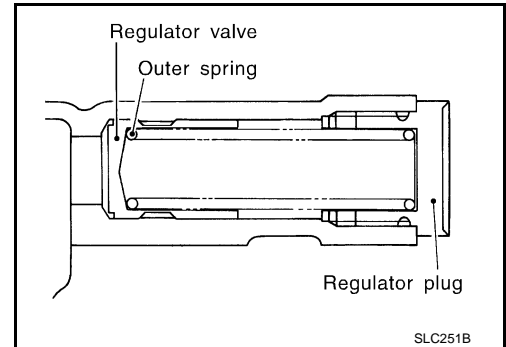
Standard : 0.045 - 0.091 mm (0.0018 - 0.0036 in)



Regulator Valve

1. Visually inspect components for wear and damage.
2. Check oil pressure regulator valve sliding surface and valve spring.
3. Coat regulator valve with engine oil. Check that it falls smoothly into the valve hole by its own weight.

If damaged, replace regulator valve set or oil pump body.



Regulator Valve Clearance

(Clearance 6) = D (Valve hole diameter) – E (Outer diameter of valve)

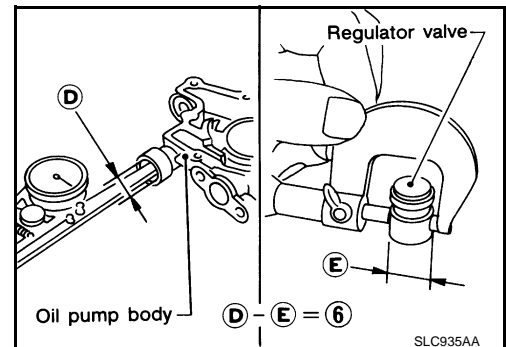
Standard : 0.040 - 0.097 mm (0.0016 - 0.0038 in)

If it exceeds the standard, replace the oil pump body.

CAUTION:

Coat regulator valve with engine oil.

Check that it falls smoothly into the valve hole by its own weight.



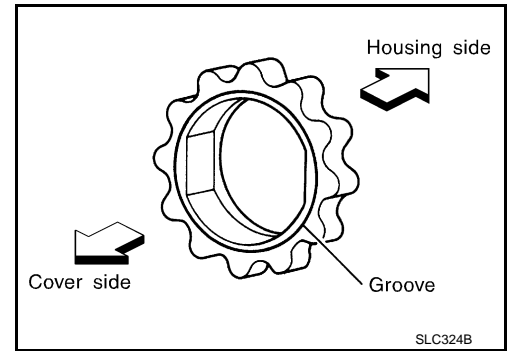
Assembly

OIL PUMP

[VQ35DE]

< ON-VEHICLE REPAIR >

- Assembly is in the reverse order of disassembly.
- Assemble the inner rotor and outer rotor with the punched marks on the oil pump cover side.



A

LU

C

D

E

F

G

H

I

J

K

L

M

N

O

P

OIL COOLER

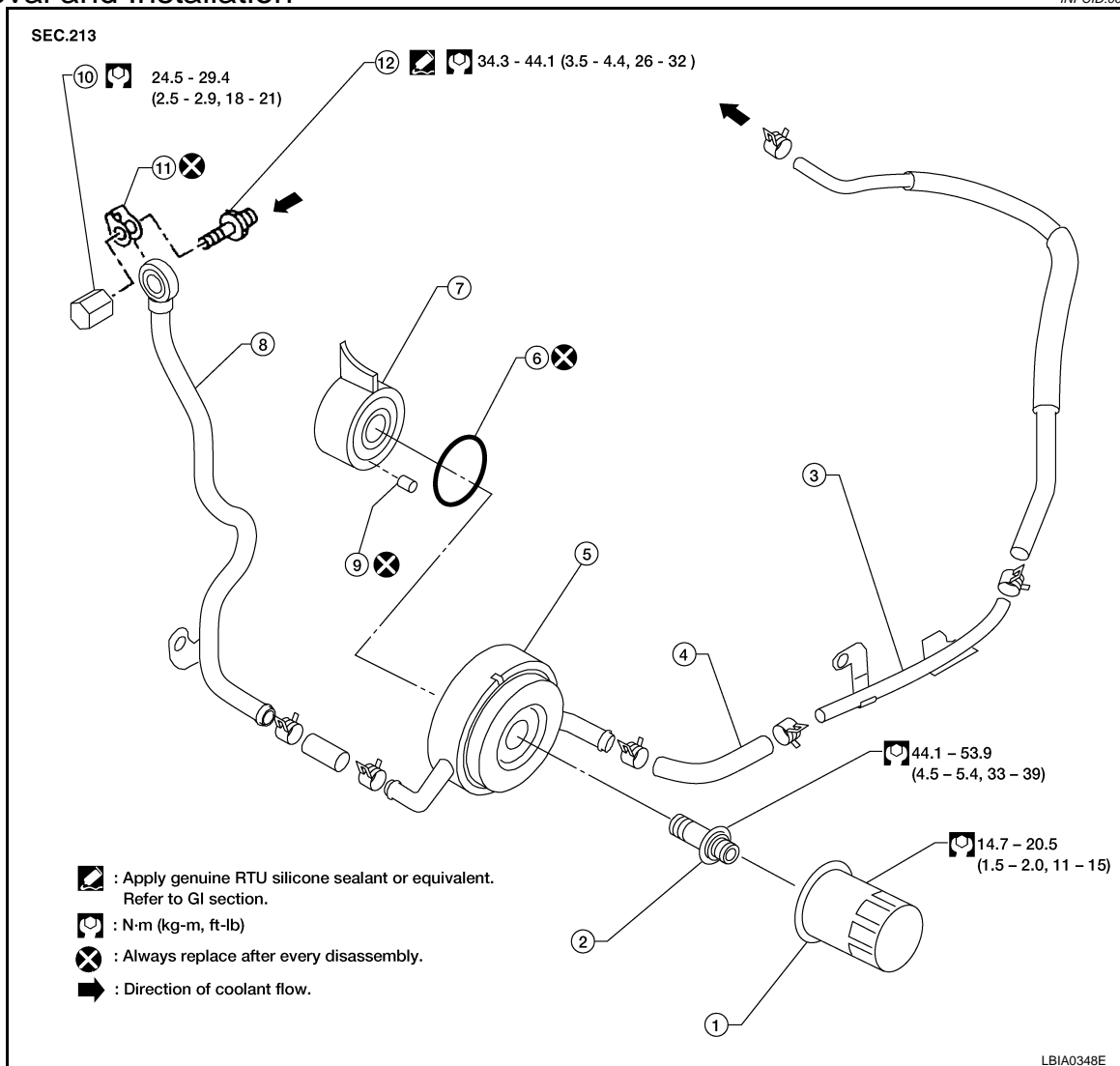
< ON-VEHICLE REPAIR >

[VQ35DE]

OIL COOLER

Removal and Installation

INFOID:000000000990373



- | | | |
|----------------------|--------------------|---------------------|
| 1. Oil filter | 2. Oil cooler bolt | 3. Water pipe |
| 4. Water hose | 5. Oil cooler | 6. O-ring |
| 7. Oil pan | 8. Water pipe | 9. Relief valve |
| 10. Water drain plug | 11. Copper gasket | 12. Water connector |

REMOVAL

1. Drain engine oil. Refer to [LU-20](#).
2. Drain engine coolant. Refer to [CO-33. "Changing Engine Coolant"](#).
• **Do not spill coolant on the drive belt.**
3. Remove the oil filter and the oil cooler.

INSPECTION AFTER REMOVAL

1. Check oil cooler for cracks.
2. Check oil cooler for clogging by blowing through coolant inlet. If necessary, replace oil cooler assembly.

Oil Pressure Relief Valve

Inspect oil pressure relief valve for movement, cracks and breaks by pushing the ball. If replacement is necessary, remove valve by prying it out with a suitable tool. Install a new valve in place by tapping it.

INSTALLATION

Installation is in reverse order of removal.

OIL COOLER

< ON-VEHICLE REPAIR >

[VQ35DE]

- When installing the oil cooler, align the oil cooler stopper with the stopper of the oil pan.

INSPECTION AFTER INSTALLATION

Start engine and check there are no leaks of engine oil or coolant.

A

LU

C

D

E

F

G

H

I

J

K

L

M

N

O

P

SERVICE DATA AND SPECIFICATIONS (SDS)

< SERVICE DATA AND SPECIFICATIONS (SDS)

[VQ35DE]

SERVICE DATA AND SPECIFICATIONS (SDS)

SERVICE DATA AND SPECIFICATIONS (SDS)

Oil Pressure

INFOID:000000000990374

Engine speed rpm	Approximate discharge pressure kPa (kg/cm ² , psi)
Idle speed	More than 98 (1.0, 14)
2,000	294 (3.0, 43)

Regulator Valve

INFOID:000000000990375

Unit: mm (in)

Regulator valve to oil pump cover clearance	0.040 - 0.097 (0.0016 - 0.0038)
---	---------------------------------

Oil Pump

INFOID:000000000990376

Unit: mm (in)

Body to outer rotor radial clearance	0.114 - 0.260 (0.0045 - 0.0102)
Inner rotor to outer rotor tip clearance	Below 0.180 (0.0071)
Body to inner rotor axial clearance	0.030 - 0.070 (0.0012 - 0.0028)
Body to outer rotor axial clearance	0.050 - 0.110 (0.0020 - 0.0043)
Inner rotor to brazed portion of housing clearance	0.045 - 0.091 (0.0018 - 0.0036)

Oil Capacity

INFOID:000000000990377

Unit: ℓ (US qt, Imp qt)

Drain and refill	With oil filter change	Approximately 4.2 (4 1/4, 3 3/4)
	Without oil filter change	Approximately 4.0 (4 1/4, 3 1/2)
Dry engine (engine overhaul)		Approximately 4.6 (4 7/8, 4)