

SECTION **RAX**  
REAR AXLE

A  
B  
C

RAX

CONTENTS

E

<b>PRECAUTIONS</b> .....	<b>2</b>	<b>WHEEL HUB</b> .....	<b>5</b>	F
Precautions for Supplemental Restraint System (SRS) "AIR BAG" and "SEAT BELT PRE-TENSIONER" .....	2	On-vehicle Service .....	5	
Precautions .....	2	REAR WHEEL BEARING .....	5	
<b>PREPARATION</b> .....	<b>3</b>	Removal and Installation .....	6	G
Special Service Tools .....	3	REMOVAL .....	6	
Commercial Service Tools .....	3	INSPECTION AFTER REMOVAL .....	7	
<b>NOISE, VIBRATION, AND HARSHNESS(NVH)</b>		INSTALLATION .....	7	H
<b>TROUBLESHOOTING</b> .....	<b>4</b>	<b>SERVICE DATA AND SPECIFICATIONS (SDS)</b> .....	<b>8</b>	
NVH Troubleshooting Chart .....	4	Wheel Bearing (Rear) .....	8	I

J

K

L

M

# PRECAUTIONS

## PRECAUTIONS

PFP:00001

### Precautions for Supplemental Restraint System (SRS) “AIR BAG” and “SEAT BELT PRE-TENSIONER”

EDS0047F

The Supplemental Restraint System such as “AIR BAG” and “SEAT BELT PRE-TENSIONER”, used along with a front seat belt, helps to reduce the risk or severity of injury to the driver and front passenger for certain types of collision. This system includes seat belt switch inputs and dual stage front air bag modules. The SRS system uses the seat belt switches to determine the front air bag deployment, and may only deploy one front air bag, depending on the severity of a collision and whether the front occupants are belted or unbelted. Information necessary to service the system safely is included in the SRS and SB section of this Service Manual.

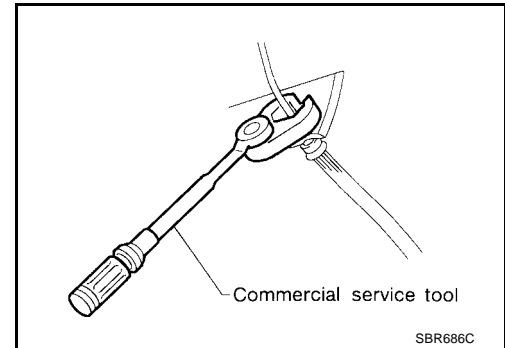
#### **WARNING:**

- To avoid rendering the SRS inoperative, which could increase the risk of personal injury or death in the event of a collision which would result in air bag inflation, all maintenance must be performed by an authorized NISSAN/INFINITI dealer.
- Improper maintenance, including incorrect removal and installation of the SRS, can lead to personal injury caused by unintentional activation of the system. For removal of Spiral Cable and Air Bag Module, see the SRS section.
- Do not use electrical test equipment on any circuit related to the SRS unless instructed to in this Service Manual. SRS wiring harnesses can be identified by yellow and/or orange harnesses or harness connectors.

#### Precautions

EDS001DE

- When installing each rubber part, final tightening must be carried out under unladen condition\* with tires on ground.  
\*: Fuel, radiator coolant and engine oil full. Spare tire, jack, hand tools and mats in designated positions.
- Use flare nut wrench when removing or installing brake tubes.
- After installing removed suspension parts, check wheel alignment.
- Do not jack up at the trailing arm and lateral link.
- Always torque brake lines when installing.



# PREPARATION

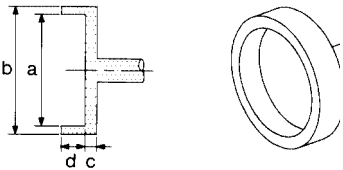
## PREPARATION

PFP:00002

### Special Service Tools

EDS001DF

The actual shapes of Kent-Moore tools may differ from those of special service tools illustrated here.

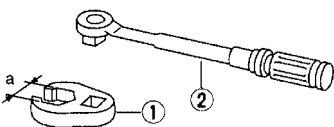
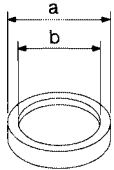
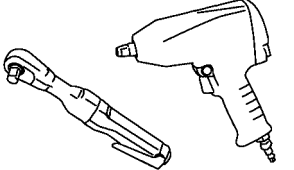
Tool number (Kent-Moore No.) Tool name	Description
ST15310000 ( — ) Drift 	Install ABS sensor rotor <b>a: 84 mm (3.31 in) dia.</b> <b>b: 96 mm (3.78 in) dia.</b> <b>c: 8 mm (0.31 in)</b> <b>d: 20 mm (0.79 in)</b>

A  
B  
C

RAX

### Commercial Service Tools

EDS001DG

Tool name	Description
GG94310000 1 Flare nut crowfoot 2 Torque wrench 	Removing and installing brake piping <b>a: 10 mm (0.39 in)</b>
Drift 	Install ABS sensor rotor <b>a: 75 mm (2.95 in) dia.</b> <b>b: 62 mm (2.44 in) dia.</b>
Power tool 	Loosening bolts and nuts

E  
F  
G  
H  
I  
J  
K  
L  
M

# NOISE, VIBRATION, AND HARSHNESS(NVH) TROUBLESHOOTING

## NOISE, VIBRATION, AND HARSHNESS(NVH) TROUBLESHOOTING

PF0:00003

### NVH Troubleshooting Chart

EDS001DH

Use the chart below to help you find the cause of the symptom. If necessary, repair or replace these parts.

Reference page			<a href="#">RAX-6</a>	<a href="#">RAX-6</a>	<a href="#">RAX-5</a>	<a href="#">WT-3, "NVH Troubleshooting Chart"</a>	<a href="#">WT-3, "NVH Troubleshooting Chart"</a>
Possible cause and SUSPECTED PARTS			Improper installation, looseness	Parts interference	Wheel bearing damage	TIRES	ROAD WHEEL
Symptom	REAR AXLE	Noise	x	x		x	x
		Shake	x	x		x	x
		Vibration	x	x		x	
		Shimmy	x	x		x	x
		Judder	x			x	x
		Poor quality ride or handling	x	x	x	x	x

x: Applicable

# WHEEL HUB

## WHEEL HUB

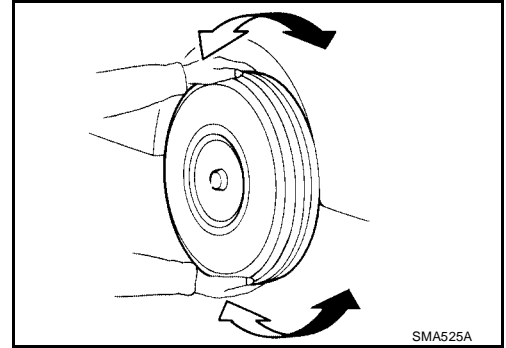
PFP:43202

### On-vehicle Service

EDS001DI

Check axle and suspension parts for excessive play, wear or damage.

- Shake each rear wheel to check for excessive play.

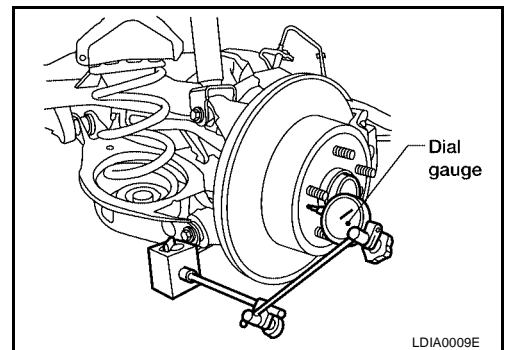


### REAR WHEEL BEARING

- Check axial end play.

**Axial end play : 0.1 mm (0.0040 in) or less**

- Check that wheel hub bearings operate smoothly.
- Replace wheel bearing assembly if there is axial end play or wheel bearing does not turn smoothly. Refer to [RAX-5, "On-vehicle Service"](#).

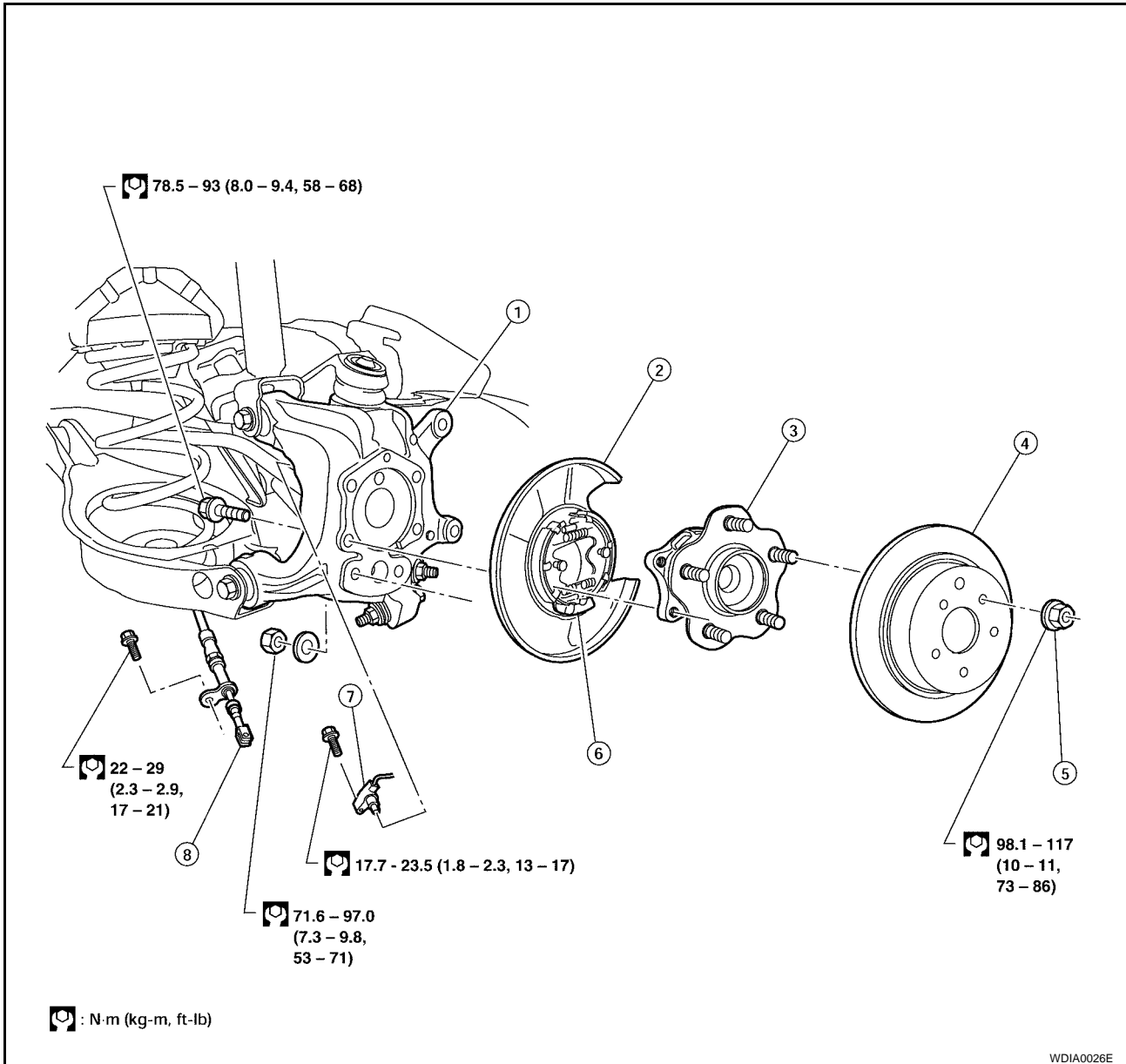


A  
B  
C  
RAX  
E  
F  
G  
H  
I  
J  
K  
L  
M

# WHEEL HUB

## Removal and Installation

EDS001DJ



- |                |                        |                       |
|----------------|------------------------|-----------------------|
| 1. Knuckle     | 2. Baffle plate        | 3. Wheel hub assembly |
| 4. Brake rotor | 5. Wheel nut           | 6. Anchor block       |
| 7. ABS sensor  | 8. Parking brake cable |                       |

### REMOVAL

#### CAUTION:

Wheel hub assembly does not require maintenance. If any of the following symptoms are noted, replace the wheel hub assembly.

- A growling noise is emitted from the wheel hub assembly while driving.
  - The wheel hub assembly drags or turns roughly.
1. Remove the rear wheel and tire using power tool.
  2. Remove the brake caliper assembly using power tool.
    - The brake hose does not need to be disconnected from the brake caliper.
    - Suspend the brake caliper assembly using wire, do not stretch the brake hose.
    - Do not depress the brake pedal, or the caliper piston will pop out.
    - Do not twist the brake hose.
  3. Remove the brake rotor.

# WHEEL HUB

4. Remove the rear ABS sensor, then move it away from the wheel hub assembly.

**CAUTION:**

Failure to remove the ABS sensor may result in damage to the sensor wires and the sensor being inoperative.

5. Remove the wheel hub assembly from knuckle.

## INSPECTION AFTER REMOVAL

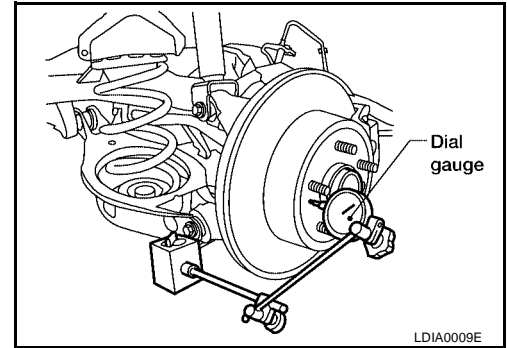
Check for any deformity, cracks, or damage on the wheel hub assembly, replace if necessary.

## INSTALLATION

Installation is in the reverse order of removal.

- Check that the wheel bearings operate smoothly.
- Check that the wheel hub bearing axial end play is within specification.

**Axial end play : 0.1 mm (0.004 in) or less**



A  
B  
C  
RAX  
E  
F  
G  
H  
I  
J  
K  
L  
M

# SERVICE DATA AND SPECIFICATIONS (SDS)

---

## SERVICE DATA AND SPECIFICATIONS (SDS)

PF0:00030

### Wheel Bearing (Rear)

EDS001DK

---

Wheel bearing axial end play	0.1 mm (0.0040 in) or less
------------------------------	----------------------------

---