

ACCELERATOR CONTROL, FUEL & EXHAUST SYSTEMS

SECTION **FE**

CONTENTS


PREPARATION	2	Fuel Tank	4
Special Service Tool	2	Fuel Pump And Gauge	5
ACCELERATOR CONTROL SYSTEM	3	EXHAUST SYSTEM	6
Accelerator Control System	3	California Exhaust System.....	7
Adjusting Accelerator Wire.....	3	Non-California Exhaust System.....	8
FUEL SYSTEM	4		

GI
MA
EM
LC
EC
FE
CL
MT
AT
FA
RA
BR
ST
RS
BT
HA
EL
IDX

PREPARATION

Special Service Tool

The actual shapes of Kent-Moore tools may differ from those of special service tools illustrated here.

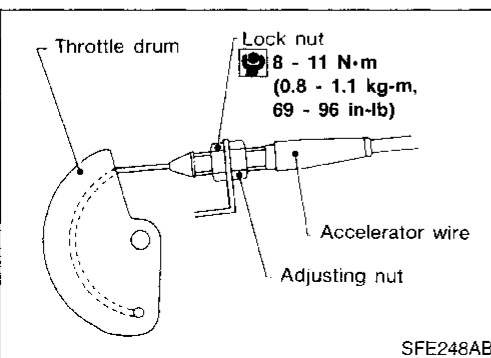
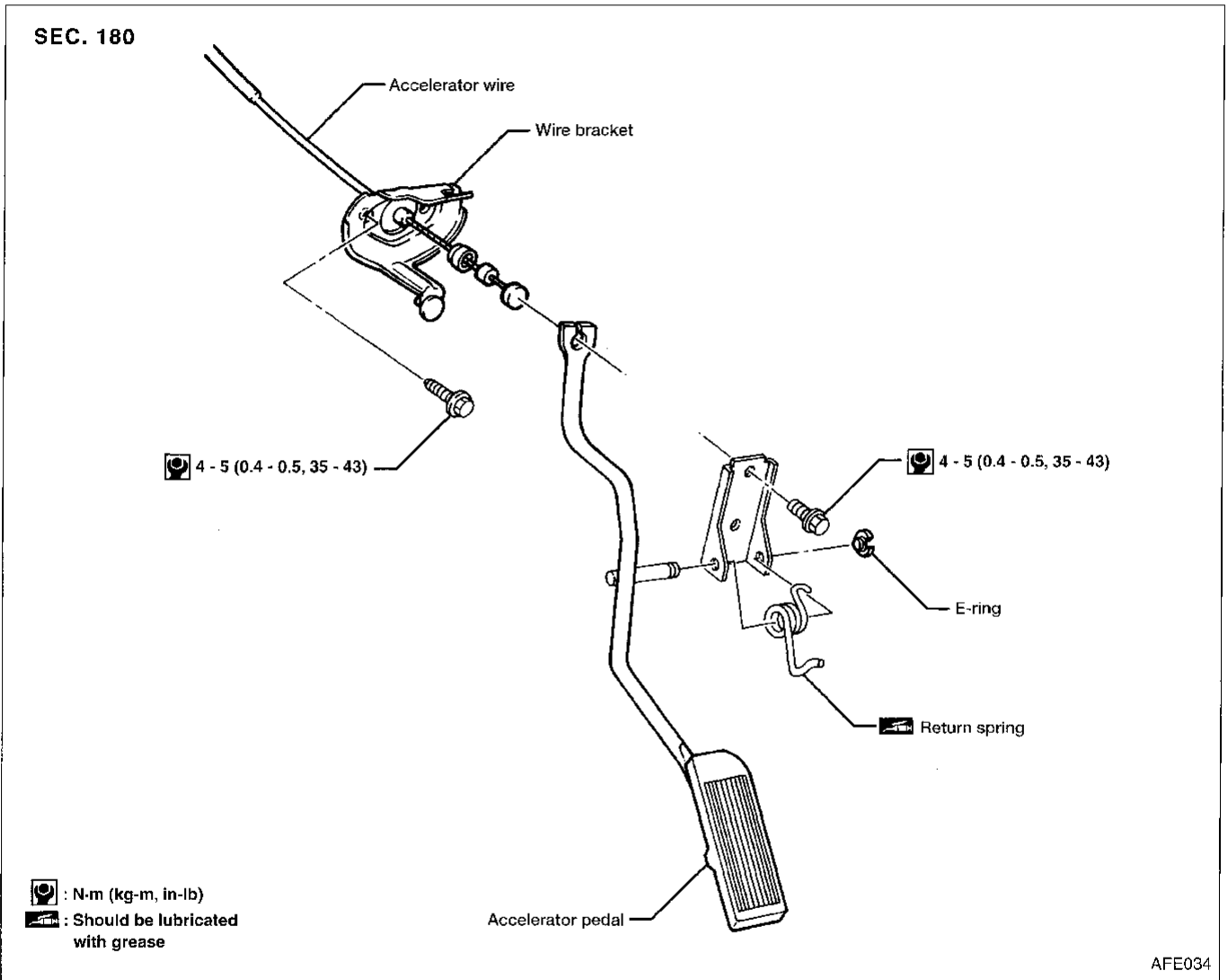
Tool number (Kent-Moore No.) Tool name	Description
KV999G0010 (J38879) Fuel tank lock ring socket	 <p data-bbox="998 367 1429 399">Removing and installing fuel tank lock ring</p> <p data-bbox="430 462 495 493">NT057</p>

ACCELERATOR CONTROL SYSTEM

Accelerator Control System

CAUTION:

- When removing accelerator wire, mark the lock nut's to indicate initial position.
- Check that throttle valve opens fully when accelerator pedal is fully depressed. Check that throttle valve returns to idle position when accelerator pedal is released.
- Check accelerator control parts for improper contact with any adjacent parts.
- When connecting accelerator wire, be careful not to twist or scratch wire.
- Refer to "AUTOMATIC SPEED CONTROL DEVICE (ASCD)" in EL section for ASCD wire adjustment.



Adjusting Accelerator Wire

CAUTION:

- Make sure the ASCD wire is not pulling the throttle drum.
 - For ASCD wire adjustment, refer to EL section ["AUTOMATIC SPEED CONTROL DEVICE (ASCD)"].
1. Loosen lock nut and tighten adjusting nut until throttle drum starts to move.
 2. From that position turn back adjusting nut 1.5 to 2 turns, and secure lock nut.

FUEL SYSTEM

Fuel Tank

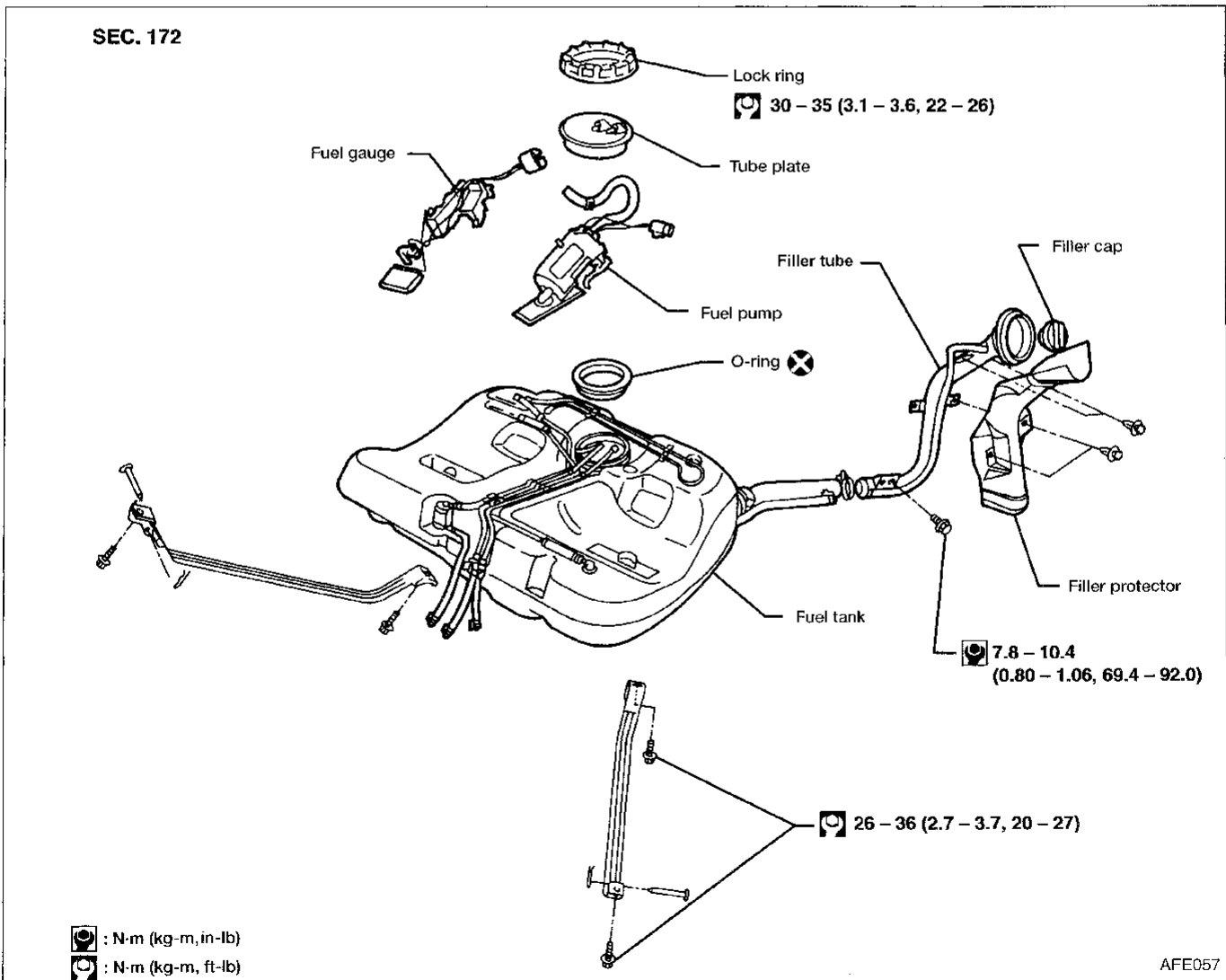
WARNING:

When replacing fuel line parts, be sure to observe the following:

- Put a "CAUTION: FLAMMABLE" sign in workshop.
- Do not smoke while servicing fuel system. Keep open flames and sparks away from work area.
- Be sure to furnish workshop with a CO₂ fire extinguisher.

CAUTION:

- Before removing fuel line parts, carry out the following procedures:
 - a. Put drained fuel in an explosion-proof container and put the lid on securely.
 - b. Release fuel pressure from fuel line. Refer to EC section ("Fuel pressure Release", "BASIC SERVICE PROCEDURE").
 - c. Disconnect battery ground cable.
- When installing fuel check valve, be careful of its designated direction. Refer to EC section ("FUEL CHECK VALVE", "EVAPORATIVE EMISSION SYSTEM").
- Always replace O-ring and clamps with new ones.
- Do not kink or twist tubes when they are being installed.
- Do not tighten hose clamps excessively to avoid damaging hoses.
- After installing tubes, run engine and check for fuel leaks at connections.
- Use only a genuine fuel filler cap as a replacement.



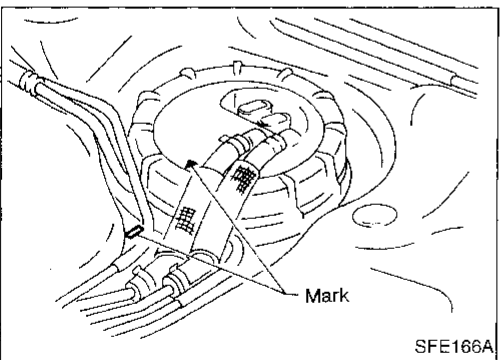
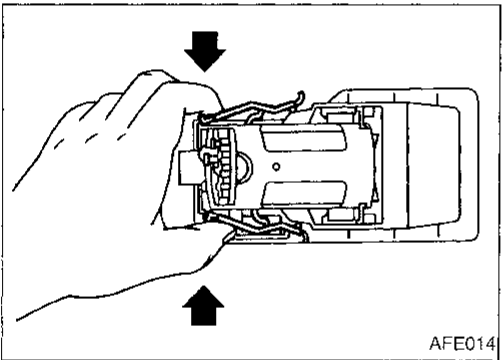
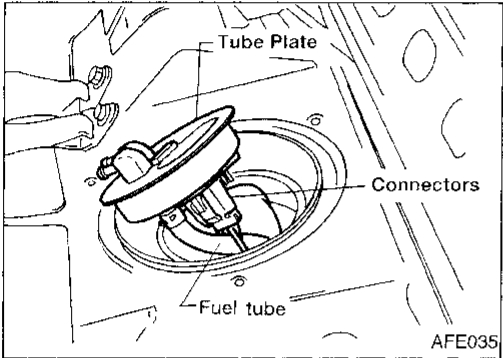
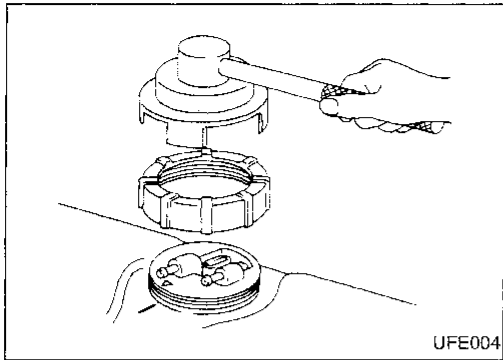
FUEL SYSTEM

Fuel Tank (Cont'd)

FUEL PUMP AND GAUGE

Removal

1. Release fuel pressure from fuel line.
Refer to EC section ("Fuel Pressure Release", "BASIC SERVICE PROCEDURE").
2. Remove rear seat back and bottom. Refer to BT section.
3. Remove inspection hole cover located under rear seat.
4. Disconnect connectors and fuel tubes.
5. Remove lock ring using SST KV999G0010 (J38879).
6. Remove tube plate assembly, disconnect fuel tubes and electrical connectors.



7. Remove fuel pump by pinching the two (2) tabs together as shown in the figure while lifting out of fuel tank bracket.

If fuel sending unit needs to be removed, pull up large tab on sending unit, opposite the end of the float. The sending unit lifts straight out of fuel tank bracket.

Installation

- Installation procedure is basically the reverse order of removal.

CAUTION:

- Always replace O-ring with a new one.
- Align parts with alignment marks.
- Tighten lock ring to specified torque.
- After installation, run engine and check for leaks at connections.

GI

MA

EM

LG

EC

FE

CL

MT

AT

FA

RA

BR

ST

RS

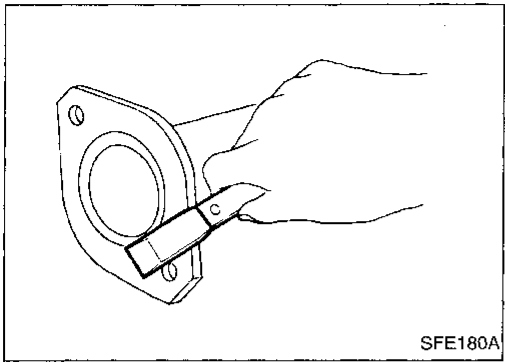
BT

HA

EL

IDX

EXHAUST SYSTEM



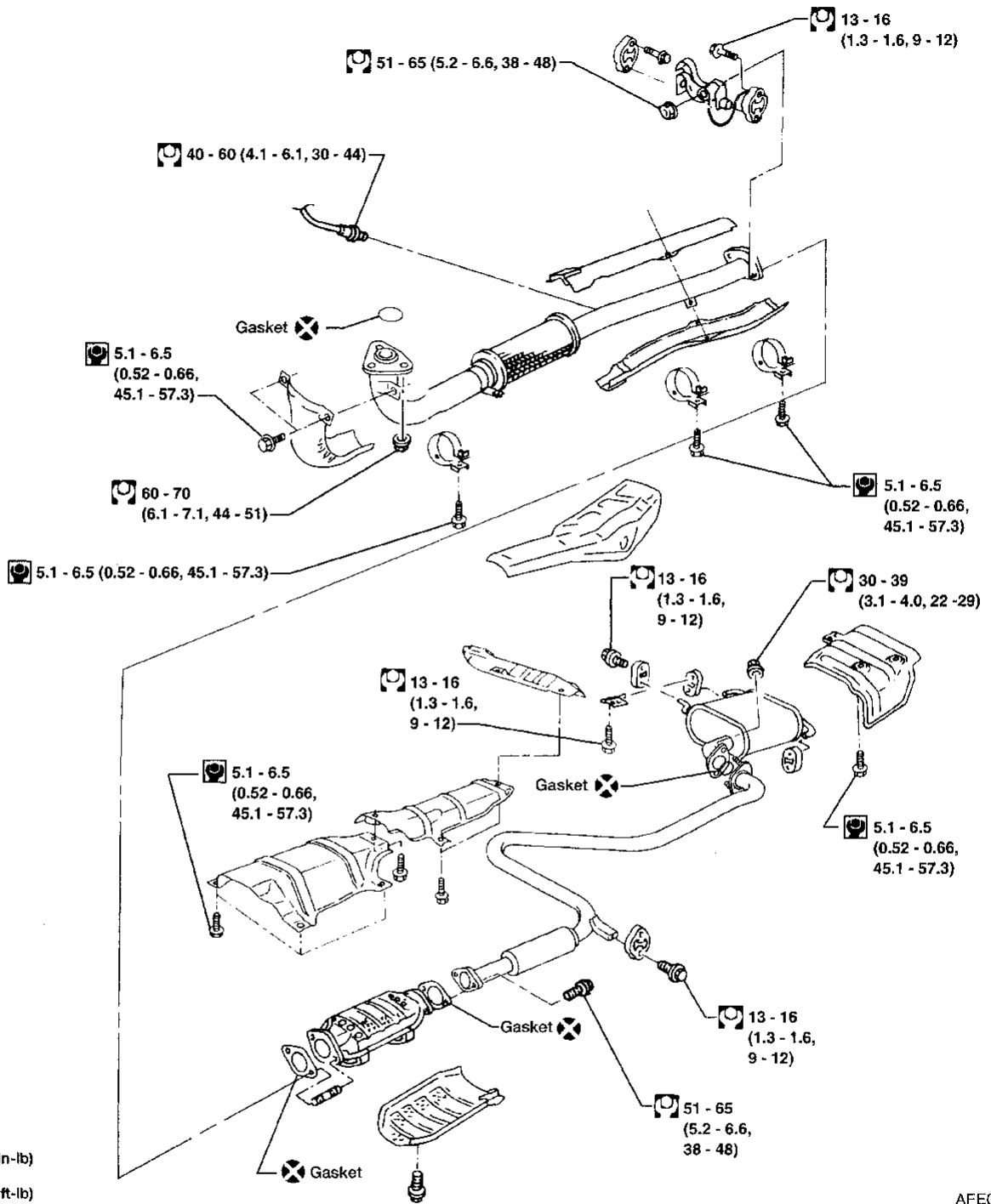
CAUTION:

- Always replace exhaust gaskets with new ones when reassembling.
If gasket remains on flange surface, scrape off completely as shown at left.
- With engine running, check all tube connections for exhaust gas leaks, and entire system for unusual noises.
- Check to ensure that mounting brackets and mounting insulators are installed properly and free from undue stress. Improper installation could result in excessive noise or vibration.
- Discard any heated oxygen sensor which has been dropped from a height of more than 0.5 m (19.7 in) onto a hard surface such as a concrete floor; use a new one.

EXHAUST SYSTEM

California Exhaust System

SEC. 200



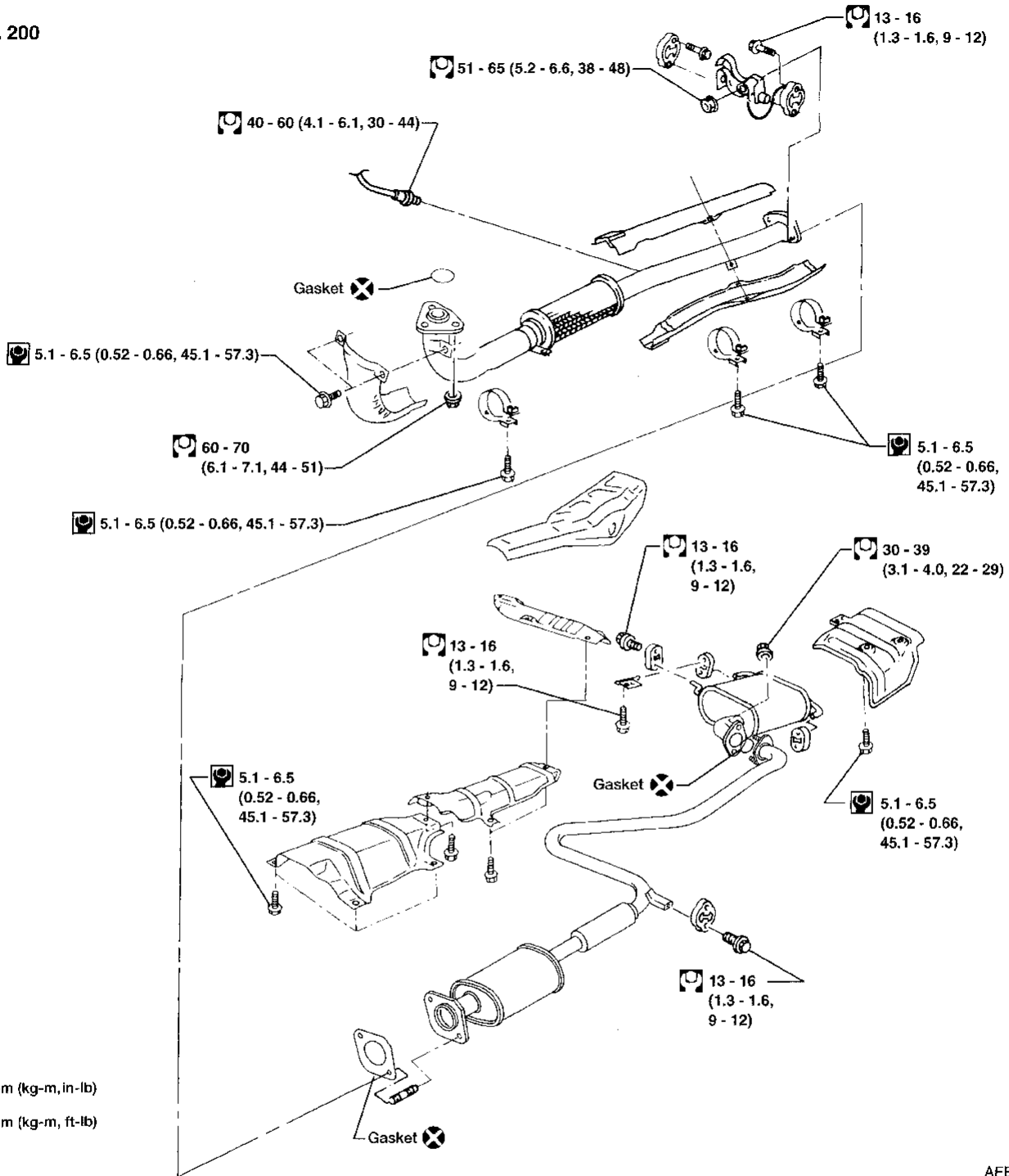
AFE059

GI
MA
EM
LC
EC
FE
CL
MT
AT
FA
RA
BR
ST
RS
BT
HA
EL
IDX

EXHAUST SYSTEM

Non-California Exhaust System

SEC. 200



AFE058