

A
SECTION **EX** EX
EXHAUST SYSTEM C

D
E
CONTENTS

| | | | | |
|--------------------------------|---|--|---|---|
| PREPARATION | 2 | REMOVAL | 4 | F |
| Commercial Service Tools | 2 | INSTALLATION | 4 | |
| EXHAUST SYSTEM | 3 | Inspection After Installation | 5 | |
| Checking Exhaust System | 3 | SERVICE DATA AND SPECIFICATIONS (SDS) | 6 | G |
| Removal and Installation | 3 | Tightening Torque | 6 | |

D
E
F
G
H
I
J
K
L
M

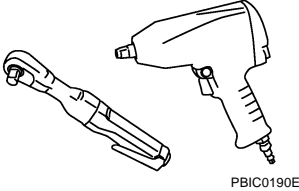
PREPARATION

PREPARATION

PFP:00002

Commercial Service Tools

ABS002B8

| (Kent-Moore No.) Tool name | Description |
|--|--------------------------|
| Power tool  PBIC0190E | Loosening nuts and bolts |

EXHAUST SYSTEM

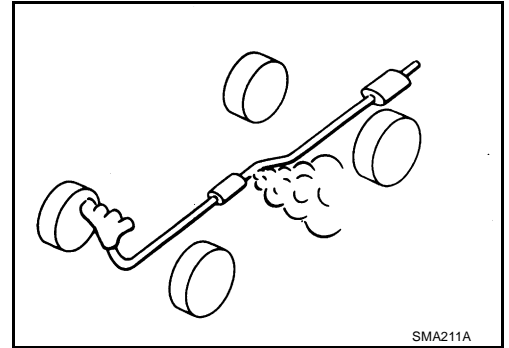
EXHAUST SYSTEM

PFP:20100

Checking Exhaust System

ABS002B9

Check exhaust pipes, muffler and mounting for improper attachment, leaks, cracks, damage or deterioration.



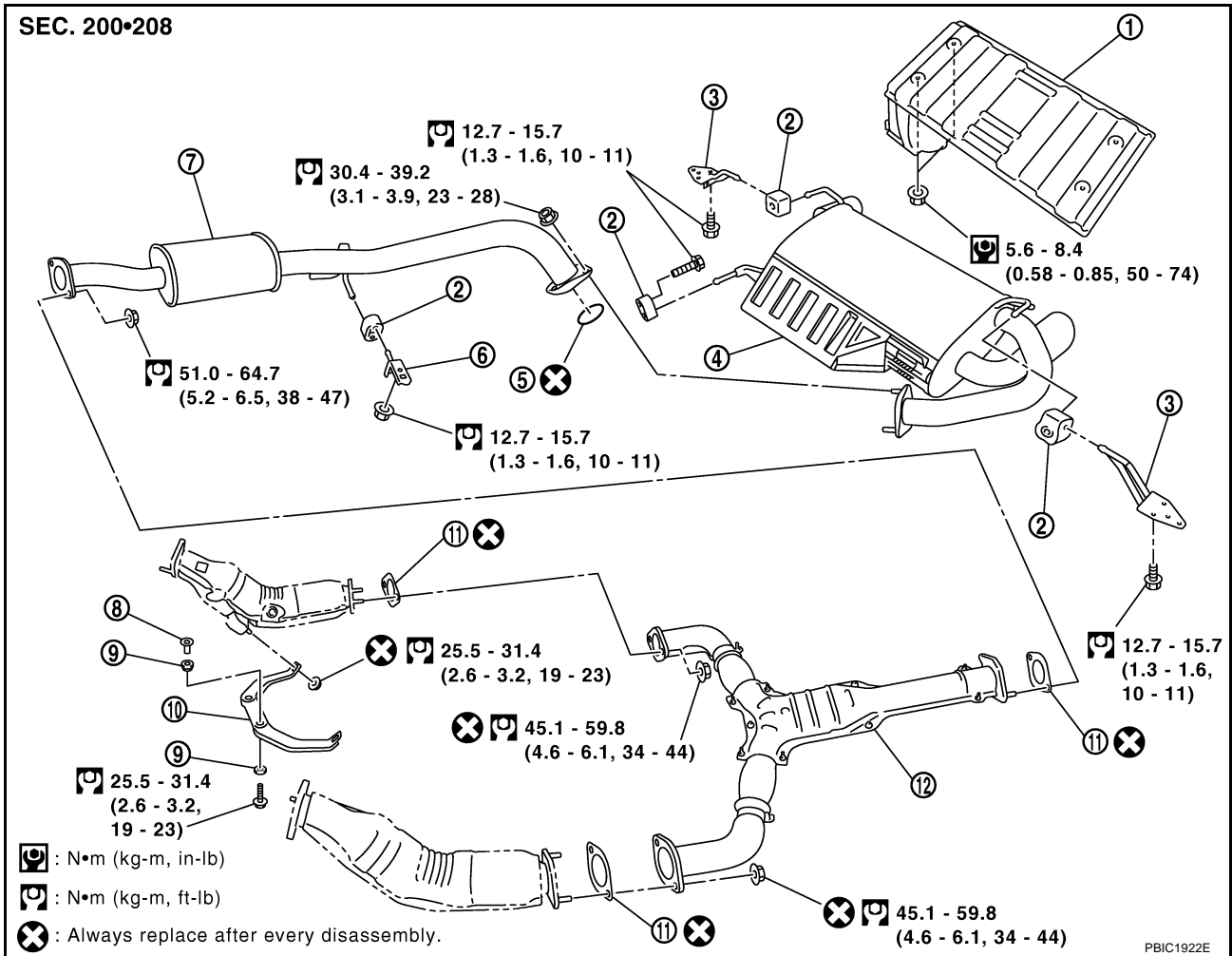
SMA211A

Removal and Installation

ABS002BA

CAUTION:

- Be sure to use genuine exhaust system parts or equivalents which are specially designed for heat resistance, corrosion resistance, and shape.
- Perform the operation with the exhaust system fully cooled down because the system will be hot just after engine stops.
- Be careful not to cut your hand on the insulator edge.



PBIC1922E

- | | | |
|------------------------------|--------------------|----------------------------------|
| 1. Insulator | 2. Mounting rubber | 3. Main muffler mounting bracket |
| 4. Main muffler | 5. Ring gasket | 6. Mounting bracket |
| 7. Center muffler | 8. Collar | 9. Grommet |
| 10. Exhaust mounting bracket | 11. Gasket | 12. Exhaust front tube |

EXHAUST SYSTEM

REMOVAL

- Remove each joint and mounting using power tool.
- When removing main muffler, remove main muffler mounting bracket bolts.
- For removing and installing parts around propeller shaft, be careful of the following.

CAUTION:

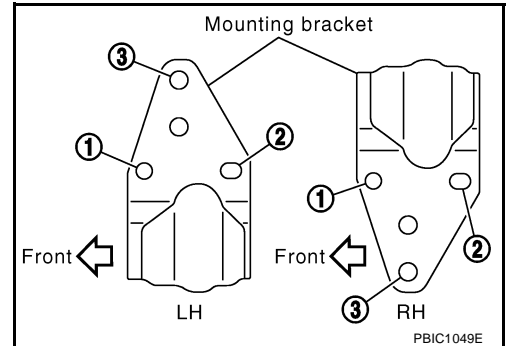
Be sure to prevent propeller shaft from interfering parts and tools. If necessary, install protector to propeller shaft to prevent damage.

For propeller shaft protector, refer to [PR-7, "Removal and Installation"](#) .

INSTALLATION

Install in the reverse order of removal paying attention to the followings.

- Tighten main muffler mounting bracket bolts in order shown in the figure.

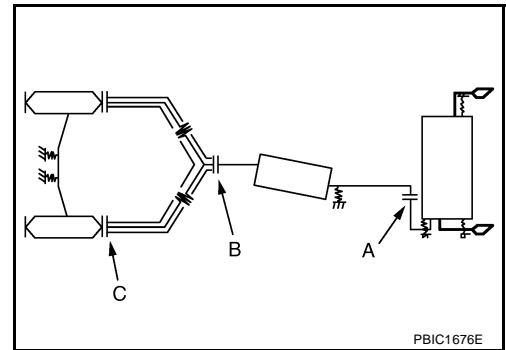


When reassembling main muffler only.

- Temporarily tighten connecting flange (A).
- Move main muffler front / rear / left / right so that clearance between tail tube and bumper is even.
- Fully tighten connecting flange (A) to the specified torque.

When reassembling center muffler.

- Temporarily tighten connecting flanges in order of (A) and (B).
- Move main muffler front / rear / left / right so that clearance between tail tube and bumper is even.
- Fully tighten connecting flanges in order of (A) and (B) to the specified torque.



When reassembling front tube.

- Temporarily tighten connecting flanges of center muffler in order of (B) and (C).
- Move main muffler front / rear / left / right so that clearance between tail tube and bumper is even.
- Tighten connecting flanges in order of (B) and (C) to the specified torque.

CAUTION:

- **Always replace exhaust tube gaskets with new ones when reassembling.**
- **If the insulator is badly deformed, repair or replace it. If deposits such as mud pile up on the insulator, remove them.**
- **When installing the insulator avoid large gaps or interference between the insulator and each exhaust pipe.**
- **Remove deposits from the sealing surface of each connection. Connect them securely to avoid gas leakage.**
- **Temporarily tighten mounting nuts on the exhaust manifold side and mounting bolts on the vehicle side. Check each part for unusual interference, and then tighten them to the specified torque.**
- **When installing each mounting rubber, avoid twisting or unusual extension in up/down and right/left directions.**

EXHAUST SYSTEM

Inspection After Installation

ABS002BB

- With engine running, check exhaust tube joints for gas leakage and unusual noises.
- Check to ensure that mounting brackets and mounting rubbers are installed properly and free from undue stress. Improper installation could result in excessive noise and vibration.

A

EX

C

D

E

F

G

H

I

J

K

L

M

SERVICE DATA AND SPECIFICATIONS (SDS)

SERVICE DATA AND SPECIFICATIONS (SDS)

PFP:00030

Tightening Torque

ABS002BC

Unit: N·m (kg·m, ft·lb)
N·m (kg·m, in·lb)*

| | |
|---|-----------------------------------|
| Exhaust system connections | |
| Between three way catalyst and exhaust front tube | 45.1 - 59.8 (4.6 - 6.1, 34 - 44) |
| Between exhaust front tube and center muffler | 51.0 - 64.7 (5.2 - 6.5, 38 - 47) |
| Between center muffler and main muffler | 30.4 - 39.2 (3.1 - 3.9, 23 - 28) |
| Insulator | 5.6 - 8.4 (0.58 - 0.85, 50 - 74)* |
| Three way catalyst mounting bracket | 25.5 - 31.4 (2.6 - 3.2, 19 - 23) |
| Center muffler mounting bracket | 12.7 - 15.7 (1.3 - 1.6, 10 - 11) |
| Main muffler mounting bracket | 12.7 - 15.7 (1.3 - 1.6, 10 - 11) |