

A
EC
C
D
E
F
G
H
I
J
K
L
M

SECTION EC

ENGINE CONTROL SYSTEM

CONTENTS

<p>INDEX FOR DTC 8</p> <p> DTC No. Index 8</p> <p> Alphabetical Index 13</p> <p>PRECAUTIONS 18</p> <p> Precautions for Supplemental Restraint System (SRS) "AIR BAG" and "SEAT BELT PRE-TENSIONER" 18</p> <p> Precautions for Battery Service 18</p> <p> Precautions for Procedures without Cowl Top Cover.. 18</p> <p> On Board Diagnostic (OBD) System of Engine and A/T 18</p> <p> Precaution 19</p> <p>PREPARATION 22</p> <p> Special Service Tools 22</p> <p> Commercial Service Tools 23</p> <p>ENGINE CONTROL SYSTEM 24</p> <p> System Diagram 24</p> <p> Multiport Fuel Injection (MFI) System 25</p> <p> Electronic Ignition (EI) System 27</p> <p> Fuel Cut Control (at No Load and High Engine Speed) 28</p> <p>AIR CONDITIONING CUT CONTROL 29</p> <p> Input/Output Signal Chart 29</p> <p> System Description 29</p> <p>AUTOMATIC SPEED CONTROL DEVICE (ASCD).. 30</p> <p> System Description 30</p> <p> Component Description 31</p> <p>CAN COMMUNICATION 32</p> <p> System Description 32</p> <p>EVAPORATIVE EMISSION SYSTEM 33</p> <p> Description 33</p> <p> Component Inspection 36</p> <p> Removal and Installation 37</p> <p> How to Detect Fuel Vapor Leakage 37</p> <p>ON BOARD REFUELING VAPOR RECOVERY (ORVR) 39</p> <p> System Description 39</p> <p> Diagnostic Procedure 40</p> <p> Component Inspection 42</p> <p>POSITIVE CRANKCASE VENTILATION 44</p>	<p> Description 44</p> <p> Component Inspection 45</p> <p>NVIS (NISSAN VEHICLE IMMOBILIZER SYSTEM-NATS) 46</p> <p> Description 46</p> <p>ON BOARD DIAGNOSTIC (OBD) SYSTEM 47</p> <p> Introduction 47</p> <p> Two Trip Detection Logic 47</p> <p> Emission-related Diagnostic Information 48</p> <p> Malfunction Indicator Lamp (MIL) 62</p> <p> OBD System Operation Chart 65</p> <p>BASIC SERVICE PROCEDURE 71</p> <p> Basic Inspection 71</p> <p> Idle Speed and Ignition Timing Check 76</p> <p> Procedure After Replacing ECM 76</p> <p> VIN Registration 76</p> <p> Exhaust Valve Timing Control Learning 76</p> <p> Accelerator Pedal Released Position Learning 77</p> <p> Throttle Valve Closed Position Learning 77</p> <p> Idle Air Volume Learning 77</p> <p> Fuel Pressure Check 79</p> <p>TROUBLE DIAGNOSIS 81</p> <p> Trouble Diagnosis Introduction 81</p> <p> DTC Inspection Priority Chart 87</p> <p> Fail-safe Chart 89</p> <p> Symptom Matrix Chart 90</p> <p> Engine Control Component Parts Location 94</p> <p> Vacuum Hose Drawing 100</p> <p> Circuit Diagram 101</p> <p> ECM Harness Connector Terminal Layout 103</p> <p> ECM Terminals and Reference Value 103</p> <p> CONSULT-III Function (ENGINE) 116</p> <p> Generic Scan Tool (GST) Function 125</p> <p> CONSULT-III Reference Value in Data Monitor ... 127</p> <p>TROUBLE DIAGNOSIS - SPECIFICATION VALUE 132</p> <p> Description 132</p> <p> Testing Condition 132</p> <p> Inspection Procedure 132</p> <p> Diagnostic Procedure 133</p> <p>TROUBLE DIAGNOSIS FOR INTERMITTENT INCI-</p>
--	---

DENT	141	Component Description	183
Description	141	CONSULT-III Reference Value in Data Monitor	
Diagnostic Procedure	141	Mode	183
POWER SUPPLY AND GROUND CIRCUIT	142	On Board Diagnosis Logic	183
Wiring Diagram	142	DTC Confirmation Procedure	183
Diagnostic Procedure	145	Wiring Diagram	184
Ground Inspection	150	Diagnostic Procedure	188
DTC U1000, U1001 CAN COMMUNICATION LINE 151		Component Inspection	189
Description	151	Removal and Installation	189
On Board Diagnosis Logic	151	DTC P0078 P0084 EVT CONTROL MAGNET	
DTC Confirmation Procedure	151	RETARDER	190
Wiring Diagram	152	Component Description	190
Diagnostic Procedure	153	CONSULT-III Reference Value in Data Monitor	
DTC U1010 CAN COMMUNICATION	154	Mode	190
Description	154	On Board Diagnosis Logic	190
On Board Diagnosis Logic	154	DTC Confirmation Procedure	190
DTC Confirmation Procedure	154	Wiring Diagram	191
Diagnostic Procedure	155	Diagnostic Procedure	195
DTC P0011, P0021 IVT CONTROL	156	Component Inspection	196
Description	156	Removal and Installation	196
CONSULT-III Reference Value in Data Monitor		DTC P0101, P010B MAF SENSOR	197
Mode	156	Component Description	197
On Board Diagnosis Logic	157	CONSULT-III Reference Value in Data Monitor	
DTC Confirmation Procedure	157	Mode	197
Diagnostic Procedure	158	On Board Diagnosis Logic	197
Component Inspection	159	DTC Confirmation Procedure	198
Removal and Installation	159	Overall Function Check	198
DTC P0014 P0024 EVT CONTROL	160	Wiring Diagram	200
Description	160	Diagnostic Procedure	203
CONSULT-III Reference Value in Data Monitor		Component Inspection	206
Mode	160	Removal and Installation	207
On Board Diagnosis Logic	161	DTC P0102, P0103, P010C, P010D MAF SENSOR 208	
DTC Confirmation Procedure	161	Component Description	208
Diagnostic Procedure	162	CONSULT-III Reference Value in Data Monitor	
Component Inspection	164	Mode	208
Removal and Installation	164	On Board Diagnosis Logic	208
DTC P0031, P0032, P0051, P0052 A/F SENSOR 1		DTC Confirmation Procedure	209
HEATER	165	Wiring Diagram	210
Description	165	Diagnostic Procedure	213
CONSULT-III Reference Value in Data Monitor		Component Inspection	216
Mode	165	Removal and Installation	217
On Board Diagnosis Logic	165	DTC P0112, P0113 IAT SENSOR	218
DTC Confirmation Procedure	165	Component Description	218
Wiring Diagram	166	On Board Diagnosis Logic	218
Diagnostic Procedure	170	DTC Confirmation Procedure	218
Component Inspection	172	Wiring Diagram	219
Removal and Installation	172	Diagnostic Procedure	220
DTC P0037, P0038, P0057, P0058 HO2S2 HEATER 173		Component Inspection	222
Description	173	Removal and Installation	222
CONSULT-III Reference Value in Data Monitor		DTC P0117, P0118 ECT SENSOR	223
Mode	173	Component Description	223
On Board Diagnosis Logic	173	On Board Diagnosis Logic	223
DTC Confirmation Procedure	174	DTC Confirmation Procedure	224
Wiring Diagram	175	Wiring Diagram	225
Diagnostic Procedure	179	Diagnostic Procedure	226
Component Inspection	181	Component Inspection	228
Removal and Installation	182	Removal and Installation	228
DTC P0075, P0081 IVT CONTROL SOLENOID		DTC P0122, P0123, P0227, P0228 TP SENSOR ..	229
VALVE	183	Component Description	229

CONSULT-III Reference Value in Data Monitor	Mode	275	A
Mode	On Board Diagnosis Logic	275	
On Board Diagnosis Logic	DTC Confirmation Procedure	276	
DTC Confirmation Procedure	Wiring Diagram	277	
Wiring Diagram	Diagnostic Procedure	281	EC
Diagnostic Procedure	Removal and Installation	286	
Component Inspection	DTC P0137, P0157 HO2S2	287	
Removal and Installation	Component Description	287	C
DTC P0125 ECT SENSOR	CONSULT-III Reference Value in Data Monitor		
Component Description	Mode	287	
On Board Diagnosis Logic	On Board Diagnosis Logic	287	
DTC Confirmation Procedure	DTC Confirmation Procedure	288	D
Diagnostic Procedure	Overall Function Check	288	
Component Inspection	Wiring Diagram	289	
Removal and Installation	Diagnostic Procedure	293	E
DTC P0127 IAT SENSOR	Component Inspection	296	
Component Description	Removal and Installation	297	
On Board Diagnosis Logic	DTC P0138, P0158 HO2S2	298	F
DTC Confirmation Procedure	Component Description	298	
Diagnostic Procedure	CONSULT-III Reference Value in Data Monitor		
Component Inspection	Mode	298	G
Removal and Installation	On Board Diagnosis Logic	298	
DTC P0128 THERMOSTAT FUNCTION	DTC Confirmation Procedure	299	
On Board Diagnosis Logic	Overall Function Check	300	
DTC Confirmation Procedure	Wiring Diagram	301	H
Diagnostic Procedure	Diagnostic Procedure	305	
Component Inspection	Component Inspection	311	
Removal and Installation	Removal and Installation	312	I
DTC P0130, P0150 A/F SENSOR 1	DTC P0139, P0159 HO2S2	313	
Component Description	Component Description	313	J
CONSULT-III Reference Value in Data Monitor	CONSULT-III Reference Value in Data Monitor		
Mode	Mode	313	
On Board Diagnosis Logic	On Board Diagnosis Logic	313	
DTC Confirmation Procedure	DTC Confirmation Procedure	314	K
Overall Function Check	Overall Function Check	314	
Wiring Diagram	Wiring Diagram	315	
Diagnostic Procedure	Diagnostic Procedure	319	L
Removal and Installation	Component Inspection	322	
DTC P0131, P0151 A/F SENSOR 1	Removal and Installation	323	
Component Description	DTC P0171, P0174 FUEL INJECTION SYSTEM FUNCTION	324	M
CONSULT-III Reference Value in Data Monitor	On Board Diagnosis Logic	324	
Mode	DTC Confirmation Procedure	324	
On Board Diagnosis Logic	Wiring Diagram	326	
DTC Confirmation Procedure	Diagnostic Procedure	330	
Wiring Diagram	DTC P0172, P0175 FUEL INJECTION SYSTEM FUNCTION	334	
Diagnostic Procedure	On Board Diagnosis Logic	334	
Removal and Installation	DTC Confirmation Procedure	334	
DTC P0132, P0152 A/F SENSOR 1	Wiring Diagram	336	
Component Description	Diagnostic Procedure	340	
CONSULT-III Reference Value in Data Monitor	DTC P0181 FTT SENSOR	344	
Mode	Component Description	344	
On Board Diagnosis Logic	On Board Diagnosis Logic	344	
DTC Confirmation Procedure	DTC Confirmation Procedure	344	
Wiring Diagram	Wiring Diagram	345	
Diagnostic Procedure	Diagnostic Procedure	346	
Removal and Installation	Component Inspection	347	
DTC P0133, P0153 A/F SENSOR 1	Removal and Installation	347	
Component Description			
CONSULT-III Reference Value in Data Monitor			

DTC P0182, P0183 FTT SENSOR	348	Mode	394
Component Description	348	On Board Diagnosis Logic	394
On Board Diagnosis Logic	348	DTC Confirmation Procedure	396
DTC Confirmation Procedure	348	Wiring Diagram	397
Wiring Diagram	349	Diagnostic Procedure	400
Diagnostic Procedure	350	Component Inspection	405
Component Inspection	351	Removal and Installation	405
Removal and Installation	351	DTC P0420, P0430 THREE WAY CATALYST FUNCTION	406
DTC P0196 EOT SENSOR	352	On Board Diagnosis Logic	406
Component Description	352	DTC Confirmation Procedure	406
On Board Diagnosis Logic	352	Overall Function Check	407
DTC Confirmation Procedure	353	Diagnostic Procedure	407
Diagnostic Procedure	354	DTC P0441 EVAP CONTROL SYSTEM	411
Component Inspection	355	System Description	411
Removal and Installation	355	On Board Diagnosis Logic	411
DTC P0197, P0198 EOT SENSOR	356	DTC Confirmation Procedure	411
Component Description	356	Overall Function Check	412
On Board Diagnosis Logic	356	Diagnostic Procedure	413
DTC Confirmation Procedure	356	DTC P0442 EVAP CONTROL SYSTEM	416
Wiring Diagram	357	On Board Diagnosis Logic	416
Diagnostic Procedure	358	DTC Confirmation Procedure	417
Component Inspection	360	Diagnostic Procedure	418
Removal and Installation	360	DTC P0443 EVAP CANISTER PURGE VOLUME CONTROL SOLENOID VALVE	423
DTC P0222, P0223, P2132, P2133 TP SENSOR ..	361	Description	423
Component Description	361	CONSULT-III Reference Value in Data Monitor	
CONSULT-III Reference Value in Data Monitor		Mode	423
Mode	361	On Board Diagnosis Logic	424
On Board Diagnosis Logic	361	DTC Confirmation Procedure	424
DTC Confirmation Procedure	362	Wiring Diagram	425
Wiring Diagram	363	Diagnostic Procedure	427
Diagnostic Procedure	367	Component Inspection	430
Component Inspection	369	Removal and Installation	430
Removal and Installation	370	DTC P0444, P0445 EVAP CANISTER PURGE VOLUME CONTROL SOLENOID VALVE	431
DTC P0300 - P0306 MULTIPLE CYLINDER MISFIRE, NO. 1 - 6 CYLINDER MISFIRE	371	Description	431
On Board Diagnosis Logic	371	CONSULT-III Reference Value in Data Monitor	
DTC Confirmation Procedure	372	Mode	431
Diagnostic Procedure	372	On Board Diagnosis Logic	432
DTC P0327, P0328, P0332, P0333 KS	379	DTC Confirmation Procedure	432
Component Description	379	Wiring Diagram	433
On Board Diagnosis Logic	379	Diagnostic Procedure	435
DTC Confirmation Procedure	379	Component Inspection	436
Wiring Diagram	380	Removal and Installation	436
Diagnostic Procedure	383	DTC P0447 EVAP CANISTER VENT CONTROL VALVE	437
Component Inspection	385	Component Description	437
Removal and Installation	385	CONSULT-III Reference Value in Data Monitor	
DTC P0335 CKP SENSOR (POS)	386	Mode	437
Component Description	386	On Board Diagnosis Logic	437
CONSULT-III Reference Value in Data Monitor		DTC Confirmation Procedure	438
Mode	386	Wiring Diagram	439
On Board Diagnosis Logic	386	Diagnostic Procedure	440
DTC Confirmation Procedure	387	Component Inspection	442
Wiring Diagram	388	DTC P0448 EVAP CANISTER VENT CONTROL VALVE	444
Diagnostic Procedure	390	Component Description	444
Component Inspection	393	CONSULT-III Reference Value in Data Monitor	
Removal and Installation	393		
DTC P0340, P0345 CMP SENSOR (PHASE)	394		
Component Description	394		
CONSULT-III Reference Value in Data Monitor			

Mode	444	DTC Confirmation Procedure	494	
On Board Diagnosis Logic	444	Diagnostic Procedure	494	A
DTC Confirmation Procedure	445	Removal and Installation	495	
Wiring Diagram	446	DTC P0500 VSS	496	
Diagnostic Procedure	447	Description	496	EC
Component Inspection	449	On Board Diagnosis Logic	496	
DTCP0451 EVAP CONTROL SYSTEM PRESSURE		DTC Confirmation Procedure	496	
SENSOR	450	Overall Function Check	497	
Component Description	450	Diagnostic Procedure	497	C
CONSULT-III Reference Value in Data Monitor		DTC P0506 ISC SYSTEM	498	
Mode	450	Description	498	D
On Board Diagnosis Logic	450	On Board Diagnosis Logic	498	
DTC Confirmation Procedure	451	DTC Confirmation Procedure	498	
Diagnostic Procedure	452	Diagnostic Procedure	498	
Component Inspection	455	DTC P0507 ISC SYSTEM	500	E
DTCP0452 EVAP CONTROL SYSTEM PRESSURE		Description	500	
SENSOR	456	On Board Diagnosis Logic	500	
Component Description	456	DTC Confirmation Procedure	500	F
CONSULT-III Reference Value in Data Monitor		Diagnostic Procedure	500	
Mode	456	DTC P0550 PSP SENSOR	502	
On Board Diagnosis Logic	456	Component Description	502	G
DTC Confirmation Procedure	457	CONSULT-III Reference Value in Data Monitor		
Wiring Diagram	458	Mode	502	
Diagnostic Procedure	460	On Board Diagnosis Logic	502	
Component Inspection	464	DTC Confirmation Procedure	502	H
DTCP0453 EVAP CONTROL SYSTEM PRESSURE		Wiring Diagram	503	
SENSOR	465	Diagnostic Procedure	505	
Component Description	465	Component Inspection	507	I
CONSULT-III Reference Value in Data Monitor		Removal and Installation	507	
Mode	465	DTC P0603 ECM POWER SUPPLY	508	
On Board Diagnosis Logic	466	Component Description	508	J
DTC Confirmation Procedure	466	On Board Diagnosis Logic	508	
Wiring Diagram	467	DTC Confirmation Procedure	508	
Diagnostic Procedure	469	Wiring Diagram	509	
Component Inspection	474	Diagnostic Procedure	510	K
DTC P0455 EVAP CONTROL SYSTEM	475	DTC P0605 ECM	512	
On Board Diagnosis Logic	475	Component Description	512	
DTC Confirmation Procedure	476	On Board Diagnosis Logic	512	L
Diagnostic Procedure	477	DTC Confirmation Procedure	512	
DTC P0456 EVAP CONTROL SYSTEM	482	Diagnostic Procedure	513	
On Board Diagnosis Logic	482	DTC P0643 SENSOR POWER SUPPLY	514	
DTC Confirmation Procedure	483	On Board Diagnosis Logic	514	M
Overall Function Check	483	DTC Confirmation Procedure	514	
Diagnostic Procedure	484	Wiring Diagram	515	
DTC P0460 FUEL LEVEL SENSOR	490	Diagnostic Procedure	517	
Component Description	490	DTC P0850 PNP SWITCH	520	
On Board Diagnosis Logic	490	Component Description	520	
DTC Confirmation Procedure	490	CONSULT-III Reference Value in Data Monitor		
Diagnostic Procedure	490	Mode	520	
Removal and Installation	491	On Board Diagnosis Logic	520	
DTC P0461 FUEL LEVEL SENSOR	492	DTC Confirmation Procedure	520	
Component Description	492	Overall Function Check	520	
On Board Diagnosis Logic	492	Wiring Diagram	522	
Overall Function Check	492	Diagnostic Procedure	525	
Diagnostic Procedure	493	DTC P1078 P1084 EVT CONTROL POSITION SEN-		
Removal and Installation	493	SOR	528	
DTC P0462, P0463 FUEL LEVEL SENSOR	494	Component Description	528	
Component Description	494	CONSULT-III Reference Value in Data Monitor		
On Board Diagnosis Logic	494	Mode	528	

On Board Diagnosis Logic	528	Component Description	580
DTC Confirmation Procedure	529	On Board Diagnosis Logic	580
Wiring Diagram	530	DTC Confirmation Procedure	580
Diagnostic Procedure	534	Diagnostic Procedure	581
Component Inspection	539	DTC P1239, P2135 TP SENSOR	582
Removal and Installation	539	Component Description	582
DTC P1148, P1168 CLOSED LOOP CONTROL ...	540	CONSULT-III Reference Value in Data Monitor	
On Board Diagnosis Logic	540	Mode	582
DTC P1211 TCS CONTROL UNIT	541	On Board Diagnosis Logic	582
Description	541	DTC Confirmation Procedure	583
On Board Diagnosis Logic	541	Wiring Diagram	584
DTC Confirmation Procedure	541	Diagnostic Procedure	588
Diagnostic Procedure	541	Component Inspection	590
DTC P1212 TCS COMMUNICATION LINE	542	Removal and Installation	591
Description	542	DTC P1290, P2100, P2103 THROTTLE CONTROL	
On Board Diagnosis Logic	542	MOTOR RELAY	592
DTC Confirmation Procedure	542	Component Description	592
Diagnostic Procedure	542	CONSULT-III Reference Value in Data Monitor	
DTC P1217 ENGINE OVER TEMPERATURE	543	Mode	592
Description	543	On Board Diagnosis Logic	592
CONSULT-III Reference Value in Data Monitor		DTC Confirmation Procedure	592
Mode	544	Wiring Diagram	594
On Board Diagnosis Logic	544	Diagnostic Procedure	597
Overall Function Check	545	DTC P1421 COLD START CONTROL	600
Wiring Diagram	547	Description	600
Diagnostic Procedure	549	On Board Diagnosis Logic	600
Main 12 Causes of Overheating	555	DTC Confirmation Procedure	600
Component Inspection	556	Diagnostic Procedure	600
DTC P1225, P1234 TP SENSOR	557	DTC P1564 ASCD STEERING SWITCH	602
Component Description	557	Component Description	602
On Board Diagnosis Logic	557	CONSULT-III Reference Value in Data Monitor	
DTC Confirmation Procedure	557	Mode	602
Diagnostic Procedure	558	On Board Diagnosis Logic	602
Removal and Installation	558	DTC Confirmation Procedure	603
DTC P1226, P1235 TP SENSOR	559	Wiring Diagram	604
Component Description	559	Diagnostic Procedure	606
On Board Diagnosis Logic	559	Component Inspection	609
DTC Confirmation Procedure	559	DTC P1572 ASCD BRAKE SWITCH	610
Diagnostic Procedure	560	Component Description	610
Removal and Installation	560	CONSULT-III Reference Value in Data Monitor	
DTC P1233, P2101 ELECTRIC THROTTLE CON-		Mode	610
TROL FUNCTION	561	On Board Diagnosis Logic	610
Description	561	DTC Confirmation Procedure	611
On Board Diagnosis Logic	561	Wiring Diagram	612
DTC Confirmation Procedure	561	Diagnostic Procedure	615
Wiring Diagram	562	Component Inspection	624
Diagnostic Procedure	566	DTC P1574 ASCD VEHICLE SPEED SENSOR ...	625
Component Inspection	570	Component Description	625
Removal and Installation	570	On Board Diagnosis Logic	625
DTC P1236, P2118 THROTTLE CONTROL MOTOR	571	DTC Confirmation Procedure	625
Component Description	571	Diagnostic Procedure	626
On Board Diagnosis Logic	571	DTC P1715 INPUT SPEED SENSOR (TURBINE	
DTC Confirmation Procedure	571	REVOLUTION SENSOR)	627
Wiring Diagram	572	Description	627
Diagnostic Procedure	576	CONSULT-III Reference Value in Data Monitor	
Component Inspection	579	Mode	627
Removal and Installation	579	On Board Diagnosis Logic	627
DTC P1238, P2119 ELECTRIC THROTTLE CON-		Diagnostic Procedure	627
TROL ACTUATOR	580	DTC P1805 BRAKE SWITCH	628

Description	628	ASCD INDICATOR	681
CONSULT-III Reference Value in Data Monitor		Component Description	681
Mode	628	CONSULT-III Reference Value in Data Monitor	
On Board Diagnosis Logic	628	Mode	681
DTC Confirmation Procedure	628	Wiring Diagram	682
Wiring Diagram	629	Diagnostic Procedure	683
Diagnostic Procedure	630	ELECTRICAL LOAD SIGNAL	684
Component Inspection	632	Description	684
DTC P2122, P2123 APP SENSOR	633	CONSULT-III Reference Value in Data Monitor	
Component Description	633	Mode	684
CONSULT-III Reference Value in Data Monitor		Diagnostic Procedure	684
Mode	633	FUEL INJECTOR	686
On Board Diagnosis Logic	633	Component Description	686
DTC Confirmation Procedure	634	CONSULT-III Reference Value in Data Monitor	
Wiring Diagram	635	Mode	686
Diagnostic Procedure	637	Wiring Diagram	687
Component Inspection	640	Diagnostic Procedure	688
Removal and Installation	640	Component Inspection	690
DTC P2127, P2128 APP SENSOR	641	Removal and Installation	690
Component Description	641	FUEL PUMP	691
CONSULT-III Reference Value in Data Monitor		Description	691
Mode	641	CONSULT-III Reference Value in Data Monitor	
On Board Diagnosis Logic	641	Mode	691
DTC Confirmation Procedure	642	Wiring Diagram	692
Wiring Diagram	643	Diagnostic Procedure	693
Diagnostic Procedure	645	Component Inspection	697
Component Inspection	648	Removal and Installation	697
Removal and Installation	649	IGNITION SIGNAL	698
DTC P2138 APP SENSOR	650	Component Description	698
Component Description	650	Wiring Diagram	699
CONSULT-III Reference Value in Data Monitor		Diagnostic Procedure	704
Mode	650	Component Inspection	708
On Board Diagnosis Logic	650	Removal and Installation	709
DTC Confirmation Procedure	651	REFRIGERANT PRESSURE SENSOR	710
Wiring Diagram	652	Component Description	710
Diagnostic Procedure	654	Wiring Diagram	711
Component Inspection	658	Diagnostic Procedure	712
Removal and Installation	658	Removal and Installation	715
DTC P2A00, P2A03 A/F SENSOR 1	659	MIL AND DATA LINK CONNECTOR	716
Component Description	659	Wiring Diagram	716
CONSULT-III Reference Value in Data Monitor		SERVICE DATA AND SPECIFICATIONS (SDS) ...	718
Mode	659	Fuel Pressure	718
On Board Diagnosis Logic	659	Idle Speed and Ignition Timing	718
DTC Confirmation Procedure	660	Calculated Load Value	718
Wiring Diagram	661	Mass Air Flow Sensor	718
Diagnostic Procedure	665	Intake Air Temperature Sensor	718
Removal and Installation	670	Engine Coolant Temperature Sensor	718
ASCD BRAKE SWITCH	671	Air Fuel Ratio (A/F) Sensor 1 Heater	718
Component Description	671	Heated Oxygen sensor 2 Heater	718
CONSULT-III Reference Value in Data Monitor		Crankshaft Position Sensor (POS)	718
Mode	671	Camshaft Position Sensor (PHASE)	718
Wiring Diagram	672	Throttle Control Motor	719
Diagnostic Procedure	675	Fuel Injector	719
Component Inspection	680	Fuel Pump	719

INDEX FOR DTC

INDEX FOR DTC

PF0:00024

DTC No. Index

NBS00027

NOTE:

- If DTC U1000 or U1001 is displayed with other DTC, first perform the trouble diagnosis for DTC U1000, U1001. Refer to [EC-151, "DTC U1000, U1001 CAN COMMUNICATION LINE"](#) .
- If DTC U1010 is displayed with other DTC, first perform the trouble diagnosis for DTC U1010. Refer to [EC-154, "DTC U1010 CAN COMMUNICATION"](#) .

DTC*1		Items (CONSULT-III screen terms)	Reference page
CONSULT-III GST*2	ECM*3		
U1000	1000*4	CAN COMM CIRCUIT	EC-151
U1001	1001*4	CAN COMM CIRCUIT	EC-151
U1010	1010	CONTROL UNIT(CAN)	EC-154
P0000	0000	NO DTC IS DETECTED. FURTHER TESTING MAY BE REQUIRED.	—
P0011	0011	INT/V TIM CONT-B1	EC-156
P0014	0014	EXH/V TIM CONT-B1	EC-160
P0021	0021	INT/V TIM CONT-B2	EC-156
P0024	0024	EXH/V TIM CONT-B2	EC-160
P0031	0031	A/F SEN1 HTR (B1)	EC-165
P0032	0032	A/F SEN1 HTR (B1)	EC-165
P0037	0037	HO2S2 HTR (B1)	EC-173
P0038	0038	HO2S2 HTR (B1)	EC-173
P0051	0051	A/F SEN1 HTR (B2)	EC-165
P0052	0052	A/F SEN1 HTR (B2)	EC-165
P0057	0057	HO2S2 HTR (B2)	EC-173
P0058	0058	HO2S2 HTR (B2)	EC-173
P0075	0075	INT/V TIM V/CIR-B1	EC-183
P0078	0078	EX V/T MGT/RTDR-B1	EC-190
P0081	0081	INT/V TIM V/CIR-B2	EC-183
P0084	0084	EX V/T MGT/RTDR-B2	EC-190
P0101	0101	MAF SEN/CIRCUIT-B1	EC-197
P0102	0102	MAF SEN/CIRCUIT-B1	EC-208
P0103	0103	MAF SEN/CIRCUIT-B1	EC-208
P010B	010B	MAF SEN/CIRCUIT-B2	EC-197
P010C	010C	MAF SEN/CIRCUIT-B2	EC-208
P010D	010D	MAF SEN/CIRCUIT-B2	EC-208
P0112	0112	IAT SEN/CIRCUIT-B1	EC-218
P0113	0113	IAT SEN/CIRCUIT-B1	EC-218
P0117	0117	ECT SEN/CIRC	EC-223
P0118	0118	ECT SEN/CIRC	EC-223
P0122	0122	TP SEN 2/CIRC-B1	EC-229
P0123	0123	TP SEN 2/CIRC-B1	EC-229
P0125	0125	ECT SENSOR	EC-239
P0127	0127	IAT SENSOR-B1	EC-243

INDEX FOR DTC

DTC*1		Items (CONSULT-III screen terms)	Reference page
CONSULT-III GST*2	ECM*3		
P0128	0128	THERMSTAT FNCTN	EC-246
P0130	0130	A/F SENSOR1 (B1)	EC-248
P0131	0131	A/F SENSOR1 (B1)	EC-257
P0132	0132	A/F SENSOR1 (B1)	EC-266
P0133	0133	A/F SENSOR1 (B1)	EC-275
P0137	0137	HO2S2 (B1)	EC-287
P0138	0138	HO2S2 (B1)	EC-298
P0139	0139	HO2S2 (B1)	EC-313
P0150	0150	A/F SENSOR1 (B2)	EC-248
P0151	0151	A/F SENSOR1 (B2)	EC-257
P0152	0152	A/F SENSOR1 (B2)	EC-266
P0153	0153	A/F SENSOR1 (B2)	EC-275
P0157	0157	HO2S2 (B2)	EC-287
P0158	0158	HO2S2 (B2)	EC-298
P0159	0159	HO2S2 (B2)	EC-313
P0171	0171	FUEL SYS-LEAN-B1	EC-324
P0172	0172	FUEL SYS-RICH-B1	EC-334
P0174	0174	FUEL SYS-LEAN-B2	EC-324
P0175	0175	FUEL SYS-RICH-B2	EC-334
P0181	0181	FTT SENSOR	EC-344
P0182	0182	FTT SEN/CIRCUIT	EC-348
P0183	0183	FTT SEN/CIRCUIT	EC-348
P0196	0196	EOT SENSOR	EC-352
P0197	0197	EOT SEN/CIRC	EC-348
P0198	0198	EOT SEN/CIRC	EC-348
P0222	0222	TP SEN 1/CIRC-B1	EC-361
P0223	0223	TP SEN 1/CIRC-B1	EC-361
P0227	0227	TP SEN 2/CIRC-B2	EC-229
P0228	0228	TP SEN 2/CIRC-B2	EC-229
P0300	0300	MULTI CYL MISFIRE	EC-371
P0301	0301	CYL 1 MISFIRE	EC-371
P0302	0302	CYL 2 MISFIRE	EC-371
P0303	0303	CYL 3 MISFIRE	EC-371
P0304	0304	CYL 4 MISFIRE	EC-371
P0305	0305	CYL 5 MISFIRE	EC-371
P0306	0306	CYL 6 MISFIRE	EC-371
P0327	0327	KNOCK SEN/CIRC-B1	EC-379
P0328	0328	KNOCK SEN/CIRC-B1	EC-379
P0332	0332	KNOCK SEN/CIRC-B2	EC-379
P0333	0333	KNOCK SEN/CIRC-B2	EC-379
P0335	0335	CKP SEN/CIRCUIT	EC-386
P0340	0340	CMP SEN/CIRC-B1	EC-394

INDEX FOR DTC

DTC*1		Items (CONSULT-III screen terms)	Reference page
CONSULT-III GST*2	ECM*3		
P0345	0345	CMP SEN/CIRC-B2	EC-394
P0420	0420	TW CATALYST SYS-B1	EC-406
P0430	0430	TW CATALYST SYS-B2	EC-406
P0441	0441	EVAP PURG FLOW/MON	EC-411
P0442	0442	EVAP SMALL LEAK	EC-416
P0443	0443	PURG VOLUME CONT/V	EC-423
P0444	0444	PURG VOLUME CONT/V	EC-431
P0445	0445	PURG VOLUME CONT/V	EC-431
P0447	0447	VENT CONTROL VALVE	EC-437
P0448	0448	VENT CONTROL VALVE	EC-444
P0451	0451	EVAP SYS PRES SEN	EC-450
P0452	0452	EVAP SYS PRES SEN	EC-456
P0453	0453	EVAP SYS PRES SEN	EC-465
P0455	0455	EVAP GROSS LEAK	EC-475
P0456	0456	EVAP VERY SML LEAK	EC-482
P0460	0460	FUEL LEV SEN SLOSH	EC-490
P0461	0461	FUEL LEVEL SENSOR	EC-492
P0462	0462	FUEL LEVL SEN/CIRC	EC-494
P0463	0463	FUEL LEVL SEN/CIRC	EC-494
P0500	0500	VEH SPEED SEN/CIRC	EC-496
P0506	0506	ISC SYSTEM	EC-498
P0507	0507	ISC SYSTEM	EC-500
P0550	0550	PW ST P SEN/CIRC	EC-502
P0603	0603	ECM BACK UP/CIRCUIT	EC-508
P0605	0605	ECM	EC-512
P0643	0643	SENSOR POWER/CIRC	EC-514
P0700	0700	TCM	AT-101
P0705	0705	PNP SW/CIRC	AT-102
P0710	0710	ATF TEMP SEN/CIRC	AT-134
P0717	0717	TURBINE SENSOR	AT-113
P0720	0720	VEH SPD SEN/CIR AT	AT-108
P0731	0731	A/T 1ST GR FNCTN	AT-115
P0732	0732	A/T 2ND GR FNCTN	AT-117
P0733	0733	A/T 3RD GR FNCTN	AT-119
P0734	0734	A/T 4TH GR FNCTN	AT-121
P0735	0735	A/T 5TH GR FNCTN	AT-123
P0740	0740	TCC SOLENOID/CIRC	AT-125
P0744	0744	A/T TCC S/V FNCTN	AT-127
P0745	0745	L/PRESS SOL/CIRC	AT-129
P0850	0850	P-N POS SW/CIRCUIT	EC-520
P1078	1078	EXH TIM SEN/CIR-B1	EC-528
P1084	1084	EXH TIM SEN/CIR-B2	EC-528

INDEX FOR DTC

DTC*1		Items (CONSULT-III screen terms)	Reference page
CONSULT-III GST*2	ECM*3		
P1148	1148	CLOSED LOOP-B1	EC-540
P1168	1168	CLOSED LOOP-B2	EC-540
P1211	1211	TCS C/U FUNCTN	EC-541
P1212	1212	TCS/CIRC	EC-542
P1217	1217	ENG OVER TEMP	EC-543
P1225	1225	CTP LEARNING-B1	EC-557
P1226	1226	CTP LEARNING-B1	EC-559
P1233	1233	ETC FUNCTION/CIRC-B2	EC-561
P1234	1234	CTP LEARNING-B2	EC-557
P1235	1235	CTP LEARNING-B2	EC-559
P1236	1236	ETC MOT-B2	EC-571
P1238	1238	ETC ACTR-B2	EC-580
P1239	1239	TP SENSOR-B2	EC-582
P1290	1290	ETC MOT PWR-B2	EC-592
P1421	1421	COLD START CONTROL	EC-600
P1564	1564	ASCD SW	EC-602
P1572	1572	ASCD BRAKE SW	EC-610
P1574	1574	ASCD VHL SPD SEN	EC-625
P1610 - P1615	1610 - 1615	NATS MALFUNCTION	EC-46
P1715	1715	IN PULY SPEED	EC-627
P1730	1730	A/T INTERLOCK	AT-141
P1752	1752	I/C SOLENOID/CIRC	AT-145
P1757	1757	FR/B SOLENOID/CIRC	AT-147
P1762	1762	D/C SOLENOID/CIRC	AT-149
P1767	1767	HLR/C SOL/CIRC	AT-151
P1772	1772	LC/B SOLENOID/CIRC	AT-153
P1774	1774	LC/B SOLENOID FNCT	AT-155
P1805	1805	BRAKE SW/CIRCUIT	EC-628
P2100	2100	ETC MOT PWR-B1	EC-592
P2101	2101	ETC FUNCTION/CIRC-B1	EC-561
P2103	2103	ETC MOT PWR	EC-592
P2118	2118	ETC MOT-B1	EC-571
P2119	2119	ETC ACTR-B1	EC-580
P2122	2122	APP SEN 1/CIRC	EC-633
P2123	2123	APP SEN 1/CIRC	EC-633
P2127	2127	APP SEN 2/CIRC	EC-641
P2128	2128	APP SEN 2/CIRC	EC-641
P2132	2132	TP SEN 1/CIRC-B2	EC-361
P2133	2133	TP SEN 1/CIRC-B2	EC-361
P2135	2135	TP SENSOR-B1	EC-582
P2138	2138	APP SENSOR	EC-650

INDEX FOR DTC

DTC*1		Items (CONSULT-III screen terms)	Reference page
CONSULT-III GST*2	ECM*3		
P2A00	2A00	A/F SENSOR1 (B1)	EC-659
P2A03	2A03	A/F SENSOR1 (B2)	EC-659

*1: 1st trip DTC No. is the same as DTC No.

*2: This number is prescribed by SAE J2012.

*3: In Diagnostic Test Mode II (Self-diagnostic results), this number is controlled by NISSAN.

*4: The troubleshooting for this DTC needs CONSULT-III.

INDEX FOR DTC

Alphabetical Index

NBS00028

NOTE:

- If DTC U1000 or U1001 is displayed with other DTC, first perform the trouble diagnosis for DTC U1000, U1001. Refer to [EC-151, "DTC U1000, U1001 CAN COMMUNICATION LINE"](#).
- If DTC U1010 is displayed with other DTC, first perform the diagnosis for DTC U1010. Refer to [EC-154, "DTC U1010 CAN COMMUNICATION"](#).

Items (CONSULT-III screen terms)	DTC*1		Reference page
	CONSULT-III GST*2	ECM*3	
A/F SEN1 HTR (B1)	P0031	0031	EC-165
A/F SEN1 HTR (B1)	P0032	0032	EC-165
A/F SEN1 HTR (B2)	P0051	0051	EC-165
A/F SEN1 HTR (B2)	P0052	0052	EC-165
A/F SENSOR1 (B1)	P0130	0130	EC-248
A/F SENSOR1 (B1)	P0131	0131	EC-257
A/F SENSOR1 (B1)	P0132	0132	EC-266
A/F SENSOR1 (B1)	P0133	0133	EC-275
A/F SENSOR1 (B1)	P2A00	2A00	EC-659
A/F SENSOR1 (B2)	P0150	0150	EC-248
A/F SENSOR1 (B2)	P0151	0151	EC-257
A/F SENSOR1 (B2)	P0152	0152	EC-266
A/F SENSOR1 (B2)	P0153	0153	EC-275
A/F SENSOR1 (B2)	P2A03	2A03	EC-659
A/T 1ST GR FNCTN	P0731	0731	AT-115
A/T 2ND GR FNCTN	P0732	0732	AT-117
A/T 3RD GR FNCTN	P0733	0733	AT-119
A/T 4TH GR FNCTN	P0734	0734	AT-121
A/T 5TH GR FNCTN	P0735	0735	AT-123
A/T INTERLOCK	P1730	1730	AT-141
A/T TCC S/V FNCTN	P0744	0744	AT-127
APP SEN 1/CIRC	P2122	2122	EC-633
APP SEN 1/CIRC	P2123	2123	EC-633
APP SEN 2/CIRC	P2127	2127	EC-641
APP SEN 2/CIRC	P2128	2128	EC-641
APP SENSOR	P2138	2138	EC-650
ASCD BRAKE SW	P1572	1572	EC-610
ASCD SW	P1564	1564	EC-602
ASCD VHL SPD SEN	P1574	1574	EC-625
ATF TEMP SEN/CIRC	P0710	0710	AT-134
BRAKE SW/CIRCUIT	P1805	1805	EC-628
CAN COMM CIRCUIT	U1000	1000*4	EC-151
CAN COMM CIRCUIT	U1001	1001*4	EC-151
CKP SEN/CIRCUIT	P0335	0335	EC-386
CLOSED LOOP-B1	P1148	1148	EC-540
CLOSED LOOP-B2	P1168	1168	EC-540
CMP SEN/CIRC-B1	P0340	0340	EC-394

INDEX FOR DTC

Items (CONSULT-III screen terms)	DTC*1		Reference page
	CONSULT-III GST*2	ECM*3	
CMP SEN/CIRC-B2	P0345	0345	EC-394
COLD START CONTROL	P1421	1421	EC-600
CONTROL UNIT(CAN)	U1010	1010	EC-154
CTP LEARNING-B1	P1225	1225	EC-557
CTP LEARNING-B1	P1226	1226	EC-559
CTP LEARNING-B2	P1234	1234	EC-557
CTP LEARNING-B2	P1235	1235	EC-559
CYL 1 MISFIRE	P0301	0301	EC-371
CYL 2 MISFIRE	P0302	0302	EC-371
CYL 3 MISFIRE	P0303	0303	EC-371
CYL 4 MISFIRE	P0304	0304	EC-371
CYL 5 MISFIRE	P0305	0305	EC-371
CYL 6 MISFIRE	P0306	0306	EC-371
D/C SOLENOID/CIRC	P1762	1762	AT-149
ECM	P0605	0605	EC-512
ECM BACK UP/CIRCUIT	P0603	0603	EC-508
ECT SEN/CIRC	P0117	0117	EC-223
ECT SEN/CIRC	P0118	0118	EC-223
ECT SENSOR	P0125	0125	EC-239
ENG OVER TEMP	P1217	1217	EC-543
EOT SEN/CIRC	P0197	0197	EC-223
EOT SEN/CIRC	P0198	0198	EC-223
EOT SENSOR	P0196	0196	EC-352
ETC ACTR-B1	P2119	2119	EC-580
ETC ACTR-B2	P1238	1238	EC-580
ETC FUNCTION/CIRC-B1	P2101	2101	EC-561
ETC FUNCTION/CIRC-B2	P1233	1233	EC-561
ETC MOT PWR	P2103	2103	EC-592
ETC MOT PWR-B1	P2100	2100	EC-592
ETC MOT PWR-B2	P1290	1290	EC-592
ETC MOT-B1	P2118	2118	EC-571
ETC MOT-B2	P1236	1236	EC-571
EVAP GROSS LEAK	P0455	0455	EC-475
EVAP PURG FLOW/MON	P0441	0441	EC-411
EVAP SMALL LEAK	P0442	0442	EC-416
EVAP SYS PRES SEN	P0451	0451	EC-450
EVAP SYS PRES SEN	P0452	0452	EC-456
EVAP SYS PRES SEN	P0453	0453	EC-465
EVAP VERY SML LEAK	P0456	0456	EC-482
EX V/T MGT/RTDR-B1	P0078	0078	EC-190
EX V/T MGT/RTDR-B2	P0084	0084	EC-190
EXH TIM SEN/CIR-B1	P1078	1078	EC-528

INDEX FOR DTC

Items (CONSULT-III screen terms)	DTC*1		Reference page
	CONSULT-III GST*2	ECM*3	
EXH TIM SEN/CIR-B2	P1084	1084	EC-528
EXH/V TIM CONT-B1	P0014	0014	EC-160
EXH/V TIM CONT-B2	P0024	0024	EC-160
FR/B SOLENOID/CIRC	P1757	1757	AT-147
FTT SEN/CIRCUIT	P0182	0182	EC-348
FTT SEN/CIRCUIT	P0183	0183	EC-348
FTT SENSOR	P0181	0181	EC-344
FUEL LEV SEN SLOSH	P0460	0460	EC-490
FUEL LEVEL SENSOR	P0461	0461	EC-492
FUEL LEVL SEN/CIRC	P0462	0462	EC-494
FUEL LEVL SEN/CIRC	P0463	0463	EC-494
FUEL SYS-LEAN-B1	P0171	0171	EC-324
FUEL SYS-LEAN-B2	P0174	0174	EC-324
FUEL SYS-RICH-B1	P0172	0172	EC-334
FUEL SYS-RICH-B2	P0175	0175	EC-334
HLR/C SOL/CIRC	P1767	1767	AT-151
HO2S2 (B1)	P0137	0137	EC-287
HO2S2 (B1)	P0138	0138	EC-298
HO2S2 (B1)	P0139	0139	EC-313
HO2S2 (B2)	P0157	0157	EC-287
HO2S2 (B2)	P0158	0158	EC-298
HO2S2 (B2)	P0159	0159	EC-313
HO2S2 HTR (B1)	P0037	0037	EC-173
HO2S2 HTR (B1)	P0038	0038	EC-173
HO2S2 HTR (B2)	P0057	0057	EC-173
HO2S2 HTR (B2)	P0058	0058	EC-173
I/C SOLENOID/CIRC	P1752	1752	AT-145
IAT SEN/CIRCUIT-B1	P0112	0112	EC-218
IAT SEN/CIRCUIT-B1	P0113	0113	EC-218
IAT SENSOR-B1	P0127	0127	EC-243
IN PULY SPEED	P1715	1715	EC-627
INT/V TIM CONT-B1	P0011	0011	EC-156
INT/V TIM CONT-B2	P0021	0021	EC-156
INT/V TIM V/CIR-B1	P0075	0075	EC-183
INT/V TIM V/CIR-B2	P0081	0081	EC-183
ISC SYSTEM	P0506	0506	EC-498
ISC SYSTEM	P0507	0507	EC-500
KNOCK SEN/CIRC-B1	P0327	0327	EC-379
KNOCK SEN/CIRC-B1	P0328	0328	EC-379
KNOCK SEN/CIRC-B2	P0332	0332	EC-379
KNOCK SEN/CIRC-B2	P0333	0333	EC-379
L/PRESS SOL/CIRC	P0745	0745	AT-129

INDEX FOR DTC

Items (CONSULT-III screen terms)	DTC*1		Reference page
	CONSULT-III GST*2	ECM*3	
LC/B SOLENOID FNCT	P1774	1774	AT-155
LC/B SOLENOID/CIRC	P1772	1772	AT-153
MAF SEN/CIRCUIT-B1	P0101	0101	EC-197
MAF SEN/CIRCUIT-B1	P0102	0102	EC-208
MAF SEN/CIRCUIT-B1	P0103	0103	EC-208
MAF SEN/CIRCUIT-B2	P010B	010B	EC-197
MAF SEN/CIRCUIT-B2	P010C	010C	EC-208
MAF SEN/CIRCUIT-B2	P010D	010D	EC-208
MULTI CYL MISFIRE	P0300	0300	EC-371
NATS MALFUNCTION	P1610 - P1615	1610 - 1615	EC-46
NO DTC IS DETECTED. FURTHER TESTING MAY BE REQUIRED.	P0000	0000	—
P-N POS SW/CIRCUIT	P0850	0850	EC-520
PNP SW/CIRC	P0705	0705	AT-102
PURG VOLUME CONT/V	P0443	0443	EC-423
PURG VOLUME CONT/V	P0444	0444	EC-431
PURG VOLUME CONT/V	P0445	0445	EC-431
PW ST P SEN/CIRC	P0550	0550	EC-502
SENSOR POWER/CIRC	P0643	0643	EC-514
TCC SOLENOID/CIRC	P0740	0740	AT-125
TCM	P0700	0700	AT-101
TCS C/U FUNCTN	P1211	1211	EC-541
TCS/CIRC	P1212	1212	EC-542
THERMSTAT FNCTN	P0128	0128	EC-246
TP SEN 1/CIRC-B1	P0222	0222	EC-361
TP SEN 1/CIRC-B1	P0223	0223	EC-361
TP SEN 1/CIRC-B2	P2132	2132	EC-361
TP SEN 1/CIRC-B2	P2133	2133	EC-361
TP SEN 2/CIRC-B1	P0122	0122	EC-229
TP SEN 2/CIRC-B1	P0123	0123	EC-229
TP SEN 2/CIRC-B2	P0227	0227	EC-229
TP SEN 2/CIRC-B2	P0228	0228	EC-229
TP SENSOR-B1	P2135	2135	EC-582
TP SENSOR-B2	P1239	1239	EC-582
TURBINE SENSOR	P0717	0717	AT-113
TW CATALYST SYS-B1	P0420	0420	EC-406
TW CATALYST SYS-B2	P0430	0430	EC-406
VEH SPD SEN/CIR AT	P0720	0720	AT-108
VEH SPEED SEN/CIRC	P0500	0500	EC-496
VENT CONTROL VALVE	P0447	0447	EC-437
VENT CONTROL VALVE	P0448	0448	EC-444

*1: 1st trip DTC No. is the same as DTC No.

INDEX FOR DTC

*2: This number is prescribed by SAE J2012.

*3: In Diagnostic Test Mode II (Self-diagnostic results), this number is controlled by NISSAN.

*4: The troubleshooting for this DTC needs CONSULT-III.

A

EC

C

D

E

F

G

H

I

J

K

L

M

PRECAUTIONS

PRECAUTIONS

PFP:00001

Precautions for Supplemental Restraint System (SRS) “AIR BAG” and “SEAT BELT PRE-TENSIONER”

NBS00029

The Supplemental Restraint System such as “AIR BAG” and “SEAT BELT PRE-TENSIONER”, used along with a front seat belt, helps to reduce the risk or severity of injury to the driver and front passenger for certain types of collision. This system includes seat belt switch inputs and dual stage front air bag modules. The SRS system uses the seat belt switches to determine the front air bag deployment, and may only deploy one front air bag, depending on the severity of a collision and whether the front occupants are belted or unbelted. Information necessary to service the system safely is included in the SRS and SB section of this Service Manual.

WARNING:

- To avoid rendering the SRS inoperative, which could increase the risk of personal injury or death in the event of a collision which would result in air bag inflation, all maintenance must be performed by an authorized NISSAN/INFINITI dealer.
- Improper maintenance, including incorrect removal and installation of the SRS, can lead to personal injury caused by unintentional activation of the system. For removal of Spiral Cable and Air Bag Module, see the SRS section.
- Do not use electrical test equipment on any circuit related to the SRS unless instructed to in this Service Manual. SRS wiring harnesses can be identified by yellow and/or orange harnesses or harness connectors.

Precautions for Battery Service

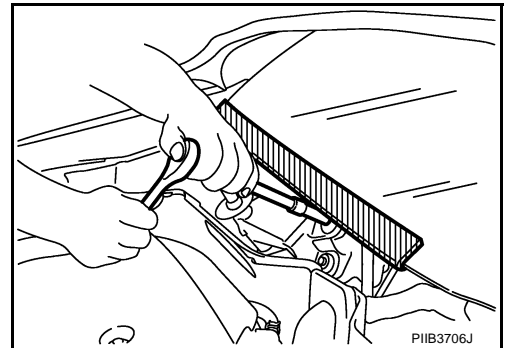
NBS0002A

Before disconnecting the battery, lower both the driver and passenger windows. This will prevent any interference between the window edge and the vehicle when the door is opened/closed. During normal operation, the window slightly raises and lowers automatically to prevent any window to vehicle interference. The automatic window function will not work with the battery disconnected.

Precautions for Procedures without Cowl Top Cover

NBS0007I

When performing the procedure after removing cowl top cover, cover the lower end of windshield with urethane, etc.



On Board Diagnostic (OBD) System of Engine and A/T

NBS0002B

The ECM has an on board diagnostic system. It will light up the malfunction indicator lamp (MIL) to warn the driver of a malfunction causing emission deterioration.

CAUTION:

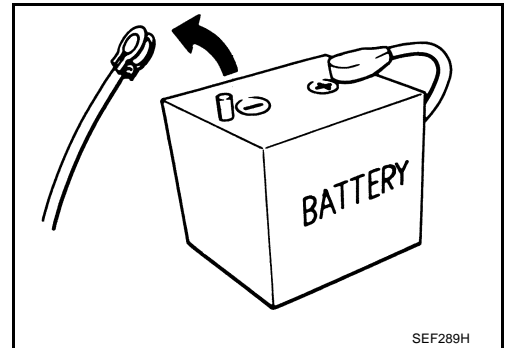
- Be sure to turn the ignition switch OFF and disconnect the negative battery cable before any repair or inspection work. The open/short circuit of related switches, sensors, solenoid valves, etc. will cause the MIL to light up.
- Be sure to connect and lock the connectors securely after work. A loose (unlocked) connector will cause the MIL to light up due to the open circuit. (Be sure the connector is free from water, grease, dirt, bent terminals, etc.)
- Certain systems and components, especially those related to OBD, may use a new style slide-locking type harness connector. For description and how to disconnect, refer to [PG-76, "HARNESS CONNECTOR"](#).
- Be sure to route and secure the harnesses properly after work. The interference of the harness with a bracket, etc. may cause the MIL to light up due to the short circuit.

PRECAUTIONS

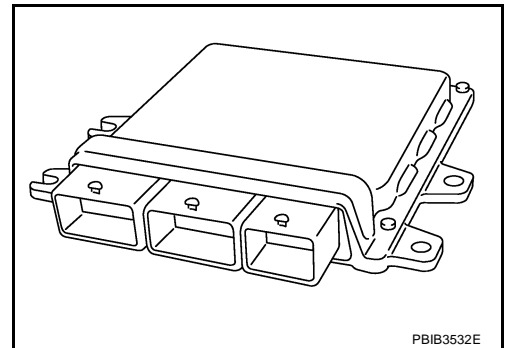
- Be sure to connect rubber tubes properly after work. A misconnected or disconnected rubber tube may cause the MIL to light up due to the malfunction of the EVAP system or fuel injection system, etc.
- Be sure to erase the unnecessary malfunction information (repairs completed) from the ECM and TCM (Transmission control module) before returning the vehicle to the customer.

Precaution

- Always use a 12 volt battery as power source.
- Do not attempt to disconnect battery cables while engine is running.
- Before connecting or disconnecting the ECM harness connector, turn ignition switch OFF and disconnect battery ground cable. Failure to do so may damage the ECM because battery voltage is applied to ECM even if ignition switch is turned OFF.
- Before removing parts, turn ignition switch OFF and then disconnect battery ground cable.



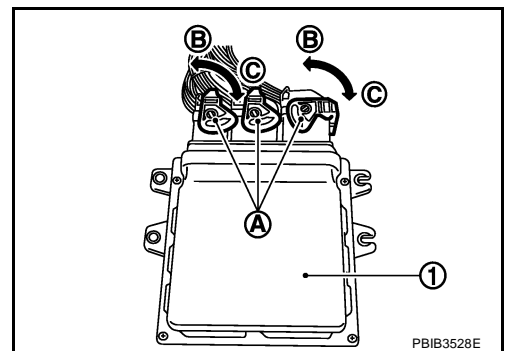
- Do not disassemble ECM.
- If a battery cable is disconnected, the memory will return to the ECM value. The ECM will now start to self-control at its initial value. Engine operation can vary slightly when the terminal is disconnected. However, this is not an indication of a malfunction. Do not replace parts because of a slight variation.
- If the battery is disconnected, the following emission related diagnostic information will be lost within 24 hours.



- Diagnostic trouble codes
- 1st trip diagnostic trouble codes
- Freeze frame data
- 1st freeze frame data
- System readiness test (SRT) codes
- Test values

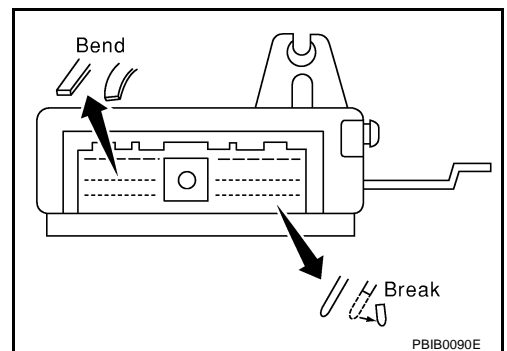
- When connecting ECM harness connector (A), fasten (B) it securely with a lever as far as it will go as shown in the figure.

- 1 : ECM
- C : Loosen



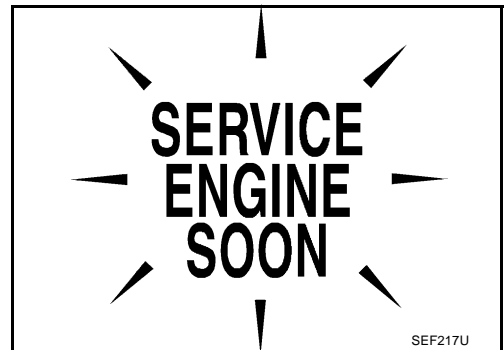
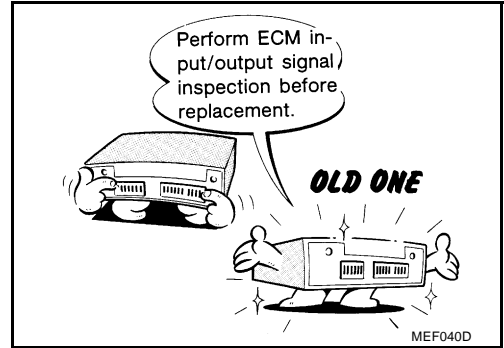
- When connecting or disconnecting pin connectors into or from ECM, take care not to damage pin terminals (bend or break). Make sure that there are not any bends or breaks on ECM pin terminal, when connecting pin connectors.

- Securely connect ECM harness connectors. A poor connection can cause an extremely high (surge) voltage to develop in coil and condenser, thus resulting in damage to ICs.

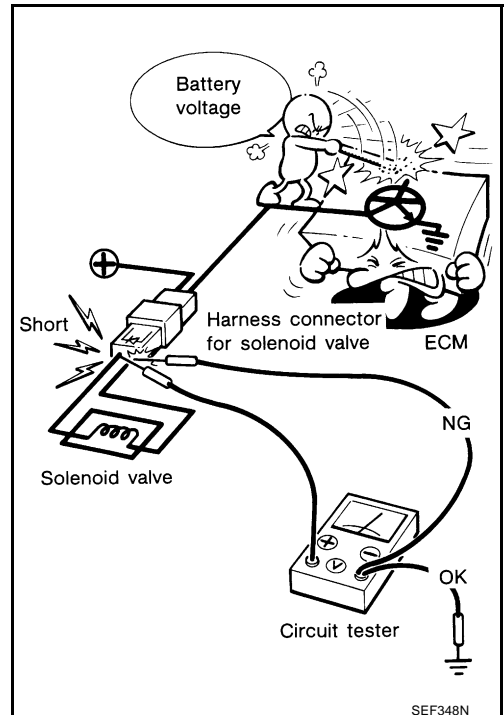


PRECAUTIONS

- Keep engine control system harness at least 10 cm (4 in) away from adjacent harness, to prevent engine control system malfunctions due to receiving external noise, degraded operation of ICs, etc.
- Keep engine control system parts and harness dry.
- Before replacing ECM, perform ECM Terminals and Reference Value inspection and make sure ECM functions properly. Refer to [EC-103. "ECM Terminals and Reference Value"](#).
- Handle mass air flow sensor carefully to avoid damage.
- Do not clean mass air flow sensor with any type of detergent.
- Do not disassemble electric throttle control actuator.
- Even a slight leak in the air intake system can cause serious incidents.
- Do not shock or jar the camshaft position sensor (PHASE), crankshaft position sensor (POS).
- After performing each TROUBLE DIAGNOSIS, perform DTC Confirmation Procedure or Overall Function Check. The DTC should not be displayed in the DTC Confirmation Procedure if the repair is completed. The Overall Function Check should be a good result if the repair is completed.

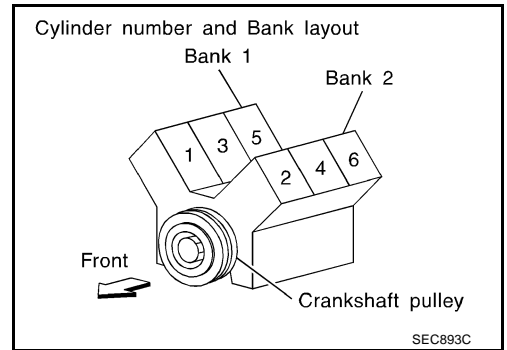


- When measuring ECM signals with a circuit tester, never allow the two tester probes to contact. Accidental contact of probes will cause a short circuit and damage the ECM power transistor.
- Do not use ECM ground terminals when measuring input/output voltage. Doing so may result in damage to the ECM's transistor. Use a ground other than ECM terminals, such as the ground.



PRECAUTIONS

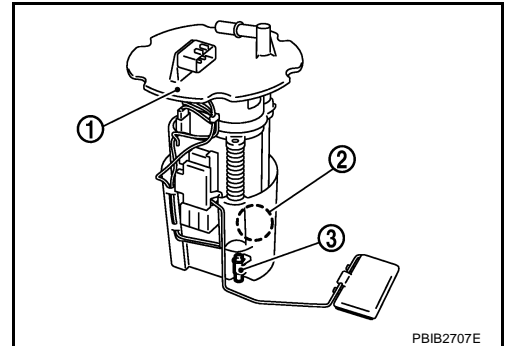
- **B1 indicates the bank 1, B2 indicates the bank 2 as shown in the figure.**



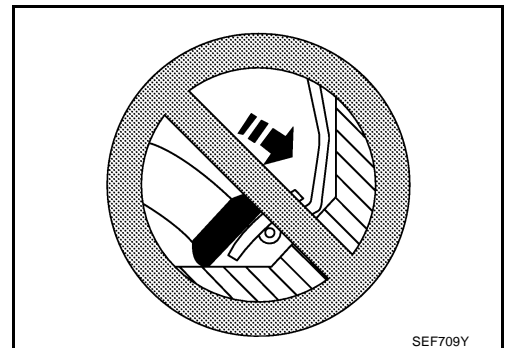
- **Do not operate fuel pump when there is no fuel in lines.**

- 1 : Fuel level sensor unit and fuel pump
- 2 : Fuel pressure regulator
- 3 : Fuel tank temperature sensor

- **Tighten fuel hose clamps to the specified torque.**

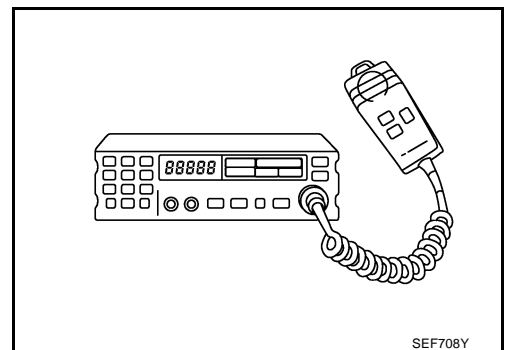


- **Do not depress accelerator pedal when starting.**
- **Immediately after starting, do not rev up engine unnecessarily.**
- **Do not rev up engine just prior to shutdown.**



- **When installing C.B. ham radio or a mobile phone, be sure to observe the following as it may adversely affect electronic control systems depending on installation location.**

- **Keep the antenna as far as possible from the electronic control units.**
- **Keep the antenna feeder line more than 20 cm (8 in) away from the harness of electronic controls. Do not let them run parallel for a long distance.**
- **Adjust the antenna and feeder line so that the standing-wave ratio can be kept smaller.**
- **Be sure to ground the radio to vehicle body.**



A
EC
C
D
E
F
G
H
I
J
K
L
M

PREPARATION

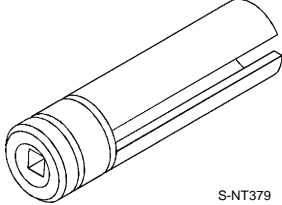
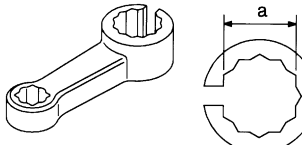
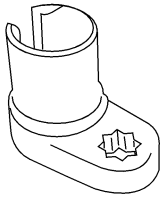
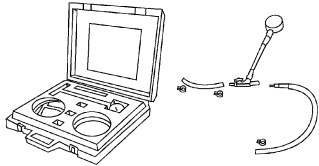
PREPARATION

PFP:00002

Special Service Tools

NBS0002E

The actual shapes of Kent-Moore tools may differ from those of special service tools illustrated here.

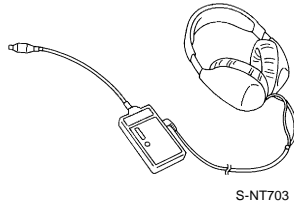
Tool number (Kent-Moore No.) Tool name	Description
KV10117100 (J-36471-A) Heated oxygen sensor wrench  <p style="text-align: right;">S-NT379</p>	Loosening or tightening heated oxygen sensor with 22 mm (0.87 in) hexagon nut
KV10114400 (J-38365) Heated oxygen sensor wrench  <p style="text-align: right;">S-NT636</p>	Loosening or tightening heated oxygen sensor a: 22 mm (0.87 in)
(J-44626) Air fuel ratio (A/F) sensor wrench  <p style="text-align: right;">LEM054</p>	Loosening or tightening air fuel ratio (A/F) sensor 1
(J-44321) Fuel pressure gauge kit  <p style="text-align: right;">LEC642</p>	Checking fuel pressure

PREPARATION

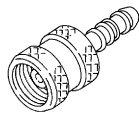
Commercial Service Tools

NBS0002F

Tool name (Kent-Moore No.)	Description
Leak detector i.e.: (J-41416)	Locating the EVAP leak
EVAP service port adapter i.e.: (J-41413-OBD)	Applying positive pressure through EVAP service port
Fuel filler cap adapter i.e.: (MLR-8382)	Checking fuel tank vacuum relief valve opening pressure
Socket wrench	Removing and installing engine coolant temperature sensor
Oxygen sensor thread cleaner i.e.: (J-43897-18) (J-43897-12)	Reconditioning the exhaust system threads before installing a new oxygen sensor. Use with anti-seize lubricant shown below. a: 18 mm diameter with pitch 1.5 mm for Zirconia Oxygen Sensor b: 12 mm diameter with pitch 1.25 mm for Titania Oxygen Sensor
Anti-seize lubricant i.e.: (Permatex™ 133AR or equivalent meeting MIL specification MIL-A-907)	Lubricating oxygen sensor thread cleaning tool when reconditioning exhaust system threads.



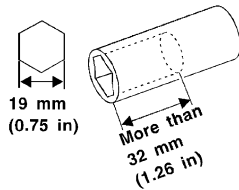
S-NT703



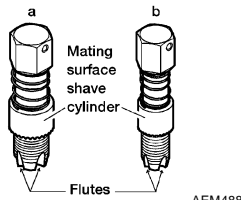
S-NT704



S-NT815



S-NT705



AEM488



S-NT779

A
EC
C
D
E
F
G
H
I
J
K
L
M

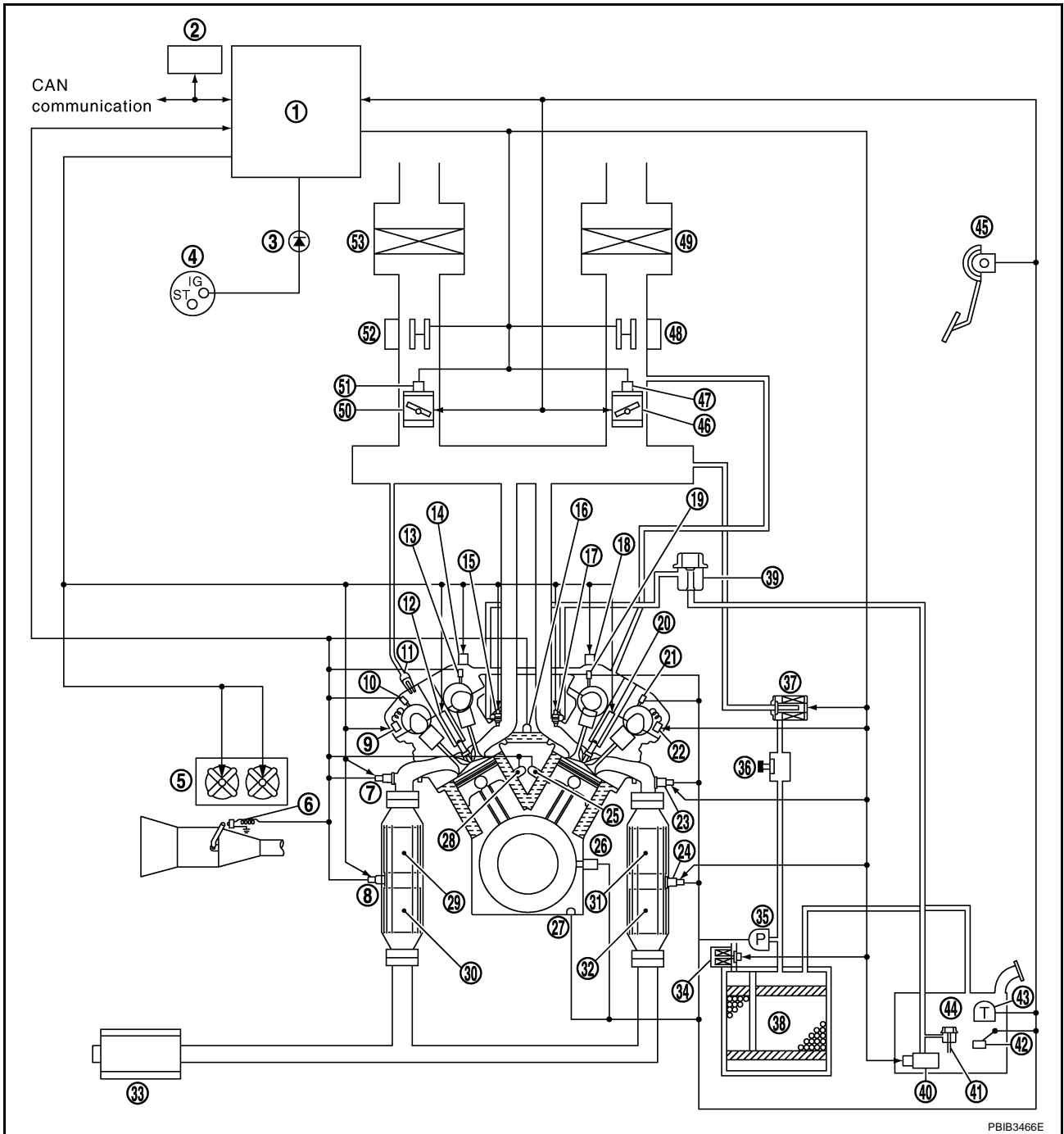
ENGINE CONTROL SYSTEM

PFP:23710

ENGINE CONTROL SYSTEM

System Diagram

NBS0002H



PBIB3466E

- | | | |
|--|--|--|
| 1. ECM | 2. Data link connector | 3. MIL |
| 4. Ignition switch | 5. Cooling fan | 6. PNP switch |
| 7. A/F sensor 1 | 8. Heated oxygen sensor 2 | 9. Exhaust valve timing control magnet retarder |
| 10. Exhaust valve timing control position sensor | 11. PCV valve | 12. Spark plug |
| 13. Camshaft position sensor (PHASE) | 14. Intake valve timing control solenoid valve | 15. Fuel injector |
| 16. Engine coolant temperature sensor | 17. Fuel injector | 18. Intake valve timing control solenoid valve |
| 19. Camshaft position sensor (PHASE) | 20. Spark plug | 21. Exhaust valve timing control position sensor |

ENGINE CONTROL SYSTEM

22. Exhaust valve timing control magnet retarder	23. A/F sensor 1	24. Heated oxygen sensor 2
25. Knock sensor	26. Crankshaft position sensor (POS)	27. Engine oil temperature sensor
28. Knock sensor	29. Three way catalyst 1	30. Three way catalyst 2
31. Three way catalyst 1	32. Three way catalyst 2	33. Muffler
34. EVAP canister vent control valve	35. EVAP control system pressure sensor	36. EVAP service port
37. EVAP canister purge volume control solenoid valve	38. EVAP canister	39. Fuel camper
40. Fuel pump	41. Fuel pressure regulator	42. Fuel level sensor
43. Fuel tank temperature sensor	44. Fuel tank	45. Accelerator pedal position sensor
46. Electric throttle control actuator	47. Throttle position sensor	48. Mass air flow sensor (with intake air temperature sensor)
49. Air cleaner	50. Electric throttle control actuator	51. Throttle position sensor
52. Mass air flow sensor (with intake air temperature sensor)	53. Air cleaner	

A
EC
C
D
E
F

Multiport Fuel Injection (MFI) System INPUT/OUTPUT SIGNAL CHART

NBS00021

Sensor	Input Signal to ECM	ECM function	Actuator
Crankshaft position sensor (POS)	Engine speed*3	Fuel injection & mixture ratio control	Fuel injector
Camshaft position sensor (PHASE)	Piston position		
Mass air flow sensor	Amount of intake air		
Engine coolant temperature sensor	Engine coolant temperature		
Air fuel ratio (A/F) sensor 1	Density of oxygen in exhaust gas		
Throttle position sensor	Throttle position		
Accelerator pedal position sensor	Accelerator pedal position		
Park/neutral position (PNP) switch	Gear position		
Knock sensor	Engine knocking condition		
Battery	Battery voltage*3		
Power steering pressure sensor	Power steering operation		
Heated oxygen sensor 2*1	Density of oxygen in exhaust gas		
Air conditioner switch	Air conditioner operation*2		
Wheel sensor	Vehicle speed*2		

G
H
I
J
K
L
M

*1: This sensor is not used to control the engine system under normal conditions.

*2: This signal is sent to the ECM through CAN communication line.

*3: ECM determines the start signal status by the signals of engine speed and battery voltage.

SYSTEM DESCRIPTION

The amount of fuel injected from the fuel injector is determined by the ECM. The ECM controls the length of time the valve remains open (injection pulse duration). The amount of fuel injected is a program value in the ECM memory. The program value is preset by engine operating conditions. These conditions are determined by input signals (for engine speed and intake air) from both the crankshaft position sensor and the mass air flow sensor.

VARIOUS FUEL INJECTION INCREASE/DECREASE COMPENSATION

In addition, the amount of fuel injected is compensated to improve engine performance under various operating conditions as listed below.

<Fuel increase>

- During warm-up
- When starting the engine
- During acceleration
- Hot-engine operation

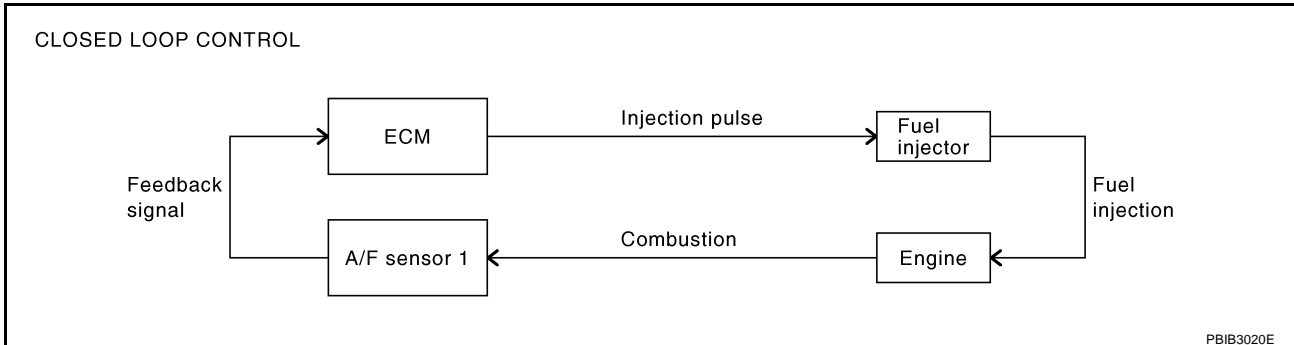
ENGINE CONTROL SYSTEM

- When selector lever is changed from N to D (A/T models)
- High-load, high-speed operation

<Fuel decrease>

- During deceleration
- During high engine speed operation

MIXTURE RATIO FEEDBACK CONTROL (CLOSED LOOP CONTROL)



The mixture ratio feedback system provides the best air-fuel mixture ratio for driveability and emission control. The three way catalyst 1 can then better reduce CO, HC and NO_x emissions. This system uses air fuel ratio (A/F) sensor 1 in the exhaust manifold to monitor whether the engine operation is rich or lean. The ECM adjusts the injection pulse width according to the sensor voltage signal. For more information about air fuel ratio (A/F) sensor 1, refer to [EC-257, "DTC P0131, P0151 A/F SENSOR 1"](#). This maintains the mixture ratio within the range of stoichiometric (ideal air-fuel mixture).

This stage is referred to as the closed loop control condition.

Heated oxygen sensor 2 is located downstream of the three way catalyst 1. Even if the switching characteristics of air fuel ratio (A/F) sensor 1 shift, the air-fuel ratio is controlled to stoichiometric by the signal from heated oxygen sensor 2.

Open Loop Control

The open loop system condition refers to when the ECM detects any of the following conditions. Feedback control stops in order to maintain stabilized fuel combustion.

- Deceleration and acceleration
- High-load, high-speed operation
- Malfunction of air fuel ratio (A/F) sensor 1 or its circuit
- Insufficient activation of air fuel ratio (A/F) sensor 1 at low engine coolant temperature
- High engine coolant temperature
- During warm-up
- After shifting from N to D (A/T models)
- When starting the engine

MIXTURE RATIO SELF-LEARNING CONTROL

The mixture ratio feedback control system monitors the mixture ratio signal transmitted from air fuel ratio (A/F) sensor 1. This feedback signal is then sent to the ECM. The ECM controls the basic mixture ratio as close to the theoretical mixture ratio as possible. However, the basic mixture ratio is not necessarily controlled as originally designed. Both manufacturing differences (i.e., mass air flow sensor hot wire) and characteristic changes during operation (i.e., fuel injector clogging) directly affect mixture ratio.

Accordingly, the difference between the basic and theoretical mixture ratios is monitored in this system. This is then computed in terms of "injection pulse duration" to automatically compensate for the difference between the two ratios.

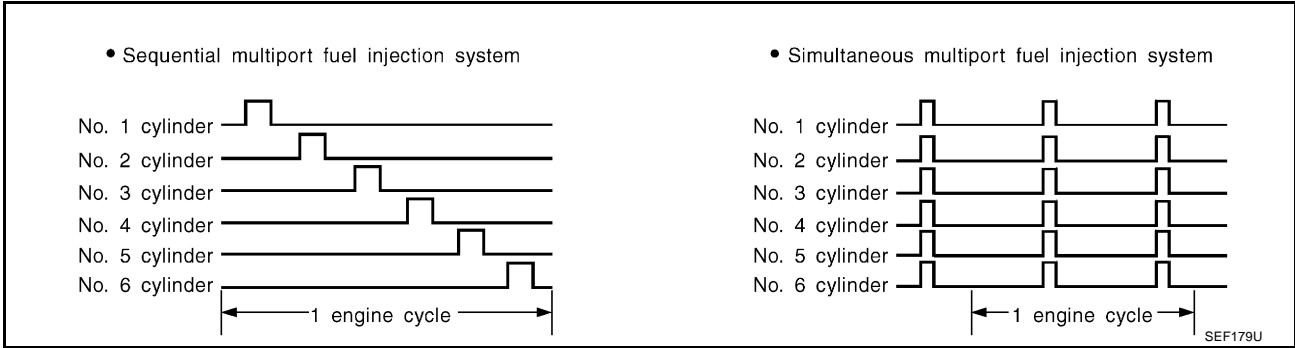
"Fuel trim" refers to the feedback compensation value compared against the basic injection duration. Fuel trim includes short term fuel trim and long term fuel trim.

"Short term fuel trim" is the short-term fuel compensation used to maintain the mixture ratio at its theoretical value. The signal from air fuel ratio (A/F) sensor 1 indicates whether the mixture ratio is RICH or LEAN compared to the theoretical value. The signal then triggers a reduction in fuel volume if the mixture ratio is rich, and an increase in fuel volume if it is lean.

ENGINE CONTROL SYSTEM

“Long term fuel trim” is overall fuel compensation carried out long-term to compensate for continual deviation of the short term fuel trim from the central value. Such deviation will occur due to individual engine differences, wear over time and changes in the usage environment.

FUEL INJECTION TIMING



Two types of systems are used.

Sequential Multiport Fuel Injection System

Fuel is injected into each cylinder during each engine cycle according to the firing order. This system is used when the engine is running.

Simultaneous Multiport Fuel Injection System

Fuel is injected simultaneously into all six cylinders twice each engine cycle. In other words, pulse signals of the same width are simultaneously transmitted from the ECM.

The six fuel injectors will then receive the signals two times for each engine cycle.

This system is used when the engine is being started and/or if the fail-safe system (CPU) is operating.

FUEL SHUT-OFF

Fuel to each cylinder is cut off during deceleration, operation of the engine at excessively high speeds or operation of the vehicle at excessively high speeds.

Electronic Ignition (EI) System INPUT/OUTPUT SIGNAL CHART

NBS0002J

Sensor	Input Signal to ECM	ECM function	Actuator
Crankshaft position sensor (POS)	Engine speed*2 Piston position	Ignition timing control	Power transistor
Camshaft position sensor (PHASE)			
Mass air flow sensor	Amount of intake air		
Engine coolant temperature sensor	Engine coolant temperature		
Throttle position sensor	Throttle position		
Accelerator pedal position sensor	Accelerator pedal position		
Knock sensor	Engine knocking		
Park/neutral position (PNP) switch	Gear position		
Battery	Battery voltage*2		
Wheel sensor	Vehicle speed*1		

*1: This signal is sent to the ECM through CAN communication line.

*2: ECM determines the start signal status by the signals of engine speed and battery voltage.

SYSTEM DESCRIPTION

Firing order: 1-2-3-4-5-6

The ignition timing is controlled by the ECM to maintain the best air-fuel ratio for every running condition of the engine. The ignition timing data is stored in the ECM.

The ECM receives information such as the injection pulse width and camshaft position sensor (PHASE) signal. Computing this information, ignition signals are transmitted to the power transistor.

During the following conditions, the ignition timing is revised by the ECM according to the other data stored in the ECM.

- At starting

ENGINE CONTROL SYSTEM

- During warm-up
- At idle
- At low battery voltage
- During acceleration

The knock sensor retard system is designed only for emergencies. The basic ignition timing is programmed within the anti-knocking zone, if recommended fuel is used under dry conditions. The retard system does not operate under normal driving conditions. If engine knocking occurs, the knock sensor monitors the condition. The signal is transmitted to the ECM. The ECM retards the ignition timing to eliminate the knocking condition.

Fuel Cut Control (at No Load and High Engine Speed) INPUT/OUTPUT SIGNAL CHART

NBS0002K

Sensor	Input Signal to ECM	ECM function	Actuator
Park/neutral position (PNP) switch	Neutral position	Fuel cut control	Fuel injector
Accelerator pedal position sensor	Accelerator pedal position		
Engine coolant temperature sensor	Engine coolant temperature		
Crankshaft position sensor (POS) Camshaft position sensor (PHASE)	Engine speed		
Wheel sensor	Vehicle speed*		

*: This signal is sent to the ECM through CAN communication line.

SYSTEM DESCRIPTION

If the engine speed is above 1,800 rpm under no load (for example, the shift position is neutral and engine speed is over 1,800 rpm) fuel will be cut off after some time. The exact time when the fuel is cut off varies based on engine speed.

Fuel cut will be operated until the engine speed reaches 1,500 rpm, then fuel cut will be cancelled.

NOTE:

This function is different from deceleration control listed under [EC-25, "Multiport Fuel Injection \(MFI\) System"](#) .

AIR CONDITIONING CUT CONTROL

AIR CONDITIONING CUT CONTROL

PDF:23710

Input/Output Signal Chart

NBS0002L

Sensor	Input Signal to ECM	ECM function	Actuator
Air conditioner switch	Air conditioner ON signal* ¹	Air conditioner cut control	Air conditioner relay
Throttle position sensor	Throttle position		
Accelerator pedal position sensor	Accelerator pedal position		
Crankshaft position sensor (POS) Camshaft position sensor (PHASE)	Engine speed* ²		
Engine coolant temperature sensor	Engine coolant temperature		
Refrigerant pressure sensor	Refrigerant pressure		
Power steering pressure sensor	Power steering operation		
Wheel sensor	Vehicle speed* ¹		
Battery	Battery voltage* ²		

*1: This signal is sent to the ECM through CAN communication line.

*2: ECM determines the start signal status by the signal of engine speed and battery voltage.

SYSTEM DESCRIPTION

This system improves engine operation when the air conditioner is used. Under the following conditions, the air conditioner is turned OFF.

- When the accelerator pedal is fully depressed.
- When cranking the engine.
- At high engine speeds.
- When the engine coolant temperature becomes excessively high.
- When operating power steering during low engine speed or low vehicle speed.
- When engine speed is excessively low.
- When refrigerant pressure is excessively low or high.

System Description

NBS0067J

This system improves engine operation when the air conditioner is used. Under the following conditions, the air conditioner is turned off.

- When the accelerator pedal is fully depressed.
- When cranking the engine.
- At high engine speeds.
- When the engine coolant temperature becomes excessively high.
- When operating power steering during low engine speed or low vehicle speed.
- When engine speed is excessively low.
- When refrigerant pressure is excessively low or high.

AUTOMATIC SPEED CONTROL DEVICE (ASCD)

AUTOMATIC SPEED CONTROL DEVICE (ASCD)

PFP:18930

System Description INPUT/OUTPUT SIGNAL CHART

NBS0002M

Sensor	Input signal to ECM	ECM function	Actuator
ASCD brake switch	Brake pedal operation	ASCD vehicle speed control	Electric throttle control actuator
Stop lamp switch	Brake pedal operation		
ASCD clutch switch (M/T models)	Clutch pedal operation		
ASCD steering switch	ASCD steering switch operation		
Park/neutral position (PNP) switch	Gear position		
Wheel sensor.	Vehicle speed*		
TCM (A/T models)	Powertrain revolution*		

*: This signal is sent to the ECM through CAN communication line.

BASIC ASCD SYSTEM

Refer to Owner's Manual for ASCD operating instructions.

Automatic Speed Control Device (ASCD) allows a driver to keep vehicle at predetermined constant speed without depressing accelerator pedal. Driver can set vehicle speed in advance between approximately 40 km/h (25 MPH) and 144 km/h (89 MPH).

ECM controls throttle angle of electric throttle control actuator to regulate engine speed.

Operation status of ASCD is indicated by CRUISE indicator and SET indicator in combination meter. If any malfunction occurs in ASCD system, it automatically deactivates control.

NOTE:

Always drive vehicle in safe manner according to traffic conditions and obey all traffic laws.

SET OPERATION

Press MAIN switch. (The CRUISE indicator in combination meter illuminates.)

When vehicle speed reaches a desired speed between approximately 40 km/h (25 MPH) and 144 km/h (89 MPH), press SET/COAST switch. (Then SET indicator in combination meter illuminates.)

ACCELERATE OPERATION

If the RESUME/ACCELERATE switch is pressed during cruise control driving, increase the vehicle speed until the switch is released or vehicle speed reaches maximum speed controlled by the system.

And then ASCD will keep the new set speed.

CANCEL OPERATION

When any of following conditions exist, cruise operation will be canceled.

- CANCEL switch is pressed
- More than 2 switches at ASCD steering switch are pressed at the same time (Set speed will be cleared)
- Brake pedal is depressed
- Clutch pedal is depressed or gear position is changed to the neutral position (M/T models)
- Selector lever is changed to N, P, R position (A/T models)
- Vehicle speed decreased to 13 km/h (8 MPH) lower than the set speed
- VDC/TCS system is operated

When the ECM detects any of the following conditions, the ECM will cancel the cruise operation and inform the driver by blinking indicator lamp.

- Engine coolant temperature is slightly higher than the normal operating temperature, CRUISE lamp may blink slowly.

When the engine coolant temperature decreases to the normal operating temperature, CRUISE lamp will stop blinking and the cruise operation will be able to work by pressing SET/COAST switch or RESUME/ACCELERATE switch.

- Malfunction for some self-diagnoses regarding ASCD control: SET lamp will blink quickly.

If MAIN switch is turned to OFF during ASCD is activated, all of ASCD operations will be canceled and vehicle speed memory will be erased.

AUTOMATIC SPEED CONTROL DEVICE (ASCD)

COAST OPERATION

When the SET/COAST switch is pressed during cruise control driving, decrease vehicle set speed until the switch is released. And then ASCD will keep the new set speed.

A

RESUME OPERATION

When the RESUME/ACCELERATE switch is pressed after cancel operation other than pressing MAIN switch is performed, vehicle speed will return to last set speed. To resume vehicle set speed, vehicle condition must meet following conditions.

EC

- Brake pedal is released
- Clutch pedal is released (M/T models)
- A/T selector lever is in other than P and N positions (A/T models)
- Vehicle speed is greater than 40 km/h (25 MPH) and less than 144 km/h (89 MPH)

C

D

Component Description

ASCD STEERING SWITCH

Refer to [EC-602](#)

NBS0002N

E

ASCD BRAKE SWITCH

Refer to [EC-610](#) and [EC-671](#) .

F

ASCD CLUTCH SWITCH

Refer to [EC-610](#) and [EC-671](#) .

G

STOP LAMP SWITCH

Refer to [EC-610](#) , [EC-628](#) and [EC-671](#) .

H

ELECTRIC THROTTLE CONTROL ACTUATOR

Refer to [EC-561](#) , [EC-571](#) , [EC-580](#) and [EC-592](#) .

I

ASCD INDICATOR

Refer to [EC-681](#) .

J

K

L

M

CAN COMMUNICATION

PFP:23710

System Description

NBS00020

CAN (Controller Area Network) is a serial communication line for real time application. It is an on-vehicle multiplex communication line with high data communication speed and excellent error detection ability. Many electronic control units are equipped onto a vehicle, and each control unit shares information and links with other control units during operation (not independent). In CAN communication, control units are connected with 2 communication lines (CAN H line, CAN L line) allowing a high rate of information transmission with less wiring. Each control unit transmits/receives data but selectively reads required data only.

Refer to [LAN-48. "CAN System Specification Chart"](#) , about CAN communication for detail.

EVAPORATIVE EMISSION SYSTEM

EVAPORATIVE EMISSION SYSTEM

PPF:14950

Description SYSTEM DESCRIPTION

NBS0002P

A

EC

C

D

E

F

G

H

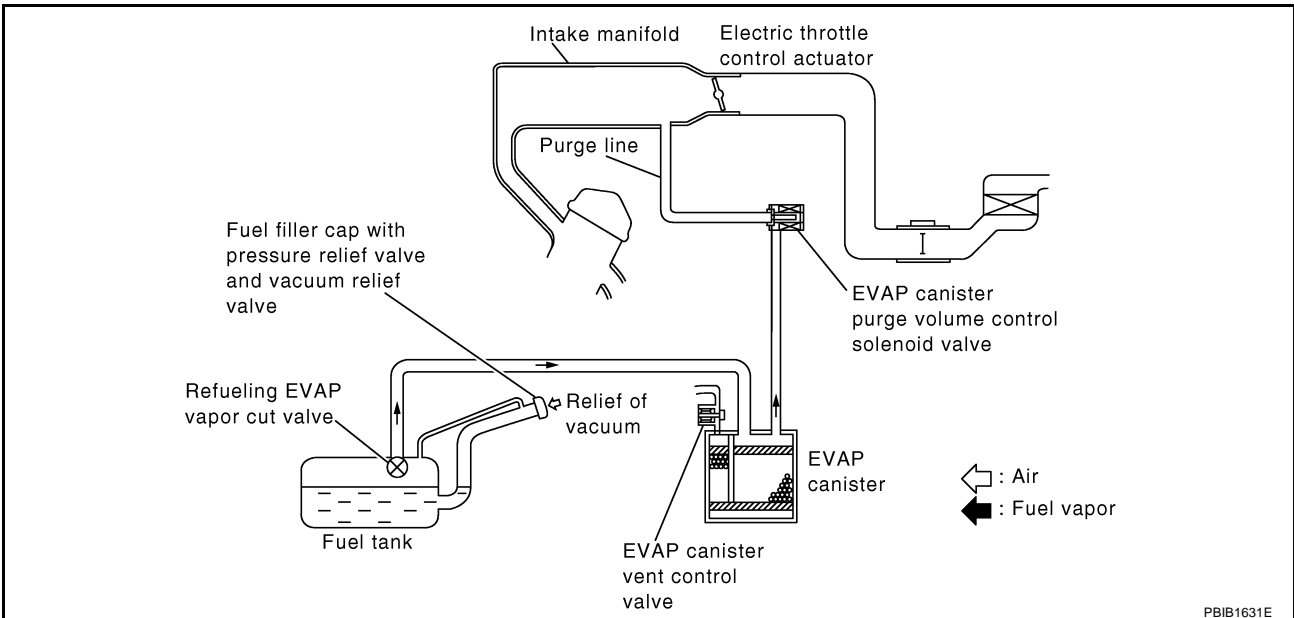
I

J

K

L

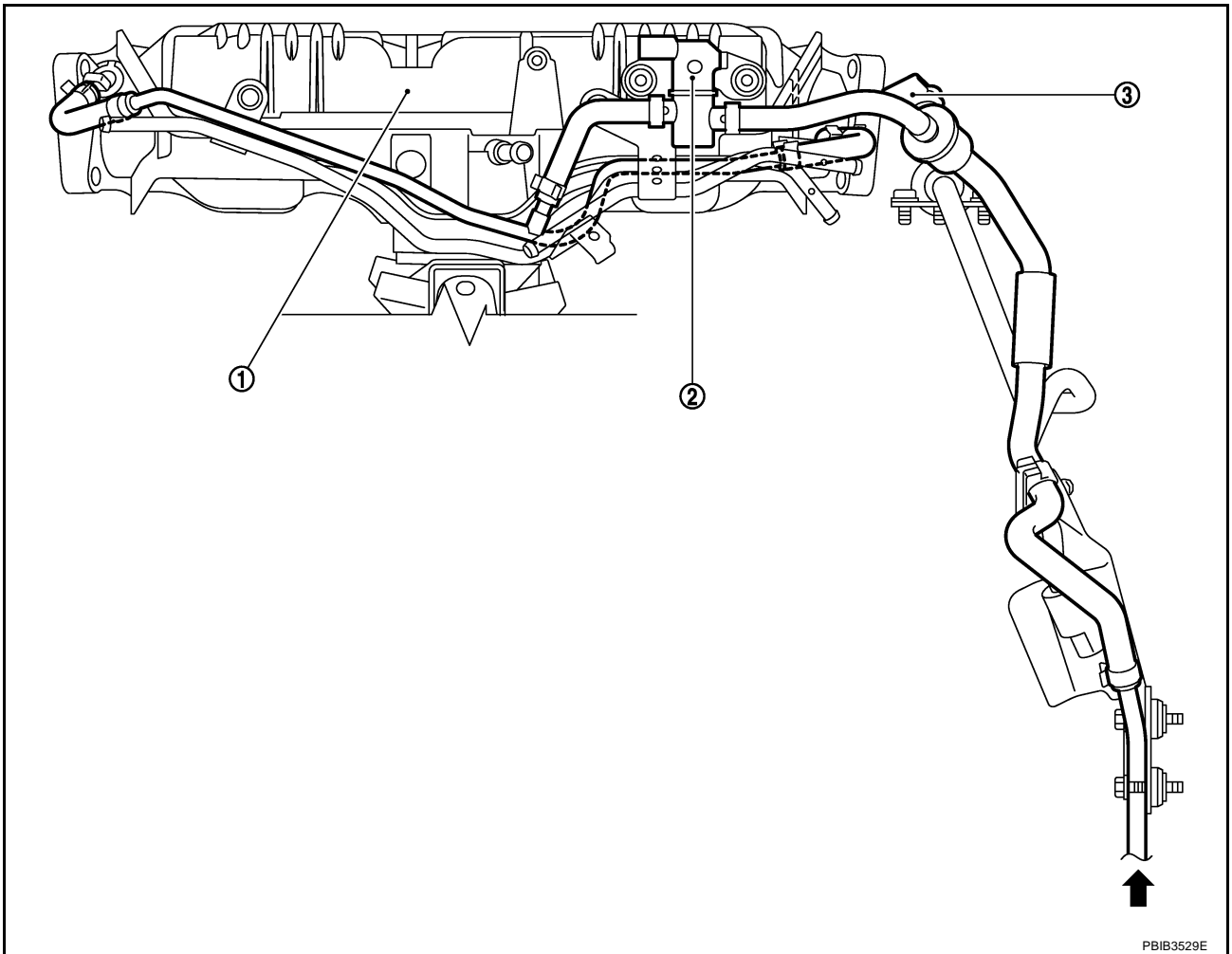
M



The evaporative emission system is used to reduce hydrocarbons emitted into the atmosphere from the fuel system. This reduction of hydrocarbons is accomplished by activated charcoals in the EVAP canister. The fuel vapor in the sealed fuel tank is led into the EVAP canister which contains activated carbon and the vapor is stored there when the engine is not operating or when refueling to the fuel tank. The vapor in the EVAP canister is purged by the air through the purge line to the intake manifold when the engine is operating. EVAP canister purge volume control solenoid valve is controlled by ECM. When the engine operates, the flow rate of vapor controlled by EVAP canister purge volume control solenoid valve is proportionally regulated as the air flow increases. EVAP canister purge volume control solenoid valve also shuts off the vapor purge line during decelerating and idling.

EVAPORATIVE EMISSION SYSTEM

EVAPORATIVE EMISSION LINE DRAWING



1. Intake manifold collector

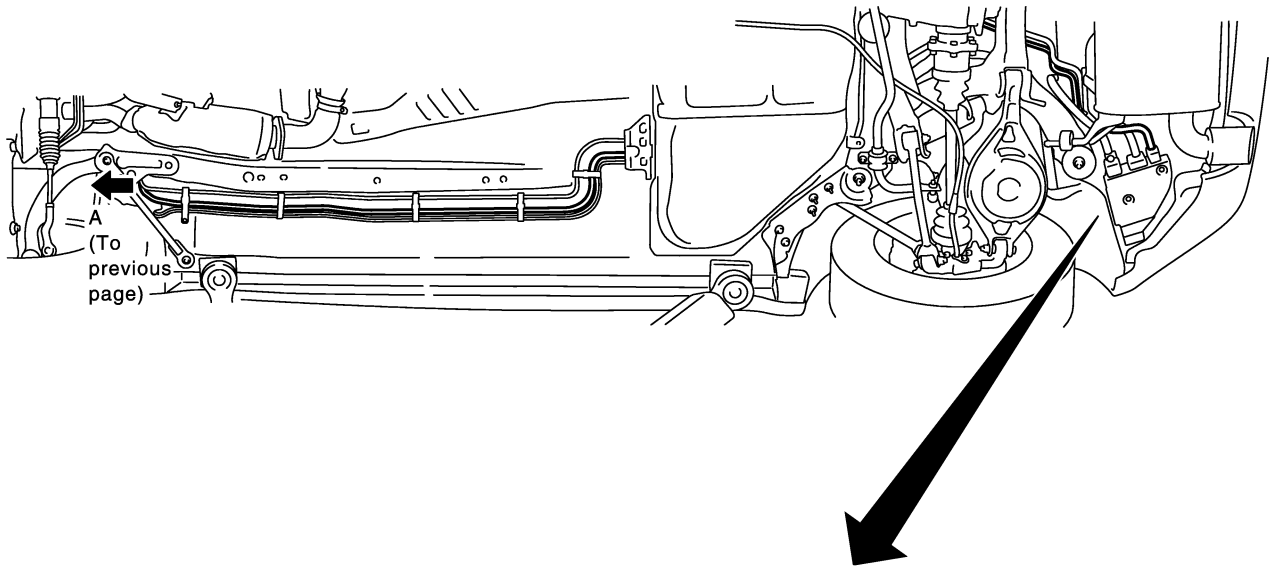
2. EVAP canister purge volume control solenoid valve

3. EVAP service port

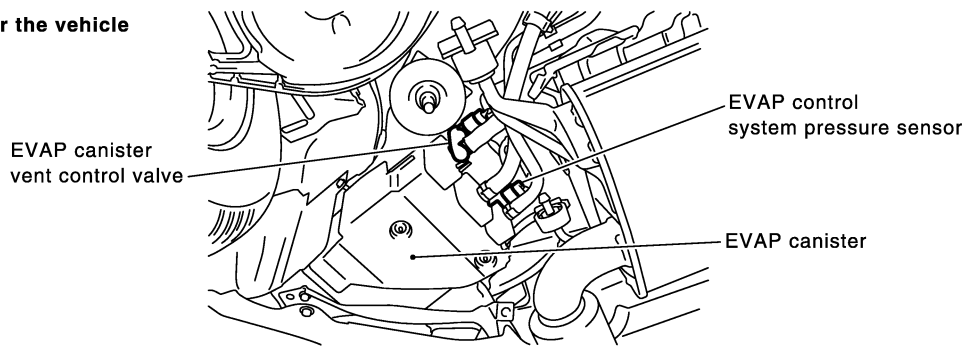
← From next page

EVAPORATIVE EMISSION SYSTEM

A
EC
C
D
E
F
G
H
I
J
K
L
M



View from under the vehicle



PBIB1066E

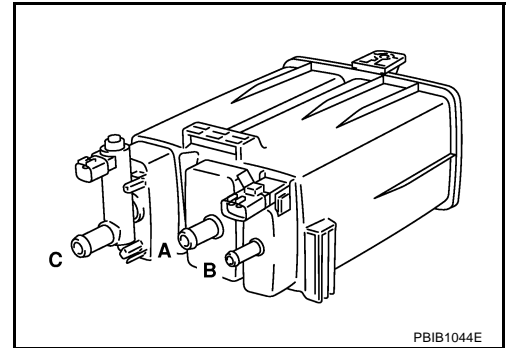
EVAPORATIVE EMISSION SYSTEM

NBS0002Q

Component Inspection EVAP CANISTER

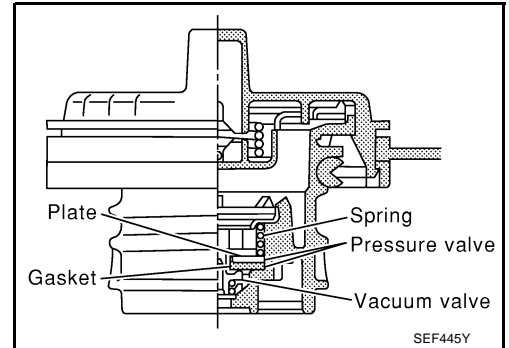
Check EVAP canister as follows:

1. Block port **B** .
2. Blow air into port **A** and check that it flows freely out of port **C** .
3. Release blocked port **B** .
4. Apply vacuum pressure to port **B** and check that vacuum pressure exists at the ports **A** and **C** .
5. Block port **A** and **B** .
6. Apply pressure to port **C** and check that there is no leakage.



FUEL TANK VACUUM RELIEF VALVE (BUILT INTO FUEL FILLER CAP)

1. Wipe clean valve housing.



2. Check valve opening pressure and vacuum.

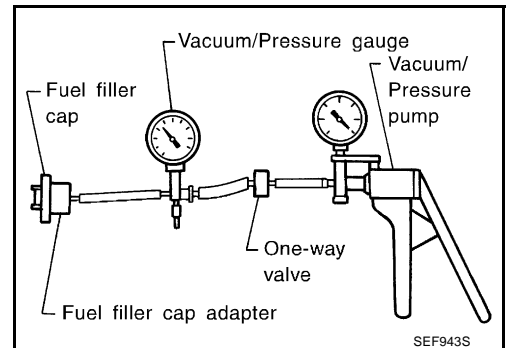
Pressure: 15.3 - 20.0 kPa (0.156 - 0.204 kg/cm² , 2.22 - 2.90 psi)

Vacuum: -6.0 to -3.3 kPa (-0.061 to -0.034 kg/cm² , -0.87 to -0.48 psi)

3. If out of specification, replace fuel filler cap as an assembly.

CAUTION:

Use only a genuine fuel filler cap as a replacement. If an incorrect fuel filler cap is used, the MIL may come on.



EVAP CANISTER PURGE VOLUME CONTROL SOLENOID VALVE

Refer to [EC-436](#) .

FUEL TANK TEMPERATURE SENSOR

Refer to [EC-347](#) .

EVAP CANISTER VENT CONTROL VALVE

Refer to [EC-442](#) .

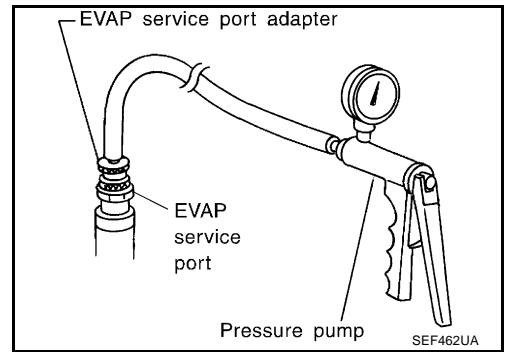
EVAP CONTROL SYSTEM PRESSURE SENSOR

Refer to [EC-455](#) .

EVAPORATIVE EMISSION SYSTEM

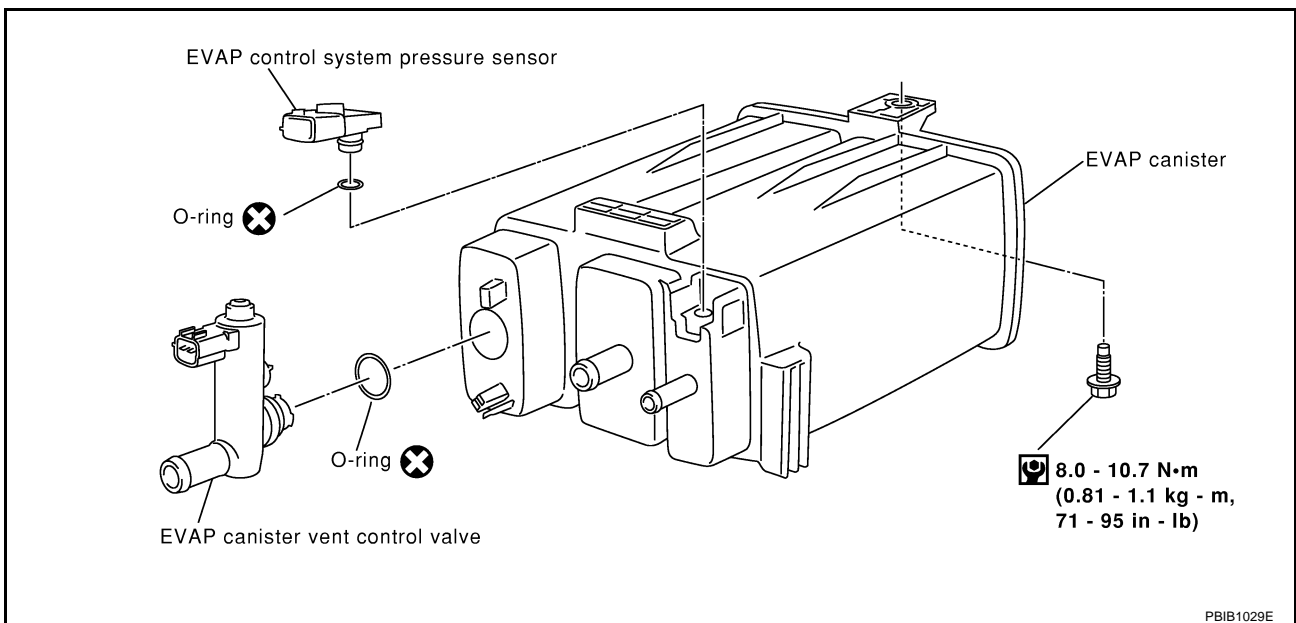
EVAP SERVICE PORT

Positive pressure is delivered to the EVAP system through the EVAP service port. If fuel vapor leakage in the EVAP system occurs, use a leak detector to locate the leak.



Removal and Installation EVAP CANISTER

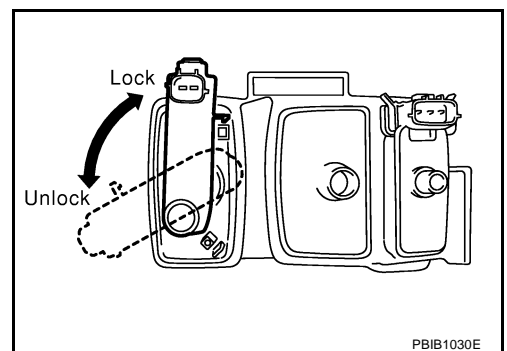
Tighten EVAP canister as shown in the figure.



EVAP CANISTER VENT CONTROL VALVE

1. Turn EVAP canister vent control valve counterclockwise.
2. Remove the EVAP canister vent control valve.

Always replace O-ring with a new one.



How to Detect Fuel Vapor Leakage

CAUTION:

- Never use compressed air or a high pressure pump.
- Do not exceed 4.12 kPa (0.042 kg/cm², 0.6 psi) of pressure in EVAP system.

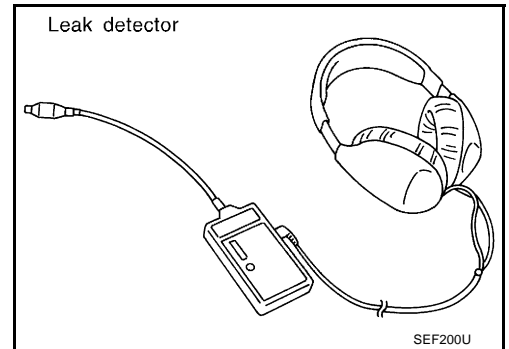
NOTE:

- Do not start engine.
- Improper installation of EVAP service port adapter to the EVAP service port may cause a leak.

EVAPORATIVE EMISSION SYSTEM

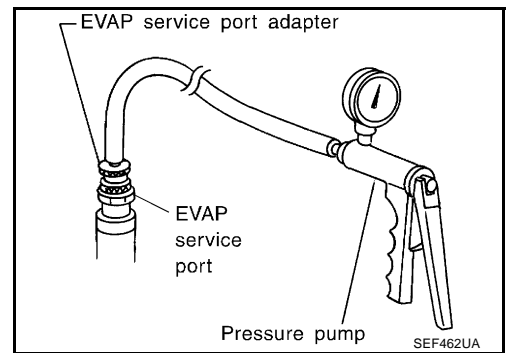
WITH CONSULT-III

1. Attach the EVAP service port adapter securely to the EVAP service port.
2. Also attach the pressure pump and hose to the EVAP service port adapter.
3. Turn ignition switch ON.
4. Select the "EVAP SYSTEM CLOSE" of "WORK SUPPORT MODE" with CONSULT-III.
5. Touch "START". A bar graph (Pressure indicating display) will appear on the screen.
6. Apply positive pressure to the EVAP system until the pressure indicator reaches the middle of the bar graph.
7. Remove EVAP service port adapter and hose with pressure pump.
8. Locate the leak using a leak detector. Refer to [EC-34, "EVAPORATIVE EMISSION LINE DRAWING"](#).

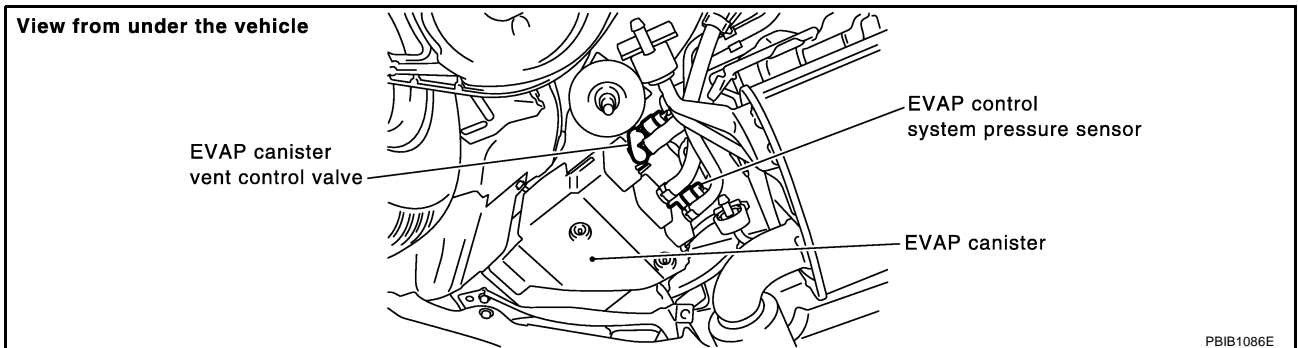


WITHOUT CONSULT-III

1. Attach the EVAP service port adapter securely to the EVAP service port.
2. Also attach the pressure pump with pressure gauge to the EVAP service port adapter.



3. Apply battery voltage between the terminals of EVAP canister vent control valve to make a closed EVAP system.



4. To locate the leak, deliver positive pressure to the EVAP system until pressure gauge points reach 1.38 to 2.76 kPa (0.014 to 0.028 kg/cm², 0.2 to 0.4 psi).
5. Remove EVAP service port adapter and hose with pressure pump.
6. Locate the leak using a leak detector. Refer to [EC-34, "EVAPORATIVE EMISSION LINE DRAWING"](#).

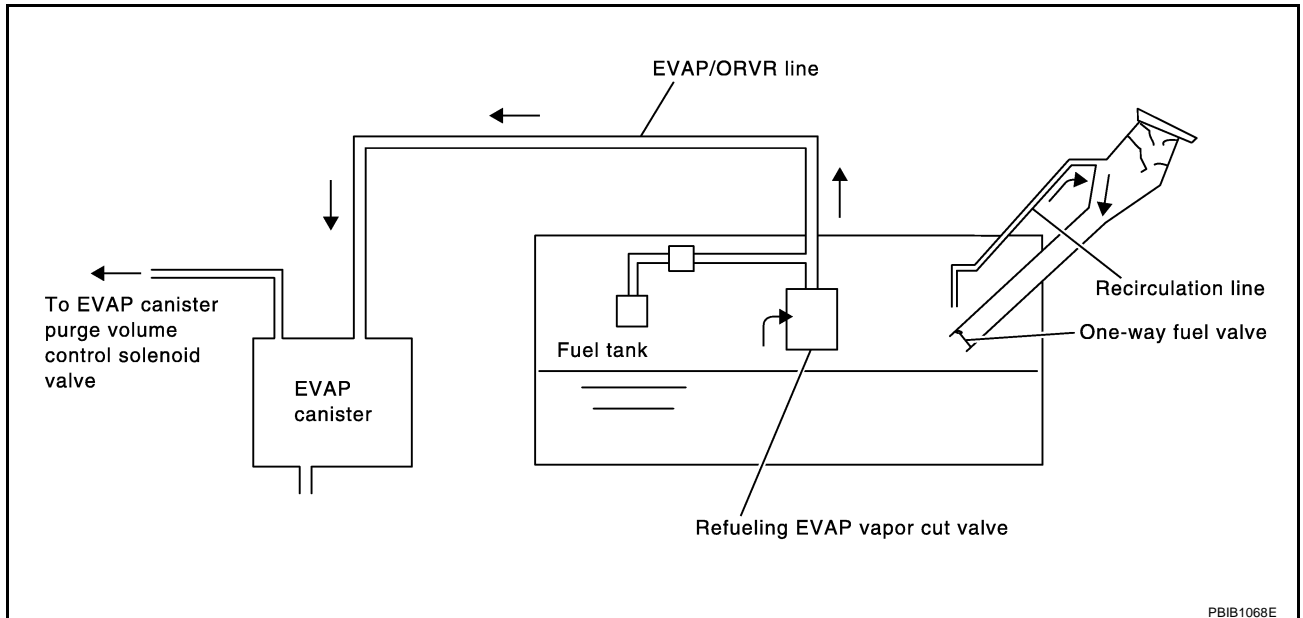
ON BOARD REFUELING VAPOR RECOVERY (ORVR)

ON BOARD REFUELING VAPOR RECOVERY (ORVR)

PFP:00032

System Description

NBS0002T



From the beginning of refueling, the air and vapor inside the fuel tank go through refueling EVAP vapor cut valve and EVAP/ORVR line to the EVAP canister. The vapor is absorbed by the EVAP canister and the air is released to the atmosphere.

When the refueling has reached the full level of the fuel tank, the refueling EVAP vapor cut valve is closed and refueling is stopped because of auto shut-off. The vapor which was absorbed by the EVAP canister is purged during driving.

WARNING:

When conducting inspections below, be sure to observe the following:

- Put a "CAUTION: FLAMMABLE" sign in workshop.
- Do not smoke while servicing fuel system. Keep open flames and sparks away from work area.
- Be sure to furnish the workshop with a CO₂ fire extinguisher.

CAUTION:

- Before removing fuel line parts, carry out the following procedures:
 - Put drained fuel in an explosion-proof container and put lid on securely.
 - Release fuel pressure from fuel line. Refer to [EC-79. "FUEL PRESSURE RELEASE"](#).
 - Disconnect battery ground cable.
- Always replace O-ring when the fuel gauge retainer is removed.
- Do not kink or twist hose and tube when they are installed.
- Do not tighten hose and clamps excessively to avoid damaging hoses.
- After installation, run engine and check for fuel leaks at connection.
- Do not attempt to top off the fuel tank after the fuel pump nozzle shuts off automatically. Continued refueling may cause fuel overflow, resulting in fuel spray and possibly a fire.

ON BOARD REFUELING VAPOR RECOVERY (ORVR)

NBS0002U

Diagnostic Procedure

SYMPTOM: FUEL ODOR FROM EVAP CANISTER IS STRONG.

1. CHECK EVAP CANISTER

1. Remove EVAP canister with EVAP canister vent control valve and EVAP control system pressure sensor attached.
2. Weigh the EVAP canister with EVAP canister vent control valve and EVAP control system pressure sensor attached.
The weight should be less than 2.2 kg (4.9 lb).

OK or NG

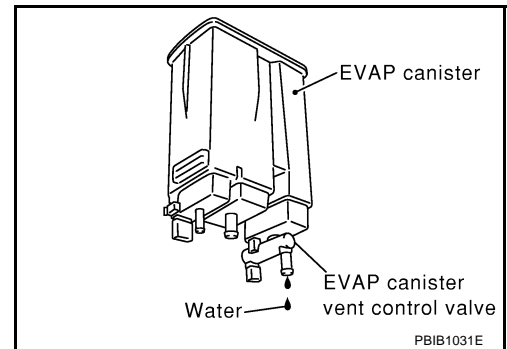
- OK >> GO TO 2.
NG >> GO TO 3.

2. CHECK IF EVAP CANISTER SATURATED WITH WATER

Does water drain from the EVAP canister?

Yes or No

- Yes >> GO TO 3.
No >> GO TO 5.



3. REPLACE EVAP CANISTER

Replace EVAP canister with a new one.

>> GO TO 4.

4. DETECT MALFUNCTIONING PART

Check the EVAP hose between EVAP canister and vehicle frame for clogging or poor connection.

>> Repair or replace EVAP hose.

5. CHECK REFUELING EVAP VAPOR CUT VALVE

Refer to [EC-42, "Component Inspection"](#).

OK or NG

- OK >> **INSPECTION END**
NG >> Replace refueling EVAP vapor cut valve with fuel tank.

ON BOARD REFUELING VAPOR RECOVERY (ORVR)

SYMPTOM: CANNOT REFUEL/FUEL ODOR FROM THE FUEL FILLER OPENING IS STRONG WHILE REFUELING.

1. CHECK EVAP CANISTER

1. Remove EVAP canister with EVAP canister vent control valve and EVAP control system pressure sensor attached.
2. Weigh the EVAP canister with EVAP canister vent control valve and EVAP control system pressure sensor attached.
The weight should be less than 2.2 kg (4.9 lb).

OK or NG

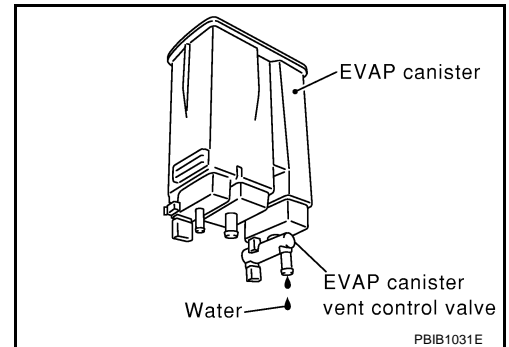
- OK >> GO TO 2.
NG >> GO TO 3.

2. CHECK IF EVAP CANISTER SATURATED WITH WATER

Does water drain from the EVAP canister?

Yes or No

- Yes >> GO TO 3.
No >> GO TO 5.



3. REPLACE EVAP CANISTER

Replace EVAP canister with a new one.

>> GO TO 4.

4. DETECT MALFUNCTIONING PART

Check the EVAP hose between EVAP canister and vehicle frame for clogging or poor connection.

>> Repair or replace EVAP hose.

5. CHECK VENT HOSES AND VENT TUBES

Check hoses and tubes between EVAP canister and refueling EVAP vapor cut valve for clogging, kink, looseness and improper connection.

OK or NG

- OK >> GO TO 6.
NG >> Repair or replace hoses and tubes.

6. CHECK FILLER NECK TUBE

Check recirculation line for clogging, dents and cracks.

OK or NG

- OK >> GO TO 7.
NG >> Replace filler neck tube.

ON BOARD REFUELING VAPOR RECOVERY (ORVR)

7. CHECK REFUELING EVAP VAPOR CUT VALVE

Refer to [EC-42, "Component Inspection"](#) .

OK or NG

- OK >> GO TO 8.
- NG >> Replace refueling EVAP vapor cut valve with fuel tank.

8. CHECK FUEL FILLER TUBE

Check filler neck tube and hose connected to the fuel tank for clogging, dents and cracks.

OK or NG

- OK >> GO TO 9.
- NG >> Replace fuel filler tube.

9. CHECK ONE-WAY FUEL VALVE-I

Check one-way valve for clogging.

OK or NG

- OK >> GO TO 10.
- NG >> Repair or replace one-way fuel valve with fuel tank.

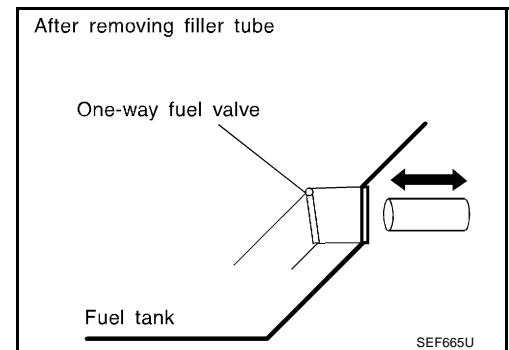
10. CHECK ONE-WAY FUEL VALVE-II

1. Make sure that fuel is drained from the tank.
2. Remove fuel filler tube and hose.
3. Check one-way fuel valve for operation as follows.
When a stick is inserted, the valve should open, when removing stick it should close.

Do not drop any material into the tank.

OK or NG

- OK >> **INSPECTION END**
- NG >> Replace fuel filler tube or replace one-way fuel valve with fuel tank.



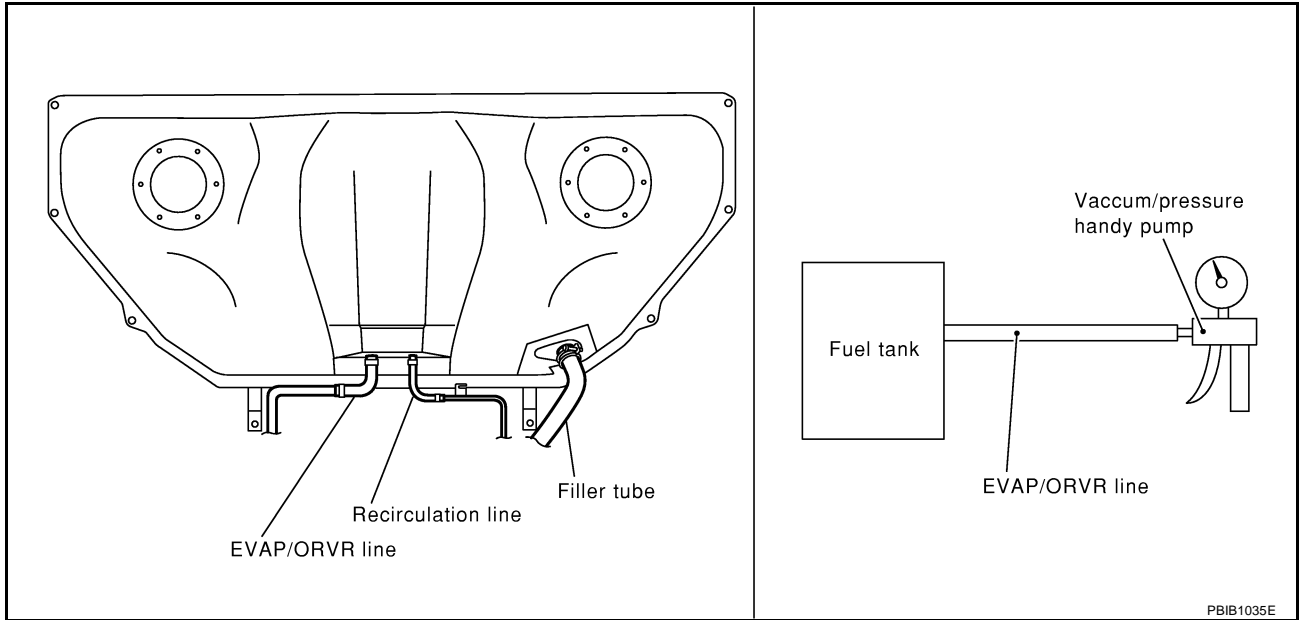
Component Inspection REFUELING EVAP VAPOR CUT VALVE

Ⓟ **With CONSULT-III**

1. Remove fuel tank. Refer to [FL-10, "FUEL TANK"](#) .
2. Drain fuel from the tank as follows:
 - a. Remove fuel feed hose located on the fuel gauge retainer.
 - b. Connect a spare fuel hose, one side to fuel gauge retainer where the hose was removed and the other side to a fuel container.
 - c. Drain fuel using "FUEL PUMP RELAY" in "ACTIVE TEST" mode with CONSULT-III.
3. Check refueling EVAP vapor cut valve for being stuck to close as follows.
Blow air into the refueling EVAP vapor cut valve (from the end of EVAP/ORVR line hose), and check that the air flows freely into the tank.
4. Check refueling EVAP vapor cut valve for being stuck to open as follows.
 - a. Connect vacuum pump to hose end.
 - b. Remove fuel gauge retainer with fuel gauge unit.
Always replace O-ring with new one.
 - c. Put fuel tank upside down.

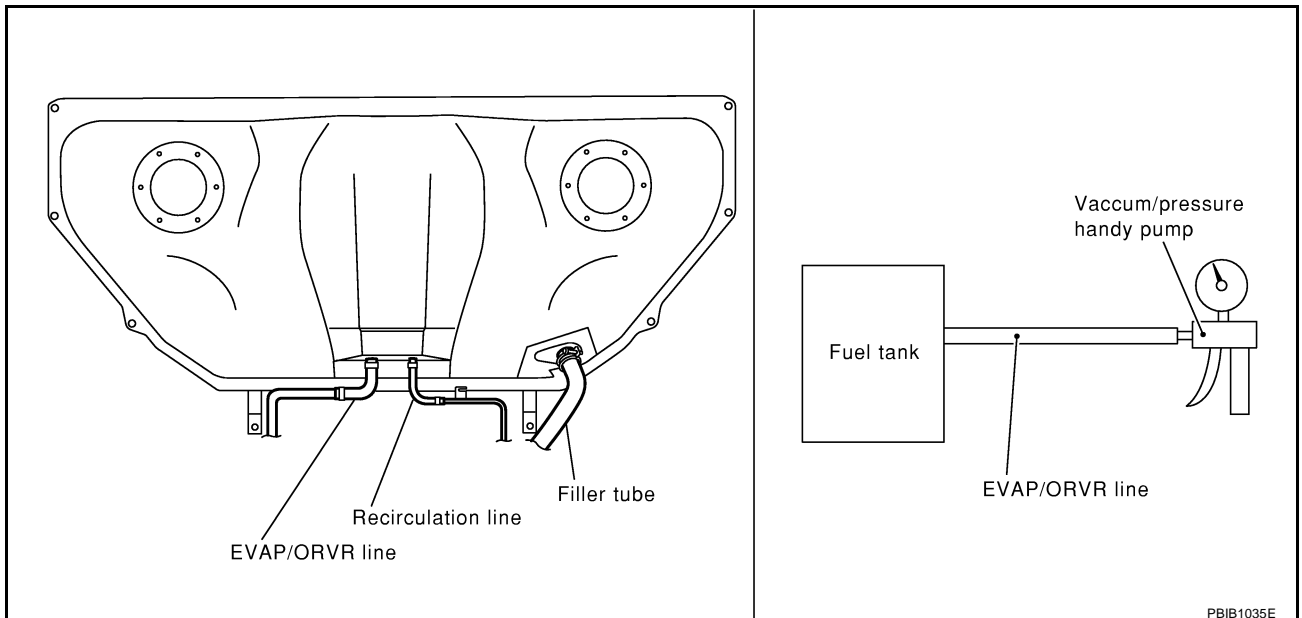
ON BOARD REFUELING VAPOR RECOVERY (ORVR)

- d. Apply vacuum pressure to hose end [-13.3 kPa (-100 mmHg, -3.94 inHg)] with fuel gauge retainer remaining open and check that the pressure is applicable.



⊗ Without CONSULT-III

1. Remove fuel tank. Refer to [FL-10, "FUEL TANK"](#).
2. Drain fuel from the tank as follows:
 - a. Remove fuel gauge retainer.
 - b. Drain fuel from the tank using a handy pump into a fuel container.
3. Check refueling EVAP vapor cut valve for being stuck to close as follows. Blow air into the refueling EVAP vapor cut valve (from the end of EVAP/ORVR line hose), and check that the air flows freely into the tank.
4. Check refueling EVAP vapor cut valve for being stuck to open as follows.
 - a. Connect vacuum pump to hose end.
 - b. Remove fuel gauge retainer with fuel gauge unit.
Always replace O-ring with new one.
 - c. Put fuel tank upside down.
- d. Apply vacuum pressure to hose end [-13.3 kPa (-100 mmHg, -3.94 inHg)] with fuel gauge retainer remaining open and check that the pressure is applicable.



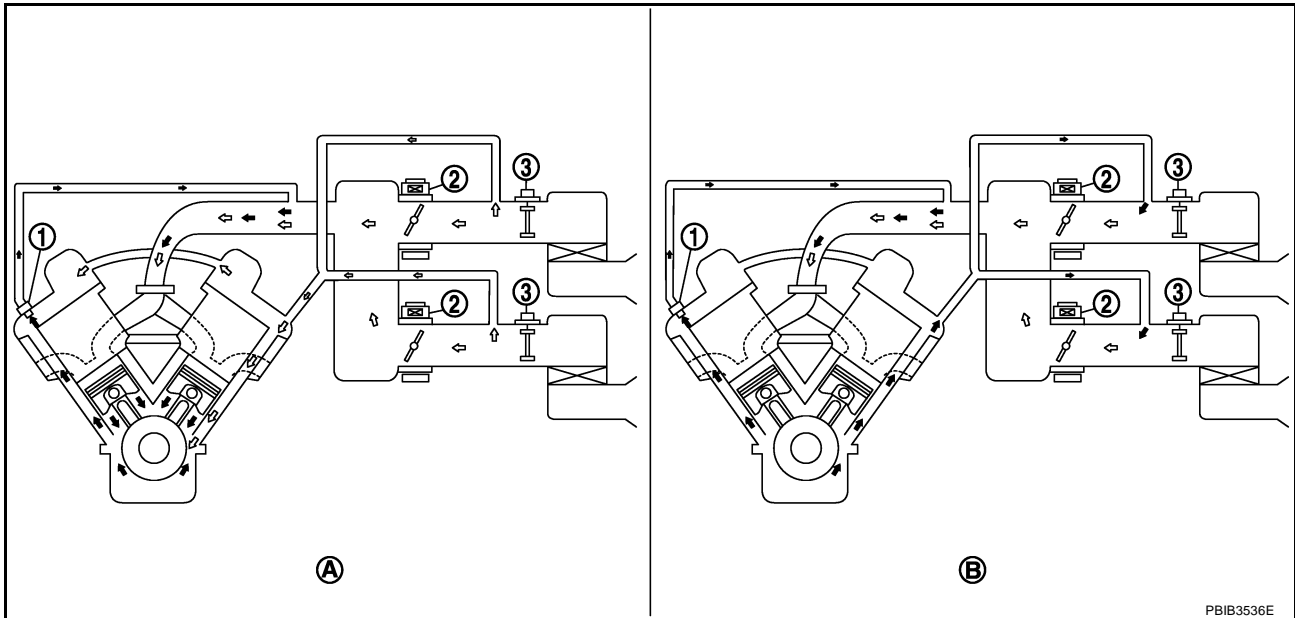
POSITIVE CRANKCASE VENTILATION

POSITIVE CRANKCASE VENTILATION

PFP:11810

Description SYSTEM DESCRIPTION

NBS0002W



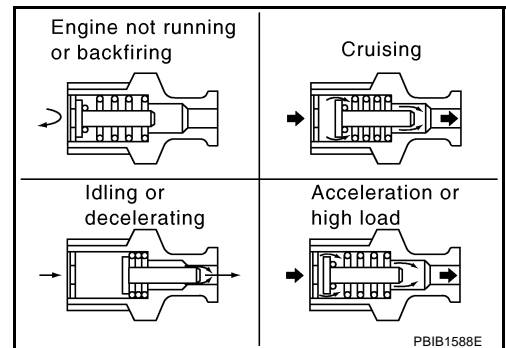
PBIB3536E

- | | | |
|---------------------|---------------------------------------|-------------------------|
| 1. PCV valve | 2. Electric throttle control actuator | 3. Mass air flow sensor |
| A. Normal condition | B. Hi-load condition | |
| ← Fresh air | | |
| ← Blow-by air | | |

This system returns blow-by gas to the intake manifold.

The positive crankcase ventilation (PCV) valve is provided to conduct crankcase blow-by gas to the intake manifold. During partial throttle operation of the engine, the intake manifold sucks the blow-by gas through the PCV valve. Normally, the capacity of the valve is sufficient to handle any blow-by and a small amount of ventilating air. The ventilating air is then drawn from the air inlet tubes into the crankcase. In this process the air passes through the hose connecting air inlet tubes to rocker cover. Under full-throttle condition, the manifold vacuum is insufficient to draw the blow-by flow through the valve. The flow goes through the hose connection in the reverse direction.

On vehicles with an excessively high blow-by, the valve does not meet the requirement. This is because some of the flow will go through the hose connection to the air inlet tubes under all conditions.



PBIB1588E

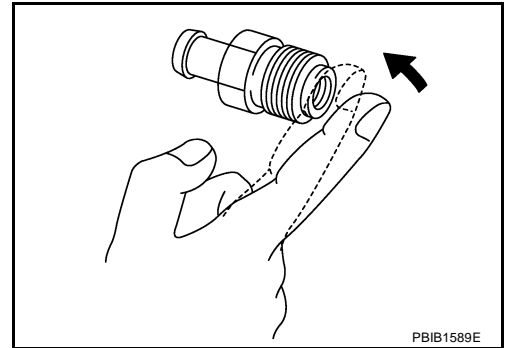
POSITIVE CRANKCASE VENTILATION

Component Inspection

PCV (POSITIVE CRANKCASE VENTILATION) VALVE

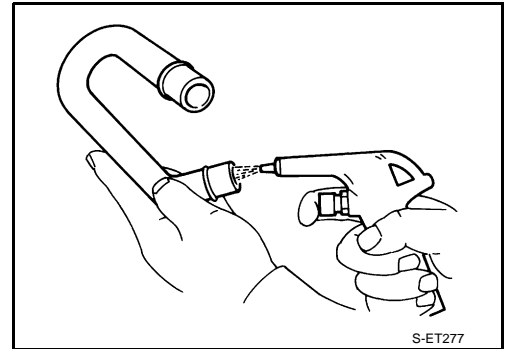
NBS0002X

With engine running at idle, remove PCV valve from rocker cover. A properly working valve makes a hissing noise as air passes through it. A strong vacuum should be felt immediately when a finger is placed over valve inlet.



PCV VALVE VENTILATION HOSE

1. Check hoses and hose connections for leaks.
2. Disconnect all hoses and clean with compressed air. If any hose cannot be freed of obstructions, replace.



A
EC
C
D
E
F
G
H
I
J
K
L
M

NVIS (NISSAN VEHICLE IMMOBILIZER SYSTEM-NATS)

NVIS (NISSAN VEHICLE IMMOBILIZER SYSTEM-NATS)

PFP:25386

Description

NBS0002Y

- If the security indicator lights up with the ignition switch in the ON position or “NATS MALFUNCTION” is displayed on “SELF-DIAG RESULTS” screen, perform self-diagnostic results mode with CONSULT-III using NATS program card. Refer to [BL-150. "NVIS \(NISSAN VEHICLE IMMOBILIZER SYSTEM-NATS\)"](#) .
- Confirm no self-diagnostic results of NVIS (NATS) is displayed before touching “ERASE” in “SELF-DIAG RESULTS” mode with CONSULT-III.
- When replacing ECM, initialization of NVIS (NATS) system and registration of all NVIS (NATS) ignition key IDs must be carried out with CONSULT-III using NATS program card. Therefore, be sure to receive all keys from vehicle owner. Regarding the procedures of NVIS (NATS) initialization and all NVIS (NATS) ignition key ID registration, refer to CONSULT-III Operation Manual, IVIS/NVIS.

ON BOARD DIAGNOSTIC (OBD) SYSTEM

ON BOARD DIAGNOSTIC (OBD) SYSTEM

PF0:00028

Introduction

NBS0002Z

The ECM has an on board diagnostic system, which detects malfunctions related to engine sensors or actuators. The ECM also records various emission-related diagnostic information including:

Emission-related diagnostic information	Diagnostic service
Diagnostic Trouble Code (DTC)	Service \$03 of SAE J1979
Freeze Frame data	Service \$02 of SAE J1979
System Readiness Test (SRT) code	Service \$01 of SAE J1979
1st Trip Diagnostic Trouble Code (1st Trip DTC)	Service \$07 of SAE J1979
1st Trip Freeze Frame data	
Test values and Test limits	Service \$06 of SAE J1979
Calibration ID	Service \$09 of SAE J1979

The above information can be checked using procedures listed in the table below.

x: Applicable —: Not applicable

	DTC	1st trip DTC	Freeze Frame data	1st trip Freeze Frame data	SRT status	SRT code	Test value
CONSULT-III	x	x	x	x	x	x	—
GST	x	x	x	—	x	x	x
ECM	x	x*	—	—	x	—	—

*: When DTC and 1st trip DTC simultaneously appear on the display, they cannot be clearly distinguished from each other.

The malfunction indicator lamp (MIL) on the instrument panel lights up when the same malfunction is detected in two consecutive trips (Two trip detection logic), or when the ECM enters fail-safe mode. (Refer to [EC-89, "Fail-safe Chart"](#) .)

Two Trip Detection Logic

NBS00030

When a malfunction is detected for the 1st time, 1st trip DTC and 1st trip Freeze Frame data are stored in the ECM memory. The MIL will not light up at this stage. <1st trip>

If the same malfunction is detected again during the next drive, the DTC and Freeze Frame data are stored in the ECM memory, and the MIL lights up. The MIL lights up at the same time when the DTC is stored. <2nd trip> The "trip" in the "Two Trip Detection Logic" means a driving mode in which self-diagnosis is performed during vehicle operation. Specific on board diagnostic items will cause the ECM to light up or blink the MIL, and store DTC and Freeze Frame data, even in the 1st trip, as shown below.

x: Applicable —: Not applicable

Items	MIL				DTC		1st trip DTC	
	1st trip		2nd trip		1st trip displaying	2nd trip displaying	1st trip displaying	2nd trip displaying
	Blinking	Lighting up	Blinking	Lighting up				
Misfire (Possible three way catalyst damage) — DTC: P0300 - P0306 is being detected	x	—	—	—	—	—	x	—
Misfire (Possible three way catalyst damage) — DTC: P0300 - P0306 is being detected	—	—	x	—	—	x	—	—
One trip detection diagnoses (Refer to EC-48, "EMISSION-RELATED DIAGNOSTIC INFORMATION ITEMS" .)	—	x	—	—	x	—	—	—
Except above	—	—	—	x	—	x	x	—

When there is an open circuit on MIL circuit, the ECM cannot warn the driver by lighting up MIL when there is malfunction on engine control system.

ON BOARD DIAGNOSTIC (OBD) SYSTEM

Therefore, when electrical controlled throttle and part of ECM related diagnoses are continuously detected as NG for 5 trips, ECM warns the driver that engine control system malfunctions and MIL circuit is open by means of operating fail-safe function.

The fail-safe function also operates when above diagnoses except MIL circuit are detected and demands the driver to repair the malfunction.

Engine operating condition in fail-safe mode

Engine speed will not rise more than 2,500 rpm due to the fuel cut

Emission-related Diagnostic Information EMISSION-RELATED DIAGNOSTIC INFORMATION ITEMS

NBS00031

×: Applicable —: Not applicable

Items (CONSULT-III screen terms)	DTC*1		SRT code	Test value/ Test limit (GST only)	Trip	MIL lighting up	Reference page
	CONSULT-III GST*2	ECM*3					
CAN COMM CIRCUIT	U1000	1000*5	—	—	1	×	EC-151
CAN COMM CIRCUIT	U1001	1001*5	—	—	2	—	EC-151
CONTROL UNIT(CAN)	U1010	1010	—	—	1 (A/T)	× (A/T)	EC-154
					2 (M/T)	— (M/T)	
NO DTC IS DETECTED. FURTHER TESTING MAY BE REQUIRED.	P0000	0000	—	—	—	Flashing*7	EC-63
INT/V TIM CONT-B1	P0011	0011	—	—	2	×	EC-156
EXH/V TIM CONT-B1	P0014	0014	—	—	2	×	EC-160
INT/V TIM CONT-B2	P0021	0021	—	—	2	×	EC-156
EXH/V TIM CONT-B2	P0024	0024	—	—	2	×	EC-160
A/F SEN1 HTR (B1)	P0031	0031	—	×	2	×	EC-165
A/F SEN1 HTR (B1)	P0032	0032	—	×	2	×	EC-165
HO2S2 HTR (B1)	P0037	0037	—	×	2	×	EC-173
HO2S2 HTR (B1)	P0038	0038	—	×	2	×	EC-173
A/F SEN1 HTR (B2)	P0051	0051	—	×	2	×	EC-165
A/F SEN1 HTR (B2)	P0052	0052	—	×	2	×	EC-165
HO2S2 HTR (B2)	P0057	0057	—	×	2	×	EC-173
HO2S2 HTR (B2)	P0058	0058	—	×	2	×	EC-173
INT/V TIM V/CIR-B1	P0075	0075	—	—	2	×	EC-183
EX V/T MGT/RTDR-B1	P0078	0078	—	—	2	×	EC-190
INT/V TIM V/CIR-B2	P0081	0081	—	—	2	×	EC-183
EX V/T MGT/RTDR-B2	P0084	0084	—	—	2	×	EC-190
MAF SEN/CIRCUIT-B1	P0101	0101	—	—	2	×	EC-197
MAF SEN/CIRCUIT-B1	P0102	0102	—	—	1	×	EC-208
MAF SEN/CIRCUIT-B1	P0103	0103	—	—	1	×	EC-208
MAF SEN/CIRCUIT-B2	P010B	010B	—	—	2	×	EC-197
MAF SEN/CIRCUIT-B2	P010C	010C	—	—	1	×	EC-208
MAF SEN/CIRCUIT-B2	P010D	010D	—	—	1	×	EC-208
IAT SEN/CIRCUIT-B1	P0112	0112	—	—	2	×	EC-218
IAT SEN/CIRCUIT-B1	P0113	0113	—	—	2	×	EC-218
ECT SEN/CIRC	P0117	0117	—	—	1	×	EC-223
ECT SEN/CIRC	P0118	0118	—	—	1	×	EC-223
TP SEN 2/CIRC-B1	P0122	0122	—	—	1	×	EC-229
TP SEN 2/CIRC-B1	P0123	0123	—	—	1	×	EC-229

ON BOARD DIAGNOSTIC (OBD) SYSTEM

Items (CONSULT-III screen terms)	DTC*1		SRT code	Test value/ Test limit (GST only)	Trip	MIL lighting up	Reference page
	CONSULT-III GST*2	ECM*3					
ECT SENSOR	P0125	0125	—	—	2	×	EC-239
IAT SENSOR-B1	P0127	0127	—	—	2	×	EC-243
THERMSTAT FNCTN	P0128	0128	—	—	2	×	EC-246
A/F SENSOR1 (B1)	P0130	0130	—	×	2	×	EC-248
A/F SENSOR1 (B1)	P0131	0131	—	×	2	×	EC-257
A/F SENSOR1 (B1)	P0132	0132	—	×	2	×	EC-266
A/F SENSOR1 (B1)	P0133	0133	×	×	2	×	EC-275
HO2S2 (B1)	P0137	0137	×	×	2	×	EC-287
HO2S2 (B1)	P0138	0138	×	×	2	×	EC-298
HO2S2 (B1)	P0139	0139	×	×	2	×	EC-313
A/F SENSOR1 (B2)	P0150	0150	—	×	2	×	EC-248
A/F SENSOR1 (B2)	P0151	0151	—	×	2	×	EC-257
A/F SENSOR1 (B2)	P0152	0152	—	×	2	×	EC-266
A/F SENSOR1 (B2)	P0153	0153	×	×	2	×	EC-275
HO2S2 (B2)	P0157	0157	×	×	2	×	EC-287
HO2S2 (B2)	P0158	0158	×	×	2	×	EC-298
HO2S2 (B2)	P0159	0159	×	×	2	×	EC-313
FUEL SYS-LEAN-B1	P0171	0171	—	—	2	×	EC-324
FUEL SYS-RICH-B1	P0172	0172	—	—	2	×	EC-334
FUEL SYS-LEAN-B2	P0174	0174	—	—	2	×	EC-324
FUEL SYS-RICH-B2	P0175	0175	—	—	2	×	EC-334
FTT SENSOR	P0181	0181	—	—	2	×	EC-344
FTT SEN/CIRCUIT	P0182	0182	—	—	2	×	EC-348
FTT SEN/CIRCUIT	P0183	0183	—	—	2	×	EC-348
EOT SENSOR	P0196	0196	—	—	2	×	EC-352
EOT SEN/CIRCUIT	P0197	0197	—	—	2	×	EC-239
EOT SEN/CIRCUIT	P0198	0198	—	—	2	×	EC-239
TP SEN 1/CIRC-B1	P0222	0222	—	—	1	×	EC-361
TP SEN 1/CIRC-B1	P0223	0223	—	—	1	×	EC-361
TP SEN 2/CIRC-B2	P0227	0227	—	—	1	×	EC-229
TP SEN 2/CIRC-B2	P0228	0228	—	—	1	×	EC-229
MULTI CYL MISFIRE	P0300	0300	—	—	2	×	EC-371
CYL 1 MISFIRE	P0301	0301	—	—	2	×	EC-371
CYL 2 MISFIRE	P0302	0302	—	—	2	×	EC-371
CYL 3 MISFIRE	P0303	0303	—	—	2	×	EC-371
CYL 4 MISFIRE	P0304	0304	—	—	2	×	EC-371
CYL 5 MISFIRE	P0305	0305	—	—	2	×	EC-371
CYL 6 MISFIRE	P0306	0306	—	—	2	×	EC-371
KNOCK SEN/CIRC-B1	P0327	0327	—	—	2	—	EC-379
KNOCK SEN/CIRC-B1	P0328	0328	—	—	2	—	EC-379
KNOCK SEN/CIRC-B2	P0332	0332	—	—	2	—	EC-379
KNOCK SEN/CIRC-B2	P0333	0333	—	—	2	—	EC-379

ON BOARD DIAGNOSTIC (OBD) SYSTEM

Items (CONSULT-III screen terms)	DTC*1		SRT code	Test value/ Test limit (GST only)	Trip	MIL lighting up	Reference page
	CONSULT-III GST*2	ECM*3					
CKP SEN/CIRCUIT	P0335	0335	—	—	2	×	EC-386
CMP SEN/CIRC-B1	P0340	0340	—	—	2	×	EC-394
CMP SEN/CIRC-B2	P0345	0345	—	—	2	×	EC-394
TW CATALYST SYS-B1	P0420	0420	×	×	2	×	EC-406
TW CATALYST SYS-B2	P0430	0430	×	×	2	×	EC-406
EVAP PURG FLOW/MON	P0441	0441	×	×	2	×	EC-411
EVAP SMALL LEAK	P0442	0442	×	×	2	×	EC-416
PURG VOLUME CONT/V	P0443	0443	—	—	2	×	EC-423
PURG VOLUME CONT/V	P0444	0444	—	—	2	×	EC-431
PURG VOLUME CONT/V	P0445	0445	—	—	2	×	EC-431
VENT CONTROL VALVE	P0447	0447	—	—	2	×	EC-437
VENT CONTROL VALVE	P0448	0448	—	—	2	×	EC-444
EVAP SYS PRES SEN	P0451	0451	—	—	2	×	EC-450
EVAP SYS PRES SEN	P0452	0452	—	—	2	×	EC-456
EVAP SYS PRES SEN	P0453	0453	—	—	2	×	EC-465
EVAP GROSS LEAK	P0455	0455	—	—	2	×	EC-475
EVAP VERY SML LEAK	P0456	0456	×*4	×	2	×	EC-482
FUEL LEV SEN SLOSH	P0460	0460	—	—	2	×	EC-490
FUEL LEVEL SENSOR	P0461	0461	—	—	2	×	EC-492
FUEL LEVL SEN/CIRC	P0462	0462	—	—	2	×	EC-494
FUEL LEVL SEN/CIRC	P0463	0463	—	—	2	×	EC-494
VEH SPEED SEN/CIRC*6	P0500	0500	—	—	2	×	EC-496
ISC SYSTEM	P0506	0506	—	—	2	×	EC-498
ISC SYSTEM	P0507	0507	—	—	2	×	EC-500
PW ST P SEN/CIRC	P0550	0550	—	—	2	—	EC-502
ECM BACK UP/CIRCUIT	P0603	0603	—	—	2	×	EC-508
ECM	P0605	0605	—	—	1 or 2	× or —	EC-512
SENSOR POWER/CIRC	P0643	0643	—	—	1	×	EC-514
TCM	P0700	0700	—	—	1	×	AT-101
PNP SW/CIRC	P0705	0705	—	—	2	×	AT-102
ATF TEMP SEN/CIRC	P0710	0710	—	—	2	×	AT-134
TURBINE SENSOR	P0717	0717	—	—	2	×	AT-113
VEH SPD SEN/CIR AT*6	P0720	0720	—	—	2	×	AT-108
A/T 1ST GR FNCTN	P0731	0731	—	—	2	×	AT-115
A/T 2ND GR FNCTN	P0732	0732	—	—	2	×	AT-117
A/T 3RD GR FNCTN	P0733	0733	—	—	2	×	AT-119
A/T 4TH GR FNCTN	P0734	0734	—	—	2	×	AT-121
A/T 5TH GR FNCTN	P0735	0735	—	—	2	×	AT-123
TCC SOLENOID/CIRC	P0740	0740	—	—	2	×	AT-125
A/T TCC S/V FNCTN	P0744	0744	—	—	2	×	AT-127
L/PRESS SOL/CIRC	P0745	0745	—	—	2	×	AT-129
P-N POS SW/CIRCUIT	P0850	0850	—	—	2	×	EC-520

ON BOARD DIAGNOSTIC (OBD) SYSTEM

Items (CONSULT-III screen terms)	DTC*1		SRT code	Test value/ Test limit (GST only)	Trip	MIL lighting up	Reference page
	CONSULT-III GST*2	ECM*3					
EXH TIM SEN/CIR-B1	P1078	1078	—	—	2	×	EC-528
EXH TIM SEN/CIR-B2	P1084	1084	—	—	2	×	EC-528
CLOSED LOOP-B1	P1148	1148	—	—	1	×	EC-540
CLOSED LOOP-B2	P1168	1168	—	—	1	×	EC-540
TCS C/U FUNCTN	P1211	1211	—	—	2	—	EC-541
TCS/CIRC	P1212	1212	—	—	2	—	EC-542
ENG OVER TEMP	P1217	1217	—	—	1	×	EC-543
CTP LEARNING-B1	P1225	1225	—	—	2	—	EC-557
CTP LEARNING-B1	P1226	1226	—	—	2	—	EC-559
ETC FUNCTION/CIRC-B2	P1233	1233	—	—	1	×	EC-561
CTP LEARNING-B2	P1234	1234	—	—	2	—	EC-557
CTP LEARNING-B2	P1235	1235	—	—	2	—	EC-559
ETC MOT-B2	P1236	1236	—	—	1	×	EC-571
ETC ACTR-B2	P1238	1238	—	—	1	×	EC-580
TP SENSOR-B2	P1239	1239	—	—	1	×	EC-582
ETC MOT PWR-B2	P1290	1290	—	—	1	×	EC-592
COLD START CONTROL	P1421	1421	—	—	2	×	EC-600
ASCD SW	P1564	1564	—	—	1	—	EC-602
ASCD BRAKE SW	P1572	1572	—	—	1	—	EC-610
ASCD VHL SPD SEN	P1574	1574	—	—	1	—	EC-625
NATS MALFUNCTION	P1610 - P1615	1610 - 1615	—	—	2	—	EC-46
IN PULY SPEED	P1715	1715	—	—	2	—	EC-627
A/T INTERLOCK	P1730	1730	—	—	1	×	AT-141
I/C SOLENOID/CIRC	P1752	1752	—	—	1	×	AT-145
FR/B SOLENOID/CIRC	P1757	1757	—	—	1	×	AT-147
D/C SOLENOID/CIRC	P1762	1762	—	—	1	×	AT-149
HLR/C SOL/CIRC	P1767	1767	—	—	1	×	AT-151
LC/B SOLENOID/CIRC	P1772	1772	—	—	1	×	AT-153
LC/B SOLENOID FNCT	P1774	1774	—	—	1	×	AT-155
BRAKE SW/CIRCUIT	P1805	1805	—	—	2	—	EC-628
ETC MOT PWR-B1	P2100	2100	—	—	1	×	EC-592
ETC FUNCTION/CIRC-B1	P2101	2101	—	—	1	×	EC-561
ETC MOT PWR	P2103	2103	—	—	1	×	EC-592
ETC MOT-B1	P2118	2118	—	—	1	×	EC-571
ETC ACTR-B1	P2119	2119	—	—	1	×	EC-580
APP SEN 1/CIRC	P2122	2122	—	—	1	×	EC-633
APP SEN 1/CIRC	P2123	2123	—	—	1	×	EC-633
APP SEN 2/CIRC	P2127	2127	—	—	1	×	EC-641
APP SEN 2/CIRC	P2128	2128	—	—	1	×	EC-641
TP SENSOR2/CIRC-B2	P2132	2132	—	—	1	×	EC-361
TP SENSOR2/CIRC-B2	P2133	2133	—	—	1	×	EC-361
TP SENSOR-B1	P2135	2135	—	—	1	×	EC-582

A
 EC
 C
 D
 E
 F
 G
 H
 I
 J
 K
 L
 M

ON BOARD DIAGNOSTIC (OBD) SYSTEM

Items (CONSULT-III screen terms)	DTC*1		SRT code	Test value/ Test limit (GST only)	Trip	MIL lighting up	Reference page
	CONSULT-III GST*2	ECM*3					
APP SENSOR	P2138	2138	—	—	1	×	EC-650
A/F SENSOR1 (B1)	P2A00	2A00	—	×	2	×	EC-659
A/F SENSOR1 (B2)	P2A03	2A03	—	×	2	×	EC-659

*1: 1st trip DTC No. is the same as DTC No.

*2: This number is prescribed by SAE J2012.

*3: In Diagnostic Test Mode II (Self-diagnostic results), this number is controlled by NISSAN.

*4: SRT code will not be set if the self-diagnostic result is NG.

*5: The troubleshooting for this DTC needs CONSULT-III.

*6: When the fail-safe operations for both self-diagnoses occur, the MIL illuminates.

*7: When the ECM is in the mode of displaying SRT status, MIL may flash. For the details, refer to [EC-56, "How to Display SRT Status"](#).

DTC AND 1ST TRIP DTC

The 1st trip DTC (whose number is the same as the DTC number) is displayed for the latest self-diagnostic results obtained. If the ECM memory was cleared previously, and the 1st trip DTC did not reoccur, the 1st trip DTC will not be displayed.

If a malfunction is detected during the 1st trip, the 1st trip DTC is stored in the ECM memory. The MIL will not light up (two trip detection logic). If the same malfunction is not detected in the 2nd trip (meeting the required driving pattern), the 1st trip DTC is cleared from the ECM memory. If the same malfunction is detected in the 2nd trip, both the 1st trip DTC and DTC are stored in the ECM memory and the MIL lights up. In other words, the DTC is stored in the ECM memory and the MIL lights up when the same malfunction occurs in two consecutive trips. If a 1st trip DTC is stored and a non-diagnostic operation is performed between the 1st and 2nd trips, only the 1st trip DTC will continue to be stored. For malfunctions that blink or light up the MIL during the 1st trip, the DTC and 1st trip DTC are stored in the ECM memory.

Procedures for clearing the DTC and the 1st trip DTC from the ECM memory are described in [EC-61, "HOW TO ERASE EMISSION-RELATED DIAGNOSTIC INFORMATION"](#).

For malfunctions in which 1st trip DTCs are displayed, refer to [EC-48, "EMISSION-RELATED DIAGNOSTIC INFORMATION ITEMS"](#). These items are required by legal regulations to continuously monitor the system/component. In addition, the items monitored non-continuously are also displayed on CONSULT-III.


1st trip DTC is specified in Service \$07 of SAE J1979. 1st trip DTC detection occurs without lighting up the MIL and therefore does not warn the driver of a malfunction. However, 1st trip DTC detection will not prevent the vehicle from being tested, for example during Inspection/Maintenance (I/M) tests.

When a 1st trip DTC is detected, check, print out or write down and erase (1st trip) DTC and Freeze Frame data as specified in Work Flow procedure Step 2, refer to [EC-82, "WORK FLOW"](#). Then perform DTC Confirmation Procedure or Overall Function Check to try to duplicate the malfunction. If the malfunction is duplicated, the item requires repair.

How to Read DTC and 1st Trip DTC

DTC and 1st trip DTC can be read by the following methods.

 **With CONSULT-III**

 **With GST**

CONSULT-III or GST (Generic Scan Tool) Examples: P0340, P0850, P1148, etc.

These DTCs are prescribed by SAE J2012.

(CONSULT-III also displays the malfunctioning component or system.)

 **No Tools**

The number of blinks of the MIL in the Diagnostic Test Mode II (Self-Diagnostic Results) indicates the DTC. Example: 0340, 0850, 1148, etc.

These DTCs are controlled by NISSAN.

- **1st trip DTC No. is the same as DTC No.**
- **Output of a DTC indicates a malfunction. However, GST or the Diagnostic Test Mode II do not indicate whether the malfunction is still occurring or has occurred in the past and has returned to normal. CONSULT-III can identify malfunction status as shown below. Therefore, using CONSULT-III (if available) is recommended.**

A sample of CONSULT-III display for DTC and 1st trip DTC is shown below. DTC or 1st trip DTC of a malfunction is displayed in "SELF-DIAGNOSTIC RESULTS" mode of CONSULT-III. Time data indicates how many times the vehicle was driven after the last detection of a DTC.

ON BOARD DIAGNOSTIC (OBD) SYSTEM

If the DTC is being detected currently, the time data will be [0].

If a 1st trip DTC is stored in the ECM, the time data will be [1t].

FREEZE FRAME DATA AND 1ST TRIP FREEZE FRAME DATA

The ECM records the driving conditions such as fuel system status, calculated load value, engine coolant temperature, short term fuel trim, long term fuel trim, engine speed, vehicle speed, absolute throttle position, base fuel schedule and intake air temperature at the moment a malfunction is detected.

Data which are stored in the ECM memory, along with the 1st trip DTC, are called 1st trip freeze frame data. The data, stored together with the DTC data, are called freeze frame data and displayed on CONSULT-III or GST. The 1st trip freeze frame data can only be displayed on the CONSULT-III screen, not on the GST. For details, see [EC-119, "Freeze Frame Data and 1st Trip Freeze Frame Data"](#).

Only one set of freeze frame data (either 1st trip freeze frame data or freeze frame data) can be stored in the ECM. 1st trip freeze frame data is stored in the ECM memory along with the 1st trip DTC. There is no priority for 1st trip freeze frame data and it is updated each time a different 1st trip DTC is detected. However, once freeze frame data (2nd trip detection/MIL on) is stored in the ECM memory, 1st trip freeze frame data is no longer stored. Remember, only one set of freeze frame data can be stored in the ECM. The ECM has the following priorities to update the data.

Priority	Items	
1	Freeze frame data	Misfire — DTC: P0300 - P0306 Fuel Injection System Function — DTC: P0171, P0172, P0174, P0175
2		Except the above items (Includes A/T related items)
3	1st trip freeze frame data	

For example, the EGR malfunction (Priority: 2) was detected and the freeze frame data was stored in the 2nd trip. After that when the misfire (Priority: 1) is detected in another trip, the freeze frame data will be updated from the EGR malfunction to the misfire. The 1st trip freeze frame data is updated each time a different malfunction is detected. There is no priority for 1st trip freeze frame data. However, once freeze frame data is stored in the ECM memory, 1st trip freeze data is no longer stored (because only one freeze frame data or 1st trip freeze frame data can be stored in the ECM). If freeze frame data is stored in the ECM memory and freeze frame data with the same priority occurs later, the first (original) freeze frame data remains unchanged in the ECM memory.

Both 1st trip freeze frame data and freeze frame data (along with the DTCs) are cleared when the ECM memory is erased. Procedures for clearing the ECM memory are described in [EC-61, "HOW TO ERASE EMIS-SION-RELATED DIAGNOSTIC INFORMATION"](#).

SYSTEM READINESS TEST (SRT) CODE

System Readiness Test (SRT) code is specified in Service \$01 of SAE J1979.

As part of an enhanced emissions test for Inspection & Maintenance (I/M), certain states require the status of SRT be used to indicate whether the ECM has completed self-diagnosis of major emission systems and components. Completion must be verified in order for the emissions inspection to proceed.

If a vehicle is rejected for a State emissions inspection due to one or more SRT items indicating "INCMP", use the information in this Service Manual to set the SRT to "CMPLT".

In most cases the ECM will automatically complete its self-diagnosis cycle during normal usage, and the SRT status will indicate "CMPLT" for each application system. Once set as "CMPLT", the SRT status remains "CMPLT" until the self-diagnosis memory is erased.

Occasionally, certain portions of the self-diagnostic test may not be completed as a result of the customer's normal driving pattern; the SRT will indicate "INCMP" for these items.

NOTE:

The SRT will also indicate "INCMP" if the self-diagnosis memory is erased for any reason or if the ECM memory power supply is interrupted for several hours.

If, during the state emissions inspection, the SRT indicates "CMPLT" for all test items, the inspector will continue with the emissions test. However, if the SRT indicates "INCMP" for one or more of the SRT items the vehicle is returned to the customer untested.

NOTE:

If MIL is ON during the state emissions inspection, the vehicle is also returned to the customer untested even though the SRT indicates "CMPLT" for all test items. Therefore, it is important to check SRT ("CMPLT") and DTC (No DTCs) before the inspection.

SRT Item

The table below shows required self-diagnostic items to set the SRT to "CMPLT".

ON BOARD DIAGNOSTIC (OBD) SYSTEM

SRT item (CONSULT-III indication)	Performance Priority*	Required self-diagnostic items to set the SRT to "CMPLT"	Corresponding DTC No.
CATALYST	2	Three way catalyst function	P0420, P0430
EVAP SYSTEM	1	EVAP control system	P0442
	2	EVAP control system	P0456
	2	EVAP control system purge flow monitoring	P0441
HO2S	2	Air fuel ratio (A/F) sensor 1	P0133, P0153
		Heated oxygen sensor 2	P0139, P0159
		Heated oxygen sensor 2	P0137, P0157
		Heated oxygen sensor 2	P0138, P0158

*: If completion of several SRTs is required, perform driving patterns (DTC confirmation procedure), one by one based on the priority for models with CONSULT-III.

SRT Set Timing

SRT is set as "CMPLT" after self-diagnosis has been performed one or more times. Completion of SRT is done regardless of whether the result is OK or NG. The set timing is different between OK and NG results and is shown in the table below.

Self-diagnosis result		Example					
		Diagnosis	Ignition cycle				
			← ON →	OFF	← ON →	OFF	
All OK	Case 1	P0400	OK (1)	— (1)	OK (2)	— (2)	
		P0402	OK (1)	— (1)	— (1)	OK (2)	
		P1402	OK (1)	OK (2)	— (2)	— (2)	
		SRT of EGR	"CMPLT"	"CMPLT"	"CMPLT"	"CMPLT"	
	Case 2	P0400	OK (1)	— (1)	— (1)	— (1)	
		P0402	— (0)	— (0)	OK (1)	— (1)	
		P1402	OK (1)	OK (2)	— (2)	— (2)	
		SRT of EGR	"INCMP"	"INCMP"	"CMPLT"	"CMPLT"	
NG exists	Case 3	P0400	OK	OK	—	—	
		P0402	—	—	—	—	
		P1402	NG	—	NG	NG	NG (Consecutive NG)
		(1st trip) DTC	1st trip DTC	—	1st trip DTC	DTC (= MIL "ON")	
		SRT of EGR	"INCMP"	"INCMP"	"INCMP"	"CMPLT"	

OK: Self-diagnosis is carried out and the result is OK.

NG: Self-diagnosis is carried out and the result is NG.

—: Self-diagnosis is not carried out.

When all SRT related self-diagnoses showed OK results in a single cycle (Ignition OFF-ON-OFF), the SRT will indicate "CMPLT". → Case 1 above

When all SRT related self-diagnoses showed OK results through several different cycles, the SRT will indicate "CMPLT" at the time the respective self-diagnoses have at least one OK result. → Case 2 above

If one or more SRT related self-diagnoses showed NG results in 2 consecutive cycles, the SRT will also indicate "CMPLT". → Case 3 above

The table above shows that the minimum number of cycles for setting SRT as "INCMP" is one (1) for each self-diagnosis (Case 1 & 2) or two (2) for one of self-diagnoses (Case 3). However, in preparation for the state emissions inspection, it is unnecessary for each self-diagnosis to be executed twice (Case 3) for the following reasons:

- The SRT will indicate "CMPLT" at the time the respective self-diagnoses have one (1) OK result.
- The emissions inspection requires "CMPLT" of the SRT only with OK self-diagnosis results.

ON BOARD DIAGNOSTIC (OBD) SYSTEM

- When, during SRT driving pattern, 1st trip DTC (NG) is detected prior to “CMPLT” of SRT, the self-diagnosis memory must be erased from ECM after repair.
- If the 1st trip DTC is erased, all the SRT will indicate “INCMP”.

NOTE:

SRT can be set as “CMPLT” together with the DTC(s). Therefore, DTC check must always be carried out prior to the state emission inspection even though the SRT indicates “CMPLT”.

A

EC

C

D

E

F

G

H

I

J

K

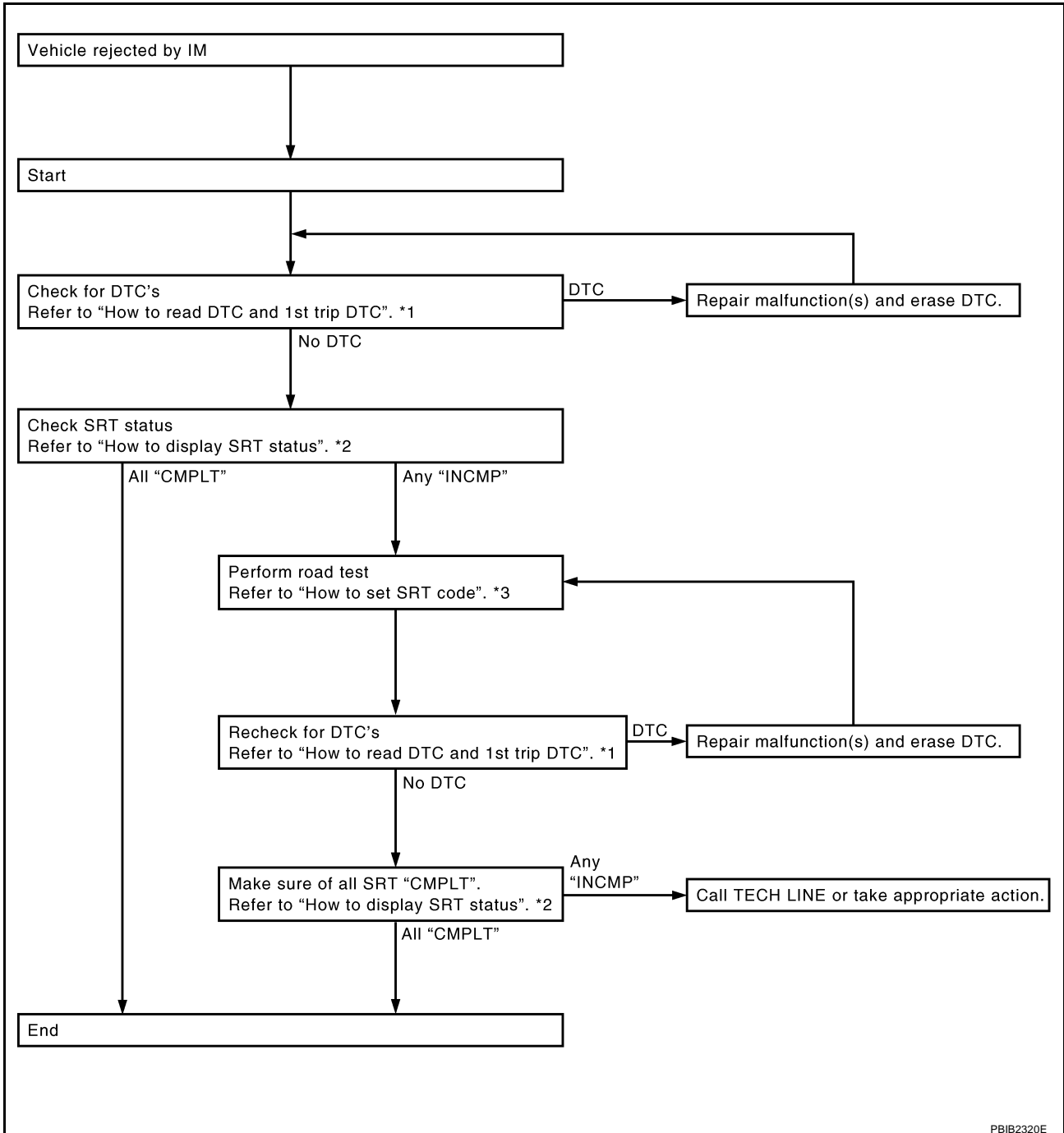
L

M

ON BOARD DIAGNOSTIC (OBD) SYSTEM

SRT Service Procedure

If a vehicle has failed the state emissions inspection due to one or more SRT items indicating "INCMP", review the flowchart diagnostic sequence on the next page.



*1 [EC-52](#)

*2 [EC-56](#)

*3 [EC-57](#)

PBIB2320E

How to Display SRT Status

WITH CONSULT-III

Selecting "SRT STATUS" in "DTC & SRT CONFIRMATION" mode with CONSULT-III.

For items whose SRT codes are set, a "CMPLT" is displayed on the CONSULT-III screen; for items whose SRT codes are not set, "INCMP" is displayed.

A sample of CONSULT-III display for SRT code is shown in the figure.

"INCMP" means the self-diagnosis is incomplete and SRT is not set. "CMPLT" means the self-diagnosis is complete and SRT is set.

NOTE:

Though displayed on the CONSULT-III screen, "HO2S HTR" is not SRT item.

ON BOARD DIAGNOSTIC (OBD) SYSTEM

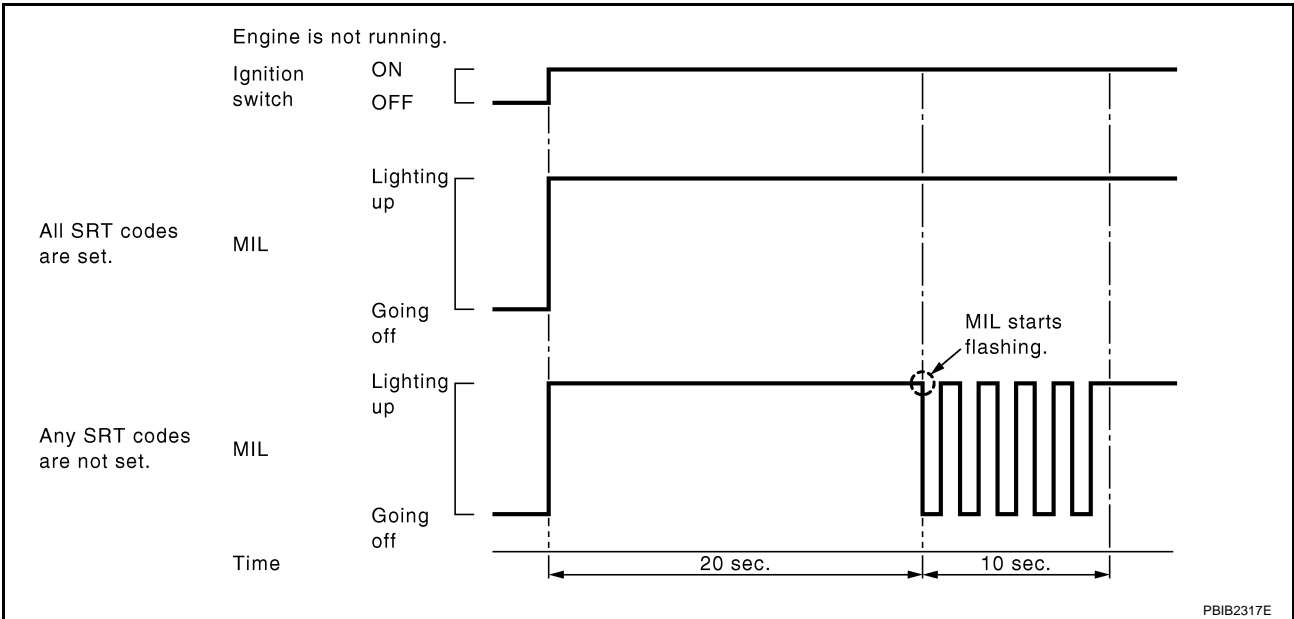
WITH GST

Selecting Service \$01 with GST (Generic Scan Tool)

NO TOOLS

A SRT code itself can not be displayed while only SRT status can be.

1. Turn ignition switch ON and wait 20 seconds.
2. SRT status is indicated as shown below.
 - When all SRT codes are set, MIL lights up continuously.
 - When any SRT codes are not set, MIL will flash periodically for 10 seconds.



How to Set SRT Code

To set all SRT codes, self-diagnosis for the items indicated above must be performed one or more times. Each diagnosis may require a long period of actual driving under various conditions.

WITH CONSULT-III

Perform corresponding DTC Confirmation Procedure one by one based on Performance Priority in the table on [EC-53, "SRT Item"](#).

WITHOUT CONSULT-III

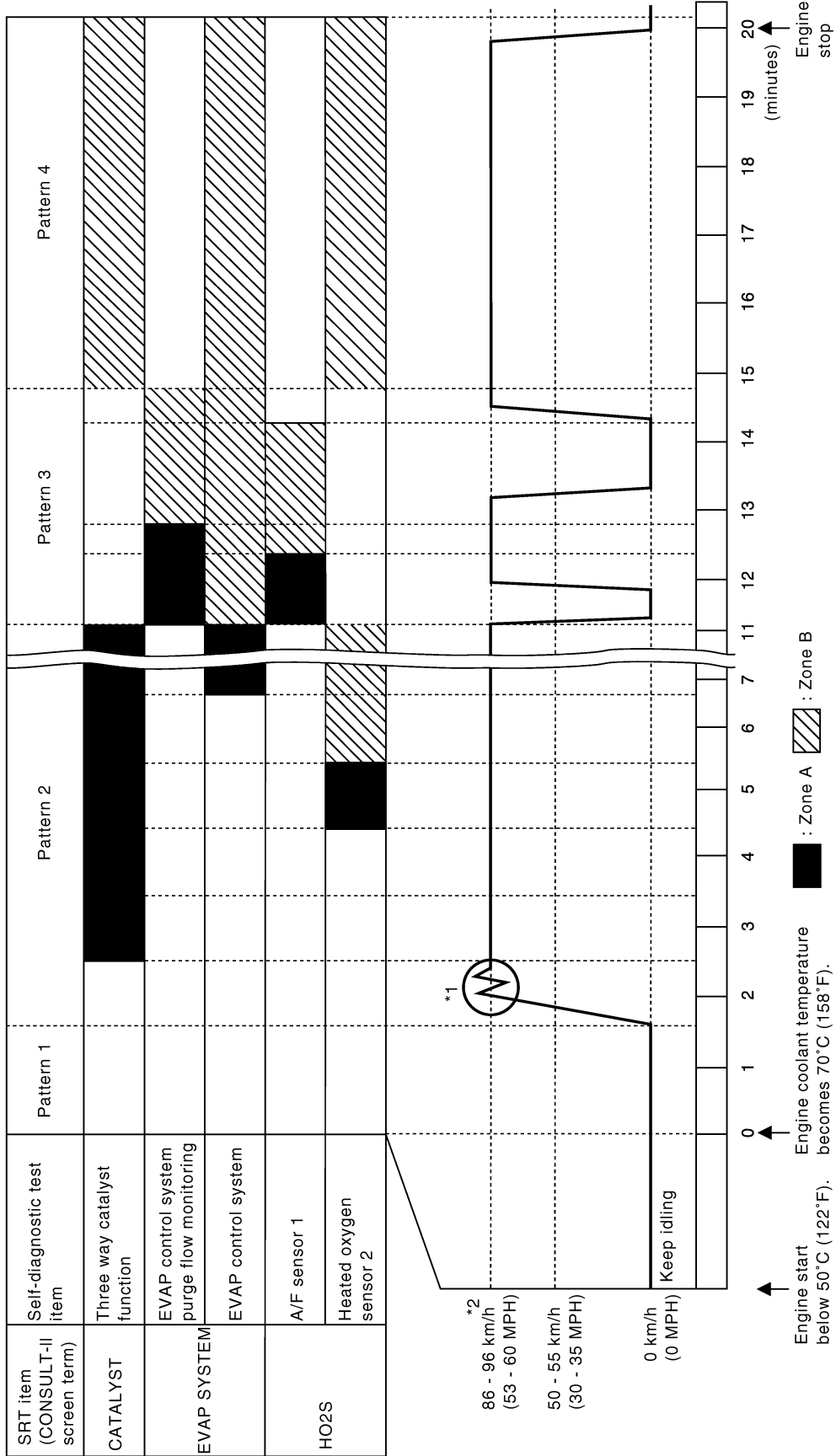
The most efficient driving pattern in which SRT codes can be properly set is explained on the next page. The driving pattern should be performed one or more times to set all SRT codes.

ON BOARD DIAGNOSTIC (OBD) SYSTEM

Driving Pattern

**Note: Always drive vehicle in safe manner according to traffic conditions and obey all traffic laws.
Refer to next page for more information and explanation of chart.**

Driving pattern



PBIB2906E

ON BOARD DIAGNOSTIC (OBD) SYSTEM

- The time required for each diagnosis varies with road surface conditions, weather, altitude, individual driving habits, etc.
Zone A refers to the range where the time, required for the diagnosis under normal conditions*, is the shortest.
Zone B refers to the range where the diagnosis can still be performed if the diagnosis is not completed within zone A.

*: Normal conditions refer to the following:

- Sea level
- Flat road
- Ambient air temperature: 20 - 30°C (68 - 86°F)
- Diagnosis is performed as quickly as possible under normal conditions.
Under different conditions [For example: ambient air temperature other than 20 - 30°C (68 - 86°F)], diagnosis may also be performed.

Pattern 1:

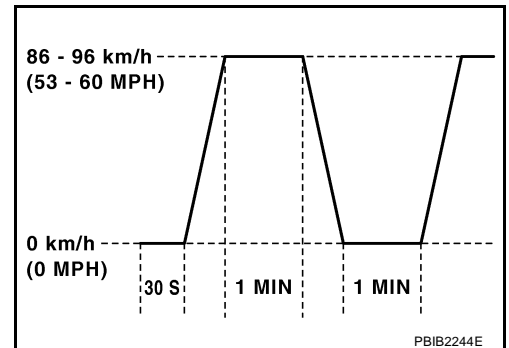
- **The engine is started at the engine coolant temperature of -10 to 35°C (14 to 95°F) (where the voltage between the ECM terminal 71 and ground is 3.0 - 4.3V).**
- **The engine must be operated at idle speed until the engine coolant temperature is greater than 70°C (158°F) (where the voltage between the ECM terminal 71 and ground is lower than 1.4V).**
- **The engine is started at the fuel tank temperature of warmer than 0°C (32°F) (where the voltage between the ECM terminal 106 and ground is less than 4.1V).**

Pattern 2:

- When steady-state driving is performed again even after it is interrupted, each diagnosis can be conducted. In this case, the time required for diagnosis may be extended.

Pattern 3:

- Operate vehicle following the driving pattern shown in the figure.
- Release the accelerator pedal during decelerating vehicle speed from 90 km/h (56 MPH) to 0 km/h (0 MPH).



Pattern 4:

- The accelerator pedal must be held very steady during steady-state driving.
- If the accelerator pedal is moved, the test must be conducted all over again.

*1: Depress the accelerator pedal until vehicle speed is 90 km/h (56 MPH), then release the accelerator pedal and keep it released for more than 10 seconds. Depress the accelerator pedal until vehicle speed is 90 km/h (56 MPH) again.

*2: Checking the vehicle speed with GST is advised.

Suggested Transmission Gear Position for A/T Models

Set the selector lever in the D position.

Suggested Upshift Speeds for M/T Models

Shown below are suggested vehicle speeds for shifting into a higher gear. These suggestions relate to fuel economy and vehicle performance. Actual upshift speeds will vary according to road conditions, the weather and individual driving habits.

Gear change	For normal acceleration in low altitude areas [less than 1,219 m (4,000 ft)]:		For quick acceleration in low altitude areas and high altitude areas [over 1,219 m (4,000 ft)]:
	ACCEL shift point km/h (MPH)	CRUISE shift point km/h (MPH)	km/h (MPH)
1st to 2nd	21 (13)	13 (8)	24 (15)
2nd to 3rd	37 (23)	26 (16)	40 (25)
3rd to 4th	48 (30)	40 (25)	64 (40)
4th to 5th	60 (37)	45 (28)	72 (45)
6th	68 (42)	53 (33)	80 (50)

Suggested Maximum Speed in Each Gear

ON BOARD DIAGNOSTIC (OBD) SYSTEM

Downshift to a lower gear if the engine is not running smoothly, or if you need to accelerate. Do not exceed the maximum suggested speed (shown below) in any gear. For level road driving, use the highest gear suggested for that speed. Always observe posted speed limits and drive according to the road conditions to ensure safe operation. Do not over-rev the engine when shifting to a lower gear as it may cause engine damage or loss of vehicle control.

Gear	km/h (MPH)
1st	65 (40)
2nd	106 (66)
3rd	152 (95)
4th	—
5th	—
6th	—

TEST VALUE AND TEST LIMIT (GST ONLY — NOT APPLICABLE TO CONSULT-III)

The following is the information specified in Service \$06 of SAE J1979.

The test value is a parameter used to determine whether a system/circuit diagnostic test is OK or NG while being monitored by the ECM during self-diagnosis. The test limit is a reference value which is specified as the maximum or minimum value and is compared with the test value being monitored.

These data (test value and test limit) are specified by Test ID (TID) and Component ID (CID) and can be displayed on the GST screen.

Item	Self-diagnostic test item	DTC	Test value (GST display)		Test limit	Conversion
			TID	CID		
CATALYST	Three way catalyst function (Bank 1)	P0420	01H	01H	Max.	1/128
		P0420	02H	81H	Min.	1
	Three way catalyst function (Bank 2)	P0430	03H	02H	Max.	1/128
		P0430	04H	82H	Min.	1
EVAP SYSTEM	EVAP control system (Small leak)	P0442	05H	03H	Max.	1/128 mm ²
	EVAP control system purge flow monitoring	P0441	06H	83H	Min.	20 mV
	EVAP control system (Very small leak)	P0456	07H	03H	Max.	1/128 mm ²

ON BOARD DIAGNOSTIC (OBD) SYSTEM

Item	Self-diagnostic test item	DTC	Test value (GST display)		Test limit	Conversion	
			TID	CID			
HO2S	Air fuel ratio (A/F) sensor 1 (Bank 1)	P0131	41H	8EH	Min.	5mV	
		P0132	42H	0EH	Max.	5mV	
		P2A00	43H	0EH	Max.	0.002	
		P2A00	44H	8EH	Min.	0.002	
		P0133	45H	8EH	Min.	0.004	
		P0130	46H	0EH	Max.	5mV	
		P0130	47H	8EH	Min.	5mV	
		P0133	48H	8EH	Min.	0.004	
	Air fuel ratio (A/F) sensor 1 (Bank 2)	P0151	4CH	8FH	Min.	5mV	
		P0152	4DH	0FH	Max	5mV	
		P2A03	4EH	0FH	Max.	0.002	
		P2A03	4FH	8FH	Min.	0.002	
		P0153	50H	8FH	Min.	0.004	
		P0150	51H	0FH	Max.	5mV	
		P0150	52H	8FH	Min.	5mV	
		P0153	53H	8FH	Min.	0.004	
	Heated oxygen sensor 2 (Bank 1)	P0138	1CH	06H	Max.	10mV	
		P0139	19H	86H	Min.	10mV/500 ms	
		P0137	1AH	86H	Min.	10 mV	
		P0138	1BH	06H	Max.	10 mV	
	Heated oxygen sensor 2 (Bank 2)	P0158	24H	07H	Max	10mV	
		P0159	21H	87H	Min.	10 mV/500 ms	
		P0157	22H	87H	Min.	10 mV	
		P0158	23H	07H	Max.	10 mV	
	HO2S HTR	Air fuel ratio (A/F) sensor 1 heater (Bank 1)	P0032	57H	10H	Max.	5 mV
			P0031	58H	90H	Max.	5 mV
		Air fuel ratio (A/F) sensor 1 heater (Bank 2)	P0052	59H	11H	Max.	5 mV
			P0051	5AH	91H	Max.	5 mV
Heated oxygen sensor 2 heater (Bank 1)		P0038	2DH	0AH	Max.	20 mV	
		P0037	2EH	8AH	Min.	20 mV	
Heated oxygen sensor 2 heater (Bank 2)		P0058	2FH	0BH	Max.	20 mV	
		P0057	30H	8BH	Min.	20 mV	

HOW TO ERASE EMISSION-RELATED DIAGNOSTIC INFORMATION

How to Erase DTC

 WITH CONSULT-III

The emission related diagnostic information in the ECM can be erased by selecting “ERASE” in the “SELF-DIAG RESULTS” mode with CONSULT-III.

If DTCs are displayed for both ECM and TCM (Transmission control module), they need to be erased individually from the ECM and TCM (Transmission control module).

NOTE:

If the DTC is not for A/T related items (see [EC-8. "INDEX FOR DTC"](#)), skip steps 2 through 4.

1. If the ignition switch stays ON after repair work, be sure to turn ignition switch OFF once. Wait at least 10 seconds and then turn it ON (engine stopped) again.
2. Turn CONSULT-III ON and touch “A/T”.
3. Touch “SELF-DIAG RESULTS”.

ON BOARD DIAGNOSTIC (OBD) SYSTEM

4. Touch "ERASE". [The DTC in the TCM (Transmission control module) will be erased.] Then touch "BACK" twice.
5. Touch "ENGINE".
6. Touch "SELF-DIAG RESULTS".
7. Touch "ERASE". (The DTC in the ECM will be erased.)

WITH GST

The emission related diagnostic information in the ECM can be erased by selecting Service \$04 with GST.

NOTE:

If the DTC is not for A/T related items (see [EC-8, "INDEX FOR DTC"](#)), skip step 2.

1. If the ignition switch stays ON after repair work, be sure to turn ignition switch OFF once. Wait at least 10 seconds and then turn it ON (engine stopped) again.
2. Perform [AT-38, "HOW TO ERASE DTC \(WITH GST\)"](#) . (The DTC in the TCM will be erased.)
3. Select Service \$04 with GST (Generic Scan Tool).

NO TOOLS

NOTE:

If the DTC is not for A/T related items (see [EC-8, "INDEX FOR DTC"](#)), skip step 2.

1. If the ignition switch stays ON after repair work, be sure to turn ignition switch OFF once. Wait at least 10 seconds and then turn it ON (engine stopped) again.
 2. Perform [AT-38, "HOW TO ERASE DTC \(NO TOOLS\)"](#) . (The DTC in the TCM will be erased.)
 3. Change the diagnostic test mode from Mode II to Mode I by depressing the accelerator pedal. Refer to [EC-63, "HOW TO SWITCH DIAGNOSTIC TEST MODE"](#) .
- If the battery is disconnected, the emission-related diagnostic information will be lost within 24 hours.
 - The following data are cleared when the ECM memory is erased.
 - Diagnostic trouble codes
 - 1st trip diagnostic trouble codes
 - Freeze frame data
 - 1st trip freeze frame data
 - System readiness test (SRT) codes
 - Test values

Actual work procedures are explained using a DTC as an example. Be careful so that not only the DTC, but all of the data listed above, are cleared from the ECM memory during work procedures.

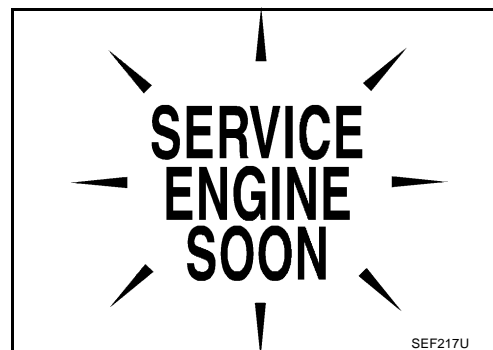
Malfunction Indicator Lamp (MIL)

DESCRIPTION

NBS00032

The MIL is located on the instrument panel.






1. The MIL will light up when the ignition switch is turned ON without the engine running. This is a bulb check. If the MIL does not light up, refer to [DI-56, "WARNING LAMPS"](#) , or see [EC-716, "MIL AND DATA LINK CONNECTOR"](#) .
2. When the engine is started, the MIL should go off. If the MIL remains on, the on board diagnostic system has detected an engine system malfunction.



ON BOARD DIAGNOSTIC SYSTEM FUNCTION

The on board diagnostic system has the following three functions.

ON BOARD DIAGNOSTIC (OBD) SYSTEM

Diagnostic Test Mode	KEY and ENG. Status	Function	Explanation of Function
Mode I	Ignition switch in ON position  Engine stopped 	BULB CHECK	This function checks the MIL bulb for damage (blown, open circuit, etc.). If the MIL does not come on, check MIL circuit.
	Engine running 	MALFUNCTION WARNING	This is a usual driving condition. When a malfunction is detected twice in two consecutive driving cycles (two trip detection logic), the MIL will light up to inform the driver that a malfunction has been detected. The following malfunctions will light up or blink the MIL in the 1st trip. <ul style="list-style-type: none"> ● Misfire (Possible three way catalyst damage) ● One trip detection diagnoses
Mode II	Ignition switch in ON position  Engine stopped 	SELF-DIAGNOSTIC RESULTS	This function allows DTCs and 1st trip DTCs to be read.

When there is an open circuit on MIL circuit, the ECM cannot warn the driver by lighting up MIL when there is malfunction on engine control system.

Therefore, when electrical controlled throttle and part of ECM related diagnoses are continuously detected as NG for 5 trips, ECM warns the driver that engine control system malfunctions and MIL circuit is open by means of operating fail-safe function.

The fail-safe function also operates when above diagnoses except MIL circuit are detected and demands the driver to repair the malfunction.

Engine operating condition in fail-safe mode	Engine speed will not rise more than 2,500 rpm due to the fuel cut
--	--

MIL Flashing Without DTC

When any SRT codes are not set, MIL may flash without DTC. For the details, refer to [EC-56. "How to Display SRT Status"](#).

HOW TO SWITCH DIAGNOSTIC TEST MODE

NOTE:

- It is better to count the time accurately with a clock.
- It is impossible to switch the diagnostic mode when an accelerator pedal position sensor circuit has a malfunction.
- Always ECM returns to Diagnostic Test Mode I after ignition switch is turned OFF.

How to Set Diagnostic Test Mode II (Self-diagnostic Results)

1. Confirm that accelerator pedal is fully released, turn ignition switch ON and wait 3 seconds.
2. Repeat the following procedure quickly 5 times within 5 seconds.
 - a. Fully depress the accelerator pedal.
 - b. Fully release the accelerator pedal.
3. Wait 7 seconds, fully depress the accelerator pedal and keep it for approx. 10 seconds until the MIL starts blinking.

ON BOARD DIAGNOSTIC (OBD) SYSTEM

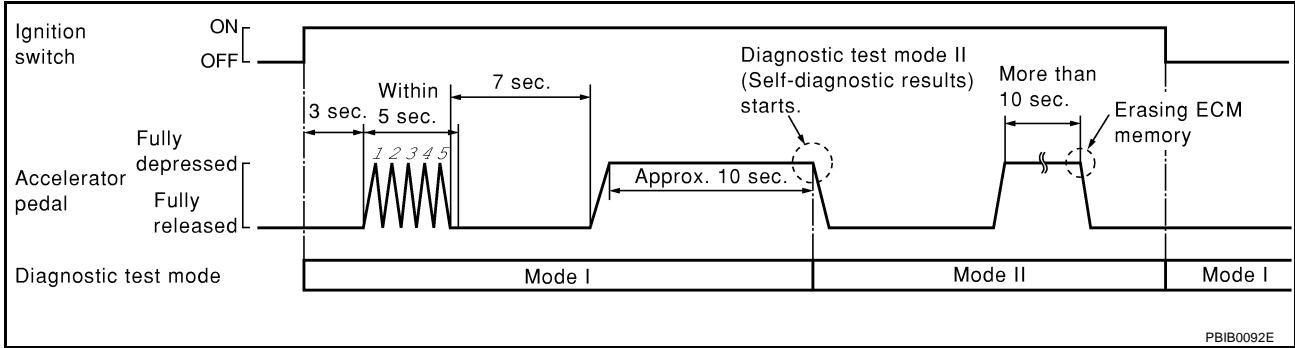
NOTE:

Do not release the accelerator pedal for 10 seconds if MIL may start blinking on the halfway of this 10 seconds. This blinking is displaying SRT status and is continued for another 10 seconds. For the details, refer to [EC-56, "How to Display SRT Status"](#) .

4. Fully release the accelerator pedal.
ECM has entered to Diagnostic Test Mode II (Self-diagnostic results).

NOTE:

Wait until the same DTC (or 1st trip DTC) appears to confirm all DTCs certainly.



How to Erase Diagnostic Test Mode II (Self-diagnostic Results)

1. Set ECM in Diagnostic Test Mode II (Self-diagnostic results).
Refer to [EC-63, "How to Set Diagnostic Test Mode II \(Self-diagnostic Results\)"](#) .
2. Fully depress the accelerator pedal and keep it for more than 10 seconds.
The emission-related diagnostic information has been erased from the backup memory in the ECM.
3. Fully release the accelerator pedal, and confirm the DTC 0000 is displayed.

DIAGNOSTIC TEST MODE I — BULB CHECK

In this mode, the MIL on the instrument panel should stay ON. If it remains OFF, check the bulb.
Refer to [DI-56, "WARNING LAMPS"](#) or see [EC-716, "MIL AND DATA LINK CONNECTOR"](#) .

DIAGNOSTIC TEST MODE I — MALFUNCTION WARNING

MIL	Condition
ON	When the malfunction is detected.
OFF	No malfunction.

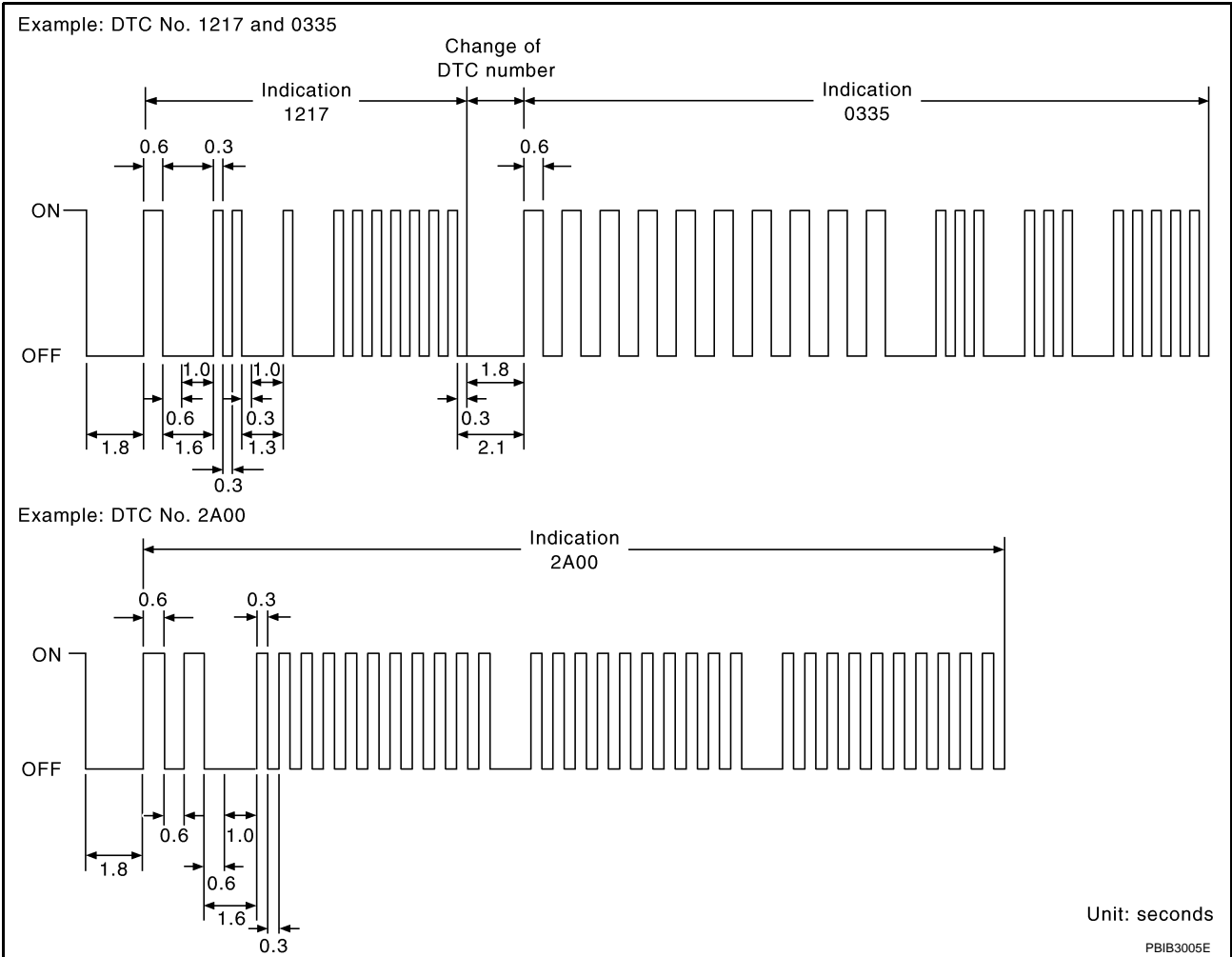
These DTC numbers are clarified in Diagnostic Test Mode II (SELF-DIAGNOSTIC RESULTS)

DIAGNOSTIC TEST MODE II — SELF-DIAGNOSTIC RESULTS

In this mode, the DTC and 1st trip DTC are indicated by the number of blinks of the MIL as shown below. The DTC and 1st trip DTC are displayed at the same time. If the MIL does not illuminate in diagnostic test mode I (Malfunction warning), all displayed items are 1st trip DTCs. If only one code is displayed when the MIL illuminates in diagnostic test mode II (SELF-DIAGNOSTIC RESULTS), it is a DTC; if two or more codes are displayed, they may be either DTCs or 1st trip DTCs. DTC No. is same as that of 1st trip DTC. These uniden-

ON BOARD DIAGNOSTIC (OBD) SYSTEM

tified codes can be identified by using the CONSULT-III or GST. A DTC will be used as an example for how to read a code.



A particular trouble code can be identified by the number of four-digit numeral flashes as follows. The length of time the 1,000th-digit numeral flashes on and off is 1.2 seconds consisting of an ON (0.6-second) - OFF (0.6-second) cycle. The 100th-digit numeral and lower digit numerals consist of a 0.3-second ON and 0.3-second OFF cycle. A change from one digit numeral to another occurs at an interval of 1.0-second OFF. In other words, the later numeral appears on the display 1.3 seconds after the former numeral has disappeared.

Number	0	1	2	3	4	5	6	7	8	9	A	B	C	D	E	F
Flashes	10	1	2	3	4	5	6	7	8	9	11	12	13	14	15	16

A change from one trouble code to another occurs at an interval of 1.8-second OFF. In this way, all the detected malfunctions are classified by their DTC numbers. The DTC 0000 refers to no malfunction. (See [EC-8, "INDEX FOR DTC"](#))

How to Erase Diagnostic Test Mode II (Self-diagnostic Results)

The DTC can be erased from the back up memory in the ECM by depressing accelerator pedal. Refer to [EC-64, "How to Erase Diagnostic Test Mode II \(Self-diagnostic Results\)"](#) .

- If the battery is disconnected, the DTC will be lost from the backup memory within 24 hours.
- Be careful not to erase the stored memory before starting trouble diagnoses.

OBD System Operation Chart

RELATIONSHIP BETWEEN MIL, 1ST TRIP DTC, DTC, AND DETECTABLE ITEMS

NBS00033

- When a malfunction is detected for the 1st time, the 1st trip DTC and the 1st trip freeze frame data are stored in the ECM memory.

ON BOARD DIAGNOSTIC (OBD) SYSTEM

- When the same malfunction is detected in two consecutive trips, the DTC and the freeze frame data are stored in the ECM memory, and the MIL will come on. For details, refer to [EC-47, "Two Trip Detection Logic"](#).
- The MIL will go off after the vehicle is driven 3 times (driving pattern B) with no malfunction. The drive is counted only when the recorded driving pattern is met (as stored in the ECM). If another malfunction occurs while counting, the counter will reset.
- The DTC and the freeze frame data will be stored until the vehicle is driven 40 times (driving pattern A) without the same malfunction recurring (except for Misfire and Fuel Injection System). For Misfire and Fuel Injection System, the DTC and freeze frame data will be stored until the vehicle is driven 80 times (driving pattern C) without the same malfunction recurring. The "TIME" in "SELF-DIAGNOSTIC RESULTS" mode of CONSULT-III will count the number of times the vehicle is driven.
- The 1st trip DTC is not displayed when the self-diagnosis results in OK for the 2nd trip.

SUMMARY CHART

Items	Fuel Injection System	Misfire	Other
MIL (goes off)	3 (pattern B)	3 (pattern B)	3 (pattern B)
DTC, Freeze Frame Data (no display)	80 (pattern C)	80 (pattern C)	40 (pattern A)
1st Trip DTC (clear)	1 (pattern C), *1	1 (pattern C), *1	1 (pattern B)
1st Trip Freeze Frame Data (clear)	*1, *2	*1, *2	1 (pattern B)

For details about patterns B and C under "Fuel Injection System" and "Misfire", see [EC-68](#).

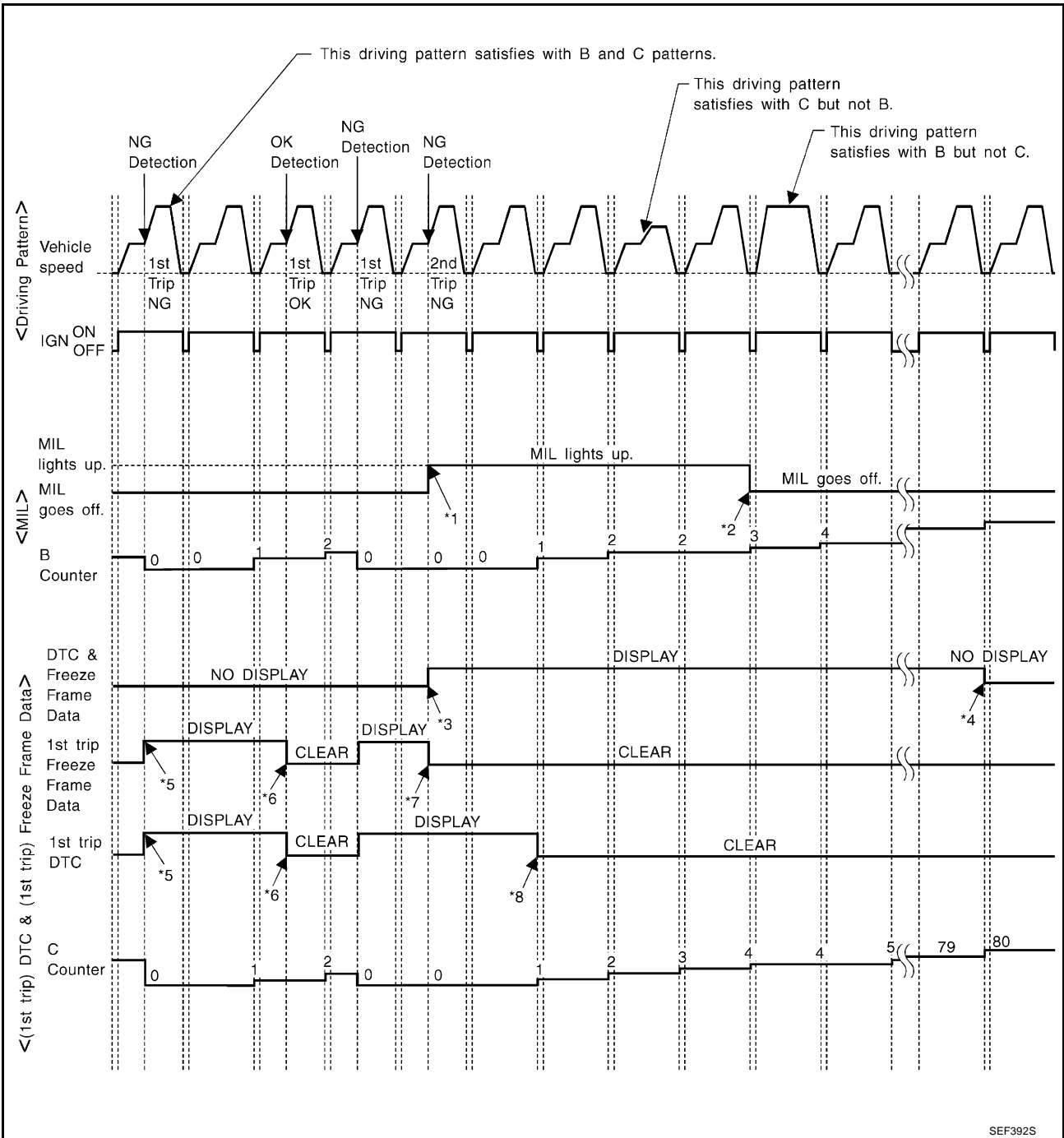
For details about patterns A and B under "Other", see [EC-70](#).

*1: Clear timing is at the moment OK is detected.

*2: Clear timing is when the same malfunction is detected in the 2nd trip.

ON BOARD DIAGNOSTIC (OBD) SYSTEM

RELATIONSHIP BETWEEN MIL, DTC, 1ST TRIP DTC AND DRIVING PATTERNS FOR “MISFIRE” <EXHAUST QUALITY DETERIORATION>, “FUEL INJECTION SYSTEM”



- *1: When the same malfunction is detected in two consecutive trips, MIL will light up.
- *2: MIL will go off after vehicle is driven 3 times (pattern B) without any malfunctions.
- *3: When the same malfunction is detected in two consecutive trips, the DTC and the freeze frame data will be stored in ECM.
- *4: The DTC and the freeze frame data will not be displayed any longer after vehicle is driven 80 times (pattern C) without the same malfunction. (The DTC and the freeze frame data still remain in ECM.)
- *5: When a malfunction is detected for the 1st time, the 1st trip DTC and the 1st trip freeze frame data will be stored in ECM.
- *6: The 1st trip DTC and the 1st trip freeze frame data will be cleared at the moment OK is detected.
- *7: When the same malfunction is detected in the 2nd trip, the 1st trip freeze frame data will be cleared.
- *8: 1st trip DTC will be cleared when vehicle is driven once (pattern C) without the same malfunction after DTC is stored in ECM.

ON BOARD DIAGNOSTIC (OBD) SYSTEM

EXPLANATION FOR DRIVING PATTERNS FOR “MISFIRE <EXHAUST QUALITY DETERIORATION>”, “FUEL INJECTION SYSTEM”

<Driving Pattern B>

Driving pattern B means the vehicle operation as follows:

All components and systems should be monitored at least once by the OBD system.

- The B counter will be cleared when the malfunction is detected once regardless of the driving pattern.
- The B counter will be counted up when driving pattern B is satisfied without any malfunction.
- The MIL will go off when the B counter reaches 3. (*2 in OBD SYSTEM OPERATION CHART)

<Driving Pattern C>

Driving pattern C means the vehicle operation as follows:

The following conditions should be satisfied at the same time:

Engine speed: (Engine speed in the freeze frame data) ± 375 rpm

Calculated load value: (Calculated load value in the freeze frame data) $\times (1 \pm 0.1)$ [%]

Engine coolant temperature (T) condition:

- When the freeze frame data shows lower than 70°C (158°F), T should be lower than 70°C (158°F).
- When the freeze frame data shows higher than or equal to 70°C (158°F), T should be higher than or equal to 70°C (158°F).

Example:

If the stored freeze frame data is as follows:

Engine speed: 850 rpm, Calculated load value: 30%, Engine coolant temperature: 80°C (176°F)

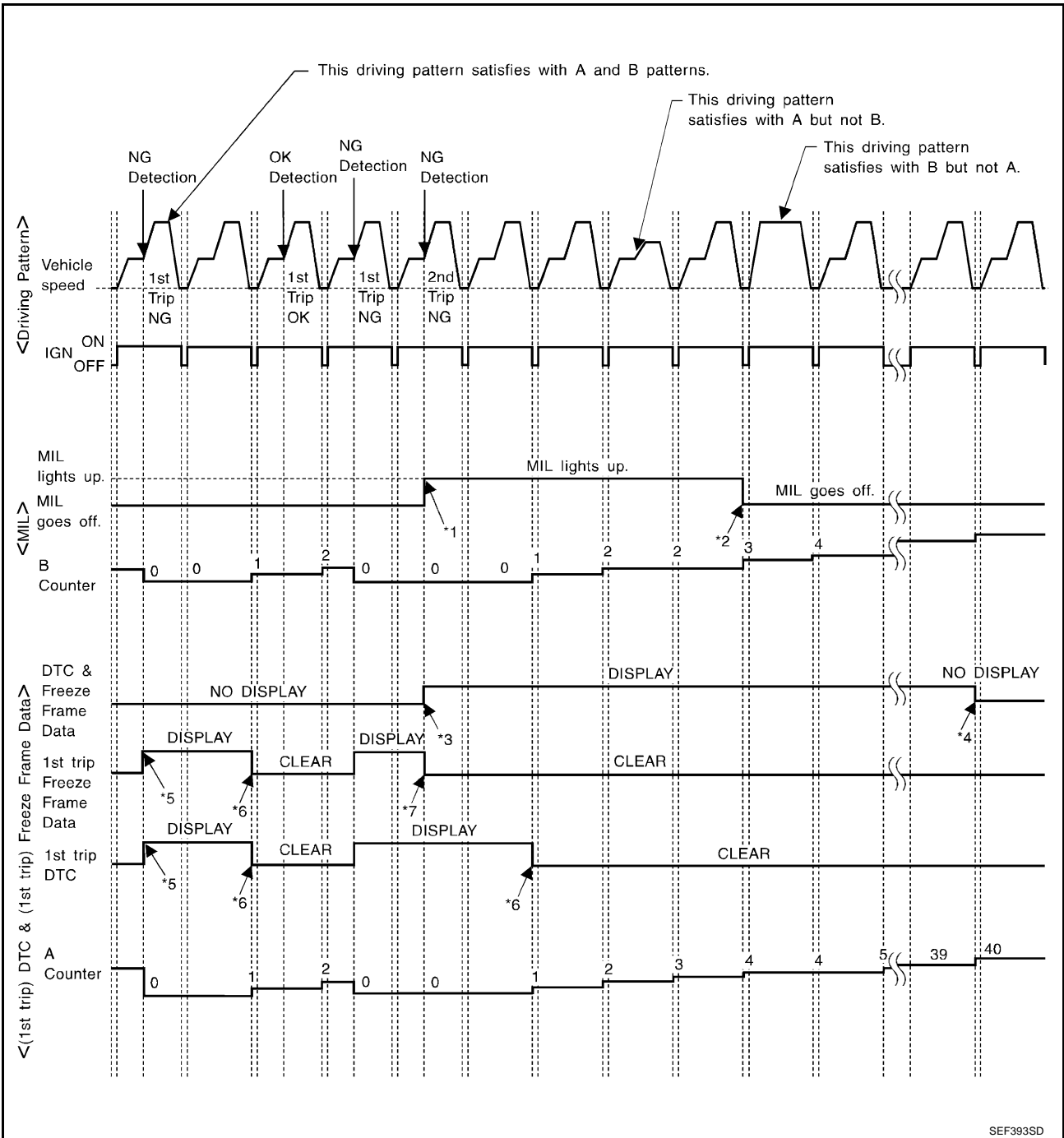
To be satisfied with driving pattern C, the vehicle should run under the following conditions:

Engine speed: 475 - 1,225 rpm, Calculated load value: 27 - 33%, Engine coolant temperature: more than 70°C (158°F)

- The C counter will be cleared when the malfunction is detected regardless of vehicle conditions above.
- The C counter will be counted up when vehicle conditions above is satisfied without the same malfunction.
- The DTC will not be displayed after C counter reaches 80. (*2 in OBD SYSTEM OPERATION CHART)
- The 1st trip DTC will be cleared when C counter is counted once without the same malfunction after DTC is stored in ECM.

ON BOARD DIAGNOSTIC (OBD) SYSTEM

RELATIONSHIP BETWEEN MIL, DTC, 1ST TRIP DTC AND DRIVING PATTERNS EXCEPT FOR "MISFIRE <EXHAUST QUALITY DETERIORATION>", "FUEL INJECTION SYSTEM"

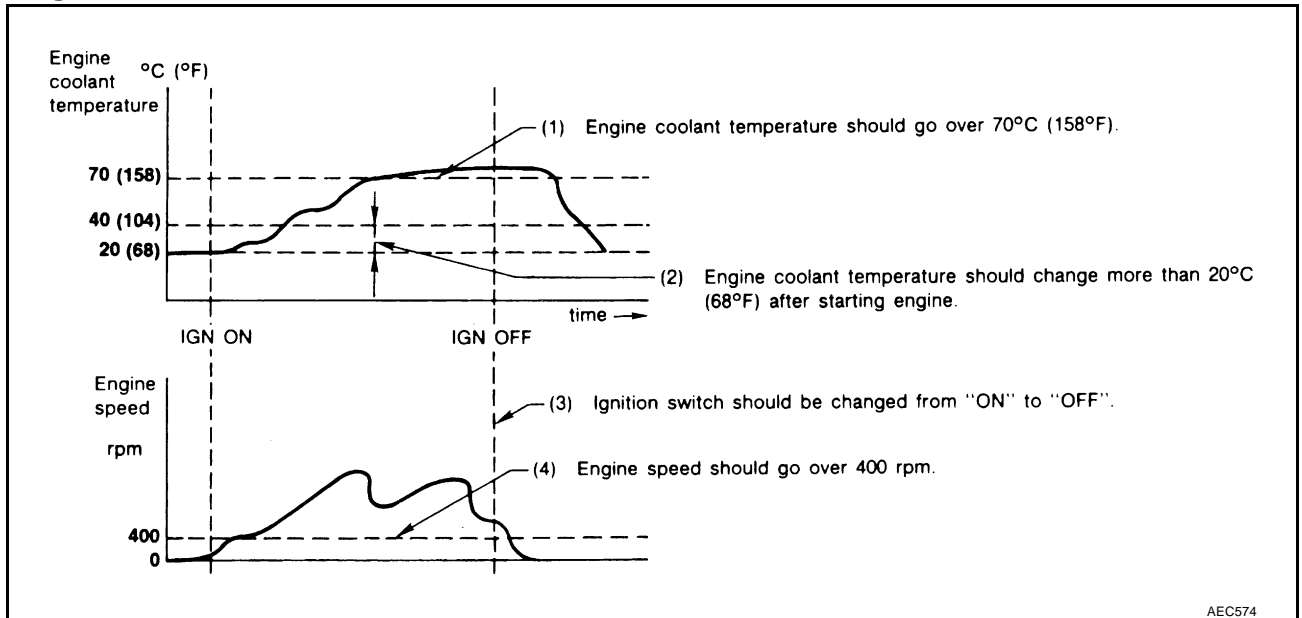


- *1: When the same malfunction is detected in two consecutive trips, MIL will light up.
- *2: MIL will go off after vehicle is driven 3 times (pattern B) without any malfunctions.
- *3: When the same malfunction is detected in two consecutive trips, the DTC and the freeze frame data will be stored in ECM.
- *4: The DTC and the freeze frame data will not be displayed any longer after vehicle is driven 40 times (pattern A) without the same malfunction. (The DTC and the freeze frame data still remain in ECM.)
- *5: When a malfunction is detected for the 1st time, the 1st trip DTC and the 1st trip freeze frame data will be stored in ECM.
- *6: 1st trip DTC will be cleared after vehicle is driven once (pattern B) without the same malfunction.
- *7: When the same malfunction is detected in the 2nd trip, the 1st trip freeze frame data will be cleared.

ON BOARD DIAGNOSTIC (OBD) SYSTEM

EXPLANATION FOR DRIVING PATTERNS EXCEPT FOR "MISFIRE <EXHAUST QUALITY DETERIORATION>", "FUEL INJECTION SYSTEM"

<Driving Pattern A>



- The A counter will be cleared when the malfunction is detected regardless of (1) - (4).
- The A counter will be counted up when (1) - (4) are satisfied without the same malfunction.
- The DTC will not be displayed after the A counter reaches 40. (*2 in OBD SYSTEM OPERATION CHART)

<Driving Pattern B>

Driving pattern B means the vehicle operation as follows:

All components and systems should be monitored at least once by the OBD system.

- The B counter will be cleared when the malfunction is detected once regardless of the driving pattern.
- The B counter will be counted up when driving pattern B is satisfied without any malfunctions.
- The MIL will go off when the B counter reaches 3 (*2 in OBD SYSTEM OPERATION CHART).

BASIC SERVICE PROCEDURE

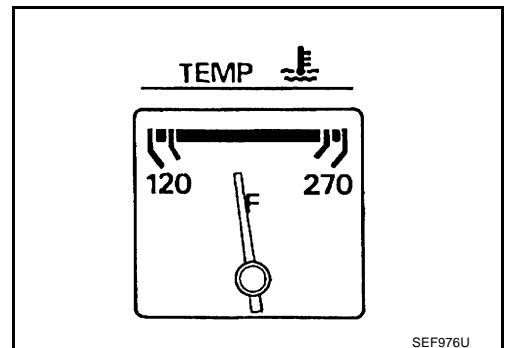
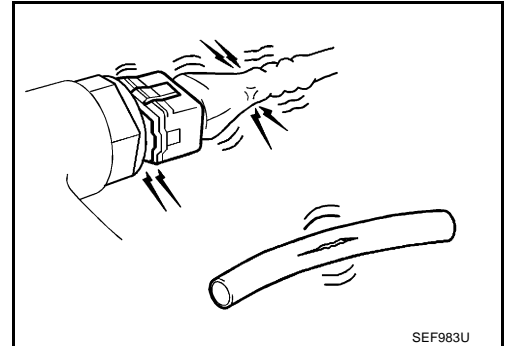
PFP:00018

Basic Inspection

NBS00034

1. INSPECTION START

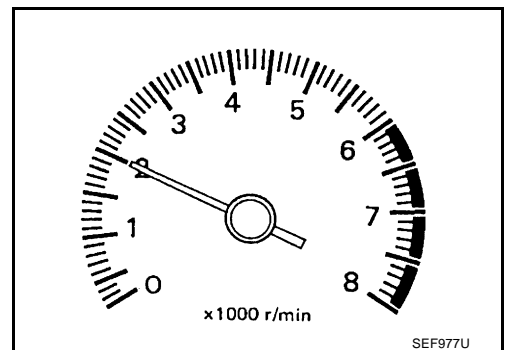
1. Check service records for any recent repairs that may indicate a related malfunction, or a current need for scheduled maintenance.
2. Open engine hood and check the following:
 - Harness connectors for improper connections
 - Wiring harness for improper connections, pinches and cut
 - Vacuum hoses for splits, kinks and improper connections
 - Hoses and ducts for leaks
 - Air cleaner clogging
 - Gasket
3. Confirm that electrical or mechanical loads are not applied.
 - Headlamp switch is OFF.
 - Air conditioner switch is OFF.
 - Rear window defogger switch is OFF.
 - Steering wheel is in the straight-ahead position, etc.
4. Start engine and warm it up until engine coolant temperature indicator points the middle of gauge.
Ensure engine stays below 1,000 rpm.



5. Run engine at about 2,000 rpm for about 2 minutes under no-load.
6. Make sure that no DTC is displayed with CONSULT-III or GST.

OK or NG

- OK >> GO TO 3.
- NG >> GO TO 2.



2. REPAIR OR REPLACE

Repair or replace components as necessary according to corresponding Diagnostic Procedure.

>> GO TO 3.

BASIC SERVICE PROCEDURE

3. CHECK TARGET IDLE SPEED

④ With CONSULT-III

1. Run engine at about 2,000 rpm for about 2 minutes under no-load.
2. Rev engine (2,000 to 3,000 rpm) two or three times under no-load, then run engine at idle speed for about 1 minute.
3. Read idle speed in "DATA MONITOR" mode with CONSULT-III. Refer to [EC-76, "IDLE SPEED"](#) .

A/T: 650 ± 50 rpm (in P or N position)

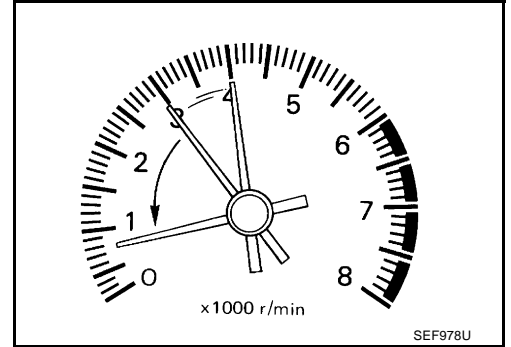
M/T: 650 ± 50 rpm (in Neutral position)

⊗ Without CONSULT-III

1. Run engine at about 2,000 rpm for about 2 minutes under no-load.
2. Rev engine (2,000 to 3,000 rpm) two or three times under no-load, then run engine at idle speed for about 1 minute.
3. Check idle speed. Refer to [EC-76, "IDLE SPEED"](#) .

A/T: 650 ± 50 rpm (in P or N position)

M/T: 650 ± 50 rpm (in Neutral position)



OK or NG

- OK >> GO TO 10.
NG >> GO TO 4.

4. PERFORM ACCELERATOR PEDAL RELEASED POSITION LEARNING

1. Stop engine.
2. Perform [EC-77, "Accelerator Pedal Released Position Learning"](#) .

>> GO TO 5.

5. PERFORM THROTTLE VALVE CLOSED POSITION LEARNING

Perform [EC-77, "Throttle Valve Closed Position Learning"](#) .

>> GO TO 6.

6. PERFORM IDLE AIR VOLUME LEARNING

Refer to [EC-77, "Idle Air Volume Learning"](#) .

Is Idle Air Volume Learning carried out successfully?

Yes or No

- Yes >> GO TO 7.
No >> 1. Follow the instruction of Idle Air Volume Learning.
2. GO TO 4.

BASIC SERVICE PROCEDURE

7. CHECK TARGET IDLE SPEED AGAIN

🔧 With CONSULT-III

1. Start engine and warm it up to normal operating temperature.
2. Read idle speed in "DATA MONITOR" mode with CONSULT-III.
Refer to [EC-76, "IDLE SPEED"](#) .

A/T: 650 ± 50 rpm (in P or N position)

M/T: 650 ± 50 rpm (in Neutral position)

⊗ Without CONSULT-III

1. Start engine and warm it up to normal operating temperature.
2. Check idle speed. Refer to [EC-76, "IDLE SPEED"](#) .

A/T: 650 ± 50 rpm (in P or N position)

M/T: 650 ± 50 rpm (in Neutral position)

OK or NG

OK >> GO TO 10.

NG >> GO TO 8.

8. DETECT MALFUNCTIONING PART

Check the following.

- Check camshaft position sensor (PHASE) and circuit.
Refer to [EC-394, "DTC P0340, P0345 CMP SENSOR \(PHASE\)"](#) .
- Check crankshaft position sensor (POS) and circuit.
Refer to [EC-386, "DTC P0335 CKP SENSOR \(POS\)"](#) .

OK or NG

OK >> GO TO 9.

NG >> 1. Repair or replace.
2. GO TO 4.

9. CHECK ECM FUNCTION

1. Substitute another known-good ECM to check ECM function. (ECM may be the cause of an incident, but this is a rare case.)
2. Perform initialization of NVIS (NATS) system and registration of all NVIS (NATS) ignition key IDs.
Refer to [BL-150, "NVIS \(NISSAN VEHICLE IMMOBILIZER SYSTEM-NATS\)"](#) .

>> GO TO 4.

10. CHECK IGNITION TIMING

1. Run engine at idle.
2. Check ignition timing with a timing light.

A : Timing indicator

Refer to [EC-76, "IGNITION TIMING"](#) .

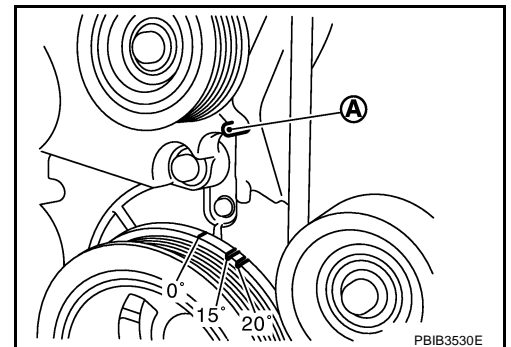
A/T: 15 ± 5° BTDC (in P or N position)

M/T: 15 ± 5° BTDC (in Neutral position)

OK or NG

OK >> GO TO 19.

NG >> GO TO 11.



BASIC SERVICE PROCEDURE

11. PERFORM ACCELERATOR PEDAL RELEASED POSITION LEARNING

1. Stop engine.
2. Perform [EC-77, "Accelerator Pedal Released Position Learning"](#) .

>> GO TO 12.

12. PERFORM THROTTLE VALVE CLOSED POSITION LEARNING

Perform [EC-77, "Throttle Valve Closed Position Learning"](#) .

>> GO TO 13.

13. PERFORM IDLE AIR VOLUME LEARNING

Refer to [EC-77, "Idle Air Volume Learning"](#) .

Is Idle Air Volume Learning carried out successfully?

Yes or No

- Yes >> GO TO 14.
No >> 1. Follow the instruction of Idle Air Volume Learning.
2. GO TO 4.

14. CHECK TARGET IDLE SPEED AGAIN

With CONSULT-III

1. Start engine and warm it up to normal operating temperature.
2. Read idle speed in "DATA MONITOR" mode with CONSULT-III.
Refer to [EC-76, "IDLE SPEED"](#) .

A/T: 650 ± 50 rpm (in P or N position)

M/T: 650 ± 50 rpm (in Neutral position)

Without CONSULT-III

1. Start engine and warm it up to normal operating temperature.
2. Check idle speed. Refer to [EC-76, "IDLE SPEED"](#) .

A/T: 650 ± 50 rpm (in P or N position)

M/T: 650 ± 50 rpm (in Neutral position)

OK or NG

- OK >> GO TO 15.
NG >> GO TO 17.

15. CHECK IGNITION TIMING AGAIN

1. Run engine at idle.
2. Check ignition timing with a timing light.

A : Timing indicator

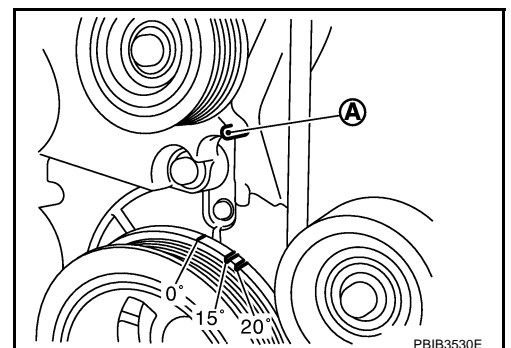
Refer to [EC-76, "IGNITION TIMING"](#) .

A/T: 15 ± 5° BTDC (in P or N position)

M/T: 15 ± 5° BTDC (in Neutral position)

OK or NG

- OK >> GO TO 19.
NG >> GO TO 16.



BASIC SERVICE PROCEDURE

16. CHECK TIMING CHAIN INSTALLATION

Check timing chain installation. Refer to [EM-53, "TIMING CHAIN"](#) .

OK or NG

- OK >> GO TO 17.
NG >> 1. Repair the timing chain installation.
2. GO TO 4.

17. DETECT MALFUNCTIONING PART

Check the following.

- Check camshaft position sensor (PHASE) and circuit.
Refer to [EC-394, "DTC P0340, P0345 CMP SENSOR \(PHASE\)"](#) .
- Check crankshaft position sensor (POS) and circuit.
Refer to [EC-386, "DTC P0335 CKP SENSOR \(POS\)"](#) .

OK or NG

- OK >> GO TO 18.
NG >> 1. Repair or replace.
2. GO TO 4.

18. CHECK ECM FUNCTION

1. Substitute another known-good ECM to check ECM function. (ECM may be the cause of an incident, but this is a rare case.)
2. Perform initialization of NVIS (NATS) system and registration of all NVIS (NATS) ignition key IDs.
Refer to [BL-150, "NVIS \(NISSAN VEHICLE IMMOBILIZER SYSTEM-NATS\)"](#) .

>> GO TO 4.

19. INSPECTION END

Did you replace the ECM, referring this Basic Inspection procedure?

Yes or No

- Yes >> 1. Perform [EC-76, "VIN Registration"](#)
2. Perform [EC-76, "Exhaust Valve Timing Control Learning"](#) .
3. **INSPECTION END**
- No >> **INSPECTION END**

A

EC

C

D

E

F

G

H

I

J

K

L

M

Idle Speed and Ignition Timing Check

NBS00035

IDLE SPEED

With CONSULT-III

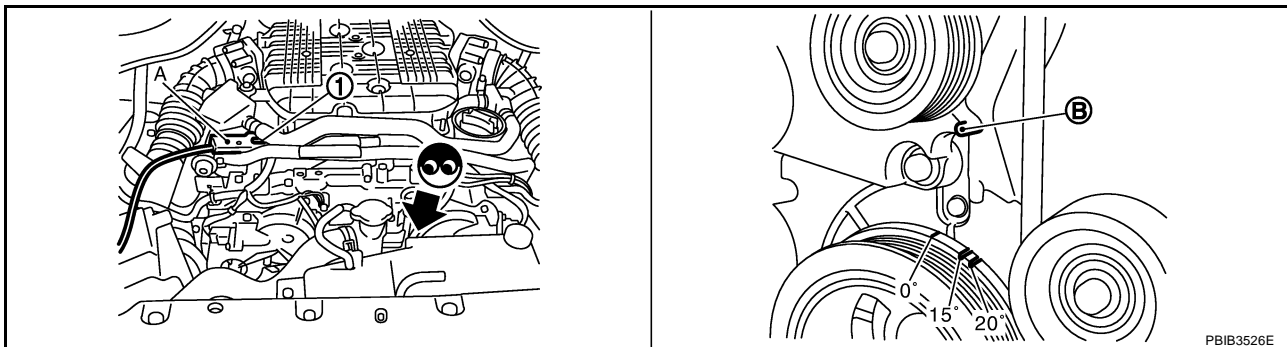
Check idle speed in "DATA MONITOR" mode with CONSULT-III.

With GST

Check idle speed in Service \$01 with GST.

IGNITION TIMING

1. Attach timing light to loop wire as shown.



1. Loop wire
- A. Timing light
- B. Timing indicator

2. Check ignition timing.

Procedure After Replacing ECM

NBS006SZ

When replacing ECM, the following procedure must be performed.

1. Perform initialization of NVIS (NATS) system and registration of all NVIS (NATS) ignition key IDs. Refer to [BL-152, "ECM Re-communicating Function"](#).
2. Perform [EC-76, "VIN Registration"](#).
3. Perform [EC-76, "Exhaust Valve Timing Control Learning"](#).
4. Perform [EC-77, "Accelerator Pedal Released Position Learning"](#).
5. Perform [EC-77, "Throttle Valve Closed Position Learning"](#).
6. Perform [EC-77, "Idle Air Volume Learning"](#).

VIN Registration

NBS00037

DESCRIPTION

VIN Registration is an operation to registering VIN in ECM. It must be performed each time ECM is replaced.

NOTE:

Accurate VIN which is registered in ECM may be required for Inspection & Maintenance (I/M).

OPERATION PROCEDURE

With CONSULT-III

1. Check the VIN of the vehicle and note it. Refer to [GI-46, "IDENTIFICATION INFORMATION"](#).
2. Turn ignition switch ON and engine stopped.
3. Select "VIN REGISTRATION" in "WORK SUPPORT" mode.
4. Follow the instruction of CONSULT-III display.

Exhaust Valve Timing Control Learning

NBS00038

DESCRIPTION

Exhaust Valve Timing Control Learning is an operation to learn the characteristic of exhaust valve timing control magnet retarder by comparing the target angle of exhaust camshaft with the actual retarded angle of exhaust camshaft. It must be performed each time exhaust valve timing control magnet retarder is disconnected or replaced, or ECM is replaced.

BASIC SERVICE PROCEDURE

OPERATION PROCEDURE

With CONSULT-III

1. Start engine and warm it up to normal operation temperature.
2. Set shift lever in neutral position and confirm that following electrical or mechanical loads are not applied.
 - Headlamp switch is OFF
 - Air conditioner switch is OFF
 - Rear defogger switch is OFF
 - Steering wheel is in the straight-ahead position, etc
3. Keep the engine speed between 1,800 and 2,000 rpm.
4. Select "EXH V/T CONTROL LEARN" in "WORK SUPPORT" mode with CONSULT-III.
5. Touch "START" and wait 20 seconds.
6. Make sure that "CMPLT" is displayed on CONSULT-III screen.

Learning completed : CMPLT

Learning not yet : YET

Without CONSULT-III

1. Start engine and warm it up to normal operation temperature.
2. Set shift lever in neutral position and confirm that following electrical or mechanical loads are not applied.
 - Headlamp switch is OFF
 - Air conditioner switch is OFF
 - Rear defogger switch is OFF
 - Steering wheel is in the straight-ahead position, etc
3. Keep the engine speed between 1,800 and 2,000 rpm at 20 seconds.

Accelerator Pedal Released Position Learning DESCRIPTION

NBS00039

Accelerator Pedal Released Position Learning is an operation to learn the fully released position of the accelerator pedal by monitoring the accelerator pedal position sensor output signal. It must be performed each time harness connector of accelerator pedal position sensor or ECM is disconnected.

OPERATION PROCEDURE

1. Make sure that accelerator pedal is fully released.
2. Turn ignition switch ON and wait at least 2 seconds.
3. Turn ignition switch OFF and wait at least 10 seconds.
4. Turn ignition switch ON and wait at least 2 seconds.
5. Turn ignition switch OFF and wait at least 10 seconds.

Throttle Valve Closed Position Learning DESCRIPTION

NBS0003A

Throttle Valve Closed Position Learning is an operation to learn the fully closed position of the throttle valve by monitoring the throttle position sensor output signal. It must be performed each time harness connector of electric throttle control actuator or ECM is disconnected.

OPERATION PROCEDURE

1. Make sure that accelerator pedal is fully released.
2. Turn ignition switch ON.
3. Turn ignition switch OFF and wait at least 10 seconds.
Make sure that throttle valve moves during above 10 seconds by confirming the operating sound.

Idle Air Volume Learning DESCRIPTION

NBS0003B

Idle Air Volume Learning is an operation to learn the idle air volume that keeps each engine within the specific range. It must be performed under any of the following conditions:

- Each time electric throttle control actuator or ECM is replaced.

BASIC SERVICE PROCEDURE

- Idle speed or ignition timing is out of specification.

PREPARATION

Before performing Idle Air Volume Learning, make sure that all of the following conditions are satisfied. Learning will be cancelled if any of the following conditions are missed for even a moment.

- Battery voltage: More than 12.9V (At idle)
- Engine coolant temperature: 70 - 100°C (158 - 212°F)
- Park/neutral position (PNP) switch: ON
- Electric load switch: OFF
(Air conditioner, headlamp, rear window defogger)
On vehicles equipped with daytime light systems, if the parking brake is applied before the engine is started, the headlamp will not be illuminated.
- Steering wheel: Neutral (Straight-ahead position)
- Vehicle speed: Stopped
- Transmission: Warmed-up
 - For A/T models with CONSULT-III
- Drive vehicle until "ATF TEMP SE 1" in "DATA MONITOR" mode of "A/T" system indicates less than 0.9V.
 - For A/T models without CONSULT-III and M/T models
- Drive vehicle for 10 minutes.

OPERATION PROCEDURE

Ⓟ With CONSULT-III

1. Perform [EC-77, "Accelerator Pedal Released Position Learning"](#) .
2. Perform [EC-77, "Throttle Valve Closed Position Learning"](#) .
3. Start engine and warm it up to normal operating temperature.
4. Check that all items listed under the topic PREPARATION (previously mentioned) are in good order.
5. Select "IDLE AIR VOL LEARN" in "WORK SUPPORT" mode.
6. Touch "START" and wait 20 seconds.
7. Make sure that "CMPLT" is displayed on CONSULT-III screen. If "CMPLT" is not displayed, Idle Air Volume Learning will not be carried out successfully. In this case, find the cause of the incident by referring to the DIAGNOSIS PROCEDURE below.
8. Rev up the engine two or three times and make sure that idle speed and ignition timing are within the specifications.

ITEM	SPECIFICATION
Idle speed	A/T: 650 ± 50 rpm (in P or N position) M/T: 650 ± 50 rpm (in Neutral position)
Ignition timing	A/T: 15 ± 5° BTDC (in P or N position) M/T: 15 ± 5° BTDC (in Neutral position)

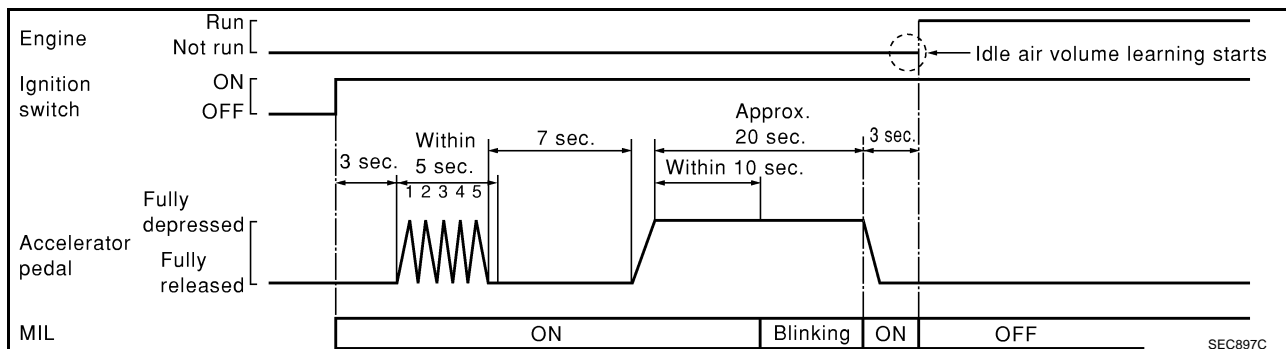
ⓧ Without CONSULT-III

NOTE:

- **It is better to count the time accurately with a clock.**
 - **It is impossible to switch the diagnostic mode when an accelerator pedal position sensor circuit has a malfunction.**
1. Perform [EC-77, "Accelerator Pedal Released Position Learning"](#) .
 2. Perform [EC-77, "Throttle Valve Closed Position Learning"](#) .
 3. Start engine and warm it up to normal operating temperature.
 4. Check that all items listed under the topic PREPARATION (previously mentioned) are in good order.
 5. Turn ignition switch OFF and wait at least 10 seconds.
 6. Confirm that accelerator pedal is fully released, turn ignition switch ON and wait 3 seconds.
 7. Repeat the following procedure quickly five times within 5 seconds.
 - a. Fully depress the accelerator pedal.
 - b. Fully release the accelerator pedal.

BASIC SERVICE PROCEDURE

8. Wait 7 seconds, fully depress the accelerator pedal and keep it for approx. 20 seconds until the MIL stops blinking and turned ON.
9. Fully release the accelerator pedal within 3 seconds after the MIL turned ON.
10. Start engine and let it idle.
11. Wait 20 seconds.



12. Rev up the engine two or three times and make sure that idle speed and ignition timing are within the specifications.

ITEM	SPECIFICATION
Idle speed	A/T: 650 ± 50 rpm (in P or N position) M/T: 650 ± 50 rpm (in Neutral position)
Ignition timing	A/T: $15 \pm 5^\circ$ BTDC (in P or N position) M/T: $15 \pm 5^\circ$ BTDC (in Neutral position)

13. If idle speed and ignition timing are not within the specification, Idle Air Volume Learning will not be carried out successfully. In this case, find the cause of the incident by referring to the DIAGNOSTIC PROCEDURE below.

DIAGNOSTIC PROCEDURE

If Idle Air Volume Learning cannot be performed successfully, proceed as follows:

1. Check that throttle valve is fully closed.
2. Check PCV valve operation.
3. Check that downstream of throttle valve is free from air leakage.
4. When the above three items check out OK, engine component parts and their installation condition are questionable. Check and eliminate the cause of the incident.
It is useful to perform [EC-132. "TROUBLE DIAGNOSIS - SPECIFICATION VALUE"](#).
5. If any of the following conditions occur after the engine has started, eliminate the cause of the incident and perform Idle Air Volume Learning all over again:
 - Engine stalls.
 - Erroneous idle.

Fuel Pressure Check FUEL PRESSURE RELEASE

NBS0003C

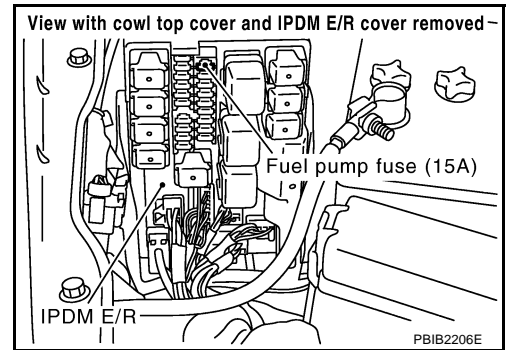
Ⓟ With CONSULT-III

1. Turn ignition switch ON.
2. Perform "FUEL PRESSURE RELEASE" in "WORK SUPPORT" mode with CONSULT-III.
3. Start engine.
4. After engine stalls, crank it two or three times to release all fuel pressure.
5. Turn ignition switch OFF.

BASIC SERVICE PROCEDURE

⊗ Without CONSULT-III

1. Remove fuel pump fuse (1) located in IPDM E/R (2).
2. Start engine.
3. After engine stalls, crank it two or three times to release all fuel pressure.
4. Turn ignition switch OFF.
5. Reinstall fuel pump fuse after servicing fuel system.



FUEL PRESSURE CHECK

CAUTION:

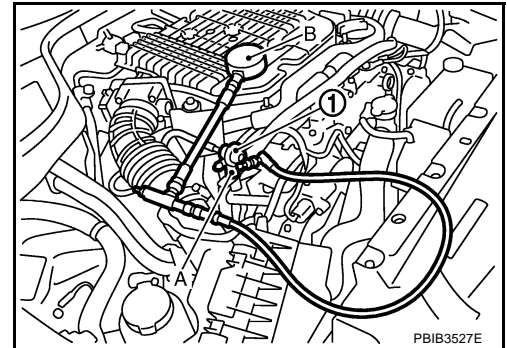
Before disconnecting fuel line, release fuel pressure from fuel line to eliminate danger.

NOTE:

Prepare pans or saucers under the disconnected fuel line because the fuel may spill out. The fuel pressure cannot be completely released because Z33 models do not have fuel return system.

Use Fuel Pressure Gauge Kit (J-44321) to check fuel pressure.

1. Release fuel pressure to zero. Refer to [EC-79, "FUEL PRESSURE RELEASE"](#).
2. Install the inline fuel quick disconnected fitting (A) between fuel damper (1) and fuel injector tube.
3. Connect the fuel pressure gauge (quick connector adapter hose) (B) to the inline fuel quick disconnected fitting.
4. Turn ignition switch ON and check for fuel leakage.
5. Start engine and check for fuel leakage.
6. Read the indication of fuel pressure gauge.



At idling: Approximately 350 kPa (3.57 kg/cm², 51 psi)

7. If result is unsatisfactory, go to next step.
8. Check fuel hoses and fuel tubes for clogging.
If OK, replace "fuel filter and fuel pump assembly".
If NG, repair or replace.

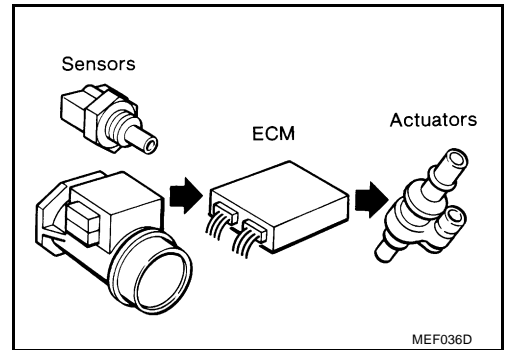
TROUBLE DIAGNOSIS

PFP:00004

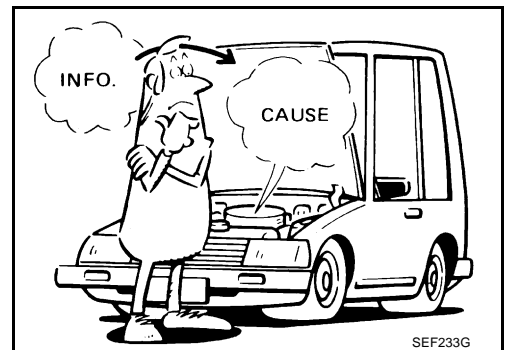
Trouble Diagnosis Introduction INTRODUCTION

NBS0003D

The engine has an ECM to control major systems such as fuel control, ignition control, idle air control system, etc. The ECM accepts input signals from sensors and instantly drives actuators. It is essential that both input and output signals are proper and stable. At the same time, it is important that there are no malfunctions such as vacuum leaks, fouled spark plugs, or other malfunctions with the engine.



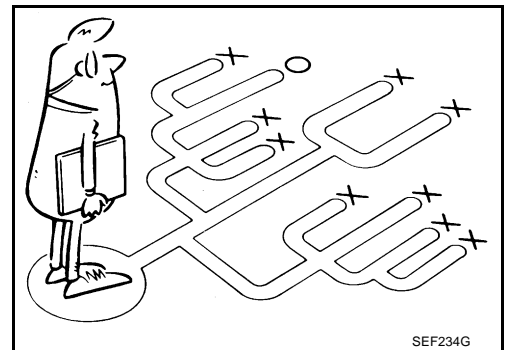
It is much more difficult to diagnose an incident that occurs intermittently rather than continuously. Most intermittent incidents are caused by poor electric connections or improper wiring. In this case, careful checking of suspected circuits may help prevent the replacement of good parts.



A visual check only may not find the cause of the incidents. A road test with CONSULT-III (or GST) or a circuit tester connected should be performed. Follow the WORK FLOW on [EC-82](#).

Before undertaking actual checks, take a few minutes to talk with a customer who approaches with a driveability complaint. The customer can supply good information about such incidents, especially intermittent ones. Find out what symptoms are present and under what conditions they occur. A DIAGNOSTIC WORKSHEET like the example on [EC-86](#) should be used.

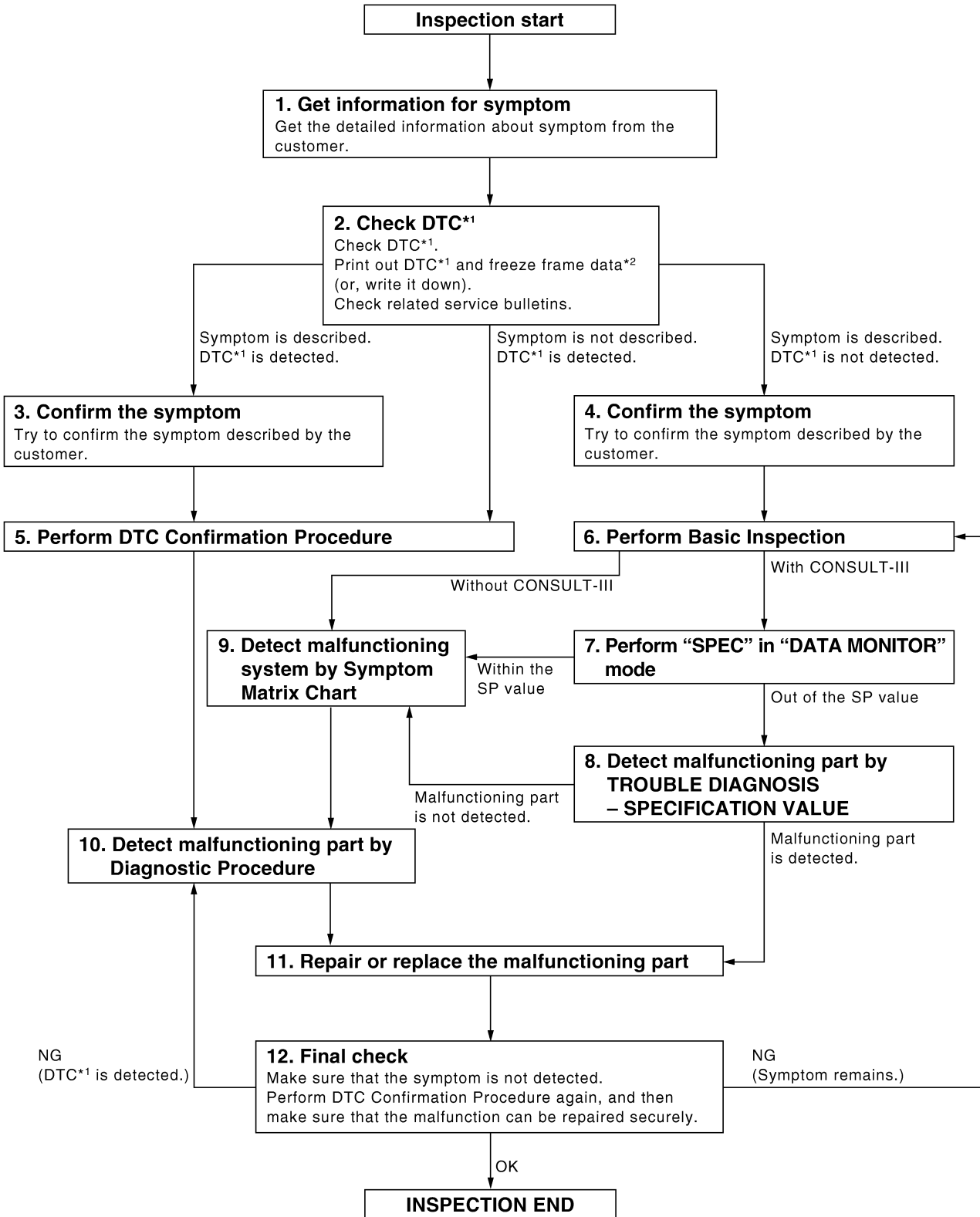
Start your diagnosis by looking for conventional malfunctions first. This will help troubleshoot driveability malfunctions on an electronically controlled engine vehicle.



A
EC
C
D
E
F
G
H
I
J
K
L
M

TROUBLE DIAGNOSIS

WORK FLOW Overall Sequence



*1: Include 1st trip DTC.
*2: Include 1st trip freeze frame data.

TROUBLE DIAGNOSIS

Detailed Flow

1. GET INFORMATION FOR SYMPTOM

Get the detailed information from the customer about the symptom (the condition and the environment when the incident/malfunction occurred) using the [EC-85, "DIAGNOSTIC WORKSHEET"](#) .

>> GO TO 2.

2. CHECK DTC*¹

1. Check DTC*¹ .
2. Perform the following procedure if DTC*¹ is displayed.
 - Record DTC*¹ and freeze frame data*² . (Print them out with CONSULT-III or GST.)
 - Erase DTC*¹ . (Refer to [EC-61, "HOW TO ERASE EMISSION-RELATED DIAGNOSTIC INFORMATION"](#) .)
 - Study the relationship between the cause detected by DTC*¹ and the symptom described by the customer. (Symptom Matrix Chart is useful. Refer to [EC-90, "Symptom Matrix Chart"](#) .)
3. Check related service bulletins for information.

Is any symptom described and any DTC detected?

Symptom is described, DTC*¹ is displayed>>GO TO 3.

Symptom is described, DTC*¹ is not displayed>>GO TO 4.

Symptom is not described, DTC*¹ is displayed>>GO TO 5.

3. CONFIRM THE SYMPTOM

Try to confirm the symptom described by the customer (except MIL ON).

DIAGNOSIS WORK SHEET is useful to verify the incident.

Connect CONSULT-III to the vehicle and check diagnosis results.

Verify relation between the symptom and the condition when the symptom is detected.

>> GO TO 5.

4. CONFIRM THE SYMPTOM

Try to confirm the symptom described by the customer.

DIAGNOSIS WORK SHEET is useful to verify the incident.

Connect CONSULT-III to the vehicle and check diagnosis results.

Verify relation between the symptom and the condition when the symptom is detected.

>> GO TO 6.

TROUBLE DIAGNOSIS

5. PERFORM DTC CONFIRMATION PROCEDURE

Perform DTC Confirmation Procedure for the displayed DTC*¹, and then make sure that DTC*¹ is detected again.

If two or more DTCs*¹ are detected, refer to [EC-87, "DTC Inspection Priority Chart"](#) and determine trouble diagnosis order.

NOTE:

- Freeze frame data*² is useful if the DTC*¹ is not detected.
- Perform Overall Function Check if DTC Confirmation Procedure is not included on Service Manual. This simplified check procedure is an effective alternative though DTC*¹ cannot be detected during this check. If the result of Overall Function Check is NG, it is the same as the detection of DTC*¹ by DTC Confirmation Procedure.

Is DTC*¹ detected?

Yes >> GO TO 10.

No >> Check according to [EC-141, "TROUBLE DIAGNOSIS FOR INTERMITTENT INCIDENT"](#).

6. PERFORM BASIC INSPECTION

Perform [EC-71, "Basic Inspection"](#).

With CONSULT-III>>GO TO 7.

Without CONSULT-III>>GO TO 9.

7. PERFORM SPEC IN DATA MONITOR MODE

☑ With CONSULT-III

Make sure that "MAS A/F SE-B1", "MAS A/F SE-B2", "B/FUEL SCHDL", and "A/F ALPHA-B1", "A/F ALPHA-B2" are within the SP value using CONSULT-III "SPEC" in "DATA MONITOR" mode.

Refer to [EC-133, "Diagnostic Procedure"](#).

Are they within the SP value?

Yes >> GO TO 9.

No >> GO TO 8.

8. DETECT MALFUNCTIONING PART BY TROUBLE DIAGNOSIS - SPECIFICATION VALUE

Detect malfunctioning part according to [EC-132, "TROUBLE DIAGNOSIS - SPECIFICATION VALUE"](#).

Is malfunctioning part detected?

Yes >> GO TO 11.

No >> GO TO 9.

9. DETECT MALFUNCTIONING SYSTEM BY SYMPTOM MATRIX CHART

Detect malfunctioning system according to [EC-90, "Symptom Matrix Chart"](#) based on the confirmed symptom in step 4, and determine the trouble diagnosis order based on possible causes and symptom.

>> GO TO 10.

TROUBLE DIAGNOSIS

10. DETECT MALFUNCTIONING PART BY DIAGNOSTIC PROCEDURE

Inspect according to Diagnostic Procedure of the system.

NOTE:

The Diagnostic Procedure in EC section described based on open circuit inspection. A short circuit inspection is also required for the circuit check in the Diagnostic Procedure. For details, refer to Circuit Inspection in [GL-27, "How to Perform Efficient Diagnosis for an Electrical Incident"](#) .

Is malfunctioning part detected?

Yes >> GO TO 11.

No >> Monitor input data from related sensors or check voltage of related ECM terminals using CONSULT-III. Refer to [EC-127, "CONSULT-III Reference Value in Data Monitor"](#) , [EC-103, "ECM Terminals and Reference Value"](#) .

11. REPAIR OR REPLACE THE MALFUNCTIONING PART

1. Repair or replace the malfunctioning part.
2. Reconnect parts or connectors disconnected during Diagnostic Procedure again after repair and replacement.
3. Check DTC. If DTC is displayed, erase it, refer to [EC-61, "HOW TO ERASE EMISSION-RELATED DIAGNOSTIC INFORMATION"](#) .

>> GO TO 12.

12. FINAL CHECK

When DTC was detected in step 2, perform DTC Confirmation Procedure or Overall Function Check again, and then make sure that the malfunction have been repaired securely.

When symptom was described from the customer, refer to confirmed symptom in step 3 or 4, and make sure that the symptom is not detected.

OK or NG

NG (DTC*¹ is detected)>>GO TO 10.

NG (Symptom remains)>>GO TO 6.

OK >> 1. Before returning the vehicle to the customer, make sure to erase unnecessary DTC*¹ in ECM and TCM (Transmission Control Module). (Refer to [EC-61, "HOW TO ERASE EMISSION-RELATED DIAGNOSTIC INFORMATION"](#) and [AT-38, "HOW TO ERASE DTC"](#) .)

2. If the completion of SRT is needed, drive vehicle under the specific driving pattern. Refer to [EC-58, "Driving Pattern"](#) .

3. **INSPECTION END**

*1: Include 1st trip DTC.

*2: Include 1st trip freeze frame data.

DIAGNOSTIC WORKSHEET

Description

There are many operating conditions that lead to the malfunction of engine components. A good grasp of such conditions can make troubleshooting faster and more accurate.

In general, each customer feels differently about a incident. It is important to fully understand the symptoms or conditions for a customer complaint.

Utilize a diagnostic worksheet like the one on the next page in order to organize all the information for troubleshooting.

Some conditions may cause the MIL to come on steady or blink and DTC to be detected. Examples:

- Vehicle ran out of fuel, which caused the engine to misfire.
- Fuel filler cap was left off or incorrectly screwed on, allowing fuel to evaporate into the atmosphere.

KEY POINTS

WHAT Vehicle & engine model
WHEN Date, Frequencies
WHERE..... Road conditions
HOW Operating conditions,
Weather conditions,
Symptoms

SEF907L

TROUBLE DIAGNOSIS

NBS0003E

DTC Inspection Priority Chart

If some DTCs are displayed at the same time, perform inspections one by one based on the following priority chart.

NOTE:

- If DTC U1000 or U1001 is displayed with other DTC, first perform the trouble diagnosis for DTC U1000, U1001. Refer to [EC-151, "DTC U1000, U1001 CAN COMMUNICATION LINE"](#).
- If DTC U1010 is displayed with other DTC, first perform the diagnosis for DTC U1010. Refer to [EC-154, "DTC U1010 CAN COMMUNICATION"](#).

Priority	Detected items (DTC)
1	<ul style="list-style-type: none"> ● U1000 U1001 CAN communication line ● U1010 CAN communication ● P0101 P0102 P0103 P010B P010C P010D Mass air flow sensor ● P0112 P0113 P0127 Intake air temperature sensor ● P0117 P0118 P0125 Engine coolant temperature sensor ● P0122 P0123 P0222 P0223 P0227 P0228 P1225 P1226 P1234 P1235 P1239 P2132 P2133 P2135 Throttle position sensor ● P0128 Thermostat function ● P0181 P0182 P0183 Fuel tank temperature sensor ● P0196 P0197 P0198 Engine oil temperature sensor ● P0327 P0328 P0332 P0333 Knock sensor ● P0335 Crankshaft position sensor (POS) ● P0340 P0345 Camshaft position sensor (PHASE) ● P0460 P0461 P0462 P0463 Fuel level sensor ● P0500 Vehicle speed sensor ● P0605 ECM ● P0643 Sensor power supply ● P0700 TCM ● P0705 P0850 Park/neutral position (PNP) switch ● P1610 - P1615 NATS ● P2122 P2123 P2127 P2128 P2138 Accelerator pedal position sensor

A
EC
C
D
E
F
G
H
I
J
K
L
M

TROUBLE DIAGNOSIS

Priority	Detected items (DTC)
2	<ul style="list-style-type: none"> ● P0031 P0032 P0051 P0052 Air fuel ratio (A/F) sensor 1 heater ● P0037 P0038 P0057 P0058 Heated oxygen sensor 2 heater ● P0075 P0081 Intake valve timing control solenoid valve ● P0078 P0084 Exhaust valve timing control magnet retarder* ● P0130 P0131 P0132 P0133 P0150 P0151 P0152 P0153 P2A00 P2A03 Air fuel ratio (A/F) sensor 1 ● P0137 P0138 P0139 P0158 P0159 Heated oxygen sensor 2 ● P0441 EVAP control system purge flow monitoring ● P0443 P0444 P0445 EVAP canister purge volume control solenoid valve ● P0447 P0448 EVAP canister vent control valve ● P0451 P0452 P0453 EVAP control system pressure sensor ● P0550 Power steering pressure sensor ● P0603 ECM power supply ● P0710 P0717 P0720 P0731 P0732 P0733 P0734 P0735 P0740 P0744 P0745 P1730 P1752 P1757 P1762 P1767 P1772 P1774 A/T related sensors, solenoid valves and switches ● P1078 P1084 Exhaust valve timing control position sensor ● P1217 Engine over temperature (OVERHEAT) ● P1233 P2101 Electric throttle control function ● P1236 P2118 Throttle control motor ● P1290 P2103 P2103 Throttle control motor relay ● P1805 Brake switch
3	<ul style="list-style-type: none"> ● P0011 P0021 Intake valve timing control ● P0014 P0024 Exhaust valve timing control* ● P0171 P0172 P0174 P0175 Fuel injection system function ● P0300 - P0306 Misfire ● P0420 P0430 Three way catalyst function ● P0442 EVAP control system (SMALL LEAK) ● P0455 EVAP control system (GROSS LEAK) ● P0456 EVAP control system (VERY SMALL LEAK) ● P0506 P0507 Idle speed control system ● P1148 P1168 Closed loop control ● P1211 TCS control unit ● P1212 TCS communication line ● P1238 P2119 Electric throttle control actuator ● P1421 Cold start control ● P1564 ASCD steering switch ● P1572 ASCD brake switch ● P1574 ASCD vehicle speed sensor ● P1715 Turbine revolution sensor

TROUBLE DIAGNOSIS

Fail-safe Chart

NBS0003F

When the DTC listed below is detected, the ECM enters fail-safe mode and the MIL lights up.

DTC No.	Detected items	Engine operating condition in fail-safe mode								
P0102 P0103 P010C P010D	Mass air flow sensor circuit	Engine speed will not rise more than 2,400 rpm due to the fuel cut.								
P0117 P0118	Engine coolant temperature sensor circuit	<p>Engine coolant temperature will be determined by ECM based on the time after turning ignition switch ON or START. CONSULT-III displays the engine coolant temperature decided by ECM.</p> <table border="1" style="width: 100%; border-collapse: collapse;"> <thead> <tr> <th style="width: 50%;">Condition</th> <th style="width: 50%;">Engine coolant temperature decided (CONSULT-III display)</th> </tr> </thead> <tbody> <tr> <td>Just as ignition switch is turned ON or START</td> <td style="text-align: center;">40°C (104°F)</td> </tr> <tr> <td>More than approx. 4 minutes after ignition ON or START</td> <td style="text-align: center;">80°C (176°F)</td> </tr> <tr> <td>Except as shown above</td> <td style="text-align: center;">40 - 80°C (104 - 176°F) (Depends on the time)</td> </tr> </tbody> </table> <p>When the fail-safe system for engine coolant temperature sensor is activated, the cooling fan operates while engine is running.</p>	Condition	Engine coolant temperature decided (CONSULT-III display)	Just as ignition switch is turned ON or START	40°C (104°F)	More than approx. 4 minutes after ignition ON or START	80°C (176°F)	Except as shown above	40 - 80°C (104 - 176°F) (Depends on the time)
Condition	Engine coolant temperature decided (CONSULT-III display)									
Just as ignition switch is turned ON or START	40°C (104°F)									
More than approx. 4 minutes after ignition ON or START	80°C (176°F)									
Except as shown above	40 - 80°C (104 - 176°F) (Depends on the time)									
P0122 P0123 P0222 P0223 P0227 P0228 P1239 P2132 P2133 P2135	Throttle position sensor	<p>The ECM controls the electric throttle control actuator in regulating the throttle opening in order for the idle position to be within +10 degrees. The ECM regulates the opening speed of the throttle valve to be slower than the normal condition. So, the acceleration will be poor.</p>								
P0643	Sensor power supply	ECM stops the electric throttle control actuator control, throttle valve is maintained at a fixed opening (approx. 5 degrees) by the return spring.								
P1233 P2101	Electric throttle control function	ECM stops the electric throttle control actuator control, throttle valve is maintained at a fixed opening (approx. 5 degrees) by the return spring.								
P1236 P2118	Throttle control motor	ECM stops the electric throttle control actuator control, throttle valve is maintained at a fixed opening (approx. 5 degrees) by the return spring.								
P1238 P2119	Electric throttle control actuator	<p>(When electric throttle control actuator does not function properly due to the return spring malfunction:) ECM controls the electric throttle actuator by regulating the throttle opening around the idle position. The engine speed will not rise more than 2,000 rpm.</p> <p>(When throttle valve opening angle in fail-safe mode is not in specified range:) ECM controls the electric throttle control actuator by regulating the throttle opening to 20 degrees or less.</p> <p>(When ECM detects the throttle valve is stuck open:) While the vehicle is driving, it slows down gradually by fuel cut. After the vehicle stops, the engine stalls. The engine can restart in N or P (A/T), Neutral (M/T) position, and engine speed will not exceed 1,000 rpm or more.</p>								
P1290 P2100 P2103	Throttle control motor relay	ECM stops the electric throttle control actuator control, throttle valve is maintained at a fixed opening (approx. 5 degrees) by the return spring.								
P2122 P2123 P2127 P2128 P2138	Accelerator pedal position sensor	<p>The ECM controls the electric throttle control actuator in regulating the throttle opening in order for the idle position to be within +10 degrees. The ECM regulates the opening speed of the throttle valve to be slower than the normal condition. So, the acceleration will be poor.</p>								

TROUBLE DIAGNOSIS

- When there is an open circuit on MIL circuit, the ECM cannot warn the driver by lighting up MIL when there is malfunction on engine control system.
Therefore, when electrical controlled throttle and part of ECM related diagnoses are continuously detected as NG for 5 trips, ECM warns the driver that engine control system malfunctions and MIL circuit is open by means of operating fail-safe function.
The fail-safe function also operates when above diagnoses except MIL circuit are detected and demands the driver to repair the malfunction.

Engine operating condition in fail-safe mode

Engine speed will not rise more than 2,500 rpm due to the fuel cut

Symptom Matrix Chart SYSTEM — BASIC ENGINE CONTROL SYSTEM

NBS0003G

		SYMPTOM												Reference page	
		HARD/NO START/RESTART (EXCP. HA)	ENGINE STALL	HESITATION/SURGING/FLAT SPOT	SPARK KNOCK/DETONATION	LACK OF POWER/POOR ACCELERATION	HIGH IDLE/LOW IDLE	ROUGH IDLE/HUNTING	IDLING VIBRATION	SLOW/NO RETURN TO IDLE	OVERHEATS/WATER TEMPERATURE HIGH	EXCESSIVE FUEL CONSUMPTION	EXCESSIVE OIL CONSUMPTION		BATTERY DEAD (UNDER CHARGE)
Warranty symptom code		AA	AB	AC	AD	AE	AF	AG	AH	AJ	AK	AL	AM	HA	
Fuel	Fuel pump circuit	1	1	2	3	2		2	2			3		2	EC-691
	Fuel pressure regulator system	3	3	4	4	4	4	4	4	4		4			EC-80
	Fuel injector circuit	1	1	2	3	2		2	2			2			EC-686
	Evaporative emission system	3	3	4	4	4	4	4	4	4		4			EC-33
Air	Positive crankcase ventilation system	3	3	4	4	4	4	4	4	4		4	1		EC-44
	Incorrect idle speed adjustment						1	1	1	1		1			EC-71
	Electric throttle control actuator	1	1	2	3	3	2	2	2	2		2		2	EC-561 , EC-580
Ignition	Incorrect ignition timing adjustment	3	3	1	1	1		1	1			1			EC-71
	Ignition circuit	1	1	2	2	2		2	2			2			EC-698
Power supply and ground circuit		2	2	3	3	3		3	3		2	3			EC-142

TROUBLE DIAGNOSIS

	SYMPTOM													Reference page
	HARD/NO START/RESTART (EXCP. HA)	ENGINE STALL	HESITATION/SURGING/FLAT SPOT	SPARK KNOCK/DETONATION	LACK OF POWER/POOR ACCELERATION	HIGH IDLE/LOW IDLE	ROUGH IDLE/HUNTING	IDLING VIBRATION	SLOW/NO RETURN TO IDLE	OVERHEATS/WATER TEMPERATURE HIGH	EXCESSIVE FUEL CONSUMPTION	EXCESSIVE OIL CONSUMPTION	BATTERY DEAD (UNDER CHARGE)	
Warranty symptom code	AA	AB	AC	AD	AE	AF	AG	AH	AJ	AK	AL	AM	HA	
Mass air flow sensor circuit	1			2										EC-197 , EC-208
Engine coolant temperature sensor circuit							3			3				
Air fuel ratio (A/F) sensor 1 circuit		1	2	3	2		2	2			2			EC-165 , EC-248 , EC-257 , EC-266 , EC-275 , EC-659
Throttle position sensor circuit						2			2					EC-229 , EC-361 , EC-557 , EC-559 , EC-582
Accelerator pedal position sensor circuit			3	2	1									EC-514 , EC-633 , EC-641 , EC-650
Knock sensor circuit			2								3			EC-379
Crankshaft position sensor (POS) circuit	2	2												EC-386
Camshaft position sensor (PHASE) circuit	3	2												EC-394
Vehicle speed signal circuit		2	3		3						3			EC-496
Power steering pressure sensor circuit		2					3	3						EC-502
ECM	2	2	3	3	3	3	3	3	3	3	3			EC-508 , EC-512
Intake valve timing control solenoid valve circuit		3	2		1	3	2	2	3		3			EC-183
Exhaust valve timing control magnet retarder circuit		3	2		1	3	2	2	3		3			EC-160
Park/neutral position (PNP) switch circuit			3		3		3	3			3			EC-520
Refrigerant pressure sensor circuit		2				3			3		4			EC-710
Electrical load signal circuit							3							EC-684
Air conditioner circuit	2	2	3	3	3	3	3	3	3		3		2	ATC-33
VDC/TCS/ABS control unit ABS actuator and electric unit (control unit)			4											BRC-82 , BRC-42

1 - 6: The numbers refer to the order of inspection.
(continued on next page)

A
EC
C
D
E
F
G
H
I
J
K
L
M

TROUBLE DIAGNOSIS

SYSTEM — ENGINE MECHANICAL & OTHER

		SYMPTOM												Reference page	
		HARD/NO START/RESTART (EXCP. HA)	ENGINE STALL	HESITATION/SURGING/FLAT SPOT	SPARK KNOCK/DETONATION	LACK OF POWER/POOR ACCELERATION	HIGH IDLE/LOW IDLE	ROUGH IDLE/HUNTING	IDLING VIBRATION	SLOW/NO RETURN TO IDLE	OVERHEATS/WATER TEMPERATURE HIGH	EXCESSIVE FUEL CONSUMPTION	EXCESSIVE OIL CONSUMPTION		BATTERY DEAD (UNDER CHARGE)
Warranty symptom code		AA	AB	AC	AD	AE	AF	AG	AH	AJ	AK	AL	AM	HA	
Fuel	Fuel tank	5													FL-10
	Fuel piping			5	5	5		5	5			5			EM-34
	Vapor lock		5												—
	Valve deposit														—
	Poor fuel (Heavy weight gasoline, Low octane)	5		5	5	5		5	5			5			—
Air	Air duct														EM-15
	Air cleaner														EM-15
	Air leakage from air duct (Mass air flow sensor — electric throttle control actuator)		5	5		5		5	5			5			EM-15
	Electric throttle control actuator	5			5		5			5					EM-17
	Air leakage from intake manifold/Collector/Gasket														EM-17 , EM-20
Cranking	Battery														SC-4
	Generator circuit	1	1	1		1		1	1					1	SC-20
	Starter circuit	3										1			SC-8
	Signal plate	6													EM-107
	Park/neutral position (PNP) switch	4													MT-11 or AT-102
Engine	Cylinder head	5	5	5	5	5		5	5			5			EM-89
	Cylinder head gasket										4		3		
	Cylinder block													4	
	Piston														
	Piston ring														
	Connecting rod	6	6	6	6	6		6	6			6			EM-107
	Bearing														
	Crankshaft														

TROUBLE DIAGNOSIS

		SYMPTOM												Reference page	
		HARD/NO START/RESTART (EXCP. HA)	ENGINE STALL	HESITATION/SURGING/FLAT SPOT	SPARK KNOCK/DETONATION	LACK OF POWER/POOR ACCELERATION	HIGH IDLE/LOW IDLE	ROUGH IDLE/HUNTING	IDLING VIBRATION	SLOW/NO RETURN TO IDLE	OVERHEATS/WATER TEMPERATURE HIGH	EXCESSIVE FUEL CONSUMPTION	EXCESSIVE OIL CONSUMPTION		BATTERY DEAD (UNDER CHARGE)
Warranty symptom code		AA	AB	AC	AD	AE	AF	AG	AH	AJ	AK	AL	AM	HA	
Valve mechanism	Timing chain														EM-53
	Camshaft														EM-72
	Intake valve timing control	5	5	5	5	5		5	5			5			EM-53
	Exhaust valve timing control														EM-53
	Intake valve												3		EM-89
	Exhaust valve														
Exhaust	Exhaust manifold/Tube/Muffler/Gasket	5	5	5	5	5		5	5			5			EM-22, EX-3
	Three way catalyst														
Lubrication	Oil pan/Oil strainer/Oil pump/Oil filter/Oil gallery	5	5	5	5	5		5	5			5			EM-26, LU-10, LU-9
	Oil level (Low)/Filthy oil														LU-6
Cooling	Radiator/Hose/Radiator filler cap														CO-13, CO-17
	Thermostat									5					CO-26
	Water pump	5	5	5	5	5		5	5		4	5		CO-23	
	Water gallery														CO-28
	Cooling fan									5					CO-21
	Coolant level (Low)/Contaminated coolant														CO-10
NVIS (NISSAN Vehicle Immobilizer System — NATS)		1	1												EC-46 or BL-150

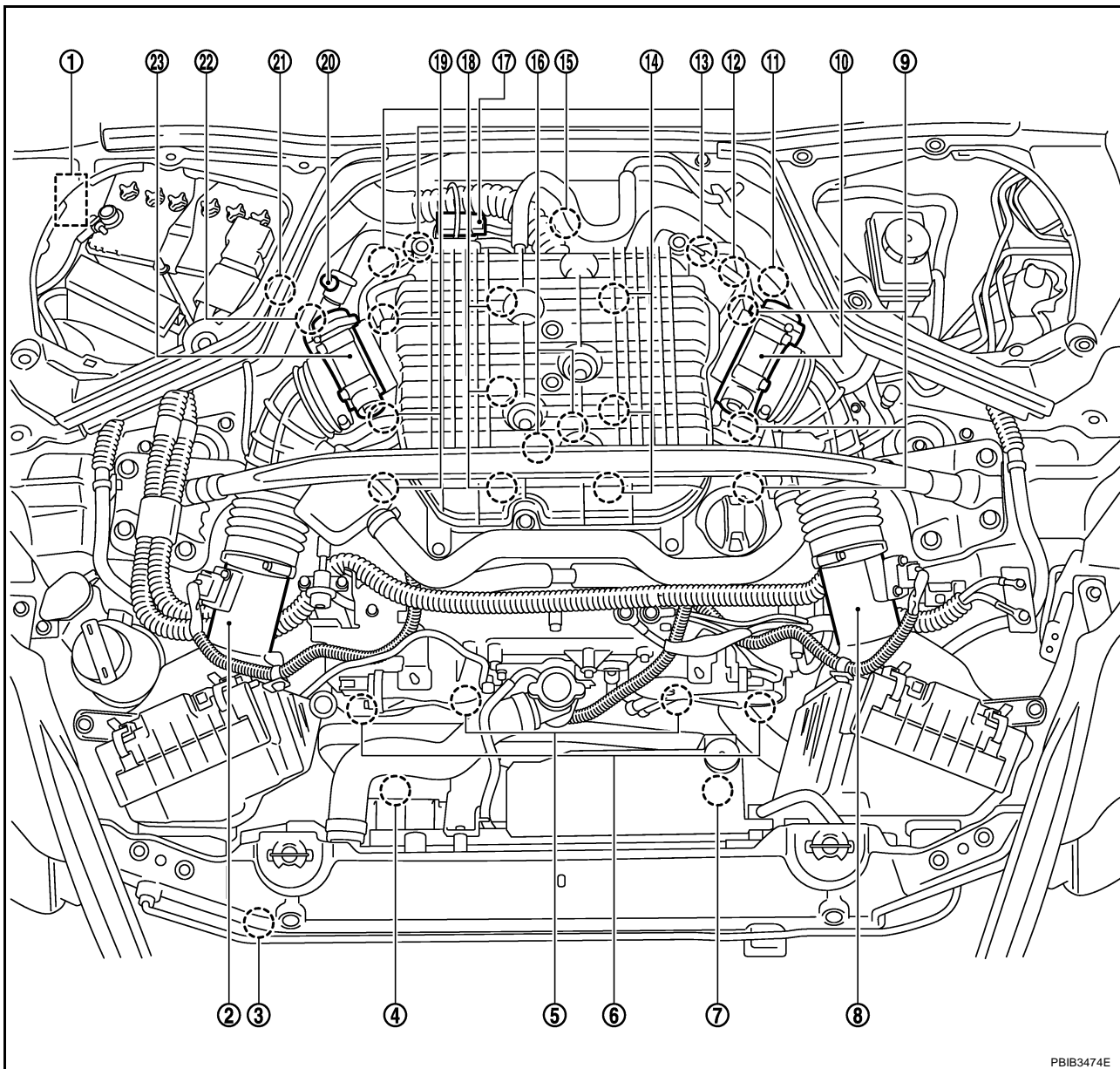
1 - 6: The numbers refer to the order of inspection.

A
EC
C
D
E
F
G
H
I
J
K
L
M

TROUBLE DIAGNOSIS

Engine Control Component Parts Location

NBS00031



PBIB3474E

- | | | |
|---|---|--|
| 1. IPDM E/R | 2. Mass air flow sensor (with intake air temperature sensor) (bank 1) | 3. Refrigerant pressure sensor |
| 4. Cooling fan motor-2 | 5. Intake valve timing control solenoid valve | 6. Exhaust valve timing control magnet retarder |
| 7. Cooling fan motor-1 | 8. Mass air flow sensor (with intake air temperature sensor) (bank 2) | 9. Ignition coil (with power transistor) and spark plug (bank 2) |
| 10. Electric throttle control actuator (bank 2) | 11. A/F sensor 1 (bank 2) | 12. Exhaust valve timing control position sensor |
| 13. Camshaft position sensor (PHASE) | 14. Fuel injector (bank 2) | 15. Engine coolant temperature sensor |
| 16. Knock sensor | 17. EVAP canister purge volume control solenoid valve | 18. Fuel injector (bank 1) |
| 19. Ignition coil (with power transistor) and spark plug (bank 1) | 20. EVAP service port | 21. A/F sensor 1 (bank 1) |
| 22. Crankshaft position sensor (POS) | 23. Electric throttle control actuator (bank 1) | |

TROUBLE DIAGNOSIS

A

EC

C

D

E

F

G

H

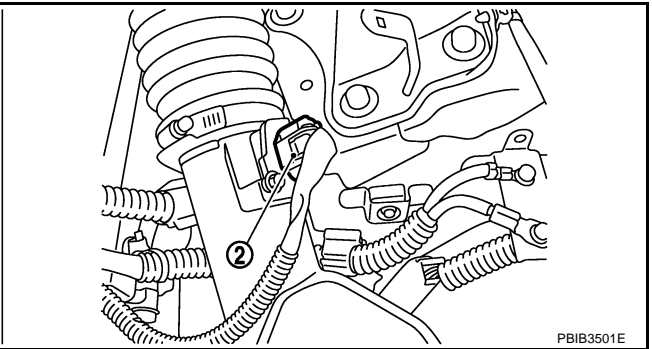
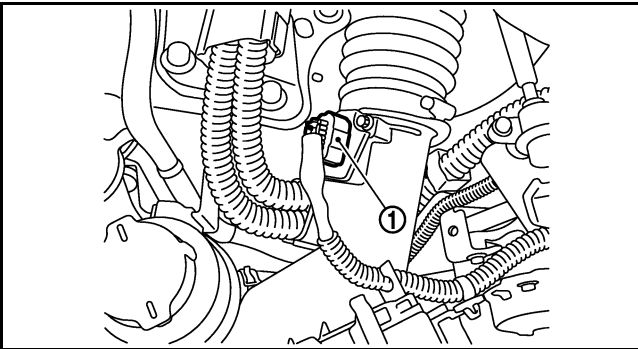
I

J

K

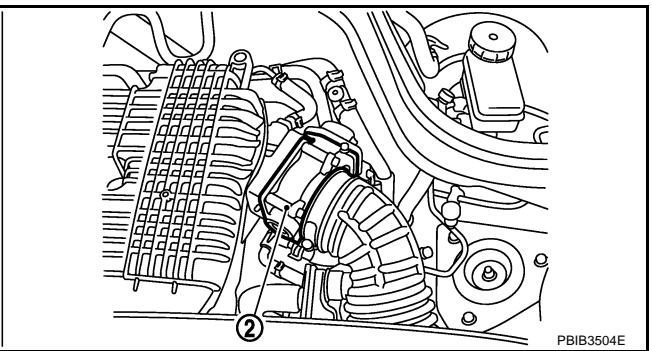
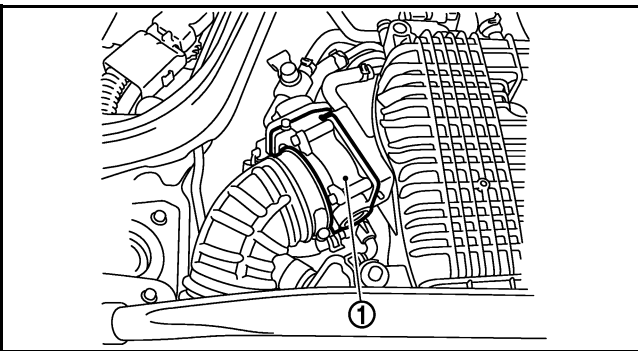
L

M



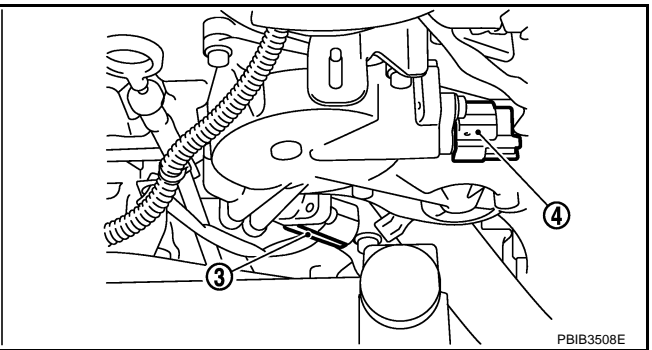
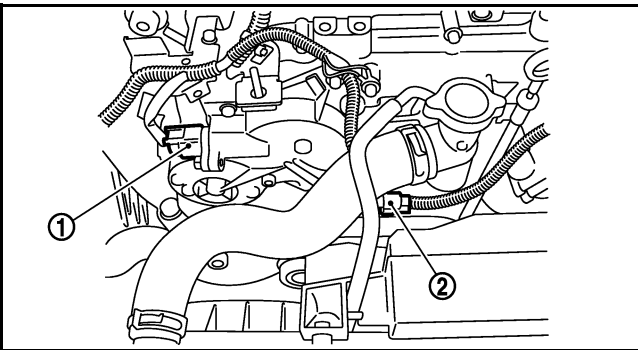
PBIB3501E

1. Mass air flow sensor (with intake air temperature sensor) (bank 1)
2. Mass air flow sensor (with intake air temperature sensor) (bank 2)



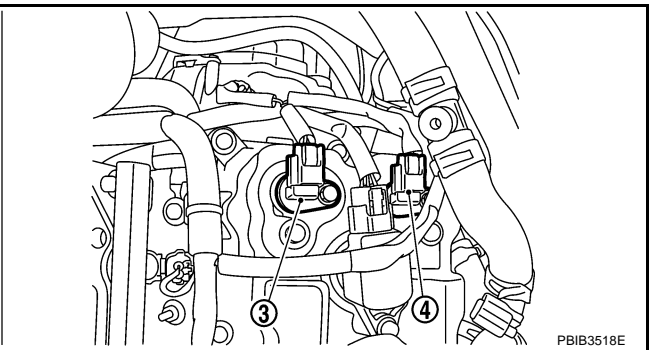
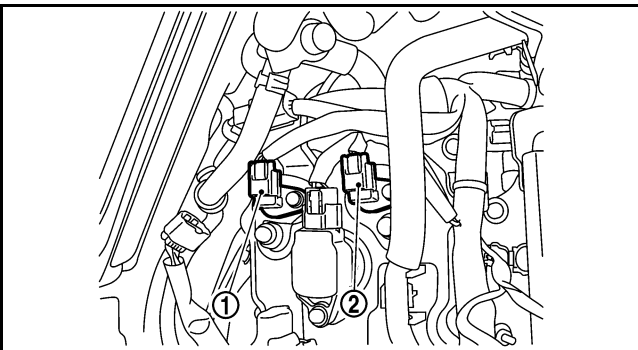
PBIB3504E

1. Electric throttle control actuator (bank 1)
2. Electric throttle control actuator (bank 2)



PBIB3508E

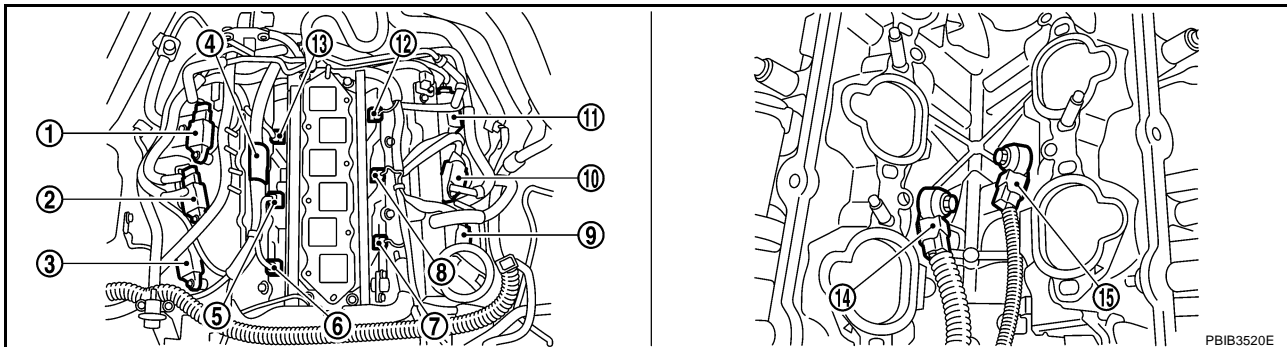
1. Exhaust valve timing control magnet retarder (bank 1) harness connector
2. Intake valve timing control solenoid valve (bank 1) harness connector
3. Intake valve timing control solenoid valve (bank 2) harness connector
4. Exhaust valve timing control magnet retarder (bank 2) harness connector



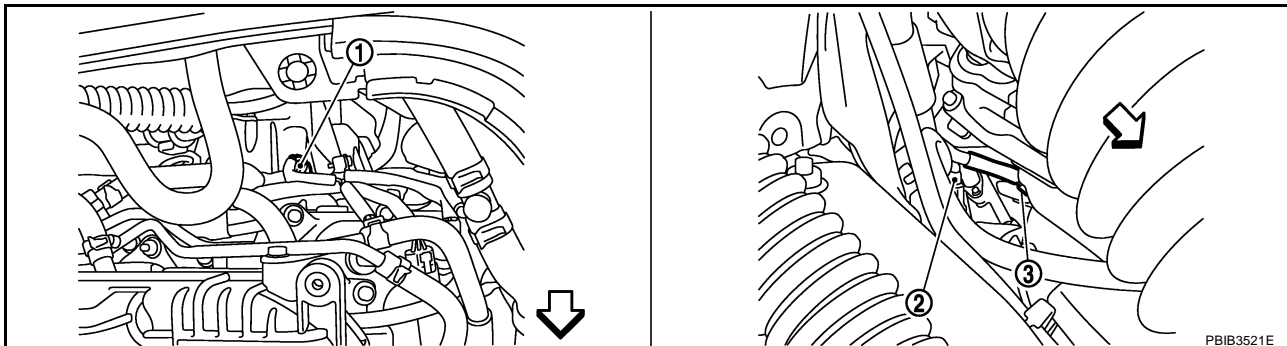
PBIB3518E

1. Exhaust valve timing control position sensor (bank 1)
2. Camshaft position sensor (PHASE) (bank 1)
3. Camshaft position sensor (PHASE) (bank 2)
4. Exhaust valve timing control position sensor (bank 2)

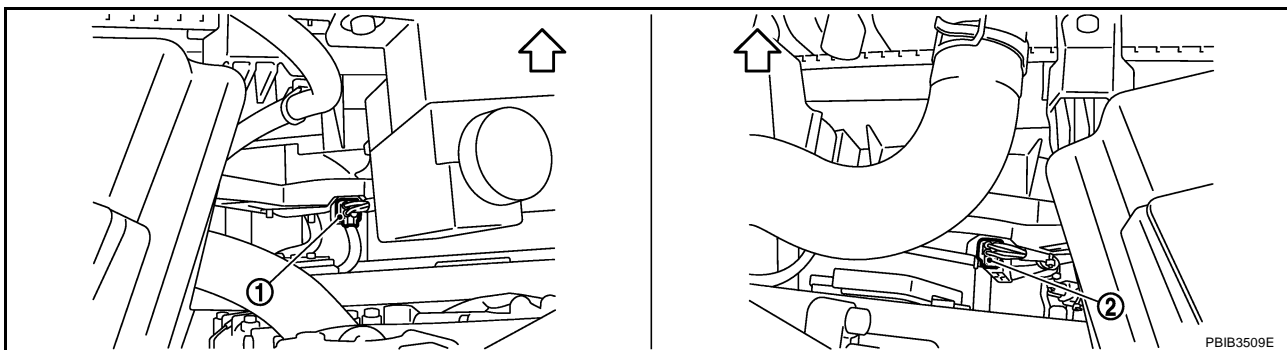
TROUBLE DIAGNOSIS



- | | | |
|--|--|---|
| 1. Ignition coil No.5 (with power transistor) | 2. Ignition coil No.3 (with power transistor) | 3. Ignition coil No.1 (with power transistor) |
| 4. Condenser | 5. Fuel injector No.3 | 6. Fuel injector No.1 |
| 7. Fuel injector No.2 | 8. Fuel injector No.4 | 9. Ignition coil No.2 (with power transistor) |
| 10. Ignition coil No.4 (with power transistor) | 11. Ignition coil No.6 (with power transistor) | 12. Fuel injector No.6 |
| 13. Fuel injector No.5 | 14. Knock sensor (bank 1) | 15. Knock sensor (bank 2) |



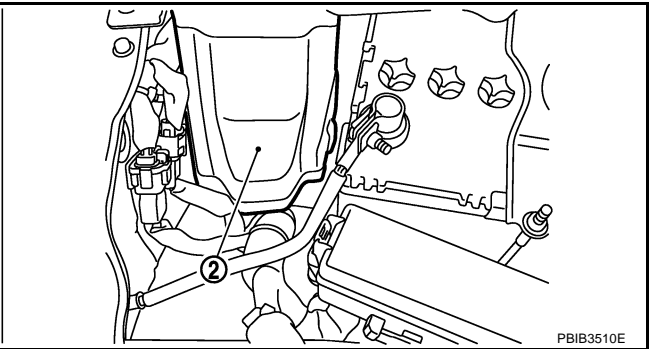
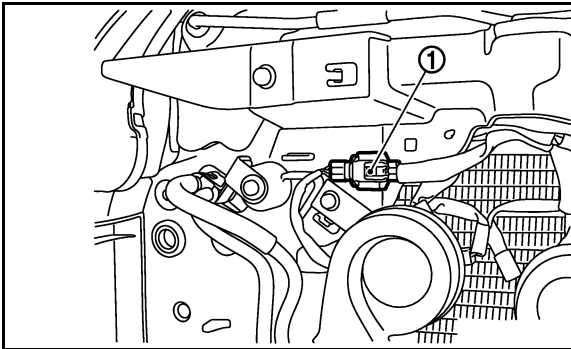
- | | | |
|--------------------------------------|--------------------------|-------------------------------|
| 1. Engine coolant temperature sensor | 2. A/F sensor 1 (bank 1) | 3. Crankshaft position sensor |
|--------------------------------------|--------------------------|-------------------------------|
- ← Vehicle front



- | | |
|------------------------|------------------------|
| 1. Cooling fan motor-1 | 2. Cooling fan motor-2 |
|------------------------|------------------------|
- ← Vehicle front

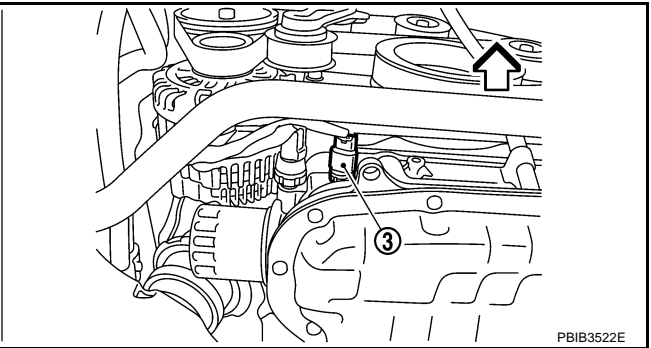
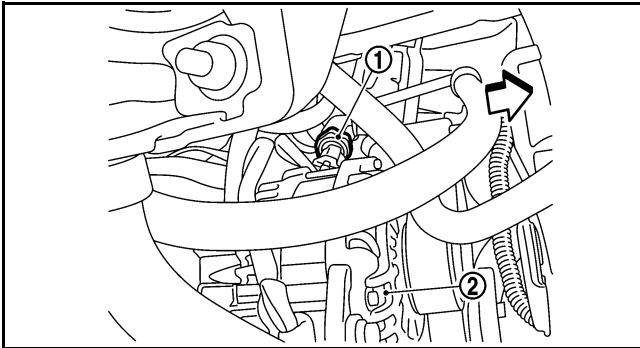
TROUBLE DIAGNOSIS

A
EC
C
D
E
F
G
H
I
J
K
L
M



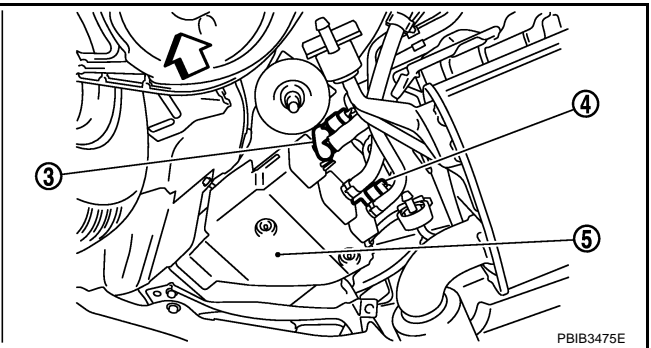
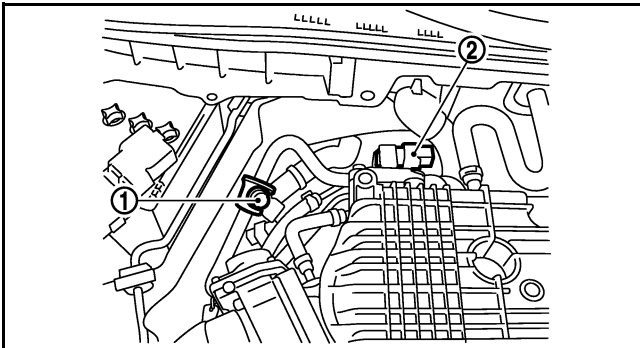
PBIB3510E

1. Refrigerant pressure sensor harness connector
2. IPDM E/R



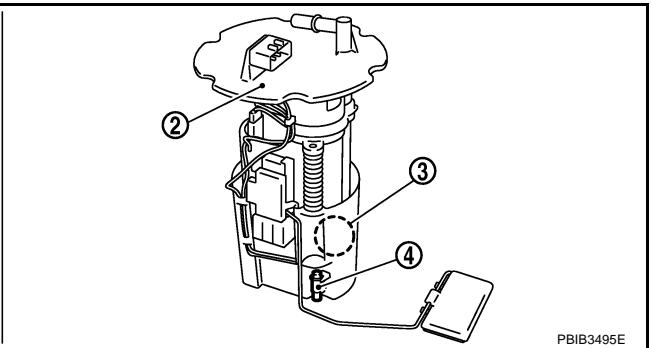
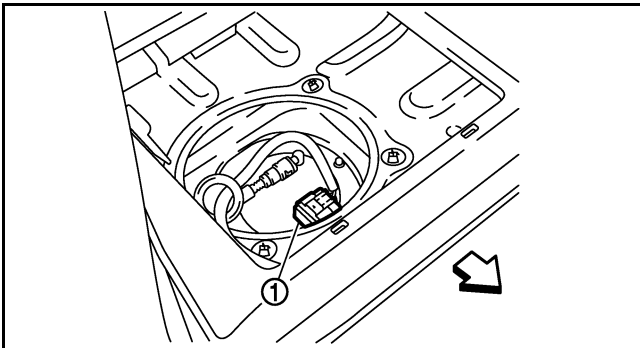
PBIB3522E

1. Power steering pressure sensor
 2. Alternator
 3. Engine oil temperature sensor
- ← Vehicle front



PBIB3475E

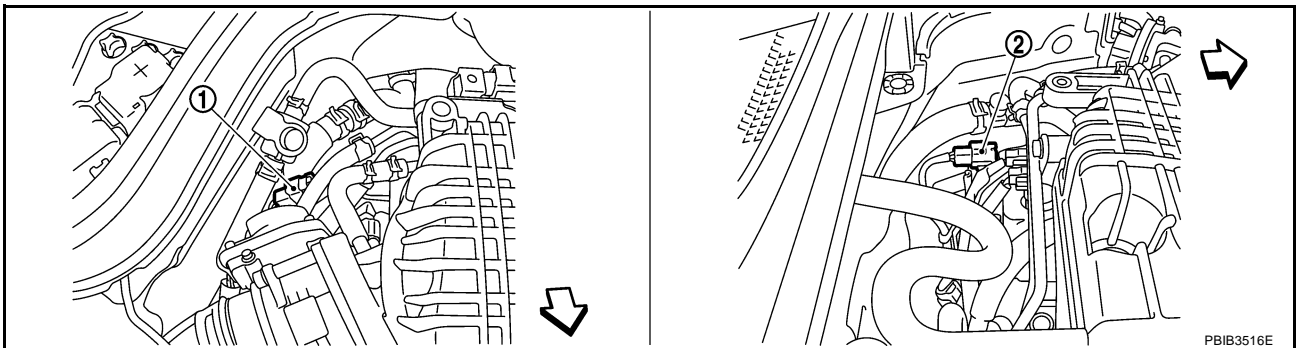
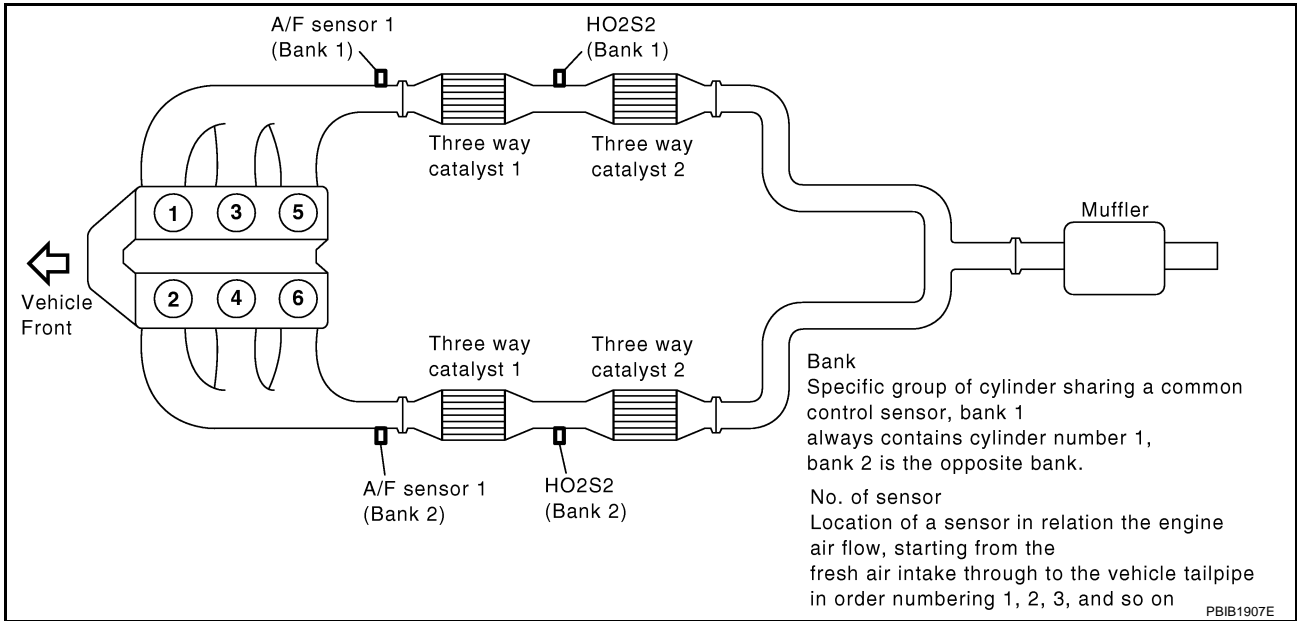
1. EVAP service port
 2. EVAP canister purge volume control solenoid valve
 3. EVAP canister vent control valve
 4. EVAP control system pressure sensor
 5. EVAP canister
- ← Vehicle front



PBIB3495E

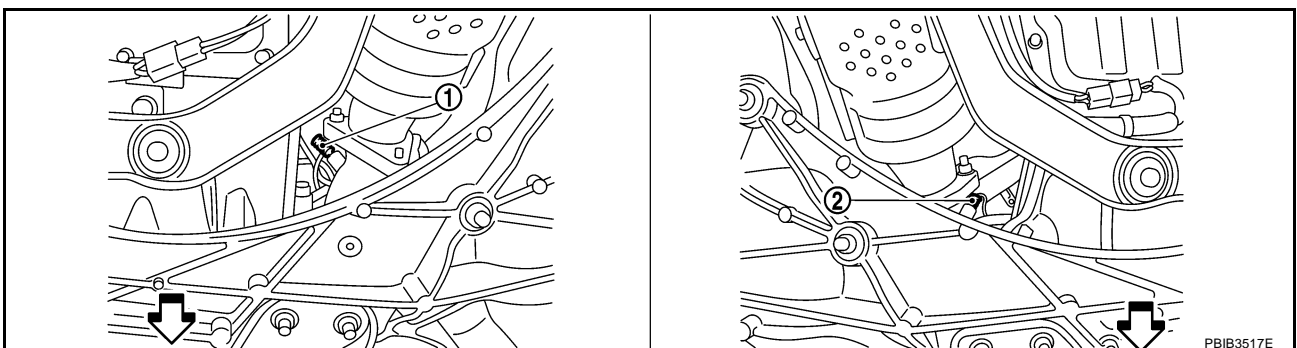
TROUBLE DIAGNOSIS

1. Fuel level sensor unit and fuel pump harness connector
 2. Fuel level sensor unit and fuel pump harness connector
 3. Fuel pressure regulator
 4. Fuel tank temperature sensor
- ← Vehicle front



1. A/F sensor 1 (bank 1) harness connector
2. A/F sensor 1 (bank 2) harness connector

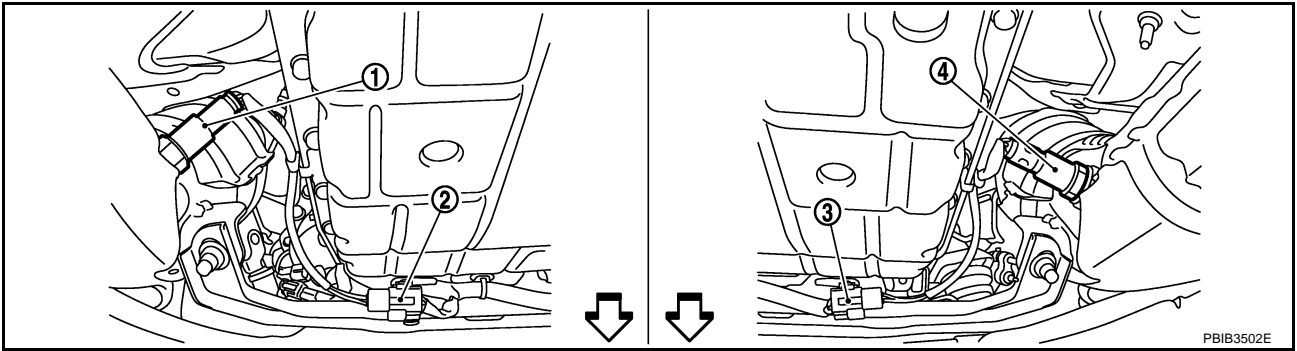
← Vehicle front



1. A/F sensor 1 (bank 1)
2. A/F sensor 1 (bank 2)

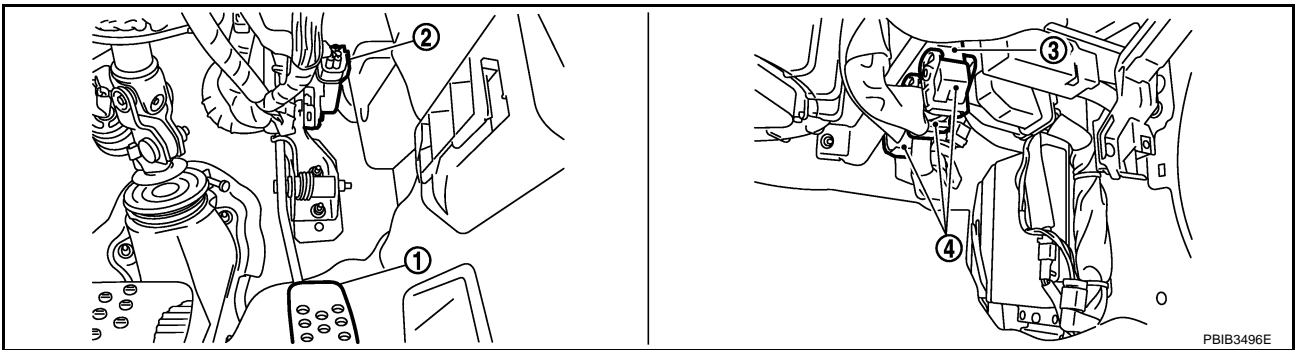
← Vehicle front

TROUBLE DIAGNOSIS

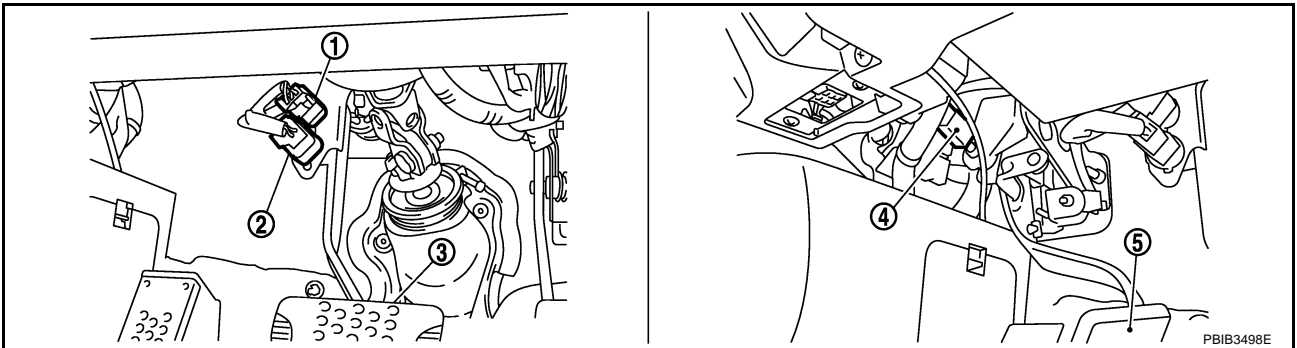


- 1. Heated oxygen sensor 2 (bank 2)
- 2. Heated oxygen sensor 2 (bank 2) harness connector
- 3. Heated oxygen sensor 2 (bank 1)
- 4. Heated oxygen sensor 2 (bank 1) harness connector

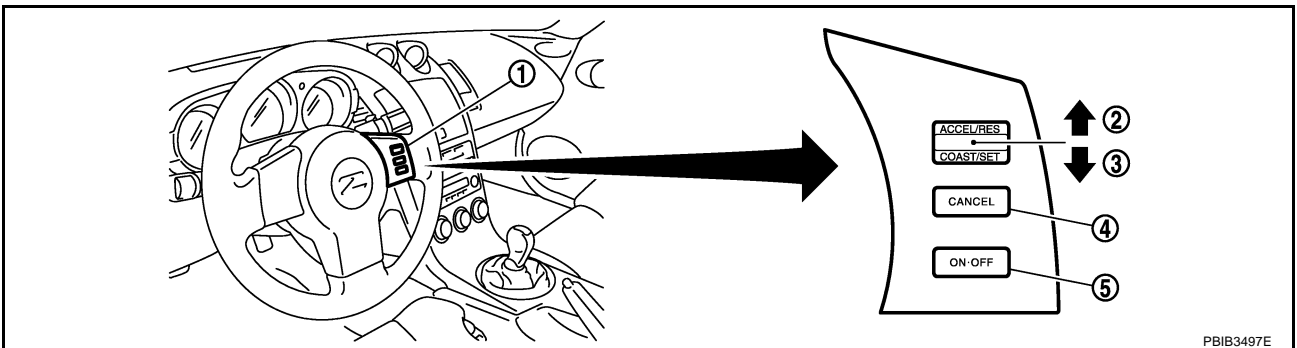
←: Vehicle front



- 1. Accelerator pedal
- 2. Accelerator pedal position sensor
- 3. ECM
- 4. ECM harness connector



- 1. Stop lamp switch
- 2. ASCD brake switch
- 3. Brake pedal
- 4. ASCD clutch switch
- 5. Clutch pedal



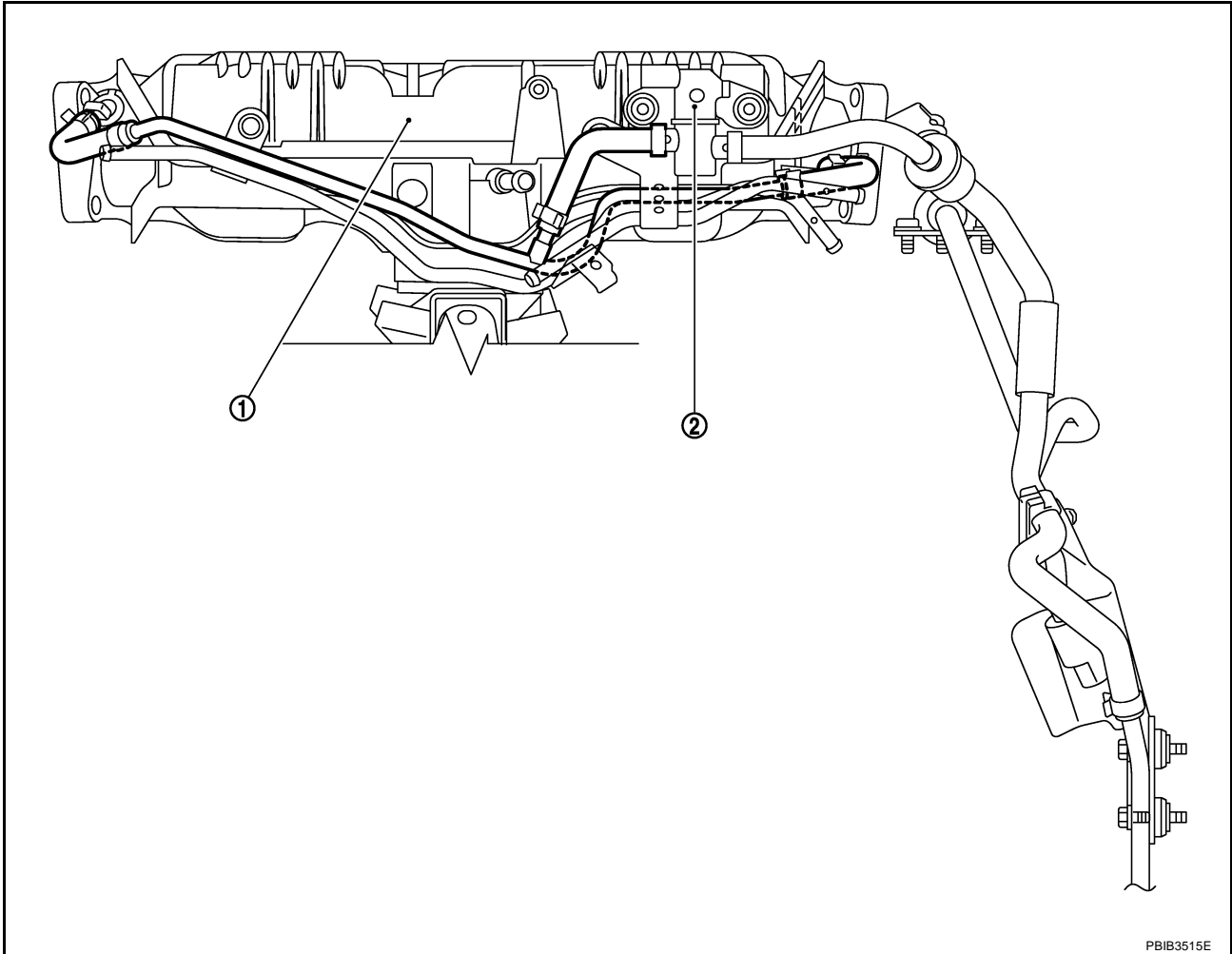
- 1. ASCD steering switch
- 2. RESUME/ACCELERATE switch
- 3. SET/COAST switch
- 4. CANCEL switch
- 5. MAIN switch

A
EC
C
D
E
F
G
H
I
J
K
L
M

TROUBLE DIAGNOSIS

Vacuum Hose Drawing

NBS0003J



PBIB3515E

1. Intake manifold collector

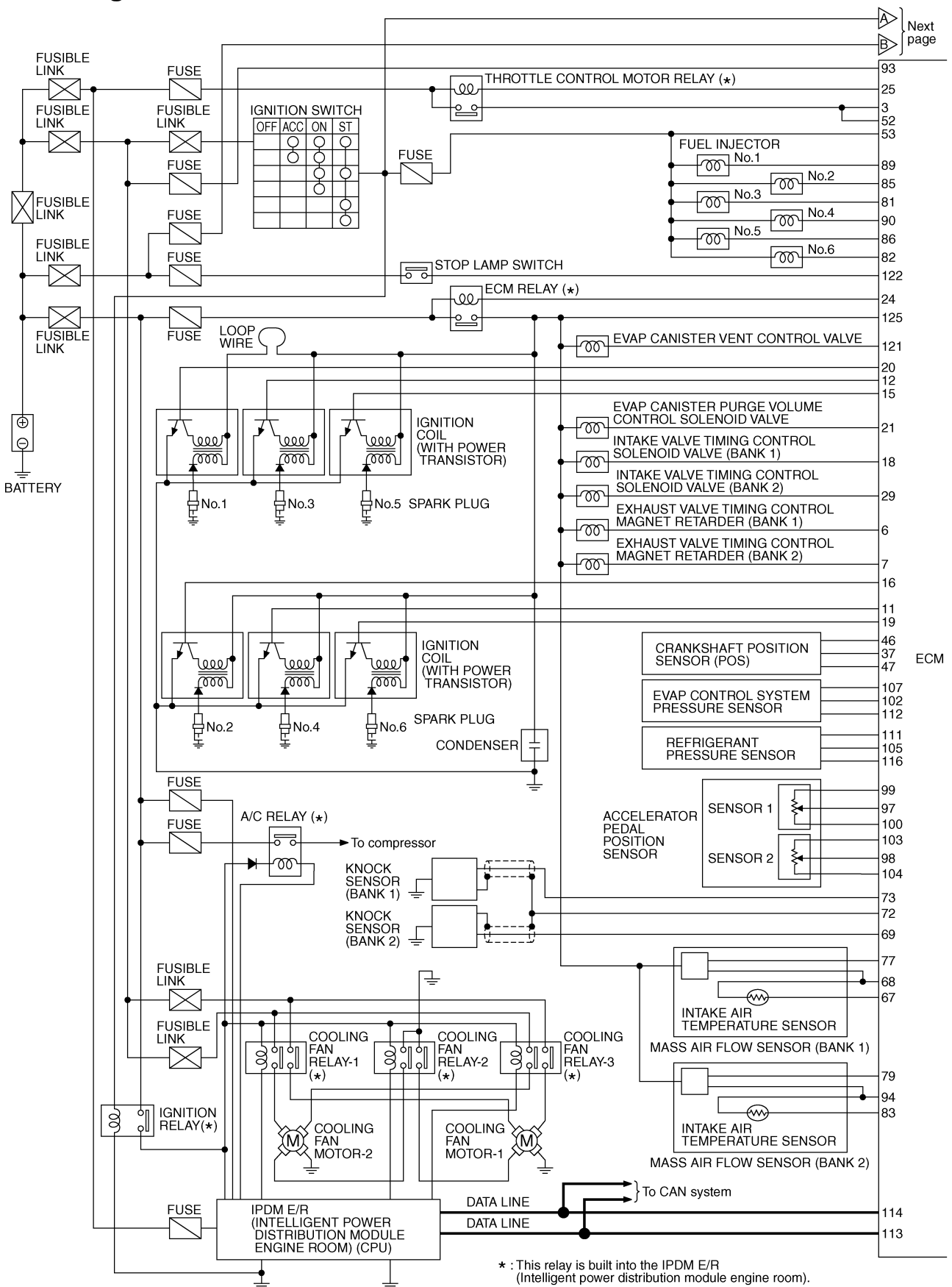
2. EVAP canister purge volume control solenoid valve

Refer to [EC-24, "System Diagram"](#) for Vacuum Control System.

TROUBLE DIAGNOSIS

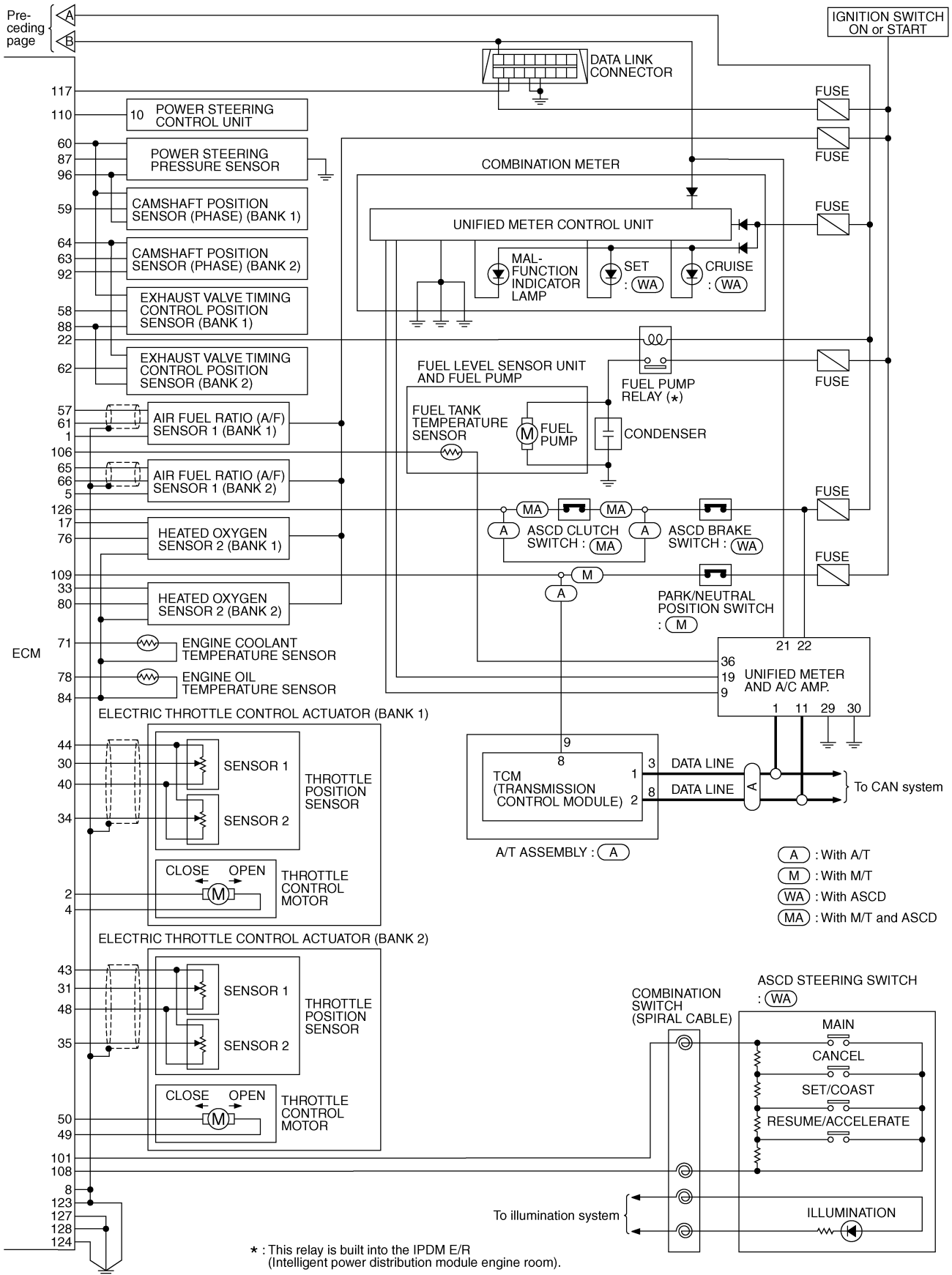
Circuit Diagram

NBS0003K



TBWT1612E

TROUBLE DIAGNOSIS

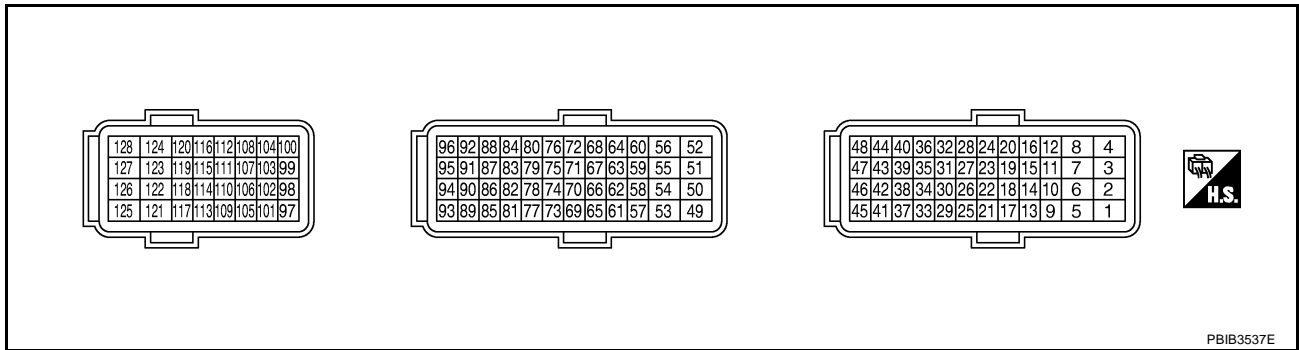


TBWT1613E

TROUBLE DIAGNOSIS

ECM Harness Connector Terminal Layout

NBS0003L



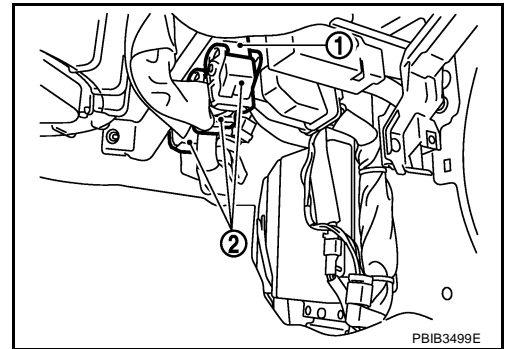
PBIB3537E

ECM Terminals and Reference Value PREPARATION

NBS0003M

ECM (1) is located behind the passenger side instrument lower panel. For this inspection, remove passenger side instrument lower panel.

2 : ECM harness connector



PBIB3499E

ECM INSPECTION TABLE

Specification data are reference values and are measured between each terminal and ground. Pulse signal is measured by CONSULT-III.

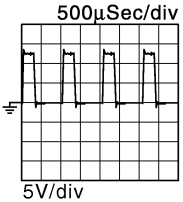
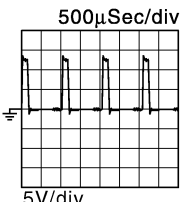
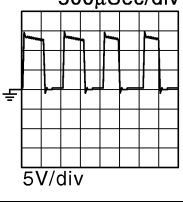
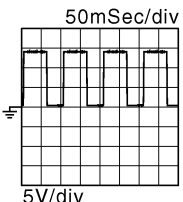
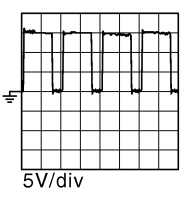
CAUTION:

Do not use ECM ground terminals when measuring input/output voltage. Doing so may result in damage to the ECMs transistor. Use a ground other than ECM terminals, such as the ground.

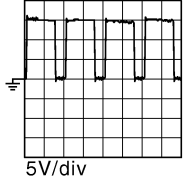
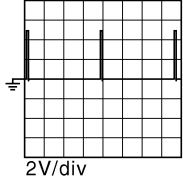
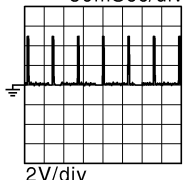
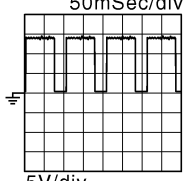
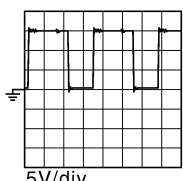
TER-MINAL NO.	WIRE COLOR	ITEM	CONDITION	DATA (DC Voltage)
1	W/R	A/F sensor 1 heater (bank 1)	<p>[Engine is running]</p> <ul style="list-style-type: none"> Warm-up condition Idle speed (More than 140 seconds after starting engine) 	<p>2.9 - 8.8V★</p> <p>50mSec/div</p> <p>5V/div</p>

PBIB3538E

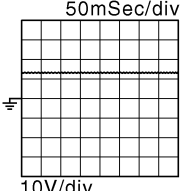
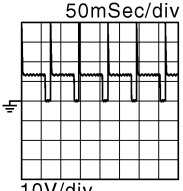
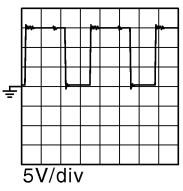
TROUBLE DIAGNOSIS

TERMINAL NO.	WIRE COLOR	ITEM	CONDITION	DATA (DC Voltage)
2	G	Throttle control motor (Open) (bank 1)	[Ignition switch: ON] <ul style="list-style-type: none"> ● Engine stopped ● Shift lever: D (A/T) or 1st (M/T) ● Accelerator pedal: Fully depressed 	0 - 14V★  <small>PBIB3539E</small>
			[Ignition switch: ON] <ul style="list-style-type: none"> ● Engine stopped ● Shift lever: D (A/T) or 1st (M/T) ● Accelerator pedal: Fully released 	0 - 14V★  <small>PBIB3540E</small>
3	R/W	Throttle control motor relay power supply (bank 1)	[Ignition switch: ON]	BATTERY VOLTAGE (11 - 14V)
4	BR	Throttle control motor (Close) (bank 1)	[Ignition switch: ON] <ul style="list-style-type: none"> ● Engine stopped ● Shift lever: D (A/T) or 1st (M/T) ● Accelerator pedal: In the middle of releasing operation 	0 - 14V★  <small>PBIB3541E</small>
5	GY/L	A/F sensor 1 heater (bank 2)	[Engine is running] <ul style="list-style-type: none"> ● Warm-up condition ● Idle speed (More than 140 seconds after starting engine) 	2.9 - 8.8★  <small>PBIB3538E</small>
6	L/OR	Exhaust valve timing control magnet retarder (bank 1)	[Engine is running] <ul style="list-style-type: none"> ● Warm-up condition ● Idle speed 	BATTERY VOLTAGE (11 - 14V)
			[Engine is running] <ul style="list-style-type: none"> ● Warm-up condition ● Around 2,500 rpm while the engine speed is rising 	7 - 12V★  <small>PBIB3542E</small>

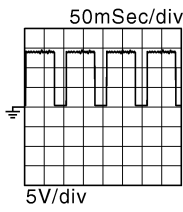
TROUBLE DIAGNOSIS

TERMINAL NO.	WIRE COLOR	ITEM	CONDITION	DATA (DC Voltage)	
7	Y/R	Exhaust valve timing control magnet retarder (bank 2)	[Engine is running] <ul style="list-style-type: none"> ● Warm-up condition ● Idle speed 	BATTERY VOLTAGE (11 - 14V)	A
			[Engine is running] <ul style="list-style-type: none"> ● Warm-up condition ● Around 2,500 rpm while the engine speed is rising 	7 - 12V★ 	EC
8	B/P	ECM ground	[Engine is running] <ul style="list-style-type: none"> ● Idle speed 	Body ground	C
11 12 15 16 19 20	GY LG/R PU G/B L/R Y/B	Ignition signal No. 4 Ignition signal No. 3 Ignition signal No. 5 Ignition signal No. 2 Ignition signal No. 6 Ignition signal No. 1	[Engine is running] <ul style="list-style-type: none"> ● Warm-up condition ● Idle speed NOTE: The pulse cycle changes depending on rpm at idle.	0 - 0.2V★ 50mSec/div 	D
			[Engine is running] <ul style="list-style-type: none"> ● Warm-up condition ● Engine speed: 2,000 rpm 	0.1 - 0.4V★ 50mSec/div 	E
17	P	Heated oxygen sensor 2 heater (bank 1)	[Engine is running] <ul style="list-style-type: none"> ● Engine speed: Below 3,600 rpm after the following conditions are met. <ul style="list-style-type: none"> - Engine: After warming up - Keeping the engine speed between 3,500 and 4,000 rpm for 1 minute and at idle for 1 minute under no load. 	0 - 14V★ 50mSec/div 	F
			[Ignition switch: ON] <ul style="list-style-type: none"> ● Engine stopped [Engine is running] <ul style="list-style-type: none"> ● Engine speed: Above 3,600 rpm 	BATTERY VOLTAGE (11 - 14V)	G
18	W/G	Intake valve timing control solenoid valve (bank 1)	[Engine is running] <ul style="list-style-type: none"> ● Warm-up condition ● Idle speed 	BATTERY VOLTAGE (11 - 14V)	H
			[Engine is running] <ul style="list-style-type: none"> ● Warm-up condition ● Engine speed: 2,000 rpm 	7 - 12V★ 	I

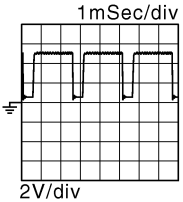
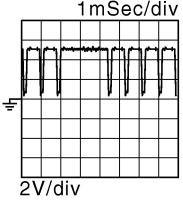
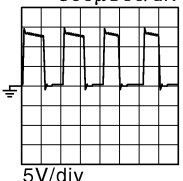
TROUBLE DIAGNOSIS

TERMINAL NO.	WIRE COLOR	ITEM	CONDITION	DATA (DC Voltage)
21	GY/R	EVAP canister purge volume control solenoid valve	[Engine is running] <ul style="list-style-type: none"> ● Idle speed ● Accelerator pedal: Not depressed even slightly, after engine starting. 	BATTERY VOLTAGE (11 - 14V)★  <small>PBIB3547E</small>
			[Engine is running] <ul style="list-style-type: none"> ● Engine speed: About 2,000 rpm (More than 100 seconds after starting engine) 	BATTERY VOLTAGE (11 - 14V)★  <small>PBIB3548E</small>
22	L/W	Fuel pump relay	[Ignition switch: ON] <ul style="list-style-type: none"> ● For 1 second after turning ignition switch ON 	0 - 1.5V
			[Engine is running] <ul style="list-style-type: none"> ● More than 1 second after turning ignition switch ON. 	BATTERY VOLTAGE (11 - 14V)
24	BR/Y	ECM relay (Self shut-off)	[Engine is running] [Ignition switch: OFF] <ul style="list-style-type: none"> ● For a few seconds after turning ignition switch OFF 	0 - 1.5V
			[Ignition switch: OFF] <ul style="list-style-type: none"> ● More than a few seconds after turning ignition switch OFF 	BATTERY VOLTAGE (11 - 14V)
25	OR	Throttle control motor relay	[Ignition switch: OFF]	BATTERY VOLTAGE (11 - 14V)
			[Ignition switch: ON]	0 - 1.0V
29	G/W	Intake valve timing control solenoid valve (bank 2)	[Engine is running] <ul style="list-style-type: none"> ● Warm-up condition ● Idle speed 	BATTERY VOLTAGE (11 - 14V)
			[Engine is running] <ul style="list-style-type: none"> ● Warm-up condition ● Engine speed: 2,000 rpm 	7 - 12V★  <small>PBIB3546E</small>

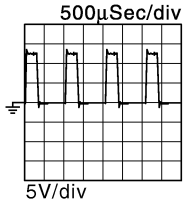
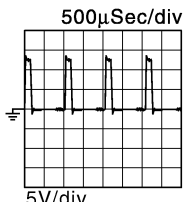
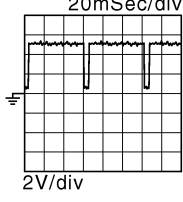
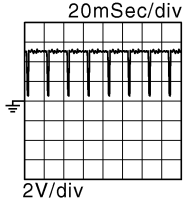
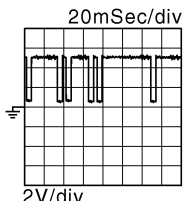
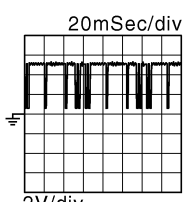
TROUBLE DIAGNOSIS

TER-MINAL NO.	WIRE COLOR	ITEM	CONDITION	DATA (DC Voltage)	
30	Y	Throttle position sensor 1 (bank 1)	[Ignition switch: ON] <ul style="list-style-type: none"> ● Engine stopped ● Shift lever: D (A/T) or 1st (M/T) ● Accelerator pedal: Fully released 	More than 0.36V	A EC
			[Ignition switch: ON] <ul style="list-style-type: none"> ● Engine stopped ● Shift lever: D (A/T) or 1st (M/T) ● Accelerator pedal: Fully depressed 	Less than 4.75V	C D
31	L/G	Throttle position sensor 1 (bank 2)	[Ignition switch: ON] <ul style="list-style-type: none"> ● Engine stopped ● Shift lever: D (A/T) or 1st (M/T) ● Accelerator pedal: Fully released 	More than 0.36V	E
			[Ignition switch: ON] <ul style="list-style-type: none"> ● Engine stopped ● Shift lever: D (A/T) or 1st (M/T) ● Accelerator pedal: Fully depressed 	Less than 4.75V	F G
33	PU/W	Heated oxygen sensor 2 heater (bank 2)	[Engine is running] <ul style="list-style-type: none"> ● Engine speed: Below 3,600 rpm after the following conditions are met. <ul style="list-style-type: none"> - Engine: After warming up - Keeping the engine speed between 3,500 and 4,000 rpm for 1 minute and at idle for 1 minute under no load. 	0 - 14V★  PBIB3545E	H I
			[Ignition switch: ON] <ul style="list-style-type: none"> ● Engine stopped [Engine is running] <ul style="list-style-type: none"> ● Engine speed: Above 3,600 rpm 	BATTERY VOLTAGE (11 - 14V)	J K
34	L	Throttle position sensor 2 (bank 1)	[Ignition switch: ON] <ul style="list-style-type: none"> ● Engine stopped ● Shift lever: D (A/T) or 1st (M/T) ● Accelerator pedal: Fully released 	Less than 4.75V	L
			[Ignition switch: ON] <ul style="list-style-type: none"> ● Engine stopped ● Shift lever: D (A/T) or 1st (M/T) ● Accelerator pedal: Fully depressed 	More than 0.36V	M
35	L/Y	Throttle position sensor 2 (bank 2)	[Ignition switch: ON] <ul style="list-style-type: none"> ● Engine stopped ● Shift lever: D (A/T) or 1st (M/T) ● Accelerator pedal: Fully released 	Less than 4.75V	
			[Ignition switch: ON] <ul style="list-style-type: none"> ● Engine stopped ● Shift lever: D (A/T) or 1st (M/T) ● Accelerator pedal: Fully depressed 	More than 0.36V	

TROUBLE DIAGNOSIS

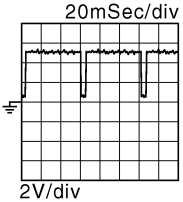
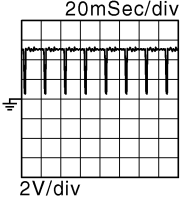
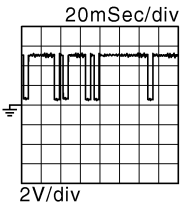
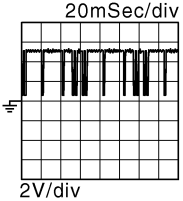
TER-MINAL NO.	WIRE COLOR	ITEM	CONDITION	DATA (DC Voltage)
37	LG/B	Crankshaft position sensor (POS)	[Engine is running] <ul style="list-style-type: none"> ● Warm-up condition ● Idle speed NOTE: The pulse cycle changes depending on rpm at idle.	4.0 - 5.0V★  2V/div PBIB3549E
			[Engine is running] <ul style="list-style-type: none"> ● Engine speed: 2,000 rpm 	4.0 - 5.0V★  2V/div PBIB3550E
40	R	Sensor ground [Throttle position sensor (bank 1)]	[Engine is running] <ul style="list-style-type: none"> ● Warm-up condition ● Idle speed 	0V
43	OR/L	Sensor power supply [Throttle position sensor (bank 2)]	[Ignition switch: ON]	5V
44	B	Sensor power supply [Throttle position sensor (bank 1)]	[Ignition switch: ON]	5V
46	R/B	Sensor power supply [Crankshaft position sensor (POS)]	[Ignition switch: ON]	5V
47	Y/G	Sensor ground [Crankshaft position sensor (POS)]	[Engine is running] <ul style="list-style-type: none"> ● Warm-up condition ● Idle speed 	0V
48	W/L	Sensor ground [Throttle position sensor (bank 2)]	[Engine is running] <ul style="list-style-type: none"> ● Warm-up condition ● Idle speed 	0V
49	L/B	Throttle control motor (Close) (bank 2)	[Ignition switch: ON] <ul style="list-style-type: none"> ● Engine stopped ● Shift lever: D (A/T) or 1st (M/T) ● Accelerator pedal: In the middle of releasing operation 	0 - 14V★  5V/div PBIB3541E

TROUBLE DIAGNOSIS

TER-MINAL NO.	WIRE COLOR	ITEM	CONDITION	DATA (DC Voltage)
50	PU/W	Throttle control motor (Open) (bank 2)	[Ignition switch: ON] <ul style="list-style-type: none"> ● Engine stopped ● Shift lever: D (A/T) or 1st (M/T) ● Accelerator pedal: Fully depressed 	0 - 14V★  <small>PBIB3539E</small>
			[Ignition switch: ON] <ul style="list-style-type: none"> ● Engine stopped ● Shift lever: D (A/T) or 1st (M/T) ● Accelerator pedal: Fully released 	0 - 14V★  <small>PBIB3540E</small>
52	R/W	Throttle control motor relay power supply (bank 2)	[Ignition switch: ON]	BATTERY VOLTAGE (11 - 14V)
53	P/L	Ignition switch	[Ignition switch: OFF]	0V
			[Ignition switch: ON]	BATTERY VOLTAGE (11 - 14V)
57	L	A/F sensor 1 (bank 1)	[Ignition switch: ON]	2.2V
58	Y/G	Exhaust valve timing control position sensor (bank 1)	[Engine is running] <ul style="list-style-type: none"> ● Warm-up condition ● Idle speed NOTE: The pulse cycle changes depending on rpm at idle.	4.0 - 5.0V★  <small>PBIB3551E</small>
			[Engine is running] <ul style="list-style-type: none"> ● Warm-up condition ● Engine speed: 2,000 rpm 	4.0 - 5.0V★  <small>PBIB3552E</small>
59	BR/Y	Camshaft position sensor (PHASE) (bank 1)	[Engine is running] <ul style="list-style-type: none"> ● Warm-up condition ● Idle speed NOTE: The pulse cycle changes depending on rpm at idle.	3.0 - 5.0V★  <small>PBIB3553E</small>
			[Engine is running] <ul style="list-style-type: none"> ● Engine speed: 2,000 rpm 	3.0 - 5.0V★  <small>PBIB3554E</small>

A
EC
 C
 D
 E
 F
 G
 H
 I
 J
 K
 L
 M

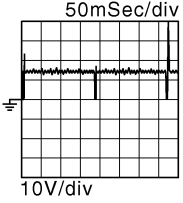
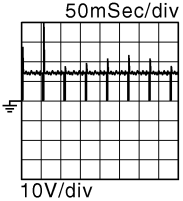
TROUBLE DIAGNOSIS

TER-MINAL NO.	WIRE COLOR	ITEM	CONDITION	DATA (DC Voltage)
60	R/L	Sensor power supply [Camshaft position sensor (PHASE) (bank 1), Exhaust valve timing control position sensor (bank 1), Power steering pressure sensor]	[Ignition switch: ON]	5V
61	R	A/F sensor 1 (bank 1)	[Ignition switch: ON] ● Warm-up condition ● Engine speed: 2,000 rpm	1.8V Output voltage varies with air fuel ratio.
62	B/Y	Exhaust valve timing control position sensor (bank 2)	[Engine is running] ● Warm-up condition ● Idle speed NOTE: The pulse cycle changes depending on rpm at idle.	4.0 - 5.0V★ 
			[Engine is running] ● Warm-up condition ● Engine speed: 2,000 rpm	4.0 - 5.0V★ 
63	SB	Camshaft position sensor (PHASE) (bank 2)	[Engine is running] ● Warm-up condition ● Idle speed NOTE: The pulse cycle changes depending on rpm at idle.	3.0 - 5.0V★ 
			[Engine is running] ● Engine speed: 2,000 rpm	1.0 - 4.0V★ 
64	W/G	Sensor power supply [Camshaft position sensor (PHASE) (bank 2), Exhaust valve timing control position sensor (bank 2)]	[Ignition switch: ON]	5V
65	PU	A/F sensor 1 (bank 2)	[Ignition switch: ON]	2.2V
66	LG	A/F sensor 1 (bank 2)	[Ignition switch: ON] ● Warm-up condition ● Engine speed: 2,000 rpm	1.8V Output voltage varies with air fuel ratio.
67	W/L	Intake air temperature sensor (bank 1)	[Engine is running]	0 - 4.8V Output voltage varies with intake air temperature.

TROUBLE DIAGNOSIS

TERMINAL NO.	WIRE COLOR	ITEM	CONDITION	DATA (DC Voltage)	
68	B	Sensor ground [Mass air flow sensor (bank1), Intake air temperature sensor (bank 1)]	[Engine is running] ● Warm-up condition ● Idle speed	0V	A EC
69	W	Knock sensor (bank 2)	[Engine is running] ● Idle speed	2.5V*	C
71	Y/B	Engine coolant temperature sensor	[Engine is running]	0 - 4.8V Output voltage varies with engine coolant temperature.	D
72	—	Sensor ground [Knock sensor (bank 1), Knock sensor (bank 2)]	[Engine is running] ● Warm-up condition ● Idle speed	Approximately 0V	E
73	W	Knock sensor (bank 1)	[Engine is running] ● Idle speed	2.5V*	F
76	W/R	Heated oxygen sensor 2 (bank 1)	[Engine is running] ● Revving engine from idle to 3,000 rpm quickly after the following conditions are met. – Engine: After warming up – Keeping the engine speed between 3,500 and 4,000 rpm for 1 minute and at idle for 1 minute under no load.	0 - 1.0V	G H
77	L/W	Mass air flow sensor (bank1)	[Engine is running] ● Warm-up condition ● Idle speed	0.8 - 1.1V	I
			[Engine is running] ● Warm-up condition ● Engine speed: 2,500 rpm	1.4 - 1.7V	J
78	G/W	Engine oil temperature sensor	[Engine is running]	0 - 4.8V Output voltage varies with engine oil temperature.	K
79	GY/R	Mass air flow sensor (bank2)	[Engine is running] ● Warm-up condition ● Idle speed	0.8 - 1.1V	L
			[Engine is running] ● Warm-up condition ● Engine speed: 2,500 rpm	1.4 - 1.7V	M
80	R/Y	Heated oxygen sensor 2 (bank 2)	[Engine is running] ● Revving engine from idle to 3,000 rpm quickly after the following conditions are met. – Engine: After warming up – Keeping the engine speed between 3,500 and 4,000 rpm for 1 minute and at idle for 1 minute under no load.	0 - 1.0V	

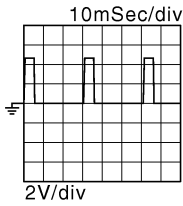
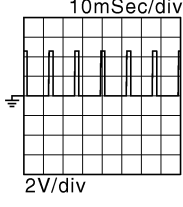
TROUBLE DIAGNOSIS

TER-MINAL NO.	WIRE COLOR	ITEM	CONDITION	DATA (DC Voltage)
81 82 85 86 89 90	R/B L/R BR W/B G/Y Y/R	Fuel injector No. 3 Fuel injector No. 6 Fuel injector No. 2 Fuel injector No. 5 Fuel injector No. 1 Fuel injector No. 4	<p>[Engine is running]</p> <ul style="list-style-type: none"> ● Warm-up condition ● Idle speed <p>NOTE: The pulse cycle changes depending on rpm at idle.</p>	<p>BATTERY VOLTAGE (11 - 14V)★</p> 
			<p>[Engine is running]</p> <ul style="list-style-type: none"> ● Warm-up condition ● Engine speed: 2,000 rpm 	<p>BATTERY VOLTAGE (11 - 14V)★</p> 
83	G	Intake air temperature sensor (bank 2)	[Engine is running]	0 - 4.8V Output voltage varies with intake air temperature.
84	G	Sensor ground (Heated oxygen sensor 2, Engine coolant temperature sensor, Engine oil temperature sensor)	<p>[Engine is running]</p> <ul style="list-style-type: none"> ● Warm-up condition ● Idle speed 	0V
87	Y	Power steering pressure sensor	<p>[Engine is running]</p> <ul style="list-style-type: none"> ● Steering wheel: Being turned 	0.5 - 4.5V
			<p>[Engine is running]</p> <ul style="list-style-type: none"> ● Steering wheel: Not being turned 	0.4 - 0.8V
88	LG/B	Sensor ground [Exhaust valve timing control position sensor (bank 1), Exhaust valve timing control position sensor (bank 2)]	<p>[Engine is running]</p> <ul style="list-style-type: none"> ● Warm-up condition ● Idle speed 	0V
92	B/P	Sensor ground [Camshaft position sensor (PHASE) (bank 2)]	<p>[Engine is running]</p> <ul style="list-style-type: none"> ● Warm-up condition ● Idle speed 	0V
93	P	Power supply for ECM (Back-up)	[Ignition switch: OFF]	BATTERY VOLTAGE (11 - 14V)
94	L/Y	Sensor ground [Mass air flow sensor (bank 2)]	<p>[Engine is running]</p> <ul style="list-style-type: none"> ● Warm-up condition ● Idle speed 	0V
96	P/L	Sensor ground [Camshaft position sensor (PHASE) (bank 1), Power steering pressure sensor]	<p>[Engine is running]</p> <ul style="list-style-type: none"> ● Warm-up condition ● Idle speed 	0V
97	R	Accelerator pedal position sensor 1	<p>[Ignition switch: ON]</p> <ul style="list-style-type: none"> ● Engine stopped ● Accelerator pedal: Fully released 	0.5 - 1.0V
			<p>[Ignition switch: ON]</p> <ul style="list-style-type: none"> ● Engine stopped ● Accelerator pedal: Fully depressed 	3.9 - 4.7V

TROUBLE DIAGNOSIS

TER-MINAL NO.	WIRE COLOR	ITEM	CONDITION	DATA (DC Voltage)	
98	SB	Accelerator pedal position sensor 2	[Ignition switch: ON] ● Engine stopped ● Accelerator pedal: Fully released	1.95 - 2.40V	A EC
			[Ignition switch: ON] ● Engine stopped ● Accelerator pedal: Fully depressed	2.0 - 2.5V	C
99	L	Sensor power supply (Accelerator pedal position sensor 1)	[Ignition switch: ON]	5V	D
100	W	Sensor ground (Accelerator pedal position sensor 1)	[Engine is running] ● Warm-up condition ● Idle speed	0V	E
101	G/Y	ASCD steering switch	[Ignition switch: ON] ● ASCD steering switch: OFF	4V	F
			[Ignition switch: ON] ● MAIN switch: Pressed	0V	G
			[Ignition switch: ON] ● CANCEL switch: Pressed	1V	H
			[Ignition switch: ON] ● RESUME/ACCELERATE switch: Pressed	3V	I
			[Ignition switch: ON] ● SET/COAST switch: Pressed	2V	J
102	LG	EVAP control system pressure sensor	[Ignition switch: ON]	1.8 - 4.8V	K
103	G	Sensor power supply (Accelerator pedal position sensor 2)	[Ignition switch: ON]	5V	L
104	GY	Sensor ground (Accelerator pedal position sensor 2)	[Engine is running] ● Warm-up condition ● Idle speed	0V	M
105	L	Refrigerant pressure sensor	[Engine is running] ● Warm-up condition ● Both A/C switch and blower switch: ON (Compressor operates.)	1.0 - 4.0V	
106	W	Fuel tank temperature sensor	[Engine is running]	0 - 4.8V Output voltage varies with fuel tank temperature.	
107	BR	Sensor power supply (EVAP control system pressure sensor)	[Ignition switch: ON]	5V	
108	B/Y	Sensor ground (ASCD steering switch)	[Engine is running] ● Warm-up condition ● Idle speed	0V	
109	BR	PNP switch	[Ignition switch: ON] ● Shift lever: P or N (A/T), Neutral (M/T) position	BATTERY VOLTAGE (11 - 14V)	
			[Ignition switch: ON] ● Shift lever: Except above position	0V	

TROUBLE DIAGNOSIS

TERMINAL NO.	WIRE COLOR	ITEM	CONDITION	DATA (DC Voltage)
110	Y	Engine speed output signal	[Engine is running] <ul style="list-style-type: none"> ● Warm-up condition ● Idle speed NOTE: The pulse cycle changes depending on rpm at idle	1V★  PBIB3557E
			[Engine is running] <ul style="list-style-type: none"> ● Engine speed: 2,000 rpm 	1V★  PBIB3558E
111	OR	Sensor power supply (Refrigerant pressure sensor)	[Ignition switch: ON]	5V
112	PU	Sensor ground (EVAP control system pressure sensor)	[Engine is running] <ul style="list-style-type: none"> ● Warm-up condition ● Idle speed 	0V
113	P	CAN communication line	—	—
114	L	CAN communication line	—	—
116	W	Sensor ground (Refrigerant pressure sensor)	[Engine is running] <ul style="list-style-type: none"> ● Warm-up condition ● Idle speed 	0V
117	PU	Data link connector	[Ignition switch: ON] <ul style="list-style-type: none"> ● GST: Disconnected 	5V - Battery voltage (11 - 14V)
121	LG	EVAP canister vent control valve	[Ignition switch: ON]	BATTERY VOLTAGE (11 - 14V)
122	P/L	Stop lamp switch	[Ignition switch: OFF] <ul style="list-style-type: none"> ● Brake pedal: Fully released 	0V
			[Ignition switch: OFF] <ul style="list-style-type: none"> ● Brake pedal: Slightly depressed 	BATTERY VOLTAGE (11 - 14V)
123 124	B/W B/R	ECM ground	[Engine is running] <ul style="list-style-type: none"> ● Idle speed 	Body ground
125	R	Power supply for ECM	[Ignition switch: ON]	BATTERY VOLTAGE (11 - 14V)
126	L/OR	ASCD brake switch	[Ignition switch: ON] <ul style="list-style-type: none"> ● Brake pedal: Slightly depressed (A/T) ● Brake pedal and/or clutch pedal: Slightly depressed (M/T) 	0V
			[Ignition switch: ON] <ul style="list-style-type: none"> ● Brake pedal: Fully released (A/T) ● Brake pedal and clutch pedal: Fully released (M/T) 	BATTERY VOLTAGE (11 - 14V)
127 128	B B	ECM ground	[Engine is running] <ul style="list-style-type: none"> ● Idle speed 	Body ground

★: Average voltage for pulse signal (Actual pulse signal can be confirmed by oscilloscope.)

TROUBLE DIAGNOSIS

*: This may vary depending on internal resistance of the tester.

A

EC

C

D

E

F

G

H

I

J

K

L

M

TROUBLE DIAGNOSIS

CONSULT-III Function (ENGINE) FUNCTION

NBS0003N

Diagnostic test mode	Function
Work support	This mode enables a technician to adjust some devices faster and more accurately by following the indications on the CONSULT-III unit.
Self-diagnostic results	Self-diagnostic results such as 1st trip DTC, DTCs and 1st trip freeze frame data or freeze frame data can be read and erased quickly.*
Data monitor	Input/Output data in the ECM can be read.
CAN diagnostic support monitor	The results of transmit/receive diagnosis of CAN communication can be read.
Active test	Diagnostic Test Mode in which CONSULT-III drives some actuators apart from the ECMs and also shifts some parameters in a specified range.
Function test	This mode is used to inform customers when their vehicle condition requires periodic maintenance.
DTC & SRT confirmation	The status of system monitoring tests and the self-diagnosis status/result can be confirmed.
ECU Identification	ECM part number can be read.

*: The following emission-related diagnostic information is cleared when the ECM memory is erased.

- Diagnostic trouble codes
- 1st trip diagnostic trouble codes
- Freeze frame data
- 1st trip freeze frame data
- System readiness test (SRT) codes
- Test values

TROUBLE DIAGNOSIS

ENGINE CONTROL COMPONENT PARTS/CONTROL SYSTEMS APPLICATION

Item		DIAGNOSTIC TEST MODE						
		WORK SUPPORT	SELF-DIAGNOSTIC RESULTS		DATA MONITOR	ACTIVE TEST	DTC & SRT CONFIRMATION	
			DTC*1	FREEZE FRAME DATA*2			SRT STATUS	DTC WORK SUPPORT
ENGINE CONTROL COMPONENT PARTS INPUT	Crankshaft position sensor (POS)		×	×	×			
	Camshaft position sensor (PHASE)		×	×	×			
	Mass air flow sensor		×		×			
	Engine coolant temperature sensor		×	×	×	×		
	Engine oil temperature sensor				×			
	Air Fuel ratio (A/F) sensor 1		×		×		×	×
	Heated oxygen sensor 2		×		×		×	×
	Vehicle speed sensor		×	×	×			
	Accelerator pedal position sensor		×		×			
	Throttle position sensor		×	×	×			
	Fuel tank temperature sensor		×		×	×		
	EVAP control system pressure sensor		×		×			
	Intake air temperature sensor		×	×	×			
	Knock sensor		×					
	Refrigerant pressure sensor				×			
	Closed throttle position switch (accelerator pedal position sensor signal)				×			
	Air conditioner switch				×			
	Park/neutral position (PNP) switch		×		×			
	Stop lamp switch		×		×			
	Power steering pressure sensor		×		×			
	Battery voltage				×			
	Load signal				×			
	Exhaust valve timing control position sensor		×		×			
	Fuel level sensor		×		×			
	ASCD steering switch		×		×			
	ASCD brake switch		×		×			
ASCD clutch switch		×		×				

TROUBLE DIAGNOSIS

Item		DIAGNOSTIC TEST MODE						
		WORK SUPPORT	SELF-DIAGNOSTIC RESULTS		DATA MONITOR	ACTIVE TEST	DTC & SRT CONFIRMATION	
			DTC*1	FREEZE FRAME DATA*2			SRT STATUS	DTC WORK SUPPORT
ENGINE CONTROL COMPONENT PARTS	OUTPUT	Fuel injector			×	×		
	Power transistor (Ignition timing)				×	×		
	Throttle control motor relay		×		×			
	Throttle control motor		×					
	EVAP canister purge volume control solenoid valve		×		×	×		×
	Air conditioner relay				×			
	Fuel pump relay	×			×	×		
	Cooling fan relay		×		×	×		
	Air fuel ratio (A/F) sensor 1 heater		×		×		×*3	
	Heated oxygen sensor 2 heater		×		×		×*3	
	EVAP canister vent control valve	×	×		×	×		
	Intake valve timing control solenoid valve		×		×	×		
	Exhaust valve timing control magnet retarder	×	×		×	×		
	Calculated load value			×	×			

X: Applicable

*1: This item includes 1st trip DTCs.

*2: This mode includes 1st trip freeze frame data or freeze frame data. The items appear on CONSULT-III screen in freeze frame data mode only if a 1st trip DTC or DTC is detected. For details, refer to [EC-119, "Freeze Frame Data and 1st Trip Freeze Frame Data"](#).

*3: Always "CMPLT" is displayed.

INSPECTION PROCEDURE

Refer to [GI-36, "CONSULT-III/GST CHECKING SYSTEM"](#).

WORK SUPPORT MODE

Work Item

WORK ITEM	CONDITION	USAGE
FUEL PRESSURE RELEASE	<ul style="list-style-type: none"> FUEL PUMP WILL STOP BY TOUCHING START DURING IDLING. CRANK A FEW TIMES AFTER ENGINE STALLS. 	When releasing fuel pressure from fuel line
IDLE AIR VOL LEARN	<ul style="list-style-type: none"> THE IDLE AIR VOLUME THAT KEEPS THE ENGINE WITHIN THE SPECIFIED RANGE IS MEMORIZED IN ECM. 	When learning the idle air volume
SELF-LEARNING CONT	<ul style="list-style-type: none"> THE COEFFICIENT OF SELF-LEARNING CONTROL MIXTURE RATIO RETURNS TO THE ORIGINAL COEFFICIENT. 	When clearing the coefficient of self-learning control value

TROUBLE DIAGNOSIS

WORK ITEM	CONDITION	USAGE
EVAP SYSTEM CLOSE	<p>CLOSE THE EVAP CANISTER VENT CONTROL VALVE IN ORDER TO MAKE EVAP SYSTEM CLOSE UNDER THE FOLLOWING CONDITIONS.</p> <ul style="list-style-type: none"> ● IGN SW ON ● ENGINE NOT RUNNING ● AMBIENT TEMPERATURE IS ABOVE 0°C (32°F). ● NO VACUUM AND NO HIGH PRESSURE IN EVAP SYSTEM ● FUEL TANK TEMP. IS MORE THAN 0°C (32°F). ● WITHIN 10 MINUTES AFTER STARTING EVAP SYSTEM CLOSE ● WHEN TRYING TO EXECUTE EVAP SYSTEM CLOSE UNDER THE CONDITION EXCEPT ABOVE, CONSULT-III WILL DISCONTINUE IT AND DISPLAY APPROPRIATE INSTRUCTION. <p>NOTE: WHEN STARTING ENGINE, CONSULT-III MAY DISPLAY "BATTERY VOLTAGE IS LOW. CHARGE BATTERY", EVEN IN USING CHARGED BATTERY.</p>	When detecting EVAP vapor leak point of EVAP system
VIN REGISTRATION	<ul style="list-style-type: none"> ● IN THIS MODE, VIN IS REGISTERED IN ECM. 	When registering VIN in ECM
EXH V/T CONTROL LEARN	<ul style="list-style-type: none"> ● IN THIS MODE, OPERATION TO LEARN EXHAUST VALVE TIMING CONTROL MAGNET RETARDER CHARACTERISTIC. 	When learning the exhaust valve timing control
TARGET IDLE RPM ADJ*	<ul style="list-style-type: none"> ● IDLE CONDITION 	When setting target idle speed
TARGET IGN TIM ADJ*	<ul style="list-style-type: none"> ● IDLE CONDITION 	When adjusting target ignition timing

*: This function is not necessary in the usual service procedure.

SELF-DIAG RESULTS MODE

Self Diagnostic Item

Regarding items of DTC and 1st trip DTC, refer to [EC-48. "EMISSION-RELATED DIAGNOSTIC INFORMATION ITEMS" .\)](#)

Freeze Frame Data and 1st Trip Freeze Frame Data

Freeze frame data item*	Description
DIAG TROUBLE CODE [PXXXX]	<ul style="list-style-type: none"> ● The engine control component part/control system has a trouble code, it is displayed as PXXXX. (Refer to EC-8. "INDEX FOR DTC" .)
FUEL SYS-B1	<ul style="list-style-type: none"> ● "Fuel injection system status" at the moment a malfunction is detected is displayed.
FUEL SYS-B2	<ul style="list-style-type: none"> ● One mode in the following is displayed. Mode2: Open loop due to detected system malfunction Mode3: Open loop due to driving conditions (power enrichment, deceleration enrichment) Mode4: Closed loop - using oxygen sensor(s) as feedback for fuel control Mode5: Open loop - has not yet satisfied condition to go to closed loop
CAL/LD VALUE [%]	<ul style="list-style-type: none"> ● The calculated load value at the moment a malfunction is detected is displayed.
COOLANT TEMP [°C] or [°F]	<ul style="list-style-type: none"> ● The engine coolant temperature at the moment a malfunction is detected is displayed.
L-FUEL TRM-B1 [%]	<ul style="list-style-type: none"> ● "Long-term fuel trim" at the moment a malfunction is detected is displayed.
L-FUEL TRM-B2 [%]	<ul style="list-style-type: none"> ● The long-term fuel trim indicates much more gradual feedback compensation to the base fuel schedule than short-term fuel trim.
S-FUEL TRM-B1 [%]	<ul style="list-style-type: none"> ● "Short-term fuel trim" at the moment a malfunction is detected is displayed.
S-FUEL TRM-B2 [%]	<ul style="list-style-type: none"> ● The short-term fuel trim indicates dynamic or instantaneous feedback compensation to the base fuel schedule.

TROUBLE DIAGNOSIS

Freeze frame data item*	Description
ENGINE SPEED [rpm]	<ul style="list-style-type: none"> The engine speed at the moment a malfunction is detected is displayed.
VEHICL SPEED [km/h] or [mph]	<ul style="list-style-type: none"> The vehicle speed at the moment a malfunction is detected is displayed.
ABSOL TH-P/S [%]	<ul style="list-style-type: none"> The throttle valve operating angle at the moment a malfunction is detected is displayed.
B/FUEL SCHDL [msec]	<ul style="list-style-type: none"> The base fuel schedule at the moment a malfunction is detected is displayed.
INT/A TEMP SE [°C] or [°F]	<ul style="list-style-type: none"> The intake air temperature at the moment a malfunction is detected is displayed.

*: This item is the same as that of 1st trip freeze frame data.

DATA MONITOR MODE

Monitored Item

×: Applicable

Monitored item [Unit]	Description	Remarks
ENG SPEED [rpm]	<ul style="list-style-type: none"> Indicates the engine speed computed from the signals of the crankshaft position sensor (POS) and camshaft position sensor (PHASE). 	<ul style="list-style-type: none"> Accuracy becomes poor if engine speed drops below the idle rpm. If the signal is interrupted while the engine is running, an abnormal value may be indicated.
MAS A/F SE-B1 [V]	<ul style="list-style-type: none"> The signal voltage of the mass air flow sensor is displayed. 	<ul style="list-style-type: none"> When the engine is stopped, a certain value is indicated. When engine is running specification range is indicated in "SPEC".
MAS A/F SE-B2 [V]		
B/FUEL SCHDL [msec]	<ul style="list-style-type: none"> "Base fuel schedule" indicates the fuel injection pulse width programmed into ECM, prior to any learned on board correction. 	<ul style="list-style-type: none"> When engine is running specification range is indicated in "SPEC".
A/F ALPHA-B1 [%]	<ul style="list-style-type: none"> The mean value of the air-fuel ratio feedback correction factor per cycle is indicated. 	<ul style="list-style-type: none"> When the engine is stopped, a certain value is indicated. This data also includes the data for the air-fuel ratio learning control. When engine is running specification range is indicated in "SPEC".
A/F ALPHA-B2 [%]		
COOLAN TEMP/S [°C] or [°F]	<ul style="list-style-type: none"> The engine coolant temperature (determined by the signal voltage of the engine coolant temperature sensor) is displayed. 	<ul style="list-style-type: none"> When the engine coolant temperature sensor is open or short-circuited, ECM enters fail-safe mode. The engine coolant temperature determined by the ECM is displayed.
A/F SEN1 (B1) [V]	<ul style="list-style-type: none"> The A/F signal computed from the input signal of the A/F sensor 1 is displayed. 	
A/F SEN1 (B2) [V]		
HO2S2 (B1) [V]	<ul style="list-style-type: none"> The signal voltage of the heated oxygen sensor 2 is displayed. 	
HO2S2 (B2) [V]		
HO2S2 MNTR(B1) [RICH/LEAN]	<ul style="list-style-type: none"> Display of heated oxygen sensor 2 signal: RICH: Means the amount of oxygen after three way catalyst is relatively small. LEAN: Means the amount of oxygen after three way catalyst is relatively large. 	<ul style="list-style-type: none"> When the engine is stopped, a certain value is indicated.
HO2S2 MNTR(B2) [RICH/LEAN]		
VHCL SPEED SE [km/h] or [mph]	<ul style="list-style-type: none"> The vehicle speed computed from the vehicle speed signal sent from combination meter is displayed. 	
BATTERY VOLT [V]	<ul style="list-style-type: none"> The power supply voltage of ECM is displayed. 	
ACCEL SEN 1 [V]	<ul style="list-style-type: none"> The accelerator pedal position sensor signal voltage is displayed. 	<ul style="list-style-type: none"> ACCEL SEN 2 signal is converted by ECM internally. Thus, it differs from ECM terminal voltage signal.
ACCEL SEN 2 [V]		

TROUBLE DIAGNOSIS

Monitored item [Unit]	Description	Remarks
TP SEN 1-B1 [V]	<ul style="list-style-type: none"> The throttle position sensor signal voltage is displayed. 	<ul style="list-style-type: none"> THRTL SEN 2-B1 signal is converted by ECM internally. Thus, it differs from ECM terminal voltage signal.
TP SEN 2-B1 [V]		
FUEL T/TMP SE [°C] or [°F]	<ul style="list-style-type: none"> The fuel temperature (determined by the signal voltage of the fuel tank temperature sensor) is displayed. 	
INT/A TEMP SE [°C] or [°F]	<ul style="list-style-type: none"> The intake air temperature (determined by the signal voltage of the intake air temperature sensor) is indicated. 	
EVAP SYS PRES [V]	<ul style="list-style-type: none"> The signal voltage of EVAP control system pressure sensor is displayed. 	
FUEL LEVEL SE [V]	<ul style="list-style-type: none"> The signal voltage of the fuel level sensor is displayed. 	
START SIGNAL [ON/OFF]	<ul style="list-style-type: none"> Indicates start signal status [ON/OFF] computed by the ECM according to the signals of engine speed and battery voltage. 	<ul style="list-style-type: none"> After starting the engine, [OFF] is displayed regardless of the starter signal.
CLSD THL POS [ON/OFF]	<ul style="list-style-type: none"> Indicates idle position [ON/OFF] computed by ECM according to the accelerator pedal position sensor signal. 	
AIR COND SIG [ON/OFF]	<ul style="list-style-type: none"> Indicates [ON/OFF] condition of the air conditioner switch as determined by the air conditioner signal. 	
P/N POSI SW [ON/OFF]	<ul style="list-style-type: none"> Indicates [ON/OFF] condition from the park/neutral position (PNP) switch signal. 	
PW/ST SIGNAL [ON/OFF]	<ul style="list-style-type: none"> [ON/OFF] condition of the power steering system (determined by the signal voltage of the power steering pressure sensor) is indicated. 	
LOAD SIGNAL [ON/OFF]	<ul style="list-style-type: none"> Indicates [ON/OFF] condition from the electrical load signal. ON: Rear window defogger switch is ON and/or lighting switch is in 2nd position. OFF: Both rear window defogger switch and lighting switch are OFF. 	
IGNITION SW [ON/OFF]	<ul style="list-style-type: none"> Indicates [ON/OFF] condition from ignition switch signal. 	
HEATER FAN SW [ON/OFF]	<ul style="list-style-type: none"> Indicates [ON/OFF] condition from the heater fan switch signal. 	
BRAKE SW [ON/OFF]	<ul style="list-style-type: none"> Indicates [ON/OFF] condition from the stop lamp switch signal. 	
INJ PULSE-B1 [msec]	<ul style="list-style-type: none"> Indicates the actual fuel injection pulse width compensated by ECM according to the input signals. 	<ul style="list-style-type: none"> When the engine is stopped, a certain computed value is indicated.
INJ PULSE-B2 [msec]		
IGN TIMING [BTDC]	<ul style="list-style-type: none"> Indicates the ignition timing computed by ECM according to the input signals. 	<ul style="list-style-type: none"> When the engine is stopped, a certain value is indicated.
CAL/LD VALUE [%]	<ul style="list-style-type: none"> "Calculated load value" indicates the value of the current air flow divided by peak air flow. 	
MASS AIRFLOW [g·m/s]	<ul style="list-style-type: none"> Indicates the mass air flow computed by ECM according to the signal voltage of the mass air flow sensor. 	
PURG VOL C/V [%]	<ul style="list-style-type: none"> Indicates the EVAP canister purge volume control solenoid valve control value computed by the ECM according to the input signals. The opening becomes larger as the value increases. 	
INT/V TIM(B1) [°CA]	<ul style="list-style-type: none"> Indicates [°CA] of intake camshaft advanced angle. 	
INT/V TIM(B2) [°CA]		
EXH/V TIM B1 [°CA]	<ul style="list-style-type: none"> Indicates [°CA] of exhaust camshaft retarded angle. 	
EXH/V TIM B2 [°CA]		

TROUBLE DIAGNOSIS

Monitored item [Unit]	Description	Remarks
INT/V SOL(B1) [%]	<ul style="list-style-type: none"> The control value of the intake valve timing control solenoid valve (determined by ECM according to the input signals) is indicated. The advance angle becomes larger as the value increases. 	
INT/V SOL(B2) [%]		
EX VTC DTY B1 [%]	<ul style="list-style-type: none"> The control value of the exhaust valve timing control magnet retarder (determined by ECM according to the input signals) is indicated. The retard angle becomes larger as the value increases. 	
EX VTC DTY B2 [%]		
TP SEN 1-B2 [V]	<ul style="list-style-type: none"> The throttle position sensor signal voltage is displayed. 	<ul style="list-style-type: none"> THRTL SEN 2-B2 signal is converted by ECM internally. Thus, it differs from ECM terminal voltage signal.
TP SEN 2-B2 [V]		
AIR COND RLY [ON/OFF]	<ul style="list-style-type: none"> The air conditioner relay control condition (determined by ECM according to the input signals) is indicated. 	
FUEL PUMP RLY [ON/OFF]	<ul style="list-style-type: none"> Indicates the fuel pump relay control condition determined by ECM according to the input signals. 	
VENT CONT/V [ON/OFF]	<ul style="list-style-type: none"> The control condition of the EVAP canister vent control valve (determined by ECM according to the input signals) is indicated. ON: Closed OFF: Open 	
THRTL RELAY [ON/OFF]	<ul style="list-style-type: none"> Indicates the throttle control motor relay control condition determined by the ECM according to the input signals. 	
COOLING FAN [HI/LOW/OFF]	<ul style="list-style-type: none"> The control condition of the cooling fan (determined by ECM according to the input signals) is indicated. HI: High speed operation LOW: Low speed operation OFF: Stop 	
HO2S2 HTR (B1) [ON/OFF]	<ul style="list-style-type: none"> Indicates [ON/OFF] condition of heated oxygen sensor 2 heater determined by ECM according to the input signals. 	
HO2S2 HTR (B2) [ON/OFF]		
I/P PULLY SPD [rpm]	<ul style="list-style-type: none"> Indicates the engine speed computed from the turbine revolution sensor signal. 	
VEHICLE SPEED [km/h] or [mph]	<ul style="list-style-type: none"> Indicates the vehicle speed computed from the revolution sensor signal. 	
IDL A/V LEARN [YET/CMPLT]	<ul style="list-style-type: none"> Display the condition of Idle Air Volume Learning YET: Idle Air Volume Learning has not been performed yet. CMPLT: Idle Air Volume Learning has already been performed successfully. 	
TRVL AFTER MIL [km] or [mile]	<ul style="list-style-type: none"> Distance traveled while MIL is activated. 	
ENG OIL TEMP [°C] or [°F]	<ul style="list-style-type: none"> The engine oil temperature (determined by the signal voltage of the engine oil temperature sensor) is displayed. 	
A/F S1 HTR(B1) [%]	<ul style="list-style-type: none"> Indicates A/F sensor 1 heater control value computed by ECM according to the input signals. The current flow to the heater becomes larger as the value increases. 	
A/F S1 HTR(B2) [%]		
AC PRESS SEN [V]	<ul style="list-style-type: none"> The signal voltage from the refrigerant pressure sensor is displayed. 	

TROUBLE DIAGNOSIS

Monitored item [Unit]	Description	Remarks	
VHCL SPEED SE [km/h] or [mph]	<ul style="list-style-type: none"> The vehicle speed computed from the vehicle speed signal sent from TCM is displayed. 		A
SET VHCL SPD [km/h] or [mph]	<ul style="list-style-type: none"> The preset vehicle speed is displayed. 		EC
MAIN SW [ON/OFF]	<ul style="list-style-type: none"> Indicates [ON/OFF] condition from MAIN switch signal. 		C
CANCEL SW [ON/OFF]	<ul style="list-style-type: none"> Indicates [ON/OFF] condition from CANCEL switch signal. 		D
RESUME/ACC SW [ON/OFF]	<ul style="list-style-type: none"> Indicates [ON/OFF] condition from RESUME/ACCELERATE switch signal. 		D
SET SW [ON/OFF]	<ul style="list-style-type: none"> Indicates [ON/OFF] condition from SET/COAST switch signal. 		E
BRAKE SW1 [ON/OFF]	<ul style="list-style-type: none"> Indicates [ON/OFF] condition from ASCD brake switch signal and ASCD clutch switch signal (M/T) 		E
BRAKE SW2 [ON/OFF]	<ul style="list-style-type: none"> Indicates [ON/OFF] condition of stop lamp switch signal. 		F
VHCL SPD CUT [NON/CUT]	<ul style="list-style-type: none"> Indicates the vehicle cruise condition. NON: Vehicle speed is maintained at the ASCD set speed. CUT: Vehicle speed decreased to excessively low compared with the ASCD set speed, and ASCD operation is cut off. 		G
LO SPEED CUT [NON/CUT]	<ul style="list-style-type: none"> Indicates the vehicle cruise condition. NON: Vehicle speed is maintained at the ASCD set speed. CUT: Vehicle speed decreased to excessively low, and ASCD operation is cut off. 		H
AT OD MONITOR [ON/OFF]	<ul style="list-style-type: none"> Indicates [ON/OFF] condition of A/T O/D according to the input signal from the TCM. 	<ul style="list-style-type: none"> For M/T models always "OFF" is displayed. 	J
AT OD CANCEL [ON/OFF]	<ul style="list-style-type: none"> Indicates [ON/OFF] condition of A/T O/D cancel request signal. 	<ul style="list-style-type: none"> For M/T models always "OFF" is displayed. 	I
CRUISE LAMP [ON/OFF]	<ul style="list-style-type: none"> Indicates [ON/OFF] condition of CRUISE lamp determined by the ECM according to the input signals. 		K
SET LAMP [ON/OFF]	<ul style="list-style-type: none"> Indicates [ON/OFF] condition of SET lamp determined by the ECM according to the input signals. 		L
EXH V/T LEARN [YET/CMPLT]	<ul style="list-style-type: none"> Display the condition of Exhaust Valve Timing Control Learning YET: Exhaust Valve Timing Control Learning has not been performed yet. CMPLT: Exhaust Valve Timing Control Learning has already been performed successfully. 		M
A/F ADJ-B1	<ul style="list-style-type: none"> Indicates the correction of factor stored in ECM. The factor is calculated from the difference between the target air-fuel ratio stored in ECM and the air-fuel ratio calculated from A/F sensor 1 signal. 		
A/F ADJ-B2			
Voltage [V]	<ul style="list-style-type: none"> Voltage, frequency, duty cycle or pulse width measured by the probe. 	<ul style="list-style-type: none"> Only "#" is displayed if item is unable to be measured. Figures with "#"s are temporary ones. They are the same figures as an actual piece of data which was just previously measured. 	
Frequency [msec], [Hz] or [%]			
DUTY-HI			
DUTY-LOW			
PLS WIDTH-HI			
PLS WIDTH-LOW			

NOTE:

Any monitored item that does not match the vehicle being diagnosed is deleted from the display automatically.

TROUBLE DIAGNOSIS

ACTIVE TEST MODE

Test Item

TEST ITEM	CONDITION	JUDGEMENT	CHECK ITEM (REMEDY)
FUEL INJECTION	<ul style="list-style-type: none"> ● Engine: Return to the original trouble condition ● Change the amount of fuel injection using CONSULT-III. 	If trouble symptom disappears, see CHECK ITEM.	<ul style="list-style-type: none"> ● Harness and connectors ● Fuel injector ● Air fuel ratio (A/F) sensor 1
IGNITION TIMING	<ul style="list-style-type: none"> ● Engine: Return to the original trouble condition ● Timing light: Set ● Retard the ignition timing using CONSULT-III. 	If trouble symptom disappears, see CHECK ITEM.	<ul style="list-style-type: none"> ● Perform Idle Air Volume Learning.
POWER BALANCE	<ul style="list-style-type: none"> ● Engine: After warming up, idle the engine. ● A/C switch OFF ● Shift lever: P or N (A/T), Neutral (M/T) ● Cut off each fuel injector signal one at a time using CONSULT-III. 	Engine runs rough or dies.	<ul style="list-style-type: none"> ● Harness and connectors ● Compression ● Fuel injector ● Power transistor ● Spark plug ● Ignition coil
COOLING FAN*	<ul style="list-style-type: none"> ● Ignition switch: ON ● Turn the cooling fan "HI", "LOW" and "OFF" using CONSULT-III. 	Cooling fan moves and stops.	<ul style="list-style-type: none"> ● Harness and connectors ● Cooling fan motor ● IPDM E/R
ENG COOLANT TEMP	<ul style="list-style-type: none"> ● Engine: Return to the original trouble condition ● Change the engine coolant temperature using CONSULT-III. 	If trouble symptom disappears, see CHECK ITEM.	<ul style="list-style-type: none"> ● Harness and connectors ● Engine coolant temperature sensor ● Fuel injector
FUEL PUMP RELAY	<ul style="list-style-type: none"> ● Ignition switch: ON (Engine stopped) ● Turn the fuel pump relay "ON" and "OFF" using CONSULT-III and listen to operating sound. 	Fuel pump relay makes the operating sound.	<ul style="list-style-type: none"> ● Harness and connectors ● Fuel pump relay
PURG VOL CONT/V	<ul style="list-style-type: none"> ● Engine: After warming up, run engine at 1,500 rpm. ● Change the EVAP canister purge volume control solenoid valve opening percent using CONSULT-III. 	Engine speed changes according to the opening percent.	<ul style="list-style-type: none"> ● Harness and connectors ● Solenoid valve
FUEL/T TEMP SEN	<ul style="list-style-type: none"> ● Change the fuel tank temperature using CONSULT-III. 		
VENT CONTROL/V	<ul style="list-style-type: none"> ● Ignition switch: ON (Engine stopped) ● Turn solenoid valve "ON" and "OFF" with the CONSULT-III and listen to operating sound. 	Solenoid valve makes an operating sound.	<ul style="list-style-type: none"> ● Harness and connectors ● Solenoid valve
INT V/T ASSIGN ANGLE	<ul style="list-style-type: none"> ● Engine: Return to the original trouble condition ● Change intake valve timing using CONSULT-III. 	If trouble symptom disappears, see CHECK ITEM.	<ul style="list-style-type: none"> ● Harness and connectors ● Intake valve timing control solenoid valve
EXH V/T ASSIGN ANGLE	<ul style="list-style-type: none"> ● Engine: Return to the original trouble condition ● Change exhaust valve timing using CONSULT-III. 	If trouble symptom disappears, see CHECK ITEM.	<ul style="list-style-type: none"> ● Harness and connectors ● Exhaust valve timing control magnet retarder

*: Leaving cooling fan "OFF" with CONSULT-III while engine is running may cause the engine to overheat.

TROUBLE DIAGNOSIS

DTC & SRT CONFIRMATION MODE

SRT STATUS Mode

For details, refer to [EC-53, "SYSTEM READINESS TEST \(SRT\) CODE"](#).

SRT WORK SUPPORT Mode

This mode enables a technician to drive a vehicle to set the SRT while monitoring the SRT status.

DTC WORK SUPPORT Mode

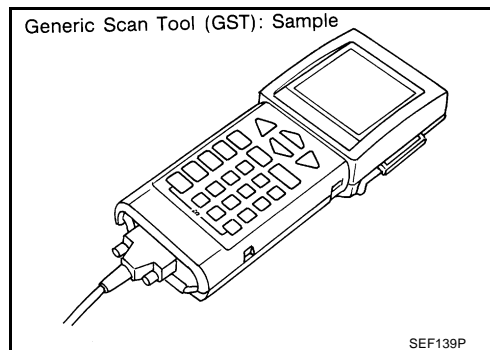
Test mode	Test item	Corresponding DTC No.	Reference page
EVAPORATIVE SYS- TEM	PURG FLOW P0441	P0441	EC-411
	EVP SML LEAK P0442/P1442*	P0442	EC-416
	EVP V/S LEAK P0456/P1456*	P0456	EC-482
	PURG VOL CN/V P1444	P0443	EC-423
A/F SEN1	A/F SEN1 (B1) P1276	P0130	EC-248
	A/F SEN1 (B1) P1278/P1279	P0133	EC-275
	A/F SEN1 (B2) P1286	P0150	EC-248
	A/F SEN1 (B2) P1288/P1289	P0153	EC-275
HO2S2	HO2S2 (B1) P0139	P0139	EC-313
	HO2S2 (B1) P1146	P0138	EC-298
	HO2S2 (B1) P1147	P0137	EC-287
	HO2S2 (B2) P0159	P0159	EC-313
	HO2S2 (B2) P1166	P0158	EC-298
	HO2S2 (B2) P1167	P0157	EC-287

*: DTC P1442 and P1456 does not apply to Z33 models but appears in DTC WORK SUPPORT Mode screens.

Generic Scan Tool (GST) Function DESCRIPTION

NBS00030

Generic Scan Tool (OBDII scan tool) complying with SAE J1978 has 8 different functions explained below. ISO9141 is used as the protocol. The name GST or Generic Scan Tool is used in this service manual.



FUNCTION

Diagnostic test mode		Function
Service \$01	READINESS TESTS	This diagnostic service gains access to current emission-related data values, including analog inputs and outputs, digital inputs and outputs, and system status information.
Service \$02	(FREEZE DATA)	This diagnostic service gains access to emission-related data value which were stored by ECM during the freeze frame. For details, refer to EC-53, "FREEZE FRAME DATA AND 1ST TRIP FREEZE FRAME DATA" .
Service \$03	DTCs	This diagnostic service gains access to emission-related power train trouble codes which were stored by ECM.

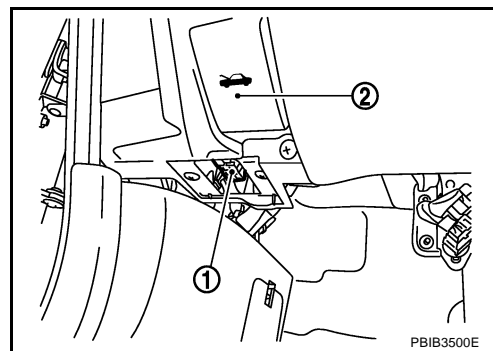
TROUBLE DIAGNOSIS

Diagnostic test mode		Function
Service \$04	CLEAR DIAG INFO	<p>This diagnostic service can clear all emission-related diagnostic information. This includes:</p> <ul style="list-style-type: none"> ● Clear number of diagnostic trouble codes (Service \$01) ● Clear diagnostic trouble codes (Service \$03) ● Clear trouble code for freeze frame data (Service \$01) ● Clear freeze frame data (Service \$02) ● Reset status of system monitoring test (Service \$01) ● Clear on board monitoring test results (Service \$06 and \$07)
Service \$06	(ON BOARD TESTS)	This diagnostic service accesses the results of on board diagnostic monitoring tests of specific components/systems that are not continuously monitored.
Service \$07	(ON BOARD TESTS)	This diagnostic service enables the off board test drive to obtain test results for emission-related powertrain components/systems that are continuously monitored during normal driving conditions.
Service \$08	—	<p>This diagnostic service can close EVAP system in ignition switch ON position (Engine stopped). When this diagnostic service is performed, EVAP canister vent control valve can be closed.</p> <p>In the following conditions, this mode cannot function.</p> <ul style="list-style-type: none"> ● Low ambient temperature ● Low battery voltage ● Engine running ● Ignition switch OFF ● Low fuel temperature ● Too much pressure is applied to EVAP system
Service \$09	(CALIBRATION ID)	This diagnostic service enables the off-board test device to request specific vehicle information such as Vehicle Identification Number (VIN) and Calibration IDs.

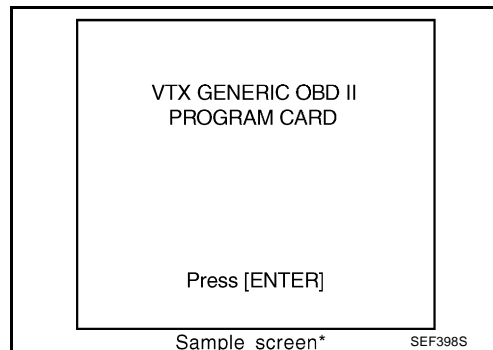
INSPECTION PROCEDURE

1. Turn ignition switch OFF.
2. Connect GST to data link connector (1), which is located under LH dash panel near the hood opener handle.

2 : Hood opener handle



3. Turn ignition switch ON.
4. Enter the program according to instruction on the screen or in the operation manual.
(*: Regarding GST screens in this section, sample screens are shown.)



TROUBLE DIAGNOSIS

5. Perform each diagnostic mode according to each service procedure.
For further information, see the GST Operation Manual of the tool maker.

OBD II FUNCTIONS

- F0: DATA LIST
- F1: FREEZE DATA
- F2: DTCS
- F3: SNAPSHOT
- F4: CLEAR DIAG INFO
- F5: O2 TEST RESULTS
- F6: READINESS TESTS**
- F7: ON BOARD TESTS
- F8: EXPAND DIAG PROT
- F9: UNIT CONVERSION

Sample screen* SEF416S

A
EC
 C
 D
 E
 F
 G
 H
 I
 J
 K
 L
 M

CONSULT-III Reference Value in Data Monitor

NBS0003P

Remarks:

- Specification data are reference values.
- Specification data are output/input values which are detected or supplied by the ECM at the connector.
- * Specification data may not be directly related to their components signals/values/operations.
 i.e. Adjust ignition timing with a timing light before monitoring IGN TIMING, because the monitor may show the specification data in spite of the ignition timing not being adjusted to the specification data. This IGN TIMING monitors the data calculated by the ECM according to the signals input from the camshaft position sensor and other ignition timing related sensors.

MONITOR ITEM	CONDITION	SPECIFICATION	
ENG SPEED	● Run engine and compare CONSULT-III value with the tachometer indication.	Almost the same speed as the tachometer indication	
MAS A/F SE-B1	See EC-132. "TROUBLE DIAGNOSIS - SPECIFICATION VALUE" .		
MAS A/F SE-B2	See EC-132. "TROUBLE DIAGNOSIS - SPECIFICATION VALUE" .		
B/FUEL SCHDL	See EC-132. "TROUBLE DIAGNOSIS - SPECIFICATION VALUE" .		
A/F ALPHA-B1 A/F ALPHA-B2	See EC-132. "TROUBLE DIAGNOSIS - SPECIFICATION VALUE" .		
COOLAN TEMP/S	● Engine: After warming up	More than 70°C (158°F)	
A/F SEN1 (B1) A/F SEN1 (B2)	● Engine: After warming up Maintaining engine speed at 2,000 rpm	Fluctuates around 2.2V	
HO2S2 (B1) HO2S2 (B2)	● Revving engine from idle to 3,000 rpm quickly after the following conditions are met – Engine: After warming up – Keeping the engine speed between 3,500 and 4,000 rpm for 1 minute and at idle for 1 minute under no load	0 - 0.3V ↔ Approx. 0.6 - 1.0V	
HO2S2 MNTR(B1) HO2S2 MNTR(B2)	● Revving engine from idle to 3,000 rpm quickly after the following conditions are met – Engine: After warming up – Keeping the engine speed between 3,500 and 4,000 rpm for 1 minute and at idle for 1 minute under no load	LEAN ↔ RICH	
VHCL SPEED SE	● Turn drive wheels and compare CONSULT-III value with the speedometer indication.	Almost the same speed as the speedometer indication	
BATTERY VOLT	● Ignition switch: ON (Engine stopped)	11 - 14V	
ACCEL SEN 1	● Ignition switch: ON (Engine stopped)	Accelerator pedal: Fully released	0.5 - 1.0V
		Accelerator pedal: Fully depressed	4.0 - 4.8V
ACCEL SEN 2*1	● Ignition switch: ON (Engine stopped)	Accelerator pedal: Fully released	0.3 - 1.2V
		Accelerator pedal: Fully depressed	3.9 - 4.8V
TP SEN 1-B1 TP SEN 2-B1*1	● Ignition switch: ON (Engine stopped) ● Shift lever: D (A/T) or 1st (M/T) position	Accelerator pedal: Fully released	More than 0.36V
		Accelerator pedal: Fully depressed	Less than 4.75V
FUEL T/TMP SE	● Ignition switch: ON	Indicates fuel tank temperature	
INT/A TEMP SE	● Ignition switch: ON	Indicates intake air temperature	

TROUBLE DIAGNOSIS

MONITOR ITEM	CONDITION		SPECIFICATION
EVAP SYS PRES	● Ignition switch: ON		Approx. 1.8 - 4.8V
FUEL LEVEL SE	● Ignition switch: ON		Depending on fuel level of fuel tank
START SIGNAL	● Ignition switch: ON → START → ON		OFF → ON → OFF
CLSD THL POS	● Ignition switch: ON (Engine stopped)	Accelerator pedal: Fully released	ON
		Accelerator pedal: Slightly depressed	OFF
AIR COND SIG	● Engine: After warming up, idle the engine	Air conditioner switch: OFF	OFF
		Air conditioner switch: ON (Compressor operates.)	ON
P/N POSI SW	● Ignition switch: ON	Shift lever: P or N (A/T), Neutral (M/T) position	ON
		Shift lever: Except above position	OFF
PW/ST SIGNAL	● Engine: After warming up, idle the engine	Steering wheel: Not being turned	OFF
		Steering wheel: Being turned	ON
LOAD SIGNAL	● Ignition switch: ON	Rear window defogger switch: ON and/or lighting switch: 2nd position	ON
		Rear window defogger switch and lighting switch: OFF	OFF
IGNITION SW	● Ignition switch: ON → OFF → ON		ON → OFF → ON
HEATER FAN SW	● Engine: After warming up, idle the engine	Heater fan switch: ON	ON
		Heater fan switch: OFF	OFF
BRAKE SW	● Ignition switch: ON	Brake pedal: Fully released	OFF
		Brake pedal: Slightly depressed	ON
INJ PULSE-B1 INJ PULSE-B2	● Engine: After warming up ● Shift lever: P or N (A/T), Neutral (M/T) position ● Air conditioner switch: OFF ● No load	Idle	2.0 - 3.0 msec
		2,000 rpm	1.9 - 2.9 msec
IGN TIMING	● Engine: After warming up ● Shift lever: P or N (A/T), Neutral (M/T) position ● Air conditioner switch: OFF ● No load	Idle	6° - 16° BTDC
		2,000 rpm	25° - 45° BTDC
CAL/LD VALUE	● Engine: After warming up ● Shift lever: P or N (A/T), Neutral (M/T) position ● Air conditioner switch: OFF ● No load	Idle	5% - 35%
		2,500 rpm	5% - 35%
MASS AIRFLOW	● Engine: After warming up ● Shift lever: P or N (A/T), Neutral (M/T) position ● Air conditioner switch: OFF ● No load	Idle	2.0 - 6.0 g·m/s
		2,500 rpm	7.0 - 20.0 g·m/s
PURG VOL C/V	● Engine: After warming up ● Shift lever: P or N (A/T), Neutral (M/T) position ● Air conditioner switch: OFF ● No load	Idle (Accelerator pedal is not depressed even slightly, after engine starting)	0%
		2,000 rpm	—

TROUBLE DIAGNOSIS

MONITOR ITEM	CONDITION	SPECIFICATION	
INT/V TIM(B1) INT/V TIM(B2)	● Engine: After warming up ● Shift lever: P or N (A/T), Neutral (M/T) position ● Air conditioner switch: OFF ● No load	Idle 2,000 rpm	-5° - 5°C Approx. 0° - 30°C
	● Engine: After warming up ● Shift lever: P or N (A/T), Neutral (M/T) position ● Air conditioner switch: OFF ● No load	Idle Around 2,500 rpm while the engine speed is rising	-5° - 5°C Approx. 0° - 30°C
INT/V SOL(B1) INT/V SOL(B2)	● Engine: After warming up ● Shift lever: P or N (A/T), Neutral (M/T) position ● Air conditioner switch: OFF ● No load	Idle 2,000 rpm	0% - 2% Approx. 0% - 50%
	● Engine: After warming up ● Shift lever: P or N (A/T), Neutral (M/T) position ● Air conditioner switch: OFF ● No load	Idle Around 2,500 rpm while the engine speed is rising	0% - 2% Approx. 0% - 70%
TP SEN 1-B2 TP SEN 2-B2*1	● Ignition switch: ON (Engine stopped)	Accelerator pedal: Fully released	More than 0.36V
	● Shift lever: D (A/T) or 1st (M/T) position	Accelerator pedal: Fully depressed	Less than 4.75V
AIR COND RLY	● Engine: After warming up, idle the engine	Air conditioner switch: OFF	OFF
		Air conditioner switch: ON (Compressor operates)	ON
FUEL PUMP RLY	● For 1 second after turning ignition switch ON ● Engine running or cranking		ON
	● Except above conditions		OFF
VENT CONT/V	● Ignition switch: ON		OFF
THRTL RELAY	● Ignition switch: ON		ON
COOLING FAN	● Engine: After warming up, idle the engine ● Air conditioner switch: OFF	Engine coolant temperature is 97°C (206°F) or less	OFF
		Engine coolant temperature is between 98°C (208°F) and 99°C (210°F)	LOW
		Engine coolant temperature is 100°C (212°F) or more	HI
HO2S2 HTR (B1) HO2S2 HTR (B2)	● Engine speed: Below 3,600 rpm after the following conditions are met. - Engine: After warming up - Keeping the engine speed between 3,500 and 4,000 rpm for 1 minute and at idle for 1 minute under no load		ON
	● Engine speed: Above 3,600 rpm		OFF
I/P PULLY SPD	● Vehicle speed: More than 20 km/h (12 MPH)		Almost the same speed as the tachometer indication
VEHICLE SPEED	● Turn drive wheels and compare CONSULT-III value with the speedometer indication.		Almost the same speed as the speedometer indication

TROUBLE DIAGNOSIS

MONITOR ITEM	CONDITION		SPECIFICATION
IDL A/V LEARN	● Engine: Running	Idle air volume learning has not been performed yet.	YET
		Idle air volume learning has already been performed successfully.	CMPLT
ENG OIL TEMP	● Engine: After warming up		More than 70°C (158°F)
TRVL AFTER MIL	● Ignition switch: ON	Vehicle has traveled after MIL has turned ON.	0 - 65,535 km (0 - 40,723 mile)
A/F S1 HTR(B1) A/F S1 HTR(B2)	● Engine: After warming up, idle the engine (More than 140 seconds after starting engine)		4 - 100%
AC PRESS SEN	● Engine: Idle ● Both A/C switch and blower switch are ON. (Compressor operates.)		1.0 - 4.0V
VHCL SPEED SE	● Turn drive wheels and compare CONSULT-III value with the speedometer indication.		Almost the same speed as the speedometer indication
SET VHCL SPD	● Engine: Running	ASCD: Operating	The preset vehicle speed is displayed.
MAIN SW	● Ignition switch: ON	MAIN switch: Pressed	ON
		MAIN switch: Released	OFF
CANCEL SW	● Ignition switch: ON	CANCEL switch: Pressed	ON
		CANCEL switch: Released	OFF
RESUME/ACC SW	● Ignition switch: ON	RESUME/ACCELERATE switch: Pressed	ON
		RESUME/ACCELERATE switch: Released	OFF
SET SW	● Ignition switch: ON	SET/COAST switch: Pressed	ON
		SET/COAST switch: Released	OFF
BRAKE SW1 (ASCD brake switch)	● Ignition switch: ON	● Brake pedal: Fully released (A/T) ● Brake pedal and clutch pedal: Fully released (M/T)	ON
		● Brake pedal: Slightly depressed (A/T) ● Brake pedal and/or clutch pedal: Slightly depressed (M/T)	OFF
BRAKE SW2 (Stop lamp switch)	● Ignition switch: ON	Brake pedal: Fully released	OFF
		Brake pedal: Slightly depressed	ON
VHCL SPD CUT	● Ignition switch: ON		NON
LO SPEED CUT	● Ignition switch: ON		NON
AT OD MONITOR	● Ignition switch: ON		OFF
AT OD CANSEL	● Ignition switch: ON		OFF
CRUISE LAMP	● Ignition switch: ON	MAIN switch: Pressed at the 1st time → at the 2nd time	ON → OFF
SET LAMP	● MAIN switch: ON ● When vehicle speed is between 40 km/h (25 MPH) and 144 km/h (89MPH)	ASCD: Operating	ON
		ASCD: Not operating	OFF
EXH V/T LEARN	● Engine: Running	Exhaust Valve Timing Control Learning has not been performed yet.	YET
		Exhaust Valve Timing Control Learning has not been performed yet.	CMPLT
A/F ADJ B1	● Engine: Running		-0.330 - 0.330
A/F ADJ B2	● Engine: Running		-0.330 - 0.330

TROUBLE DIAGNOSIS

*1: Accelerator pedal position sensor 2 signal and throttle position sensor 2 signal are converted by ECM internally. Thus, they differ from ECM terminals voltage signal.

A

EC

C

D

E

F

G

H

I

J

K

L

M

TROUBLE DIAGNOSIS - SPECIFICATION VALUE

PFP:00031

Description

NBS0003R

The specification (SP) value indicates the tolerance of the value that is displayed in "SPEC" in "DATA MONITOR" mode of CONSULT-III during normal operation of the Engine Control System. When the value in "SPEC" in "DATA MONITOR" mode is within the SP value, the Engine Control System is confirmed OK. When the value in "SPEC" in "DATA MONITOR" mode is NOT within the SP value, the Engine Control System may have one or more malfunctions.

The SP value is used to detect malfunctions that may affect the Engine Control System, but will not light the MIL.

The SP value will be displayed for the following three items:

- B/FUEL SCHDL (The fuel injection pulse width programmed into ECM prior to any learned on board correction)
- A/F ALPHA-B1/B2 (The mean value of air-fuel ratio feedback correction factor per cycle)
- MAS A/F SE-B1/B2 (The signal voltage of the mass air flow sensor)

Testing Condition

NBS0003S

- Vehicle driven distance: More than 5,000 km (3,107 miles)
- Barometric pressure: 98.3 - 104.3 kPa (1.003 - 1.064 kg/cm² , 14.25 - 15.12 psi)
- Atmospheric temperature: 20 - 30°C (68 - 86°F)
- Engine coolant temperature: 75 - 95°C (167 - 203°F)
- Transmission: Warmed-up
 - For A/T models: After the engine is warmed up to normal operating temperature, drive vehicle until "ATF TEMP 1" (A/T fluid temperature sensor signal) indicates more than 60°C (140°F).
 - For M/T models: After the engine is warmed up to normal operating temperature, drive vehicle for 5 minutes.
- Electrical load: Not applied
 - Rear window defogger switch, air conditioner switch, lighting switch are OFF. Steering wheel is straight ahead.
- Engine speed: Idle

Inspection Procedure

NBS0003T

NOTE:

Perform "SPEC" in "DATA MONITOR" mode in maximum scale display.

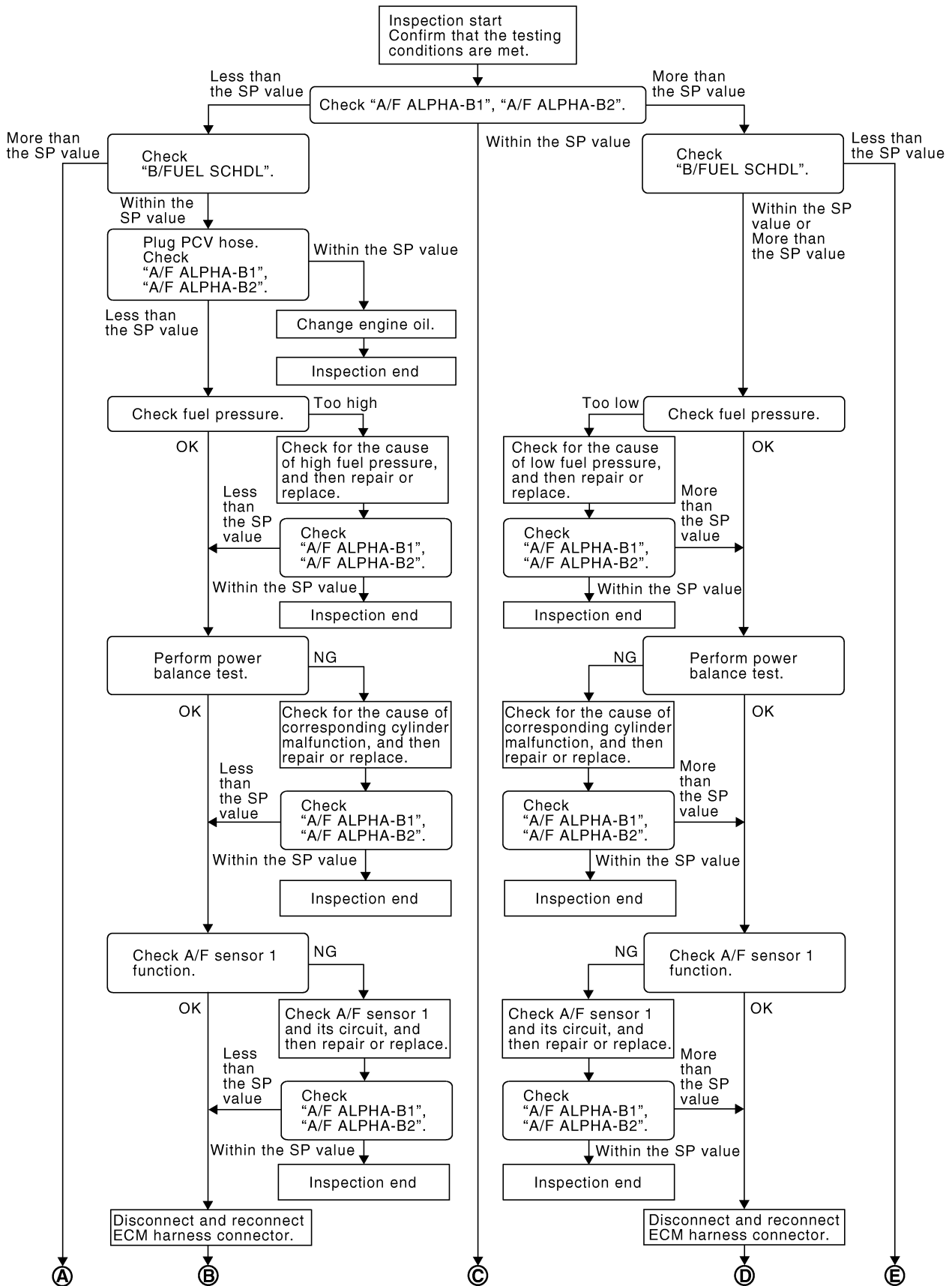
1. Perform [EC-71, "Basic Inspection"](#) .
2. Confirm that the testing conditions indicated above are met.
3. Select "B/FUEL SCHDL", "A/F ALPHA-B1", "A/F ALPHA-B2", "MAS A/F SE-B1" and "MAS A/F SE-B2" in "SPEC" of "DATA MONITOR" mode with CONSULT-III.
4. Make sure that monitor items are within the SP value.
5. If NG, go to [EC-133, "Diagnostic Procedure"](#) .

TROUBLE DIAGNOSIS - SPECIFICATION VALUE

Diagnostic Procedure OVERALL SEQUENCE

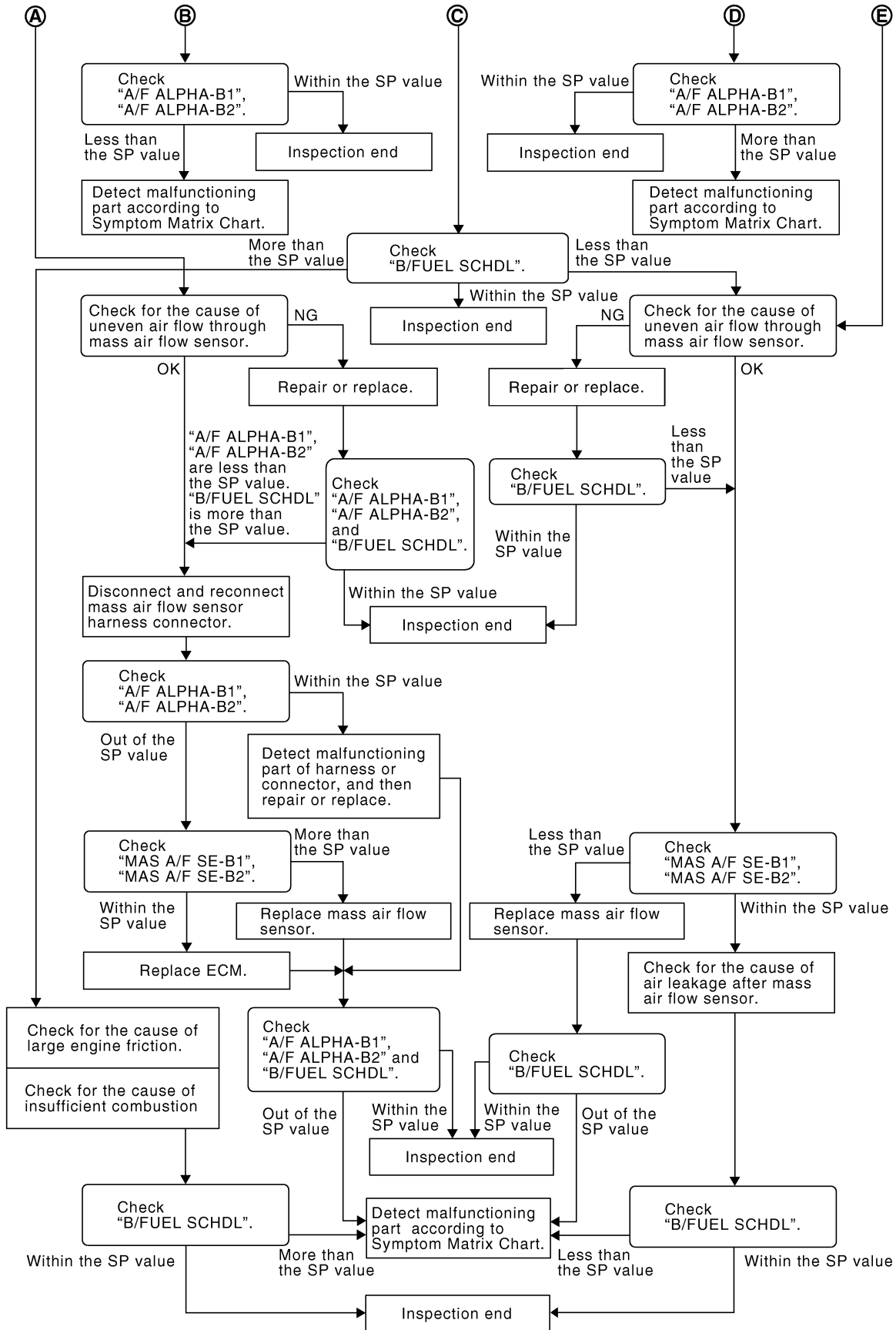
NBS0003U

A
EC
C
D
E
F
G
H
I
J
K
L
M



PBIB2268E

TROUBLE DIAGNOSIS - SPECIFICATION VALUE



PBIB3531E

TROUBLE DIAGNOSIS - SPECIFICATION VALUE

DETAILED PROCEDURE

1. CHECK "A/F ALPHA-B1", "A/F ALPHA-B2"

1. Start engine.
2. Confirm that the testing conditions are met. Refer to [EC-132, "Testing Condition"](#) .
3. Select "A/F ALPHA-B1", "A/F ALPHA-B2" in "SPEC" in mode, and make sure that the each indication is within the SP value.

NOTE:

Check "A/F ALPHA-B1", "A/F ALPHA-B2" for approximately 1 minute because they may fluctuate. It is NG if the indication is out of the SP value even a little.

OK or NG

- OK >> GO TO 17.
NG (Less than the SP value)>>GO TO 2.
NG (More than the SP value)>>GO TO 3.

2. CHECK "B/FUEL SCHDL"

Select "B/FUEL SCHDL" in "SPEC" of "DATA MONITOR" mode, and make sure that the indication is within the SP value.

OK or NG

- OK >> GO TO 4.
NG (More than the SP value)>>GO TO 19.

3. CHECK "B/FUEL SCHDL"

Select "B/FUEL SCHDL" in "SPEC" of "DATA MONITOR" mode, and make sure that the indication is within the SP value.

OK or NG

- OK >> GO TO 6.
NG (More than the SP value)>>GO TO 6.
NG (Less than the SP value)>>GO TO 25.

4. CHECK "A/F ALPHA-B1", "A/F ALPHA-B2"

1. Stop the engine.
2. Disconnect PCV hose, and then plug it.
3. Start engine.
4. Select "A/F ALPHA-B1", "A/F ALPHA-B2" in "SPEC" of "DATA MONITOR" mode, and make sure that the each indication is within the SP value.

OK or NG

- OK >> GO TO 5.
NG >> GO TO 6.

5. CHANGE ENGINE OIL

1. Stop the engine.
2. Change engine oil.

NOTE:

This symptom may occur when a large amount of gasoline is mixed with engine oil because of driving conditions (such as when engine oil temperature does not rise enough since a journey distance is too short during winter). The symptom will not be detected after changing engine oil or changing driving condition.

>> INSPECTION END

TROUBLE DIAGNOSIS - SPECIFICATION VALUE

6. CHECK FUEL PRESSURE

Check fuel pressure. (Refer to [EC-79, "Fuel Pressure Check"](#) .)

OK or NG

OK >> GO TO 9.

NG (Fuel pressure is too high)>>Replace fuel pressure regulator, refer to [EC-79, "Fuel Pressure Check"](#) .
GO TO 8.

NG (Fuel pressure is too low)>>GO TO 7.

7. DETECT MALFUNCTIONING PART

1. Check the following.
 - Clogged and bent fuel hose and fuel tube
 - Clogged fuel filter
 - Fuel pump and its circuit (Refer to [EC-691, "FUEL PUMP"](#) .)
2. If NG, repair or replace the malfunctioning part. (Refer to [EC-79, "Fuel Pressure Check"](#) .)
If OK, replace fuel pressure regulator.

>> GO TO 8.

8. CHECK "A/F ALPHA-B1", "A/F ALPHA-B2"

1. Start engine.
2. Select "A/F ALPHA-B1", "A/F ALPHA-B2" in "SPEC" of "DATA MONITOR" mode, and make sure that the each indication is within the SP value.

OK or NG

OK >> **INSPECTION END**

NG >> GO TO 9.

9. PERFORM POWER BALANCE TEST

1. Perform "POWER BALANCE" in "ACTIVE TEST" mode.
2. Make sure that the each cylinder produces a momentary engine speed drop.

OK or NG

OK >> GO TO 12.

NG >> GO TO 10.

10. DETECT MALFUNCTIONING PART

1. Check the following.
 - Ignition coil and its circuit (Refer to [EC-698, "IGNITION SIGNAL"](#) .)
 - Fuel injector and its circuit (Refer to [EC-686, "FUEL INJECTOR"](#) .)
 - Intake air leakage
 - Low compression pressure (Refer to [EM-89, "CHECKING COMPRESSION PRESSURE"](#) .)
2. If NG, repair or replace the malfunctioning part.
If OK, replace fuel injector. (It may be caused by leakage from fuel injector or clogging.)

>> GO TO 11.

TROUBLE DIAGNOSIS - SPECIFICATION VALUE

11. CHECK "A/F ALPHA-B1", "A/F ALPHA-B2"

1. Start engine.
2. Select "A/F ALPHA-B1", "A/F ALPHA-B2" in "SPEC" of "DATA MONITOR" mode, and make sure that the each indication is within the SP value.

OK or NG

OK >> **INSPECTION END**

NG >> GO TO 12.

12. CHECK A/F SENSOR 1 FUNCTION

Perform all DTC Confirmation Procedure related with A/F sensor 1.

- For DTC P0130, P0150, refer to [EC-248, "DTC Confirmation Procedure"](#) .
- For DTC P0131, P0151, refer to [EC-267, "DTC Confirmation Procedure"](#) .
- For DTC P0132, P0152, refer to [EC-660, "DTC Confirmation Procedure"](#) .
- For DTC P0133, P0153, refer to [EC-276, "DTC Confirmation Procedure"](#) .
- For DTC P2A00, P2A03, refer to [EC-660, "DTC Confirmation Procedure"](#) .

OK or NG

OK >> GO TO 15.

NG >> GO TO 13.

13. CHECK A/F SENSOR 1 CIRCUIT

Perform Diagnostic Procedure according to corresponding DTC.

>> GO TO 14.

14. CHECK "A/F ALPHA-B1", "A/F ALPHA-B2"

1. Start engine.
2. Select "A/F ALPHA-B1", "A/F ALPHA-B2" in "SPEC" of "DATA MONITOR" mode, and make sure that the each indication is within the SP value.

OK or NG

OK >> **INSPECTION END**

NG >> GO TO 15.

15. DISCONNECT AND RECONNECT ECM HARNESS CONNECTOR

1. Stop the engine.
2. Disconnect ECM harness connector. Check pin terminal and connector for damage, and then reconnect it.

>> GO TO 16.

16. CHECK "A/F ALPHA-B1", "A/F ALPHA-B2"

1. Start engine.
2. Select "A/F ALPHA-B1", "A/F ALPHA-B2" in "SPEC" of "DATA MONITOR" mode, and make sure that the each indication is within the SP value.

OK or NG

OK >> **INSPECTION END**

NG >> Detect malfunctioning part according to [EC-90, "Symptom Matrix Chart"](#) .

TROUBLE DIAGNOSIS - SPECIFICATION VALUE

17. CHECK "B/FUEL SCHDL"

Select "B/FUEL SCHDL" in "SPEC" of "DATA MONITOR" mode, and make sure that the indication is within the SP value.

OK or NG

OK >> **INSPECTION END**

NG (More than the SP value)>>GO TO 18.

NG (Less than the SP value)>>GO TO 25.

18. DETECT MALFUNCTIONING PART

1. Check for the cause of large engine friction. Refer to the following.
 - Engine oil level is too high
 - Engine oil viscosity
 - Belt tension of power steering, alternator, A/C compressor, etc. is excessive
 - Noise from engine
 - Noise from transmission, etc.
2. Check for the cause of insufficient combustion. Refer to the following.
 - Valve clearance malfunction
 - Intake valve timing control function malfunction
 - Camshaft sprocket installation malfunction, etc.

>> Repair or replace malfunctioning part, and then GO TO 30.

19. CHECK INTAKE SYSTEM

Check for the cause of uneven air flow through mass air flow sensor. Refer to the following.

- Crushed air ducts
- Malfunctioning seal of air cleaner element
- Uneven dirt of air cleaner element
- Improper specification of intake air system

OK or NG

OK >> GO TO 21.

NG >> Repair or replace malfunctioning part, and then GO TO 20.

20. CHECK "A/F ALPHA-B1", "A/F ALPHA-B2", AND "B/FUEL SCHDL"

Select "A/F ALPHA-B1", "A/F ALPHA-B2", and "B/FUEL SCHDL" in "SPEC" of "DATA MONITOR" mode, and make sure that the each indication is within the SP value.

OK or NG

OK >> **INSPECTION END**

NG ("B/FUEL SCHDL" is more, "A/F ALPHA-B1", "A/F ALPHA-B2" are less than the SP value)>>GO TO 21.

21. DISCONNECT AND RECONNECT MASS AIR FLOW SENSOR HARNESS CONNECTOR

1. Stop the engine.
2. Disconnect mass air flow sensor harness connector. Check pin terminal and connector for damage and then reconnect it again.

>> GO TO 22.

TROUBLE DIAGNOSIS - SPECIFICATION VALUE

22. CHECK "A/F ALPHA-B1", "A/F ALPHA-B2"

1. Start engine.
2. Select "A/F ALPHA-B1", "A/F ALPHA-B2" in "SPEC" of "DATA MONITOR" mode, and make sure that the each indication is within the SP value.

OK or NG

- OK >> 1. Detect malfunctioning part of mass air flow sensor circuit and repair it.
Refer to [EC-197, "DTC P0101, P010B MAF SENSOR"](#) .
2. GO TO 29.
- NG >> GO TO 23.

23. CHECK "MAS A/F SE-B1", "MAS A/F SE-B2"

Select "MAS A/F SE-B1", "MAS A/F SE-B2" in "SPEC" of "DATA MONITOR" mode, and make sure that the indication is within the SP value.

OK or NG

- OK >> GO TO 24.
- NG (More than the SP value)>>Replace mass air flow sensor, and then GO TO 29.

24. REPLACE ECM

1. Replace ECM.
2. Perform initialization of NVIS(NATS) system and registration of all NVIS(NATS) ignition key IDs.
Refer to [BL-152, "ECM Re-communicating Function"](#) .
3. Perform [EC-76, "VIN Registration"](#) .
4. Perform [EC-76, "Exhaust Valve Timing Control Learning"](#) .
5. Perform [EC-77, "Accelerator Pedal Released Position Learning"](#) .
6. Perform [EC-77, "Throttle Valve Closed Position Learning"](#) .
7. Perform [EC-77, "Idle Air Volume Learning"](#) .

>> GO TO 29.

25. CHECK INTAKE SYSTEM

Check for the cause of uneven air flow through mass air flow sensor. Refer to the following.

- Crushed air ducts
- Malfunctioning seal of air cleaner element
- Uneven dirt of air cleaner element
- Improper specification of intake air system

OK or NG

- OK >> GO TO 27.
- NG >> Repair or replace malfunctioning part, and then GO TO 26.

26. CHECK "B/FUEL SCHDL"

Select "B/FUEL SCHDL" in "SPEC" of "DATA MONITOR" mode, and make sure that the indication is within the SP value.

OK or NG

- OK >> **INSPECTION END**
- NG (Less than the SP value)>>GO TO 27.

TROUBLE DIAGNOSIS - SPECIFICATION VALUE

27. CHECK "MAS A/F SE-B1", "MAS A/F SE-B2"

Select "MAS A/F SE-B1", "MAS A/F SE-B2" in "SPEC" of "DATA MONITOR" mode, and make sure that the indication is within the SP value.

OK or NG

OK >> GO TO 28.

NG (Less than the SP value)>>Replace mass air flow sensor, and then GO TO 30.

28. CHECK INTAKE SYSTEM

Check for the cause of air leak after the mass air flow sensor. Refer to the following.

- Disconnection, looseness, and cracks in air duct
- Looseness of oil filler cap
- Disconnection of oil level gauge
- Open stuck, breakage, hose disconnection, or cracks of PCV valve
- Disconnection or cracks of EVAP purge hose, open stuck of EVAP canister purge volume control solenoid valve
- Malfunctioning seal of rocker cover gasket
- Disconnection, looseness, or cracks of hoses, such as vacuum hose, connecting to intake air system parts
- Malfunctioning seal of intake air system, etc.

>> GO TO 30.

29. CHECK "A/F ALPHA-B1", "A/F ALPHA-B2", AND "B/FUEL SCHDL"

Select "A/F ALPHA-B1", "A/F ALPHA-B2", and "B/FUEL SCHDL" in "SPEC" of "DATA MONITOR" mode, and make sure that the each indication is within the SP value.

OK or NG

OK >> **INSPECTION END**

NG >> Detect malfunctioning part according to [EC-90. "Symptom Matrix Chart"](#) .

30. CHECK "B/FUEL SCHDL"

Select "B/FUEL SCHDL" in "SPEC" of "DATA MONITOR" mode, and then make sure that the indication is within the SP value.

OK or NG

OK >> **INSPECTION END**

NG >> Detect malfunctioning part according to [EC-90. "Symptom Matrix Chart"](#) .

TROUBLE DIAGNOSIS FOR INTERMITTENT INCIDENT

TROUBLE DIAGNOSIS FOR INTERMITTENT INCIDENT

PFP:00006

Description

NBS0003V

Intermittent incidents may occur. In many cases, the malfunction resolves itself (the part or circuit function returns to normal without intervention). It is important to realize that the symptoms described in the customer's complaint often do not recur on (1st trip) DTC visits. Realize also that the most frequent cause of intermittent incidents occurrences is poor electrical connections. Because of this, the conditions under which the incident occurred may not be clear. Therefore, circuit checks made as part of the standard diagnostic procedure may not indicate the specific malfunctioning area.

Common intermittent incidents Report Situations

STEP in Work Flow	Situation
2	The CONSULT-III is used. The SELF-DIAG RESULTS screen shows time data other than [0] or [1t].
3 or 4	The symptom described by the customer does not recur.
5	(1st trip) DTC does not appear during the DTC Confirmation Procedure.
10	The Diagnostic Procedure for PXXXX does not indicate the malfunctioning area.

Diagnostic Procedure

NBS0003W

1. INSPECTION START

Erase (1st trip) DTCs.

Refer to [EC-61, "HOW TO ERASE EMISSION-RELATED DIAGNOSTIC INFORMATION"](#).

>> GO TO 2.

2. CHECK GROUND TERMINALS

Check ground terminals for corroding or loose connection.

Refer to [EC-150, "Ground Inspection"](#).

OK or NG

OK >> GO TO 3.

NG >> Repair or replace.

3. SEARCH FOR ELECTRICAL INCIDENT

Perform [GI-27, "How to Perform Efficient Diagnosis for an Electrical Incident"](#), "INCIDENT SIMULATION TESTS".

OK or NG

OK >> GO TO 4.

NG >> Repair or replace.

4. CHECK CONNECTOR TERMINALS

Refer to [GI-24, "How to Check Terminal"](#), "HOW TO PROBE CONNECTORS", "How to Check Enlarged Contact Spring of Terminal".

OK or NG

OK >> **INSPECTION END**

NG >> Repair or replace connector.

POWER SUPPLY AND GROUND CIRCUIT

POWER SUPPLY AND GROUND CIRCUIT

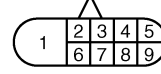
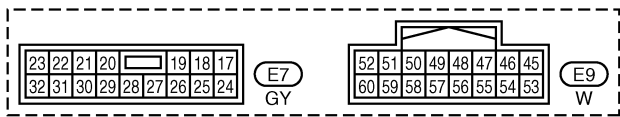
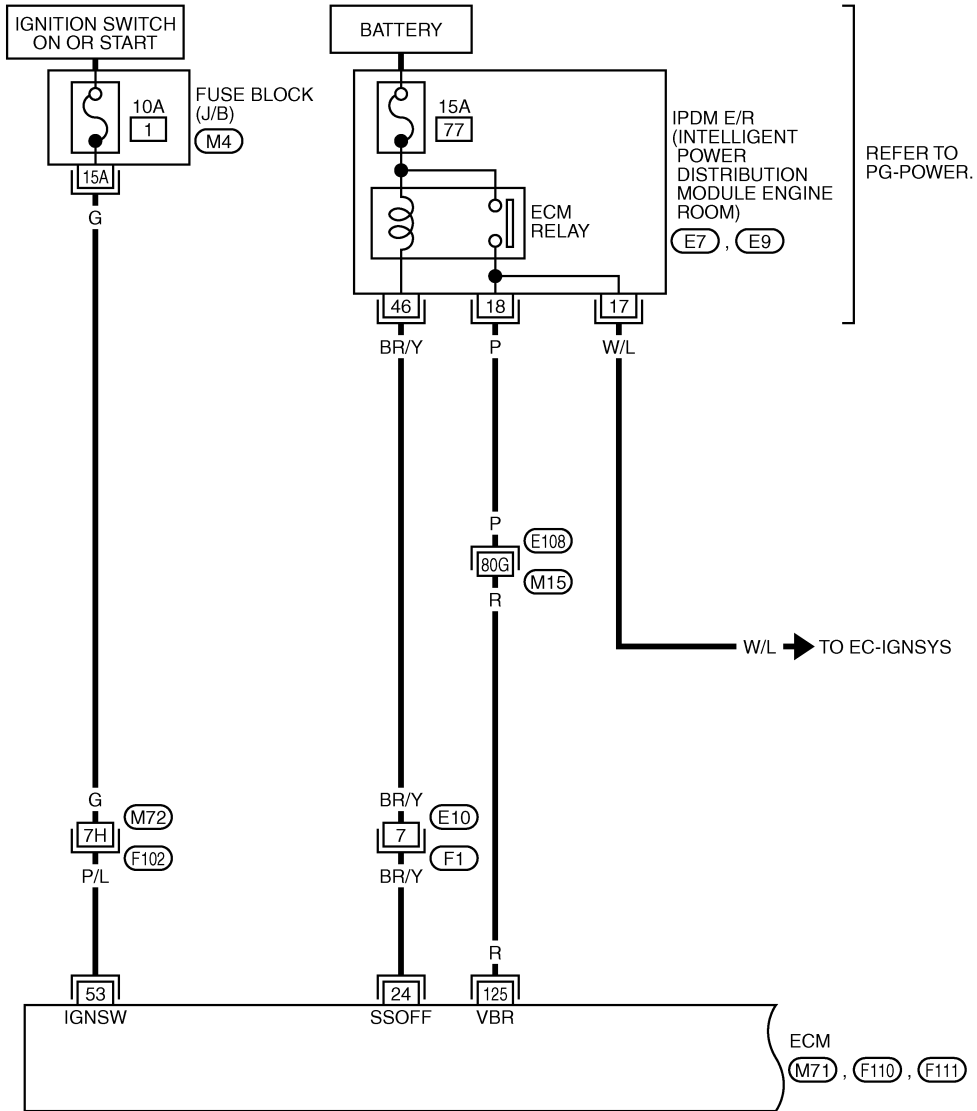
PPF:24110

Wiring Diagram

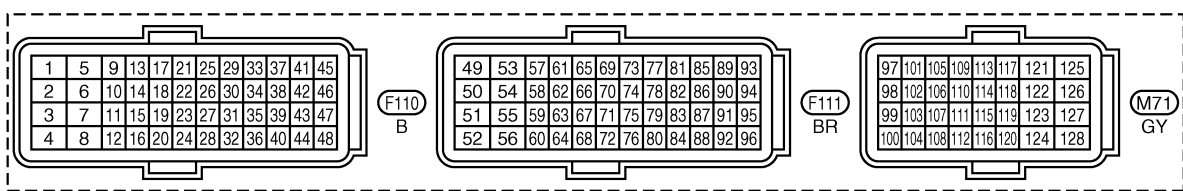
NBS0003X

EC-MAIN-01

— : DETECTABLE LINE FOR DTC
 — : NON-DETECTABLE LINE FOR DTC



REFER TO THE FOLLOWING.
 (E108), (F102) -SUPER MULTIPLE JUNCTION (SMJ)
 (M4) -FUSE BLOCK-JUNCTION BOX (J/B)



TBWT1614E

POWER SUPPLY AND GROUND CIRCUIT

Specification data are reference values and are measured between each terminal and ground.

CAUTION:

Do not use ECM ground terminals when measuring input/output voltage. Doing so may result in damage to the ECM's transistor. Use a ground other than ECM terminals, such as the ground.

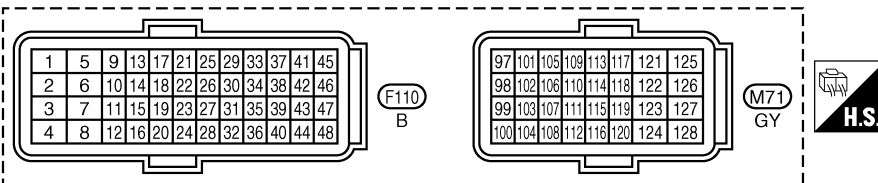
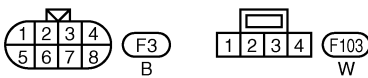
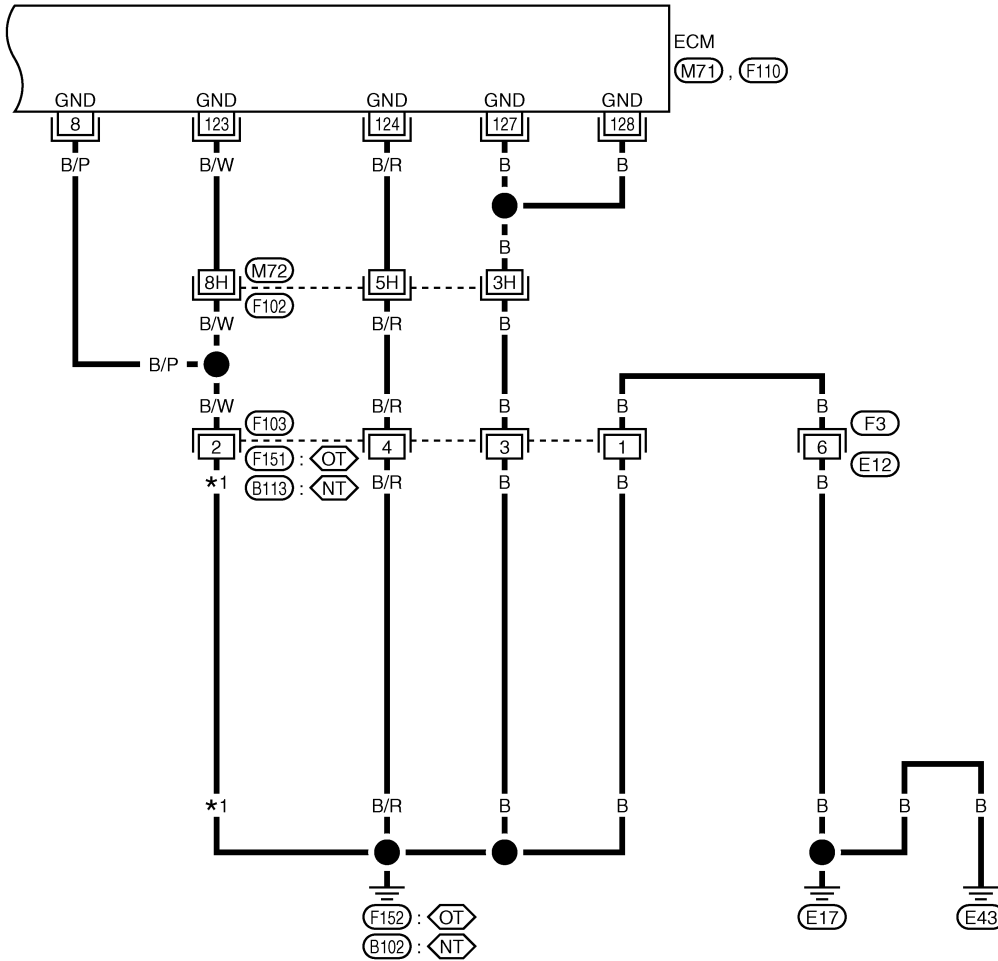
TER-MINAL NO.	WIRE COLOR	ITEM	CONDITION	DATA (DC Voltage)
24	BR/Y	ECM relay (Self shut-off)	[Engine is running] [Ignition switch: OFF] ● For a few seconds after turning ignition switch OFF	0 - 1.5V
			[Ignition switch: OFF] ● More than a few seconds after turning ignition switch OFF	BATTERY VOLTAGE (11 - 14V)
53	P/L	Ignition switch	[Ignition switch: OFF]	0V
			[Ignition switch: ON]	BATTERY VOLTAGE (11 - 14V)
125	R	Power supply for ECM	[Ignition switch: ON]	BATTERY VOLTAGE (11 - 14V)

A
EC
C
D
E
F
G
H
I
J
K
L
M

POWER SUPPLY AND GROUND CIRCUIT

EC-MAIN-02

- : DETECTABLE LINE FOR DTC
- : NON-DETECTABLE LINE FOR DTC
- ◊NT◊ : WITH VDC SYSTEM, NAVIGATION SYSTEM OR TELEPHONE
- ◊OT◊ : WITHOUT VDC SYSTEM, NAVIGATION SYSTEM AND TELEPHONE
- *1 B : ◊NT◊
- B/W : ◊OT◊



REFER TO THE FOLLOWING.
 ◊F102◊ -SUPER MULTIPLE JUNCTION (SMJ)

TBWT1615E

POWER SUPPLY AND GROUND CIRCUIT

Specification data are reference values and are measured between each terminal and ground.

CAUTION:

Do not use ECM ground terminals when measuring input/output voltage. Doing so may result in damage to the ECM's transistor. Use a ground other than ECM terminals, such as the ground.

TER-MINAL NO.	WIRE COLOR	ITEM	CONDITION	DATA (DC Voltage)
8	B/P	ECM ground	[Engine is running] ● Idle speed	Body ground
123 124	B/W B/R	ECM ground	[Engine is running] ● Idle speed	Body ground
127 128	B B	ECM ground	[Engine is running] ● Idle speed	Body ground

Diagnostic Procedure

NBS0003Y

1. INSPECTION START

Start engine.

Is engine running?

Yes or No

- Yes >> GO TO 8.
- No >> GO TO 2.

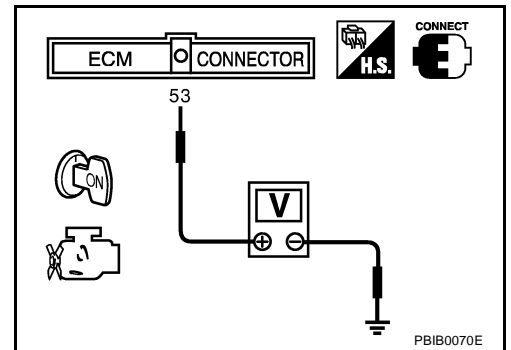
2. CHECK ECM POWER SUPPLY CIRCUIT-I

1. Turn ignition switch OFF and then ON.
2. Check voltage between ECM terminal 53 and ground with CONSULT-III or tester.

Voltage: Battery voltage

OK or NG

- OK >> GO TO 4.
- NG >> GO TO 3.



3. DETECT MALFUNCTIONING PART

Check the following.

- Harness connectors M72, F102
- Fuse block (J/B) connector M4
- 10A fuse
- Harness for open or short between ECM and fuse

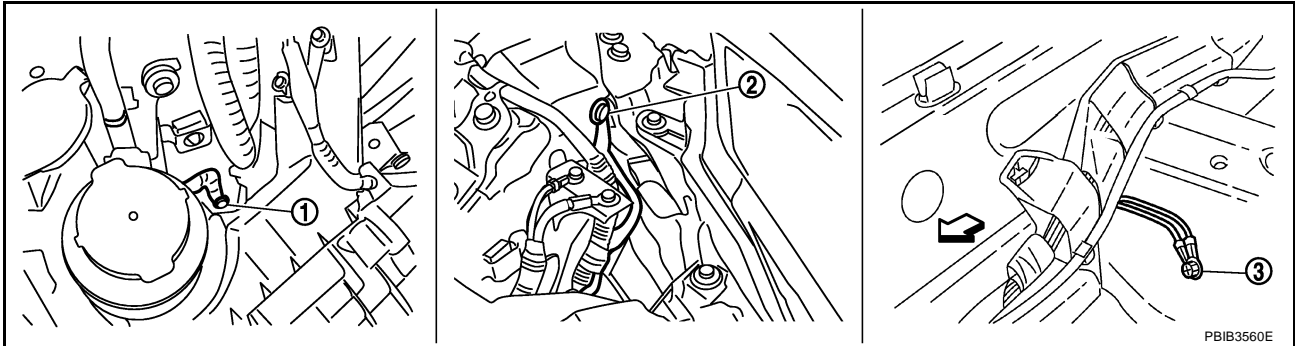
>> Repair open circuit or short to ground or short to power in harness or connectors.

POWER SUPPLY AND GROUND CIRCUIT

4. CHECK GROUND CONNECTIONS

Models with VDC system, navigation system or telephone

1. Turn ignition switch OFF.
2. Loosen and retighten ground screws on the body. Refer to [EC-150, "Ground Inspection"](#).



1. Body ground E17

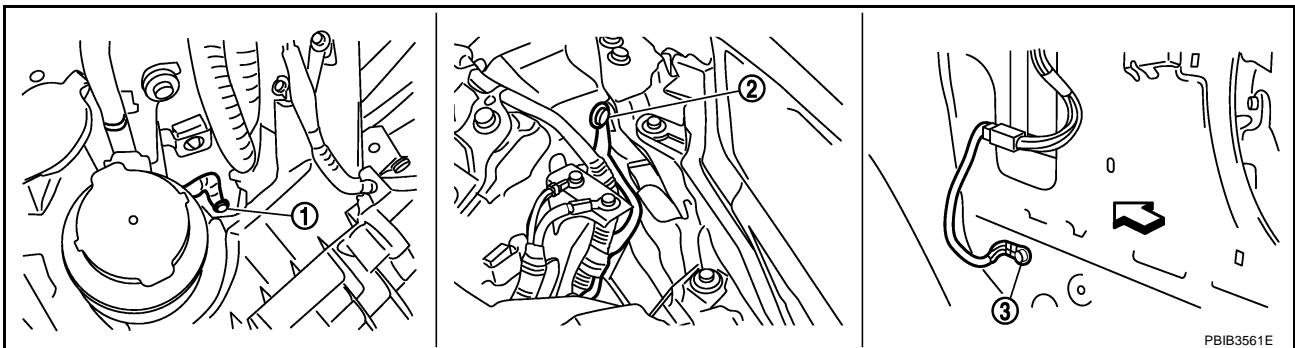
2. Body ground E43

3. Body ground B102

↔ Vehicle front

Models without VDC system, navigation system and telephone

1. Turn ignition switch OFF.
2. Loosen and retighten ground screws on the body. Refer to [EC-150, "Ground Inspection"](#).



1. Body ground E17

2. Body ground E43

3. Body ground F152
(Passenger side view with dash side
finisher removed)

↔ Vehicle front

OK or NG

- OK >> GO TO 5.
NG >> Repair or replace ground connections.

5. CHECK ECM GROUND CIRCUIT FOR OPEN AND SHORT-I

1. Disconnect ECM harness connector.
2. Check harness continuity between ECM terminals 8, 123, 124, 127, 128 and ground. Refer to Wiring Diagram.

Continuity should exist.

3. Also check harness for short to power.

OK or NG

- OK >> GO TO 7.
NG >> GO TO 6.

POWER SUPPLY AND GROUND CIRCUIT

6. DETECT MALFUNCTIONING PART

Check the following.

- Harness connectors M72, F102
- Harness connectors F103, B113 (Models with VDC system, navigation system or telephone) or F151 (Models without VDC system, navigation system and telephone)
- Harness connectors F3, E12
- Harness for open or short between ECM and ground

>> Repair open circuit or short to power in harness or connectors.

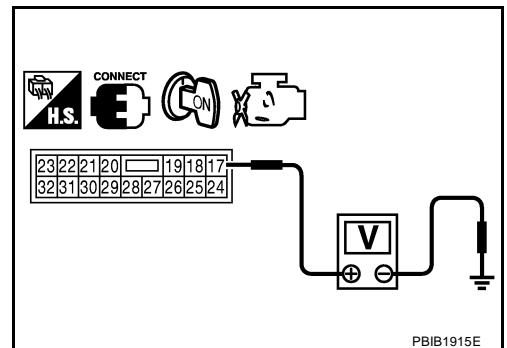
7. CHECK ECM POWER SUPPLY CIRCUIT-II

1. Reconnect ECM harness connector disconnected.
2. Turn ignition switch ON.
3. Check voltage between IPDM E/R terminal 17 and ground with CONSULT-III or tester.

Voltage: Battery voltage

OK or NG

- OK >> Go to [EC-698, "IGNITION SIGNAL"](#) .
NG >> GO TO 8.



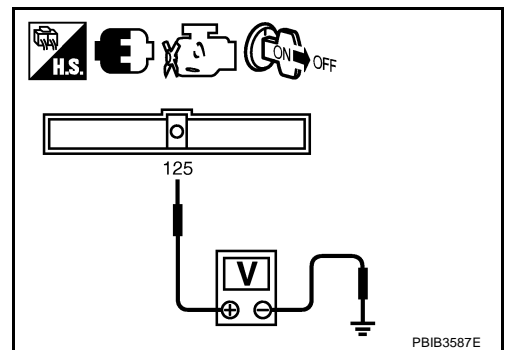
8. CHECK ECM POWER SUPPLY CIRCUIT-III

1. Turn ignition switch OFF and wait at least 10 seconds.
2. Turn ignition switch ON and then OFF.
3. Check voltage between ECM terminal 125 and ground with CONSULT-III or tester.

Voltage: After turning ignition switch OFF, battery voltage will exist for a few seconds, then drop approximately 0V.

OK or NG

- OK >> GO TO 15.
NG (Battery voltage does not exist.)>>GO TO 9.
NG (Battery voltage exists for more than a few seconds.)>>GO TO 12.



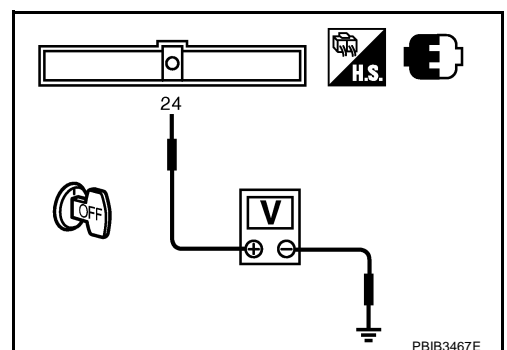
9. CHECK ECM POWER SUPPLY CIRCUIT-IV

Check voltage between ECM terminal 24 and ground with CONSULT-III or tester.

Voltage: Battery voltage

OK or NG

- OK >> GO TO 10.
NG >> GO TO 12.



POWER SUPPLY AND GROUND CIRCUIT

10. CHECK ECM POWER SUPPLY CIRCUIT-V

1. Disconnect ECM harness connector.
2. Disconnect IPDM E/R harness connector E7.
3. Check harness continuity between ECM terminals 125 and IPDM E/R terminal 18.
Refer to Wiring Diagram.

Continuity should exist.

4. Also check harness for short to ground and short to power.

OK or NG

- OK >> GO TO 18.
NG >> GO TO 11.

11. DETECT MALFUNCTIONING PART

Check the following.

- Harness or connectors E108, M15
- Harness for open or short between ECM and IPDM E/R

>> Repair open circuit or short to ground or short to power in harness or connectors.

12. CHECK ECM POWER SUPPLY CIRCUIT-VI

1. Disconnect IPDM E/R harness connector E9.
2. Check harness continuity between ECM terminal 24 and IPDM E/R terminal 46.
Refer to Wiring Diagram.

Continuity should exist.

3. Also check harness for short to ground and short to power.

OK or NG

- OK >> GO TO 14.
NG >> GO TO 13.

13. DETECT MALFUNCTIONING PART

Check the following.

- Harness or connectors E10, F1
- Harness for open or short between ECM and IPDM E/R

>> Repair open circuit or short to ground or short to power in harness or connectors.

14. CHECK 15A FUSE

1. Disconnect 15A fuse from IPDM E/R.
2. Check 15A fuse.

OK or NG

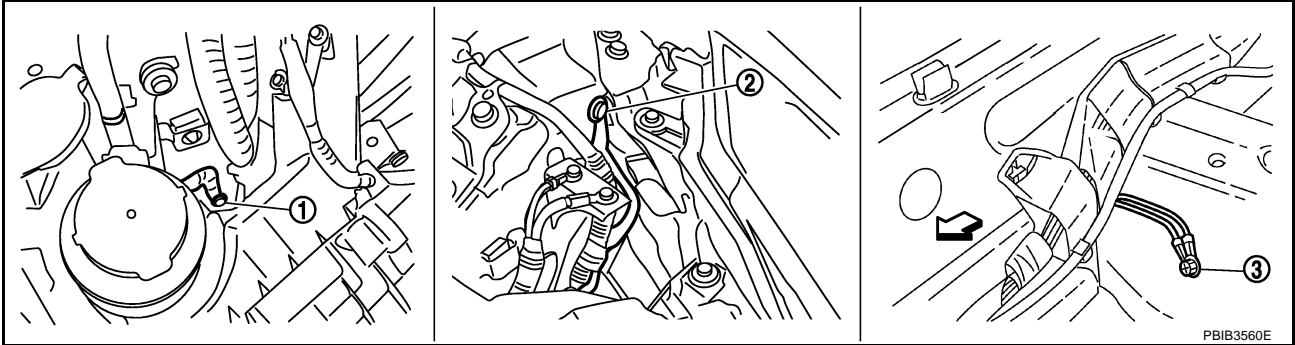
- OK >> GO TO 18.
NG >> Replace 15A fuse.

POWER SUPPLY AND GROUND CIRCUIT

15. CHECK GROUND CONNECTIONS

Models with VDC system, navigation system or telephone

1. Loosen and retighten ground screws on the body. Refer to [EC-150, "Ground Inspection"](#).



1. Body ground E17

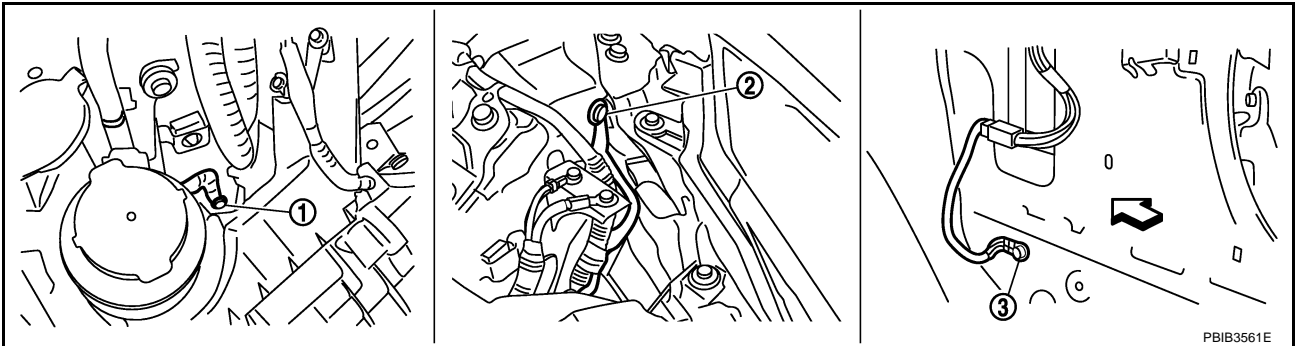
2. Body ground E43

3. Body ground B102

↔ Vehicle front

Models without VDC system, navigation system and telephone

1. Loosen and retighten ground screws on the body. Refer to [EC-150, "Ground Inspection"](#).



1. Body ground E17

2. Body ground E43

3. Body ground F152
(Passenger side view with dash side
finisher removed)

↔ Vehicle front

OK or NG

- OK >> GO TO 16.
- NG >> Repair or replace ground connections.

16. CHECK ECM GROUND CIRCUIT FOR OPEN AND SHORT-II

1. Disconnect ECM harness connector.
2. Check harness continuity between ECM terminals 8, 123, 124, 127, 128 and ground. Refer to Wiring Diagram.

Continuity should exist.

3. Also check harness for short to power.

OK or NG

- OK >> GO TO 18.
- NG >> GO TO 17.

POWER SUPPLY AND GROUND CIRCUIT

17. DETECT MALFUNCTIONING PART

Check the following.

- Harness connectors F103, B113 (Models with VDC system, navigation system or telephone) or F151 (Models without VDC system, navigation system and telephone)
- Harness or connectors F3, E12
- Harness or connectors M72, F102
- Harness for open or short between ECM and ground.

>> Repair open circuit or short to power in harness or connectors.

18. CHECK INTERMITTENT INCIDENT

Refer to [EC-141, "TROUBLE DIAGNOSIS FOR INTERMITTENT INCIDENT"](#) .

OK or NG

OK >> Replace IPDM E/R. Refer to [PG-16, "IPDM E/R \(INTELLIGENT POWER DISTRIBUTION MODULE ENGINE ROOM\)"](#) .

NG >> Repair open circuit or short to ground or short to power in harness or connectors.

Ground Inspection

NBS0003Z

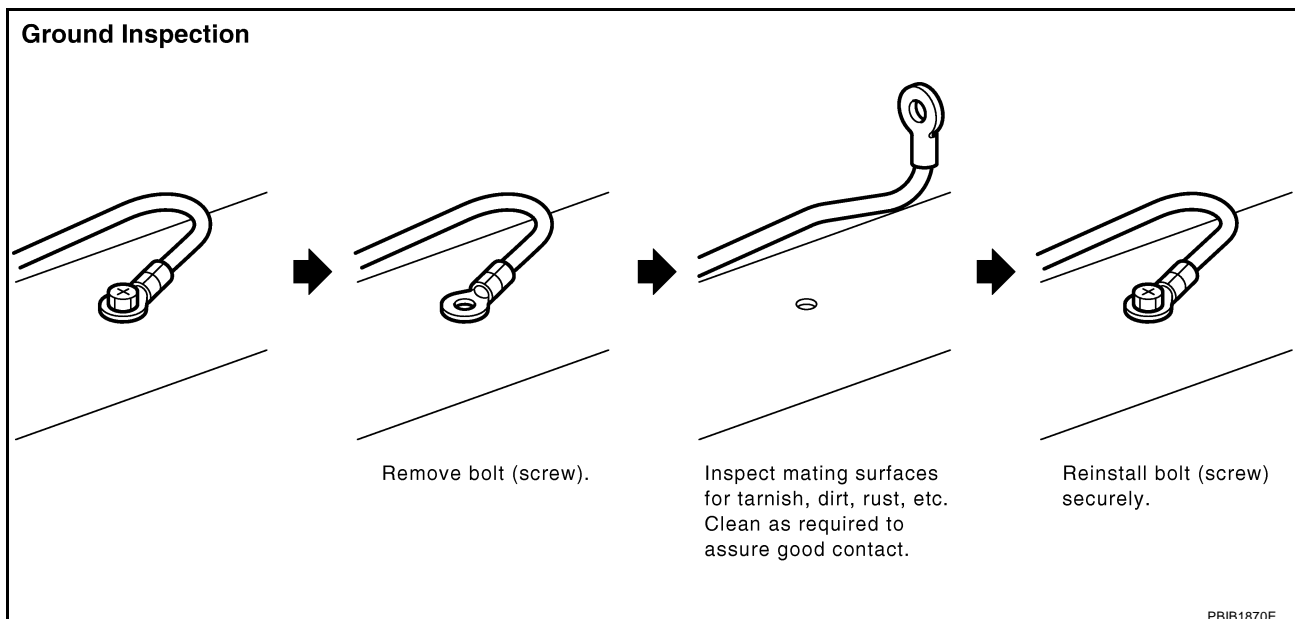
Ground connections are very important to the proper operation of electrical and electronic circuits. Ground connections are often exposed to moisture, dirt and other corrosive elements. The corrosion (rust) can become an unwanted resistance. This unwanted resistance can change the way a circuit works.

Electronically controlled circuits are very sensitive to proper grounding. A loose or corroded ground can drastically affect an electronically controlled circuit. A poor or corroded ground can easily affect the circuit. Even when the ground connection looks clean, there can be a thin film of rust on the surface.

When inspecting a ground connection follow these rules:

- Remove the ground bolt or screw.
- Inspect all mating surfaces for tarnish, dirt, rust, etc.
- Clean as required to assure good contact.
- Reinstall bolt or screw securely.
- Inspect for "add-on" accessories which may be interfering with the ground circuit.
- If several wires are crimped into one ground eyelet terminal, check for proper crimps. Make sure all of the wires are clean, securely fastened and providing a good ground path. If multiple wires are cased in one eyelet make sure no ground wires have excess wire insulation.

For detailed ground distribution information, refer to [PG-27, "Ground Distribution"](#) .



DTC U1000, U1001 CAN COMMUNICATION LINE

DTC U1000, U1001 CAN COMMUNICATION LINE

PFP:23710

Description

NBS00040

CAN (Controller Area Network) is a serial communication line for real time application. It is an on-vehicle multiplex communication line with high data communication speed and excellent error detection ability. Many electronic control units are equipped onto a vehicle, and each control unit shares information and links with other control units during operation (not independent). In CAN communication, control units are connected with 2 communication lines (CAN H line, CAN L line) allowing a high rate of information transmission with less wiring. Each control unit transmits/receives data but selectively reads required data only.

On Board Diagnosis Logic

NBS006T0

DTC No.	Trouble diagnosis name	DTC detecting condition	Possible cause
U1000*1 1000*1	CAN communication line	● When ECM is not transmitting or receiving CAN communication signal of OBD (emission-related diagnosis) for 2 seconds or more.	● Harness or connectors (CAN communication line is open or shorted)
U1001*2 1001*2		● When ECM is not transmitting or receiving CAN communication signal other than OBD (emission-related diagnosis) for 2 seconds or more.	

*1: This self-diagnosis has the one trip detection logic.

*2: The MIL will not light up for this self-diagnosis.

DTC Confirmation Procedure

NBS006T1




1. Turn ignition switch ON and wait at least 3 seconds.
2. Check 1st trip DTC.
3. If 1st trip DTC is detected, go to [EC-153, "Diagnostic Procedure"](#) .

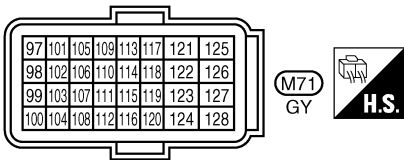
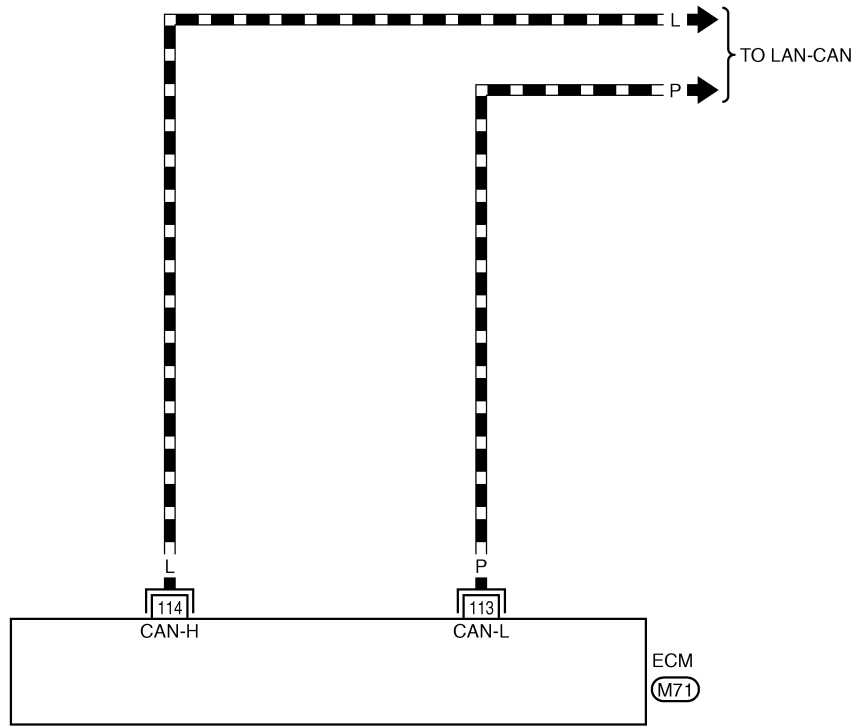
DTC U1000, U1001 CAN COMMUNICATION LINE

Wiring Diagram

NBS006T2

EC-CAN-01

-  : DETECTABLE LINE FOR DTC
-  : NON-DETECTABLE LINE FOR DTC
-  : DATA LINE



TBWT1616E

DTC U1000, U1001 CAN COMMUNICATION LINE

Diagnostic Procedure

NBS006T3

Go to [LAN-48, "CAN System Specification Chart"](#).

A

EC

C

D

E

F

G

H

I

J

K

L

M

DTC U1010 CAN COMMUNICATION

DTC U1010 CAN COMMUNICATION

PFP:23710

Description

NBS002VL

CAN (Controller Area Network) is a serial communication line for real time application. It is an on-vehicle multiplex communication line with high data communication speed and excellent error detection ability. Many electronic control units are equipped onto a vehicle, and each control unit shares information and links with other control units during operation (not independent). In CAN communication, control units are connected with 2 communication lines (CAN H line, CAN L line) allowing a high rate of information transmission with less wiring. Each control unit transmits/receives data but selectively reads required data only.

On Board Diagnosis Logic

NBS006T4

- This self-diagnosis has one trip detection logic (A/T models).
- The MIL will not light up for this self-diagnosis (M/T models).

DTC No.	Trouble diagnosis name	DTC detecting condition	Possible cause
U1010 1010	CAN communication bus	When detecting error during the initial diagnosis of CAN controller of ECM.	● ECM

DTC Confirmation Procedure

NBS002VN

WITH CONSULT-III

1. Turn ignition switch ON.
2. Check DTC.
3. If DTC is detected, go to [EC-155, "Diagnostic Procedure"](#) .

WITH GST

Follow the procedure "WITH CONSULT-III" above.

Diagnostic Procedure

1. INSPECTION START

With CONSULT-III

1. Turn ignition switch ON.
2. Select "SELF-DIAG RESULTS" mode with CONSULT-III.
3. Touch "ERASE".
4. **Perform DTC Confirmation Procedure.**
See [EC-154, "DTC Confirmation Procedure"](#) .
5. Is the DTC U1010 displayed again?

With GST

1. Turn ignition switch ON.
2. Select Service \$04 with GST.
3. **Perform DTC Confirmation Procedure.**
See [EC-154, "DTC Confirmation Procedure"](#) .
4. Is the DTC U1010 displayed again?

Yes or No

Yes >> GO TO 2.

No >> **INSPECTION END**

2. REPLACE ECM

1. Replace ECM.
2. Perform initialization of NVIS (NATS) system and registration of all NVIS (NATS) ignition key IDs. Refer to [BL-152, "ECM Re-communicating Function"](#) .
3. Perform [EC-76, "VIN Registration"](#) .
4. Perform [EC-76, "Exhaust Valve Timing Control Learning"](#)
5. Perform [EC-77, "Accelerator Pedal Released Position Learning"](#) .
6. Perform [EC-77, "Throttle Valve Closed Position Learning"](#) .
7. Perform [EC-77, "Idle Air Volume Learning"](#) .

>> **INSPECTION END**

A

EC

C

D

E

F

G

H

I

J

K

L

M

DTC P0011, P0021 IVT CONTROL

DTC P0011, P0021 IVT CONTROL

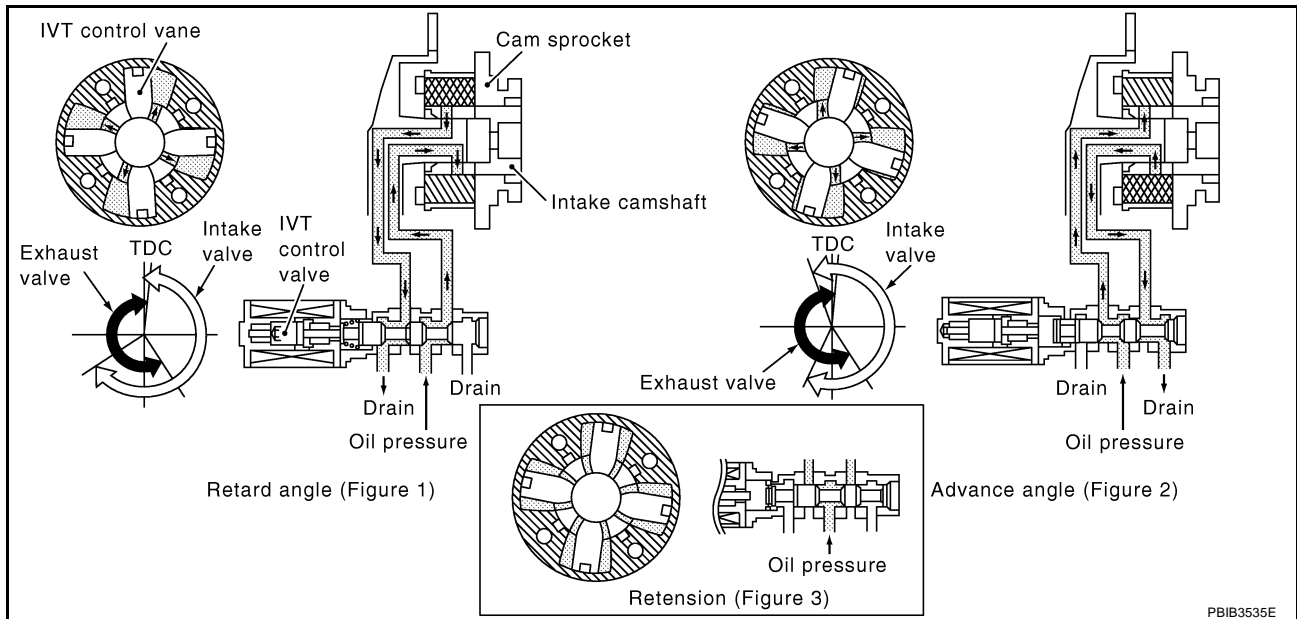
PFP:23796

Description SYSTEM DESCRIPTION

NBS00045

Sensor	Input signal to ECM	ECM function	Actuator
Crankshaft position sensor (POS)	Engine speed and piston position	Intake valve timing control	Intake valve timing control solenoid valve
Camshaft position sensor (PHASE)			
Engine coolant temperature sensor	Engine coolant temperature		
Wheel sensor	Vehicle speed*		

*: This signal is sent to the ECM through CAN Communication line



This mechanism hydraulically controls cam phases continuously with the fixed operating angle of the intake valve.

The ECM receives signals such as crankshaft position, camshaft position, engine speed, and engine coolant temperature. Then, the ECM sends ON/OFF pulse duty signals to the intake valve timing control solenoid valve depending on driving status. This makes it possible to control the shut/open timing of the intake valve to increase engine torque in low/mid speed range and output in high-speed range.

CONSULT-III Reference Value in Data Monitor Mode

NBS00046

Specification data are reference values.

MONITOR ITEM	CONDITION	SPECIFICATION
INT/V TIM(B1) INT/V TIM(B2)	● Engine: After warming up ● Shift lever: P or N (A/T), Neutral (M/T) ● Air conditioner switch: OFF ● No load Idle	-5° - 5°CA
	2,000 rpm	Approx. 0° - 30°CA
INT/V SOL(B1) INT/V SOL(B2)	● Engine: After warming up ● Shift lever: P or N (A/T), Neutral (M/T) ● Air conditioner switch: OFF ● No load Idle	0% - 2%
	2,000 rpm	Approx. 0% - 50%

DTC P0011, P0021 IVT CONTROL

On Board Diagnosis Logic

NBS00047

DTC No.	Trouble diagnosis name	Detecting condition	Possible cause
P0011 0011 (Bank 1)	Intake valve timing control performance	There is a gap between angle of target and phase-control angle degree.	<ul style="list-style-type: none"> ● Crankshaft position sensor (POS) ● Camshaft position sensor (PHASE) ● Intake valve timing control solenoid valve ● Accumulation of debris to the signal pick-up portion of the camshaft ● Timing chain installation ● Foreign matter caught in the oil groove for intake valve timing control
P0021 0021 (Bank 2)			

FAIL-SAFE MODE

When the malfunction is detected, the ECM enters fail-safe mode.

Detected items	Engine operating condition in fail-safe mode
Intake valve timing control	The signal is not energized to the solenoid valve and the valve control does not function.

DTC Confirmation Procedure

NBS00048

CAUTION:

Always drive at a safe speed.

NOTE:

- If DTC P0011 or P0021 is displayed with DTC P0075 or P0081, first perform trouble diagnosis for DTC P0075 or P0081. Refer to [EC-183, "DTC P0075, P0081 IVT CONTROL SOLENOID VALVE"](#).
- If DTC Confirmation Procedure has been previously conducted, always turn ignition switch OFF and wait at least 10 seconds before conducting the next test.

TESTING CONDITION:

Before performing the following procedure, confirm that battery voltage is between 10V and 16V at idle.

WITH CONSULT-III

1. Turn ignition switch ON and select "DATA MONITOR" mode with CONSULT-III.
2. Start engine and warm it up to the normal operating temperature.
3. Maintain the following conditions for at least 6 consecutive seconds.
Hold the accelerator pedal as steady as possible.

ENG SPEED	500 - 2,000 rpm (A constant rotation is maintained.)
COOLANT TEMP/S	More than 60°C (140°F)
B/FUEL SCHDL	More than 3.5 msec
Shift lever	P or N (A/T), neutral (M/T) position

4. Let engine idle for 10 seconds.
5. Check 1st trip DTC.
6. If 1st trip DTC is detected, go to [EC-158, "Diagnostic Procedure"](#).
If 1st trip DTC is not detected, go to next step.
7. Maintain the following conditions for at least 20 consecutive seconds.

ENG SPEED	1,700 - 3,175 rpm (A constant rotation is maintained.)
COOLANT TEMP/S	More than 70°C (158°F)
Shift lever	1st or 2nd position
Driving location uphill	Driving vehicle uphill (Increased engine load will help maintain the driving conditions required for this test.)

8. Check 1st trip DTC.
9. If 1st trip DTC is detected, go to [EC-158, "Diagnostic Procedure"](#).

DTC P0011, P0021 IVT CONTROL

WITH GST

Follow the procedure "WITH CONSULT-III" above.

Diagnostic Procedure

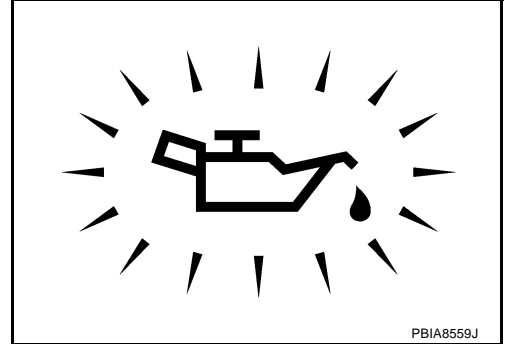
NBS00049

1. CHECK OIL PRESSURE WARNING LAMP

1. Start engine.
2. Check oil pressure warning lamp and confirm it is not illuminated.

OK or NG

- OK >> GO TO 2.
NG >> Go to [LU-7, "OIL PRESSURE CHECK"](#) .



2. CHECK INTAKE VALVE TIMING CONTROL SOLENOID VALVE

Refer to [EC-159, "Component Inspection"](#) .

OK or NG

- OK >> GO TO 3.
NG >> Replace malfunctioning intake valve timing control solenoid valve.

3. CHECK CRANKSHAFT POSITION SENSOR (POS)

Refer to [EC-393, "Component Inspection"](#) .

OK or NG

- OK >> GO TO 4.
NG >> Replace crankshaft position sensor (POS).

4. CHECK CAMSHAFT POSITION SENSOR (PHASE)

Refer to [EC-405, "Component Inspection"](#) .

OK or NG

- OK >> GO TO 5.
NG >> Replace malfunctioning camshaft position sensor (PHASE).

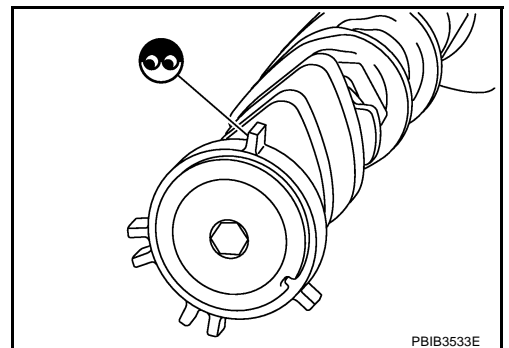
5. CHECK CAMSHAFT (INT)

Check the following.

- Accumulation of debris to the signal plate of camshaft rear end
- Chipping signal plate of camshaft rear end

OK or NG

- OK >> GO TO 6.
NG >> Remove debris and clean the signal plate of camshaft rear end or replace camshaft.



DTC P0011, P0021 IVT CONTROL

6. CHECK TIMING CHAIN INSTALLATION

Check service records for any recent repairs that may cause timing chain misaligned.
Are there any service records that may cause timing chain misaligned?

Yes or No

- Yes >> Check timing chain installation. Refer to [EM-53, "TIMING CHAIN"](#) .
- No >> GO TO 7.

7. CHECK LUBRICATION CIRCUIT

Refer to [EM-74, "INSPECTION AFTER REMOVAL"](#) .

OK or NG

- OK >> GO TO 8.
- NG >> Clean lubrication line.

8. CHECK INTERMITTENT INCIDENT

Refer to [EC-141, "TROUBLE DIAGNOSIS FOR INTERMITTENT INCIDENT"](#) .

For Wiring Diagram, refer to [EC-388](#) for crankshaft position sensor (POS) and [EC-397](#) for camshaft position sensor (PHASE).

>> INSPECTION END

Component Inspection INTAKE VALVE TIMING CONTROL SOLENOID VALVE

NBS0004A

1. Disconnect intake valve timing control solenoid valve harness connector.
2. Check resistance between intake valve timing control solenoid valve as follows.

Terminal	Resistance
1 and 2	7.0 - 7.5Ω [at 20°C (68°F)]
1 or 2 and ground	∞ Ω (Continuity should not exist.)

If NG, replace intake valve timing control solenoid valve.
 If OK, go to next step.

3. Remove intake valve timing control solenoid valve.
4. Provide 12V DC between intake valve timing control solenoid valve terminals and then interrupt it. Make sure that the plunger moves as shown in the figure.

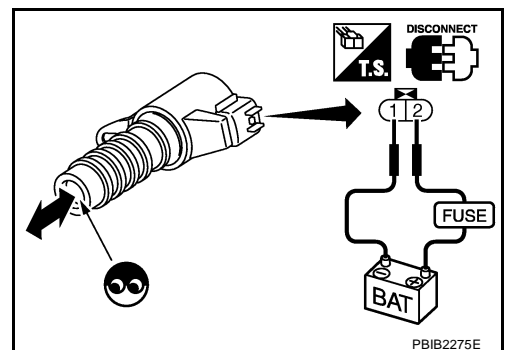
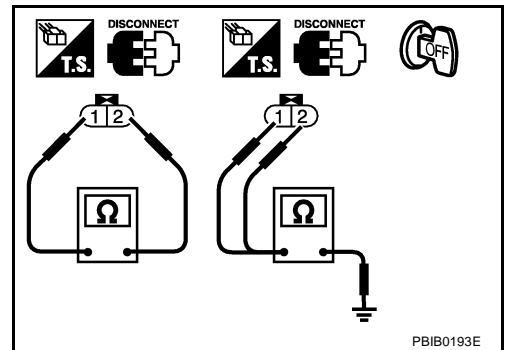
CAUTION:

Do not apply 12V DC continuously for 5 seconds or more. Doing so may result in damage to the coil in intake valve timing control solenoid valve.

If NG, replace intake valve timing control solenoid valve.

NOTE:

Always replace O-ring when intake valve timing control solenoid valve is removed.



Removal and Installation INTAKE VALVE TIMING CONTROL SOLENOID VALVE

NBS0004B

Refer to [EM-53, "TIMING CHAIN"](#) .

DTC P0014 P0024 EVT CONTROL

DTC P0014 P0024 EVT CONTROL

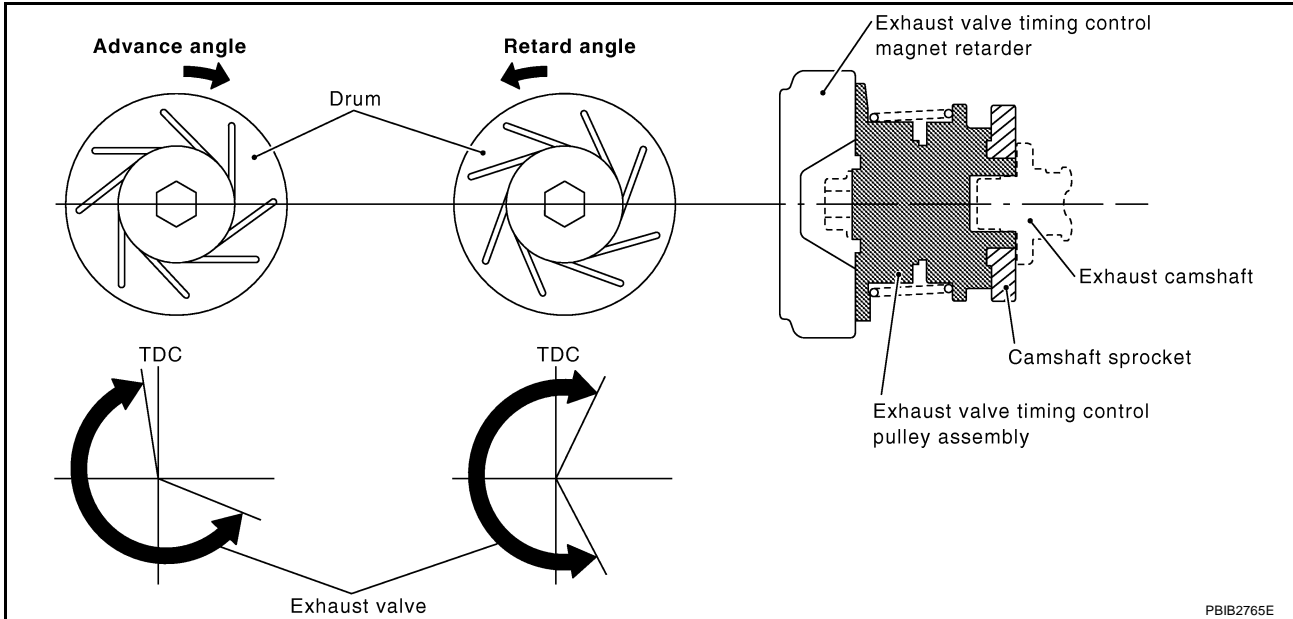
PFP:23795

Description SYSTEM DESCRIPTION

NBS0004C

Sensor	Input signal to ECM	ECM function	Actuator
Crankshaft position sensor (POS)	Engine speed and piston position	Exhaust valve timing control	Exhaust valve timing control magnet retarder
Camshaft position sensor (PHASE)			
Engine coolant temperature sensor	Engine coolant temperature		
Exhaust valve timing control position sensor	Exhaust valve timing signal		
Wheel sensor	Vehicle speed*		

*: This signal is sent to the ECM through CAN Communication line



This mechanism magnetically controls cam phases continuously with the fixed operating angle of the exhaust valve.

The ECM receives signals such as crankshaft position, camshaft position, engine speed, and engine coolant temperature. Then, the ECM sends ON/OFF pulse duty signals to the exhaust valve timing control magnet retarder depending on driving status. This makes it possible to control the shut/open timing of the exhaust valve to increase engine torque and output in a range of high engine speed.

CONSULT-III Reference Value in Data Monitor Mode

NBS0004D

Specification data are reference values.

MONITOR ITEM	CONDITION	SPECIFICATION
EXH/V TIM B1 EXH/V TIM B2	● Engine: After warming up ● Shift lever: Neutral ● Air conditioner switch: OFF ● No load	Idle
	● Engine: After warming up ● Shift lever: Neutral ● Air conditioner switch: OFF ● No load	Around 2,500 rpm while the engine speed is rising
EX VTC DTY B1 EX VTC DTY B2	● Engine: After warming up ● Shift lever: Neutral ● Air conditioner switch: OFF ● No load	Idle
	● Engine: After warming up ● Shift lever: Neutral ● Air conditioner switch: OFF ● No load	Around 2,500 rpm while the engine speed is rising

DTC P0014 P0024 EVT CONTROL

On Board Diagnosis Logic

NBS0004E

DTC No.	Trouble diagnosis name	Detecting condition	Possible cause
P0014 0014 (Bank 1)	Exhaust valve timing control performance	There is a gap between angle of target and phase-control angle degree.	<ul style="list-style-type: none"> ● Crankshaft position sensor (POS) ● Camshaft position sensor (PHASE) ● Exhaust valve timing control position sensor ● Exhaust valve timing control magnet retarder ● Accumulation of debris to the signal pick-up portion of the camshaft ● Timing chain installation ● Exhaust valve timing control pulley assembly
P0024 0024 (Bank 2)			

FAIL-SAFE MODE

When the malfunction is detected, the ECM enters fail-safe mode.

Detected items	Engine operating condition in fail-safe mode
Exhaust valve timing control	The signal is not energized to the Exhaust valve timing control magnet retarder and the magnet retarder control does not function.

DTC Confirmation Procedure

NBS0004F

CAUTION:

Always drive at a safe speed.

NOTE:

- If DTC P0014 or P0024 is displayed with DTC P0078, P0084, P1078 or P1084, first perform trouble diagnosis for DTC P0078, P0084 or P1078, P1084. Refer to [EC-190, "DTC P0078 P0084 EVT CONTROL MAGNET RETARDER"](#) or [EC-528, "DTC P1078 P1084 EVT CONTROL POSITION SENSOR"](#).
- If DTC Confirmation Procedure has been previously conducted, always turn ignition switch OFF and wait at least 10 seconds before conducting the next test.

TESTING CONDITION:

Before performing the following procedure, confirm that battery voltage is between 10V and 16V at idle.

Ⓟ WITH CONSULT-III

1. Turn ignition switch ON and select "DATA MONITOR" mode with CONSULT-III.
2. Start engine and warm it up to the normal operating temperature.
3. Maintain the following conditions for at least 6 consecutive seconds.
Hold the accelerator pedal as steady as possible.

ENG SPEED	500 - 2,000 rpm (A constant rotation is maintained.)
COOLAN TEMP/S	More than 60°C (140°F)
B/FUEL SCHDL	More than 3.5 msec
Shift lever	P or N (A/T), neutral (M/T) position

4. Let engine idle for 10 seconds.
5. Check 1st trip DTC.
6. If 1st trip DTC is detected, go to [EC-162, "Diagnostic Procedure"](#).
If 1st trip DTC is not detected, go to next step.
7. Maintain the following conditions for at least 20 consecutive seconds.

ENG SPEED	1,700 - 2,950 rpm (A constant rotation is maintained.)
COOLAN TEMP/S	More than 70°C (158°F)
Shift lever	1st or 2nd position
Driving location uphill	Driving vehicle uphill (Increased engine load will help maintain the driving conditions required for this test.)

DTC P0014 P0024 EVT CONTROL

8. Check 1st trip DTC.
9. If 1st trip DTC is detected, go to [EC-162, "Diagnostic Procedure"](#).

WITH GST

Follow the procedure "WITH CONSULT-III" above.

Diagnostic Procedure

NBS0004G

1. INSPECTION START

Do you have CONSULT-III?

Yes or No

- Yes >> GO TO 2.
- No >> GO TO 3.

2. CHECK FUNCTION OF EXHAUST VALVE TIMING CONTROL-I

With CONSULT-III

1. Turn ignition switch ON.
2. Select "EXH V/T ANGLE" in "ACTIVE TEST" mode with CONSULT-III.
3. Start engine and keep the engine speed at 2,500 rpm, then touch "START".
4. Make sure that the values of "EXH/V TIM B1" and "EXH/V TIM B2" change when touching "UP" or "DOWN".

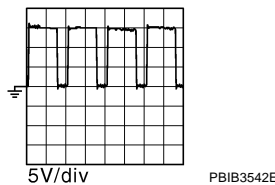
OK or NG

- OK >> GO TO 12.
- NG >> GO TO 4.

3. CHECK FUNCTION OF EXHAUST VALVE TIMING CONTROL-II

Without CONSULT-III

1. Start engine and keep the engine speed at 2,500 rpm, then touch "START".
2. Read the voltage signal between ECM terminal 6 (bank 1), 7 (bank 2) and ground with oscilloscope.
3. Verify that the oscilloscope screen shows the signal wave as shown below.



OK or NG

- OK >> GO TO 12.
- NG >> GO TO 4.

4. CHECK EXHAUST VALVE TIMING CONTROL MAGNET RETARDER

Refer to [EC-164, "Component Inspection"](#).

OK or NG

- OK >> GO TO 6.
- NG >> GO TO 5.

5. REPLACE EXHAUST VALVE TIMING CONTROL MAGNET RETARDER

1. Replace exhaust valve timing control magnet retarder.
2. Perform [EC-76, "Exhaust Valve Timing Control Learning"](#).

>> INSPECTION END

6. CHECK EXHAUST VALVE TIMING CONTROL POSITION SENSOR

Refer to [EC-539, "Component Inspection"](#) .

OK or NG

OK >> GO TO 7.

NG >> Replace malfunctioning exhaust valve timing control position sensor.

7. CHECK CRANKSHAFT POSITION SENSOR (POS)

Refer to [EC-393, "Component Inspection"](#) .

OK or NG

OK >> GO TO 8.

NG >> Replace crankshaft position sensor (POS).

8. CHECK CAMSHAFT POSITION SENSOR (PHASE)

Refer to [EC-405, "Component Inspection"](#) .

OK or NG

OK >> GO TO 9.

NG >> Replace malfunctioning camshaft position sensor (PHASE).

9. CHECK CAMSHAFT (EXH)

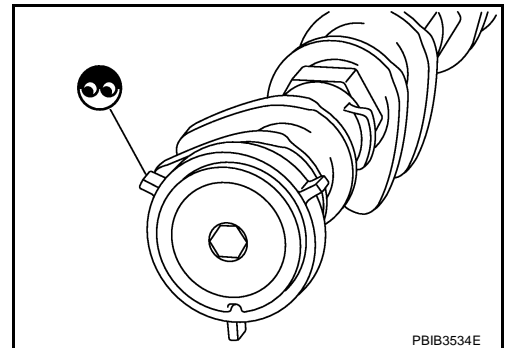
Check the following.

- Accumulation of debris to the signal plate of camshaft rear end
- Chipping signal plate of camshaft rear end

OK or NG

OK >> GO TO 10.

NG >> Remove debris and clean the signal plate of camshaft rear end or malfunctioning replace camshaft.



10. CHECK TIMING CHAIN INSTALLATION

Check service records for any recent repairs that may cause timing chain misaligned.

Are there any service records that may cause timing chain misaligned?

Yes or No

Yes >> Check timing chain installation. Refer to [EM-53, "TIMING CHAIN"](#) .

No >> GO TO 11.

11. REPLACE EXHAUST VALVE TIMING CONTROL PULLEY ASSEMBLY

1. Replace exhaust valve timing control pulley assembly and exhaust valve timing control magnet retarder. Refer to [EM-72, "CAMSHAFT"](#) and [EM-44, "FRONT TIMING CHAIN CASE"](#) .
2. Perform [EC-76, "Exhaust Valve Timing Control Learning"](#) .

>> **INSPECTION END**

12. CHECK INTERMITTENT INCIDENT

Refer to [EC-141, "TROUBLE DIAGNOSIS FOR INTERMITTENT INCIDENT"](#) .

For Wiring Diagram, refer to [EC-388](#) for crankshaft position sensor (POS) and [EC-397](#) for camshaft position sensor (PHASE).

>> INSPECTION END

Component Inspection

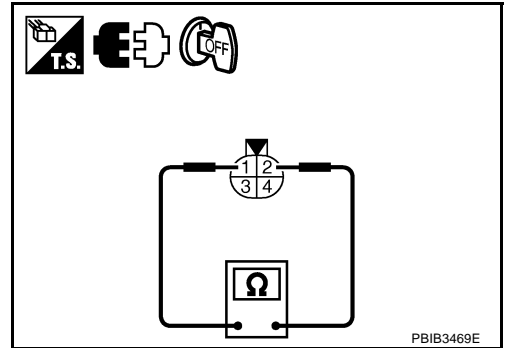
EXHAUST VALVE TIMING CONTROL MAGNET RETARDER

NBS0004H

1. Disconnect exhaust valve timing control magnet retarder harness connector.
2. Check resistance between exhaust valve timing control magnet retarder terminals 1 and 2.

Resistance: 9.0 - 11.0Ω [at 20°C (68°F)]

3. If NG, replace exhaust valve timing control magnet retarder and go to the next step.
4. Perform [EC-76, "Exhaust Valve Timing Control Learning"](#) .



Removal and Installation

EXHAUST VALVE TIMING CONTROL MAGNET RETARDER

NBS0004I

Refer to [EM-44, "FRONT TIMING CHAIN CASE"](#) .

DTC P0031, P0032, P0051, P0052 A/F SENSOR 1 HEATER

DTC P0031, P0032, P0051, P0052 A/F SENSOR 1 HEATER

PPF:22693

Description SYSTEM DESCRIPTION

NBS000B6

Sensor	Input Signal to ECM	ECM function	Actuator
Camshaft position sensor (PHASE) Crankshaft position sensor (POS)	Engine speed	Air fuel ratio (A/F) sensor 1 heater control	Air fuel ratio (A/F) sensor 1 heater
Mass air flow sensor	Amount of intake air		

The ECM performs ON/OFF duty control of the A/F sensor 1 heater corresponding to the engine operating condition to keep the temperature of A/F sensor 1 element at the specified range.

CONSULT-III Reference Value in Data Monitor Mode

NBS000B7

Specification data are reference values.

MONITOR ITEM	CONDITION	SPECIFICATION
A/F S1 HTR(B1) A/F S1 HTR(B2)	<ul style="list-style-type: none"> Engine: After warming up, idle the engine (More than 140 seconds after starting engine) 	4 - 100%

On Board Diagnosis Logic

NBS000B8

DTC No.	Trouble diagnosis name	DTC detecting condition	Possible cause
P0031 0031 (Bank 1)	Air fuel ratio (A/F) sensor 1 heater control circuit low input	The current amperage in the air fuel ratio (A/F) sensor 1 heater circuit is out of the normal range. (An excessively low voltage signal is sent to ECM through the A/F sensor 1 heater.)	<ul style="list-style-type: none"> Harness or connectors (The A/F sensor 1 heater circuit is open or shorted.) Air fuel ratio (A/F) sensor 1 heater
P0051 0051 (Bank 2)			
P0032 0032 (Bank 1)	Air fuel ratio (A/F) sensor 1 heater control circuit high input	The current amperage in the air fuel ratio (A/F) sensor 1 heater circuit is out of the normal range. (An excessively high voltage signal is sent to ECM through the A/F sensor 1 heater.)	<ul style="list-style-type: none"> Harness or connectors (The A/F sensor 1 heater circuit is shorted.) Air fuel ratio (A/F) sensor 1 heater
P0052 0052 (Bank 2)			

DTC Confirmation Procedure

NBS000B9

NOTE:

If DTC Confirmation Procedure has been previously conducted, always turn ignition switch OFF and wait at least 10 seconds before conducting the next test.

TESTING CONDITION:

Before performing the following procedure, confirm that battery voltage is between 10.5V and 16V at idle.

WITH CONSULT-III

1. Start engine and let it idle for at least 10 seconds.
2. Check 1st trip DTC.
3. If 1st trip DTC is detected, go to [EC-170, "Diagnostic Procedure"](#).

WITH GST

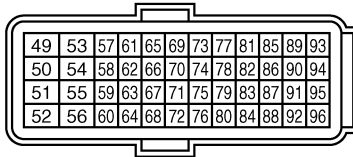
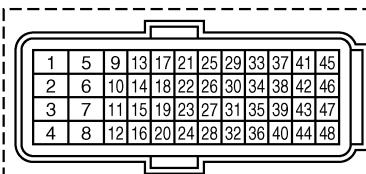
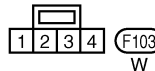
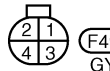
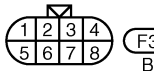
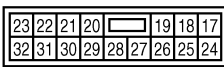
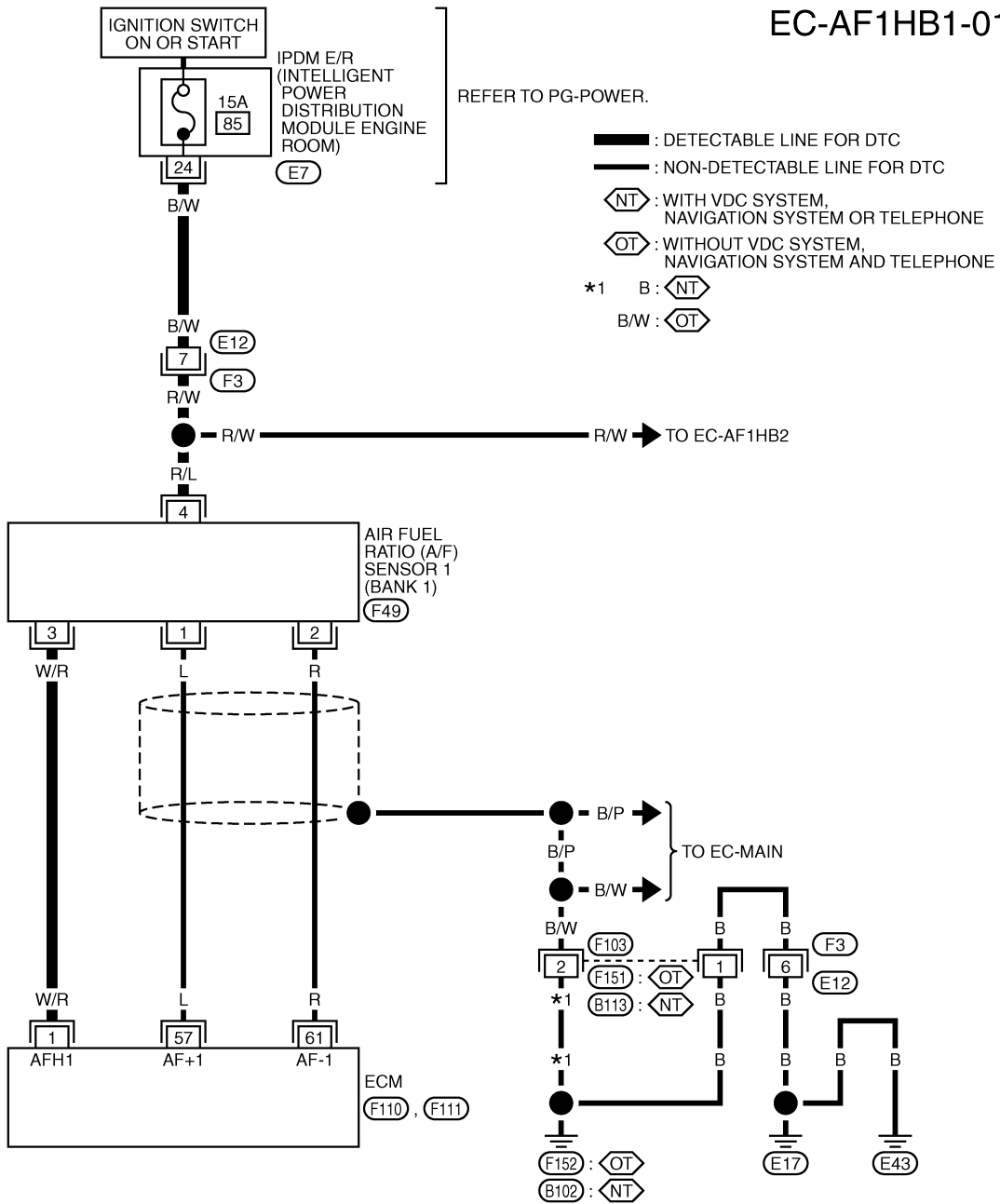
Follow the procedure "WITH CONSULT-III" above.

DTC P0031, P0032, P0051, P0052 A/F SENSOR 1 HEATER

NBS000BA

Wiring Diagram BANK 1

EC-AF1HB1-01



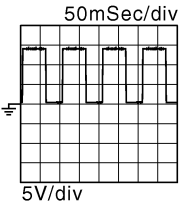
TBWT1617E

DTC P0031, P0032, P0051, P0052 A/F SENSOR 1 HEATER

Specification data are reference values and are measured between each terminal and ground.
Pulse signal is measured by CONSULT-III.

CAUTION:

Do not use ECM ground terminals when measuring input/output voltage. Doing so may result in damage to the ECM's transistor. Use a ground other than ECM terminals, such as the ground.

TER-MINAL NO.	WIRE COLOR	ITEM	CONDITION	DATA (DC Voltage)
1	W/R	A/F sensor 1 heater (bank 1)	<p>[Engine is running]</p> <ul style="list-style-type: none"> ● Warm-up condition ● Idle speed (More than 140 seconds after starting engine) 	<p>2.9 - 8.8V★</p> 
57	L	A/F sensor 1 (bank 1)	[Ignition switch: ON]	2.2V
61	R	A/F sensor 1 (bank 1)	<p>[Ignition switch: ON]</p> <ul style="list-style-type: none"> ● Warm-up condition ● Engine speed: 2,000 rpm 	<p>1.8V</p> <p>Output voltage varies with air fuel ratio.</p>

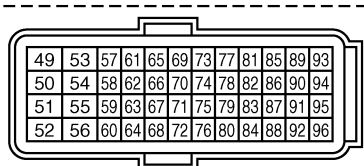
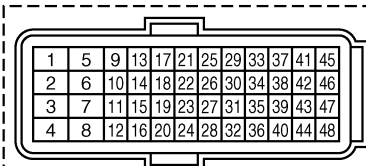
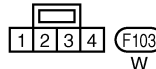
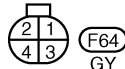
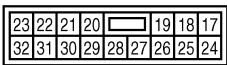
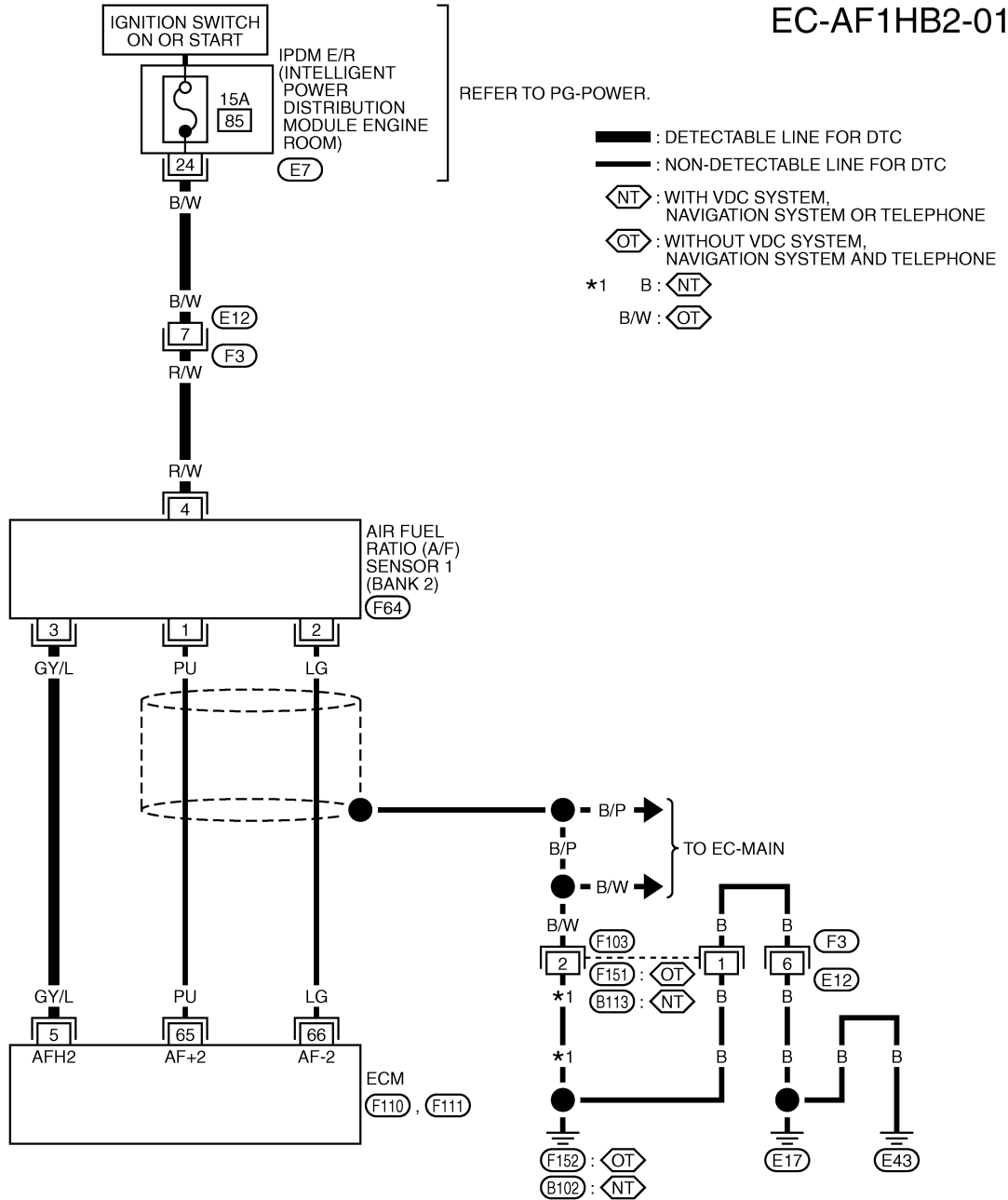
★: Average voltage for pulse signal (Actual pulse signal can be confirmed by oscilloscope.)

A
EC
C
D
E
F
G
H
I
J
K
L
M

DTC P0031, P0032, P0051, P0052 A/F SENSOR 1 HEATER

BANK 2

EC-AF1HB2-01



TBWT1618E

DTC P0031, P0032, P0051, P0052 A/F SENSOR 1 HEATER

Specification data are reference values and are measured between each terminal and ground.
Pulse signal is measured by CONSULT-III.

CAUTION:

Do not use ECM ground terminals when measuring input/output voltage. Doing so may result in damage to the ECM's transistor. Use a ground other than ECM terminals, such as the ground.

TER-MINAL NO.	WIRE COLOR	ITEM	CONDITION	DATA (DC Voltage)
5	GY/L	A/F sensor 1 heater (bank 2)	<p>[Engine is running]</p> <ul style="list-style-type: none"> ● Warm-up condition ● Idle speed (More than 140 seconds after starting engine) 	<p>2.9 - 8.8★</p>
65	PU	A/F sensor 1 (bank 2)	[Ignition switch: ON]	2.2V
66	LG	A/F sensor 1 (bank 2)	<p>[Ignition switch: ON]</p> <ul style="list-style-type: none"> ● Warm-up condition ● Engine speed: 2,000 rpm 	<p>1.8V</p> <p>Output voltage varies with air fuel ratio.</p>

★: Average voltage for pulse signal (Actual pulse signal can be confirmed by oscilloscope.)

A
EC
C
D
E
F
G
H
I
J
K
L
M

DTC P0031, P0032, P0051, P0052 A/F SENSOR 1 HEATER

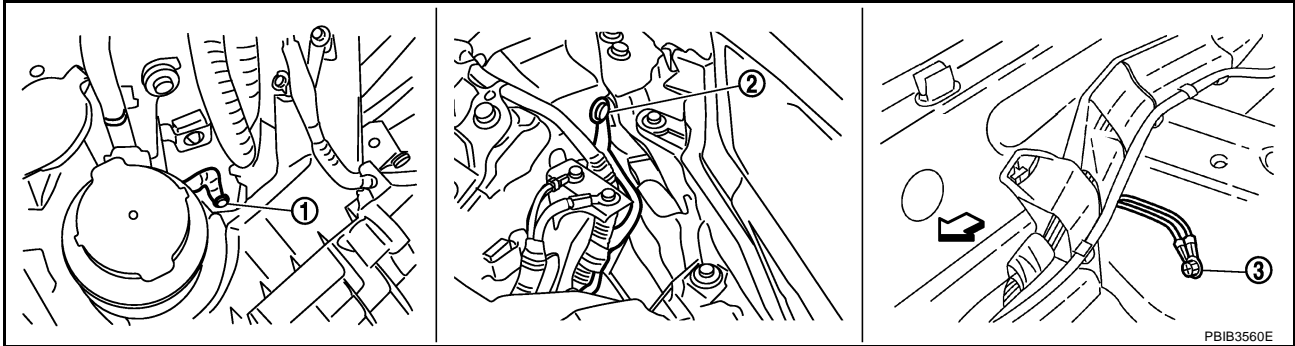
NBS000BB

Diagnostic Procedure

1. CHECK GROUND CONNECTIONS

Models with VDC system, navigation system or telephone

1. Turn ignition switch OFF.
2. Loosen and retighten ground screws on the body. Refer to [EC-150, "Ground Inspection"](#).



1. Body ground E17

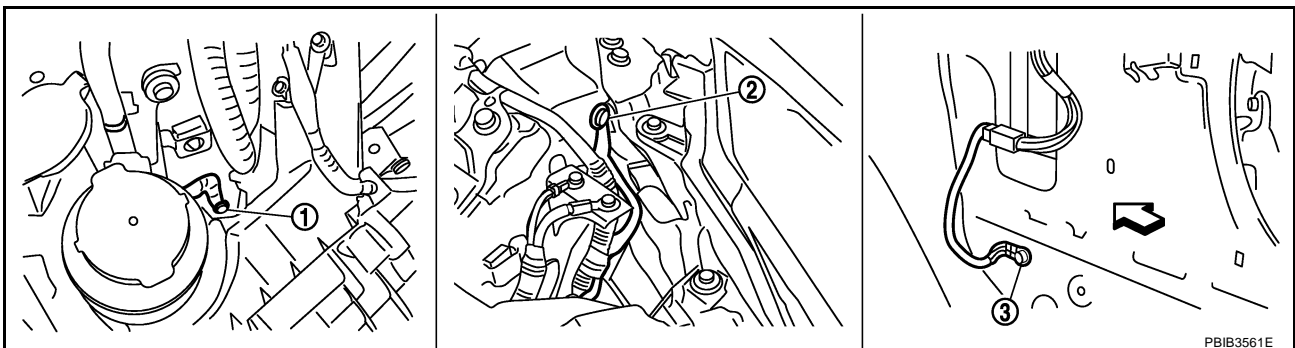
2. Body ground E43

3. Body ground B102

↔ Vehicle front

Models without VDC system, navigation system and telephone

1. Turn ignition switch OFF.
2. Loosen and retighten ground screws on the body. Refer to [EC-150, "Ground Inspection"](#).



1. Body ground E17

2. Body ground E43

3. Body ground F152
(Passenger side view with dash side
finisher removed)

↔ Vehicle front

OK or NG

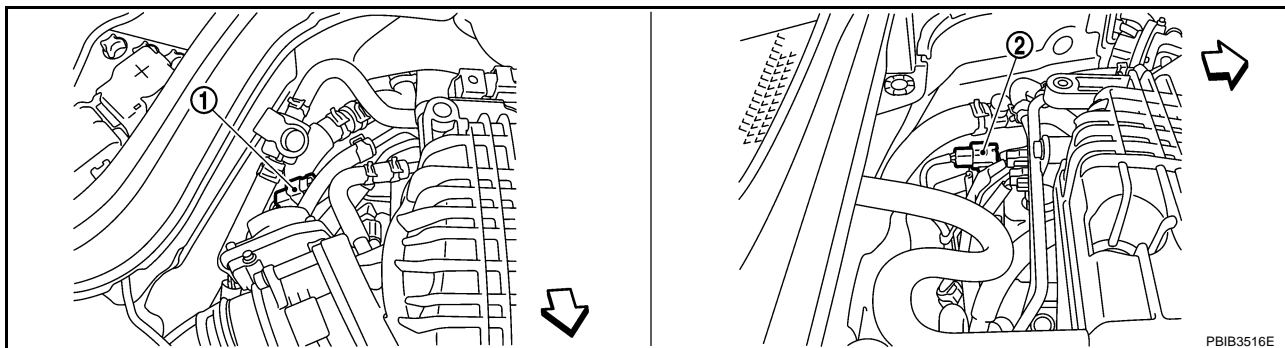
OK >> GO TO 2.

NG >> Repair or replace ground connections.

DTC P0031, P0032, P0051, P0052 A/F SENSOR 1 HEATER

2. CHECK AIR FUEL RATIO (A/F) SENSOR 1 POWER SUPPLY CIRCUIT

1. Disconnect air fuel ratio (A/F) sensor 1 harness connector.



1. A/F sensor 1 (bank 1) harness connector
2. A/F sensor 1 (bank 2) harness connector

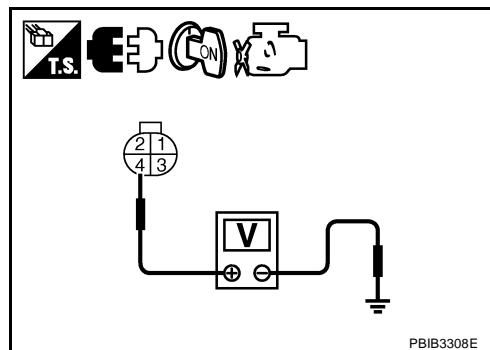
← Vehicle front

2. Turn ignition switch ON.
3. Check voltage between air fuel ratio sensor (A/F) sensor 1 terminal 4 and ground with CONSULT-III or tester.

Voltage: Battery voltage

OK or NG

- OK >> GO TO 4.
- NG >> GO TO 3.



3. DETECT MALFUNCTIONING PART

Check the following.

- Harness connectors E12, F3
- 15A fuse
- Harness for open or short between air fuel ratio (A/F) sensor 1 and fuse

>> Repair or replace harness or connectors.

4. CHECK AIR FUEL RATIO (A/F) SENSOR 1 HEATER OUTPUT SIGNAL CIRCUIT

1. Turn ignition switch OFF.
2. Disconnect ECM harness connector.
3. Check harness continuity between ECM terminal 1 (bank 1) or 5 (bank 2) and air fuel ratio (A/F) sensor 1 terminal 3.
Refer to Wiring Diagram.

Continuity should exist.

4. Also check harness for short to ground or short to power.

OK or NG

- OK >> GO TO 5.
- NG >> Repair open circuit or short to ground or short to power in harness or connectors.

DTC P0031, P0032, P0051, P0052 A/F SENSOR 1 HEATER

5. CHECK AIR FUEL RATIO (A/F) SENSOR 1 HEATER

Refer to [EC-172, "Component Inspection"](#) .

OK or NG

OK >> GO TO 6.

NG >> Replace malfunctioning air fuel ratio (A/F) sensor 1.

6. CHECK INTERMITTENT INCIDENT

Perform [EC-141, "TROUBLE DIAGNOSIS FOR INTERMITTENT INCIDENT"](#) .

>> INSPECTION END

Component Inspection AIR FUEL RATIO (A/F) SENSOR 1 HEATER

NBS000BC

Check resistance between terminals 3 and 4.

Resistance: 1.8 - 2.44Ω [at 25°C (77°F)]

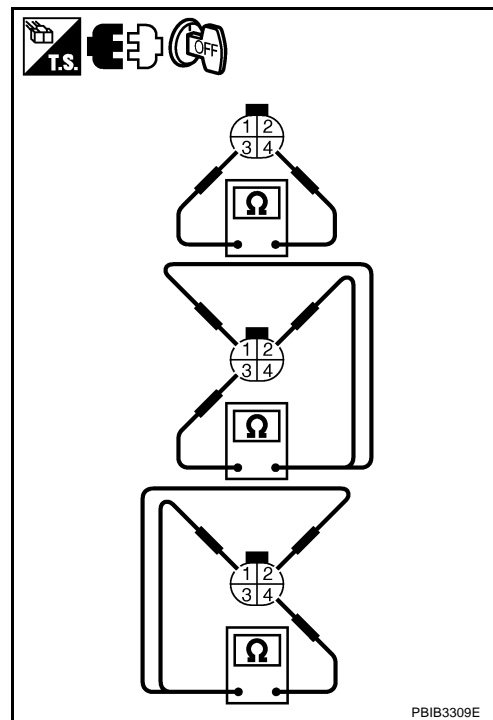
Check continuity between terminals 3 and 1, 2, terminals 4 and 1, 2.

Continuity should not exist.

If NG, replace the air fuel ratio (A/F) sensor 1.

CAUTION:

- Discard any A/F sensor which has been dropped from a height of more than 0.5 m (19.7 in) onto a hard surface such as a concrete floor; use a new one.
- Before installing new A/F sensor, clean exhaust system threads using Heated Oxygen Sensor Thread Cleaner tool J-43897-18 or J-43897-12 and approved anti-seize lubricant.



PBIB3309E

Removal and Installation AIR FUEL RATIO (A/F) SENSOR 1

NBS000BD

Refer to [EM-22, "EXHAUST MANIFOLD AND THREE WAY CATALYST"](#) .

DTC P0037, P0038, P0057, P0058 HO2S2 HEATER

DTC P0037, P0038, P0057, P0058 HO2S2 HEATER

PFP:226A0

Description SYSTEM DESCRIPTION

NBS0004J

Sensor	Input signal to ECM	ECM function	Actuator
Camshaft position sensor (PHASE)	Engine speed	Heated oxygen sensor 2 (HO2S2) heater control	Heated oxygen sensor 2 (HO2S2) heater
Crankshaft position sensor (POS)			
Engine coolant temperature sensor	Engine coolant temperature		
Mass air flow sensor	Amount of intake air		

The ECM performs ON/OFF control of the heated oxygen sensor 2 (HO2S2) heater corresponding to the engine speed, amount of intake air and engine coolant temperature.

OPERATION

Engine speed rpm	Heated oxygen sensor 2 heater
Above 3,600	OFF
Below 3,600 rpm after the following conditions are met.	ON
<ul style="list-style-type: none"> ● Engine: After warming up ● Keeping the engine speed between 3,500 and 4,000 rpm for 1 minute and at idle for 1 minute under no load 	

CONSULT-III Reference Value in Data Monitor Mode

NBS0004K

Specification data are reference values.

MONITOR ITEM	CONDITION	SPECIFICATION
HO2S2 HTR (B1) HO2S2 HTR (B2)	<ul style="list-style-type: none"> ● Engine speed: Below 3,600 rpm after the following conditions are met. <ul style="list-style-type: none"> - Engine: After warming up - Keeping the engine speed between 3,500 and 4,000 rpm for 1 minute and at idle for 1 minute under no load 	ON
	<ul style="list-style-type: none"> ● Engine speed: Above 3,600 rpm 	OFF

On Board Diagnosis Logic

NBS0004L

DTC No.	Trouble diagnosis name	DTC detecting condition	Possible cause
P0037 0037 (Bank 1)	HO2S2 heater control circuit low	The current amperage in the HO2S2 heater circuit is out of the normal range. (An excessively low voltage signal is sent to ECM through the HO2S2 heater.)	<ul style="list-style-type: none"> ● Harness or connectors (The HO2S2 heater circuit is open or shorted.) ● HO2S2 heater
P0057 0057 (Bank 2)			
P0038 0038 (Bank 1)	HO2S2 heater control circuit high	The current amperage in the HO2S2 heater circuit is out of the normal range. (An excessively high voltage signal is sent to ECM through the HO2S2 heater.)	<ul style="list-style-type: none"> ● Harness or connectors (The HO2S2 heater circuit is shorted.) ● HO2S2 heater
P0058 0058 (Bank 2)			

DTC Confirmation Procedure

NOTE:

If DTC Confirmation Procedure has been previously conducted, always turn ignition switch OFF and wait at least 10 seconds before conducting the next test.

TESTING CONDITION:

Before performing the following procedure, confirm that battery voltage is between 11V and 16V at idle.

WITH CONSULT-III

1. Start engine and warm it up to the normal operating temperature.
2. Turn ignition switch OFF and wait at least 10 seconds.
3. Start the engine and keep the engine speed between 3,500 rpm and 4,000 rpm for at least 1 minute under no load.
4. Let engine idle for 1 minute.
5. Check 1st trip DTC.
6. If 1st trip DTC is detected, go to [EC-179, "Diagnostic Procedure"](#).

WITH GST

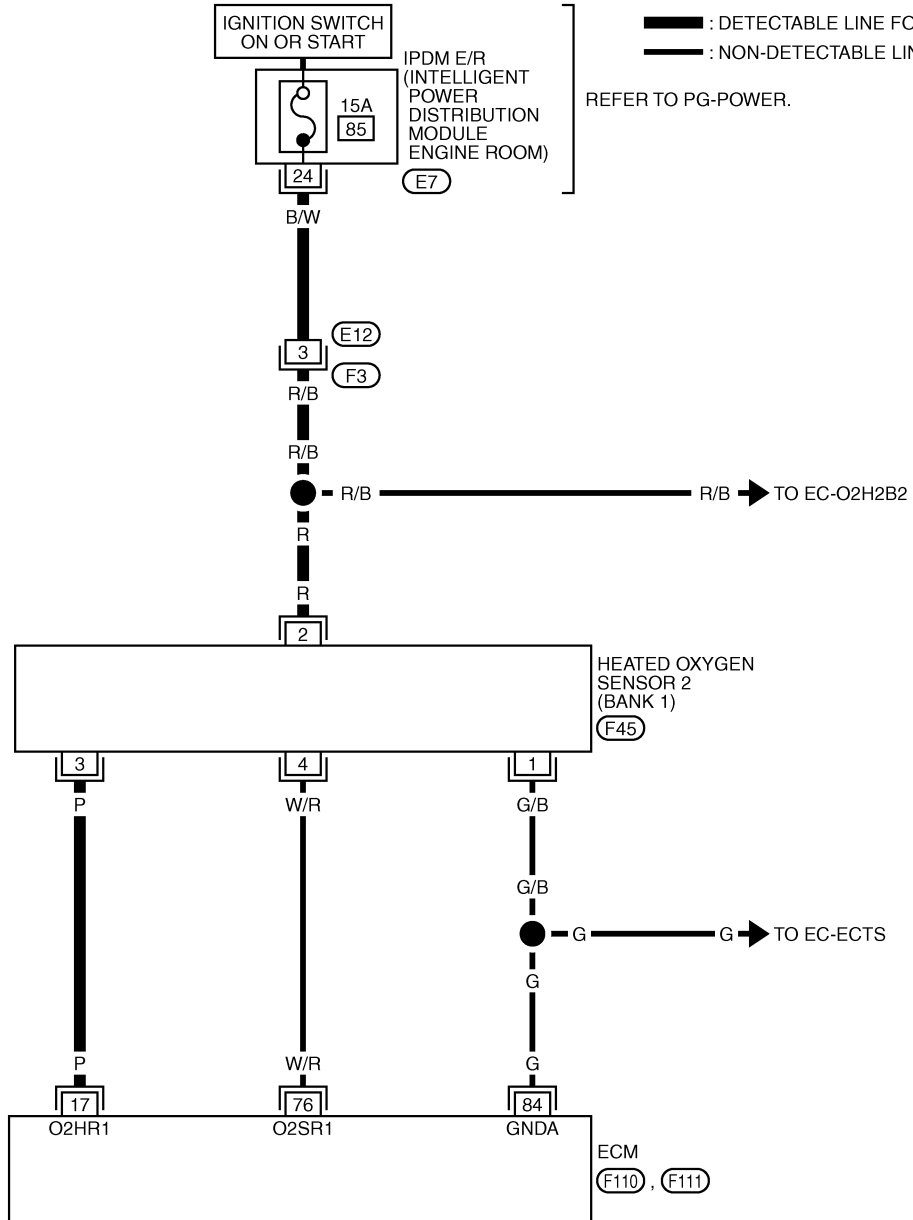
Follow the procedure "WITH CONSUT-III" above.

DTC P0037, P0038, P0057, P0058 HO2S2 HEATER

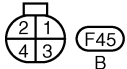
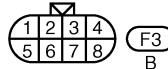
NBS0004N

Wiring Diagram BANK 1

EC-O2H2B1-01



23	22	21	20	19	18	17		
32	31	30	29	28	27	26	25	24



1	5	9	13	17	21	25	29	33	37	41	45
2	6	10	14	18	22	26	30	34	38	42	46
3	7	11	15	19	23	27	31	35	39	43	47
4	8	12	16	20	24	28	32	36	40	44	48



49	53	57	61	65	69	73	77	81	85	89	93
50	54	58	62	66	70	74	78	82	86	90	94
51	55	59	63	67	71	75	79	83	87	91	95
52	56	60	64	68	72	76	80	84	88	92	96



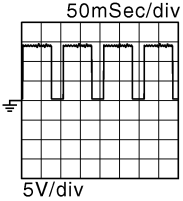
TBWT1619E

DTC P0037, P0038, P0057, P0058 HO2S2 HEATER

Specification data are reference values and are measured between each terminal and ground.

CAUTION:

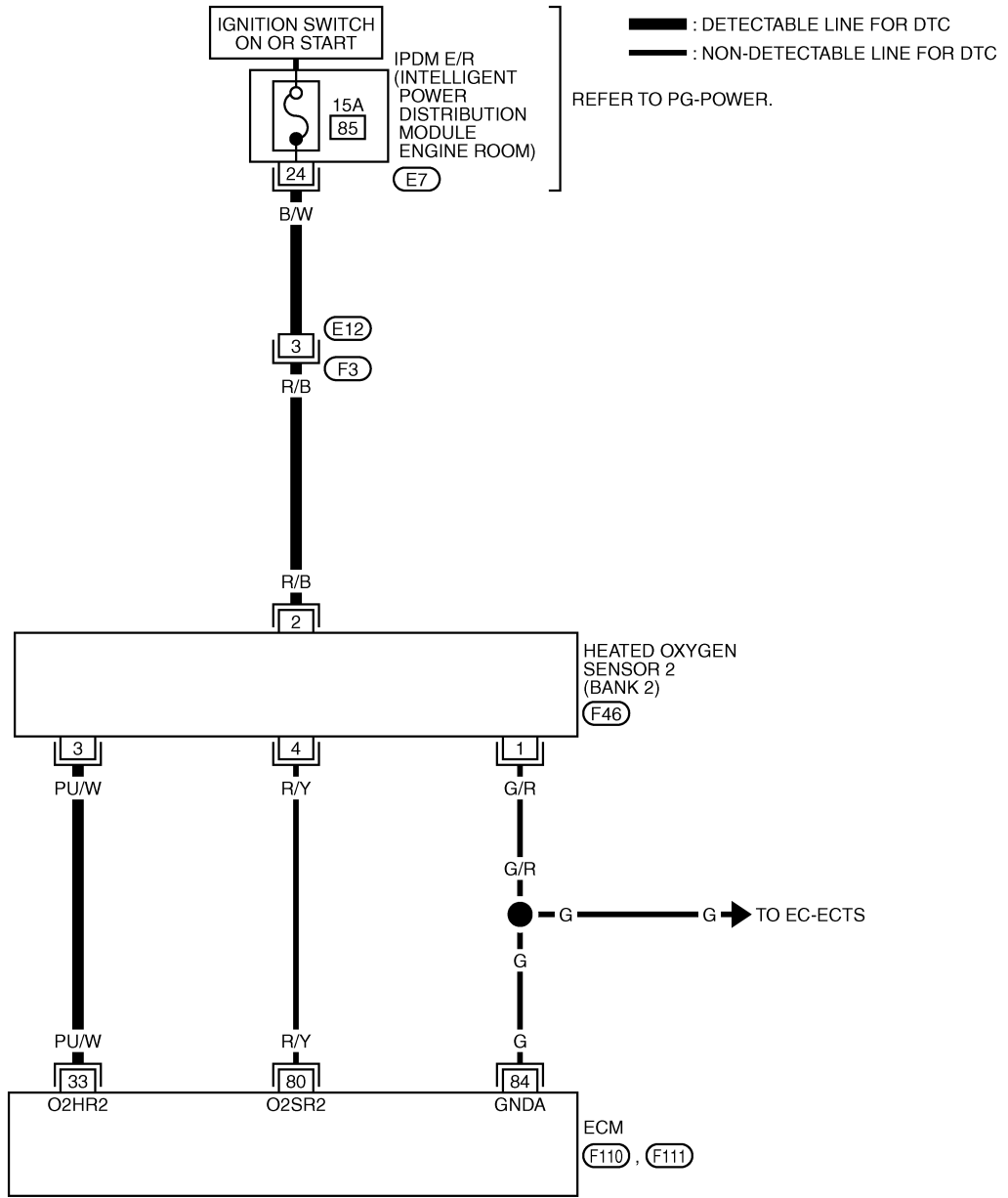
Do not use ECM ground terminals when measuring input/output voltage. Doing so may result in damage to the ECM's transistor. Use a ground other than ECM terminals, such as the ground.

TER-MINAL NO.	WIRE COLOR	ITEM	CONDITION	DATA (DC Voltage)
17	P	Heated oxygen sensor 2 heater (bank 1)	<p>[Engine is running]</p> <ul style="list-style-type: none"> ● Engine speed: Below 3,600 rpm after the following conditions are met. – Engine: After warming up – Keeping the engine speed between 3,500 and 4,000 rpm for 1 minute and at idle for 1 minute under no load. 	<p>0 - 14V★</p>  <p style="text-align: right; font-size: small;">PBB3545E</p>
			<p>[Ignition switch: ON]</p> <ul style="list-style-type: none"> ● Engine stopped <p>[Engine is running]</p> <ul style="list-style-type: none"> ● Engine speed: Above 3,600 rpm 	<p>BATTERY VOLTAGE (11 - 14V)</p>
76	W/R	Heated oxygen sensor 2 (bank 1)	<p>[Engine is running]</p> <ul style="list-style-type: none"> ● Revving engine from idle to 3,000 rpm quickly after the following conditions are met. – Engine: After warming up – Keeping the engine speed between 3,500 and 4,000 rpm for 1 minute and at idle for 1 minute under no load. 	<p>0 - 1.0V</p>
84	G	Sensor ground (Heated oxygen sensor 2, Engine coolant temperature sensor, Engine oil temperature sensor)	<p>[Engine is running]</p> <ul style="list-style-type: none"> ● Warm-up condition ● Idle speed 	<p>0V</p>

DTC P0037, P0038, P0057, P0058 HO2S2 HEATER

BANK 2

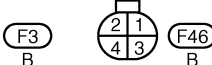
EC-O2H2B2-01



23	22	21	20	19	18	17		
32	31	30	29	28	27	26	25	24



1	2	3	4
5	6	7	8



1	5	9	13	17	21	25	29	33	37	41	45
2	6	10	14	18	22	26	30	34	38	42	46
3	7	11	15	19	23	27	31	35	39	43	47
4	8	12	16	20	24	28	32	36	40	44	48



49	53	57	61	65	69	73	77	81	85	89	93
50	54	58	62	66	70	74	78	82	86	90	94
51	55	59	63	67	71	75	79	83	87	91	95
52	56	60	64	68	72	76	80	84	88	92	96



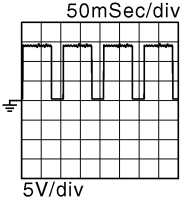
TBWT1620E

DTC P0037, P0038, P0057, P0058 HO2S2 HEATER

Specification data are reference values and are measured between each terminal and ground.

CAUTION:

Do not use ECM ground terminals when measuring input/output voltage. Doing so may result in damage to the ECM's transistor. Use a ground other than ECM terminals, such as the ground.

TER-MINAL NO.	WIRE COLOR	ITEM	CONDITION	DATA (DC Voltage)
33	PU/W	Heated oxygen sensor 2 heater (bank 2)	<p>[Engine is running]</p> <ul style="list-style-type: none"> ● Engine speed: Below 3,600 rpm after the following conditions are met. – Engine: After warming up – Keeping the engine speed between 3,500 and 4,000 rpm for 1 minute and at idle for 1 minute under no load. 	<p>0 - 14V★</p>  <p style="text-align: right; font-size: small;">PBB3545E</p>
			<p>[Ignition switch: ON]</p> <ul style="list-style-type: none"> ● Engine stopped <p>[Engine is running]</p> <ul style="list-style-type: none"> ● Engine speed: Above 3,600 rpm 	<p>BATTERY VOLTAGE (11 - 14V)</p>
80	R/Y	Heated oxygen sensor 2 (bank 2)	<p>[Engine is running]</p> <ul style="list-style-type: none"> ● Revving engine from idle to 3,000 rpm quickly after the following conditions are met. – Engine: After warming up – Keeping the engine speed between 3,500 and 4,000 rpm for 1 minute and at idle for 1 minute under no load. 	<p>0 - 1.0V</p>
84	G	Sensor ground Heated oxygen sensor 2, Engine coolant temperature sensor, Engine oil temperature sensor)	<p>[Engine is running]</p> <ul style="list-style-type: none"> ● Warm-up condition ● Idle speed 	<p>0V</p>

DTC P0037, P0038, P0057, P0058 HO2S2 HEATER

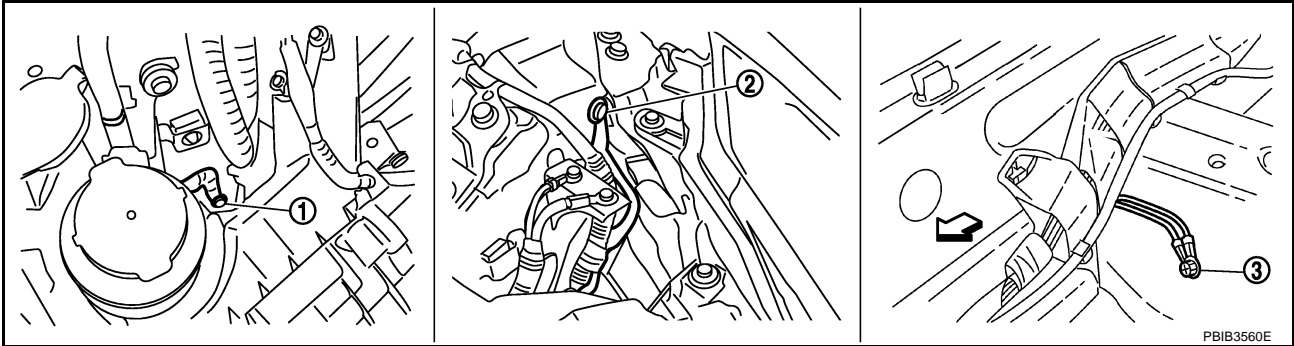
NBS00040

Diagnostic Procedure

1. CHECK GROUND CONNECTIONS

Models with VDC system, navigation system or telephone

1. Turn ignition switch OFF.
2. Loosen and retighten ground screws on the body. Refer to [EC-150, "Ground Inspection"](#).



1. Body ground E17

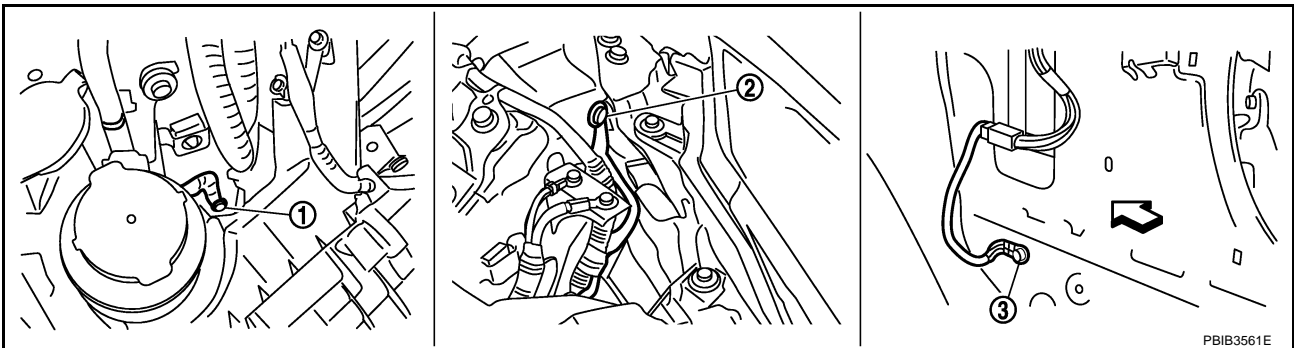
2. Body ground E43

3. Body ground B102

↔ Vehicle front

Models without VDC system, navigation system and telephone

1. Turn ignition switch OFF.
2. Loosen and retighten ground screws on the body. Refer to [EC-150, "Ground Inspection"](#).



1. Body ground E17

2. Body ground E43

3. Body ground F152
(Passenger side view with dash side
finisher removed)

↔ Vehicle front

OK or NG

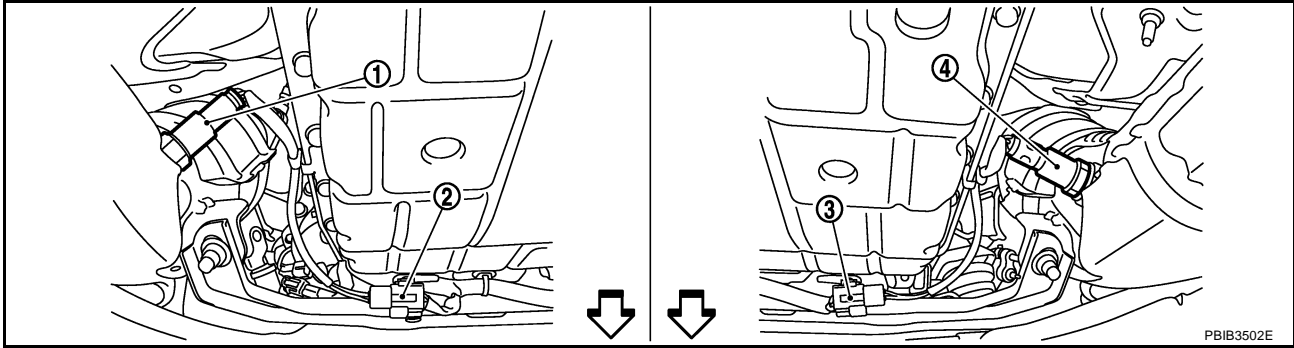
- OK >> GO TO 2.
NG >> Repair or replace ground connections.

A
EC
C
D
E
F
G
H
I
J
K
L
M

DTC P0037, P0038, P0057, P0058 HO2S2 HEATER

2. CHECK HO2S2 POWER SUPPLY CIRCUIT

1. Disconnect heated oxygen sensor 2 harness connector.



1. Heated oxygen sensor 2 (bank 2)
2. Heated oxygen sensor 2 (bank 2) harness connector
3. Heated oxygen sensor 2 (bank 1)

4. Heated oxygen sensor 2 (bank 1) harness connector

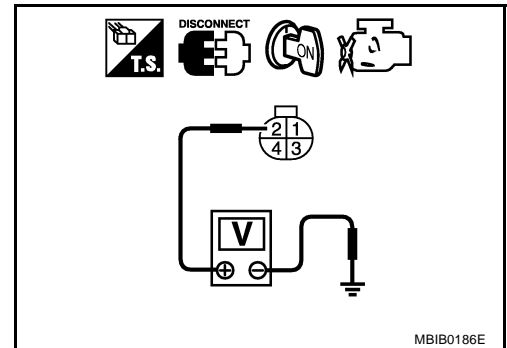
← Vehicle front

2. Turn ignition switch ON.
3. Check voltage between HO2S2 terminal 2 and ground with CONSULT-III or tester.

Voltage: Battery voltage

OK or NG

- OK >> GO TO 4.
- NG >> GO TO 3.



3. DETECT MALFUNCTIONING PART

Check the following.

- Harness connectors E12, F3
- 15A fuse
- Harness for open or short between heated oxygen sensor 2 and fuse

>> Repair open circuit or short to ground or short to power in harness or connectors.

DTC P0037, P0038, P0057, P0058 HO2S2 HEATER

4. CHECK HO2S2 HEATER OUTPUT SIGNAL CIRCUIT FOR OPEN AND SHORT

1. Turn ignition switch OFF.
2. Disconnect ECM harness connector.
3. Check harness continuity between ECM terminal and HO2S2 terminal as follows.
Refer to Wiring Diagram.

DTC	Terminals		Bank
	ECM	Sensor	
P0037, P0038	17	3	1
P0057, P0058	33	3	2

Continuity should exist.

4. Also check harness for short to ground and short to power.

OK or NG

OK >> GO TO 5.

NG >> Repair open circuit or short to ground or short to power in harness or connectors.

5. CHECK HEATED OXYGEN SENSOR 2 HEATER

Refer to [EC-181, "Component Inspection"](#) .

OK or NG

OK >> GO TO 6.

NG >> Replace malfunctioning heated oxygen sensor 2.

6. CHECK INTERMITTENT INCIDENT

Refer to [EC-141, "TROUBLE DIAGNOSIS FOR INTERMITTENT INCIDENT"](#) .

>> **INSPECTION END**

Component Inspection HEATED OXYGEN SENSOR 2 HEATER

NBS0004P

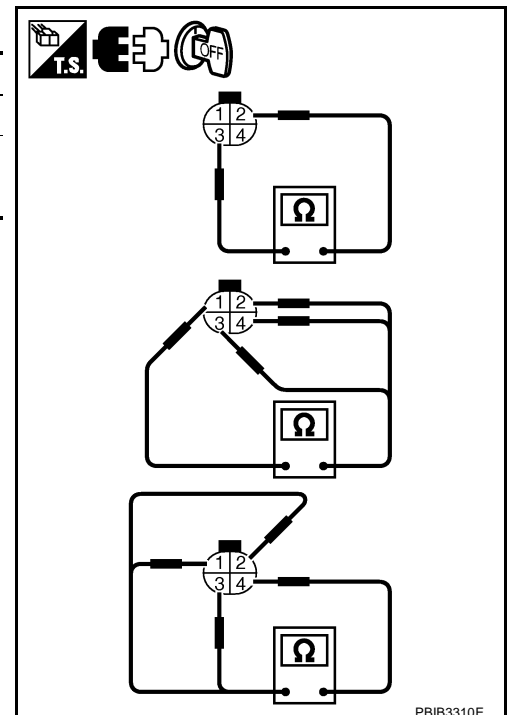
1. Check resistance between HO2S2 terminals as follows.

Terminal No.	Resistance
2 and 3	3.4 - 4.4 Ω [at 25°C (77°F)]
1 and 2, 3, 4	$\infty \Omega$
4 and 1, 2, 3	(Continuity should not exist)

2. If NG, replace heated oxygen sensor 2.

CAUTION:

- Discard any heated oxygen sensor which has been dropped from a height of more than 0.5 m (19.7 in) onto a hard surface such as a concrete floor; use a new one.
- Before installing new oxygen sensor, clean exhaust system threads using Oxygen Sensor Thread Cleaner tool J-43897-18 or J-43897-12 and approved anti-seize lubricant.



PBIB3310E

DTC P0037, P0038, P0057, P0058 HO2S2 HEATER

Removal and Installation HEATED OXYGEN SENSOR 2

NBS0004Q

Refer to [EM-22, "EXHAUST MANIFOLD AND THREE WAY CATALYST"](#) .

DTC P0075, P0081 IVT CONTROL SOLENOID VALVE

DTC P0075, P0081 IVT CONTROL SOLENOID VALVE

PFP:23796

Component Description

NBS000BR

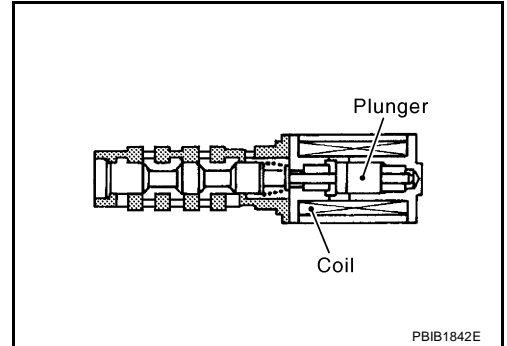
Intake valve timing control solenoid valve is activated by ON/OFF pulse duty (ratio) signals from the ECM.

The intake valve timing control solenoid valve changes the oil amount and direction of flow through intake valve timing control unit or stops oil flow.

The longer pulse width advances valve angle.

The shorter pulse width retards valve angle.

When ON and OFF pulse widths become equal, the solenoid valve stops oil pressure flow to fix the intake valve angle at the control position.



CONSULT-III Reference Value in Data Monitor Mode

NBS000BS

Specification data are reference values.

MONITOR ITEM	CONDITION		SPECIFICATION
INT/V SOL(B1) INT/V SOL(B2)	<ul style="list-style-type: none"> ● Engine: After warming up ● Shift lever: P or N (A/T), Neutral (M/T) 	Idle	0% - 2%
	<ul style="list-style-type: none"> ● Air conditioner switch: OFF ● No load 	2,000 rpm	Approx. 0% - 50%

On Board Diagnosis Logic

NBS000BT

DTC No.	Trouble diagnosis name	DTC detecting condition	Possible cause
P0075 0075 (Bank 1)	Intake valve timing control solenoid valve circuit	An improper voltage is sent to the ECM through intake valve timing control solenoid valve.	<ul style="list-style-type: none"> ● Harness or connectors (The intake valve timing control solenoid valve circuit is open or shorted.) ● Intake valve timing control solenoid valve
P0081 0081 (Bank 2)			

DTC Confirmation Procedure

NBS000BU

NOTE:

If DTC Confirmation Procedure has been previously conducted, always turn ignition switch OFF and wait at least 10 seconds before conducting the next test.

Ⓟ WITH CONSULT-III

1. Start engine and let it idle for 5 seconds.
2. Check 1st trip DTC.
3. If 1st trip DTC is detected, go to [EC-188, "Diagnostic Procedure"](#).

Ⓢ WITH GST

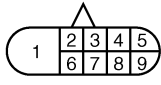
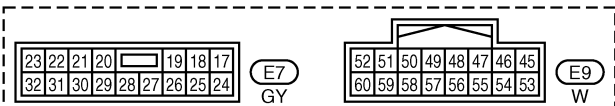
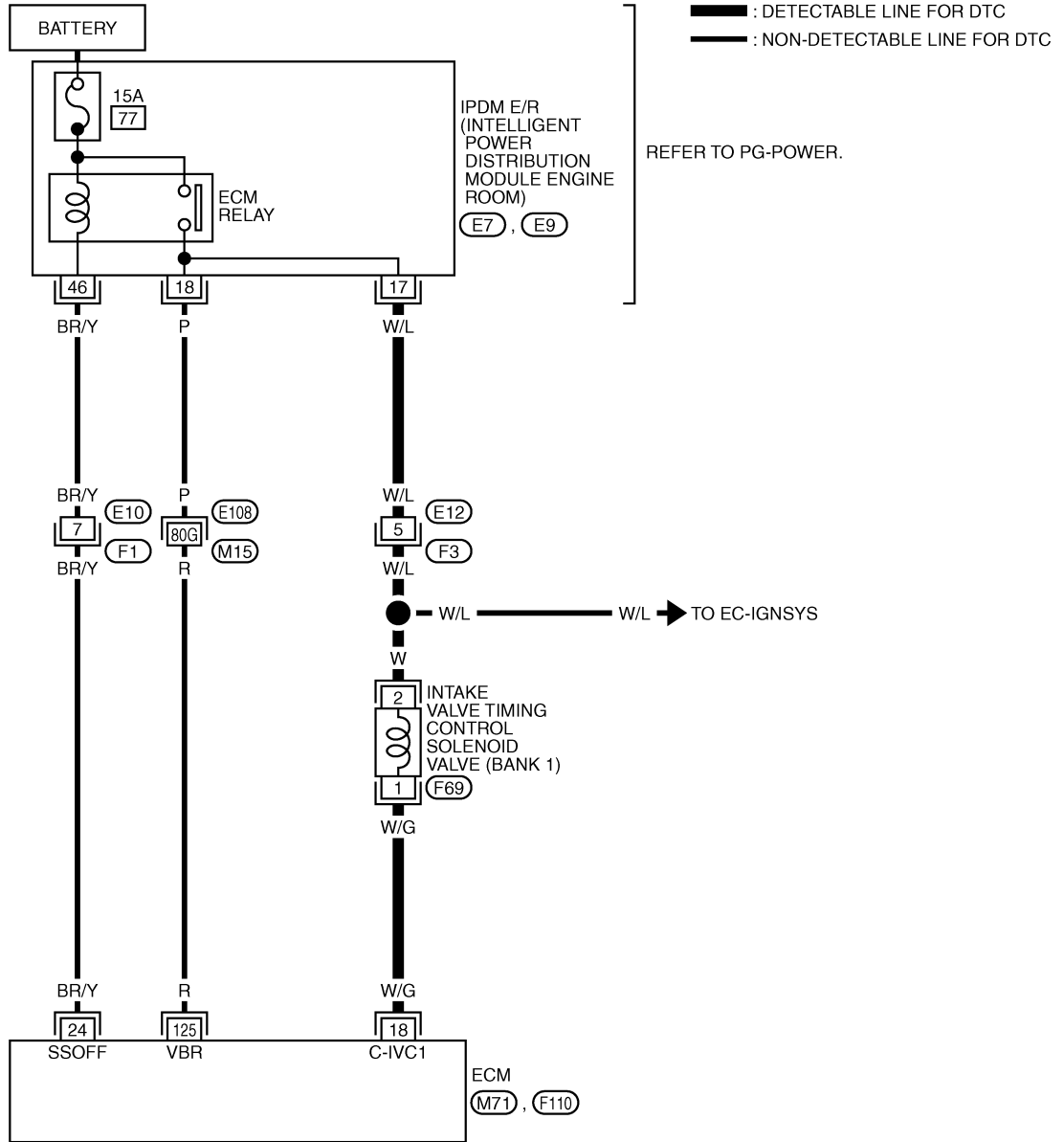
Following the procedure "WITH CONSULT-III" above.

DTC P0075, P0081 IVT CONTROL SOLENOID VALVE

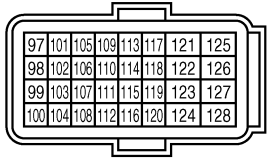
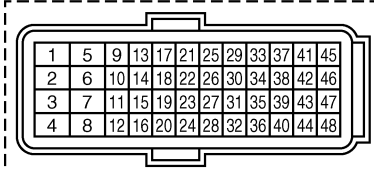
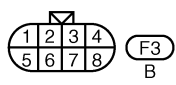
NBS000BV

Wiring Diagram BANK 1

EC-IVCB1-01



REFER TO THE FOLLOWING.
(E108) -SUPER MULTIPLE JUNCTION (SMJ)



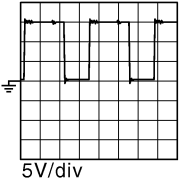
TBWT1621E

DTC P0075, P0081 IVT CONTROL SOLENOID VALVE

Specification data are reference values and are measured between each terminal and ground.
Pulse signal is measured by CONSULT-III.

CAUTION:

Do not use ECM ground terminals when measuring input/output voltage. Doing so may result in damage to the ECM's transistor. Use a ground other than ECM terminals, such as the ground.

TER-MINAL NO.	WIRE COLOR	ITEM	CONDITION	DATA (DC Voltage)
18	W/G	Intake valve timing control solenoid valve (bank 1)	[Engine is running] ● Warm-up condition ● Idle speed	BATTERY VOLTAGE (11 - 14V)
			[Engine is running] ● Warm-up condition ● Engine speed: 2,000 rpm	7 - 12V★ 
24	BR/Y	ECM relay (Self shut-off)	[Engine is running] [Ignition switch: OFF] ● For a few seconds after turning ignition switch OFF	0 - 1.5V
			[Ignition switch: OFF] ● More than a few seconds after turning ignition switch OFF	BATTERY VOLTAGE (11 - 14V)
125	R	Power supply for ECM	[Ignition switch: ON]	BATTERY VOLTAGE (11 - 14V)

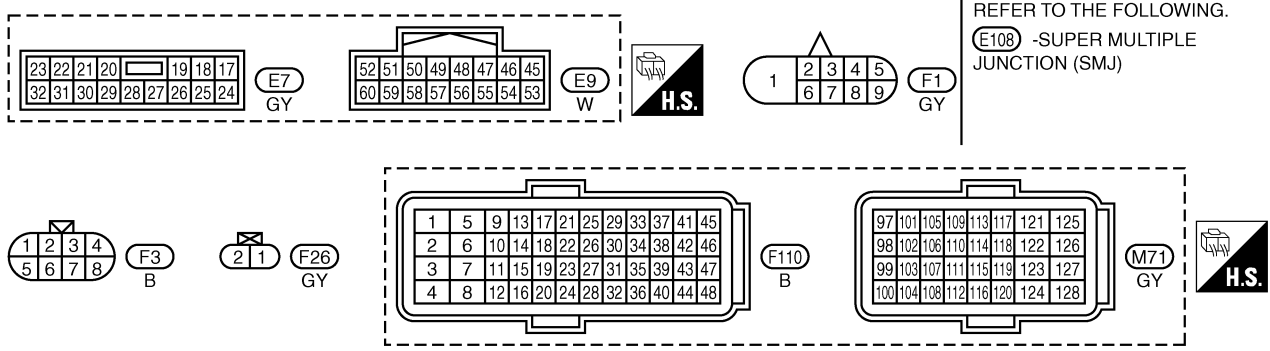
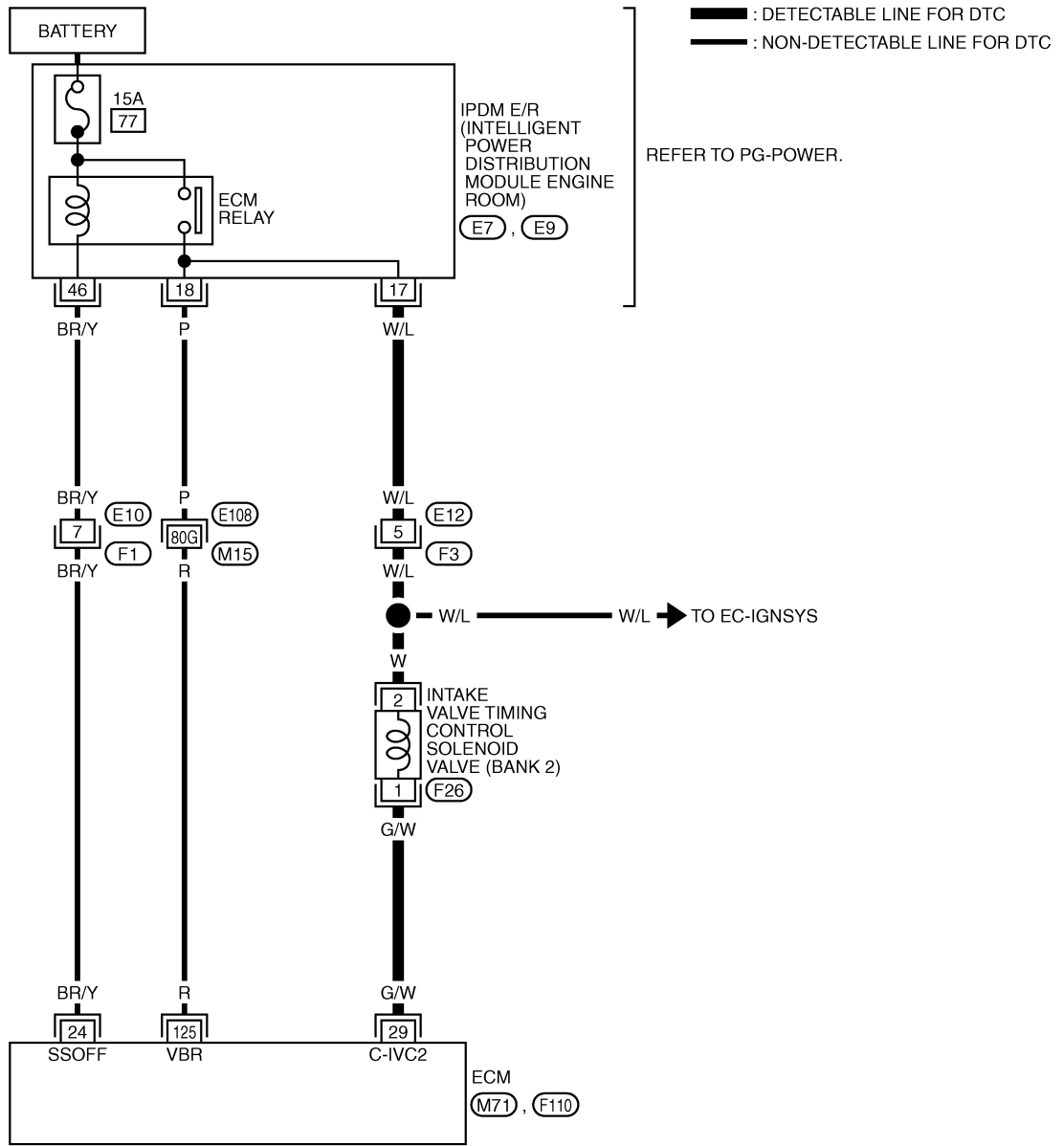
★: Average voltage for pulse signal (Actual pulse signal can be confirmed by oscilloscope.)

A
EC
C
D
E
F
G
H
I
J
K
L
M

DTC P0075, P0081 IVT CONTROL SOLENOID VALVE

BANK 2

EC-IVCB2-01



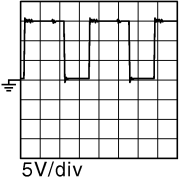
TBWT1622E

DTC P0075, P0081 IVT CONTROL SOLENOID VALVE

Specification data are reference values and are measured between each terminal and ground.
Pulse signal is measured by CONSULT-III.

CAUTION:

Do not use ECM ground terminals when measuring input/output voltage. Doing so may result in damage to the ECM's transistor. Use a ground other than ECM terminals, such as the ground.

TER-MINAL NO.	WIRE COLOR	ITEM	CONDITION	DATA (DC Voltage)
24	BR/Y	ECM relay (Self shut-off)	[Engine is running] [Ignition switch: OFF] <ul style="list-style-type: none"> For a few seconds after turning ignition switch OFF 	0 - 1.5V
			[Ignition switch: OFF] <ul style="list-style-type: none"> More than a few seconds after turning ignition switch OFF 	BATTERY VOLTAGE (11 - 14V)
29	G/W	Intake valve timing control solenoid valve (bank 2)	[Engine is running] <ul style="list-style-type: none"> Warm-up condition Idle speed 	BATTERY VOLTAGE (11 - 14V)
			[Engine is running] <ul style="list-style-type: none"> Warm-up condition Engine speed: 2,000 rpm 	7 - 12V★ 
125	R	Power supply for ECM	[Ignition switch: ON]	BATTERY VOLTAGE (11 - 14V)

★: Average voltage for pulse signal (Actual pulse signal can be confirmed by oscilloscope.)

A
EC
C
D
E
F
G
H
I
J
K
L
M

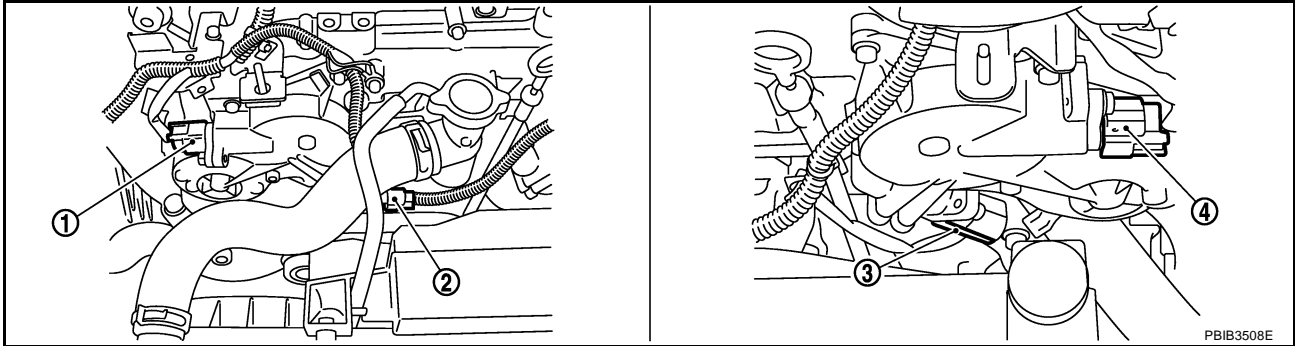
DTC P0075, P0081 IVT CONTROL SOLENOID VALVE

NBS000BW

Diagnostic Procedure

1. CHECK INTAKE VALVE TIMING CONTROL SOLENOID VALVE POWER SUPPLY CIRCUIT

1. Turn ignition switch OFF.
2. Disconnect intake valve timing control solenoid valve harness connector.



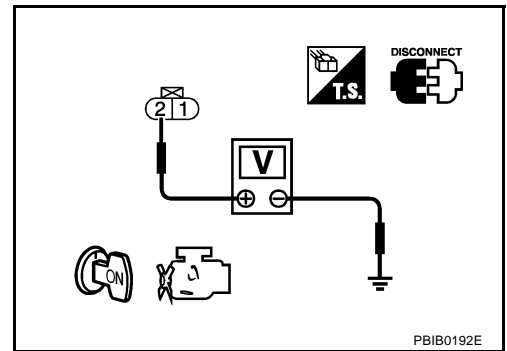
1. Exhaust valve timing control magnet retarder (bank 1) harness connector
2. Intake valve timing control solenoid valve (bank 1) harness connector
3. Intake valve timing control solenoid valve (bank 2) harness connector
4. Exhaust valve timing control magnet retarder (bank 2) harness connector

3. Turn ignition switch ON.
4. Check voltage between intake valve timing control solenoid valve terminal 2 and ground with CONSULT-III or tester.

Voltage: Battery voltage

OK or NG

- OK >> GO TO 3.
- NG >> GO TO 2.



2. DETECT MALFUNCTIONING PART

Check the following.

- Harness connectors E12, F3
- Harness for open or short between intake valve timing control solenoid valve and IPDM E/R

>> Repair open circuit or short to ground or short to power in harness or connectors.

3. CHECK INTAKE VALVE TIMING CONTROL SOLENOID VALVE OUTPUT SIGNAL CIRCUIT FOR OPEN AND SHORT

1. Turn ignition switch OFF.
2. Disconnect ECM harness connector.
3. Check harness continuity between ECM terminal 18 (bank 1) or 29 (bank 2) and intake valve timing control solenoid valve terminal 1. Refer to Wiring Diagram.

Continuity should exist.

4. Also check harness for short to ground and short to power.

OK or NG

- OK >> GO TO 4.
- NG >> Repair open circuit or short to ground or short to power in harness or connectors.

DTC P0075, P0081 IVT CONTROL SOLENOID VALVE

4. CHECK INTAKE VALVE TIMING CONTROL SOLENOID VALVE

Refer to [EC-189, "Component Inspection"](#) .

OK or NG

- OK >> GO TO 5.
- NG >> Replace malfunctioning intake valve timing control solenoid valve.

5. CHECK INTERMITTENT INCIDENT

Refer to [EC-141, "TROUBLE DIAGNOSIS FOR INTERMITTENT INCIDENT"](#) .

>> INSPECTION END

Component Inspection INTAKE VALVE TIMING CONTROL SOLENOID VALVE

NBS000BX

1. Disconnect intake valve timing control solenoid valve harness connector.
2. Check resistance between intake valve timing control solenoid valve as follows.

Terminal	Resistance
1 and 2	7.0 - 7.5Ω [at 20°C (68°F)]
1 or 2 and ground	∞ Ω (Continuity should not exist.)

If NG, replace intake valve timing control solenoid valve.
If OK, go to next step.

3. Remove intake valve timing control solenoid valve.
4. Provide 12V DC between intake valve timing control solenoid valve terminals and then interrupt it. Make sure that the plunger moves as shown in the figure.

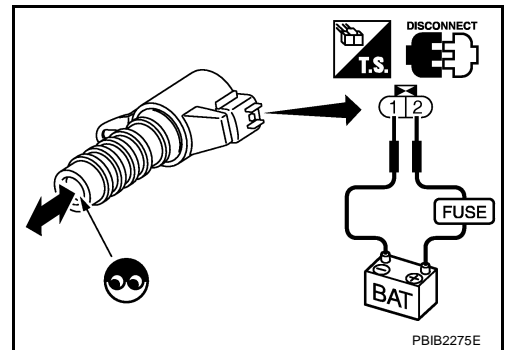
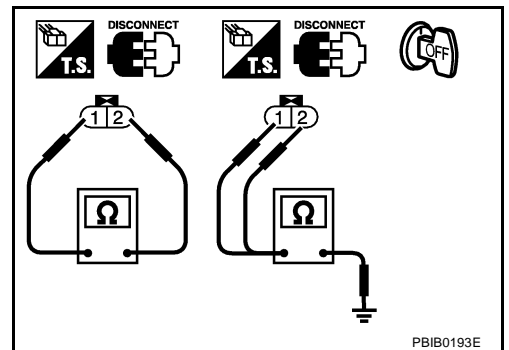
CAUTION:

Do not apply 12V DC continuously for 5 seconds or more. Doing so may result in damage to the coil in intake valve timing control solenoid valve.

If NG, replace intake valve timing control solenoid valve.

NOTE:

Always replace O-ring when intake valve timing control solenoid valve is removed.



NBS000BY

Removal and Installation INTAKE VALVE TIMING CONTROL SOLENOID VALVE

Refer to [EM-53, "TIMING CHAIN"](#) .

DTC P0078 P0084 EVT CONTROL MAGNET RETARDER

DTC P0078 P0084 EVT CONTROL MAGNET RETARDER

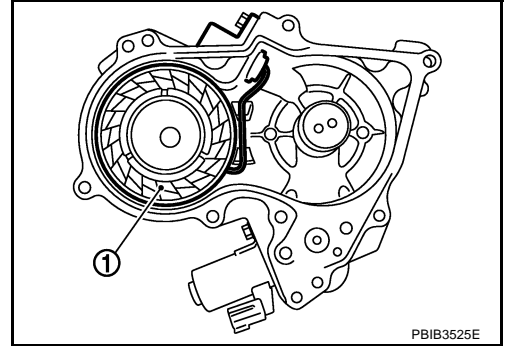
PF:23795

Component Description

NBS0004R

Exhaust valve timing control magnet retarder (1) controls the shut/open timing of the exhaust valve by ON/OFF pulse duty signals sent from the ECM.

The longer pulse width retards valve angle.
The shorter pulse width advances valve angle.



CONSULT-III Reference Value in Data Monitor Mode

NBS0004S

Specification data are reference values.

MONITOR ITEM	CONDITION		SPECIFICATION
EX VTC DTY B1 EX VTC DTY B2	<ul style="list-style-type: none"> ● Engine: After warming up ● Shift lever: Neutral ● Air conditioner switch: OFF ● No load 	Idle	0% - 2%
		Around 2,500 rpm while the engine speed is rising	Approx. 0% - 70%

On Board Diagnosis Logic

NBS0004T

DTC No.	Trouble diagnosis name	DTC detecting condition	Possible cause
P0078 0078 (Bank 1)	Exhaust valve timing control magnet retarder circuit	An improper voltage is sent to the ECM through exhaust valve timing control magnet retarder.	<ul style="list-style-type: none"> ● Harness or connectors (Exhaust valve timing control magnet retarder circuit is open or shorted.) ● Exhaust valve timing control magnet retarder
P0084 0084 (Bank 2)			

DTC Confirmation Procedure

NBS0004U

NOTE:

If DTC Confirmation Procedure has been previously conducted, always turn ignition switch OFF and wait at least 10 seconds before conducting the next test.

WITH CONSULT-III

1. Start engine and let it idle for 5 seconds.
2. Check 1st trip DTC.
3. If 1st trip DTC is detected, go to [EC-195, "Diagnostic Procedure"](#).

WITH GST

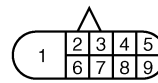
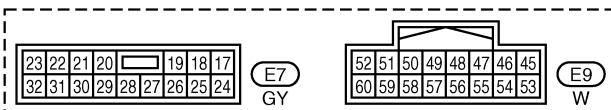
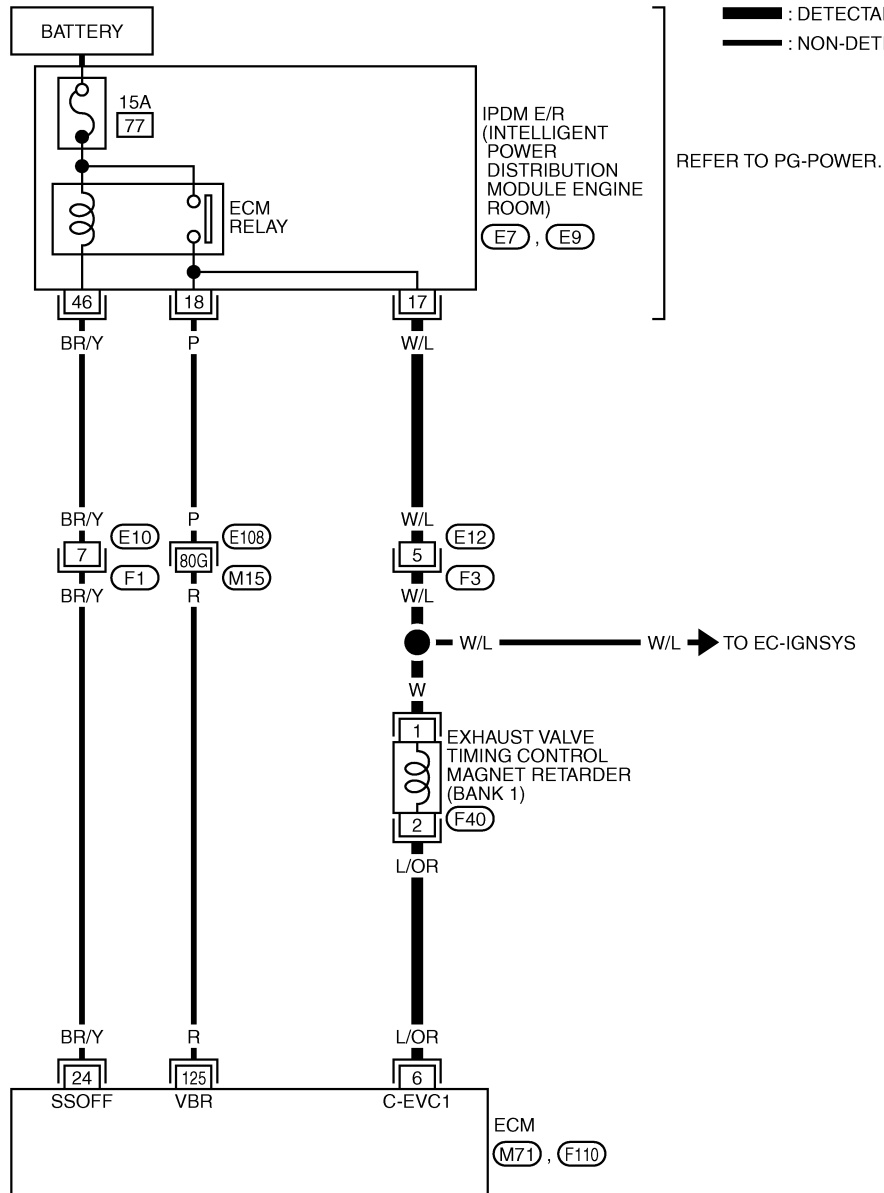
Following the procedure "WITH CONSULT-III" above.

DTC P0078 P0084 EVT CONTROL MAGNET RETARDER

Wiring Diagram BANK 1

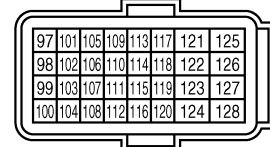
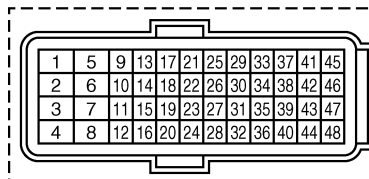
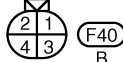
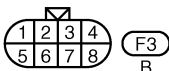
NBS0004V

EC-EVCB1-01



REFER TO THE FOLLOWING.

(E108) -SUPER MULTIPLE JUNCTION (SMJ)



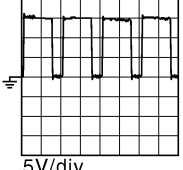
TBWT1623E

DTC P0078 P0084 EVT CONTROL MAGNET RETARDER

Specification data are reference values and are measured between each terminal and ground.
Pulse signal is measured by CONSULT-III.

CAUTION:

Do not use ECM ground terminals when measuring input/output voltage. Doing so may result in damage to the ECM's transistor. Use a ground other than ECM terminals, such as the ground.

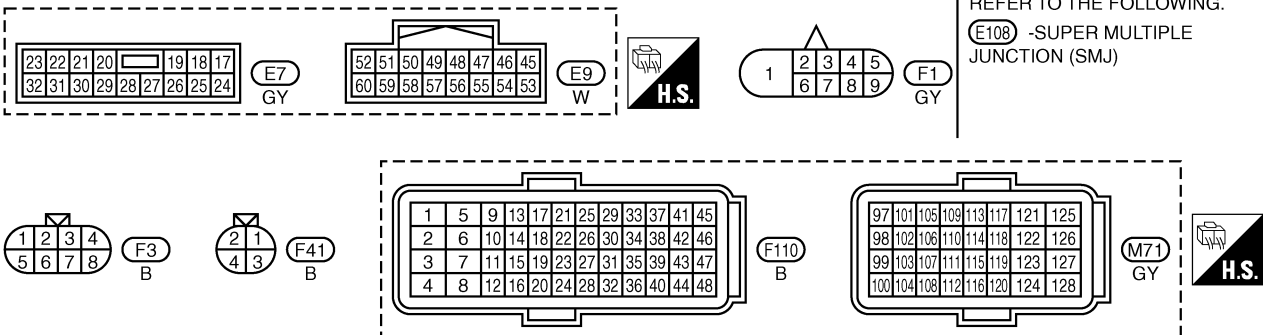
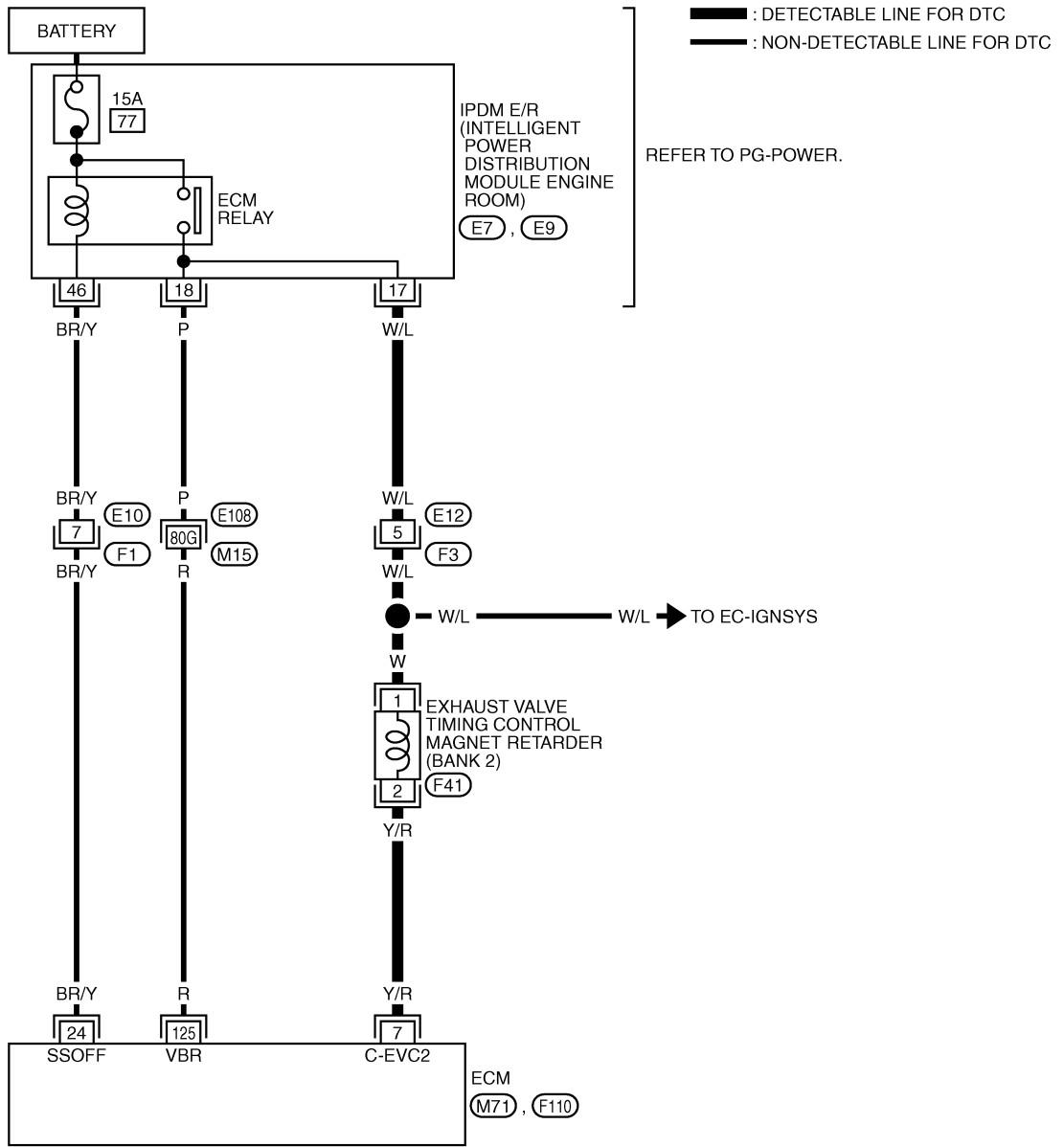
TER-MINAL NO.	WIRE COLOR	ITEM	CONDITION	DATA (DC Voltage)
6	L/OR	Exhaust valve timing control magnet retarder (bank 1)	[Engine is running] <ul style="list-style-type: none"> ● Warm-up condition ● Idle speed 	BATTERY VOLTAGE (11 - 14V)
			[Engine is running] <ul style="list-style-type: none"> ● Warm-up condition ● Around 2,500 rpm while the engine speed is rising 	7 - 12V★ 
24	BR/Y	ECM relay (Self shut-off)	[Engine is running] [Ignition switch: OFF] <ul style="list-style-type: none"> ● For a few seconds after turning ignition switch OFF 	0 - 1.5V
			[Ignition switch: OFF] <ul style="list-style-type: none"> ● More than a few seconds after turning ignition switch OFF 	BATTERY VOLTAGE (11 - 14V)
125	R	Power supply for ECM	[Ignition switch: ON]	BATTERY VOLTAGE (11 - 14V)

★: Average voltage for pulse signal (Actual pulse signal can be confirmed by oscilloscope.)

DTC P0078 P0084 EVT CONTROL MAGNET RETARDER

BANK 2

EC-EVCB2-01



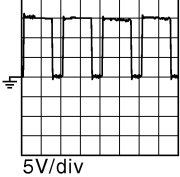
TBWT1624E

DTC P0078 P0084 EVT CONTROL MAGNET RETARDER

Specification data are reference values and are measured between each terminal and ground.
Pulse signal is measured by CONSULT-III.

CAUTION:

Do not use ECM ground terminals when measuring input/output voltage. Doing so may result in damage to the ECM's transistor. Use a ground other than ECM terminals, such as the ground.

TER-MINAL NO.	WIRE COLOR	ITEM	CONDITION	DATA (DC Voltage)
7	Y/R	Exhaust valve timing control magnet retarder (bank 2)	[Engine is running] <ul style="list-style-type: none"> ● Warm-up condition ● Idle speed 	BATTERY VOLTAGE (11 - 14V)
			[Engine is running] <ul style="list-style-type: none"> ● Warm-up condition ● Around 2,500 rpm while the engine speed is rising 	7 - 12V★ 
24	BR/Y	ECM relay (Self shut-off)	[Engine is running] [Ignition switch: OFF] <ul style="list-style-type: none"> ● For a few seconds after turning ignition switch OFF 	0 - 1.5V
			[Ignition switch: OFF] <ul style="list-style-type: none"> ● More than a few seconds after turning ignition switch OFF 	BATTERY VOLTAGE (11 - 14V)
125	R	Power supply for ECM	[Ignition switch: ON]	BATTERY VOLTAGE (11 - 14V)

★: Average voltage for pulse signal (Actual pulse signal can be confirmed by oscilloscope.)

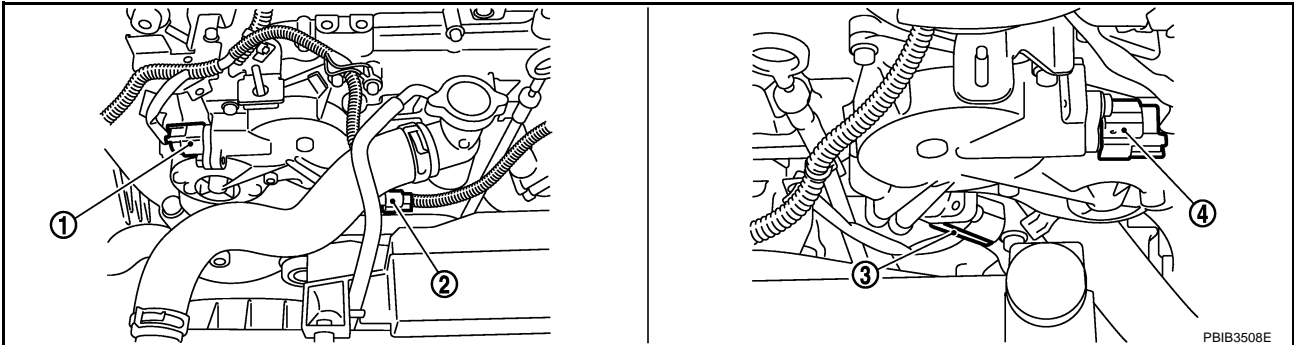
DTC P0078 P0084 EVT CONTROL MAGNET RETARDER

NBS0004W

Diagnostic Procedure

1. CHECK EXHAUST VALVE TIMING CONTROL MAGNET RETARDER POWER SUPPLY CIRCUIT

1. Turn ignition switch OFF.
2. Disconnect exhaust valve timing control magnet retarder harness connector.

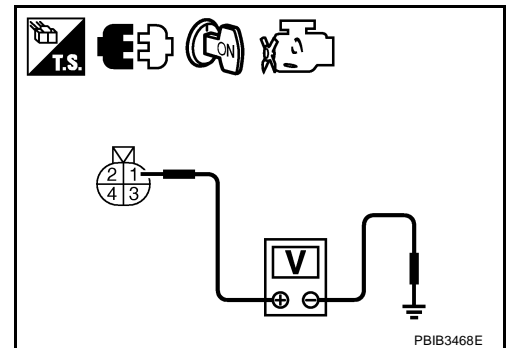


1. Exhaust valve timing control magnet retarder (bank 1) harness connector
 2. Intake valve timing control solenoid valve (bank 1) harness connector
 3. Intake valve timing control solenoid valve (bank 2) harness connector
 4. Exhaust valve timing control magnet retarder (bank 2) harness connector
3. Turn ignition switch ON.
 4. Check voltage between exhaust valve timing control magnet retarder terminal 1 and ground with CONSULT-III or tester.

Voltage: Battery voltage

OK or NG

- OK >> GO TO 3.
- NG >> GO TO 2.



2. DETECT MALFUNCTIONING PART

Check the following.

- Harness connectors E12, F3
- Harness for open or short between exhaust valve timing control magnet retarder and IPDM E/R

>> Repair open circuit or short to ground or short to power in harness or connectors.

3. CHECK EXHAUST VALVE TIMING CONTROL MAGNET RETARDER OUTPUT SIGNAL CIRCUIT FOR OPEN AND SHORT

1. Turn ignition switch OFF.
2. Disconnect ECM harness connector.
3. Checking harness continuity between exhaust valve timing control magnet retarder terminal 2 and ECM terminal 6 (bank 1), 7 (bank 2).
Refer to Wiring Diagram

Continuity should exist.

4. Also check harness for short to ground and short to power.

OK or NG

- OK >> GO TO 4.
- NG >> Repair open circuit or short to ground or short to power in harness or connectors.

DTC P0078 P0084 EVT CONTROL MAGNET RETARDER

4. CHECK EXHAUST VALVE TIMING CONTROL MAGNET RETARDER

Refer to [EC-196, "Component Inspection"](#) .

OK or NG

- OK >> GO TO 6.
- NG >> GO TO 5.

5. REPLACE EXHAUST VALVE TIMING CONTROL MAGNET RETARDER

1. Replace malfunctioning exhaust valve timing control magnet retarder.
2. Perform [EC-76, "Exhaust Valve Timing Control Learning"](#) .

>> INSPECTION END

6. CHECK INTERMITTENT INCIDENT

Refer to [EC-141, "TROUBLE DIAGNOSIS FOR INTERMITTENT INCIDENT"](#) .

>> INSPECTION END

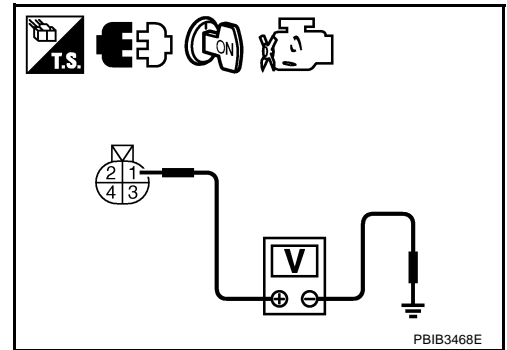
Component Inspection EXHAUST VALVE TIMING CONTROL MAGNET RETARDER

NBS0004X

1. Disconnect exhaust valve timing control magnet retarder harness connector.
2. Check resistance between exhaust valve timing control magnet retarder terminals 1 and 2.

Resistance: 9.0 - 11.0Ω [at 20°C (68°F)]

3. If NG, replace exhaust valve timing control magnet retarder and go to the next step.
4. Perform [EC-76, "Exhaust Valve Timing Control Learning"](#) .



NBS0004Y

Removal and Installation EXHAUST VALVE TIMING CONTROL MAGNET RETARDER

Refer to [EM-44, "FRONT TIMING CHAIN CASE"](#) .

DTC P0101, P010B MAF SENSOR

DTC P0101, P010B MAF SENSOR

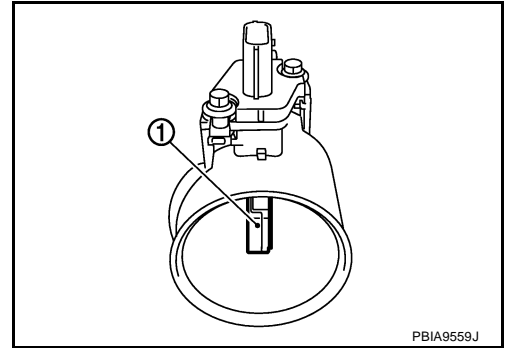
PFP:22680

Component Description

NBS0004Z

The mass air flow sensor (1) is placed in the stream of intake air. It measures the intake flow rate by measuring a part of the entire intake flow. The mass air flow sensor controls the temperature of the hot wire is to a certain amount. The heat generated by the hot wire is reduced as the intake air flows around it. The more air, the greater the heat loss.

Therefore, the electric current supplied to hot wire is changed to maintain the temperature of the hot wire as air flow increases. The ECM detects the air flow by means of this current change.



CONSULT-III Reference Value in Data Monitor Mode

NBS00050

Specification data are reference values.

MONITOR ITEM	CONDITION	SPECIFICATION
MAS A/F SE-B1	See EC-132, "TROUBLE DIAGNOSIS - SPECIFICATION VALUE" .	
MAS A/F SE-B2		
CAL/LD VALUE	● Engine: After warming up ● Shift lever: P or N (A/T), Neutral (M/T) ● Air conditioner switch: OFF ● No load	Idle 5% - 35%
		2,500 rpm 5% - 35%
MASS AIRFLOW	● Engine: After warming up ● Shift lever: P or N (A/T), Neutral (M/T) ● Air conditioner switch: OFF ● No load	Idle 2.0 - 6.0 g-m/s
		2,500 rpm 7.0 - 20.0 g-m/s

On Board Diagnosis Logic

NBS00051

DTC No.	Trouble diagnosis name	DTC detecting condition	Possible cause
P0101 0101 (Bank 1)	Mass air flow sensor circuit range/performance problem	A)	<ul style="list-style-type: none"> ● Harness or connectors (The sensor circuit is open or shorted.) ● Mass air flow sensor ● EVAP control system pressure sensor ● Intake air temperature sensor
P010B 010B (Bank 2)		B)	<ul style="list-style-type: none"> ● Harness or connectors (The sensor circuit is open or shorted.) ● Intake air leaks ● Mass air flow sensor ● EVAP control system pressure sensor ● Intake air temperature sensor

DTC P0101, P010B MAF SENSOR

NBS00052

DTC Confirmation Procedure

Perform PROCEDURE FOR MALFUNCTION A first.

If the DTC cannot be confirmed, perform PROCEDURE FOR MALFUNCTION B.

NOTE:

If DTC Confirmation Procedure has been previously conducted, always turn ignition switch OFF and wait at least 10 seconds before conducting the next test.

PROCEDURE FOR MALFUNCTION A

NOTE:

If engine will not start or stops soon, wait at least 10 seconds with engine stopped (Ignition switch ON) instead of running engine at idle speed.

With CONSULT-III

1. Start engine and warm it up to normal operating temperature.
2. Run engine for at least 10 seconds at idle speed.
3. Check 1st trip DTC.
4. If 1st trip DTC is detected, go to [EC-203, "Diagnostic Procedure"](#).

With GST

Follow the procedure "With CONSULT-III" above.

PROCEDURE FOR MALFUNCTION B

CAUTION:

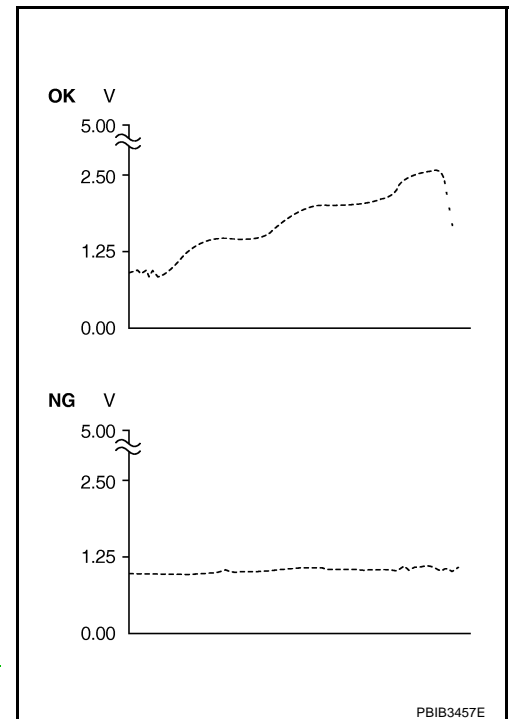
Always drive vehicle at a safe speed.

With CONSULT-III

1. Start engine and warm it up to normal operating temperature.
If engine cannot be started, go to [EC-203, "Diagnostic Procedure"](#).
2. Select "DATA MONITOR" mode with CONSULT-III.
3. Check the voltage of "MAS A/F SE-B1" and "MAS A/F SE-B2" with "DATA MONITOR".
4. Increases engine speed to about 4,000 rpm.
5. Monitor the linear voltage rise in response to engine speed increases.
If NG, go to [EC-203, "Diagnostic Procedure"](#).
If OK, go to following step.
6. Maintain the following conditions for at least 10 consecutive seconds.

ENG SPEED	More than 2,000 rpm
THRTL SEN 1	More than 3V
THRTL SEN 2	More than 3V
Shift lever	Suitable position
Driving location	Driving vehicle uphill (Increased engine load) will help maintain the driving conditions required for this test.

7. Check 1st trip DTC.
8. If 1st trip DTC is detected, go to [EC-203, "Diagnostic Procedure"](#).



PBIB3457E

Overall Function Check

PROCEDURE FOR MALFUNCTION B

Use this procedure to check the overall function of the mass air flow sensor circuit. During this check, a 1st trip DTC might not be confirmed.

With GST

1. Start engine and warm it up to normal operating temperature.
2. Select Service \$01 with GST.

NBS00053

DTC P0101, P010B MAF SENSOR

3. Check the mass air flow sensor signal with Service \$01.
4. Check for linear mass air flow sensor signal value rise in response to increases to about 4,000 rpm in engine speed.
5. If NG, go to [EC-203, "Diagnostic Procedure"](#) .

CALC LOAD	20%
COOLANT TEMP	95°C
SHORT FT #1	2%
LONG FT #1	0%
SHORT FT #2	4%
LONG FT #2	0%
ENGINE SPD	2637RPM
VEHICLE SPD	0MPH
IGN ADVANCE	41.0°
INTAKE AIR	41°C
MAF	14.1gm/sec
THROTTLE POS	3%

SEF534P

A

EC

C

D

E

F

G

H

I

J

K

L

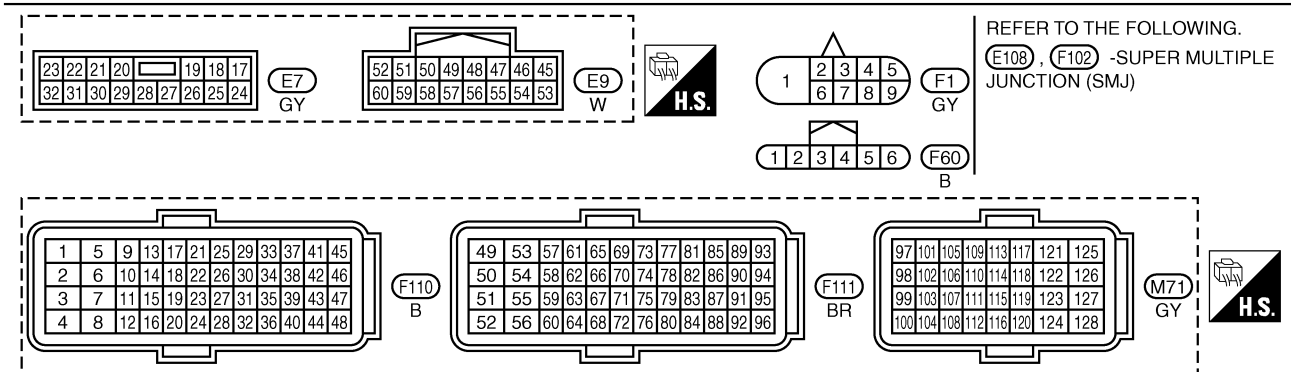
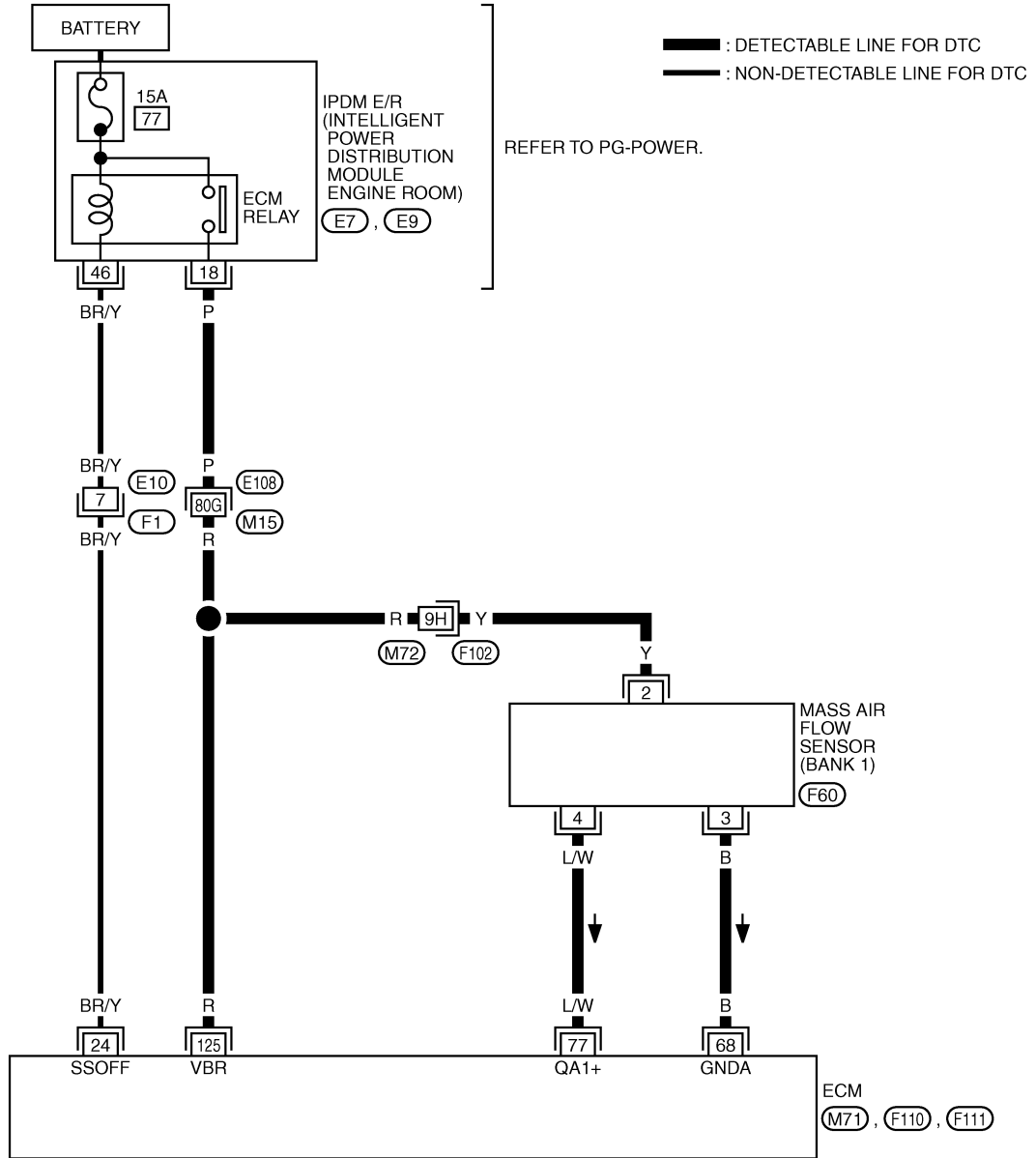
M

DTC P0101, P010B MAF SENSOR

Wiring Diagram BANK 1

NBS00054

EC-MAFSB1-01



TBWT1625E

DTC P0101, P010B MAF SENSOR

Specification data are reference values and are measured between each terminal and ground.

CAUTION:

Do not use ECM ground terminals when measuring input/output voltage. Doing so may result in damage to the ECM's transistor. Use a ground other than ECM terminals, such as the ground.

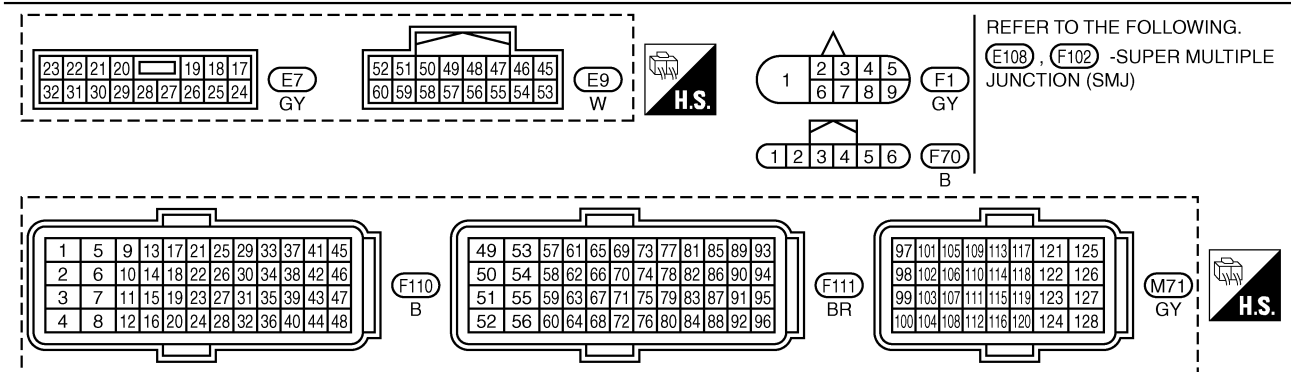
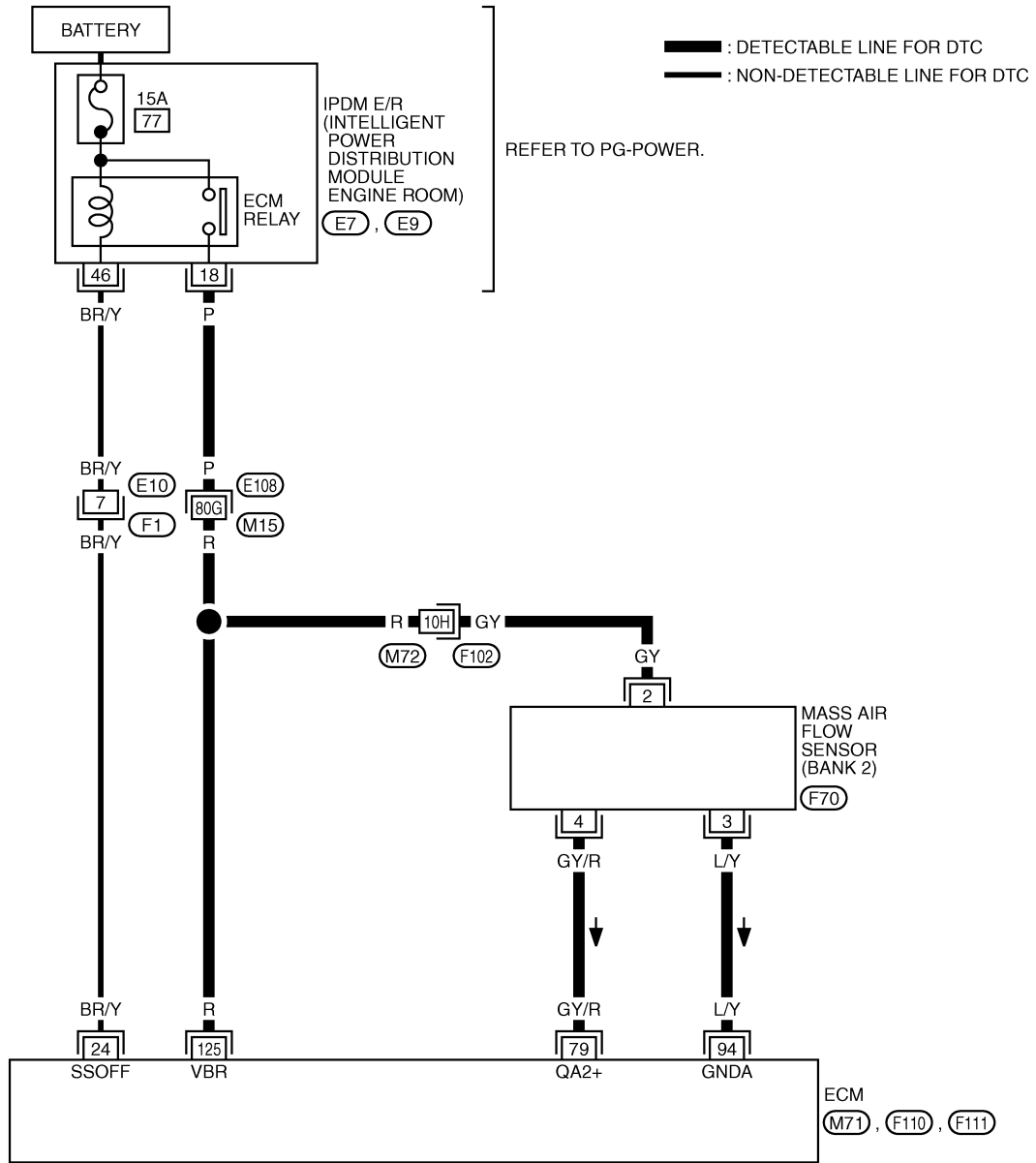
TER-MINAL NO.	WIRE COLOR	ITEM	CONDITION	DATA (DC Voltage)
24	BR/Y	ECM relay (Self shut-off)	[Engine is running] [Ignition switch: OFF] ● For a few seconds after turning ignition switch OFF	0 - 1.5V
68	B	Sensor ground [Mass air flow sensor (bank1), Intake air temperature sensor (bank 1)]	[Engine is running] ● Warm-up condition ● Idle speed	0V
77	L/W	Mass air flow sensor (bank1)	[Engine is running] ● Warm-up condition ● Idle speed	0.8 - 1.1V
			[Engine is running] ● Warm-up condition ● Engine speed: 2,500 rpm	1.4 - 1.7V
125	R	Power supply for ECM	[Ignition switch: ON]	BATTERY VOLTAGE (11 - 14V)

A
EC
C
D
E
F
G
H
I
J
K
L
M

DTC P0101, P010B MAF SENSOR

BANK 2

EC-MAFSB2-01



TBWT1626E

DTC P0101, P010B MAF SENSOR

Specification data are reference values and are measured between each terminal and ground.

CAUTION:

Do not use ECM ground terminals when measuring input/output voltage. Doing so may result in damage to the ECM's transistor. Use a ground other than ECM terminals, such as the ground.

TER-MINAL NO.	WIRE COLOR	ITEM	CONDITION	DATA (DC Voltage)
24	BR/Y	ECM relay (Self shut-off)	[Engine is running] [Ignition switch: OFF] ● For a few seconds after turning ignition switch OFF	0 - 1.5V
79	GY/R	Mass air flow sensor (bank2)	[Engine is running] ● Warm-up condition ● Idle speed	0.8 - 1.1V
			[Engine is running] ● Warm-up condition ● Engine speed: 2,500 rpm	1.4 - 1.7V
94	L/Y	Sensor ground [Mass air flow sensor (bank 2)]	[Engine is running] ● Warm-up condition ● Idle speed	0V
125	R	Power supply for ECM	[Ignition switch: ON]	BATTERY VOLTAGE (11 - 14V)

Diagnostic Procedure

NBS00055

1. INSPECTION START

Which malfunction (A or B) is duplicated?

A or B

- A >> GO TO 3.
- B >> GO TO 2.

2. CHECK INTAKE SYSTEM

Check the following for connection.

- Air duct
- Vacuum hoses
- Intake air passage between air duct and intake manifold

OK or NG

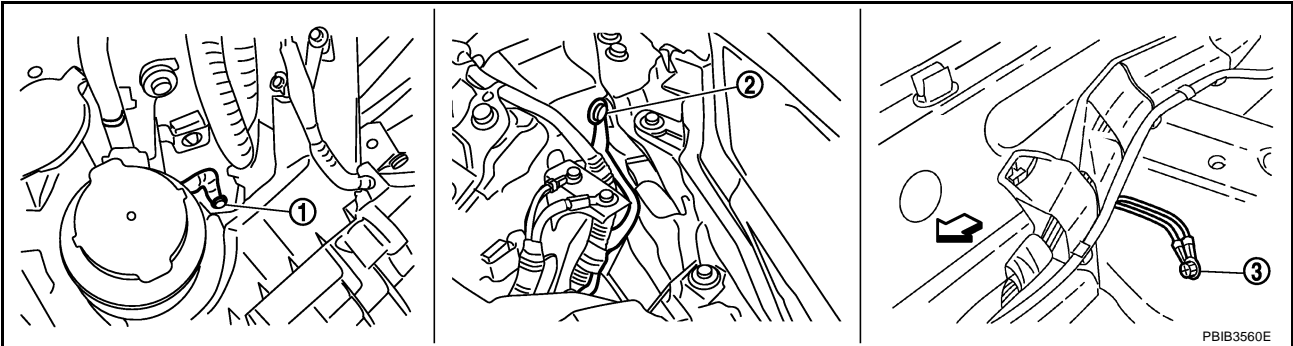
- OK >> GO TO 3.
- NG >> Reconnect the parts.

DTC P0101, P010B MAF SENSOR

3. CHECK GROUND CONNECTIONS

Models with VDC system, navigation system or telephone

1. Turn ignition switch OFF.
2. Loosen and retighten ground screws on the body. Refer to [EC-150, "Ground Inspection"](#).



1. Body ground E17

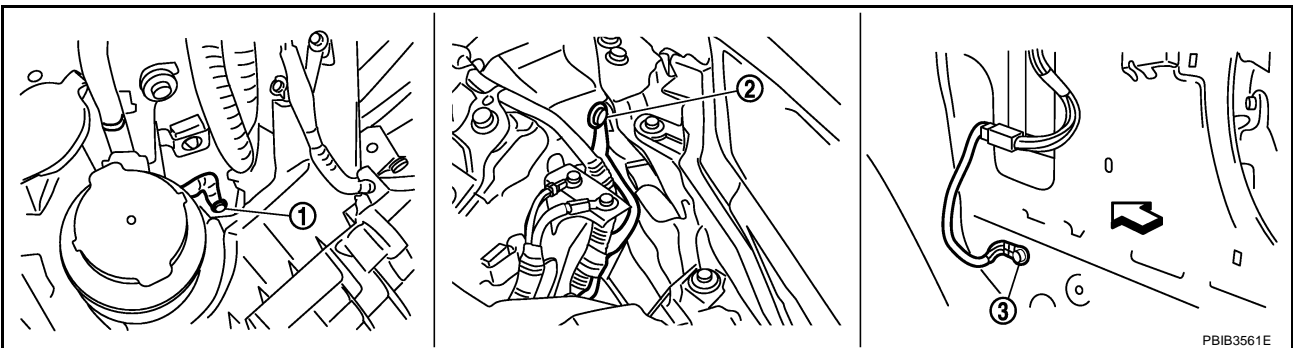
2. Body ground E43

3. Body ground B102

← Vehicle front

Models without VDC system, navigation system and telephone

1. Turn ignition switch OFF.
2. Loosen and retighten ground screws on the body. Refer to [EC-150, "Ground Inspection"](#).



1. Body ground E17

2. Body ground E43

3. Body ground F152
(Passenger side view with dash side finisher removed)

← Vehicle front

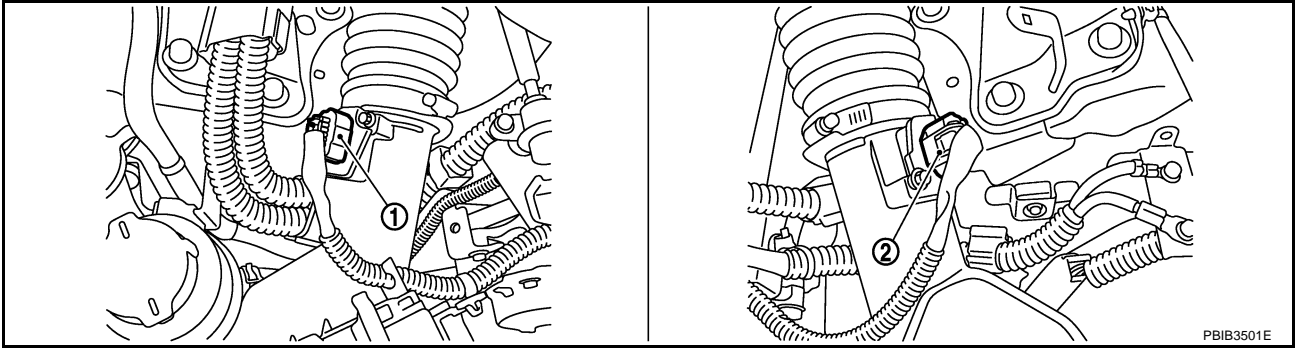
OK or NG

- OK >> GO TO 4.
- NG >> Repair or replace ground connections.

DTC P0101, P010B MAF SENSOR

4. CHECK MASS AIR FLOW SENSOR POWER SUPPLY CIRCUIT

1. Disconnect mass air flow sensor harness connector.



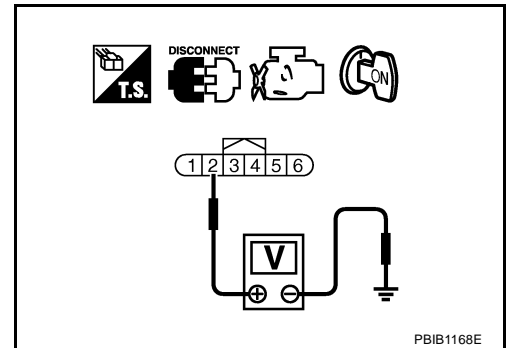
1. Mass air flow sensor (with intake air temperature sensor) (bank 1)
2. Mass air flow sensor (with intake air temperature sensor) (bank 2)

2. Turn ignition switch ON.
3. Check voltage between mass air flow sensor terminal 2 and ground with CONSULT-III or tester.

Voltage: Battery voltage

OK or NG

- OK >> GO TO 6.
- NG >> GO TO 5.



5. DETECT MALFUNCTIONING PART

Check the following.

- Harness connectors E108, M15
- Harness connectors M72, F102
- Harness for open or short between IPDM E/R and mass air flow sensor
- Harness for open or short between mass air flow sensor and ECM

>> Repair open circuit or short to ground or short to power in harness or connectors.

6. CHECK MASS AIR FLOW SENSOR GROUND CIRCUIT FOR OPEN AND SHORT

1. Turn ignition switch OFF.
2. Disconnect ECM harness connector.
3. Check harness continuity between mass air flow sensor terminal 3 and ECM terminal 68 (bank 1), 94 (bank 2).
Refer to Wiring Diagram.

Continuity should exist.

4. Also check harness for short to ground and short to power.

OK or NG

- OK >> GO TO 7.
- NG >> Repair open circuit or short to ground or short to power in harness or connectors.

DTC P0101, P010B MAF SENSOR

7. CHECK MASS AIR FLOW SENSOR INPUT SIGNAL CIRCUIT FOR OPEN AND SHORT

1. Check harness continuity between mass air flow sensor terminal 4 and ECM terminal 77 (bank 1), 79 (bank 2).
Refer to Wiring Diagram.

Continuity should exist.

2. Also check harness for short to ground and short to power.

OK or NG

OK >> GO TO 8.

NG >> Repair open circuit or short to ground or short to power in harness or connectors.

8. CHECK INTAKE AIR TEMPERATURE SENSOR

Check mass air flow sensor (with intake air temperature sensor) (bank 1).

Refer to [EC-245, "Component Inspection"](#).

OK or NG

OK >> GO TO 9.

NG >> Replace mass air flow sensor (with intake air temperature sensor) (bank 1).

9. CHECK EVAP CONTROL SYSTEM PRESSURE SENSOR

Refer to [EC-455, "Component Inspection"](#).

OK or NG

OK >> GO TO 10.

NG >> Replace EVAP control system pressure sensor.

10. CHECK MASS AIR FLOW SENSOR

Refer to [EC-206, "Component Inspection"](#).

OK or NG

OK >> GO TO 11.

NG >> Replace malfunctioning mass air flow sensor.

11. CHECK INTERMITTENT INCIDENT

Refer to [EC-141, "TROUBLE DIAGNOSIS FOR INTERMITTENT INCIDENT"](#).

>> **INSPECTION END**

Component Inspection MASS AIR FLOW SENSOR

NBS006UZ

With CONSULT-III

1. Reconnect all harness connectors disconnected.
2. Start engine and warm it up to normal operating temperature.
3. Connect CONSULT-III and select "DATA MONITOR" mode.
4. Select "MAS A/F SE-B1" and "MAS A/F SE-B2", and check indication under the following conditions.

Monitor item	Condition	Indication
MAS A/F SE-B1 MAS A/F SE-B2	Ignition switch ON (Engine stopped.)	Approx. 0.4V
	Idle (Engine is warmed-up to normal operating temperature.)	0.8 - 1.1V
	2,500 rpm (Engine is warmed-up to normal operating temperature.)	1.4 - 1.7V
	Idle to about 4,000 rpm	0.8 - 1.1V to Approx. 2.4V*

*: Check for linear voltage rise in response to engine being increased to about 4,000 rpm.

5. If the voltage is out of specification, proceed the following.
 - a. Check for the cause of uneven air flow through mass air flow sensor. Refer to following.

DTC P0101, P010B MAF SENSOR

- Crushed air ducts
 - Malfunctioning seal of air cleaner element
 - Uneven dirt of air cleaner element
 - Improper specification of intake air system parts
- b. If NG, repair or replace malfunctioning part and perform step 2 to 4 again.
If OK, go to next step.
 6. Turn ignition switch OFF.
 7. Disconnect mass air flow sensor harness connector and reconnect it again.
 8. Perform step 2 to 4 again.
 9. If NG, clean or replace mass air flow sensor.

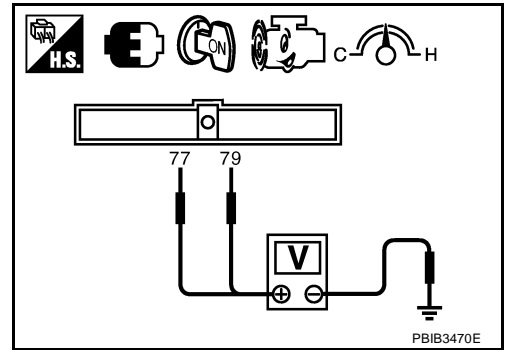
⊗ Without CONSULT-III

1. Reconnect all harness connectors disconnected.
2. Start engine and warm it up to normal operating temperature.
3. Check voltage between ECM terminal 77 [Mass air flow sensor (bank 1) signal], 79 [Mass air flow sensor (bank 2) signal] and ground.

Condition	Voltage V
Ignition switch ON (Engine stopped.)	Approx. 0.4
Idle (Engine is warmed-up to normal operating temperature.)	0.8 - 1.1
2,500 rpm (Engine is warmed-up to normal operating temperature.)	1.4 - 1.7
Idle to about 4,000 rpm	0.8 - 1.1 to Approx. 2.4*

*: Check for linear voltage rise in response to engine being increased to about 4,000 rpm.

4. If the voltage is out of specification, proceed the following.
 - a. Check for the cause of uneven air flow through mass air flow sensor. Refer to following.
 - Crushed air ducts
 - Malfunctioning seal of air cleaner element
 - Uneven dirt of air cleaner element
 - Improper specification of intake air system parts
 - b. If NG, repair or replace malfunctioning part and perform step 2 and 3 again.
If OK, go to next step.
5. Turn ignition switch OFF.
6. Disconnect mass air flow sensor harness connector and reconnect it again.
7. Perform step 2 and 3 again.
8. If NG, clean or replace mass air flow sensor.



Removal and Installation MASS AIR FLOW SENSOR

NBS006V0

Refer to [EM-15, "AIR CLEANER AND AIR DUCT"](#) .

DTC P0102, P0103, P010C, P010D MAF SENSOR

PFP:22680

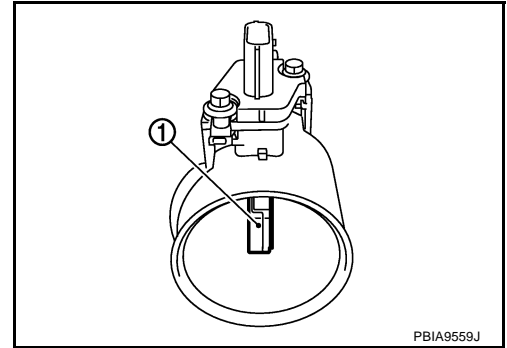
DTC P0102, P0103, P010C, P010D MAF SENSOR

Component Description

NBS00058

The mass air flow sensor (1) is placed in the stream of intake air. It measures the intake flow rate by measuring a part of the entire intake flow. The mass air flow sensor controls the temperature of the hot wire is to a certain amount. The heat generated by the hot wire is reduced as the intake air flows around it. The more air, the greater the heat loss.

Therefore, the electric current supplied to hot wire is changed to maintain the temperature of the hot wire as air flow increases. The ECM detects the air flow by means of this current change.



PBIA9559J

CONSULT-III Reference Value in Data Monitor Mode

NBS00059

Specification data are reference values.

MONITOR ITEM	CONDITION		SPECIFICATION
MAS A/F SE-B1	See EC-132. "TROUBLE DIAGNOSIS - SPECIFICATION VALUE" .		
MAS A/F SE-B2			
CAL/LD VALUE	<ul style="list-style-type: none"> ● Engine: After warming up ● Shift lever: P or N (A/T), Neutral (M/T) ● Air conditioner switch: OFF ● No load 	Idle	5% - 35%
		2,500 rpm	5% - 35%
MASS AIRFLOW	<ul style="list-style-type: none"> ● Engine: After warming up ● Shift lever: P or N (A/T), Neutral (M/T) ● Air conditioner switch: OFF ● No load 	Idle	2.0 - 6.0 g-m/s
		2,500 rpm	7.0 - 20.0 g-m/s

On Board Diagnosis Logic

NBS0005A

These self-diagnoses have the one trip detection logic.

DTC No.	Trouble diagnosis name	DTC detecting condition	Possible cause
P0102 0102 (Bank 1)	Mass air flow sensor circuit low input	An excessively low voltage from the sensor is sent to ECM.	<ul style="list-style-type: none"> ● Harness or connectors (The sensor circuit is open or shorted.) ● Intake air leaks ● Mass air flow sensor
P010C 010C (Bank 2)			
P0103 0103 (Bank 1)	Mass air flow sensor circuit high input	An excessively high voltage from the sensor is sent to ECM.	<ul style="list-style-type: none"> ● Harness or connectors (The sensor circuit is open or shorted.) ● Mass air flow sensor
P010D 010D (Bank 2)			

FAIL-SAFE MODE

When the malfunction is detected, the ECM enters fail-safe mode and the MIL lights up.

Detected items	Engine operating condition in fail-safe mode
Mass air flow sensor circuit	Engine speed will not rise more than 2,400 rpm due to the fuel cut.

DTC P0102, P0103, P010C, P010D MAF SENSOR

NBS0005B

DTC Confirmation Procedure

NOTE:

If DTC Confirmation Procedure has been previously conducted, always turn ignition switch OFF and wait at least 10 seconds before conducting the next test.

PROCEDURE FOR DTC P0102, P010C

With CONSULT-III

1. Start engine and wait at least 5 seconds.
2. Check DTC.
3. If DTC is detected, go to [EC-213, "Diagnostic Procedure"](#) .

With GST

Follow the procedure "With CONSULT-III" above.

PROCEDURE FOR DTC P0103, P010D

With CONSULT-III

1. Turn ignition switch ON and wait at least 5 seconds.
2. Check DTC.
3. If DTC is detected, go to [EC-213, "Diagnostic Procedure"](#) .
If DTC is not detected, go to next step.
4. Start engine and wait at least 5 seconds.
5. Check DTC.
6. If DTC is detected, go to [EC-213, "Diagnostic Procedure"](#) .

With GST

Follow the procedure "With CONSULT-III" above.

A

EC

C

D

E

F

G

H

I

J

K

L

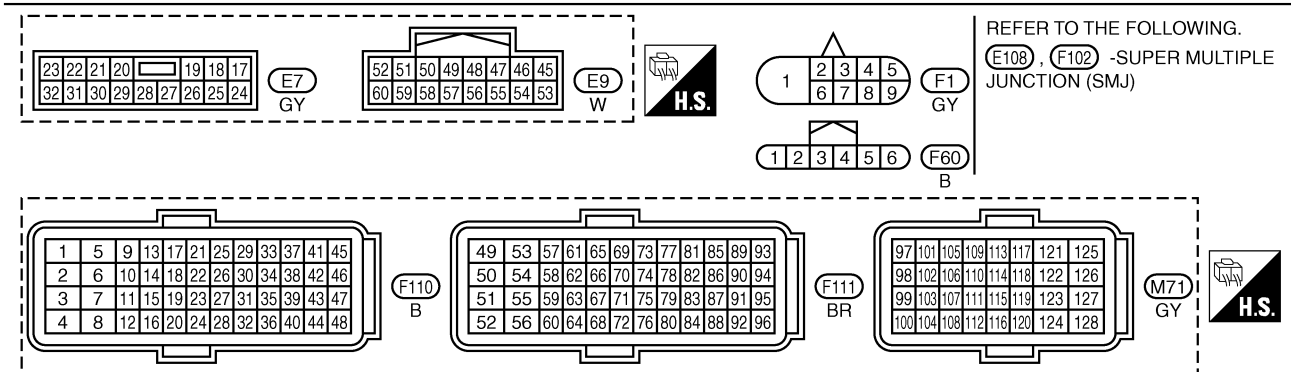
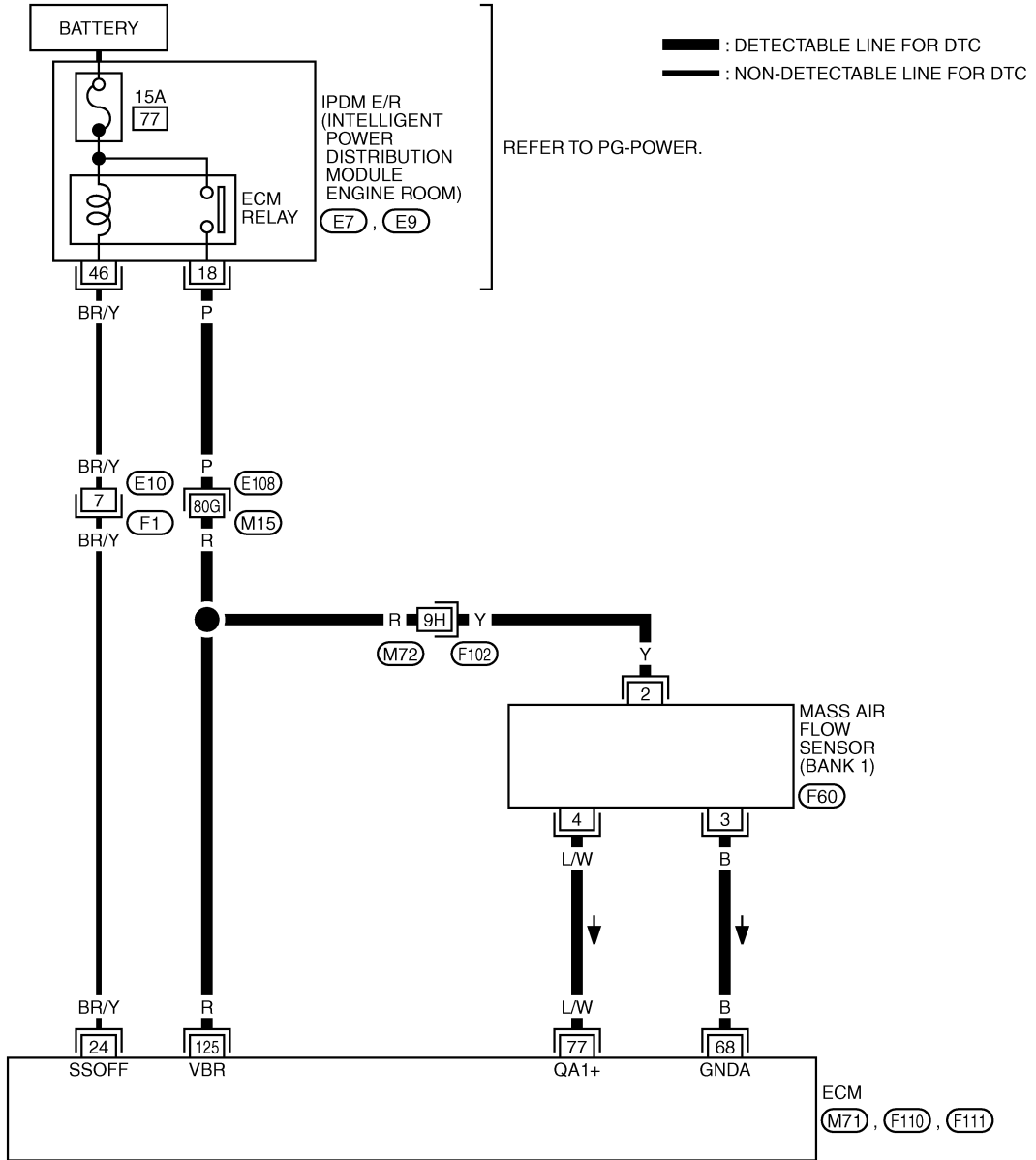
M

DTC P0102, P0103, P010C, P010D MAF SENSOR

NBS006U1

Wiring Diagram BANK 1

EC-MAFSB1-01



TBWT1625E

DTC P0102, P0103, P010C, P010D MAF SENSOR

Specification data are reference values and are measured between each terminal and ground.

CAUTION:

Do not use ECM ground terminals when measuring input/output voltage. Doing so may result in damage to the ECM's transistor. Use a ground other than ECM terminals, such as the ground.

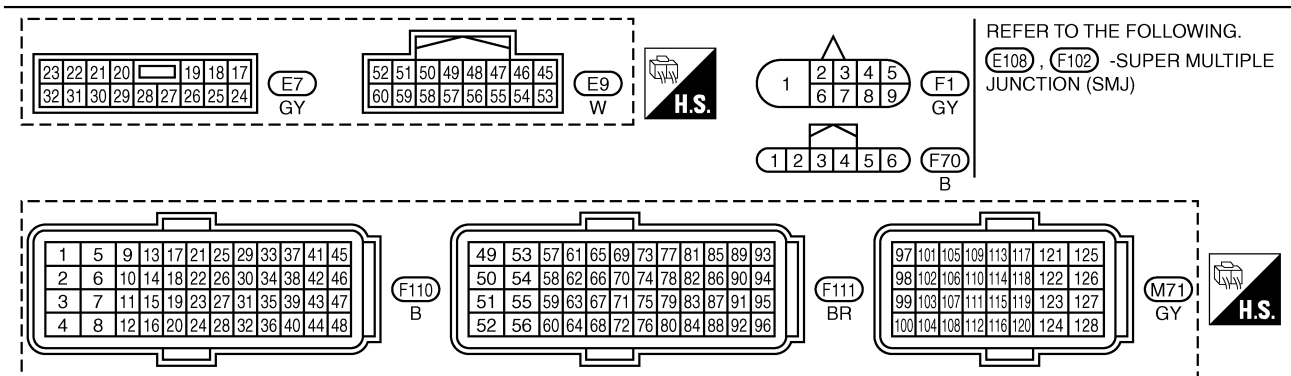
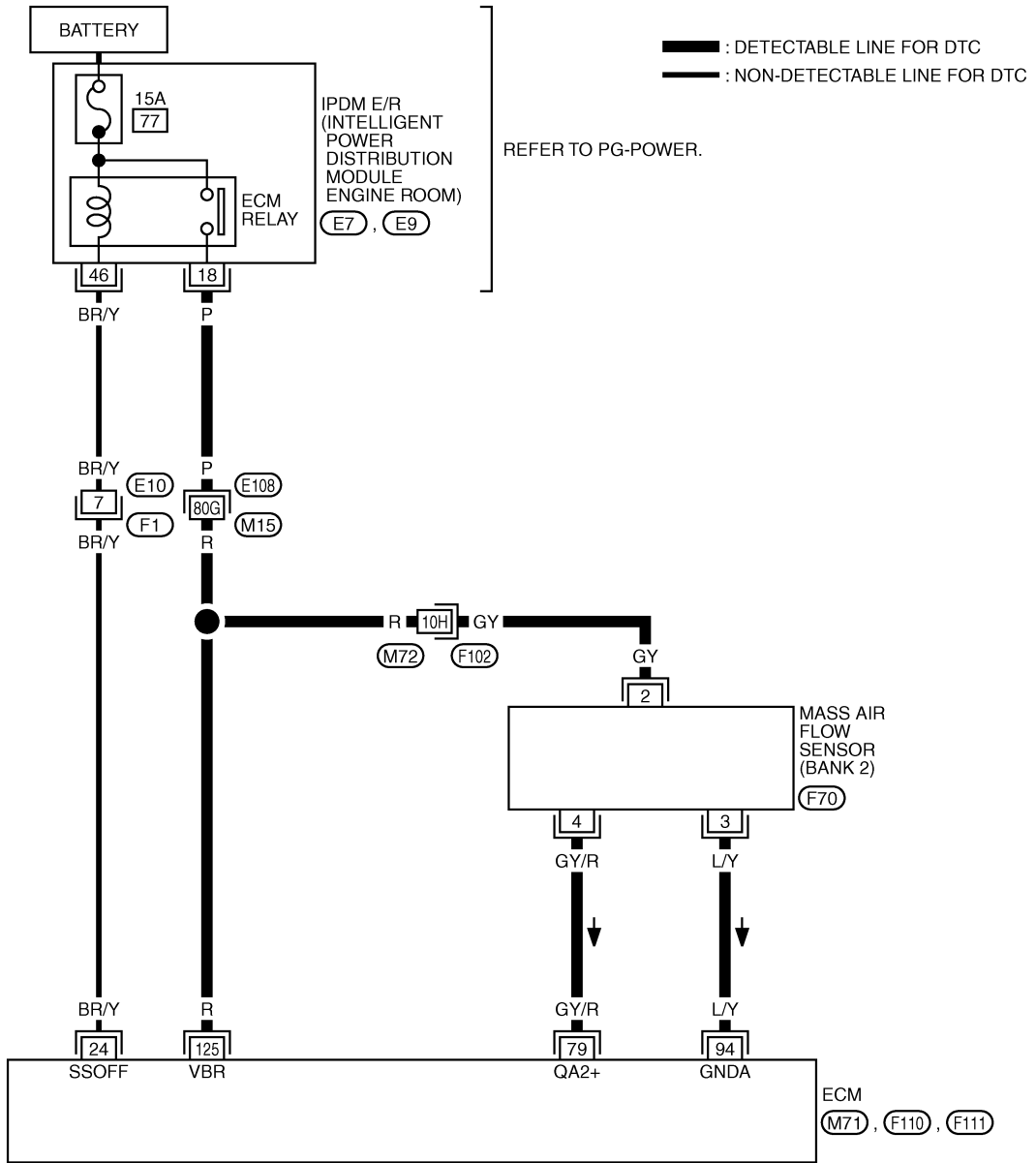
TER-MINAL NO.	WIRE COLOR	ITEM	CONDITION	DATA (DC Voltage)
24	BR/Y	ECM relay (Self shut-off)	[Engine is running] [Ignition switch: OFF] ● For a few seconds after turning ignition switch OFF	0 - 1.5V
68	B	Sensor ground [Mass air flow sensor (bank1), Intake air temperature sensor (bank 1)]	[Engine is running] ● Warm-up condition ● Idle speed	0V
77	L/W	Mass air flow sensor (bank1)	[Engine is running] ● Warm-up condition ● Idle speed	0.8 - 1.1V
			[Engine is running] ● Warm-up condition ● Engine speed: 2,500 rpm	1.4 - 1.7V
125	R	Power supply for ECM	[Ignition switch: ON]	BATTERY VOLTAGE (11 - 14V)

A
EC
C
D
E
F
G
H
I
J
K
L
M

DTC P0102, P0103, P010C, P010D MAF SENSOR

BANK 2

EC-MAFSB2-01



TBWT1626E

DTC P0102, P0103, P010C, P010D MAF SENSOR

Specification data are reference values and are measured between each terminal and ground.

CAUTION:

Do not use ECM ground terminals when measuring input/output voltage. Doing so may result in damage to the ECM's transistor. Use a ground other than ECM terminals, such as the ground.

TER-MINAL NO.	WIRE COLOR	ITEM	CONDITION	DATA (DC Voltage)
24	BR/Y	ECM relay (Self shut-off)	[Engine is running] [Ignition switch: OFF] ● For a few seconds after turning ignition switch OFF	0 - 1.5V
79	GY/R	Mass air flow sensor (bank2)	[Engine is running] ● Warm-up condition ● Idle speed	0.8 - 1.1V
			[Engine is running] ● Warm-up condition ● Engine speed: 2,500 rpm	1.4 - 1.7V
94	L/Y	Sensor ground [Mass air flow sensor (bank 2)]	[Engine is running] ● Warm-up condition ● Idle speed	0V
125	R	Power supply for ECM	[Ignition switch: ON]	BATTERY VOLTAGE (11 - 14V)

Diagnostic Procedure

NBS006U2

1. INSPECTION START

Confirm the detected DTC.

Which DTC is detected?

P0102, P010C>>GO TO 2.

P0103, P010D>>GO TO 3.

2. CHECK INTAKE SYSTEM

Check the following for connection.

- Air duct
- Vacuum hoses
- Intake air passage between air duct and intake manifold

OK or NG

OK >> GO TO 3.

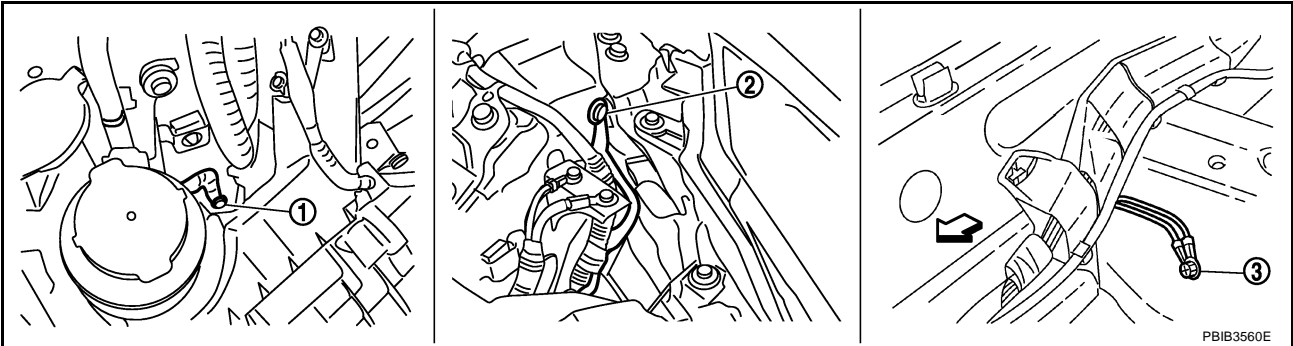
NG >> Reconnect the parts.

DTC P0102, P0103, P010C, P010D MAF SENSOR

3. CHECK GROUND CONNECTIONS

Models with VDC system, navigation system or telephone

1. Turn ignition switch OFF.
2. Loosen and retighten ground screws on the body. Refer to [EC-150, "Ground Inspection"](#).



1. Body ground E17

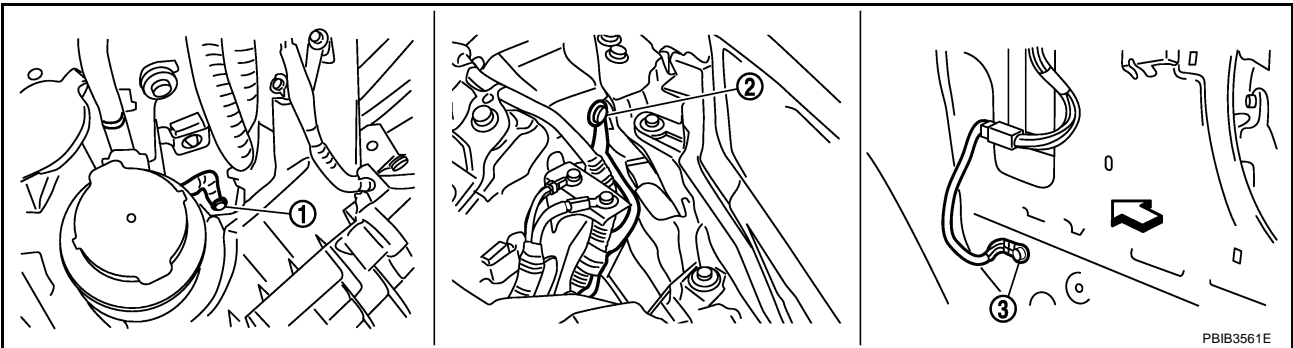
2. Body ground E43

3. Body ground B102

← Vehicle front

Models without VDC system, navigation system and telephone

1. Turn ignition switch OFF.
2. Loosen and retighten ground screws on the body. Refer to [EC-150, "Ground Inspection"](#).



1. Body ground E17

2. Body ground E43

3. Body ground F152
(Passenger side view with dash side
finisher removed)

← Vehicle front

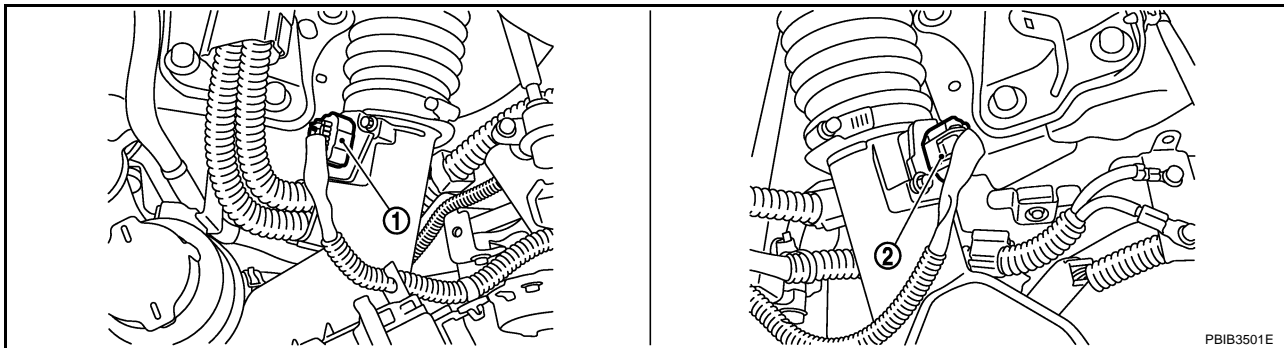
OK or NG

- OK >> GO TO 4.
- NG >> Repair or replace ground connections.

DTC P0102, P0103, P010C, P010D MAF SENSOR

4. CHECK MASS AIR FLOW SENSOR POWER SUPPLY CIRCUIT

1. Disconnect mass air flow sensor harness connector.



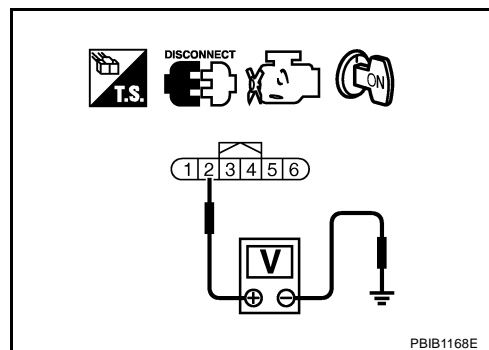
1. Mass air flow sensor (with intake air temperature sensor) (bank 1)
2. Mass air flow sensor (with intake air temperature sensor) (bank 2)

2. Turn ignition switch ON.
3. Check voltage between mass air flow sensor terminal 2 and ground with CONSULT-III or tester.

Voltage: Battery voltage

OK or NG

- OK >> GO TO 6.
- NG >> GO TO 5.



5. DETECT MALFUNCTIONING PART

Check the following.

- Harness connectors E108, M15
- Harness connectors M72, F102
- Harness for open or short between IPDM E/R and mass air flow sensor
- Harness for open or short between mass air flow sensor and ECM

>> Repair open circuit or short to ground or short to power in harness or connectors.

6. CHECK MASS AIR FLOW SENSOR GROUND CIRCUIT FOR OPEN AND SHORT

1. Turn ignition switch OFF.
2. Disconnect ECM harness connector.
3. Check harness continuity between mass air flow sensor terminal 3 and ECM terminal 68 (bank 1), 94 (bank 2).
Refer to Wiring Diagram.

Continuity should exist.

4. Also check harness for short to ground and short to power.

OK or NG

- OK >> GO TO 7.
- NG >> Repair open circuit or short to ground or short to power in harness or connectors.

DTC P0102, P0103, P010C, P010D MAF SENSOR

7. CHECK MASS AIR FLOW SENSOR INPUT SIGNAL CIRCUIT FOR OPEN AND SHORT

1. Check harness continuity between mass air flow sensor terminal 4 and ECM terminal 77 (bank 1), 79 (bank 2).
Refer to Wiring Diagram.

Continuity should exist.

2. Also check harness for short to ground and short to power.

OK or NG

OK >> GO TO 8.

NG >> Repair open circuit or short to ground or short to power in harness or connectors.

8. CHECK MASS AIR FLOW SENSOR

Refer to [EC-216, "Component Inspection"](#) .

OK or NG

OK >> GO TO 9.

NG >> Replace malfunctioning mass air flow sensor.

9. CHECK INTERMITTENT INCIDENT

Refer to [EC-141, "TROUBLE DIAGNOSIS FOR INTERMITTENT INCIDENT"](#) .

>> **INSPECTION END**

Component Inspection MASS AIR FLOW SENSOR

NBS006V1

With CONSULT-III

1. Reconnect all harness connectors disconnected.
2. Start engine and warm it up to normal operating temperature.
3. Connect CONSULT-III and select "DATA MONITOR" mode.
4. Select "MAS A/F SE-B1" and "MAS A/F SE-B2", and check indication under the following conditions.

Monitor item	Condition	Indication
MAS A/F SE-B1 MAS A/F SE-B2	Ignition switch ON (Engine stopped.)	Approx. 0.4V
	Idle (Engine is warmed-up to normal operating temperature.)	0.8 - 1.1V
	2,500 rpm (Engine is warmed-up to normal operating temperature.)	1.4 - 1.7V
	Idle to about 4,000 rpm	0.8 - 1.1V to Approx. 2.4V*

*: Check for linear voltage rise in response to engine being increased to about 4,000 rpm.

5. If the voltage is out of specification, proceed the following.
 - a. Check for the cause of uneven air flow through mass air flow sensor. Refer to following.
 - Crushed air ducts
 - Malfunctioning seal of air cleaner element
 - Uneven dirt of air cleaner element
 - Improper specification of intake air system parts
 - b. If NG, repair or replace malfunctioning part and perform step 2 to 4 again.
If OK, go to next step.
6. Turn ignition switch OFF.
7. Disconnect mass air flow sensor harness connector and reconnect it again.
8. Perform step 2 to 4 again.
9. If NG, clean or replace mass air flow sensor.

Without CONSULT-III

1. Reconnect all harness connectors disconnected.

DTC P0102, P0103, P010C, P010D MAF SENSOR

2. Start engine and warm it up to normal operating temperature.
3. Check voltage between ECM terminal 77 [Mass air flow sensor (bank 1) signal], 79 [Mass air flow sensor (bank 2) signal] and ground.

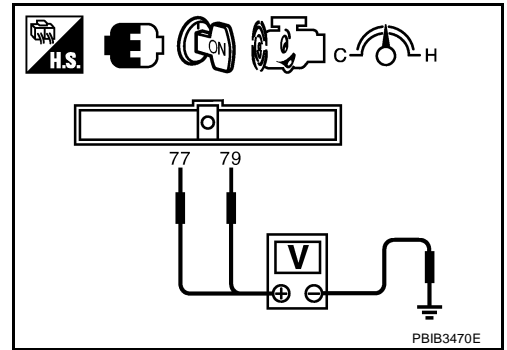
Condition	Voltage V
Ignition switch ON (Engine stopped.)	Approx. 0.4
Idle (Engine is warmed-up to normal operating temperature.)	0.8 - 1.1
2,500 rpm (Engine is warmed-up to normal operating temperature.)	1.4 - 1.7
Idle to about 4,000 rpm	0.8 - 1.1 to Approx. 2.4*

*: Check for linear voltage rise in response to engine being increased to about 4,000 rpm.

4. If the voltage is out of specification, proceed the following.
 - a. Check for the cause of uneven air flow through mass air flow sensor. Refer to following.
 - Crushed air ducts
 - Malfunctioning seal of air cleaner element
 - Uneven dirt of air cleaner element
 - Improper specification of intake air system parts
 - b. If NG, repair or replace malfunctioning part and perform step 2 and 3 again. If OK, go to next step.
5. Turn ignition switch OFF.
6. Disconnect mass air flow sensor harness connector and reconnect it again.
7. Perform step 2 and 3 again.
8. If NG, clean or replace mass air flow sensor.

Removal and Installation MASS AIR FLOW SENSOR

Refer to [EM-15. "AIR CLEANER AND AIR DUCT"](#) .



NBS006V2

DTC P0112, P0113 IAT SENSOR

PFP:22630

DTC P0112, P0113 IAT SENSOR

Component Description

NBS0005G

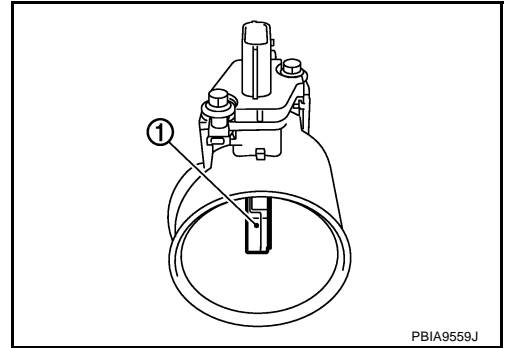
The intake air temperature sensor is built-into mass air flow sensor (1). The sensor detects intake air temperature and transmits a signal to the ECM.

The temperature sensing unit uses a thermistor which is sensitive to the change in temperature. Electrical resistance of the thermistor decreases in response to the temperature rise.

NOTE:

ECM uses only the intake air temperature sensor (bank 1) for engine control and self-diagnosis.

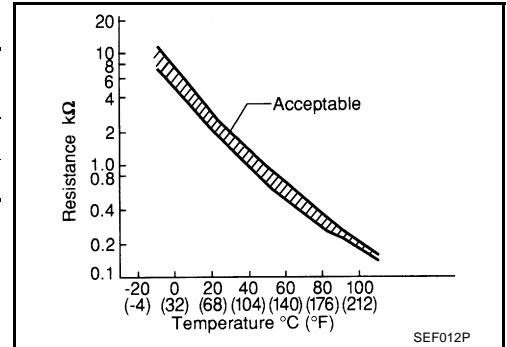
It does not use the intake air temperature sensor (bank 2)



<Reference data>

Intake air temperature °C (°F)	Voltage* V	Resistance kΩ
25 (77)	3.3	1.800 - 2.200
80 (176)	1.2	0.283 - 0.359

*: This data is reference values and is measured between ECM terminal 67 (Intake air temperature sensor) (bank 1) and ground.



CAUTION:

Do not use ECM ground terminals when measuring input/output voltage. Doing so may result in damage to the ECM's transistor. Use a ground other than ECM terminals, such as the ground.

On Board Diagnosis Logic

NBS0005H

DTC No.	Trouble diagnosis name	DTC detecting condition	Possible cause
P0112 0112 (Bank 1)	Intake air temperature sensor circuit low input	An excessively low voltage from the sensor is sent to ECM.	<ul style="list-style-type: none"> ● Harness or connectors (The sensor circuit is open or shorted.) ● Intake air temperature sensor
P0113 0113 (Bank 1)	Intake air temperature sensor circuit high input	An excessively high voltage from the sensor is sent to ECM.	

DTC Confirmation Procedure

NBS0005I

NOTE:

If DTC Confirmation Procedure has been previously conducted, always turn ignition switch OFF and wait at least 10 seconds before conducting the next test.

Ⓜ WITH CONSULT-III

1. Turn ignition switch ON and wait at least 5 seconds.
2. Check 1st trip DTC.
3. If 1st trip DTC is detected, go to [EC-220, "Diagnostic Procedure"](#).

Ⓜ WITH GST



Follow the procedure "WITH CONSULT-III" above.

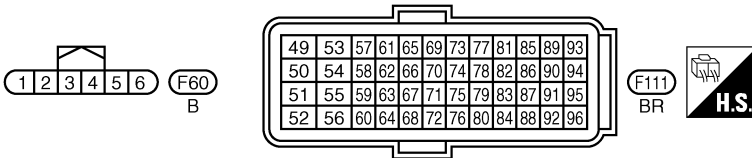
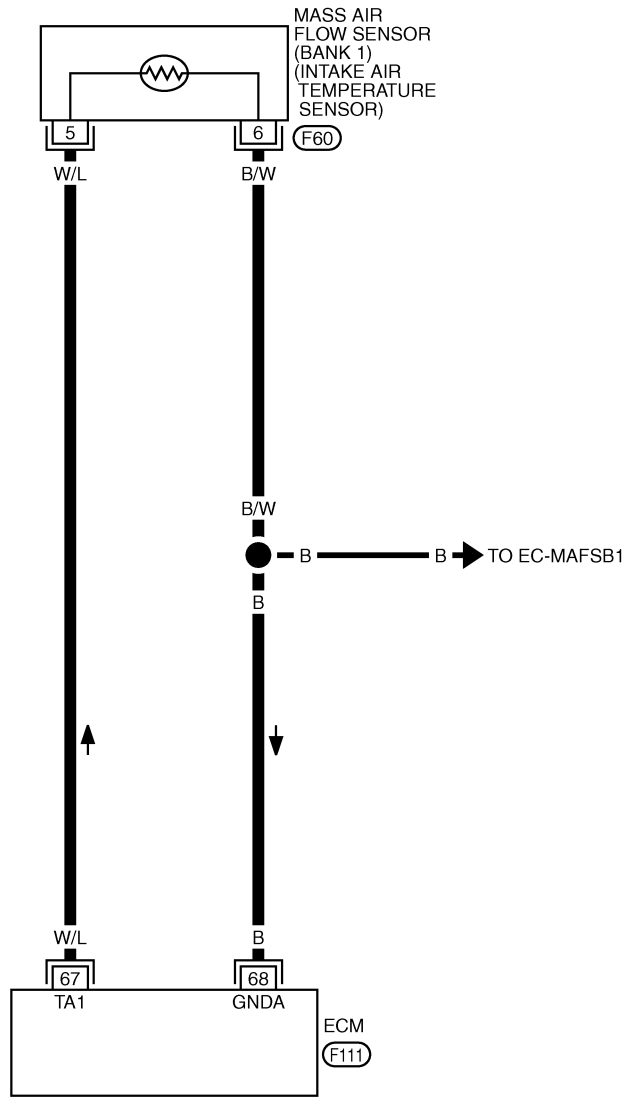
DTC P0112, P0113 IAT SENSOR

Wiring Diagram

NBS0005J

EC-IATSB1-01

 : DETECTABLE LINE FOR DTC
 : NON-DETECTABLE LINE FOR DTC



TBWT1627E

DTC P0112, P0113 IAT SENSOR

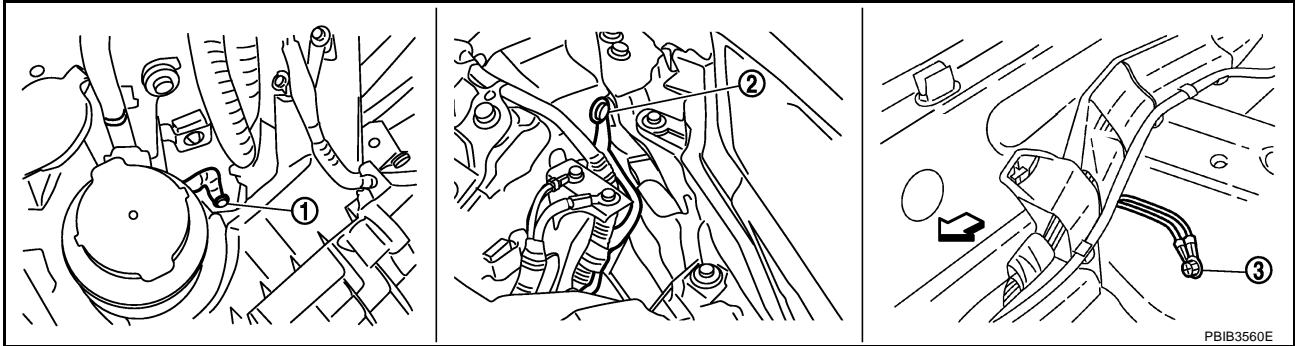
NBS0005K

Diagnostic Procedure

1. CHECK GROUND CONNECTIONS

Models with VDC system, navigation system or telephone

1. Turn ignition switch OFF.
2. Loosen and retighten ground screws on the body. Refer to [EC-150, "Ground Inspection"](#).



1. Body ground E17

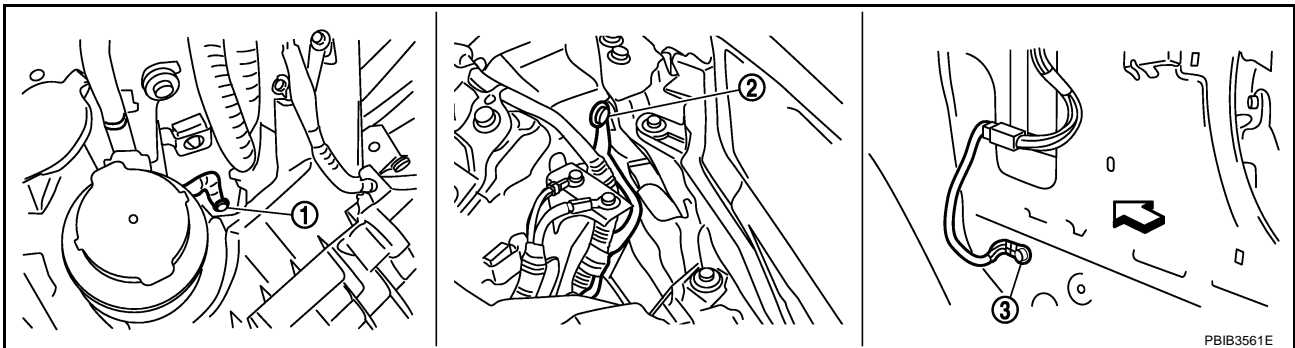
2. Body ground E43

3. Body ground B102

↔ Vehicle front

Models without VDC system, navigation system and telephone

1. Turn ignition switch OFF.
2. Loosen and retighten ground screws on the body. Refer to [EC-150, "Ground Inspection"](#).



1. Body ground E17

2. Body ground E43

3. Body ground F152
(Passenger side view with dash side finisher removed)

↔ Vehicle front

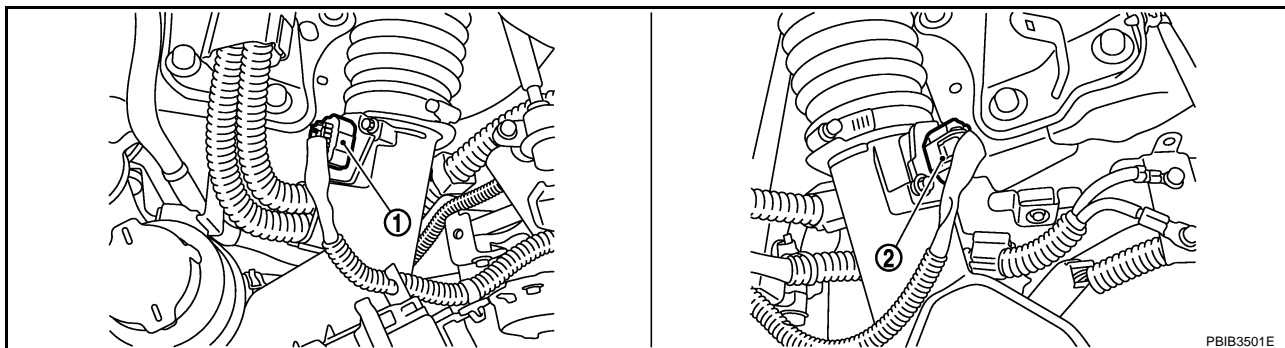
OK or NG

- OK >> GO TO 2.
NG >> Repair or replace ground connections.

DTC P0112, P0113 IAT SENSOR

2. CHECK INTAKE AIR TEMPERATURE SENSOR POWER SUPPLY CIRCUIT

1. Disconnect mass air flow sensor (with intake air temperature sensor) (bank 1) harness connector.



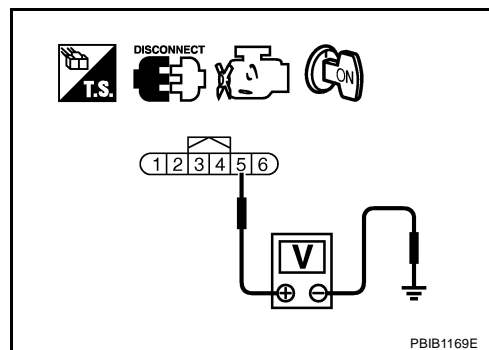
1. Mass air flow sensor (with intake air temperature sensor) (bank 1)
2. Mass air flow sensor (with intake air temperature sensor) (bank 2)

2. Turn ignition switch ON.
3. Check voltage between mass air flow sensor (with intake air temperature sensor) (bank 1) terminal 5 and ground with CONSULT-III or tester.

Voltage: Approximately 5V

OK or NG

- OK >> GO TO 3.
NG >> Repair open circuit or short to ground or short to power in harness or connectors.



3. CHECK INTAKE AIR TEMPERATURE SENSOR GROUND CIRCUIT FOR OPEN AND SHORT

1. Turn ignition switch OFF.
2. Disconnect ECM harness connector.
3. Check harness continuity between mass air flow sensor (with intake air temperature sensor) (bank 1) terminal 6 and ECM terminal 68. Refer to Wiring Diagram.

Continuity should exist.

4. Also check harness for short to ground and short to power.

OK or NG

- OK >> GO TO 4.
NG >> Repair open circuit or short to ground or short to power in harness or connectors.

4. CHECK INTAKE AIR TEMPERATURE SENSOR

Refer to [EC-222, "Component Inspection"](#) .

OK or NG

- OK >> GO TO 5.
NG >> Replace mass air flow sensor (with intake air temperature sensor) (bank 1).

5. CHECK INTERMITTENT INCIDENT

Refer to [EC-141, "TROUBLE DIAGNOSIS FOR INTERMITTENT INCIDENT"](#) .

>> **INSPECTION END**

DTC P0112, P0113 IAT SENSOR

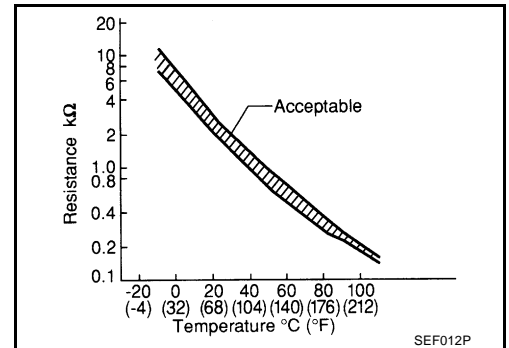
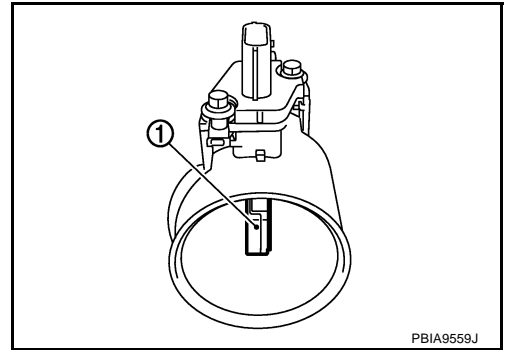
NBS0005L

Component Inspection INTAKE AIR TEMPERATURE SENSOR

1. Check resistance between mass air flow sensor (with intake air temperature sensor) (bank 1) (1) terminals 5 and 6 under the following conditions.

Intake air temperature °C (°F)	Resistance kΩ
25 (77)	1.800 - 2.200

2. If NG, replace mass air flow sensor (with intake air temperature sensor) (bank 1).



Removal and Installation MASS AIR FLOW SENSOR

NBS0005M

Refer to [EM-15, "AIR CLEANER AND AIR DUCT"](#) .

DTC P0117, P0118 ECT SENSOR

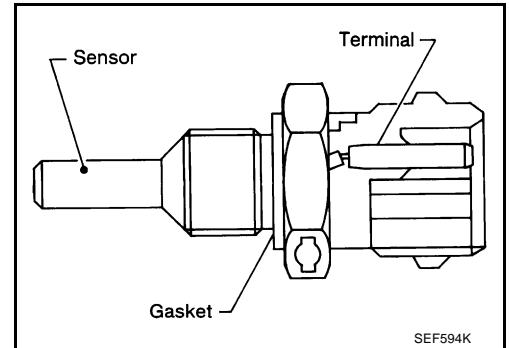
DTC P0117, P0118 ECT SENSOR

PF2:22630

Component Description

NBS0005N

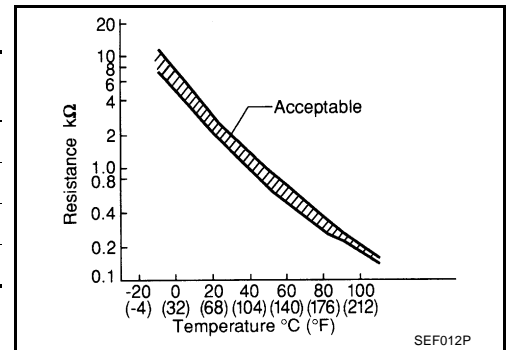
The engine coolant temperature (ECT) sensor is used to detect the engine coolant temperature. The sensor modifies a voltage signal from the ECM. The modified signal returns to the ECM as the engine coolant temperature input. The sensor uses a thermistor which is sensitive to the change in temperature. The electrical resistance of the thermistor decreases as temperature increases.



<Reference data>

Engine coolant temperature °C (°F)	Voltage* V	Resistance kΩ
-10 (14)	4.4	7.0 - 11.4
20 (68)	3.5	2.37 - 2.63
50 (122)	2.2	0.68 - 1.00
90 (194)	0.9	0.236 - 0.260

*: This data is reference values and is measured between ECM terminal 71 (Engine coolant temperature sensor) and ground.



CAUTION:

Do not use ECM ground terminals when measuring input/output voltage. Doing so may result in damage to the ECM's transistor. Use a ground other than ECM terminals, such as the ground.

On Board Diagnosis Logic

NBS0005O

These self-diagnoses have the one trip detection logic.

DTC No.	Trouble Diagnosis Name	DTC Detecting Condition	Possible Cause
P0117 0117	Engine coolant temperature sensor circuit low input	An excessively low voltage from the sensor is sent to ECM.	<ul style="list-style-type: none"> ● Harness or connectors (The sensor circuit is open or shorted.) ● Engine coolant temperature sensor
P0118 0118	Engine coolant temperature sensor circuit high input	An excessively high voltage from the sensor is sent to ECM.	

FAIL-SAFE MODE

When the malfunction is detected, the ECM enters fail-safe mode and the MIL lights up.

Detected items	Engine operating condition in fail-safe mode	
Engine coolant temperature sensor circuit	Engine coolant temperature will be determined by ECM based on the time after turning ignition switch ON or START. CONSULT-III displays the engine coolant temperature decided by ECM.	
	Condition	Engine coolant temperature decided (CONSULT-III display)
	Just as ignition switch is turned ON or START	40°C (104°F)
	More than approx. 4 minutes after ignition ON or START	80°C (176°F)
	Except as shown above	40 - 80°C (104 - 176°F) (Depends on the time)
When the fail-safe system for engine coolant temperature sensor is activated, the cooling fan operates while engine is running.		

DTC P0117, P0118 ECT SENSOR

DTC Confirmation Procedure

NBS0005P

NOTE:

If DTC Confirmation Procedure has been previously conducted, always turn ignition switch OFF and wait at least 10 seconds before conducting the next test.

WITH CONSULT-III

1. Turn ignition switch ON and wait at least 5 seconds.
2. Check DTC.
3. If DTC is detected, go to [EC-226, "Diagnostic Procedure"](#) .

WITH GST



Follow the procedure "WITH CONSULT-III" above.

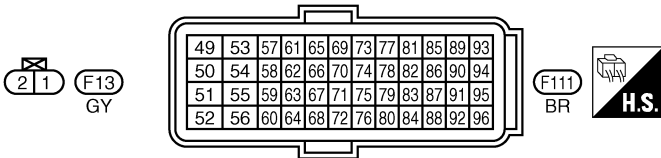
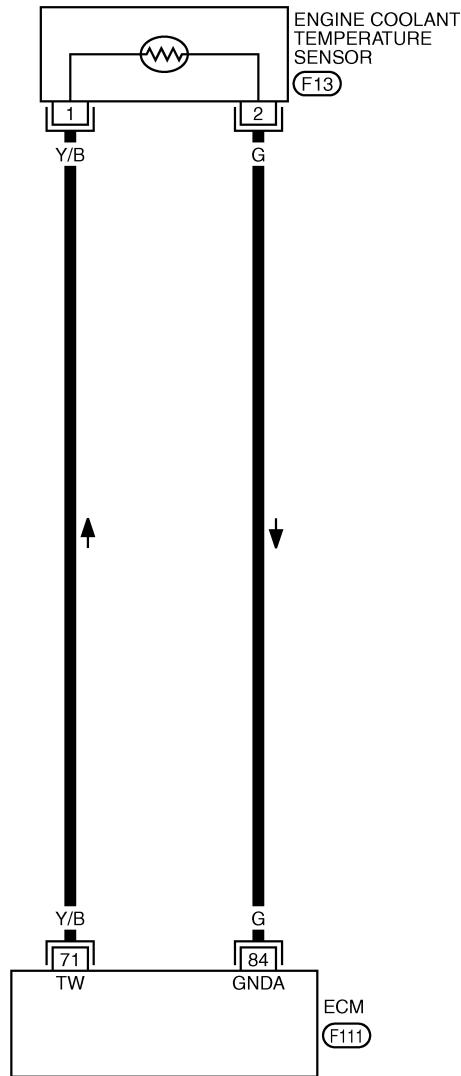
DTC P0117, P0118 ECT SENSOR

Wiring Diagram

NBS0005Q

EC-ECTS-01

 : DETECTABLE LINE FOR DTC
 : NON-DETECTABLE LINE FOR DTC



TBWT1629E

DTC P0117, P0118 ECT SENSOR

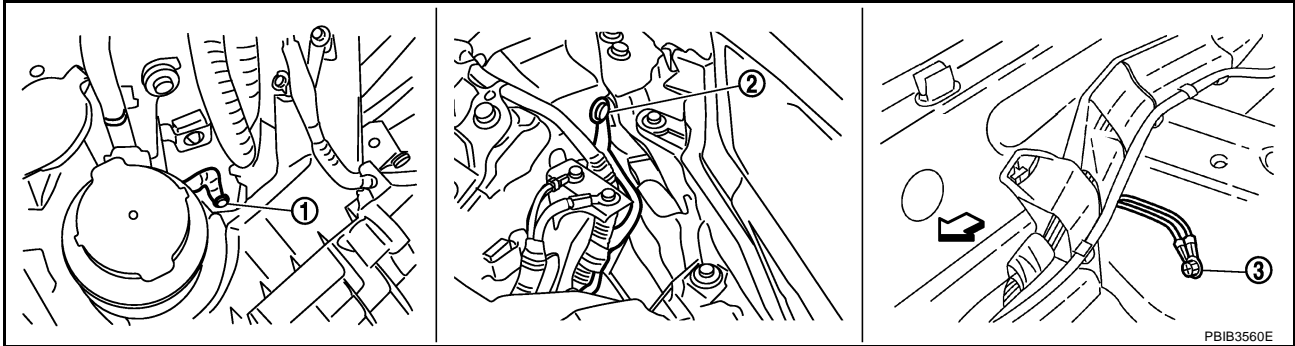
NBS0005R

Diagnostic Procedure

1. CHECK GROUND CONNECTIONS

Models with VDC system, navigation system or telephone

1. Turn ignition switch OFF.
2. Loosen and retighten ground screws on the body. Refer to [EC-150, "Ground Inspection"](#).



1. Body ground E17

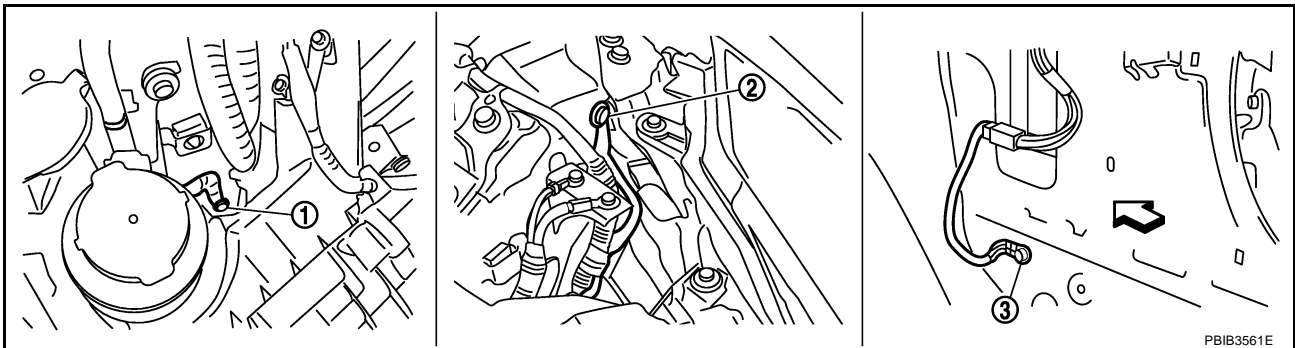
2. Body ground E43

3. Body ground B102

↔ Vehicle front

Models without VDC system, navigation system and telephone

1. Turn ignition switch OFF.
2. Loosen and retighten ground screws on the body. Refer to [EC-150, "Ground Inspection"](#).



1. Body ground E17

2. Body ground E43

3. Body ground F152
(Passenger side view with dash side
finisher removed)

↔ Vehicle front

OK or NG

- OK >> GO TO 2.
NG >> Repair or replace ground connections.

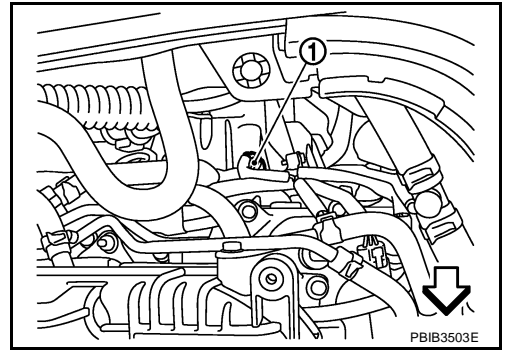
DTC P0117, P0118 ECT SENSOR

2. CHECK ENGINE COOLANT TEMPERATURE SENSOR POWER SUPPLY CIRCUIT

1. Disconnect engine coolant temperature sensor harness connector (1).

← : Vehicle front

2. Turn ignition switch ON.



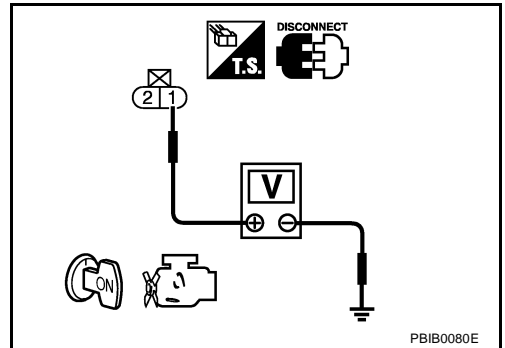
3. Check voltage between engine coolant temperature sensor terminal 1 and ground with CONSULT-III or tester.

Voltage: Approximately 5V

OK or NG

OK >> GO TO 3.

NG >> Repair open circuit or short to ground or short to power in harness or connectors.



3. CHECK ENGINE COOLANT TEMPERATURE SENSOR GROUND CIRCUIT FOR OPEN AND SHORT

1. Turn ignition switch OFF.
2. Disconnect ECM harness connector.
3. Check harness continuity between ENGINE COOLANT TEMPERATURE sensor terminal 2 and ECM terminal 84.
Refer to Wiring Diagram.

Continuity should exist.

4. Also check harness for short to ground and short to power.

OK or NG

OK >> GO TO 4.

NG >> Repair open circuit or short to ground or short to power in harness or connectors.

4. CHECK ENGINE COOLANT TEMPERATURE SENSOR

Refer to [EC-228, "Component Inspection"](#) .

OK or NG

OK >> GO TO 5.

NG >> Replace engine coolant temperature sensor.

5. CHECK INTERMITTENT INCIDENT

Refer to [EC-141, "TROUBLE DIAGNOSIS FOR INTERMITTENT INCIDENT"](#) .

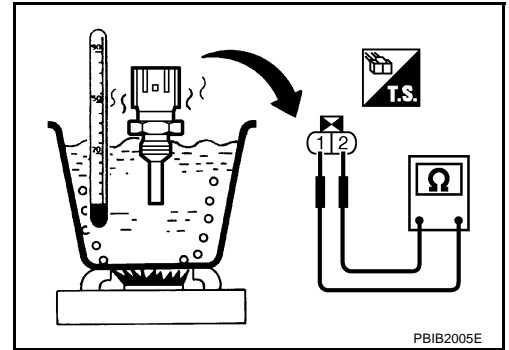
>> **INSPECTION END**

DTC P0117, P0118 ECT SENSOR

NBS0005S

Component Inspection ENGINE COOLANT TEMPERATURE SENSOR

1. Check resistance between engine coolant temperature sensor terminals 1 and 2 as shown in the figure.

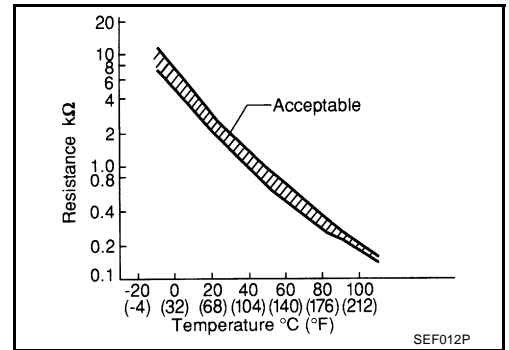


PBIB2005E

<Reference data>

Engine coolant temperature °C (°F)	Resistance kΩ
20 (68)	2.37 - 2.63
50 (122)	0.68 - 1.00
90 (194)	0.236 - 0.260

2. If NG, replace engine coolant temperature sensor.



SEF012P

Removal and Installation ENGINE COOLANT TEMPERATURE SENSOR

Refer to [CO-28, "WATER OUTLET AND WATER PIPING"](#) .

NBS0005T

DTC P0122, P0123, P0227, P0228 TP SENSOR

DTC P0122, P0123, P0227, P0228 TP SENSOR

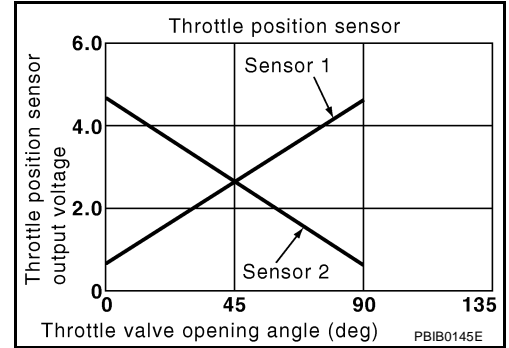
PF16:16119

Component Description

NBS0005U

Electric throttle control actuator consists of throttle control motor, throttle position sensor, etc. The throttle position sensor responds to the throttle valve movement.

The throttle position sensor has two sensors. These sensors are a kind of potentiometers which transform the throttle valve position into output voltage, and emit the voltage signal to the ECM. In addition, these sensors detect the opening and closing speed of the throttle valve and feed the voltage signals to the ECM. The ECM judges the current opening angle of the throttle valve from these signals and the ECM controls the throttle control motor to make the throttle valve opening angle properly in response to driving condition.



CONSULT-III Reference Value in Data Monitor Mode

NBS0005V

Specification data are reference values.

MONITOR ITEM	CONDITION	SPECIFICATION
TP SEN 1-B1 TP SEN 1-B2 TP SEN 2-B1* TP SEN 2-B2*	<ul style="list-style-type: none"> Ignition switch: ON (Engine stopped) Shift lever: D (A/T), 1st (M/T) 	Accelerator pedal: Fully released Accelerator pedal: Fully depressed
		More than 0.36V Less than 4.75V

*: Throttle position sensor 2 signal is converted by ECM internally. Thus, it differs from ECM terminal voltage signal.

On Board Diagnosis Logic

NBS0005W

These self-diagnoses have the one trip detection logic.

NOTE:

If DTC P0122, P0123, P0227 or P0228 is displayed with DTC P0643, first perform the trouble diagnosis for DTC P0643.

Refer to [EC-514, "DTC P0643 SENSOR POWER SUPPLY"](#).

DTC No.	Trouble diagnosis name	DTC detecting condition	Possible cause
P0122 0122 (Bank 1)	Throttle position sensor 2 circuit low input	An excessively low voltage from the TP sensor 2 is sent to ECM.	<ul style="list-style-type: none"> Harness or connectors (TP sensor 2 circuit is open or shorted.) Electric throttle control actuator (TP sensor 2)
P0227 0227 (Bank 2)			
P0123 0123 (Bank 1)	Throttle position sensor 2 circuit high input	An excessively high voltage from the TP sensor 2 is sent to ECM.	
P0228 0228 (Bank 2)			

FAIL-SAFE MODE

When the malfunction is detected, ECM enters fail-safe mode and the MIL lights up.

Engine operation condition in fail-safe mode

The ECM controls the electric throttle control actuator in regulating the throttle opening in order for the idle position to be within +10 degrees.

The ECM regulates the opening speed of the throttle valve to be slower than the normal condition.

So, the acceleration will be poor.

DTC P0122, P0123, P0227, P0228 TP SENSOR

DTC Confirmation Procedure

NBS0005X

NOTE:

If DTC Confirmation Procedure has been previously conducted, always turn ignition switch OFF and wait at least 10 seconds before conducting the next test.

TESTING CONDITION:

Before performing the following procedure, confirm that battery voltage is more than 8V at idle.

WITH CONSULT-III

1. Start engine and let it idle for 1 second.
2. Check DTC.
3. If DTC is detected, go to [EC-235, "Diagnostic Procedure"](#).

WITH GST

Follow the procedure "WITH CONSULT-III" above.

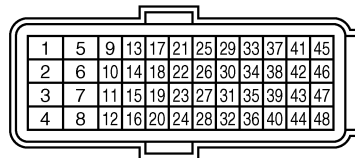
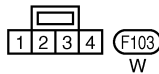
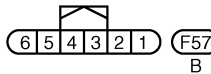
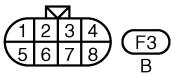
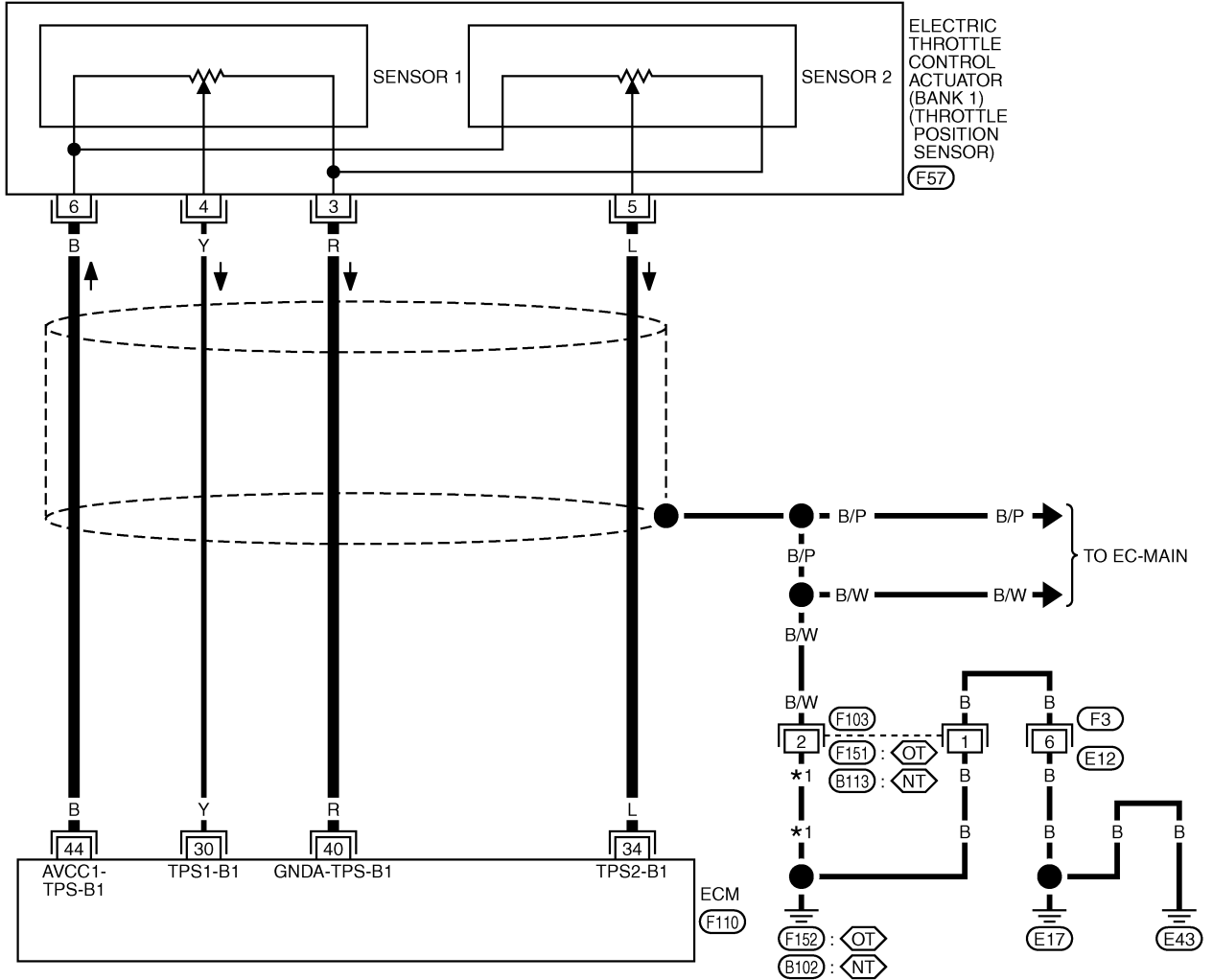
DTC P0122, P0123, P0227, P0228 TP SENSOR

Wiring Diagram BANK 1

NBS0005Y

EC-TPS2B1-01

- : DETECTABLE LINE FOR DTC
- : NON-DETECTABLE LINE FOR DTC
- ⬠** : WITH VDC SYSTEM, NAVIGATION SYSTEM OR TELEPHONE
- ⬡** : WITHOUT VDC SYSTEM, NAVIGATION SYSTEM AND TELEPHONE
- *1 B : **⬠**
- B/W : **⬡**



TBWT1630E

DTC P0122, P0123, P0227, P0228 TP SENSOR

Specification data are reference values and are measured between each terminal and ground.

CAUTION:

Do not use ECM ground terminals when measuring input/output voltage. Doing so may result in damage to the ECM's transistor. Use a ground other than ECM terminals, such as the ground.

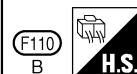
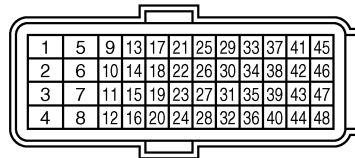
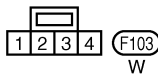
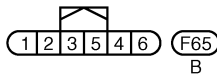
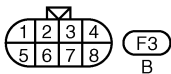
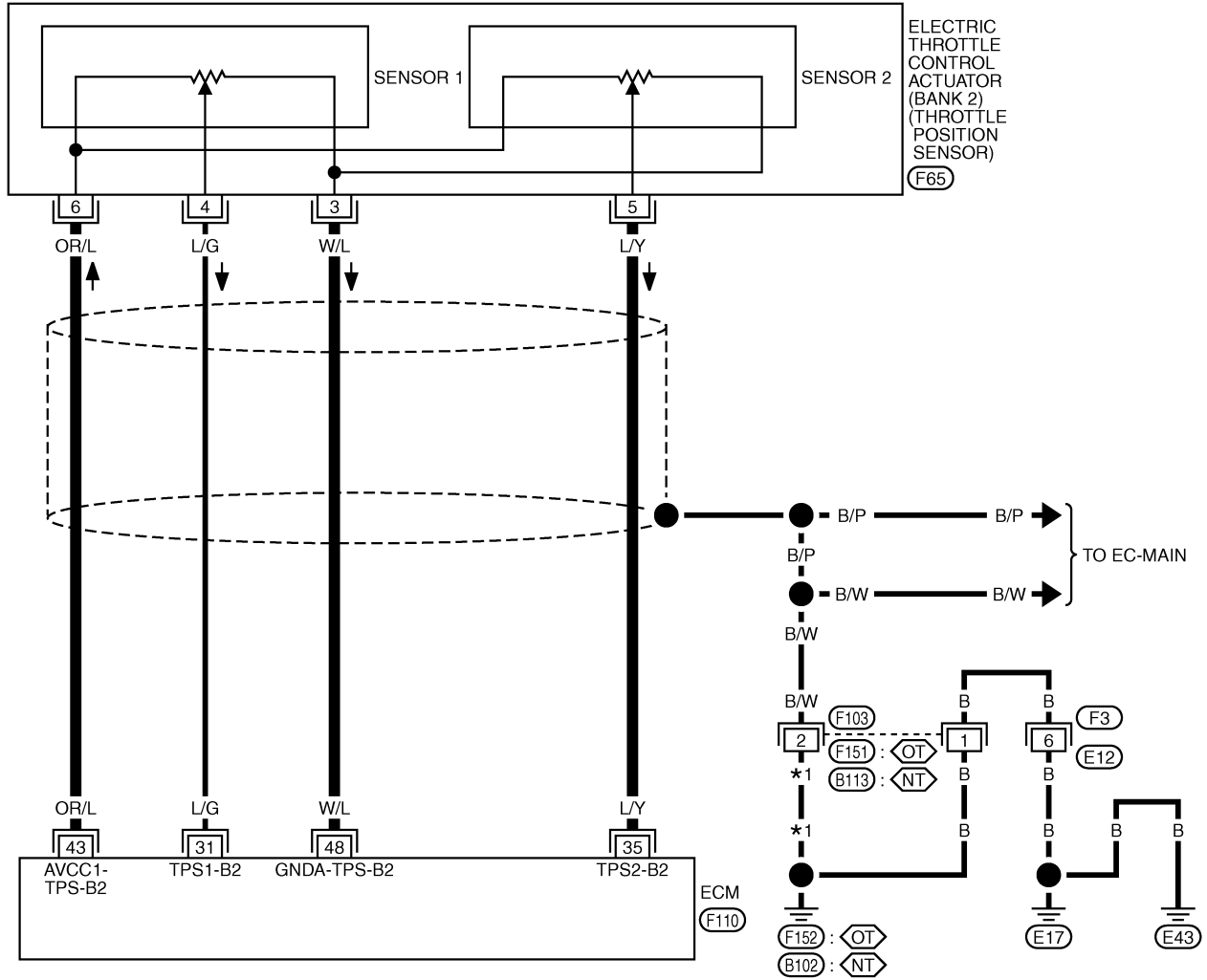
TER-MINAL NO.	WIRE COLOR	ITEM	CONDITION	DATA (DC Voltage)
30	Y	Throttle position sensor 1 (bank 1)	[Ignition switch: ON] <ul style="list-style-type: none"> ● Engine stopped ● Shift lever: D (A/T) or 1st (M/T) ● Accelerator pedal: Fully released 	More than 0.36V
			[Ignition switch: ON] <ul style="list-style-type: none"> ● Engine stopped ● Shift lever: D (A/T) or 1st (M/T) ● Accelerator pedal: Fully depressed 	Less than 4.75V
34	L	Throttle position sensor 2 (bank 1)	[Ignition switch: ON] <ul style="list-style-type: none"> ● Engine stopped ● Shift lever: D (A/T) or 1st (M/T) ● Accelerator pedal: Fully released 	Less than 4.75V
			[Ignition switch: ON] <ul style="list-style-type: none"> ● Engine stopped ● Shift lever: D (A/T) or 1st (M/T) ● Accelerator pedal: Fully depressed 	More than 0.36V
40	R	Sensor ground [Throttle position sensor (bank 1)]	[Engine is running] <ul style="list-style-type: none"> ● Warm-up condition ● Idle speed 	0V
44	B	Sensor power supply [Throttle position sensor (bank 1)]	[Ignition switch: ON]	5V

DTC P0122, P0123, P0227, P0228 TP SENSOR

BANK 2

EC-TPS2B2-01

- : DETECTABLE LINE FOR DTC
- : NON-DETECTABLE LINE FOR DTC
- ◊NT** : WITH VDC SYSTEM, NAVIGATION SYSTEM OR TELEPHONE
- ◊OT** : WITHOUT VDC SYSTEM, NAVIGATION SYSTEM AND TELEPHONE
- *1 B : **◊NT**
- B/W : **◊OT**



TBWT1631E

DTC P0122, P0123, P0227, P0228 TP SENSOR

Specification data are reference values and are measured between each terminal and ground.

CAUTION:

Do not use ECM ground terminals when measuring input/output voltage. Doing so may result in damage to the ECM's transistor. Use a ground other than ECM terminals, such as the ground.

TER-MINAL NO.	WIRE COLOR	ITEM	CONDITION	DATA (DC Voltage)
31	L/G	Throttle position sensor 1 (bank 2)	[Ignition switch: ON] <ul style="list-style-type: none"> ● Engine stopped ● Shift lever: D (A/T) or 1st (M/T) ● Accelerator pedal: Fully released 	More than 0.36V
			[Ignition switch: ON] <ul style="list-style-type: none"> ● Engine stopped ● Shift lever: D (A/T) or 1st (M/T) ● Accelerator pedal: Fully depressed 	Less than 4.75V
35	L/Y	Throttle position sensor 2 (bank 2)	[Ignition switch: ON] <ul style="list-style-type: none"> ● Engine stopped ● Shift lever: D (A/T) or 1st (M/T) ● Accelerator pedal: Fully released 	Less than 4.75V
			[Ignition switch: ON] <ul style="list-style-type: none"> ● Engine stopped ● Shift lever: D (A/T) or 1st (M/T) ● Accelerator pedal: Fully depressed 	More than 0.36V
43	OR/L	Sensor power supply [Throttle position sensor (bank 2)]	[Ignition switch: ON]	5V
48	W/L	Sensor ground [Throttle position sensor (bank 2)]	[Engine is running] <ul style="list-style-type: none"> ● Warm-up condition ● Idle speed 	0V

DTC P0122, P0123, P0227, P0228 TP SENSOR

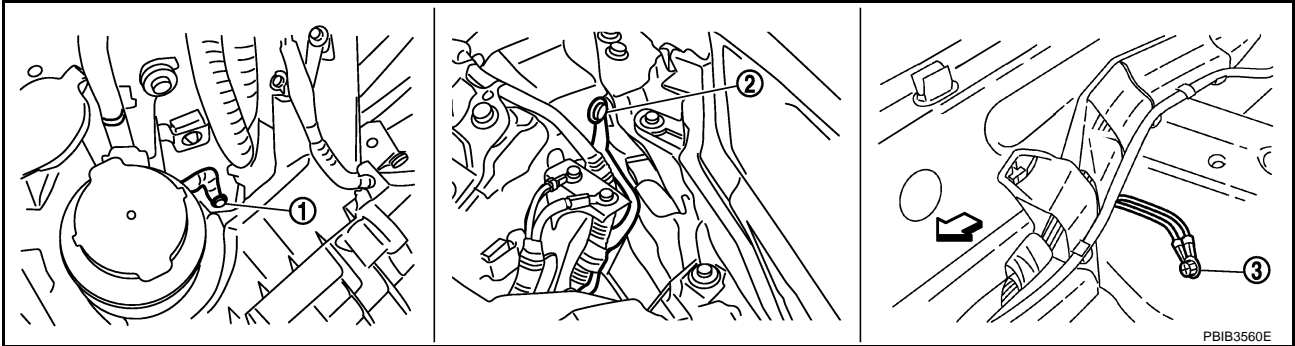
NBS0005Z

Diagnostic Procedure

1. CHECK GROUND CONNECTIONS

Models with VDC system, navigation system or telephone

1. Turn ignition switch OFF.
2. Loosen and retighten ground screws on the body. Refer to [EC-150, "Ground Inspection"](#).



1. Body ground E17

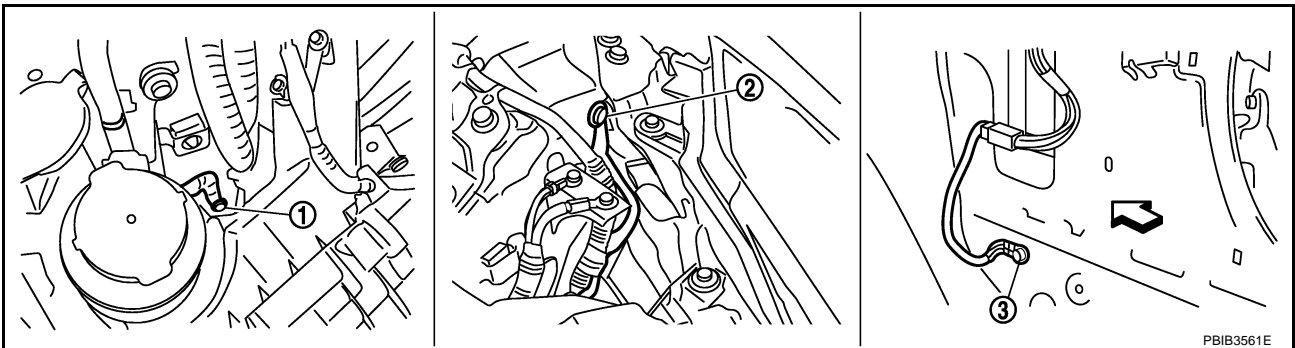
2. Body ground E43

3. Body ground B102

← Vehicle front

Models without VDC system, navigation system and telephone

1. Turn ignition switch OFF.
2. Loosen and retighten ground screws on the body. Refer to [EC-150, "Ground Inspection"](#).



1. Body ground E17

2. Body ground E43

3. Body ground F152
(Passenger side view with dash side
finisher removed)

← Vehicle front

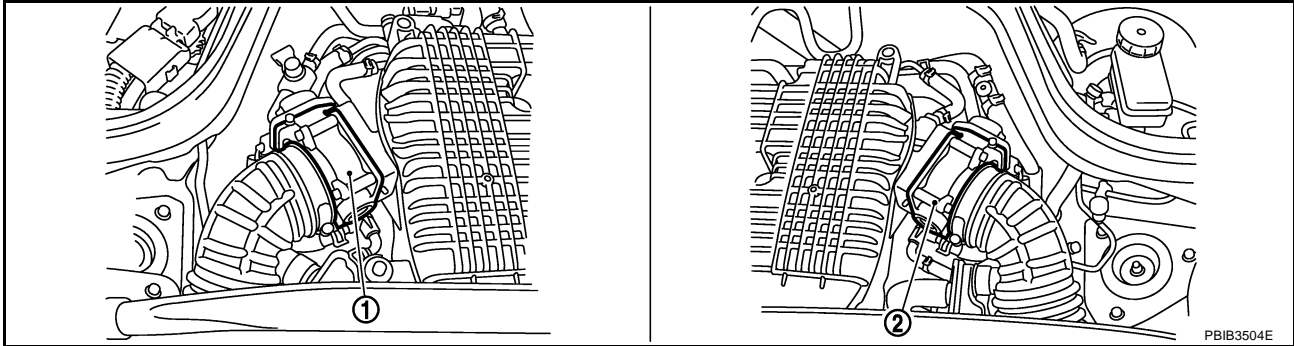
OK or NG

- OK >> GO TO 2.
NG >> Repair or replace ground connections.

DTC P0122, P0123, P0227, P0228 TP SENSOR

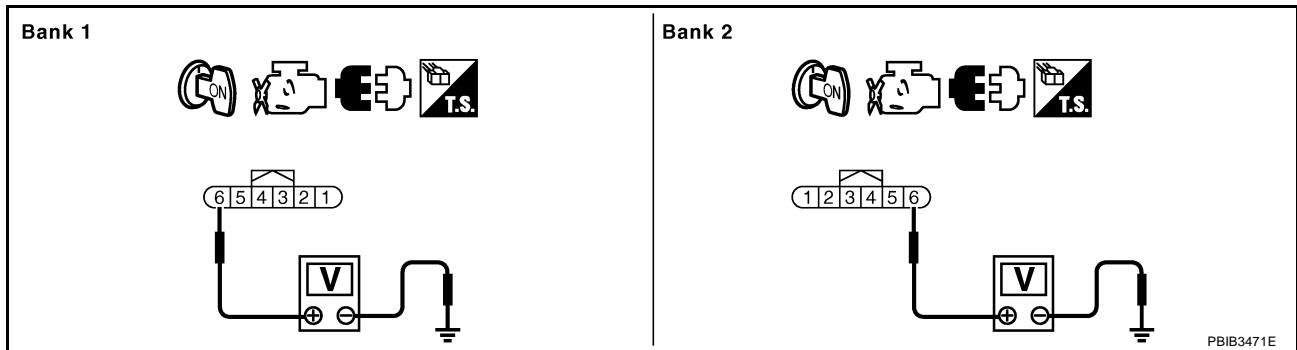
2. CHECK THROTTLE POSITION SENSOR 2 POWER SUPPLY CIRCUIT-I

1. Disconnect electric throttle control actuator harness connector.



1. Electric throttle control actuator (bank 1)
2. Electric throttle control actuator (bank 2)

2. Turn ignition switch ON.
3. Check voltage between electric throttle control actuator terminal 6 and ground with CONSULT-III or tester.



Voltage: Approximately 5V

OK or NG

OK >> GO TO 3.

NG >> Repair open circuit or short to ground or short to power in harness connectors.

3. CHECK THROTTLE POSITION SENSOR 2 GROUND CIRCUIT FOR OPEN AND SHORT

1. Turn ignition switch OFF.
2. Disconnect ECM harness connector.
3. Check harness continuity between electric throttle control actuator terminal 3 and ECM terminal 40 (bank 1) or 48 (bank 2). Refer to Wiring Diagram.

Continuity should exist.

4. Also check harness for short to ground and short to power.

OK or NG

OK >> GO TO 4.

NG >> Repair open circuit or short to ground or short to power in harness or connectors.

DTC P0122, P0123, P0227, P0228 TP SENSOR

4. CHECK THROTTLE POSITION SENSOR 2 INPUT SIGNAL CIRCUIT FOR OPEN AND SHORT

1. Check harness continuity between ECM terminal 34 (bank 1) or 35 (bank 2) and electric throttle control actuator terminal 5.
Refer to Wiring Diagram.

Continuity should exist.

2. Also check harness for short to ground and short to power.

OK or NG

OK >> GO TO 5.

NG >> Repair open circuit or short to ground or short to power in harness or connectors.

5. CHECK THROTTLE POSITION SENSOR

Refer to [EC-237, "Component Inspection"](#).

OK or NG

OK >> GO TO 7.

NG >> GO TO 6.

6. REPLACE ELECTRIC THROTTLE CONTROL ACTUATOR

1. Replace malfunctioning electric throttle control actuator.
2. Perform [EC-77, "Throttle Valve Closed Position Learning"](#).
3. Perform [EC-77, "Idle Air Volume Learning"](#).

>> INSPECTION END

7. CHECK INTERMITTENT INCIDENT

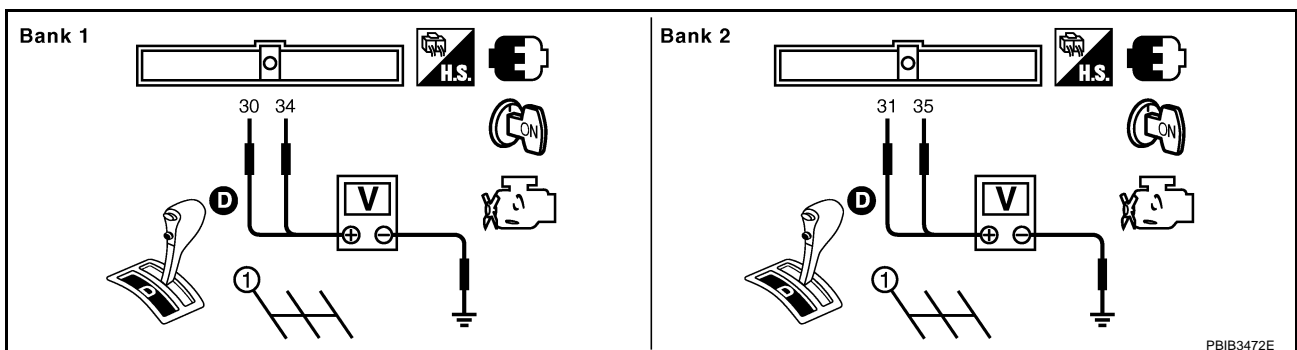
Refer to [EC-141, "TROUBLE DIAGNOSIS FOR INTERMITTENT INCIDENT"](#).

>> INSPECTION END

Component Inspection THROTTLE POSITION SENSOR

NBS00060

1. Reconnect all harness connectors disconnected.
2. Perform [EC-77, "Throttle Valve Closed Position Learning"](#).
3. Turn ignition switch ON.
4. Set shift lever to D (A/T) or 1st (M/T) position.
5. Check voltage between ECM terminals 30 [TP sensor 1 (bank 1) signal], 31 [TP sensor 1 (bank 2) signal], 34 [TP sensor 2 (bank 1) signal], 35 [TP sensor 2 (bank 2) signal] and ground under the following conditions.



DTC P0122, P0123, P0227, P0228 TP SENSOR

Terminal	Accelerator pedal	Voltage
30 [TP sensor 1 (bank 1)]	Fully released	More than 0.36V
31 [TP sensor 1 (bank 2)]	Fully depressed	Less than 4.75V
34 [TP sensor 2 (bank 1)]	Fully released	Less than 4.75V
35 [TP sensor 2 (bank 2)]	Fully depressed	More than 0.36V

6. If NG, replace electric throttle control actuator and go to the next step.
7. Perform [EC-77, "Throttle Valve Closed Position Learning"](#) .
8. Perform [EC-77, "Idle Air Volume Learning"](#) .

Removal and Installation ELECTRIC THROTTLE CONTROL ACTUATOR

NBS00061

Refer to [EM-17, "INTAKE MANIFOLD COLLECTOR"](#) .

DTC P0125 ECT SENSOR

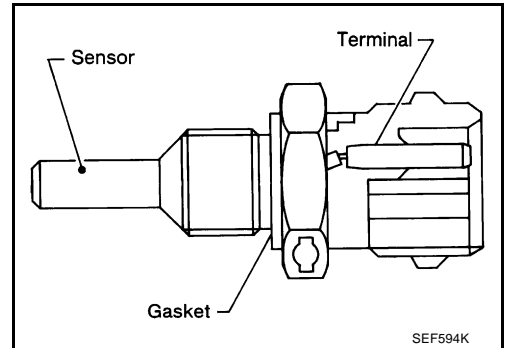
DTC P0125 ECT SENSOR

PFP:22630

Component Description

NBS00062

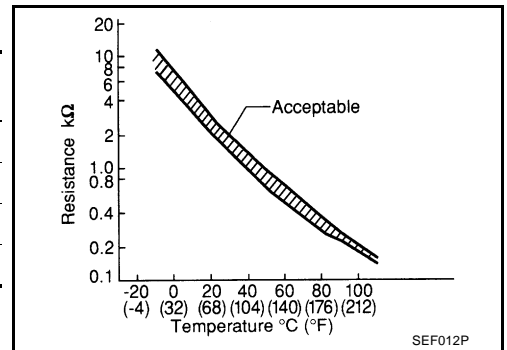
The engine coolant temperature sensor is used to detect the engine coolant temperature. The sensor modifies a voltage signal from the ECM. The modified signal returns to the ECM as the engine coolant temperature input. The sensor uses a thermistor which is sensitive to the change in temperature. The electrical resistance of the thermistor decreases as temperature increases.



<Reference data>

Engine coolant temperature °C (°F)	Voltage* V	Resistance kΩ
-10 (14)	4.4	7.0 - 11.4
20 (68)	3.5	2.37 - 2.63
50 (122)	2.2	0.68 - 1.00
90 (194)	0.9	0.236 - 0.260

*: This data is reference values and is measured between ECM terminal 71 (Engine coolant temperature sensor) and ground.



CAUTION:

Do not use ECM ground terminals when measuring input/output voltage. Doing so may result in damage to the ECM's transistor. Use a ground other than ECM terminals, such as the ground.

On Board Diagnosis Logic

NBS00063

NOTE:

If DTC P0125 is displayed with P0117 or P0118, first perform the trouble diagnosis for DTC P0117 or P0118.

Refer to [EC-223, "DTC P0117, P0118 ECT SENSOR"](#).

DTC No.	Trouble diagnosis name	DTC detecting condition	Possible cause
P0125 0125	Insufficient engine coolant temperature for closed loop fuel control	<ul style="list-style-type: none"> ● Voltage sent to ECM from the sensor is not practical, even when some time has passed after starting the engine. ● Engine coolant temperature is insufficient for closed loop fuel control. 	<ul style="list-style-type: none"> ● Harness or connectors (High resistance in the circuit) ● Engine coolant temperature sensor ● Thermostat

DTC P0125 ECT SENSOR

NBS00064

DTC Confirmation Procedure

CAUTION:

Be careful not to overheat engine.

NOTE:

If DTC Confirmation Procedure has been previously conducted, always turn ignition switch OFF and wait at least 10 seconds before conducting the next test.

WITH CONSULT-III

1. Turn ignition switch ON.
2. Select "DATA MONITOR" mode with CONSULT-III.
3. Check that "COOLAN TEMP/S" is above 10°C (50°F).
If it is above 10°C (50°F), the test result will be OK.
If it is below 10°C (50°F), go to following step.
4. Start engine and run it for 65 minutes at idle speed.
If "COOLAN TEMP/S" increases to more than 10°C (50°F) within 65 minutes, stop engine because the test result will be OK.
5. Check 1st trip DTC.
6. If 1st trip DTC is detected, go to [EC-241, "Diagnostic Procedure"](#).

WITH GST

Follow the procedure "WITH CONSULT-III" above.

DTC P0125 ECT SENSOR

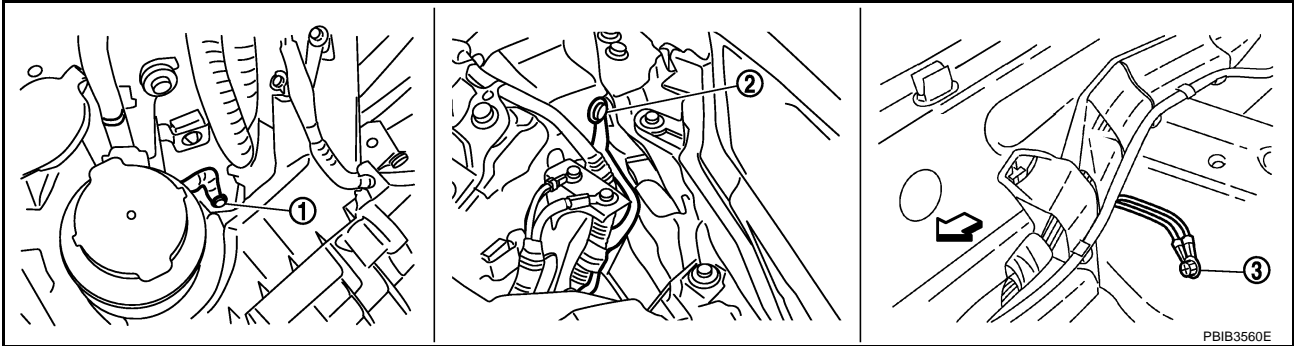
NBS00065

Diagnostic Procedure

1. CHECK GROUND CONNECTIONS

Models with VDC system, navigation system or telephone

1. Turn ignition switch OFF.
2. Loosen and retighten ground screws on the body. Refer to [EC-150, "Ground Inspection"](#).



1. Body ground E17

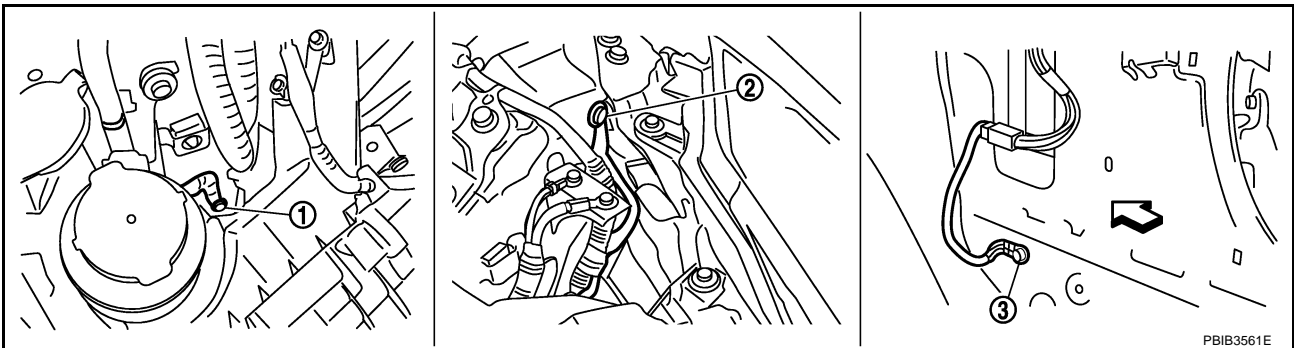
2. Body ground E43

3. Body ground B102

↔ Vehicle front

Models without VDC system, navigation system and telephone

1. Turn ignition switch OFF.
2. Loosen and retighten ground screws on the body. Refer to [EC-150, "Ground Inspection"](#).



1. Body ground E17

2. Body ground E43

3. Body ground F152
(Passenger side view with dash side
finisher removed)

↔ Vehicle front

OK or NG

- OK >> GO TO 2.
NG >> Repair or replace ground connections.

2. CHECK ENGINE COOLANT TEMPERATURE SENSOR

Refer to [EC-242, "Component Inspection"](#).

OK or NG

- OK >> GO TO 3.
NG >> Replace engine coolant temperature sensor.

DTC P0125 ECT SENSOR

3. CHECK THERMOSTAT OPERATION

When the engine is cold [lower than 70°C (158°F)] condition, grasp lower radiator hose and confirm the engine coolant does not flow.

OK or NG

OK >> GO TO 4.

NG >> Repair or replace thermostat. Refer to [CO-26, "WATER INLET AND THERMOSTAT ASSEMBLY"](#)

4. CHECK INTERMITTENT INCIDENT

Refer to [EC-141, "TROUBLE DIAGNOSIS FOR INTERMITTENT INCIDENT"](#) .

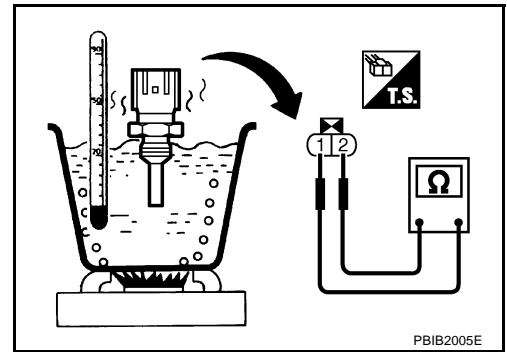
Refer to [EC-225, "Wiring Diagram"](#) .

>> INSPECTION END

Component Inspection ENGINE COOLANT TEMPERATURE SENSOR

NBS00066

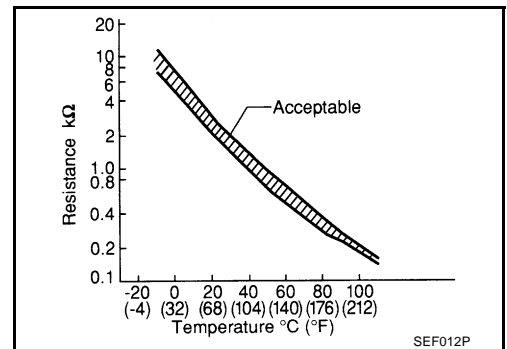
1. Check resistance between engine coolant temperature sensor terminals 1 and 2 as shown in the figure.



<Reference data>

Engine coolant temperature °C (°F)	Resistance kΩ
20 (68)	2.37 - 2.63
50 (122)	0.68 - 1.00
90 (194)	0.236 - 0.260

2. If NG, replace engine coolant temperature sensor.



Removal and Installation ENGINE COOLANT TEMPERATURE SENSOR

NBS00067

Refer to [CO-28, "WATER OUTLET AND WATER PIPING"](#) .

DTC P0127 IAT SENSOR

DTC P0127 IAT SENSOR

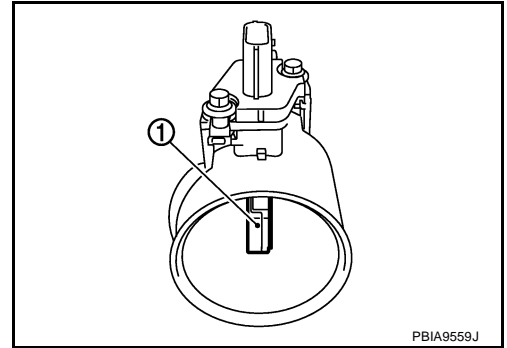
PFP:22630

Component Description

NBS00068

The intake air temperature sensor (1) is built into mass air flow sensor. The sensor detects intake air temperature and transmits a signal to the ECM.

The temperature sensing unit uses a thermistor which is sensitive to the change in temperature. Electrical resistance of the thermistor decreases in response to the temperature rise.



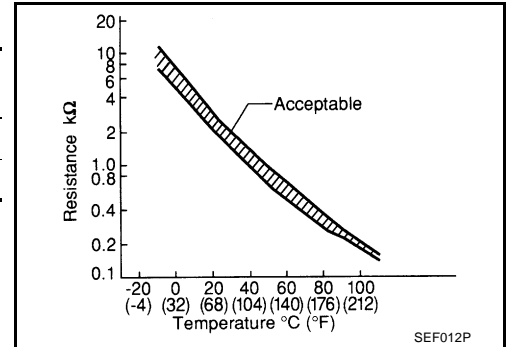
<Reference data>

Intake air temperature °C (°F)	Voltage* V	Resistance kΩ
25 (77)	3.3	1.800 - 2.200
80 (176)	1.2	0.283 - 0.359

*: This data is reference values and is measured between ECM terminal 67 [Intake air temperature sensor (bank 1)] and ground.

CAUTION:

Do not use ECM ground terminals when measuring input/output voltage. Doing so may result in damage to the ECM's transistor. Use a ground other than ECM terminals, such as the ground.



On Board Diagnosis Logic

NBS00069

DTC No.	Trouble diagnosis name	DTC detecting condition	Possible cause
P0127 0127	Intake air temperature too high	Rationally incorrect voltage from the sensor is sent to ECM, compared with the voltage signal from engine coolant temperature sensor.	<ul style="list-style-type: none"> ● Harness or connectors (The sensor circuit is open or shorted) ● Intake air temperature sensor

DTC Confirmation Procedure

NBS0006A

NOTE:

If DTC Confirmation Procedure has been previously conducted, always turn ignition switch OFF and wait at least 10 seconds before conducting the next test.

CAUTION:

Always drive vehicle at a safe speed.

TESTING CONDITION:

This test may be conducted with the drive wheels lifted in the shop or by driving the vehicle. If a road test is expected to be easier, it is unnecessary to lift the vehicle.

WITH CONSULT-III

1. Wait until engine coolant temperature is less than 90°C (194°F)
 - a. Turn ignition switch ON.
 - b. Select "DATA MONITOR" mode with CONSULT-III.
 - c. Check the engine coolant temperature.
 - d. If the engine coolant temperature is not less than 90°C (194°F), turn ignition switch OFF and cool down engine.

NOTE:

Perform the following steps before engine coolant temperature is above 90°C (194°F).

2. Turn ignition switch ON.
3. Select "DATA MONITOR" mode with CONSULT-III.

DTC P0127 IAT SENSOR

4. Start engine.
5. Hold vehicle speed at more than 70 km/h (43 MPH) for 100 consecutive seconds.
6. Check 1st trip DTC.
7. If 1st trip DTC is detected, go to [EC-244, "Diagnostic Procedure"](#).

WITH GST

Follow the procedure "WITH CONSULT-III" above.

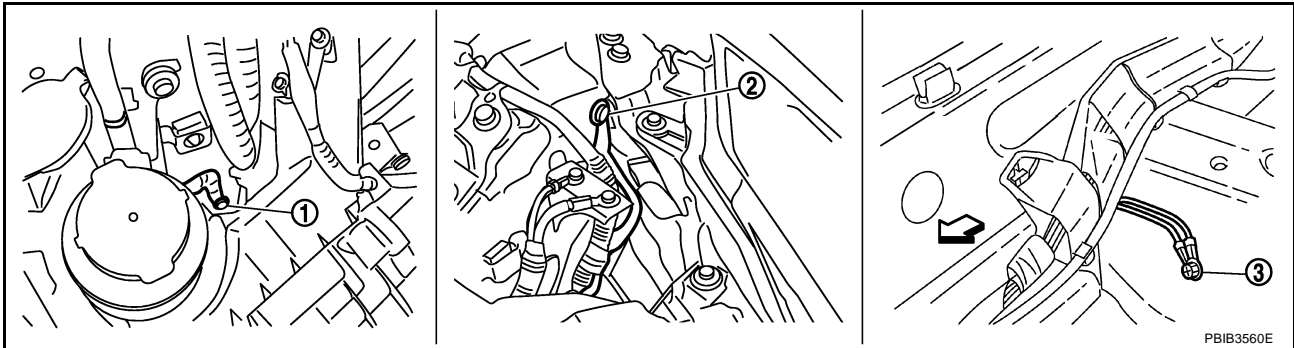
Diagnostic Procedure

NBS0006B

1. CHECK GROUND CONNECTIONS

Models with VDC system, navigation system or telephone

1. Turn ignition switch OFF.
2. Loosen and retighten ground screws on the body. Refer to [EC-150, "Ground Inspection"](#).



1. Body ground E17

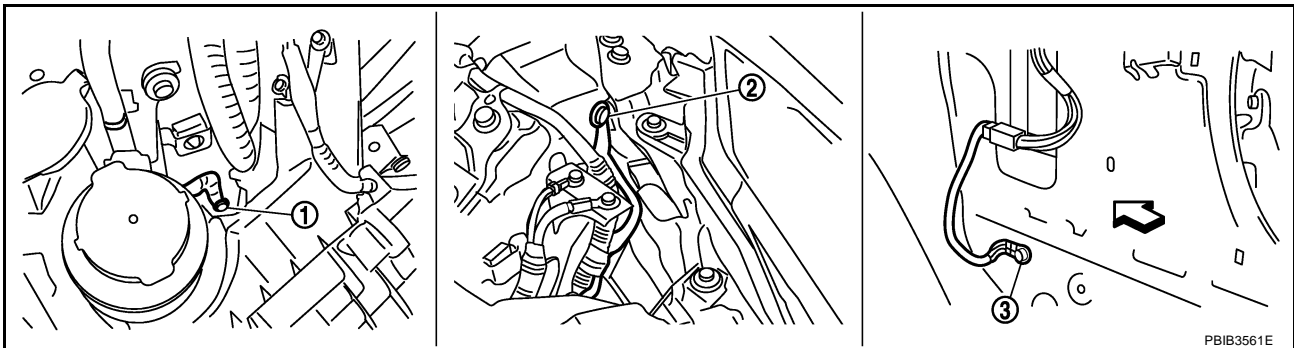
2. Body ground E43

3. Body ground B102

 Vehicle front

Models without VDC system, navigation system and telephone

1. Turn ignition switch OFF.
2. Loosen and retighten ground screws on the body. Refer to [EC-150, "Ground Inspection"](#).



1. Body ground E17

2. Body ground E43

3. Body ground F152
(Passenger side view with dash side
finisher removed)

 Vehicle front

OK or NG

- OK >> GO TO 2.
NG >> Repair or replace ground connections.

2. CHECK INTAKE AIR TEMPERATURE SENSOR

Refer to [EC-222, "Component Inspection"](#).

OK or NG

- OK >> GO TO 3.
NG >> Replace mass air flow sensor (with intake air temperature sensor) (bank 1).

DTC P0127 IAT SENSOR

3. CHECK INTERMITTENT INCIDENT

Refer to [EC-141, "TROUBLE DIAGNOSIS FOR INTERMITTENT INCIDENT"](#) .
Refer to [EC-219, "Wiring Diagram"](#) .

>> INSPECTION END

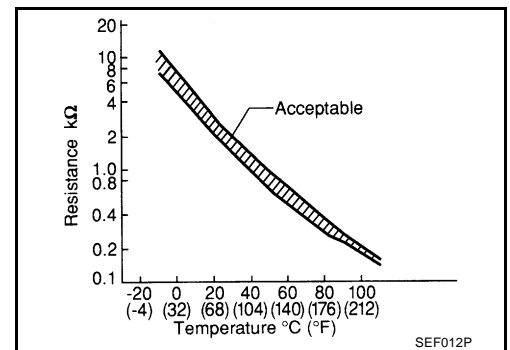
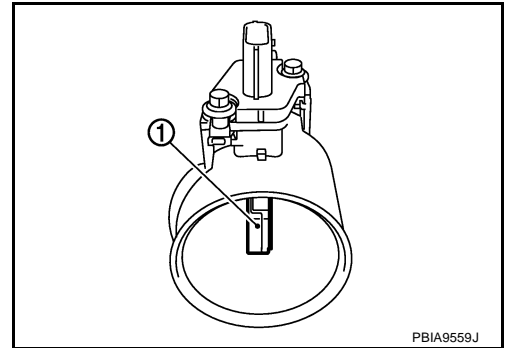
Component Inspection INTAKE AIR TEMPERATURE SENSOR

NBS0006C

1. Check resistance between mass air flow sensor (with intake air temperature sensor) (bank 1) (1) terminals 5 and 6 under the following conditions.

Intake air temperature °C (°F)	Resistance kΩ
25 (77)	1.800 - 2.200

2. If NG, replace mass air flow sensor (with intake air temperature sensor) (bank 1).



Removal and Installation MASS AIR FLOW SENSOR

NBS0006D

Refer to [EM-15, "AIR CLEANER AND AIR DUCT"](#) .

DTC P0128 THERMOSTAT FUNCTION

DTC P0128 THERMOSTAT FUNCTION

PFP:21200

On Board Diagnosis Logic

NBS0006E

Engine coolant temperature has not risen enough to open the thermostat even though the engine has run long enough.

This is due to a leak in the seal or the thermostat stuck open.

DTC No.	Trouble diagnosis name	DTC detecting condition	Possible cause
P0128 0128	Thermostat function	The engine coolant temperature does not reach to specified temperature even though the engine has run long enough.	<ul style="list-style-type: none">● Thermostat● Leakage from sealing portion of thermostat● Engine coolant temperature sensor

DTC Confirmation Procedure

NBS0006F

NOTE:

If DTC Confirmation Procedure has been previously conducted, always turn ignition switch OFF and wait at least 10 seconds before conducting the next test.

CAUTION:

Always drive vehicle at a safe speed.

TESTING CONDITION:

- For best results, perform at ambient temperature of -10°C (14°F) or higher.
- For best results, perform at engine coolant temperature of -10°C (14°F) to 68°C (154°F).

WITH CONSULT-III

1. Replace thermostat with new one. Refer to [CO-26, "WATER INLET AND THERMOSTAT ASSEMBLY"](#). Use only a genuine NISSAN thermostat as a replacement. If an incorrect thermostat is used, the MIL may come on.
2. Turn ignition switch ON.
3. Select "COOLAN TEMP/S" in "DATA MONITOR" mode with CONSULT-III.
4. Check the indication of "COOLAN TEMP/S".
If it is below 68°C (154°F), go to following step.
If it is above 68°C (154°F), cool down the engine to less than 60°C (140°F), then go to next step.
5. Drive vehicle for 10 consecutive minutes under the following conditions.

VHCL SPEED SE	80 - 120 km/h (50 - 75 MPH)
---------------	-----------------------------

6. Check 1st trip DTC.
7. If 1st trip DTC is detected, go to [EC-246, "Diagnostic Procedure"](#).

WITH GST

Follow the procedure "WITH CONSULT-III" above.

Diagnostic Procedure

NBS0006G

1. CHECK ENGINE COOLANT TEMPERATURE SENSOR

Refer to [EC-247, "Component Inspection"](#).

OK or NG

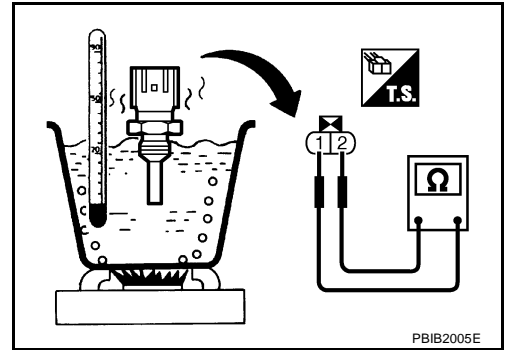
- OK >> **INSPECTION END**
- NG >> Replace engine coolant temperature sensor.

DTC P0128 THERMOSTAT FUNCTION

Component Inspection ENGINE COOLANT TEMPERATURE SENSOR

NBS0006H

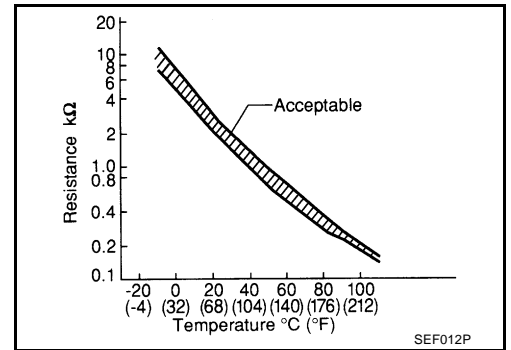
1. Check resistance between engine coolant temperature sensor terminals 1 and 2 as shown in the figure.



<Reference data>

Engine coolant temperature °C (°F)	Resistance kΩ
20 (68)	2.37 - 2.63
50 (122)	0.68 - 1.00
90 (194)	0.236 - 0.260

2. If NG, replace engine coolant temperature sensor.



Removal and Installation ENGINE COOLANT TEMPERATURE SENSOR

NBS0006I

Refer to [CO-28, "WATER OUTLET AND WATER PIPING"](#) .

DTC P0130, P0150 A/F SENSOR 1

DTC P0130, P0150 A/F SENSOR 1

PFP:22693

Component Description

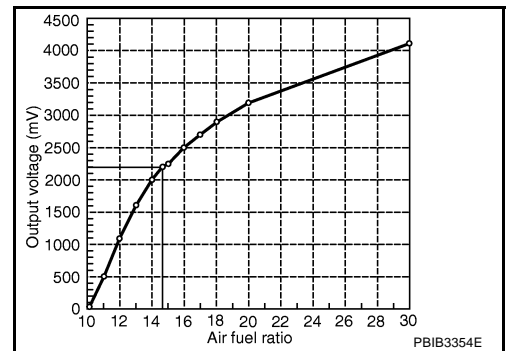
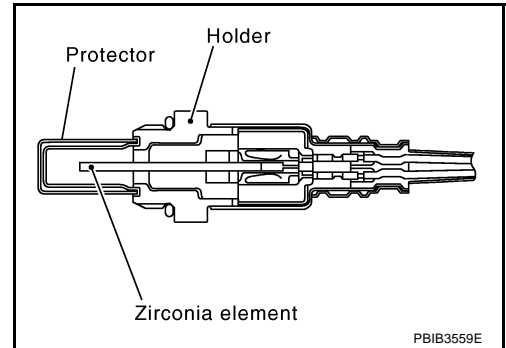
NBS006U5

The air fuel ratio (A/F) sensor 1 is a planar one-cell limit current sensor. The sensor element of the A/F sensor 1 is composed an electrode layer, which transports ions. It has a heater in the element.

The sensor is capable of precise measurement $\lambda = 1$, but also in the lean and rich range. Together with its control electronics, the sensor outputs a clear, continuous signal throughout a wide λ range.

The exhaust gas components diffuse through the diffusion layer at the sensor cell. An electrode layer is applied voltage, and this current relative oxygen density in lean. Also this current relative hydrocarbon density in rich.

Therefore, the A/F sensor 1 is able to indicate air fuel ratio by this electrode layer of current. In addition, a heater is integrated in the sensor to ensure the required operating temperature of about 800°C (1,472°F).



CONSULT-III Reference Value in Data Monitor Mode

NBS000ET

Specification data are reference values.

MONITOR ITEM	CONDITION	SPECIFICATION
A/F SEN1 (B1) A/F SEN1 (B2)	● Engine: After warming up Maintaining engine speed at 2,000 rpm	Fluctuates around 2.2V

On Board Diagnosis Logic

NBS000EU

To judge the malfunction, the diagnosis checks that the A/F signal computed by ECM from the A/F sensor 1 signal fluctuates according to fuel feedback control.

DTC No.	Trouble diagnosis name	DTC detecting condition	Possible Cause
P0130 0130 (Bank 1)	Air fuel ratio (A/F) sensor 1 circuit	● The A/F signal computed by ECM from the A/F sensor 1 signal is constantly in the range other than approx. 2.2V.	<ul style="list-style-type: none"> ● Harness or connectors (The A/F sensor 1 circuit is open or shorted.) ● Air fuel ratio (A/F) sensor 1
P0150 0150 (Bank 2)		● The A/F signal computed by ECM from the A/F sensor 1 signal is constantly approx. 2.2V.	

DTC Confirmation Procedure

NBS006U6

Perform **PROCEDURE FOR MALFUNCTION A** first.

If the DTC cannot be confirmed, perform **PROCEDURE FOR MALFUNCTION B**.

NOTE:

If DTC Confirmation Procedure has been previously conducted, always turn ignition switch OFF and wait at least 10 seconds before conducting the next test.

TESTING CONDITION:

Before performing the following procedure, confirm that battery voltage is more than 11V at idle.

PROCEDURE FOR MALFUNCTION A

Ⓟ With CONSULT-III

1. Start engine and warm it up to normal operating temperature.
2. Let engine idle for 2 minutes.

DTC P0130, P0150 A/F SENSOR 1

3. Check 1st trip DTC.
4. If 1st trip DTC is detected, go to [EC-254, "Diagnostic Procedure"](#) .

With GST

Follow the procedure "With CONSULT-III" above.

PROCEDURE FOR MALFUNCTION B

CAUTION:

Always drive vehicle at a safe speed.

With CONSULT-III

1. Start engine and warm it up to normal operating temperature.
2. Select "A/F SEN1 (B1)" or "A/F SEN1 (B2)" in "DATA MONITOR" mode with CONSULT-III.
3. Check "A/F SEN1 (B1)" or "A/F SEN1 (B2)" indication.
If the indication is constantly approx. 1.5V and does not fluctuates, go to [EC-254, "Diagnostic Procedure"](#) .
If the indication fluctuates around 1.5V, go to next step.
4. Select "A/F SEN1 (B1) P1276" (for DTC P0130) or "A/F SEN1 (B2) P1286" (for DTC P0150) of "A/F SEN1" in "DTC WORK SUPPORT" mode with CONSULT-III.
5. Touch "START".
6. When the following conditions are met, "TESTING" will be displayed on the CONSULT-III screen.

ENG SPEED	1,100 - 3,200 rpm
VHCL SPEED SE	More than 64 km/h (40 MPH)
B/FUEL SCHDL	1.0 - 8.0 msec
Shift lever	D position (A/T) 5th position (M/T)

If "TESTING" is not displayed after 20 seconds, retry from step 2.

7. Release accelerator pedal fully.
NOTE:
Never apply brake during releasing the accelerator pedal.
8. Make sure that "TESTING" changes to "COMPLETED".
If "TESTING" changed to "OUT OF CONDITION", retry from step 6.
9. Make sure that "OK" is displayed after touching "SELF-DIAG RESULT".
If "NG" is displayed, go to [EC-254, "Diagnostic Procedure"](#) .

Overall Function Check

NBS006U7

Use this procedure to check the overall function of the A/F sensor 1 circuit. During this check, a 1st trip DTC might not be confirmed.

WITH GST

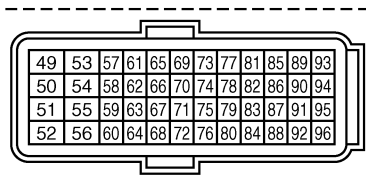
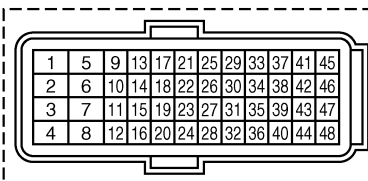
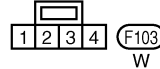
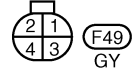
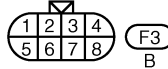
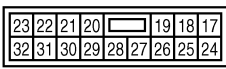
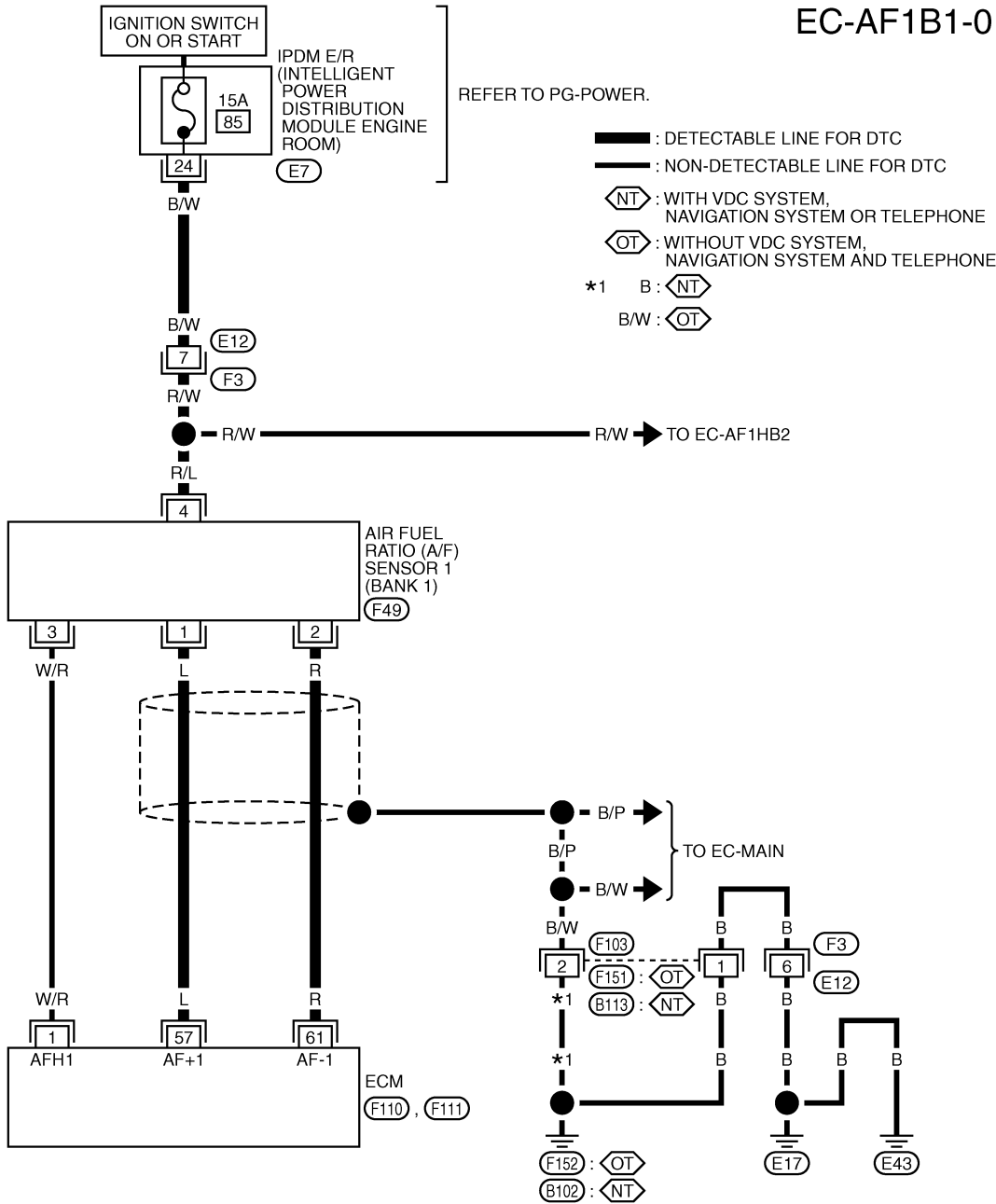
1. Start engine and warm it up to normal operating temperature.
2. Drive the vehicle at a speed of 80 km/h (50 MPH) for a few minutes in the suitable gear position.
3. Set shift lever to D position (A/T) or 5th position (M/T), then release the accelerator pedal fully until the vehicle speed decreases to 50 km/h (30 MPH).
NOTE:
Never apply brake during releasing the accelerator pedal.
4. Repeat steps 2 and 3 for five times.
5. Stop the vehicle and turn ignition switch OFF.
6. Wait at least 10 seconds and restart engine.
7. Repeat steps 2 and 3 for five times.
8. Stop the vehicle and connect GST to the vehicle.
9. Make sure that no 1st trip DTC is displayed.
If the 1st trip DTC is displayed, go to [EC-254, "Diagnostic Procedure"](#) .

DTC P0130, P0150 A/F SENSOR 1

NBS006U8

Wiring Diagram BANK 1

EC-AF1B1-01



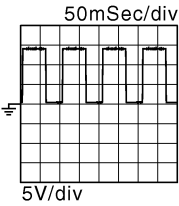
TBWT1632E

DTC P0130, P0150 A/F SENSOR 1

Specification data are reference values and are measured between each terminal and ground.
Pulse signal is measured by CONSULT-III.

CAUTION:

Do not use ECM ground terminals when measuring input/output voltage. Doing so may result in damage to the ECM's transistor. Use a ground other than ECM terminals, such as the ground.

TER-MINAL NO.	WIRE COLOR	ITEM	CONDITION	DATA (DC Voltage)
1	W/R	A/F sensor 1 heater (bank 1)	[Engine is running] <ul style="list-style-type: none"> ● Warm-up condition ● Idle speed (More than 140 seconds after starting engine) 	2.9 - 8.8V★  <small>PBIB3538E</small>
57	L	A/F sensor 1 (bank 1)	[Ignition switch: ON]	2.2V
61	R	A/F sensor 1 (bank 1)	[Ignition switch: ON] <ul style="list-style-type: none"> ● Warm-up condition ● Engine speed: 2,000 rpm 	1.8V Output voltage varies with air fuel ratio.

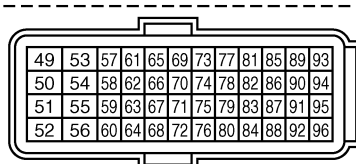
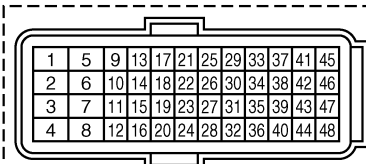
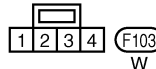
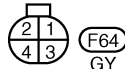
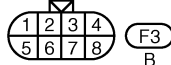
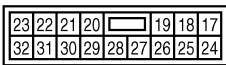
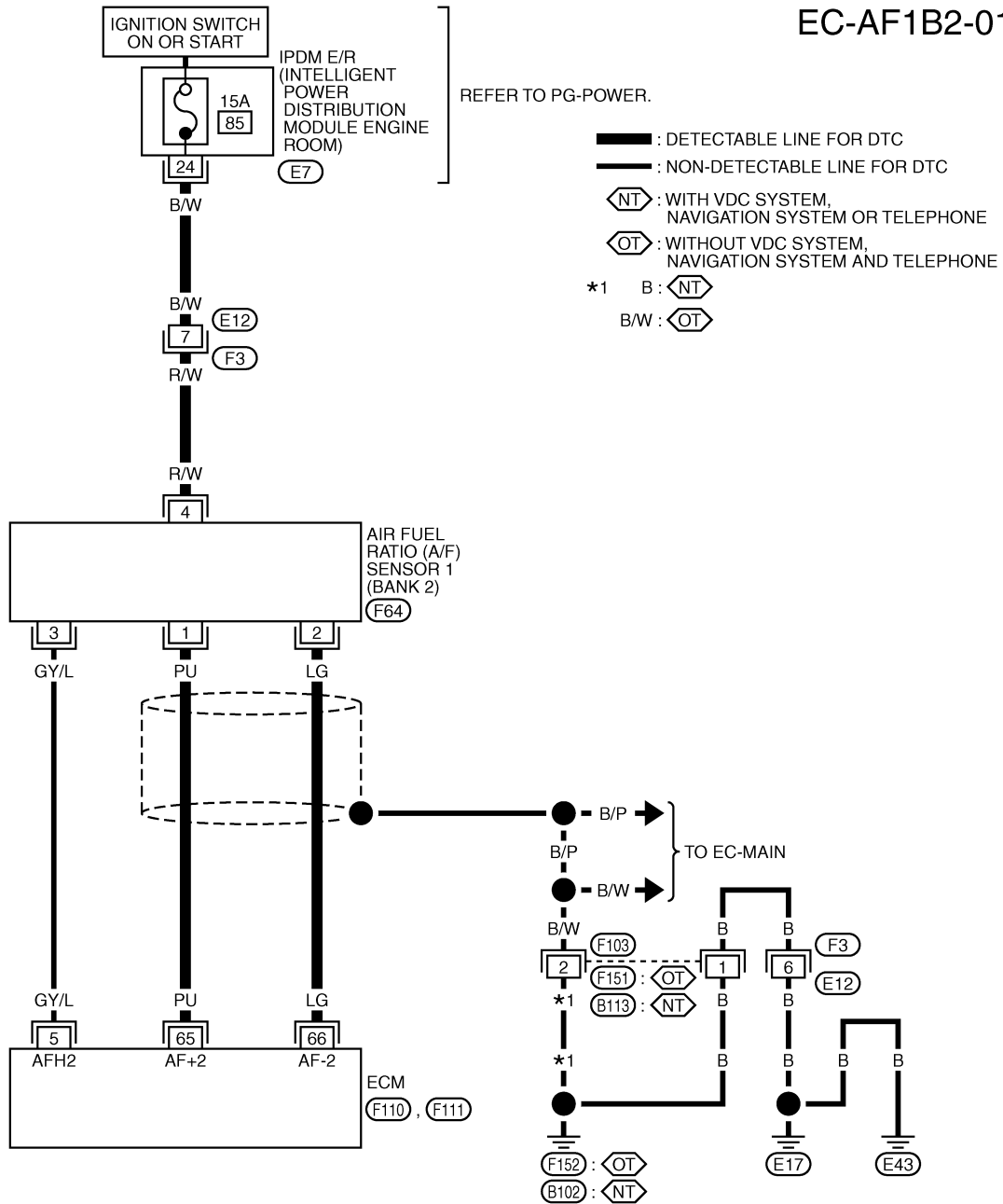
★: Average voltage for pulse signal (Actual pulse signal can be confirmed by oscilloscope.)

A
 EC
 C
 D
 E
 F
 G
 H
 I
 J
 K
 L
 M

DTC P0130, P0150 A/F SENSOR 1

BANK 2

EC-AF1B2-01



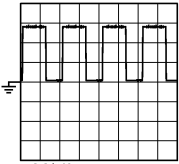
TBWT1633E

DTC P0130, P0150 A/F SENSOR 1

Specification data are reference values and are measured between each terminal and ground.
Pulse signal is measured by CONSULT-III.

CAUTION:

Do not use ECM ground terminals when measuring input/output voltage. Doing so may result in damage to the ECM's transistor. Use a ground other than ECM terminals, such as the ground.

TER-MINAL NO.	WIRE COLOR	ITEM	CONDITION	DATA (DC Voltage)
5	GY/L	A/F sensor 1 heater (bank 2)	[Engine is running] <ul style="list-style-type: none"> ● Warm-up condition ● Idle speed (More than 140 seconds after starting engine) 	2.9 - 8.8★  <small>PBIB3538E</small>
65	PU	A/F sensor 1 (bank 2)	[Ignition switch: ON]	2.2V
66	LG	A/F sensor 1 (bank 2)	[Ignition switch: ON] <ul style="list-style-type: none"> ● Warm-up condition ● Engine speed: 2,000 rpm 	1.8V Output voltage varies with air fuel ratio.

★: Average voltage for pulse signal (Actual pulse signal can be confirmed by oscilloscope.)

A
EC
C
D
E
F
G
H
I
J
K
L
M

DTC P0130, P0150 A/F SENSOR 1

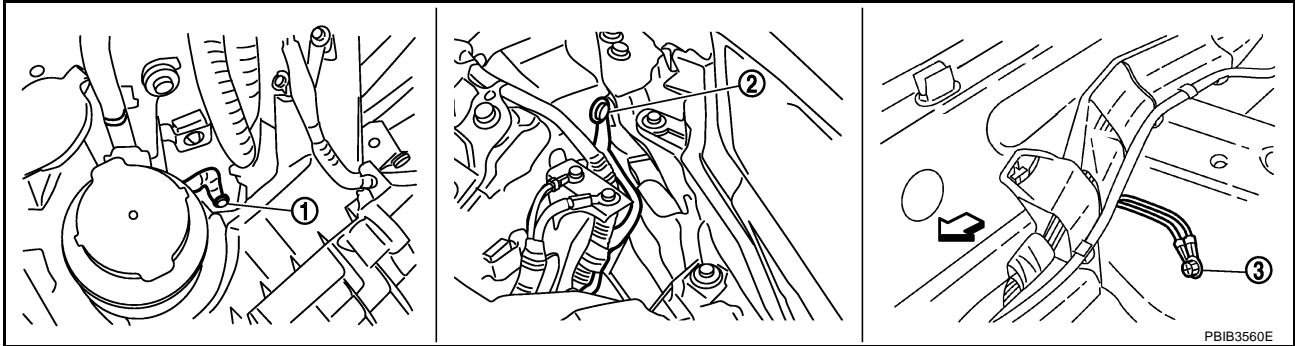
NBS006U9

Diagnostic Procedure

1. CHECK GROUND CONNECTIONS

Models with VDC system, navigation system or telephone

1. Turn ignition switch OFF.
2. Loosen and retighten ground screws on the body. Refer to [EC-150, "Ground Inspection"](#).



1. Body ground E17

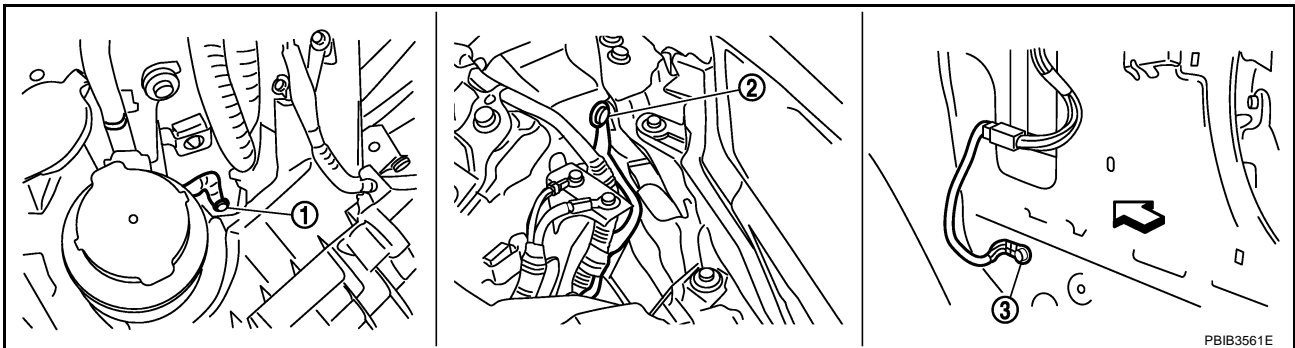
2. Body ground E43

3. Body ground B102

↔ Vehicle front

Models without VDC system, navigation system and telephone

1. Turn ignition switch OFF.
2. Loosen and retighten ground screws on the body. Refer to [EC-150, "Ground Inspection"](#).



1. Body ground E17

2. Body ground E43

3. Body ground F152
(Passenger side view with dash side finisher removed)

↔ Vehicle front

OK or NG

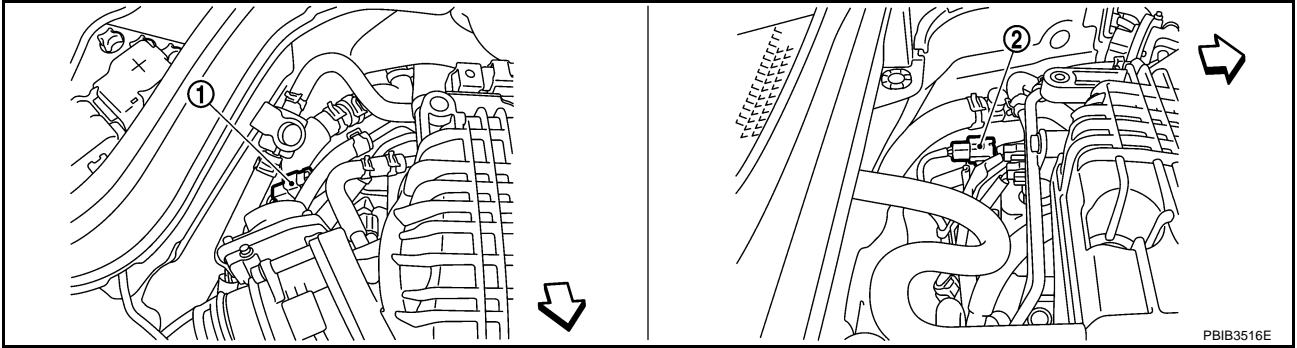
OK >> GO TO 2.

NG >> Repair or replace ground connections.

DTC P0130, P0150 A/F SENSOR 1

2. CHECK AIR FUEL RATIO (A/F) SENSOR 1 POWER SUPPLY CIRCUIT

1. Disconnect air fuel ratio (A/F) sensor 1 harness connector.



1. A/F sensor 1 (bank 1) harness connector
2. A/F sensor 1 (bank 2) harness connector

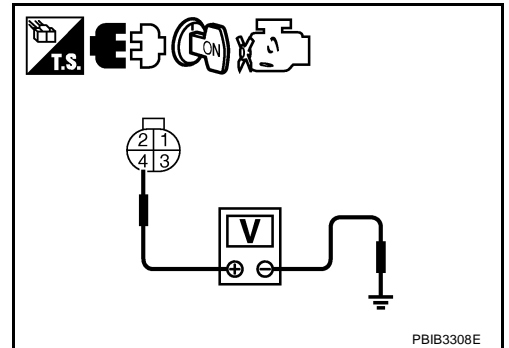
← Vehicle front

2. Turn ignition switch ON.
3. Check voltage between A/F sensor 1 terminal 4 and ground with CONSULT-III or tester.

Voltage: Battery voltage

OK or NG

- OK >> GO TO 4.
- NG >> GO TO 3.



3. DETECT MALFUNCTIONING PART

Check the following.

- Harness connectors E12, F3
- 15A fuse
- Harness for open or short between A/F sensor 1 and fuse

>> Repair or replace harness or connectors.

A
EC
C
D
E
F
G
H
I
J
K
L
M

DTC P0130, P0150 A/F SENSOR 1

4. CHECK A/F SENSOR 1 INPUT SIGNAL CIRCUIT FOR OPEN AND SHORT

1. Turn ignition switch OFF.
2. Disconnect ECM harness connector.
3. Check harness continuity between the following terminals.
Refer to Wiring Diagram.

	A/F sensor 1 terminal	ECM terminal
Bank1	1	57
	2	61
Bank 2	1	65
	2	66

Continuity should exist.

4. Check harness continuity between the following terminals and ground.
Refer to Wiring Diagram.

Bank 1		Bank 2	
A/F sensor 1 terminal	ECM terminal	A/F sensor 1 terminal	ECM terminal
1	57	1	65
2	61	2	66

Continuity should not exist.

5. Also check harness for short to power.

OK or NG

OK >> GO TO 5.

NG >> Repair open circuit or short to ground or short to power in harness or connectors.

5. CHECK INTERMITTENT INCIDENT

Perform [EC-141, "TROUBLE DIAGNOSIS FOR INTERMITTENT INCIDENT"](#) .

OK or NG

OK >> GO TO 6.

NG >> Repair or replace.

6. REPLACE AIR FUEL RATIO (A/F) SENSOR 1

Replace malfunctioning A/F sensor 1.

CAUTION:

- Discard any A/F sensor which has been dropped from a height of more than 0.5 m (19.7 in) onto a hard surface such as a concrete floor; use a new one.
- Before installing new A/F sensor, clean exhaust system threads (using Oxygen Sensor Thread Cleaner tool J-43897-18 or J-43897-12) and approved anti-seize lubricant.

>> INSPECTION END

Removal and Installation AIR FUEL RATIO (A/F) SENSOR 1

NBS006UA

Refer to [EM-22, "EXHAUST MANIFOLD AND THREE WAY CATALYST"](#) .

DTC P0131, P0151 A/F SENSOR 1

DTC P0131, P0151 A/F SENSOR 1

PFP:22693

Component Description

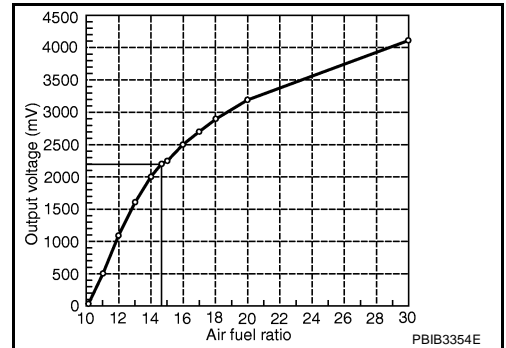
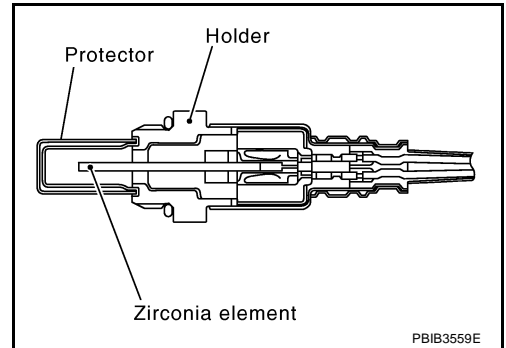
NBS006UB

The air fuel ratio (A/F) sensor 1 is a planar one-cell limit current sensor. The sensor element of the A/F sensor 1 is composed an electrode layer, which transports ions. It has a heater in the element.

The sensor is capable of precise measurement $\lambda = 1$, but also in the lean and rich range. Together with its control electronics, the sensor outputs a clear, continuous signal throughout a wide λ range.

The exhaust gas components diffuse through the diffusion layer at the sensor cell. An electrode layer is applied voltage, and this current relative oxygen density in lean. Also this current relative hydrocarbon density in rich.

Therefore, the A/F sensor 1 is able to indicate air fuel ratio by this electrode layer of current. In addition, a heater is integrated in the sensor to ensure the required operating temperature of about 800°C (1,472°F).



CONSULT-III Reference Value in Data Monitor Mode

NBS006UC

Specification data are reference values.

MONITOR ITEM	CONDITION		SPECIFICATION
A/F SEN1 (B1) A/F SEN1 (B2)	● Engine: After warming up	Maintaining engine speed at 2,000 rpm	Fluctuates around 2.2V

On Board Diagnosis Logic

NBS006UD

To judge the malfunction, the diagnosis checks that the A/F signal computed by ECM from the A/F sensor 1 signal fluctuates according to fuel feedback control.

DTC No.	Trouble diagnosis name	DTC detecting condition	Possible Cause
P0131 0131 (Bank 1)	Air fuel ratio (A/F) sensor 1 circuit low voltage	● The A/F signal computed by ECM from the A/F sensor 1 signal is constantly approx. 0V.	<ul style="list-style-type: none"> ● Harness or connectors (The A/F sensor 1 circuit is open or shorted.) ● Air fuel ratio (A/F) sensor 1
P0151 0151 (Bank 2)			

DTC P0131, P0151 A/F SENSOR 1

NBS006UE

DTC Confirmation Procedure

NOTE:

If DTC Confirmation Procedure has been previously conducted, always turn ignition switch OFF and wait at least 10 seconds before conducting the next test.

CAUTION:

Always drive vehicle at a safe speed.

TESTING CONDITION:

Before performing the following procedure, confirm that battery voltage is more than 11V at idle.

Ⓟ WITH CONSULT-III

1. Start engine and warm it up to normal operating temperature.
2. Select "A/F SEN1 (B1)" or "A/F SEN1 (B2)" in "DATA MONITOR" mode with CONSULT-III.
3. Check "A/F SEN1 (B1)" or "A/F SEN1 (B2)" indication.
If the indication is constantly approx. 0V, go to [EC-263, "Diagnostic Procedure"](#) .
If the indication is not constantly approx. 0V, go to next step.
4. Turn ignition switch OFF, wait at least 10 seconds and then restart engine.
5. Drive and accelerate vehicle to more than 40 km/h (25 MPH) within 20 seconds after restarting engine.
6. Maintain the following conditions for about 20 consecutive seconds.

ENG SPEED	1,000 - 3,200 rpm
VHCL SPEED SE	More than 40 km/h (25 MPH)
B/FUEL SCHDL	1.5 - 9.0 msec
Shift lever	Suitable position

NOTE:

- Keep the accelerator pedal as steady as possible during the cruising.
- If this procedure is not completed within 1 minute after restarting engine at step 4, return to step 4.

7. Check 1st trip DTC.
8. If 1st trip DTC is displayed, go to [EC-263, "Diagnostic Procedure"](#) .

Ⓟ WITH GST

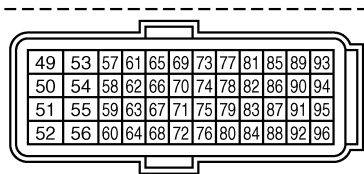
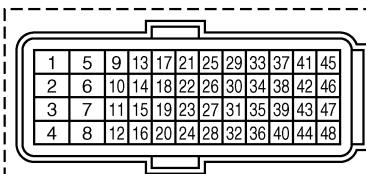
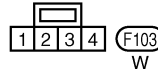
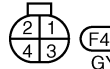
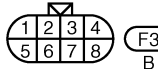
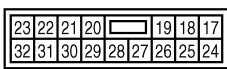
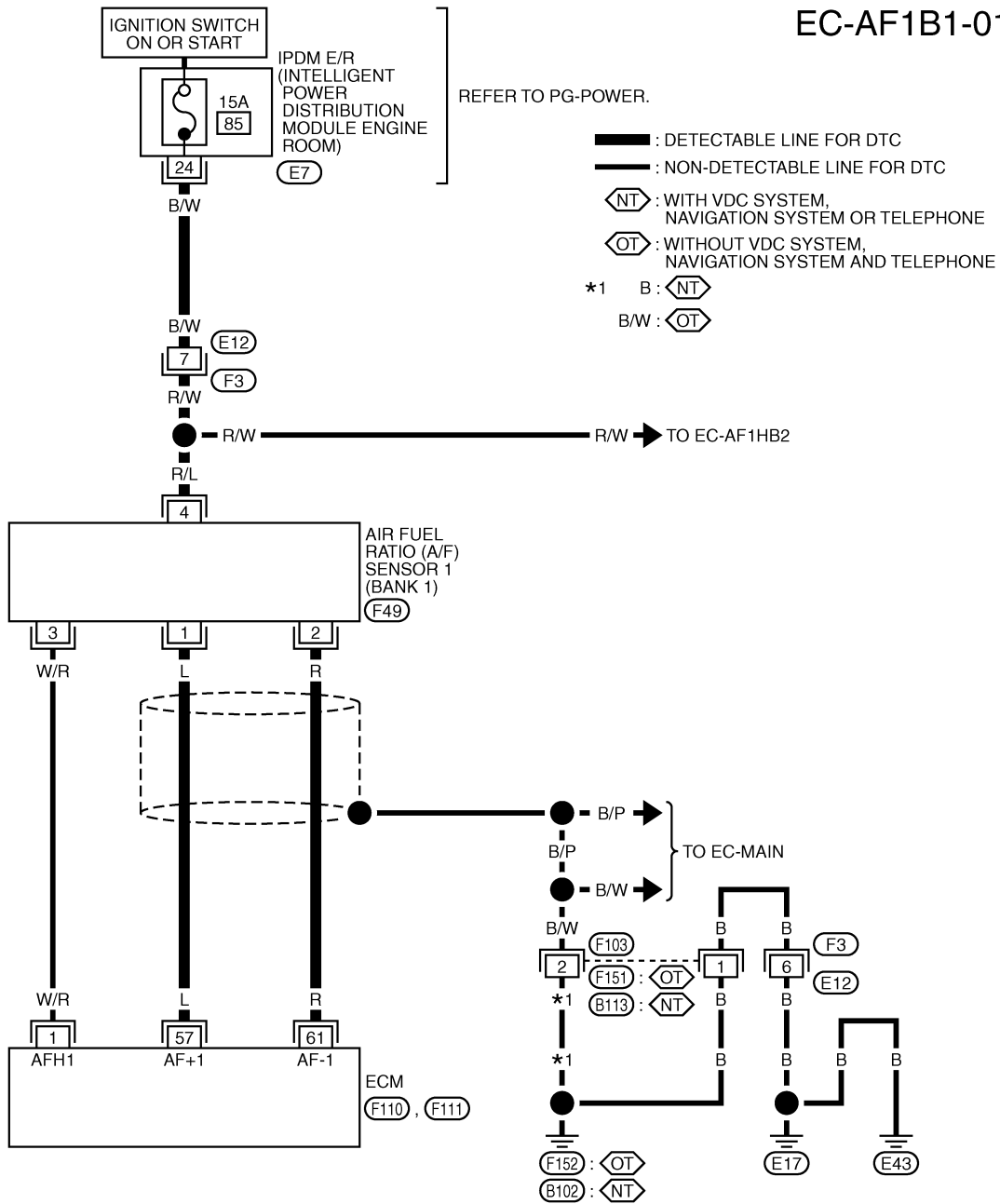
Follow the procedure "WITH CONSULT-III" above.

DTC P0131, P0151 A/F SENSOR 1

NBS006UF

Wiring Diagram BANK 1

EC-AF1B1-01



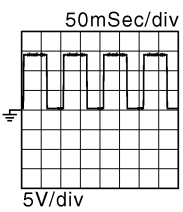
TBWT1632E

DTC P0131, P0151 A/F SENSOR 1

Specification data are reference values and are measured between each terminal and ground.
Pulse signal is measured by CONSULT-III.

CAUTION:

Do not use ECM ground terminals when measuring input/output voltage. Doing so may result in damage to the ECM's transistor. Use a ground other than ECM terminals, such as the ground.

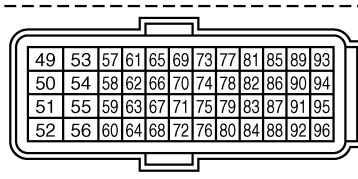
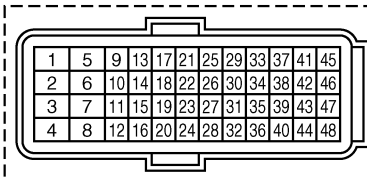
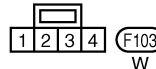
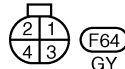
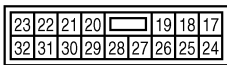
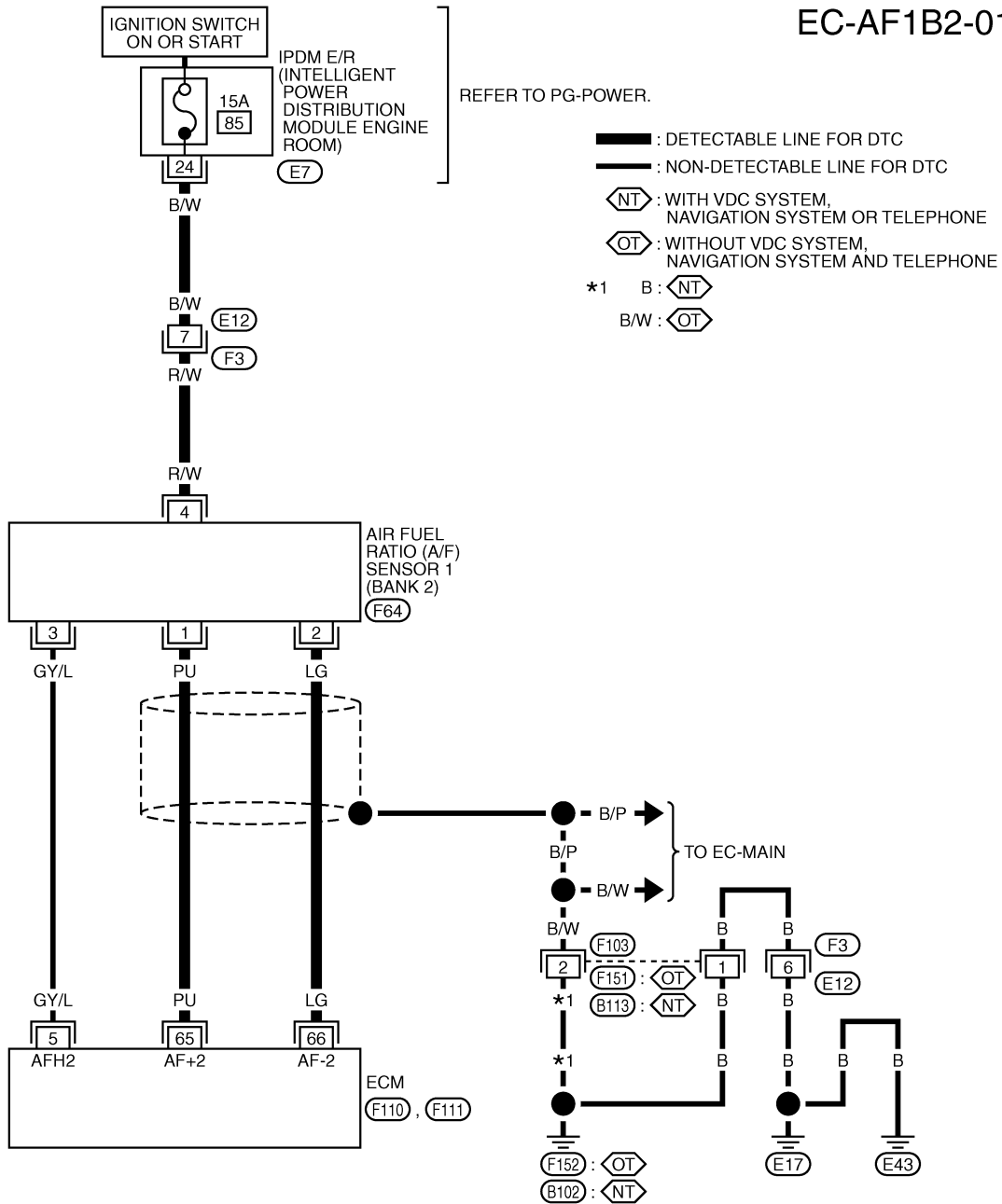
TER-MINAL NO.	WIRE COLOR	ITEM	CONDITION	DATA (DC Voltage)
1	W/R	A/F sensor 1 heater (bank 1)	<p>[Engine is running]</p> <ul style="list-style-type: none"> ● Warm-up condition ● Idle speed (More than 140 seconds after starting engine) 	<p>2.9 - 8.8V★</p>  <p style="text-align: right;">PBIB3538E</p>
57	L	A/F sensor 1 (bank 1)	[Ignition switch: ON]	2.2V
61	R	A/F sensor 1 (bank 1)	<p>[Ignition switch: ON]</p> <ul style="list-style-type: none"> ● Warm-up condition ● Engine speed: 2,000 rpm 	<p>1.8V</p> <p>Output voltage varies with air fuel ratio.</p>

★: Average voltage for pulse signal (Actual pulse signal can be confirmed by oscilloscope.)

DTC P0131, P0151 A/F SENSOR 1

BANK 2

EC-AF1B2-01



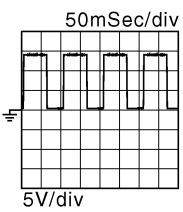
TBWT1633E

DTC P0131, P0151 A/F SENSOR 1

Specification data are reference values and are measured between each terminal and ground.
Pulse signal is measured by CONSULT-III.

CAUTION:

Do not use ECM ground terminals when measuring input/output voltage. Doing so may result in damage to the ECM's transistor. Use a ground other than ECM terminals, such as the ground.

TER-MINAL NO.	WIRE COLOR	ITEM	CONDITION	DATA (DC Voltage)
5	GY/L	A/F sensor 1 heater (bank 2)	<p>[Engine is running]</p> <ul style="list-style-type: none"> ● Warm-up condition ● Idle speed (More than 140 seconds after starting engine) 	<p>2.9 - 8.8★</p>  <p style="text-align: right;">PBIB3538E</p>
65	PU	A/F sensor 1 (bank 2)	[Ignition switch: ON]	2.2V
66	LG	A/F sensor 1 (bank 2)	<p>[Ignition switch: ON]</p> <ul style="list-style-type: none"> ● Warm-up condition ● Engine speed: 2,000 rpm 	<p>1.8V</p> <p>Output voltage varies with air fuel ratio.</p>

★: Average voltage for pulse signal (Actual pulse signal can be confirmed by oscilloscope.)

DTC P0131, P0151 A/F SENSOR 1

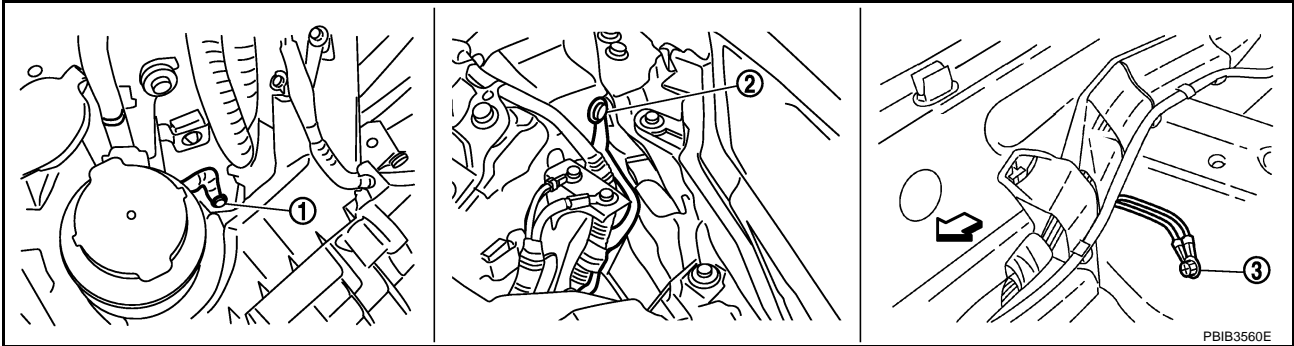
NBS006UG

Diagnostic Procedure

1. CHECK GROUND CONNECTIONS

Models with VDC system, navigation system or telephone

1. Turn ignition switch OFF.
2. Loosen and retighten ground screws on the body. Refer to [EC-150, "Ground Inspection"](#) .



1. Body ground E17

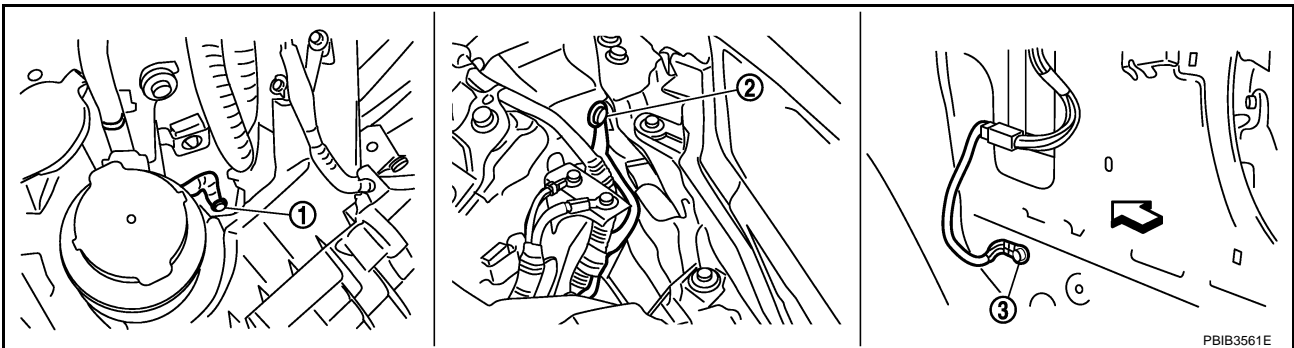
2. Body ground E43

3. Body ground B102

↔ Vehicle front

Models without VDC system, navigation system and telephone

1. Turn ignition switch OFF.
2. Loosen and retighten ground screws on the body. Refer to [EC-150, "Ground Inspection"](#) .



1. Body ground E17

2. Body ground E43

3. Body ground F152
(Passenger side view with dash side
finisher removed)

↔ Vehicle front

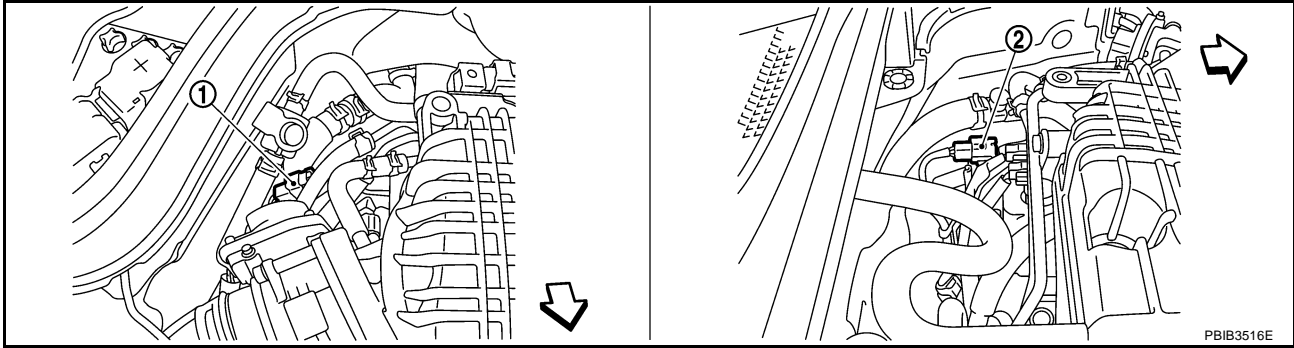
OK or NG

- OK >> GO TO 2.
NG >> Repair or replace ground connections.

DTC P0131, P0151 A/F SENSOR 1

2. CHECK AIR FUEL RATIO (A/F) SENSOR 1 POWER SUPPLY CIRCUIT

1. Disconnect air fuel ratio (A/F) sensor 1 harness connector.



1. A/F sensor 1 (bank 1) harness connector
2. A/F sensor 1 (bank 2) harness connector

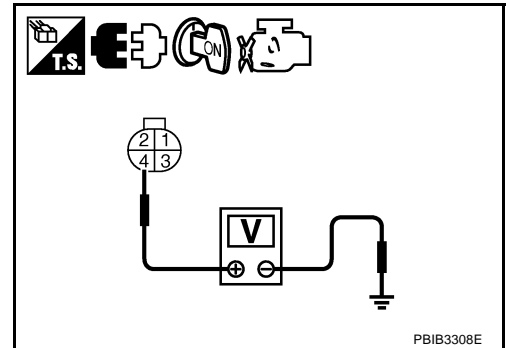
← Vehicle front

2. Turn ignition switch ON.
3. Check voltage between A/F sensor 1 terminal 4 and ground with CONSULT-III or tester.

Voltage: Battery voltage

OK or NG

- OK >> GO TO 4.
- NG >> GO TO 3.



3. DETECT MALFUNCTIONING PART

Check the following.

- Harness connectors E12, F3
- 15A fuse
- Harness for open or short between A/F sensor 1 and fuse

>> Repair or replace harness or connectors.

DTC P0131, P0151 A/F SENSOR 1

4. CHECK A/F SENSOR 1 INPUT SIGNAL CIRCUIT FOR OPEN AND SHORT

1. Turn ignition switch OFF.
2. Disconnect ECM harness connector.
3. Check harness continuity between the following terminals.
Refer to Wiring Diagram.

	A/F sensor 1 terminal	ECM terminal
Bank1	1	57
	2	61
Bank 2	1	65
	2	66

Continuity should exist.

4. Check harness continuity between the following terminals and ground.
Refer to Wiring Diagram.

Bank 1		Bank 2	
A/F sensor 1 terminal	ECM terminal	A/F sensor 1 terminal	ECM terminal
1	57	1	65
2	61	2	66

Continuity should not exist.

5. Also check harness for short to power.

OK or NG

OK >> GO TO 5.

NG >> Repair open circuit or short to ground or short to power in harness or connectors.

5. CHECK INTERMITTENT INCIDENT

Perform [EC-141, "TROUBLE DIAGNOSIS FOR INTERMITTENT INCIDENT"](#) .

OK or NG

OK >> GO TO 6.

NG >> Repair or replace.

6. REPLACE AIR FUEL RATIO (A/F) SENSOR 1

Replace malfunctioning A/F sensor 1.

CAUTION:

- Discard any A/F sensor which has been dropped from a height of more than 0.5 m (19.7 in) onto a hard surface such as a concrete floor; use a new one.
- Before installing new A/F sensor, clean exhaust system threads (using Oxygen Sensor Thread Cleaner tool J-43897-18 or J-43897-12) and approved anti-seize lubricant.

>> INSPECTION END

Removal and Installation AIR FUEL RATIO (A/F) SENSOR 1

NBS006UH

Refer to [EM-22, "EXHAUST MANIFOLD AND THREE WAY CATALYST"](#) .

DTC P0132, P0152 A/F SENSOR 1

DTC P0132, P0152 A/F SENSOR 1

PFP:22693

Component Description

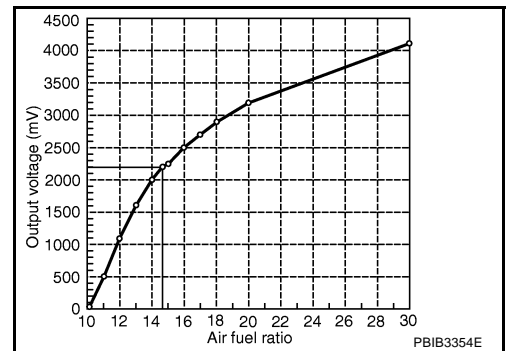
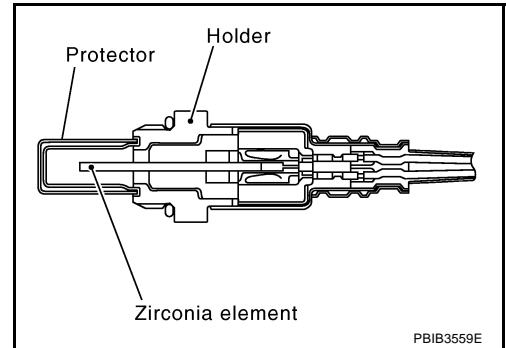
NBS006UJ

The air fuel ratio (A/F) sensor 1 is a planar one-cell limit current sensor. The sensor element of the A/F sensor 1 is composed an electrode layer, which transports ions. It has a heater in the element.

The sensor is capable of precise measurement $\lambda = 1$, but also in the lean and rich range. Together with its control electronics, the sensor outputs a clear, continuous signal throughout a wide λ range.

The exhaust gas components diffuse through the diffusion layer at the sensor cell. An electrode layer is applied voltage, and this current relative oxygen density in lean. Also this current relative hydrocarbon density in rich.

Therefore, the A/F sensor 1 is able to indicate air fuel ratio by this electrode layer of current. In addition, a heater is integrated in the sensor to ensure the required operating temperature of about 800°C (1,472°F).



CONSULT-III Reference Value in Data Monitor Mode

NBS006UJ

Specification data are reference values.

MONITOR ITEM	CONDITION		SPECIFICATION
A/F SEN1 (B1) A/F SEN1 (B2)	● Engine: After warming up	Maintaining engine speed at 2,000 rpm	Fluctuates around 2.2V

On Board Diagnosis Logic

NBS006UK

To judge the malfunction, the diagnosis checks that the A/F signal computed by ECM from the A/F sensor 1 signal fluctuates according to fuel feedback control.

DTC No.	Trouble diagnosis name	DTC detecting condition	Possible Cause
P0132 0132 (Bank 1)	Air fuel ratio (A/F) sensor 1 circuit high voltage	● The A/F signal computed by ECM from the A/F sensor 1 signal is constantly approx. 5V.	<ul style="list-style-type: none"> ● Harness or connectors (The A/F sensor 1 circuit is open or shorted.) ● Air fuel ratio (A/F) sensor 1
P0152 0152 (Bank 2)			

DTC P0132, P0152 A/F SENSOR 1

NBS000EA

DTC Confirmation Procedure

NOTE:

If DTC Confirmation Procedure has been previously conducted, always turn ignition switch OFF and wait at least 10 seconds before conducting the next test.

CAUTION:

Always drive vehicle at a safe speed.

TESTING CONDITION:

Before performing the following procedure, confirm that battery voltage is more than 11V at idle.

Ⓟ WITH CONSULT-III

1. Start engine and warm it up to normal operating temperature.
2. Select "A/F SEN1 (B1)" or "A/F SEN1 (B2)" in "DATA MONITOR" mode with CONSULT-III.
3. Check "A/F SEN1 (B1)" or "A/F SEN1 (B2)" indication.
If the indication is constantly approx. 5V, go to [EC-272, "Diagnostic Procedure"](#).
If the indication is not constantly approx. 5V, go to next step.
4. Turn ignition switch OFF, wait at least 10 seconds and then restart engine.
5. Drive and accelerate vehicle to more than 40 km/h (25 MPH) within 20 seconds after restarting engine.
6. Maintain the following conditions for about 20 consecutive seconds.

ENG SPEED	1,000 - 3,200 rpm
VHCL SPEED SE	More than 40 km/h (25 MPH)
B/FUEL SCHDL	1.5 - 9.0 msec
Shift lever	Suitable position

NOTE:

- Keep the accelerator pedal as steady as possible during the cruising.
- If this procedure is not completed within 1 minute after restarting engine at step 4, return to step 4.

7. Check 1st trip DTC.
8. If 1st trip DTC is displayed, go to [EC-272, "Diagnostic Procedure"](#).

Ⓢ WITH GST

Follow the procedure "WITH CONSULT-III" above.

A

EC

C

D

E

F

G

H

I

J

K

L

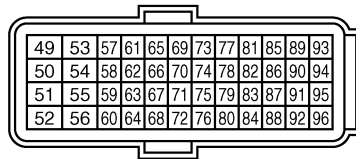
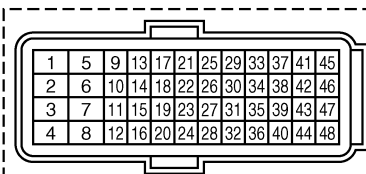
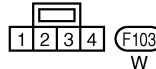
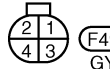
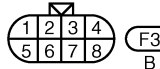
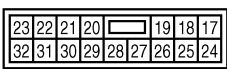
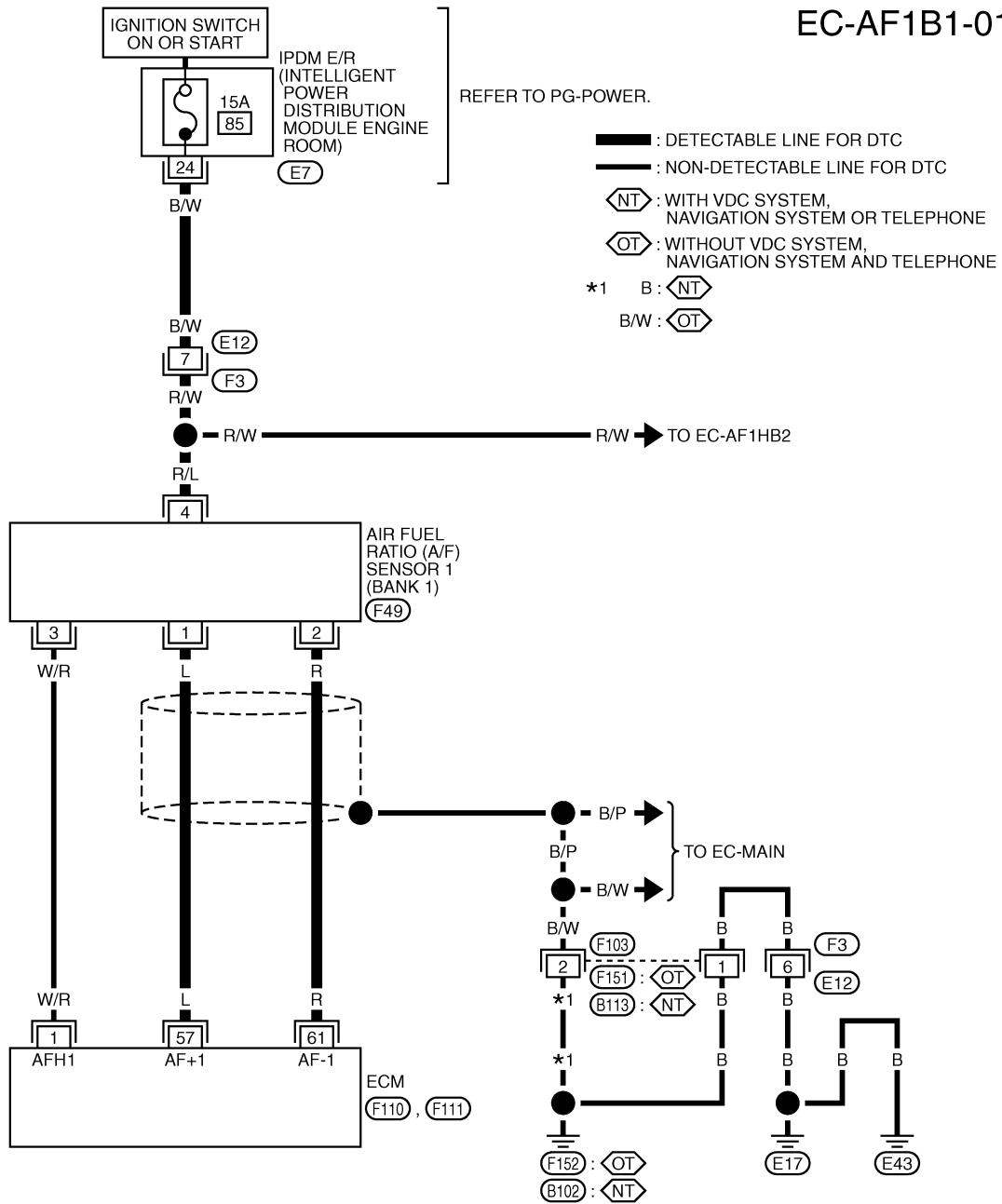
M

DTC P0132, P0152 A/F SENSOR 1

NBS006UL

Wiring Diagram BANK 1

EC-AF1B1-01



TBWT1632E

DTC P0132, P0152 A/F SENSOR 1

Specification data are reference values and are measured between each terminal and ground.
Pulse signal is measured by CONSULT-III.

CAUTION:

Do not use ECM ground terminals when measuring input/output voltage. Doing so may result in damage to the ECM's transistor. Use a ground other than ECM terminals, such as the ground.

TER-MINAL NO.	WIRE COLOR	ITEM	CONDITION	DATA (DC Voltage)
1	W/R	A/F sensor 1 heater (bank 1)	<p>[Engine is running]</p> <ul style="list-style-type: none"> ● Warm-up condition ● Idle speed (More than 140 seconds after starting engine) 	<p>2.9 - 8.8V★</p>
57	L	A/F sensor 1 (bank 1)	[Ignition switch: ON]	2.2V
61	R	A/F sensor 1 (bank 1)	<p>[Ignition switch: ON]</p> <ul style="list-style-type: none"> ● Warm-up condition ● Engine speed: 2,000 rpm 	<p>1.8V</p> <p>Output voltage varies with air fuel ratio.</p>

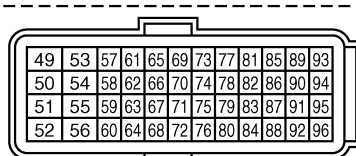
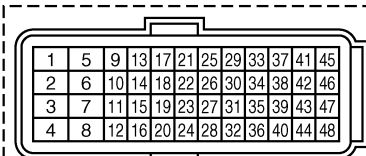
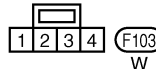
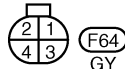
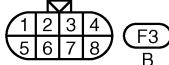
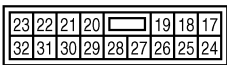
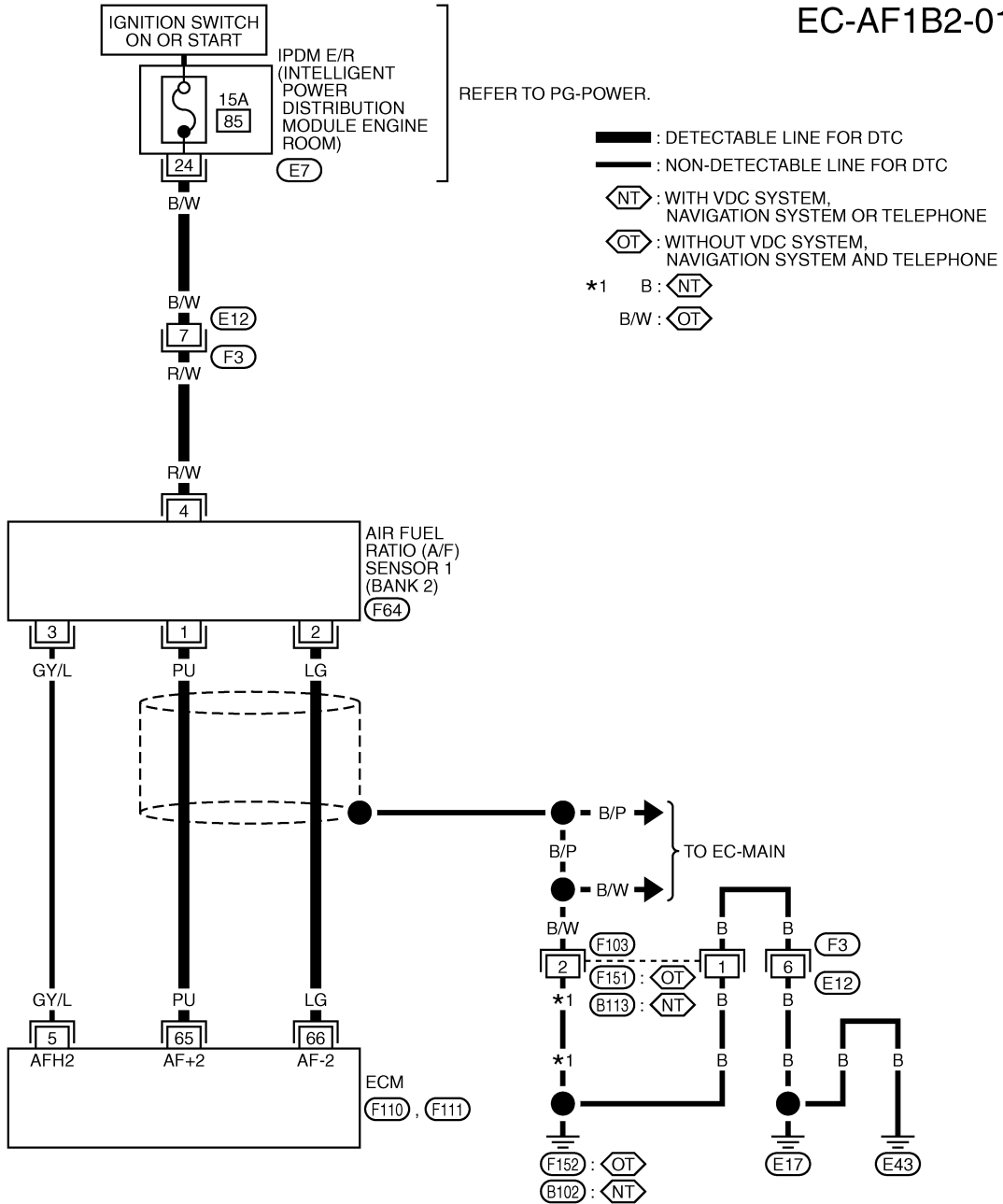
★: Average voltage for pulse signal (Actual pulse signal can be confirmed by oscilloscope.)

A
EC
C
D
E
F
G
H
I
J
K
L
M

DTC P0132, P0152 A/F SENSOR 1

BANK 2

EC-AF1B2-01



TBWT1633E

DTC P0132, P0152 A/F SENSOR 1

Specification data are reference values and are measured between each terminal and ground.
Pulse signal is measured by CONSULT-III.

CAUTION:

Do not use ECM ground terminals when measuring input/output voltage. Doing so may result in damage to the ECM's transistor. Use a ground other than ECM terminals, such as the ground.

TER-MINAL NO.	WIRE COLOR	ITEM	CONDITION	DATA (DC Voltage)
5	GY/L	A/F sensor 1 heater (bank 2)	<p>[Engine is running]</p> <ul style="list-style-type: none"> ● Warm-up condition ● Idle speed (More than 140 seconds after starting engine) 	<p>2.9 - 8.8★</p>
65	PU	A/F sensor 1 (bank 2)	[Ignition switch: ON]	2.2V
66	LG	A/F sensor 1 (bank 2)	<p>[Ignition switch: ON]</p> <ul style="list-style-type: none"> ● Warm-up condition ● Engine speed: 2,000 rpm 	<p>1.8V</p> <p>Output voltage varies with air fuel ratio.</p>

★: Average voltage for pulse signal (Actual pulse signal can be confirmed by oscilloscope.)

A
EC
C
D
E
F
G
H
I
J
K
L
M

DTC P0132, P0152 A/F SENSOR 1

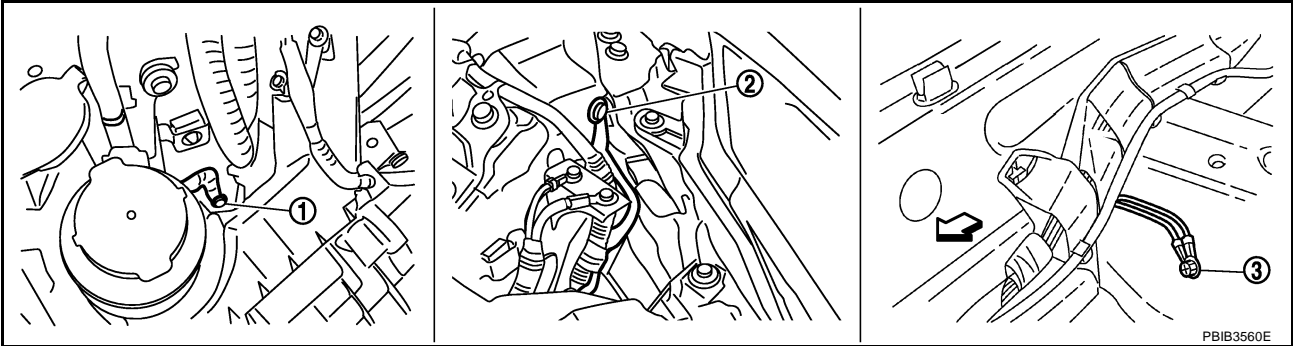
NBS006UM

Diagnostic Procedure

1. CHECK GROUND CONNECTIONS

Models with VDC system, navigation system or telephone

1. Turn ignition switch OFF.
2. Loosen and retighten ground screws on the body. Refer to [EC-150, "Ground Inspection"](#) .



1. Body ground E17

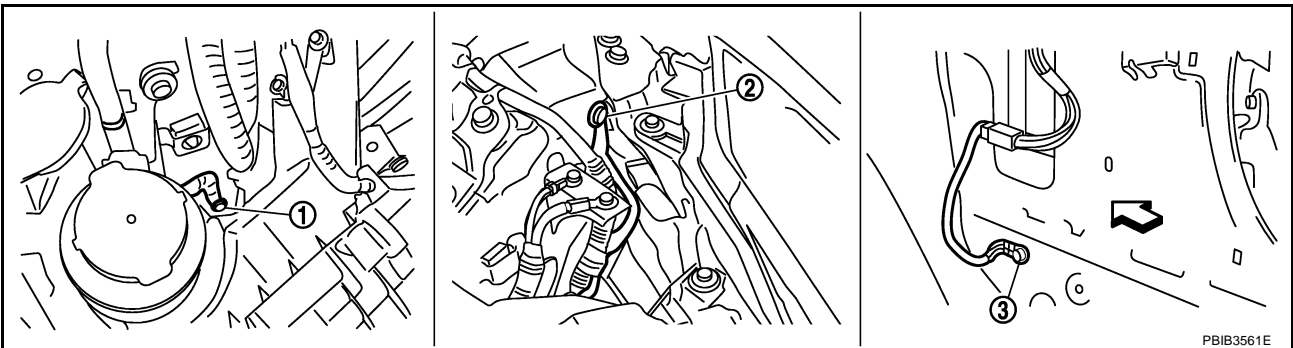
2. Body ground E43

3. Body ground B102

↔ Vehicle front

Models without VDC system, navigation system and telephone

1. Turn ignition switch OFF.
2. Loosen and retighten ground screws on the body. Refer to [EC-150, "Ground Inspection"](#) .



1. Body ground E17

2. Body ground E43

3. Body ground F152
(Passenger side view with dash side
finisher removed)

↔ Vehicle front

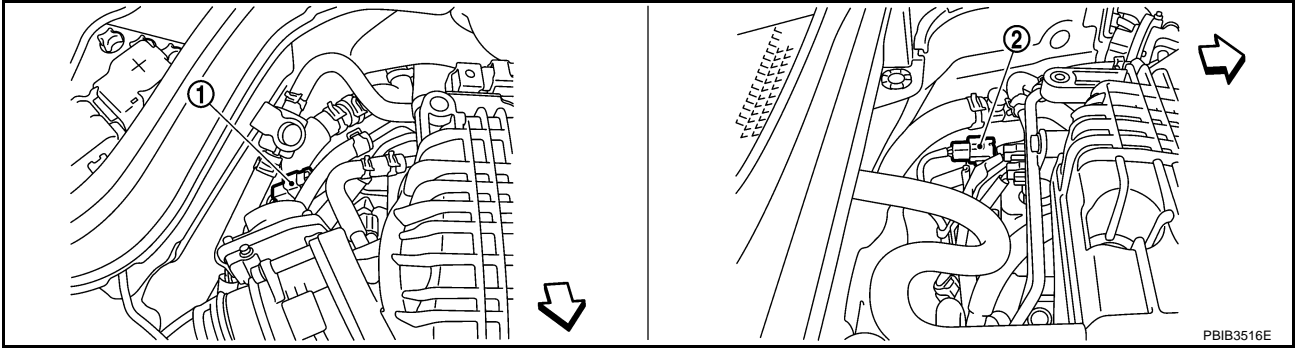
OK or NG

- OK >> GO TO 2.
NG >> Repair or replace ground connections.

DTC P0132, P0152 A/F SENSOR 1

2. CHECK AIR FUEL RATIO (A/F) SENSOR 1 POWER SUPPLY CIRCUIT

1. Disconnect air fuel ratio (A/F) sensor 1 harness connector.



1. A/F sensor 1 (bank 1) harness connector
2. A/F sensor 1 (bank 2) harness connector

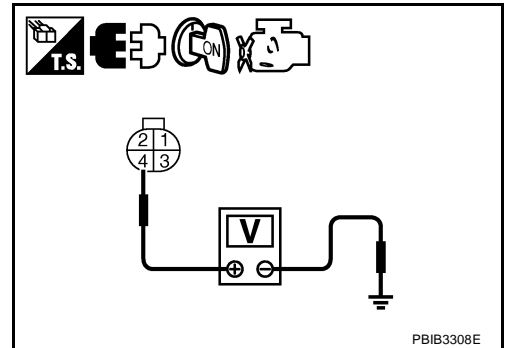
← Vehicle front

2. Turn ignition switch ON.
3. Check voltage between A/F sensor 1 terminal 4 and ground with CONSULT-III or tester.

Voltage: Battery voltage

OK or NG

- OK >> GO TO 4.
- NG >> GO TO 3.



3. DETECT MALFUNCTIONING PART

Check the following.

- Harness connectors E12, F3
- 15A fuse
- Harness for open or short between A/F sensor 1 and fuse

>> Repair or replace harness or connectors.

DTC P0132, P0152 A/F SENSOR 1

4. CHECK A/F SENSOR 1 INPUT SIGNAL CIRCUIT FOR OPEN AND SHORT

1. Turn ignition switch OFF.
2. Disconnect ECM harness connector.
3. Check harness continuity between the following terminals.
Refer to Wiring Diagram.

	A/F sensor 1 terminal	ECM terminal
Bank1	1	57
	2	61
Bank 2	1	65
	2	66

Continuity should exist.

4. Check harness continuity between the following terminals and ground.
Refer to Wiring Diagram.

Bank 1		Bank 2	
A/F sensor 1 terminal	ECM terminal	A/F sensor 1 terminal	ECM terminal
1	57	1	65
2	61	2	66

Continuity should not exist.

5. Also check harness for short to power.

OK or NG

OK >> GO TO 5.

NG >> Repair open circuit or short to ground or short to power in harness or connectors.

5. CHECK INTERMITTENT INCIDENT

Perform [EC-141, "TROUBLE DIAGNOSIS FOR INTERMITTENT INCIDENT"](#) .

OK or NG

OK >> GO TO 6.

NG >> Repair or replace.

6. REPLACE AIR FUEL RATIO (A/F) SENSOR 1

Replace malfunctioning A/F sensor 1.

CAUTION:

- Discard any A/F sensor which has been dropped from a height of more than 0.5 m (19.7 in) onto a hard surface such as a concrete floor; use a new one.
- Before installing new A/F sensor, clean exhaust system threads (using Oxygen Sensor Thread Cleaner tool J-43897-18 or J-43897-12) and approved anti-seize lubricant.

>> INSPECTION END

Removal and Installation AIR FUEL RATIO (A/F) SENSOR 1

NBS006UN

Refer to [EM-22, "EXHAUST MANIFOLD AND THREE WAY CATALYST"](#) .

DTC P0133, P0153 A/F SENSOR 1

DTC P0133, P0153 A/F SENSOR 1

PFP:22693

Component Description

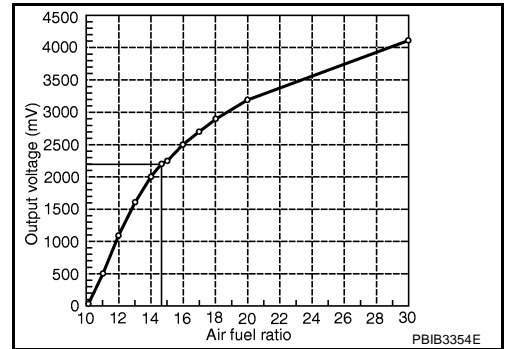
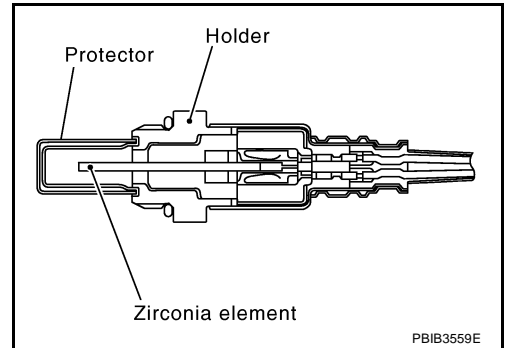
NBS006UO

The air fuel ratio (A/F) sensor 1 is a planar one-cell limit current sensor. The sensor element of the A/F sensor 1 is composed an electrode layer, which transports ions. It has a heater in the element.

The sensor is capable of precise measurement $\lambda = 1$, but also in the lean and rich range. Together with its control electronics, the sensor outputs a clear, continuous signal throughout a wide λ range.

The exhaust gas components diffuse through the diffusion layer at the sensor cell. An electrode layer is applied voltage, and this current relative oxygen density in lean. Also this current relative hydrocarbon density in rich.

Therefore, the A/F sensor 1 is able to indicate air fuel ratio by this electrode layer of current. In addition, a heater is integrated in the sensor to ensure the required operating temperature of about 800°C (1,472°F).



CONSULT-III Reference Value in Data Monitor Mode

NBS006UP

Specification data are reference values.

MONITOR ITEM	CONDITION	SPECIFICATION
A/F SEN1 (B1) A/F SEN1 (B2)	● Engine: After warming up Maintaining engine speed at 2,000 rpm	Fluctuates around 2.2V

On Board Diagnosis Logic

NBS000F2

To judge the malfunction of A/F sensor 1, this diagnosis measures response time of the A/F signal computed by ECM from the A/F sensor 1 signal. The time is compensated by engine operating (speed and load), fuel feedback control constant, and the A/F sensor 1 temperature index. Judgment is based on whether the compensated time (the A/F signal cycling time index) is inordinately long or not.

DTC No.	Trouble diagnosis name	DTC detecting condition	Possible Cause
P0133 0133 (Bank 1)	Air fuel ratio (A/F) sensor 1 circuit slow response	● The response of the A/F signal computed by ECM from A/F sensor 1 signal takes more than the specified time.	<ul style="list-style-type: none"> ● Harness or connectors (The A/F sensor 1 circuit is open or shorted.) ● Air fuel ratio (A/F) sensor 1 ● Air fuel ratio (A/F) sensor 1 heater ● Fuel pressure ● Fuel injector ● Intake air leaks ● Exhaust gas leaks ● PCV valve ● Mass air flow sensor
P0153 0153 (Bank 2)			

DTC Confirmation Procedure

NOTE:

If DTC Confirmation Procedure has been previously conducted, always turn ignition switch OFF and wait at least 10 seconds before conducting the next test.

TESTING CONDITION:

Before performing the following procedure, confirm that battery voltage is more than 11V at idle.

WITH CONSULT-III

1. Start engine and warm it up to normal operating temperature.
2. Turn ignition switch OFF and wait at least 10 seconds.
3. Start engine and keep the engine speed between 3,500 and 4,000 rpm for at least 1 minute under no load.
4. Let engine idle for 1 minute.
5. Select "A/F SEN1(B1) P1278/P1279" (for DTC P0133) or "A/F SEN1(B2) P1288/P1289" (for DTC P0153) of "A/F SEN1" in "DTC WORK SUPPORT" mode with CONSULT-III.
6. Touch "START".
If "COMPLETED" appears on CONSULT-III screen, go to step 10.
If "COMPLETED" does not appear on CONSULT-III screen, go to the following step.
7. After perform the following procedure, "TESTING" will be displayed on the CONSULT-III screen.
 - a. Increase the engine speed up to 4,000 to 5,000 rpm and keep it for 10 seconds.
 - b. Fully release accelerator pedal and then let engine idle for about 10 seconds.
If "TESTING" is not displayed after 10 seconds, refer to [EC-132, "TROUBLE DIAGNOSIS - SPECIFICATION VALUE"](#) .
8. Wait for about 20 seconds at idle at under the condition that "TESTING" is displayed on the CONSULT-III screen.
9. Make sure that "TESTING" changes to "COMPLETED".
If "TESTING" changed to "OUT OF CONDITION", refer to [EC-132, "TROUBLE DIAGNOSIS - SPECIFICATION VALUE"](#) .
10. Make sure that "OK" is displayed after touching "SELF-DIAG RESULT".
If "NG" is displayed, go to [EC-281, "Diagnostic Procedure"](#) .

WITH GST

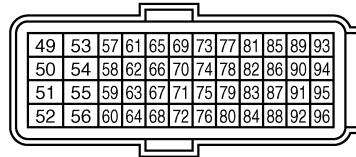
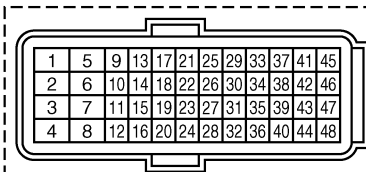
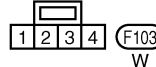
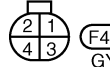
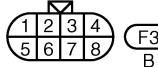
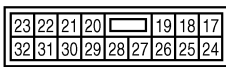
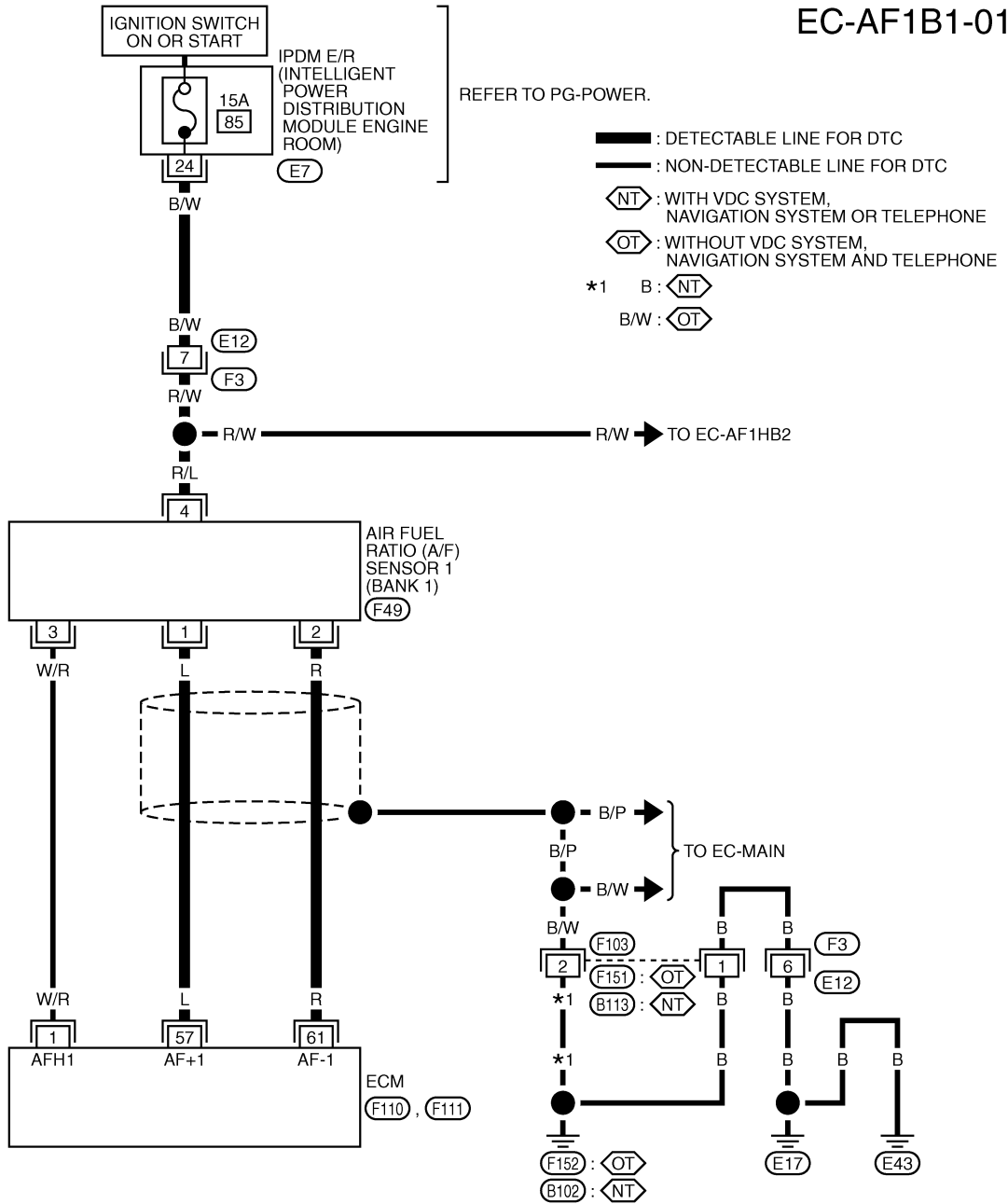
1. Start engine and warm it up to normal operating temperature.
2. Select Service \$01 with GST.
3. Calculate the total value of "Short term fuel trim" and "Long term fuel trim" indications.
Make sure that the total percentage should be within $\pm 15\%$.
If OK, go to the following step.
If NG, check the following.
 - Intake air leaks
 - Exhaust gas leaks
 - Incorrect fuel pressure
 - Lack of fuel
 - Fuel injector
 - Incorrect PCV hose connection
 - PCV valve
 - Mass air flow sensor
4. Turn ignition switch OFF and wait at least 10 seconds.
5. Start engine and keep the engine speed between 3,500 and 4,000 rpm for at least 1 minute under no load.
6. Let engine idle for 1 minute.
7. Increase the engine speed up to 4,000 to 5,000 rpm and keep it for 10 seconds.
8. Fully release accelerator pedal and then let engine idle for about 1 minute.
9. Select Service \$07 with GST.
If 1st trip DTC is detected, go to [EC-281, "Diagnostic Procedure"](#) .

DTC P0133, P0153 A/F SENSOR 1

Wiring Diagram BANK 1

NBS006UQ

EC-AF1B1-01



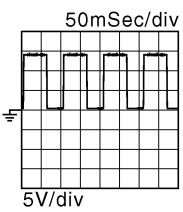
TBWT1632E

DTC P0133, P0153 A/F SENSOR 1

Specification data are reference values and are measured between each terminal and ground.
Pulse signal is measured by CONSULT-III.

CAUTION:

Do not use ECM ground terminals when measuring input/output voltage. Doing so may result in damage to the ECM's transistor. Use a ground other than ECM terminals, such as the ground.

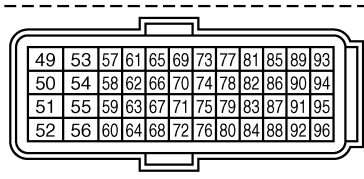
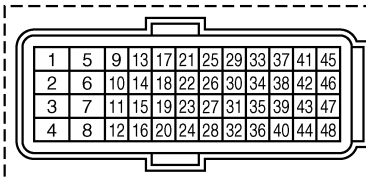
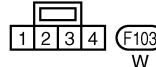
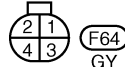
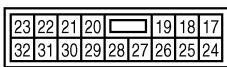
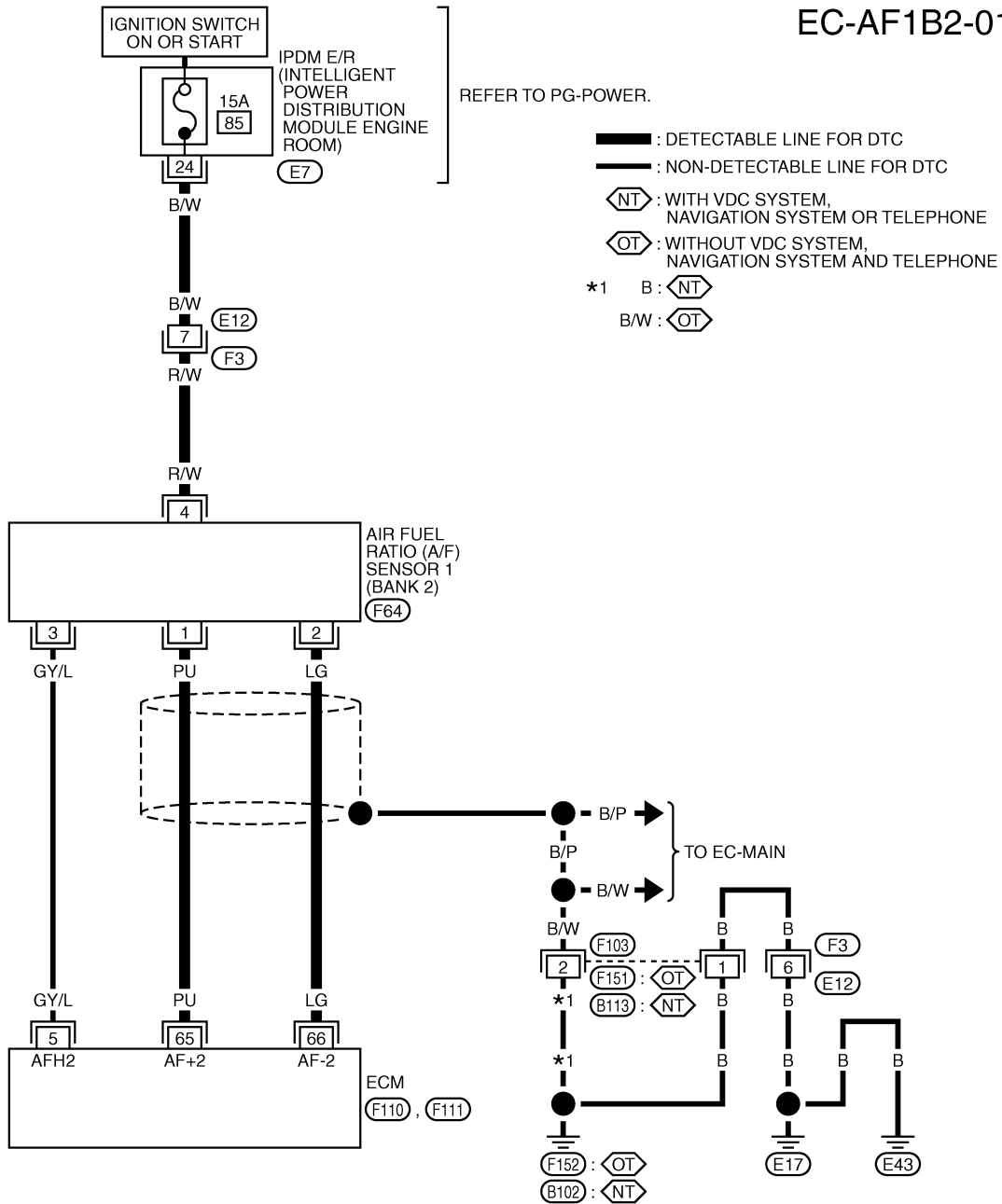
TER-MINAL NO.	WIRE COLOR	ITEM	CONDITION	DATA (DC Voltage)
1	W/R	A/F sensor 1 heater (bank 1)	<p>[Engine is running]</p> <ul style="list-style-type: none"> ● Warm-up condition ● Idle speed (More than 140 seconds after starting engine) 	<p>2.9 - 8.8V★</p>  <p style="text-align: right;">PBIB3538E</p>
57	L	A/F sensor 1 (bank 1)	[Ignition switch: ON]	2.2V
61	R	A/F sensor 1 (bank 1)	<p>[Ignition switch: ON]</p> <ul style="list-style-type: none"> ● Warm-up condition ● Engine speed: 2,000 rpm 	<p>1.8V</p> <p>Output voltage varies with air fuel ratio.</p>

★: Average voltage for pulse signal (Actual pulse signal can be confirmed by oscilloscope.)

DTC P0133, P0153 A/F SENSOR 1

BANK 2

EC-AF1B2-01



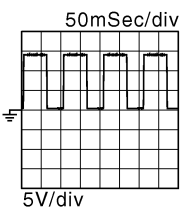
TBWT1633E

DTC P0133, P0153 A/F SENSOR 1

Specification data are reference values and are measured between each terminal and ground.
Pulse signal is measured by CONSULT-III.

CAUTION:

Do not use ECM ground terminals when measuring input/output voltage. Doing so may result in damage to the ECM's transistor. Use a ground other than ECM terminals, such as the ground.

TER-MINAL NO.	WIRE COLOR	ITEM	CONDITION	DATA (DC Voltage)
5	GY/L	A/F sensor 1 heater (bank 2)	<p>[Engine is running]</p> <ul style="list-style-type: none"> ● Warm-up condition ● Idle speed (More than 140 seconds after starting engine) 	<p>2.9 - 8.8★</p>  <p style="text-align: right;">PBIB3538E</p>
65	PU	A/F sensor 1 (bank 2)	[Ignition switch: ON]	2.2V
66	LG	A/F sensor 1 (bank 2)	<p>[Ignition switch: ON]</p> <ul style="list-style-type: none"> ● Warm-up condition ● Engine speed: 2,000 rpm 	<p>1.8V</p> <p>Output voltage varies with air fuel ratio.</p>

★: Average voltage for pulse signal (Actual pulse signal can be confirmed by oscilloscope.)

DTC P0133, P0153 A/F SENSOR 1

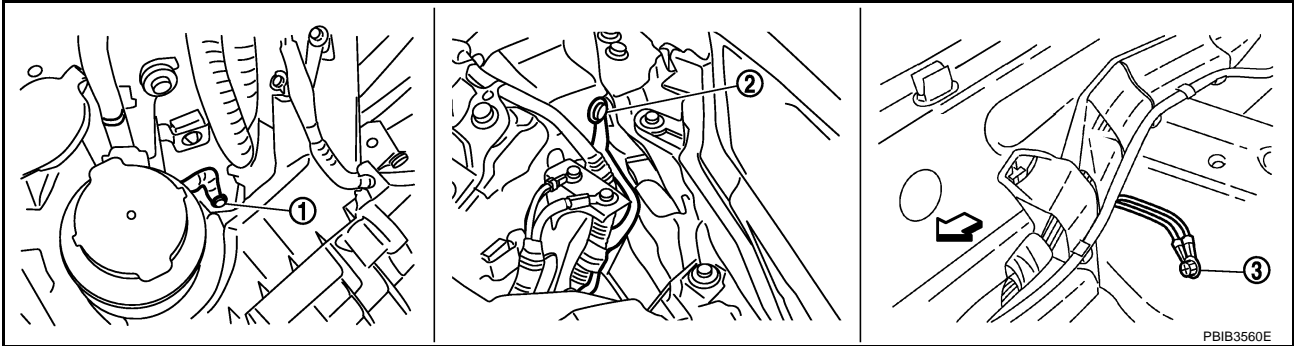
NBS006UR

Diagnostic Procedure

1. CHECK GROUND CONNECTIONS

Models with VDC system, navigation system or telephone

1. Turn ignition switch OFF.
2. Loosen and retighten ground screws on the body. Refer to [EC-150, "Ground Inspection"](#).



1. Body ground E17

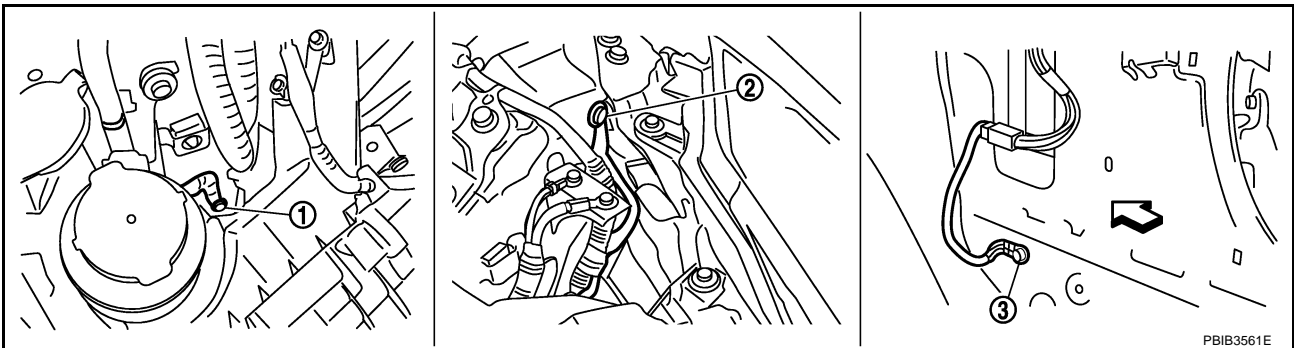
2. Body ground E43

3. Body ground B102

↔ Vehicle front

Models without VDC system, navigation system and telephone

1. Turn ignition switch OFF.
2. Loosen and retighten ground screws on the body. Refer to [EC-150, "Ground Inspection"](#).



1. Body ground E17

2. Body ground E43

3. Body ground F152
(Passenger side view with dash side
finisher removed)

↔ Vehicle front

OK or NG

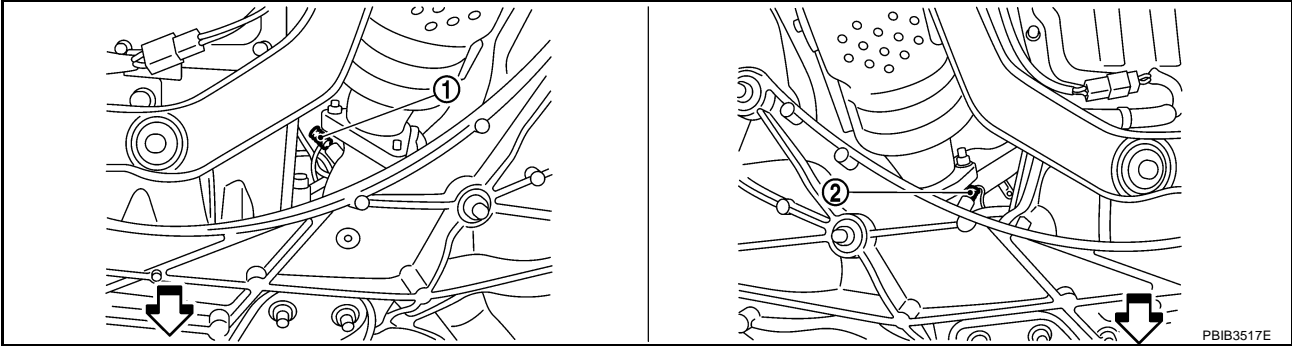
- OK >> GO TO 2.
- NG >> Repair or replace ground connections.

A
EC
C
D
E
F
G
H
I
J
K
L
M

DTC P0133, P0153 A/F SENSOR 1

2. RETIGHTEN AIR FUEL RATIO (A/F) SENSOR 1

Loosen and retighten the air fuel ratio (A/F) sensor 1.



1. A/F sensor 1 (bank 1)

2. A/F sensor 1 (bank 2)

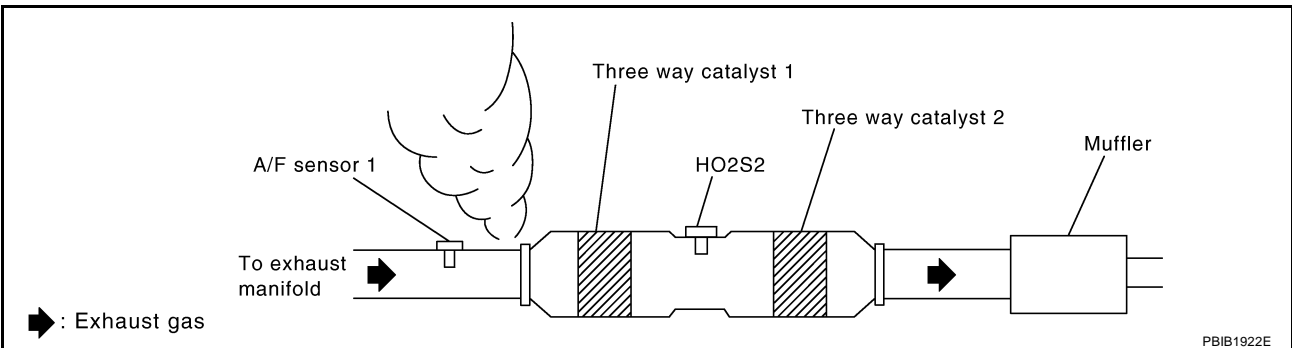
↔: Vehicle front

Tightening torque: 50 N-m (5.1 kg-m, 37 ft-lb)

>> GO TO 3.

3. CHECK EXHAUST GAS LEAK

1. Start engine and run it at idle.
2. Listen for an exhaust gas leak before three way catalyst 1.



OK or NG

OK >> GO TO 4.

NG >> Repair or replace.

4. CHECK FOR INTAKE AIR LEAK

Listen for an intake air leak after the mass air flow sensor.

OK or NG

OK >> GO TO 5.

NG >> Repair or replace.

DTC P0133, P0153 A/F SENSOR 1

5. CLEAR THE SELF-LEARNING DATA

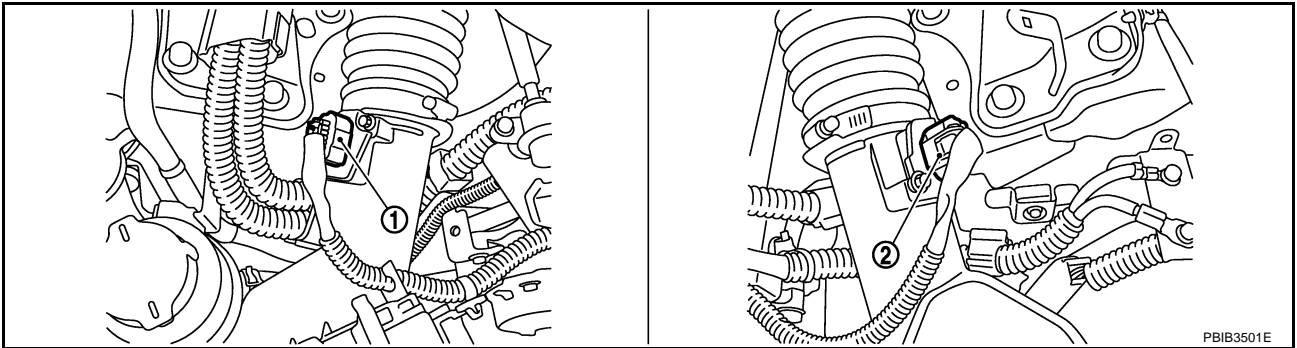
☑ With CONSULT-III

1. Start engine and warm it up to normal operating temperature.
2. Select "SELF-LEARNING CONT" in "WORK SUPPORT" mode with CONSULT-III.
3. Clear the self-learning control coefficient by touching "CLEAR" or "START".
4. Run engine for at least 10 minutes at idle speed.

Is the 1st trip DTC P0171, P0174 or P0172 or P0175 detected? Is it difficult to start engine?

☒ Without CONSULT-III

1. Start engine and warm it up to normal operating temperature.
2. Turn ignition switch OFF.
3. Disconnect mass air flow sensor (bank 1) harness connector.



1. Mass air flow sensor (with intake air temperature sensor) (bank 1)
2. Mass air flow sensor (with intake air temperature sensor) (bank 2)

4. Restart engine and let it idle for at least 5 seconds.
 5. Stop engine and reconnect mass air flow sensor harness connector.
 6. Make sure DTC P0102 is displayed.
 7. Erase the DTC memory. Refer to [EC-61, "HOW TO ERASE EMISSION-RELATED DIAGNOSTIC INFORMATION"](#).
 8. Make sure DTC P0000 is displayed.
 9. Run engine for at least 10 minutes at idle speed.
- Is the 1st trip DTC P0171, P0174 or P0172 or P0175 detected? Is it difficult to start engine?**

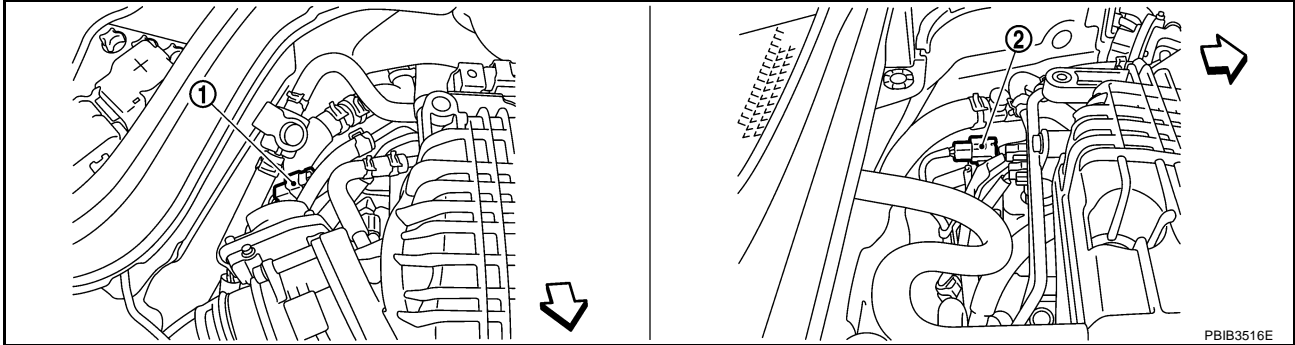
Yes or No

- Yes >> Perform trouble diagnosis for DTC P0171, P0174 or P0172, P0175. Refer to [EC-324, "DTC P0171, P0174 FUEL INJECTION SYSTEM FUNCTION"](#) or [EC-334, "DTC P0172, P0175 FUEL INJECTION SYSTEM FUNCTION"](#).
- No >> GO TO 6.

DTC P0133, P0153 A/F SENSOR 1

6. CHECK A/F SENSOR 1 POWER SUPPLY CIRCUIT

1. Turn ignition switch OFF.
2. Disconnect A/F sensor 1 harness connector.



1. A/F sensor 1 harness connector (bank 1)
2. A/F sensor 1 harness connector (bank 2)

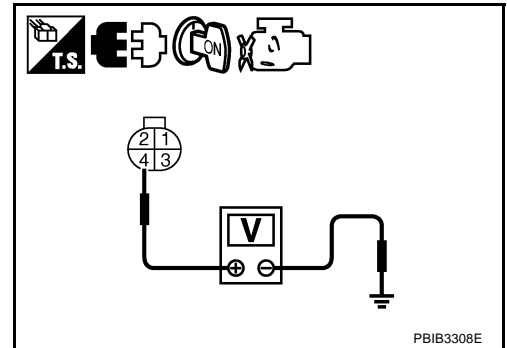
← Vehicle front

3. Turn ignition switch ON.
4. Check voltage between A/F sensor 1 terminal 4 and ground with CONSULT-III or tester.

Voltage: Battery voltage

OK or NG

- OK >> GO TO 8.
- NG >> GO TO 7.



7. DETECT MALFUNCTIONING PART

Check the following.

- Harness connectors E12, F3
- 15A fuse
- Harness for open or short between A/F sensor 1 and fuse

>> Repair or replace harness or connectors.

DTC P0133, P0153 A/F SENSOR 1

8. CHECK A/F SENSOR 1 INPUT SIGNAL CIRCUIT FOR OPEN AND SHORT

1. Turn ignition switch OFF.
2. Disconnect ECM harness connector.
3. Check harness continuity between the following terminals.
Refer to Wiring Diagram.

	A/F sensor 1 terminal	ECM terminal
Bank1	1	57
	2	61
Bank 2	1	65
	2	66

Continuity should exist.

4. Check harness continuity between the following terminals and ground.
Refer to Wiring Diagram.

Bank 1		Bank 2	
A/F sensor 1 terminal	ECM terminal	A/F sensor 1 terminal	ECM terminal
1	57	1	65
2	61	2	66

Continuity should not exist.

5. Also check harness for short to power.

OK or NG

OK >> GO TO 9.

NG >> Repair open circuit or short to ground or short to power in harness or connectors.

9. CHECK AIR FUEL RATIO (A/F) SENSOR 1 HEATER

Refer to [EC-172, "Component Inspection"](#) .

OK or NG

OK >> GO TO 10.

NG >> Replace malfunctioning A/F sensor 1.

10. CHECK MASS AIR FLOW SENSOR

Refer to [EC-206, "Component Inspection"](#) .

OK or NG

OK >> GO TO 11.

NG >> Replace malfunctioning mass air flow sensor.

11. CHECK PCV VALVE

Refer to [EC-44, "POSITIVE CRANKCASE VENTILATION"](#) .

OK or NG

OK >> GO TO 12.

NG >> Repair or replace PCV valve.

12. CHECK INTERMITTENT INCIDENT

Perform [EC-141, "TROUBLE DIAGNOSIS FOR INTERMITTENT INCIDENT"](#) .

OK or NG

OK >> GO TO 13.

NG >> Repair or replace.

DTC P0133, P0153 A/F SENSOR 1

13. REPLACE AIR FUEL RATIO (A/F) SENSOR 1

Replace malfunctioning A/F sensor 1.

CAUTION:

- Discard any A/F sensor which has been dropped from a height of more than 0.5 m (19.7 in) onto a hard surface such as a concrete floor; use a new one.
- Before installing new A/F sensor, clean exhaust system threads (using Oxygen Sensor Thread Cleaner tool J-43897-18 or J-43897-12) and approved anti-seize lubricant.

>> INSPECTION END

Removal and Installation AIR FUEL RATIO (A/F) SENSOR 1

NBS006US

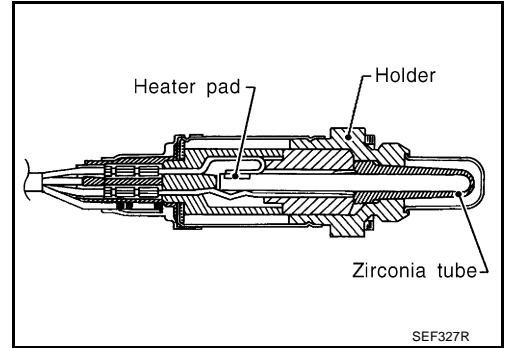
Refer to [EM-22, "EXHAUST MANIFOLD AND THREE WAY CATALYST"](#) .

DTC P0137, P0157 HO2S2

Component Description

NBS000CW

The heated oxygen sensor 2, after three way catalyst 1, monitors the oxygen level in the exhaust gas on each bank. Even if switching characteristics of the air fuel ratio (A/F) sensor 1 are shifted, the air-fuel ratio is controlled to stoichiometric, by the signal from the heated oxygen sensor 2. This sensor is made of ceramic zirconia. The zirconia generates voltage from approximately 1V in richer conditions to 0V in leaner conditions. Under normal conditions the heated oxygen sensor 2 is not used for engine control operation.



CONSULT-III Reference Value in Data Monitor Mode

NBS000CX

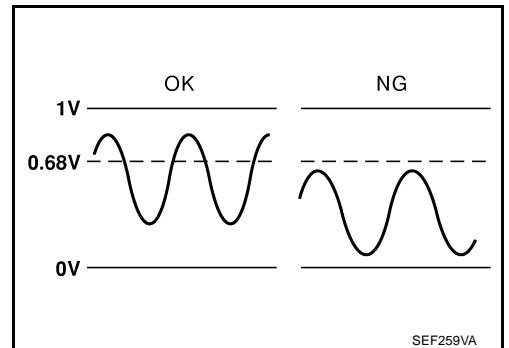
Specification data are reference values.

MONITOR ITEM	CONDITION	SPECIFICATION
HO2S2 (B1) HO2S2 (B2)	<ul style="list-style-type: none"> ● Revving engine from idle to 3,000 rpm quickly after the following conditions are met <ul style="list-style-type: none"> – Engine: After warming up – Keeping the engine speed between 3,500 and 4,000 rpm for 1 minute and at idle for 1 minute under no load 	0 - 0.3V ↔ Approx. 0.6 - 1.0V
HO2S2 MNTR(B1) HO2S2 MNTR(B2)	<ul style="list-style-type: none"> ● Revving engine from idle to 3,000 rpm quickly after the following conditions are met <ul style="list-style-type: none"> – Engine: After warming up – Keeping the engine speed between 3,500 and 4,000 rpm for 1 minute and at idle for 1 minute under no load 	LEAN ↔ RICH

On Board Diagnosis Logic

NBS000CY

The heated oxygen sensor 2 has a much longer switching time between rich and lean than the air fuel ratio (A/F) sensor 1. The oxygen storage capacity before the three way catalyst 1 causes the longer switching time. To judge the malfunctions of heated oxygen sensor 2, ECM monitors whether the maximum voltage of the sensor is sufficiently high during the various driving condition such as fuel-cut.



DTC No.	Trouble diagnosis name	DTC detecting condition	Possible cause
P0137 0137 (Bank 1)	Heated oxygen sensor 2 circuit low voltage	The maximum voltage from the sensor is not reached to the specified voltage.	<ul style="list-style-type: none"> ● Harness or connectors (The sensor circuit is open or shorted) ● Heated oxygen sensor 2 ● Fuel pressure ● Fuel injector ● Intake air leaks
P0157 0157 (Bank 2)			

DTC Confirmation Procedure

NOTE:

If DTC confirmation Procedure has been previously conducted, always turn ignition switch OFF and wait at least 10 seconds before conducting the next test.

WITH CONSULT-III

TESTING CONDITION:

For better results, perform "DTC WORK SUPPORT" at a temperature of 0 to 30 °C (32 to 86 °F).

1. Turn ignition switch ON and select "DATA MONITOR" mode with CONSULT-III
2. Start engine and warm it up to the normal operating temperature.
3. Turn ignition switch OFF and wait at least 10 seconds.
4. Start engine and keep the engine speed between 3,500 and 4,000 rpm for at least 1 minute under no load.
5. Let engine idle for 1 minute.
6. Make sure that "COOLAN TEMP/S" indicates more than 70°C (158°F).
If not, warm up engine and go to next step when "COOLAN TEMP/S" indication reaches to 70°C (158°F).
7. Open engine hood.
8. Select "HO2S2 (B1) P1147" (for DTC P0137) or "HO2S2 (B2) P1167" (for DTC P0157) of "HO2S2" in "DTC WORK SUPPORT" mode with CONSULT-III.
9. Start engine and following the instruction of CONSULT-III.

NOTE:

It will take at most 10 minutes until "COMPLETED" is displayed.

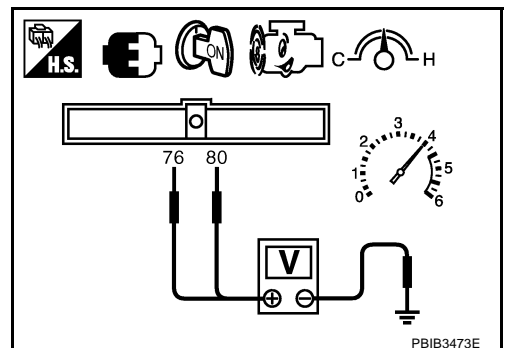
10. Make sure that "OK" is displayed after touching "SELF-DIAG RESULTS".
If "NG" is displayed, refer to [EC-293, "Diagnostic Procedure"](#).
If "CAN NOT BE DIAGNOSED" is displayed, perform the following.
 - a. Turn ignition switch OFF and leave the vehicle in a cool place (soak the vehicle).
 - b. Return to step 1.

Overall Function Check

Use this procedure to check the overall function of the heated oxygen sensor 2 circuit. During this check, a 1st trip DTC might not be confirmed.

WITH GST

1. Start engine and warm it up to the normal operating temperature.
2. Turn ignition switch OFF and wait at least 10 seconds.
3. Start engine and keep the engine speed between 3,500 and 4,000 rpm for at least 1 minute under no load.
4. Let engine idle for 1 minute.
5. Set voltmeter probes between ECM terminal 76 [HO2S2 (B1) signal] or 80 [HO2S2 (B2) signal] and ground.
6. Check the voltage when revving up to 4,000 rpm under no load at least 10 times.
(Depress and release accelerator pedal as soon as possible.)
The voltage should be above 0.68V at least once during this procedure.
If the voltage can be confirmed in step 6, step 7 is not necessary.
7. Keep vehicle at idling for 10 minutes, then check the voltage. Or check the voltage when coasting from 80 km/h (50 MPH) in D position (A/T), 4th gear position (M/T).
The voltage should be above 0.68V at least once during this procedure.
8. If NG, go to [EC-293, "Diagnostic Procedure"](#).

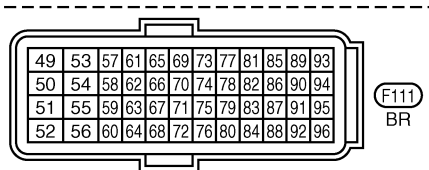
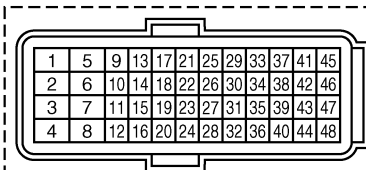
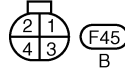
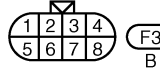
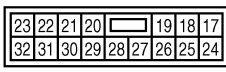
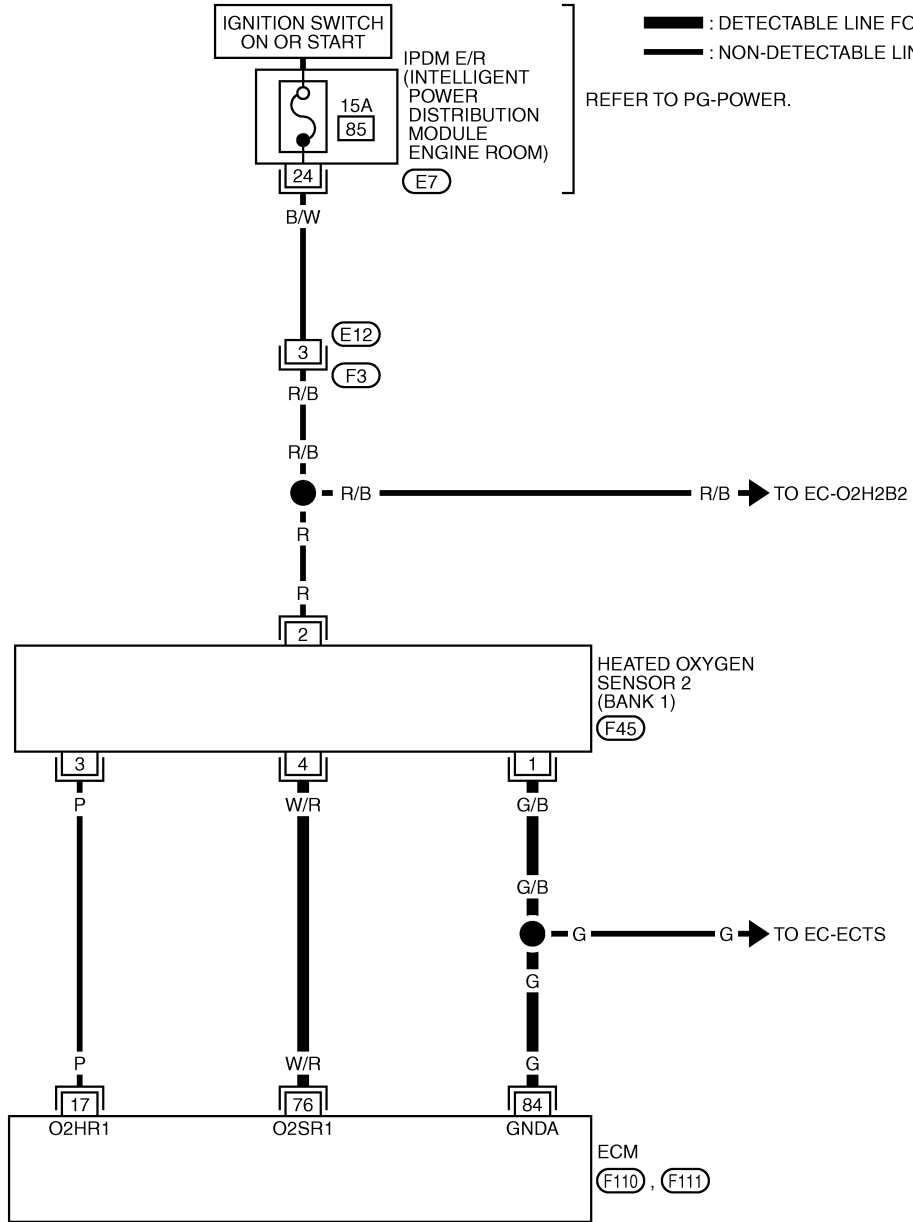


DTC P0137, P0157 HO2S2

Wiring Diagram BANK 1

NBS000D1

EC-O2S2B1-01



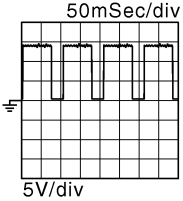
TBWT1634E

DTC P0137, P0157 HO2S2

Specification data are reference values and are measured between each terminal and ground.

CAUTION:

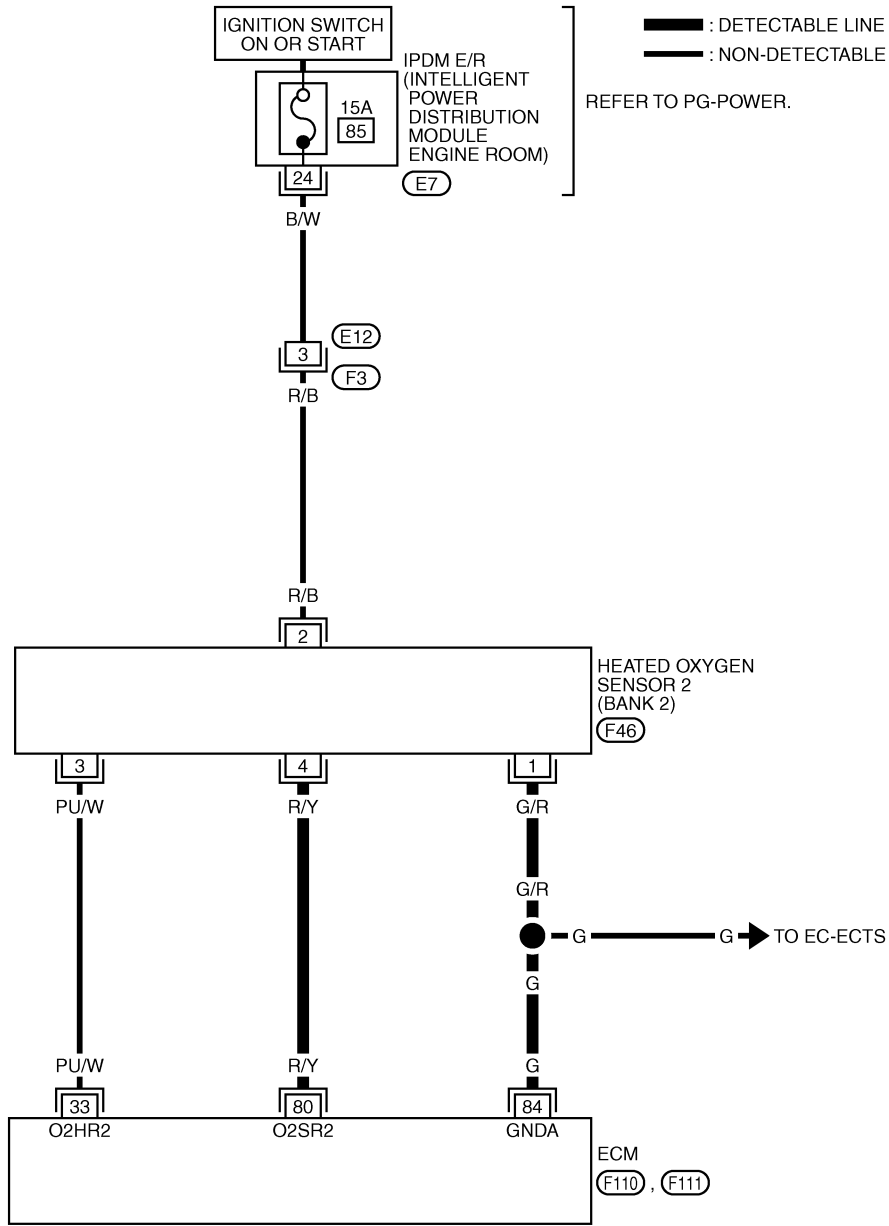
Do not use ECM ground terminals when measuring input/output voltage. Doing so may result in damage to the ECM's transistor. Use a ground other than ECM terminals, such as the ground.

TER-MINAL NO.	WIRE COLOR	ITEM	CONDITION	DATA (DC Voltage)
17	P	Heated oxygen sensor 2 heater (bank 1)	<p>[Engine is running]</p> <ul style="list-style-type: none"> ● Engine speed: Below 3,600 rpm after the following conditions are met. - Engine: After warming up - Keeping the engine speed between 3,500 and 4,000 rpm for 1 minute and at idle for 1 minute under no load. 	<p>0 - 14V★</p>  <p style="text-align: right;">PBB3545E</p>
			<p>[Ignition switch: ON]</p> <ul style="list-style-type: none"> ● Engine stopped <p>[Engine is running]</p> <ul style="list-style-type: none"> ● Engine speed: Above 3,600 rpm 	<p>BATTERY VOLTAGE (11 - 14V)</p>
76	W/R	Heated oxygen sensor 2 (bank 1)	<p>[Engine is running]</p> <ul style="list-style-type: none"> ● Revving engine from idle to 3,000 rpm quickly after the following conditions are met. - Engine: After warming up - Keeping the engine speed between 3,500 and 4,000 rpm for 1 minute and at idle for 1 minute under no load. 	0 - 1.0V
84	G	Sensor ground (Heated oxygen sensor 2, Engine coolant temperature sensor, Engine oil temperature sensor)	<p>[Engine is running]</p> <ul style="list-style-type: none"> ● Warm-up condition ● Idle speed 	0V

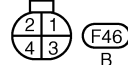
DTC P0137, P0157 HO2S2

BANK 2

EC-O2S2B2-01



23	22	21	20	19	18	17		
32	31	30	29	28	27	26	25	24



1	5	9	13	17	21	25	29	33	37	41	45
2	6	10	14	18	22	26	30	34	38	42	46
3	7	11	15	19	23	27	31	35	39	43	47
4	8	12	16	20	24	28	32	36	40	44	48



49	53	57	61	65	69	73	77	81	85	89	93
50	54	58	62	66	70	74	78	82	86	90	94
51	55	59	63	67	71	75	79	83	87	91	95
52	56	60	64	68	72	76	80	84	88	92	96



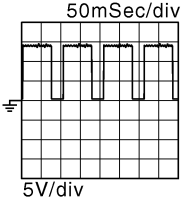
TBWT1635E

DTC P0137, P0157 HO2S2

Specification data are reference values and are measured between each terminal and ground.

CAUTION:

Do not use ECM ground terminals when measuring input/output voltage. Doing so may result in damage to the ECM's transistor. Use a ground other than ECM terminals, such as the ground.

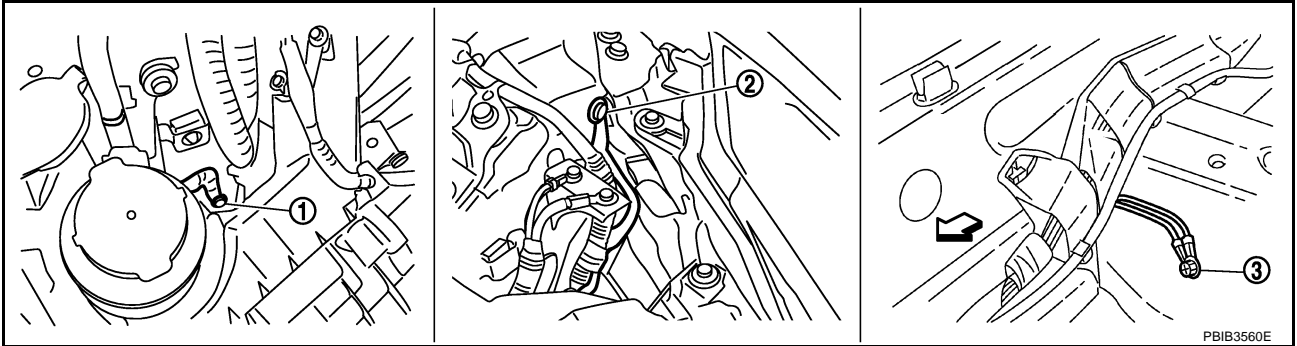
TER-MINAL NO.	WIRE COLOR	ITEM	CONDITION	DATA (DC Voltage)
33	PU/W	Heated oxygen sensor 2 heater (bank 2)	<p>[Engine is running]</p> <ul style="list-style-type: none"> ● Engine speed: Below 3,600 rpm after the following conditions are met. – Engine: After warming up – Keeping the engine speed between 3,500 and 4,000 rpm for 1 minute and at idle for 1 minute under no load. 	<p>0 - 14V★</p>  <p style="text-align: right; font-size: small;">PBB3545E</p>
			<p>[Ignition switch: ON]</p> <ul style="list-style-type: none"> ● Engine stopped <p>[Engine is running]</p> <ul style="list-style-type: none"> ● Engine speed: Above 3,600 rpm 	<p>BATTERY VOLTAGE (11 - 14V)</p>
80	R/Y	Heated oxygen sensor 2 (bank 2)	<p>[Engine is running]</p> <ul style="list-style-type: none"> ● Revving engine from idle to 3,000 rpm quickly after the following conditions are met. – Engine: After warming up – Keeping the engine speed between 3,500 and 4,000 rpm for 1 minute and at idle for 1 minute under no load. 	0 - 1.0V
84	G	Sensor ground (Heated oxygen sensor 2, Engine coolant temperature sensor, Engine oil temperature sensor)	<p>[Engine is running]</p> <ul style="list-style-type: none"> ● Warm-up condition ● Idle speed 	0V

Diagnostic Procedure

1. CHECK GROUND CONNECTIONS

Models with VDC system, navigation system or telephone

1. Turn ignition switch OFF.
2. Loosen and retighten ground screws on the body. Refer to [EC-150. "Ground Inspection"](#) .



1. Body ground E17

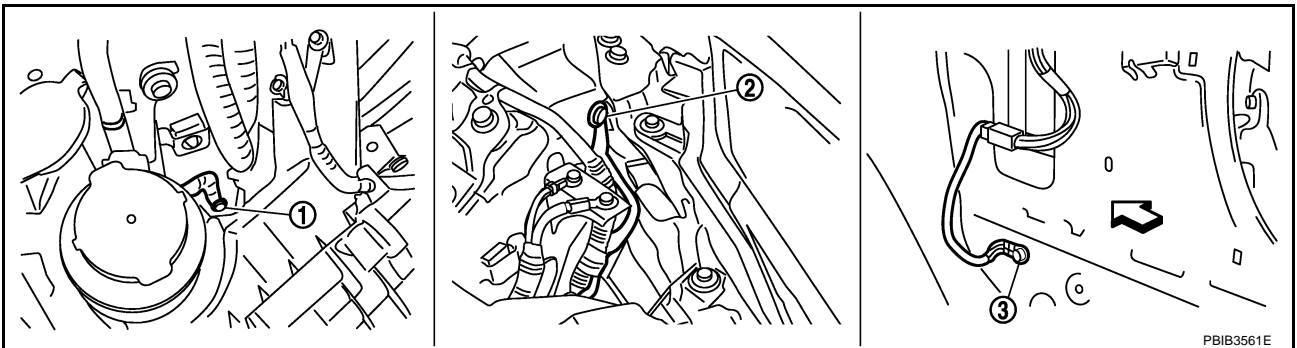
2. Body ground E43

3. Body ground B102

↔ Vehicle front

Models without VDC system, navigation system and telephone

1. Turn ignition switch OFF.
2. Loosen and retighten ground screws on the body. Refer to [EC-150. "Ground Inspection"](#) .



1. Body ground E17

2. Body ground E43

3. Body ground F152
(Passenger side view with dash side finisher removed)

↔ Vehicle front

OK or NG

- OK >> GO TO 2.
- NG >> Repair or replace ground connections.

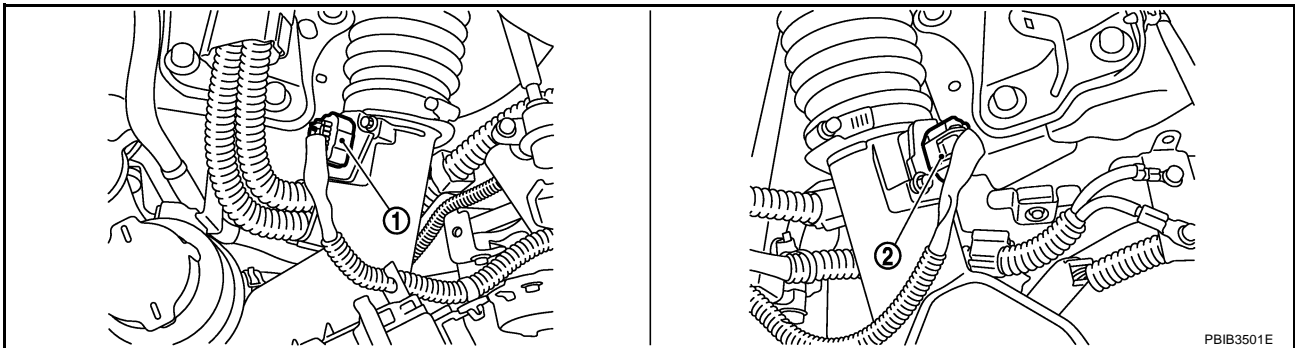
2. CLEAR THE SELF-LEARNING DATA

☑ With CONSULT-III

1. Start engine and warm it up to normal operating temperature.
2. Select "SELF-LEARNING CONT" in "WORK SUPPORT" mode with CONSULT-III.
3. Clear the self-learning control coefficient by touching "CLEAR".
4. Run engine for at least 10 minutes at idle speed.
Is the 1st trip DTC P0171 or P0174 detected?
Is it difficult to start engine?

☒ Without CONSULT-III

1. Start engine and warm it up to normal operating temperature.
2. Turn ignition switch OFF.
3. Disconnect mass air flow sensor (bank 1) harness connector, and restart and run engine for at least 5 seconds at idle speed.



1. Mass air flow sensor (with intake air temperature sensor) (bank 1)
2. Mass air flow sensor (with intake air temperature sensor) (bank 2)

4. Stop engine and reconnect mass air flow sensor (bank 1) harness connector.
5. Make sure DTC P0102 is displayed.
6. Erase the DTC memory. Refer to [EC-61, "HOW TO ERASE EMISSION-RELATED DIAGNOSTIC INFORMATION"](#).
7. Make sure DTC P0000 is displayed.
8. Run engine for at least 10 minutes at idle speed.
Is the 1st trip DTC P0171 or P0174 detected?
Is it difficult to start engine?

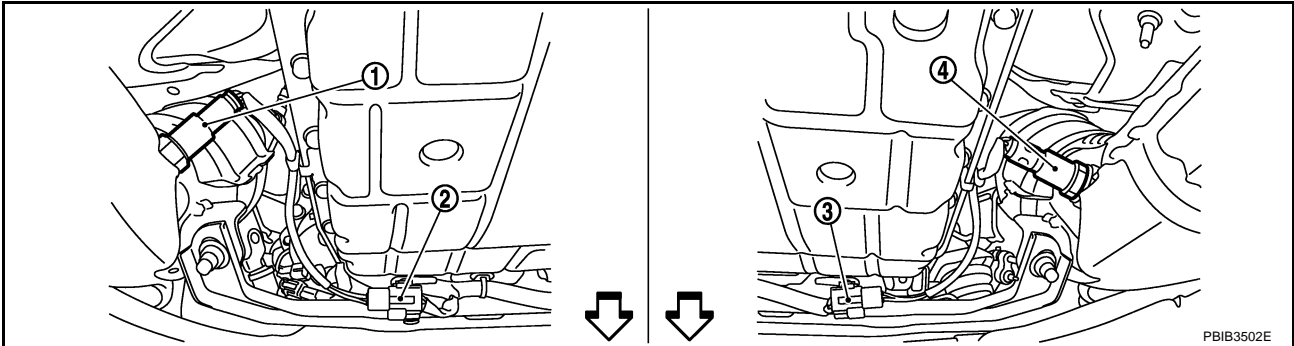
Yes or No

- Yes >> Perform trouble diagnosis for DTC P0171 or P0174. Refer to [EC-324, "DTC P0171, P0174 FUEL INJECTION SYSTEM FUNCTION"](#).
- No >> GO TO 3.

DTC P0137, P0157 HO2S2

3. CHECK HO2S2 GROUND CIRCUIT FOR OPEN AND SHORT

1. Turn ignition switch OFF.
2. Disconnect ECM harness connector.
3. Disconnect heated oxygen sensor 2 harness connector.



1. Heated oxygen sensor 2 (bank 2)
2. Heated oxygen sensor 2 (bank 2) harness connector
3. Heated oxygen sensor 2 (bank 1)
4. Heated oxygen sensor 2 (bank 1) harness connector

← Vehicle front

4. Check harness continuity between HO2S2 terminal 1 and ECM terminal 84. Refer to Wiring Diagram.

Continuity should exist.

5. Also check harness for short to ground and short to power.

OK or NG

OK >> GO TO 4.

NG >> Repair open circuit or short to ground or short to power in harness or connectors.

4. CHECK HO2S2 INPUT SIGNAL CIRCUIT FOR OPEN AND SHORT

1. Check harness continuity between ECM terminal and HO2S2 terminal as follows. Refer to Wiring Diagram.

DTC	Terminals		Bank
	ECM	Sensor	
P0137	76	4	1
P0157	80	4	2

Continuity should exist.

2. Check harness continuity between the following terminals and ground. Refer to Wiring Diagram.

DTC	Terminals		Bank
	ECM	Sensor	
P0137	76	4	1
P0157	80	4	2

Continuity should not exist.

3. Also check harness for short to power.

OK or NG

OK >> GO TO 5.

NG >> Repair open circuit or short to ground or short to power in harness or connectors.

5. CHECK HEATED OXYGEN SENSOR 2

Refer to [EC-296, "Component Inspection"](#) .

OK or NG

- OK >> GO TO 6.
- NG >> Replace malfunctioning heated oxygen sensor 2.

6. CHECK INTERMITTENT INCIDENT

Refer to [EC-141, "TROUBLE DIAGNOSIS FOR INTERMITTENT INCIDENT"](#) .

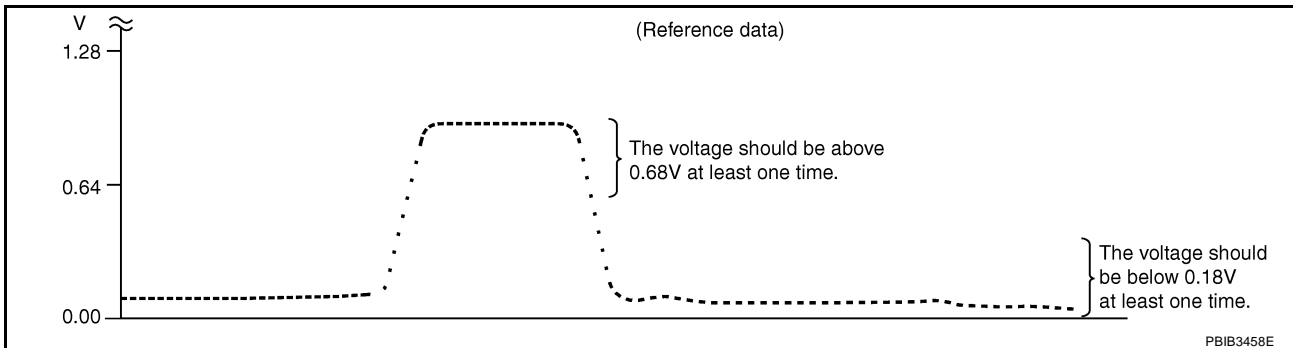
>> INSPECTION END

Component Inspection HEATED OXYGEN SENSOR 2

NBS000D3

④ With CONSULT-III

1. Turn ignition switch ON and select "DATA MONITOR" mode with CONSULT-III.
2. Start engine and warm it up to the normal operating temperature.
3. Turn ignition switch OFF and wait at least 10 seconds.
4. Start engine and keep the engine speed between 3,500 and 4,000 rpm for at least 1 minute under no load.
5. Let engine idle for 1 minute.
6. Select "FUEL INJECTION" in "ACTIVE TEST" mode, and select "HO2S2 (B1)/(B2)" as the monitor item with CONSULT-III.
7. Check "HO2S2 (B1)/(B2)" at idle speed when adjusting "FUEL INJECTION" to $\pm 25\%$.



"HO2S2 (B1)/(B2)" should be above 0.68V at least once when the "FUEL INJECTION" is +25%.

"HO2S2 (B1)/(B2)" should be below 0.18V at least once when the "FUEL INJECTION" is -25%.

CAUTION:

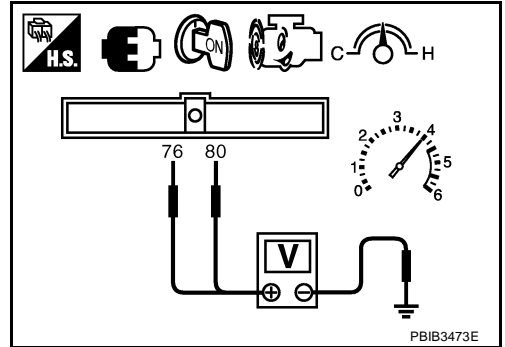
- Discard any heated oxygen sensor which has been dropped from a height of more than 0.5 m (19.7 in) onto a hard surface such as a concrete floor; use a new one.
- Before installing new oxygen sensor, clean exhaust system threads using Oxygen Sensor Thread Cleaner tool J-43897-18 or J-43897-12 and approved anti-seize lubricant.

⊗ Without CONSULT-III

1. Start engine and warm it up to the normal operating temperature.
2. Turn ignition switch OFF and wait at least 10 seconds.
3. Start engine and keep the engine speed between 3,500 and 4,000 rpm for at least 1 minute under no load.
4. Let engine idle for 1 minute.
5. Set voltmeter probes between ECM terminal 76 [HO2S2 (B1) signal] or 80 [HO2S2 (B2) signal] and ground.

DTC P0137, P0157 HO2S2

6. Check the voltage when revving up to 4,000 rpm under no load at least 10 times.
(Depress and release accelerator pedal as soon as possible.)
The voltage should be above 0.68V at least once during this procedure.
If the voltage is above 0.68V at step 6, step 7 is not necessary.
7. Keep vehicle at idling for 10 minutes, then check voltage. Or check the voltage when coasting from 80 km/h (50 MPH) in D position (A/T), 4th gear position (M/T).
The voltage should be below 0.18V at least once during this procedure.
8. If NG, replace heated oxygen sensor 2.



CAUTION:

- Discard any heated oxygen sensor which has been dropped from a height of more than 0.5 m (19.7 in) onto a hard surface such as a concrete floor; use a new one.
- Before installing new oxygen sensor, clean exhaust system threads using Oxygen Sensor Thread Cleaner tool J-43897-18 or J-43897-12 and approved anti-seize lubricant.

Removal and Installation HEATED OXYGEN SENSOR 2

NBS000D4

Refer to [EM-22. "EXHAUST MANIFOLD AND THREE WAY CATALYST"](#) .

DTC P0138, P0158 HO2S2

PFP:226A0

Component Description

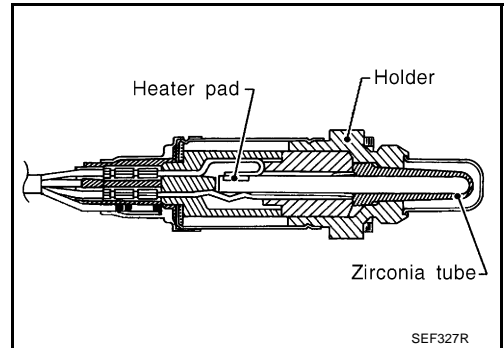
NBS001NK

The heated oxygen sensor 2, after three way catalyst 1, monitors the oxygen level in the exhaust gas on each bank.

Even if switching characteristics of the air fuel ratio (A/F) sensor 1 are shifted, the air-fuel ratio is controlled to stoichiometric, by the signal from the heated oxygen sensor 2.

This sensor is made of ceramic zirconia. The zirconia generates voltage from approximately 1V in richer conditions to 0V in leaner conditions.

Under normal conditions the heated oxygen sensor 2 is not used for engine control operation.



CONSULT-III Reference Value in Data Monitor Mode

NBS001NL

Specification data are reference values.

MONITOR ITEM	CONDITION	SPECIFICATION
HO2S2 (B1) HO2S2 (B2)	<ul style="list-style-type: none"> ● Revving engine from idle to 3,000 rpm quickly after the following conditions are met – Engine: After warming up – Keeping the engine speed between 3,500 and 4,000 rpm for 1 minute and at idle for 1 minute under no load 	0 - 0.3V ↔ Approx. 0.6 - 1.0V
HO2S2 MNTR(B1) HO2S2 MNTR(B2)	<ul style="list-style-type: none"> ● Revving engine from idle to 3,000 rpm quickly after the following conditions are met – Engine: After warming up – Keeping the engine speed between 3,500 and 4,000 rpm for 1 minute and at idle for 1 minute under no load 	LEAN ↔ RICH

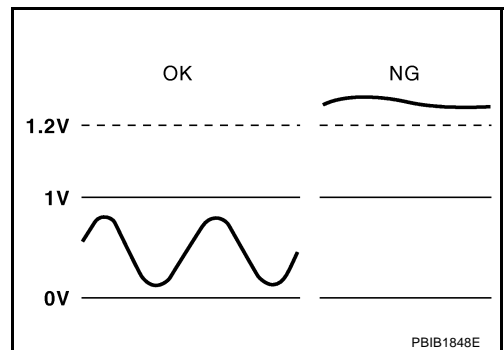
On Board Diagnosis Logic

NBS001NM

The heated oxygen sensor 2 has a much longer switching time between rich and lean than the air fuel ratio (A/F) sensor 1. The oxygen storage capacity of the three way catalyst 1 causes the longer switching time.

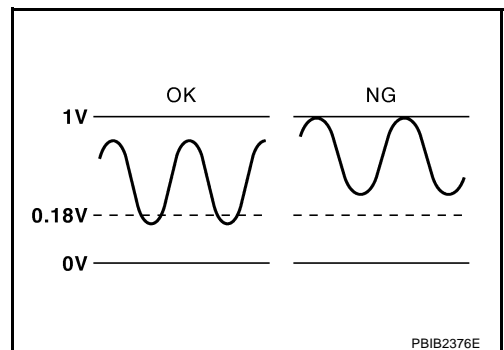
MALFUNCTION A

To judge the malfunctions of heated oxygen sensor 2, ECM monitors whether the voltage is unusually high during the various driving condition such as fuel-cut.



MALFUNCTION B

To judge the malfunctions of heated oxygen sensor 2, ECM monitors whether the minimum voltage of sensor is sufficiently low during the various driving condition such as fuel-cut.



DTC P0138, P0158 HO2S2

DTC No.	Trouble diagnosis name	DTC detecting condition		Possible cause
P0138 0138 (Bank 1)	Heated oxygen sensor 2 circuit high voltage	A)	An excessively high voltage from the sensor is sent to ECM.	<ul style="list-style-type: none"> ● Harness or connectors (The sensor circuit is open or shorted) ● Heated oxygen sensor 2
P0158 0158 (Bank 2)		B)	The minimum voltage from the sensor is not reached to the specified voltage.	<ul style="list-style-type: none"> ● Harness or connectors (The sensor circuit is open or shorted) ● Heated oxygen sensor 2 ● Fuel pressure ● Fuel injector

DTC Confirmation Procedure

NBS001NN

Perform PROCEDURE FOR MALFUNCTION A first.

If DTC cannot be confirmed, perform PROCEDURE FOR MALFUNCTION B.

NOTE:

If DTC Confirmation Procedure has been previously conducted, always turn ignition switch OFF and wait at least 10 seconds before conducting the next test.

PROCEDURE FOR MALFUNCTION A

With CONSULT-III

1. Start engine and warm it up to the normal operating temperature.
2. Turn ignition switch OFF and wait at least 10 seconds.
3. Start engine and keep the engine speed between 3,500 and 4,000 rpm for at least 1 minute under no load.
4. Let engine idle for 2 minutes.
5. Check 1st trip DTC.
6. If 1st trip DTC is detected, go to [EC-305, "PROCEDURE FOR MALFUNCTION A"](#).

With GST

Follow the procedure "With CONSULT-III" above.

PROCEDURE FOR MALFUNCTION B

With CONSULT-III

TESTING CONDITION:

For better results, perform "DTC WORK SUPPORT" at a temperature of 0 to 30 °C (32 to 86 °F).

1. Start engine and warm it up to the normal operating temperature.
2. Turn ignition switch OFF and wait at least 10 seconds.
3. Start engine and keep the engine speed between 3,500 and 4,000 rpm for at least 1 minute under no load.
4. Let engine idle for 1 minute.
5. Make sure that "COOLAN TEMP/S" indicates more than 70°C (158°F).
If not, warm up engine and go to next step when "COOLAN TEMP/S" indication reaches to 70°C (158°F).
6. Open engine hood.
7. Select "HO2S2 (B1) P1146" (for DTC P0138) or "HO2S2 (B2) P1166" (for DTC P0158) of "HO2S2" in "DTC WORK SUPPORT" mode with CONSULT-III.
8. Start engine and following the instruction of CONSULT-III.

NOTE:

It will take at most 10 minutes until "COMPLETED" is displayed.

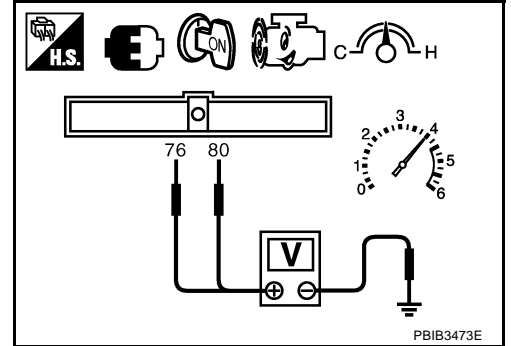
9. Make sure that "OK" is displayed after touching "SELF-DIAG RESULTS".
If "NG" is displayed, refer to [EC-308, "PROCEDURE FOR MALFUNCTION B"](#).
If "CAN NOT BE DIAGNOSED" is displayed, perform the following.
 - a. Turn ignition switch OFF and leave the vehicle in a cool place (soak the vehicle).
 - b. Return to step 1.

Overall Function Check PROCEDURE FOR MALFUNCTION B

Use this procedure to check the overall function of the heated oxygen sensor 2 circuit. During this check, a 1st trip DTC might not be confirmed.

With GST

1. Start engine and warm it up to the normal operating temperature.
2. Turn ignition switch OFF and wait at least 10 seconds.
3. Start engine and keep the engine speed between 3,500 and 4,000 rpm for at least 1 minute under no load.
4. Let engine idle for 1 minute.
5. Set voltmeter probes between ECM terminal 76 [HO2S2 (B2) signal] or 80 [HO2S2 (B1) signal] and ground.
6. Check the voltage when revving up to 4,000 rpm under no load at least 10 times.
(Depress and release accelerator pedal as soon as possible.)
The voltage should be below 0.18V at least once during this procedure.
If the voltage can be confirmed in step 6, step 7 is not necessary.
7. Keep vehicle at idling for 10 minutes, then check the voltage. Or check the voltage when coasting from 80 km/h (50 MPH) in D position.
The voltage should be below 0.18V at least once during this procedure.
8. If NG, go to [EC-308, "PROCEDURE FOR MALFUNCTION B"](#) .

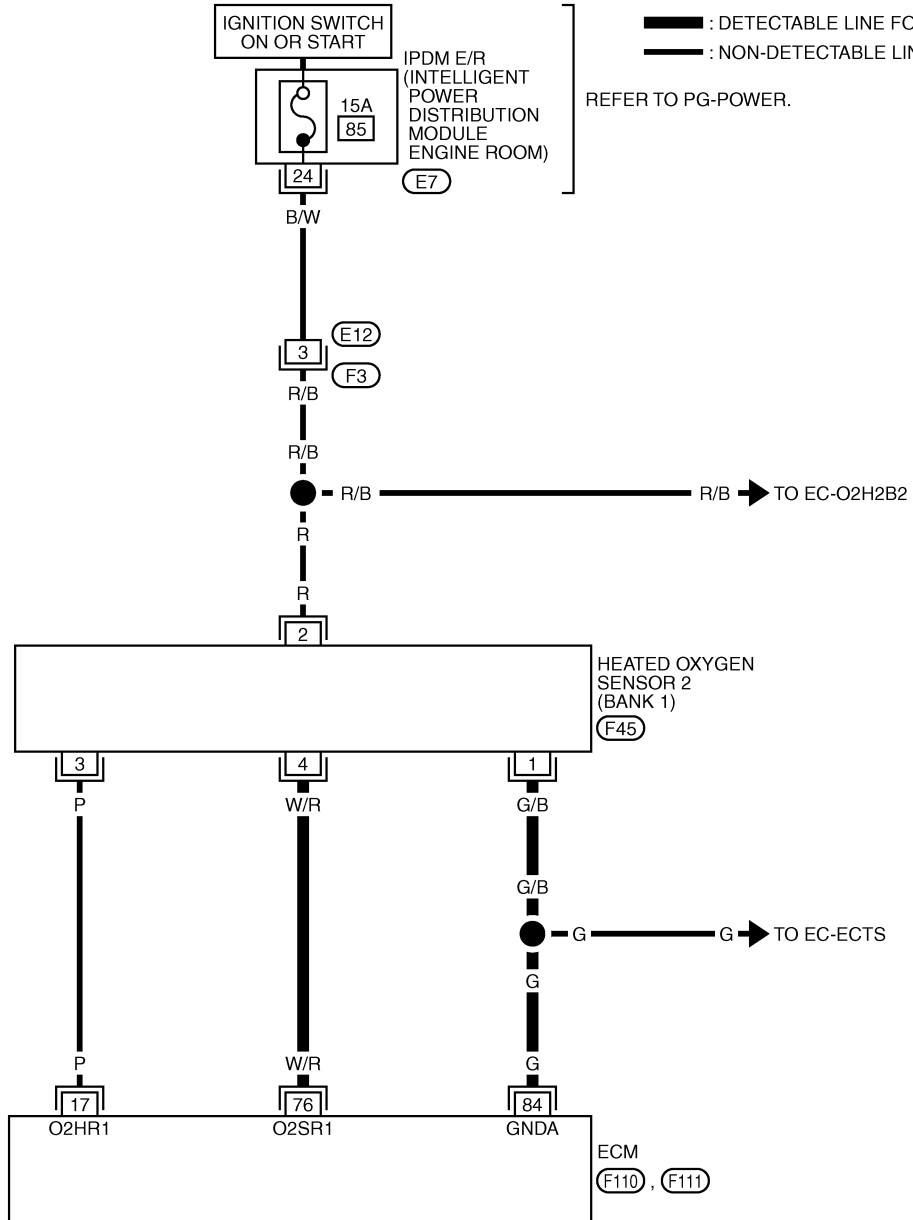


DTC P0138, P0158 HO2S2

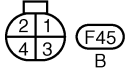
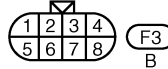
NBS006UT

Wiring Diagram BANK 1

EC-O2S2B1-01



23	22	21	20	19	18	17		
32	31	30	29	28	27	26	25	24



1	5	9	13	17	21	25	29	33	37	41	45
2	6	10	14	18	22	26	30	34	38	42	46
3	7	11	15	19	23	27	31	35	39	43	47
4	8	12	16	20	24	28	32	36	40	44	48



49	53	57	61	65	69	73	77	81	85	89	93
50	54	58	62	66	70	74	78	82	86	90	94
51	55	59	63	67	71	75	79	83	87	91	95
52	56	60	64	68	72	76	80	84	88	92	96



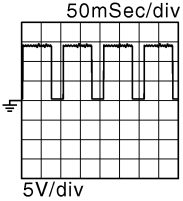
TBWT1634E

DTC P0138, P0158 HO2S2

Specification data are reference values and are measured between each terminal and ground.

CAUTION:

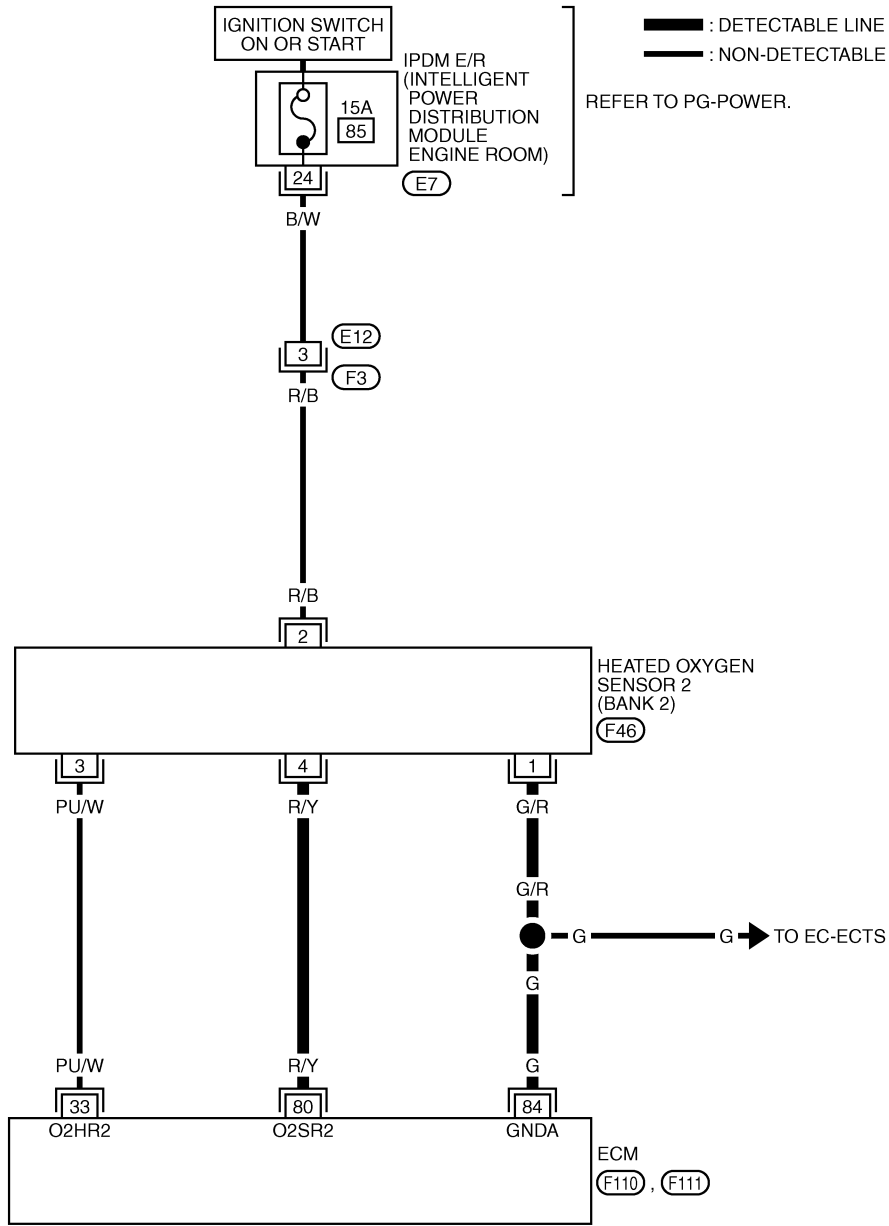
Do not use ECM ground terminals when measuring input/output voltage. Doing so may result in damage to the ECM's transistor. Use a ground other than ECM terminals, such as the ground.

TER-MINAL NO.	WIRE COLOR	ITEM	CONDITION	DATA (DC Voltage)
17	P	Heated oxygen sensor 2 heater (bank 1)	<p>[Engine is running]</p> <ul style="list-style-type: none"> ● Engine speed: Below 3,600 rpm after the following conditions are met. – Engine: After warming up – Keeping the engine speed between 3,500 and 4,000 rpm for 1 minute and at idle for 1 minute under no load. 	<p>0 - 14V★</p>  <p style="text-align: right;">PBB3545E</p>
			<p>[Ignition switch: ON]</p> <ul style="list-style-type: none"> ● Engine stopped <p>[Engine is running]</p> <ul style="list-style-type: none"> ● Engine speed: Above 3,600 rpm 	<p>BATTERY VOLTAGE (11 - 14V)</p>
76	W/R	Heated oxygen sensor 2 (bank 1)	<p>[Engine is running]</p> <ul style="list-style-type: none"> ● Revving engine from idle to 3,000 rpm quickly after the following conditions are met. – Engine: After warming up – Keeping the engine speed between 3,500 and 4,000 rpm for 1 minute and at idle for 1 minute under no load. 	0 - 1.0V
84	G	Sensor ground (Heated oxygen sensor 2, Engine coolant temperature sensor, Engine oil temperature sensor)	<p>[Engine is running]</p> <ul style="list-style-type: none"> ● Warm-up condition ● Idle speed 	0V

DTC P0138, P0158 HO2S2

BANK 2

EC-O2S2B2-01



23	22	21	20	19	18	17		
32	31	30	29	28	27	26	25	24

(E7) GY

1	2	3	4
5	6	7	8

(F3) B

2	1
4	3

(F46) B

1	5	9	13	17	21	25	29	33	37	41	45
2	6	10	14	18	22	26	30	34	38	42	46
3	7	11	15	19	23	27	31	35	39	43	47
4	8	12	16	20	24	28	32	36	40	44	48

(F110) B

49	53	57	61	65	69	73	77	81	85	89	93
50	54	58	62	66	70	74	78	82	86	90	94
51	55	59	63	67	71	75	79	83	87	91	95
52	56	60	64	68	72	76	80	84	88	92	96

(F111) BR

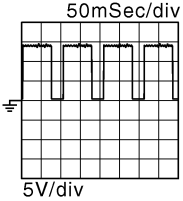
TBWT1635E

DTC P0138, P0158 HO2S2

Specification data are reference values and are measured between each terminal and ground.

CAUTION:

Do not use ECM ground terminals when measuring input/output voltage. Doing so may result in damage to the ECM's transistor. Use a ground other than ECM terminals, such as the ground.

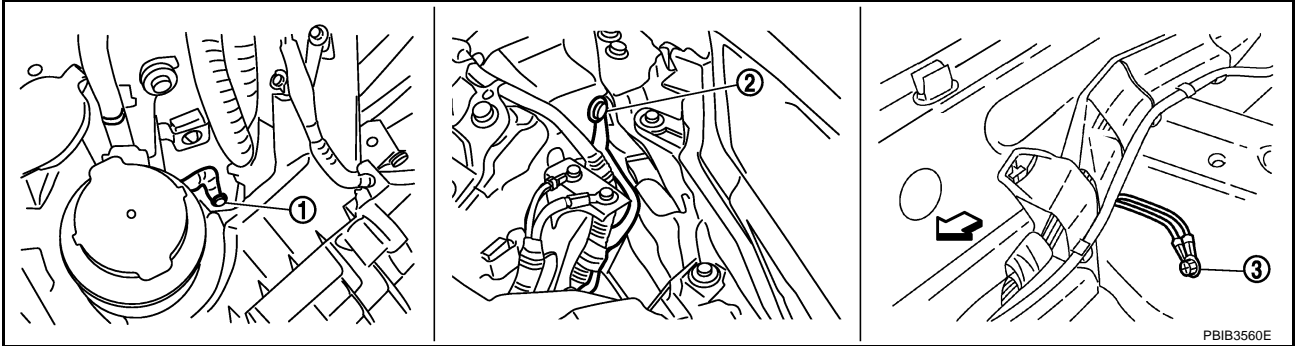
TER-MINAL NO.	WIRE COLOR	ITEM	CONDITION	DATA (DC Voltage)
33	PU/W	Heated oxygen sensor 2 heater (bank 2)	<p>[Engine is running]</p> <ul style="list-style-type: none"> ● Engine speed: Below 3,600 rpm after the following conditions are met. – Engine: After warming up – Keeping the engine speed between 3,500 and 4,000 rpm for 1 minute and at idle for 1 minute under no load. 	<p>0 - 14V★</p>  <p style="text-align: right; font-size: small;">PBB3545E</p>
			<p>[Ignition switch: ON]</p> <ul style="list-style-type: none"> ● Engine stopped <p>[Engine is running]</p> <ul style="list-style-type: none"> ● Engine speed: Above 3,600 rpm 	<p>BATTERY VOLTAGE (11 - 14V)</p>
80	R/Y	Heated oxygen sensor 2 (bank 2)	<p>[Engine is running]</p> <ul style="list-style-type: none"> ● Revving engine from idle to 3,000 rpm quickly after the following conditions are met. – Engine: After warming up – Keeping the engine speed between 3,500 and 4,000 rpm for 1 minute and at idle for 1 minute under no load. 	0 - 1.0V
84	G	Sensor ground (Heated oxygen sensor 2, Engine coolant temperature sensor, Engine oil temperature sensor)	<p>[Engine is running]</p> <ul style="list-style-type: none"> ● Warm-up condition ● Idle speed 	0V

Diagnostic Procedure
PROCEDURE FOR MALFUNCTION A

1. CHECK GROUND CONNECTIONS

Models with VDC system, navigation system or telephone

1. Turn ignition switch OFF.
2. Loosen and retighten ground screws on the body. Refer to [EC-150, "Ground Inspection"](#).



1. Body ground E17

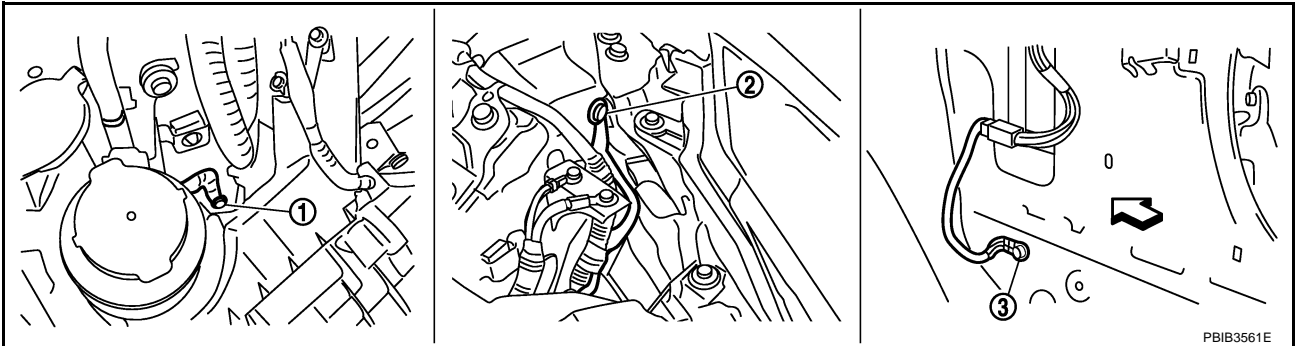
2. Body ground E43

3. Body ground B102

← Vehicle front

Models without VDC system, navigation system and telephone

1. Turn ignition switch OFF.
2. Loosen and retighten ground screws on the body. Refer to [EC-150, "Ground Inspection"](#).



1. Body ground E17

2. Body ground E43

3. Body ground F152
(Passenger side view with dash side finisher removed)

← Vehicle front

OK or NG

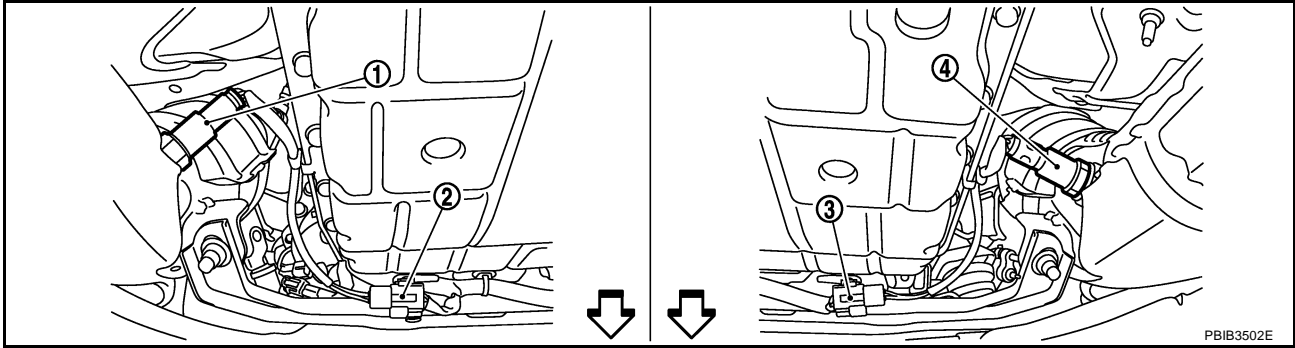
- OK >> GO TO 2.
NG >> Repair or replace ground connections.

A
EC
C
D
E
F
G
H
I
J
K
L
M

DTC P0138, P0158 HO2S2

2. CHECK HO2S2 GROUND CIRCUIT FOR OPEN AND SHORT

1. Disconnect heated oxygen sensor 2 harness connector.



1. Heated oxygen sensor 2 (bank 2)
2. Heated oxygen sensor 2 (bank 2) harness connector
3. Heated oxygen sensor 2 (bank 1)

4. Heated oxygen sensor 2 (bank 1) harness connector

← Vehicle front

2. Disconnect ECM harness connector.
3. Check harness continuity between HO2S2 terminal 1 and ECM terminal 84. Refer to Wiring Diagram.

Continuity should exist.

4. Also check harness for short to ground and short to power.

OK or NG

OK >> GO TO 3.

NG >> Repair open circuit or short to ground or short to power in harness or connectors.

3. CHECK HO2S2 INPUT SIGNAL CIRCUIT FOR OPEN AND SHORT

1. Check harness continuity between ECM terminal and HO2S2 terminal as follows. Refer to Wiring Diagram.

DTC	Terminals		Bank
	ECM	Sensor	
P0138	76	4	1
P0158	80	4	2

Continuity should exist.

2. Check harness continuity between the following terminals and ground. Refer to Wiring Diagram.

DTC	Terminals		Bank
	ECM	Sensor	
P0138	76	4	1
P0158	80	4	2

Continuity should not exist.

3. Also check harness for short to power.

OK or NG

OK >> GO TO 4.

NG >> Repair open circuit or short to ground or short to power in harness or connectors.

4. CHECK HO2S2 CONNECTOR FOR WATER

A

Check connectors for water.

Water should not exist.

EC

OK or NG

OK >> GO TO 5.

NG >> Repair or replace harness or connectors.

C

5. CHECK HEATED OXYGEN SENSOR 2

Refer to [EC-296, "Component Inspection"](#) .

D

OK or NG

OK >> GO TO 6.

NG >> Replace malfunctioning heated oxygen sensor 2.

E

6. CHECK INTERMITTENT INCIDENT

Refer to [EC-141, "TROUBLE DIAGNOSIS FOR INTERMITTENT INCIDENT"](#) .

F

>> INSPECTION END

G

H

I

J

K

L

M

PROCEDURE FOR MALFUNCTION B

1. CHECK GROUND CONNECTIONS

Models with VDC system, navigation system or telephone

1. Turn ignition switch OFF.
2. Loosen and retighten ground screws on the body. Refer to [EC-150, "Ground Inspection"](#).



1. Body ground E17

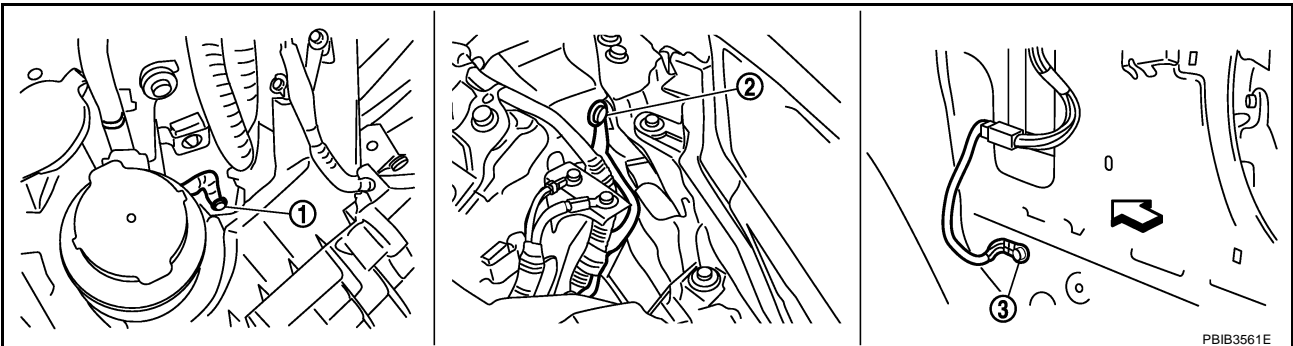
2. Body ground E43

3. Body ground B102

← Vehicle front

Models without VDC system, navigation system and telephone

1. Turn ignition switch OFF.
2. Loosen and retighten ground screws on the body. Refer to [EC-150, "Ground Inspection"](#).



1. Body ground E17

2. Body ground E43

3. Body ground F152
(Passenger side view with dash side finisher removed)

← Vehicle front

OK or NG

- OK >> GO TO 2.
 NG >> Repair or replace ground connections.

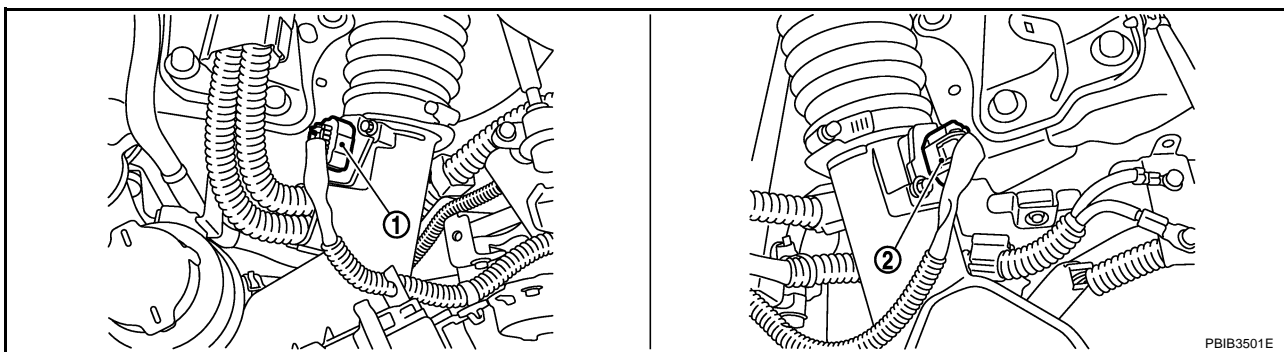
2. CLEAR THE SELF-LEARNING DATA

🔧 With CONSULT-III

1. Start engine and warm it up to normal operating temperature.
2. Select "SELF-LEARNING CONT" in "WORK SUPPORT" mode with CONSULT-III.
3. Clear the self-learning control coefficient by touching "CLEAR".
4. Run engine for at least 10 minutes at idle speed.
Is the 1st trip DTC P0172 or P0175 detected?
Is it difficult to start engine?

⊗ Without CONSULT-III

1. Start engine and warm it up to normal operating temperature.
2. Turn ignition switch OFF.
3. Disconnect mass air flow sensor (bank 1) harness connector, and restart and run engine for at least 5 seconds at idle speed.



1. Mass air flow sensor (with intake air temperature sensor) (bank 1)
2. Mass air flow sensor (with intake air temperature sensor) (bank 2)

4. Stop engine and reconnect mass air flow sensor (bank 1) harness connector.
5. Make sure DTC P0102 is displayed.
6. Erase the DTC memory. Refer to [EC-61, "HOW TO ERASE EMISSION-RELATED DIAGNOSTIC INFORMATION"](#).
7. Make sure DTC P0000 is displayed.
8. Run engine for at least 10 minutes at idle speed.
Is the 1st trip DTC P0172 or P0175 detected?
Is it difficult to start engine?

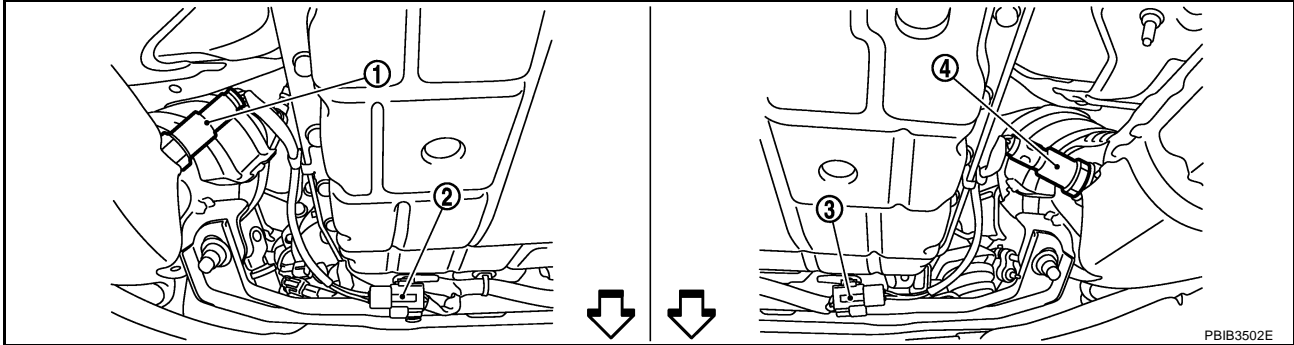
Yes or No

- Yes >> Perform trouble diagnosis for DTC P0172, P0175. Refer to [EC-334, "DTC P0172, P0175 FUEL INJECTION SYSTEM FUNCTION"](#).
- No >> GO TO 3.

DTC P0138, P0158 HO2S2

3. CHECK HO2S2 GROUND CIRCUIT FOR OPEN AND SHORT

1. Turn ignition switch OFF.
2. Disconnect heated oxygen sensor 2 harness connector.



1. Heated oxygen sensor 2 (bank 2) 2. Heated oxygen sensor 2 (bank 2) harness connector 3. Heated oxygen sensor 2 (bank 1)

4. Heated oxygen sensor 2 (bank 1) harness connector

← Vehicle front

3. Disconnect ECM harness connector.
4. Check harness continuity between HO2S2 terminal 1 and ECM terminal 84. Refer to Wiring Diagram.

Continuity should exist.

5. Also check harness for short to ground and short to power.

OK or NG

OK >> GO TO 4.

NG >> Repair open circuit or short to ground or short to power in harness or connectors.

4. CHECK HO2S2 INPUT SIGNAL CIRCUIT FOR OPEN AND SHORT

1. Check harness continuity between ECM terminal and HO2S2 terminal as follows. Refer to Wiring Diagram.

DTC	Terminals		Bank
	ECM	Sensor	
P0138	76	4	1
P0158	80	4	2

Continuity should exist.

2. Check harness continuity between the following terminals and ground. Refer to Wiring Diagram.

DTC	Terminals		Bank
	ECM	Sensor	
P0138	76	4	1
P0158	80	4	2

Continuity should not exist.

3. Also check harness for short to power.

OK or NG

OK >> GO TO 5.

NG >> Repair open circuit or short to ground or short to power in harness or connectors.

5. CHECK HEATED OXYGEN SENSOR 2

Refer to [EC-296, "Component Inspection"](#) .

OK or NG

- OK >> GO TO 6.
 NG >> Replace malfunctioning heated oxygen sensor 2.

6. CHECK INTERMITTENT INCIDENT

Refer to [EC-141, "TROUBLE DIAGNOSIS FOR INTERMITTENT INCIDENT"](#) .

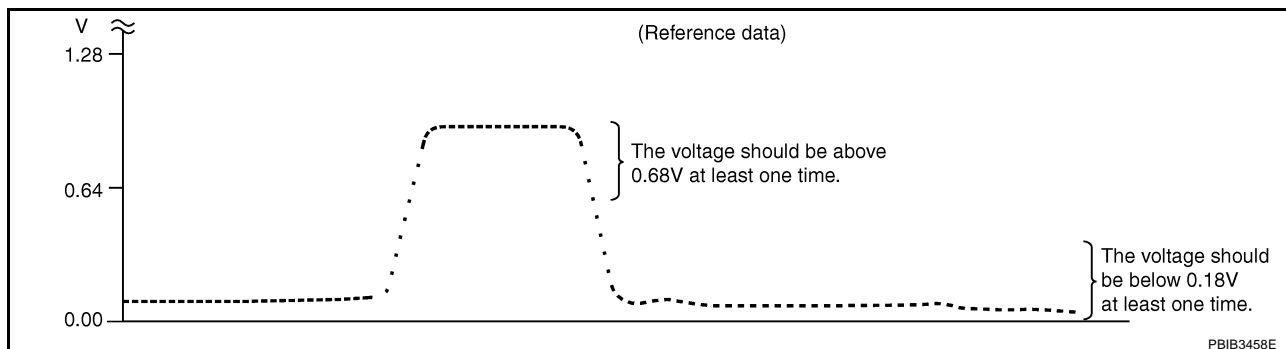
>> INSPECTION END

Component Inspection HEATED OXYGEN SENSOR 2

NBS0006P

Ⓟ With CONSULT-III

1. Turn ignition switch ON and select "DATA MONITOR" mode with CONSULT-III.
2. Start engine and warm it up to the normal operating temperature.
3. Turn ignition switch OFF and wait at least 10 seconds.
4. Start engine and keep the engine speed between 3,500 and 4,000 rpm for at least 1 minute under no load.
5. Let engine idle for 1 minute.
6. Select "FUEL INJECTION" in "ACTIVE TEST" mode, and select "HO2S2 (B1)/(B2)" as the monitor item with CONSULT-III.
7. Check "HO2S2 (B1)/(B2)" at idle speed when adjusting "FUEL INJECTION" to $\pm 25\%$.



"HO2S2 (B1)/(B2)" should be above 0.68V at least once when the "FUEL INJECTION" is +25%.
 "HO2S2 (B1)/(B2)" should be below 0.18V at least once when the "FUEL INJECTION" is -25%.

CAUTION:

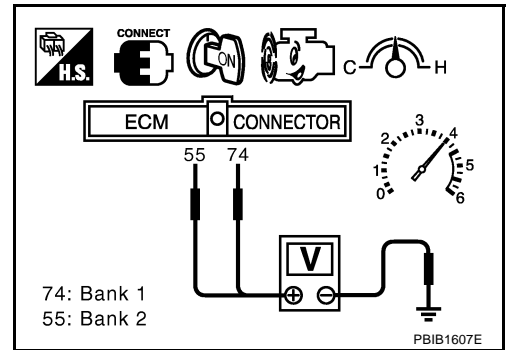
- Discard any heated oxygen sensor which has been dropped from a height of more than 0.5 m (19.7 in) onto a hard surface such as a concrete floor; use a new one.
- Before installing new oxygen sensor, clean exhaust system threads using Oxygen Sensor Thread Cleaner tool J-43897-18 or J-43897-12 and approved anti-seize lubricant.

ⓧ Without CONSULT-III

1. Start engine and warm it up to the normal operating temperature.
2. Turn ignition switch OFF and wait at least 10 seconds.
3. Start engine and keep the engine speed between 3,500 and 4,000 rpm for at least 1 minute under no load.
4. Let engine idle for 1 minute.
5. Set voltmeter probes between ECM terminal 76 [HO2S2 (B1) signal] or 80 [HO2S2 (B2) signal] and ground.

DTC P0138, P0158 HO2S2

6. Check the voltage when revving up to 4,000 rpm under no load at least 10 times.
(Depress and release accelerator pedal as soon as possible.)
The voltage should be above 0.68V at least once during this procedure.
If the voltage is above 0.68V at step 6, step 7 is not necessary.
7. Keep vehicle at idling for 10 minutes, then check voltage. Or check the voltage when coasting from 80 km/h (50 MPH) in D position (A/T), 4th gear position (M/T).
The voltage should be below 0.18V at least once during this procedure.
8. If NG, replace heated oxygen sensor 2.



CAUTION:

- Discard any heated oxygen sensor which has been dropped from a height of more than 0.5 m (19.7 in) onto a hard surface such as a concrete floor; use a new one.
- Before installing new oxygen sensor, clean exhaust system threads using Oxygen Sensor Thread Cleaner tool J-43897-18 or J-43897-12 and approved anti-seize lubricant.

Removal and Installation HEATED OXYGEN SENSOR 2

NBS0006Q

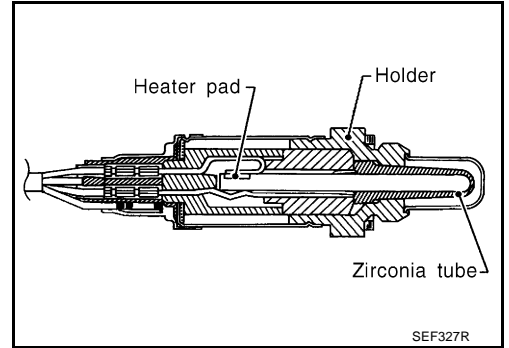
Refer to [EM-22, "EXHAUST MANIFOLD AND THREE WAY CATALYST"](#) .

DTC P0139, P0159 HO2S2

Component Description

NBS0006R

The heated oxygen sensor 2, after three way catalyst 1, monitors the oxygen level in the exhaust gas on each bank. Even if switching characteristics of the air fuel ratio (A/F) sensor 1 are shifted, the air-fuel ratio is controlled to stoichiometric, by the signal from the heated oxygen sensor 2. This sensor is made of ceramic zirconia. The zirconia generates voltage from approximately 1V in richer conditions to 0V in leaner conditions. Under normal conditions the heated oxygen sensor 2 is not used for engine control operation.



CONSULT-III Reference Value in Data Monitor Mode

NBS0006S

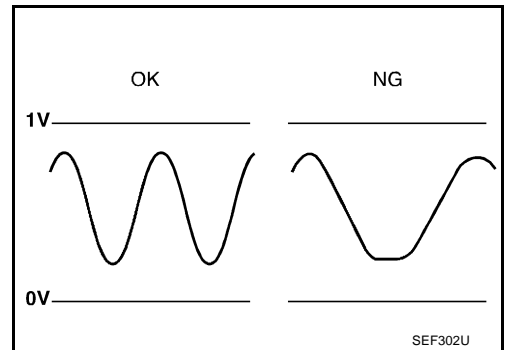
Specification data are reference values.

MONITOR ITEM	CONDITION	SPECIFICATION
HO2S2 (B1) HO2S2 (B2)	<ul style="list-style-type: none"> ● Revving engine from idle to 3,000 rpm quickly after the following conditions are met <ul style="list-style-type: none"> - Engine: After warming up - Keeping the engine speed between 3,500 and 4,000 rpm for 1 minute and at idle for 1 minute under no load 	0 - 0.3V ↔ Approx. 0.6 - 1.0V
HO2S2 MNTR(B1) HO2S2 MNTR(B2)	<ul style="list-style-type: none"> ● Revving engine from idle to 3,000 rpm quickly after the following conditions are met <ul style="list-style-type: none"> - Engine: After warming up - Keeping the engine speed between 3,500 and 4,000 rpm for 1 minute and at idle for 1 minute under no load 	LEAN ↔ RICH

On Board Diagnosis Logic

NBS0006T

The heated oxygen sensor 2 has a much longer switching time between rich and lean than the air fuel ratio (A/F) sensor 1. The oxygen storage capacity before the three way catalyst 1 causes the longer switching time. To judge the malfunctions of heated oxygen sensor 2, ECM monitors whether the switching response of the sensor's voltage is faster than specified during the various driving condition such as fuel-cut.



DTC No.	Trouble diagnosis name	DTC detecting condition	Possible cause
P0139 0139 (Bank 1)	Heated oxygen sensor 2 circuit slow response	It takes more time for the sensor to respond between rich and lean than the specified time.	<ul style="list-style-type: none"> ● Harness or connectors (The sensor circuit is open or shorted) ● Heated oxygen sensor 2 ● Fuel pressure ● Fuel injector ● Intake air leaks
P0159 0159 (Bank 2)			

DTC Confirmation Procedure

NOTE:

If DTC Confirmation Procedure has been previously conducted, always turn ignition switch OFF and wait at least 10 seconds before conducting the next test.

WITH CONSULT-III

TESTING CONDITION:

For better results, perform "DTC WORK SUPPORT" at a temperature of 0 to 30 °C (32 to 86 °F).

1. Start engine and warm it up to the normal operating temperature.
2. Turn ignition switch OFF and wait at least 10 seconds.
3. Start engine and keep the engine speed between 3,500 and 4,000 rpm for at least 1 minute under no load.
4. Let engine idle for 1 minute.
5. Make sure that "COOLAN TEMP/S" indicates more than 70°C (158°F).
If not, warm up engine and go to next step when "COOLAN TEMP/S" indication reaches to 70°C (158°F).
6. Select "HO2S2 (B1) P0139" or "HO2S2 (B2) P0159" of "HO2S2" in "DTC WORK SUPPORT" mode with CONSULT-III.
7. Start engine and following the instruction of CONSULT-III.

NOTE:

It will take at most 10 minutes until "COMPLETED" is displayed.

8. Make sure that "OK" is displayed after touching "SELF-DIAG RESULTS".
If "NG" is displayed, refer to [EC-319, "Diagnostic Procedure"](#).
If "CAN NOT BE DIAGNOSED" is displayed, perform the following.
 - a. Turn ignition switch OFF and leave the vehicle in a cool place (soak the vehicle).
 - b. Return to step 1.

Overall Function Check

Use this procedure to check the overall function of the heated oxygen sensor 2 circuit. During this check, a 1st trip DTC might not be confirmed.

WITH GST

1. Start engine and warm it up to the normal operating temperature.
2. Turn ignition switch OFF and wait at least 10 seconds.
3. Start engine and keep the engine speed between 3,500 and 4,000 rpm for at least 1 minute under no load.
4. Let engine idle for 1 minute.
5. Set voltmeter probes between ECM terminal 76 [HO2S2 (B1) signal] or 80 [HO2S2 (B2) signal] and ground.

6. Check the voltage when revving up to 4,000 rpm under no load at least 10 times.

(Depress and release accelerator pedal as soon as possible.)

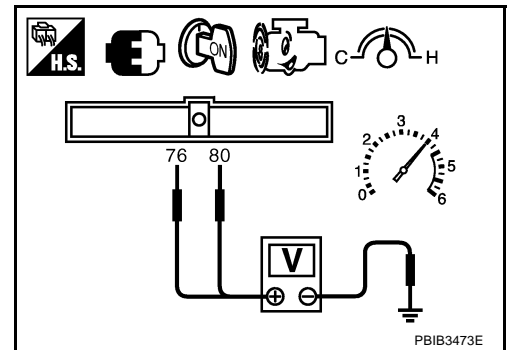
A change of voltage should be more than 0.24V for 1 second during this procedure.

If the voltage can be confirmed in step 6, step 7 is not necessary.

7. Keep vehicle at idling for 10 minutes, then check the voltage. Or check the voltage when coasting from 80 km/h (50 MPH) in D position (A/T), 4th gear position (M/T).

A change of voltage should be more than 0.24V for 1 second during this procedure.

8. If NG, go to [EC-319, "Diagnostic Procedure"](#).

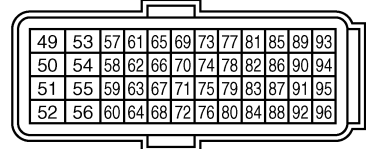
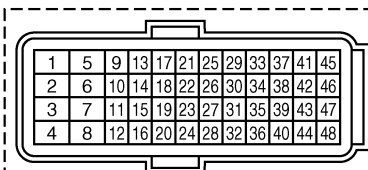
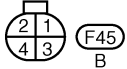
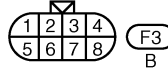
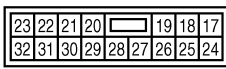
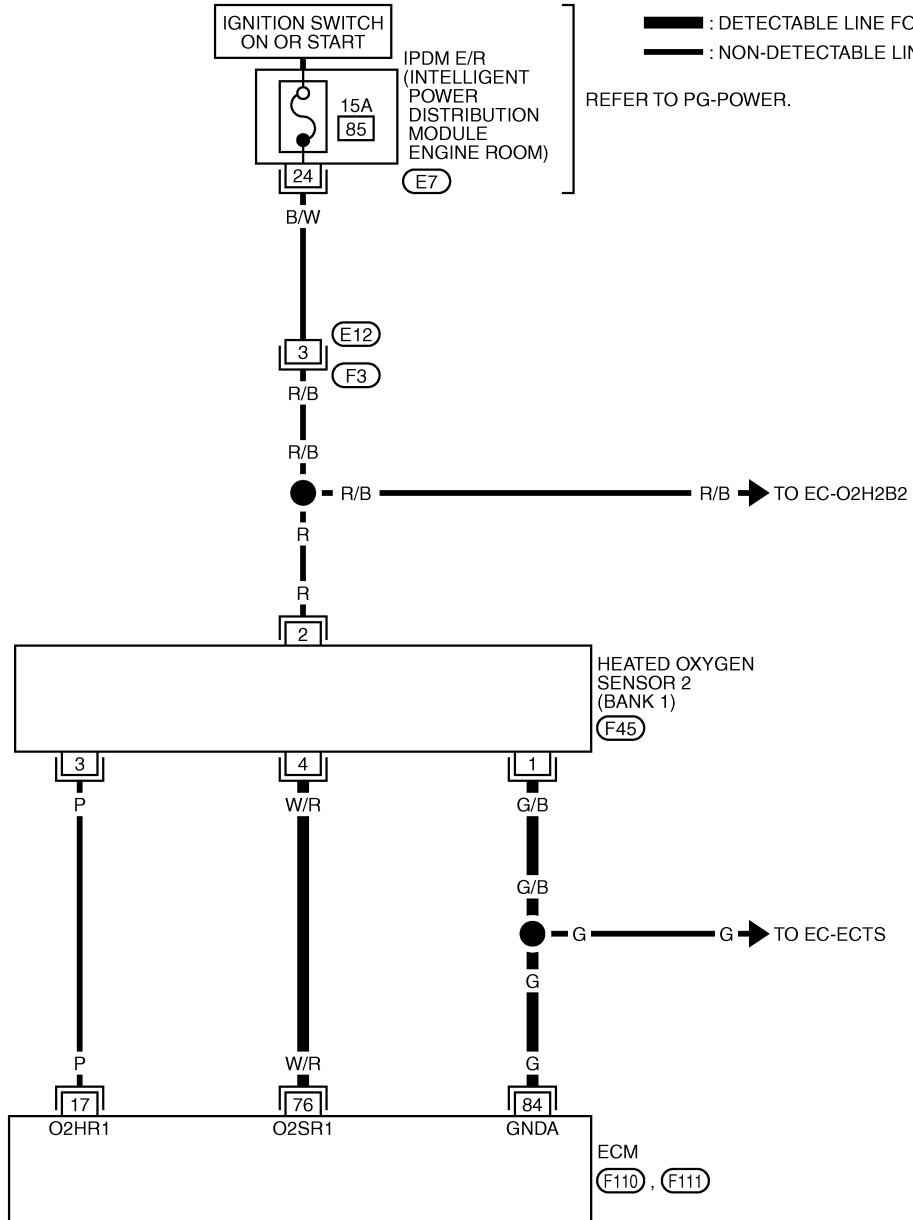


DTC P0139, P0159 HO2S2

Wiring Diagram BANK 1

NBS006UU

EC-O2S2B1-01



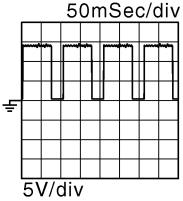
TBWT1634E

DTC P0139, P0159 HO2S2

Specification data are reference values and are measured between each terminal and ground.

CAUTION:

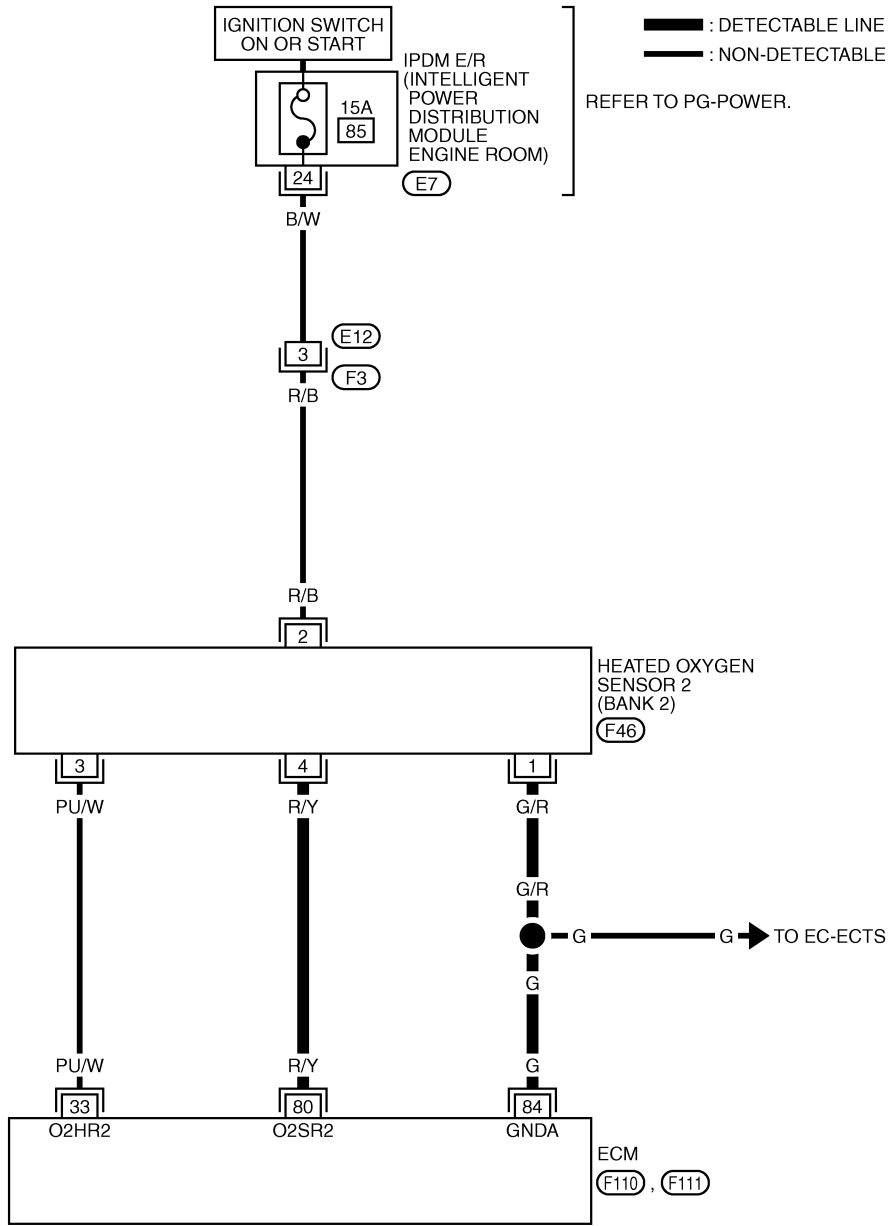
Do not use ECM ground terminals when measuring input/output voltage. Doing so may result in damage to the ECM's transistor. Use a ground other than ECM terminals, such as the ground.

TER-MINAL NO.	WIRE COLOR	ITEM	CONDITION	DATA (DC Voltage)
17	P	Heated oxygen sensor 2 heater (bank 1)	<p>[Engine is running]</p> <ul style="list-style-type: none"> ● Engine speed: Below 3,600 rpm after the following conditions are met. – Engine: After warming up – Keeping the engine speed between 3,500 and 4,000 rpm for 1 minute and at idle for 1 minute under no load. 	<p>0 - 14V★</p>  <p style="text-align: right; font-size: small;">PBB3545E</p>
			<p>[Ignition switch: ON]</p> <ul style="list-style-type: none"> ● Engine stopped <p>[Engine is running]</p> <ul style="list-style-type: none"> ● Engine speed: Above 3,600 rpm 	<p>BATTERY VOLTAGE (11 - 14V)</p>
76	W/R	Heated oxygen sensor 2 (bank 1)	<p>[Engine is running]</p> <ul style="list-style-type: none"> ● Revving engine from idle to 3,000 rpm quickly after the following conditions are met. – Engine: After warming up – Keeping the engine speed between 3,500 and 4,000 rpm for 1 minute and at idle for 1 minute under no load. 	0 - 1.0V
84	G	Sensor ground (Heated oxygen sensor 2, Engine coolant temperature sensor, Engine oil temperature sensor)	<p>[Engine is running]</p> <ul style="list-style-type: none"> ● Warm-up condition ● Idle speed 	0V

DTC P0139, P0159 HO2S2

BANK 2

EC-O2S2B2-01



23	22	21	20	19	18	17		
32	31	30	29	28	27	26	25	24

(E7) GY

1	2	3	4
5	6	7	8

(F3) B

2	1
4	3

(F46) B

1	5	9	13	17	21	25	29	33	37	41	45
2	6	10	14	18	22	26	30	34	38	42	46
3	7	11	15	19	23	27	31	35	39	43	47
4	8	12	16	20	24	28	32	36	40	44	48

(F110) B

49	53	57	61	65	69	73	77	81	85	89	93
50	54	58	62	66	70	74	78	82	86	90	94
51	55	59	63	67	71	75	79	83	87	91	95
52	56	60	64	68	72	76	80	84	88	92	96

(F111) BR

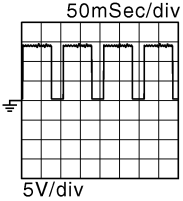
TBWT1635E

DTC P0139, P0159 HO2S2

Specification data are reference values and are measured between each terminal and ground.

CAUTION:

Do not use ECM ground terminals when measuring input/output voltage. Doing so may result in damage to the ECM's transistor. Use a ground other than ECM terminals, such as the ground.

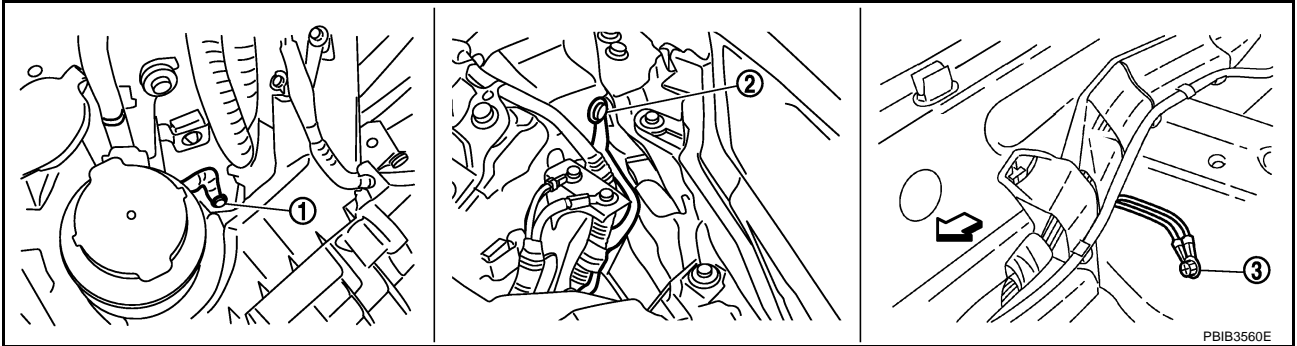
TER-MINAL NO.	WIRE COLOR	ITEM	CONDITION	DATA (DC Voltage)
33	PU/W	Heated oxygen sensor 2 heater (bank 2)	<p>[Engine is running]</p> <ul style="list-style-type: none"> ● Engine speed: Below 3,600 rpm after the following conditions are met. – Engine: After warming up – Keeping the engine speed between 3,500 and 4,000 rpm for 1 minute and at idle for 1 minute under no load. 	<p>0 - 14V★</p>  <p style="text-align: right;">PBB3545E</p>
			<p>[Ignition switch: ON]</p> <ul style="list-style-type: none"> ● Engine stopped <p>[Engine is running]</p> <ul style="list-style-type: none"> ● Engine speed: Above 3,600 rpm 	<p>BATTERY VOLTAGE (11 - 14V)</p>
80	R/Y	Heated oxygen sensor 2 (bank 2)	<p>[Engine is running]</p> <ul style="list-style-type: none"> ● Revving engine from idle to 3,000 rpm quickly after the following conditions are met. – Engine: After warming up – Keeping the engine speed between 3,500 and 4,000 rpm for 1 minute and at idle for 1 minute under no load. 	0 - 1.0V
84	G	Sensor ground (Heated oxygen sensor 2, Engine coolant temperature sensor, Engine oil temperature sensor)	<p>[Engine is running]</p> <ul style="list-style-type: none"> ● Warm-up condition ● Idle speed 	0V

Diagnostic Procedure

1. CHECK GROUND CONNECTIONS

Models with VDC system, navigation system or telephone

1. Turn ignition switch OFF.
2. Loosen and retighten ground screws on the body. Refer to [EC-150, "Ground Inspection"](#) .



1. Body ground E17

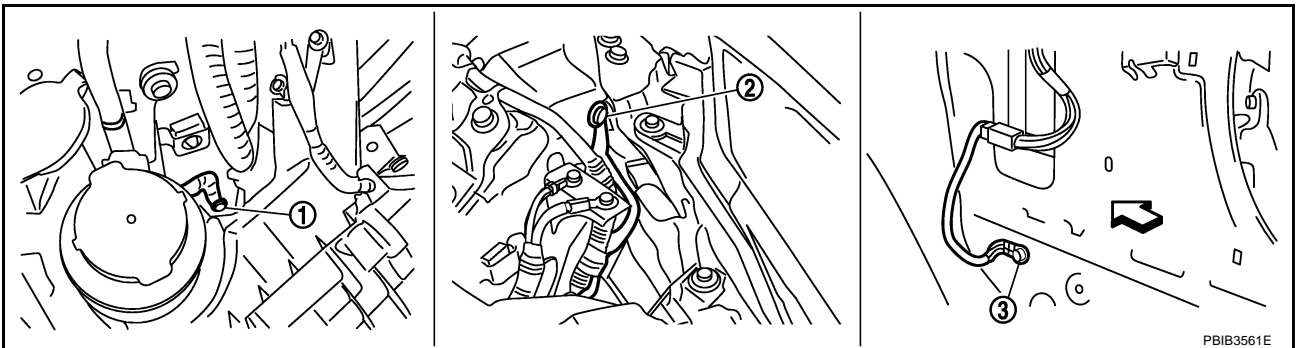
2. Body ground E43

3. Body ground B102

↔ Vehicle front

Models without VDC system, navigation system and telephone

1. Turn ignition switch OFF.
2. Loosen and retighten ground screws on the body. Refer to [EC-150, "Ground Inspection"](#) .



1. Body ground E17

2. Body ground E43

3. Body ground F152
(Passenger side view with dash side finisher removed)

↔ Vehicle front

OK or NG

- OK >> GO TO 2.
- NG >> Repair or replace ground connections.

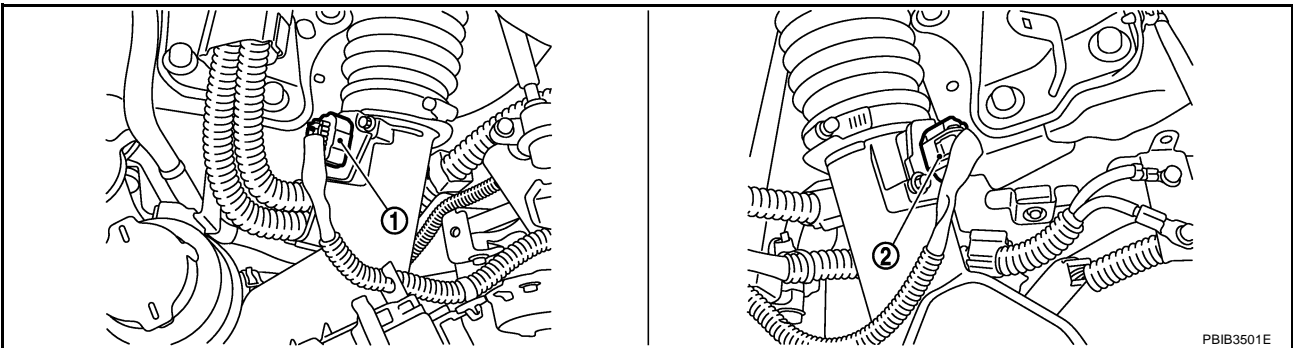
2. CLEAR THE SELF-LEARNING DATA

☑ With CONSULT-III

1. Start engine and warm it up to normal operating temperature.
2. Select "SELF-LEARNING CONT" in "WORK SUPPORT" mode with CONSULT-III.
3. Clear the self-learning control coefficient by touching "CLEAR".
4. Run engine for at least 10 minutes at idle speed.
Is the 1st trip DTC P0171, P0172, P0174 or P0175 detected?
Is it difficult to start engine?

☒ Without CONSULT-III

1. Start engine and warm it up to normal operating temperature.
2. Turn ignition switch OFF.
3. Disconnect mass air flow sensor (bank 1) harness connector, and restart and run engine for at least 5 seconds at idle speed.



1. Mass air flow sensor (with intake air temperature sensor) (bank 1)
2. Mass air flow sensor (with intake air temperature sensor) (bank 2)

4. Stop engine and reconnect mass air flow sensor (bank 1) harness connector.
5. Make sure DTC P0102 is displayed.
6. Erase the DTC memory. Refer to [EC-61, "HOW TO ERASE EMISSION-RELATED DIAGNOSTIC INFORMATION"](#).
7. Make sure DTC P0000 is displayed.
8. Run engine for at least 10 minutes at idle speed.
Is the 1st trip DTC P0171, P0172, P0174 or P0175 detected?
Is it difficult to start engine?

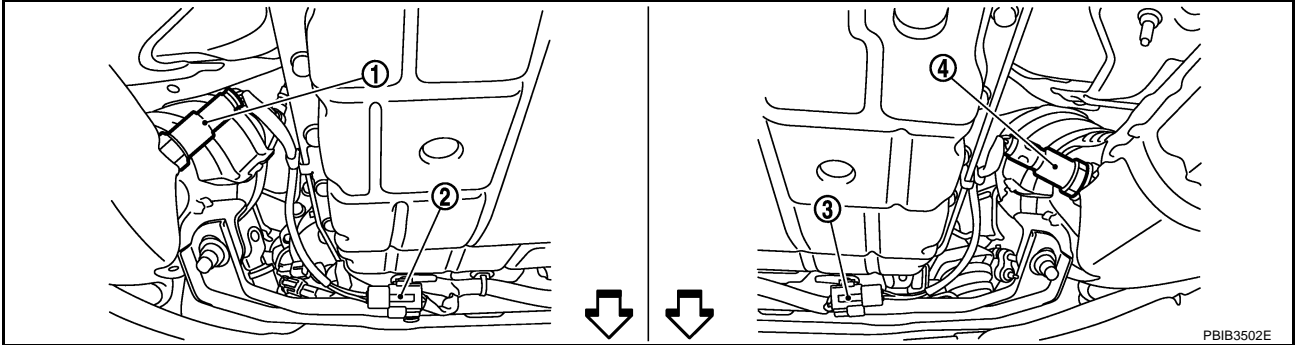
Yes or No

- Yes >> Perform trouble diagnosis for DTC P0171, P0174 or P0172, P0175. Refer to [EC-324, "DTC P0171, P0174 FUEL INJECTION SYSTEM FUNCTION"](#) or [EC-334, "DTC P0172, P0175 FUEL INJECTION SYSTEM FUNCTION"](#).
- No >> GO TO 3.

DTC P0139, P0159 HO2S2

3. CHECK HO2S2 GROUND CIRCUIT FOR OPEN AND SHORT

1. Turn ignition switch OFF.
2. Disconnect heated oxygen sensor 2 harness connector.



1. Heated oxygen sensor 2 (bank 2) 2. Heated oxygen sensor 2 (bank 2) harness connector 3. Heated oxygen sensor 2 (bank 1) harness connector
4. Heated oxygen sensor 2 (bank 1) harness connector

←: Vehicle front

3. Disconnect ECM harness connector.
4. Check harness continuity between HO2S2 terminal 1 and ECM terminal 84. Refer to Wiring Diagram.

Continuity should exist.

5. Also check harness for short to ground and short to power.

OK or NG

OK >> GO TO 4.

NG >> Repair open circuit or short to ground or short to power in harness or connectors.

4. CHECK HO2S2 INPUT SIGNAL CIRCUIT FOR OPEN AND SHORT

1. Check harness continuity between ECM terminal and HO2S2 terminal as follows. Refer to Wiring Diagram.

DTC	Terminals		Bank
	ECM	Sensor	
P0139	76	4	1
P0159	80	4	2

Continuity should exist.

2. Check harness continuity between the following terminals and ground. Refer to Wiring Diagram.

DTC	Terminals		Bank
	ECM	Sensor	
P0139	76	4	1
P0159	80	4	2

Continuity should not exist.

3. Also check harness for short to power.

OK or NG

OK >> GO TO 5.

NG >> Repair open circuit or short to ground or short to power in harness or connectors.

5. CHECK HEATED OXYGEN SENSOR 2

Refer to [EC-322, "Component Inspection"](#) .

OK or NG

- OK >> GO TO 6.
- NG >> Replace malfunctioning heated oxygen sensor 2.

6. CHECK INTERMITTENT INCIDENT

Refer to [EC-141, "TROUBLE DIAGNOSIS FOR INTERMITTENT INCIDENT"](#) .

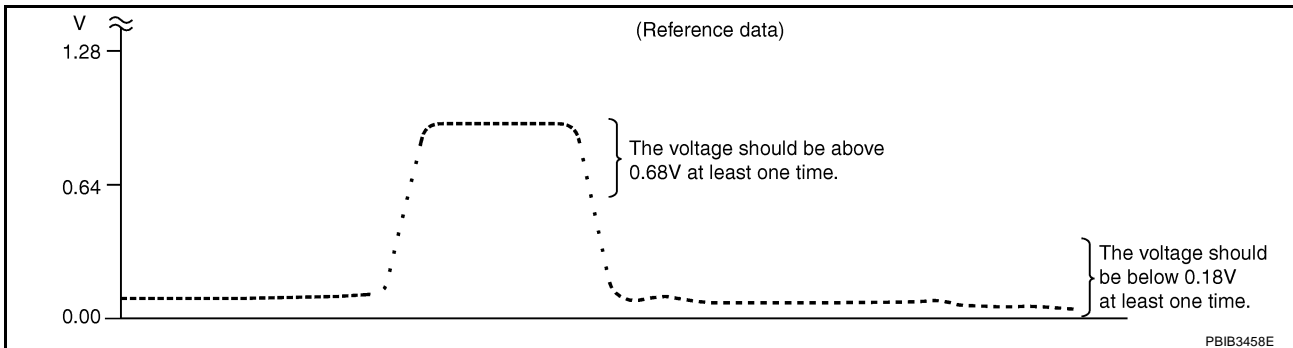
>> INSPECTION END

Component Inspection HEATED OXYGEN SENSOR 2

NBS006UW

④ With CONSULT-III

1. Turn ignition switch ON and select "DATA MONITOR" mode with CONSULT-III.
2. Start engine and warm it up to the normal operating temperature.
3. Turn ignition switch OFF and wait at least 10 seconds.
4. Start engine and keep the engine speed between 3,500 and 4,000 rpm for at least 1 minute under no load.
5. Let engine idle for 1 minute.
6. Select "FUEL INJECTION" in "ACTIVE TEST" mode, and select "HO2S2 (B1)/(B2)" as the monitor item with CONSULT-III.
7. Check "HO2S2 (B1)/(B2)" at idle speed when adjusting "FUEL INJECTION" to $\pm 25\%$.



"HO2S2 (B1)/(B2)" should be above 0.68V at least once when the "FUEL INJECTION" is +25%.

"HO2S2 (B1)/(B2)" should be below 0.18V at least once when the "FUEL INJECTION" is -25%.

CAUTION:

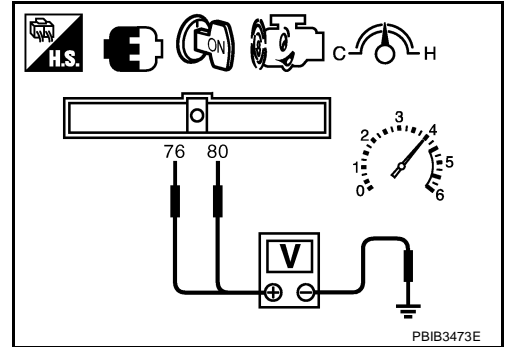
- Discard any heated oxygen sensor which has been dropped from a height of more than 0.5 m (19.7 in) onto a hard surface such as a concrete floor; use a new one.
- Before installing new oxygen sensor, clean exhaust system threads using Oxygen Sensor Thread Cleaner tool J-43897-18 or J-43897-12 and approved anti-seize lubricant.

⊗ Without CONSULT-III

1. Start engine and warm it up to the normal operating temperature.
2. Turn ignition switch OFF and wait at least 10 seconds.
3. Start engine and keep the engine speed between 3,500 and 4,000 rpm for at least 1 minute under no load.
4. Let engine idle for 1 minute.
5. Set voltmeter probes between ECM terminal 76 [HO2S2 (B1) signal] or 80 [HO2S2 (B2) signal] and ground.

DTC P0139, P0159 HO2S2

6. Check the voltage when revving up to 4,000 rpm under no load at least 10 times.
(Depress and release accelerator pedal as soon as possible.)
The voltage should be above 0.68V at least once during this procedure.
If the voltage is above 0.68V at step 6, step 7 is not necessary.
7. Keep vehicle at idling for 10 minutes, then check voltage. Or check the voltage when coasting from 80 km/h (50 MPH) in D position (A/T), 4th gear position (M/T).
The voltage should be below 0.18V at least once during this procedure.
8. If NG, replace heated oxygen sensor 2.



CAUTION:

- Discard any heated oxygen sensor which has been dropped from a height of more than 0.5 m (19.7 in) onto a hard surface such as a concrete floor; use a new one.
- Before installing new oxygen sensor, clean exhaust system threads using Oxygen Sensor Thread Cleaner tool J-43897-18 or J-43897-12 and approved anti-seize lubricant.

Removal and Installation HEATED OXYGEN SENSOR 2

NBS006UX

Refer to [EM-22. "EXHAUST MANIFOLD AND THREE WAY CATALYST"](#) .

DTC P0171, P0174 FUEL INJECTION SYSTEM FUNCTION

DTC P0171, P0174 FUEL INJECTION SYSTEM FUNCTION

PFPP:16600

On Board Diagnosis Logic

NBS00070

With the Air/Fuel Mixture Ratio Self-Learning Control, the actual mixture ratio can be brought closely to the theoretical mixture ratio based on the mixture ratio feedback signal from the air fuel ratio (A/F) sensors 1. The ECM calculates the necessary compensation to correct the offset between the actual and the theoretical ratios.

In case the amount of the compensation value is extremely large (The actual mixture ratio is too lean.), the ECM judges the condition as the fuel injection system malfunction and lights up the MIL (2 trip detection logic).

Sensor	Input signal to ECM	ECM function	Actuator
Air fuel ratio (A/F) sensor 1	Density of oxygen in exhaust gas (Mixture ratio feedback signal)	Fuel injection control	Fuel injector

DTC No.	Trouble diagnosis name	DTC detecting condition	Possible cause
P0171 0171 (Bank 1)	Fuel injection system too lean	<ul style="list-style-type: none"> Fuel injection system does not operate properly. The amount of mixture ratio compensation is too large. (The mixture ratio is too lean.) 	<ul style="list-style-type: none"> Intake air leaks Air fuel ratio (A/F) sensor 1 Fuel injector Exhaust gas leaks Incorrect fuel pressure Lack of fuel Mass air flow sensor Incorrect PCV hose connection
P0174 0174 (Bank 2)			

DTC Confirmation Procedure

NBS00071

NOTE:

If DTC Confirmation Procedure has been previously conducted, always turn ignition switch OFF and wait at least 10 seconds before conducting the next test.

WITH CONSULT-III

- Start engine and warm it up to normal operating temperature.
- Turn ignition switch OFF and wait at least 10 seconds.
- Turn ignition switch ON and select "SELF-LEARNING CONT" in "WORK SUPPORT" mode with CONSULT-III.
- Clear the self-learning control coefficient by touching "CLEAR".
- Start engine again and let it idle for at least 10 minutes.
- Check 1st trip DTC.
The 1st trip DTC P0171 or P0174 should be detected at this stage, if a malfunction exists. If so, go to [EC-330, "Diagnostic Procedure"](#).

NOTE:

If 1st trip DTC is not detected during above procedure, performing the following procedure is advised.

- Turn ignition switch OFF and wait at least 10 seconds.
- Start engine and select "DATA MONITOR" mode with CONSULT-III.
- Drive the vehicle under the similar conditions to (1st trip) Freeze Frame Data for 10 minutes.
Refer to the table below.

Hold the accelerator pedal as steady as possible.

The similar conditions to (1st trip) Freeze Frame Data means the vehicle operation that the following conditions should be satisfied at the same time.

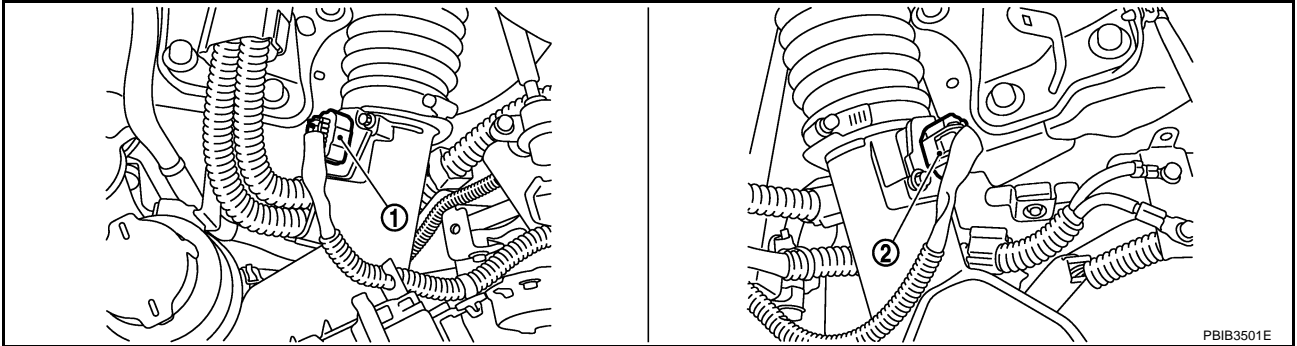
Engine speed	Engine speed in the freeze frame data \pm 400 rpm
Vehicle speed	Vehicle speed in the freeze frame data \pm 10 km/h (6 MPH)
Engine coolant temperature (T) condition	When the freeze frame data shows lower than 70 °C (158 °F), T should be lower than 70 °C (158 °F).
	When the freeze frame data shows higher than or equal to 70 °C (158 °F), T should be higher than or equal to 70 °C (158 °F).

DTC P0171, P0174 FUEL INJECTION SYSTEM FUNCTION

7. If it is difficult to start engine at step 6, the fuel injection system has a malfunction, too.
8. Crank engine while depressing accelerator pedal. If engine starts, go to [EC-330, "Diagnostic Procedure"](#). If engine does not start, check exhaust and intake air leak visually.

WITH GST

1. Start engine and warm it up to normal operating temperature.
2. Turn ignition switch OFF and wait at least 10 seconds.
3. Disconnect mass air flow sensor (bank 1) harness connector.



1. Mass air flow sensor (with intake air temperature sensor) (bank 1)
2. Mass air flow sensor (with intake air temperature sensor) (bank 2)

4. Restart engine and let it idle for at least 5 seconds.
5. Stop engine and reconnect mass air flow sensor (bank 1) harness connector.
6. Select Service \$03 with GST. Make sure DTC P0102 is detected.
7. Select Service \$04 with GST and erase the DTC P0102.
8. Start engine again and let it idle for at least 10 minutes.
9. Select Service \$07 with GST. The 1st trip DTC P0171 or P0174 should be detected at this stage, if a malfunction exists. If so, go to [EC-330, "Diagnostic Procedure"](#).

NOTE:

If 1st trip DTC is not detected during above procedure, performing the following procedure is advised.

- a. Turn ignition switch OFF and wait at least 10 seconds.
- b. Start engine and drive the vehicle under the similar conditions to (1st trip) Freeze Frame Data for 10 minutes. Refer to the table below.

Hold the accelerator pedal as steady as possible.

The similar conditions to (1st trip) Freeze Frame Data means the vehicle operation that the following conditions should be satisfied at the same time.

Engine speed	Engine speed in the freeze frame data \pm 400 rpm
Vehicle speed	Vehicle speed in the freeze frame data \pm 10 km/h (6 MPH)
Engine coolant temperature (T) condition	When the freeze frame data shows lower than 70 °C (158 °F), T should be lower than 70 °C (158 °F).
	When the freeze frame data shows higher than or equal to 70 °C (158 °F), T should be higher than or equal to 70 °C (158 °F).

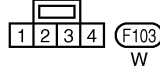
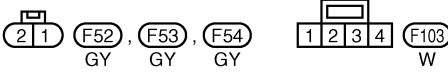
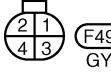
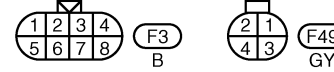
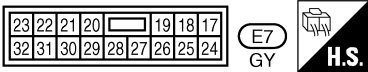
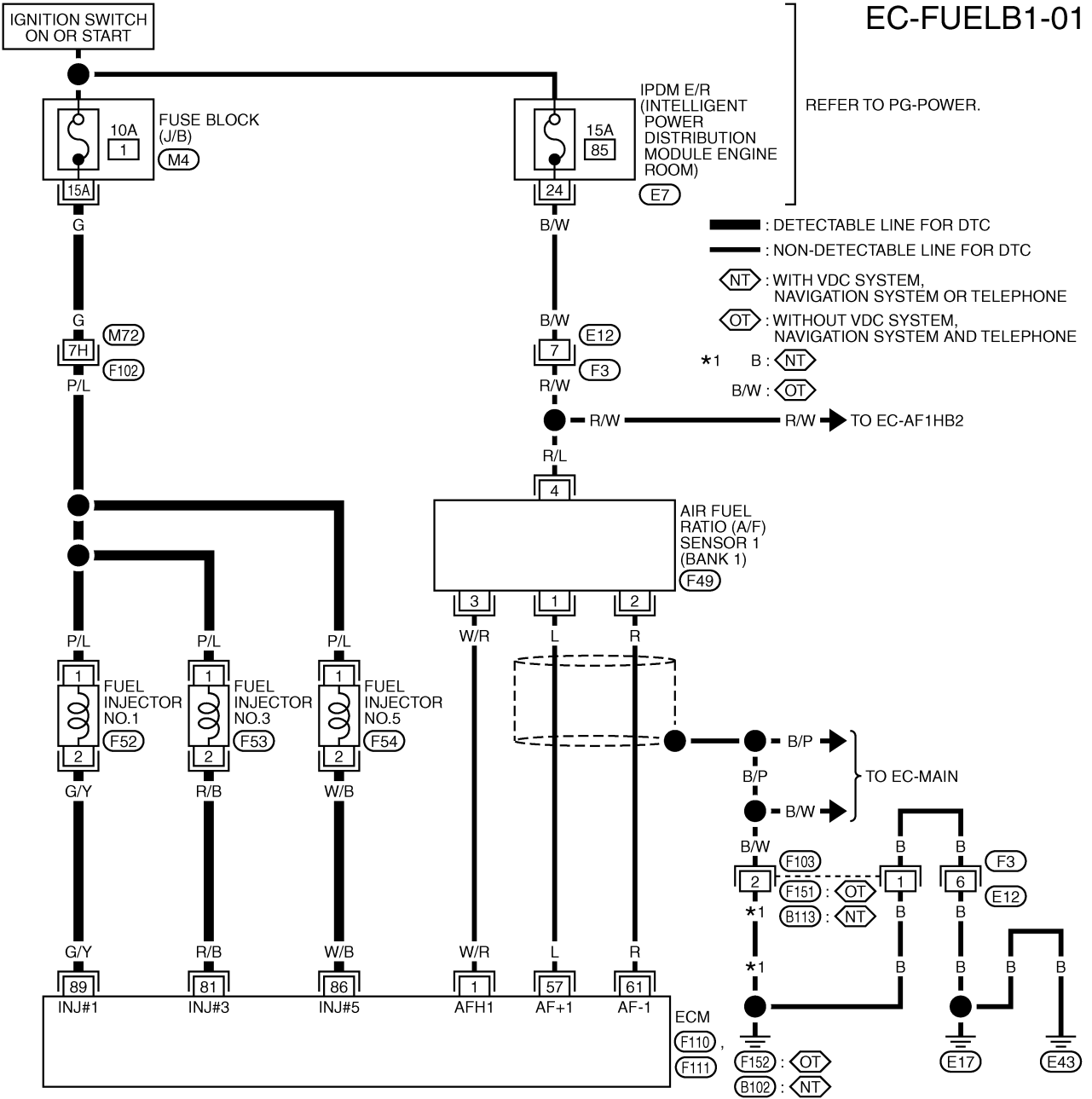
10. If it is difficult to start engine at step 8, the fuel injection system has a malfunction.
11. Crank engine while depressing accelerator pedal. If engine starts, go to [EC-330, "Diagnostic Procedure"](#). If engine does not start, check exhaust and intake air leak visually.

DTC P0171, P0174 FUEL INJECTION SYSTEM FUNCTION

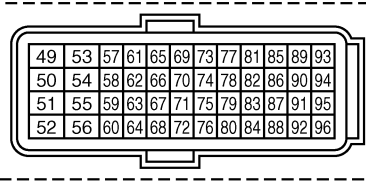
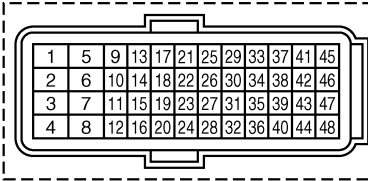
NBS00072

Wiring Diagram BANK 1

EC-FUELB1-01



REFER TO THE FOLLOWING.
 (F102) -SUPER MULTIPLE JUNCTION (SMJ)
 (M4) -FUSE BLOCK-JUNCTION BOX (J/B)



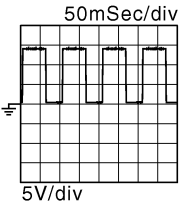
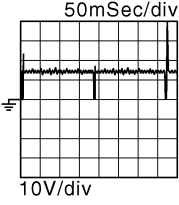
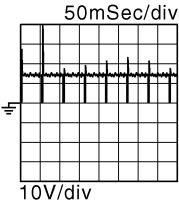
TBWT1636E

DTC P0171, P0174 FUEL INJECTION SYSTEM FUNCTION

Specification data are reference values and are measured between each terminal and ground.
Pulse signal is measured by CONSULT-III.

CAUTION:

Do not use ECM ground terminals when measuring input/output voltage. Doing so may result in damage to the ECM's transistor. Use a ground other than ECM terminals, such as the ground.

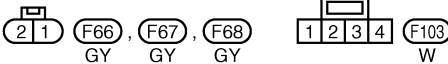
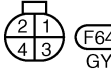
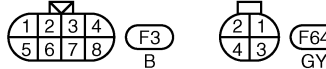
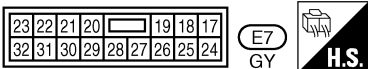
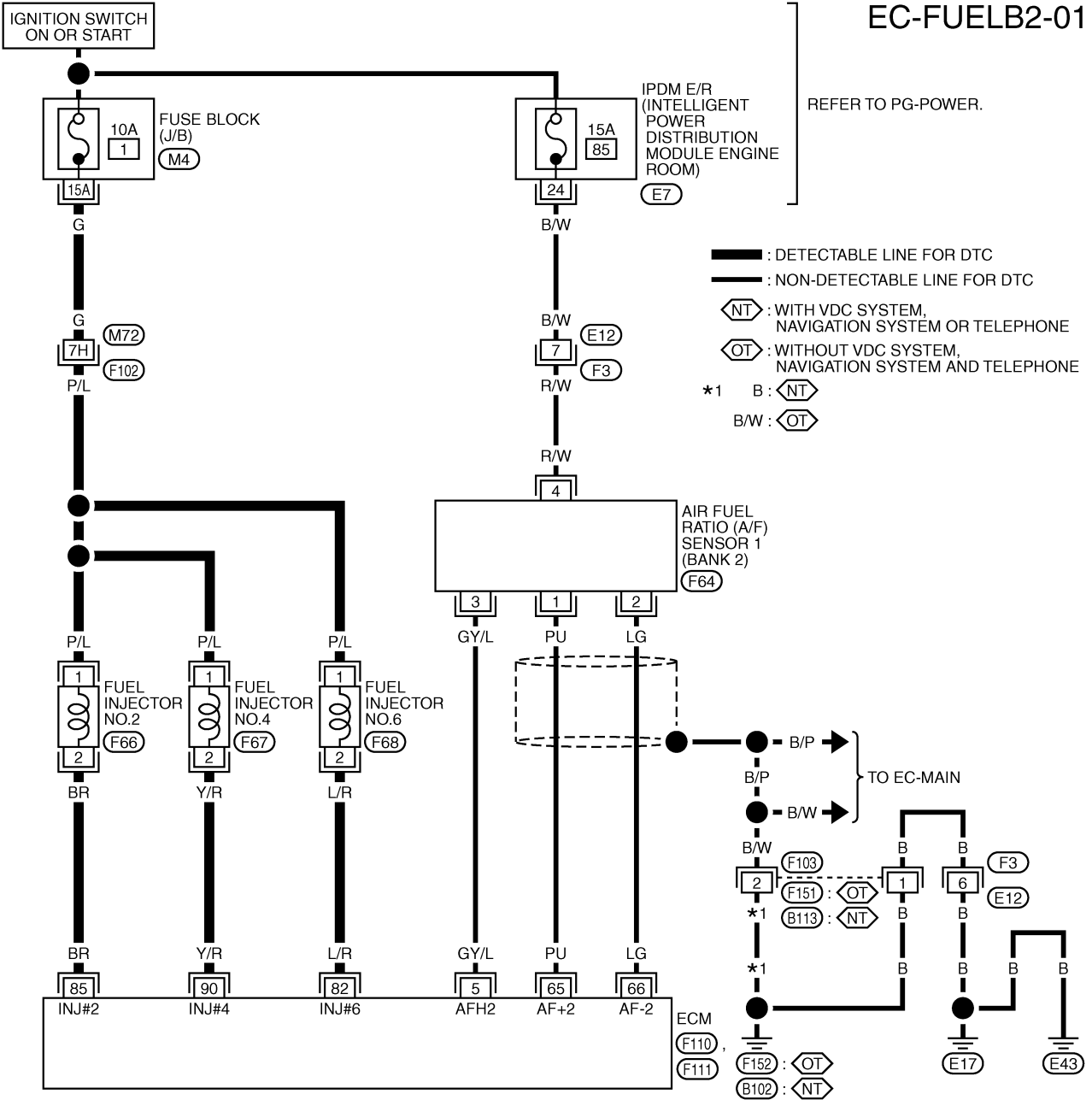
TER-MINAL NO.	WIRE COLOR	ITEM	CONDITION	DATA (DC Voltage)
1	W/R	A/F sensor 1 heater (bank 1)	<p>[Engine is running]</p> <ul style="list-style-type: none"> ● Warm-up condition ● Idle speed (More than 140 seconds after starting engine) 	<p>2.9 - 8.8V★</p> 
57	L	A/F sensor 1 (bank 1)	[Ignition switch: ON]	2.2V
61	R	A/F sensor 1 (bank 1)	<p>[Ignition switch: ON]</p> <ul style="list-style-type: none"> ● Warm-up condition ● Engine speed: 2,000 rpm 	<p>1.8V</p> <p>Output voltage varies with air fuel ratio.</p>
81 86 89	R/B W/B G/Y	Fuel injector No. 3 Fuel injector No. 5 Fuel injector No. 1	<p>[Engine is running]</p> <ul style="list-style-type: none"> ● Warm-up condition ● Idle speed <p>NOTE: The pulse cycle changes depending on rpm at idle.</p>	<p>BATTERY VOLTAGE (11 - 14V)★</p> 
			<p>[Engine is running]</p> <ul style="list-style-type: none"> ● Warm-up condition ● Engine speed: 2,000 rpm 	<p>BATTERY VOLTAGE (11 - 14V)★</p> 

A
EC
C
D
E
F
G
H
I
J
K
L
M

DTC P0171, P0174 FUEL INJECTION SYSTEM FUNCTION

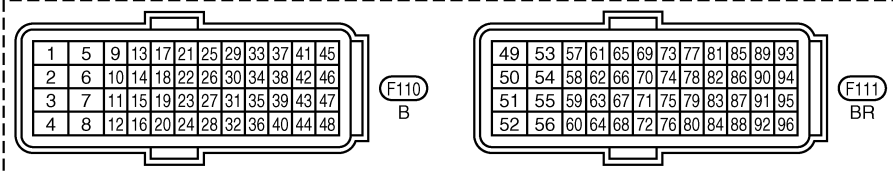
BANK 2

EC-FUELB2-01



REFER TO THE FOLLOWING.

- F102 -SUPER MULTIPLE JUNCTION (SMJ)
- M4 -FUSE BLOCK-JUNCTION BOX (J/B)

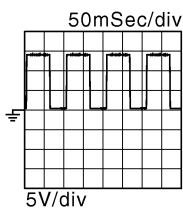
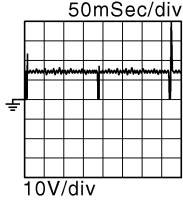
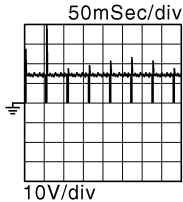


DTC P0171, P0174 FUEL INJECTION SYSTEM FUNCTION

Specification data are reference values and are measured between each terminal and ground.
Pulse signal is measured by CONSULT-III.

CAUTION:

Do not use ECM ground terminals when measuring input/output voltage. Doing so may result in damage to the ECM's transistor. Use a ground other than ECM terminals, such as the ground.

TER-MINAL NO.	WIRE COLOR	ITEM	CONDITION	DATA (DC Voltage)
5	GY/L	A/F sensor 1 heater (bank 2)	<p>[Engine is running]</p> <ul style="list-style-type: none"> ● Warm-up condition ● Idle speed (More than 140 seconds after starting engine) 	<p>2.9 - 8.8★</p> 
65	PU	A/F sensor 1 (bank 2)	[Ignition switch: ON]	2.2V
66	LG	A/F sensor 1 (bank 2)	<p>[Ignition switch: ON]</p> <ul style="list-style-type: none"> ● Warm-up condition ● Engine speed: 2,000 rpm 	1.8V Output voltage varies with air fuel ratio.
82 85 90	L/R BR Y/R	Fuel injector No. 6 Fuel injector No. 2 Fuel injector No. 4	<p>[Engine is running]</p> <ul style="list-style-type: none"> ● Warm-up condition ● Idle speed <p>NOTE: The pulse cycle changes depending on rpm at idle.</p>	<p>BATTERY VOLTAGE (11 - 14V)★</p> 
			<p>[Engine is running]</p> <ul style="list-style-type: none"> ● Warm-up condition ● Engine speed: 2,000 rpm 	<p>BATTERY VOLTAGE (11 - 14V)★</p> 

A
EC
C
D
E
F
G
H
I
J
K
L
M

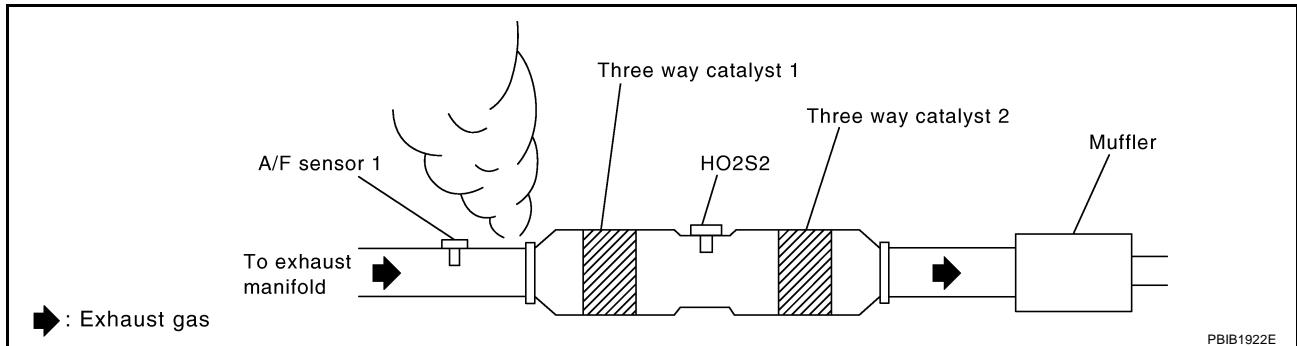
DTC P0171, P0174 FUEL INJECTION SYSTEM FUNCTION

Diagnostic Procedure

NBS00073

1. CHECK EXHAUST GAS LEAK

1. Start engine and run it at idle.
2. Listen for an exhaust gas leak before three way catalyst 1.



OK or NG

- OK >> GO TO 2.
- NG >> Repair or replace.

2. CHECK FOR INTAKE AIR LEAK

1. Listen for an intake air leak after the mass air flow sensor.
2. Check PCV hose connection.

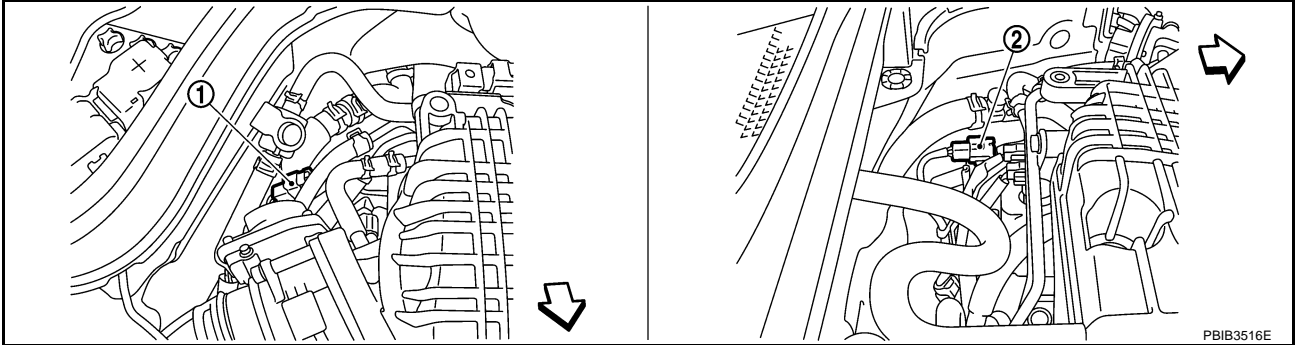
OK or NG

- OK >> GO TO 3.
- NG >> Repair or replace.

DTC P0171, P0174 FUEL INJECTION SYSTEM FUNCTION

3. CHECK A/F SENSOR 1 INPUT SIGNAL CIRCUIT

1. Turn ignition switch OFF.
2. Disconnect corresponding A/F sensor 1 harness connector.



1. A/F sensor 1 harness connector (bank 1)
2. A/F sensor 1 harness connector (bank 2)

← Vehicle front

3. Disconnect ECM harness connector.
4. Check harness continuity between the following terminals. Refer to Wiring Diagram.

	A/F sensor 1 terminal	ECM terminal
Bank 1	1	57
	2	61
Bank 2	1	65
	2	66

Continuity should exist.

5. Check harness continuity between the following terminals and ground. Refer to Wiring Diagram.

Bank 1		Bank 2	
A/F sensor 1 terminal	ECM terminal	A/F sensor 1 terminal	ECM terminal
1	57	1	65
2	61	2	66

Continuity should not exist.

6. Also check harness for short to power.

OK or NG

OK >> GO TO 4.

NG >> Repair open circuit or short to ground or short to power in harness or connectors.

4. CHECK FUEL PRESSURE

1. Release fuel pressure to zero. Refer to [EC-79, "FUEL PRESSURE RELEASE"](#).
2. Install fuel pressure gauge and check fuel pressure. Refer to [EC-80, "FUEL PRESSURE CHECK"](#).

At idling: Approximately 350 kPa (3.57 kg/cm² , 51 psi)

OK or NG

OK >> GO TO 6.

NG >> GO TO 5.

DTC P0171, P0174 FUEL INJECTION SYSTEM FUNCTION

5. DETECT MALFUNCTIONING PART

Check the following.

- Fuel pump and circuit (Refer to [EC-691, "FUEL PUMP"](#) .)
- Fuel pressure regulator (Refer to [EC-80, "FUEL PRESSURE CHECK"](#))
- Fuel lines (Refer to [FL-3, "Checking Fuel Lines"](#) .)
- Fuel filter for clogging

>> Repair or replace.

6. CHECK MASS AIR FLOW SENSOR

With CONSULT-III

1. Install all removed parts.
2. Start engine and warm it up normal temperature.
3. Check "MASS AIR FLOW" in "DATA MONITOR" mode with CONSULT-III.

2.0 - 6.0 g-m/sec: at idling

7.0 - 20.0 g-m/sec: at 2,500 rpm

With GST

1. Install all removed parts.
2. Start engine and warm it up normal temperature.
3. Check mass air flow sensor signal in Service \$01 with GST.

2.0 - 6.0 g-m/sec: at idling

7.0 - 20.0 g-m/sec: at 2,500 rpm

OK or NG

OK >> GO TO 7.

NG >> Check connectors for rusted terminals or loose connections in the mass air flow sensor circuit or ground. Refer to [EC-197, "DTC P0101, P010B MAF SENSOR"](#) .

7. CHECK FUNCTION OF FUEL INJECTOR

With CONSULT-III

1. Start engine.
2. Perform "POWER BALANCE" in "ACTIVE TEST" mode with CONSULT-III.
3. Make sure that each circuit produces a momentary engine speed drop.

Without CONSULT-III

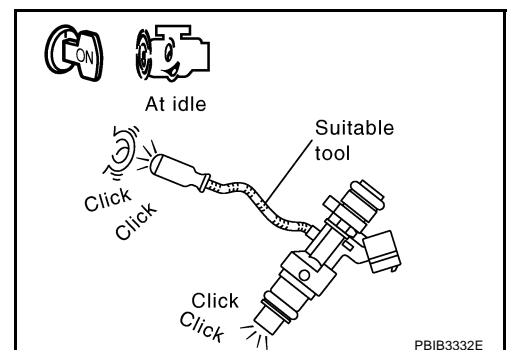
1. Start engine and let it idle.
2. Listen to each fuel injector operating sound.

Clickng sound should be heard.

OK or NG

OK >> GO TO 8.

NG >> Perform trouble diagnosis for FUEL INJECTOR, refer to [EC-686, "FUEL INJECTOR"](#) .



DTC P0171, P0174 FUEL INJECTION SYSTEM FUNCTION

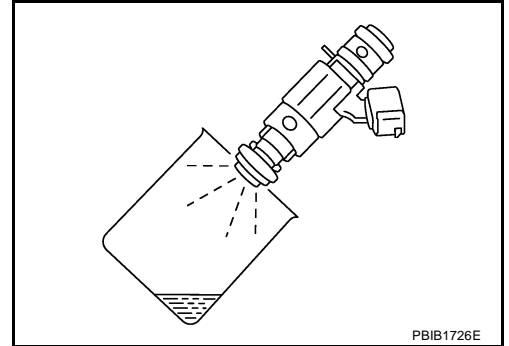
8. CHECK FUEL INJECTOR

1. Turn ignition switch OFF.
2. Confirm that the engine is cooled down and there are no fire hazards near the vehicle.
3. Disconnect all fuel injector harness connectors.
4. Remove fuel injector gallery assembly. Refer to [EM-34, "FUEL INJECTOR AND FUEL TUBE"](#) . Keep fuel hose and all fuel injectors connected to fuel injector gallery.
5. For DTC P0171, reconnect fuel injector harness connectors on bank 1.
For DTC P0174, reconnect fuel injector harness connectors on bank 2.
6. Disconnect all ignition coil harness connectors.
7. Prepare pans or saucers under each fuel injector.
8. Crank engine for about 3 seconds.
For DTC P0171, make sure that fuel sprays out from fuel injectors on bank 1.
For DTC P0174, make sure that fuel sprays out from fuel injectors on bank 2.

Fuel should be sprayed evenly for each fuel injector.

OK or NG

- OK >> GO TO 9.
NG >> Replace fuel injectors from which fuel does not spray out. Always replace O-ring with new ones.



9. CHECK INTERMITTENT INCIDENT

Refer to [EC-141, "TROUBLE DIAGNOSIS FOR INTERMITTENT INCIDENT"](#) .

>> **INSPECTION END**

A
EC
C
D
E
F
G
H
I
J
K
L
M

DTC P0172, P0175 FUEL INJECTION SYSTEM FUNCTION

DTC P0172, P0175 FUEL INJECTION SYSTEM FUNCTION

PDF:16600

On Board Diagnosis Logic

NBS00074

With the Air/Fuel Mixture Ratio Self-Learning Control, the actual mixture ratio can be brought closely to the theoretical mixture ratio based on the mixture ratio feedback signal from the air fuel ratio (A/F) sensors 1. The ECM calculates the necessary compensation to correct the offset between the actual and the theoretical ratios.

In case the amount of the compensation value is extremely large (The actual mixture ratio is too rich.), the ECM judges the condition as the fuel injection system malfunction and lights up the MIL (2 trip detection logic).

Sensor	Input signal to ECM	ECM function	Actuator
Air fuel ratio (A/F) sensor 1	Density of oxygen in exhaust gas (Mixture ratio feedback signal)	Fuel injection control	Fuel injector

DTC No.	Trouble diagnosis name	DTC detecting condition	Possible cause
P0172 0172 (Bank 1)	Fuel injection system too rich	<ul style="list-style-type: none"> Fuel injection system does not operate properly. The amount of mixture ratio compensation is too large. (The mixture ratio is too rich.) 	<ul style="list-style-type: none"> Air fuel ratio (A/F) sensor 1 Fuel injector Exhaust gas leaks Incorrect fuel pressure Mass air flow sensor
P0175 0175 (Bank 2)			

DTC Confirmation Procedure

NBS00075

NOTE:

If DTC Confirmation Procedure has been previously conducted, always turn ignition switch OFF and wait at least 10 seconds before conducting the next test.

WITH CONSULT-III

- Start engine and warm it up to normal operating temperature.
- Turn ignition switch OFF and wait at least 10 seconds.
- Turn ignition switch ON and select "SELF-LEARNING CONT" in "WORK SUPPORT" mode with CONSULT-III.
- Clear the self-learning control coefficient by touching "CLEAR".
- Start engine again and let it idle for at least 10 minutes.
- Check 1st trip DTC.
The 1st trip DTC P0172, P0175 should be detected at this stage, if a malfunction exists.
If so, go to [EC-340, "Diagnostic Procedure"](#).

NOTE:

If 1st trip DTC is not detected during above procedure, performing the following procedure is advised.

- Turn ignition switch OFF and wait at least 10 seconds.
- Start engine and select "DATA MONITOR" mode with CONSULT-III.
- Drive the vehicle under the similar conditions to (1st trip) Freeze Frame Data for a certain time.
Refer to the table below.

Hold the accelerator pedal as steady as possible.

The similar conditions to (1st trip) Freeze Frame Data means the vehicle operation that the following conditions should be satisfied at the same time.

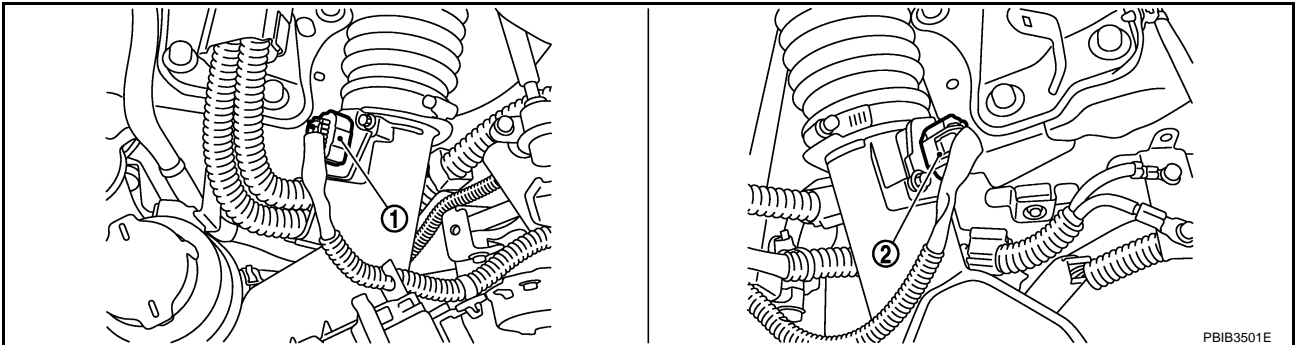
Engine speed	Engine speed in the freeze frame data \pm 400 rpm
Vehicle speed	Vehicle speed in the freeze frame data \pm 10 km/h (6 MPH)
Engine coolant temperature (T) condition	When the freeze frame data shows lower than 70 °C (158 °F), T should be lower than 70 °C (158 °F).
	When the freeze frame data shows higher than or equal to 70 °C (158 °F), T should be higher than or equal to 70 °C (158 °F).

- If it is difficult to start engine at step 6, the fuel injection system has a malfunction, too.
- Crank engine while depressing accelerator pedal.
If engine starts, go to [EC-340, "Diagnostic Procedure"](#). If engine does not start, remove ignition plugs and check for fouling, etc.

DTC P0172, P0175 FUEL INJECTION SYSTEM FUNCTION

WITH GST

1. Start engine and warm it up to normal operating temperature.
2. Turn ignition switch OFF and wait at least 10 seconds.
3. Disconnect mass air flow sensor (bank 1) harness connector. Then restart and run engine for at least 5 seconds at idle speed.



1. Mass air flow sensor (with intake air temperature sensor) (bank 1)
2. Mass air flow sensor (with intake air temperature sensor) (bank 2)

4. Stop engine and reconnect mass air flow sensor (bank 1) harness connector.
5. Select Service \$03 with GST. Make sure DTC P0102 is detected.
6. Select Service \$04 with GST and erase the DTC P0102.
7. Start engine again and let it idle for at least 10 minutes.
8. Select Service \$07 with GST. The 1st trip DTC P0172 or P0175 should be detected at this stage, if a malfunction exists. If so, go to [EC-340, "Diagnostic Procedure"](#).

NOTE:

If 1st trip DTC is not detected during above procedure, performing the following procedure is advised.

- a. Turn ignition switch OFF and wait at least 10 seconds.
- b. Start engine and drive the vehicle under the similar conditions to (1st trip) Freeze Frame Data for a certain time. Refer to the table below.

Hold the accelerator pedal as steady as possible.

The similar conditions to (1st trip) Freeze Frame Data means the vehicle operation that the following conditions should be satisfied at the same time.

Engine speed	Engine speed in the freeze frame data \pm 400 rpm
Vehicle speed	Vehicle speed in the freeze frame data \pm 10 km/h (6 MPH)
Engine coolant temperature (T) condition	When the freeze frame data shows lower than 70 °C (158 °F), T should be lower than 70 °C (158 °F).
	When the freeze frame data shows higher than or equal to 70 °C (158 °F), T should be higher than or equal to 70 °C (158 °F).

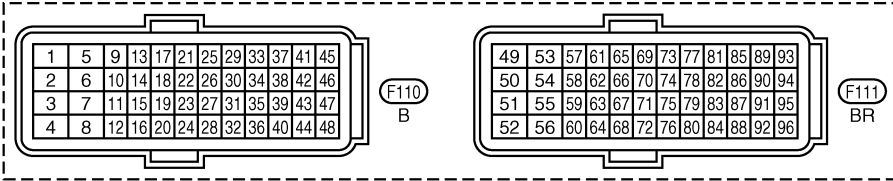
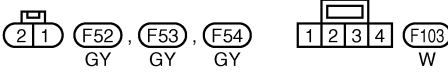
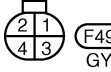
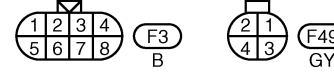
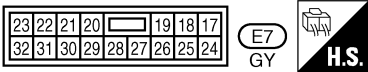
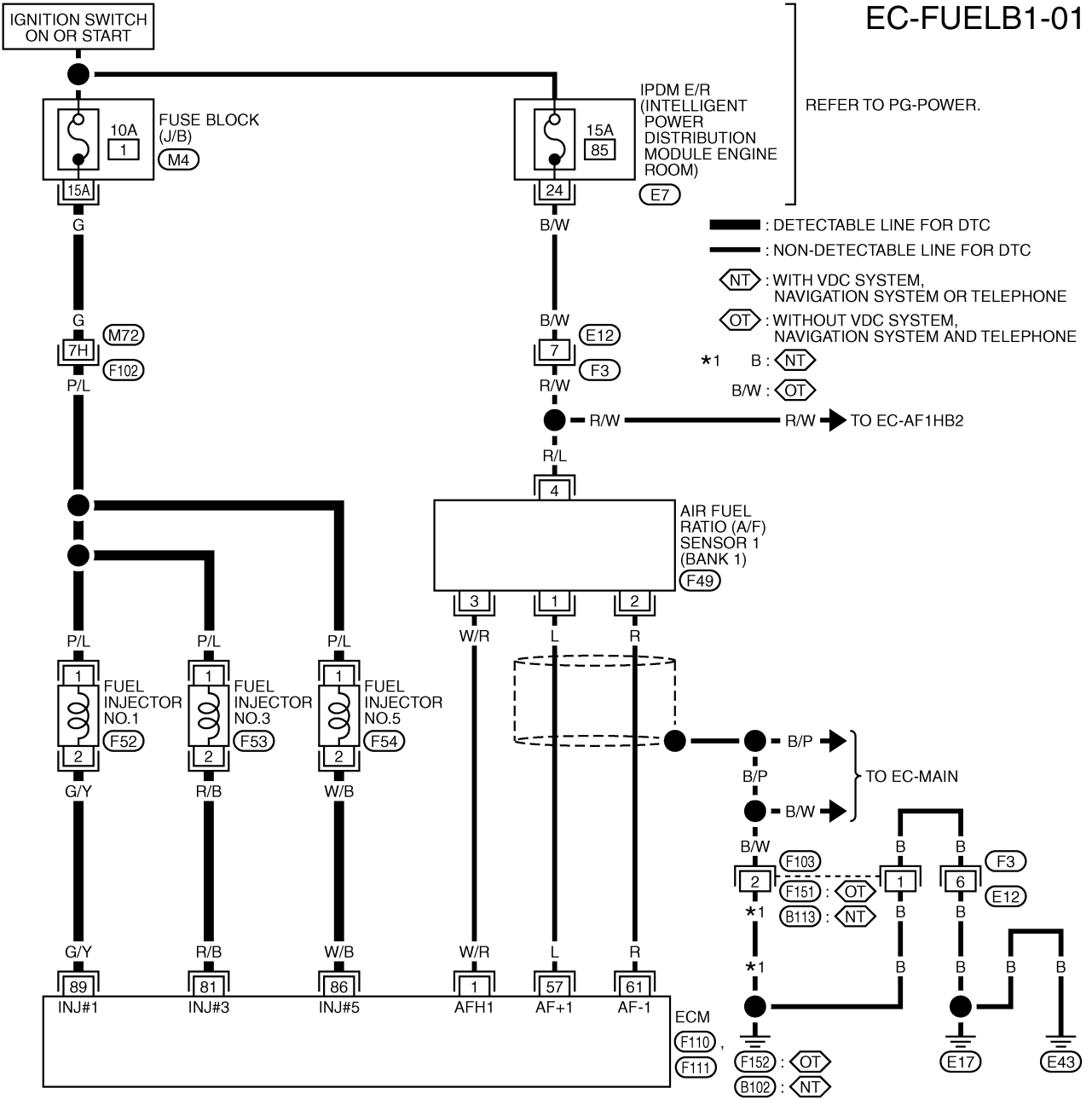
9. If it is difficult to start engine at step 7, the fuel injection system has a malfunction.
10. Crank engine while depressing accelerator pedal.
If engine starts, go to [EC-340, "Diagnostic Procedure"](#). If engine does not start, remove ignition plugs and check for fouling, etc.

DTC P0172, P0175 FUEL INJECTION SYSTEM FUNCTION

NBS006UY

Wiring Diagram BANK 1

EC-FUELB1-01



REFER TO THE FOLLOWING.

- (F102) -SUPER MULTIPLE JUNCTION (SMJ)
- (M4) -FUSE BLOCK-JUNCTION BOX (J/B)

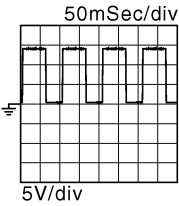
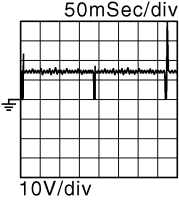
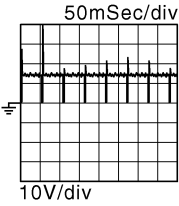
TBWT1636E

DTC P0172, P0175 FUEL INJECTION SYSTEM FUNCTION

Specification data are reference values and are measured between each terminal and ground.
Pulse signal is measured by CONSULT-III.

CAUTION:

Do not use ECM ground terminals when measuring input/output voltage. Doing so may result in damage to the ECM's transistor. Use a ground other than ECM terminals, such as the ground.

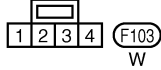
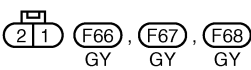
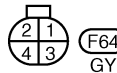
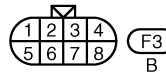
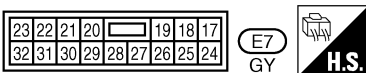
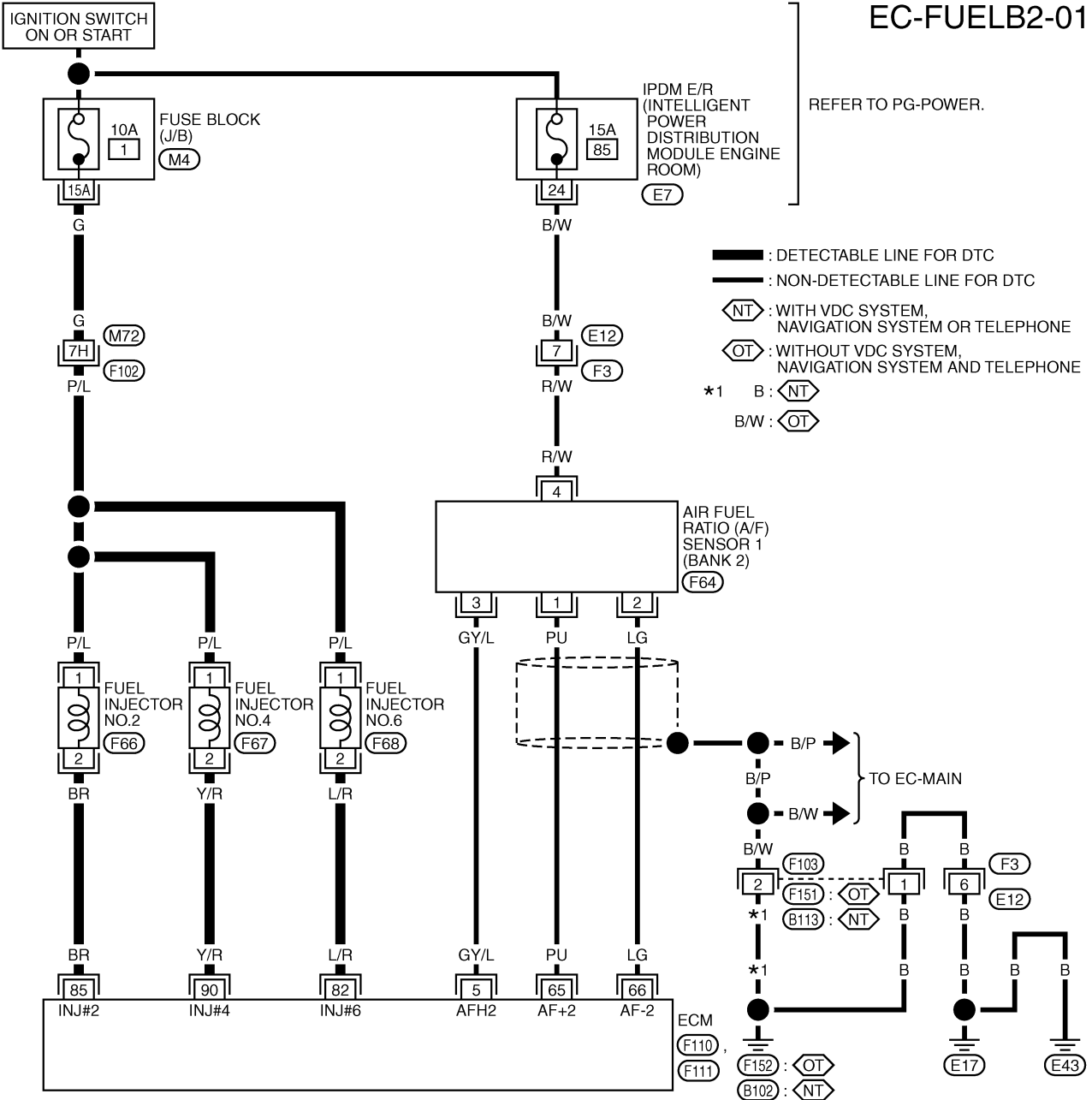
TER-MINAL NO.	WIRE COLOR	ITEM	CONDITION	DATA (DC Voltage)
1	W/R	A/F sensor 1 heater (bank 1)	<p>[Engine is running]</p> <ul style="list-style-type: none"> ● Warm-up condition ● Idle speed (More than 140 seconds after starting engine) 	<p>2.9 - 8.8V★</p> 
57	L	A/F sensor 1 (bank 1)	[Ignition switch: ON]	2.2V
61	R	A/F sensor 1 (bank 1)	<p>[Ignition switch: ON]</p> <ul style="list-style-type: none"> ● Warm-up condition ● Engine speed: 2,000 rpm 	<p>1.8V</p> <p>Output voltage varies with air fuel ratio.</p>
81 86 89	R/B W/B G/Y	Fuel injector No. 3 Fuel injector No. 5 Fuel injector No. 1	<p>[Engine is running]</p> <ul style="list-style-type: none"> ● Warm-up condition ● Idle speed <p>NOTE: The pulse cycle changes depending on rpm at idle.</p>	<p>BATTERY VOLTAGE (11 - 14V)★</p> 
			<p>[Engine is running]</p> <ul style="list-style-type: none"> ● Warm-up condition ● Engine speed: 2,000 rpm 	<p>BATTERY VOLTAGE (11 - 14V)★</p> 

A
EC
C
D
E
F
G
H
I
J
K
L
M

DTC P0172, P0175 FUEL INJECTION SYSTEM FUNCTION

BANK 2

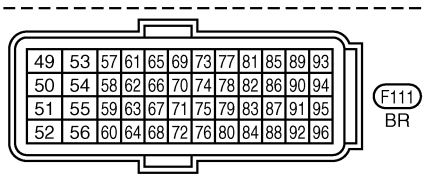
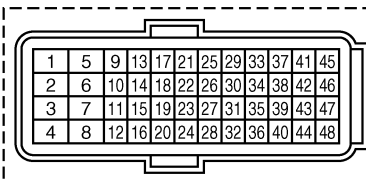
EC-FUELB2-01



REFER TO THE FOLLOWING.

F102 -SUPER MULTIPLE JUNCTION (SMJ)

M4 -FUSE BLOCK-JUNCTION BOX (J/B)

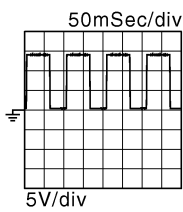
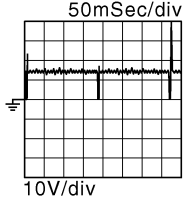
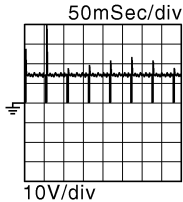


DTC P0172, P0175 FUEL INJECTION SYSTEM FUNCTION

Specification data are reference values and are measured between each terminal and ground.
Pulse signal is measured by CONSULT-III.

CAUTION:

Do not use ECM ground terminals when measuring input/output voltage. Doing so may result in damage to the ECM's transistor. Use a ground other than ECM terminals, such as the ground.

TER-MINAL NO.	WIRE COLOR	ITEM	CONDITION	DATA (DC Voltage)
5	GY/L	A/F sensor 1 heater (bank 2)	<p>[Engine is running]</p> <ul style="list-style-type: none"> ● Warm-up condition ● Idle speed (More than 140 seconds after starting engine) 	<p>2.9 - 8.8★</p> 
65	PU	A/F sensor 1 (bank 2)	[Ignition switch: ON]	2.2V
66	LG	A/F sensor 1 (bank 2)	<p>[Ignition switch: ON]</p> <ul style="list-style-type: none"> ● Warm-up condition ● Engine speed: 2,000 rpm 	1.8V Output voltage varies with air fuel ratio.
82 85 90	L/R BR Y/R	Fuel injector No. 6 Fuel injector No. 2 Fuel injector No. 4	<p>[Engine is running]</p> <ul style="list-style-type: none"> ● Warm-up condition ● Idle speed <p>NOTE: The pulse cycle changes depending on rpm at idle.</p>	<p>BATTERY VOLTAGE (11 - 14V)★</p> 
			<p>[Engine is running]</p> <ul style="list-style-type: none"> ● Warm-up condition ● Engine speed: 2,000 rpm 	<p>BATTERY VOLTAGE (11 - 14V)★</p> 

A
EC
C
D
E
F
G
H
I
J
K
L
M

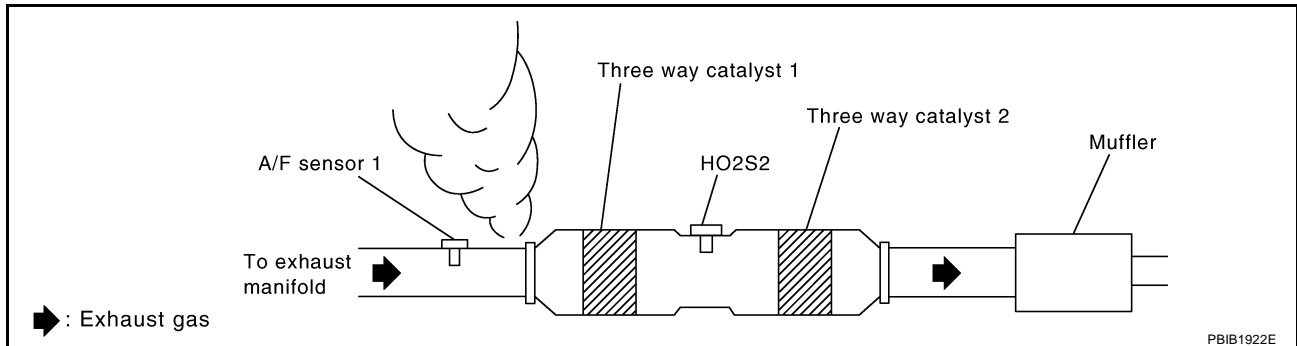
DTC P0172, P0175 FUEL INJECTION SYSTEM FUNCTION

Diagnostic Procedure

NBS00077

1. CHECK EXHAUST GAS LEAK

1. Start engine and run it at idle.
2. Listen for an exhaust gas leak before three way catalyst 1.



OK or NG

- OK >> GO TO 2.
- NG >> Repair or replace.

2. CHECK FOR INTAKE AIR LEAK

Listen for an intake air leak after the mass air flow sensor.

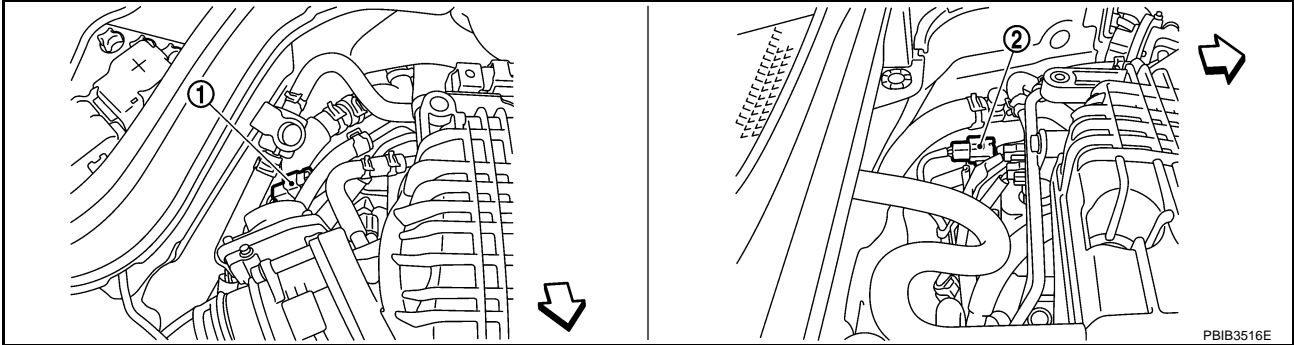
OK or NG

- OK >> GO TO 3.
- NG >> Repair or replace.

DTC P0172, P0175 FUEL INJECTION SYSTEM FUNCTION

3. CHECK A/F SENSOR 1 INPUT SIGNAL CIRCUIT

1. Turn ignition switch OFF.
2. Disconnect corresponding A/F sensor 1 harness connector.



1. A/F sensor 1 harness connector (bank 1)
2. A/F sensor 1 harness connector (bank 2)

←: Vehicle front

3. Disconnect ECM harness connector.
4. Check harness continuity between the following terminals. Refer to Wiring Diagram.

	A/F sensor 1 terminal	ECM terminal
Bank 1	1	57
	2	61
Bank 2	1	65
	2	66

Continuity should exist.

5. Check harness continuity between the following terminals and ground. Refer to Wiring Diagram.

Bank 1		Bank 2	
A/F sensor 1 terminal	ECM terminal	A/F sensor 1 terminal	ECM terminal
1	57	1	65
2	61	2	66

Continuity should not exist.

6. Also check harness for short to power.

OK or NG

OK >> GO TO 4.

NG >> Repair open circuit or short to ground or short to power in harness or connectors.

4. CHECK FUEL PRESSURE

1. Release fuel pressure to zero. Refer to [EC-79, "FUEL PRESSURE RELEASE"](#).
2. Install fuel pressure gauge and check fuel pressure. Refer to [EC-80, "FUEL PRESSURE CHECK"](#).

At idling: Approximately 350 kPa (3.57 kg/cm² , 51 psi)

OK or NG

OK >> GO TO 6.

NG >> GO TO 5.

DTC P0172, P0175 FUEL INJECTION SYSTEM FUNCTION

5. DETECT MALFUNCTIONING PART

Check the following.

- Fuel pump and circuit (Refer to [EC-691, "FUEL PUMP"](#) .)
- Fuel pressure regulator (Refer to [EC-80, "FUEL PRESSURE CHECK"](#) .)

>> Repair or replace.

6. CHECK MASS AIR FLOW SENSOR

With CONSULT-III

1. Install all removed parts.
2. Start engine and warm it up to normal temperature.
3. Check "MASS AIR FLOW" in "DATA MONITOR" mode with CONSULT-III.

2.0 - 6.0 g-m/sec: at idling
7.0 - 20.0 g-m/sec: at 2,500 rpm

With GST

1. Install all removed parts.
2. Start engine and warm it up to normal temperature.
3. Check mass air flow sensor signal in Service \$01 with GST.

2.0 - 6.0 g-m/sec: at idling
7.0 - 20.0 g-m/sec: at 2,500 rpm

OK or NG

OK >> GO TO 7.

NG >> Check connectors for rusted terminals or loose connections in the mass air flow sensor circuit or ground. Refer to [EC-197, "DTC P0101, P010B MAF SENSOR"](#) .

7. CHECK FUNCTION OF FUEL INJECTOR

With CONSULT-III

1. Start engine.
2. Perform "POWER BALANCE" in "ACTIVE TEST" mode with CONSULT-III.
3. Make sure that each circuit produces a momentary engine speed drop.

Without CONSULT-III

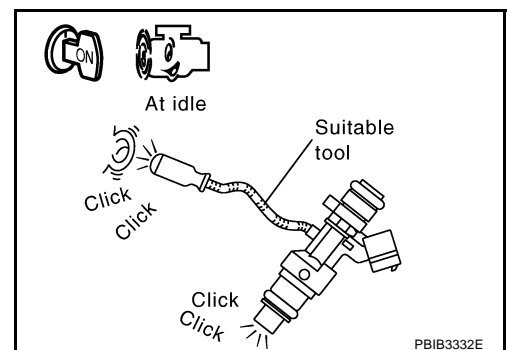
1. Start engine and let it idle.
2. Listen to each fuel injector operating sound.

Clickng sound should be heard.

OK or NG

OK >> GO TO 8.

NG >> Perform trouble diagnosis for FUEL INJECTOR, refer to [EC-686, "FUEL INJECTOR"](#) .



DTC P0172, P0175 FUEL INJECTION SYSTEM FUNCTION

8. CHECK FUEL INJECTOR

1. Remove fuel injector assembly. Refer to [EM-34, "FUEL INJECTOR AND FUEL TUBE"](#) .
Keep fuel hose and all fuel injectors connected to fuel injector gallery.
2. Confirm that the engine is cooled down and there are no fire hazards near the vehicle.
3. Disconnect all fuel injector harness connectors.
4. Disconnect all ignition coil harness connectors.
5. Prepare pans or saucers under each fuel injectors.
6. Crank engine for about 3 seconds.
Make sure fuel does not drip from fuel injector.

OK or NG

OK (Does not drip.)>>GO TO 9.

NG (Drips.)>>Replace the fuel injectors from which fuel is dripping. Always replace O-ring with new one.

9. CHECK INTERMITTENT INCIDENT

Refer to [EC-141, "TROUBLE DIAGNOSIS FOR INTERMITTENT INCIDENT"](#) .

>> **INSPECTION END**

A

EC

C

D

E

F

G

H

I

J

K

L

M

DTC P0181 FTT SENSOR

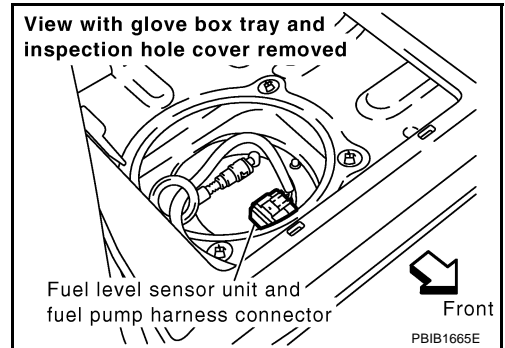
PFP:22630

DTC P0181 FTT SENSOR

Component Description

NBS00078

The fuel tank temperature sensor is used to detect the fuel temperature inside the fuel tank. The sensor modifies a voltage signal from the ECM. The modified signal returns to the ECM as the fuel temperature input. The sensor uses a thermistor which is sensitive to the change in temperature. The electrical resistance of the thermistor decreases as temperature increases.



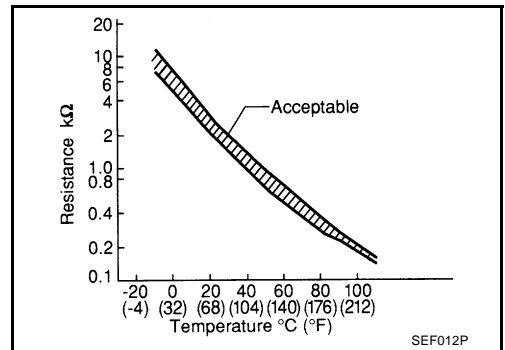
<Reference data>

Fluid temperature °C (°F)	Voltage* V	Resistance kΩ
20 (68)	3.5	2.3 - 2.7
50 (122)	2.2	0.79 - 0.90

*: This data is reference values and is measured between ECM terminal 106 (Fuel tank temperature sensor) and ground.

CAUTION:

Do not use ECM ground terminals when measuring input/output voltage. Doing so may result in damage to the ECM's transistor. Use a ground other than ECM terminals, such as the ground.



On Board Diagnosis Logic

NBS00079

DTC No.	Trouble diagnosis name	DTC detecting condition	Possible cause
P0181 0181	Fuel tank temperature sensor circuit range/performance	Rationally incorrect voltage from the sensor is sent to ECM, compared with the voltage signals from engine coolant temperature sensor and intake air temperature sensor.	<ul style="list-style-type: none"> ● Harness or connectors (The sensor circuit is open or shorted) ● Fuel tank temperature sensor

DTC Confirmation Procedure

NBS0007A

NOTE:

If DTC Confirmation Procedure has been previously conducted, always turn ignition switch OFF and wait at least 10 seconds before conducting the next test.

WITH CONSULT-III

1. Turn ignition switch ON and wait at least 10 seconds.
2. Check 1st trip DTC.
If 1st trip DTC is detected, go to [EC-346, "Diagnostic Procedure"](#).
If 1st trip DTC is not detected, go to following step.
3. Select "DATA MONITOR" mode with CONSULT-III.
4. Check "COOLAN TEMP/S" value.
If "COOLAN TEMP/S" is less than 60°C (140°F), the result will be OK.
If "COOLAN TEMP/S" is above 60°C (140°F), go to the following step.
5. Cool engine down until "COOLAN TEMP/S" is less than 60°C (140°F).
6. Wait at least 10 seconds.
7. Check 1st trip DTC.
8. If 1st trip DTC is detected, go to [EC-346, "Diagnostic Procedure"](#).

WITH GST

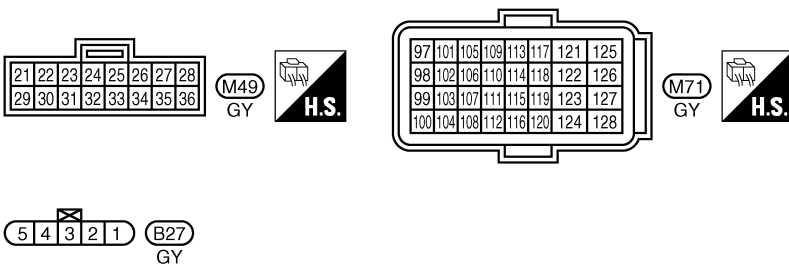
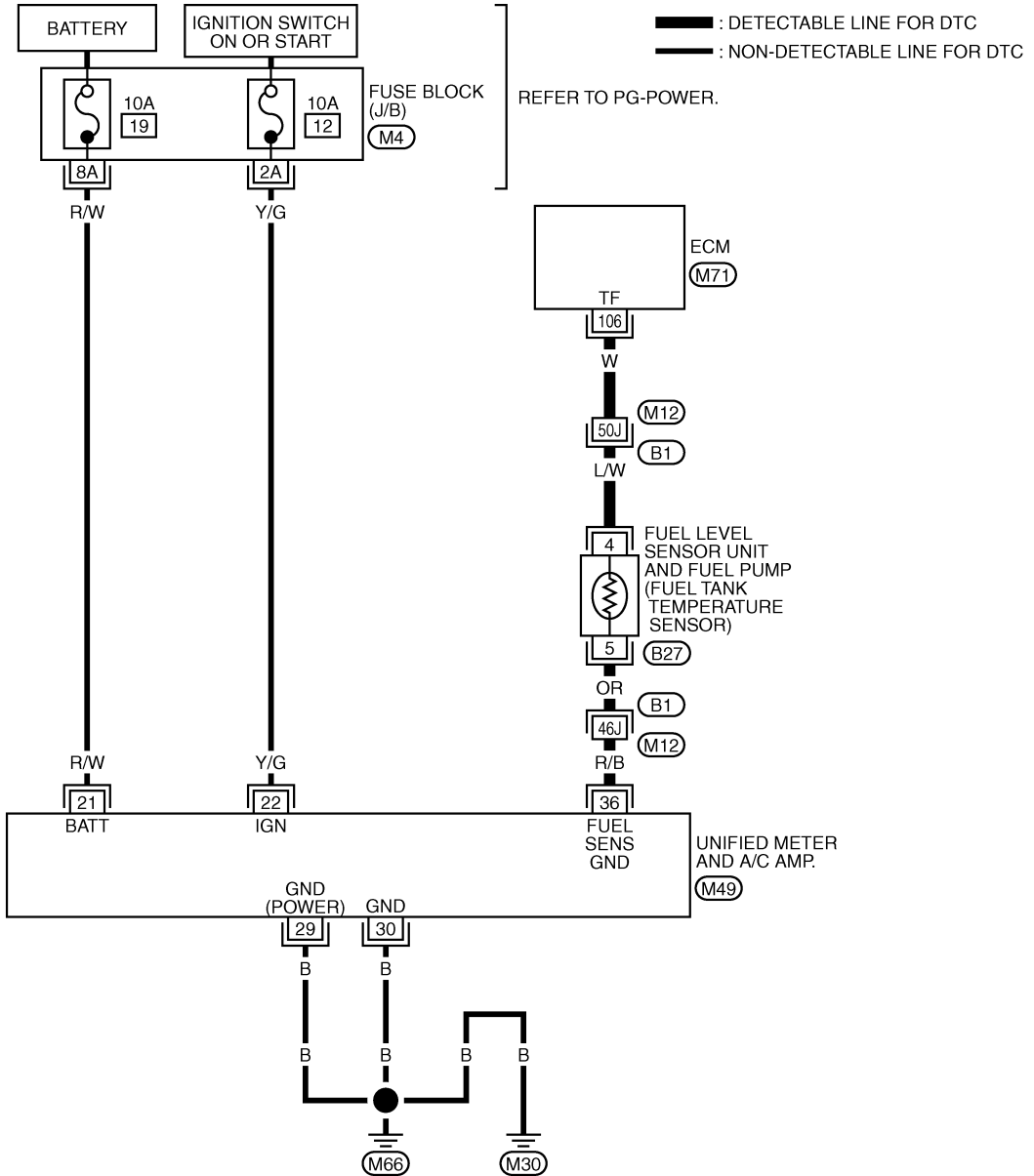
Follow the procedure "WITH CONSULT-III" above.

DTC P0181 FTT SENSOR

Wiring Diagram

NBS0007B

EC-FTTS-01



REFER TO THE FOLLOWING.

- (B1) -SUPER MULTIPLE JUNCTION (SMJ)
- (M4) -FUSE BLOCK-JUNCTION BOX (J/B)

TBWT1640E

DTC P0181 FTT SENSOR

NBS0007C

Diagnostic Procedure

1. CHECK DTC WITH "UNIFIED METER AND A/C AMP."

Refer to [DI-47, "SELF-DIAGNOSTIC RESULTS"](#).

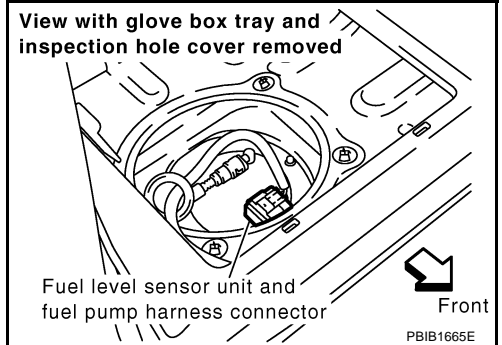
OK or NG

OK >> GO TO 2.

NG >> Go to [DI-19, "Fuel Level Sensor Signal Inspection"](#).

2. CHECK FUEL TANK TEMPERATURE SENSOR POWER SUPPLY CIRCUIT

1. Disconnect "fuel level sensor unit and fuel pump" harness connector.
2. Turn ignition switch ON.



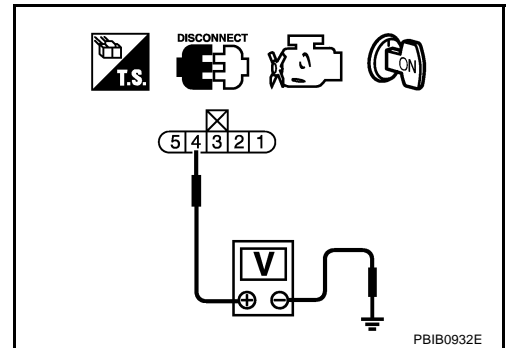
3. Check voltage between "fuel level sensor unit and fuel pump" terminal 4 and ground with CONSULT-III or tester.

Voltage: Approximately 5V

OK or NG

OK >> GO TO 4.

NG >> GO TO 3.



3. DETECT MALFUNCTIONING PART

Check the following.

- Harness connectors B1, M12
- Harness for open or short between ECM and "fuel level sensor unit and fuel pump"

>> Repair open circuit or short to ground or short to power in harness or connector.

4. CHECK FUEL TANK TEMPERATURE SENSOR GROUND CIRCUIT FOR OPEN AND SHORT

1. Turn ignition switch OFF.
2. Disconnect "unified meter and A/C amp." harness connector M49.
3. Check harness continuity between "fuel level sensor unit and fuel pump" terminal 5 and "unified meter and A/C amp." terminal 36. Refer to Wiring Diagram.

Continuity should exist.

4. Also check harness for short to power.

OK or NG

OK >> GO TO 6.

NG >> GO TO 5.

DTC P0181 FTT SENSOR

5. DETECT MALFUNCTIONING PART

Check the following.

- Harness connectors B1, M12
- Harness for open or short between “fuel level sensor unit and fuel pump” and “unified meter and A/C amp.”

>> Repair open circuit or short to ground or short to power in harness or connector.

6. CHECK FUEL TANK TEMPERATURE SENSOR

Refer to [EC-347, "Component Inspection"](#) .

OK or NG

- OK >> GO TO 7.
- NG >> Replace fuel level sensor unit.

7. CHECK INTERMITTENT INCIDENT

Refer to [EC-141, "TROUBLE DIAGNOSIS FOR INTERMITTENT INCIDENT"](#) .

>> INSPECTION END

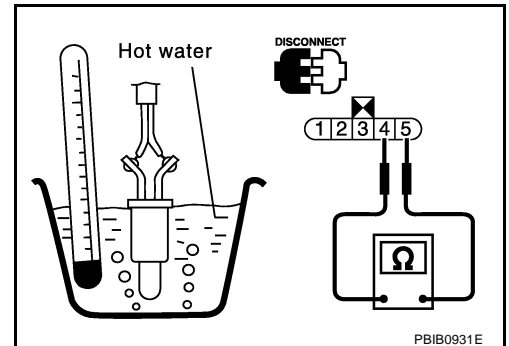
Component Inspection FUEL TANK TEMPERATURE SENSOR

NBS0007D

1. Remove fuel level sensor unit.
2. Check resistance between “fuel level sensor unit and fuel pump” terminals 4 and 5 by heating with hot water as shown in the figure.

Temperature °C (°F)	Resistance kΩ
20 (68)	2.3 - 2.7
50 (122)	0.79 - 0.90

3. If NG, replace fuel level sensor unit.



NBS0007E

Removal and Installation FUEL TANK TEMPERATURE SENSOR

Refer to [FL-4, "FUEL LEVEL SENSOR UNIT, FUEL FILTER AND FUEL PUMP ASSEMBLY"](#) .

DTC P0182, P0183 FTT SENSOR

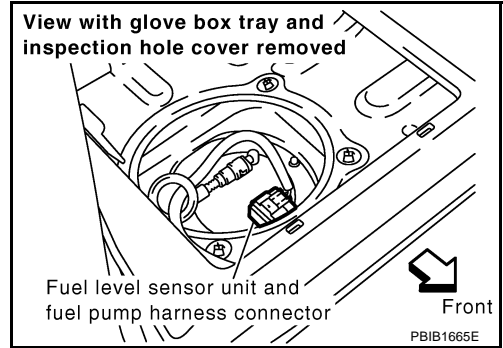
PFP:22630

DTC P0182, P0183 FTT SENSOR

Component Description

NBS0007F

The fuel tank temperature sensor is used to detect the fuel temperature inside the fuel tank. The sensor modifies a voltage signal from the ECM. The modified signal returns to the ECM as the fuel temperature input. The sensor uses a thermistor which is sensitive to the change in temperature. The electrical resistance of the thermistor decreases as temperature increases.



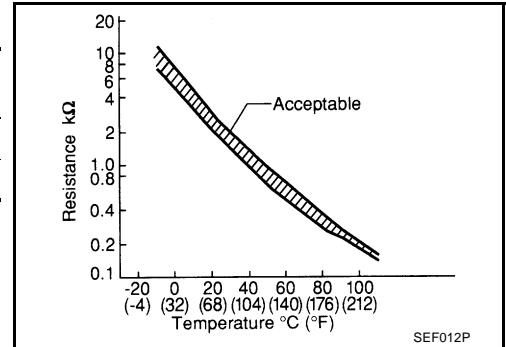
<Reference data>

Fluid temperature °C (°F)	Voltage* V	Resistance kΩ
20 (68)	3.5	2.3 - 2.7
50 (122)	2.2	0.79 - 0.90

*: This data is reference values and is measured between ECM terminal 106 (Fuel tank temperature sensor) and ground.

CAUTION:

Do not use ECM ground terminals when measuring input/output voltage. Doing so may result in damage to the ECM's transistor. Use a ground other than ECM terminals, such as the ground.



On Board Diagnosis Logic

NBS0007G

DTC No.	Trouble diagnosis name	DTC detecting condition	Possible cause
P0182 0182	Fuel tank temperature sensor circuit low input	An excessively low voltage from the sensor is sent to ECM.	<ul style="list-style-type: none"> ● Harness or connectors (The sensor circuit is open or shorted.) ● Fuel tank temperature sensor
P0183 0183	Fuel tank temperature sensor circuit high input	An excessively high voltage from the sensor is sent to ECM.	

DTC Confirmation Procedure

NBS0007H

NOTE:

If DTC Confirmation Procedure has been previously conducted, always turn ignition switch OFF and wait at least 10 seconds before conducting the next test.

WITH CONSULT-III

1. Turn ignition switch ON and wait at least 5 seconds.
2. Check 1st trip DTC.
3. If 1st trip DTC is detected, go to [EC-350, "Diagnostic Procedure"](#).

WITH GST

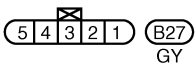
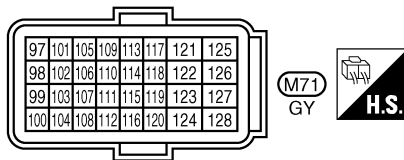
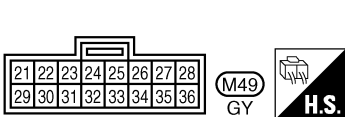
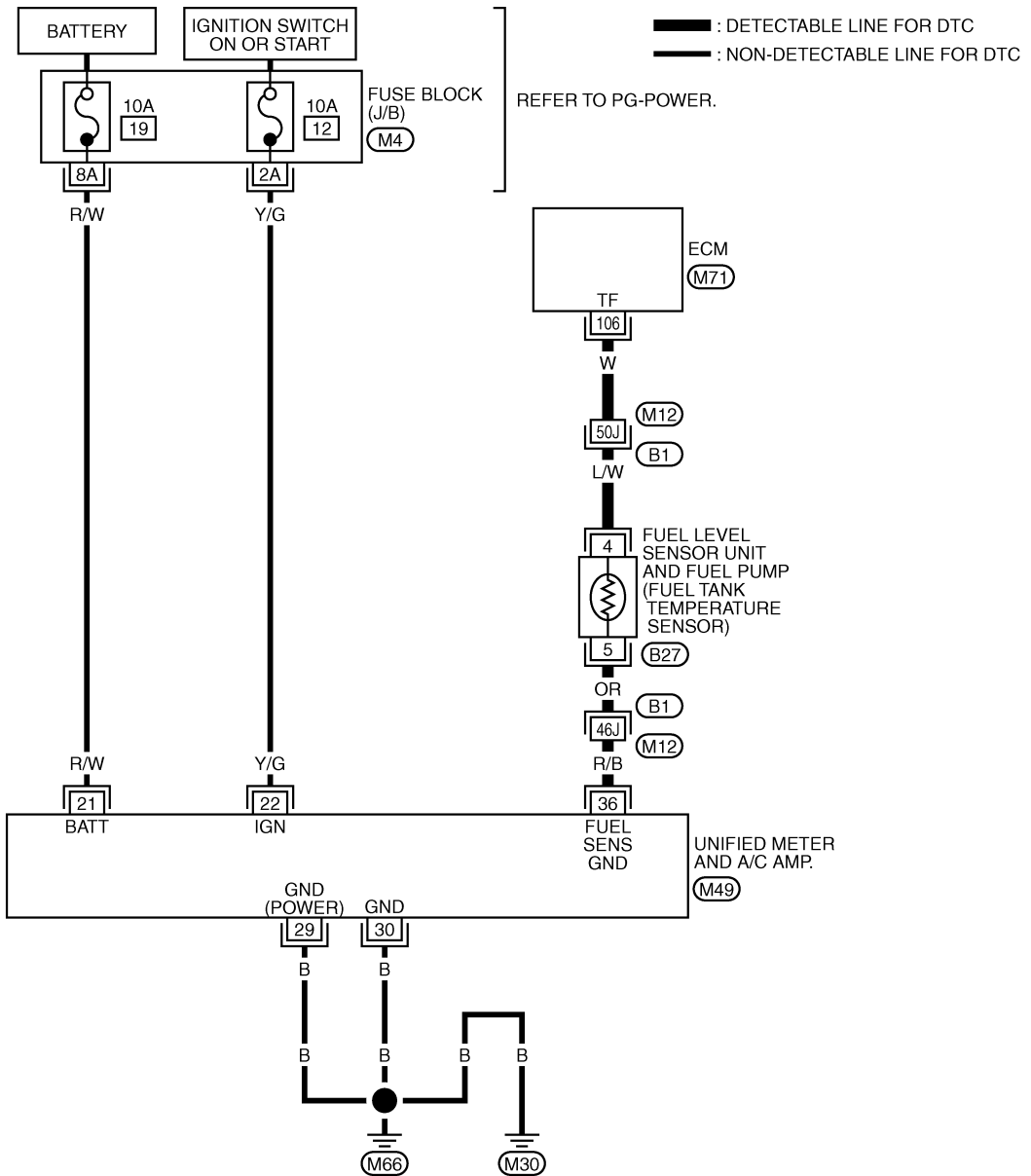
Follow the procedure "WITH CONSULT-III" above.

DTC P0182, P0183 FTT SENSOR

NBS00071

EC-FTTS-01

Wiring Diagram



REFER TO THE FOLLOWING.

- (B1) -SUPER MULTIPLE JUNCTION (SMJ)
- (M4) -FUSE BLOCK-JUNCTION BOX (J/B)

TBWT1640E

DTC P0182, P0183 FTT SENSOR

NBS0007J

Diagnostic Procedure

1. CHECK DTC WITH "UNIFIED METER AND A/C AMP."

Refer to [DI-47, "SELF-DIAGNOSTIC RESULTS"](#).

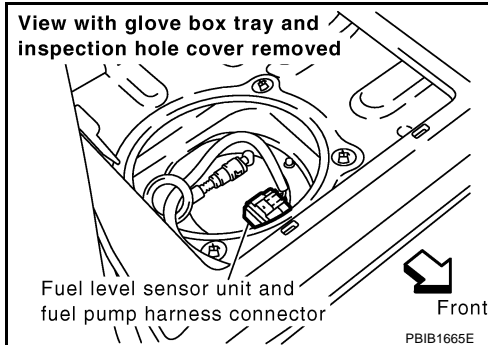
OK or NG

OK >> GO TO 2.

NG >> Go to [DI-19, "Fuel Level Sensor Signal Inspection"](#).

2. CHECK FUEL TANK TEMPERATURE SENSOR POWER SUPPLY CIRCUIT

1. Disconnect "fuel level sensor unit and fuel pump" harness connector.
2. Turn ignition switch ON.



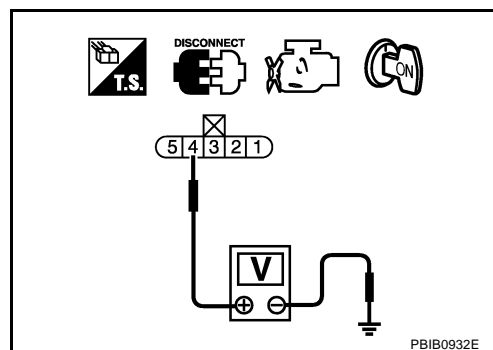
3. Check voltage between "fuel level sensor unit and fuel pump" terminal 4 and ground with CONSULT-III or tester.

Voltage: Approximately 5V

OK or NG

OK >> GO TO 4.

NG >> GO TO 3.



3. DETECT MALFUNCTIONING PART

Check the following.

- Harness connectors B1, M12
- Harness for open or short between ECM and "fuel level sensor unit and fuel pump"

>> Repair open circuit or short to ground or short to power in harness or connector.

4. CHECK FUEL TANK TEMPERATURE SENSOR GROUND CIRCUIT FOR OPEN AND SHORT

1. Turn ignition switch OFF.
2. Disconnect "unified meter and A/C amp." harness connector M49.
3. Check harness continuity between "fuel level sensor unit and fuel pump" terminal 5 and "unified meter and A/C amp." terminal 36. Refer to Wiring Diagram.

Continuity should exist.

4. Also check harness for short to power.

OK or NG

OK >> GO TO 6.

NG >> GO TO 5.

DTC P0182, P0183 FTT SENSOR

5. DETECT MALFUNCTIONING PART

Check the following.

- Harness connectors B1, M12
- Harness for open or short between “fuel level sensor unit and fuel pump” and “unified meter and A/C amp.”

>> Repair open circuit short to ground or short to power in harness or connector.

6. CHECK FUEL TANK TEMPERATURE SENSOR

Refer to [EC-347, "Component Inspection"](#) .

OK or NG

- OK >> GO TO 7.
- NG >> Replace fuel level sensor unit.

7. CHECK INTERMITTENT INCIDENT

Refer to [EC-141, "TROUBLE DIAGNOSIS FOR INTERMITTENT INCIDENT"](#) .

>> INSPECTION END

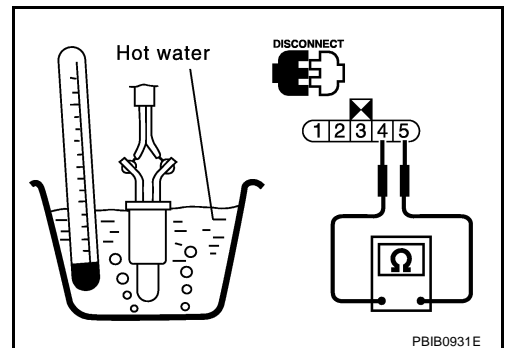
Component Inspection FUEL TANK TEMPERATURE SENSOR

NBS0007K

1. Remove fuel level sensor unit.
2. Check resistance between “fuel level sensor unit and fuel pump” terminals 4 and 5 by heating with hot water as shown in the figure.

Temperature °C (°F)	Resistance kΩ
20 (68)	2.3 - 2.7
50 (122)	0.79 - 0.90

3. If NG, replace fuel level sensor unit.



NBS0007L

Removal and Installation FUEL TANK TEMPERATURE SENSOR

Refer to [FL-4, "FUEL LEVEL SENSOR UNIT, FUEL FILTER AND FUEL PUMP ASSEMBLY"](#) .

DTC P0196 EOT SENSOR

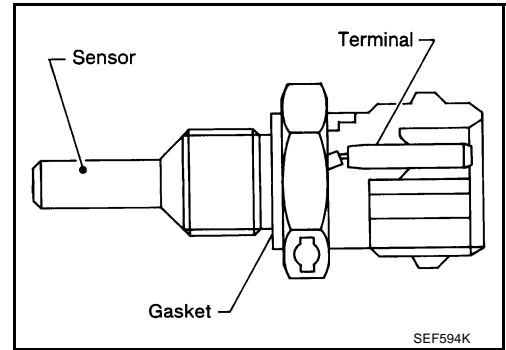
PFP:22630

DTC P0196 EOT SENSOR

Component Description

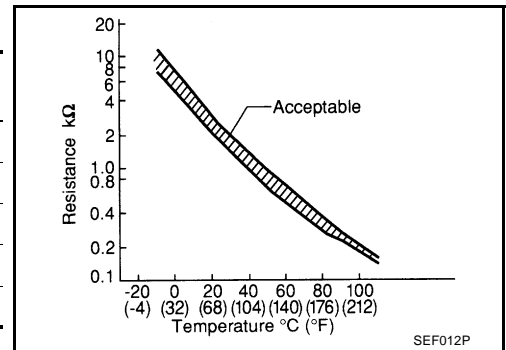
NBS006TK

The engine oil temperature sensor is used to detect the engine oil temperature. The sensor modifies a voltage signal from the ECM. The modified signal returns to the ECM as the engine oil temperature input. The sensor uses a thermistor which is sensitive to the change in temperature. The electrical resistance of the thermistor decreases as temperature increases.



< Reference data >

Engine coolant temperature °C (°F)	Voltage* V	Resistance kΩ
-10 (14)	4.4	7.0 - 11.4
20 (68)	3.5	2.1 - 2.9
50 (122)	2.2	0.68 - 1.00
90 (194)	0.9	0.236 - 0.260
110 (230)	0.6	0.143 - 0.153



*: This data is reference values and is measured between ECM terminal 78 (Engine oil temperature sensor) and ground.

CAUTION:

Do not use ECM ground terminals when measuring input/output voltage. Doing so may result in damage to the ECM's transistor. Use a ground other than ECM terminals, such as the ground.

On Board Diagnosis Logic

NBS006TL

NOTE:

If DTC P0196 is displayed with P0197 or P0198, first perform the trouble diagnosis for DTC P0197 or P0198. Refer to [EC-356, "DTC P0197, P0198 EOT SENSOR"](#).

DTC No.	Trouble diagnosis name	DTC detecting condition	Possible cause
P0196 0196	Engine oil temperature sensor range/performance	Rationally incorrect voltage from the sensor is sent to ECM, compared with the voltage signals from engine coolant temperature sensor and intake air temperature sensor.	<ul style="list-style-type: none"> ● Harness or connectors (The sensor circuit is open or shorted) ● Engine oil temperature sensor

FAIL-SAFE MODE

When the malfunction is detected, the ECM enters fail-safe mode.

Detected items	Engine operating condition in fail-safe mode
Engine oil temperature sensor	Exhaust valve timing control does not function.

DTC P0196 EOT SENSOR

NBS006TM

DTC Confirmation Procedure

NOTE:

If DTC Confirmation Procedure has been previously conducted, always turn ignition switch OFF and wait at least 10 seconds before conducting the next test.

TESTING CONDITION:

Before performing the following procedure, confirm that battery voltage is more than 11V at idle.

WITH CONSULT-III

1. Start engine and warm it up to normal operating temperature.
2. Turn ignition switch OFF and wait at least 10 seconds.
3. Start engine and let it idle for 5 minutes and 10 seconds.
4. Check 1st trip DTC.
If 1st trip DTC is detected, go to [EC-354, "Diagnostic Procedure"](#) .
If 1st trip DTC is not detected, go to following steps.
5. Select "DATA MONITOR" mode with CONSULT-III.
6. Check that "COOLAN TEMP/S" indicates above 80°C (176°F).
If it is above 80°C (176°F), go to the following steps.
If it is below 80°C (176°F), warm engine up until "COOLAN TEMP/S" indicates more than 80°C (176°F). Then go to the following steps.
7. Turn ignition switch OFF and soak the vehicle at cool place.
8. Turn ignition switch ON.

NOTE:

Do not turn ignition switch OFF until step 12

9. Select "DATA MONITOR" mode with CONSULT-III.
10. Check the following.

COOLAN TEMP/S	Below 40°C (104°F)
INT/A TEMP SE	Below 40°C (104°F)
Difference between "COOLAN TEMP/S" and "INT/A TEMP SE"	Within 6°C (11°F)

If they are within the specified range, go to following steps.

If they are out of the specified range, soak the vehicle to met the above conditions. Then go to following steps.

NOTE:

- Do not turn ignition switch OFF.
- If it is supposed to need a long period of time, do not deplete the battery.

11. Start engine and let it idle for 5 minutes.
12. Check 1st trip DTC.
13. If 1st trip DTC is detected, go to [EC-354, "Diagnostic Procedure"](#) .

WITH GST

Follow the procedure "WITH CONSULT-III" above.

DTC P0196 EOT SENSOR

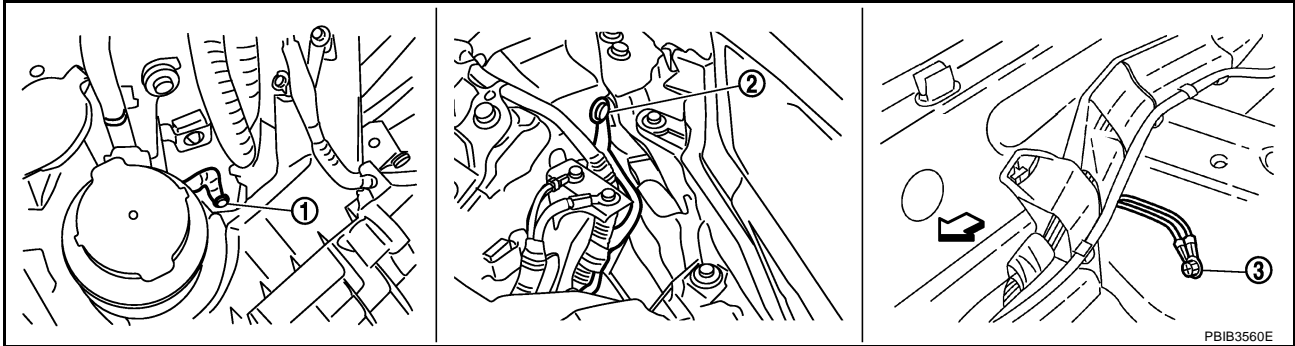
NBS0067N

Diagnostic Procedure

1. CHECK GROUND CONNECTIONS

Models with VDC system, navigation system or telephone

1. Turn ignition switch OFF.
2. Loosen and retighten ground screws on the body. Refer to [EC-150, "Ground Inspection"](#).



1. Body ground E17

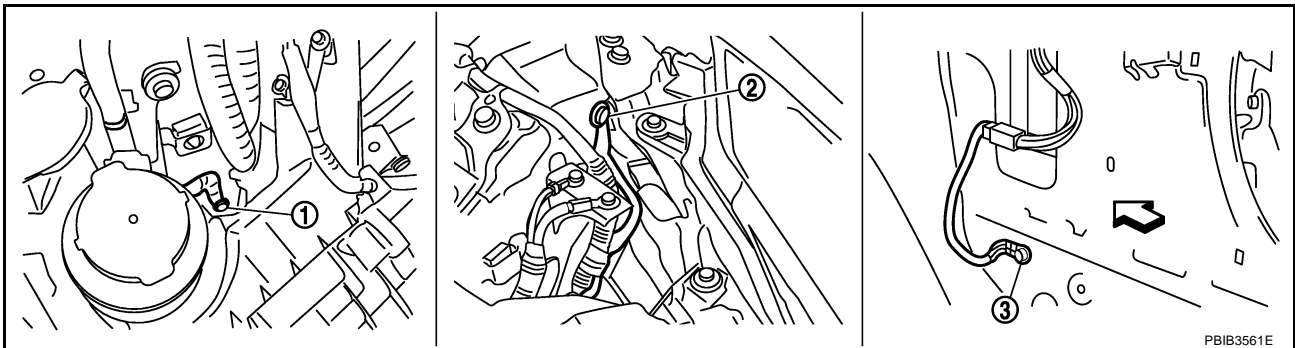
2. Body ground E43

3. Body ground B102

↔ Vehicle front

Models without VDC system, navigation system and telephone

1. Turn ignition switch OFF.
2. Loosen and retighten ground screws on the body. Refer to [EC-150, "Ground Inspection"](#).



1. Body ground E17

2. Body ground E43

3. Body ground F152
(Passenger side view with dash side finisher removed)

↔ Vehicle front

OK or NG

- OK >> GO TO 2.
NG >> Repair or replace ground connections.

2. CHECK ENGINE OIL TEMPERATURE SENSOR

Refer to [EC-355, "Component Inspection"](#).

OK or NG

- OK >> GO TO 3.
NG >> Replace engine oil temperature sensor.

3. CHECK INTERMITTENT INCIDENT

Refer to [EC-141, "TROUBLE DIAGNOSIS FOR INTERMITTENT INCIDENT"](#).
Refer to [EC-357, "Wiring Diagram"](#).

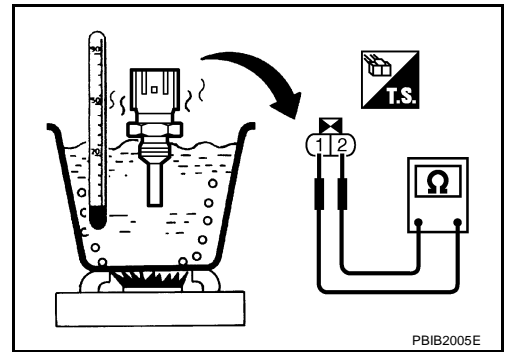
>> INSPECTION END

DTC P0196 EOT SENSOR

Component Inspection ENGINE OIL TEMPERATURE SENSOR

NBS006TO

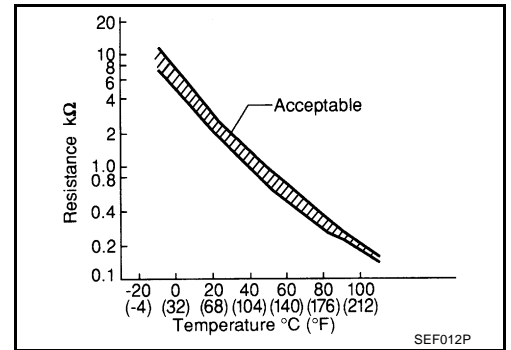
1. Check resistance between engine oil temperature sensor terminals 1 and 2 as shown in the figure.



<Reference data>

Engine coolant temperature °C (°F)	Resistance kΩ
20 (68)	2.1 - 2.9
50 (122)	0.68 - 1.00
90 (194)	0.236 - 0.260

2. If NG, replace engine oil temperature sensor.



Removal and Installation ENGINE OIL TEMPERATURE SENSOR

NBS006TP

Refer to [EM-26, "OIL PAN AND OIL STRAINER"](#) .

DTC P0197, P0198 EOT SENSOR

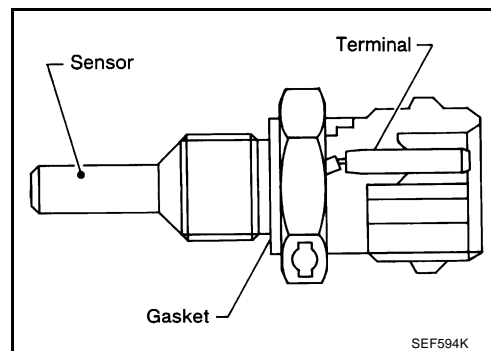
DTC P0197, P0198 EOT SENSOR

PFP:22630

Component Description

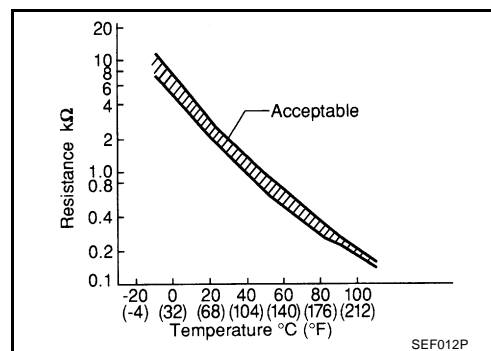
NBS006TQ

The engine oil temperature sensor is used to detect the engine oil temperature. The sensor modifies a voltage signal from the ECM. The modified signal returns to the ECM as the engine oil temperature input. The sensor uses a thermistor which is sensitive to the change in temperature. The electrical resistance of the thermistor decreases as temperature increases.



<Reference data>

Engine coolant temperature °C (°F)	Voltage* V	Resistance kΩ
-10 (14)	4.4	7.0 - 11.4
20 (68)	3.5	2.1 - 2.9
50 (122)	2.2	0.68 - 1.00
90 (194)	0.9	0.236 - 0.260
110 (230)	0.6	0.143 - 0.153



*: This data is reference value and is measured between ECM terminal 78 (Engine oil temperature sensor) and ground.

CAUTION:

Do not use ECM ground terminals when measuring input/output voltage. Doing so may result in damage to the ECM's transistor. Use a ground other than ECM terminals, such as the ground.

On Board Diagnosis Logic

NBS006TR

These self-diagnoses have the one trip detection logic.

DTC No.	Trouble Diagnosis Name	DTC Detecting Condition	Possible Cause
P0197 0197	Engine oil temperature sensor circuit low input	An excessively low voltage from the sensor is sent to ECM.	<ul style="list-style-type: none"> ● Harness or connectors (Engine coolant temperature sensor circuit is open or shorted.) ● Engine oil temperature sensor
P0198 0198	Engine oil temperature sensor circuit high input	An excessively high voltage from the sensor is sent to ECM.	

FAIL-SAFE MODE

When the malfunction is detected, the ECM enters fail-safe mode.

Detected items	Engine operating condition in fail-safe mode
Engine oil temperature sensor	Exhaust valve timing control does not function.

DTC Confirmation Procedure

NBS006TS

NOTE:

If DTC Confirmation Procedure has been previously conducted, always turn ignition switch OFF and wait at least 10 seconds before conducting the next test.

1. Start engine and wait at least 5 seconds.
2. Check 1st trip DTC.
3. If 1st trip DTC is detected, go to [EC-358, "Diagnostic Procedure"](#).

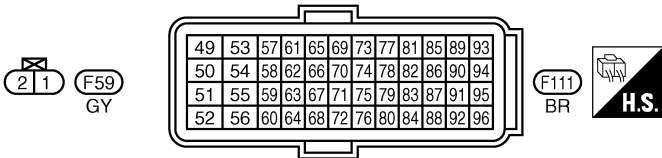
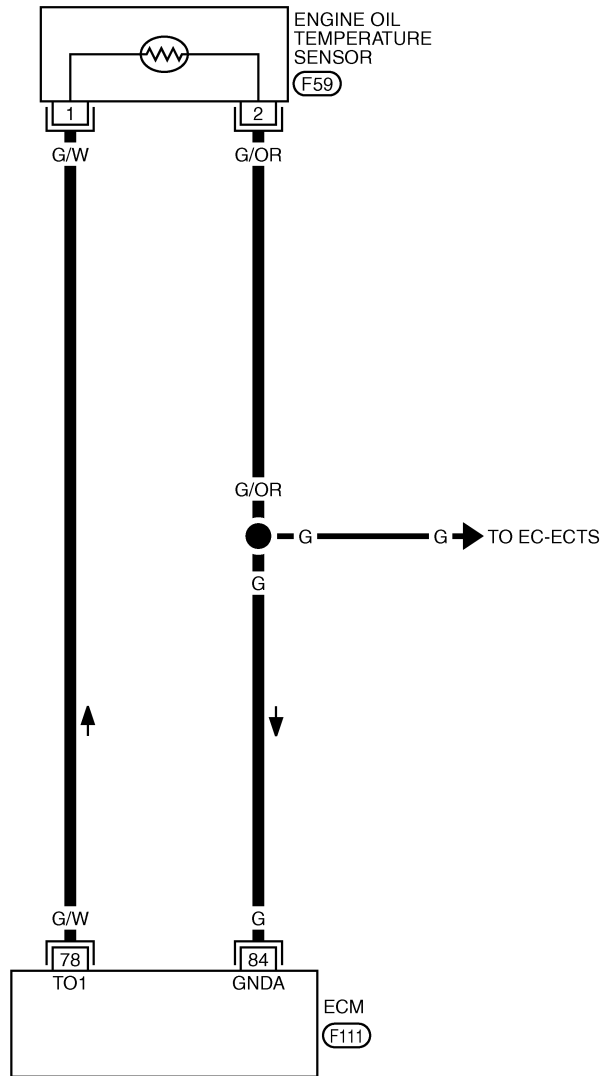
DTC P0197, P0198 EOT SENSOR

Wiring Diagram

NBS006TT

EC-EOTS-01

: DETECTABLE LINE FOR DTC
 : NON-DETECTABLE LINE FOR DTC



TBWT1684E

DTC P0197, P0198 EOT SENSOR

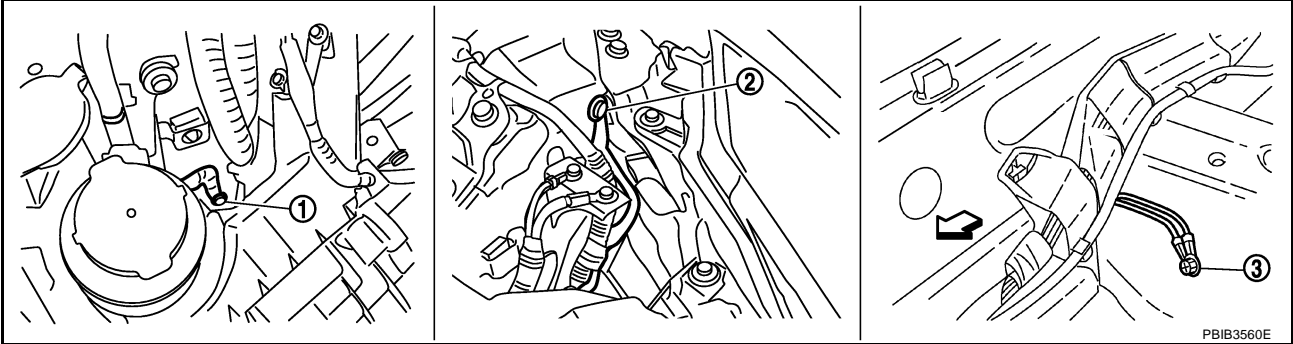
NBS006TU

Diagnostic Procedure

1. CHECK GROUND CONNECTIONS

Models with VDC system, navigation system or telephone

1. Turn ignition switch OFF.
2. Loosen and retighten ground screws on the body. Refer to [EC-150, "Ground Inspection"](#).



1. Body ground E17

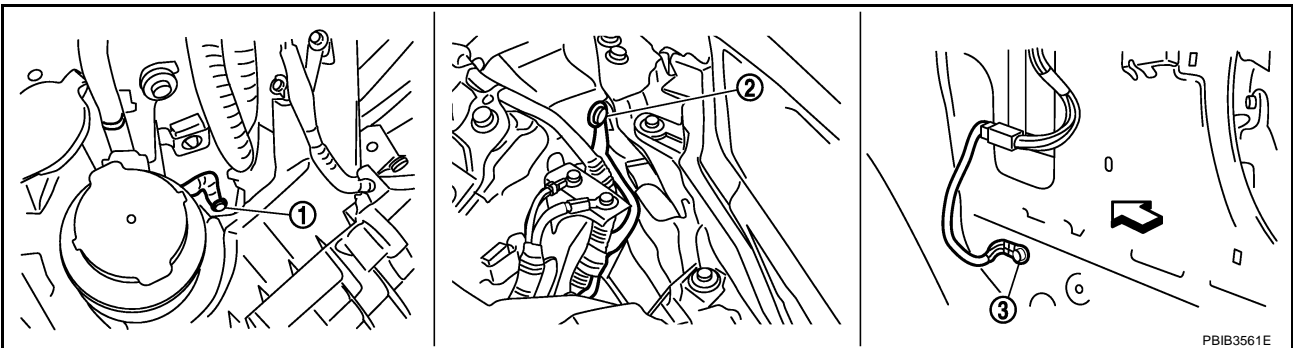
2. Body ground E43

3. Body ground B102

↔ Vehicle front

Models without VDC system, navigation system and telephone

1. Turn ignition switch OFF.
2. Loosen and retighten ground screws on the body. Refer to [EC-150, "Ground Inspection"](#).



1. Body ground E17

2. Body ground E43

3. Body ground F152
(Passenger side view with dash side
finisher removed)

↔ Vehicle front

OK or NG

- OK >> GO TO 2.
NG >> Repair or replace ground connections.

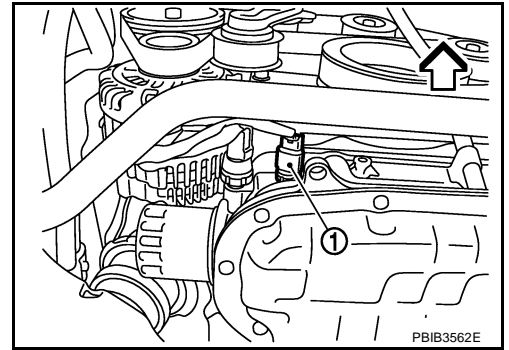
DTC P0197, P0198 EOT SENSOR

2. CHECK EOT SENSOR POWER SUPPLY CIRCUIT

1. Disconnect engine oil temperature (EOT) sensor (1) harness connector.

⇐ : Vehicle front

2. Turn ignition switch ON.



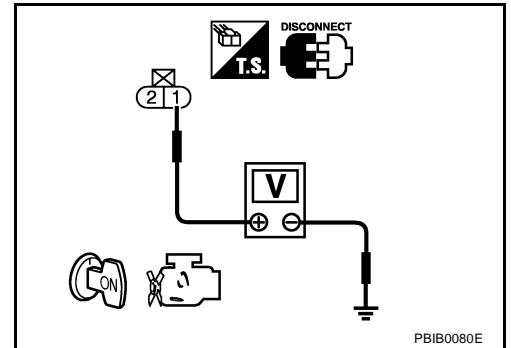
3. Check voltage between EOT sensor terminal 1 and ground with CONSULT-III or tester.

Voltage: Approximately 5V

OK or NG

OK >> GO TO 3.

NG >> Repair open circuit or short to ground or short to power in harness or connectors.



3. CHECK EOT SENSOR GROUND CIRCUIT FOR OPEN AND SHORT

1. Turn ignition switch OFF.
2. Disconnect ECM harness connector.
3. Check harness continuity between ECM terminal 84 and ECT sensor terminal 2. Refer to Wiring Diagram.

Continuity should exist.

4. Also check harness for short to ground and short to power.

OK or NG

OK >> GO TO 4.

NG >> Repair open circuit or short to ground or short to power in harness or connectors.

4. CHECK ENGINE OIL TEMPERATURE SENSOR

Refer to [EC-360, "Component Inspection"](#) .

OK or NG

OK >> GO TO 5.

NG >> Replace engine oil temperature sensor.

5. CHECK INTERMITTENT INCIDENT

Refer to [EC-141, "TROUBLE DIAGNOSIS FOR INTERMITTENT INCIDENT"](#) .

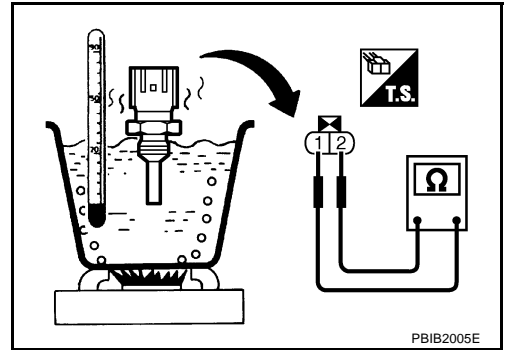
>> **INSPECTION END**

DTC P0197, P0198 EOT SENSOR

NBS006TV

Component Inspection ENGINE OIL TEMPERATURE SENSOR

1. Check resistance between engine oil temperature sensor terminals 1 and 2 as shown in the figure.

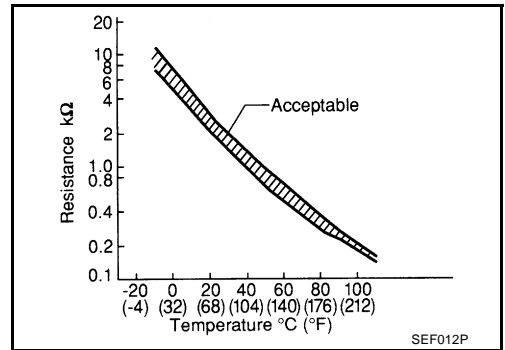


PBIB2005E

<Reference data>

Temperature °C (°F)	Resistance kΩ
20 (68)	2.1 - 2.9
50 (122)	0.68 - 1.00
90 (194)	0.236 - 0.260

2. If NG, replace engine oil temperature sensor.



SEF012P

Removal and Installation ENGINE OIL TEMPERATURE SENSOR

Refer to [EM-26, "OIL PAN AND OIL STRAINER"](#).

NBS006TW

DTC P0222, P0223, P2132, P2133 TP SENSOR

DTC P0222, P0223, P2132, P2133 TP SENSOR

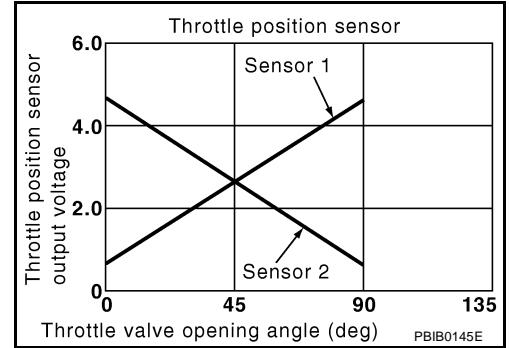
PF16:16119

Component Description

NBS0007M

Electric throttle control actuator consists of throttle control motor, throttle position sensor, etc. The throttle position sensor responds to the throttle valve movement.

The throttle position sensor has two sensors. These sensors are a kind of potentiometers which transform the throttle valve position into output voltage, and emit the voltage signal to the ECM. In addition, these sensors detect the opening and closing speed of the throttle valve and feed the voltage signals to the ECM. The ECM judges the current opening angle of the throttle valve from these signals and the ECM controls the throttle control motor to make the throttle valve opening angle properly in response to driving condition.



CONSULT-III Reference Value in Data Monitor Mode

NBS0007N

Specification data are reference values.

MONITOR ITEM	CONDITION	SPECIFICATION
TP SEN 1-B1 TP SEN 1-B2 TP SEN 2-B1* TP SEN 2-B2*	<ul style="list-style-type: none"> Ignition switch: ON (Engine stopped) Accelerator pedal: Fully released 	More than 0.36V
	<ul style="list-style-type: none"> Shift lever: D (A/T), 1st (M/T) Accelerator pedal: Fully depressed 	Less than 4.75V

*: Throttle position sensor 2 signal is converted by ECM internally. Thus, it differs from ECM terminal voltage signal.

On Board Diagnosis Logic

NBS0007O

These self-diagnoses have the one trip detection logic.

NOTE:

If DTC P0222, P0223, P2132 or P2133 is displayed with DTC P0643, first perform the trouble diagnosis for DTC P0643. Refer to [EC-514, "DTC P0643 SENSOR POWER SUPPLY"](#).

DTC No.	Trouble diagnosis name	DTC detecting condition	Possible cause
P0222 0222 (Bank 1)	Throttle position sensor 1 circuit low input	An excessively low voltage from the TP sensor 1 is sent to ECM.	<ul style="list-style-type: none"> Harness or connectors (TP sensor 1 circuit is open or shorted.) Electric throttle control actuator (TP sensor 1)
P2132 2133 (Bank 2)			
P0223 0223 (Bank 1)	Throttle position sensor 1 circuit high input	An excessively high voltage from the TP sensor 1 is sent to ECM.	
P2133 2133 (Bank 2)			

FAIL-SAFE MODE

When the malfunction is detected, ECM enters fail-safe mode and the MIL lights up.

Engine operation condition in fail-safe mode

The ECM controls the electric throttle control actuator in regulating the throttle opening in order for the idle position to be within +10 degrees.

The ECM regulates the opening speed of the throttle valve to be slower than the normal condition.

So, the acceleration will be poor.

DTC P0222, P0223, P2132, P2133 TP SENSOR

DTC Confirmation Procedure

NBS0007P

NOTE:

If DTC Confirmation Procedure has been previously conducted, always turn ignition switch OFF and wait at least 10 seconds before conducting the next test.

TESTING CONDITION:

Before performing the following procedure, confirm that battery voltage is more than 8V at idle.

WITH CONSULT-III

1. Start engine and let it idle for 1 second.
2. Check DTC.
3. If DTC is detected, go to [EC-367, "Diagnostic Procedure"](#).

WITH GST

Follow the procedure "WITH CONSULT-III" above.

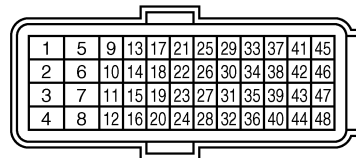
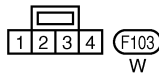
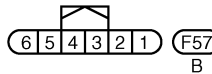
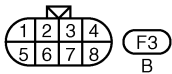
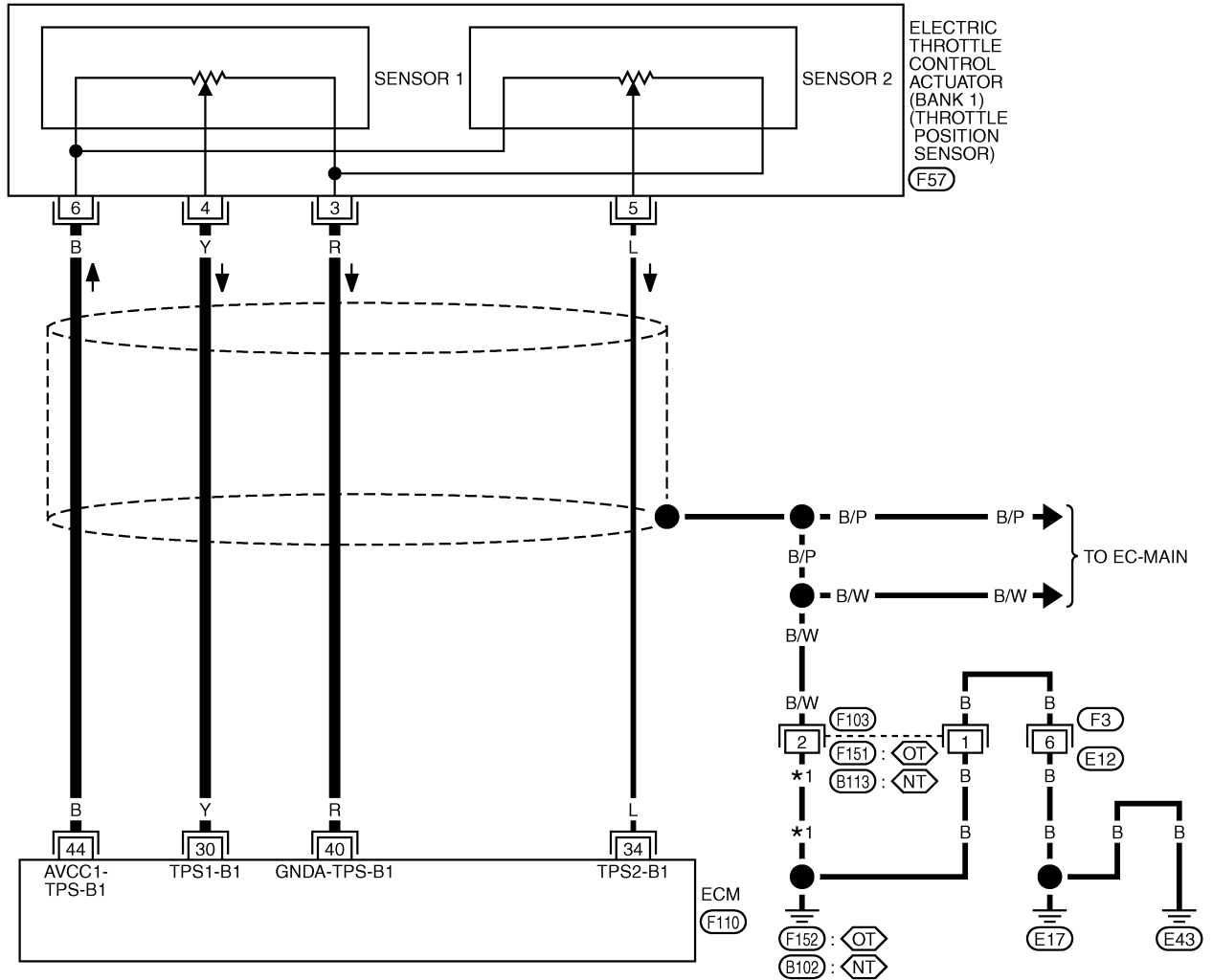
DTC P0222, P0223, P2132, P2133 TP SENSOR

Wiring Diagram BANK 1

NBS006V3

EC-TPS1B1-01

- : DETECTABLE LINE FOR DTC
- : NON-DETECTABLE LINE FOR DTC
- ⬠** : WITH VDC SYSTEM, NAVIGATION SYSTEM OR TELEPHONE
- ⬡** : WITHOUT VDC SYSTEM, NAVIGATION SYSTEM AND TELEPHONE
- *1 B : **⬠**
- B/W : **⬡**



TBWT1641E

DTC P0222, P0223, P2132, P2133 TP SENSOR

Specification data are reference values and are measured between each terminal and ground.

CAUTION:

Do not use ECM ground terminals when measuring input/output voltage. Doing so may result in damage to the ECM's transistor. Use a ground other than ECM terminals, such as the ground.

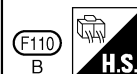
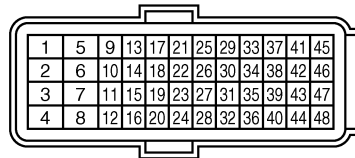
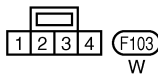
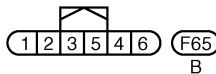
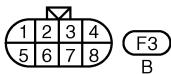
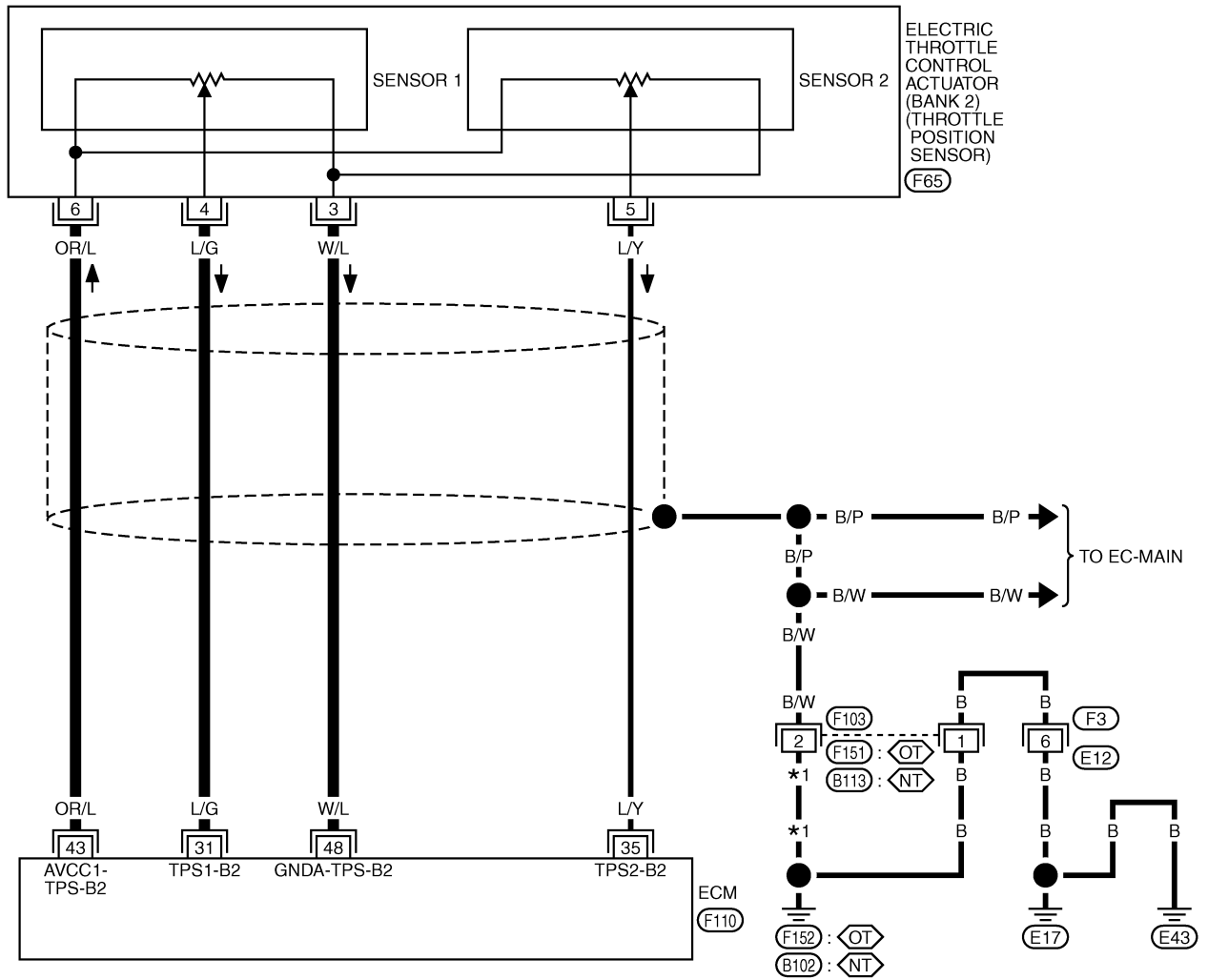
TER-MINAL NO.	WIRE COLOR	ITEM	CONDITION	DATA (DC Voltage)
30	Y	Throttle position sensor 1 (bank 1)	[Ignition switch: ON] <ul style="list-style-type: none"> ● Engine stopped ● Shift lever: D (A/T) or 1st (M/T) ● Accelerator pedal: Fully released 	More than 0.36V
			[Ignition switch: ON] <ul style="list-style-type: none"> ● Engine stopped ● Shift lever: D (A/T) or 1st (M/T) ● Accelerator pedal: Fully depressed 	Less than 4.75V
34	L	Throttle position sensor 2 (bank 1)	[Ignition switch: ON] <ul style="list-style-type: none"> ● Engine stopped ● Shift lever: D (A/T) or 1st (M/T) ● Accelerator pedal: Fully released 	Less than 4.75V
			[Ignition switch: ON] <ul style="list-style-type: none"> ● Engine stopped ● Shift lever: D (A/T) or 1st (M/T) ● Accelerator pedal: Fully depressed 	More than 0.36V
40	R	Sensor ground [Throttle position sensor (bank 1)]	[Engine is running] <ul style="list-style-type: none"> ● Warm-up condition ● Idle speed 	0V
44	B	Sensor power supply [Throttle position sensor (bank 1)]	[Ignition switch: ON]	5V

DTC P0222, P0223, P2132, P2133 TP SENSOR

BANK 2

EC-TPS1B2-01

- : DETECTABLE LINE FOR DTC
- : NON-DETECTABLE LINE FOR DTC
- ◊NT** : WITH VDC SYSTEM, NAVIGATION SYSTEM OR TELEPHONE
- ◊OT** : WITHOUT VDC SYSTEM, NAVIGATION SYSTEM AND TELEPHONE
- *1 B : **◊NT**
- B/W : **◊OT**



TBWT1642E

DTC P0222, P0223, P2132, P2133 TP SENSOR

Specification data are reference values and are measured between each terminal and ground.

CAUTION:

Do not use ECM ground terminals when measuring input/output voltage. Doing so may result in damage to the ECM's transistor. Use a ground other than ECM terminals, such as the ground.

TER-MINAL NO.	WIRE COLOR	ITEM	CONDITION	DATA (DC Voltage)
31	L/G	Throttle position sensor 1 (bank 2)	[Ignition switch: ON] <ul style="list-style-type: none"> ● Engine stopped ● Shift lever: D (A/T) or 1st (M/T) ● Accelerator pedal: Fully released 	More than 0.36V
			[Ignition switch: ON] <ul style="list-style-type: none"> ● Engine stopped ● Shift lever: D (A/T) or 1st (M/T) ● Accelerator pedal: Fully depressed 	Less than 4.75V
35	L/Y	Throttle position sensor 2 (bank 2)	[Ignition switch: ON] <ul style="list-style-type: none"> ● Engine stopped ● Shift lever: D (A/T) or 1st (M/T) ● Accelerator pedal: Fully released 	Less than 4.75V
			[Ignition switch: ON] <ul style="list-style-type: none"> ● Engine stopped ● Shift lever: D (A/T) or 1st (M/T) ● Accelerator pedal: Fully depressed 	More than 0.36V
43	OR/L	Sensor power supply [Throttle position sensor (bank 2)]	[Ignition switch: ON]	5V
48	W/L	Sensor ground [Throttle position sensor (bank 2)]	[Engine is running] <ul style="list-style-type: none"> ● Warm-up condition ● Idle speed 	0V

DTC P0222, P0223, P2132, P2133 TP SENSOR

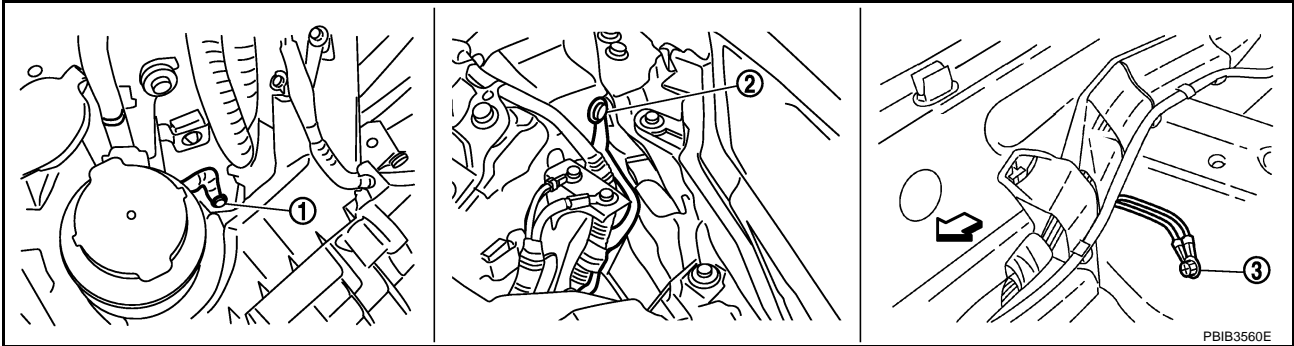
NBS0007R

Diagnostic Procedure

1. CHECK GROUND CONNECTIONS

Models with VDC system, navigation system or telephone

1. Turn ignition switch OFF.
2. Loosen and retighten ground screws on the body. Refer to [EC-150, "Ground Inspection"](#) .



1. Body ground E17

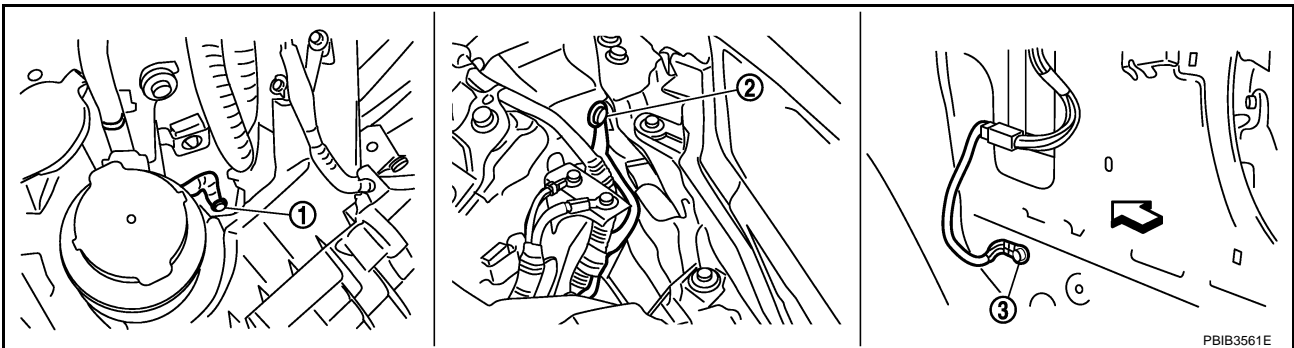
2. Body ground E43

3. Body ground B102

↔ Vehicle front

Models without VDC system, navigation system and telephone

1. Turn ignition switch OFF.
2. Loosen and retighten ground screws on the body. Refer to [EC-150, "Ground Inspection"](#) .



1. Body ground E17

2. Body ground E43

3. Body ground F152
(Passenger side view with dash side
finisher removed)

↔ Vehicle front

OK or NG

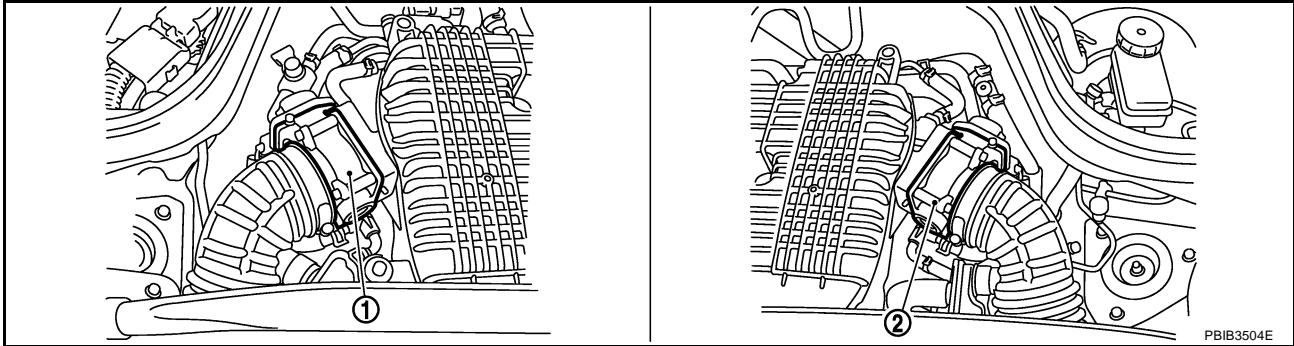
- OK >> GO TO 2.
NG >> Repair or replace ground connections.

A
EC
C
D
E
F
G
H
I
J
K
L
M

DTC P0222, P0223, P2132, P2133 TP SENSOR

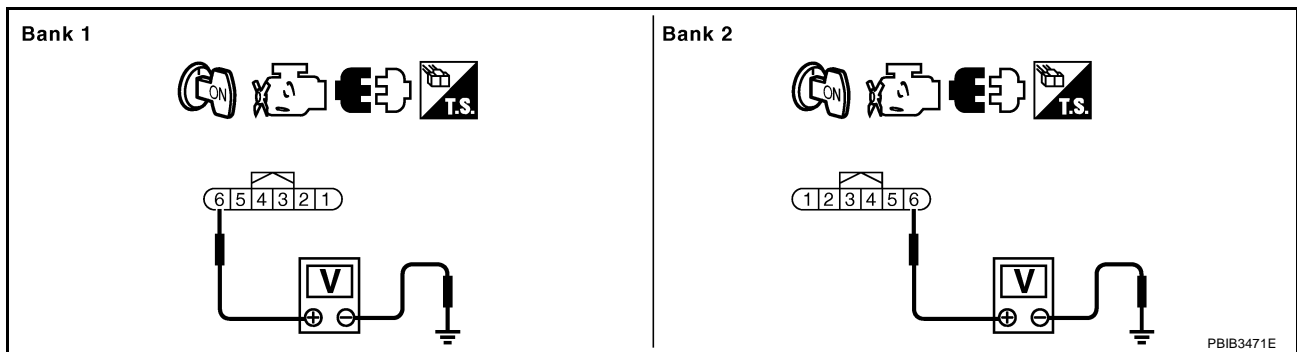
2. CHECK THROTTLE POSITION SENSOR 1 POWER SUPPLY CIRCUIT-I

1. Disconnect electric throttle control actuator harness connector.



1. Electric throttle control actuator (bank 1)
2. Electric throttle control actuator (bank 2)

2. Turn ignition switch ON.
3. Check voltage between electric throttle control actuator terminal 6 and ground with CONSULT-III or tester.



Voltage: Approximately 5V

OK or NG

- OK >> GO TO 3.
- NG >> Repair open circuit or short to ground or short to power in harness.

3. CHECK THROTTLE POSITION SENSOR 1 POWER SUPPLY CIRCUIT-II

1. Turn ignition switch OFF.
2. Disconnect ECM harness connector.
3. Check harness continuity between electric throttle control actuator terminal 6 and ECM terminal 44 (bank 1) or 43 (bank 2). Refer to Wiring Diagram.

Continuity should exist.

OK or NG

- OK >> GO TO 4.
- NG >> Repair open circuit.

DTC P0222, P0223, P2132, P2133 TP SENSOR

4. CHECK THROTTLE POSITION SENSOR 1 GROUND CIRCUIT FOR OPEN AND SHORT

1. Turn ignition switch OFF.
2. Disconnect ECM harness connector.
3. Check harness continuity between electric throttle control actuator terminal 3 and ECM terminal 40 (bank 1) or 48 (bank 2). Refer to Wiring Diagram.

Continuity should exist.

4. Also check harness for short to ground and short to power.

OK or NG

OK >> GO TO 5.

NG >> Repair open circuit or short to ground or short to power in harness or connectors.

5. CHECK THROTTLE POSITION SENSOR 1 INPUT SIGNAL CIRCUIT FOR OPEN AND SHORT

1. Check harness continuity between ECM terminal 30 (bank 1) or 31 (bank 2) and electric throttle control actuator terminal 4. Refer to Wiring Diagram.

Continuity should exist.

2. Also check harness for short to ground and short to power.

OK or NG

OK >> GO TO 6.

NG >> Repair open circuit or short to ground or short to power in harness or connectors.

6. CHECK THROTTLE POSITION SENSOR

Refer to [EC-369, "Component Inspection"](#) .

OK or NG

OK >> GO TO 8.

NG >> GO TO 7.

7. REPLACE ELECTRIC THROTTLE CONTROL ACTUATOR

1. Replace the electric throttle control actuator.
2. Perform [EC-77, "Throttle Valve Closed Position Learning"](#) .
3. Perform [EC-77, "Idle Air Volume Learning"](#) .

>> INSPECTION END

8. CHECK INTERMITTENT INCIDENT

Refer to [EC-141, "TROUBLE DIAGNOSIS FOR INTERMITTENT INCIDENT"](#) .

>> INSPECTION END

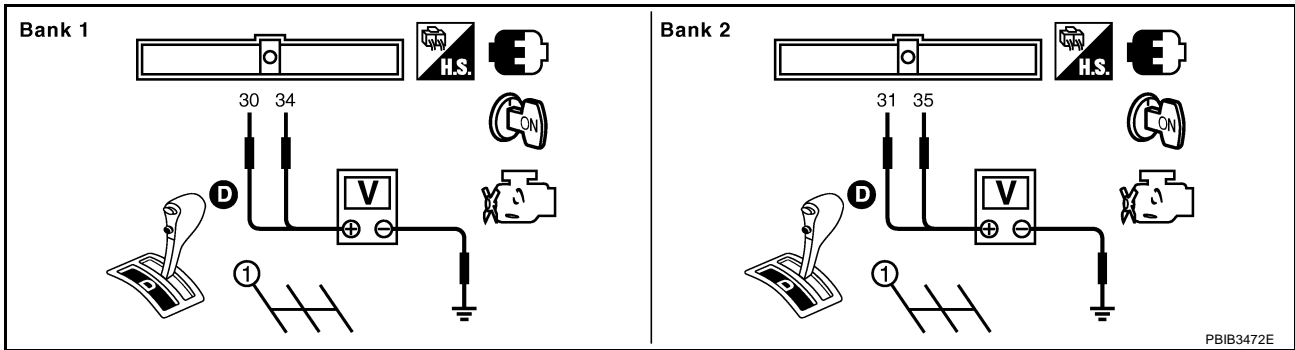
Component Inspection THROTTLE POSITION SENSOR

NBS006V4

1. Reconnect all harness connectors disconnected.
2. Perform [EC-77, "Throttle Valve Closed Position Learning"](#) .
3. Turn ignition switch ON.
4. Set shift lever to D (A/T) or 1st (M/T) position.

DTC P0222, P0223, P2132, P2133 TP SENSOR

5. Check voltage between ECM terminals 30 [TP sensor 1 (bank 1) signal], 31 [TP sensor 1 (bank 2) signal], 34 [TP sensor 2 (bank 1) signal], 35 [TP sensor 2 (bank 2) signal] and ground under the following conditions.



Terminal	Accelerator pedal	Voltage
30 [TP sensor 1 (bank 1)]	Fully released	More than 0.36V
31 [TP sensor 1 (bank 2)]	Fully depressed	Less than 4.75V
34 [TP sensor 2 (bank 1)]	Fully released	Less than 4.75V
35 [TP sensor 2 (bank 2)]	Fully depressed	More than 0.36V

6. If NG, replace electric throttle control actuator and go to the next step.
 7. Perform [EC-77, "Throttle Valve Closed Position Learning"](#) .
 8. Perform [EC-77, "Idle Air Volume Learning"](#) .

Removal and Installation ELECTRIC THROTTLE CONTROL ACTUATOR

Refer to [EM-17, "INTAKE MANIFOLD COLLECTOR"](#) .

NBS006V5

DTC P0300 - P0306 MULTIPLE CYLINDER MISFIRE, NO. 1 - 6 CYLINDER MISFIRE

DTC P0300 - P0306 MULTIPLE CYLINDER MISFIRE, NO. 1 - 6 CYLINDER MISFIRE

PF0:00000

On Board Diagnosis Logic

NBS0007U

When a misfire occurs, engine speed will fluctuate. If the engine speed fluctuates enough to cause the crankshaft position (CKP) sensor (POS) signal to vary, ECM can determine that a misfire is occurring.

Sensor	Input Signal to ECM	ECM function
Crankshaft position sensor (POS)	Engine speed	On board diagnosis of misfire

The misfire detection logic consists of the following two conditions.

1. One Trip Detection Logic (Three Way Catalyst Damage)

On the 1st trip that a misfire condition occurs that can damage the three way catalyst (TWC) due to overheating, the MIL will blink.

When a misfire condition occurs, the ECM monitors the CKP sensor signal every 200 engine revolutions for a change.

When the misfire condition decreases to a level that will not damage the TWC, the MIL will turn off.

If another misfire condition occurs that can damage the TWC on a 2nd trip, the MIL will blink.

When the misfire condition decreases to a level that will not damage the TWC, the MIL will remain on.

If another misfire condition occurs that can damage the TWC, the MIL will begin to blink again.

2. Two Trip Detection Logic (Exhaust quality deterioration)

For misfire conditions that will not damage the TWC (but will affect vehicle emissions), the MIL will only light when the misfire is detected on a 2nd trip. During this condition, the ECM monitors the CKP sensor signal every 1,000 engine revolutions.

A misfire malfunction can be detected on any one cylinder or on multiple cylinders.

DTC No.	Trouble diagnosis name	DTC detecting condition	Possible cause
P0300 0300	Multiple cylinder misfire detected	Multiple cylinder misfire.	<ul style="list-style-type: none"> ● Improper spark plug ● Insufficient compression
P0301 0301	No.1 cylinder misfire detected	No. 1 cylinder misfires.	<ul style="list-style-type: none"> ● Incorrect fuel pressure
P0302 0302	No. 2 cylinder misfire detected	No. 2 cylinder misfires.	<ul style="list-style-type: none"> ● The fuel injector circuit is open or shorted ● Fuel injector
P0303 0303	No. 3 cylinder misfire detected	No. 3 cylinder misfires.	<ul style="list-style-type: none"> ● Intake air leak
P0304 0304	No. 4 cylinder misfire detected	No. 4 cylinder misfires.	<ul style="list-style-type: none"> ● The ignition signal circuit is open or shorted
P0305 0305	No. 5 cylinder misfire detected	No. 5 cylinder misfires.	<ul style="list-style-type: none"> ● Lack of fuel ● Signal plate
P0306 0306	No. 6 cylinder misfire detected	No. 6 cylinder misfires.	<ul style="list-style-type: none"> ● Air fuel ratio (A/F) sensor 1 ● Incorrect PCV hose connection

DTC P0300 - P0306 MULTIPLE CYLINDER MISFIRE, NO. 1 - 6 CYLINDER MISFIRE

DTC Confirmation Procedure

NBS0007V

CAUTION:

Always drive vehicle in safe manner according to traffic conditions and obey all traffic laws when driving.

NOTE:

If DTC Confirmation Procedure has been previously conducted, always turn ignition switch OFF and wait at least 10 seconds before conducting the next test.

WITH CONSULT-III

1. Start engine and warm it up to normal operating temperature.
2. Turn ignition switch OFF and wait at least 10 seconds.
3. Restart engine and let it idle for about 15 minutes.
4. Check 1st trip DTC.
5. If 1st trip DTC is detected, go to [EC-372, "Diagnostic Procedure"](#).

NOTE:

If 1st trip DTC is not detected during above procedure, performing the following procedure is advised.

- a. Turn ignition switch OFF and wait at least 10 seconds.
- b. Start engine and drive the vehicle under the similar conditions to (1st trip) Freeze Frame Data for a certain time. Refer to the table below.

Hold the accelerator pedal as steady as possible.

The similar conditions to (1st trip) Freeze Frame Data means the vehicle operation that the following conditions should be satisfied at the same time.

Engine speed	Engine speed in the freeze frame data \pm 400 rpm
Vehicle speed	Vehicle speed in the freeze frame data \pm 10 km/h (6 MPH)
Engine coolant temperature (T) condition	When the freeze frame data shows lower than 70 °C (158 °F), T should be lower than 70 °C (158 °F).
	When the freeze frame data shows higher than or equal to 70 °C (158 °F), T should be higher than or equal to 70 °C (158 °F).

The time to driving varies according to the engine speed in the freeze frame data.

Engine speed	Time
Around 1,000 rpm	Approximately 10 minutes
Around 2,000 rpm	Approximately 5 minutes
More than 3,000 rpm	Approximately 3.5 minutes

WITH GST

Follow the procedure "WITH CONSULT-III" above.

Diagnostic Procedure

NBS0007W

1. CHECK FOR INTAKE AIR LEAK AND PCV HOSE

1. Start engine and run it at idle speed.
2. Listen for the sound of the intake air leak.
3. Check PCV hose connection.

OK or NG

OK >> GO TO 2.

NG >> Discover air leak location and repair.

DTC P0300 - P0306 MULTIPLE CYLINDER MISFIRE, NO. 1 - 6 CYLINDER MISFIRE

2. CHECK FOR EXHAUST SYSTEM CLOGGING

Stop engine and visually check exhaust tube, three way catalyst and muffler for dents.

OK or NG

- OK (With CONSULT-III)>>GO TO 3.
- OK (Without CONSULT-III)>>GO TO 4.
- NG >> Repair or replace it.

3. PERFORM POWER BALANCE TEST

With CONSULT-III

1. Perform "POWER BALANCE" in "ACTIVE TEST" mode.
2. Is there any cylinder which does not produce a momentary engine speed drop?

Yes or No

- Yes >> GO TO 4.
- No >> GO TO 9.

4. CHECK FUNCTION OF FUEL INJECTOR

With CONSULT-III

1. Start engine.
2. Perform "POWER BALANCE" in "ACTIVE TEST" mode with CONSULT-III.
3. Make sure that each circuit produces a momentary engine speed drop.

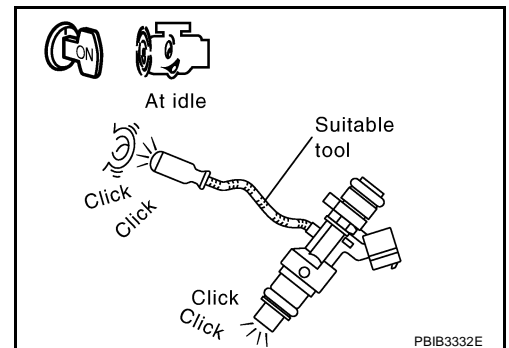
Without CONSULT-III

1. Start engine and let it idle.
2. Listen to each fuel injector operating sound.

Clickng sound should be heard.

OK or NG

- OK >> GO TO 5.
- NG >> Perform trouble diagnosis for FUEL INJECTOR, refer to [EC-686. "FUEL INJECTOR"](#) .



DTC P0300 - P0306 MULTIPLE CYLINDER MISFIRE, NO. 1 - 6 CYLINDER MISFIRE

5. CHECK FUNCTION OF IGNITION COIL-I

CAUTION:

Do the following procedure in the place where ventilation is good without the combustible.

1. Turn ignition switch OFF.
2. Reconnect all harness connectors disconnected.
3. Remove fuel pump fuse in IPDM E/R to release fuel pressure.

NOTE:

Do not use CONSULT-III to release fuel pressure, or fuel pressure applies again during the following procedure.

4. Start engine.
5. After engine stalls, crank it two or three times to release all fuel pressure.
6. Turn ignition switch OFF.
7. Remove all ignition coil harness connectors to avoid the electrical discharge from the ignition coils.
8. Remove ignition coil and spark plug of the cylinder to be checked.
9. Crank engine for 5 seconds or more to remove combustion gas in the cylinder.
10. Connect spark plug and harness connector to ignition coil.
11. Fix ignition coil using a rope etc. with gap of 13 - 17 mm between the edge of the spark plug and grounded metal portion as shown in the figure.
12. Crank engine for about 3 seconds, and check whether spark is generated between the spark plug and the grounded metal portion.

Spark should be generated.

CAUTION:

- Do not approach to the spark plug and the ignition coil within 50cm. Be careful not to get an electrical shock while checking, because the electrical discharge voltage becomes 20kV or more.
- It might cause to damage the ignition coil if the gap of more than 17 mm is taken.

NOTE:

When the gap is less than 13 mm, the spark might be generated even if the coil is malfunctioning.

OK or NG

- OK >> GO TO 9.
- NG >> GO TO 6.

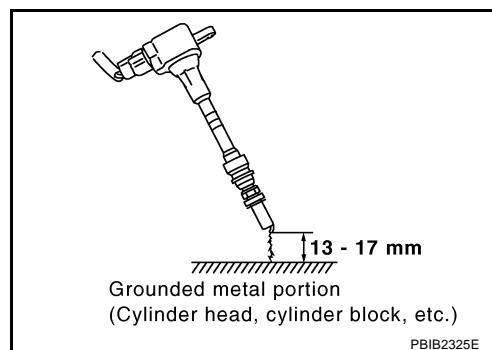
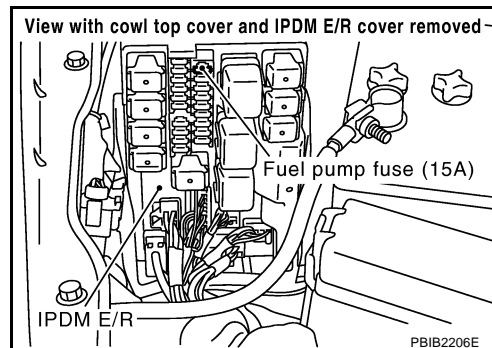
6. CHECK FUNCTION OF IGNITION COIL-II

1. Turn ignition switch OFF.
2. Disconnect spark plug and connect a known-good spark plug.
3. Crank engine for about 3 seconds, and recheck whether spark is generated between the spark plug and the grounded metal portion.

Spark should be generated.

OK or NG

- OK >> GO TO 7.
- NG >> Check ignition coil, power transistor and their circuits. Refer to [EC-698, "IGNITION SIGNAL"](#).



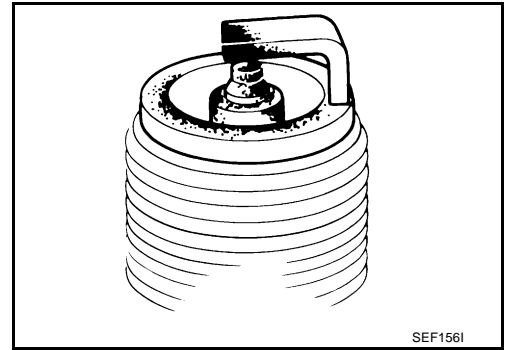
DTC P0300 - P0306 MULTIPLE CYLINDER MISFIRE, NO. 1 - 6 CYLINDER MISFIRE

7. CHECK SPARK PLUG

Check the initial spark plug for fouling, etc.

OK or NG

- OK >> Replace spark plug(s) with standard type one(s). For spark plug type, refer to [MA-18, "Changing Spark Plugs \(Iridium-Tipped Type\)"](#) .
- NG >> 1. Repair or clean spark plug.
2. GO TO 8.



8. CHECK FUNCTION OF IGNITION COIL-III

1. Reconnect the initial spark plugs.
2. Crank engine for about 3 seconds, and recheck whether spark is generated between the spark plug and the grounded portion.

Spark should be generated.

OK or NG

- OK >> **INSPECTION END**
- NG >> Replace spark plug(s) with standard type one(s). For spark plug type, refer to [MA-18, "Changing Spark Plugs \(Iridium-Tipped Type\)"](#) .

9. CHECK COMPRESSION PRESSURE

Check compression pressure. Refer to [EM-89, "CHECKING COMPRESSION PRESSURE"](#) .

OK or NG

- OK >> GO TO 10.
- NG >> Check pistons, piston rings, valves, valve seats and cylinder head gaskets.

10. CHECK FUEL PRESSURE

1. Install all removed parts.
2. Release fuel pressure to zero. Refer to [EC-79, "FUEL PRESSURE RELEASE"](#) .
3. Install fuel pressure gauge and check fuel pressure. Refer to [EC-80, "FUEL PRESSURE CHECK"](#) .

At idle: Approximately 350 kPa (3.57 kg/cm² , 51 psi)

OK or NG

- OK >> GO TO 12.
- NG >> GO TO 11.

11. DETECT MALFUNCTIONING PART

Check the following.

- Fuel pump and circuit (Refer to [EC-691, "FUEL PUMP"](#) .)
- Fuel pressure regulator (Refer to [EC-80, "FUEL PRESSURE CHECK"](#) .)
- Fuel lines (Refer to [FL-3, "Checking Fuel Lines"](#) .)
- Fuel filter for clogging

>> Repair or replace.

DTC P0300 - P0306 MULTIPLE CYLINDER MISFIRE, NO. 1 - 6 CYLINDER MIS-FIRE

12. CHECK IGNITION TIMING

Check the following items. Refer to [EC-71, "Basic Inspection"](#) .

Items	Specifications
Target idle speed	A/T: 650 ± 50 rpm (in P or N position) M/T: 650 ± 50 rpm (in neutral position)
Ignition timing	A/T: $15 \pm 5^\circ$ BTDC (in P or N position) M/T: $15 \pm 5^\circ$ BTDC (in neutral position)

OK or NG

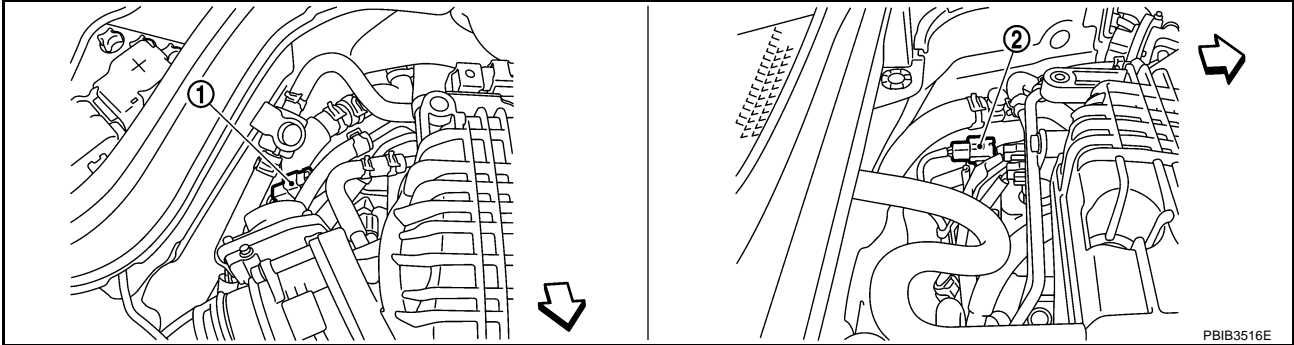
OK >> GO TO 13.

NG >> Follow the [EC-71, "Basic Inspection"](#) .

DTC P0300 - P0306 MULTIPLE CYLINDER MISFIRE, NO. 1 - 6 CYLINDER MISFIRE

13. CHECK A/F SENSOR 1 INPUT SIGNAL

1. Turn ignition switch OFF.
2. Disconnect A/F sensor 1 harness connector.



1. A/F sensor 1 (bank 1) harness connector
2. A/F sensor 1 (bank 2) harness connector

←: Vehicle front

3. Disconnect ECM harness connector.
4. Check harness continuity between the following terminals. Refer to Wiring Diagram.

	A/F sensor 1 terminal	ECM terminal
Bank 1	1	57
	2	61
Bank 2	1	65
	2	66

Continuity should exist.

5. Check harness continuity between the following terminals and ground. Refer to Wiring Diagram.

Bank 1		Bank 2	
A/F sensor 1 terminal	ECM terminal	A/F sensor 1 terminal	ECM terminal
1	57	1	65
2	61	2	66

Continuity should not exist.

6. Also check harness for short to power.

OK or NG

OK >> GO TO 14.

NG >> Repair open circuit or short to ground or short to power in harness or connectors.

14. CHECK A/F SENSOR 1 HEATER

Refer to [EC-172, "Component Inspection"](#).

OK or NG

OK >> GO TO 15.

NG >> Replace malfunctioning A/F sensor 1.

DTC P0300 - P0306 MULTIPLE CYLINDER MISFIRE, NO. 1 - 6 CYLINDER MISFIRE

15. CHECK MASS AIR FLOW SENSOR

With CONSULT-III

1. Start engine and warm it up to normal temperature.
2. Check mass air flow sensor signal in "DATA MONITOR" mode with CONSULT-III.

2.0 - 6.0 g-m/sec: at idling
7.0 - 20.0 g-m/sec: at 2,500 rpm

With GST

1. Start engine and warm it up to normal temperature.
2. Check mass air flow sensor signal in Service \$01 with GST.

2.0 - 6.0 g-m/sec: at idling
7.0 - 20.0 g-m/sec: at 2,500 rpm

OK or NG

OK >> GO TO 16.

NG >> Check connectors for rusted terminals or loose connections in the mass air flow sensor circuit or ground. Refer to [EC-197, "DTC P0101, P010B MAF SENSOR"](#) .

16. CHECK SYMPTOM MATRIX CHART

Check items on the rough idle symptom in [EC-90, "Symptom Matrix Chart"](#) .

OK or NG

OK >> GO TO 17.

NG >> Repair or replace.

17. ERASE THE 1ST TRIP DTC

Some tests may cause a 1st trip DTC to be set.

Erase the 1st trip DTC from the ECM memory after performing the tests.

Refer to [EC-61, "HOW TO ERASE EMISSION-RELATED DIAGNOSTIC INFORMATION"](#) .

>> GO TO 18.

18. CHECK INTERMITTENT INCIDENT

Refer to [EC-141, "TROUBLE DIAGNOSIS FOR INTERMITTENT INCIDENT"](#) .

>> **INSPECTION END**

DTC P0327, P0328, P0332, P0333 KS

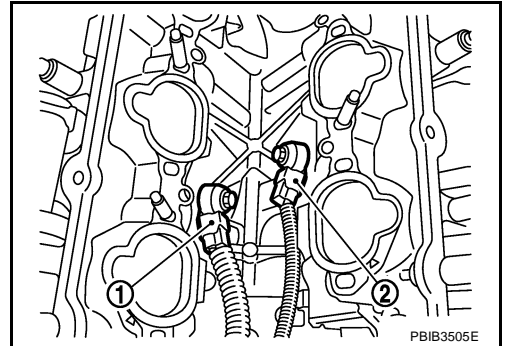
PFP:22060

Component Description

NBS0007X

The knock sensor is attached to the cylinder block. It senses engine knocking using a piezoelectric element. A knocking vibration from the cylinder block is sensed as vibrational pressure. This pressure is converted into a voltage signal and sent to the ECM.

- 1 : Knock sensor (bank 1)
- 2 : Knock sensor (bank 2)



NBS0007Y

On Board Diagnosis Logic

The MIL will not light up for these self-diagnoses.

DTC No.	Trouble diagnosis name	DTC detected condition	Possible cause
P0327 0327 (Bank 1)	Knock sensor circuit low input	An excessively low voltage from the sensor is sent to ECM.	<ul style="list-style-type: none"> ● Harness or connectors (The sensor circuit is open or shorted.) ● Knock sensor
P0332 0332 (Bank 2)			
P0328 0328 (Bank 1)	Knock sensor circuit high input	An excessively high voltage from the sensor is sent to ECM.	
P0333 0333 (Bank 2)			

DTC Confirmation Procedure

NBS0007Z

NOTE:

If DTC Confirmation Procedure has been previously conducted, always turn ignition switch OFF and wait at least 10 seconds before conducting the next test.

TESTING CONDITION:

Before performing the following procedure, confirm that battery voltage is more than 10V at idle.

Ⓟ WITH CONSULT-III

1. Start engine and run it for at least 5 seconds at idle speed.
2. Check 1st trip DTC.
3. If 1st trip DTC is detected, go to [EC-383, "Diagnostic Procedure"](#) .

Ⓢ WITH GST

Follow the procedure "WITH CONSULT-III" above.

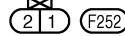
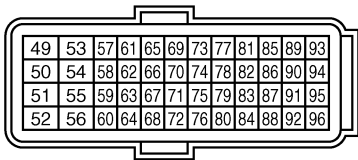
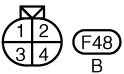
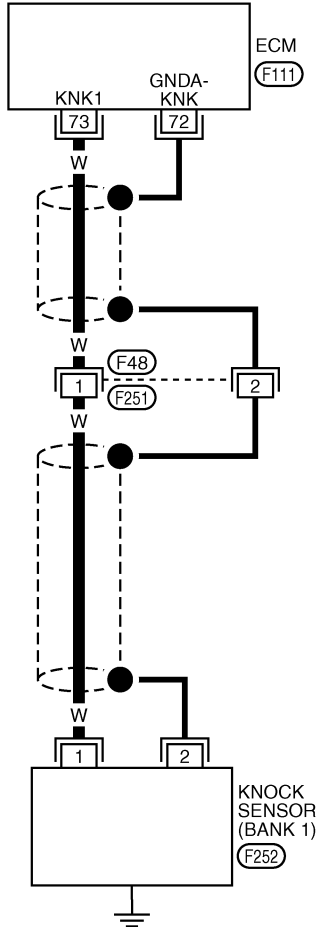
DTC P0327, P0328, P0332, P0333 KS

Wiring Diagram BANK 1

NBS00080

EC-KSB1-01

: DETECTABLE LINE FOR DTC
 : NON-DETECTABLE LINE FOR DTC



TBWT1643E

DTC P0327, P0328, P0332, P0333 KS

Specification data are reference values and are measured between each terminal and ground.

CAUTION:

Do not use ECM ground terminals when measuring input/output voltage. Doing so may result in damage to the ECM's transistor. Use a ground other than ECM terminals, such as the ground.

TER-MINAL NO.	WIRE COLOR	ITEM	CONDITION	DATA (DC Voltage)
72	—	Sensor ground [Knock sensor (bank 1), Knock sensor (bank 2)]	[Engine is running] ● Warm-up condition ● Idle speed	Approximately 0V
73	W	Knock sensor (bank 1)	[Engine is running] ● Idle speed	Approximately 2.5V

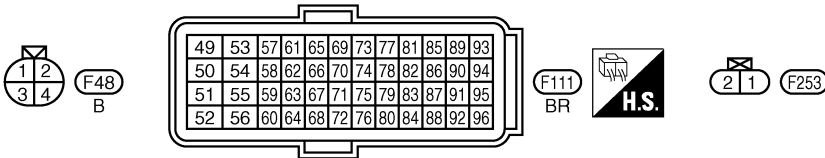
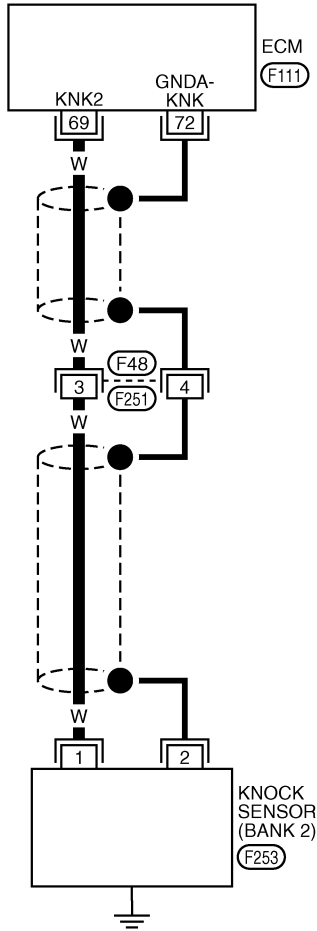
A
EC
C
D
E
F
G
H
I
J
K
L
M

DTC P0327, P0328, P0332, P0333 KS

BANK 2

EC-KSB2-01

— : DETECTABLE LINE FOR DTC
 — : NON-DETECTABLE LINE FOR DTC



TBWT1644E

DTC P0327, P0328, P0332, P0333 KS

Specification data are reference values and are measured between each terminal and ground.

CAUTION:

Do not use ECM ground terminals when measuring input/output voltage. Doing so may result in damage to the ECM's transistor. Use a ground other than ECM terminals, such as the ground.

TER-MINAL NO.	WIRE COLOR	ITEM	CONDITION	DATA (DC Voltage)
69	W	Knock sensor (bank 2)	[Engine is running] ● Idle speed	Approximately 2.5V
72	—	Sensor ground [Knock sensor (bank 1), Knock sensor (bank 2)]	[Engine is running] ● Warm-up condition ● Idle speed	Approximately 0V

Diagnostic Procedure

NBS00081

1. CHECK KNOCK SENSOR INPUT SIGNAL CIRCUIT FOR OPEN AND SHORT-I

1. Turn ignition switch OFF.
2. Disconnect ECM harness connector.
3. Check resistance between ECM terminal 73 (bank 1), 69 (bank 2) and ground. Refer to Wiring Diagram.

NOTE:

It is necessary to use an ohmmeter which can measure more than 10 MΩ.

Resistance: Approximately 532 - 588 kΩ [at 20°C (68°F)]

4. Also check harness for short to ground and short to power.

OK or NG

- OK >> GO TO 5.
- NG >> GO TO 2.

2. CHECK KNOCK SENSOR INPUT SIGNAL CIRCUIT FOR OPEN AND SHORT-II

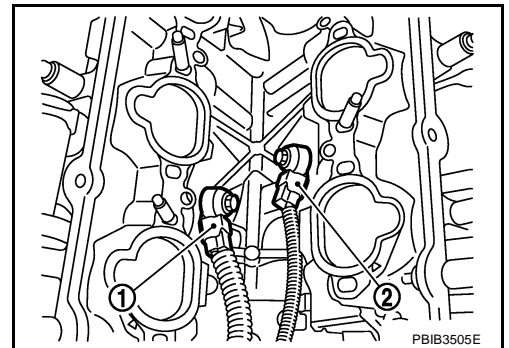
1. Disconnect knock sensor harness connector.
 - 1 : Knock sensor (bank 1)
 - 2 : Knock sensor (bank 2)
2. Check harness continuity between ECM terminal 73 (bank 1), 69 (bank 2) and knock sensor terminal 1. Refer to Wiring Diagram.

Continuity should exist.

3. Also check harness for short to ground and short to power.

OK or NG

- OK >> GO TO 4.
- NG >> GO TO 3.



3. DETECT MALFUNCTIONING PART

Check the following.

- Harness connectors F48, F251
- Harness for open or short between ECM and knock sensor

>> Repair open circuit or short to ground or short to power in harness or connectors.

4. CHECK KNOCK SENSOR

Refer to [EC-385, "Component Inspection"](#) .

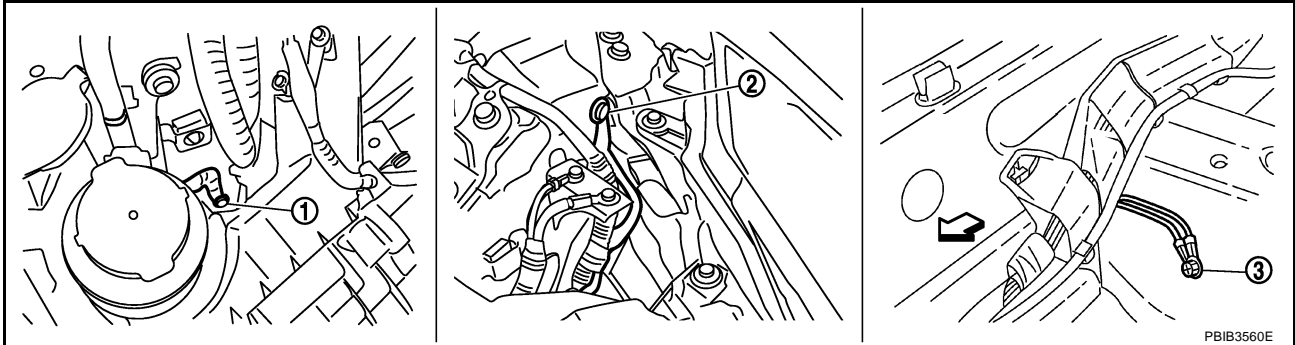
OK or NG

- OK >> GO TO 5.
- NG >> Replace knock sensor.

5. CHECK GROUND CONNECTIONS

Models with VDC system, navigation system or telephone

1. Turn ignition switch OFF.
2. Loosen and retighten ground screws on the body. Refer to [EC-150, "Ground Inspection"](#) .



1. Body ground E17

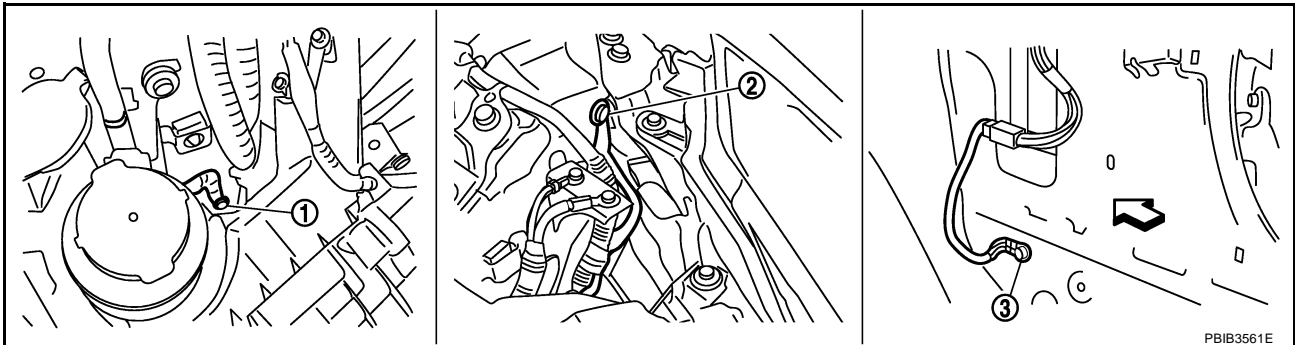
2. Body ground E43

3. Body ground B102

← Vehicle front

Models without VDC system, navigation system and telephone

1. Turn ignition switch OFF.
2. Loosen and retighten ground screws on the body. Refer to [EC-150, "Ground Inspection"](#) .



1. Body ground E17

2. Body ground E43

3. Body ground F152
(Passenger side view with dash side finisher removed)

← Vehicle front

OK or NG

- OK >> GO TO 6.
- NG >> Repair or replace ground connections.

6. CHECK KNOCK SENSOR SHIELD CIRCUIT FOR OPEN AND SHORT

1. Disconnect knock sensor harness connector.
2. Check harness continuity between ECM terminal 72 and knock sensor terminal 2.
Refer to Wiring Diagram.

Continuity should exist.

3. Also check harness for short to power.

OK or NG

- OK >> GO TO 8.
- NG >> GO TO 7.

7. DETECT MALFUNCTIONING PART

Check the following.

- Harness connectors F48, F251
- Harness for open or short between ECM and knock sensor

>> Repair open circuit or short to ground or short to power in harness or connectors.

8. CHECK INTERMITTENT INCIDENT

Refer to [EC-141, "TROUBLE DIAGNOSIS FOR INTERMITTENT INCIDENT"](#) .

>> INSPECTION END

Component Inspection KNOCK SENSOR

Check resistance between knock sensor terminal 1 and ground.

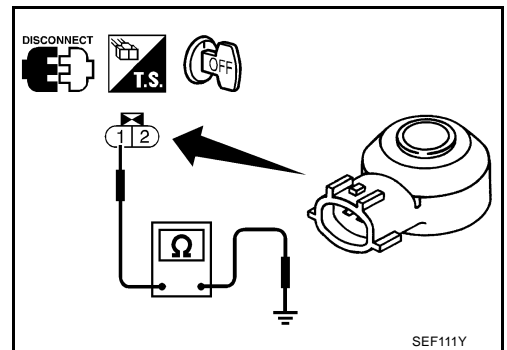
NOTE:

It is necessary to use an ohmmeter which can measure more than 10 MΩ.

Resistance: Approximately 532 - 588 kΩ [at 20°C (68°F)]

CAUTION:

Do not use any knock sensors that have been dropped or physically damaged. Use only new ones.



Removal and Installation KNOCK SENSOR

Refer to [EM-107, "CYLINDER BLOCK"](#) .

DTC P0335 CKP SENSOR (POS)

DTC P0335 CKP SENSOR (POS)

PFP:23731

Component Description

NBS00084

The crankshaft position sensor (POS) is located on the oil pan facing the gear teeth (cogs) of the signal plate. It detects the fluctuation of the engine revolution.

The sensor consists of a permanent magnet and Hall IC.

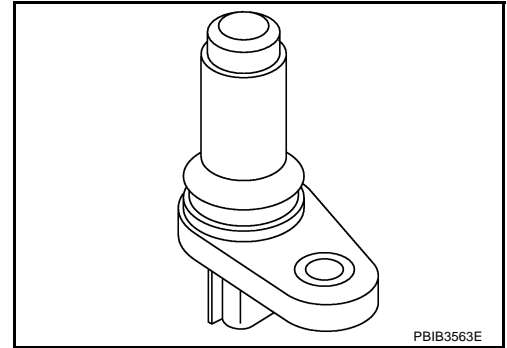
When the engine is running, the high and low parts of the teeth cause the gap with the sensor to change.

The changing gap causes the magnetic field near the sensor to change.

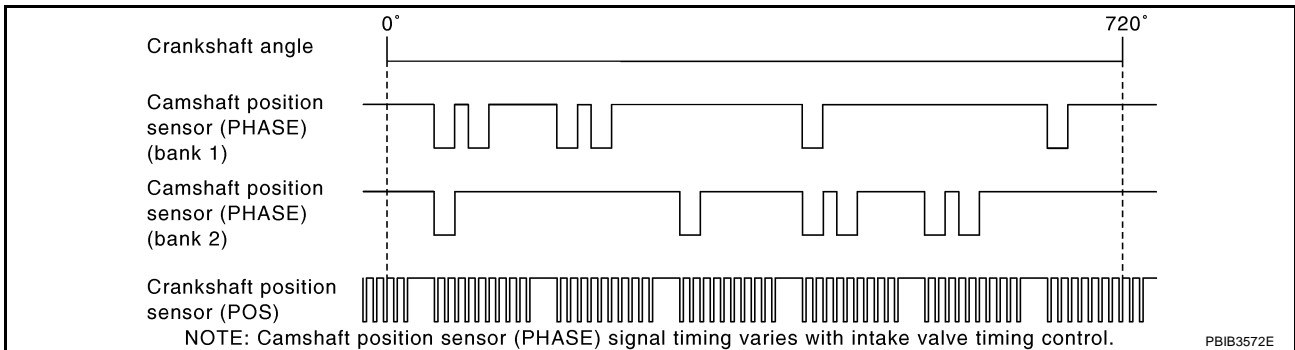
Due to the changing magnetic field, the voltage from the sensor changes.

The ECM receives the voltage signal and detects the fluctuation of the engine revolution.

ECM receives the signals as shown in the figure.



PBIB3563E



PBIB3572E

CONSULT-III Reference Value in Data Monitor Mode

NBS00085

Specification data are reference values.

MONITOR ITEM	CONDITION	SPECIFICATION
ENG SPEED	<ul style="list-style-type: none"> Run engine and compare CONSULT-III value with the tachometer indication. 	Almost the same speed as the tachometer indication.

On Board Diagnosis Logic

NBS00086

DTC No.	Trouble diagnosis name	DTC detecting condition	Possible cause
P0335 0335	Crankshaft position sensor (POS) circuit	<ul style="list-style-type: none"> The crankshaft position sensor (POS) signal is not detected by the ECM during the first few seconds of engine cranking. The proper pulse signal from the crankshaft position sensor (POS) is not sent to ECM while the engine is running. The crankshaft position sensor (POS) signal is not in the normal pattern during engine running. 	<ul style="list-style-type: none"> Harness or connectors [CKP sensor (POS) circuit is open or shorted.] [CMP sensor (PHASE) (bank 2) circuit is shorted.] [EVT control position sensor (bank 2) circuit is shorted.] (APP sensor 2 circuit is shorted.) (EVAP control system pressure sensor circuit is shorted.) (Refrigerant pressure sensor circuit is shorted.) Crankshaft position sensor (POS) Camshaft position sensor (PHASE) (bank 2) Exhaust valve timing control position sensor (bank 2) Accelerator pedal position sensor EVAP control system pressure sensor Refrigerant pressure sensor Signal plate

DTC P0335 CKP SENSOR (POS)

DTC Confirmation Procedure

NBS00087

NOTE:

If DTC Confirmation Procedure has been previously conducted, always turn ignition switch OFF and wait at least 10 seconds before conducting the next test.

TESTING CONDITION:

Before performing the following procedure, confirm that battery voltage is more than 10.5V with ignition switch ON.

WITH CONSULT-III

1. Crank engine for at least 2 seconds and run it for at least 5 seconds at idle speed.
2. Check 1st trip DTC.
3. If 1st trip DTC is detected, go to [EC-390, "Diagnostic Procedure"](#).

WITH GST

Follow the procedure "WITH CONSULT-III" above.

A

EC

C

D

E

F

G

H

I

J

K

L

M

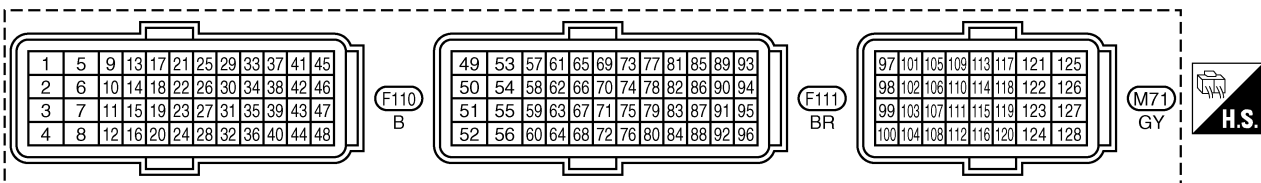
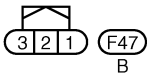
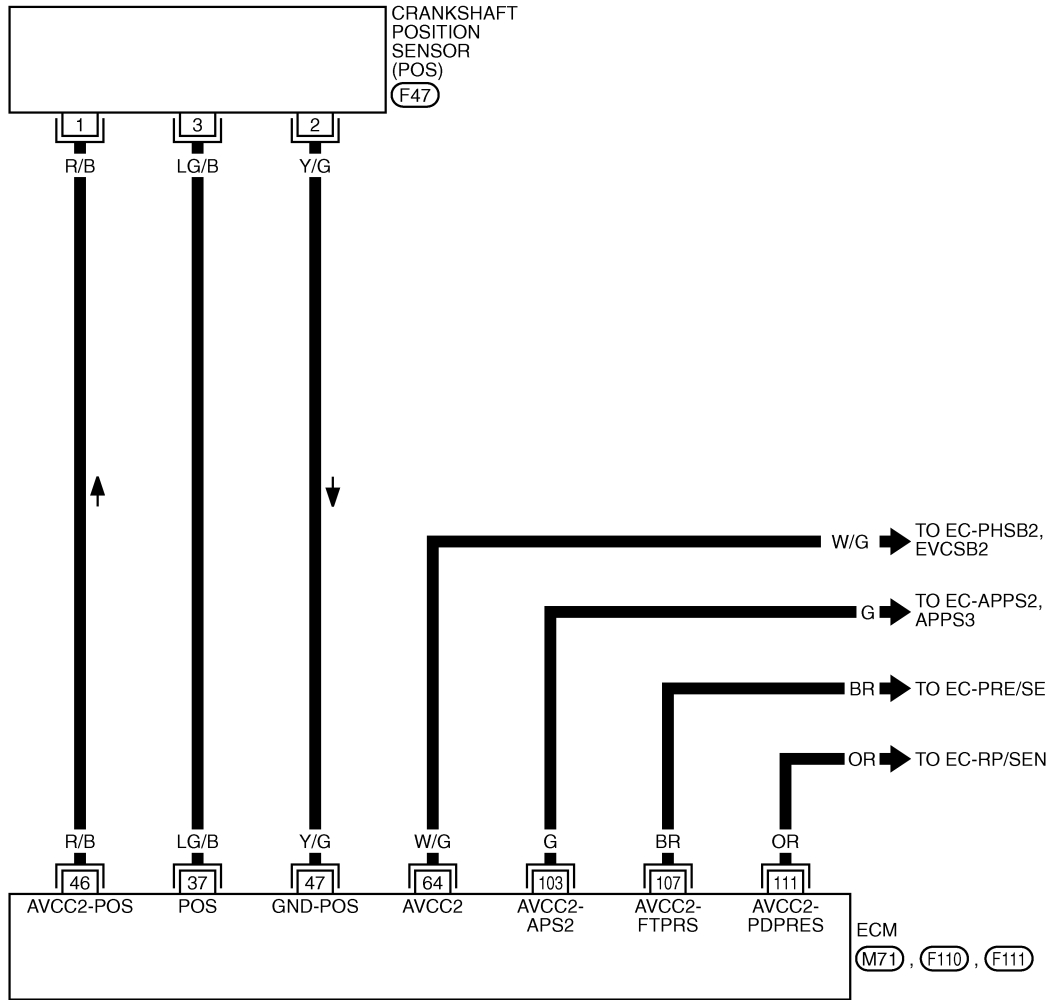
DTC P0335 CKP SENSOR (POS)

Wiring Diagram

NBS00088

EC-POS-01

: DETECTABLE LINE FOR DTC
 : NON-DETECTABLE LINE FOR DTC



TBWT1645E

DTC P0335 CKP SENSOR (POS)

Specification data are reference values and are measured between each terminal and ground.
Pulse signal is measured by CONSULT-III.

CAUTION:

Do not use ECM ground terminals when measuring input/output voltage. Doing so may result in damage to the ECM's transistor. Use a ground other than ECM terminals, such as the ground.

TER-MINAL NO.	WIRE COLOR	ITEM	CONDITION	DATA (DC Voltage)
37	LG/B	Crankshaft position sensor (POS)	[Engine is running] <ul style="list-style-type: none"> ● Warm-up condition ● Idle speed NOTE: The pulse cycle changes depending on rpm at idle.	4.0 - 5.0V★
			[Engine is running] <ul style="list-style-type: none"> ● Engine speed: 2,000 rpm 	4.0 - 5.0V★
46	R/B	Sensor power supply [Crankshaft position sensor (POS)]	[Ignition switch: ON]	5V
47	Y/G	Sensor ground [Crankshaft position sensor (POS)]	[Engine is running] <ul style="list-style-type: none"> ● Warm-up condition ● Idle speed 	0V
64	W/G	Sensor power supply [Camshaft position sensor (PHASE) (bank 2), Exhaust valve timing control position sensor (bank 2)]	[Ignition switch: ON]	5V
103	G	Sensor power supply (Accelerator pedal position sensor 2)	[Ignition switch: ON]	5V
107	BR	Sensor power supply (EVAP control system pressure sensor)	[Ignition switch: ON]	5V
111	OR	Sensor power supply (Refrigerant pressure sensor)	[Ignition switch: ON]	5V

★: Average voltage for pulse signal (Actual pulse signal can be confirmed by oscilloscope.)

DTC P0335 CKP SENSOR (POS)

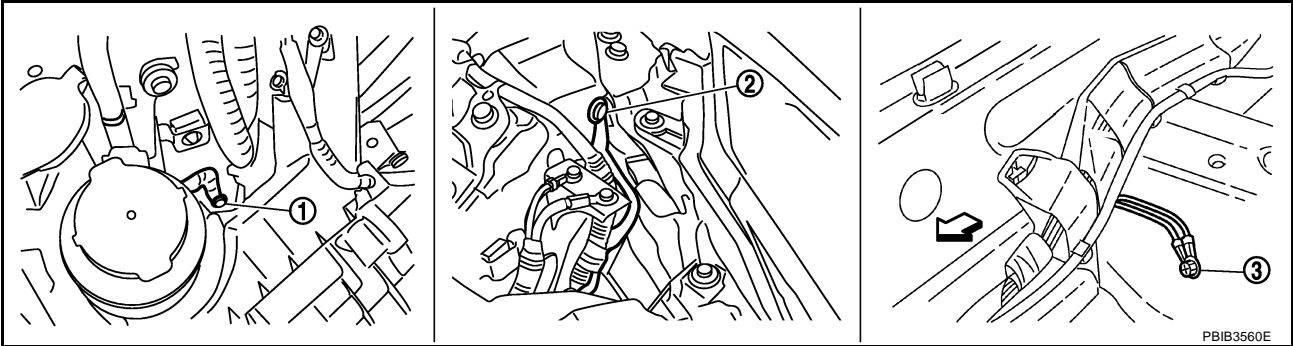
NBS00089

Diagnostic Procedure

1. CHECK GROUND CONNECTIONS

Models with VDC system, navigation system or telephone

1. Turn ignition switch OFF.
2. Loosen and retighten ground screws on the body. Refer to [EC-150, "Ground Inspection"](#) .



1. Body ground E17

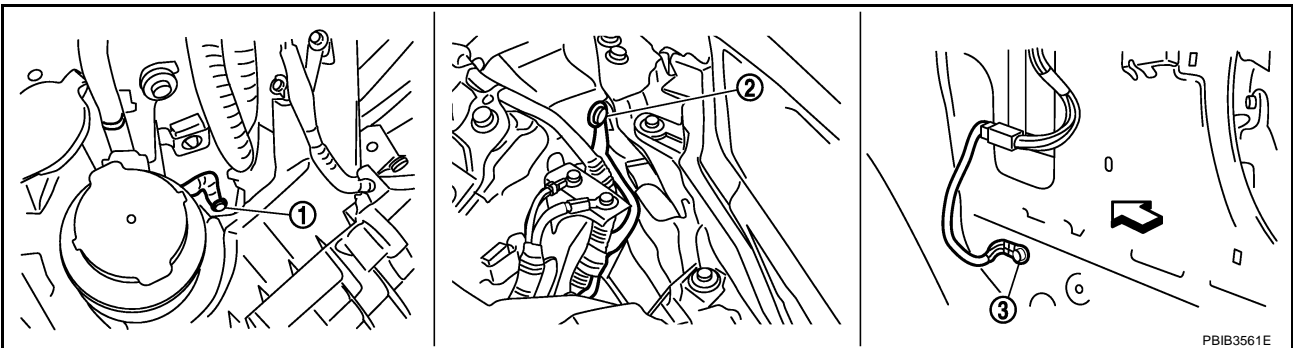
2. Body ground E43

3. Body ground B102

↔ Vehicle front

Models without VDC system, navigation system and telephone

1. Turn ignition switch OFF.
2. Loosen and retighten ground screws on the body. Refer to [EC-150, "Ground Inspection"](#) .



1. Body ground E17

2. Body ground E43

3. Body ground F152
(Passenger side view with dash side
finisher removed)

↔ Vehicle front

OK or NG

- OK >> GO TO 2.
NG >> Repair or replace ground connections.

DTC P0335 CKP SENSOR (POS)

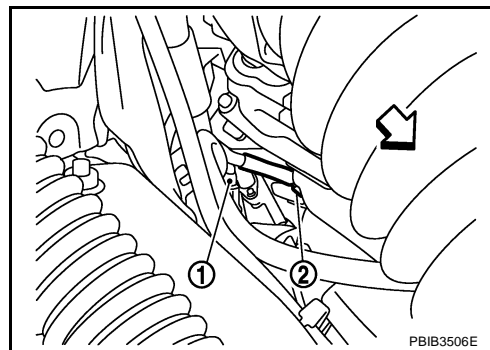
2. CHECK CRANKSHAFT POSITION (CKP) SENSOR (POS) POWER SUPPLY CIRCUIT-I

1. Disconnect crankshaft position (CKP) sensor (POS) (2) harness connector.

1 : A/F sensor 1 (bank 1)

↔ : Vehicle front

2. Turn ignition switch ON.



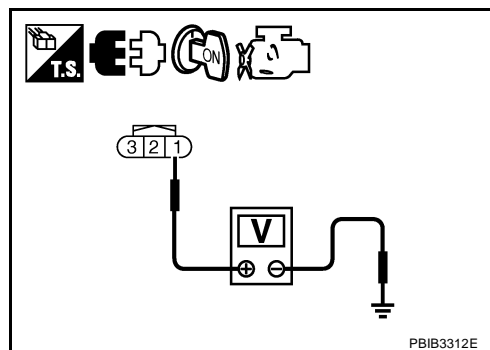
3. Check voltage between CKP sensor (POS) terminal 1 and ground with CONSULT-III or tester.

Voltage: Approximately 5V

OK or NG

OK >> GO TO 8.

NG >> GO TO 3.



3. CHECK CKP SENSOR (POS) POWER SUPPLY CIRCUIT-II

1. Turn ignition switch OFF.
2. Disconnect ECM harness connector.
3. Check harness continuity between CKP sensor (POS) terminal 1 and ECM terminal 46. Refer to Wiring Diagram.

Continuity should exist.

OK or NG

OK >> GO TO 4.

NG >> Repair open circuit.

4. CHECK CKP SENSOR (POS) POWER SUPPLY CIRCUIT-III

Check harness for short to power and short to ground, between the following terminals.

ECM terminal	Sensor terminal	Reference Wiring Diagram
46	CKP sensor (POS) terminal 1	EC-388
64	CMP sensor (PHASE) (bank 2) terminal 1	EC-399
	EVT control position sensor (bank 2) terminal 1	EC-532
103	APP sensor terminal 4	EC-643
107	EVAP control system pressure sensor terminal 3	EC-458
111	Refrigerant pressure sensor terminal 1	EC-711

OK or NG

OK >> GO TO 5.

NG >> Repair short to ground or short to power in harness or connectors.

DTC P0335 CKP SENSOR (POS)

5. CHECK COMPONENTS

Check the following.

- Camshaft position sensor (PHASE) (bank 2) (Refer to [EC-405, "Component Inspection"](#) .)
- Exhaust valve timing control position sensor (bank 2) (Refer to [EC-539, "Component Inspection"](#) .)
- EVAP control system pressure sensor (Refer to [EC-464, "Component Inspection"](#) .)
- Refrigerant pressure sensor (Refer to [ATC-80, "COMPONENT INSPECTION"](#) .)

OK or NG

- OK >> GO TO 6.
NG >> Replace malfunctioning component.

6. CHECK APP SENSOR

Refer to [EC-648, "Component Inspection"](#) .

OK or NG

- OK >> GO TO 12.
NG >> GO TO 7.

7. REPLACE ACCELERATOR PEDAL ASSEMBLY

1. Replace accelerator pedal assembly.
2. Perform [EC-77, "Accelerator Pedal Released Position Learning"](#) .
3. Perform [EC-77, "Throttle Valve Closed Position Learning"](#) .
4. Perform [EC-77, "Idle Air Volume Learning"](#) .

>> **INSPECTION END**

8. CHECK CKP SENSOR (POS) GROUND CIRCUIT FOR OPEN AND SHORT

1. Turn ignition switch OFF.
2. Disconnect ECM harness connector.
3. Check the continuity between CKP sensor (POS) terminal 2 and ECM terminal 47.
Refer to Wiring Diagram.

Continuity should exist.

4. Also check harness for short to ground short to power.

OK or NG

- OK >> GO TO 9.
NG >> Repair open circuit or short to ground or short to power in harness connectors.

9. CHECK CKP SENSOR (POS) INPUT SIGNAL CIRCUIT FOR OPEN AND SHORT

1. Check the continuity between CKP sensor (POS) terminal 3 and ECM terminal 37.
Refer to Wiring Diagram.

Continuity should exist.

2. Also check harness for short to ground and short to power.

OK or NG

- OK >> GO TO 10.
NG >> Repair open circuit or short to ground or short to power in harness or connectors.

DTC P0335 CKP SENSOR (POS)

10. CHECK CRANKSHAFT POSITION SENSOR (POS)

Refer to [EC-393, "Component Inspection"](#) .

OK or NG

- OK >> GO TO 11.
- NG >> Replace CKP sensor (POS).

11. CHECK GEAR TOOTH

Visually check for chipping signal plate gear tooth.

OK or NG

- OK >> GO TO 12.
- NG >> Replace the signal plate.

12. CHECK INTERMITTENT INCIDENT

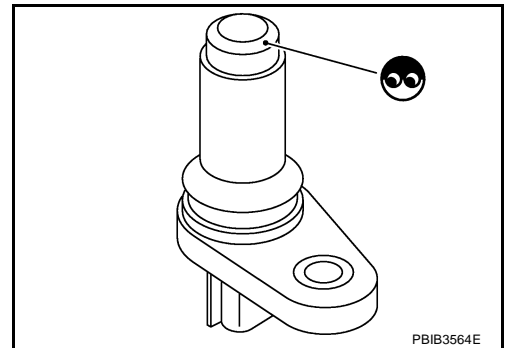
Refer to [EC-141, "TROUBLE DIAGNOSIS FOR INTERMITTENT INCIDENT"](#) .

>> INSPECTION END

Component Inspection CRANKSHAFT POSITION SENSOR (POS)

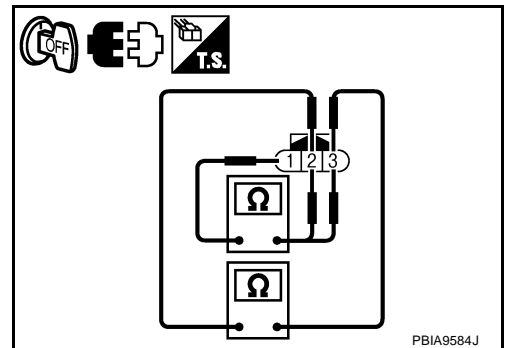
NBS0008A

1. Loosen the fixing bolt of the sensor.
2. Disconnect CKP sensor (POS) harness connector.
3. Remove the sensor.
4. Visually check the sensor for chipping.



5. Check resistance as shown in the figure.

Terminal No. (Polarity)	Resistance Ω [at 25°C (77°F)]
1 (+) - 2 (-)	Except 0 or ∞
1 (+) - 3 (-)	
2 (+) - 3 (-)	



Removal and Installation CRANKSHAFT POSITION SENSOR (POS)

NBS0008B

Refer to [EM-26, "OIL PAN AND OIL STRAINER"](#) .

DTC P0340, P0345 CMP SENSOR (PHASE)

PF:23731

DTC P0340, P0345 CMP SENSOR (PHASE)

Component Description

NBS0008C

The camshaft position sensor (PHASE) senses the retraction of camshaft (INT) to identify a particular cylinder. The camshaft position sensor (PHASE) senses the piston position.

When the crankshaft position sensor (POS) system becomes inoperative, the camshaft position sensor (PHASE) provides various controls of engine parts instead, utilizing timing of cylinder identification signals.

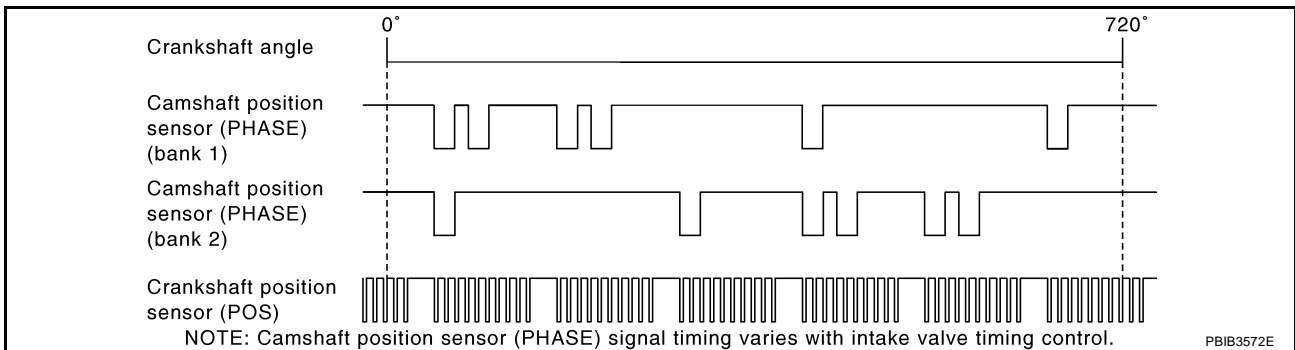
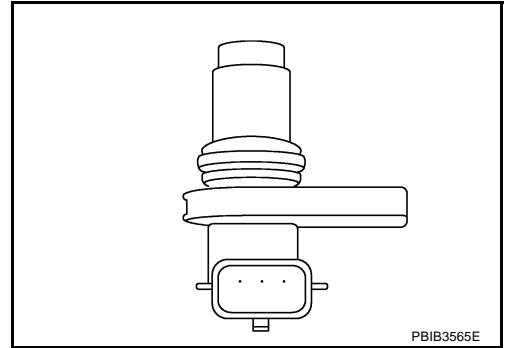
The sensor consists of a permanent magnet and Hall IC.

When engine is running, the high and low parts of the teeth cause the gap with the sensor to change.

The changing gap causes the magnetic field near the sensor to change.

Due to the changing magnetic field, the voltage from the sensor changes.

ECM receives the signals as shown in the figure.



CONSULT-III Reference Value in Data Monitor Mode

NBS0008D

Specification data are reference values.

MONITOR ITEM	CONDITION	SPECIFICATION
ENG SPEED	<ul style="list-style-type: none"> Run engine and compare CONSULT-III value with the tachometer indication. 	Almost the same speed as the tachometer indication.

On Board Diagnosis Logic

NBS0008E

NOTE:

If DTC P0340 is displayed with DTC P0643, first perform the trouble diagnosis for DTC P0643.

Refer to [EC-514, "DTC P0643 SENSOR POWER SUPPLY"](#).

DTC P0340, P0345 CMP SENSOR (PHASE)

DTC No.	Trouble diagnosis name	DTC detecting condition	Possible cause
P0340 0340 (Bank 1)	Camshaft position sensor (PHASE) circuit		<ul style="list-style-type: none"> ● Harness or connectors [CMP sensor (PHASE) (bank 1) circuit is open or shorted.] ● Camshaft position sensor (PHASE) (bank 1) ● Camshaft (INT) ● Starter motor (Refer to SC-8, "STARTING SYSTEM" .) ● Starting system circuit (Refer to SC-8, "STARTING SYSTEM" .) ● Dead (Weak) battery
P0345 0345 (Bank 2)			<ul style="list-style-type: none"> ● The cylinder No. signal is not sent to ECM for the first few seconds during engine cranking. ● The cylinder No. signal is not sent to ECM during engine running. ● The cylinder No. signal is not in the normal pattern during engine running.

A
EC
C
D
E
F
G
H
I
J
K
L
M

DTC P0340, P0345 CMP SENSOR (PHASE)

NBS0008F

DTC Confirmation Procedure

NOTE:

If DTC Confirmation Procedure has been previously conducted, always turn ignition switch OFF and wait at least 10 seconds before conducting the next test.

TESTING CONDITION:

Before performing the following procedure, confirm that battery voltage is more than 10.5V with ignition switch ON.

WITH CONSULT-III

1. Crank engine for at least 2 seconds and run it for at least 5 seconds at idle speed.
2. Check 1st trip DTC.
3. If 1st trip DTC is detected, go to [EC-400, "Diagnostic Procedure"](#) .
If 1st trip DTC is not detected, go to next step.
4. Maintaining engine speed at more than 800 rpm for at least 5 seconds.
5. Check 1st trip DTC.
6. If 1st trip DTC is detected, go to [EC-400, "Diagnostic Procedure"](#) .

WITH GST

Follow the procedure "WITH CONSULT-III" above.

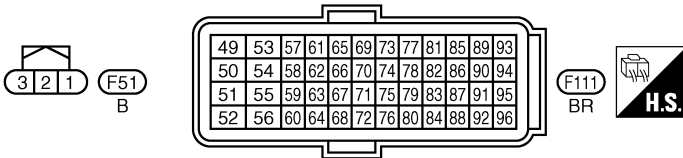
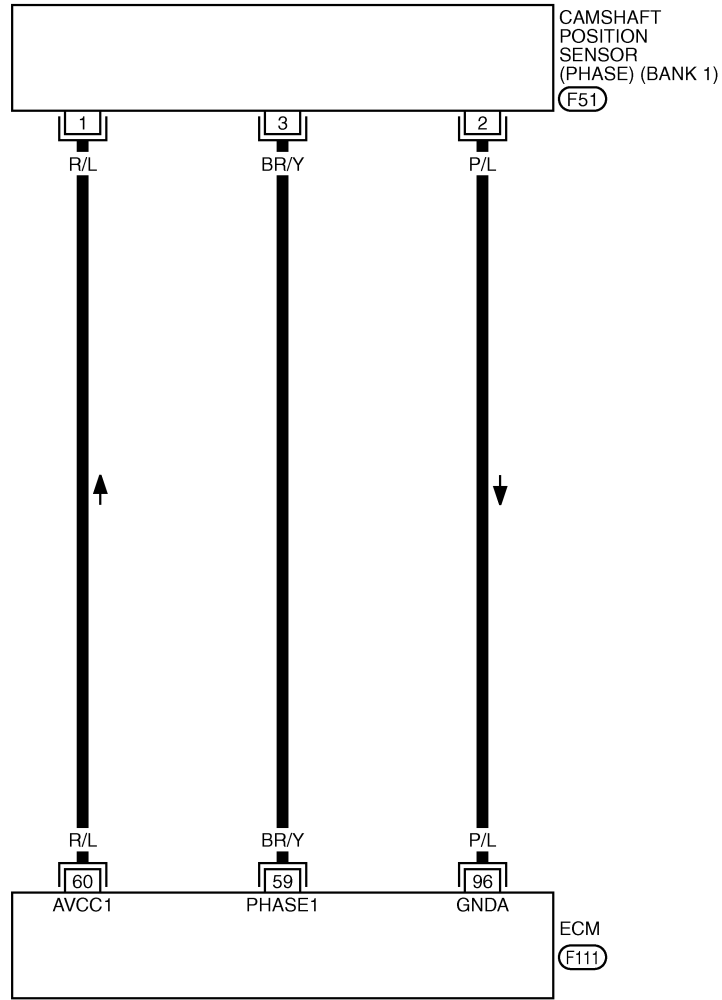
DTC P0340, P0345 CMP SENSOR (PHASE)

Wiring Diagram BANK 1

NBS0008G

EC-PHSB1-01

— : DETECTABLE LINE FOR DTC
— : NON-DETECTABLE LINE FOR DTC



TBWT1646E

DTC P0340, P0345 CMP SENSOR (PHASE)

Specification data are reference values and are measured between each terminal and ground.
Pulse signal is measured by CONSULT-III.

CAUTION:

Do not use ECM ground terminals when measuring input/output voltage. Doing so may result in damage to the ECM's transistor. Use a ground other than ECM terminals, such as the ground.

TER-MINAL NO.	WIRE COLOR	ITEM	CONDITION	DATA (DC Voltage)
59	BR/Y	Camshaft position sensor (PHASE) (bank 1)	<p>[Engine is running]</p> <ul style="list-style-type: none"> ● Warm-up condition ● Idle speed <p>NOTE: The pulse cycle changes depending on rpm at idle.</p>	<p>3.0 - 5.0V★</p> <p>20mSec/div 2V/div</p> <p style="text-align: right;">PBIB3553E</p>
			<p>[Engine is running]</p> <ul style="list-style-type: none"> ● Engine speed: 2,000 rpm 	<p>3.0 - 5.0V★</p> <p>20mSec/div 2V/div</p> <p style="text-align: right;">PBIB3554E</p>
60	R/L	Sensor power supply [Camshaft position sensor (PHASE) (bank 1), Exhaust valve timing control position sensor (bank 1), Power steering pressure sensor]	[Ignition switch: ON]	5V
96	P/L	Sensor ground [Camshaft position sensor (PHASE) (bank 1), Power steering pressure sensor]	<p>[Engine is running]</p> <ul style="list-style-type: none"> ● Warm-up condition ● Idle speed 	0V

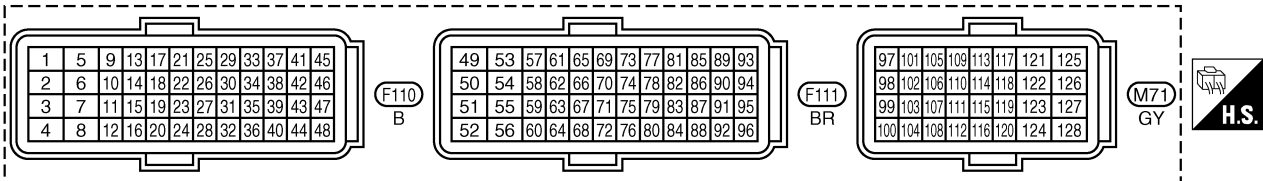
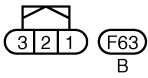
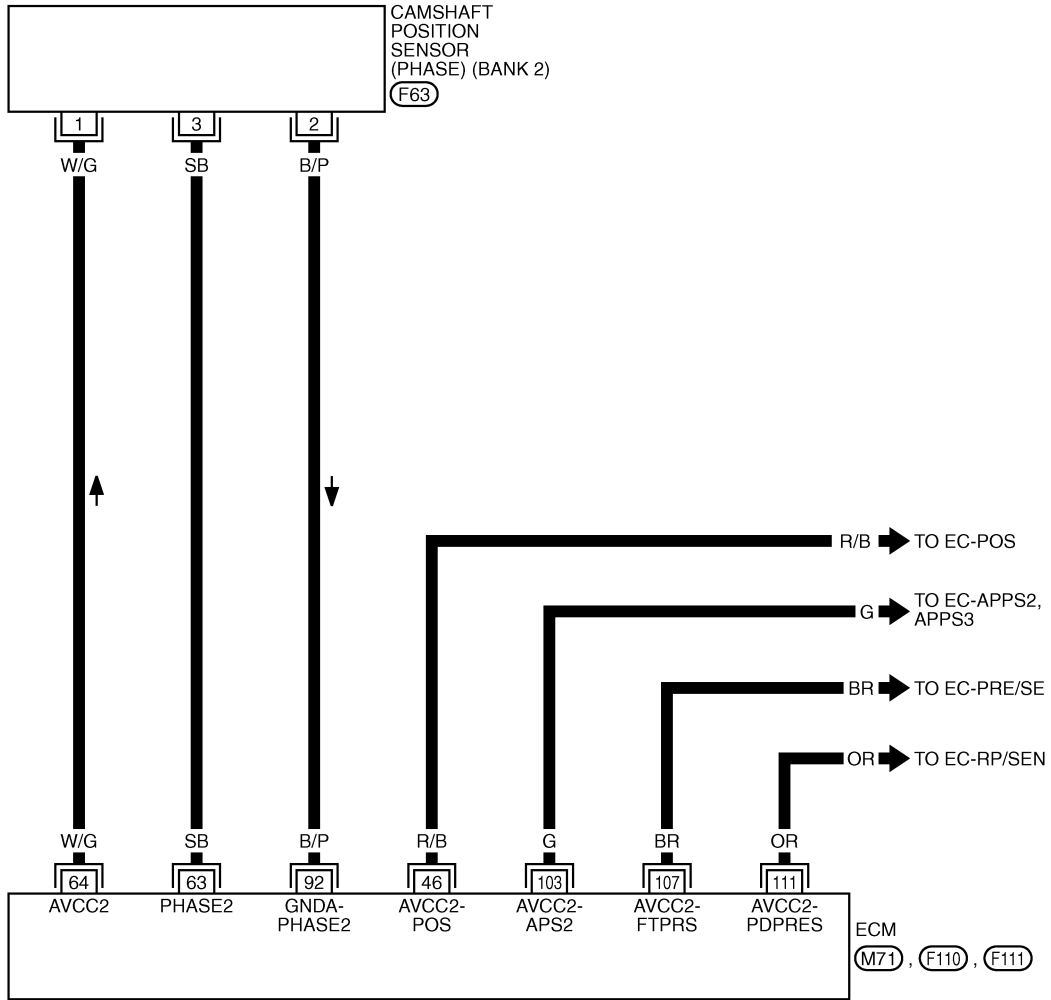
★: Average voltage for pulse signal (Actual pulse signal can be confirmed by oscilloscope.)

DTC P0340, P0345 CMP SENSOR (PHASE)

BANK 2

EC-PHSB2-01

: DETECTABLE LINE FOR DTC
 : NON-DETECTABLE LINE FOR DTC



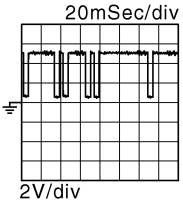
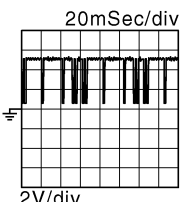
TBWT1647E

DTC P0340, P0345 CMP SENSOR (PHASE)

Specification data are reference values and are measured between each terminal and ground.
Pulse signal is measured by CONSULT-III.

CAUTION:

Do not use ECM ground terminals when measuring input/output voltage. Doing so may result in damage to the ECM's transistor. Use a ground other than ECM terminals, such as the ground.

TER-MINAL NO.	WIRE COLOR	ITEM	CONDITION	DATA (DC Voltage)
46	R/B	Sensor power supply [Crankshaft position sensor (POS)]	[Ignition switch: ON]	5V
63	SB	Camshaft position sensor (PHASE) (bank 2)	<p>[Engine is running]</p> <ul style="list-style-type: none"> ● Warm-up condition ● Idle speed <p>NOTE: The pulse cycle changes depending on rpm at idle.</p>	<p>3.0 - 5.0V★</p>  <p>20mSec/div 2V/div</p> <p>PBIB3553E</p>
			<p>[Engine is running]</p> <ul style="list-style-type: none"> ● Engine speed: 2,000 rpm 	<p>1.0 - 4.0V★</p>  <p>20mSec/div 2V/div</p> <p>PBIB3554E</p>
64	W/G	Sensor power supply [Camshaft position sensor (PHASE) (bank 2), Exhaust valve timing control position sensor (bank 2)]	[Ignition switch: ON]	5V
92	B/P	Sensor ground [Camshaft position sensor (PHASE) (bank 2)]	<p>[Engine is running]</p> <ul style="list-style-type: none"> ● Warm-up condition ● Idle speed 	0V
103	G	Sensor power supply (Accelerator pedal position sensor 2)	[Ignition switch: ON]	5V
107	BR	Sensor power supply (EVAP control system pressure sensor)	[Ignition switch: ON]	5V
111	OR	Sensor power supply (Refrigerant pressure sensor)	[Ignition switch: ON]	5V

★: Average voltage for pulse signal (Actual pulse signal can be confirmed by oscilloscope.)

Diagnostic Procedure

NBS0008H

1. CHECK STARTING SYSTEM

Turn ignition switch to START position.

Does the engine turn over?

Does the starter motor operate?

Yes or No

Yes >> GO TO 2.

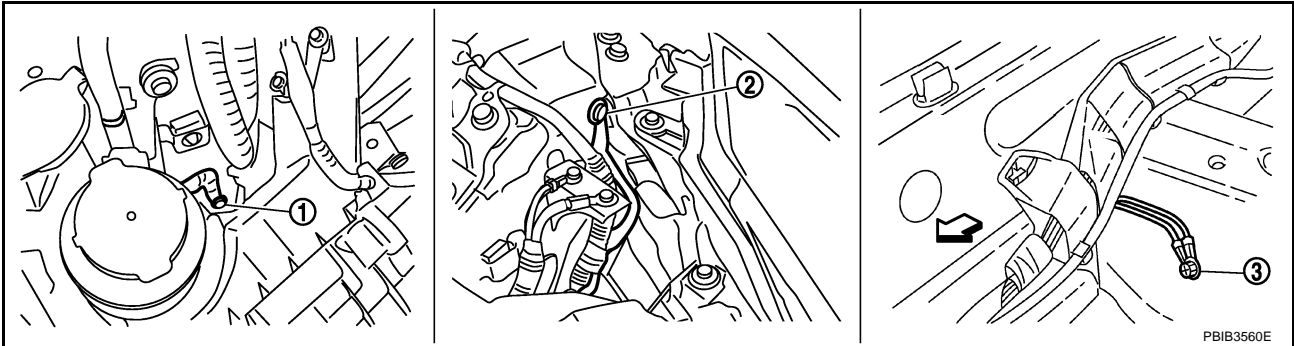
No >> Check starting system. (Refer to [SC-8, "STARTING SYSTEM"](#) .)

DTC P0340, P0345 CMP SENSOR (PHASE)

2. CHECK GROUND CONNECTIONS

Models with VDC system, navigation system or telephone

1. Turn ignition switch OFF.
2. Loosen and retighten ground screws on the body. Refer to [EC-150, "Ground Inspection"](#) .



1. Body ground E17

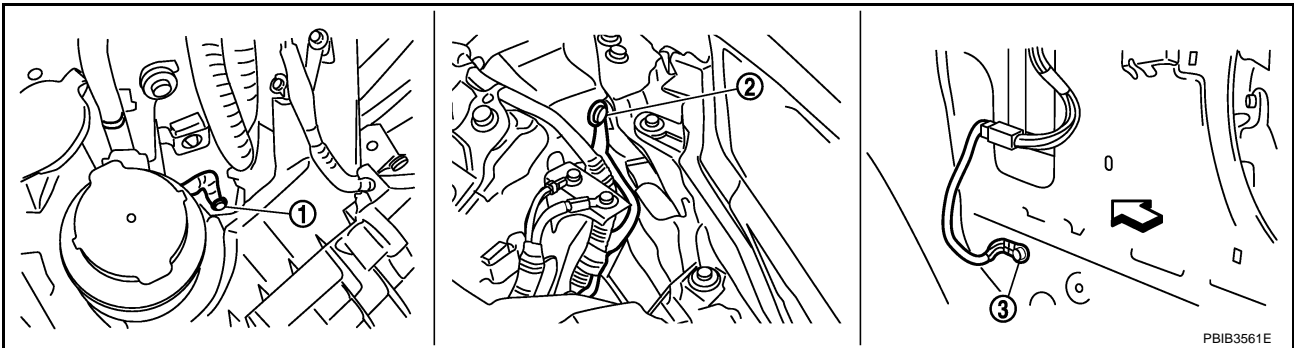
2. Body ground E43

3. Body ground B102

↔ Vehicle front

Models without VDC system, navigation system and telephone

1. Turn ignition switch OFF.
2. Loosen and retighten ground screws on the body. Refer to [EC-150, "Ground Inspection"](#) .



1. Body ground E17

2. Body ground E43

3. Body ground F152
(Passenger side view with dash side
finisher removed)

↔ Vehicle front

OK or NG

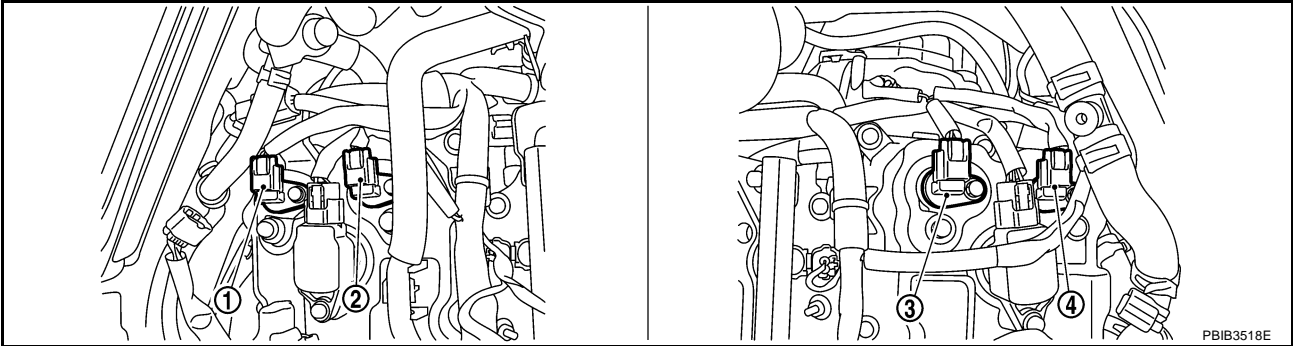
- OK >> GO TO 3.
- NG >> Repair or replace ground connections.

A
EC
C
D
E
F
G
H
I
J
K
L
M

DTC P0340, P0345 CMP SENSOR (PHASE)

3. CHECK CAMSHAFT POSITION (CMP) SENSOR (PHASE) POWER SUPPLY CIRCUIT-I

1. Disconnect camshaft position (CMP) sensor (PHASE) harness connector.



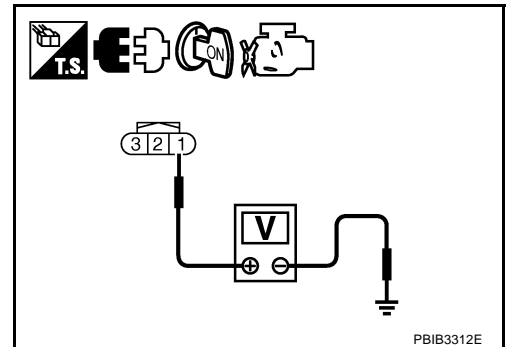
1. Exhaust valve timing control position sensor (bank 1)
2. Camshaft position sensor (PHASE) (bank 1)
3. Camshaft position sensor (PHASE) (bank 2)
4. Exhaust valve timing control position sensor (bank 2)

2. Turn ignition switch ON.
3. Check voltage between CMP sensor (PHASE) terminal 1 and ground with CONSULT-III or tester.

Voltage: Approximately 5V

OK or NG

- OK >> GO TO 9.
NG-1 >> P0340: Repair open circuit or short to ground or short to power in harness or connectors.
NG-2 >> P0345: GO TO 4.



4. CHECK CMP SENSOR (PHASE) POWER SUPPLY CIRCUIT-II

1. Turn ignition switch OFF.
2. Disconnect ECM harness connector.
3. Check harness continuity between CMP sensor (PHASE) terminal 1 and ECM terminal 64. Refer to Wiring Diagram.

Continuity should exist.

OK or NG

- OK >> GO TO 5.
NG >> Repair open circuit.

DTC P0340, P0345 CMP SENSOR (PHASE)

5. CHECK CMP SENSOR (PHASE) POWER SUPPLY CIRCUIT-III

Check harness for short to power and short to ground, between the following terminals.

ECM terminal	Sensor terminal	Reference Wiring Diagram
46	CKP sensor (POS) terminal 1	EC-388
64	CMP sensor (PHASE) (bank 2) terminal 1	EC-399
	EVT control position sensor (bank 2) terminal 1	EC-532
103	APP sensor terminal 4	EC-643
107	EVAP control system pressure sensor terminal 3	EC-458
111	Refrigerant pressure sensor 1	EC-711

OK or NG

OK >> GO TO 6.

NG >> Repair short to ground or short to power in harness or connectors.

6. CHECK COMPONENTS

Check the following.

- Crankshaft position sensor (POS) (Refer to [EC-393, "Component Inspection"](#) .)
- Exhaust valve timing control position sensor (bank 2) (Refer to [EC-539, "Component Inspection"](#) .)
- EVAP control system pressure sensor (Refer to [EC-464, "Component Inspection"](#) .)
- Refrigerant pressure sensor (Refer to [ATC-80, "COMPONENT INSPECTION"](#) .)

OK or NG

OK >> GO TO 7.

NG >> Replace malfunctioning component.

7. CHECK APP SENSOR

Refer to [EC-648, "Component Inspection"](#) .

OK or NG

OK >> GO TO 15.

NG >> GO TO 8.

8. REPLACE ACCELERATOR PEDAL ASSEMBLY

1. Replace accelerator pedal assembly.
2. Perform [EC-77, "Accelerator Pedal Released Position Learning"](#) .
3. Perform [EC-77, "Throttle Valve Closed Position Learning"](#) .
4. Perform [EC-77, "Idle Air Volume Learning"](#) .

>> INSPECTION END

9. CHECK CMP SENSOR (PHASE) GROUND CIRCUIT FOR OPEN AND SHORT

1. Turn ignition switch OFF.
2. Check harness continuity between ECM terminal 92 (bank 2) or 96 (bank 1) and CMP sensor (PHASE) terminal 2.
Refer to Wiring Diagram.

Continuity should exist.

3. Also check harness for short to ground short to power.

OK or NG

OK >> GO TO 10.

NG >> Repair open circuit or short to ground or short to power in harness or connectors.

DTC P0340, P0345 CMP SENSOR (PHASE)

10. CHECK CMP SENSOR (PHASE) INPUT SIGNAL CIRCUIT FOR OPEN AND SHORT

1. Disconnect ECM harness connector.
2. Check harness continuity between ECM terminal 59 (bank 1) or 63 (bank 2) and CMP sensor (PHASE) terminal 2.
Refer to Wiring Diagram.

Continuity should exist.

3. Also check harness for short to ground and short to power.

OK or NG

OK >> GO TO 11.

NG >> Repair open circuit or short to ground or short to power in harness or connectors.

11. CHECK CAMSHAFT POSITION SENSOR (PHASE)

Refer to [EC-405, "Component Inspection"](#) .

OK or NG

OK >> GO TO 12.

NG >> Replace malfunctioning CMP sensor (PHASE).

12. CHECK CAMSHAFT (INT)

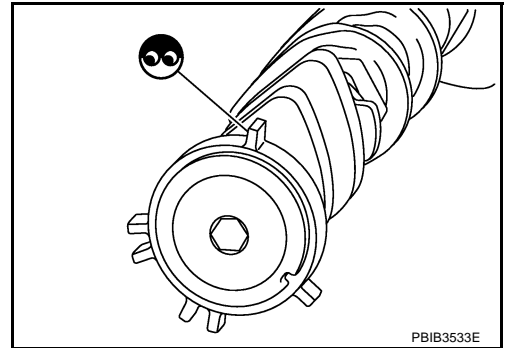
Check the following.

- Accumulation of debris to the signal plate of camshaft rear end
- Chipping signal plate of camshaft rear end

OK or NG

OK >> GO TO 13.

NG >> Remove debris and clean the signal plate of camshaft rear end or replace camshaft.



13. CHECK INTERMITTENT INCIDENT

Refer to [EC-141, "TROUBLE DIAGNOSIS FOR INTERMITTENT INCIDENT"](#) .

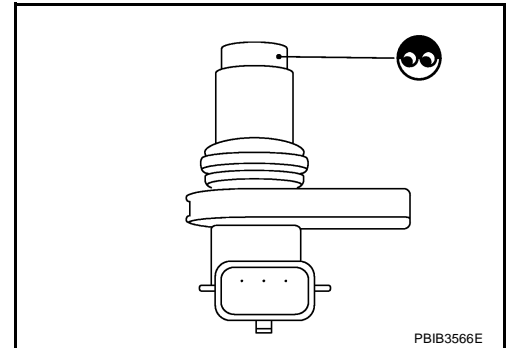
>> **INSPECTION END**

DTC P0340, P0345 CMP SENSOR (PHASE)

Component Inspection CAMSHAFT POSITION SENSOR (PHASE)

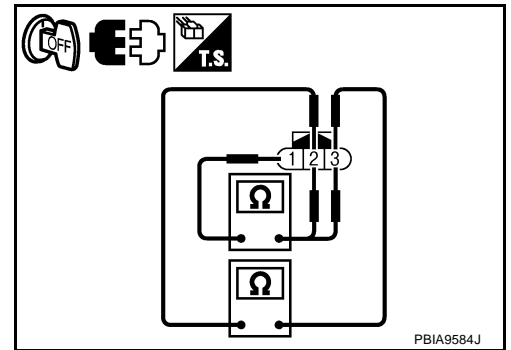
NBS0008I

1. Loosen the fixing bolt of the sensor.
2. Disconnect CMP sensor (PHASE) harness connector.
3. Remove the sensor.
4. Visually check the sensor for chipping.



5. Check resistance as shown in the figure.

Terminal No. (Polarity)	Resistance Ω [at 25°C (77°F)]
1 (+) - 2 (-)	Except 0 or ∞
1 (+) - 3 (-)	
2 (+) - 3 (-)	



Removal and Installation CAMSHAFT POSITION SENSOR (PHASE)

NBS0008J

Refer to [EM-72, "CAMSHAFT"](#) .

DTC P0420, P0430 THREE WAY CATALYST FUNCTION

DTC P0420, P0430 THREE WAY CATALYST FUNCTION

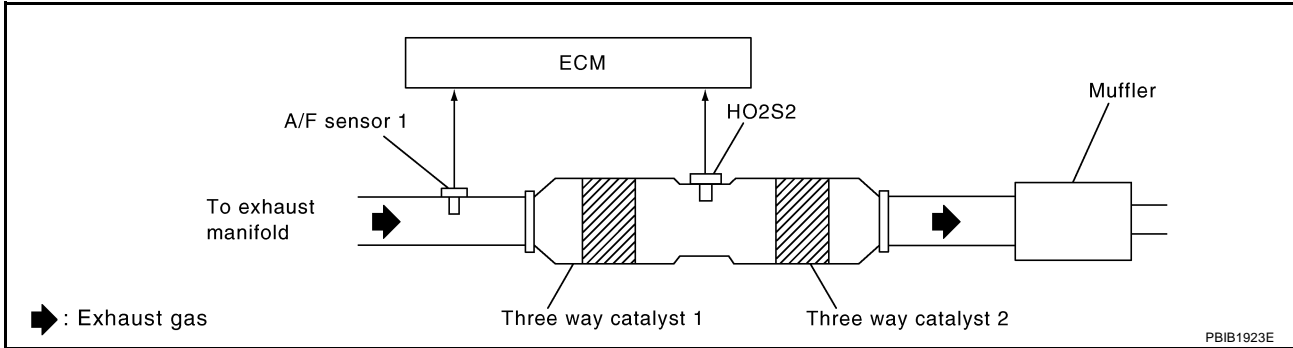
PF2:20905

On Board Diagnosis Logic

NBS0008K

The ECM monitors the switching frequency ratio of air fuel ratio (A/F) sensor 1 and heated oxygen sensor 2. A three way catalyst 1 with high oxygen storage capacity will indicate a low switching frequency of heated oxygen sensor 2. As oxygen storage capacity decreases, the heated oxygen sensor 2 switching frequency will increase.

When the frequency ratio of air fuel ratio (A/F) sensor 1 and heated oxygen sensor 2 approaches a specified limit value, the three way catalyst 1 malfunction is diagnosed.



DTC No.	Trouble diagnosis name	DTC detecting condition	Possible cause
P0420 0420 (Bank 1)	Catalyst system efficiency below threshold	<ul style="list-style-type: none"> ● Three way catalyst 1 does not operate properly. ● Three way catalyst 1 does not have enough oxygen storage capacity. 	<ul style="list-style-type: none"> ● Three way catalyst 1 ● Exhaust tube ● Intake air leaks ● Fuel injector ● Fuel injector leaks ● Spark plug ● Improper ignition timing
P0430 0430 (Bank 2)			

DTC Confirmation Procedure

NBS0008L

NOTE:

If DTC Confirmation Procedure has been previously conducted, always turn ignition switch OFF and wait at least 10 seconds before conducting the next test.

Ⓟ WITH CONSULT-III

TESTING CONDITION:

Do not hold engine speed for more than the specified minutes below.

1. Turn ignition switch ON and select "DATA MONITOR" mode with CONSULT-III.
2. Start engine and warm it up to the normal operating temperature.
3. Turn ignition switch OFF and wait at least 10 seconds.
4. Start engine and keep the engine speed between 3,500 and 4,000 rpm for at least 1 minute under no load.
5. Let engine idle for 1 minute.
6. Make sure that "COOLAN TEMP/S" indicates more than 70°C (158°F).
If not, warm up engine and go to next step when "COOLAN TEMP/S" indication reaches to 70°C (158°F).
7. Open engine hood.
8. Select "DTC & SRT CONFIRMATION" then "SRT WORK SUPPORT" mode with CONSULT-III.
9. Rev engine up to 2,000 to 3,000 rpm and hold it for 3 consecutive minutes then release the accelerator pedal completely.
If "INCMP" of "CATALYST" changed to "CMPLT", go to step 12.
10. Wait 5 seconds at idle.
11. Rev engine up to 2,000 to 3,000 rpm and maintain it until "INCMP" of "CATALYST" changes to "CMPLT" (It will take approximately 5 minutes).
If not "CMPLT", stop engine and cool it down to less than 70°C (158°F) and then retest from step 1.
12. Select "SELF-DIAG RESULTS" mode with CONSULT-III.

DTC P0420, P0430 THREE WAY CATALYST FUNCTION

13. Confirm that the 1st trip DTC is not detected.
If the 1st trip DTC is detected, go to [EC-407, "Diagnostic Procedure"](#).

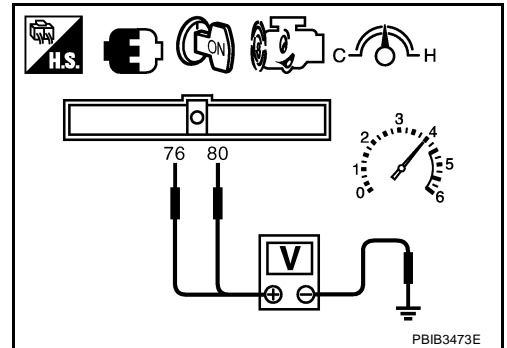
Overall Function Check

NBS0008M

Use this procedure to check the overall function of the three way catalyst 1. During this check, a 1st trip DTC might not be confirmed.

WITH GST

1. Start engine and warm it up to the normal operating temperature.
 2. Turn ignition switch OFF and wait at least 10 seconds.
 3. Start engine and keep the engine speed between 3,500 and 4,000 rpm for at least 1 minute under no load.
 4. Let engine idle for 1 minute.
 5. Open engine hood.
 6. Set voltmeters probes between ECM terminal 76 [HO2S2 (bank 1) signal], 80 [HO2S2 (bank 2) signal] and ground.
 7. Keep engine speed at 2,500 rpm constant under no load.
 8. Make sure that the voltage does not vary for more than 5 seconds. If the voltage fluctuation cycle take less than 5 seconds. Go to [EC-407, "Diagnostic Procedure"](#).
- 1 cycle: 0.6 - 1.0 → 0 - 0.3 → 0.6 - 1.0



Diagnostic Procedure

NBS0008N

1. CHECK EXHAUST SYSTEM

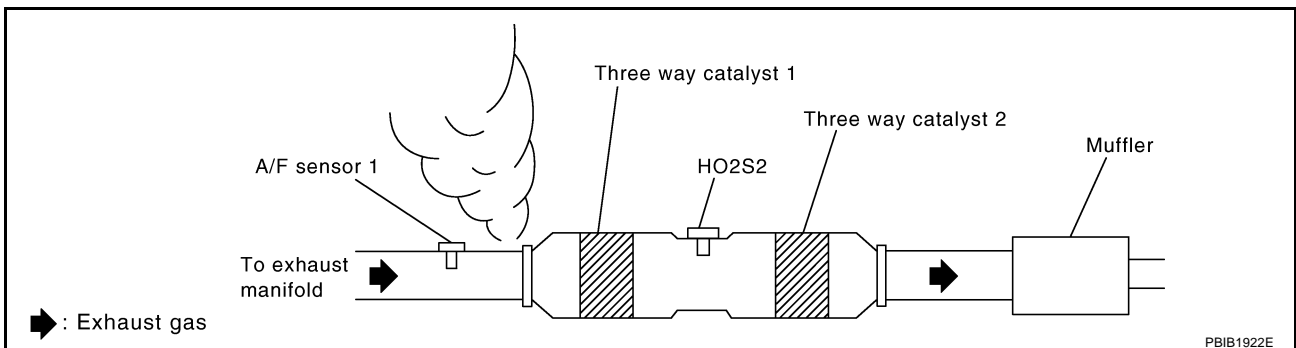
Visually check exhaust tubes and muffler for dent.

OK or NG

- OK >> GO TO 2.
NG >> Repair or replace.

2. CHECK EXHAUST GAS LEAK

1. Start engine and run it at idle.
2. Listen for an exhaust gas leak before the three way catalyst 1.



OK or NG

- OK >> GO TO 3.
NG >> Repair or replace.

DTC P0420, P0430 THREE WAY CATALYST FUNCTION

3. CHECK INTAKE AIR LEAK

Listen for an intake air leak after the mass air flow sensor.

OK or NG

OK >> GO TO 4.

NG >> Repair or replace.

4. CHECK IGNITION TIMING

Check the following items. Refer to [EC-71, "Basic Inspection"](#) .

Items	Specifications	
Target idle speed	A/T	650 ± 50 rpm (in P or N position)
	M/T	650 ± 50 rpm (in Neutral position)
Ignition timing	A/T	15 ± 5° BTDC (in P or N position)
	M/T	15 ± 5° BTDC (in Neutral position)

OK or NG

OK >> GO TO 5.

NG >> Follow the [EC-71, "Basic Inspection"](#) .

5. CHECK FUEL INJECTOR

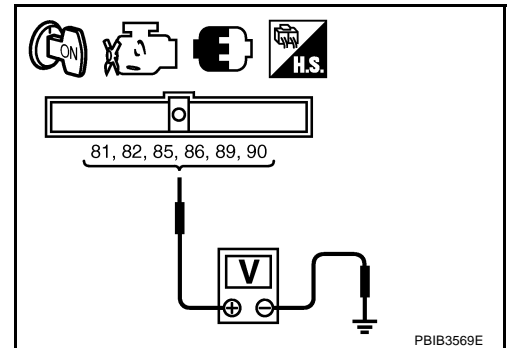
1. Stop engine and turn ignition switch OFF.
2. Disconnect ECM harness connector.
3. Turn ignition switch ON.
4. Check voltage between ECM terminals 81, 82, 85, 86, 89, 90 and ground with CONSULT-III or tester.
Refer to Wiring Diagram for fuel injectors, [EC-687, "Wiring Diagram"](#) .

Voltage: Battery voltage

OK or NG

OK >> GO TO 6.

NG >> Perform [EC-688, "Diagnostic Procedure"](#) .



DTC P0420, P0430 THREE WAY CATALYST FUNCTION

6. CHECK FUNCTION OF IGNITION COIL-I

CAUTION:

Do the following procedure in the place where ventilation is good without the combustible.

1. Turn ignition switch OFF.
2. Reconnect ECM harness connector disconnected.
3. Remove fuel pump fuse in IPDM E/R to release fuel pressure.

NOTE:

Do not use CONSULT-III to release fuel pressure, or fuel pressure applies again during the following procedure.

4. Start engine.
5. After engine stalls, crank it two or three times to release all fuel pressure.
6. Turn ignition switch OFF.
7. Remove all ignition coil harness connectors to avoid the electrical discharge from the ignition coils.
8. Remove ignition coil and spark plug of the cylinder to be checked.
9. Crank engine for 5 seconds or more to remove combustion gas in the cylinder.
10. Connect spark plug and harness connector to ignition coil.
11. Fix ignition coil using a rope etc. with gap of 13 - 17 mm between the edge of the spark plug and grounded metal portion as shown in the figure.
12. Crank engine for about 3 seconds, and check whether spark is generated between the spark plug and the grounded metal portion.

Spark should be generated.

CAUTION:

- Do not approach to the spark plug and the ignition coil within 50cm. Be careful not to get an electrical shock while checking, because the electrical discharge voltage becomes 20kV or more.

- It might cause to damage the ignition coil if the gap of more than 17 mm is taken.

NOTE:

When the gap is less than 13 mm, the spark might be generated even if the coil is malfunctioning.

OK or NG

- OK >> GO TO 10.
NG >> GO TO 7.

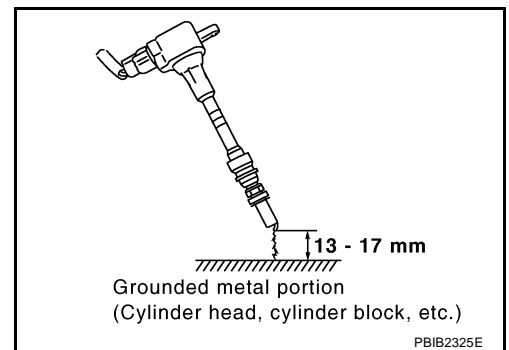
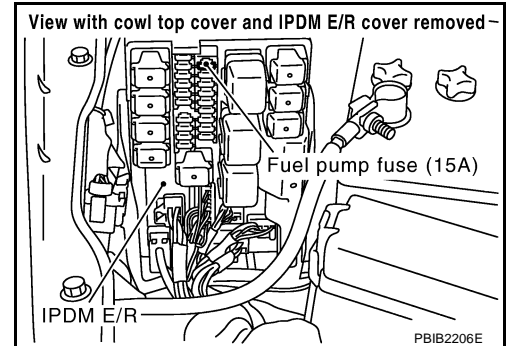
7. CHECK FUNCTION OF IGNITION COIL-II

1. Turn ignition switch OFF.
2. Disconnect spark plug and connect a known-good spark plug.
3. Crank engine for about 3 seconds, and recheck whether spark is generated between the spark plug and the grounded metal portion.

Spark should be generated.

OK or NG

- OK >> GO TO 8.
NG >> Check ignition coil, power transistor and their circuits. Refer to [EC-698, "IGNITION SIGNAL"](#).



DTC P0420, P0430 THREE WAY CATALYST FUNCTION

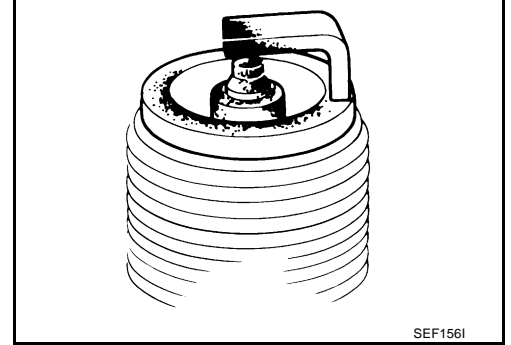
8. CHECK SPARK PLUG

1. Turn ignition switch OFF.
2. Check the spark plugs and check for fouling, etc.

OK or NG

OK >> GO TO 9.

NG >> Repair or replace spark plug (s) with standard type one (s). For spark plug type ignition coil. Refer to [MA-18, "Changing Spark Plugs \(Iridium-Tipped Type\)"](#) .



9. CHECK FUNCTION OF IGNITION COIL-III

1. Reconnect the initial spark plugs.
2. Crank engine for about 3 seconds, and recheck whether spark is generated between the spark plug and the grounded portion.

Spark should be generated.

OK or NG

OK >> **INSPECTION END**

NG >> Replace spark plug(s) with standard type one(s). For spark plug type, refer to [MA-18, "Changing Spark Plugs \(Iridium-Tipped Type\)"](#) .

10. CHECK FUEL INJECTOR

1. Turn ignition switch OFF.
2. Remove fuel injector assembly.
Refer to [EM-34, "FUEL INJECTOR AND FUEL TUBE"](#) .
Keep fuel hose and all fuel injectors connected to fuel injector gallery.
3. Disconnect all ignition coil harness connectors.
4. Reconnect all fuel injector harness connectors disconnected.
5. Turn ignition switch ON.
Make sure fuel does not drip from fuel injector.

OK or NG

OK (Does not drip.)>>GO TO 11.

NG (Drips.)>>Replace the fuel injector(s) from which fuel is dripping.

11. CHECK INTERMITTENT INCIDENT

Refer to [EC-141, "TROUBLE DIAGNOSIS FOR INTERMITTENT INCIDENT"](#) .

Trouble is fixed.>>**INSPECTION END**

Trouble is not fixed.>>Replace three way catalyst assembly.

DTC P0441 EVAP CONTROL SYSTEM

DTC P0441 EVAP CONTROL SYSTEM

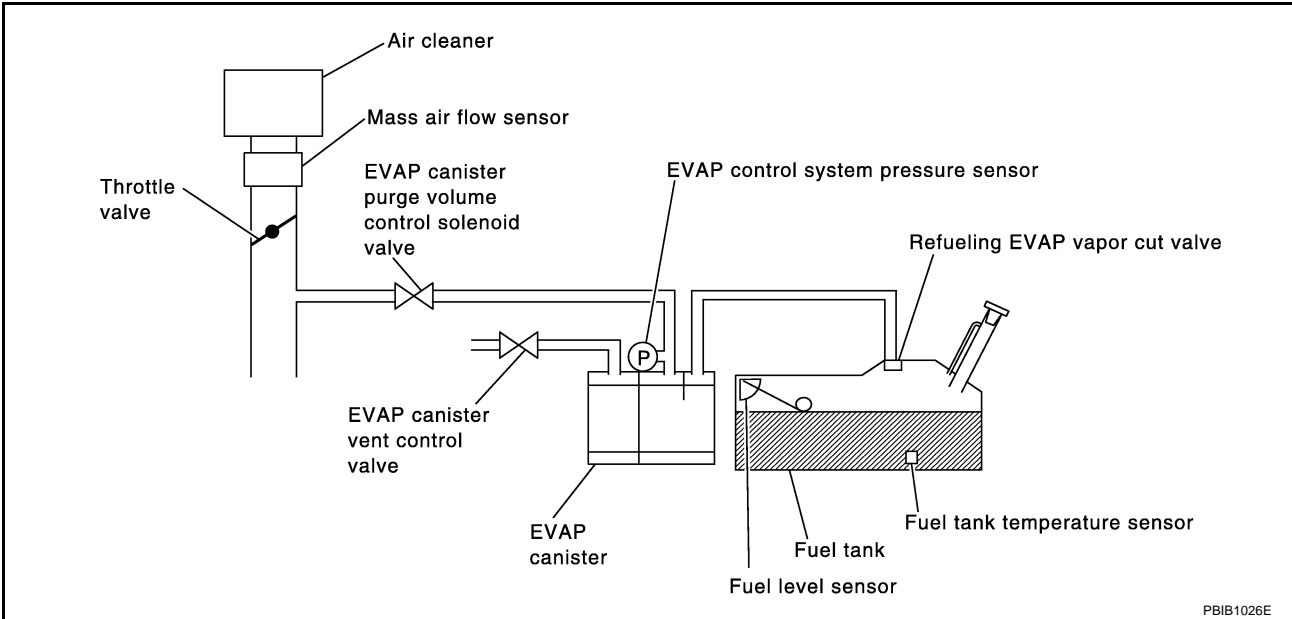
PFP:14950

System Description

NBS00080

NOTE:

If DTC P0441 is displayed with other DTC such as P2122, P2123, P2127, P2128 or P2138, first perform trouble diagnosis for other DTC.



In this evaporative emission (EVAP) control system, purge flow occurs during non-closed throttle conditions. Purge volume is related to air intake volume. Under normal purge conditions (non-closed throttle), the EVAP canister purge volume control solenoid valve is open to admit purge flow. Purge flow exposes the EVAP control system pressure sensor to intake manifold vacuum.

On Board Diagnosis Logic

NBS0008P

Under normal conditions (non-closed throttle), sensor output voltage indicates if pressure drop and purge flow are adequate. If not, a malfunction is determined.

DTC No.	Trouble diagnosis name	DTC detecting condition	Possible cause
P0441 0441	EVAP control system incorrect purge flow	EVAP control system does not operate properly, EVAP control system has a leak between intake manifold and EVAP control system pressure sensor.	<ul style="list-style-type: none"> ● EVAP canister purge volume control solenoid valve stuck closed ● EVAP control system pressure sensor and the circuit ● Loose, disconnected or improper connection of rubber tube ● Blocked rubber tube ● Cracked EVAP canister ● EVAP canister purge volume control solenoid valve circuit ● Accelerator pedal position sensor ● Blocked purge port ● EVAP canister vent control valve

DTC Confirmation Procedure

NBS0008Q

CAUTION:

Always drive vehicle at a safe speed.

NOTE:

If DTC Confirmation Procedure has been previously conducted, always turn ignition switch OFF and wait at least 10 seconds before conducting the next test.

TESTING CONDITION:

Always perform test at a temperature of 5°C (41°F) or more.

DTC P0441 EVAP CONTROL SYSTEM

WITH CONSULT-III

1. Start engine and warm it up to normal operating temperature.
2. Turn ignition switch OFF and wait at least 10 seconds.
3. Start engine and let it idle for at least 70 seconds.
4. Select "PURG FLOW P0441" of "EVAPORATIVE SYSTEM" in "DTC & SRT CONFIRMATION" mode with CONSULT-III.
5. Touch "START".
If "COMPLETED" is displayed, go to step 7.
6. When the following conditions are met, "TESTING" will be displayed on the CONSULT-III screen. Maintain the conditions continuously until "TESTING" changes to "COMPLETED". (It will take at least 35 seconds.)

Shift lever	Suitable position
VHCL SPEED SE	32 - 120 km/h (20 - 75 MPH)
ENG SPEED	500 - 3,000 rpm
B/FUEL SCHDL	1.3 - 9.0 msec
COOLAN TEMP/S	70 - 100°C (158 - 212°F)

If "TESTING" is not changed for a long time, retry from step 2.

7. Make sure that "OK" is displayed after touching "SELF-DIAG RESULTS". If "NG" is displayed, refer to [EC-413. "Diagnostic Procedure"](#).

Overall Function Check

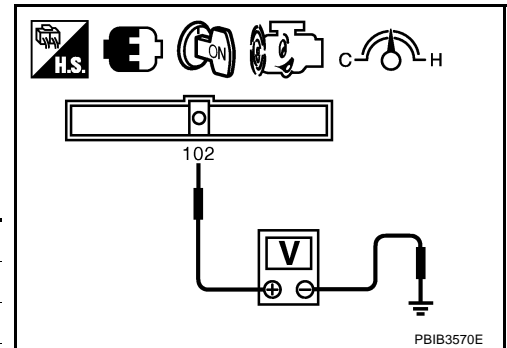
NBS0008R

Use this procedure to check the overall monitoring function of the EVAP control system purge flow monitoring. During this check, a 1st trip DTC might not be confirmed.

WITH GST

1. Lift up drive wheels.
2. Start engine (VDC switch or TCS switch OFF) and warm it up to normal operating temperature.
3. Turn ignition switch OFF, wait at least 10 seconds.
4. Start engine and wait at least 70 seconds.
5. Set voltmeter probes to ECM terminals 102 (EVAP control system pressure sensor signal) and ground.
6. Check EVAP control system pressure sensor value at idle speed and note it.
7. Establish and maintain the following conditions for at least 1 minute.

Air conditioner switch	ON
Headlamp switch	ON
Rear window defogger switch	ON
Engine speed	Approx. 3,000 rpm
Shift lever	Any position other than P, N or R



8. Verify that EVAP control system pressure sensor value stays 0.1V less than the value at idle speed (measured at step 6) for at least 1 second.
9. If NG, go to [EC-413. "Diagnostic Procedure"](#).

DTC P0441 EVAP CONTROL SYSTEM

Diagnostic Procedure

NBS0008S

1. CHECK EVAP CANISTER

1. Turn ignition switch OFF.
2. Check EVAP canister for cracks.

OK or NG

- OK (With CONSULT-III)>>GO TO 2.
- OK (Without CONSULT-III)>>GO TO 3.
- NG >> Replace EVAP canister.

2. CHECK PURGE FLOW

Ⓟ With CONSULT-III

1. Disconnect vacuum hose connected to EVAP canister purge volume control solenoid valve at EVAP service port and install vacuum gauge. For the location of EVAP service port, refer to [EC-34, "EVAPORATIVE EMISSION LINE DRAWING"](#).
2. Start engine and let it idle.
3. Select "PURG VOL CONT/V" in "ACTIVE TEST" mode with CONSULT-III.
4. Rev engine up to 2,000 rpm.
5. Touch "Qd" and "Qu" on CONSULT-III screen to adjust "PURG VOL CONT/V" opening and check vacuum existence.

PURG VOL CONT/V	Vacuum
100%	Should exist.
0%	Should not exist.

OK or NG

- OK >> GO TO 7.
- NG >> GO TO 4.

3. CHECK PURGE FLOW

ⓧ Without CONSULT-III

1. Start engine and warm it up to normal operating temperature.
2. Stop engine.
3. Disconnect vacuum hose connected to EVAP canister purge volume control solenoid valve at EVAP service port and install vacuum gauge. For the location of EVAP service port, refer to [EC-34, "EVAPORATIVE EMISSION LINE DRAWING"](#).
4. Start engine and let it idle.

Do not depress accelerator pedal even slightly

5. Check vacuum gauge indication before 60 seconds passed after starting engine.

Vacuum should not exist.

6. Revving engine up to 2,000 rpm after 100 seconds passed after starting engine.

Vacuum should exist.

OK or NG

- OK >> GO TO 7.
- NG >> GO TO 4.

DTC P0441 EVAP CONTROL SYSTEM

4. CHECK EVAP PURGE LINE

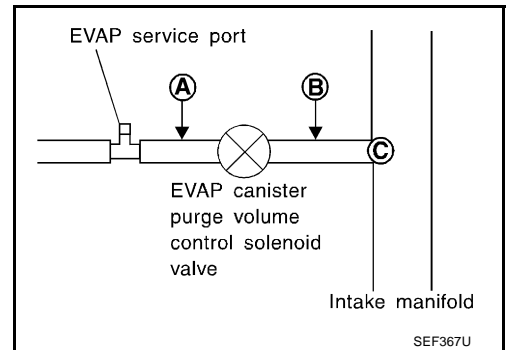
1. Turn ignition switch OFF.
2. Check EVAP purge line for improper connection or disconnection.
Refer to [EC-34, "EVAPORATIVE EMISSION LINE DRAWING"](#) .

OK or NG

- OK >> GO TO 5.
NG >> Repair it.

5. CHECK EVAP PURGE HOSE AND PURGE PORT

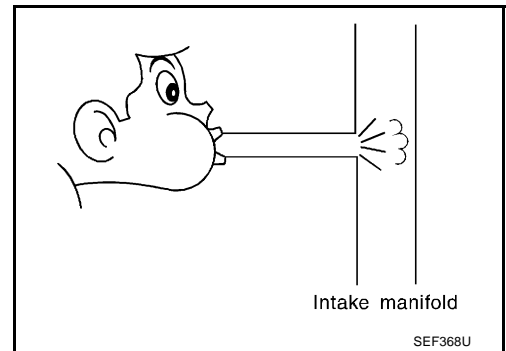
1. Disconnect purge hoses connected to EVAP service port **A** and EVAP canister purge volume control solenoid valve **B** .
2. Blow air into each hose and EVAP purge port **C** .



3. Check that air flows freely.

OK or NG

- OK (With CONSULT-III)>>GO TO 6.
OK (Without CONSULT-III)>>GO TO 7.
NG >> Repair or clean hoses and/or purge port.



6. CHECK EVAP CANISTER PURGE VOLUME CONTROL SOLENOID VALVE

 **With CONSULT-III**

1. Start engine.
2. Perform "PURG VOL CONT/V" in "ACTIVE TEST" mode with CONSULT-III. Check that engine speed varies according to the valve opening.

OK or NG

- OK >> GO TO 8.
NG >> GO TO 7.

7. CHECK EVAP CANISTER PURGE VOLUME CONTROL SOLENOID VALVE

Refer to [EC-436, "Component Inspection"](#) .

OK or NG

- OK >> GO TO 8.
NG >> Replace EVAP canister purge volume control solenoid valve.

DTC P0441 EVAP CONTROL SYSTEM

8. CHECK EVAP CONTROL SYSTEM PRESSURE SENSOR CONNECTOR

A

1. Disconnect EVAP control system pressure sensor harness connector.
2. Check connectors for water.

Water should not exist.

EC

OK or NG

- OK >> GO TO 9.
NG >> Replace EVAP control system pressure sensor.

C

9. CHECK EVAP CONTROL SYSTEM PRESSURE SENSOR FUNCTION

D

Refer to [EC-457, "DTC Confirmation Procedure"](#) for DTC P0452 and [EC-466, "DTC Confirmation Procedure"](#) for P0453.

OK or NG

- OK >> GO TO 10.
NG >> Replace EVAP control system pressure sensor.

E

F

10. CHECK RUBBER TUBE FOR CLOGGING

1. Disconnect rubber tube connected to EVAP canister vent control valve.
2. Check the rubber tube for clogging.

G

OK or NG

- OK >> GO TO 11.
NG >> Clean the rubber tube using an air blower.

H

11. CHECK EVAP CANISTER VENT CONTROL VALVE

I

Refer to [EC-442, "Component Inspection"](#) .

OK or NG

- OK >> GO TO 12.
NG >> Replace EVAP canister vent control valve.

J

12. CHECK EVAP PURGE LINE

K

Inspect EVAP purge line (pipe and rubber tube). Check for evidence of leaks.
Refer to [EC-34, "EVAPORATIVE EMISSION LINE DRAWING"](#) .

OK or NG

- OK >> GO TO 13.
NG >> Replace it.

L

M

13. CLEAN EVAP PURGE LINE

Clean EVAP purge line (pipe and rubber tube) using air blower.

>> GO TO 14.

14. CHECK INTERMITTENT INCIDENT

Refer to [EC-141, "TROUBLE DIAGNOSIS FOR INTERMITTENT INCIDENT"](#) .

>> INSPECTION END

DTC P0442 EVAP CONTROL SYSTEM

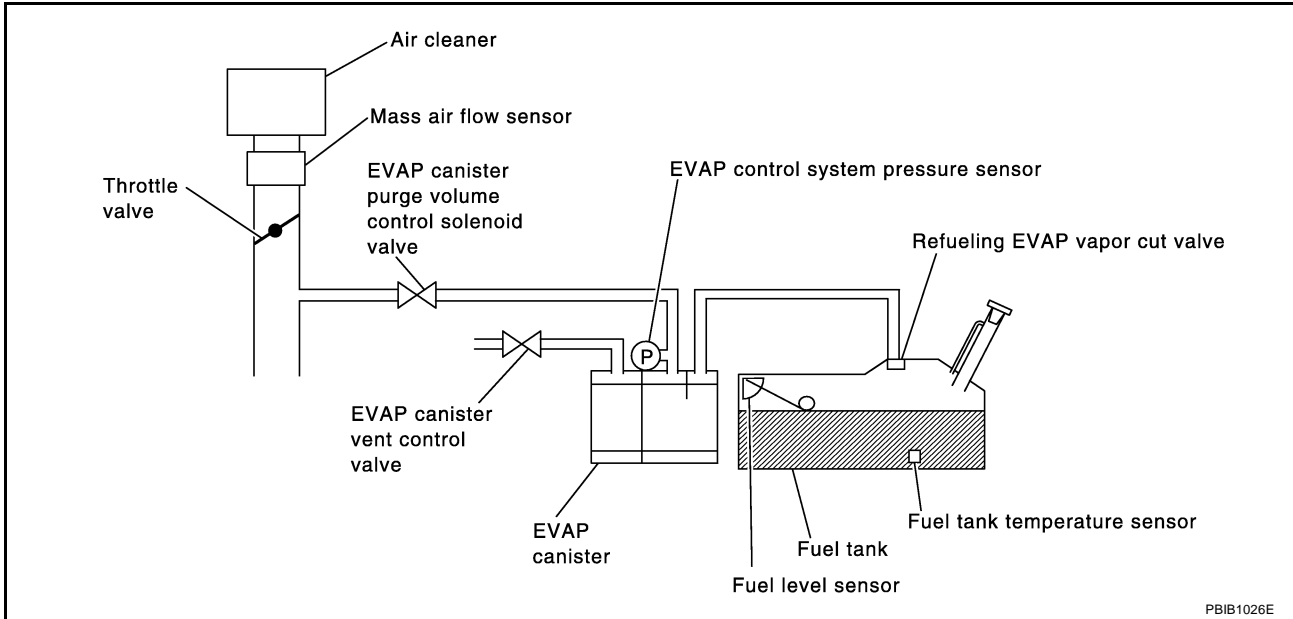
DTC P0442 EVAP CONTROL SYSTEM

PF14950

On Board Diagnosis Logic

NBS008T

This diagnosis detects leaks in the EVAP purge line using engine intake manifold vacuum. If pressure does not increase, the ECM will check for leaks in the line between the fuel tank and EVAP canister purge volume control solenoid valve, under the following Vacuum test conditions. The EVAP canister vent control valve is closed to shut the EVAP purge line off. The EVAP canister purge volume control solenoid valve will then be opened to depressurize the EVAP purge line using intake manifold vacuum. After this occurs, the EVAP canister purge volume control solenoid valve will be closed.



PBIB1026E

DTC No.	Trouble diagnosis name	DTC detecting condition	Possible cause
P0442 0442	EVAP control system small leak detected (negative pressure)	EVAP control system has a leak, EVAP control system does not operate properly.	<ul style="list-style-type: none"> ● Incorrect fuel tank vacuum relief valve ● Incorrect fuel filler cap used ● Fuel filler cap remains open or fails to close. ● Foreign matter caught in fuel filler cap. ● Leak is in line between intake manifold and EVAP canister purge volume control solenoid valve. ● Foreign matter caught in EVAP canister vent control valve. ● EVAP canister or fuel tank leaks ● EVAP purge line (pipe and rubber tube) leaks ● EVAP purge line rubber tube bent ● Loose or disconnected rubber tube ● EVAP canister vent control valve and the circuit ● EVAP canister purge volume control solenoid valve and the circuit ● Fuel tank temperature sensor ● O-ring of EVAP canister vent control valve is missing or damaged ● EVAP canister is saturated with water ● EVAP control system pressure sensor ● Fuel level sensor and the circuit ● Refueling EVAP vapor cut valve ● ORVR system leaks

DTC P0442 EVAP CONTROL SYSTEM

CAUTION:

- Use only a genuine NISSAN fuel filler cap as a replacement. If an incorrect fuel filler cap is used, the MIL may come on.
- If the fuel filler cap is not tightened properly, the MIL may come on.
- Use only a genuine NISSAN rubber tube as a replacement.

DTC Confirmation Procedure

NBS0008U

NOTE:

- If DTC Confirmation Procedure has been previously conducted, always turn ignition switch OFF and wait at least 10 seconds before conducting the next test.

TESTING CONDITION:

- Perform "DTC WORK SUPPORT" when the fuel level is between 1/4 and 3/4 full, and vehicle is placed on flat level surface.
- Always perform test at a temperature of 0 to 30°C (32 to 86°F).

WITH CONSULT-III

1. Turn ignition switch ON.
2. Turn ignition switch OFF and wait at least 10 seconds.
3. Turn ignition switch ON and select "DATA MONITOR" mode with CONSULT-III.
4. Make sure that the following conditions are met.
COOLAN TEMP/S: 0 - 70°C (32 - 158°F)
INT/A TEMP SE: 0 - 30°C (32 - 86°F)
5. Select "EVAP SML LEAK P0442/P1442" of "EVAPORATIVE SYSTEM" in "DTC WORK SUPPORT" mode with CONSULT-III.
Follow the instruction displayed.

NOTE:

If the engine speed cannot be maintained within the range displayed on the CONSULT-III screen, go to [EC-71, "Basic Inspection"](#).

6. Make sure that "OK" is displayed.
If "NG" is displayed, refer to [EC-418, "Diagnostic Procedure"](#).

NOTE:

Make sure that EVAP hoses are connected to EVAP canister purge volume control solenoid valve properly.

WITH GST

NOTE:

Be sure to read the explanation of [EC-58, "Driving Pattern"](#) before driving vehicle.

1. Start engine.
2. Drive vehicle according to [EC-58, "Driving Pattern"](#).
3. Stop vehicle.
4. Turn ignition switch OFF, wait at least 10 seconds and then turn ON.
5. Select Service \$07 with GST.
 - If P0442 is displayed on the screen, go to [EC-418, "Diagnostic Procedure"](#).
 - If P0441 is displayed on the screen, go to [EC-413, "Diagnostic Procedure"](#).

DTC P0442 EVAP CONTROL SYSTEM

NBS0008V

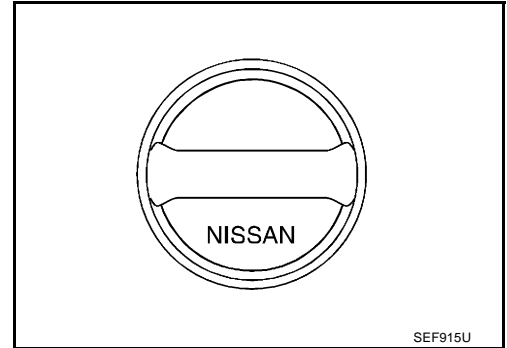
Diagnostic Procedure

1. CHECK FUEL FILLER CAP DESIGN

1. Turn ignition switch OFF.
2. Check for genuine NISSAN fuel filler cap design.

OK or NG

- OK >> GO TO 2.
NG >> Replace with genuine NISSAN fuel filler cap.



2. CHECK FUEL FILLER CAP INSTALLATION

Check that the cap is tightened properly by rotating the cap clockwise.

OK or NG

- OK >> GO TO 3.
NG >> 1. Open fuel filler cap, then clean cap and fuel filler neck threads using air blower.
2. Retighten until ratcheting sound is heard.

3. CHECK FUEL FILLER CAP FUNCTION

Check for air releasing sound while opening the fuel filler cap.

OK or NG

- OK >> GO TO 5.
NG >> GO TO 4.

4. CHECK FUEL TANK VACUUM RELIEF VALVE

Refer to [EC-36, "FUEL TANK VACUUM RELIEF VALVE \(BUILT INTO FUEL FILLER CAP\)"](#).

OK or NG

- OK >> GO TO 5.
NG >> Replace fuel filler cap with a genuine one.

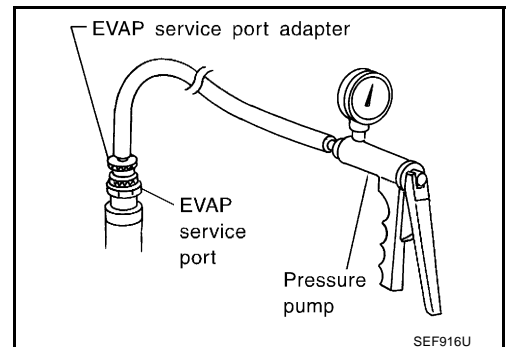
5. INSTALL THE PRESSURE PUMP

To locate the EVAP leak, install EVAP service port adapter and pressure pump to EVAP service port securely. For the location of EVAP service port, refer to [EC-34, "EVAPORATIVE EMISSION LINE DRAWING"](#).

NOTE:

Improper installation of the EVAP service port adapter to the EVAP service port may cause leaking.

- With CONSULT-III>>GO TO 6.
Without CONSULT-III>>GO TO 7.



DTC P0442 EVAP CONTROL SYSTEM

6. CHECK FOR EVAP LEAK

With CONSULT-III

1. Turn ignition switch ON.
2. Select "EVAP SYSTEM CLOSE" of "WORK SUPPORT" mode with CONSULT-III.
3. Touch "START" and apply pressure into the EVAP line until the pressure indicator reaches the middle of the bar graph.

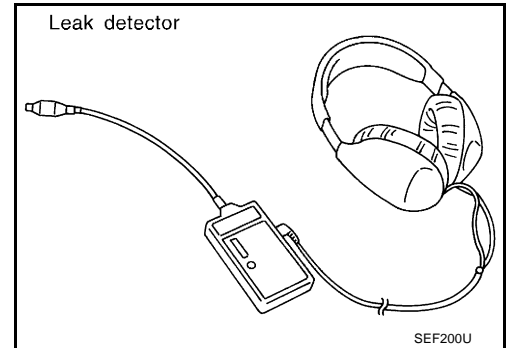
CAUTION:

- Never use compressed air or a high pressure pump.
- Do not exceed 4.12 kPa (0.042 kg/cm², 0.6 psi) of pressure in the system.

4. Using EVAP leak detector, locate the EVAP leak. For the leak detector, refer to the instruction manual for more details.
Refer to [EC-34, "EVAPORATIVE EMISSION LINE DRAWING"](#).

OK or NG

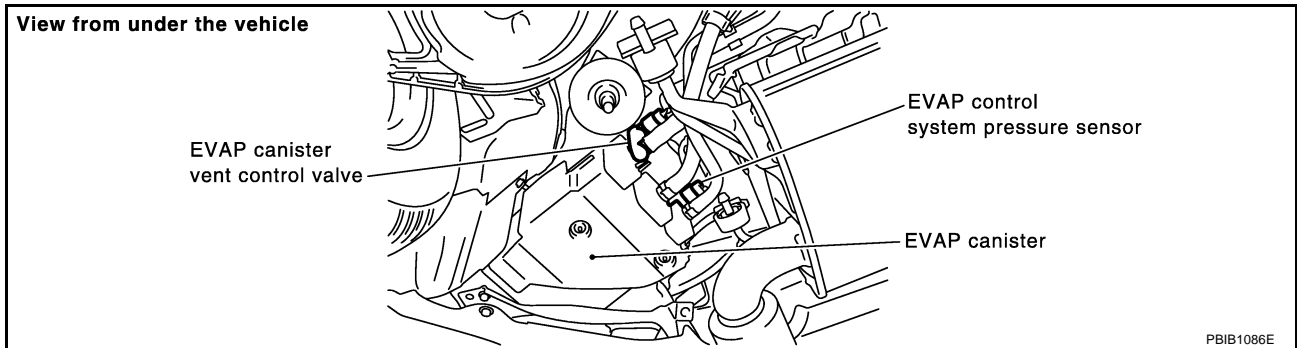
- OK >> GO TO 8.
NG >> Repair or replace.



7. CHECK FOR EVAP LEAK

Without CONSULT-III

1. Turn ignition switch OFF.
2. Apply 12 volts DC to EVAP canister vent control valve. The valve will close. (Continue to apply 12 volts until the end of test.)



3. Pressurize the EVAP line using pressure pump with 1.3 to 2.7 kPa (10 to 20 mmHg, 0.39 to 0.79 inHg), then remove pump and EVAP service port adapter.

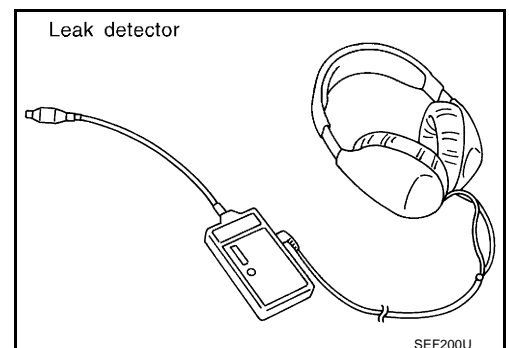
CAUTION:

- Never use compressed air or a high pressure pump.
- Do not exceed 4.12 kPa (0.042 kg/cm², 0.6 psi) of pressure in the system.

4. Using EVAP leak detector, locate the EVAP leak. For the leak detector, refer to the instruction manual for more details. Refer to [EC-34, "EVAPORATIVE EMISSION LINE DRAWING"](#).

OK or NG

- OK >> GO TO 8.
NG >> Repair or replace.



DTC P0442 EVAP CONTROL SYSTEM

8. CHECK EVAP CANISTER VENT CONTROL VALVE

Check the following.

- EVAP canister vent control valve is installed properly.
Refer to [EC-37, "Removal and Installation"](#) .
- EVAP canister vent control valve.
Refer to [EC-442, "Component Inspection"](#) .

OK or NG

OK >> GO TO 9.

NG >> Repair or replace EVAP canister vent control valve and O-ring.

9. CHECK IF EVAP CANISTER SATURATED WITH WATER

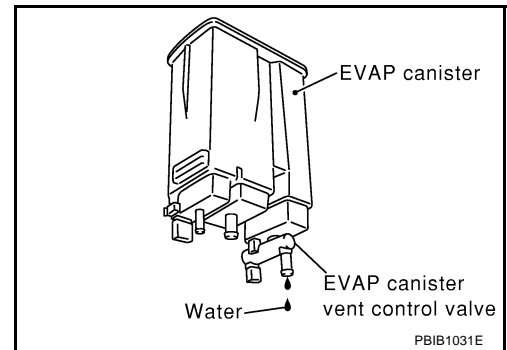
1. Remove EVAP canister with EVAP canister vent control valve and EVAP control system pressure sensor attached.
2. Does water drain from the EVAP canister?

Yes or No

Yes >> GO TO 10.

No (With CONSULT-III)>>GO TO 12.

No (Without CONSULT-III)>>GO TO 13.



10. CHECK EVAP CANISTER

Weigh the EVAP canister with the EVAP canister vent control valve and EVAP control system pressure sensor attached.

The weight should be less than 2.2 kg (4.9 lb).

OK or NG

OK (With CONSULT-III)>>GO TO 12.

OK (Without CONSULT-III)>>GO TO 13.

NG >> GO TO 11.

11. DETECT MALFUNCTIONING PART

Check the following.

- EVAP canister for damage
- EVAP hose between EVAP canister and vehicle frame for clogging or poor connection

>> Repair hose or replace EVAP canister.

DTC P0442 EVAP CONTROL SYSTEM

12. CHECK EVAP CANISTER PURGE VOLUME CONTROL SOLENOID VALVE OPERATION

With CONSULT-III

1. Disconnect vacuum hose to EVAP canister purge volume control solenoid valve at EVAP service port.
2. Start engine.
3. Perform "PURG VOL CONT/V" in "ACTIVE TEST" mode.
4. Touch "Qu" on CONSULT-III screen to increase "PURG VOL CONT/V" opening to 100%.
5. Check vacuum hose for vacuum when revving engine up to 2,000 rpm.

Vacuum should exist.

OK or NG

- OK >> GO TO 15.
NG >> GO TO 14.

13. CHECK EVAP CANISTER PURGE VOLUME CONTROL SOLENOID VALVE OPERATION

Without CONSULT-III

1. Start engine and warm it up to normal operating temperature.
2. Stop engine.
3. Disconnect vacuum hose to EVAP canister purge volume control solenoid valve at EVAP service port.
4. Start engine and let it idle for at least 80 seconds.
5. Check vacuum hose for vacuum when revving engine up to 2,000 rpm.

Vacuum should exist.

OK or NG

- OK >> GO TO 16.
NG >> GO TO 14.

14. CHECK VACUUM HOSE

Check vacuum hoses for clogging or disconnection. Refer to [EC-100, "Vacuum Hose Drawing"](#) .

OK or NG

- OK >> GO TO 15.
NG >> Repair or reconnect the hose.

15. CHECK EVAP CANISTER PURGE VOLUME CONTROL SOLENOID VALVE

Refer to [EC-436, "Component Inspection"](#) .

OK or NG

- OK >> GO TO 16.
NG >> Replace EVAP canister purge volume control solenoid valve.

16. CHECK FUEL TANK TEMPERATURE SENSOR

Refer to [EC-347, "Component Inspection"](#) .

OK or NG

- OK >> GO TO 17.
NG >> Replace fuel level sensor unit.

17. CHECK EVAP CONTROL SYSTEM PRESSURE SENSOR

Refer to [EC-464, "Component Inspection"](#) .

OK or NG

- OK >> GO TO 18.
NG >> Replace EVAP control system pressure sensor.

DTC P0442 EVAP CONTROL SYSTEM

18. CHECK EVAP PURGE LINE

Check EVAP purge line (pipe, rubber tube, fuel tank and EVAP canister) for cracks or improper connection. Refer to [EC-34, "EVAPORATIVE EMISSION LINE DRAWING"](#) .

OK or NG

OK >> GO TO 19.

NG >> Repair or reconnect the hose.

19. CLEAN EVAP PURGE LINE

Clean EVAP purge line (pipe and rubber tube) using air blower.

>> GO TO 20.

20. CHECK EVAP/ORVR LINE

Check EVAP/ORVR line between EVAP canister and fuel tank for clogging, kink, looseness and improper connection. For location, refer to [EC-39, "ON BOARD REFUELING VAPOR RECOVERY \(ORVR\)"](#) .

OK or NG

OK >> GO TO 21.

NG >> Repair or replace hoses and tubes.

21. CHECK RECIRCULATION LINE

Check recirculation line between filler neck tube and fuel tank for clogging, kink, cracks, looseness and improper connection.

OK or NG

OK >> GO TO 22.

NG >> Repair or replace hose, tube or filler neck tube.

22. CHECK REFUELING EVAP VAPOR CUT VALVE

Refer to [EC-42, "REFUELING EVAP VAPOR CUT VALVE"](#) .

OK or NG

OK >> GO TO 23.

NG >> Replace refueling EVAP vapor cut valve with fuel tank.

23. CHECK FUEL LEVEL SENSOR

Refer to [DI-23, "FUEL LEVEL SENSOR UNIT"](#) .

OK or NG

OK >> GO TO 24.

NG >> Replace fuel level sensor unit.

24. CHECK INTERMITTENT INCIDENT

Refer to [EC-141, "TROUBLE DIAGNOSIS FOR INTERMITTENT INCIDENT"](#) .

>> **INSPECTION END**

DTC P0443 EVAP CANISTER PURGE VOLUME CONTROL SOLENOID VALVE

DTC P0443 EVAP CANISTER PURGE VOLUME CONTROL SOLENOID VALVE

PFP:14920

Description SYSTEM DESCRIPTION

NBS000FE

Sensor	Input Signal to ECM	ECM function	Actuator
Crankshaft position sensor (POS) Camshaft position sensor (PHASE)	Engine speed*1	EVAP canister purge flow control	EVAP canister purge vol- ume control solenoid valve
Mass air flow sensor	Amount of intake air		
Engine coolant temperature sensor	Engine coolant temperature		
Battery	Battery voltage*1		
Throttle position sensor	Throttle position		
Accelerator pedal position sensor	Accelerator pedal position		
Air fuel ratio (A/F) sensor 1	Density of oxygen in exhaust gas (Mixture ratio feedback signal)		
Fuel tank temperature sensor	Fuel temperature in fuel tank		
Wheel sensor	Vehicle speed*2		

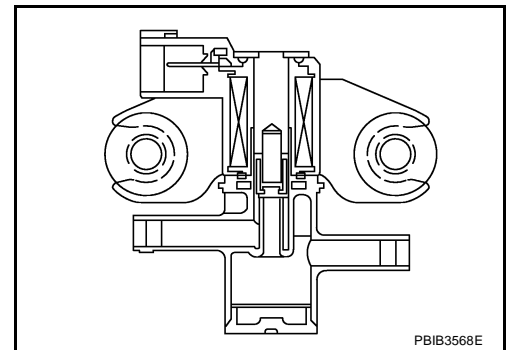
*1: ECM determines the start signal status by the signals of engine speed and battery voltage.

*2: This signal is sent to the ECM through CAN communication line.

This system controls flow rate of fuel vapor from the EVAP canister. The opening of the vapor by-pass passage in the EVAP canister purge volume control solenoid valve changes to control the flow rate. The EVAP canister purge volume control solenoid valve repeats ON/OFF operation according to the signal sent from the ECM. The opening of the valve varies for optimum engine control. The optimum value stored in the ECM is determined by considering various engine conditions. When the engine is operating, the flow rate of fuel vapor from the EVAP canister is regulated as the air flow changes.

COMPONENT DESCRIPTION

The EVAP canister purge volume control solenoid valve uses a ON/OFF duty to control the flow rate of fuel vapor from the EVAP canister. The EVAP canister purge volume control solenoid valve is moved by ON/OFF pulses from the ECM. The longer the ON pulse, the greater the amount of fuel vapor that will flow through the valve.



CONSULT-III Reference Value in Data Monitor Mode

NBS000FF

Specification data are reference values.

MONITOR ITEM	CONDITION		SPECIFICATION
PURG VOL C/V	<ul style="list-style-type: none"> ● Engine: After warming up ● Shift lever: P or N (A/T), Neutral (M/T) position ● Air conditioner switch: OFF ● No load 	Idle (Accelerator pedal is not depressed even slightly, after engine starting)	0%
		2,000 rpm	—

DTC P0443 EVAP CANISTER PURGE VOLUME CONTROL SOLENOID VALVE

On Board Diagnosis Logic

NBS000FG

DTC No.	Trouble diagnosis name	DTC detecting condition	Possible cause
P0443 0443	EVAP canister purge volume control solenoid valve	The canister purge flow is detected during the specified driving conditions, even when EVAP canister purge volume control solenoid valve is completely closed.	<ul style="list-style-type: none">● EVAP control system pressure sensor● EVAP canister purge volume control solenoid valve (The valve is stuck open.)● EVAP canister vent control valve● EVAP canister● Hoses (Hoses are connected incorrectly or clogged.)

DTC Confirmation Procedure

NBS000FH

NOTE:

If DTC Confirmation Procedure has been previously conducted, always turn ignition switch OFF and wait at least 10 seconds before conducting the next test.

TESTING CONDITION:

Always perform test at a temperature of 5°C (41°F) or more.

WITH CONSULT-III

1. Start engine and warm it up to normal operating temperature.
2. Turn ignition switch OFF and wait at least 10 seconds.
3. Turn ignition switch ON.
4. Select "PURG VOL CN/V P1444" of "EVAPORATIVE SYSTEM" in "DTC WORK SUPPORT" mode with CONSULT-III.
5. Touch "START".
6. Start engine and let it idle until "TESTING" on CONSULT-III changes to "COMPLETED". (It will take approximately 10 seconds.)
If "TESTING" is not displayed after 5 minutes, retry from step 2.
7. Make sure that "OK" is displayed after touching "SELF-DIAG RESULTS". If "NG" is displayed, refer to [EC-427, "Diagnostic Procedure"](#).

WITH GST

1. Start engine and warm it up to normal operating temperature.
2. Turn ignition switch OFF and wait at least 10 seconds.
3. Start engine and let it idle for at least 20 seconds.
4. Select Service \$07 with GST.
5. If 1st trip DTC is detected, go to [EC-427, "Diagnostic Procedure"](#).

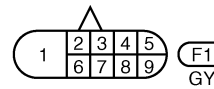
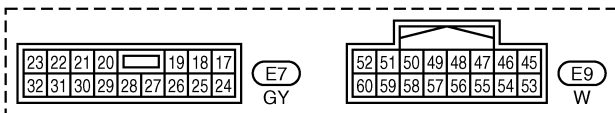
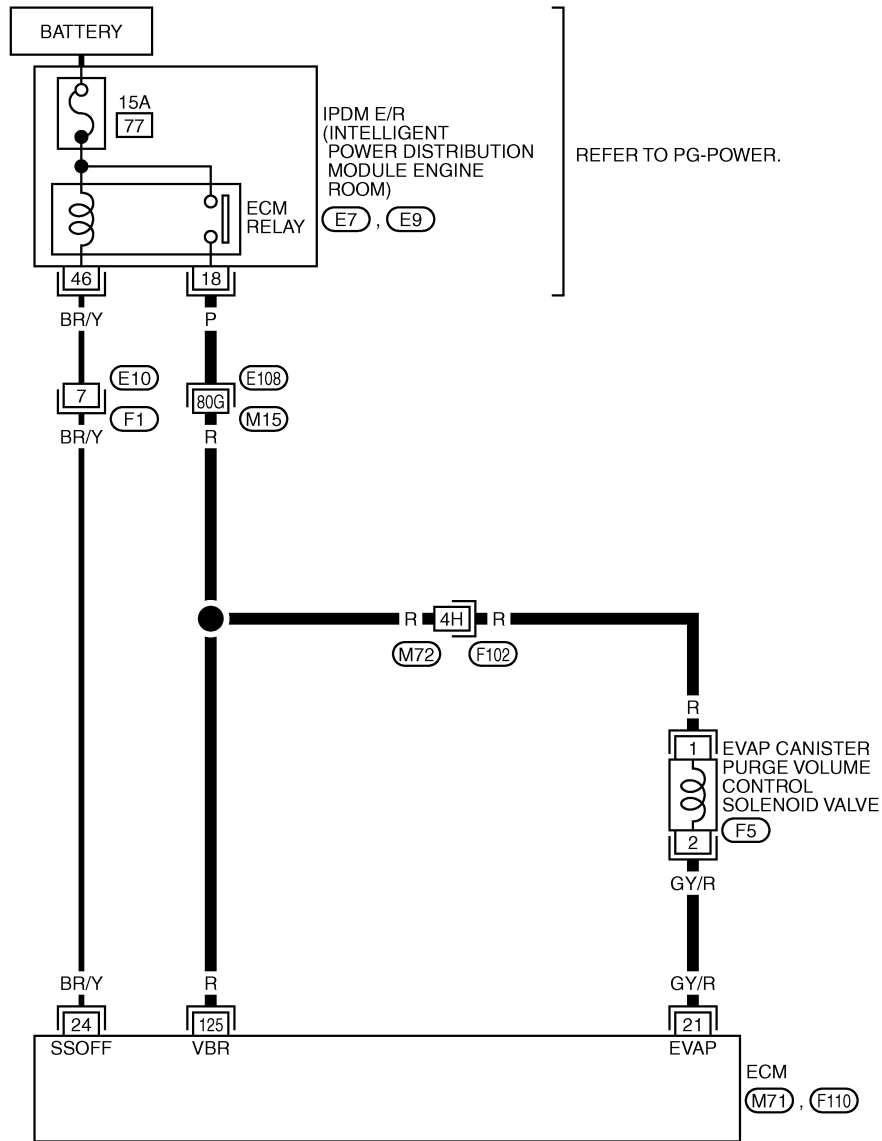
DTC P0443 EVAP CANISTER PURGE VOLUME CONTROL SOLENOID VALVE

Wiring Diagram

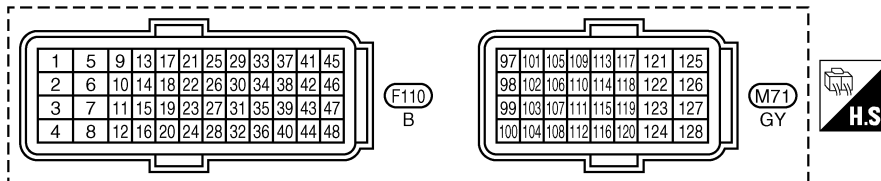
NBS000FI

EC-PGC/V-01

— : DETECTABLE LINE FOR DTC
 — : NON-DETECTABLE LINE FOR DTC



REFER TO THE FOLLOWING.
 E108, F102 -SUPER MULTIPLE JUNCTION (SMJ)



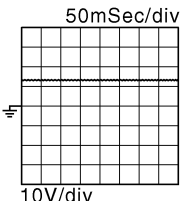
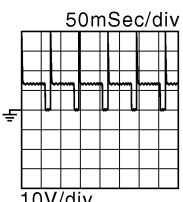
TBWT1648E

DTC P0443 EVAP CANISTER PURGE VOLUME CONTROL SOLENOID VALVE

Specification data are reference values and are measured between each terminal and ground.
Pulse signal is measured by CONSULT-III.

CAUTION:

Do not use ECM ground terminals when measuring input/output voltage. Doing so may result in damage to the ECM's transistor. Use a ground other than ECM terminals, such as the ground.

TER-MINAL NO.	WIRE COLOR	ITEM	CONDITION	DATA (DC Voltage)
21	GY/R	EVAP canister purge volume control solenoid valve	<p>[Engine is running]</p> <ul style="list-style-type: none"> ● Idle speed ● Accelerator pedal: Not depressed even slightly, after engine starting. 	<p>BATTERY VOLTAGE (11 - 14V)★</p> 
			<p>[Engine is running]</p> <ul style="list-style-type: none"> ● Engine speed: About 2,000 rpm (More than 100 seconds after starting engine) 	<p>BATTERY VOLTAGE (11 - 14V)★</p> 
24	BR/Y	ECM relay (Self shut-off)	<p>[Engine is running] [Ignition switch: OFF]</p> <ul style="list-style-type: none"> ● For a few seconds after turning ignition switch OFF 	0 - 1.5V
			<p>[Ignition switch: OFF]</p> <ul style="list-style-type: none"> ● More than a few seconds after turning ignition switch OFF 	BATTERY VOLTAGE (11 - 14V)
125	R	Power supply for ECM	[Ignition switch: ON]	BATTERY VOLTAGE (11 - 14V)

★: Average voltage for pulse signal (Actual pulse signal can be confirmed by oscilloscope.)

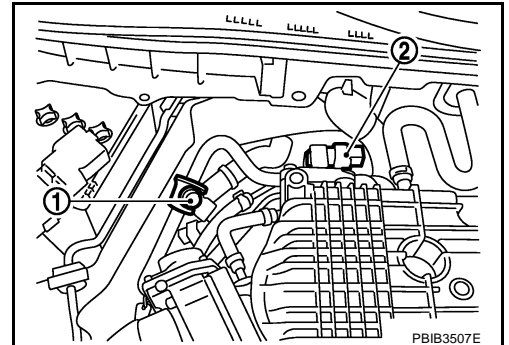
DTC P0443 EVAP CANISTER PURGE VOLUME CONTROL SOLENOID VALVE

Diagnostic Procedure

NBS000FJ

1. CHECK EVAP CANISTER PURGE VOLUME CONTROL SOLENOID VALVE POWER SUPPLY CIRCUIT

1. Turn ignition switch OFF.
2. Disconnect EVAP canister purge volume control solenoid valve (2) harness connector.
1 : EVAP service port
3. Turn ignition switch ON.

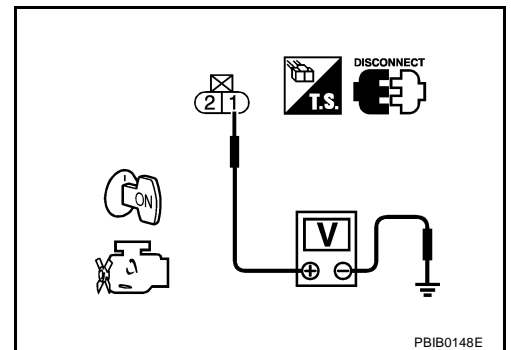


4. Check voltage between EVAP canister purge volume control solenoid valve terminal 1 and ground with CONSULT-III or tester.

Voltage: Battery voltage

OK or NG

- OK >> GO TO 3.
- NG >> GO TO 2.



2. DETECT MALFUNCTIONING PART

Check the following.

- Harness connectors E108, M15
- Harness connectors M72, F102
- Harness for open or short between EVAP canister purge volume control solenoid valve and IPDM E/R
- Harness for open or short between EVAP canister purge volume control solenoid valve and ECM

>> Repair open circuit or short to ground or short to power in harness or connectors.

3. CHECK EVAP CANISTER PURGE VOLUME CONTROL SOLENOID VALVE OUTPUT SIGNAL CIRCUIT FOR OPEN AND SHORT

1. Turn ignition switch OFF.
2. Disconnect ECM harness connector.
3. Check harness continuity between ECM terminal 21 and EVAP canister purge volume control solenoid valve terminal 2. Refer to Wiring Diagram.

Continuity should exist.

4. Also check harness for short to ground and short to power.

OK or NG

- OK >> GO TO 4.
- NG >> Repair open circuit or short to ground or short to power in harness or connectors.

DTC P0443 EVAP CANISTER PURGE VOLUME CONTROL SOLENOID VALVE

4. CHECK EVAP CONTROL SYSTEM PRESSURE SENSOR CONNECTOR

1. Disconnect EVAP control system pressure sensor harness connector.
2. Check connectors for water.

Water should not exist.

OK or NG

- OK >> GO TO 5.
NG >> Replace EVAP control system pressure sensor.

5. CHECK EVAP CONTROL SYSTEM PRESSURE SENSOR

Refer to [EC-455, "Component Inspection"](#) .

OK or NG

- OK (With CONSULT-III)>>GO TO 6.
OK (Without CONSULT-III)>>GO TO 7.
NG >> Replace EVAP control system pressure sensor.

6. CHECK EVAP CANISTER PURGE VOLUME CONTROL SOLENOID VALVE

 **With CONSULT-III**

1. Turn ignition switch OFF.
2. Reconnect harness connectors disconnected.
3. Start engine.
4. Perform "PURG VOL CONT/V" in "ACTIVE TEST" mode with CONSULT-III. Check that engine speed varies according to the valve opening.

OK or NG

- OK >> GO TO 8.
NG >> GO TO 7.

7. CHECK EVAP CANISTER PURGE VOLUME CONTROL SOLENOID VALVE

Refer to [EC-430, "Component Inspection"](#) .

OK or NG

- OK >> GO TO 8.
NG >> Replace EVAP canister purge volume control solenoid valve.

8. CHECK RUBBER TUBE FOR CLOGGING

1. Disconnect rubber tube connected to EVAP canister vent control valve.
2. Check the rubber tube for clogging.

OK or NG

- OK >> GO TO 9.
NG >> Clean the rubber tube using an air blower.

9. CHECK EVAP CANISTER VENT CONTROL VALVE

Refer to [EC-442, "Component Inspection"](#) .

OK or NG

- OK >> GO TO 10.
NG >> Replace EVAP canister vent control valve.

DTC P0443 EVAP CANISTER PURGE VOLUME CONTROL SOLENOID VALVE

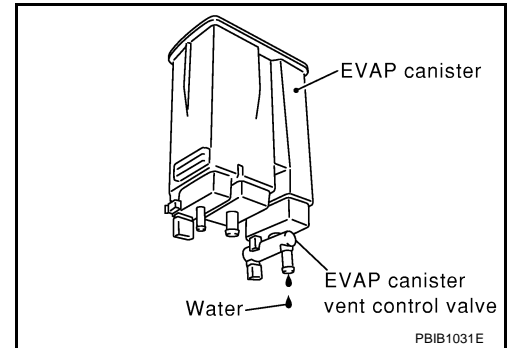
10. CHECK IF EVAP CANISTER SATURATED WITH WATER

1. Remove EVAP canister with EVAP canister vent control valve and EVAP control system pressure sensor attached.
2. Does water drain from the EVAP canister?

OK or NG

OK >> GO TO 11.

NG >> GO TO 13.



11. CHECK EVAP CANISTER

Weigh the EVAP canister with the EVAP canister vent control valve and EVAP control system pressure sensor attached.

The weight should be less than 2.2 kg (4.9 lb).

OK or NG

OK >> GO TO 13.

NG >> GO TO 12.

12. DETECT MALFUNCTIONING PART

Check the following.

- EVAP canister for damage
- EVAP hose between EVAP canister and vehicle frame for clogging or poor connection

>> Repair hose or replace EVAP canister.

13. CHECK INTERMITTENT INCIDENT

Refer to [EC-141, "TROUBLE DIAGNOSIS FOR INTERMITTENT INCIDENT"](#) .

>> INSPECTION END

DTC P0443 EVAP CANISTER PURGE VOLUME CONTROL SOLENOID VALVE

Component Inspection

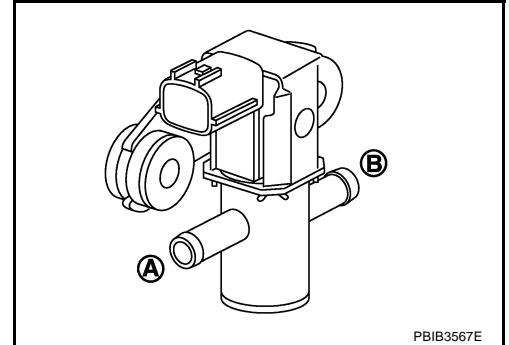
EVAP CANISTER PURGE VOLUME CONTROL SOLENOID VALVE

NBS000FK

🔧 With CONSULT-III

Check air passage continuity of EVAP canister purge volume control solenoid valve under the following conditions.

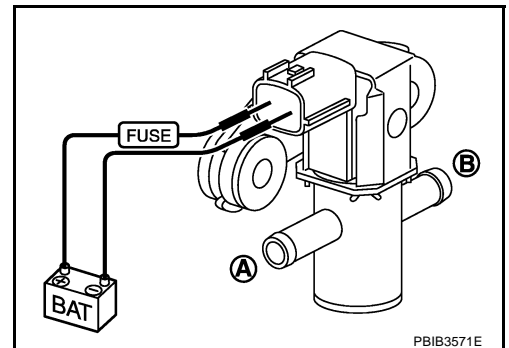
Condition (PURG VOL CONT/V value)	Air passage continuity between A and B
100%	Yes
0%	No



⊗ Without CONSULT-III

Check air passage continuity of EVAP canister purge volume control solenoid valve under the following conditions.

Condition	Air passage continuity between A and B
12V direct current supply between terminals 1 and 2	Yes
No supply	No



Removal and Installation

EVAP CANISTER PURGE VOLUME CONTROL SOLENOID VALVE

NBS000FL

Refer to [EM-17, "INTAKE MANIFOLD COLLECTOR"](#) .

DTC P0444, P0445 EVAP CANISTER PURGE VOLUME CONTROL SOLENOID VALVE

DTC P0444, P0445 EVAP CANISTER PURGE VOLUME CONTROL SOLENOID VALVE

PFP:14920

Description SYSTEM DESCRIPTION

NBS0008W

Sensor	Input Signal to ECM	ECM function	Actuator
Crankshaft position sensor (POS) Camshaft position sensor (PHASE)	Engine speed* ¹	EVAP canister purge flow control	EVAP canister purge vol- ume control solenoid valve
Mass air flow sensor	Amount of intake air		
Engine coolant temperature sensor	Engine coolant temperature		
Battery	Battery voltage* ¹		
Throttle position sensor	Throttle position		
Accelerator pedal position sensor	Accelerator pedal position		
Air fuel ratio (A/F) sensor 1	Density of oxygen in exhaust gas (Mixture ratio feedback signal)		
Fuel tank temperature sensor	Fuel temperature in fuel tank		
Wheel sensor	Vehicle speed* ²		

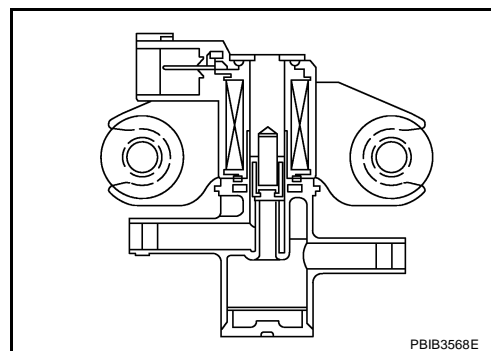
*1: ECM determines the start signal status by the signals of engine speed and battery voltage.

*2: This signal is sent to the ECM through CAN communication line.

This system controls flow rate of fuel vapor from the EVAP canister. The opening of the vapor by-pass passage in the EVAP canister purge volume control solenoid valve changes to control the flow rate. The EVAP canister purge volume control solenoid valve repeats ON/OFF operation according to the signal sent from the ECM. The opening of the valve varies for optimum engine control. The optimum value stored in the ECM is determined by considering various engine conditions. When the engine is operating, the flow rate of fuel vapor from the EVAP canister is regulated as the air flow changes.

COMPONENT DESCRIPTION

The EVAP canister purge volume control solenoid valve uses a ON/OFF duty to control the flow rate of fuel vapor from the EVAP canister. The EVAP canister purge volume control solenoid valve is moved by ON/OFF pulses from the ECM. The longer the ON pulse, the greater the amount of fuel vapor that will flow through the valve.



CONSULT-III Reference Value in Data Monitor Mode

NBS0008X

Specification data are reference values.

MONITOR ITEM	CONDITION	SPECIFICATION
PURG VOL C/V	<ul style="list-style-type: none"> ● Engine: After warming up ● Shift lever: P or N (A/T), Neutral (M/T) position 	Idle (Accelerator pedal is not depressed even slightly, after engine starting)
	<ul style="list-style-type: none"> ● Air conditioner switch: OFF ● No load 	2,000 rpm

DTC P0444, P0445 EVAP CANISTER PURGE VOLUME CONTROL SOLENOID VALVE

On Board Diagnosis Logic

NBS0008Y

DTC No.	Trouble diagnosis name	DTC detecting condition	Possible cause
P0444 0444	EVAP canister purge volume control solenoid valve circuit open	An excessively low voltage signal is sent to ECM through the valve	<ul style="list-style-type: none">● Harness or connectors (The solenoid valve circuit is open or shorted.)● EVAP canister purge volume control solenoid valve
P0445 0445	EVAP canister purge volume control solenoid valve circuit shorted	An excessively high voltage signal is sent to ECM through the valve	<ul style="list-style-type: none">● Harness or connectors (The solenoid valve circuit is shorted.)● EVAP canister purge volume control solenoid valve

DTC Confirmation Procedure

NBS0008Z

NOTE:

If DTC Confirmation Procedure has been previously conducted, always turn ignition switch OFF and wait at least 10 seconds before conducting the next test.

TESTING CONDITION:

Before performing the following procedure, confirm battery voltage is more than 11V at idle.

WITH CONSULT-III

1. Start engine and let it idle for at least 13 seconds.
2. Check 1st trip DTC.
3. If 1st trip DTC is detected, go to [EC-435, "Diagnostic Procedure"](#).

WITH GST

Follow the procedure "WITH CONSULT-III" above.

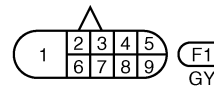
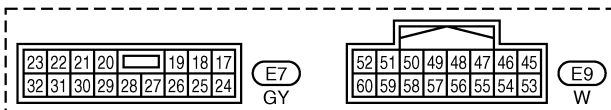
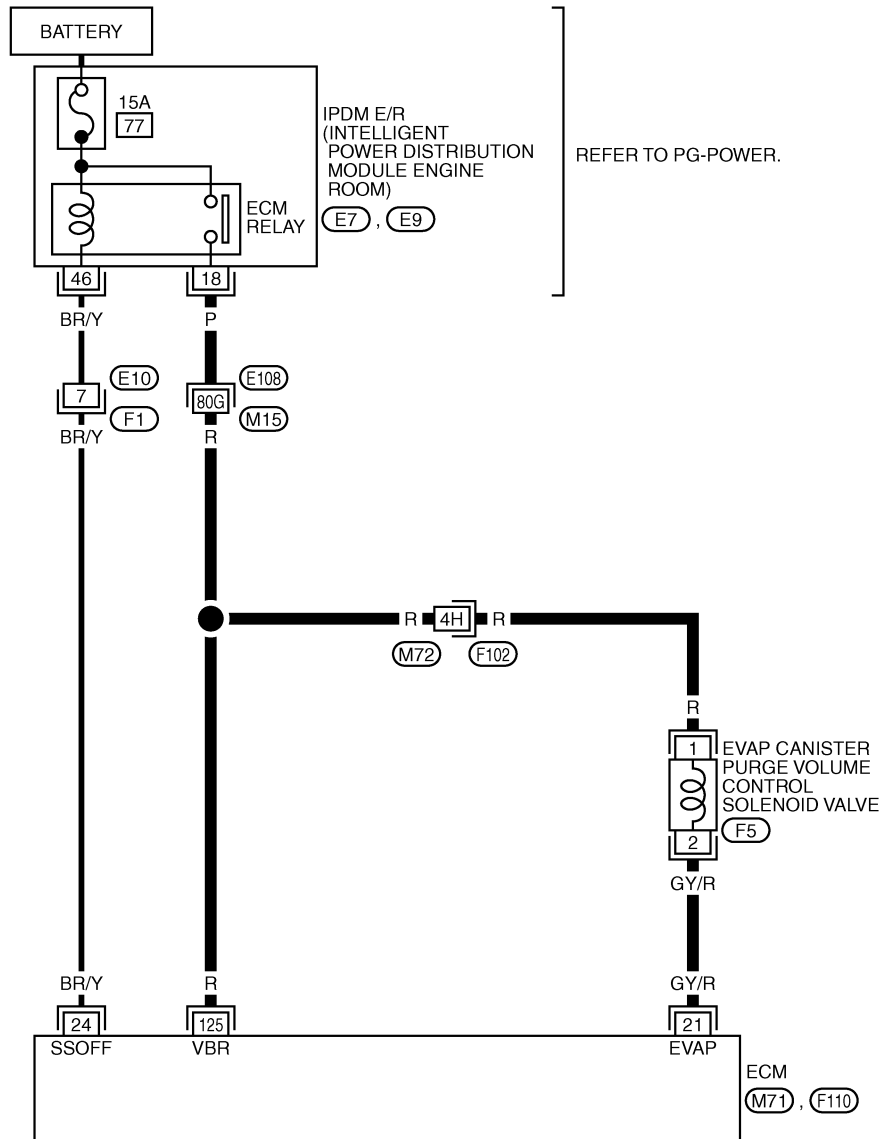
DTC P0444, P0445 EVAP CANISTER PURGE VOLUME CONTROL SOLENOID VALVE

Wiring Diagram

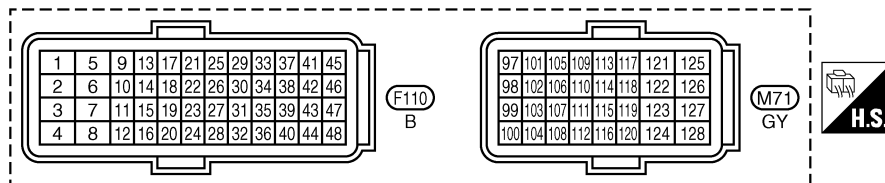
NBS00090

EC-PGC/V-01

— : DETECTABLE LINE FOR DTC
 - - - : NON-DETECTABLE LINE FOR DTC



REFER TO THE FOLLOWING.
 (E108), (F102) -SUPER MULTIPLE JUNCTION (SMJ)



TBWT1648E

DTC P0444, P0445 EVAP CANISTER PURGE VOLUME CONTROL SOLENOID VALVE

Specification data are reference values and are measured between each terminal and ground.
Pulse signal is measured by CONSULT-III.

CAUTION:

Do not use ECM ground terminals when measuring input/output voltage. Doing so may result in damage to the ECM's transistor. Use a ground other than ECM terminals, such as the ground.

TER-MINAL NO.	WIRE COLOR	ITEM	CONDITION	DATA (DC Voltage)
21	GY/R	EVAP canister purge volume control solenoid valve	<p>[Engine is running]</p> <ul style="list-style-type: none"> ● Idle speed ● Accelerator pedal: Not depressed even slightly, after engine starting. 	<p>BATTERY VOLTAGE (11 - 14V)★</p>
			<p>[Engine is running]</p> <ul style="list-style-type: none"> ● Engine speed: About 2,000 rpm (More than 100 seconds after starting engine) 	<p>BATTERY VOLTAGE (11 - 14V)★</p>
24	BR/Y	ECM relay (Self shut-off)	<p>[Engine is running] [Ignition switch: OFF]</p> <ul style="list-style-type: none"> ● For a few seconds after turning ignition switch OFF 	0 - 1.5V
			<p>[Ignition switch: OFF]</p> <ul style="list-style-type: none"> ● More than a few seconds after turning ignition switch OFF 	BATTERY VOLTAGE (11 - 14V)
125	R	Power supply for ECM	[Ignition switch: ON]	BATTERY VOLTAGE (11 - 14V)

★: Average voltage for pulse signal (Actual pulse signal can be confirmed by oscilloscope.)

DTC P0444, P0445 EVAP CANISTER PURGE VOLUME CONTROL SOLENOID VALVE

Diagnostic Procedure

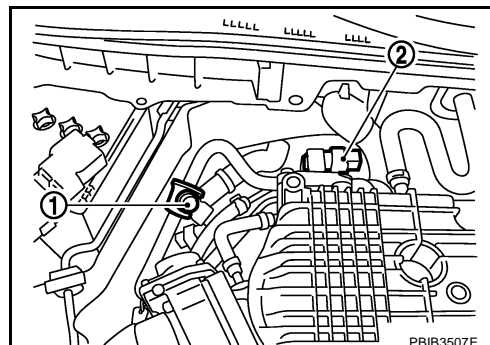
NBS00091

1. CHECK EVAP CANISTER PURGE VOLUME CONTROL SOLENOID VALVE POWER SUPPLY CIRCUIT

1. Turn ignition switch OFF.
2. Disconnect EVAP canister purge volume control solenoid valve (2) harness connector.

1 : EVAP service port

3. Turn ignition switch ON.

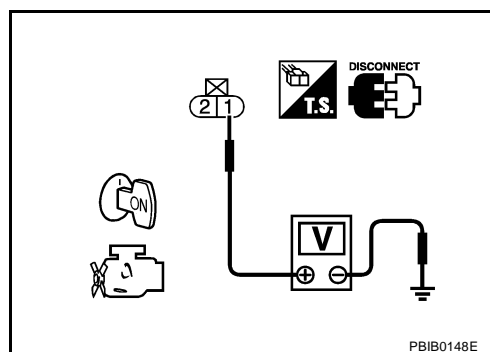


4. Check voltage between EVAP canister purge volume control solenoid valve terminal 1 and ground with CONSULT-III or tester.

Voltage: Battery voltage

OK or NG

- OK >> GO TO 3.
- NG >> GO TO 2.



2. DETECT MALFUNCTIONING PART

Check the following.

- Harness connectors E108, M15
- Harness connectors M72, F102
- Harness for open or short between EVAP canister purge volume control solenoid valve and IPDM E/R
- Harness for open or short between EVAP canister purge volume control solenoid valve and ECM

>> Repair open circuit or short to ground or short to power in harness or connectors.

3. CHECK EVAP CANISTER PURGE VOLUME CONTROL SOLENOID VALVE OUTPUT SIGNAL CIRCUIT FOR OPEN AND SHORT

1. Turn ignition switch OFF.
2. Disconnect ECM harness connector.
3. Check harness continuity between ECM terminal 21 and EVAP canister purge volume control solenoid valve terminal 2. Refer to Wiring Diagram.

Continuity should exist.

4. Also check harness for short to ground and short to power.

OK or NG

- OK (With CONSULT-III)>>GO TO 4.
- OK (Without CONSULT-III)>>GO TO 5.
- NG >> Repair open circuit or short to ground or short to power in harness or connectors.

DTC P0444, P0445 EVAP CANISTER PURGE VOLUME CONTROL SOLENOID VALVE

4. CHECK EVAP CANISTER PURGE VOLUME CONTROL SOLENOID VALVE OPERATION

With CONSULT-III

1. Reconnect all harness connectors disconnected.
2. Start engine.
3. Perform "PURG VOL CONT/V" in "ACTIVE TEST" mode with CONSULT-III. Check that engine speed varies according to the valve opening.

OK or NG

- OK >> GO TO 6.
 NG >> GO TO 5.

5. CHECK EVAP CANISTER PURGE VOLUME CONTROL SOLENOID VALVE

Refer to [EC-436, "Component Inspection"](#) .

OK or NG

- OK >> GO TO 6.
 NG >> Replace EVAP canister purge volume control solenoid valve.

6. CHECK INTERMITTENT INCIDENT

Refer to [EC-141, "TROUBLE DIAGNOSIS FOR INTERMITTENT INCIDENT"](#) .

>> INSPECTION END

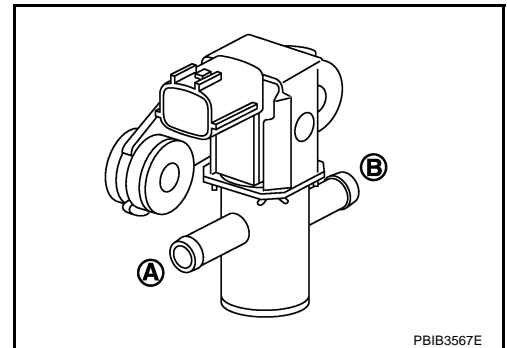
Component Inspection EVAP CANISTER PURGE VOLUME CONTROL SOLENOID VALVE

NBS00092

With CONSULT-III

Check air passage continuity of EVAP canister purge volume control solenoid valve under the following conditions.

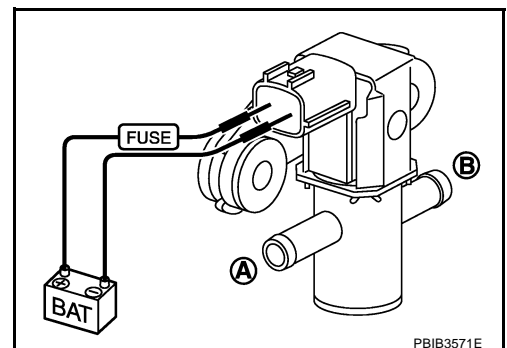
Condition (PURG VOL CONT/V value)	Air passage continuity between A and B
100%	Yes
0%	No



Without CONSULT-III

Check air passage continuity of EVAP canister purge volume control solenoid valve under the following conditions.

Condition	Air passage continuity between A and B
12V direct current supply between terminals 1 and 2	Yes
No supply	No



Removal and Installation EVAP CANISTER PURGE VOLUME CONTROL SOLENOID VALVE

NBS00093

Refer to [EM-17, "INTAKE MANIFOLD COLLECTOR"](#) .

DTC P0447 EVAP CANISTER VENT CONTROL VALVE

DTC P0447 EVAP CANISTER VENT CONTROL VALVE

PF14935

Component Description

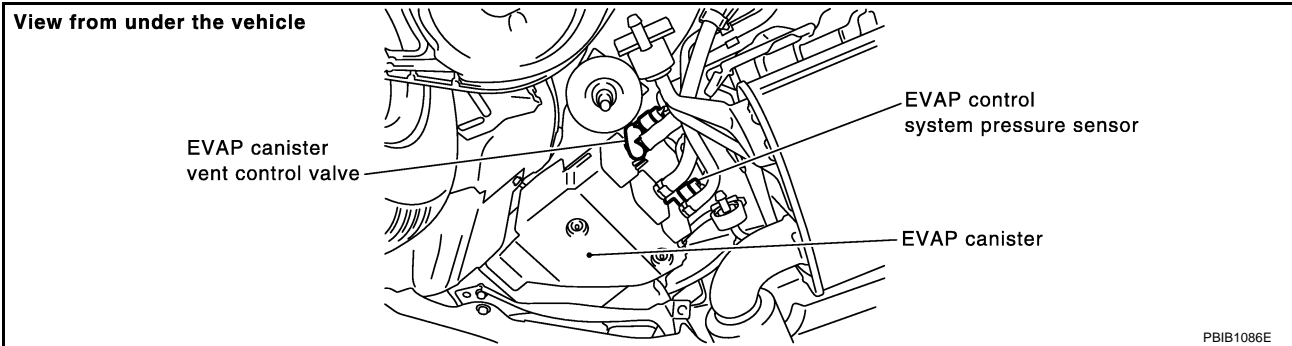
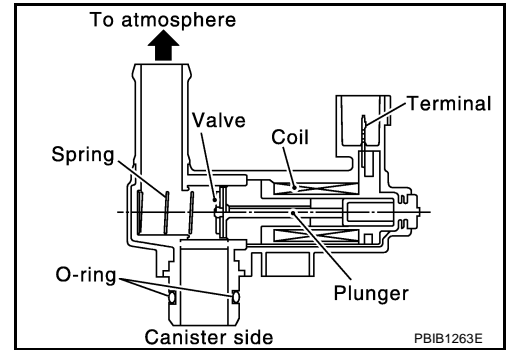
NBS00094

The EVAP canister vent control valve is located on the EVAP canister and is used to seal the canister vent.

This solenoid valve responds to signals from the ECM. When the ECM sends an ON signal, the coil in the solenoid valve is energized. A plunger will then move to seal the canister vent. The ability to seal the vent is necessary for the on board diagnosis of other evaporative emission control system components.

This solenoid valve is used only for diagnosis, and usually remains opened.

When the vent is closed, under normal purge conditions, the evaporative emission control system is depressurized and allows "EVAP Control System" diagnosis.



CONSULT-III Reference Value in Data Monitor Mode

NBS00095

Specification data are reference values.

MONITOR ITEM	CONDITION	SPECIFICATION
VENT CONT/V	● Ignition switch: ON	OFF

On Board Diagnosis Logic

NBS00096

DTC No.	Trouble diagnosis name	DTC detecting condition	Possible cause
P0447 0447	EVAP canister vent control valve circuit open	An improper voltage signal is sent to ECM through EVAP canister vent control valve.	<ul style="list-style-type: none"> ● Harness or connectors (The valve circuit is open or shorted.) ● EVAP canister vent control valve

DTC P0447 EVAP CANISTER VENT CONTROL VALVE

DTC Confirmation Procedure

NBS00097

NOTE:

If DTC Confirmation Procedure has been previously conducted, always turn ignition switch OFF and wait at least 10 seconds before conducting the next test.

TESTING CONDITION:

Before performing the following procedure, confirm battery voltage is more than 11V at idle.

WITH CONSULT-III

1. Start engine and wait at least 8 seconds.
2. Check 1st trip DTC.
3. If 1st trip DTC is detected, go to [EC-440, "Diagnostic Procedure"](#).

WITH GST

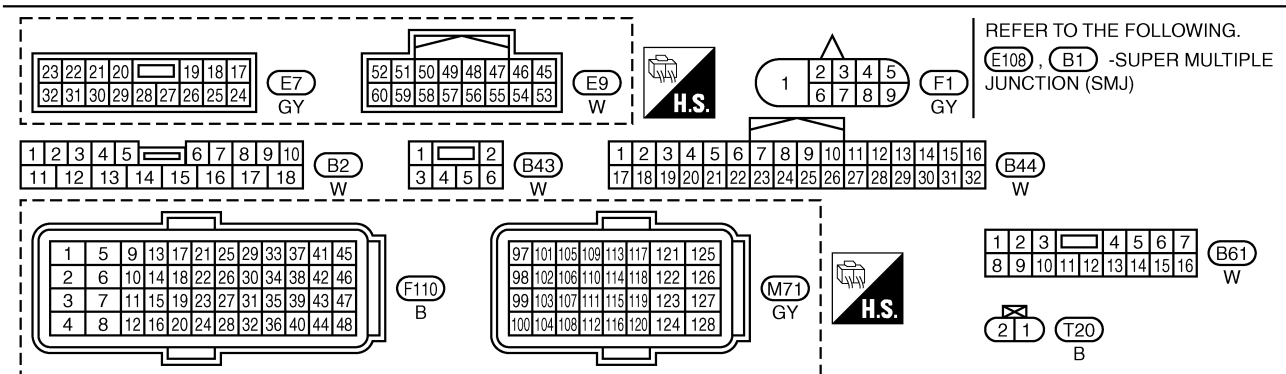
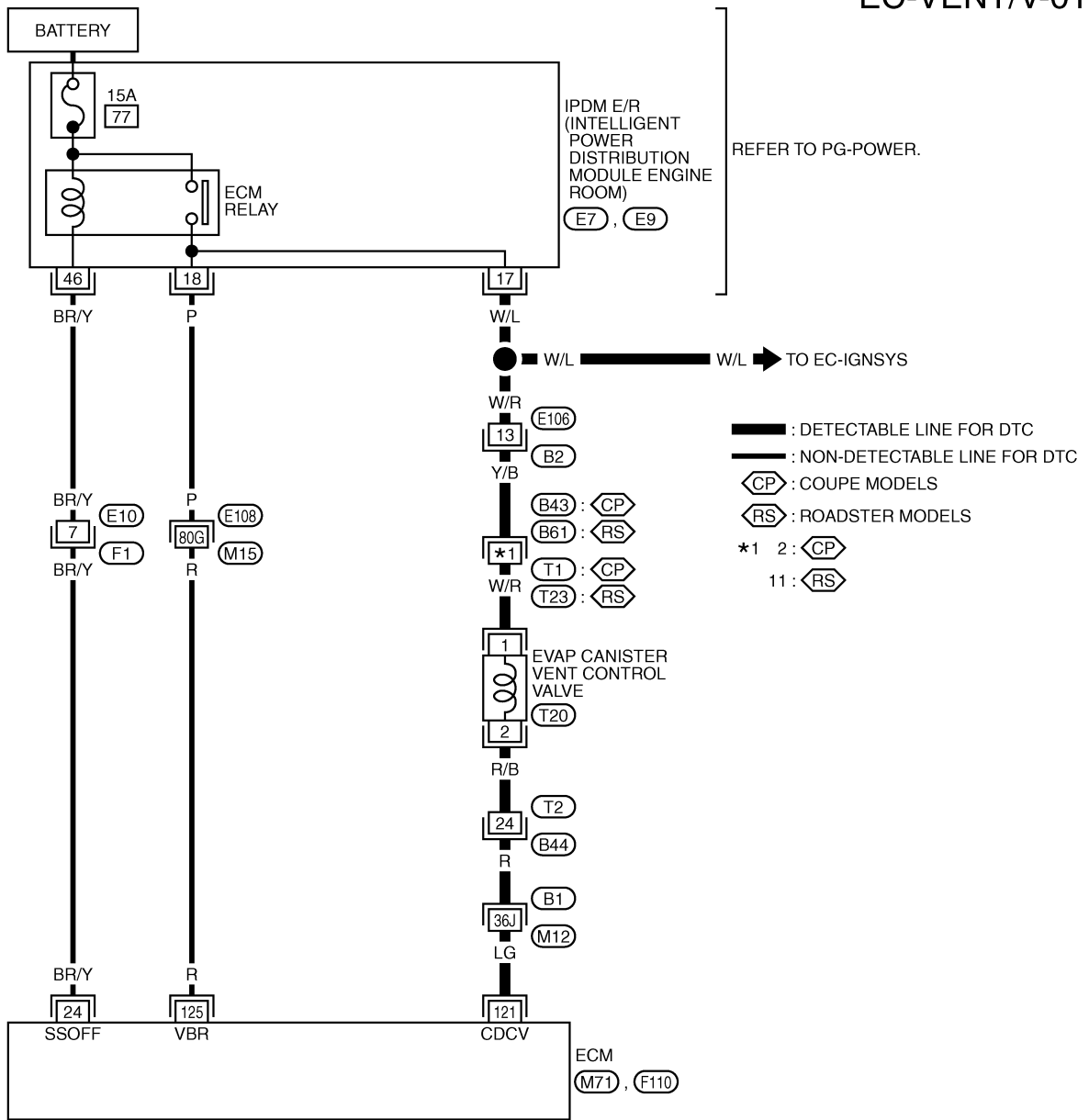
Follow the procedure "WITH CONSULT-III" above.

DTC P0447 EVAP CANISTER VENT CONTROL VALVE

Wiring Diagram

NBS00098

EC-VENT/V-01



TBWT1649E

DTC P0447 EVAP CANISTER VENT CONTROL VALVE

Specification data are reference values and are measured between each terminal and ground.

CAUTION:

Do not use ECM ground terminals when measuring input/output voltage. Doing so may result in damage to the ECM's transistor. Use a ground other than ECM terminals, such as the ground.

TERMINAL NO.	WIRE COLOR	ITEM	CONDITION	DATA (DC Voltage)
24	BR/Y	ECM relay (Self shut-off)	[Engine is running] [Ignition switch: OFF] ● For a few seconds after turning ignition switch OFF	0 - 1.5V
			[Ignition switch: OFF] ● More than a few seconds after turning ignition switch OFF	BATTERY VOLTAGE (11 - 14V)
121	LG	EVAP canister vent control valve	[Ignition switch: ON]	BATTERY VOLTAGE (11 - 14V)
125	R	Power supply for ECM	[Ignition switch: ON]	BATTERY VOLTAGE (11 - 14V)

Diagnostic Procedure

NBS00099

1. INSPECTION START

Do you have CONSULT-III?

Yes or No

- Yes >> GO TO 2.
- No >> GO TO 3.

2. CHECK EVAP CANISTER VENT CONTROL VALVE CIRCUIT

Ⓟ With CONSULT-III

1. Turn ignition switch ON.
2. Select "VENT CONTROL/V" in "ACTIVE TEST" mode with CONSULT-III.
3. Touch "ON/OFF" on CONSULT-III screen.
4. Check for operating sound of the valve.

Clicking noise should be heard.

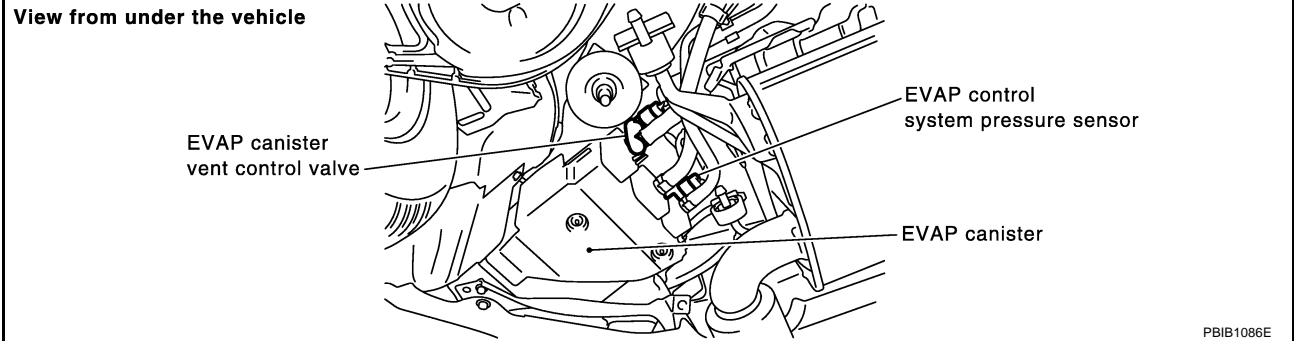
OK or NG

- OK >> GO TO 7.
- NG >> GO TO 3.

DTC P0447 EVAP CANISTER VENT CONTROL VALVE

3. CHECK EVAP CANISTER VENT CONTROL VALVE POWER SUPPLY CIRCUIT

1. Turn ignition switch OFF.
2. Disconnect EVAP canister vent control valve harness connector.

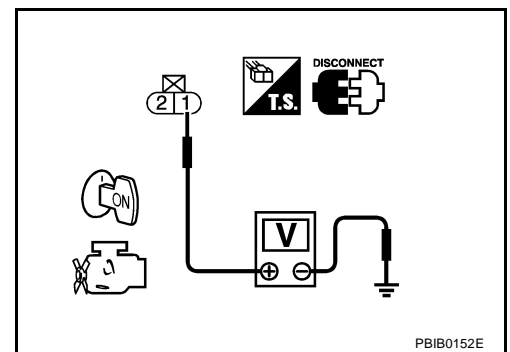


3. Turn ignition switch ON.
4. Check voltage between EVAP canister vent control valve terminal 1 and ground with CONSULT-III or tester.

Voltage: Battery voltage

OK or NG

- OK >> GO TO 5.
- NG >> GO TO 4.



4. DETECT MALFUNCTIONING PART

Check the following.

- Harness connectors E106, B2
- Harness connectors B43, T1 (Coupe models)
- Harness connectors B61, T23 (Roadster models)
- IPDM E/R harness connector E7
- Harness for open or short between EVAP canister vent control valve and IPDM E/R

>> Repair open circuit or short to ground or short to power in harness or connectors.

5. CHECK EVAP CANISTER VENT CONTROL VALVE OUTPUT SIGNAL CIRCUIT FOR OPEN AND SHORT

1. Turn ignition switch OFF.
2. Disconnect ECM harness connector.
3. Check harness continuity between ECM terminal 121 and EVAP canister vent control valve terminal 2. Refer to Wiring Diagram.

Continuity should exist.

4. Also check harness for short to ground and short to power.

OK or NG

- OK >> GO TO 7.
- NG >> GO TO 6.

DTC P0447 EVAP CANISTER VENT CONTROL VALVE

6. DETECT MALFUNCTIONING PART

Check the following.

- Harness connectors T2, B44
- Harness connectors B1, M12
- Harness for open or short between EVAP canister vent control valve and ECM

>> Repair open circuit or short to ground or short to power in harness or connectors.

7. CHECK RUBBER TUBE FOR CLOGGING

1. Turn ignition switch OFF.
2. Disconnect rubber tube connected to EVAP canister vent control valve.
3. Check the rubber tube for clogging.

OK or NG

OK >> GO TO 8.

NG >> Clean the rubber tube using an air blower.

8. CHECK EVAP CANISTER VENT CONTROL VALVE

Refer to [EC-442, "Component Inspection"](#) .

OK or NG

OK >> GO TO 9.

NG >> Replace EVAP canister vent control valve.

9. CHECK INTERMITTENT INCIDENT

Refer to [EC-141, "TROUBLE DIAGNOSIS FOR INTERMITTENT INCIDENT"](#) .

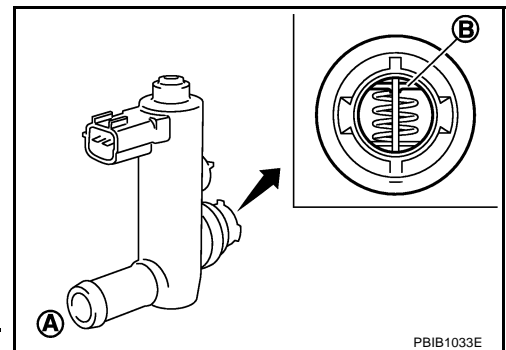
>> INSPECTION END

Component Inspection EVAP CANISTER VENT CONTROL VALVE

NBS0009A

 With CONSULT-III

1. Remove EVAP canister vent control valve from EVAP canister.
2. Check portion **B** of EVAP canister vent control valve for being rusted.
If NG, replace EVAP canister vent control valve.
If OK, go to next step.
3. Reconnect harness connectors disconnected.
4. Turn ignition switch ON.
5. Perform "VENT CONTROL/V" in "ACTIVE TEST" mode.
6. Check air passage continuity and operation delay time.
Make sure new O-ring is installed properly.



Condition VENT CONTROL/V	Air passage continuity between A and B
ON	No
OFF	Yes

Operation takes less than 1 second.

If NG, replace EVAP canister vent control valve.

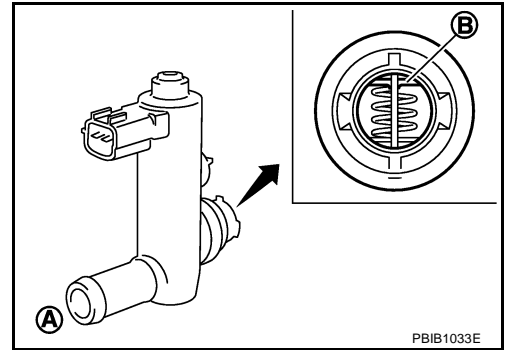
If OK, go to next step.

7. Clean the air passage (Portion **A** to **B**) of EVAP canister vent control valve using an air blower.
8. Perform step 6 again.

DTC P0447 EVAP CANISTER VENT CONTROL VALVE

⊗ **Without CONSULT-III**

1. Remove EVAP canister vent control valve from EVAP canister.
2. Check portion **B** of EVAP canister vent control valve for being rusted.



3. Check air passage continuity and operation delay time under the following conditions.

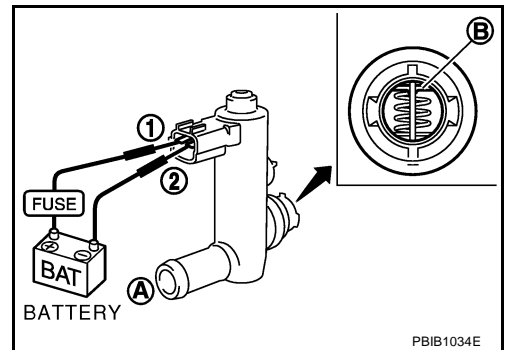
Make sure new O-ring is installed properly.

Condition	Air passage continuity between A and B
12V direct current supply between terminals 1 and 2	No
OFF	Yes

Operation takes less than 1 second.

If NG, replace EVAP canister vent control valve.
If OK, go to next step.

4. Clean the air passage (Portion **A** to **B**) of EVAP canister vent control valve using an air blower.
5. Perform step 3 again.



A
EC
C
D
E
F
G
H
I
J
K
L
M

DTC P0448 EVAP CANISTER VENT CONTROL VALVE

DTC P0448 EVAP CANISTER VENT CONTROL VALVE

PF16935

Component Description

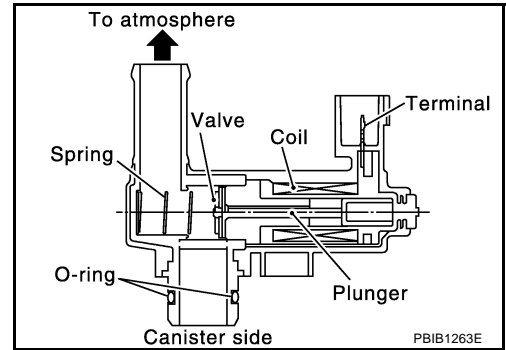
NBS000FM

The EVAP canister vent control valve is located on the EVAP canister and is used to seal the canister vent.

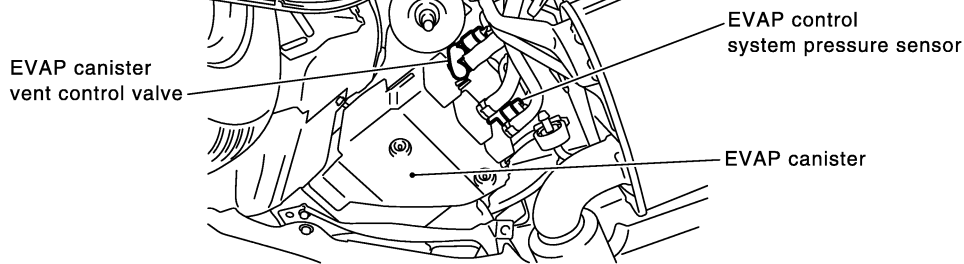
This solenoid valve responds to signals from the ECM. When the ECM sends an ON signal, the coil in the solenoid valve is energized. A plunger will then move to seal the canister vent. The ability to seal the vent is necessary for the on board diagnosis of other evaporative emission control system components.

This solenoid valve is used only for diagnosis, and usually remains opened.

When the vent is closed, under normal purge conditions, the evaporative emission control system is depressurized and allows "EVAP Control System" diagnosis.



View from under the vehicle



CONSULT-III Reference Value in Data Monitor Mode

NBS000FM

Specification data are reference values.

MONITOR ITEM	CONDITION	SPECIFICATION
VENT CONT/V	● Ignition switch: ON	OFF

On Board Diagnosis Logic

NBS000FO

DTC No.	Trouble diagnosis name	DTC detecting condition	Possible cause
P0448 0448	EVAP canister vent control valve close	EVAP canister vent control valve remains closed under specified driving conditions.	<ul style="list-style-type: none"> ● EVAP canister vent control valve ● EVAP control system pressure sensor and the circuit ● Blocked rubber tube to EVAP canister vent control valve ● EVAP canister is saturated with water

DTC P0448 EVAP CANISTER VENT CONTROL VALVE

NBS000FP

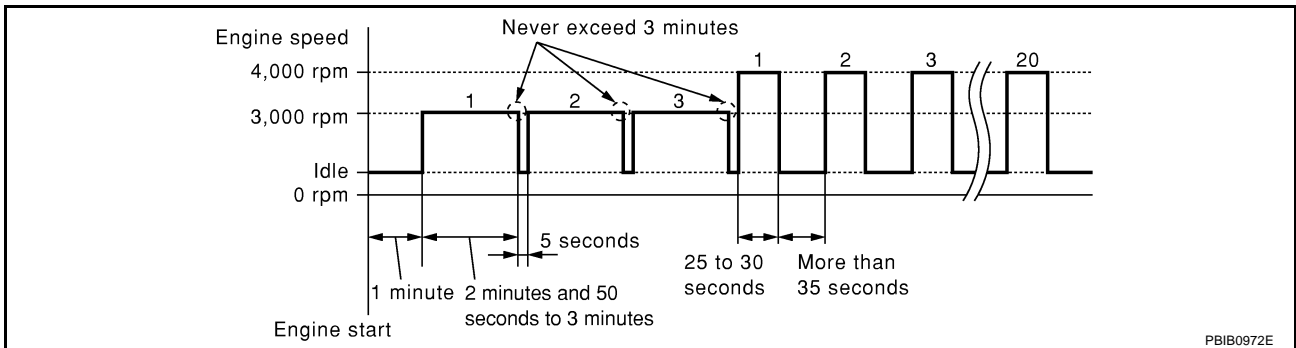
DTC Confirmation Procedure

NOTE:

If DTC Confirmation Procedure has been previously conducted, always turn ignition switch OFF and wait at least 10 seconds before conducting the next test.

Ⓟ WITH CONSULT-III

1. Turn ignition switch ON and wait at least 5 seconds.
2. Turn ignition switch OFF and wait at least 10 seconds.
3. Turn ignition switch ON and select "DATA MONITOR" mode with CONSULT-III.
4. Start engine and let it idle for at least 1 minute.
5. Repeat next procedures for three times.
 - a. Increase the engine speed up to 3,000 to 3,500 rpm and keep it for 2 minutes and 50 seconds to 3 minutes.
Never exceed 3 minutes.
 - b. Fully released accelerator pedal and keep engine idle for about 5 seconds.
6. Check 1st trip DTC.
7. If 1st trip DTC is detected, go to [EC-447, "Diagnostic Procedure"](#) .
If 1st trip DTC is not detected, go to the next step.
8. Repeat next procedure for 20 times.
 - a. Quickly increase the engine speed up to 4,000 to 4,500 rpm or more and keep it for 25 to 30 seconds.
 - b. Fully released accelerator pedal and keep engine idle for at least 35 seconds.



9. Check 1st trip DTC.
10. If 1st trip DTC is detected, go to [EC-447, "Diagnostic Procedure"](#) .

Ⓟ WITH GST

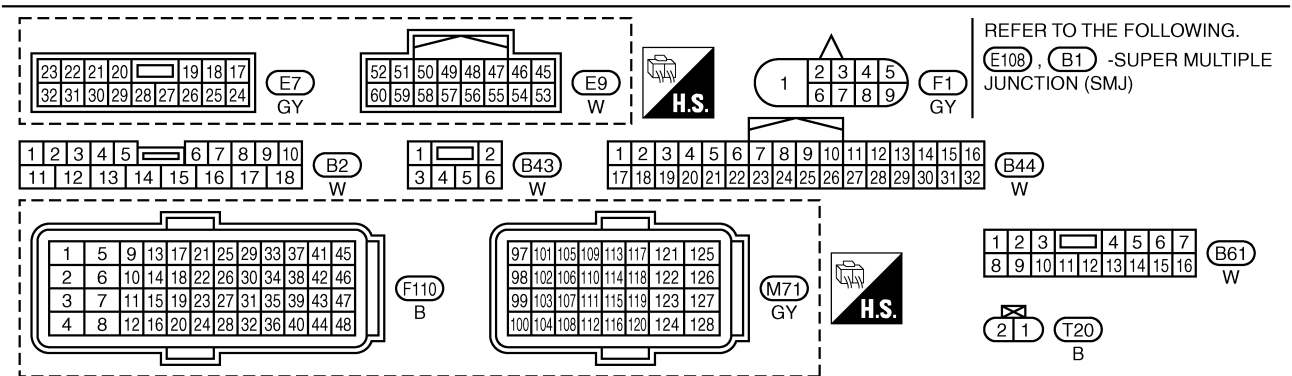
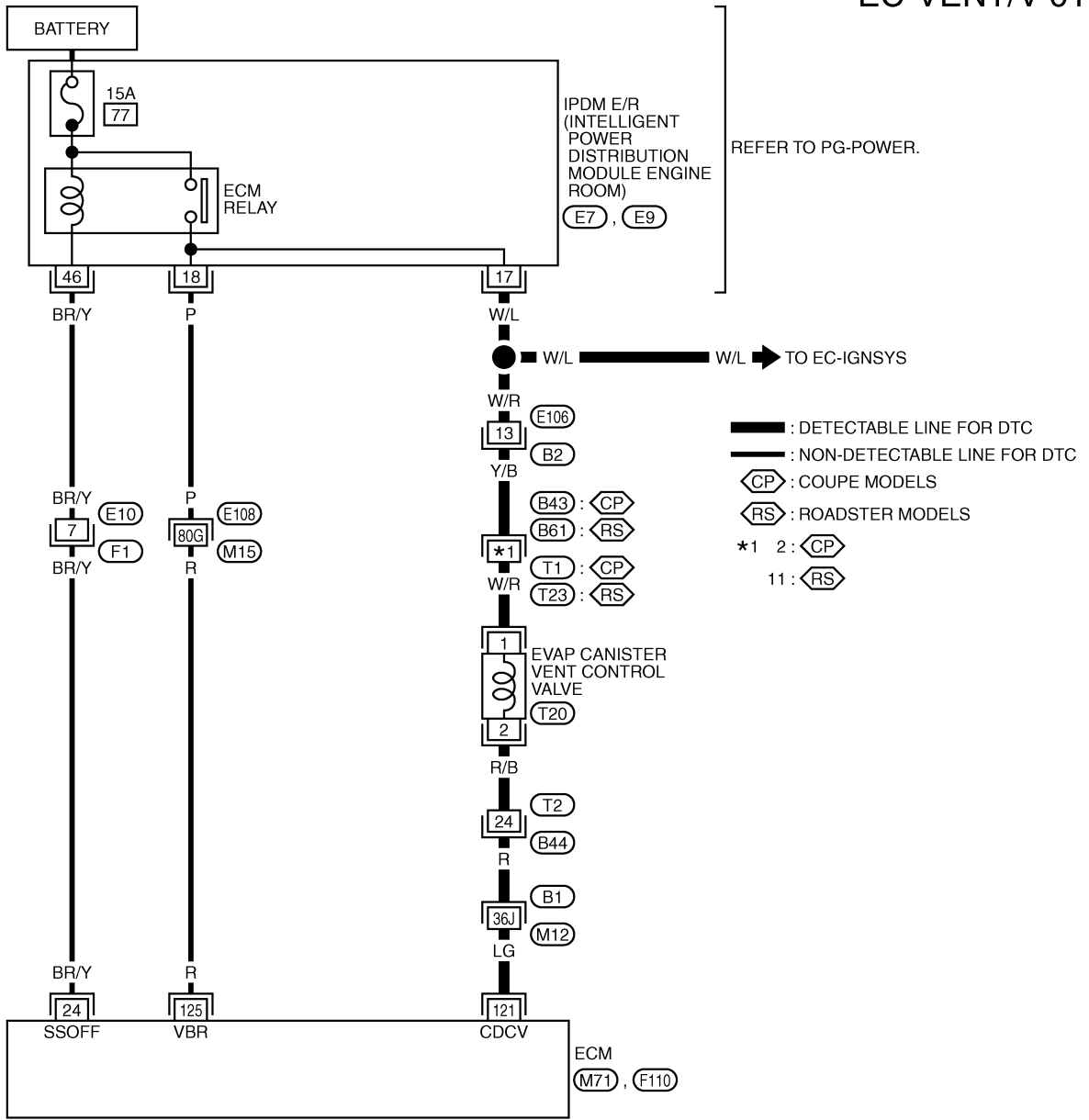
Follow the procedure "WITH CONSULT-III" above.

DTC P0448 EVAP CANISTER VENT CONTROL VALVE

NBS000FQ

Wiring Diagram

EC-VENT/V-01



TBWT1649E

DTC P0448 EVAP CANISTER VENT CONTROL VALVE

Specification data are reference values and are measured between each terminal and ground.

CAUTION:

Do not use ECM ground terminals when measuring input/output voltage. Doing so may result in damage to the ECM's transistor. Use a ground other than ECM terminals, such as the ground.

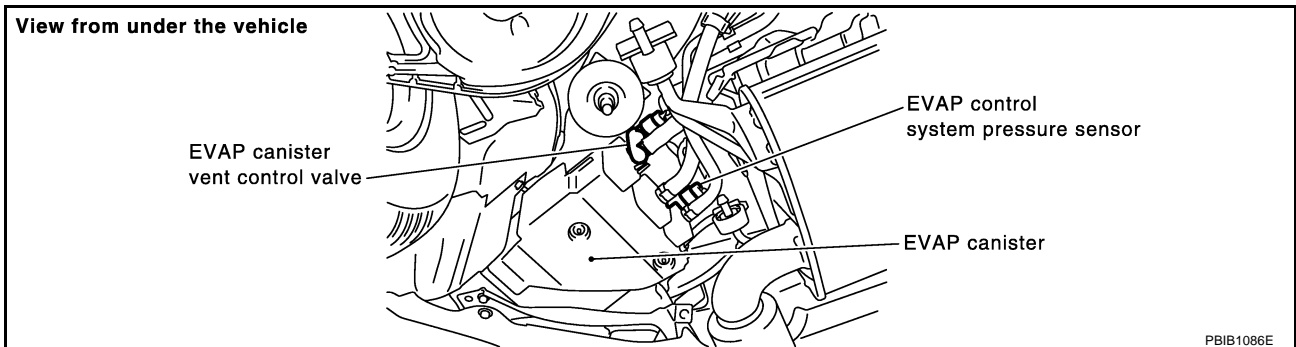
TER-MINAL NO.	WIRE COLOR	ITEM	CONDITION	DATA (DC Voltage)
24	BR/Y	ECM relay (Self shut-off)	[Engine is running] [Ignition switch: OFF] ● For a few seconds after turning ignition switch OFF	0 - 1.5V
			[Ignition switch: OFF] ● More than a few seconds after turning ignition switch OFF	BATTERY VOLTAGE (11 - 14V)
121	LG	EVAP canister vent control valve	[Ignition switch: ON]	BATTERY VOLTAGE (11 - 14V)
125	R	Power supply for ECM	[Ignition switch: ON]	BATTERY VOLTAGE (11 - 14V)

Diagnostic Procedure

NBS000FR

1. CHECK RUBBER TUBE

1. Turn ignition switch OFF.
2. Disconnect rubber tube connected to EVAP canister vent control valve.



3. Check the rubber tube for clogging.

OK or NG

- OK >> GO TO 2.
NG >> Clean rubber tube using an air blower.

2. CHECK EVAP CANISTER VENT CONTROL VALVE

Refer to [EC-449, "EVAP CANISTER VENT CONTROL VALVE"](#).

OK or NG

- OK >> GO TO 3.
NG >> Replace EVAP canister vent control valve.

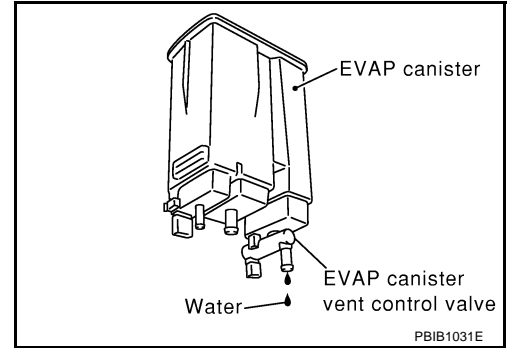
DTC P0448 EVAP CANISTER VENT CONTROL VALVE

3. CHECK IF EVAP CANISTER SATURATED WITH WATER

1. Remove EVAP canister with EVAP canister vent control valve and EVAP control system pressure sensor attached.
2. Does water drain from the EVAP canister?

OK or NG

- OK >> GO TO 4.
NG >> GO TO 6.



4. CHECK EVAP CANISTER

Weigh the EVAP canister with the EVAP canister vent control valve and EVAP control system pressure sensor attached.

The weight should be less than 2.2 kg (4.9 lb).

OK or NG

- OK >> GO TO 6.
NG >> GO TO 5.

5. DETECT MALFUNCTIONING PART

Check the following.

- EVAP canister for damage
- EVAP hose between EVAP canister and vehicle frame for clogging or poor connection

>> Repair hose or replace EVAP canister.

6. CHECK EVAP CONTROL SYSTEM PRESSURE SENSOR CONNECTOR

1. Disconnect EVAP control system pressure sensor harness connector.
2. Check connectors for water.

Water should not exist.

OK or NG

- OK >> GO TO 7.
NG >> Replace EVAP control system pressure sensor.

7. CHECK EVAP CONTROL SYSTEM PRESSURE SENSOR

Refer to [EC-455, "Component Inspection"](#) .

OK or NG

- OK >> GO TO 8.
NG >> Replace EVAP control system pressure sensor.

8. CHECK INTERMITTENT INCIDENT

Refer to [EC-141, "TROUBLE DIAGNOSIS FOR INTERMITTENT INCIDENT"](#) .

>> **INSPECTION END**

DTC P0448 EVAP CANISTER VENT CONTROL VALVE

NBS000FS

Component Inspection EVAP CANISTER VENT CONTROL VALVE

④ With CONSULT-III

1. Remove EVAP canister vent control valve from EVAP canister.
2. Check portion **B** of EVAP canister vent control valve for being rusted.
If NG, replace EVAP canister vent control valve.
If OK, go to next step.
3. Reconnect harness connectors disconnected.
4. Turn ignition switch ON.
5. Perform "VENT CONTROL/V" in "ACTIVE TEST" mode.
6. Check air passage continuity and operation delay time.
Make sure new O-ring is installed properly.

Condition VENT CONTROL/V	Air passage continuity between A and B
ON	No
OFF	Yes

Operation takes less than 1 second.

If NG, replace EVAP canister vent control valve.
If OK, go to next step.

7. Clean the air passage (Portion **A** to **B**) of EVAP canister vent control valve using an air blower.
8. Perform step 6 again.

⊗ Without CONSULT-III

1. Remove EVAP canister vent control valve from EVAP canister.
2. Check portion **B** of EVAP canister vent control valve for being rusted.

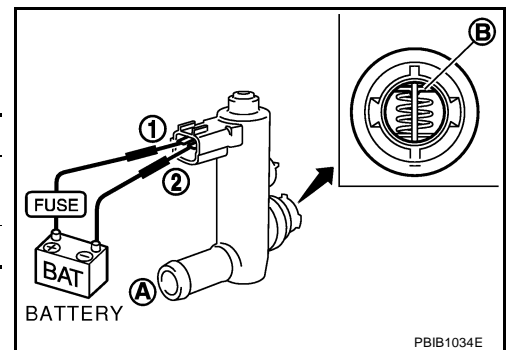
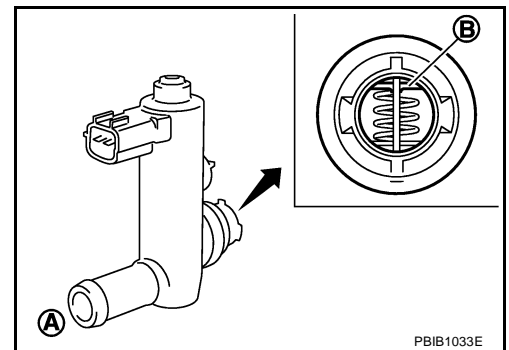
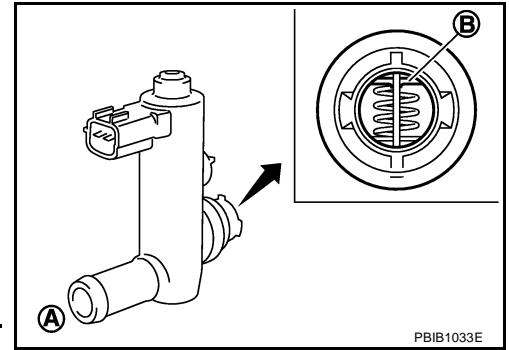
3. Check air passage continuity and operation delay time under the following conditions.
Make sure new O-ring is installed properly.

Condition	Air passage continuity between A and B
12V direct current supply between terminals 1 and 2	No
OFF	Yes

Operation takes less than 1 second.

If NG, replace EVAP canister vent control valve.
If OK, go to next step.

4. Clean the air passage (Portion **A** to **B**) of EVAP canister vent control valve using an air blower.
5. Perform step 3 again.



A
EC
C
D
E
F
G
H
I
J
K
L
M

DTC P0451 EVAP CONTROL SYSTEM PRESSURE SENSOR

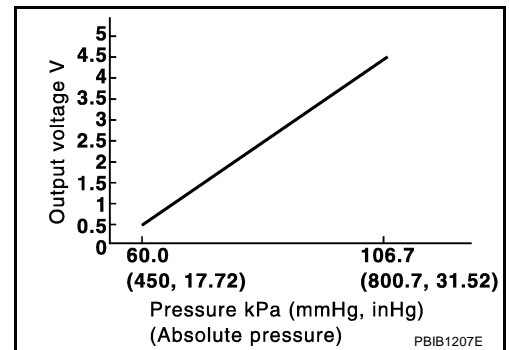
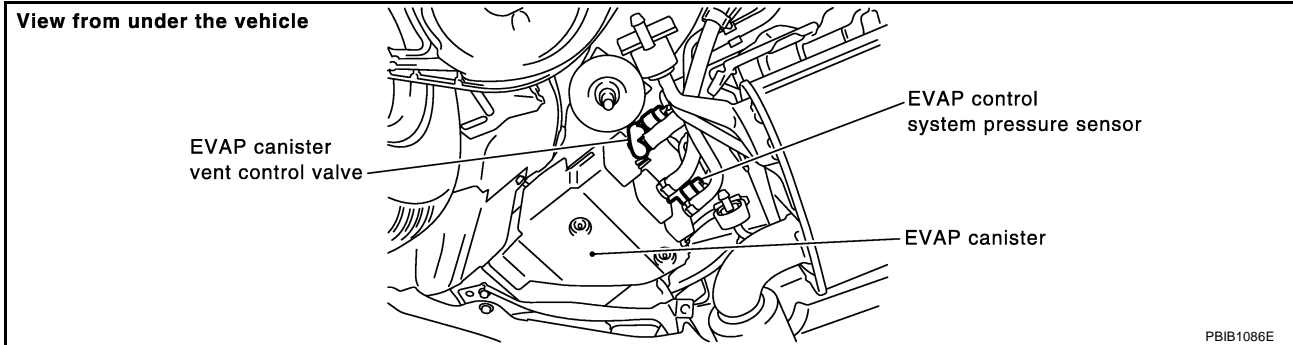
DTC P0451 EVAP CONTROL SYSTEM PRESSURE SENSOR

PFP:22365

Component Description

NBS0009B

The EVAP control system pressure sensor detects pressure in the purge line. The sensor output voltage to the ECM increases as pressure increases.



CONSULT-III Reference Value in Data Monitor Mode

NBS0009C

Specification data are reference values.

MONITOR ITEM	CONDITION	SPECIFICATION
EVAP SYS PRES	● Ignition switch: ON	Approx. 1.8 - 4.8V

On Board Diagnosis Logic

NBS0009D

DTC No.	Trouble diagnosis name	DTC detecting condition	Possible cause
P0451 0451	EVAP control system pressure sensor performance	ECM detects a sloshing signal from the EVAP control system pressure sensor	<ul style="list-style-type: none"> ● Harness or connectors (EVAP control system pressure sensor circuit is shorted.) [CKP sensor (POS) circuit is shorted.] [CMP sensor (PHASE) (bank 2) circuit is shorted.] [EVT control position sensor (bank 2) circuit is shorted.] (APP sensor 2 circuit is shorted.) (Refrigerant pressure sensor circuit is shorted.) ● EVAP control system pressure sensor ● Crankshaft position sensor (POS) ● Camshaft position sensor (PHASE) (bank 2) ● Exhaust valve timing control position sensor (bank 2) ● Accelerator pedal position sensor ● Refrigerant pressure sensor

DTC P0451 EVAP CONTROL SYSTEM PRESSURE SENSOR

DTC Confirmation Procedure

NBS0009E

NOTE:

If DTC Confirmation Procedure has been previously conducted, always turn ignition switch OFF and wait at least 10 seconds before conducting the next test.

WITH CONSULT-III

1. Turn ignition switch OFF and wait at least 10 seconds.
2. Start engine and wait at least 40 seconds.

NOTE:

Do not depress accelerator pedal even slightly.

3. Check 1st trip DTC.
4. If 1st trip DTC is detected, go to [EC-452, "Diagnostic Procedure"](#) .

WITH GST

Follow the procedure "WITH CONSULT-III" above.

A

EC

C

D

E

F

G

H

I

J

K

L

M

DTC P0451 EVAP CONTROL SYSTEM PRESSURE SENSOR

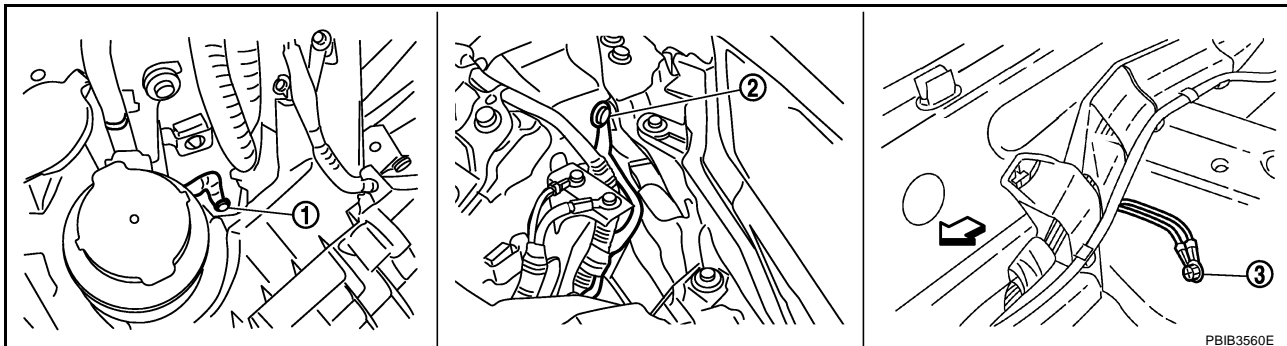
Diagnostic Procedure

NBS0009F

1. CHECK GROUND CONNECTIONS

Models with VDC system, navigation system or telephone

1. Turn ignition switch OFF.
2. Loosen and retighten ground screws on the body. Refer to [EC-150, "Ground Inspection"](#) .



1. Body ground E17

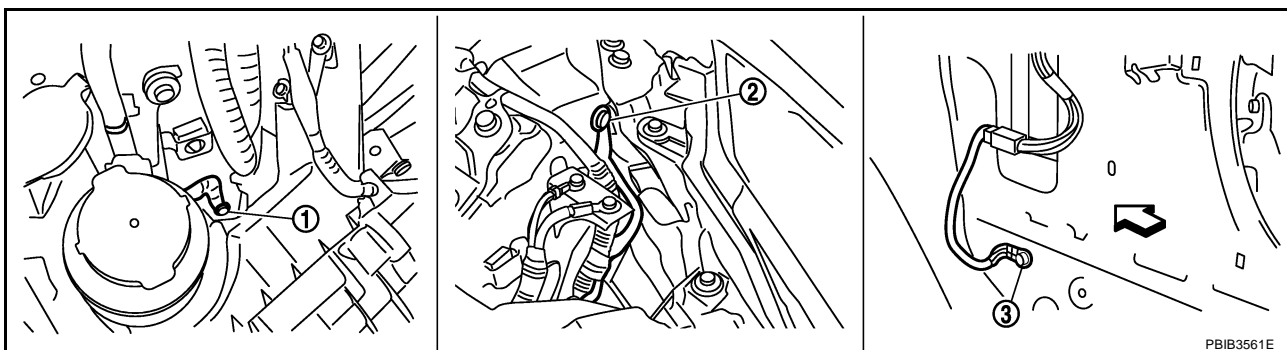
2. Body ground E43

3. Body ground B102

↔ Vehicle front

Models without VDC system, navigation system and telephone

1. Turn ignition switch OFF.
2. Loosen and retighten ground screws on the body. Refer to [EC-150, "Ground Inspection"](#) .



1. Body ground E17

2. Body ground E43

3. Body ground F152
(Passenger side view with dash side
finisher removed)

↔ Vehicle front

OK or NG

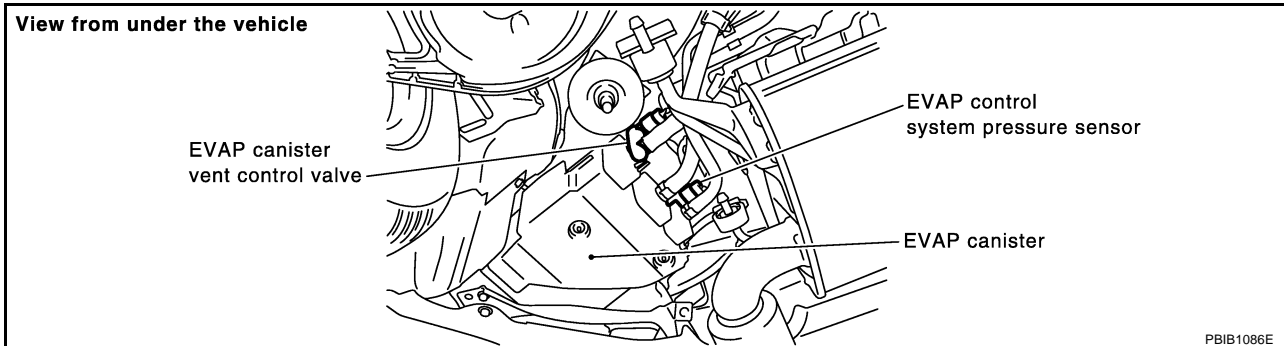
OK >> GO TO 2.

NG >> Repair or replace ground connections.

DTC P0451 EVAP CONTROL SYSTEM PRESSURE SENSOR

2. CHECK EVAP CONTROL SYSTEM PRESSURE SENSOR CONNECTOR FOR WATER

1. Disconnect EVAP control system pressure sensor harness connector.



2. Check sensor harness connector for water.

Water should not exist.

OK or NG

- OK >> GO TO 3.
- NG >> Repair or replace harness connector.

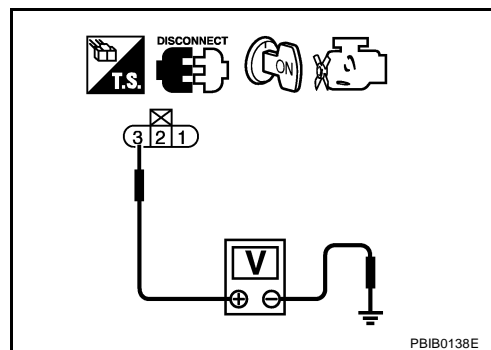
3. CHECK EVAP CONTROL SYSTEM PRESSURE SENSOR POWER SUPPLY CIRCUIT-I

1. Turn ignition switch ON.
2. Check voltage between EVAP control system pressure sensor terminal 3 and ground with CONSULT-III or tester.

Voltage: Approximately 5V

OK or NG

- OK >> GO TO 10.
- NG >> GO TO 4.



4. CHECK EVAP CONTROL SYSTEM PRESSURE SENSOR POWER SUPPLY CIRCUIT-II

1. Turn ignition switch OFF.
2. Disconnect ECM harness connector.
3. Check harness continuity between EVAP control system pressure sensor terminal 3 and ECM terminal 107. Refer to Wiring Diagram.

Continuity should exist.

OK or NG

- OK >> GO TO 6.
- NG >> GO TO 5.

5. DETECT MALFUNCTIONING PART

Check the following.

1. Harness connectors T2, B44
2. Harness connectors B1, M12
3. Harness for open between ECM and EVAP control system pressure sensor.

>> Repair open circuit.

DTC P0451 EVAP CONTROL SYSTEM PRESSURE SENSOR

6. CHECK EVAP CONTROL SYSTEM PRESSURE SENSOR POWER SUPPLY CIRCUIT-III

Check harness for short to power and short to ground, between the following terminals.

ECM terminal	Sensor terminal	Reference Wiring Diagram
46	CKP sensor (POS) terminal 1	EC-388
64	CMP sensor (PHASE) (bank 2) terminal 1	EC-399
	EVT control position sensor (bank 2) terminal 1	EC-532
103	APP sensor terminal 4	EC-643
107	EVAP control system pressure sensor terminal 3	EC-458
111	Refrigerant pressure sensor 1	EC-711

OK or NG

OK >> GO TO 7.

NG >> Repair short to ground or short to power in harness or connectors.

7. CHECK COMPONENTS

Check the following.

- Crankshaft position sensor (POS) (Refer to [EC-393, "Component Inspection"](#) .)
- Camshaft position sensor (PHASE) (bank 2) (Refer to [EC-405, "Component Inspection"](#) .)
- Exhaust valve timing control position sensor (bank 2) (Refer to [EC-539, "Component Inspection"](#) .)
- Refrigerant pressure sensor (Refer to [ATC-80, "COMPONENT INSPECTION"](#) .)

OK or NG

OK >> GO TO 8.

NG >> Replace malfunctioning component.

8. CHECK APP SENSOR

Refer to [EC-648, "Component Inspection"](#) .

OK or NG

OK >> GO TO 11.

NG >> GO TO 9.

9. REPLACE ACCELERATOR PEDAL ASSEMBLY

1. Replace accelerator pedal assembly.
2. Perform [EC-77, "Accelerator Pedal Released Position Learning"](#) .
3. Perform [EC-77, "Throttle Valve Closed Position Learning"](#) .
4. Perform [EC-77, "Idle Air Volume Learning"](#) .

>> INSPECTION END

10. CHECK EVAP CONTROL SYSTEM PRESSURE SENSOR

Refer to [EC-455, "Component Inspection"](#) .

OK or NG

OK >> GO TO 11.

NG >> Replace EVAP control system pressure sensor.

11. CHECK INTERMITTENT INCIDENT

Refer to [EC-141, "TROUBLE DIAGNOSIS FOR INTERMITTENT INCIDENT"](#) .

Refer to [EC-458, "Wiring Diagram"](#) .

>> INSPECTION END

DTC P0451 EVAP CONTROL SYSTEM PRESSURE SENSOR

NBS0009G

Component Inspection

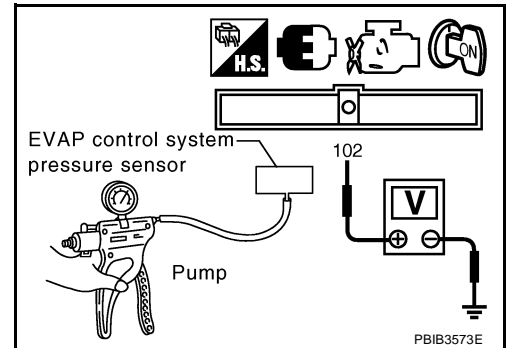
EVAP CONTROL SYSTEM PRESSURE SENSOR

1. Remove EVAP control system pressure sensor with its harness connector connected from EVAP canister.
Always replace O-ring with a new one.
2. Install a vacuum pump to EVAP control system pressure sensor.
3. Turn ignition switch ON and check output voltage between ECM terminal 102 and ground under the following conditions.

Applied vacuum kPa (mmHg, inHg)	Voltage V
Not applied	1.8 - 4.8
-26.7 (-200, -7.87)	2.1 to 2.5V lower than above value

CAUTION:

- Always calibrate the vacuum pump gauge when using it.
 - Do not apply below -93.3 kPa (-700 mmHg, -27.56 inHg) or pressure over 101.3 kPa (760 mmHg, 29.92 inHg).
4. If NG, replace EVAP control system pressure sensor.



A
EC
C
D
E
F
G
H
I
J
K
L
M

DTC P0452 EVAP CONTROL SYSTEM PRESSURE SENSOR

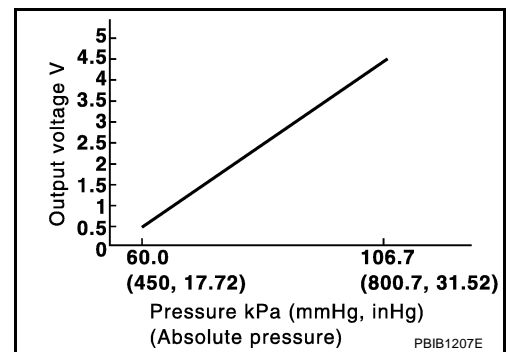
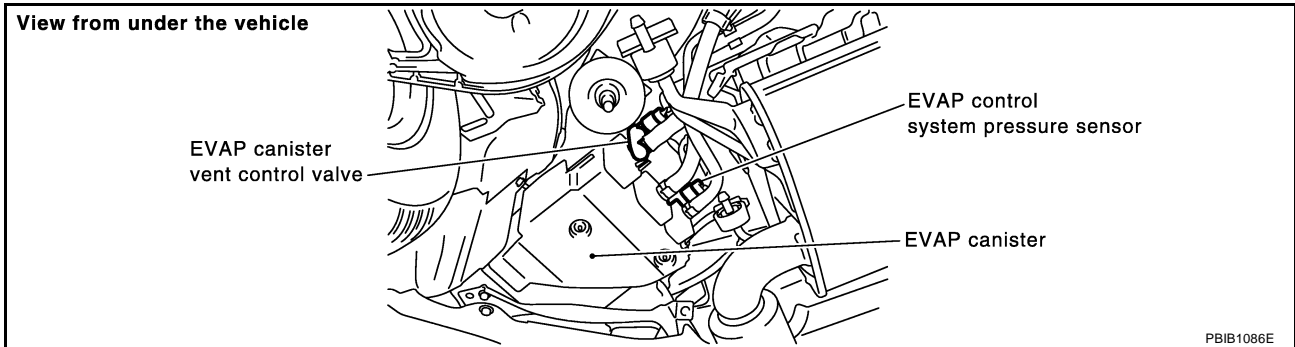
DTC P0452 EVAP CONTROL SYSTEM PRESSURE SENSOR

PFP:25085

Component Description

NBS0009H

The EVAP control system pressure sensor detects pressure in the purge line. The sensor output voltage to the ECM increases as pressure increases.



CONSULT-III Reference Value in Data Monitor Mode

NBS0009I

Specification data are reference values.

MONITOR ITEM	CONDITION	SPECIFICATION
EVAP SYS PRES	● Ignition switch: ON	Approx. 1.8 - 4.8V

On Board Diagnosis Logic

NBS0009J

DTC No.	Trouble diagnosis name	DTC detecting condition	Possible cause
P0452 0452	EVAP control system pressure sensor low input	An excessively low voltage from the sensor is sent to ECM.	<ul style="list-style-type: none"> ● Harness or connectors (EVAP control system pressure sensor circuit is shorted.) [CKP sensor (POS) circuit is shorted.] [CMP sensor (PHASE) (bank 2) circuit is shorted.] [EVT control position sensor (bank 2) circuit is shorted.] (APP sensor 2 circuit is shorted.) (Refrigerant pressure sensor circuit is shorted.) ● EVAP control system pressure sensor ● Crankshaft position sensor (POS) ● Camshaft position sensor (PHASE) (bank 2) ● Exhaust valve timing control position sensor (bank 2) ● Accelerator pedal position sensor ● Refrigerant pressure sensor

DTC P0452 EVAP CONTROL SYSTEM PRESSURE SENSOR

NBS0009K

DTC Confirmation Procedure

NOTE:

If DTC Confirmation Procedure has been previously conducted, always turn ignition switch OFF and wait at least 10 seconds before conducting the next test.

TESTING CONDITION:

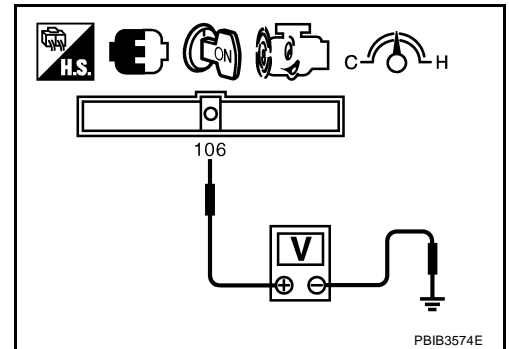
Always perform test at a temperature of 5°C (41°F) or more.

WITH CONSULT-III

1. Start engine and warm it up to normal operating temperature.
2. Turn ignition switch OFF and wait at least 10 seconds.
3. Turn ignition switch ON.
4. Select "DATA MONITOR" mode with CONSULT-III.
5. Make sure that "FUEL T/TEMP SE" is more than 0°C (32°F).
6. Start engine and wait at least 20 seconds.
7. Check 1st trip DTC.
8. If 1st trip DTC is detected, go to [EC-460, "Diagnostic Procedure"](#).

WITH GST

1. Start engine and warm it up to normal operating temperature.
2. Check that voltage between ECM terminal 106 (Fuel tank temperature sensor signal) and ground is less than 4.2V.
3. Turn ignition switch OFF and wait at least 10 seconds.
4. Start engine and wait at least 20 seconds.
5. Select Service \$07 with GST.
If 1st trip DTC is detected, go to [EC-460, "Diagnostic Procedure"](#).



A
EC
C
D
E
F
G
H
I
J
K
L
M

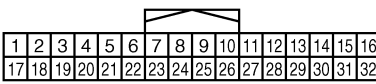
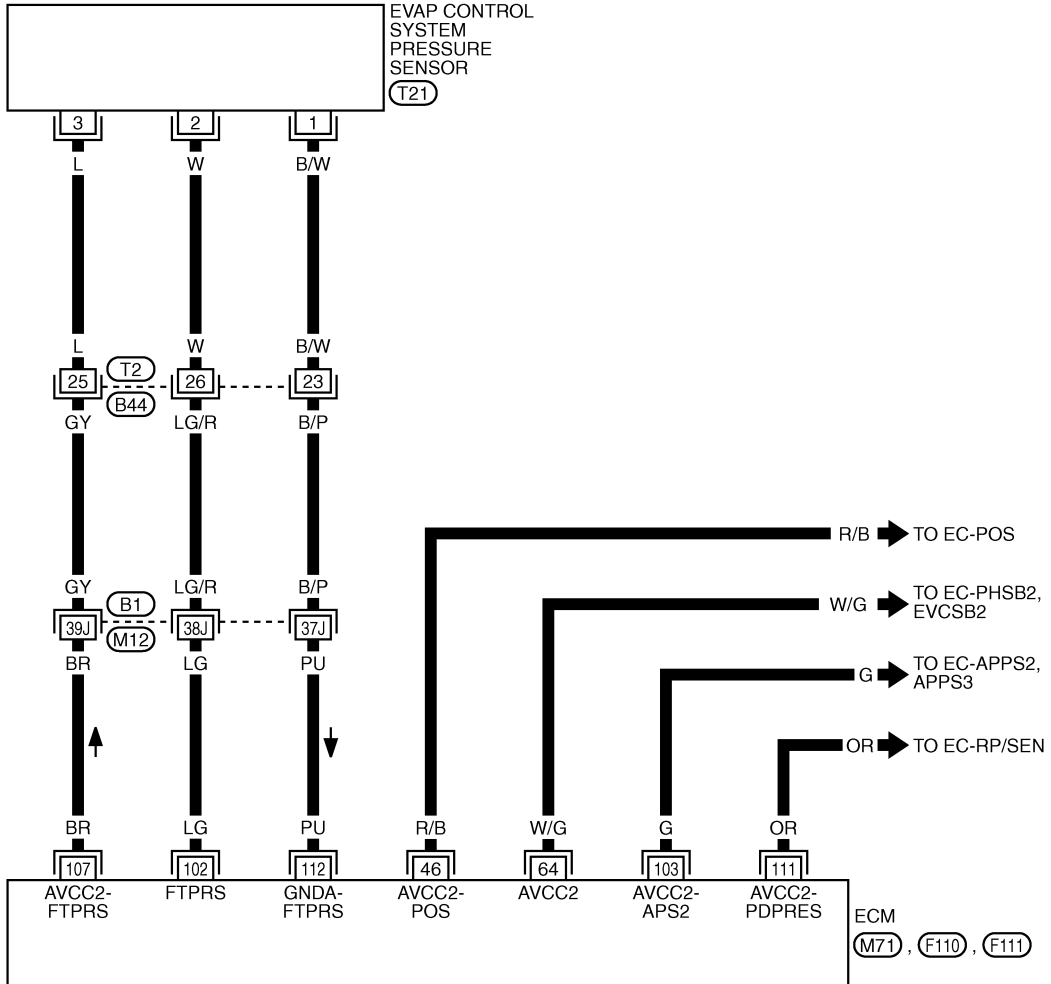
DTC P0452 EVAP CONTROL SYSTEM PRESSURE SENSOR

Wiring Diagram

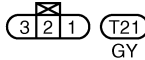
NBS0009L

EC-PRE/SE-01

: DETECTABLE LINE FOR DTC
 : NON-DETECTABLE LINE FOR DTC



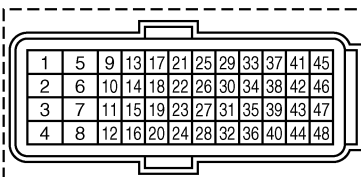
B44
W



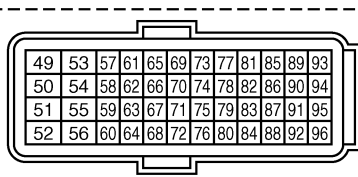
T21
GY

REFER TO THE FOLLOWING.

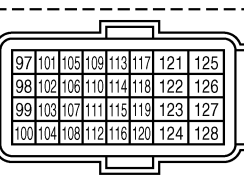
(B1) -SUPER MULTIPLE JUNCTION (SMJ)



F110
B



F111
BR



M71
GY



TBWT1650E

DTC P0452 EVAP CONTROL SYSTEM PRESSURE SENSOR

Specification data are reference values and are measured between each terminal and ground.

CAUTION:

Do not use ECM ground terminals when measuring input/output voltage. Doing so may result in damage to the ECM's transistor. Use a ground other than ECM terminals, such as the ground.

TER-MINAL NO.	WIRE COLOR	ITEM	CONDITION	DATA (DC Voltage)
46	R/B	Sensor power supply [Crankshaft position sensor (POS)]	[Ignition switch: ON]	5V
64	W/G	Sensor power supply [Camshaft position sensor (PHASE) (bank 2), Exhaust valve timing control position sensor (bank 2)]	[Ignition switch: ON]	5V
102	LG	EVAP control system pressure sensor	[Ignition switch: ON]	1.8 - 4.8V
103	G	Sensor power supply (Accelerator pedal position sensor 2)	[Ignition switch: ON]	5V
107	BR	Sensor power supply (EVAP control system pressure sensor)	[Ignition switch: ON]	5V
111	OR	Sensor power supply (Refrigerant pressure sensor)	[Ignition switch: ON]	5V
112	PU	Sensor ground (EVAP control system pressure sensor)	[Engine is running] ● Warm-up condition ● Idle speed	0V

A
EC
C
D
E
F
G
H
I
J
K
L
M

DTC P0452 EVAP CONTROL SYSTEM PRESSURE SENSOR

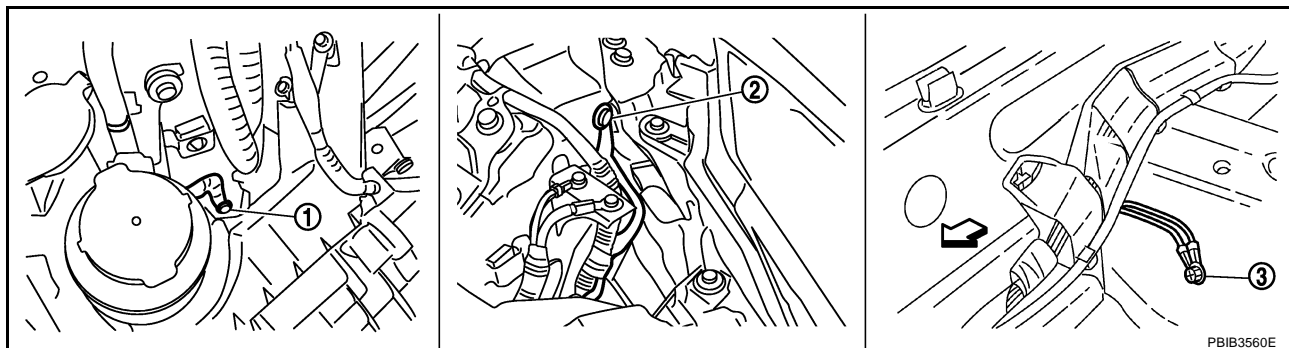
NBS0009M

Diagnostic Procedure

1. CHECK GROUND CONNECTIONS

Models with VDC system, navigation system or telephone

1. Turn ignition switch OFF.
2. Loosen and retighten ground screws on the body. Refer to [EC-150, "Ground Inspection"](#) .



1. Body ground E17

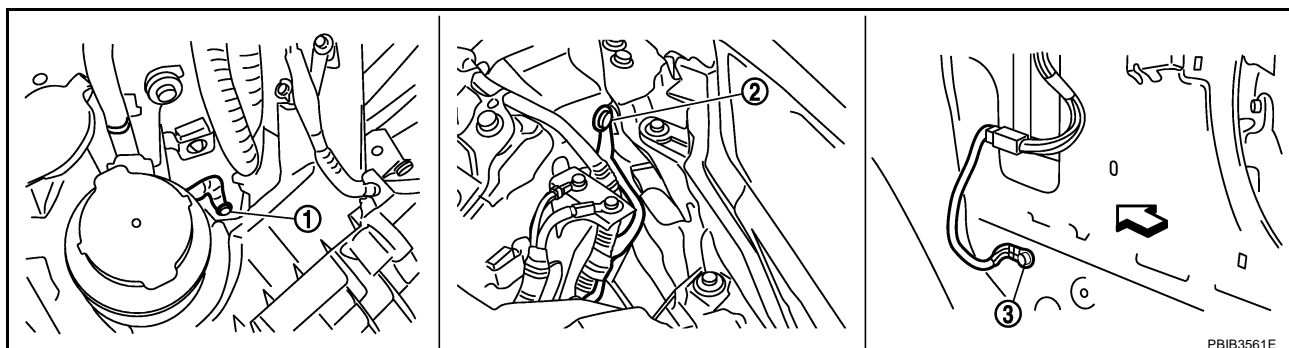
2. Body ground E43

3. Body ground B102

↔ Vehicle front

Models without VDC system, navigation system and telephone

1. Turn ignition switch OFF.
2. Loosen and retighten ground screws on the body. Refer to [EC-150, "Ground Inspection"](#) .



1. Body ground E17

2. Body ground E43

3. Body ground F152
(Passenger side view with dash side
finisher removed)

↔ Vehicle front

OK or NG

OK >> GO TO 2.

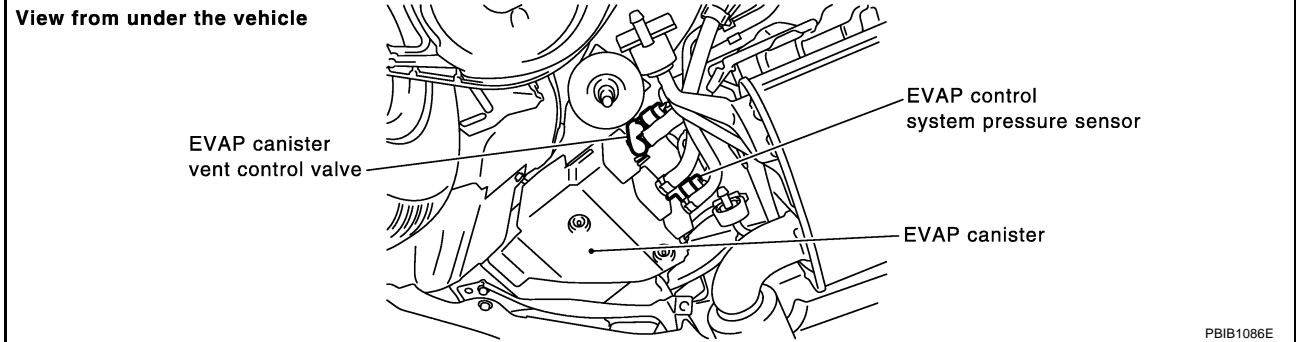
NG >> Repair or replace ground connections.

DTC P0452 EVAP CONTROL SYSTEM PRESSURE SENSOR

2. CHECK CONNECTOR

1. Disconnect EVAP control system pressure sensor harness connector.

View from under the vehicle



2. Check sensor harness connector for water.

Water should not exist.

OK or NG

- OK >> GO TO 3.
- NG >> Repair or replace harness connector.

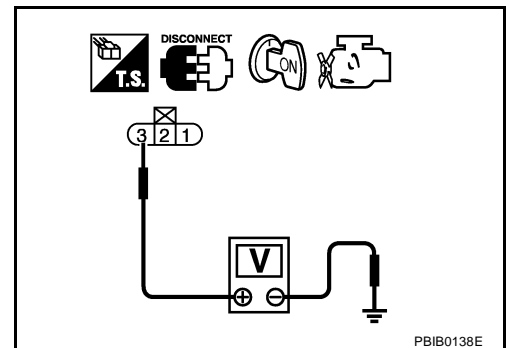
3. CHECK EVAP CONTROL SYSTEM PRESSURE SENSOR POWER SUPPLY CIRCUIT-I

1. Turn ignition switch ON.
2. Check voltage between EVAP control system pressure sensor terminal 3 and ground with CONSULT-III or tester.

Voltage: Approximately 5V

OK or NG

- OK >> GO TO 10.
- NG >> GO TO 4.



4. CHECK EVAP CONTROL SYSTEM PRESSURE SENSOR POWER SUPPLY CIRCUIT-II

1. Turn ignition switch OFF.
2. Disconnect ECM harness connector.
3. Check harness continuity between EVAP control system pressure sensor terminal 3 and ECM terminal 107. Refer to Wiring Diagram.

Continuity should exist.

OK or NG

- OK >> GO TO 6.
- NG >> GO TO 5.

5. DETECT MALFUNCTIONING PART

Check the following.

1. Harness connectors T2, B44
2. Harness connectors B1, M12
3. Harness for open between ECM and EVAP control system pressure sensor.

>> Repair open circuit.

DTC P0452 EVAP CONTROL SYSTEM PRESSURE SENSOR

6. CHECK EVAP CONTROL SYSTEM PRESSURE SENSOR POWER SUPPLY CIRCUIT-III

Check harness for short to power and short to ground, between the following terminals.

ECM terminal	Sensor terminal	Reference Wiring Diagram
46	CKP sensor (POS) terminal 1	EC-388
64	CMP sensor (PHASE) (bank 2) terminal 1	EC-399
	EVT control position sensor (bank 2) terminal 1	EC-532
103	APP sensor terminal 4	EC-643
107	EVAP control system pressure sensor terminal 3	EC-458
111	Refrigerant pressure sensor 1	EC-711

OK or NG

OK >> GO TO 7.

NG >> Repair short to ground or short to power in harness or connectors.

7. CHECK COMPONENTS

Check the following.

- Crankshaft position sensor (POS) (Refer to [EC-393, "Component Inspection"](#) .)
- Camshaft position sensor (PHASE) (bank 2) (Refer to [EC-405, "Component Inspection"](#) .)
- Exhaust valve timing control position sensor (bank 2) (Refer to [EC-539, "Component Inspection"](#) .)
- Refrigerant pressure sensor (Refer to [ATC-80, "COMPONENT INSPECTION"](#) .)

OK or NG

OK >> GO TO 8.

NG >> Replace malfunctioning component.

8. CHECK APP SENSOR

Refer to [EC-648, "Component Inspection"](#) .

OK or NG

OK >> GO TO 15.

NG >> GO TO 9.

9. REPLACE ACCELERATOR PEDAL ASSEMBLY

1. Replace accelerator pedal assembly.
2. Perform [EC-77, "Accelerator Pedal Released Position Learning"](#) .
3. Perform [EC-77, "Throttle Valve Closed Position Learning"](#) .
4. Perform [EC-77, "Idle Air Volume Learning"](#) .

>> **INSPECTION END**

DTC P0452 EVAP CONTROL SYSTEM PRESSURE SENSOR

10. CHECK EVAP CONTROL SYSTEM PRESSURE SENSOR GROUND CIRCUIT FOR OPEN AND SHORT

A

1. Turn ignition switch OFF.
2. Disconnect ECM harness connector.
3. Check harness continuity between EVAP control system pressure sensor terminal 1 and ECM terminal 112. Refer to Wiring Diagram.

EC

Continuity should exist.

C

4. Also check harness for short to ground and short to power.

OK or NG

- OK >> GO TO 12.
NG >> GO TO 11.

D

11. DETECT MALFUNCTIONING PART

E

Check the following.

- Harness connectors T2, B44
- Harness connectors B1, M12
- Harness for open or short between EVAP control system pressure sensor and ECM

F

>> Repair open circuit or short to ground or short to power in harness or connectors.

G

12. CHECK EVAP CONTROL SYSTEM PRESSURE SENSOR INPUT SIGNAL CIRCUIT FOR OPEN AND SHORT

H

1. Check harness continuity between ECM terminal 102 and EVAP control system pressure sensor terminal 2. Refer to Wiring Diagram.

Continuity should exist.

2. Also check harness for short to ground and short to power.

OK or NG

- OK >> GO TO 14.
NG >> GO TO 13.

J

K

13. DETECT MALFUNCTIONING PART

L

Check the following.

- Harness connectors T2, B44
- Harness connectors B1, M12
- Harness for open or short between EVAP control system pressure sensor and ECM

M

>> Repair open circuit or short to ground or short to power in harness or connectors.

14. CHECK EVAP CONTROL SYSTEM PRESSURE SENSOR

Refer to [EC-464, "Component Inspection"](#) .

OK or NG

- OK >> GO TO 15.
NG >> Replace EVAP control system pressure sensor.

15. CHECK INTERMITTENT INCIDENT

Refer to [EC-141, "TROUBLE DIAGNOSIS FOR INTERMITTENT INCIDENT"](#) .

>> **INSPECTION END**

DTC P0452 EVAP CONTROL SYSTEM PRESSURE SENSOR

NBS0009N

Component Inspection

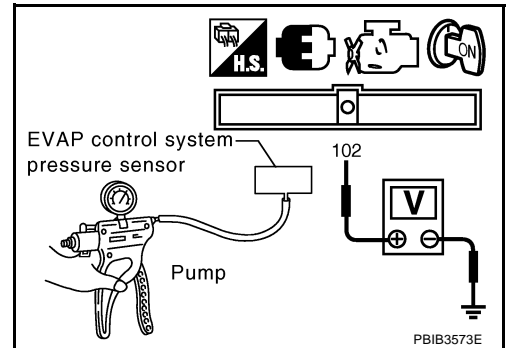
EVAP CONTROL SYSTEM PRESSURE SENSOR

1. Remove EVAP control system pressure sensor with its harness connector connected from EVAP canister.
Always replace O-ring with a new one.
2. Install a vacuum pump to EVAP control system pressure sensor.
3. Turn ignition switch ON and check output voltage between ECM terminal 102 and ground under the following conditions.

Applied vacuum kPa (mmHg, inHg)	Voltage V
Not applied	1.8 - 4.8
-26.7 (-200, -7.87)	2.1 to 2.5V lower than above value

CAUTION:

- Always calibrate the vacuum pump gauge when using it.
 - Do not apply below -93.3 kPa (-700 mmHg, -27.56 inHg) or pressure over 101.3 kPa (760 mmHg, 29.92 inHg).
4. If NG, replace EVAP control system pressure sensor.



DTC P0453 EVAP CONTROL SYSTEM PRESSURE SENSOR

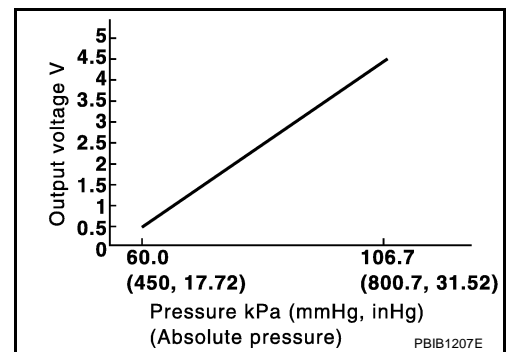
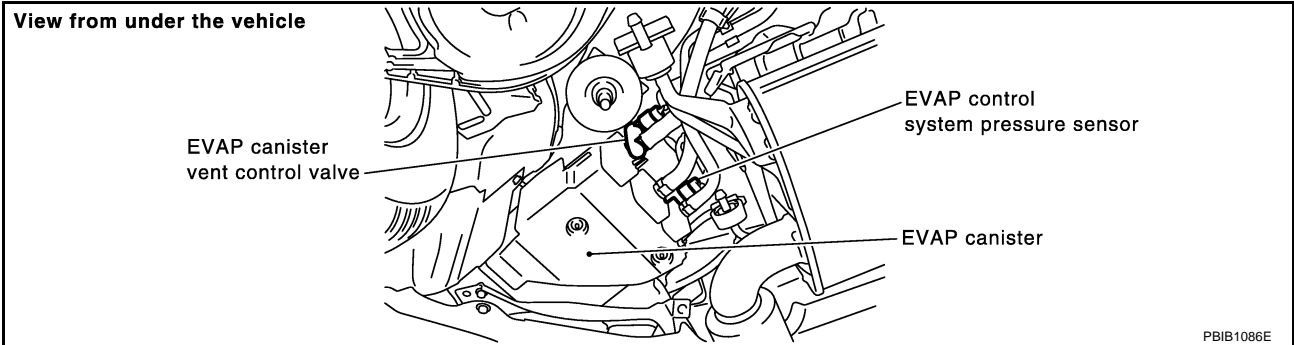
DTC P0453 EVAP CONTROL SYSTEM PRESSURE SENSOR

PFP:25085

Component Description

NBS00090

The EVAP control system pressure sensor detects pressure in the purge line. The sensor output voltage to the ECM increases as pressure increases.



CONSULT-III Reference Value in Data Monitor Mode

NBS0009P

Specification data are reference values.

MONITOR ITEM	CONDITION	SPECIFICATION
EVAP SYS PRES	● Ignition switch: ON	Approx. 1.8 - 4.8V

DTC P0453 EVAP CONTROL SYSTEM PRESSURE SENSOR

On Board Diagnosis Logic

NBS0009Q

DTC No.	Trouble diagnosis name	DTC detecting condition	Possible cause
P0453 0453	EVAP control system pressure sensor high input	An excessively high voltage from the sensor is sent to ECM.	<ul style="list-style-type: none"> ● Harness or connectors (EVAP control system pressure sensor circuit is shorted.) [CKP sensor (POS) circuit is shorted.] [CMP sensor (PHASE) (bank 2) circuit is shorted.] [EVT control position sensor (bank 2) circuit is shorted.] (APP sensor 2 circuit is shorted.) (Refrigerant pressure sensor circuit is shorted.) ● EVAP control system pressure sensor ● Crankshaft position sensor (POS) ● Camshaft position sensor (PHASE) (bank 2) ● Exhaust valve timing control position sensor (bank 2) ● Accelerator pedal position sensor ● Refrigerant pressure sensor ● EVAP canister vent control valve ● EVAP canister ● Rubber hose from EVAP canister vent control valve to vehicle frame

DTC Confirmation Procedure

NBS0009R

NOTE:

If DTC Confirmation Procedure has been previously conducted, always turn ignition switch OFF and wait at least 10 seconds before conducting the next test.

TESTING CONDITION:

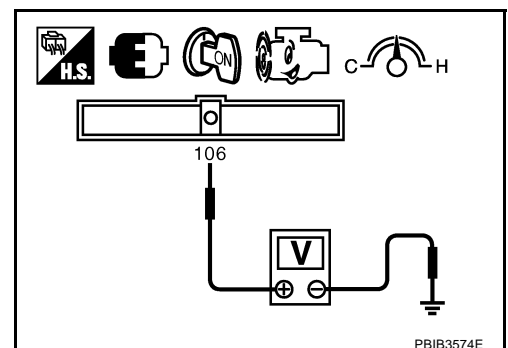
Always perform test at a temperature of 5°C (41°F) or more.

WITH CONSULT-III

1. Start engine and warm it up to normal operating temperature.
2. Turn ignition switch OFF and wait at least 10 seconds.
3. Turn ignition switch ON.
4. Select "DATA MONITOR" mode with CONSULT-III.
5. Make sure that "FUEL T/TEMP SE" is more than 0°C (32°F).
6. Start engine and wait at least 20 seconds.
7. Check 1st trip DTC.
8. If 1st trip DTC is detected, go to [EC-469, "Diagnostic Procedure"](#).

WITH GST

1. Start engine and warm it up to normal operating temperature.
2. Check that voltage between ECM terminal 106 (Fuel tank temperature sensor signal) and ground is less than 4.2V.
3. Turn ignition switch OFF and wait at least 10 seconds.
4. Start engine and wait at least 20 seconds.
5. Select Service \$07 with GST.
If 1st trip DTC is detected, go to [EC-469, "Diagnostic Procedure"](#).



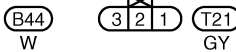
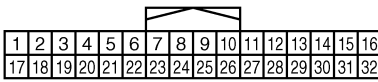
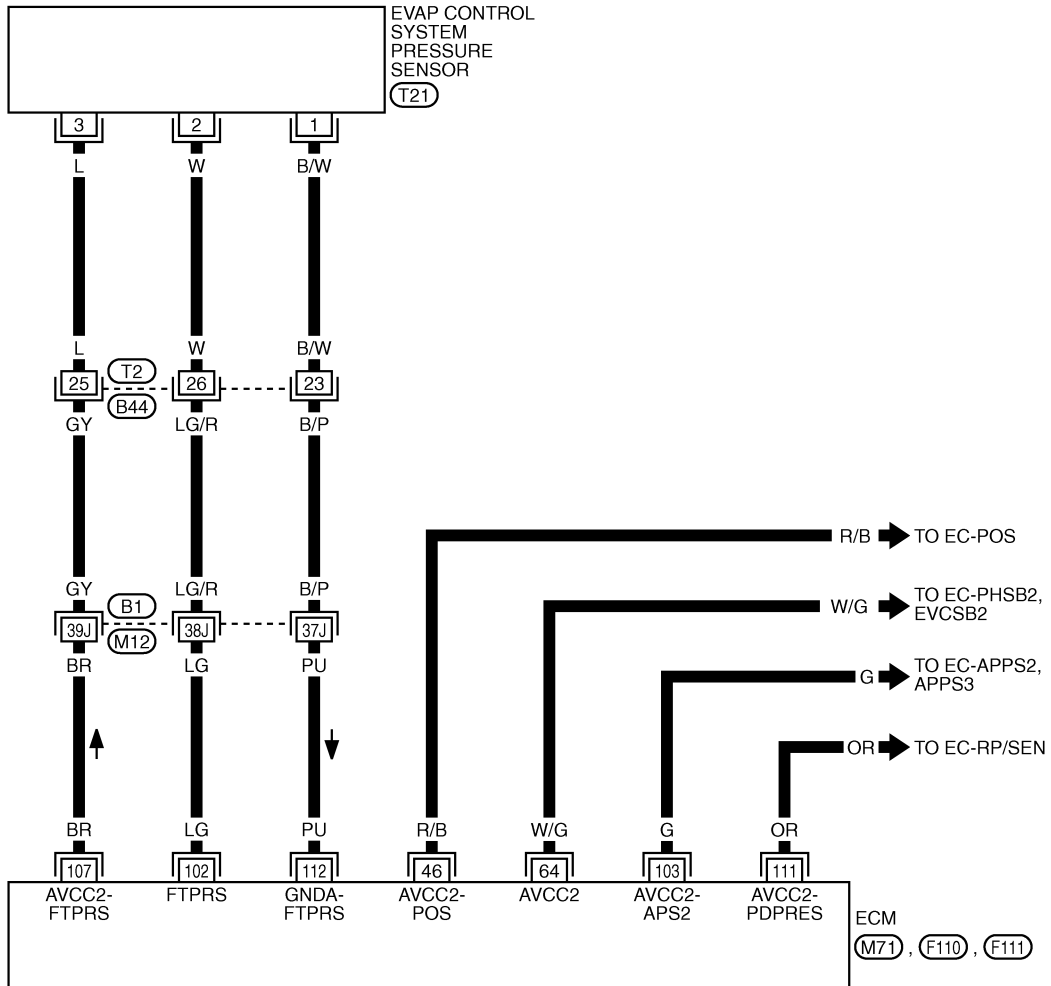
DTC P0453 EVAP CONTROL SYSTEM PRESSURE SENSOR

Wiring Diagram

NBS0009S

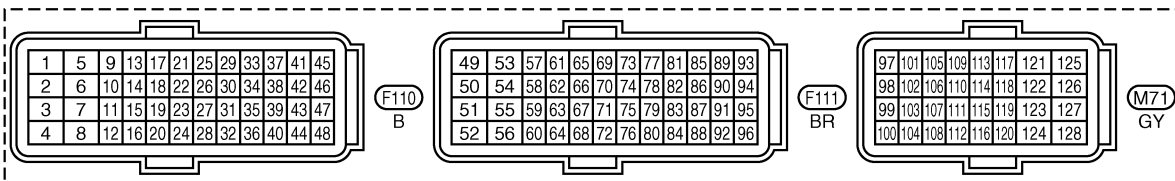
EC-PRE/SE-01

: DETECTABLE LINE FOR DTC
 : NON-DETECTABLE LINE FOR DTC



REFER TO THE FOLLOWING.

(B1) -SUPER MULTIPLE JUNCTION (SMJ)



TBWT1650E

DTC P0453 EVAP CONTROL SYSTEM PRESSURE SENSOR

Specification data are reference values and are measured between each terminal and ground.

CAUTION:

Do not use ECM ground terminals when measuring input/output voltage. Doing so may result in damage to the ECM's transistor. Use a ground other than ECM terminals, such as the ground.

TERMINAL NO.	WIRE COLOR	ITEM	CONDITION	DATA (DC Voltage)
46	R/B	Sensor power supply [Crankshaft position sensor (POS)]	[Ignition switch: ON]	5V
64	W/G	Sensor power supply [Camshaft position sensor (PHASE) (bank 2), Exhaust valve timing control position sensor (bank 2)]	[Ignition switch: ON]	5V
102	LG	EVAP control system pressure sensor	[Ignition switch: ON]	1.8 - 4.8V
103	G	Sensor power supply (Accelerator pedal position sensor 2)	[Ignition switch: ON]	5V
107	BR	Sensor power supply (EVAP control system pressure sensor)	[Ignition switch: ON]	5V
111	OR	Sensor power supply (Refrigerant pressure sensor)	[Ignition switch: ON]	5V
112	PU	Sensor ground (EVAP control system pressure sensor)	[Engine is running] ● Warm-up condition ● Idle speed	0V

DTC P0453 EVAP CONTROL SYSTEM PRESSURE SENSOR

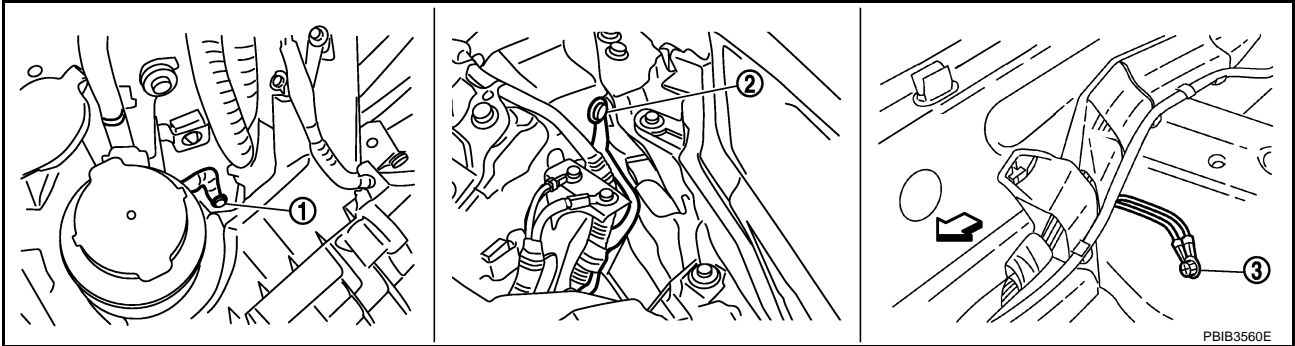
NBS0009T

Diagnostic Procedure

1. CHECK GROUND CONNECTIONS

Models with VDC system, navigation system or telephone

1. Turn ignition switch OFF.
2. Loosen and retighten ground screws on the body. Refer to [EC-150, "Ground Inspection"](#).



1. Body ground E17

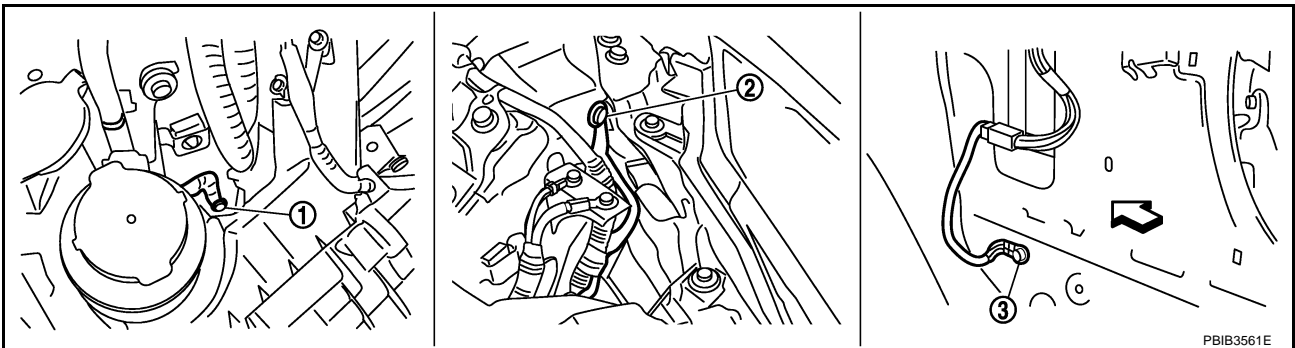
2. Body ground E43

3. Body ground B102

← Vehicle front

Models without VDC system, navigation system and telephone

1. Turn ignition switch OFF.
2. Loosen and retighten ground screws on the body. Refer to [EC-150, "Ground Inspection"](#).



1. Body ground E17

2. Body ground E43

3. Body ground F152
(Passenger side view with dash side
finisher removed)

← Vehicle front

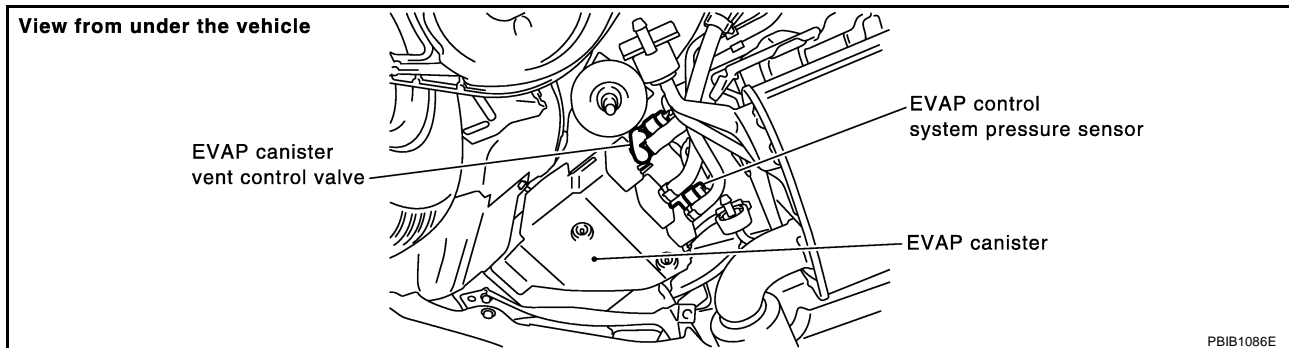
OK or NG

- OK >> GO TO 2.
NG >> Repair or replace ground connections.

DTC P0453 EVAP CONTROL SYSTEM PRESSURE SENSOR

2. CHECK CONNECTOR

1. Disconnect EVAP control system pressure sensor harness connector.



2. Check sensor harness connector for water.

Water should not exist.

OK or NG

- OK >> GO TO 3.
- NG >> Repair or replace harness connector.

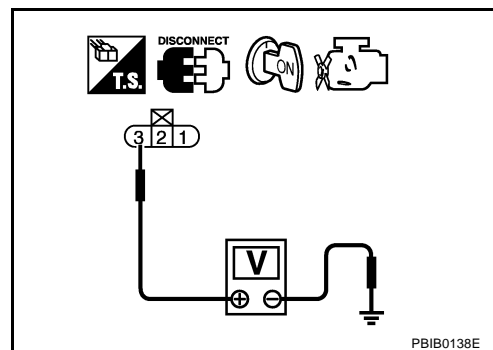
3. CHECK EVAP CONTROL SYSTEM PRESSURE SENSOR POWER SUPPLY CIRCUIT-I

1. Turn ignition switch ON.
2. Check voltage between EVAP control system pressure sensor terminal 3 and ground with CONSULT-III or tester.

Voltage: Approximately 5V

OK or NG

- OK >> GO TO 10.
- NG >> GO TO 4.



4. CHECK EVAP CONTROL SYSTEM PRESSURE SENSOR POWER SUPPLY CIRCUIT-II

1. Turn ignition switch OFF.
2. Disconnect ECM harness connector.
3. Check harness continuity between EVAP control system pressure sensor terminal 3 and ECM terminal 107. Refer to Wiring Diagram.

Continuity should exist.

OK or NG

- OK >> GO TO 6.
- NG >> GO TO 5.

5. DETECT MALFUNCTIONING PART

Check the following.

1. Harness connectors T2, B44
2. Harness connectors B1, M12
3. Harness for open between ECM and EVAP control system pressure sensor.

>> Repair open circuit.

DTC P0453 EVAP CONTROL SYSTEM PRESSURE SENSOR

6. CHECK EVAP CONTROL SYSTEM PRESSURE SENSOR POWER SUPPLY CIRCUIT-III

Check harness for short to power and short to ground, between the following terminals.

ECM terminal	Sensor terminal	Reference Wiring Diagram
46	CKP sensor (POS) terminal 1	EC-388
64	CMP sensor (PHASE) (bank 2) terminal 1	EC-399
	EVT control position sensor (bank 2) terminal 1	EC-532
103	APP sensor terminal 4	EC-643
107	EVAP control system pressure sensor terminal 3	EC-458
111	Refrigerant pressure sensor 1	EC-711

OK or NG

OK >> GO TO 7.

NG >> Repair short to ground or short to power in harness or connectors.

7. CHECK COMPONENTS

Check the following.

- Crankshaft position sensor (POS) (Refer to [EC-393, "Component Inspection"](#) .)
- Camshaft position sensor (PHASE) (bank 2) (Refer to [EC-405, "Component Inspection"](#) .)
- Exhaust valve timing control position sensor (bank 2) (Refer to [EC-539, "Component Inspection"](#) .)
- Refrigerant pressure sensor (Refer to [ATC-80, "COMPONENT INSPECTION"](#) .)

OK or NG

OK >> GO TO 8.

NG >> Replace malfunctioning component.

8. CHECK APP SENSOR

Refer to [EC-648, "Component Inspection"](#) .

OK or NG

OK >> GO TO 20.

NG >> GO TO 9.

9. REPLACE ACCELERATOR PEDAL ASSEMBLY

1. Replace accelerator pedal assembly.
2. Perform [EC-77, "Accelerator Pedal Released Position Learning"](#) .
3. Perform [EC-77, "Throttle Valve Closed Position Learning"](#) .
4. Perform [EC-77, "Idle Air Volume Learning"](#) .

>> INSPECTION END

DTC P0453 EVAP CONTROL SYSTEM PRESSURE SENSOR

10. CHECK EVAP CONTROL SYSTEM PRESSURE SENSOR GROUND CIRCUIT FOR OPEN AND SHORT

1. Turn ignition switch OFF.
2. Disconnect ECM harness connector.
3. Check harness continuity between EVAP control system pressure sensor terminal 1 and ECM terminal 112. Refer to Wiring Diagram.

Continuity should exist.

4. Also check harness for short to ground and short to power.

OK or NG

OK >> GO TO 12.

NG >> GO TO 11.

11. DETECT MALFUNCTIONING PART

Check the following.

- Harness connectors T2, B44
- Harness connectors B1, M12
- Harness for open or short between EVAP control system pressure sensor and ECM

>> Repair open circuit or short to ground or short to power in harness or connectors.

12. CHECK EVAP CONTROL SYSTEM PRESSURE SENSOR INPUT SIGNAL CIRCUIT FOR OPEN AND SHORT

1. Check harness continuity between ECM terminal 102 and EVAP control system pressure sensor terminal 2. Refer to Wiring Diagram.

Continuity should exist.

2. Also check harness for short to ground and short to power.

OK or NG

OK >> GO TO 14.

NG >> GO TO 13.

13. DETECT MALFUNCTIONING PART

Check the following.

- Harness connectors T2, B44
- Harness connectors B1, M12
- Harness for open or short between EVAP control system pressure sensor and ECM

>> Repair open circuit or short to ground or short to power in harness or connectors.

14. CHECK RUBBER TUBE

1. Disconnect rubber tube connected to EVAP canister vent control valve.
2. Check the rubber tube for clogging, vent and kinked.

OK or NG

OK >> GO TO 15.

NG >> Clean the rubber tube using an air blower.

DTC P0453 EVAP CONTROL SYSTEM PRESSURE SENSOR

15. CHECK EVAP CANISTER VENT CONTROL VALVE

Refer to [EC-442, "Component Inspection"](#) .

OK or NG

OK >> GO TO 16.

NG >> Replace EVAP canister vent control valve.

16. CHECK EVAP CONTROL SYSTEM PRESSURE SENSOR

Refer to [EC-474, "Component Inspection"](#) .

OK or NG

OK >> GO TO 17.

NG >> Replace EVAP control system pressure sensor.

17. CHECK IF EVAP CANISTER SATURATED WITH WATER

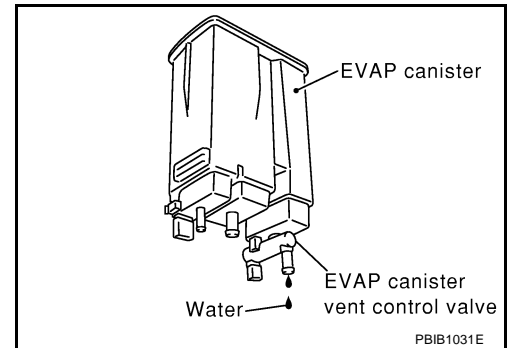
1. Remove EVAP canister with EVAP canister vent control valve and EVAP control system pressure sensor attached.

2. Does water drain from the EVAP canister?

Yes or No

Yes >> GO TO 18.

No >> GO TO 20.



18. CHECK EVAP CANISTER

Weigh the EVAP canister with the EVAP canister vent control valve and EVAP control system pressure sensor attached.

The weight should be less than 2.2 kg (4.9 lb).

OK or NG

OK >> GO TO 20.

NG >> GO TO 19.

19. DETECT MALFUNCTIONING PART

Check the following.

- EVAP canister for damage
- EVAP hose between EVAP canister and vehicle frame for clogging or poor connection

>> Repair hose or replace EVAP canister.

20. CHECK INTERMITTENT INCIDENT

Refer to [EC-141, "TROUBLE DIAGNOSIS FOR INTERMITTENT INCIDENT"](#) .

>> INSPECTION END

DTC P0453 EVAP CONTROL SYSTEM PRESSURE SENSOR

NBS0009U

Component Inspection

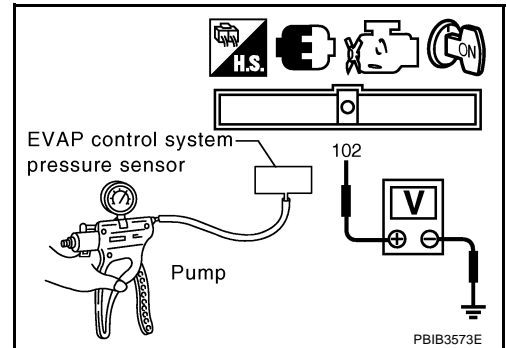
EVAP CONTROL SYSTEM PRESSURE SENSOR

1. Remove EVAP control system pressure sensor with its harness connector connected from EVAP canister.
Always replace O-ring with a new one.
2. Install a vacuum pump to EVAP control system pressure sensor.
3. Turn ignition switch ON and check output voltage between ECM terminal 102 and ground under the following conditions.

Applied vacuum kPa (mmHg, inHg)	Voltage V
Not applied	1.8 - 4.8
-26.7 (-200, -7.87)	2.1 to 2.5V lower than above value

CAUTION:

- Always calibrate the vacuum pump gauge when using it.
 - Do not apply below -93.3 kPa (-700 mmHg, -27.56 inHg) or pressure over 101.3 kPa (760 mmHg, 29.92 inHg).
4. If NG, replace EVAP control system pressure sensor.



DTC P0455 EVAP CONTROL SYSTEM

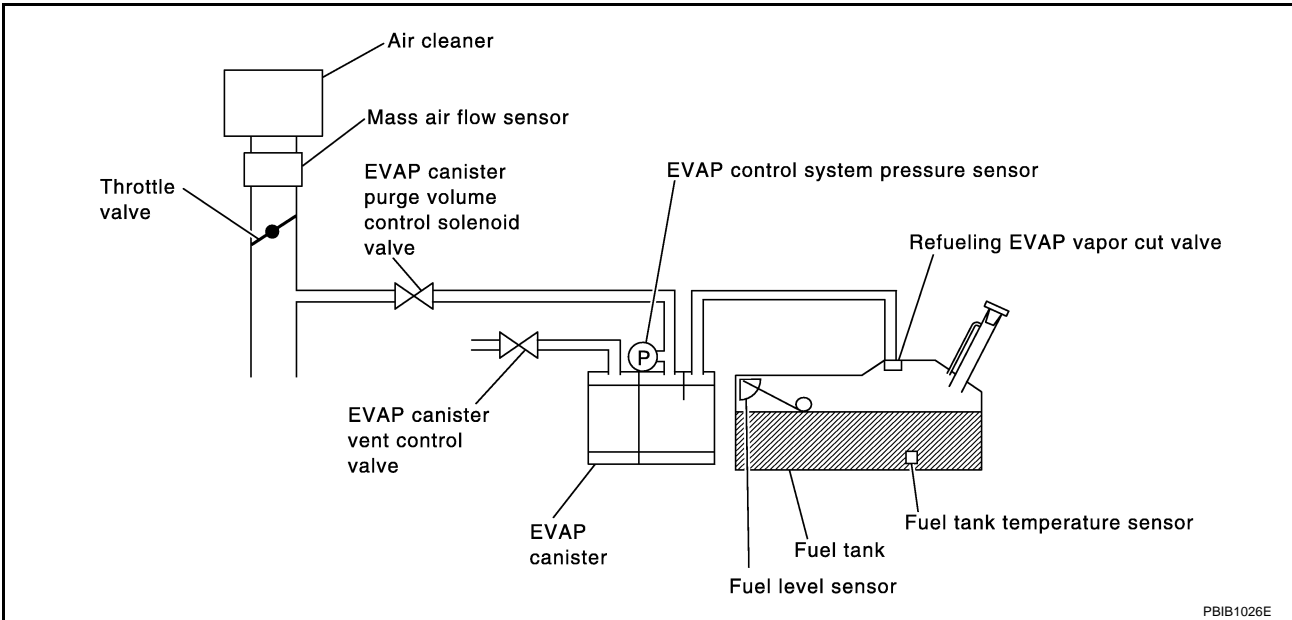
PF14950

DTC P0455 EVAP CONTROL SYSTEM

On Board Diagnosis Logic

NBS009V

This diagnosis detects a very large leak (fuel filler cap fell off etc.) in EVAP system between the fuel tank and EVAP canister purge volume control solenoid valve.



DTC No.	Trouble diagnosis name	DTC detecting condition	Possible cause
P0455 0455	EVAP control system gross leak detected	EVAP control system has a very large leak such as fuel filler cap fell off, EVAP control system does not operate properly.	<ul style="list-style-type: none"> ● Fuel filler cap remains open or fails to close. ● Incorrect fuel tank vacuum relief valve ● Incorrect fuel filler cap used ● Foreign matter caught in fuel filler cap. ● Leak is in line between intake manifold and EVAP canister purge volume control solenoid valve. ● Foreign matter caught in EVAP canister vent control valve. ● EVAP canister or fuel tank leaks ● EVAP purge line (pipe and rubber tube) leaks ● EVAP purge line rubber tube bent. ● Loose or disconnected rubber tube ● EVAP canister vent control valve and the circuit ● EVAP canister purge volume control solenoid valve and the circuit ● Fuel tank temperature sensor ● O-ring of EVAP canister vent control valve is missing or damaged. ● EVAP control system pressure sensor ● Refueling EVAP vapor cut valve ● ORVR system leaks

CAUTION:

- Use only a genuine NISSAN fuel filler cap as a replacement. If an incorrect fuel filler cap is used, the MIL may come on.
- If the fuel filler cap is not tightened properly, the MIL may come on.

DTC P0455 EVAP CONTROL SYSTEM

- Use only a genuine NISSAN rubber tube as a replacement.

DTC Confirmation Procedure

NBS0009W

CAUTION:

Never remove fuel filler cap during the DTC Confirmation Procedure.

NOTE:

- Make sure that EVAP hoses are connected to EVAP canister purge volume control solenoid valve properly.
- If DTC Confirmation Procedure has been previously conducted, always turn ignition switch OFF and wait at least 10 seconds before conducting the next test.

TESTING CONDITION:

- Perform "DTC WORK SUPPORT" when the fuel level is between 1/4 and 3/4 full, and vehicle is placed on flat level surface.
- Open engine hood before conducting the following procedures.

WITH CONSULT-III

1. Tighten fuel filler cap securely until ratcheting sound is heard.
2. Turn ignition switch ON.
3. Turn ignition switch OFF and wait at least 10 seconds.
4. Turn ignition switch ON and select "DATA MONITOR" mode with CONSULT-III.
5. Make sure that the following conditions are met.
COOLAN TEMP/S: 0 - 70°C (32 - 158°F)
INT/A TEMP SE: 0 - 60°C (32 - 140°F)
6. Select "EVAP SML LEAK P0442/P1442" of "EVAPORATIVE SYSTEM" in "DTC WORK SUPPORT" mode with CONSULT-III.
Follow the instruction displayed.

NOTE:

If the engine speed cannot be maintained within the range displayed on the CONSULT-III screen, go to [EC-71, "Basic Inspection"](#).

7. Make sure that "OK" is displayed.
If "NG" is displayed, select "SELF-DIAG RESULTS" mode and make sure that "EVAP GROSS LEAK [P0455]" is displayed. If it is displayed, refer to [EC-477, "Diagnostic Procedure"](#).
If P0442 is displayed, perform [EC-418, "Diagnostic Procedure"](#) for DTC P0442.

WITH GST

NOTE:

Be sure to read the explanation of [EC-58, "Driving Pattern"](#) before driving vehicle.

1. Start engine.
2. Drive vehicle according to [EC-58, "Driving Pattern"](#).
3. Stop vehicle.
4. Turn ignition switch OFF and wait at least 10 seconds.
5. Select Service \$07 with GST.
 - If P0441 is displayed on the screen, go to [EC-413, "Diagnostic Procedure"](#), for DTC P0441.
 - If P0442 is displayed on the screen, go to [EC-418, "Diagnostic Procedure"](#), for DTC P0442.
 - If P0455 is displayed on the screen, go to [EC-477, "Diagnostic Procedure"](#).

DTC P0455 EVAP CONTROL SYSTEM

Diagnostic Procedure

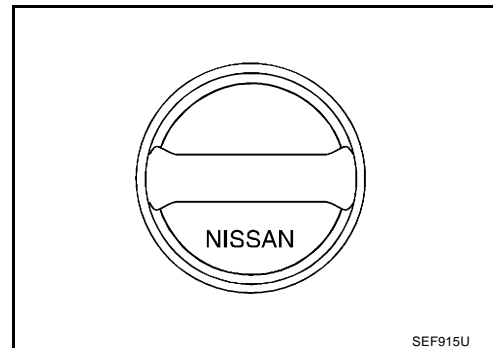
NBS0009X

1. CHECK FUEL FILLER CAP DESIGN

1. Turn ignition switch OFF.
2. Check for genuine NISSAN fuel filler cap design.

OK or NG

- OK >> GO TO 2.
NG >> Replace with genuine NISSAN fuel filler cap.



2. CHECK FUEL FILLER CAP INSTALLATION

Check that the cap is tightened properly by rotating the cap clockwise.

OK or NG

- OK >> GO TO 3.
NG >> 1. Open fuel filler cap, then clean cap and fuel filler neck threads using air blower.
2. Retighten until ratcheting sound is heard.

3. CHECK FUEL FILLER CAP FUNCTION

Check for air releasing sound while opening the fuel filler cap.

OK or NG

- OK >> GO TO 5.
NG >> GO TO 4.

4. CHECK FUEL TANK VACUUM RELIEF VALVE

Refer to [EC-36. "FUEL TANK VACUUM RELIEF VALVE \(BUILT INTO FUEL FILLER CAP\)"](#) .

OK or NG

- OK >> GO TO 5.
NG >> Replace fuel filler cap with a genuine one.

5. CHECK EVAP PURGE LINE

Check EVAP purge line (pipe, rubber tube, fuel tank and EVAP canister) for cracks, improper connection or disconnection.

Refer to [EC-34. "EVAPORATIVE EMISSION LINE DRAWING"](#) .

OK or NG

- OK >> GO TO 6.
NG >> Repair or reconnect the hose.

6. CLEAN EVAP PURGE LINE

Clean EVAP purge line (pipe and rubber tube) using air blower.

>> GO TO 7.

DTC P0455 EVAP CONTROL SYSTEM

7. CHECK EVAP CANISTER VENT CONTROL VALVE

Check the following.

- EVAP canister vent control valve is installed properly.
Refer to [EC-37, "Removal and Installation"](#) .
- EVAP canister vent control valve.
Refer to [EC-442, "Component Inspection"](#) .

OK or NG

OK >> GO TO 8.

NG >> Repair or replace EVAP canister vent control valve and O-ring.

8. INSTALL THE PRESSURE PUMP

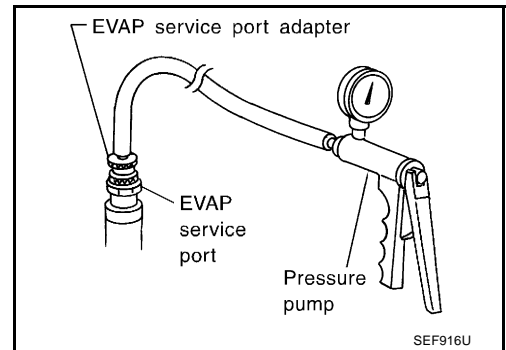
To locate the EVAP leak, install EVAP service port adapter and pressure pump to EVAP service port securely. For the location of EVAP service port, refer to [EC-34, "EVAPORATIVE EMISSION LINE DRAWING"](#) .

NOTE:

Improper installation of the EVAP service port adapter to the EVAP service port may cause leaking.

With CONSULT-III>>GO TO 9.

Without CONSULT-III>>GO TO 10.



9. CHECK FOR EVAP LEAK

With CONSULT-III

1. Turn ignition switch ON.
2. Select "EVAP SYSTEM CLOSE" of "WORK SUPPORT" mode with CONSULT-III.
3. Touch "START" and apply pressure into the EVAP line until the pressure indicator reaches the middle of the bar graph.

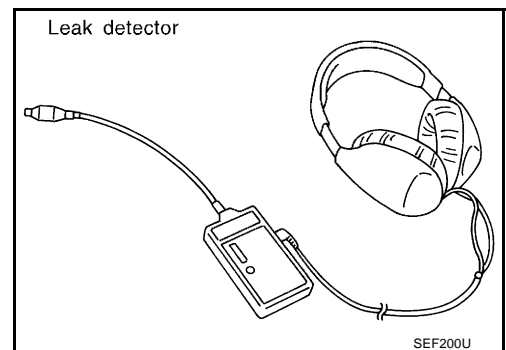
CAUTION:

- **Never use compressed air or a high pressure pump.**
 - **Do not exceed 4.12 kPa (0.042 kg/cm² , 0.6 psi) of pressure in the system.**
4. Using EVAP leak detector, locate the EVAP leak. For the leak detector, refer to the instruction manual for more details.
Refer to [EC-34, "EVAPORATIVE EMISSION LINE DRAWING"](#) .

OK or NG

OK >> GO TO 11.

NG >> Repair or replace.

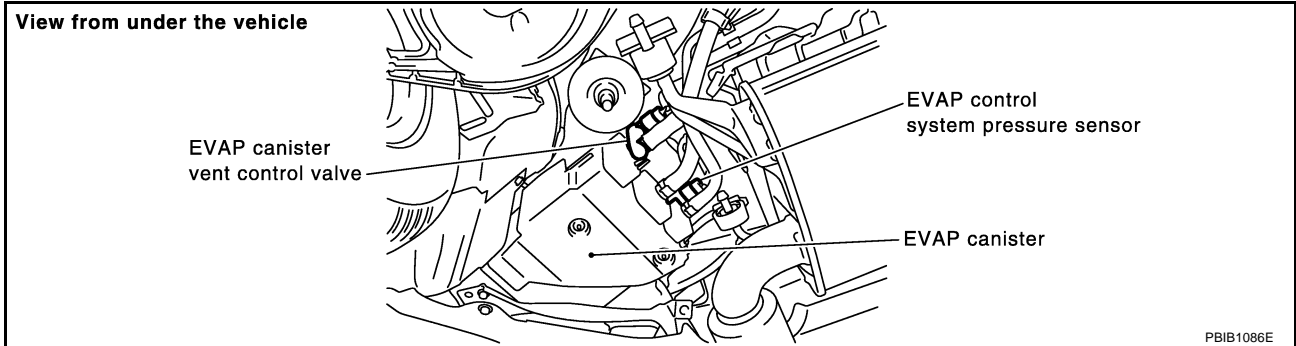


DTC P0455 EVAP CONTROL SYSTEM

10. CHECK FOR EVAP LEAK

⊗ Without CONSULT-III

1. Turn ignition switch OFF.
2. Apply 12 volts DC to EVAP canister vent control valve. The valve will close. (Continue to apply 12 volts until the end of test.)



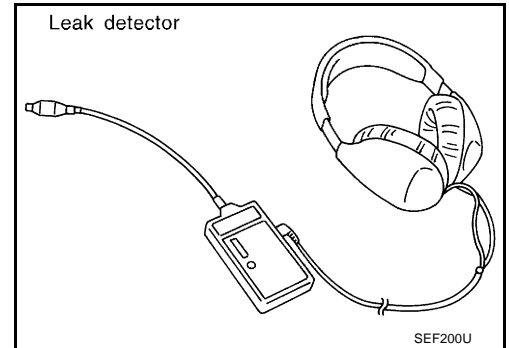
3. Pressurize the EVAP line using pressure pump with 1.3 to 2.7 kPa (10 to 20 mmHg, 0.39 to 0.79 inHg), then remove pump and EVAP service port adapter.

CAUTION:

- Never use compressed air or a high pressure pump.
 - Do not exceed 4.12 kPa (0.042 kg/cm², 0.6 psi) of pressure in the system.
4. Using EVAP leak detector, locate the EVAP leak. For the leak detector, refer to the instruction manual for more details. Refer to [EC-34, "EVAPORATIVE EMISSION LINE DRAWING"](#).

OK or NG

- OK >> GO TO 12.
NG >> Repair or replace.



11. CHECK EVAP CANISTER PURGE VOLUME CONTROL SOLENOID VALVE OPERATION

Ⓟ With CONSULT-III

1. Disconnect vacuum hose to EVAP canister purge volume control solenoid valve at EVAP service port.
2. Start engine.
3. Perform "PURG VOL CONT/V" in "ACTIVE TEST" mode.
4. Touch "Qu" on CONSULT-III screen to increase "PURG VOL CONT/V" opening to 100%.
5. Check vacuum hose for vacuum when revving engine up to 2,000 rpm.

Vacuum should exist.

OK or NG

- OK >> GO TO 14.
NG >> GO TO 13.

DTC P0455 EVAP CONTROL SYSTEM

12. CHECK EVAP CANISTER PURGE VOLUME CONTROL SOLENOID VALVE OPERATION

⊗ Without CONSULT-III

1. Start engine and warm it up to normal operating temperature.
2. Stop engine.
3. Disconnect vacuum hose to EVAP canister purge volume control solenoid valve at EVAP service port.
4. Start engine and let it idle for at least 80 seconds.
5. Check vacuum hose for vacuum when revving engine up to 2,000 rpm.

Vacuum should exist.

OK or NG

- OK >> GO TO 15.
NG >> GO TO 13.

13. CHECK VACUUM HOSE

Check vacuum hoses for clogging or disconnection. Refer to [EC-100, "Vacuum Hose Drawing"](#) .

OK or NG

- OK (With CONSULT-III)>>GO TO 14.
OK (Without CONSULT-III)>>GO TO 15.
NG >> Repair or reconnect the hose.

14. CHECK EVAP CANISTER PURGE VOLUME CONTROL SOLENOID VALVE

Ⓜ With CONSULT-III

1. Start engine.
2. Perform "PURG VOL CONT/V" in "ACTIVE TEST" mode with CONSULT-III. Check that engine speed varies according to the valve opening.

OK or NG

- OK >> GO TO 16.
NG >> GO TO 15.

15. CHECK EVAP CANISTER PURGE VOLUME CONTROL SOLENOID VALVE

Refer to [EC-436, "Component Inspection"](#) .

OK or NG

- OK >> GO TO 16.
NG >> Replace EVAP canister purge volume control solenoid valve.

16. CHECK FUEL TANK TEMPERATURE SENSOR

Refer to [EC-347, "Component Inspection"](#) .

OK or NG

- OK >> GO TO 17.
NG >> Replace fuel level sensor unit.

17. CHECK EVAP CONTROL SYSTEM PRESSURE SENSOR

Refer to [EC-464, "Component Inspection"](#) .

OK or NG

- OK >> GO TO 18.
NG >> Replace EVAP control system pressure sensor.

DTC P0455 EVAP CONTROL SYSTEM

18. CHECK EVAP/ORVR LINE

Check EVAP/ORVR line between EVAP canister and fuel tank for clogging, kink, looseness and improper connection. For location, refer to [EC-39, "ON BOARD REFUELING VAPOR RECOVERY \(ORVR\)"](#) .

OK or NG

OK >> GO TO 19.

NG >> Repair or replace hoses and tubes.

19. CHECK RECIRCULATION LINE

Check recirculation line between filler neck tube and fuel tank for clogging, kink, cracks, looseness and improper connection.

OK or NG

OK >> GO TO 20.

NG >> Repair or replace hose, tube or filler neck tube.

20. CHECK REFUELING EVAP VAPOR CUT VALVE

Refer to [EC-42, "REFUELING EVAP VAPOR CUT VALVE"](#) .

OK or NG

OK >> GO TO 21.

NG >> Replace refueling EVAP vapor cut valve with fuel tank.

21. CHECK INTERMITTENT INCIDENT

Refer to [EC-141, "TROUBLE DIAGNOSIS FOR INTERMITTENT INCIDENT"](#) .

>> **INSPECTION END**

A

EC

C

D

E

F

G

H

I

J

K

L

M

DTC P0456 EVAP CONTROL SYSTEM

DTC P0456 EVAP CONTROL SYSTEM

PFP:14950

On Board Diagnosis Logic

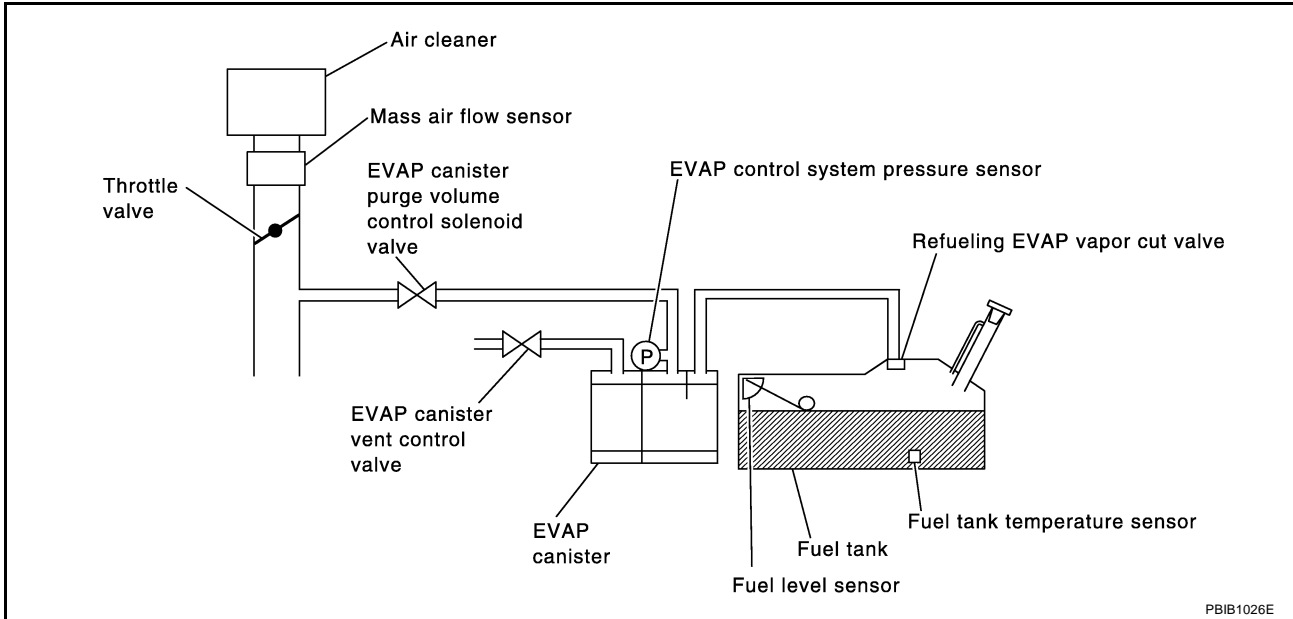
NBS0009Y

This diagnosis detects very small leaks in the EVAP line between fuel tank and EVAP canister purge volume control solenoid valve, using the intake manifold vacuum in the same way as conventional EVAP small leak diagnosis.

If ECM judges a leak which corresponds to a very small leak, the very small leak P0456 will be detected.

If ECM judges a leak equivalent to a small leak, EVAP small leak P0442 will be detected.

If ECM judges there are no leaks, the diagnosis will be OK.



DTC No.	Trouble diagnosis name	DTC detecting condition	Possible cause
P0456 0456	Evaporative emission control system very small leak (negative pressure check)	<ul style="list-style-type: none"> ● EVAP system has a very small leak. ● EVAP system does not operate properly. 	<ul style="list-style-type: none"> ● Incorrect fuel tank vacuum relief valve ● Incorrect fuel filler cap used ● Fuel filler cap remains open or fails to close. ● Foreign matter caught in fuel filler cap. ● Leak is in line between intake manifold and EVAP canister purge volume control solenoid valve. ● Foreign matter caught in EVAP canister vent control valve. ● EVAP canister or fuel tank leaks ● EVAP purge line (pipe and rubber tube) leaks ● EVAP purge line rubber tube bent ● Loose or disconnected rubber tube ● EVAP canister vent control valve and the circuit ● EVAP canister purge volume control solenoid valve and the circuit ● Fuel tank temperature sensor ● O-ring of EVAP canister vent control valve is missing or damaged ● EVAP canister is saturated with water ● EVAP control system pressure sensor ● Refueling EVAP vapor cut valve ● ORVR system leaks ● Fuel level sensor and the circuit ● Foreign matter caught in EVAP canister purge volume control solenoid valve

DTC P0456 EVAP CONTROL SYSTEM

CAUTION:

- Use only a genuine NISSAN fuel filler cap as a replacement. If an incorrect fuel filler cap is used, the MIL may come on.
- If the fuel filler cap is not tightened properly, the MIL may come on.
- Use only a genuine NISSAN rubber tube as a replacement.

DTC Confirmation Procedure

NBS0009Z

NOTE:

- If DTC P0456 is displayed with P0442, first perform trouble diagnosis for DTC P0456.
- After repair, make sure that the hoses and clips are installed properly.
- If DTC Confirmation Procedure has been previously conducted, always turn ignition switch OFF and wait at least 10 seconds before conducting the next test.

TESTING CONDITION:

- Open engine hood before conducting following procedure.
- If any of following conditions are met just before the DTC confirmation procedure, leave the vehicle for more than 1 hour.
 - Fuel filler cap is removed.
 - Refilled or drained the fuel.
 - EVAP component parts is/are removed.
- Before performing the following procedure, confirm that battery voltage is more than 11V at idle.

Ⓟ WITH CONSULT-III

1. Turn ignition switch ON and select "DATA MONITOR" mode with CONSULT-III.
2. Make sure the following conditions are met.
 - FUEL LEVEL SE: 0.25 - 1.4V**
 - COOLAN TEMP/S: 0 - 32°C (32 - 90°F)**
 - FUEL T/TMP SE: 0 - 35°C (32 - 95°F)**
 - INT/A TEMP SE: More than 0°C (32°F)**If NG, turn ignition switch OFF and leave the vehicle in a cool place (soak the vehicle) or refilling/draining fuel until the output voltage condition of the "FUEL LEVEL SE" meets within the range above and leave the vehicle for more than 1 hour. Then start from step 1).
3. Turn ignition switch OFF and wait at least 10 seconds.
4. Turn ignition switch ON.
5. Select "EVAP V/S LEAK P0456/P1456" of "EVAPORATIVE SYSTEM" in "DTC WORK SUPPORT" mode with CONSULT-III.
Follow the instruction displayed.
6. Make sure that "OK" is displayed.
If "NG" is displayed, refer to [EC-484, "Diagnostic Procedure"](#).

NOTE:

- If the engine speed cannot be maintained within the range displayed on CONSULT-III screen, go to [EC-71, "Basic Inspection"](#).
- Make sure that EVAP hoses are connected to EVAP canister purge volume control solenoid valve properly.

Overall Function Check

NBS000A0

Ⓟ WITH GST

Use this procedure to check the overall function of the EVAP very small leak function. During this check, a 1st trip DTC might not be confirmed.

CAUTION:

- Never use compressed air, doing so may damage the EVAP system.
 - Do not start engine.
 - Do not exceeded 4.12 kPa (0.042 kg/cm², 0.6 psi).
1. Attach the EVAP service port adapter securely to the EVAP service port. For the location of EVAP service port, refer to [EC-34, "EVAPORATIVE EMISSION LINE DRAWING"](#).

DTC P0456 EVAP CONTROL SYSTEM

2. Set the pressure pump and a hose.
3. Also set a vacuum gauge via 3-way connector and a hose.
4. Turn ignition switch ON.
5. Connect GST and select Service \$08.
6. Using Service \$08 control the EVAP canister vent control valve (close).
7. Apply pressure and make sure the following conditions are satisfied.

Pressure to be applied: 2.7 kPa (20 mmHg, 0.79 inHg)

Time to be waited after the pressure drawn in to the EVAP system and the pressure to be dropped: 60 seconds and the pressure should not be dropped more than 0.4 kPa (3 mmHg, 0.12 inHg).

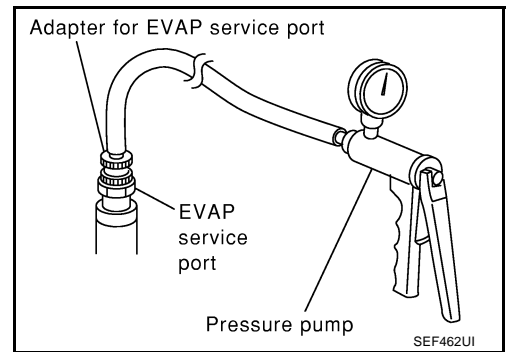
If NG, go to [EC-484, "Diagnostic Procedure"](#).

If OK, go to next step.

8. Disconnect GST.
9. Start engine and warm it up to normal operating temperature.
10. Turn ignition switch OFF and wait at least 10 seconds.
11. Restart engine and let it idle for 90 seconds.
12. Keep engine speed at 2,000 rpm for 30 seconds.
13. Turn ignition switch OFF.

NOTE:

For more information, refer to GST Instruction Manual.



Diagnostic Procedure

NBS000A1

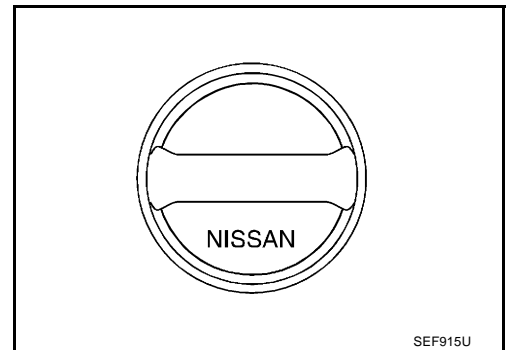
1. CHECK FUEL FILLER CAP DESIGN

1. Turn ignition switch OFF.
2. Check for genuine NISSAN fuel filler cap design.

OK or NG

OK >> GO TO 2.

NG >> Replace with genuine NISSAN fuel filler cap.



2. CHECK FUEL FILLER CAP INSTALLATION

Check that the cap is tightened properly by rotating the cap clockwise.

OK or NG

OK >> GO TO 3.

NG >> 1. Open fuel filler cap, then clean cap and fuel filler neck threads using air blower.

2. Retighten until ratcheting sound is heard.

3. CHECK FUEL FILLER CAP FUNCTION

Check for air releasing sound while opening the fuel filler cap.

OK or NG

OK >> GO TO 5.

NG >> GO TO 4.

DTC P0456 EVAP CONTROL SYSTEM

4. CHECK FUEL TANK VACUUM RELIEF VALVE

Refer to [EC-36, "FUEL TANK VACUUM RELIEF VALVE \(BUILT INTO FUEL FILLER CAP\)"](#) .

OK or NG

- OK >> GO TO 5.
- NG >> Replace fuel filler cap with a genuine one.

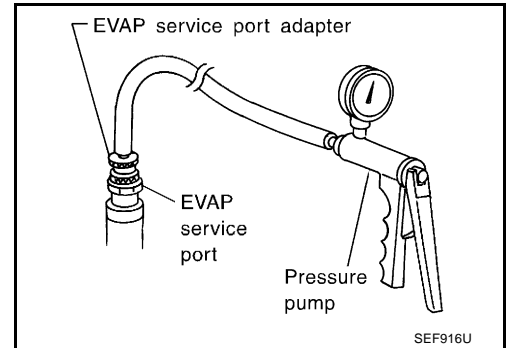
5. INSTALL THE PRESSURE PUMP

To locate the EVAP leak, install EVAP service port adapter and pressure pump to EVAP service port securely. For the location of EVAP service port, refer to [EC-34, "EVAPORATIVE EMISSION LINE DRAWING"](#) .

NOTE:

Improper installation of the EVAP service port adapter to the EVAP service port may cause leaking.

- With CONSULT-III>>GO TO 6.
- Without CONSULT-III>>GO TO 7.



6. CHECK FOR EVAP LEAK

Ⓟ With CONSULT-III

1. Turn ignition switch ON.
2. Select "EVAP SYSTEM CLOSE" of "WORK SUPPORT" mode with CONSULT-III.
3. Touch "START" and apply pressure into the EVAP line until the pressure indicator reaches the middle of the bar graph.

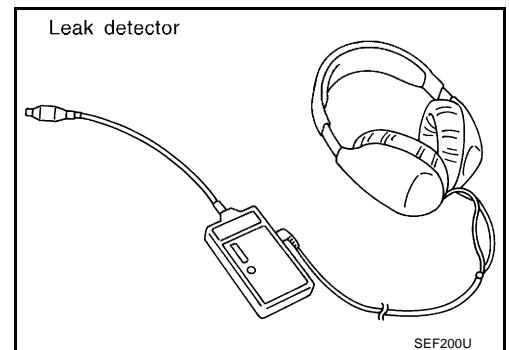
CAUTION:

- Never use compressed air or a high pressure pump.
- Do not exceed 4.12 kPa (0.042 kg/cm² , 0.6 psi) of pressure in the system.

4. Using EVAP leak detector, locate the EVAP leak. For the leak detector, refer to the instruction manual for more details. Refer to [EC-34, "EVAPORATIVE EMISSION LINE DRAWING"](#) .

OK or NG

- OK >> GO TO 8.
- NG >> Repair or replace.

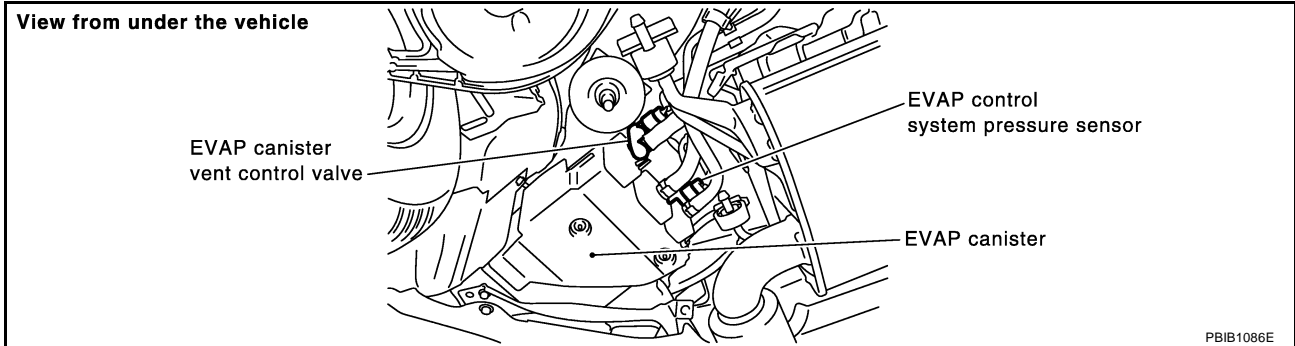


DTC P0456 EVAP CONTROL SYSTEM

7. CHECK FOR EVAP LEAK

⊗ Without CONSULT-III

1. Turn ignition switch OFF.
2. Apply 12 volts DC to EVAP canister vent control valve. The valve will close. (Continue to apply 12 volts until the end of test.)



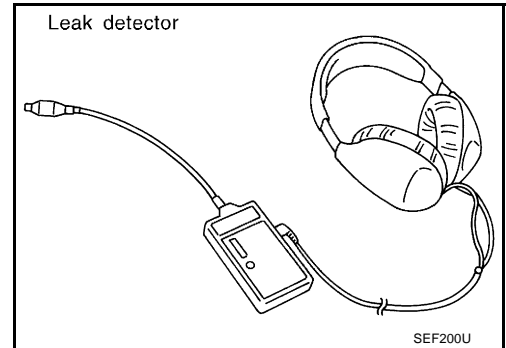
3. Pressurize the EVAP line using pressure pump with 1.3 to 2.7 kPa (10 to 20 mmHg, 0.39 to 0.79 inHg), then remove pump and EVAP service port adapter.

CAUTION:

- Never use compressed air or a high pressure pump.
 - Do not exceed 4.12 kPa (0.042 kg/cm², 0.6 psi) of pressure in the system.
4. Using EVAP leak detector, locate the EVAP leak. For the leak detector, refer to the instruction manual for more details. Refer to [EC-34, "EVAPORATIVE EMISSION LINE DRAWING"](#).

OK or NG

- OK >> GO TO 8.
NG >> Repair or replace.



8. CHECK EVAP CANISTER VENT CONTROL VALVE

Check the following.

- EVAP canister vent control valve is installed properly.
Refer to [EC-37, "Removal and Installation"](#).
- EVAP canister vent control valve.
Refer to [EC-442, "Component Inspection"](#).

OK or NG

- OK >> GO TO 9.
NG >> Repair or replace EVAP canister vent control valve and O-ring.

DTC P0456 EVAP CONTROL SYSTEM

9. CHECK IF EVAP CANISTER SATURATED WITH WATER

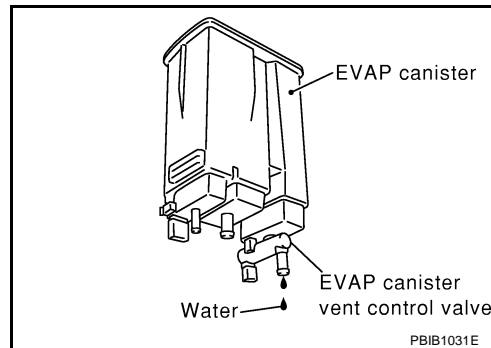
1. Remove EVAP canister with EVAP canister vent control valve and EVAP control system pressure sensor attached.
2. Does water drain from the EVAP canister?

Yes or No

Yes >> GO TO 10.

No (With CONSULT-III)>>GO TO 12.

No (Without CONSULT-III)>>GO TO 13.



10. CHECK EVAP CANISTER

Weigh the EVAP canister with the EVAP canister vent control valve and EVAP control system pressure sensor attached.

The weight should be less than 2.2 kg (4.9 lb).

OK or NG

OK (With CONSULT-III)>>GO TO 12.

OK (Without CONSULT-III)>>GO TO 13.

NG >> GO TO 11.

11. DETECT MALFUNCTIONING PART

Check the following.

- EVAP canister for damage
- EVAP hose between EVAP canister and vehicle frame for clogging or poor connection

>> Repair hose or replace EVAP canister.

12. CHECK EVAP CANISTER PURGE VOLUME CONTROL SOLENOID VALVE OPERATION

Ⓟ With CONSULT-III

1. Disconnect vacuum hose to EVAP canister purge volume control solenoid valve at EVAP service port.
2. Start engine.
3. Perform "PURG VOL CONT/V" in "ACTIVE TEST" mode.
4. Touch "Qu" on CONSULT-III screen to increase "PURG VOL CONT/V" opening to 100%.
5. Check vacuum hose for vacuum when revving engine up to 2,000 rpm.

Vacuum should exist.

OK or NG

OK >> GO TO 15.

NG >> GO TO 14.

DTC P0456 EVAP CONTROL SYSTEM

13. CHECK EVAP CANISTER PURGE VOLUME CONTROL SOLENOID VALVE OPERATION

 **Without CONSULT-III**

1. Start engine and warm it up to normal operating temperature.
2. Stop engine.
3. Disconnect vacuum hose to EVAP canister purge volume control solenoid valve at EVAP service port.
4. Start engine and let it idle for at least 80 seconds.
5. Check vacuum hose for vacuum when revving engine up to 2,000 rpm.

Vacuum should exist.

OK or NG

- OK >> GO TO 16.
NG >> GO TO 14.

14. CHECK VACUUM HOSE

Check vacuum hoses for clogging or disconnection. Refer to [EC-100, "Vacuum Hose Drawing"](#) .

OK or NG

- OK >> GO TO 15.
NG >> Repair or reconnect the hose.

15. CHECK EVAP CANISTER PURGE VOLUME CONTROL SOLENOID VALVE

Refer to [EC-436, "Component Inspection"](#) .

OK or NG

- OK >> GO TO 16.
NG >> Replace EVAP canister purge volume control solenoid valve.

16. CHECK FUEL TANK TEMPERATURE SENSOR

Refer to [EC-347, "Component Inspection"](#) .

OK or NG

- OK >> GO TO 17.
NG >> Replace fuel level sensor unit.

17. CHECK EVAP CONTROL SYSTEM PRESSURE SENSOR

Refer to [EC-464, "Component Inspection"](#) .

OK or NG

- OK >> GO TO 18.
NG >> Replace EVAP control system pressure sensor.

18. CHECK EVAP PURGE LINE

Check EVAP purge line (pipe, rubber tube, fuel tank and EVAP canister) for cracks or improper connection. Refer to [EC-34, "EVAPORATIVE EMISSION LINE DRAWING"](#) .

OK or NG

- OK >> GO TO 19.
NG >> Repair or reconnect the hose.

19. CLEAN EVAP PURGE LINE

Clean EVAP purge line (pipe and rubber tube) using air blower.

>> GO TO 20.

DTC P0456 EVAP CONTROL SYSTEM

20. CHECK EVAP/ORVR LINE

Check EVAP/ORVR line between EVAP canister and fuel tank for clogging, kink, looseness and improper connection. For location, refer to [EC-39, "ON BOARD REFUELING VAPOR RECOVERY \(ORVR\)"](#) .

OK or NG

- OK >> GO TO 21.
- NG >> Repair or replace hoses and tubes.

21. CHECK RECIRCULATION LINE

Check recirculation line between filler neck tube and fuel tank for clogging, kink, cracks, looseness and improper connection.

OK or NG

- OK >> GO TO 22.
- NG >> Repair or replace hose, tube or filler neck tube.

22. CHECK REFUELING EVAP VAPOR CUT VALVE

Refer to [EC-42, "Component Inspection"](#) .

OK or NG

- OK >> GO TO 23.
- NG >> Replace refueling EVAP vapor cut valve with fuel tank.

23. CHECK FUEL LEVEL SENSOR

Refer to [DI-23, "FUEL LEVEL SENSOR UNIT"](#) .

OK or NG

- OK >> GO TO 24.
- NG >> Replace fuel level sensor unit.

24. CHECK INTERMITTENT INCIDENT

Refer to [EC-141, "TROUBLE DIAGNOSIS FOR INTERMITTENT INCIDENT"](#) .

>> **INSPECTION END**

A

EC

C

D

E

F

G

H

I

J

K

L

M

DTC P0460 FUEL LEVEL SENSOR

DTC P0460 FUEL LEVEL SENSOR

PFP:25060

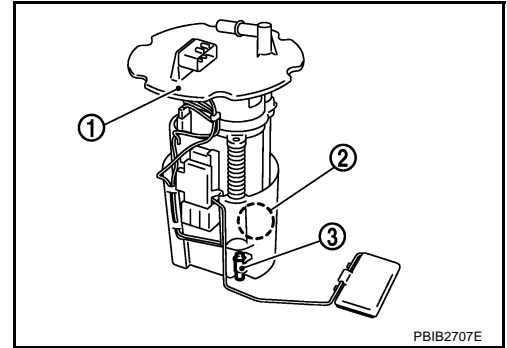
Component Description

NBS000A2

The fuel level sensor is mounted in the fuel level sensor unit. The sensor detects a fuel level in the fuel tank and transmits a signal to the “unified meter and A/C amp.”. The “unified meter and A/C amp.” sends the fuel level sensor signal to the ECM through CAN communication line.

- 1 : Fuel level sensor unit and fuel pump
- 2 : Fuel pressure regulator
- 3 : Fuel tank temperature sensor

It consists of two parts, one is mechanical float and the other is variable resistor. Fuel level sensor output voltage changes depending on the movement of the fuel mechanical float.



On Board Diagnosis Logic

NBS000A3

NOTE:

- If DTC P0460 is displayed with DTC U1000 or U1001, first perform the trouble diagnosis for DTC U1000, U1001. Refer to [EC-151, "DTC U1000, U1001 CAN COMMUNICATION LINE"](#).
- If DTC P0460 is displayed with DTC U1010, first perform the trouble diagnosis for DTC U1010. Refer to [EC-154, "DTC U1010 CAN COMMUNICATION"](#).

When the vehicle is parked, naturally the fuel level in the fuel tank is stable. It means that output signal of the fuel level sensor does not change. If ECM senses sloshing signal from the sensor, fuel level sensor malfunction is detected.

DTC No.	Trouble diagnosis name	DTC detecting condition	Possible cause
P0460 0460	Fuel level sensor circuit noise	Even though the vehicle is parked, a signal being varied is sent from the fuel level sensor to ECM.	<ul style="list-style-type: none">● Harness or connectors (The CAN communication line is open or shorted)● Harness or connectors (The sensor circuit is open or shorted)● Unified meter and A/C amp.● Fuel level sensor

DTC Confirmation Procedure

NBS000A4

NOTE:

If DTC Confirmation Procedure has been previously conducted, always turn ignition switch OFF and wait at least 10 seconds before conducting the next test.

Ⓜ WITH CONSULT-III

1. Start engine and wait maximum of 2 consecutive minutes.
2. Check 1st trip DTC.
3. If 1st trip DTC is detected, go to [EC-490, "Diagnostic Procedure"](#).

Ⓜ WITH GST

Follow the procedure “WITH CONSULT-III” above.

Diagnostic Procedure

NBS000A5

1. CHECK FUEL GAUGE OPERATION

Refer to [DI-15, "Self-Diagnosis Mode of Combination Meter"](#).

OK or NG

- OK >> GO TO 2.
- NG >> Follow the instruction of [DI-15, "Self-Diagnosis Mode of Combination Meter"](#).

DTC P0460 FUEL LEVEL SENSOR

2. CHECK FUEL LEVEL SENSOR AND CIRCUIT

Refer to [DI-19, "Fuel Level Sensor Signal Inspection"](#) .

OK or NG

OK >> GO TO 3.

NG >> Repair or replace malfunctioning parts.

3. CHECK INTERMITTENT INCIDENT

Refer to [EC-141, "TROUBLE DIAGNOSIS FOR INTERMITTENT INCIDENT"](#) .

>> INSPECTION END

Removal and Installation

FUEL LEVEL SENSOR

NBS000A6

Refer to [FL-4, "FUEL LEVEL SENSOR UNIT, FUEL FILTER AND FUEL PUMP ASSEMBLY"](#) .

A

EC

C

D

E

F

G

H

I

J

K

L

M

DTC P0461 FUEL LEVEL SENSOR

DTC P0461 FUEL LEVEL SENSOR

PFP:25060

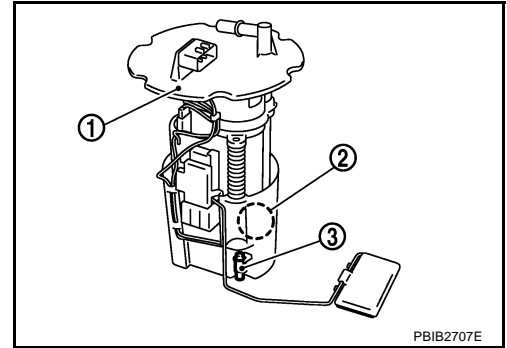
Component Description

NBS006VA

The fuel level sensor is mounted in the fuel level sensor unit. The sensor detects a fuel level in the fuel tank and transmits a signal to the “unified meter and A/C amp.”. The “unified meter and A/C amp.” sends the fuel level sensor signal to the ECM through CAN communication line.

- 1 : Fuel level sensor unit and fuel pump
- 2 : Fuel pressure regulator
- 3 : Fuel tank temperature sensor

It consists of two parts, one is mechanical float and the other is variable resistor. Fuel level sensor output voltage changes depending on the movement of the fuel mechanical float.



On Board Diagnosis Logic

NBS000A8

NOTE:

- If DTC P0461 is displayed with DTC U1000 or U1001, first perform the trouble diagnosis for DTC U1000, U1001. Refer to [EC-151, "DTC U1000, U1001 CAN COMMUNICATION LINE"](#).
- If DTC P0461 is displayed with DTC U1010, first perform the trouble diagnosis for DTC U1010. Refer to [EC-154, "DTC U1010 CAN COMMUNICATION"](#).

Driving long distances naturally affect fuel gauge level.

This diagnosis detects the fuel gauge malfunction of the gauge not moving even after a long distance has been driven.

DTC No.	Trouble diagnosis name	DTC detecting condition	Possible cause
P0461 0461	Fuel level sensor circuit range/performance	The output signal of the fuel level sensor does not change within the specified range even though the vehicle has been driven a long distance.	<ul style="list-style-type: none">● Harness or connectors (The CAN communication line is open or shorted)● Harness or connectors (The sensor circuit is open or shorted)● Unified meter and A/C amp.● Fuel level sensor

Overall Function Check

NBS000A9

Use this procedure to check the overall function of the fuel level sensor function. During this check, a 1st trip DTC might not be confirmed.

WARNING:

When performing following procedure, be sure to observe the handling of the fuel. Refer to [FL-10, "FUEL TANK"](#).

TESTING CONDITION:

Before starting overall function check, preparation of draining fuel and refilling fuel is required.

Ⓜ WITH CONSULT-III

NOTE:

Start from step 10, if it is possible to confirm that the fuel cannot be drained by 30 ℓ (7-7/8 US gal, 6-5/8 Imp gal) in advance.

1. Prepare a fuel container and a spare hose.
2. Release fuel pressure from fuel line, refer to [EC-79, "FUEL PRESSURE RELEASE"](#).
3. Remove the fuel feed hose on the fuel level sensor unit.
4. Connect a spare fuel hose where the fuel feed hose was removed.
5. Turn ignition switch OFF and wait at least 10 seconds then turn ON.
6. Select “FUEL LEVEL SE” in “DATA MONITOR” mode with CONSULT-III.
7. Check “FUEL LEVEL SE” output voltage and note it.
8. Select “FUEL PUMP” in “ACTIVE TEST” mode with CONSULT-III.

DTC P0461 FUEL LEVEL SENSOR

9. Touch "ON" and drain fuel approximately 30 ℓ (7-7/8 US gal, 6-5/8 Imp gal) and stop it.
10. Check "FUEL LEVEL SE" output voltage and note it.
11. Fill fuel into the fuel tank for 30 ℓ (7-7/8 US gal, 6-5/8 Imp gal).
12. Check "FUEL LEVEL SE" output voltage and note it.
13. Confirm whether the voltage changes more than 0.03V during step 7 to 10 and 10 to 12.
If NG, go to [EC-493, "Diagnostic Procedure"](#) .

WITH GST

NOTE:

Start from step 8, if it is possible to confirm that the fuel cannot be drained by 30 ℓ (7-7/8 US gal, 6-5/8 Imp gal) in advance.

1. Prepare a fuel container and a spare hose.
2. Release fuel pressure from fuel line. Refer to [EC-79, "FUEL PRESSURE RELEASE"](#) .
3. Remove the fuel feed hose on the fuel level sensor unit.
4. Connect a spare fuel hose where the fuel feed hose was removed.
5. Turn ignition switch ON.
6. Drain fuel by 30 ℓ (7-7/8 US gal, 6-5/8 Imp gal) from the fuel tank using proper equipment.
7. Confirm that the fuel gauge indication varies.
8. Fill fuel into the fuel tank for 30 ℓ (7-7/8 US gal, 6-5/8 Imp gal).
9. Confirm that the fuel gauge indication varies.
10. If NG, go to [EC-493, "Diagnostic Procedure"](#) .

Diagnostic Procedure

NBS000AA

1. CHECK FUEL GAUGE OPERATION

Refer to [DI-15, "Self-Diagnosis Mode of Combination Meter"](#) .

OK or NG

OK >> GO TO 2.

NG >> Follow the instruction of [DI-15, "Self-Diagnosis Mode of Combination Meter"](#) .

2. CHECK FUEL LEVEL SENSOR AND CIRCUIT

Refer to [DI-19, "Fuel Level Sensor Signal Inspection"](#) .

OK or NG

OK >> GO TO 3.

NG >> Repair or replace malfunctioning parts.

3. CHECK INTERMITTENT INCIDENT

Refer to [EC-141, "TROUBLE DIAGNOSIS FOR INTERMITTENT INCIDENT"](#) .

>> INSPECTION END

Removal and Installation FUEL LEVEL SENSOR

NBS000AB

Refer to [FL-4, "FUEL LEVEL SENSOR UNIT, FUEL FILTER AND FUEL PUMP ASSEMBLY"](#)

DTC P0462, P0463 FUEL LEVEL SENSOR

DTC P0462, P0463 FUEL LEVEL SENSOR

PFP:25060

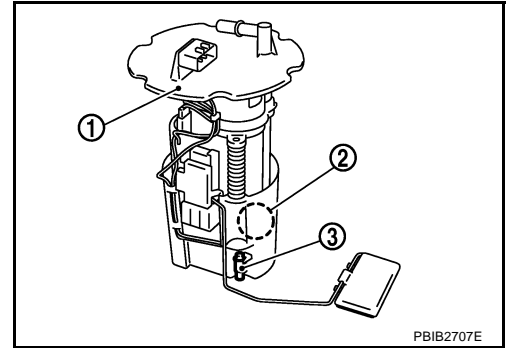
Component Description

NBS006VB

The fuel level sensor is mounted in the fuel level sensor unit. The sensor detects a fuel level in the fuel tank and transmits a signal to the “unified meter and A/C amp.”. The “unified meter and A/C amp.” sends the fuel level sensor signal to the ECM through CAN communication line.

- 1 : Fuel level sensor unit and fuel pump
- 2 : Fuel pressure regulator
- 3 : Fuel tank temperature sensor

It consists of two parts, one is mechanical float and the other is variable resistor. Fuel level sensor output voltage changes depending on the movement of the fuel mechanical float.



PBIB2707E

On Board Diagnosis Logic

NBS000AD

NOTE:

- If DTC P0462 or P0463 is displayed with DTC U1000 or U1001, first perform the trouble diagnosis for DTC U1000, U1001. Refer to [EC-151, "DTC U1000, U1001 CAN COMMUNICATION LINE"](#).
- If DTC P0462 is displayed with DTC U1010, first perform the trouble diagnosis for DTC U1010. Refer to [EC-154, "DTC U1010 CAN COMMUNICATION"](#).

This diagnosis indicates the former, to detect open or short circuit malfunction.

DTC No.	Trouble diagnosis name	DTC detecting condition	Possible cause
P0462 0462	Fuel level sensor circuit low input	An excessively low voltage is sent from the sensor is sent to ECM.	<ul style="list-style-type: none">● Harness or connectors (The CAN communication line is open or shorted)● Unified meter and A/C amp.
P0463 0463	Fuel level sensor circuit high input	An excessively high voltage is sent from the sensor is sent to ECM.	

DTC Confirmation Procedure

NBS000AE

NOTE:

If DTC Confirmation Procedure has been previously conducted, always turn ignition switch OFF and wait at least 10 seconds before conducting the next test.

TESTING CONDITION:

Before performing the following procedure, confirm that battery voltage is more than 11V at ignition switch ON.

Ⓜ WITH CONSULT-III

1. Turn ignition switch ON and wait at least 5 seconds.
2. Check 1st trip DTC.
3. If 1st trip DTC is detected, go to [EC-494, "Diagnostic Procedure"](#).

Ⓜ WITH GST

Follow the procedure “WITH CONSULT-III” above.

Diagnostic Procedure

NBS000AF

1. CHECK FUEL GAUGE OPERATION

Refer to [DI-15, "Self-Diagnosis Mode of Combination Meter"](#).

OK or NG

OK >> GO TO 2.

NG >> Follow the instruction of [DI-15, "Self-Diagnosis Mode of Combination Meter"](#).

DTC P0462, P0463 FUEL LEVEL SENSOR

2. CHECK FUEL LEVEL SENSOR AND CIRCUIT

Refer to [DI-19, "Fuel Level Sensor Signal Inspection"](#) .

OK or NG

OK >> GO TO 3.

NG >> Repair or replace malfunctioning parts.

3. CHECK INTERMITTENT INCIDENT

Refer to [EC-141, "TROUBLE DIAGNOSIS FOR INTERMITTENT INCIDENT"](#) .

>> INSPECTION END

Removal and Installation FUEL LEVEL SENSOR

NBS000AG

Refer to [FL-4, "FUEL LEVEL SENSOR UNIT, FUEL FILTER AND FUEL PUMP ASSEMBLY"](#) .

A

EC

C

D

E

F

G

H

I

J

K

L

M

DTC P0500 VSS

DTC P0500 VSS

PDF:32702

Description

NBS000AH

NOTE:

- If DTC P0500 is displayed with DTC U1000 or U1001, first perform the trouble diagnosis for DTC U1000, U1001. Refer to [EC-151, "DTC U1000, U1001 CAN COMMUNICATION LINE"](#).
- If DTC P0500 is displayed with DTC U1010, first perform the trouble diagnosis for DTC U1010. Refer to [EC-154, "DTC U1010 CAN COMMUNICATION"](#).

The vehicle speed signal is sent to the "unified meter and A/C amp". from the VDC/TCS/ABS control unit (with VDC models) or "ABS actuator and electric unit (control unit)" (without VDC models) by CAN communication line. The unified meter and A/C amp. then sends the signal to the ECM by CAN communication line.

On Board Diagnosis Logic

NBS000AI

DTC No.	Trouble diagnosis name	DTC detecting condition	Possible cause
P0500 0500	Vehicle speed sensor	The almost 0 km/h (0 MPH) signal from vehicle speed sensor is sent to ECM even when vehicle is being driven.	<ul style="list-style-type: none"> ● Harness or connectors (The CAN communication line is open or shorted) ● Harness or connectors (The vehicle speed signal circuit is open or shorted) ● Wheel sensor ● Unified meter and A/C amp. ● VDC/TCS/ABS control unit (with VDC models) ● ABS actuator and electric unit (control unit) (without VDC models)

FAIL-SAFE MODE

When the malfunction is detected, the ECM enters fail-safe mode.

Detected items	Engine operating condition in fail-safe mode
Vehicle speed sensor	When the fail-safe system for vehicle speed sensor is activated, the cooling fan operates (High) while engine is running.

DTC Confirmation Procedure

NBS000AJ

CAUTION:

Always drive vehicle at a safe speed.

NOTE:

If DTC Confirmation Procedure has been previously conducted, always turn ignition switch OFF and wait at least 10 seconds before conducting the next test.

TESTING CONDITION:

Steps 1 and 2 may be conducted with the drive wheels lifted in the shop or by driving the vehicle. If a road test is expected to be easier, it is unnecessary to lift the vehicle.

Ⓟ WITH CONSULT-III

1. Start engine (VDC switch or TCS switch OFF).
2. Read "VHCL SPEED SE" in "DATA MONITOR" mode with CONSULT-III. The vehicle speed on CONSULT-III should exceed 10 km/h (6 MPH) when rotating wheels with suitable gear position.
If NG, go to [EC-497, "Diagnostic Procedure"](#).
If OK, go to following step.
3. Select "DATA MONITOR" mode with CONSULT-III.
4. Warm engine up to normal operating temperature.
5. Maintain the following conditions for at least 60 consecutive seconds.

ENG SPEED	1,800 - 6,000 rpm (A/T) 1,800 - 6,000 rpm (M/T)
COOLAN TEMP/S	More than 70°C (158°F)

DTC P0500 VSS

B/FUEL SCHDL	5.0 - 31.8 msec (A/T) 5.0 - 31.8 msec (M/T)
Shift lever	Except P or N position (A/T) Neutral position (M/T)
PW/ST SIGNAL	OFF

6. Check 1st trip DTC.

7. If 1st trip DTC is detected, go to [EC-497, "Diagnostic Procedure"](#) .

Overall Function Check

NBS000AK

Use this procedure to check the overall function of the vehicle speed sensor circuit. During this check, a 1st trip DTC might not be confirmed.

WITH GST

1. Lift up drive wheels.
2. Start engine.
3. Read vehicle speed sensor signal in Service \$01 with GST.
The vehicle speed sensor on GST should be able to exceed 10 km/h (6 MPH) when rotating wheels with suitable gear position.
4. If NG, go to [EC-497, "Diagnostic Procedure"](#) .

Diagnostic Procedure

NBS000AL

1. CHECK DTC WITH "VDC/TCS/ABS CONTROL UNIT (WITH VDC MODELS)" OR "ABS ACTUATOR AND ELECTRIC UNIT (CONTROL UNIT) (WITHOUT VDC MODELS)"

Refer to [BRC-82, "TROUBLE DIAGNOSIS"](#) (with VDC models) or refer to [BRC-42, "TROUBLE DIAGNOSIS"](#) (without VDC models).

OK or NG

- OK >> GO TO 2.
NG >> Repair or replace.

2. CHECK DTC WITH UNIFIED METER AND A/C AMP.

Refer to [DI-4, "COMBINATION METERS"](#) .

>> INSPECTION END

DTC P0506 ISC SYSTEM

DTC P0506 ISC SYSTEM

PFP:23781

Description

NBS000AM

NOTE:

If DTC P0506 is displayed with other DTC, first perform the trouble diagnosis for the other DTC.

The ECM controls the engine idle speed to a specified level through the fine adjustment of the air, which is let into the intake manifold, by operating the electric throttle control actuator. The operating of the throttle valve is varied to allow for optimum control of the engine idling speed. The crankshaft position sensor (POS) detects the actual engine speed and sends a signal to the ECM.

The ECM controls the electric throttle control actuator so that the engine speed coincides with the target value memorized in the ECM. The target engine speed is the lowest speed at which the engine can operate steadily. The optimum value stored in the ECM is determined by taking into consideration various engine conditions, such as during warming up, deceleration, and engine load (air conditioner, power steering and cooling fan operation, etc.).

On Board Diagnosis Logic

NBS000AN

DTC No.	Trouble diagnosis name	DTC detecting condition	Possible cause
P0506 0506	Idle speed control system RPM lower than expected	The idle speed is less than the target idle speed by 100 rpm or more.	<ul style="list-style-type: none">● Electric throttle control actuator● Intake air leak

DTC Confirmation Procedure

NBS000AO

NOTE:

- If DTC Confirmation Procedure has been previously conducted, always turn ignition switch OFF and wait at least 10 seconds before conducting the next test.
- If the target idle speed is out of the specified value, perform [EC-77, "Idle Air Volume Learning"](#), before conducting DTC Confirmation Procedure. For the target idle speed, refer to [EC-718, "SERVICE DATA AND SPECIFICATIONS \(SDS\)"](#).

TESTING CONDITION:

- Before performing the following procedure, confirm that battery voltage is more than 11V at idle.
- Always perform the test at a temperature above -10°C (14°F).

WITH CONSULT-III

1. Open engine hood.
2. Start engine and warm it up to normal operating temperature.
3. Turn ignition switch OFF and wait at least 10 seconds.
4. Restart engine and run it for at least 1 minute at idle speed.
5. Check 1st trip DTC.
6. If 1st trip DTC is detected, go to [EC-498, "Diagnostic Procedure"](#).

WITH GST

Follow the procedure "WITH CONSULT-III" above.

Diagnostic Procedure

NBS000AP

1. CHECK INTAKE AIR LEAK

1. Start engine and let it idle.
2. Listen for an intake air leak after the mass air flow sensor.

OK or NG

- OK >> GO TO 2.
- NG >> Discover air leak location and repair.

DTC P0506 ISC SYSTEM

2. REPLACE ECM

1. Stop engine.
2. Replace ECM.
3. Perform initialization of NVIS (NATS) system and registration of all NVIS (NATS) ignition key IDs. Refer to [BL-152, "ECM Re-communicating Function"](#) .
4. Perform [EC-76, "VIN Registration"](#) .
5. Perform [EC-76, "Exhaust Valve Timing Control Learning"](#) .
6. Perform [EC-77, "Accelerator Pedal Released Position Learning"](#) .
7. Perform [EC-77, "Throttle Valve Closed Position Learning"](#) .
8. Perform [EC-77, "Idle Air Volume Learning"](#) .

>> INSPECTION END

A

EC

C

D

E

F

G

H

I

J

K

L

M

DTC P0507 ISC SYSTEM

DTC P0507 ISC SYSTEM

PFP:23781

Description

NBS000AQ

NOTE:

If DTC P0507 is displayed with other DTC, first perform the trouble diagnosis for the other DTC.

The ECM controls the engine idle speed to a specified level through the fine adjustment of the air, which is let into the intake manifold, by operating the electric throttle control actuator. The operating of the throttle valve is varied to allow for optimum control of the engine idling speed. The crankshaft position sensor (POS) detects the actual engine speed and sends a signal to the ECM.

The ECM controls the electric throttle control actuator so that the engine speed coincides with the target value memorized in the ECM. The target engine speed is the lowest speed at which the engine can operate steadily. The optimum value stored in the ECM is determined by taking into consideration various engine conditions, such as during warming up, deceleration, and engine load (air conditioner, power steering and cooling fan operation, etc.).

On Board Diagnosis Logic

NBS000AR

DTC No.	Trouble diagnosis name	DTC detecting condition	Possible cause
P0507 0507	Idle speed control system RPM higher than expected	The idle speed is more than the target idle speed by 200 rpm or more.	<ul style="list-style-type: none">● Electric throttle control actuator● Intake air leak● PCV system

DTC Confirmation Procedure

NBS000AS

NOTE:

- If DTC Confirmation Procedure has been previously conducted, always turn ignition switch OFF and wait at least 10 seconds before conducting the next test.
- If the target idle speed is out of the specified value, perform [EC-77. "Idle Air Volume Learning"](#), before conducting DTC Confirmation Procedure. For the target idle speed, refer to [EC-718. "SERVICE DATA AND SPECIFICATIONS \(SDS\)"](#).

TESTING CONDITION:

- Before performing the following procedure, confirm that battery voltage is more than 11V at idle.
- Always perform the test at a temperature above -10°C (14°F).

WITH CONSULT-III

1. Open engine hood.
2. Start engine and warm it up to normal operating temperature.
3. Turn ignition switch OFF and wait at least 10 seconds.
4. Restart engine and run it for at least 1 minute at idle speed.
5. Check 1st trip DTC.
6. If 1st trip DTC is detected, go to [EC-500. "Diagnostic Procedure"](#).

WITH GST

Follow the procedure "WITH CONSULT-III" above.

Diagnostic Procedure

NBS000AT

1. CHECK PCV HOSE CONNECTION

Confirm that PCV hose is connected correctly.

OK or NG

- OK >> GO TO 2.
NG >> Repair or replace.

DTC P0507 ISC SYSTEM

2. CHECK INTAKE AIR LEAK

1. Start engine and let it idle.
2. Listen for an intake air leak after the mass air flow sensor.

OK or NG

- OK >> GO TO 3.
NG >> Discover air leak location and repair.

3. REPLACE ECM

1. Stop engine.
2. Replace ECM.
3. Perform initialization of NVIS (NATS) system and registration of all NVIS (NATS) ignition key IDs.
Refer to [BL-152, "ECM Re-communicating Function"](#) .
4. Perform [EC-76, "VIN Registration"](#) .
5. Perform [EC-76, "Exhaust Valve Timing Control Learning"](#) .
6. Perform [EC-77, "Accelerator Pedal Released Position Learning"](#) .
7. Perform [EC-77, "Throttle Valve Closed Position Learning"](#) .
8. Perform [EC-77, "Idle Air Volume Learning"](#) .

>> INSPECTION END

A

EC

C

D

E

F

G

H

I

J

K

L

M

DTC P0550 PSP SENSOR

DTC P0550 PSP SENSOR

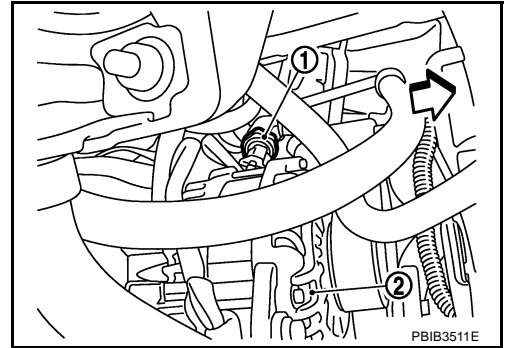
PFP:49763

Component Description

NBS000AU

Power steering pressure (PSP) sensor (1) is installed to the power steering high-pressure tube and detects a power steering load. This sensor is a potentiometer which transforms the power steering load into output voltage, and emits the voltage signal to the ECM. The ECM controls the electric throttle control actuator and adjusts the throttle valve opening angle to increase the engine speed and adjusts the idle speed for the increased load.

- 2 : Alternator
- ↶ : Vehicle front



CONSULT-III Reference Value in Data Monitor Mode

NBS000AV

Specification data are reference values.

MONITOR ITEM	CONDITION		SPECIFICATION
PW/ST SIGNAL	● Engine: After warming up, idle the engine	Steering wheel: Not being turned	OFF
		Steering wheel: Being turned	ON

On Board Diagnosis Logic

NBS000AW

The MIL will not light up for this self-diagnosis.

NOTE:

If DTC P0550 is displayed with DTC P0643, first perform the trouble diagnosis for DTC P0643. Refer to [EC-514, "DTC P0643 SENSOR POWER SUPPLY"](#).

DTC No.	Trouble diagnosis name	DTC detecting condition	Possible cause
P0550 0550	Power steering pressure sensor circuit	An excessively low or high voltage from the sensor is sent to ECM.	<ul style="list-style-type: none"> ● Harness or connectors (The sensor circuit is open or shorted) ● Power steering pressure sensor

DTC Confirmation Procedure

NBS000AX

NOTE:

If DTC Confirmation Procedure has been previously conducted, always turn ignition switch OFF and wait at least 10 seconds before conducting the next test.

WITH CONSULT-III

1. Start engine and let it idle for at least 5 seconds.
2. Check 1st trip DTC.
3. If 1st trip DTC is detected, go to [EC-505, "Diagnostic Procedure"](#).

WITH GST



Follow the procedure "WITH CONSULT-III" above.

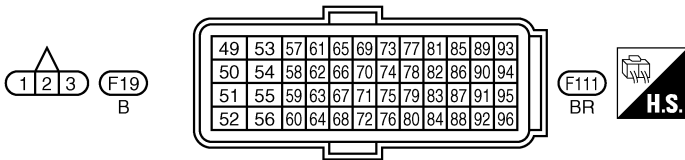
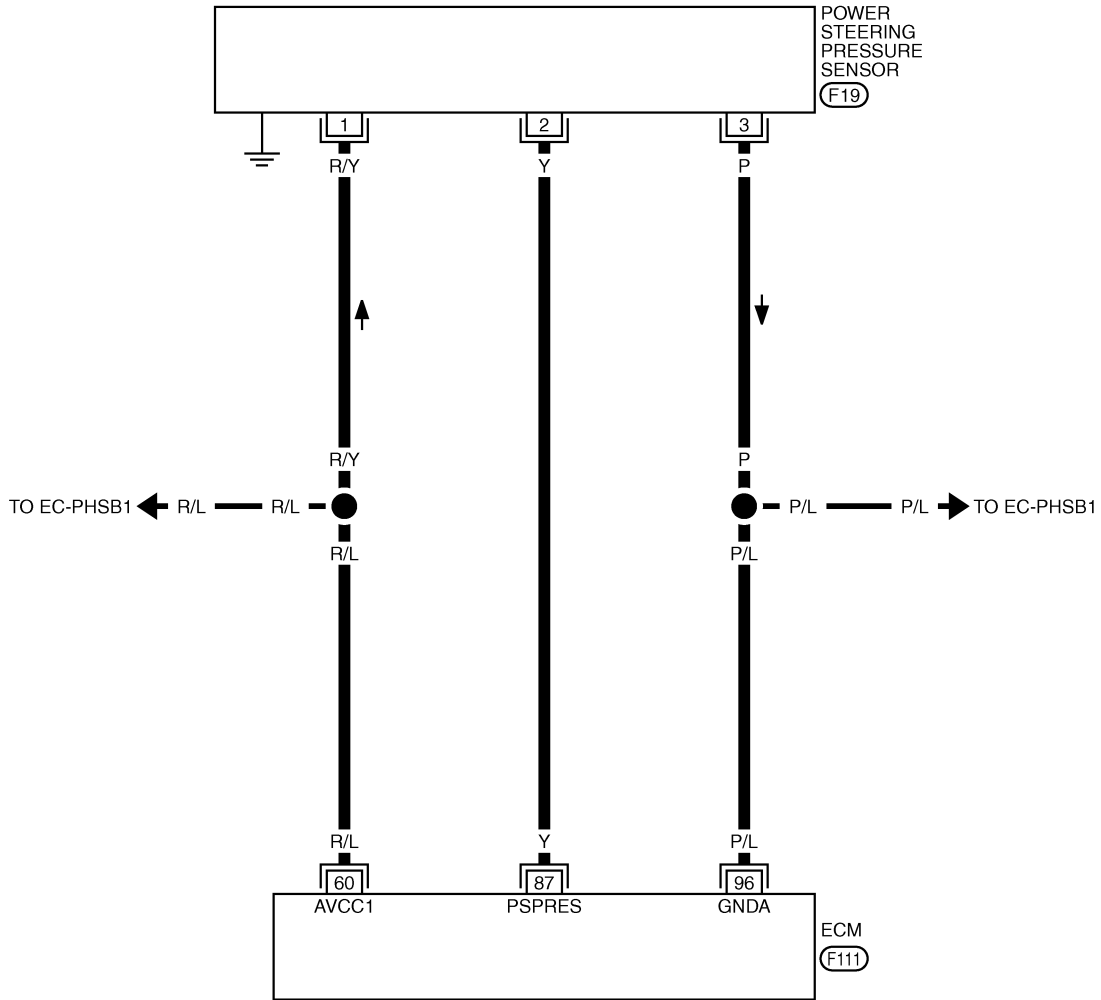
DTC P0550 PSP SENSOR

Wiring Diagram

NBS000AY

EC-PS/SEN-01

 : DETECTABLE LINE FOR DTC
 : NON-DETECTABLE LINE FOR DTC



TBWT1651E

DTC P0550 PSP SENSOR

Specification data are reference values and are measured between each terminal and ground.

CAUTION:

Do not use ECM ground terminals when measuring input/output voltage. Doing so may result in damage to the ECM's transistor. Use a ground other than ECM terminals, such as the ground.

TER-MINAL NO.	WIRE COLOR	ITEM	CONDITION	DATA (DC Voltage)
60	R/L	Sensor power supply [Camshaft position sensor (PHASE) (bank 1), Exhaust valve timing control position sensor (bank 1), Power steering pressure sensor]	[Ignition switch: ON]	5V
87	Y	Power steering pressure sensor	[Engine is running] ● Steering wheel: Being turned	0.5 - 4.5V
			[Engine is running] ● Steering wheel: Not being turned	0.4 - 0.8V
96	P/L	Sensor ground [Camshaft position sensor (PHASE) (bank 1), Power steering pressure sensor]	[Engine is running] ● Warm-up condition ● Idle speed	0V

DTC P0550 PSP SENSOR

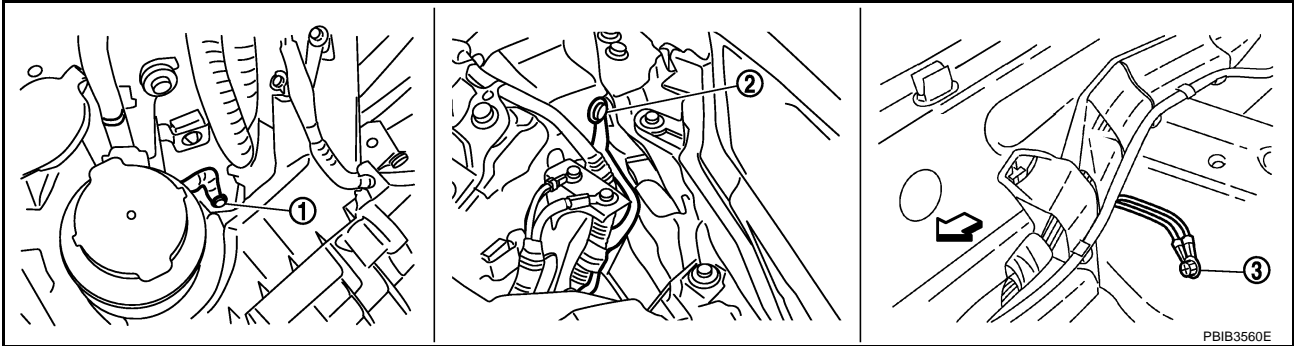
Diagnostic Procedure

NBS000AZ

1. CHECK GROUND CONNECTIONS

Models with VDC system, navigation system or telephone

1. Turn ignition switch OFF.
2. Loosen and retighten ground screws on the body. Refer to [EC-150, "Ground Inspection"](#).



1. Body ground E17

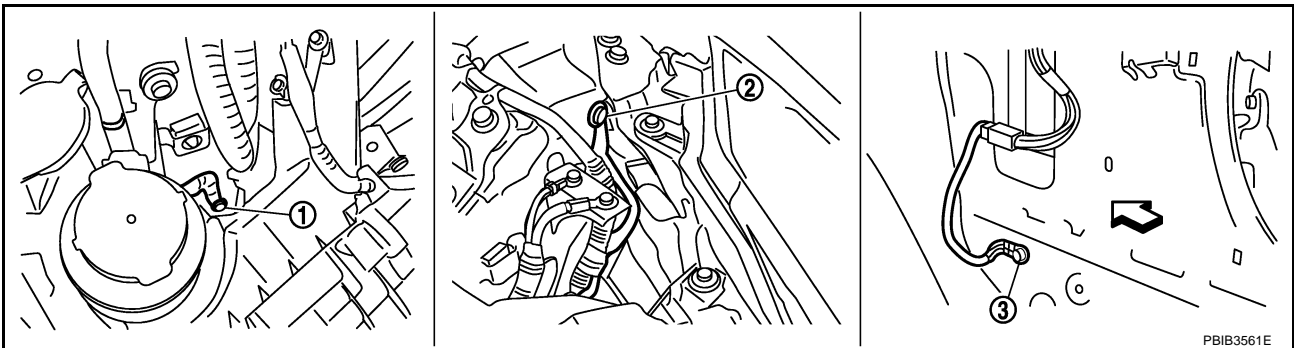
2. Body ground E43

3. Body ground B102

← Vehicle front

Models without VDC system, navigation system and telephone

1. Turn ignition switch OFF.
2. Loosen and retighten ground screws on the body. Refer to [EC-150, "Ground Inspection"](#).



1. Body ground E17

2. Body ground E43

3. Body ground F152
(Passenger side view with dash side
finisher removed)

← Vehicle front

OK or NG

- OK >> GO TO 2.
NG >> Repair or replace ground connections.

A
EC
C
D
E
F
G
H
I
J
K
L
M

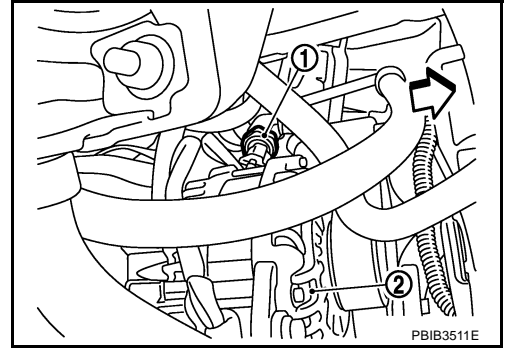
DTC P0550 PSP SENSOR

2. CHECK PSP SENSOR POWER SUPPLY CIRCUIT

1. Disconnect power steering pressure (PNP) sensor (1) harness connector.

1 : Alternator
↔ : Vehicle front

2. Turn ignition switch ON.



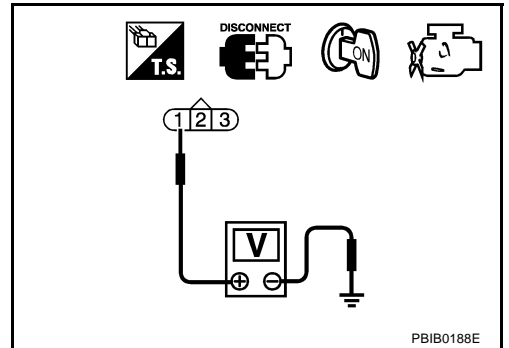
3. Check voltage between PSP sensor terminal 1 and ground with CONSULT-III or tester.

Voltage: Approximately 5V

OK or NG

OK >> GO TO 3.

NG >> Repair open circuit or short to ground or short to power in harness or connectors.



3. CHECK PSP SENSOR GROUND CIRCUIT FOR OPEN AND SHORT

1. Turn ignition switch OFF.
2. Disconnect ECM harness connector.
3. Check harness continuity between PSP sensor terminal 3 and ECM terminal 96. Refer to Wiring Diagram.

Continuity should exist.

4. Also check harness for short to ground and short to power.

OK or NG

OK >> GO TO 4.

NG >> Repair open circuit or short to ground or short to power in harness or connectors.

4. CHECK PSP SENSOR INPUT SIGNAL CIRCUIT FOR OPEN AND SHORT

1. Check harness continuity between ECM terminal 87 and PSP sensor terminal 2. Refer to Wiring Diagram.

Continuity should exist.

2. Also check harness for short to ground and short to power.

OK or NG

OK >> GO TO 5.

NG >> Repair open circuit or short to ground or short to power in harness or connectors.

5. CHECK PSP SENSOR

Refer to [EC-507, "Component Inspection"](#).

OK or NG

OK >> GO TO 6.

NG >> Replace PNP sensor.

DTC P0550 PSP SENSOR

6. CHECK INTERMITTENT INCIDENT

Refer to [EC-141, "TROUBLE DIAGNOSIS FOR INTERMITTENT INCIDENT"](#) .

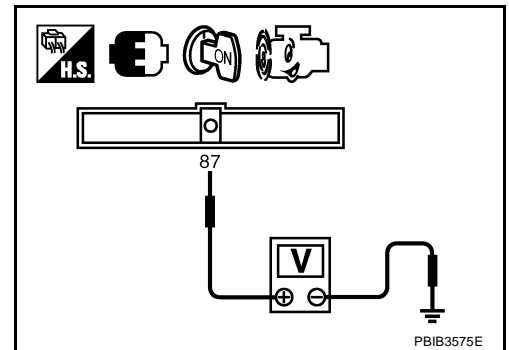
>> INSPECTION END

Component Inspection POWER STEERING PRESSURE SENSOR

NBS000B0

1. Reconnect all harness connectors disconnected.
2. Start engine and let it idle.
3. Check voltage between ECM terminal 87 and ground under the following conditions.

Condition	Voltage
Steering wheel: Being turned	0.5 - 4.5V
Steering wheel: Not being turned	0.4 - 0.8V



Removal and Installation POWER STEERING PRESSURE SENSOR

NBS000B1

Refer to [PS-33, "HYDRAULIC LINE"](#) .

DTC P0603 ECM POWER SUPPLY

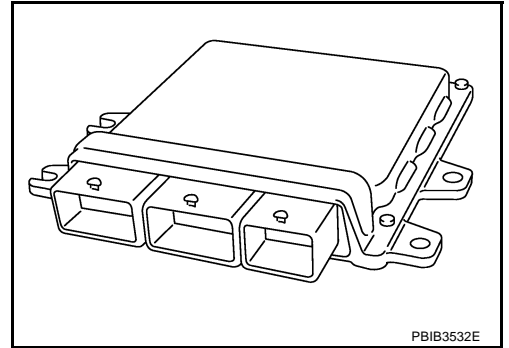
DTC P0603 ECM POWER SUPPLY

PFP:23710

Component Description

NBS000BE

Battery voltage is supplied to the ECM even when the ignition switch is turned OFF for the ECM memory function of the DTC memory, the air-fuel ratio feedback compensation value memory, the Idle Air Volume Learning value memory, etc.



On Board Diagnosis Logic

NBS000BF

DTC No.	Trouble diagnosis name	DTC detecting condition	Possible cause
P0603 0603	ECM power supply circuit	ECM back-up RAM system does not function properly.	<ul style="list-style-type: none">● Harness or connectors [The ECM power supply (back-up) circuit is open or shorted.]● ECM

DTC Confirmation Procedure

NBS000BG

NOTE:

If DTC Confirmation Procedure has been previously conducted, always turn ignition switch OFF and wait at least 10 seconds before conducting the next test.

WITH CONSULT-III

1. Start engine and let it idle for 1 second.
2. Turn ignition switch OFF, wait at least 10 seconds, and then turn ON.
3. Repeat steps 3 and 4 for four times.
4. Check 1st trip DTC.
5. If 1st trip DTC is detected, go to [EC-510, "Diagnostic Procedure"](#).

WITH GST

Follow the procedure "WITH CONSULT-III" above.

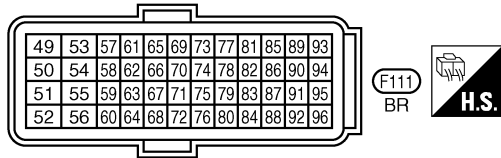
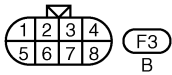
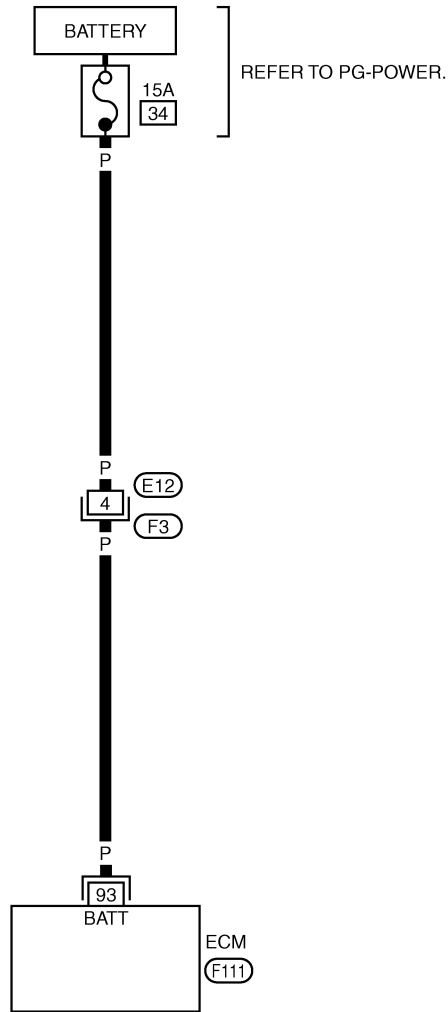
DTC P0603 ECM POWER SUPPLY

Wiring Diagram

NBS000BH

EC-ECM/PW-01

: DETECTABLE LINE FOR DTC
 : NON-DETECTABLE LINE FOR DTC



TBWT1652E

DTC P0603 ECM POWER SUPPLY

Specification data are reference values and are measured between each terminal and ground.

CAUTION:

Do not use ECM ground terminals when measuring input/output voltage. Doing so may result in damage to the ECM's transistor. Use a ground other than ECM terminals, such as the ground.

TER-MINAL NO.	WIRE COLOR	ITEM	CONDITION	DATA (DC Voltage)
93	P	Power supply for ECM (Back-up)	[Ignition switch: OFF]	BATTERY VOLTAGE (11 - 14V)

Diagnostic Procedure

NBS000BI

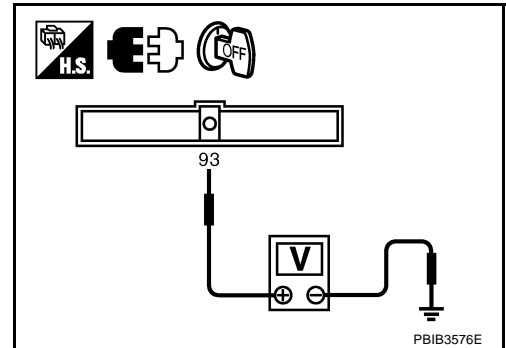
1. CHECK ECM POWER SUPPLY

1. Turn ignition switch OFF.
2. Check voltage between ECM terminal 93 and ground with CONSULT-III or tester.

Voltage: Battery voltage

OK or NG

- OK >> GO TO 3.
- NG >> GO TO 2.



2. DETECT MALFUNCTIONING PART

Check the following.

- Harness connectors E12, F3
- 15A fuse
- Harness for open or short between ECM and battery

>> Repair or replace harness or connectors.

3. CHECK INTERMITTENT INCIDENT

Refer to [EC-141, "TROUBLE DIAGNOSIS FOR INTERMITTENT INCIDENT"](#).

OK or NG

- OK >> GO TO 4.
- NG >> Repair or replace harness or connectors.

DTC P0603 ECM POWER SUPPLY

4. PERFORM DTC CONFIRMATION PROCEDURE

With CONSULT-III

1. Turn ignition switch ON.
2. Select "SELF DIAG RESULTS" mode with CONSULT-III.
3. Touch "ERASE".
4. **Perform DTC Confirmation Procedure.**
See [EC-508, "DTC Confirmation Procedure"](#) .
5. Is the 1st trip DTC P0603 displayed again?

With GST

1. Turn ignition switch ON.
2. Select Service \$04 with GST.
3. **Perform DTC Confirmation Procedure.**
See [EC-508, "DTC Confirmation Procedure"](#) .
4. Is the 1st trip DTC P0603 displayed again?

Yes or No

Yes >> GO TO 5.

No >> **INSPECTION END**

5. REPLACE ECM

1. Replace ECM.
2. Perform initialization of NVIS (NATS) system and registration of all NVIS (NATS) ignition key IDs.
Refer to [BL-152, "ECM Re-communicating Function"](#) .
3. Perform [EC-76, "VIN Registration"](#) .
4. Perform [EC-76, "Exhaust Valve Timing Control Learning"](#) .
5. Perform [EC-77, "Accelerator Pedal Released Position Learning"](#) .
6. Perform [EC-77, "Throttle Valve Closed Position Learning"](#) .
7. Perform [EC-77, "Idle Air Volume Learning"](#) .

>> **INSPECTION END**

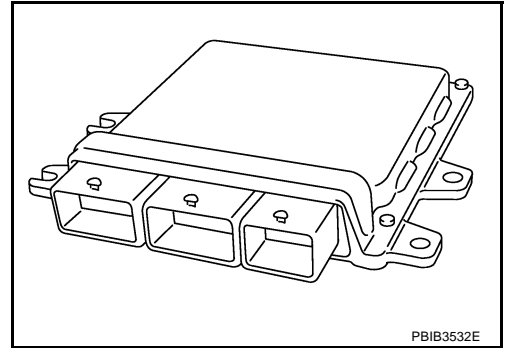
DTC P0605 ECM

PFP:23710

Component Description

NBS000B2

The ECM consists of a microcomputer and connectors for signal input and output and for power supply. The ECM controls the engine.



On Board Diagnosis Logic

NBS000B3

This self-diagnosis has one or two trip detection logic.

DTC No.	Trouble diagnosis name	DTC detecting condition		Possible cause
P0605 0605	Engine control module	A)	ECM calculation function is malfunctioning.	● ECM
		B)	ECM EEPROM system is malfunctioning.	
		C)	ECM self shut-off function is malfunctioning.	

FAIL-SAFE MODE

ECM enters fail-safe mode when the malfunction A is detected.

Detected items	Engine operation condition in fail-safe mode
Malfunction A	<ul style="list-style-type: none"> ● ECM stops the electric throttle control actuator control, throttle valve is maintained at a fixed opening (approx. 5 degrees) by the return spring. ● ECM deactivates ASCD operation.

DTC Confirmation Procedure

NBS000B4

Perform **PROCEDURE FOR MALFUNCTION A** first. If the 1st trip DTC cannot be confirmed, perform **PROCEDURE FOR MALFUNCTION B**. If there is no malfunction on **PROCEDURE FOR MALFUNCTION B**, perform **PROCEDURE FOR MALFUNCTION C**.

NOTE:

If DTC Confirmation Procedure has been previously conducted, always turn ignition switch OFF and wait at least 10 seconds before conducting the next test.

PROCEDURE FOR MALFUNCTION A

With CONSULT-III

1. Turn ignition switch ON.
2. Check 1st trip DTC.
3. If 1st trip DTC is detected, go to [EC-513, "Diagnostic Procedure"](#).

With GST

Follow the procedure "With CONSULT-III" above.

PROCEDURE FOR MALFUNCTION B

With CONSULT-III

1. Turn ignition switch ON and wait at least 1 second.
2. Turn ignition switch OFF, wait at least 10 seconds, and then turn ON.
3. Check 1st trip DTC.
4. If 1st trip DTC is detected, go to [EC-513, "Diagnostic Procedure"](#).

With GST

Follow the procedure "With CONSULT-III" above.

PROCEDURE FOR MALFUNCTION C

With CONSULT-III

1. Turn ignition switch ON and wait at least 1 second.
2. Turn ignition switch OFF, wait at least 10 seconds, and then turn ON.
3. Repeat step 3 for 32 times.
4. Check 1st trip DTC.
5. If 1st trip DTC is detected, go to [EC-513, "Diagnostic Procedure"](#) .

With GST

Follow the procedure "With CONSULT-III" above.

Diagnostic Procedure

NBS000B5

1. INSPECTION START

With CONSULT-III

1. Turn ignition switch ON.
2. Select "SELF DIAG RESULTS" mode with CONSULT-III.
3. Touch "ERASE".
4. **Perform DTC Confirmation Procedure.**
See [EC-512, "DTC Confirmation Procedure"](#) .
5. Is the 1st trip DTC P0605 displayed again?

With GST

1. Turn ignition switch ON.
2. Select Service \$04 with GST.
3. **Perform DTC Confirmation Procedure.**
See [EC-512, "DTC Confirmation Procedure"](#) .
4. Is the 1st trip DTC P0605 displayed again?

Yes or No

Yes >> GO TO 2.

No >> **INSPECTION END**

2. REPLACE ECM

1. Replace ECM.
2. Perform initialization of NVIS (NATS) system and registration of all NVIS (NATS) ignition key IDs.
Refer to [BL-152, "ECM Re-communicating Function"](#) .
3. Perform [EC-76, "VIN Registration"](#) .
4. Perform [EC-76, "Exhaust Valve Timing Control Learning"](#) .
5. Perform [EC-77, "Accelerator Pedal Released Position Learning"](#) .
6. Perform [EC-77, "Throttle Valve Closed Position Learning"](#) .
7. Perform [EC-77, "Idle Air Volume Learning"](#) .

>> **INSPECTION END**

DTC P0643 SENSOR POWER SUPPLY

DTC P0643 SENSOR POWER SUPPLY

PFP:18919

On Board Diagnosis Logic

NBS000DW

This self-diagnosis has the one trip detection logic.

DTC No.	Trouble diagnosis name	DTC detecting condition	Possible cause
P0643 0643	Sensor power supply circuit short	ECM detects a voltage of power source for sensor is excessively low or high.	<ul style="list-style-type: none">● Harness or connectors (APP sensor 1 circuit is shorted.) (TP sensor circuit is shorted.) [CMP sensor (PHASE) (bank 1) circuit is shorted.] [EVT control position sensor (bank 1) circuit is shorted.] (PSP sensor circuit is shorted.)● Accelerator pedal position sensor● Throttle position sensor● Camshaft position sensor (PHASE) (bank 1)● Exhaust valve timing control position sensor (bank 1)● Power steering pressure sensor

FAIL-SAFE MODE

When the malfunction is detected, ECM enters fail-safe mode and the MIL lights up.

Engine operation condition in fail-safe mode

ECM stops the electric throttle control actuator control, throttle valve is maintained at a fixed opening (approx. 5 degrees) by the return spring.

DTC Confirmation Procedure

NBS000DX

NOTE:

If DTC Confirmation Procedure has been previously conducted, always turn ignition switch OFF and wait at least 10 seconds before conducting the next test.

TESTING CONDITION:

Before performing the following procedure, confirm that battery voltage is more than 8V at idle.

WITH CONSULT-III

1. Start engine and let it idle for 1 second.
2. Check DTC.
3. If DTC is detected, go to [EC-517, "Diagnostic Procedure"](#) .

WITH GST

Follow the procedure "WITH CONSULT-III" above.

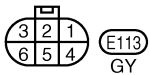
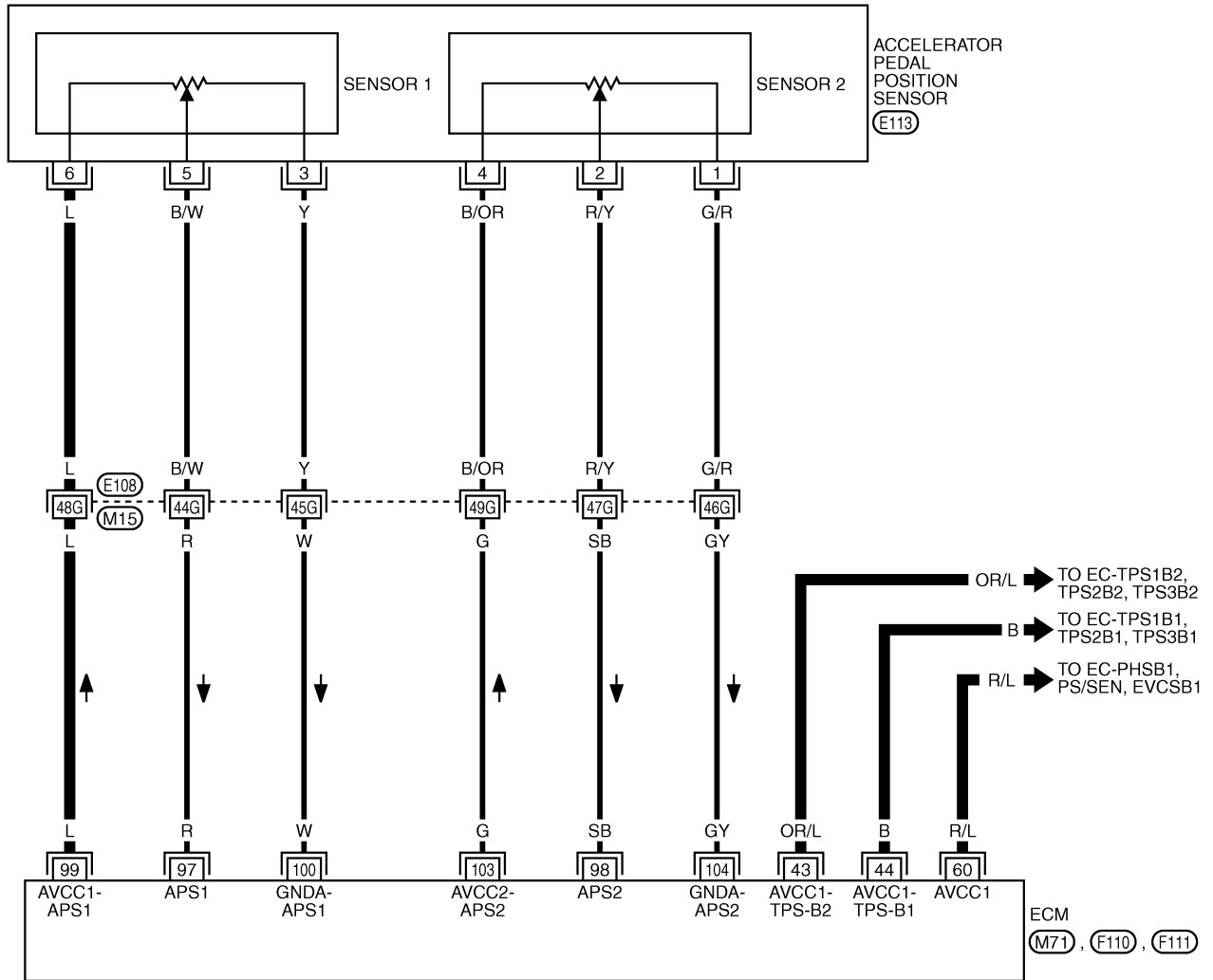
DTC P0643 SENSOR POWER SUPPLY

Wiring Diagram

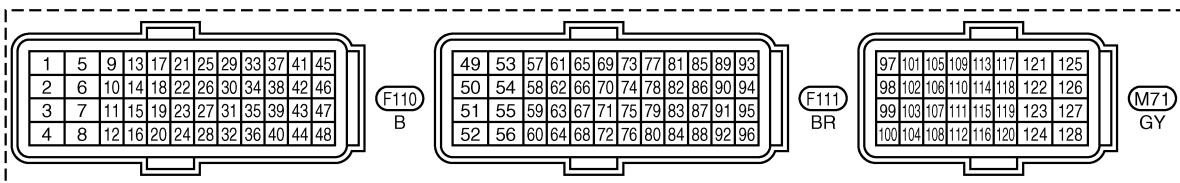
NBS000DY

EC-SEN/PW-01

: DETECTABLE LINE FOR DTC
 : NON-DETECTABLE LINE FOR DTC



REFER TO THE FOLLOWING.
 (E108) -SUPER MULTIPLE JUNCTION (SMJ)



TBWT1653E

DTC P0643 SENSOR POWER SUPPLY

Specification data are reference values and are measured between each terminal and ground.

CAUTION:

Do not use ECM ground terminals when measuring input/output voltage. Doing so may result in damage to the ECM's transistor. Use a ground other than ECM terminals, such as the ground.

TER-MINAL NO.	WIRE COLOR	ITEM	CONDITION	DATA (DC Voltage)
43	OR/L	Sensor power supply [Throttle position sensor (bank 2)]	[Ignition switch: ON]	5V
44	B	Sensor power supply [Throttle position sensor (bank 1)]	[Ignition switch: ON]	5V
60	R/L	Sensor power supply [Camshaft position sensor (PHASE) (bank 1), Exhaust valve timing control position sensor (bank 1), Power steering pressure sensor]	[Ignition switch: ON]	5V
97	R	Accelerator pedal position sensor 1	[Ignition switch: ON] ● Engine stopped ● Accelerator pedal: Fully released	0.5 - 1.0V
			[Ignition switch: ON] ● Engine stopped ● Accelerator pedal: Fully depressed	3.9 - 4.7V
98	SB	Accelerator pedal position sensor 2	[Ignition switch: ON] ● Engine stopped ● Accelerator pedal: Fully released	0.15 - 0.60V
			[Ignition switch: ON] ● Engine stopped ● Accelerator pedal: Fully depressed	1.95 - 2.40V
99	L	Sensor power supply (Accelerator pedal position sensor 1)	[Ignition switch: ON]	5V
100	W	Sensor ground (Accelerator pedal position sensor 1)	[Engine is running] ● Warm-up condition ● Idle speed	0V
103	G	Sensor power supply (Accelerator pedal position sensor 2)	[Ignition switch: ON]	5V
104	GY	Sensor ground (Accelerator pedal position sensor 2)	[Engine is running] ● Warm-up condition ● Idle speed	0V

DTC P0643 SENSOR POWER SUPPLY

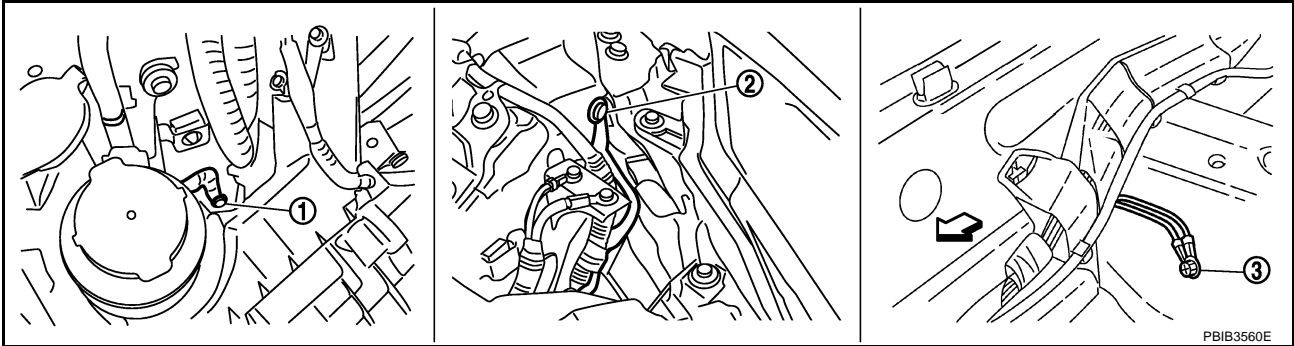
NBS000DZ

Diagnostic Procedure

1. CHECK GROUND CONNECTIONS

Models with VDC system, navigation system or telephone

1. Turn ignition switch OFF.
2. Loosen and retighten ground screws on the body. Refer to [EC-150, "Ground Inspection"](#) .



1. Body ground E17

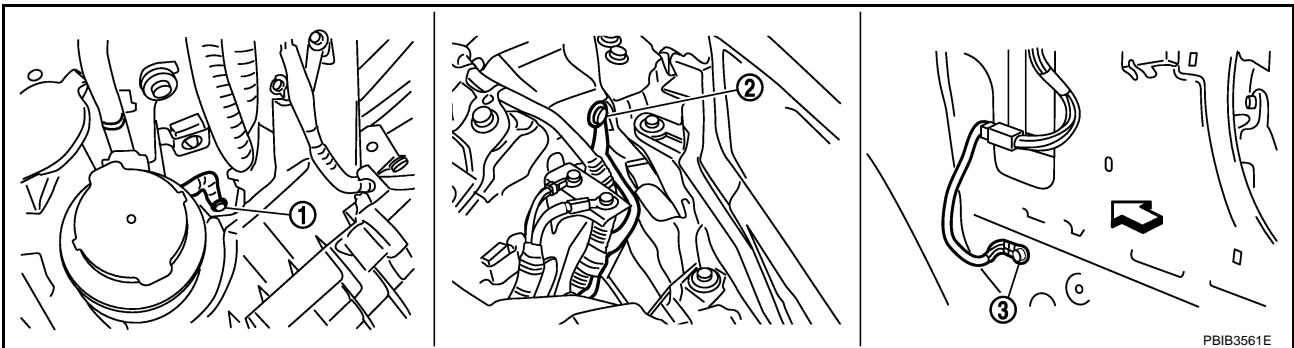
2. Body ground E43

3. Body ground B102

← Vehicle front

Models without VDC system, navigation system and telephone

1. Turn ignition switch OFF.
2. Loosen and retighten ground screws on the body. Refer to [EC-150, "Ground Inspection"](#) .



1. Body ground E17

2. Body ground E43

3. Body ground F152
(Passenger side view with dash side
finisher removed)

← Vehicle front

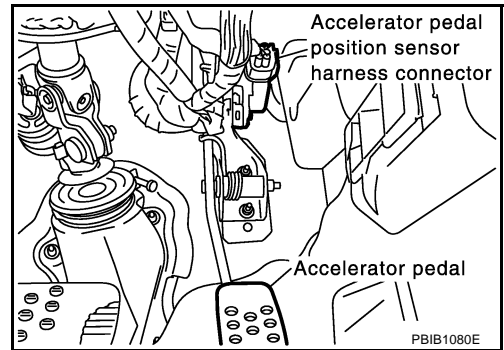
OK or NG

- OK >> GO TO 2.
NG >> Repair or replace ground connections.

DTC P0643 SENSOR POWER SUPPLY

2. CHECK ACCELERATOR PEDAL POSITION SENSOR 1 POWER SUPPLY CIRCUIT-I

1. Disconnect accelerator pedal position (APP) sensor harness connector.
2. Turn ignition switch ON.

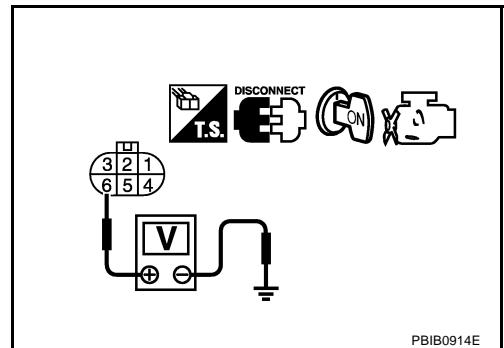


3. Check voltage between APP sensor terminal 6 and ground with CONSULT-III or tester.

Voltage: Approximately 5V

OK or NG

- OK >> GO TO 7.
 NG >> GO TO 3.



3. CHECK SENSOR POWER SUPPLY CIRCUITS

Check harness for short to power and short to ground, between the following terminals.

ECM terminal	Sensor terminal	Reference Wiring Diagram
43	Electric throttle control actuator (bank 2) terminal 6	EC-365
44	Electric throttle control actuator (bank 1) terminal 6	EC-363
60	CMP sensor (PHASE) (bank 1) terminal 1	EC-397
	EVT control position sensor (bank 1) terminal 1	EC-530
	PSP sensor terminal 1	EC-503
99	APP sensor terminal 6	EC-515

OK or NG

- OK >> GO TO 4.
 NG >> Repair short to ground or short to power in harness or connectors.

4. CHECK COMPONENTS

Check the following.

- Camshaft position sensor (PHASE) (bank 1) (Refer to [EC-405, "Component Inspection"](#) .)
- Exhaust valve timing control position sensor (bank 1) (Refer to [EC-539, "Component Inspection"](#) .)
- Power steering pressure sensor (Refer to [EC-507, "Component Inspection"](#) .)

OK or NG

- OK >> GO TO 5.
 NG >> Replace malfunctioning component.

DTC P0643 SENSOR POWER SUPPLY

5. CHECK TP SENSOR

Refer to [EC-369, "Component Inspection"](#) .

OK or NG

- OK >> GO TO 9.
- NG >> GO TO 6.

6. REPLACE ELECTRIC THROTTLE CONTROL ACTUATOR

1. Replace malfunctioning electric throttle control actuator.
2. Perform [EC-77, "Throttle Valve Closed Position Learning"](#) .
3. Perform [EC-77, "Idle Air Volume Learning"](#) .

>> INSPECTION END

7. CHECK APP SENSOR

Refer to [EC-640, "Component Inspection"](#) .

OK or NG

- OK >> GO TO 9.
- NG >> GO TO 8.

8. REPLACE ACCELERATOR PEDAL ASSEMBLY

1. Replace accelerator pedal assembly.
2. Perform [EC-77, "Accelerator Pedal Released Position Learning"](#) .
3. Perform [EC-77, "Throttle Valve Closed Position Learning"](#) .
4. Perform [EC-77, "Idle Air Volume Learning"](#) .

>> INSPECTION END

9. CHECK INTERMITTENT INCIDENT

Refer to [EC-141, "TROUBLE DIAGNOSIS FOR INTERMITTENT INCIDENT"](#) .

>> INSPECTION END

A

EC

C

D

E

F

G

H

I

J

K

L

M

DTC P0850 PNP SWITCH

DTC P0850 PNP SWITCH

PFP:23006

Component Description

NBS000GB

When the shift position is P or N (A/T), Neutral (M/T), park/neutral position (PNP) switch is ON. ECM detects the position because the continuity of the line (the ON signal) exists.

CONSULT-III Reference Value in Data Monitor Mode

NBS000GC

Specification data are reference values.

MONITOR ITEM	CONDITION		SPECIFICATION
P/N POSI SW	● Ignition switch: ON	Shift lever: P or N (A/T), Neutral (M/T) position	ON
		Shift lever: Except above position	OFF

On Board Diagnosis Logic

NBS000GD

DTC No.	Trouble diagnosis name	DTC detecting condition	Possible cause
P0850 0850	Park/neutral position switch	The signal of the park/neutral position (PNP) switch is not changed in the process of engine starting and driving.	<ul style="list-style-type: none">● Harness or connectors [The park/neutral position (PNP) switch circuit is open or shorted.]● Park/neutral position (PNP) switch● TCM (A/T models)

DTC Confirmation Procedure

NBS000GE

CAUTION:

Always drive vehicle at a safe speed.

NOTE:

If DTC Confirmation Procedure has been previously conducted, always turn ignition switch OFF and wait at least 10 seconds before conducting the next test.

WITH CONSULT-III

1. Turn ignition switch ON.
2. Select "P/N POSI SW" in "DATA MONITOR" mode with CONSULT-III. Then check the "P/N POSI SW" signal under the following conditions.

Position (Shift lever)	Known-good signal
N or P position (A/T) Neutral position (M/T)	ON
Except above position	OFF

If NG, go to [EC-525, "Diagnostic Procedure"](#).

If OK, go to following steps.

3. Select "DATA MONITOR" mode with CONSULT-III.
4. Start engine and warm it up to normal operating temperature.
5. Maintain the following conditions for at least 60 consecutive seconds.

ENG SPEED	1,400 - 6375 rpm
COOLAN TEMP/S	More than 70°C (158°F)
B/FUEL SCHDL	2.0 - 31.8 msec
VHCL SPEED SE	More than 64 km/h (40 MPH)
Shift lever	Suitable position

6. Check 1st trip DTC.
7. If 1st trip DTC is detected, go to [EC-525, "Diagnostic Procedure"](#).

Overall Function Check

NBS000GF

Use this procedure to check the overall function of the park/neutral position (PNP) switch circuit. During this check, a 1st trip DTC might not be confirmed.

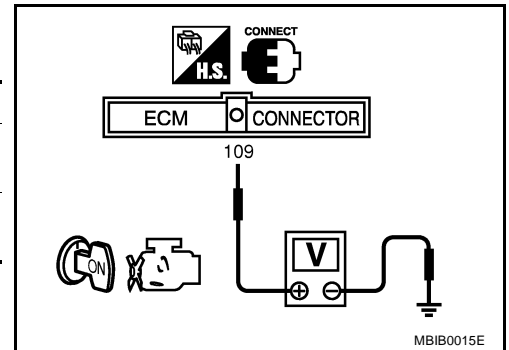
DTC P0850 PNP SWITCH

WITH GST

1. Turn ignition switch ON.
2. Check voltage between ECM terminal 109 (PNP switch signal) and ground under the following conditions.

Condition (Shift lever)	Voltage V (Known-good data)
P or N position (A/T) Neutral position (M/T)	Approx. 0
Except above position	BATTERY VOLTAGE (11 - 14V)

3. If NG, go to [EC-525, "Diagnostic Procedure"](#) .



A
EC
C
D
E
F
G
H
I
J
K
L
M

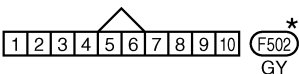
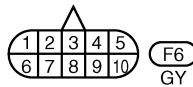
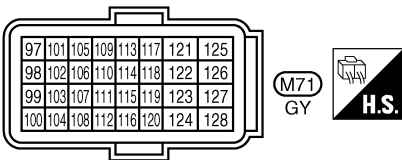
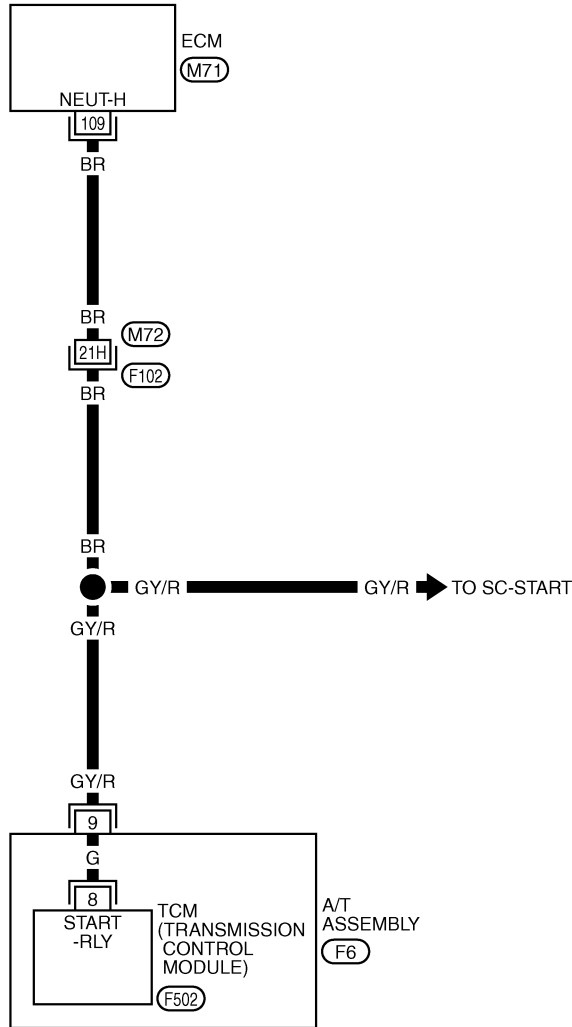
DTC P0850 PNP SWITCH

NBS000GG

Wiring Diagram A/T MODELS

EC-PNP/SW-01

: DETECTABLE LINE FOR DTC
 : NON-DETECTABLE LINE FOR DTC



*: THIS CONNECTOR IS NOT SHOWN IN "HARNESS LAYOUT", PG SECTION.

REFER TO THE FOLLOWING.

F102 -SUPER MULTIPLE JUNCTION (SMJ)

TBWT1654E

DTC P0850 PNP SWITCH

Specification data are reference values and are measured between each terminal and ground.

CAUTION:

Do not use ECM ground terminals when measuring input/output voltage. Doing so may result in damage to the ECM's transistor. Use a ground other than ECM terminals, such as the ground.

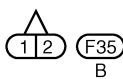
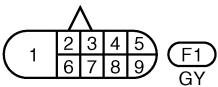
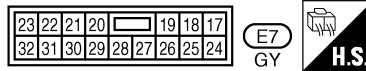
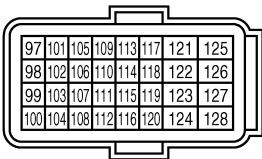
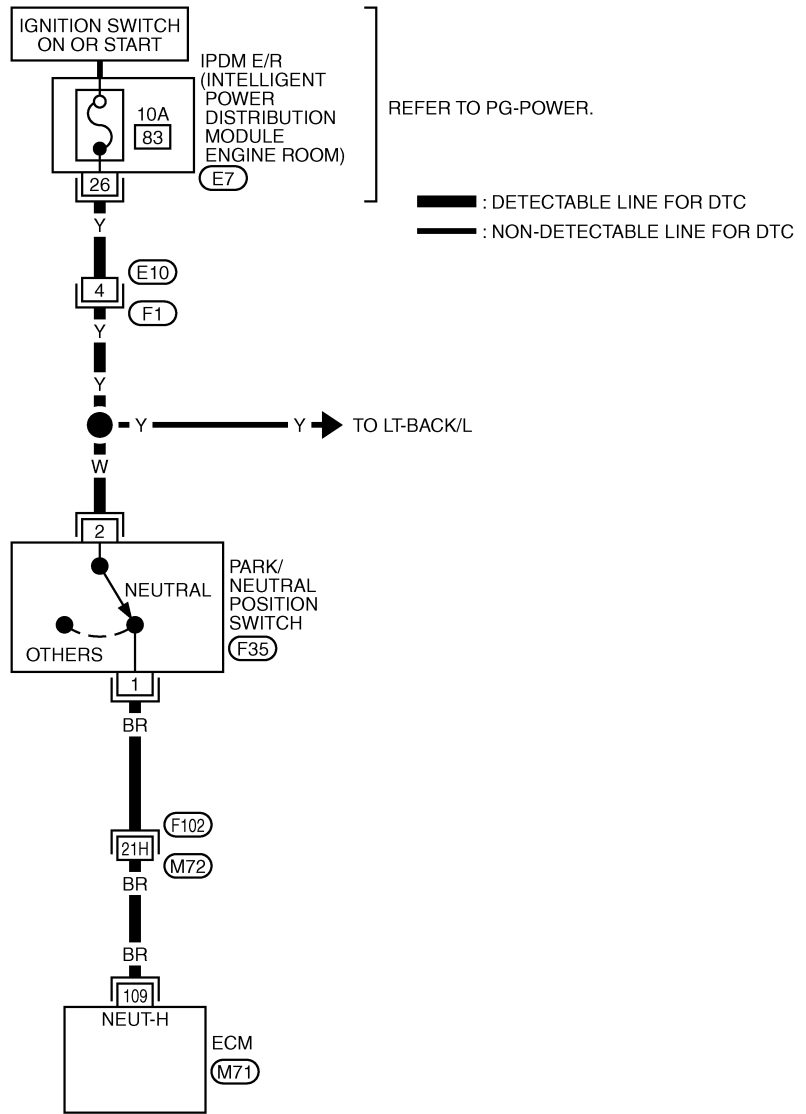
TER-MINAL NO.	WIRE COLOR	ITEM	CONDITION	DATA (DC Voltage)
109	BR	PNP switch	[Ignition switch: ON] ● Shift lever: P or N position	BATTERY VOLTAGE (11 - 14V)
			[Ignition switch: ON] ● Shift lever: Except above position	0V

A
EC
C
D
E
F
G
H
I
J
K
L
M

DTC P0850 PNP SWITCH

M/T MODELS

EC-PNP/SW-02



REFER TO THE FOLLOWING.
(F102) -SUPER MULTIPLE JUNCTION (SMJ)

TBWT1655E

DTC P0850 PNP SWITCH

Specification data are reference values and are measured between each terminal and ground.

CAUTION:

Do not use ECM ground terminals when measuring input/output voltage. Doing so may result in damage to the ECM's transistor. Use a ground other than ECM terminals, such as the ground.

TER-MINAL NO.	WIRE COLOR	ITEM	CONDITION	DATA (DC Voltage)
109	BR	PNP switch	[Ignition switch: ON] ● Shift lever: Neutral position	BATTERY VOLTAGE (11 - 14V)
			[Ignition switch: ON] ● Shift lever: Except above position	0V

Diagnostic Procedure

NBS000GH

A/T MODELS

1. CHECK DTC WITH TCM

Refer to [AT-37, "OBD-II Diagnostic Trouble Code \(DTC\)"](#) .

OK or NG

OK >> GO TO 2.

NG >> Repair or replace.

2. CHECK STARTING SYSTEM

Turn ignition switch OFF, then turn it to START.

Does starter motor operate?

Yes or No

Yes >> GO TO 3.

No >> Refer to [SC-8, "STARTING SYSTEM"](#) .

3. CHECK PNP SWITCH INPUT SIGNAL CIRCUIT FOR OPEN AND SHORT

1. Turn ignition switch OFF.
2. Disconnect A/T assembly harness connector.
3. Disconnect ECM harness connector.
4. Check harness continuity between A/T assembly terminal 9 and ECM terminal 109.
Refer to Wiring Diagram.

Continuity should exist.

5. Also check harness for short to ground and short to power.

OK or NG

OK >> GO TO 5.

NG >> GO TO 4.

4. DETECT MALFUNCTIONING PART

Check the following.

- Harness connectors F102, M72
- Harness for open or short between A/T assembly and ECM.

>> Repair open circuit or short to ground or short to power in harness or connectors.

DTC P0850 PNP SWITCH

5. CHECK PNP SWITCH INPUT SIGNAL CIRCUIT FOR OPEN AND SHORT-II

1. Check harness continuity between A/T assembly terminal 9 and TCM terminal 8.
Refer to [AT-97, "DTC P0615 START SIGNAL CIRCUIT"](#) .

Continuity should exist.

2. Also check harness for short to ground and short to power.

OK or NG

OK >> GO TO 6.

NG >> Repair open circuit or short to ground or short to power in harness connectors.

6. CHECK INTERMITTENT INCIDENT

Refer to [EC-141, "TROUBLE DIAGNOSIS FOR INTERMITTENT INCIDENT"](#) .

>> **INSPECTION END**

M/T MODELS

1. CHECK PNP SWITCH POWER SUPPLY CIRCUIT

1. Turn ignition switch OFF.
2. Disconnect park/neutral position (PNP) switch harness connector.
3. Turn ignition switch ON.
4. Check the voltage between PNP switch terminal 2 and ground with CONSULT-III or tester.

Voltage: Battery voltage

OK or NG

OK >> GO TO 3

NG >> GO TO 2.

2. DETECT MALFUNCTIONING PART

Check the following.

- Harness connector E10, F1
- 10A fuse
- IPDM harness connector E7
- Harness for open or short between ECM and fuse

>> Repair open circuit or short to ground or short to power in harness or connectors.

3. CHECK PNP SWITCH INPUT SIGNAL CIRCUIT FOR OPEN AND SHORT

1. Turn ignition switch OFF.
2. Disconnect ECM harness connector.
3. Check harness continuity between ECM terminal 109 and PNP switch terminal 1.
Refer to Wiring Diagram.

Continuity should exist.

4. Also check harness for short to ground and short to power.

OK or NG

OK >> GO TO 5.

NG >> GO TO 4.

DTC P0850 PNP SWITCH

4. DETECT MALFUNCTIONING PART

Check the following.

- Harness connector F102, M72
- Harness for open or short between PNP switch and ECM

>> Repair open circuit or short to ground or short to power in harness or connectors.

5. CHECK PNP SWITCH

Refer to [MT-11, "PARK/NEUTRAL POSITION SWITCH"](#) .

OK or NG

- OK >> GO TO 6.
- NG >> Replace PNP switch.

6. CHECK INTERMITTENT INCIDENT

Refer to [EC-141, "TROUBLE DIAGNOSIS FOR INTERMITTENT INCIDENT"](#) .

OK or NG

- OK >> Replace IPDM E/R.
- NG >> Repair open circuit or short to ground or short to power in harness or connectors.

A

EC

C

D

E

F

G

H

I

J

K

L

M

DTC P1078 P1084 EVT CONTROL POSITION SENSOR

DTC P1078 P1084 EVT CONTROL POSITION SENSOR

PFP:23731

Component Description

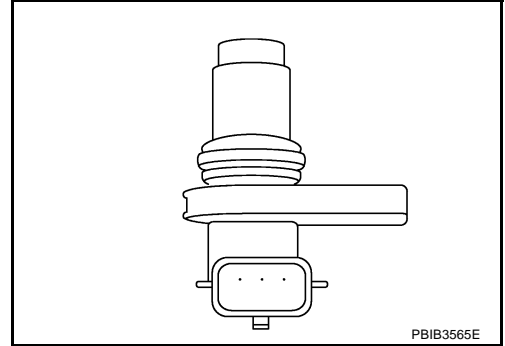
NBS000BJ

Exhaust valve timing control position sensor detects the concave groove of the exhaust camshaft rear end.

This sensor signal is used for sensing a position of the exhaust camshaft.

This sensor uses a Hall IC.

Based on the position of the exhaust camshaft, ECM controls exhaust valve timing control magnet retarder to optimize the shut/open timing of exhaust valve for the driving condition.



CONSULT-III Reference Value in Data Monitor Mode

NBS000BK

Specification data are reference values.

MONITOR ITEM	CONDITION		SPECIFICATION
EXH/V TIM B1 EXH/V TIM B2	<ul style="list-style-type: none">● Engine: After warming up● Shift lever: P or N (A/T), Neutral (M/T) position● Air conditioner switch: OFF● No load	Idle	-5° - 5°CA
		Around 2,500 rpm while the engine speed is rising	Approx. 0° - 30°CA

On Board Diagnosis Logic

NBS000BL

NOTE:

If DTC P1078 is displayed with DTC P0643, first perform the trouble diagnosis for DTC P0643.

Refer to [EC-514, "DTC P0643 SENSOR POWER SUPPLY"](#) .

DTC P1078 P1084 EVT CONTROL POSITION SENSOR

DTC No.	Trouble diagnosis name	DTC detecting condition	Possible cause
P1078 1078 (Bank 1)	Exhaust valve timing control position sensor circuit	An excessively high or low voltage from the sensor is sent to ECM.	<ul style="list-style-type: none"> ● Harness or connectors [Exhaust valve timing control position sensor (bank 1) circuit is open or shorted] ● Exhaust valve timing control position sensor (bank 1) ● Crankshaft position sensor (POS) ● Camshaft position sensor (PHASE) (bank 1) ● Accumulation of debris to the signal pick-up portion of the camshaft
P1084 1084 (Bank 2)			<ul style="list-style-type: none"> ● Harness or connectors [EVT control position sensor (bank 2) circuit is shorted.] [CKP sensor (POS) circuit is shorted.] [CMP sensor (PHASE) (bank 2) circuit is open or shorted.] (APP sensor 2 circuit is shorted.) (EVAP control system pressure sensor circuit is shorted.) (Refrigerant pressure sensor circuit is shorted.) ● Exhaust valve timing control position sensor (bank 2) ● Crankshaft position sensor (POS) ● Camshaft position sensor (PHASE) (bank 2) ● Accelerator pedal position sensor ● EVAP control system pressure sensor ● Refrigerant pressure sensor ● Accumulation of debris to the signal pick-up portion of the camshaft

A
EC
C
D
E
F
G
H
I
J
K
L
M

DTC Confirmation Procedure

NBS000BM

NOTE:

If DTC Confirmation Procedure has been previously conducted, always turn ignition switch OFF and wait at least 10 seconds before conducting the next test.

WITH CONSULT-III

1. Start engine and let it idle for 10 seconds.
2. Check 1st trip DTC.
3. If 1st trip DTC is detected, go to [EC-534, "Diagnostic Procedure"](#) .

WITH GST

Follow the procedure WITH CONSULT-III above.

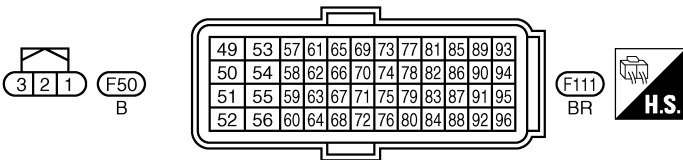
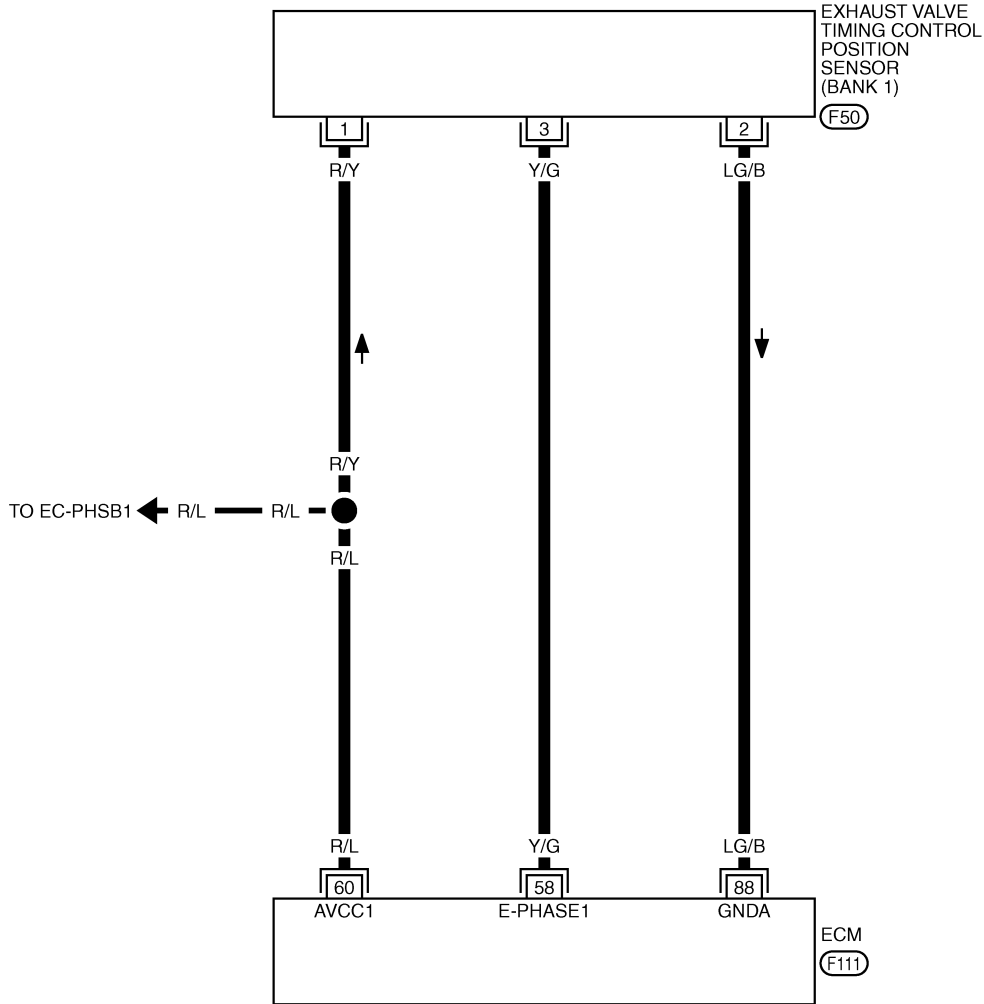
DTC P1078 P1084 EVT CONTROL POSITION SENSOR

NBS000BN

Wiring Diagram BANK 1

EC-EVCSB1-01

— : DETECTABLE LINE FOR DTC
— : NON-DETECTABLE LINE FOR DTC



TBWT1656E

DTC P1078 P1084 EVT CONTROL POSITION SENSOR

Specification data are reference values and are measured between each terminal and ground.
Pulse signal is measured by CONSULT-III.

CAUTION:

Do not use ECM ground terminals when measuring input/output voltage. Doing so may result in damage to the ECM's transistor. Use a ground other than ECM terminals, such as the ground.

TER-MINAL NO.	WIRE COLOR	ITEM	CONDITION	DATA (DC Voltage)
58	Y/G	Exhaust valve timing control position sensor (bank 1)	[Engine is running] <ul style="list-style-type: none"> ● Warm-up condition ● Idle speed NOTE: The pulse cycle changes depending on rpm at idle.	4.0 - 5.0V★
			[Engine is running] <ul style="list-style-type: none"> ● Warm-up condition ● Engine speed: 2,000 rpm 	4.0 - 5.0V★
60	R/L	Sensor power supply [Camshaft position sensor (PHASE) (bank 1), Exhaust valve timing control position sensor (bank 1), Power steering pressure sensor]	[Ignition switch: ON]	5V
88	LG/B	Sensor ground [Exhaust valve timing control position sensor (bank 1), Exhaust valve timing control position sensor (bank 2)]	[Engine is running] <ul style="list-style-type: none"> ● Warm-up condition ● Idle speed 	0V

★: Average voltage for pulse signal (Actual pulse signal can be confirmed by oscilloscope.)

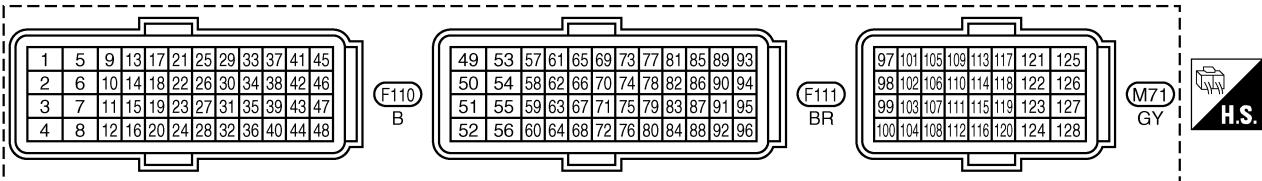
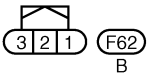
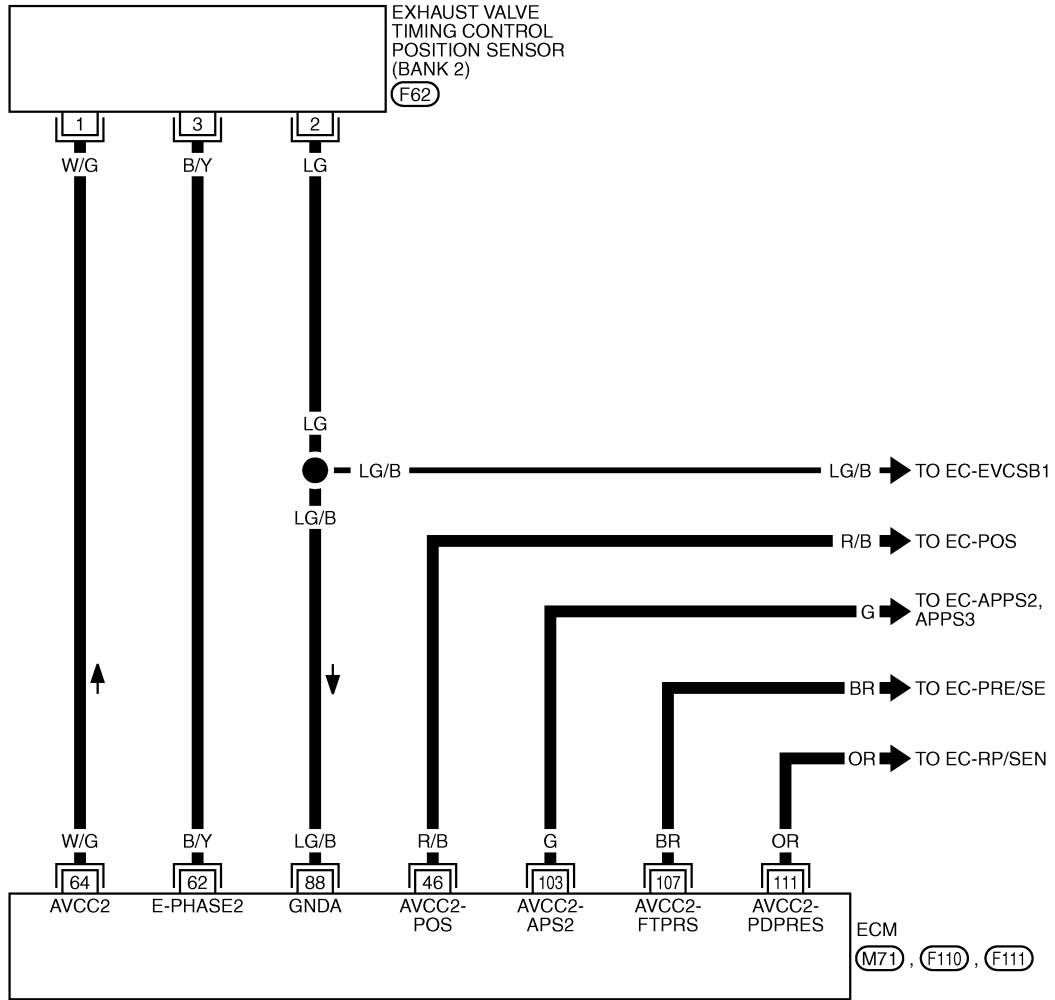
A
EC
C
D
E
F
G
H
I
J
K
L
M

DTC P1078 P1084 EVT CONTROL POSITION SENSOR

BANK 2

EC-EVCSB2-01

: DETECTABLE LINE FOR DTC
 : NON-DETECTABLE LINE FOR DTC



TBWT1657E

DTC P1078 P1084 EVT CONTROL POSITION SENSOR

Specification data are reference values and are measured between each terminal and ground.
Pulse signal is measured by CONSULT-III.

CAUTION:

Do not use ECM ground terminals when measuring input/output voltage. Doing so may result in damage to the ECM's transistor. Use a ground other than ECM terminals, such as the ground.

TER-MINAL NO.	WIRE COLOR	ITEM	CONDITION	DATA (DC Voltage)
46	R/B	Sensor power supply [Crankshaft position sensor (POS)]	[Ignition switch: ON]	5V
62	B/Y	Exhaust valve timing control position sensor (bank 2)	<p>[Engine is running]</p> <ul style="list-style-type: none"> ● Warm-up condition ● Idle speed <p>NOTE: The pulse cycle changes depending on rpm at idle.</p>	<p>4.0 - 5.0V★</p> <p style="text-align: right;">PBIB3551E</p>
			<p>[Engine is running]</p> <ul style="list-style-type: none"> ● Warm-up condition ● Engine speed: 2,000 rpm 	<p>4.0 - 5.0V★</p> <p style="text-align: right;">PBIB3552E</p>
64	W/G	Sensor power supply [Camshaft position sensor (PHASE) (bank 2), Exhaust valve timing control position sensor (bank 2)]	[Ignition switch: ON]	5V
88	LG/B	Sensor ground [Exhaust valve timing control position sensor (bank 1), Exhaust valve timing control position sensor (bank 2)]	<p>[Engine is running]</p> <ul style="list-style-type: none"> ● Warm-up condition ● Idle speed 	0V
103	G	Sensor power supply (Accelerator pedal position sensor 2)	[Ignition switch: ON]	5V
107	BR	Sensor power supply (EVAP control system pressure sensor)	[Ignition switch: ON]	5V
111	OR	Sensor power supply (Refrigerant pressure sensor)	[Ignition switch: ON]	5V

★: Average voltage for pulse signal (Actual pulse signal can be confirmed by oscilloscope.)

A
EC
C
D
E
F
G
H
I
J
K
L
M

DTC P1078 P1084 EVT CONTROL POSITION SENSOR

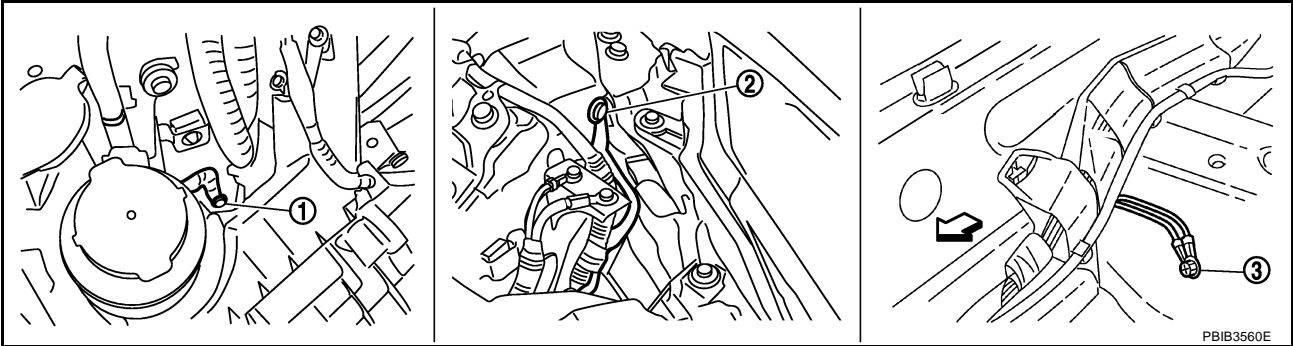
NBS000B0

Diagnostic Procedure

1. CHECK GROUND CONNECTIONS

Models with VDC system, navigation system or telephone

1. Turn ignition switch OFF.
2. Loosen and retighten ground screws on the body. Refer to [EC-150, "Ground Inspection"](#) .



1. Body ground E17

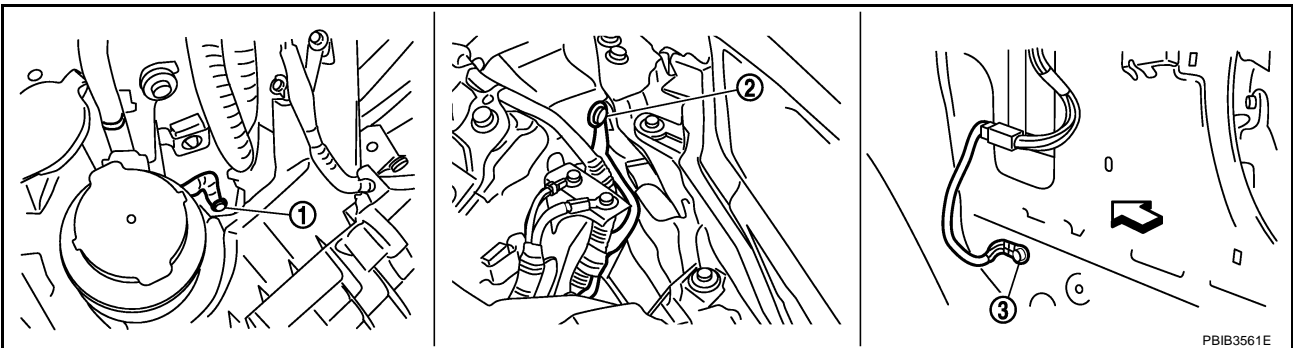
2. Body ground E43

3. Body ground B102

↔ Vehicle front

Models without VDC system, navigation system and telephone

1. Turn ignition switch OFF.
2. Loosen and retighten ground screws on the body. Refer to [EC-150, "Ground Inspection"](#) .



1. Body ground E17

2. Body ground E43

3. Body ground F152
(Passenger side view with dash side finisher removed)

↔ Vehicle front

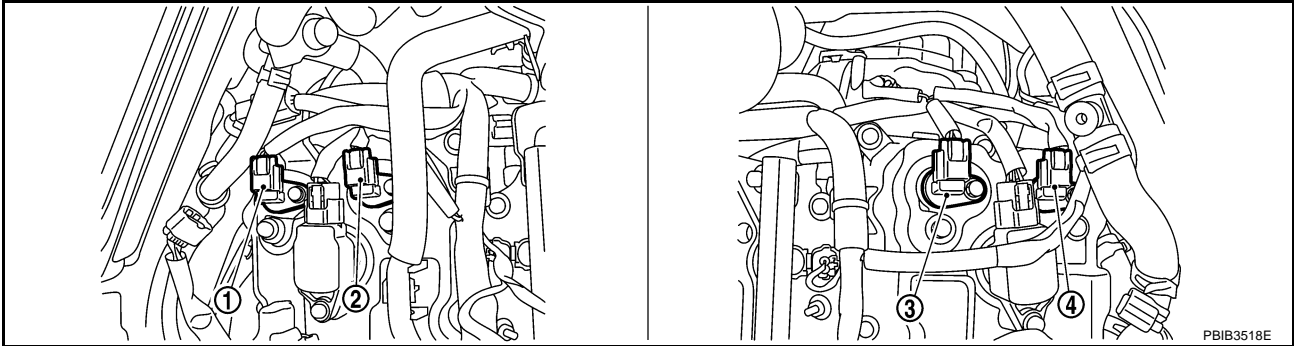
OK or NG

- OK >> GO TO 2.
NG >> Repair or replace ground connections.

DTC P1078 P1084 EVT CONTROL POSITION SENSOR

2. CHECK EXHAUST VALVE TIMING CONTROL POSITION SENSOR POWER SUPPLY CIRCUIT-I

1. Disconnect exhaust valve timing control position sensor harness connector.



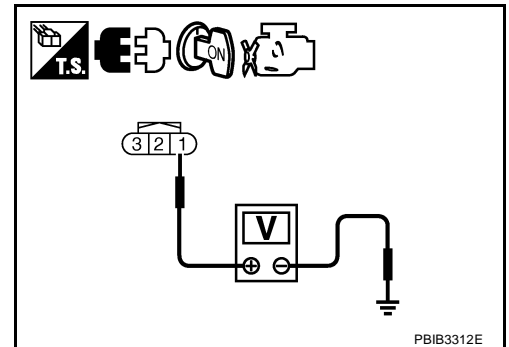
1. Exhaust valve timing control position sensor (bank 1)
2. Camshaft position sensor (PHASE) (bank 1)
3. Camshaft position sensor (PHASE) (bank 2)
4. Exhaust valve timing control position sensor (bank 2)

2. Turn ignition switch ON.
3. Check voltage between exhaust valve timing control position sensor terminal 1 and ground with CONSULT-III or tester.

Voltage: Approximately 5V

OK or NG

- OK >> GO TO 8.
- NG-1 >> P1078: Repair open circuit or short to ground or short to power in harness connector.
- NG-2 >> P1084: GO TO 3.



3. CHECK EXHAUST VALVE TIMING CONTROL POSITION SENSOR POWER SUPPLY CIRCUIT-II

1. Turn ignition switch OFF.
2. Disconnect ECM harness connector.
3. Check harness continuity between exhaust valve timing control position sensor terminal 1 and ECM terminal 64.
Refer to Wiring Diagram.

Continuity should exist.

OK or NG

- OK >> GO TO 4.
- NG >> Repair open circuit.

DTC P1078 P1084 EVT CONTROL POSITION SENSOR

4. CHECK EXHAUST VALVE TIMING CONTROL POSITION SENSOR POWER SUPPLY CIRCUIT-III

Check harness for short to power and short to ground, between the following terminals.

ECM terminal	Sensor terminal	Reference Wiring Diagram
46	CKP sensor (POS) terminal 1	EC-388
64	CMP sensor (PHASE) (bank 2) terminal 1	EC-399
	EVT control position sensor (bank 2) terminal 1	EC-532
103	APP sensor terminal 4	EC-643
107	EVAP control system pressure sensor terminal 3	EC-458
111	Refrigerant pressure sensor terminal 1	EC-711

OK or NG

OK >> GO TO 5.

NG >> Repair short to ground or short to power in harness or connectors.

5. CHECK COMPONENTS

Check the following.

- Crankshaft position sensor (POS) (Refer to [EC-393, "Component Inspection"](#) .)
- Camshaft position sensor (PHASE) (bank 2) (Refer to [EC-405, "Component Inspection"](#) .)
- EVAP control system pressure sensor (Refer to [EC-464, "Component Inspection"](#) .)
- Refrigerant pressure sensor (Refer to [ATC-80, "COMPONENT INSPECTION"](#) .)

OK or NG

OK >> GO TO 6.

NG >> Replace malfunctioning component.

6. CHECK APP SENSOR

Refer to [EC-648, "Component Inspection"](#) .

OK or NG

OK >> GO TO 14.

NG >> GO TO 7.

7. REPLACE ACCELERATOR PEDAL ASSEMBLY

1. Replace accelerator pedal assembly.
2. Perform [EC-77, "Accelerator Pedal Released Position Learning"](#) .
3. Perform [EC-77, "Throttle Valve Closed Position Learning"](#) .
4. Perform [EC-77, "Idle Air Volume Learning"](#) .

>> INSPECTION END

DTC P1078 P1084 EVT CONTROL POSITION SENSOR

8. CHECK EXHAUST VALVE TIMING CONTROL POSITION SENSOR GROUND CIRCUIT FOR OPEN AND SHORT

A

1. Turn ignition switch OFF.
2. Disconnect ECM harness connector.
3. Check harness continuity between exhaust valve timing control position sensor terminal 2 and ECM terminal 88. Refer to Wiring Diagram.

EC

Continuity should exist.

C

4. Also check harness for short to ground and short to power.

OK or NG

OK >> GO TO 9.

NG >> Repair open circuit or short to ground or short to power in harness or connectors..

D

9. CHECK EXHAUST VALVE TIMING CONTROL POSITION SENSOR INPUT SIGNAL CIRCUIT FOR OPEN AND SHORT

E

1. Check harness continuity between ECM terminal 58 (bank 1) or 62 (bank 2) and exhaust valve timing control position sensor terminal 3. Refer to Wiring Diagram.

F

Continuity should exist.

G

2. Also check harness for short to ground and short to power.

OK or NG

OK >> GO TO 10.

NG >> Repair open circuit or short to ground or short to power in harness or connectors.

H

10. CHECK EXHAUST VALVE TIMING CONTROL POSITION SENSOR

I

Refer to [EC-539, "Component Inspection"](#) .

OK or NG

OK >> GO TO 11.

NG >> Replace exhaust valve timing control position sensor.

J

11. CHECK CRANKSHAFT POSITION SENSOR (POS)

K

Refer to [EC-393, "Component Inspection"](#) .

OK or NG

OK >> GO TO 12.

NG >> Replace crankshaft position sensor (POS).

L

12. CHECK CAMSHAFT POSITION SENSOR (PHASE)

M

Refer to [EC-405, "Component Inspection"](#) .

OK or NG

OK >> GO TO 13.

NG >> Replace malfunctioning camshaft position sensor (PHASE).

DTC P1078 P1084 EVT CONTROL POSITION SENSOR

13. CHECK CAMSHAFT (EXH)

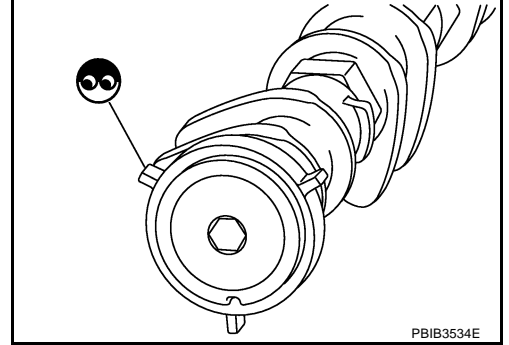
Check the following;

- Accumulation of debris to the signal plate of camshaft rear end
- Chipping signal plate of camshaft rear end

OK or NG

OK >> GO TO 14.

NG >> Remove debris and clean the signal plate of camshaft rear end or replace malfunctioning camshaft.



14. CHECK INTERMITTENT INCIDENT

Refer to [EC-141, "TROUBLE DIAGNOSIS FOR INTERMITTENT INCIDENT"](#) .

>> INSPECTION END

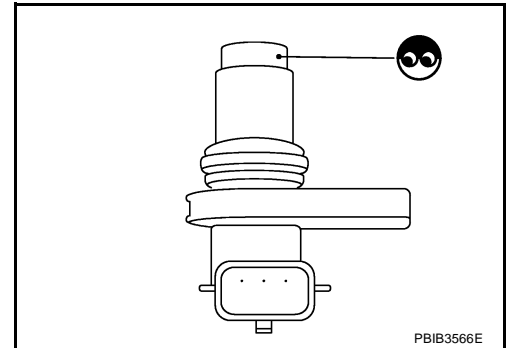
DTC P1078 P1084 EVT CONTROL POSITION SENSOR

Component Inspection

EXHAUST VALVE TIMING CONTROL POSITION SENSOR

NBS000BP

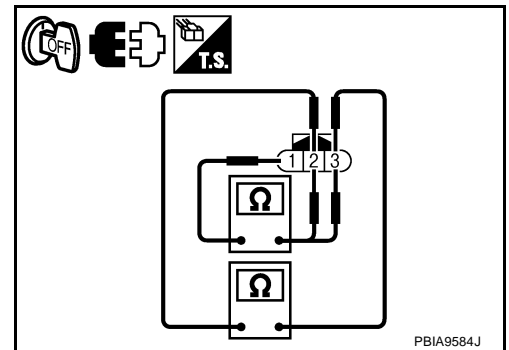
1. Disconnect exhaust valve timing control position sensor harness connector.
2. Loosen the fixing bolt of the sensor.
3. Remove the sensor.
4. Visually check the sensor for chipping.



5. Check resistance as shown below.

Terminal No. (Polarity)	Resistance Ω [at 25°C (77°F)]
1 (+) - 2 (-)	Except 0 or ∞
1 (+) - 3 (-)	
2 (+) - 3 (-)	

6. If NG, replace exhaust valve timing control position sensor.



Removal and Installation

EXHAUST VALVE TIMING CONTROL POSITION SENSOR

NBS000BQ

Refer to [EM-72, "CAMSHAFT"](#) .

DTC P1148, P1168 CLOSED LOOP CONTROL

DTC P1148, P1168 CLOSED LOOP CONTROL

PFP:22690

On Board Diagnosis Logic

NBS000D5

These self-diagnoses have the one trip detection logic.

DTC No.	Trouble diagnosis name	DTC detecting condition	Possible cause
P1148 1148 (Bank 1)	Closed loop control function	The closed loop control function for bank 1 does not operate even when vehicle is driving in the specified condition.	<ul style="list-style-type: none">● Harness or connectors [The air fuel ratio (A/F) sensor 1 circuit is open or shorted.]● Air fuel ratio (A/F) sensor 1● Air fuel ratio (A/F) sensor 1 heater
P1168 1168 (Bank 2)		The closed loop control function for bank 2 does not operate even when vehicle is driving in the specified condition.	

NOTE:

DTC P1148 or P1168 is displayed with another DTC for air fuel ratio (A/F) sensor 1. Perform the trouble diagnosis for the corresponding DTC.

DTC P1211 TCS CONTROL UNIT

DTC P1211 TCS CONTROL UNIT

PFP:47850

Description

NBS000D6

The malfunction information related to TCS is transferred through the CAN communication line from VDC/TCS/ABS control unit (with VDC models) or “ABS actuator and electric unit (control unit)” (without VDC models) to ECM.

Be sure to erase the malfunction information such as DTC not only for VDC/TCS/ABS control unit (with VDC models) or “ABS actuator and electric unit (control unit)” (without VDC models) but also for ECM after TCS related repair.

On Board Diagnosis Logic

NBS000D7

- Freeze frame data is not stored in the ECM for this self-diagnosis.
- The MIL will not light up for this self-diagnosis.

DTC No.	Trouble diagnosis name	DTC detecting condition	Possible cause
P1211 1211	TCS control unit	ECM receives a malfunction information from VDC/TCS/ABS control unit (with VDC models) or “ABS actuator and electric unit (control unit)” (without VDC models).	<ul style="list-style-type: none">● VDC/TCS/ABS control unit (with VDC models)● ABS actuator and electric unit (control unit) (without VDC models)● TCS related parts

DTC Confirmation Procedure

NBS000D8

TESTING CONDITION:

Before performing the following procedure, confirm that battery voltage is more than 10.5V at idle.

WITH CONSULT-III

1. Start engine and let it idle for at least 60 seconds.
2. Check 1st trip DTC.
3. If 1st trip DTC is detected, go to [EC-541, "Diagnostic Procedure"](#) .

WITH GST

Follow the procedure “WITH CONSULT-III” above.

Diagnostic Procedure

NBS000D9

Go to [BRC-82, "TROUBLE DIAGNOSIS"](#) (With VDC models) or [BRC-42, "TROUBLE DIAGNOSIS"](#) (Without VDC models).

DTC P1212 TCS COMMUNICATION LINE

DTC P1212 TCS COMMUNICATION LINE

PF:47850

Description

NBS000DA

NOTE:

- If DTC P1212 is displayed with DTC U1000 or U1001, first perform the trouble diagnosis for DTC U1000, U1001. Refer to [EC-151, "DTC U1000, U1001 CAN COMMUNICATION LINE"](#).
- If DTC P1212 is displayed with DTC U1010, first perform the trouble diagnosis for DTC U1010. Refer to [EC-154, "DTC U1010 CAN COMMUNICATION"](#).

This CAN communication line is used to control the smooth engine operation during the TCS operation. Pulse signals are exchanged between ECM and VDC/TCS/ABS control unit (with VDC models) or "ABS actuator and electric unit (control unit)" (without VDC models).

Be sure to erase the malfunction information such as DTC not only for VDC/TCS/ABS control unit (with VDC models) or "ABS actuator and electric unit (control unit)" (without VDC models) but also for ECM after TCS related repair.

On Board Diagnosis Logic

NBS000DB

- Freeze frame data is not stored in the ECM for this self-diagnosis.
- The MIL will not light up for this self-diagnosis.

DTC No.	Trouble diagnosis name	DTC detecting condition	Possible cause
P1212 1212	TCS communication line	ECM can not receive the information from VDC/TCS/ABS control unit (with VDC models) or "ABS actuator and electric unit (control unit)" (without VDC models) continuously.	<ul style="list-style-type: none">● Harness or connectors (The CAN communication line is open or shorted.)● VDC/TCS/ABS control unit (with VDC models)● ABS actuator and electric unit (control unit) (without VDC models)● Dead (Weak) battery

DTC Confirmation Procedure

NBS000DC

TESTING CONDITION:

Before performing the following procedure, confirm that battery voltage is more than 10.5V at idle.

WITH CONSULT-III

1. Start engine and let it idle for at least 10 seconds.
2. Check 1st trip DTC.
3. If 1st trip DTC is detected, go to [EC-542, "Diagnostic Procedure"](#).

WITH GST

Follow the procedure "WITH CONSULT-III" above.

Diagnostic Procedure

NBS000DD

Go to [BRC-82, "TROUBLE DIAGNOSIS"](#) (With VDC models) or [BRC-42, "TROUBLE DIAGNOSIS"](#) (Without VDC models).

DTC P1217 ENGINE OVER TEMPERATURE

DTC P1217 ENGINE OVER TEMPERATURE

PFP:00000

Description SYSTEM DESCRIPTION

NBS000DE

NOTE:

- If DTC P1217 is displayed with DTC U1000 or U1001, first perform the trouble diagnosis for DTC U1000, U1001. Refer to [EC-151, "DTC U1000, U1001 CAN COMMUNICATION LINE"](#).
- If DTC P1217 is displayed with DTC U1010, first perform the trouble diagnosis for DTC U1010. Refer to [EC-154, "DTC U1010 CAN COMMUNICATION"](#).

Cooling Fan Control

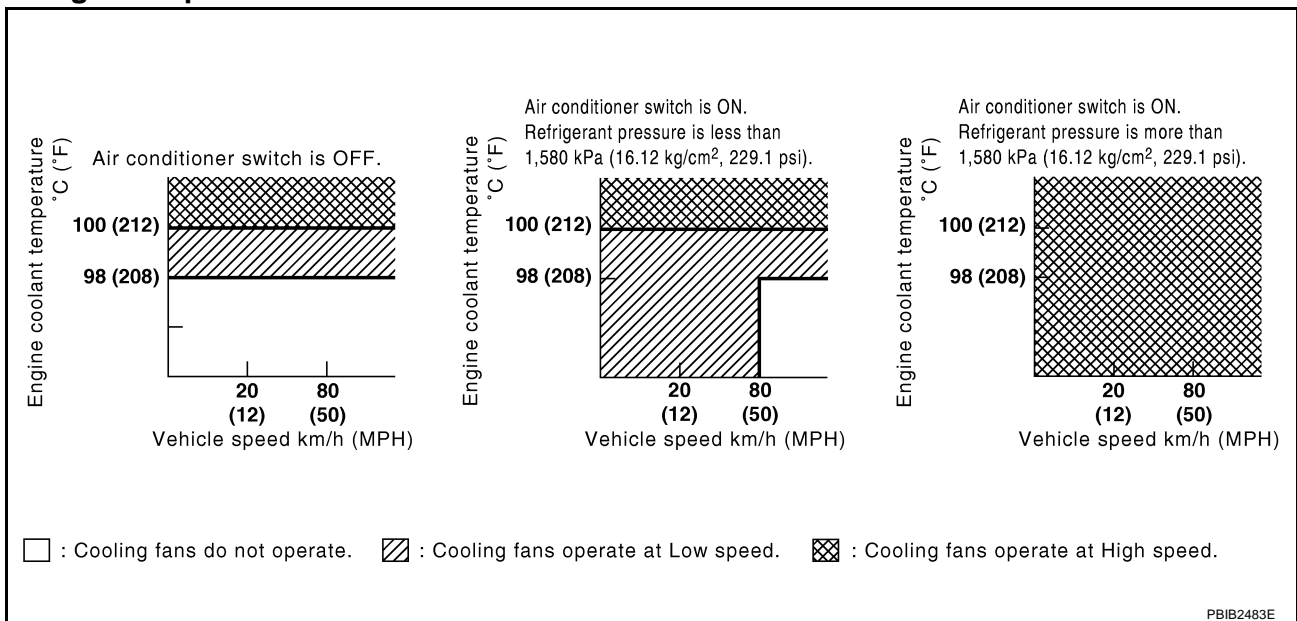
Sensor	Input Signal to ECM	ECM function	Actuator
Crankshaft position sensor (POS) Camshaft position sensor (PHASE)	Engine speed* ¹	Cooling fan control	IPDM E/R (Cooling fan relays)
Battery	Battery voltage* ¹		
Wheel sensor	Vehicle speed* ²		
Engine coolant temperature sensor	Engine coolant temperature		
Air conditioner switch	Air conditioner ON signal* ²		
Refrigerant pressure sensor	Refrigerant pressure		

*1: The ECM determines the start signal status by the signals of engine speed and battery voltage.

*2: This signal is sent to ECM through CAN communication line.

The ECM controls the cooling fan corresponding to the vehicle speed, engine coolant temperature, refrigerant pressure, and air conditioner ON signal. The control system has 3-step control [HIGH/LOW/OFF].

Cooling Fan Operation



DTC P1217 ENGINE OVER TEMPERATURE

Cooling Fan Relay Operation

The ECM controls cooling fan relays in the IPDM E/R through CAN communication line.

Cooling fan speed	Cooling fan relay		
	1	2	3
Stop	OFF	OFF	OFF
Low	ON	OFF	OFF
High	ON	ON	ON

COMPONENT DESCRIPTION

Cooling Fan Motor

The cooling fan operates at each speed when the current flows in the cooling fan motor as follows.

Cooling fan speed	Cooling fan motor terminals	
	(+)	(-)
Low	1	4
	2	3
High	1 and 2	3 and 4

CONSULT-III Reference Value in Data Monitor Mode

NBS000DF

Specification data are reference values.

MONITOR ITEM	CONDITION		SPECIFICATION
AIR COND SIG	<ul style="list-style-type: none"> Engine: After warming up, idle the engine 	Air conditioner switch: OFF	OFF
		Air conditioner switch: ON (Compressor operates.)	ON
COOLING FAN	<ul style="list-style-type: none"> Engine: After warming up, idle the engine Air conditioner switch: OFF 	Engine coolant temperature is 97°C (206°F) or less	OFF
		Engine coolant temperature is between 98°C (208°F) and 99°C (210°F)	LOW
		Engine coolant temperature is 100°C (212°F) or more	HI

On Board Diagnosis Logic

NBS000DG

If the cooling fan or another component in the cooling system malfunctions, engine coolant temperature will rise.

When the engine coolant temperature reaches an abnormally high temperature condition, a malfunction is indicated.

This self-diagnosis has the one trip detection logic.

DTC No.	Trouble diagnosis name	DTC detecting condition	Possible cause
P1217 1217	Engine over temperature (Overheat)	<ul style="list-style-type: none"> Cooling fan does not operate properly (Overheat). Cooling fan system does not operate properly (Overheat). Engine coolant was not added to the system using the proper filling method. Engine coolant is not within the specified range. 	<ul style="list-style-type: none"> Harness or connectors (The cooling fan circuit is open or shorted.) Cooling fan IPDM E/R (Cooling fan relays) Radiator hose Radiator Radiator cap Water pump Thermostat <p>For more information, refer to EC-555, "Main 12 Causes of Overheating".</p>

DTC P1217 ENGINE OVER TEMPERATURE

CAUTION:

When a malfunction is indicated, be sure to replace the coolant. Refer to [CO-10, "Changing Engine Coolant"](#) . Also, replace the engine oil. Refer to [LU-7, "Changing Engine Oil"](#) .

1. Fill radiator with coolant up to specified level with a filling speed of 2 liters per minute. Be sure to use coolant with the proper mixture ratio. Refer to [MA-12, "ANTI-FREEZE COOLANT MIXTURE RATIO"](#) .
2. After refilling coolant, run engine to ensure that no water-flow noise is emitted.

Overall Function Check

NBS000DH

Use this procedure to check the overall function of the cooling fan. During this check, a DTC might not be confirmed.

WARNING:

Never remove the radiator cap when the engine is hot. Serious burns could be caused by high pressure fluid escaping from the radiator.

Wrap a thick cloth around cap. Carefully remove the cap by turning it a quarter turn to allow built-up pressure to escape. Then turn the cap all the way off.

WITH CONSULT-III

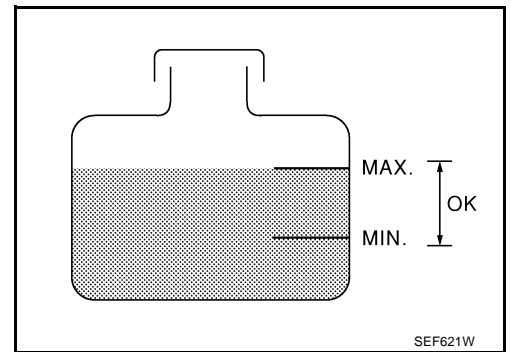
1. Check the coolant level in the reservoir tank and radiator.

NOTE:

Allow engine to cool before checking coolant level.

If the coolant level in the reservoir tank and/or radiator is below the proper range, skip the following steps and go to [EC-549, "Diagnostic Procedure"](#) .

2. Confirm whether customer filled the coolant or not. If customer filled the coolant, skip the following steps and go to [EC-549, "Diagnostic Procedure"](#) .
3. Turn ignition switch ON.
4. Perform "COOLING FAN" in "ACTIVE TEST" mode with CONSULT-III.
5. If the results are NG, go to [EC-549, "Diagnostic Procedure"](#) .



WITH GST

1. Check the coolant level in the reservoir tank and radiator.

NOTE:

Allow engine to cool before checking coolant level.

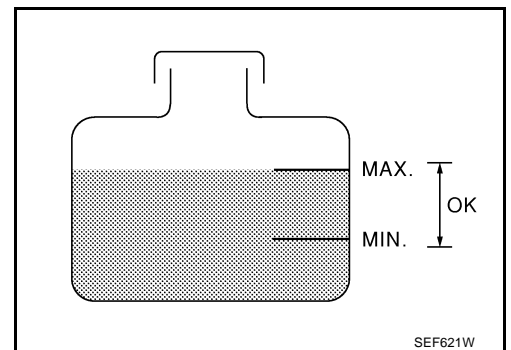
If the coolant level in the reservoir tank and/or radiator is below the proper range, skip the following steps and go to [EC-549, "Diagnostic Procedure"](#) .

2. Confirm whether customer filled the coolant or not. If customer filled the coolant, skip the following steps and go to [EC-549, "Diagnostic Procedure"](#) .
3. Start engine.

CAUTION:

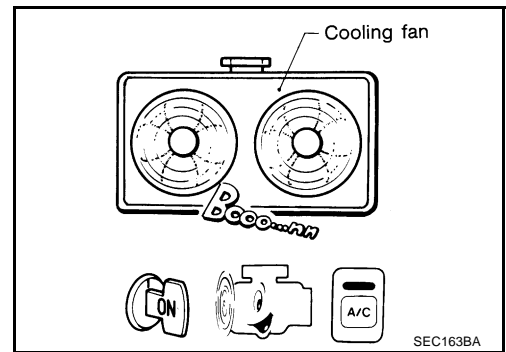
Be careful not to overheat engine.

4. Turn air conditioner switch ON.
5. Turn blower fan switch ON.



DTC P1217 ENGINE OVER TEMPERATURE

6. Make sure that cooling fans operates at low speed.
If NG, go to [EC-549. "Diagnostic Procedure"](#) .
If OK, go to the following steps.
7. Turn ignition switch OFF.
8. Turn air conditioner switch and blower fan switch OFF.
9. Disconnect engine coolant temperature sensor harness connector.
10. Connect 150Ω resistor to engine coolant temperature sensor harness connector.

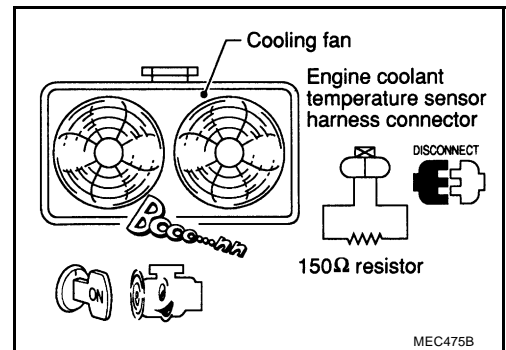


11. Restart engine and make sure that cooling fans operates at higher speed than low speed.

CAUTION:

Be careful not to overheat engine.

12. If NG, go to [EC-549. "Diagnostic Procedure"](#) .








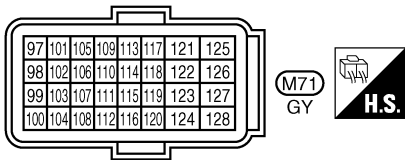
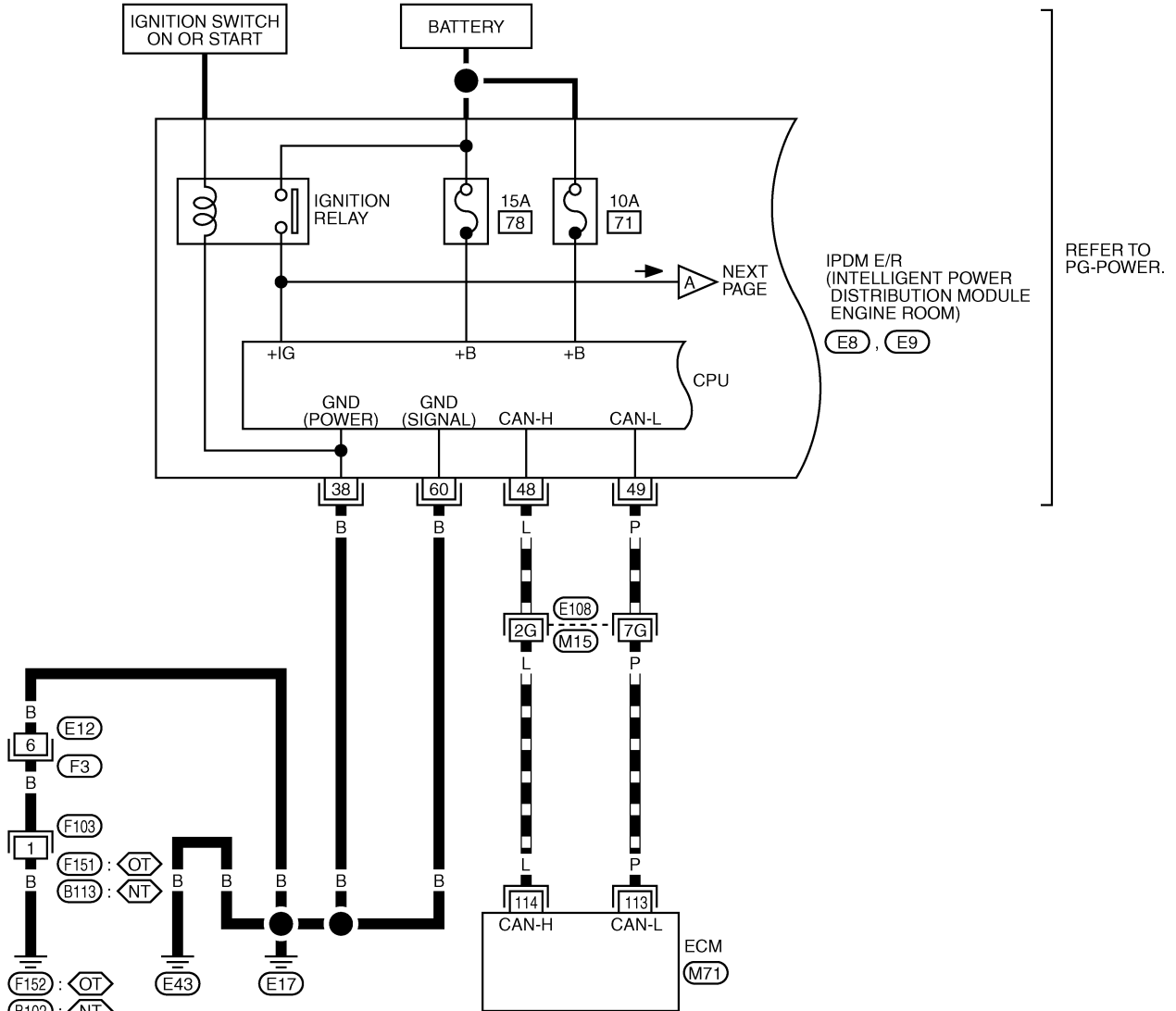
DTC P1217 ENGINE OVER TEMPERATURE

Wiring Diagram

NBS000DI

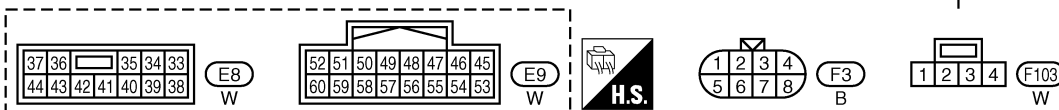
EC-COOL/F-01

-  : DETECTABLE LINE FOR DTC
-  : NON-DETECTABLE LINE FOR DTC
-  : DATA LINE
-  : WITH VDC SYSTEM, NAVIGATION SYSTEM OR TELEPHONE
-  : WITHOUT VDC SYSTEM, NAVIGATION SYSTEM AND TELEPHONE



REFER TO THE FOLLOWING.

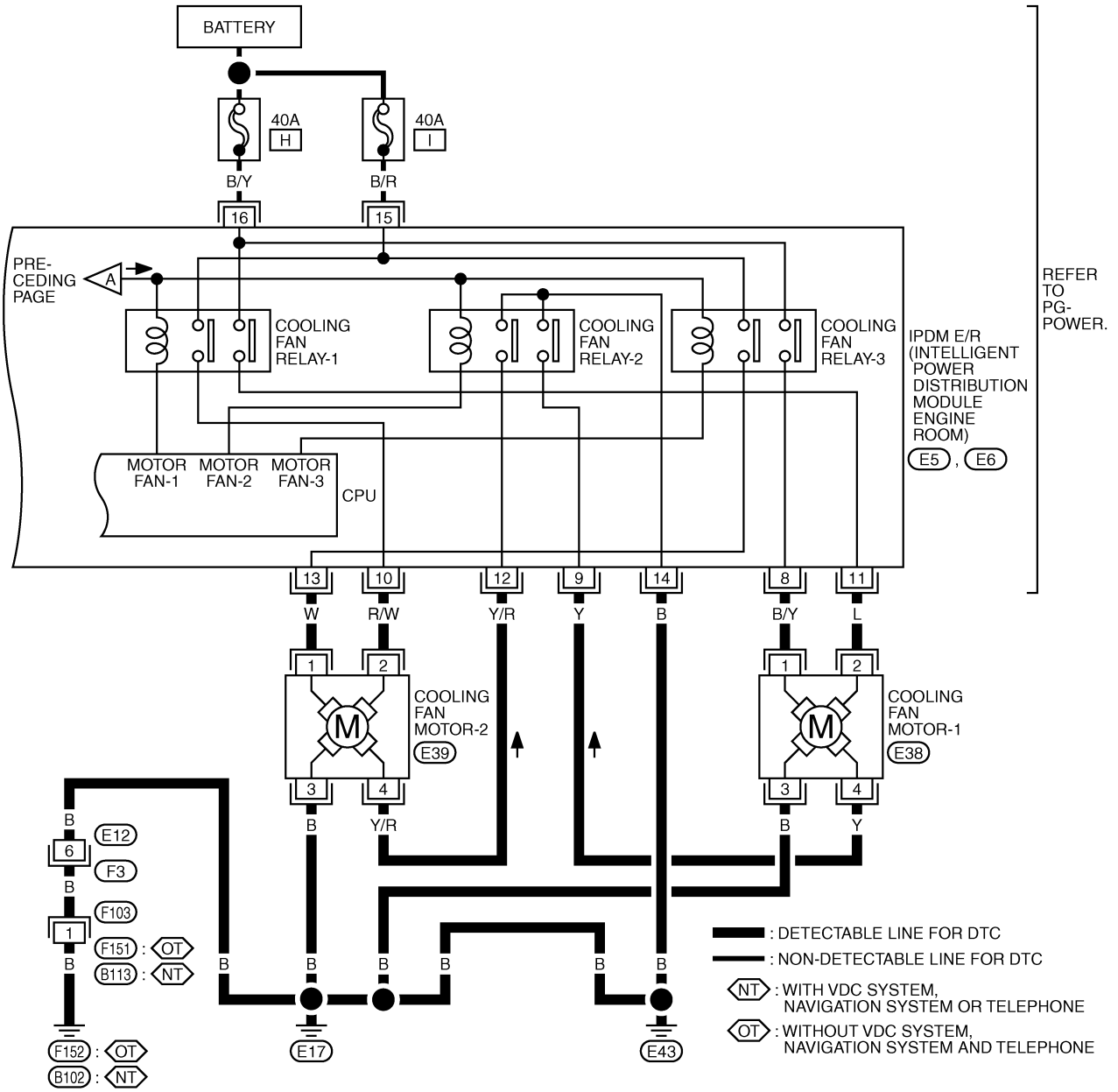
E108 -SUPER MULTIPLE JUNCTION (SMJ)



TBWT1658E

DTC P1217 ENGINE OVER TEMPERATURE

EC-COOL/F-02



TBWT1659E

DTC P1217 ENGINE OVER TEMPERATURE

NBS000DJ

Diagnostic Procedure

1. INSPECTION START

Do you have CONSULT-III?

Yes or No

- Yes >> GO TO 2.
- No >> GO TO 4.

2. CHECK COOLING FAN LOW SPEED OPERATION

① With CONSULT-III

1. Start engine and let it idle.
2. Select "COOLING FAN" in "ACTIVE TEST" mode with CONSULT-III and touch "LOW" on the CONSULT-III screen.
3. Make sure that cooling fans-1 and -2 operate at low speed.

OK or NG

- OK >> GO TO 3.
- NG >> Check cooling fan low speed control circuit. (Go to [EC-551, "PROCEDURE A"](#) .)

3. CHECK COOLING FAN HIGH SPEED OPERATION

① With CONSULT-III

1. Touch "HIGH" on the CONSULT-III screen.
2. Make sure that cooling fans-1 and -2 operate at higher speed than low speed.

OK or NG

- OK >> GO TO 6.
- NG >> Check cooling fan high speed control circuit. (Go to [EC-554, "PROCEDURE B"](#) .)

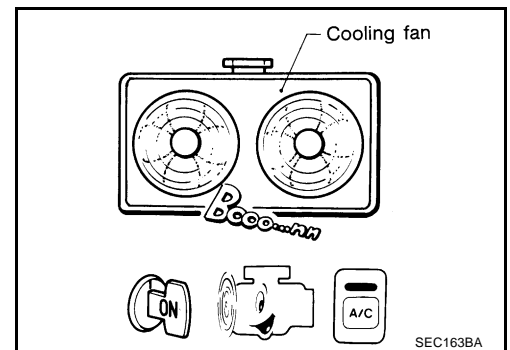
4. CHECK COOLING FAN LOW SPEED OPERATION

⊗ Without CONSULT-III

1. Start engine and let it idle.
2. Turn air conditioner switch ON.
3. Turn blower fan switch ON.
4. Make sure that cooling fans-1 and -2 operate at low speed.

OK or NG

- OK >> GO TO 5.
- NG >> Check cooling fan low speed control circuit. (Go to [EC-551, "PROCEDURE A"](#) .)



DTC P1217 ENGINE OVER TEMPERATURE

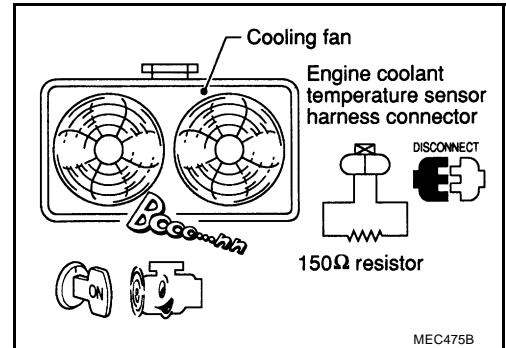
5. CHECK COOLING FAN HIGH SPEED OPERATION

⊗ Without CONSULT-III

1. Turn ignition switch OFF.
2. Turn air conditioner switch and blower fan switch OFF.
3. Disconnect engine coolant temperature sensor harness connector.
4. Connect 150Ω resistor to engine coolant temperature sensor harness connector.
5. Restart engine and make sure that cooling fans-1 and -2 operate at higher speed than low speed.

OK or NG

- OK >> GO TO 6.
NG >> Check cooling fan high speed control circuit. (Go to [EC-554, "PROCEDURE B"](#) .)



6. CHECK COOLING SYSTEM FOR LEAK

Refer to [CO-10, "LEAK CHECK"](#) .

OK or NG

- OK >> GO TO 7.
NG >> Check the following for leak.
- Hose
 - Radiator
 - Water pump

7. CHECK RADIATOR CAP

Refer to [CO-15, "Checking Radiator Cap"](#) .

OK or NG

- OK >> GO TO 8.
NG >> Replace radiator cap.

8. CHECK THERMOSTAT

Refer to [CO-26, "WATER INLET AND THERMOSTAT ASSEMBLY"](#) .

OK or NG

- OK >> GO TO 9.
NG >> Replace thermostat

9. CHECK ENGINE COOLANT TEMPERATURE SENSOR

Refer to [EC-228, "Component Inspection"](#) .

OK or NG

- OK >> GO TO 10.
NG >> Replace engine coolant temperature sensor.

10. CHECK MAIN 12 CAUSES

If the cause cannot be isolated, go to [EC-555, "Main 12 Causes of Overheating"](#) .

>> INSPECTION END

DTC P1217 ENGINE OVER TEMPERATURE

PROCEDURE A

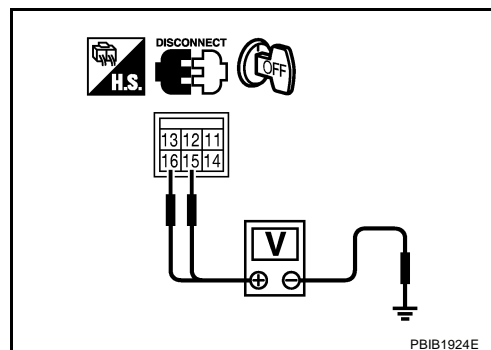
1. CHECK POWER SUPPLY CIRCUIT

1. Turn ignition switch OFF.
2. Disconnect IPDM E/R harness connector E6.
3. Check voltage between IPDM E/R terminals 15, 16 and ground with CONSULT-III or tester.

Voltage: Battery voltage

OK or NG

- OK >> GO TO 3.
- NG >> GO TO 2.



2. DETECT MALFUNCTIONING PART

Check the following.

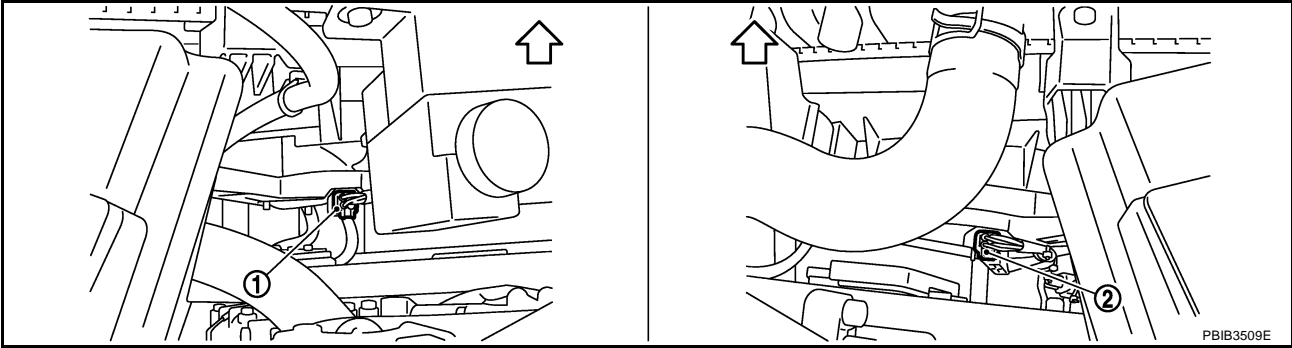
- 40A fusible links
- Harness for open or short between IPDM E/R and battery

>> Repair open circuit or short to ground or short to power in harness or connectors.

DTC P1217 ENGINE OVER TEMPERATURE

3. CHECK COOLING FAN MOTORS CIRCUIT

1. Disconnect cooling fan motor-1 harness connector and cooling fan motor-2 harness connector.



1. Cooling fan motor-1

2. Cooling fan motor-2

↔: Vehicle front

2. Disconnect all IPDM E/R harness connectors.
3. Check harness continuity between the following;
cooling fan motor-1 terminal 2 and IPDM E/R terminal 11,
cooling fan motor-1 terminal 3 and ground,
IPDM E/R terminal 38, 60 and ground,
Refer to wiring diagram.

Continuity should exist.

4. Check harness continuity between the following;
cooling fan motor-2 terminal 2 and IPDM E/R terminal 10,
cooling fan motor-2 terminal 3 and ground.
Refer to wiring diagram.

Continuity should exist.

5. Also check harness for short to ground and short to power.

OK or NG

OK >> GO TO 5.
NG >> GO TO 4.

4. DETECT MALFUNCTIONING PART

Check the following.

- Harness connector E12, F3
- Harness connectors F103, B113 (Models with VDC system, navigation system or telephone) or F151 (Models without VDC system, navigation system and telephone)
- Harness for open or short between cooling fan motors-1, 2 and IPDM E/R
- Harness for open or short between cooling fan motors-1, 2 and ground
- Harness for open or short between IPDM E/R and ground

>> Repair open circuit or short to ground or short to power in harness or connectors.

5. CHECK COOLING FAN MOTORS

Refer to [EC-556, "Component Inspection"](#).

OK or NG

OK >> GO TO 6.
NG >> Replace malfunctioning cooling fan motors.

DTC P1217 ENGINE OVER TEMPERATURE

6. CHECK INTERMITTENT INCIDENT

Perform [EC-141, "TROUBLE DIAGNOSIS FOR INTERMITTENT INCIDENT"](#) .

OK or NG

- OK >> Replace IPDM E/R. Refer to [PG-16, "IPDM E/R \(INTELLIGENT POWER DISTRIBUTION MODULE ENGINE ROOM\)"](#) .
- NG >> Repair or replace harness or connector.

A

EC

C

D

E

F

G

H

I

J

K

L

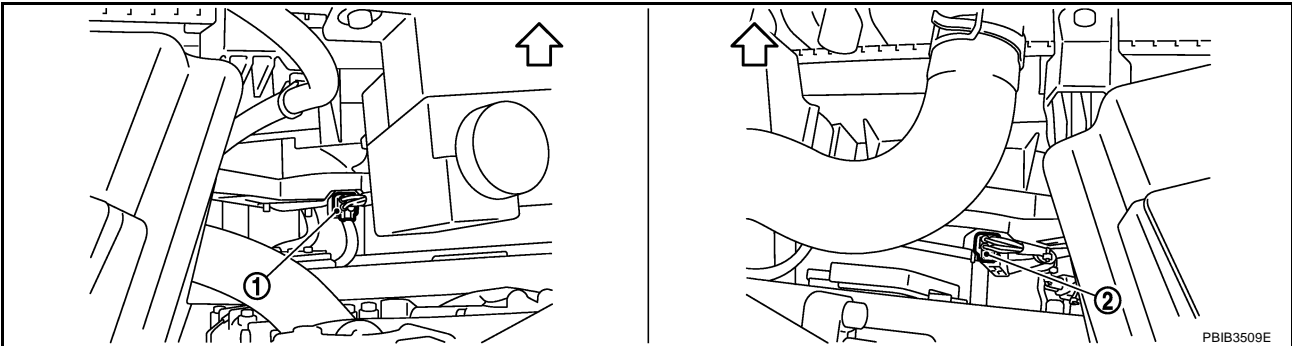
M

DTC P1217 ENGINE OVER TEMPERATURE

PROCEDURE B

1. CHECK COOLING FAN MOTORS CIRCUIT

1. Turn ignition switch OFF.
2. Disconnect cooling fan motor-1 harness connector and cooling fan motor-2 harness connector.



1. Cooling fan motor-1 2. Cooling fan motor-2

↔ Vehicle front

3. Disconnect all IPDM E/R harness connectors.
4. Check harness continuity between the following;
cooling fan motor-1 terminal 1 and IPDM E/R terminal 8,
cooling fan motor-1 terminal 4 and IPDM E/R terminal 9,
IPDM E/R terminal 14 and ground,
Refer to wiring diagram.

Continuity should exist.

5. Also check harness connector for short to ground or short to power.
6. Check harness continuity between the following;
cooling fan motor-2 terminal 1 and IPDM E/R terminal 13,
cooling fan motor-2 terminal 4 and IPDM E/R terminal 12,
Refer to wiring diagram.

Continuity should exist.

7. Also check harness for short to ground and short to power.

OK or NG

- OK >> GO TO 3.
NG >> GO TO 2.

2. DETECT MALFUNCTIONING PART

Check the following.

- Harness for open or short between cooling fan motors-1, 2 and IPDM E/R
- Harness for open or short between IPDM E/R and ground

>> Repair open circuit or short to ground or short to power in harness or connectors.

3. CHECK COOLING FAN MOTORS

Refer to [EC-556. "Component Inspection"](#).

OK or NG

- OK >> GO TO 4.
NG >> Replace malfunctioning cooling fan motors.

DTC P1217 ENGINE OVER TEMPERATURE

4. CHECK INTERMITTENT INCIDENT

Perform [EC-141, "TROUBLE DIAGNOSIS FOR INTERMITTENT INCIDENT"](#) .

OK or NG

OK >> Replace IPDM E/R. Refer to [PG-16, "IPDM E/R \(INTELLIGENT POWER DISTRIBUTION MODULE ENGINE ROOM\)"](#) .

NG >> Repair or replace harness or connectors.

Main 12 Causes of Overheating

NBS000DK

Engine	Step	Inspection item	Equipment	Standard	Reference page
OFF	1	<ul style="list-style-type: none"> ● Blocked radiator ● Blocked condenser ● Blocked radiator grille ● Blocked bumper 	● Visual	No blocking	—
	2	● Coolant mixture	● Coolant tester	50 - 50% coolant mixture	MA-12
	3	● Coolant level	● Visual	Coolant up to MAX level in reservoir tank and radiator filler neck	CO-10
	4	● Radiator cap	● Pressure tester	88 - 127 kPa (0.90 - 1.30 kg/cm ² , 12.8 - 18.4 psi) (Limit)	CO-15
ON*2	5	● Coolant leaks	● Visual	No leaks	CO-10
ON*2	6	● Thermostat	● Touch the upper and lower radiator hoses	Both hoses should be hot	CO-26
ON*1	7	● Cooling fan	● CONSULT-III	Operating	See trouble diagnosis for DTC P1217 (EC-543).
OFF	8	● Combustion gas leak	● Color checker chemical tester 4 Gas analyzer	Negative	—
ON*3	9	● Coolant temperature gauge	● Visual	Gauge less than 3/4 when driving	—
		● Coolant overflow to reservoir tank	● Visual	No overflow during driving and idling	CO-10
OFF*4	10	● Coolant return from reservoir tank to radiator	● Visual	Should be initial level in reservoir tank	CO-10
OFF	11	● Cylinder head	● Straight gauge feeler gauge	0.1 mm (0.004 in) Maximum distortion (warping)	EM-89
	12	● Cylinder block and pistons	● Visual	No scuffing on cylinder walls or piston	EM-107

*1: Turn the ignition switch ON.

*2: Engine running at 3,000 rpm for 10 minutes.

*3: Drive at 90 km/h (55 MPH) for 30 minutes and then let idle for 10 minutes.

*4: After 60 minutes of cool down time.

For more information, refer to [CO-6, "OVERHEATING CAUSE ANALYSIS"](#) .

DTC P1217 ENGINE OVER TEMPERATURE

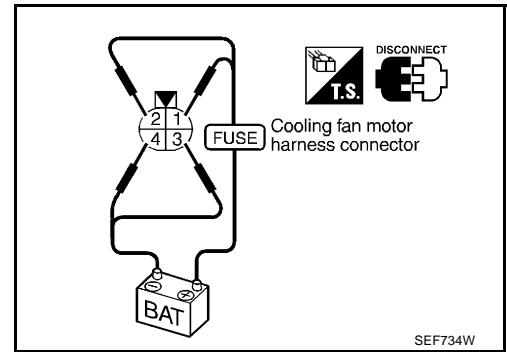
NBS000DL

Component Inspection

COOLING FAN MOTORS-1 AND -2

1. Disconnect cooling fan motor harness connectors.
2. Supply cooling fan motor terminals with battery voltage and check operation.

	Speed	terminals	
		(+)	(-)
Cooling fan motor	Low	1	4
		2	3
	High	1 and 2	3 and 4



Cooling fan motor should operate.

If NG, replace cooling fan motors.

DTC P1225, P1234 TP SENSOR

DTC P1225, P1234 TP SENSOR

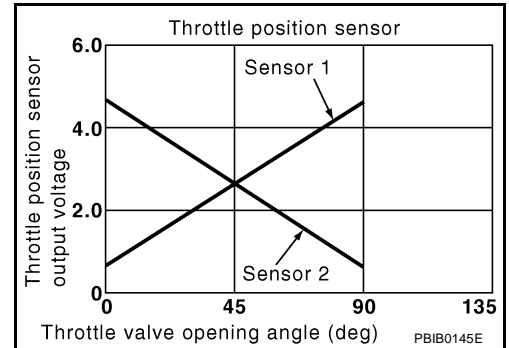
PF16119

Component Description

NBS000DM

Electric throttle control actuator consists of throttle control motor, throttle position sensor, etc. The throttle position sensor responds to the throttle valve movement.

The throttle position sensor has two sensors. These sensors are a kind of potentiometers which transform the throttle valve position into output voltage, and emit the voltage signal to the ECM. In addition, these sensors detect the opening and closing speed of the throttle valve and feed the voltage signals to the ECM. The ECM judges the current opening angle of the throttle valve from these signals and the ECM controls the throttle control motor to make the throttle valve opening angle properly in response to driving condition.



On Board Diagnosis Logic

NBS000DN

The MIL will not light up for this self-diagnosis.

DTC No.	Trouble diagnosis name	DTC detecting condition	Possible cause
P1225 1225	Closed throttle position learning performance	Closed throttle position learning value is excessively low.	<ul style="list-style-type: none"> Electric throttle control actuator (TP sensor 1 and 2)

DTC Confirmation Procedure

NBS000DO

NOTE:

If DTC Confirmation Procedure has been previously conducted, always turn ignition switch OFF and wait at least 10 seconds before conducting the next test.

TESTING CONDITION:

Before performing the following procedure, confirm that battery voltage is more than 10V at idle.

WITH CONSULT-III

- Turn ignition switch ON.
- Turn ignition switch OFF and wait at least 10 seconds.
- Turn ignition switch ON.
- Check 1st trip DTC.
- If 1st trip DTC is detected, go to [EC-558, "Diagnostic Procedure"](#).

WITH GST

Follow the procedure "WITH CONSULT-III" above.

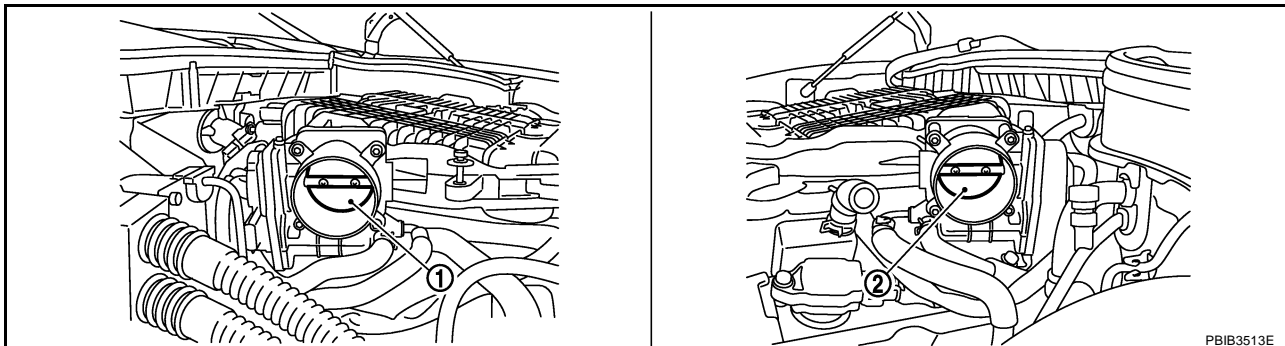
DTC P1225, P1234 TP SENSOR

Diagnostic Procedure

NBS000DP

1. CHECK ELECTRIC THROTTLE CONTROL ACTUATOR VISUALLY

1. Turn ignition switch OFF.
2. Remove the intake air duct.
3. Check if foreign matter is caught between the throttle valve and the housing.



1. Throttle valve (bank 1)

2. Throttle valve (bank 2)

OK or NG

OK >> GO TO 2.

NG >> Remove the foreign matter and clean the electric throttle control actuator inside.

2. REPLACE ELECTRIC THROTTLE CONTROL ACTUATOR

1. Replace the electric throttle control actuator.
2. Perform [EC-77, "Throttle Valve Closed Position Learning"](#) .
3. Perform [EC-77, "Idle Air Volume Learning"](#) .

>> INSPECTION END

Removal and Installation ELECTRIC THROTTLE CONTROL ACTUATOR

NBS000DQ

Refer to [EM-17, "INTAKE MANIFOLD COLLECTOR"](#) .

DTC P1226, P1235 TP SENSOR

DTC P1226, P1235 TP SENSOR

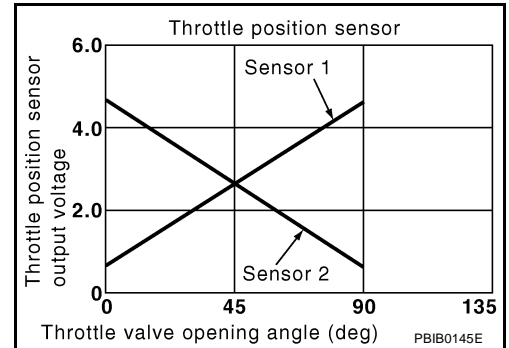
PF16:16119

Component Description

NBS000DR

Electric throttle control actuator consists of throttle control motor, throttle position sensor, etc. The throttle position sensor responds to the throttle valve movement.

The throttle position sensor has two sensors. These sensors are a kind of potentiometers which transform the throttle valve position into output voltage, and emit the voltage signal to the ECM. In addition, these sensors detect the opening and closing speed of the throttle valve and feed the voltage signals to the ECM. The ECM judges the current opening angle of the throttle valve from these signals and the ECM controls the throttle control motor to make the throttle valve opening angle properly in response to driving condition.



On Board Diagnosis Logic

NBS000DS

The MIL will not light up for this self-diagnosis.

DTC No.	Trouble diagnosis name	DTC detecting condition	Possible cause
P1226 1226	Closed throttle position learning performance	Closed throttle position learning is not performed successfully, repeatedly.	<ul style="list-style-type: none"> Electric throttle control actuator (TP sensor 1 and 2)

DTC Confirmation Procedure

NBS000DT

NOTE:

If DTC Confirmation Procedure has been previously conducted, always turn ignition switch OFF and wait at least 10 seconds before conducting the next test.

TESTING CONDITION:

Before performing the following procedure, confirm that battery voltage is more than 10V at idle.

Ⓟ WITH CONSULT-III

- Turn ignition switch ON.
- Turn ignition switch OFF and wait at least 10 seconds.
- Turn ignition switch ON.
- Repeat steps 3 and 4 for 32 times.
- Check 1st trip DTC.
- If 1st trip DTC is detected, go to [EC-560, "Diagnostic Procedure"](#).

Ⓢ WITH GST

Follow the procedure "With CONSULT-III" above.

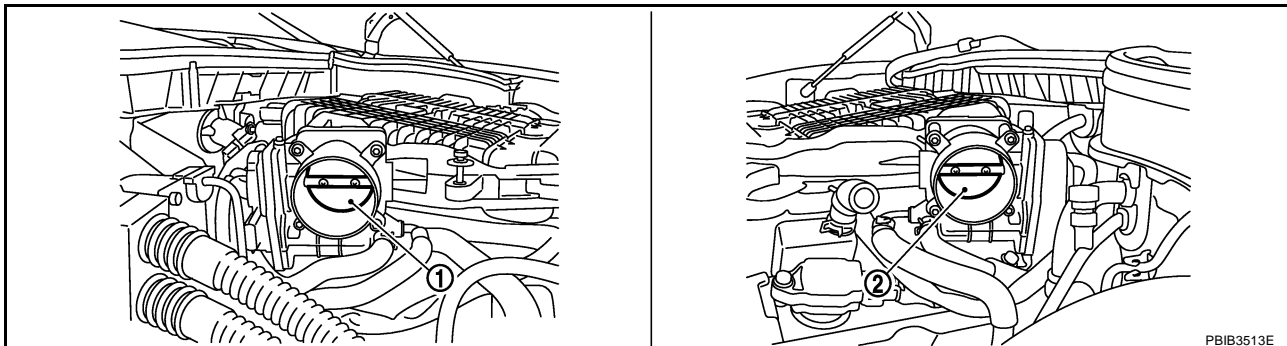
DTC P1226, P1235 TP SENSOR

Diagnostic Procedure

NBS000DU

1. CHECK ELECTRIC THROTTLE CONTROL ACTUATOR VISUALLY

1. Turn ignition switch OFF.
2. Remove the intake air duct.
3. Check if foreign matter is caught between the throttle valve and the housing.



1. Throttle valve (bank 1)

2. Throttle valve (bank 2)

OK or NG

OK >> GO TO 2.

NG >> Remove the foreign matter and clean the electric throttle control actuator inside.

2. REPLACE ELECTRIC THROTTLE CONTROL ACTUATOR

1. Replace the electric throttle control actuator.
2. Perform [EC-77, "Throttle Valve Closed Position Learning"](#) .
3. Perform [EC-77, "Idle Air Volume Learning"](#) .

>> INSPECTION END

Removal and Installation ELECTRIC THROTTLE CONTROL ACTUATOR

NBS000DV

Refer to [EM-17, "INTAKE MANIFOLD COLLECTOR"](#) .

DTC P1233, P2101 ELECTRIC THROTTLE CONTROL FUNCTION

DTC P1233, P2101 ELECTRIC THROTTLE CONTROL FUNCTION

PF16119

Description

NBS000C3

NOTE:

If DTC P1233 or P2101 is displayed with DTC P1238, P1290, P2100, P2119 first perform the trouble diagnosis for DTC P1238, P2119 or P1290, P2100. Refer to [EC-580, "DTC P1238, P2119 ELECTRIC THROTTLE CONTROL ACTUATOR"](#) or [EC-592, "DTC P1290, P2100, P2103 THROTTLE CONTROL MOTOR RELAY"](#).

Electric throttle control actuator consists of throttle control motor, throttle position sensor, etc.

The throttle control motor is operated by the ECM and it opens and closes the throttle valve.

The current opening angle of the throttle valve is detected by the throttle position sensor and it provides feedback to the ECM to control the throttle control motor to make the throttle valve opening angle properly in response to driving condition.

On Board Diagnosis Logic

NBS000C4

This self-diagnosis has the one trip detection logic.

DTC No.	Trouble diagnosis name	DTC detecting condition	Possible cause
P1233 1233 (Bank 2)	Electric throttle control performance	Electric throttle control function does not operate properly.	<ul style="list-style-type: none">● Harness or connectors (The throttle control motor circuit is open or shorted)● Electric throttle control actuator
P2101 2101 (Bank 1)			

FAIL-SAFE MODE

When the malfunction is detected, ECM enters fail-safe mode and the MIL lights up.

Engine operating condition in fail-safe mode

ECM stops the electric throttle control actuator control, throttle valve is maintained at a fixed opening (approx. 5 degrees) by the return spring.

DTC Confirmation Procedure

NBS000C5

NOTE:

If DTC Confirmation Procedure has been previously conducted, always turn ignition switch OFF and wait at least 10 seconds before conducting the next test.

TESTING CONDITION:

Before performing the following procedure, confirm that battery voltage is more than 11V when engine is running.

WITH CONSULT-III

1. Turn ignition switch ON and wait at least 2 seconds.
2. Start engine and let it idle for 5 seconds.
3. Check DTC.
4. If DTC is detected, go to [EC-566, "Diagnostic Procedure"](#).

WITH GST

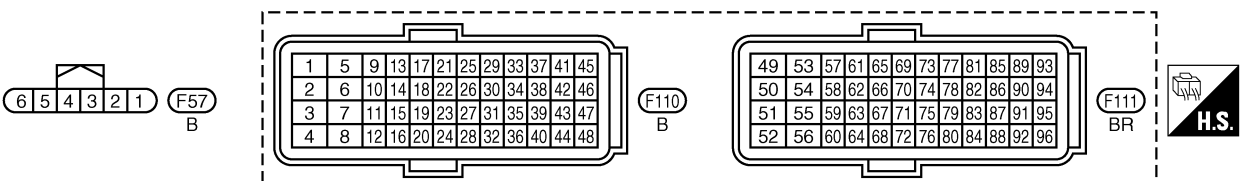
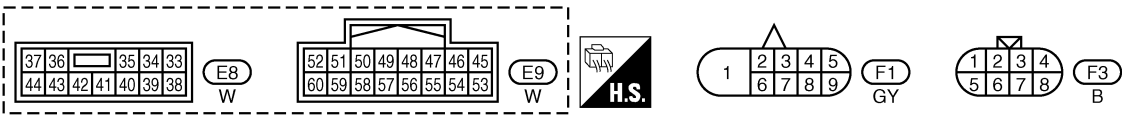
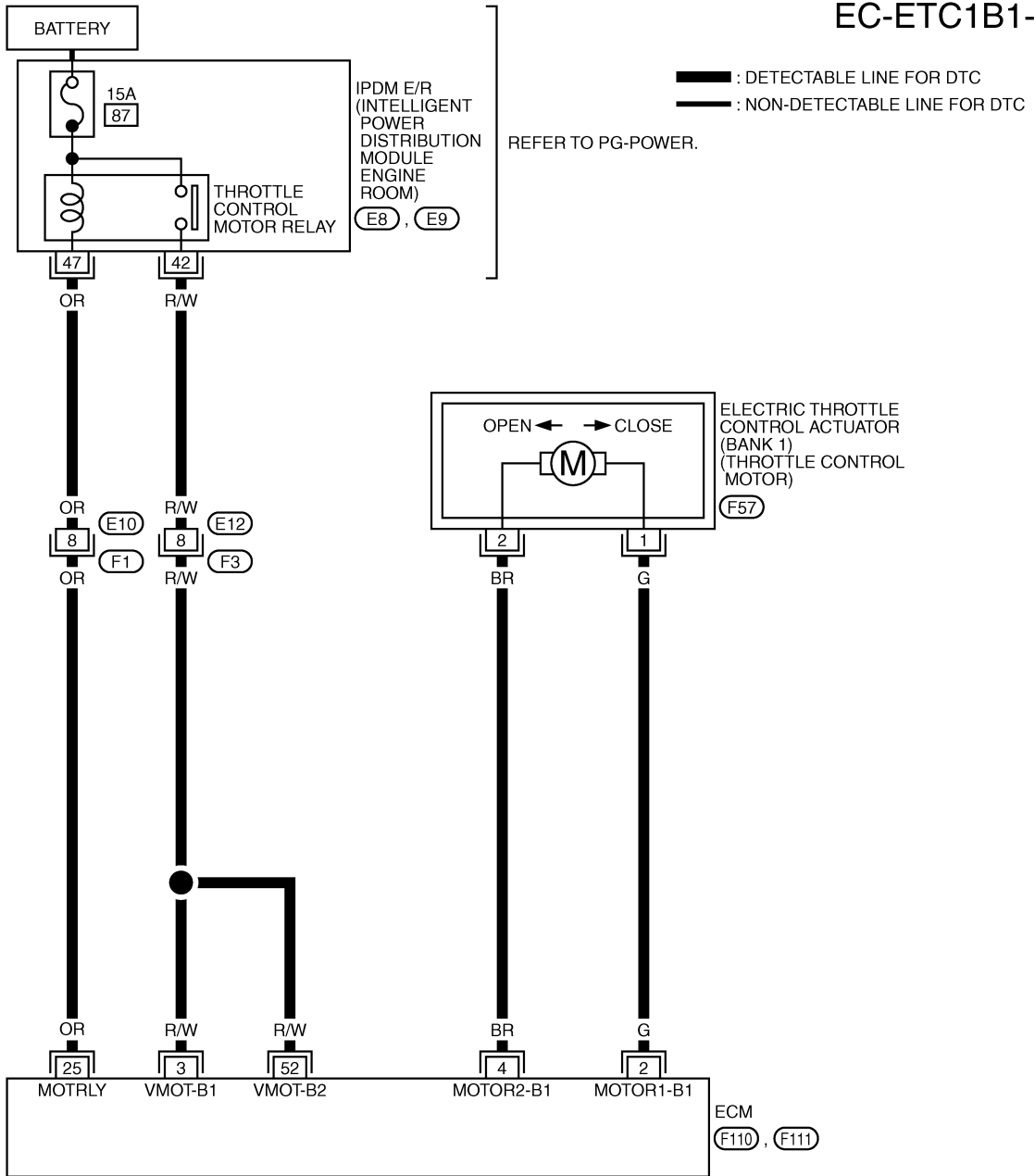
Follow the procedure "WITH CONSULT-III" above.

DTC P1233, P2101 ELECTRIC THROTTLE CONTROL FUNCTION

NBS000C6

Wiring Diagram BANK 1

EC-ETC1B1-01



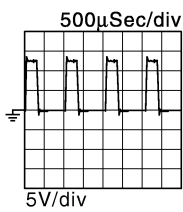
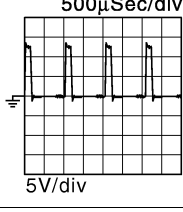
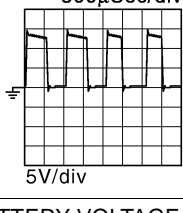
TBWT1666E

DTC P1233, P2101 ELECTRIC THROTTLE CONTROL FUNCTION

Specification data are reference values and are measured between each terminal and ground.
Pulse signal is measured by CONSULT-III.

CAUTION:

Do not use ECM ground terminals when measuring input/output voltage. Doing so may result in damage to the ECM's transistor. Use a ground other than ECM terminals, such as the ground.

TER-MINAL NO.	WIRE COLOR	ITEM	CONDITION	DATA (DC Voltage)
2	G	Throttle control motor (Open) (bank 1)	[Ignition switch: ON] <ul style="list-style-type: none"> ● Engine stopped ● Shift lever: D (A/T) or 1st (M/T) ● Accelerator pedal: Fully depressed 	0 - 14V★  <small>PBIB3539E</small>
			[Ignition switch: ON] <ul style="list-style-type: none"> ● Engine stopped ● Shift lever: D (A/T) or 1st (M/T) ● Accelerator pedal: Fully released 	0 - 14V★  <small>PBIB3540E</small>
3	R/W	Throttle control motor relay power supply (bank 1)	[Ignition switch: ON]	BATTERY VOLTAGE (11 - 14V)
4	BR	Throttle control motor (Close) (bank 1)	[Ignition switch: ON] <ul style="list-style-type: none"> ● Engine stopped ● Shift lever: D (A/T) or 1st (M/T) ● Accelerator pedal: In the middle of releasing operation 	0 - 14V★  <small>PBIB3541E</small>
25	OR	Throttle control motor relay	[Ignition switch: OFF]	BATTERY VOLTAGE (11 - 14V)
			[Ignition switch: ON]	0 - 1.0V
52	R/W	Throttle control motor relay power supply (bank 2)	[Ignition switch: ON]	BATTERY VOLTAGE (11 - 14V)

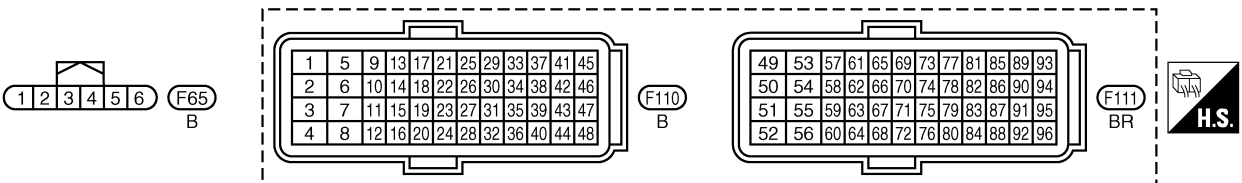
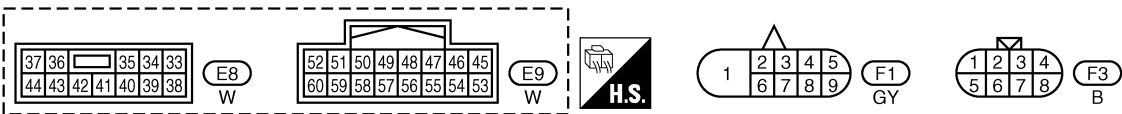
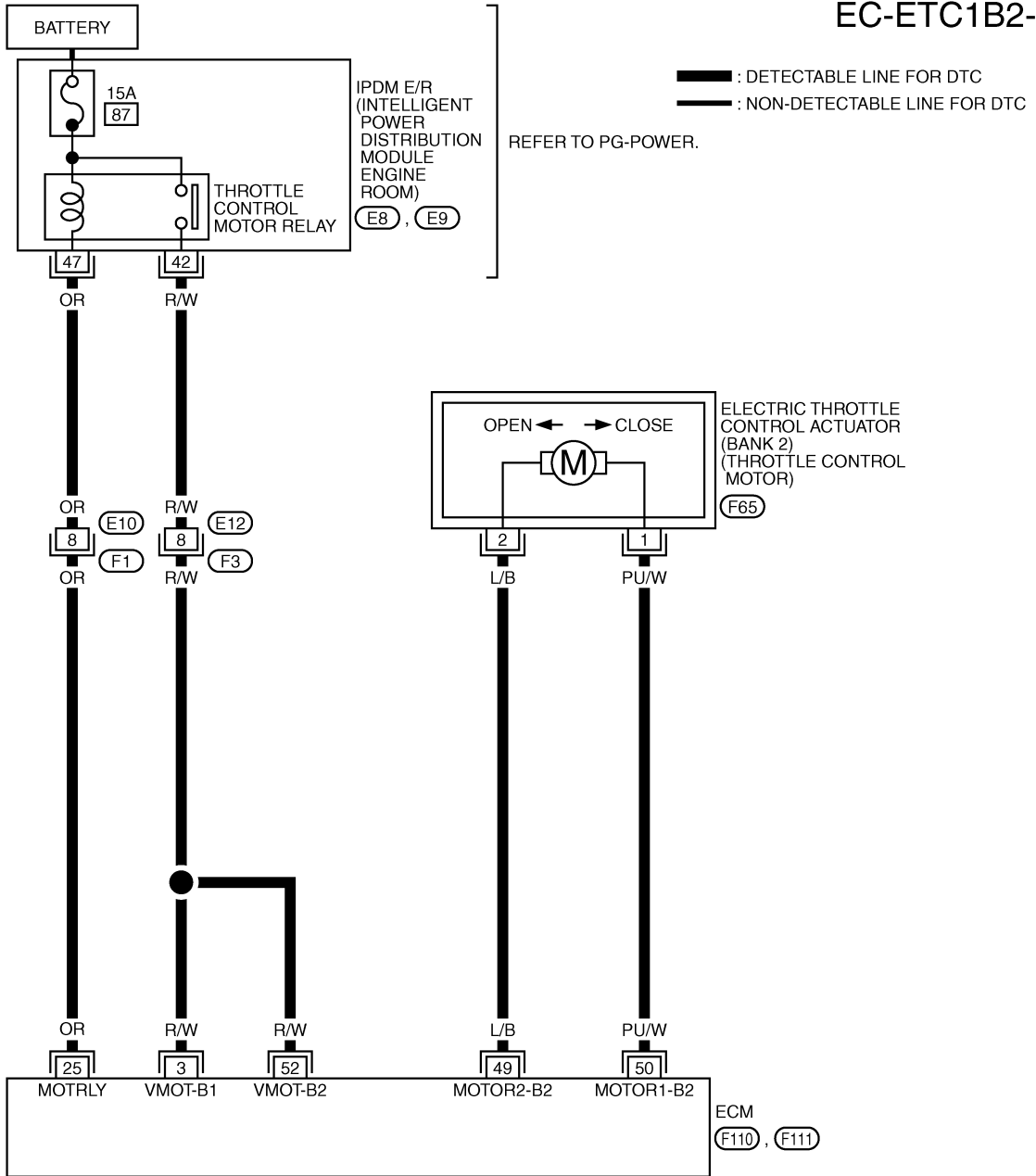
★: Average voltage for pulse signal (Actual pulse signal can be confirmed by oscilloscope.)

A
EC
C
D
E
F
G
H
I
J
K
L
M

DTC P1233, P2101 ELECTRIC THROTTLE CONTROL FUNCTION

BANK 2

EC-ETC1B2-01



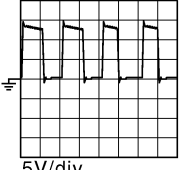
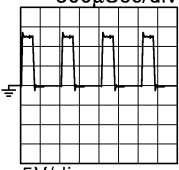
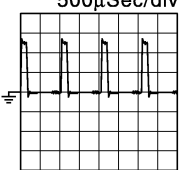
TBWT1667E

DTC P1233, P2101 ELECTRIC THROTTLE CONTROL FUNCTION

Specification data are reference values and are measured between each terminal and ground.
Pulse signal is measured by CONSULT-III.

CAUTION:

Do not use ECM ground terminals when measuring input/output voltage. Doing so may result in damage to the ECM's transistor. Use a ground other than ECM terminals, such as the ground.

TER-MINAL NO.	WIRE COLOR	ITEM	CONDITION	DATA (DC Voltage)
3	R/W	Throttle control motor relay power supply (bank 1)	[Ignition switch: ON]	BATTERY VOLTAGE (11 - 14V)
25	OR	Throttle control motor relay	[Ignition switch: OFF]	BATTERY VOLTAGE (11 - 14V)
			[Ignition switch: ON]	0 - 1.0V
49	L/B	Throttle control motor (Close) (bank 2)	[Ignition switch: ON] <ul style="list-style-type: none"> ● Engine stopped ● Shift lever: D (A/T) or 1st (M/T) ● Accelerator pedal: In the middle of releasing operation 	0 - 14V★ 500μSec/div  5V/div PBIB3541E
50	PU/W	Throttle control motor (Open) (bank 2)	[Ignition switch: ON] <ul style="list-style-type: none"> ● Engine stopped ● Shift lever: D (A/T) or 1st (M/T) ● Accelerator pedal: Fully depressed 	0 - 14V★ 500μSec/div  5V/div PBIB3539E
			[Ignition switch: ON] <ul style="list-style-type: none"> ● Engine stopped ● Shift lever: D (A/T) or 1st (M/T) ● Accelerator pedal: Fully released 	0 - 14V★ 500μSec/div  5V/div PBIB3540E
52	R/W	Throttle control motor relay power supply (bank 2)	[Ignition switch: ON]	BATTERY VOLTAGE (11 - 14V)

★: Average voltage for pulse signal (Actual pulse signal can be confirmed by oscilloscope.)

DTC P1233, P2101 ELECTRIC THROTTLE CONTROL FUNCTION

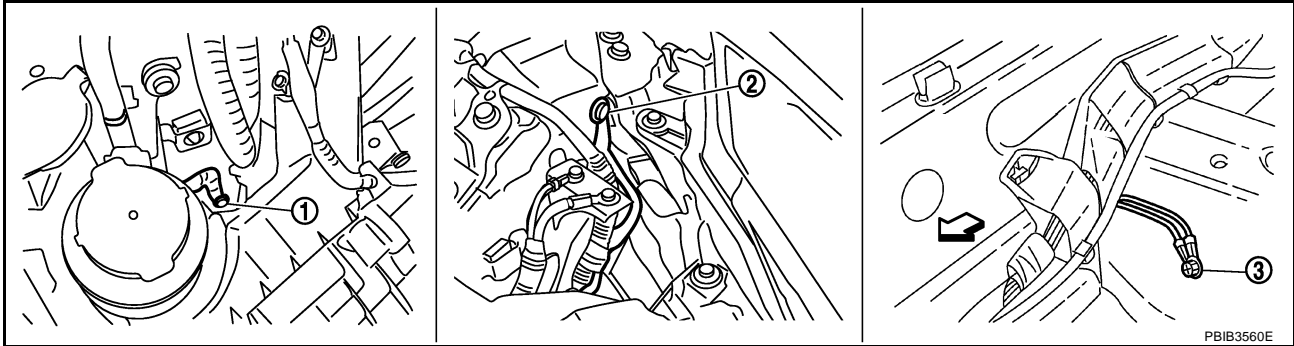
NBS000C7

Diagnostic Procedure

1. CHECK GROUND CONNECTIONS

Models with VDC system, navigation system or telephone

1. Turn ignition switch OFF.
2. Loosen and retighten ground screws on the body. Refer to [EC-150, "Ground Inspection"](#) .



1. Body ground E17

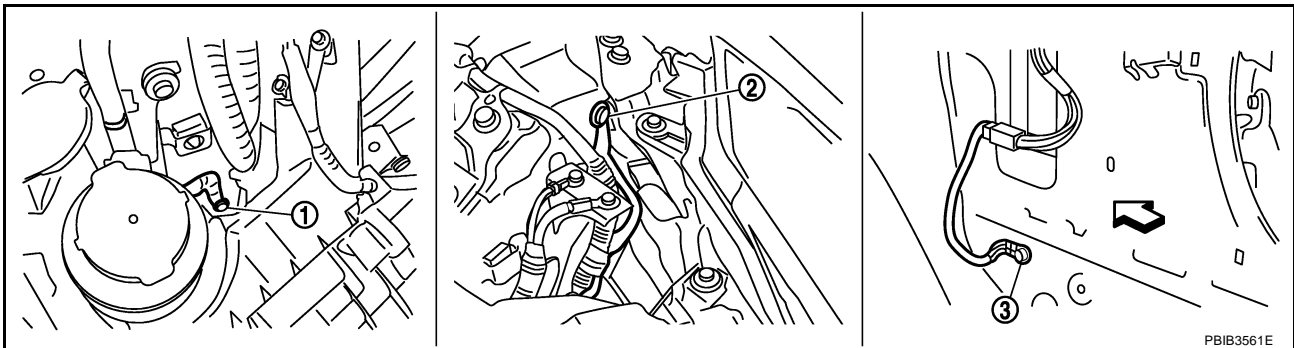
2. Body ground E43

3. Body ground B102

↔ Vehicle front

Models without VDC system, navigation system and telephone

1. Turn ignition switch OFF.
2. Loosen and retighten ground screws on the body. Refer to [EC-150, "Ground Inspection"](#) .



1. Body ground E17

2. Body ground E43

3. Body ground F152
(Passenger side view with dash side finisher removed)

↔ Vehicle front

OK or NG

- OK >> GO TO 2.
NG >> Repair or replace ground connections.

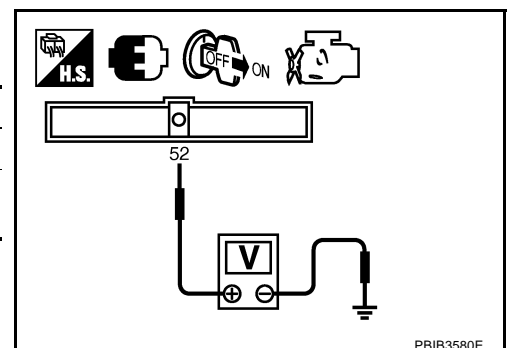
2. CHECK THROTTLE CONTROL MOTOR RELAY INPUT SIGNAL CIRCUIT-I

Check voltage between ECM terminal 3 (bank 1), 52 (bank 2) and ground under the following conditions with CONSULT-III or tester.

Ignition switch	Voltage
OFF	Approximately 0V
ON	Battery voltage (11 - 14V)

OK or NG

- OK >> GO TO 12.
NG >> GO TO 3.



DTC P1233, P2101 ELECTRIC THROTTLE CONTROL FUNCTION

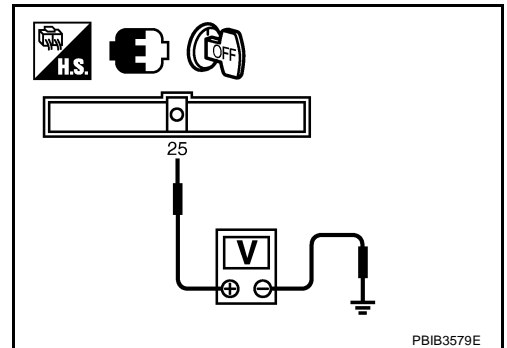
3. CHECK THROTTLE CONTROL MOTOR RELAY POWER SUPPLY CIRCUIT-I

1. Turn ignition switch OFF.
2. Check voltage between ECM terminal 25 and ground with CONSULT-III or tester.

Voltage: Battery voltage

OK or NG

- OK >> GO TO 7.
NG >> GO TO 4.



4. CHECK THROTTLE CONTROL MOTOR RELAY POWER SUPPLY CIRCUIT-II

1. Disconnect ECM harness connector.
2. Disconnect IPDM E/R harness connector E9.
3. Check continuity between ECM terminal 25 and IPDM E/R terminal 47. Refer to Wiring Diagram.

Continuity should exist.

4. Also check harness for short to ground and short to power.

OK or NG

- OK >> GO TO 7.
NG >> GO TO 5.

5. DETECT MALFUNCTIONING PART

Check the following.

- Harness connectors E10, F1
- Harness for open or short between ECM and IPDM E/R

>> Repair open circuit or short to ground or short to power in harness or connectors.

6. CHECK FUSE

1. Disconnect 15A fuse.
2. Check 15A fuse for blown.

OK or NG

- OK >> GO TO 9.
NG >> Replace 15A fuse.

7. CHECK THROTTLE CONTROL MOTOR RELAY INPUT SIGNAL CIRCUIT-II

1. Disconnect ECM harness connector.
2. Disconnect IPDM E/R harness connector E8.
3. Check continuity between ECM terminal 3 (bank 1), 52 (bank 2) and IPDM E/R terminal 42. Refer to Wiring Diagram.

Continuity should exist.

4. Also check harness for short to ground and short to power.

OK or NG

- OK >> GO TO 9.
NG >> GO TO 8.

DTC P1233, P2101 ELECTRIC THROTTLE CONTROL FUNCTION

8. DETECT MALFUNCTIONING PART

Check the following.

- Harness connectors E12, F3
- Harness for open or short between ECM and IPDM E/R

>> Repair open circuit or short to ground or short to power in harness or connectors.

9. CHECK INTERMITTENT INCIDENT

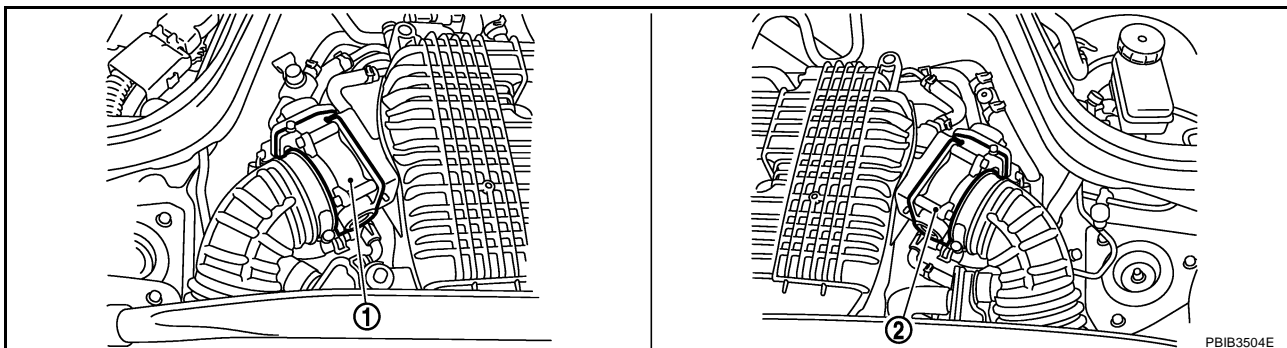
Refer to [EC-141, "TROUBLE DIAGNOSIS FOR INTERMITTENT INCIDENT"](#) .

OK or NG

- OK >> Replace IPDM E/R. Refer to [PG-16, "IPDM E/R \(INTELLIGENT POWER DISTRIBUTION MODULE ENGINE ROOM\)"](#) .
- NG >> Repair or replace harness or connectors.

10. CHECK THROTTLE CONTROL MOTOR OUTPUT SIGNAL CIRCUIT FOR OPEN OR SHORT

1. Turn ignition switch OFF.
2. Disconnect electric throttle control actuator harness connector.



1. Electric throttle control acutator (bank 1)

2. Electric throttle control acutator (bank 2)

3. Disconnect ECM harness connector.
4. Check harness continuity between the following terminals. Refer to Wiring Diagram.

Bank	Electric throttle control actuator terminal	ECM terminal	Continuity
1	1	2	Should exist
		4	Should not exist
	2	2	Should not exist
		4	Should exist
2	1	49	Should not exist
		50	Should exist
	2	49	Should exist
		50	Should not exist

5. Also check harness for short to ground and short to power.

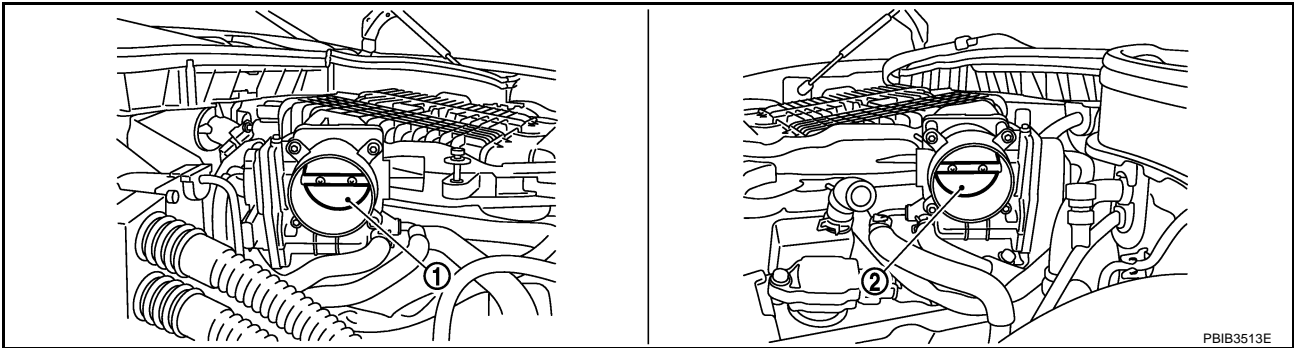
OK or NG

- OK >> GO TO 11.
- NG >> Repair or replace.

DTC P1233, P2101 ELECTRIC THROTTLE CONTROL FUNCTION

11. CHECK ELECTRIC THROTTLE CONTROL ACTUATOR VISUALLY

1. Remove the intake air duct.
2. Check if foreign matter is caught between the throttle valve and the housing.



1. Throttle valve (bank 1)

2. Throttle valve (bank 2)

OK or NG

OK >> GO TO 12.

NG >> Remove the foreign matter and clean the electric throttle control actuator inside.

12. CHECK THROTTLE CONTROL MOTOR

Refer to [EC-570, "Component Inspection"](#) .

OK or NG

OK >> GO TO 13.

NG >> GO TO 14.

13. CHECK INTERMITTENT INCIDENT

Refer to [EC-141, "TROUBLE DIAGNOSIS FOR INTERMITTENT INCIDENT"](#) .

OK or NG

OK >> GO TO 14.

NG >> Repair or replace harness or connectors.

14. REPLACE ELECTRIC THROTTLE CONTROL ACTUATOR

1. Replace the electric throttle control actuator.
2. Perform [EC-77, "Throttle Valve Closed Position Learning"](#) .
3. Perform [EC-77, "Idle Air Volume Learning"](#) .

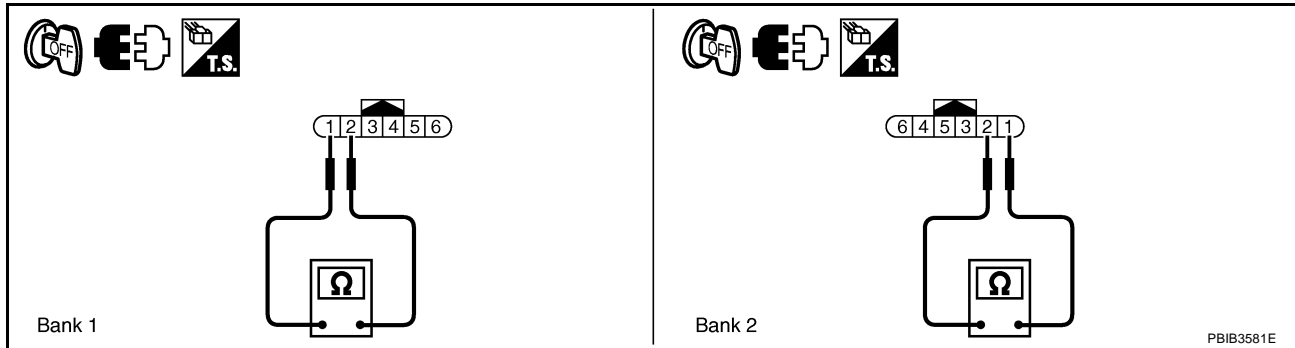
>> INSPECTION END

DTC P1233, P2101 ELECTRIC THROTTLE CONTROL FUNCTION

Component Inspection THROTTLE CONTROL MOTOR

NBS000C8

1. Disconnect electric throttle control actuator harness connector.
2. Check resistance between terminals 1 and 2.



Resistance: Approximately 1 - 15 Ω [at 25 °C (77°F)]

3. If NG, replace electric throttle control actuator and go to next step.
4. Perform [EC-77, "Throttle Valve Closed Position Learning"](#) .
5. Perform [EC-77, "Idle Air Volume Learning"](#) .

Removal and Installation ELECTRIC THROTTLE CONTROL ACTUATOR

NBS000C9

Refer to [EM-17, "INTAKE MANIFOLD COLLECTOR"](#) .

DTC P1236, P2118 THROTTLE CONTROL MOTOR

DTC P1236, P2118 THROTTLE CONTROL MOTOR

PPF:16119

Component Description

NBS000CG

The throttle control motor is operated by the ECM and it opens and closes the throttle valve. The current opening angle of the throttle valve is detected by the throttle position sensor and it provides feedback to the ECM to control the throttle control motor to make the throttle valve opening angle properly in response to driving condition.

On Board Diagnosis Logic

NBS000CH

This self-diagnosis has the one trip detection logic.

DTC No.	Trouble diagnosis name	DTC detecting condition	Possible cause
P1236 1236 (Bank 2)	Throttle control motor circuit short	ECM detects short in both circuits between ECM and throttle control motor.	<ul style="list-style-type: none">● Harness or connectors (The throttle control motor circuit is shorted.)● Electric throttle control actuator (Throttle control motor)
P2118 2118 (Bank 1)			

FAIL-SAFE MODE

When the malfunction is detected, the ECM enters fail-safe mode and the MIL lights up.

Engine operating condition in fail-safe mode

ECM stops the electric throttle control actuator control, throttle valve is maintained at a fixed opening (approx. 5 degrees) by the return spring.

DTC Confirmation Procedure

NBS000CI

NOTE:

If DTC Confirmation Procedure has been previously conducted, always turn ignition switch OFF and wait at least 10 seconds before conducting the next test.

Ⓜ WITH CONSULT-III

1. Turn ignition switch ON and wait at least 2 seconds.
2. Start engine and let it idle for 5 seconds.
3. Check DTC.
4. If DTC is detected, go to [EC-576, "Diagnostic Procedure"](#).

Ⓜ WITH GST

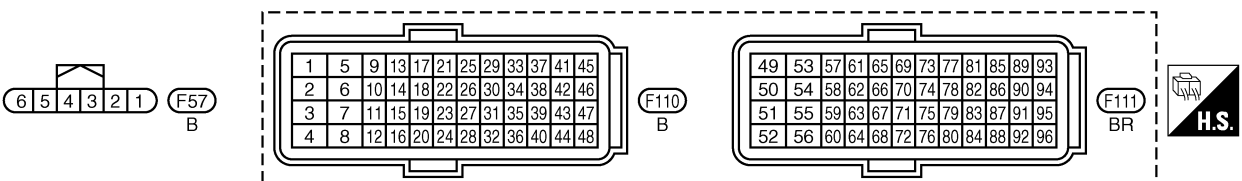
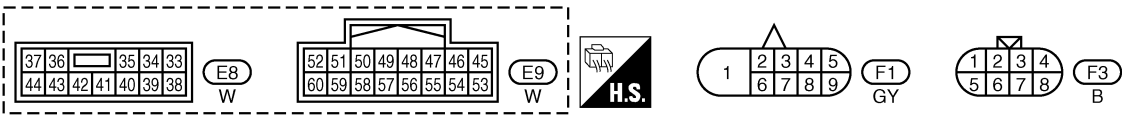
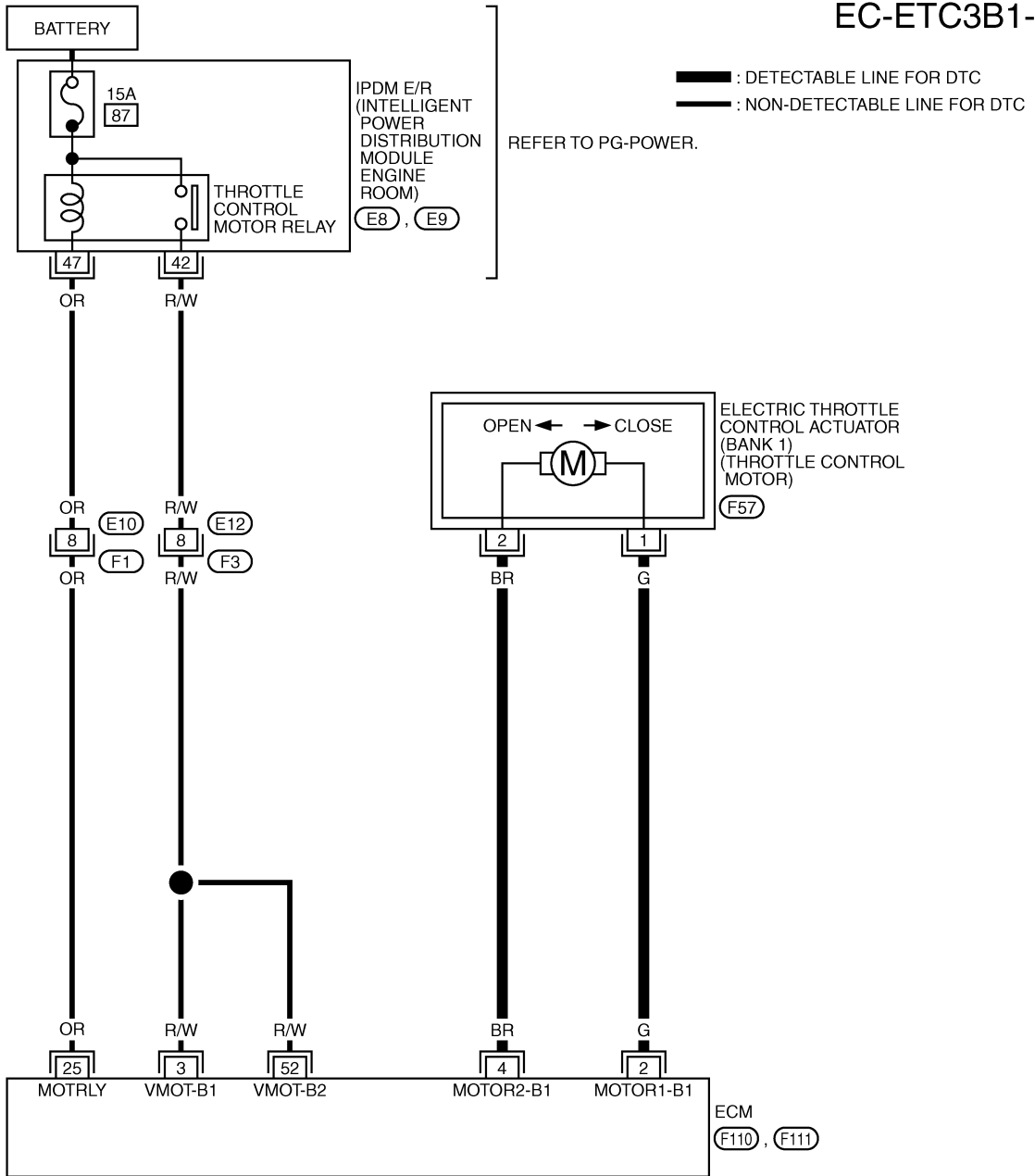
Follow the procedure "WITH CONSULT-III" above.

DTC P1236, P2118 THROTTLE CONTROL MOTOR

NBS000CJ

Wiring Diagram BANK 1

EC-ETC3B1-01



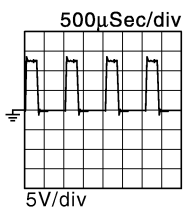
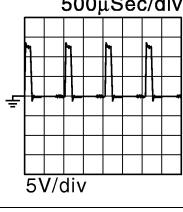
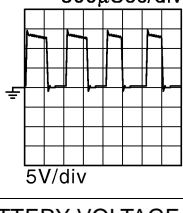
TBWT1668E

DTC P1236, P2118 THROTTLE CONTROL MOTOR

Specification data are reference values and are measured between each terminal and ground.
Pulse signal is measured by CONSULT-III.

CAUTION:

Do not use ECM ground terminals when measuring input/output voltage. Doing so may result in damage to the ECM's transistor. Use a ground other than ECM terminals, such as the ground.

TER-MINAL NO.	WIRE COLOR	ITEM	CONDITION	DATA (DC Voltage)
2	G	Throttle control motor (Open) (bank 1)	[Ignition switch: ON] <ul style="list-style-type: none"> ● Engine stopped ● Shift lever: D (A/T) or 1st (M/T) ● Accelerator pedal: Fully depressed 	0 - 14V★  <small>PBIB3539E</small>
			[Ignition switch: ON] <ul style="list-style-type: none"> ● Engine stopped ● Shift lever: D (A/T) or 1st (M/T) ● Accelerator pedal: Fully released 	0 - 14V★  <small>PBIB3540E</small>
3	R/W	Throttle control motor relay power supply (bank 1)	[Ignition switch: ON]	BATTERY VOLTAGE (11 - 14V)
4	BR	Throttle control motor (Close) (bank 1)	[Ignition switch: ON] <ul style="list-style-type: none"> ● Engine stopped ● Shift lever: D (A/T) or 1st (M/T) ● Accelerator pedal: In the middle of releasing operation 	0 - 14V★  <small>PBIB3541E</small>
25	OR	Throttle control motor relay	[Ignition switch: OFF]	BATTERY VOLTAGE (11 - 14V)
			[Ignition switch: ON]	0 - 1.0V
52	R/W	Throttle control motor relay power supply (bank 2)	[Ignition switch: ON]	BATTERY VOLTAGE (11 - 14V)

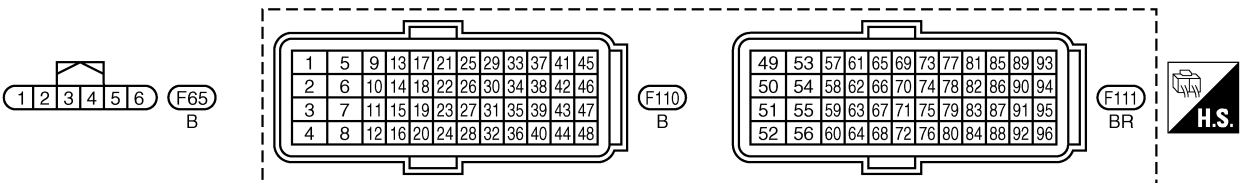
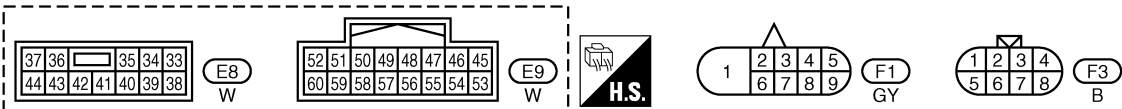
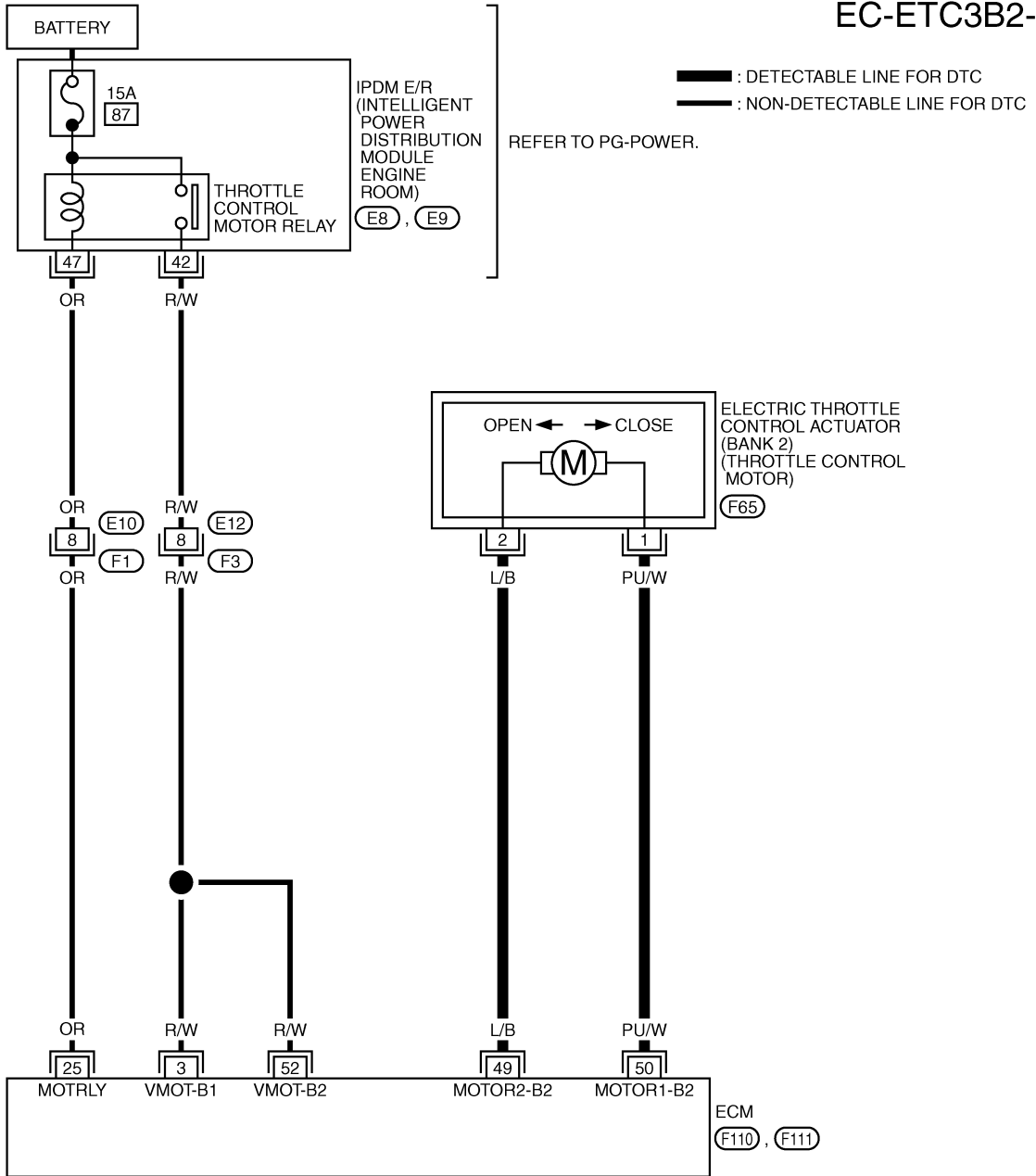
★: Average voltage for pulse signal (Actual pulse signal can be confirmed by oscilloscope.)

A
EC
C
D
E
F
G
H
I
J
K
L
M

DTC P1236, P2118 THROTTLE CONTROL MOTOR

BANK 2

EC-ETC3B2-01



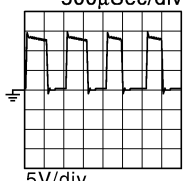
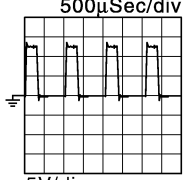
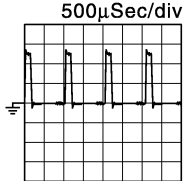
TBWT1669E

DTC P1236, P2118 THROTTLE CONTROL MOTOR

Specification data are reference values and are measured between each terminal and ground.
Pulse signal is measured by CONSULT-III.

CAUTION:

Do not use ECM ground terminals when measuring input/output voltage. Doing so may result in damage to the ECM's transistor. Use a ground other than ECM terminals, such as the ground.

TER-MINAL NO.	WIRE COLOR	ITEM	CONDITION	DATA (DC Voltage)
3	R/W	Throttle control motor relay power supply (bank 1)	[Ignition switch: ON]	BATTERY VOLTAGE (11 - 14V)
25	OR	Throttle control motor relay	[Ignition switch: OFF]	BATTERY VOLTAGE (11 - 14V)
			[Ignition switch: ON]	0 - 1.0V
49	L/B	Throttle control motor (Close) (bank 2)	[Ignition switch: ON] <ul style="list-style-type: none"> ● Engine stopped ● Shift lever: D (A/T) or 1st (M/T) ● Accelerator pedal: In the middle of releasing operation 	0 - 14V★ 500μSec/div  5V/div PBIB3541E
50	PU/W	Throttle control motor (Open) (bank 2)	[Ignition switch: ON] <ul style="list-style-type: none"> ● Engine stopped ● Shift lever: D (A/T) or 1st (M/T) ● Accelerator pedal: Fully depressed 	0 - 14V★ 500μSec/div  5V/div PBIB3539E
			[Ignition switch: ON] <ul style="list-style-type: none"> ● Engine stopped ● Shift lever: D (A/T) or 1st (M/T) ● Accelerator pedal: Fully released 	0 - 14V★ 500μSec/div  5V/div PBIB3540E
52	R/W	Throttle control motor relay power supply (bank 2)	[Ignition switch: ON]	BATTERY VOLTAGE (11 - 14V)

★: Average voltage for pulse signal (Actual pulse signal can be confirmed by oscilloscope.)

A
EC
C
D
E
F
G
H
I
J
K
L
M

DTC P1236, P2118 THROTTLE CONTROL MOTOR

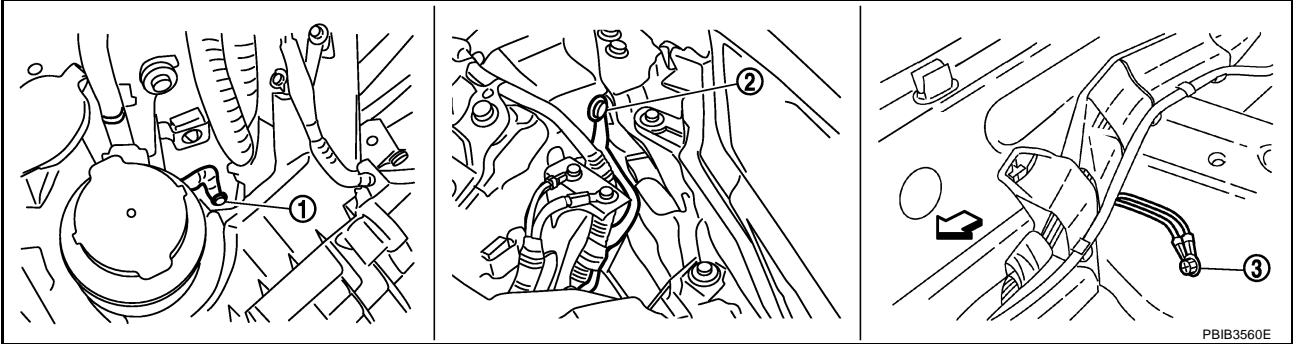
NBS000CK

Diagnostic Procedure

1. CHECK GROUND CONNECTIONS

Models with VDC system, navigation system or telephone

1. Turn ignition switch OFF.
2. Loosen and retighten ground screws on the body. Refer to [EC-150, "Ground Inspection"](#) .



1. Body ground E17

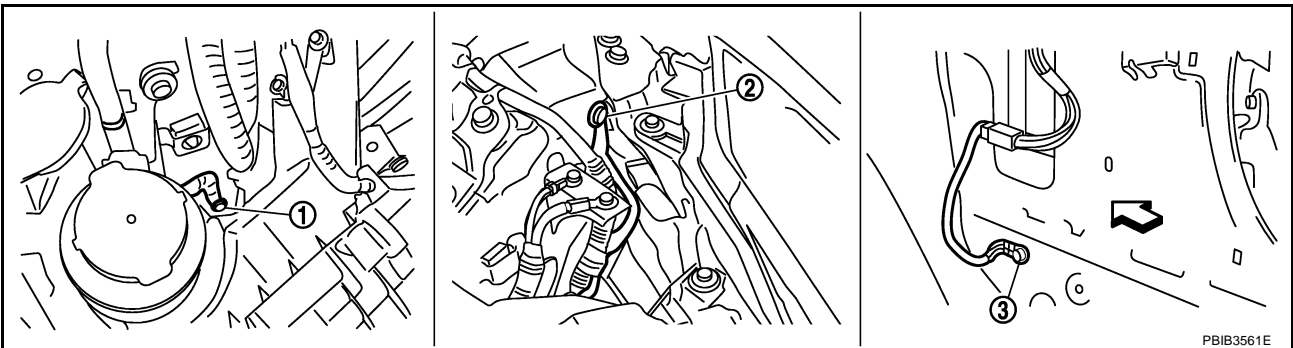
2. Body ground E43

3. Body ground B102

↔ Vehicle front

Models without VDC system, navigation system and telephone

1. Turn ignition switch OFF.
2. Loosen and retighten ground screws on the body. Refer to [EC-150, "Ground Inspection"](#) .



1. Body ground E17

2. Body ground E43

3. Body ground F152
(Passenger side view with dash side
finisher removed)

↔ Vehicle front

OK or NG

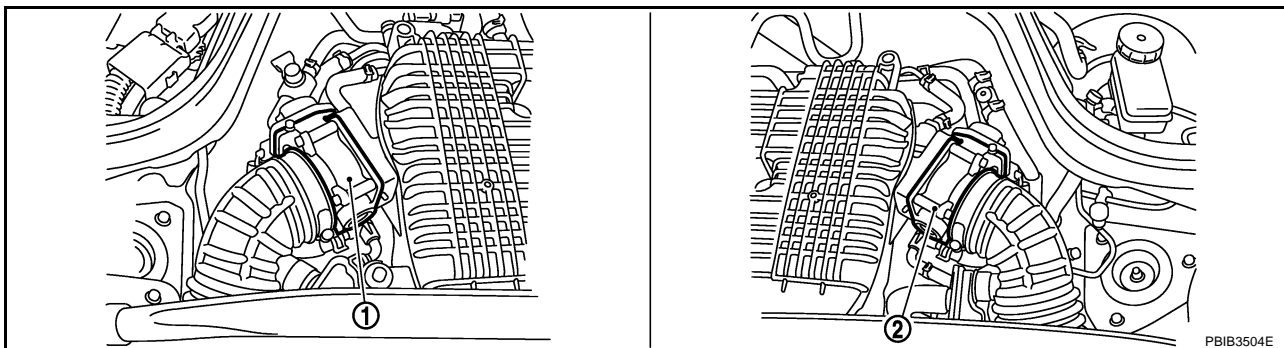
OK >> GO TO 2.

NG >> Repair or replace ground connections.

DTC P1236, P2118 THROTTLE CONTROL MOTOR

2. CHECK THROTTLE CONTROL MOTOR OUTPUT SIGNAL CIRCUIT FOR OPEN OR SHORT

1. Disconnect electric throttle control actuator harness connector.



1. Electric throttle control actuator (bank 1)
2. Electric throttle control actuator (bank 2)

2. Disconnect ECM harness connector.
3. Check harness continuity between the following terminals. Refer to Wiring Diagram.

Bank	Electric throttle control actuator terminal	ECM terminal	Continuity
1	1	2	Should exist
		4	Should not exist
	2	2	Should not exist
		4	Should exist
2	1	49	Should not exist
		50	Should exist
	2	49	Should exist
		50	Should not exist

4. Also check harness for short to ground and short to power.

OK or NG

- OK >> GO TO 3.
- NG >> Repair or replace.

3. CHECK THROTTLE CONTROL MOTOR

Refer to [EC-579, "Component Inspection"](#) .

OK or NG

- OK >> GO TO 4.
- NG >> GO TO 5.

4. CHECK INTERMITTENT INCIDENT

Refer to [EC-141, "TROUBLE DIAGNOSIS FOR INTERMITTENT INCIDENT"](#) .

OK or NG

- OK >> GO TO 5.
- NG >> Repair or replace harness or connectors.

DTC P1236, P2118 THROTTLE CONTROL MOTOR

5. REPLACE ELECTRIC THROTTLE CONTROL ACTUATOR

1. Replace the electric throttle control actuator.
2. Perform [EC-77, "Throttle Valve Closed Position Learning"](#) .
3. Perform [EC-77, "Idle Air Volume Learning"](#) .

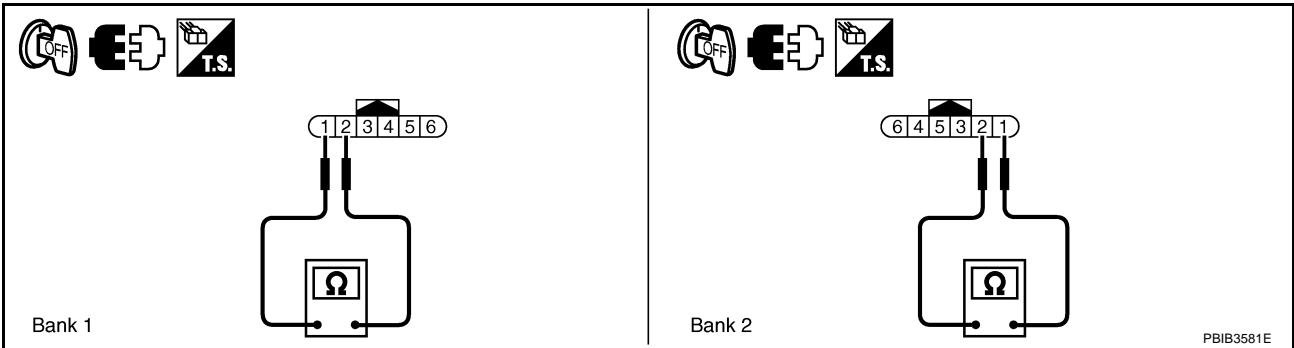
>> INSPECTION END

DTC P1236, P2118 THROTTLE CONTROL MOTOR

NBS006V8

Component Inspection THROTTLE CONTROL MOTOR

1. Disconnect electric throttle control actuator harness connector.
2. Check resistance between terminals 1 and 2.



Resistance: Approximately 1 - 15 Ω [at 25 °C (77°F)]

3. If NG, replace electric throttle control actuator and go to next step.
4. Perform [EC-77, "Throttle Valve Closed Position Learning"](#) .
5. Perform [EC-77, "Idle Air Volume Learning"](#) .

Removal and Installation ELECTRIC THROTTLE CONTROL ACTUATOR

NBS006V9

Refer to [EM-17, "INTAKE MANIFOLD COLLECTOR"](#) .

DTC P1238, P2119 ELECTRIC THROTTLE CONTROL ACTUATOR

DTC P1238, P2119 ELECTRIC THROTTLE CONTROL ACTUATOR

PFP:16119

Component Description

NBS000BZ

Electric throttle control actuator consists of throttle control motor, throttle position sensor, etc. The throttle control motor is operated by the ECM and it opens and closes the throttle valve. The throttle position sensor detects the throttle valve position, and the opening and closing speed of the throttle valve and feeds the voltage signals to the ECM. The ECM judges the current opening angle of the throttle valve from these signals and the ECM controls the throttle control motor to make the throttle valve opening angle properly in response to driving condition.

On Board Diagnosis Logic

NBS000C0

This self-diagnosis has the one trip detection logic.

DTC No.	Trouble diagnosis name	DTC detecting condition		Possible cause
P1238 1238 (Bank 2)	Electric throttle control actuator	A)	Electric throttle control actuator does not function properly due to the return spring malfunction.	● Electric throttle control actuator
P2119 2119 (Bank 1)		B)	Throttle valve opening angle in fail-safe mode is not in specified range.	
		C)	ECM detects the throttle valve is stuck open.	

FAIL-SAFE MODE

When the malfunction is detected, ECM enters fail-safe mode and the MIL lights up.

Detected items	Engine operating condition in fail-safe mode
Malfunction A	ECM controls the electric throttle actuator by regulating the throttle opening around the idle position. The engine speed will not rise more than 2,000 rpm.
Malfunction B	ECM controls the electric throttle control actuator by regulating the throttle opening to 20 degrees or less.
Malfunction C	While the vehicle is driving, it slows down gradually by fuel cut. After the vehicle stops, the engine stalls. The engine can restart in N or P (A/T), Neutral (M/T) position, and engine speed will not exceed 1,000 rpm or more.

DTC Confirmation Procedure

NBS000C1

NOTE:

- Perform **PROCEDURE FOR MALFUNCTION A AND B** first. If the DTC cannot be confirmed, perform **PROCEDURE FOR MALFUNCTION C**.
- If DTC Confirmation Procedure has been previously conducted, always turn ignition switch OFF and wait at least 10 seconds before conducting the next test.

PROCEDURE FOR MALFUNCTION A AND B

With CONSULT-III

1. Turn ignition switch ON and wait at least 1 second.
2. Set shift lever to D position (A/T) or 1st position (M/T), and wait at least 3 seconds.
3. Set shift lever to P position (A/T) or Neutral position (M/T).
4. Turn ignition switch OFF and wait at least 10 seconds.
5. Turn ignition switch ON and wait at least 1 second.
6. Set shift lever to D position (A/T) or 1st position (M/T), and wait at least 3 seconds.
7. Set shift lever to P position (A/T) or Neutral position (M/T).
8. Turn ignition switch OFF, wait at least 10 seconds, and then turn ON.
9. Check DTC.
10. If DTC is detected, go to [EC-581, "Diagnostic Procedure"](#).

With GST

Follow the procedure "With CONSULT-III" above.

DTC P1238, P2119 ELECTRIC THROTTLE CONTROL ACTUATOR

PROCEDURE FOR MALFUNCTION C

With CONSULT-III

1. Turn ignition switch ON and wait at least 1 second.
2. Set shift lever to D position (A/T) or 1st position (M/T) and wait at least 3 seconds.
3. Set shift lever to N, P position (A/T) or Neutral (M/T) position.
4. Start engine and let it idle for 3 seconds.
5. Check DTC.
6. If DTC is detected, go to [EC-581, "Diagnostic Procedure"](#) .

With GST

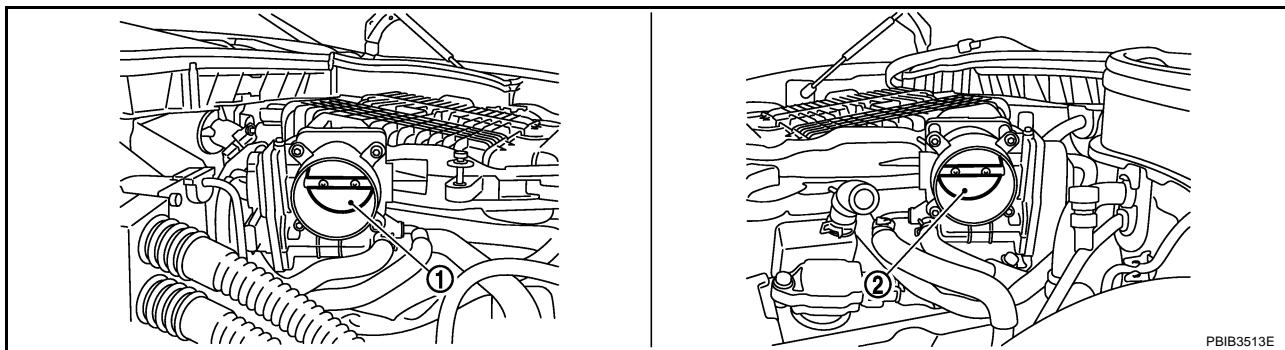
Follow the procedure "With CONSULT-III" above.

Diagnostic Procedure

NBS000C2

1. CHECK ELECTRIC THROTTLE CONTROL ACTUATOR VISUALLY

1. Remove the intake air duct.
2. Check if foreign matter is caught between the throttle valve and the housing.



1. Throttle valve (bank 1)

2. Throttle valve (bank 2)

OK or NG

OK >> GO TO 2.

NG >> Remove the foreign matter and clean the electric throttle control actuator inside.

2. REPLACE ELECTRIC THROTTLE CONTROL ACTUATOR

1. Replace the electric throttle control actuator.
2. Perform [EC-77, "Throttle Valve Closed Position Learning"](#) .
3. Perform [EC-77, "Idle Air Volume Learning"](#) .

>> INSPECTION END

DTC P1239, P2135 TP SENSOR

PF16119

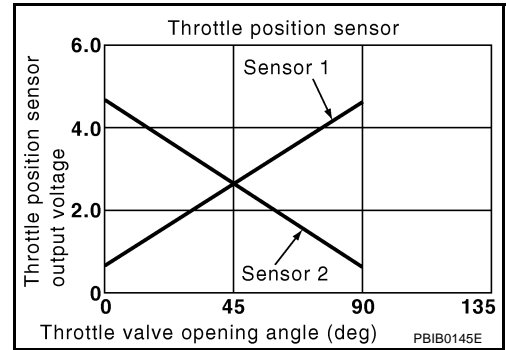
DTC P1239, P2135 TP SENSOR

Component Description

NBS000H5

Electric throttle control actuator consists of throttle control motor, throttle position sensor, etc. The throttle position sensor responds to the throttle valve movement.

The throttle position sensor has two sensors. These sensors are a kind of potentiometers which transform the throttle valve position into output voltage, and emit the voltage signal to the ECM. In addition, these sensors detect the opening and closing speed of the throttle valve and feed the voltage signals to the ECM. The ECM judges the current opening angle of the throttle valve from these signals and the ECM controls the throttle control motor to make the throttle valve opening angle properly in response to driving condition.



CONSULT-III Reference Value in Data Monitor Mode

NBS000H6

Specification data are reference values.

MONITOR ITEM	CONDITION		SPECIFICATION
TP SEN 1-B1 TP SEN 2-B1*1	<ul style="list-style-type: none"> Ignition switch: ON (Engine stopped) Shift lever: D (A/T) or 1st (M/T) position 	Accelerator pedal: Fully released	More than 0.36V
TP SEN 1-B2 TP SEN 2-B2*1		Accelerator pedal: Fully depressed	Less than 4.75V

*: Throttle position sensor 2 signal is converted by ECM internally. Thus, it differs from ECM terminal voltage signal.

On Board Diagnosis Logic

NBS000H7

This self-diagnosis has the one trip detection logic.

NOTE:

If DTC P1239 or P2135 is displayed with DTC P0643, first perform the trouble diagnosis for DTC P0643. Refer to [EC-514, "DTC P0643 SENSOR POWER SUPPLY"](#).

DTC No.	Trouble diagnosis name	DTC detecting condition	Possible cause
P2135 2135	Throttle position sensor circuit range/performance	Rationally incorrect voltage is sent to ECM compared with the signals from TP sensor 1 and TP sensor 2.	<ul style="list-style-type: none"> Harness or connector (TP sensor 1 and 2 circuit is open or shorted.) Electric throttle control actuator (TP sensor 1 and 2)

FAIL-SAFE MODE

When the malfunction is detected, the ECM enters fail-safe mode and the MIL lights up.

Engine operation condition in fail-safe mode

The ECM controls the electric throttle control actuator in regulating the throttle opening in order for the idle position to be within +10 degrees.

The ECM regulates the opening speed of the throttle valve to be slower than the normal condition.

So, the acceleration will be poor.

DTC P1239, P2135 TP SENSOR

DTC Confirmation Procedure

NBS000H8

NOTE:

If DTC Confirmation Procedure has been previously conducted, always turn ignition switch OFF and wait at least 10 seconds before conducting the next test.

TESTING CONDITION:

Before performing the following procedure, confirm that battery voltage is more than 8V at idle.

WITH CONSULT-III

1. Start engine and let it idle for 1 second.
2. Check DTC.
3. If DTC is detected, go to [EC-588, "Diagnostic Procedure"](#) .

WITH GST

Follow the procedure "WITH CONSULT-III" above.

A

EC

C

D

E

F

G

H

I

J

K

L

M

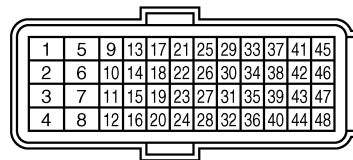
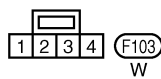
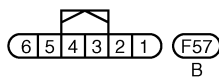
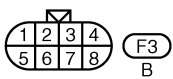
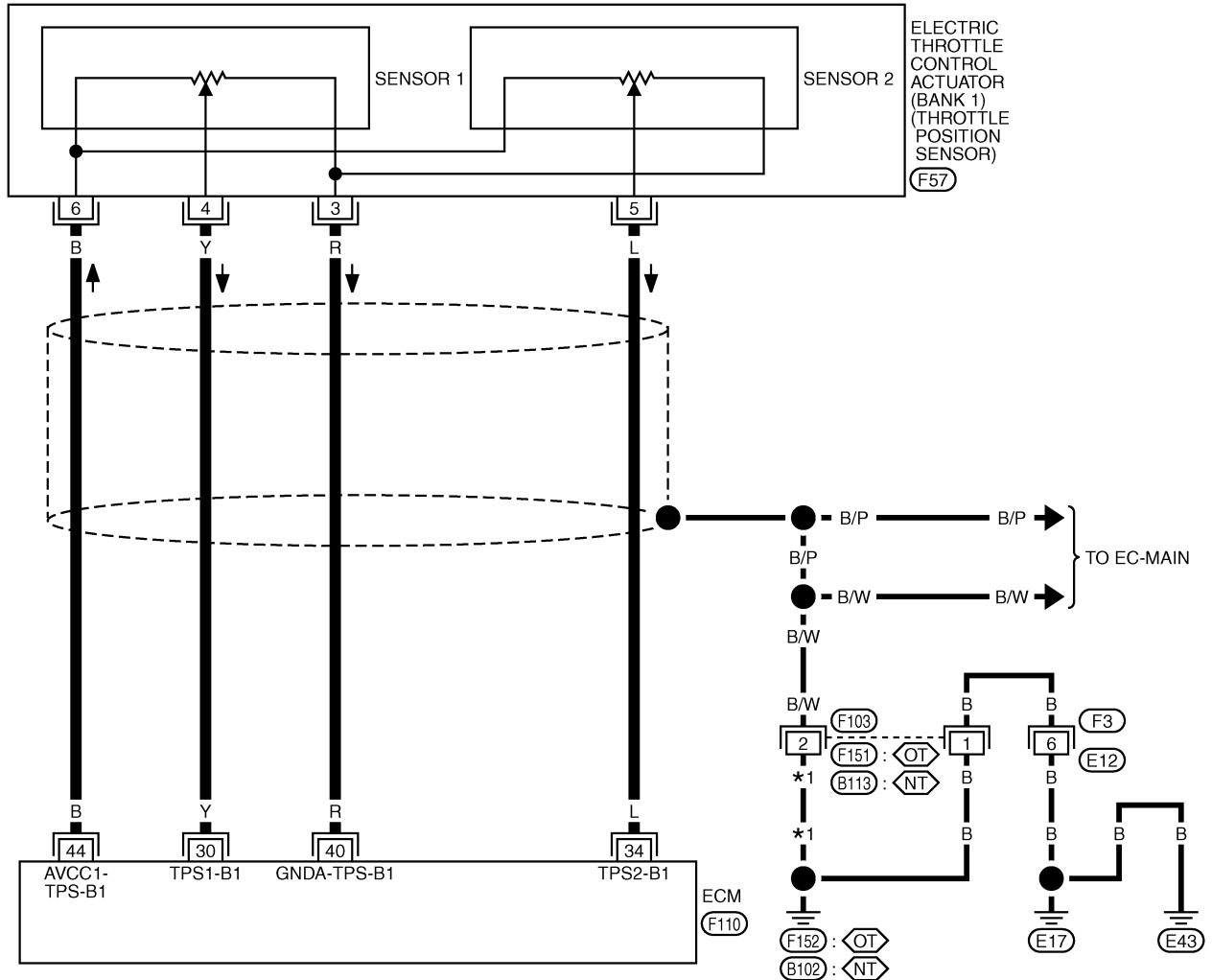
DTC P1239, P2135 TP SENSOR

NBS000H9

Wiring Diagram BANK 1

EC-TPS3B1-01

- : DETECTABLE LINE FOR DTC
- : NON-DETECTABLE LINE FOR DTC
- : WITH VDC SYSTEM, NAVIGATION SYSTEM OR TELEPHONE
- : WITHOUT VDC SYSTEM, NAVIGATION SYSTEM AND TELEPHONE
- *1 B :
- B/W :



TBWT1672E

DTC P1239, P2135 TP SENSOR

Specification data are reference values and are measured between each terminal and ground.
Pulse signal is measured by CONSULT-III.

CAUTION:

Do not use ECM ground terminals when measuring input/output voltage. Doing so may result in damage to the ECM's transistor. Use a ground other than ECM terminals, such as the ground.


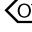


TER-MINAL NO.	WIRE COLOR	ITEM	CONDITION	DATA (DC Voltage)
30	Y	Throttle position sensor 1 (bank 1)	[Ignition switch: ON] <ul style="list-style-type: none"> ● Engine stopped ● Shift lever: D (A/T) or 1st (M/T) ● Accelerator pedal: Fully released 	More than 0.36V
			[Ignition switch: ON] <ul style="list-style-type: none"> ● Engine stopped ● Shift lever: D (A/T) or 1st (M/T) ● Accelerator pedal: Fully depressed 	Less than 4.75V
34	L	Throttle position sensor 2 (bank 1)	[Ignition switch: ON] <ul style="list-style-type: none"> ● Engine stopped ● Shift lever: D (A/T) or 1st (M/T) ● Accelerator pedal: Fully released 	Less than 4.75V
			[Ignition switch: ON] <ul style="list-style-type: none"> ● Engine stopped ● Shift lever: D (A/T) or 1st (M/T) ● Accelerator pedal: Fully depressed 	More than 0.36V
40	R	Sensor ground [Throttle position sensor (bank 1)]	[Engine is running] <ul style="list-style-type: none"> ● Warm-up condition ● Idle speed 	0V
44	B	Sensor power supply [Throttle position sensor (bank 1)]	[Ignition switch: ON]	5V

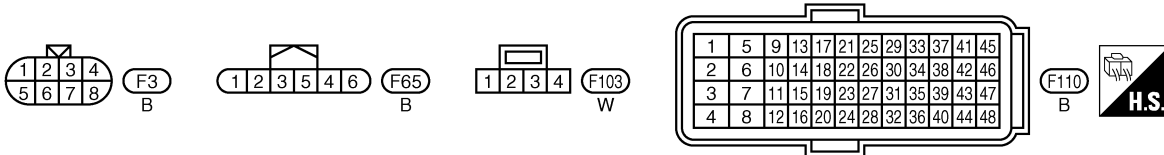
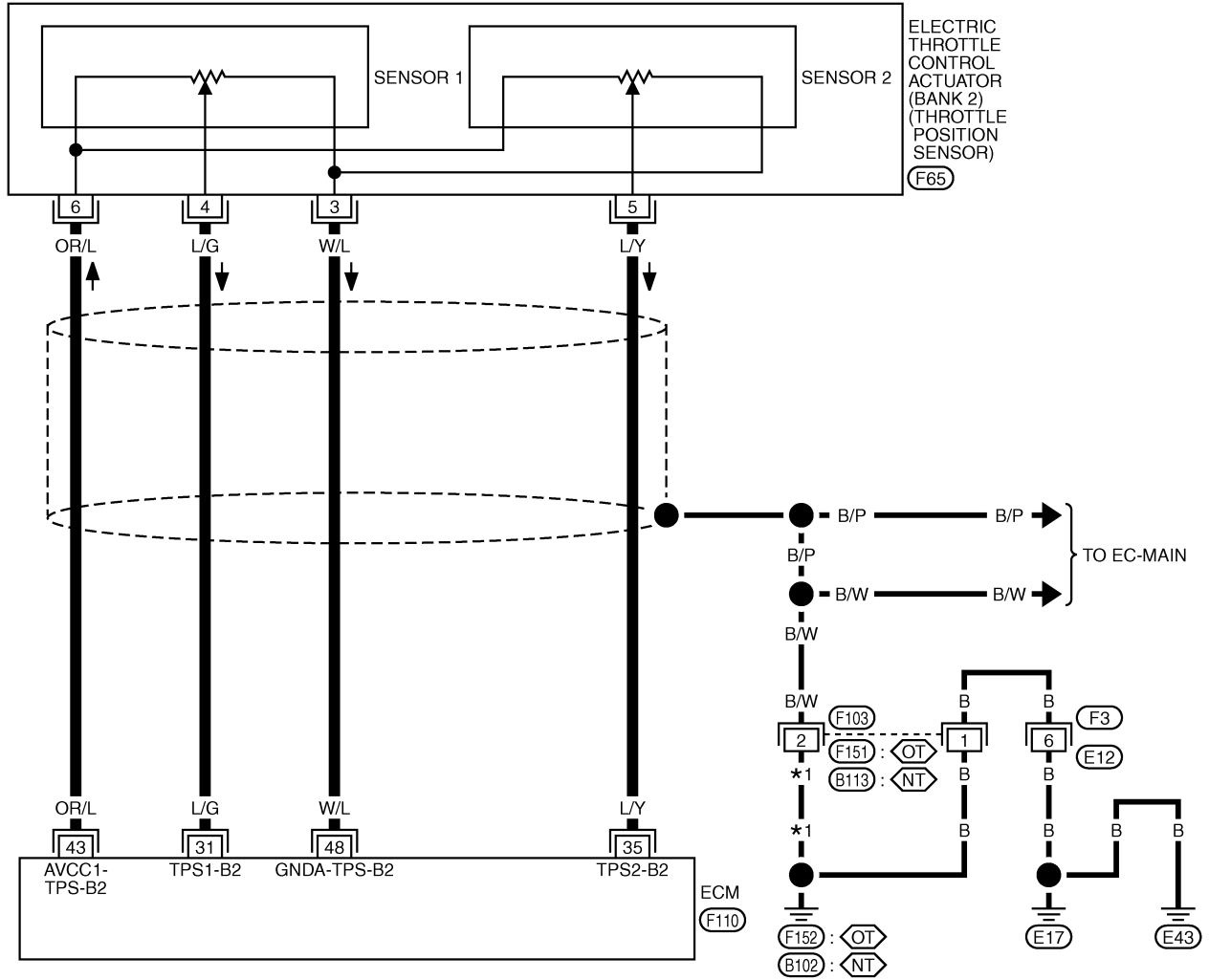
A
EC
C
D
E
F
G
H
I
J
K
L
M

DTC P1239, P2135 TP SENSOR

BANK 2

EC-TPS3B2-01

- : DETECTABLE LINE FOR DTC
- : NON-DETECTABLE LINE FOR DTC
-  : WITH VDC SYSTEM, NAVIGATION SYSTEM OR TELEPHONE
-  : WITHOUT VDC SYSTEM, NAVIGATION SYSTEM AND TELEPHONE
- *1 B : 
- B/W : 



TBWT1673E

DTC P1239, P2135 TP SENSOR

Specification data are reference values and are measured between each terminal and ground.
Pulse signal is measured by CONSULT-III.

CAUTION:

Do not use ECM ground terminals when measuring input/output voltage. Doing so may result in damage to the ECM's transistor. Use a ground other than ECM terminals, such as the ground.

TER-MINAL NO.	WIRE COLOR	ITEM	CONDITION	DATA (DC Voltage)
31	L/G	Throttle position sensor 1 (bank 2)	[Ignition switch: ON] <ul style="list-style-type: none"> ● Engine stopped ● Shift lever: D (A/T) or 1st (M/T) ● Accelerator pedal: Fully released 	More than 0.36V
			[Ignition switch: ON] <ul style="list-style-type: none"> ● Engine stopped ● Shift lever: D (A/T) or 1st (M/T) ● Accelerator pedal: Fully depressed 	Less than 4.75V
35	L/Y	Throttle position sensor 2 (bank 2)	[Ignition switch: ON] <ul style="list-style-type: none"> ● Engine stopped ● Shift lever: D (A/T) or 1st (M/T) ● Accelerator pedal: Fully released 	Less than 4.75V
			[Ignition switch: ON] <ul style="list-style-type: none"> ● Engine stopped ● Shift lever: D (A/T) or 1st (M/T) ● Accelerator pedal: Fully depressed 	More than 0.36V
43	OR/L	Sensor power supply [Throttle position sensor (bank 2)]	[Ignition switch: ON]	5V
48	W/L	Sensor ground [Throttle position sensor (bank 2)]	[Engine is running] <ul style="list-style-type: none"> ● Warm-up condition ● Idle speed 	0V

A
EC
C
D
E
F
G
H
I
J
K
L
M

DTC P1239, P2135 TP SENSOR

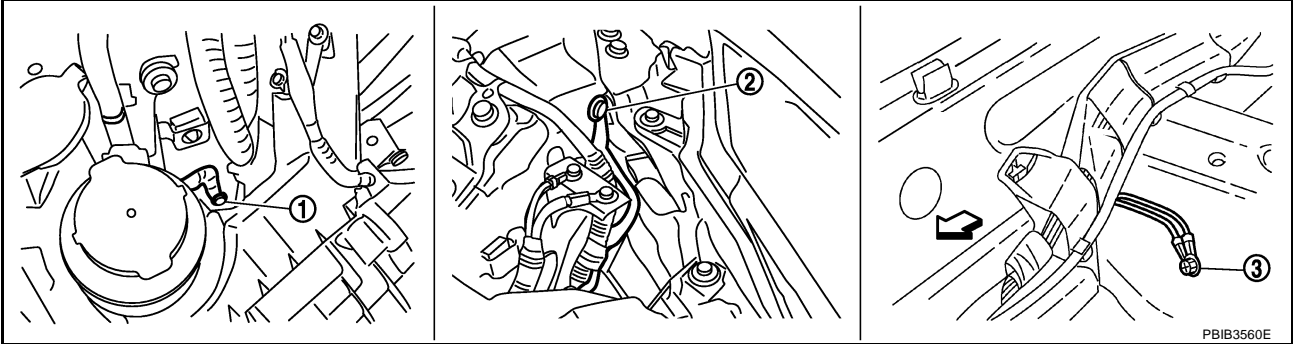
NBS000HA

Diagnostic Procedure

1. CHECK GROUND CONNECTIONS

Models with VDC system, navigation system or telephone

1. Turn ignition switch OFF.
2. Loosen and retighten ground screws on the body. Refer to [EC-150, "Ground Inspection"](#).



1. Body ground E17

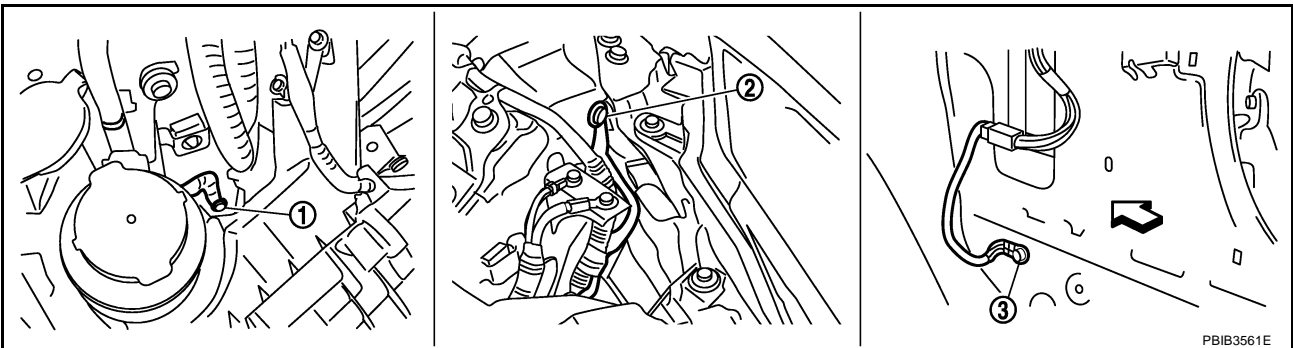
2. Body ground E43

3. Body ground B102

↔ Vehicle front

Models without VDC system, navigation system and telephone

1. Turn ignition switch OFF.
2. Loosen and retighten ground screws on the body. Refer to [EC-150, "Ground Inspection"](#).



1. Body ground E17

2. Body ground E43

3. Body ground F152
(Passenger side view with dash side
finisher removed)

↔ Vehicle front

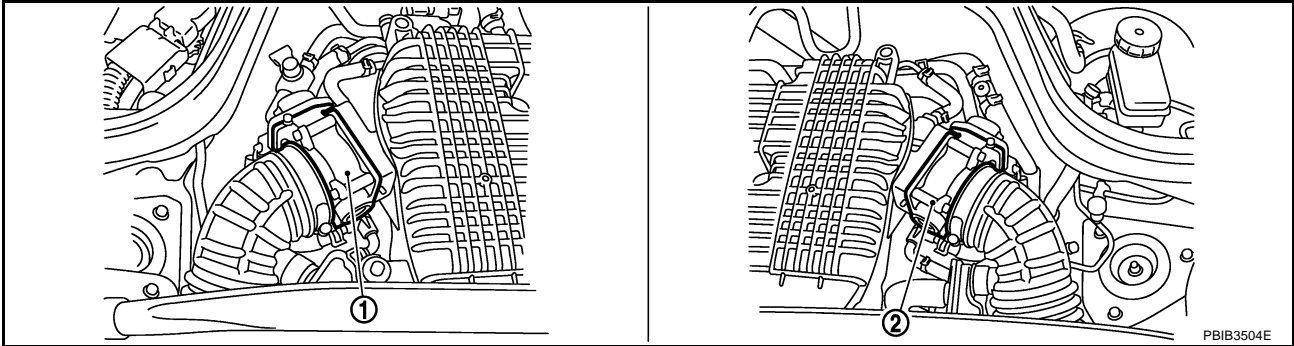
OK or NG

- OK >> GO TO 2.
NG >> Repair or replace ground connections.

DTC P1239, P2135 TP SENSOR

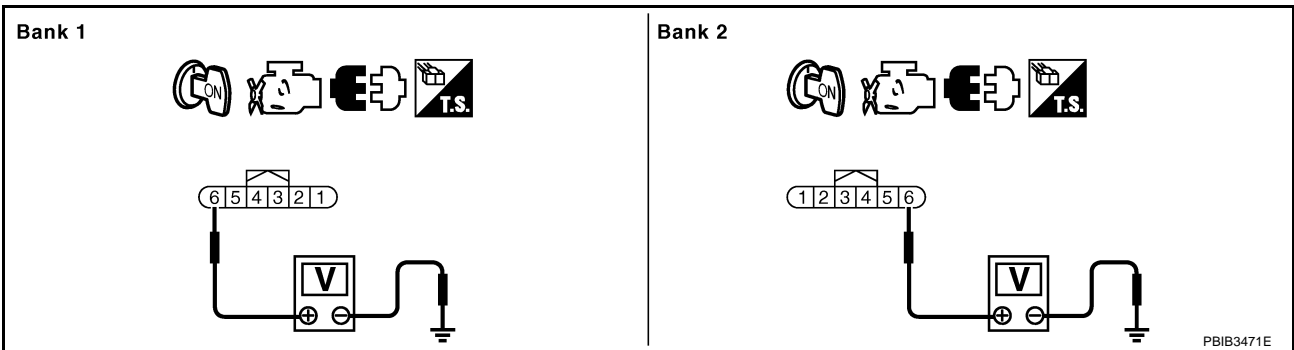
2. CHECK THROTTLE POSITION SENSOR POWER SUPPLY CIRCUIT-I

1. Disconnect electric throttle control actuator harness connector.



1. Electric throttle control actuator (bank 1)
2. Electric throttle control actuator (bank 2)

2. Turn ignition switch ON.
3. Check voltage between electric throttle control actuator terminal 6 and ground with CONSULT-III or tester.



Voltage: Approximately 5V

OK or NG

OK >> GO TO 3.

NG >> Repair open circuit or short to ground or short to ground or short to power in harness or connectors.

3. CHECK THROTTLE POSITION SENSOR GROUND CIRCUIT FOR OPEN AND SHORT

1. Turn ignition switch OFF.
2. Disconnect ECM harness connector.
3. Check harness continuity between electric throttle control actuator terminal 3 and ECM terminal 40 (bank 1) or 48 (bank 2). Refer to Wiring Diagram.

Continuity should exist.

4. Also check harness for short to ground and short to power.

OK or NG

OK >> GO TO 4.

NG >> Repair open circuit or short to ground or short to power in harness or connectors.

DTC P1239, P2135 TP SENSOR

4. CHECK THROTTLE POSITION SENSOR INPUT SIGNAL CIRCUIT FOR OPEN AND SHORT

1. Check harness continuity between the following;
ECM terminal 30 (bank 1) or 31 (bank 2) and electric throttle control actuator terminal 4,
ECM terminal 34 (bank 1) or 35 (bank 2) and electric throttle control actuator terminal 5.
Refer to Wiring Diagram.

Continuity should exist.

2. Also check harness for short to ground and short to power.

OK or NG

OK >> GO TO 5.

NG >> Repair open circuit or short to ground or short to power in harness or connectors.

5. CHECK THROTTLE POSITION SENSOR

Refer to [EC-590, "Component Inspection"](#) .

OK or NG

OK >> GO TO 7.

NG >> GO TO 6.

6. REPLACE ELECTRIC THROTTLE CONTROL ACTUATOR

1. Replace the electric throttle control actuator.
2. Perform [EC-77, "Throttle Valve Closed Position Learning"](#) .
3. Perform [EC-77, "Idle Air Volume Learning"](#) .

>> INSPECTION END

7. CHECK INTERMITTENT INCIDENT

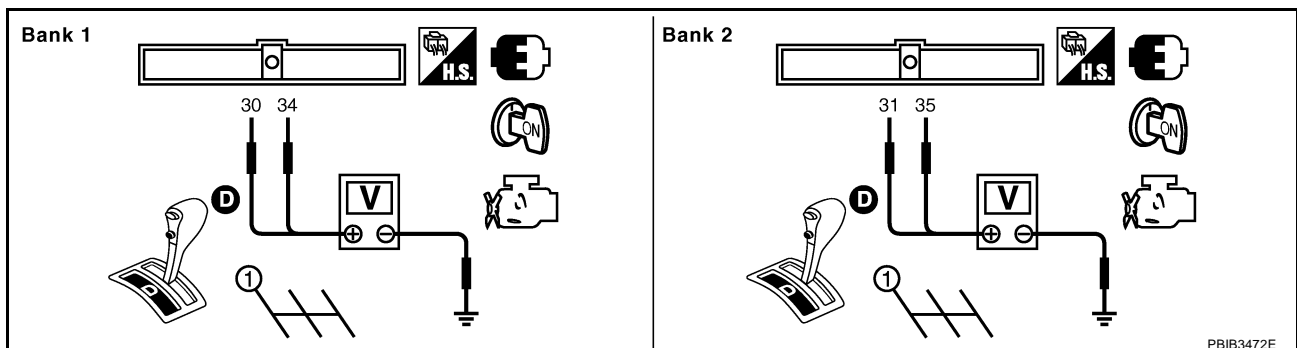
Refer to [EC-141, "TROUBLE DIAGNOSIS FOR INTERMITTENT INCIDENT"](#) .

>> INSPECTION END

Component Inspection THROTTLE POSITION SENSOR

NBS000HB

1. Reconnect all harness connectors disconnected.
2. Perform [EC-77, "Throttle Valve Closed Position Learning"](#) .
3. Turn ignition switch ON.
4. Set shift lever to D (A/T) or 1st (M/T) position.
5. Check voltage between ECM terminals 30 [TP sensor 1 (bank 1) signal], 31 [TP sensor 1 (bank 2) signal], 34 [TP sensor 2 (bank 1) signal], 35 [TP sensor 2 (bank 2) signal] and ground under the following conditions.



DTC P1239, P2135 TP SENSOR

Terminal	Accelerator pedal	Voltage
30 [TP sensor 1 (bank 1)]	Fully released	More than 0.36V
31 [TP sensor 1 (bank 2)]	Fully depressed	Less than 4.75V
34 [TP sensor 2 (bank 1)]	Fully released	Less than 4.75V
35 [TP sensor 2 (bank 2)]	Fully depressed	More than 0.36V

6. If NG, replace electric throttle control actuator and go to the next step.
7. Perform [EC-77, "Throttle Valve Closed Position Learning"](#) .
8. Perform [EC-77, "Idle Air Volume Learning"](#) .

Removal and Installation ELECTRIC THROTTLE CONTROL ACTUATOR

Refer to [EM-17, "INTAKE MANIFOLD COLLECTOR"](#) .

A

EC

C

D

NBS000HC

E

F

G

H

I

J

K

L

M

DTC P1290, P2100, P2103 THROTTLE CONTROL MOTOR RELAY

DTC P1290, P2100, P2103 THROTTLE CONTROL MOTOR RELAY

PFP:16119

Component Description

NBS000CA

Power supply for the throttle control motor is provided to the ECM via throttle control motor relay. The throttle control motor relay is ON/OFF controlled by the ECM. When the ignition switch is turned ON, the ECM sends an ON signal to throttle control motor relay and battery voltage is provided to the ECM. When the ignition switch is turned OFF, the ECM sends an OFF signal to throttle control motor relay and battery voltage is not provided to the ECM.

CONSULT-III Reference Value in Data Monitor Mode

NBS000CB

Specification data are reference values.

MONITOR ITEM	CONDITION	SPECIFICATION
THRTL RELAY	● Ignition switch: ON	ON

On Board Diagnosis Logic

NBS000CC

These self-diagnoses have the one trip detection logic.

DTC No.	Trouble diagnosis name	DTC detecting condition	Possible cause
P1290 1290 (Bank 2)	Throttle control motor relay circuit open	ECM detects a voltage of power source for throttle control motor is excessively low.	● Harness or connectors (The throttle control motor relay circuit is open) ● Throttle control motor relay
P2100 2100 (Bank 1)			
P2103 2103	Throttle control motor relay circuit short	ECM detect the throttle control motor relay is stuck ON.	● Harness or connectors (The throttle control motor relay circuit is shorted) ● Throttle control motor relay

FAIL-SAFE MODE

When the malfunction is detected, ECM enters fail-safe mode and the MIL lights up.

Engine operating condition in fail-safe mode

ECM stops the electric throttle control actuator control, throttle valve is maintained at a fixed opening (approx. 5 degrees) by the return spring.

DTC Confirmation Procedure

NBS000CD

NOTE:

If DTC Confirmation Procedure has been previously conducted, always turn ignition switch OFF and wait at least 10 seconds before conducting the next test.

PROCEDURE FOR DTC P1290, P2100

TESTING CONDITION:

Before performing the following procedure, confirm that battery voltage is more than 8V.

With CONSULT-III

1. Turn ignition switch ON and wait at least 2 seconds.
2. Start engine and let it idle for 5 seconds.
3. Check DTC.
4. If DTC is detected, go to [EC-597, "Diagnostic Procedure"](#).

With GST

Follow the procedure "With CONSULT-III" above.

PROCEDURE FOR DTC P2103

With CONSULT-III

1. Turn ignition switch ON and wait at least 1 second.
2. Start engine and let it idle for 5 seconds.

DTC P1290, P2100, P2103 THROTTLE CONTROL MOTOR RELAY

3. Check DTC.
4. If DTC is detected, go to [EC-597, "Diagnostic Procedure"](#) .

 **With GST**

Follow the procedure "With CONSULT-III" above.

A

EC

C

D

E

F

G

H

I

J

K

L

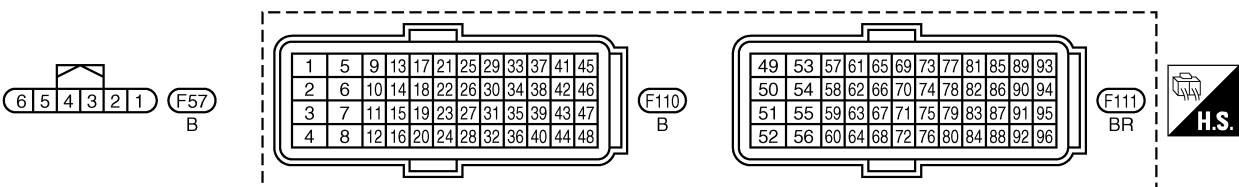
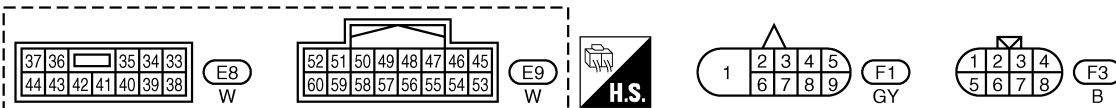
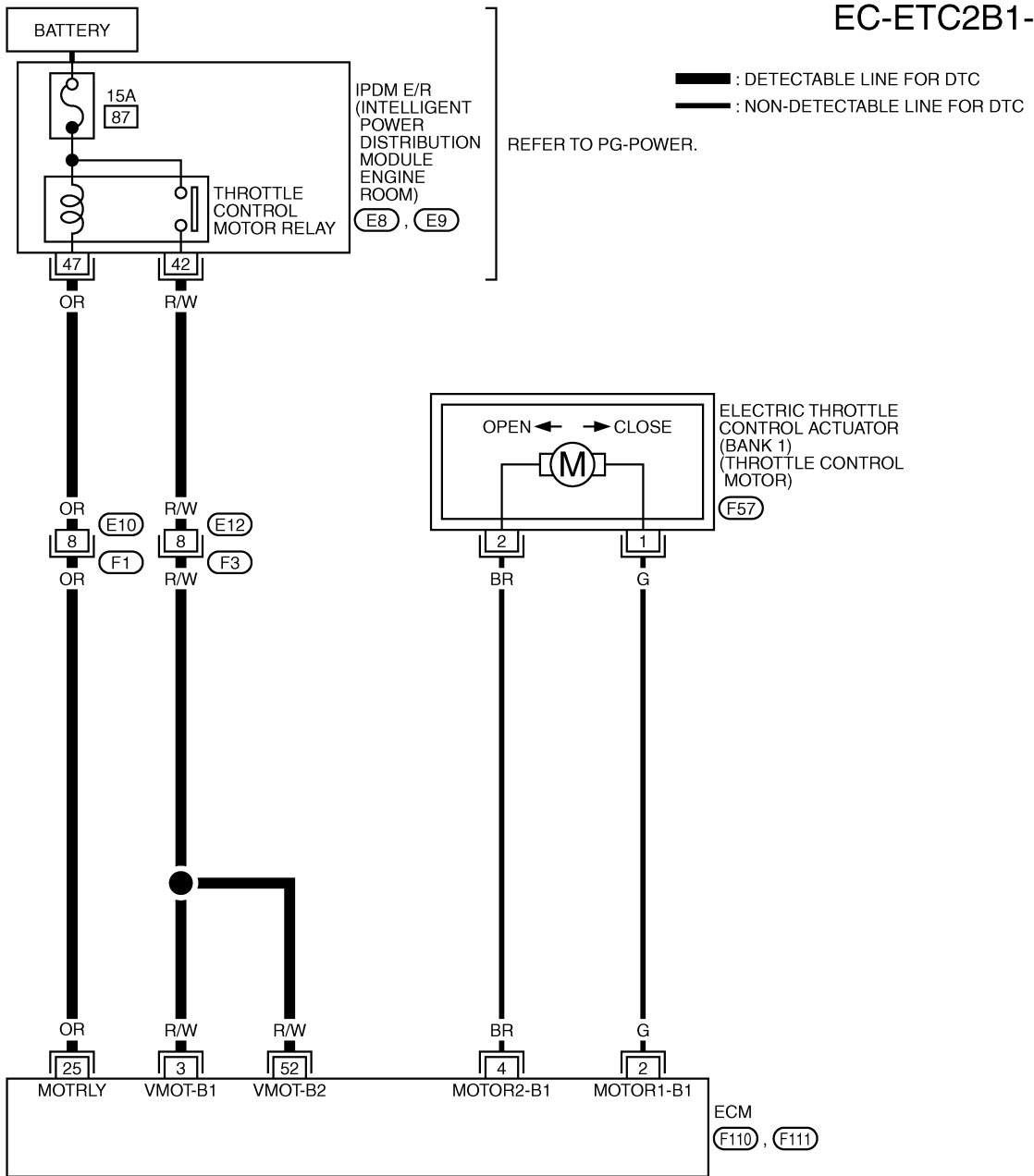
M

DTC P1290, P2100, P2103 THROTTLE CONTROL MOTOR RELAY

NBS000CE

Wiring Diagram BANK 1

EC-ETC2B1-01



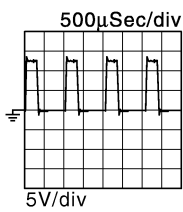
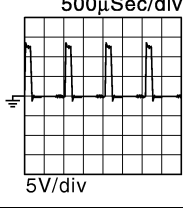
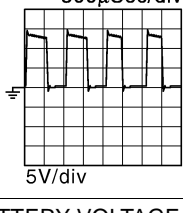
TBWT1664E

DTC P1290, P2100, P2103 THROTTLE CONTROL MOTOR RELAY

Specification data are reference values and are measured between each terminal and ground.
Pulse signal is measured by CONSULT-III.

CAUTION:

Do not use ECM ground terminals when measuring input/output voltage. Doing so may result in damage to the ECM's transistor. Use a ground other than ECM terminals, such as the ground.

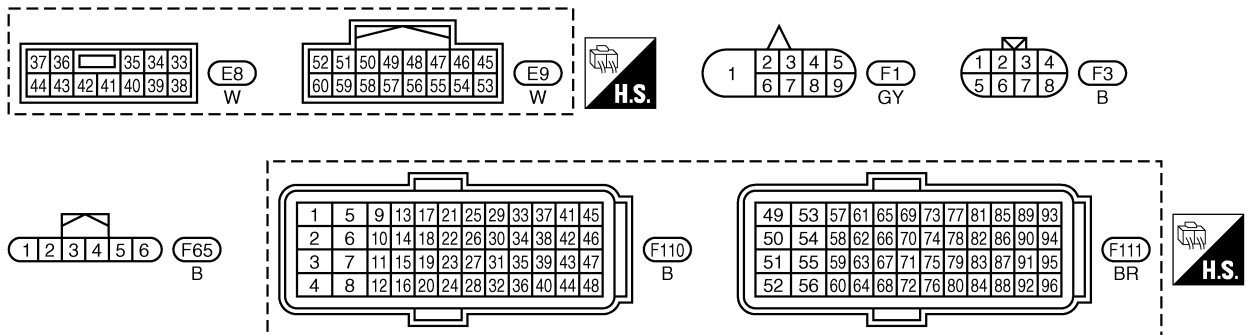
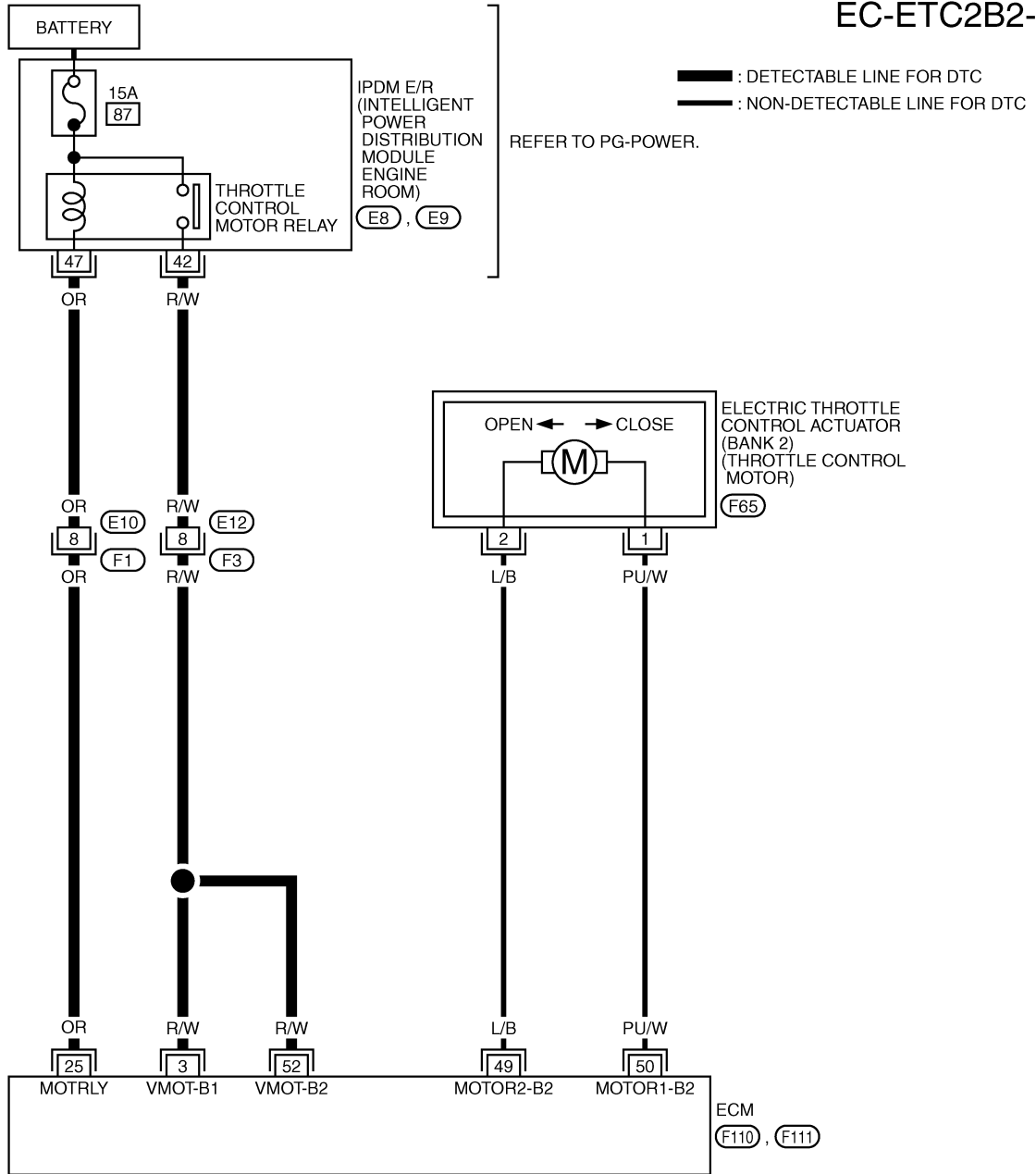
TER-MINAL NO.	WIRE COLOR	ITEM	CONDITION	DATA (DC Voltage)
2	G	Throttle control motor (Open) (bank 1)	[Ignition switch: ON] <ul style="list-style-type: none"> ● Engine stopped ● Shift lever: D (A/T) or 1st (M/T) ● Accelerator pedal: Fully depressed 	0 - 14V★  <small>PBIB3539E</small>
			[Ignition switch: ON] <ul style="list-style-type: none"> ● Engine stopped ● Shift lever: D (A/T) or 1st (M/T) ● Accelerator pedal: Fully released 	0 - 14V★  <small>PBIB3540E</small>
3	R/W	Throttle control motor relay power supply (bank 1)	[Ignition switch: ON]	BATTERY VOLTAGE (11 - 14V)
4	BR	Throttle control motor (Close) (bank 1)	[Ignition switch: ON] <ul style="list-style-type: none"> ● Engine stopped ● Shift lever: D (A/T) or 1st (M/T) ● Accelerator pedal: In the middle of releasing operation 	0 - 14V★  <small>PBIB3541E</small>
25	OR	Throttle control motor relay	[Ignition switch: OFF]	BATTERY VOLTAGE (11 - 14V)
			[Ignition switch: ON]	0 - 1.0V
52	R/W	Throttle control motor relay power supply (bank 2)	[Ignition switch: ON]	BATTERY VOLTAGE (11 - 14V)

★: Average voltage for pulse signal (Actual pulse signal can be confirmed by oscilloscope.)

DTC P1290, P2100, P2103 THROTTLE CONTROL MOTOR RELAY

BANK 2

EC-ETC2B2-01



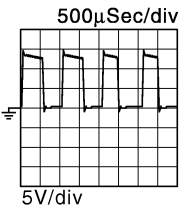
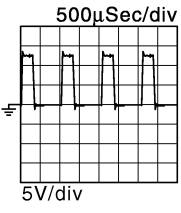
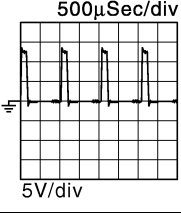
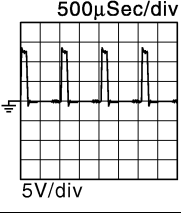
TBWT1665E

DTC P1290, P2100, P2103 THROTTLE CONTROL MOTOR RELAY

Specification data are reference values and are measured between each terminal and ground.
Pulse signal is measured by CONSULT-III.

CAUTION:

Do not use ECM ground terminals when measuring input/output voltage. Doing so may result in damage to the ECM's transistor. Use a ground other than ECM terminals, such as the ground.

TER-MINAL NO.	WIRE COLOR	ITEM	CONDITION	DATA (DC Voltage)
3	R/W	Throttle control motor relay power supply (bank 1)	[Ignition switch: ON]	BATTERY VOLTAGE (11 - 14V)
25	OR	Throttle control motor relay	[Ignition switch: OFF]	BATTERY VOLTAGE (11 - 14V)
			[Ignition switch: ON]	0 - 1.0V
49	L/B	Throttle control motor (Close) (bank 2)	[Ignition switch: ON] ● Engine stopped ● Shift lever: D (A/T) or 1st (M/T) ● Accelerator pedal: In the middle of releasing operation	0 - 14V★ 
			[Ignition switch: ON] ● Engine stopped ● Shift lever: D (A/T) or 1st (M/T) ● Accelerator pedal: Fully depressed	0 - 14V★ 
50	PU/W	Throttle control motor (Open) (bank 2)	[Ignition switch: ON] ● Engine stopped ● Shift lever: D (A/T) or 1st (M/T) ● Accelerator pedal: Fully depressed	0 - 14V★ 
			[Ignition switch: ON] ● Engine stopped ● Shift lever: D (A/T) or 1st (M/T) ● Accelerator pedal: Fully released	0 - 14V★ 
52	R/W	Throttle control motor relay power supply (bank 2)	[Ignition switch: ON]	BATTERY VOLTAGE (11 - 14V)

★: Average voltage for pulse signal (Actual pulse signal can be confirmed by oscilloscope.)

Diagnostic Procedure

NBS000CF

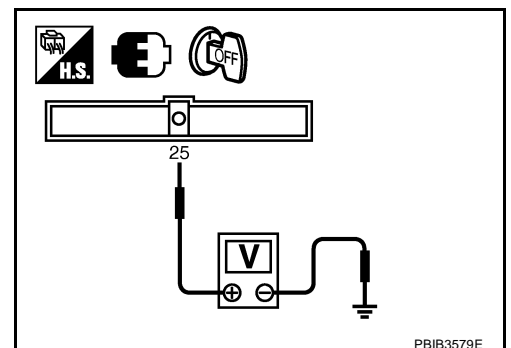
1. CHECK THROTTLE CONTROL MOTOR RELAY POWER SUPPLY CIRCUIT-I

- Turn ignition switch OFF.
- Check voltage between ECM terminal 25 and ground with CONSULT-III or tester.

Voltage: Battery voltage

OK or NG

- OK >> GO TO 5.
NG >> GO TO 2.



DTC P1290, P2100, P2103 THROTTLE CONTROL MOTOR RELAY

2. CHECK THROTTLE CONTROL MOTOR RELAY POWER SUPPLY CIRCUIT-II

1. Disconnect ECM harness connector.
2. Disconnect IPDM E/R harness connector E9.
3. Check continuity between ECM terminal 25 and IPDM E/R terminal 47.
Refer to Wiring Diagram.

Continuity should exist.

4. Also check harness for short to ground and short to power.

OK or NG

- OK >> GO TO 4.
NG >> GO TO 3.

3. DETECT MALFUNCTIONING PART

Check the following.

- Harness connectors E10, F1
- Harness for open or short between ECM and IPDM E/R

>> Repair open circuit or short to ground or short to power in harness or connectors.

4. CHECK FUSE

1. Disconnect 15A fuse.
2. Check 15A fuse for blown.

OK or NG

- OK >> GO TO 8.
NG >> Replace 15A fuse.

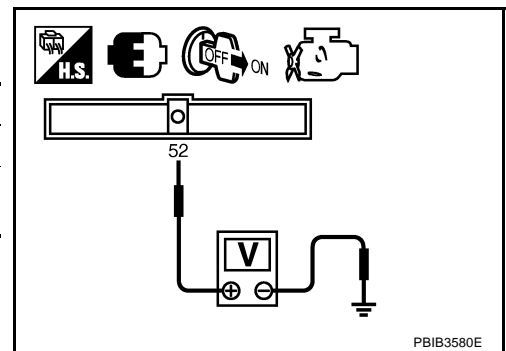
5. CHECK THROTTLE CONTROL MOTOR RELAY INPUT SIGNAL CIRCUIT-I

Check voltage between ECM terminal 3 (bank 1), 52 (bank 2) and ground under the following conditions with CONSULT-III or tester.

Ignition switch	Voltage
OFF	Approximately 0V
ON	Battery voltage (11 - 14V)

OK or NG

- OK >> GO TO 8.
NG >> GO TO 6.



6. CHECK THROTTLE CONTROL MOTOR RELAY INPUT SIGNAL CIRCUIT-II

1. Disconnect ECM harness connector.
2. Disconnect IPDM E/R harness connector E8.
3. Check continuity between ECM terminal 3 (bank 1), 52 (bank 2) and IPDM E/R terminal 42.
Refer to Wiring Diagram.

Continuity should exist.

4. Also check harness for short to ground and short to power.

OK or NG

- OK >> GO TO 8.
NG >> GO TO 7.

DTC P1290, P2100, P2103 THROTTLE CONTROL MOTOR RELAY

7. DETECT MALFUNCTIONING PART

Check the following.

- Harness connectors E12, F3
- Harness for open or short between ECM and IPDM E/R

>> Repair open circuit or short to ground or short to power in harness or connectors.

8. CHECK INTERMITTENT INCIDENT

Refer to [EC-141, "TROUBLE DIAGNOSIS FOR INTERMITTENT INCIDENT"](#) .

OK or NG

- OK >> Replace IPDM E/R. Refer to [PG-16, "IPDM E/R \(INTELLIGENT POWER DISTRIBUTION MODULE ENGINE ROOM\)"](#) .
- NG >> Repair or replace harness or connectors.

A

EC

C

D

E

F

G

H

I

J

K

L

M

DTC P1421 COLD START CONTROL

DTC P1421 COLD START CONTROL

PFP:23710

Description

NBS006TX

ECM controls ignition timing and engine idle speed when engine is started with prewarming up condition. This control promotes the activation of three way catalyst by heating the catalyst and reduces emissions.

On Board Diagnosis Logic

NBS006TY

DTC No.	Trouble diagnosis name	DTC detecting condition	Possible cause
P1421 1421	Cold start emission reduction strategy monitoring	ECM does not control ignition timing and engine idle speed properly when engine is started with prewarming up condition.	<ul style="list-style-type: none">● Lack of intake air volume● Fuel injection system● ECM

DTC Confirmation Procedure

NBS006TZ

NOTE:

- If DTC Confirmation Procedure has been previously conducted, always turn ignition switch OFF and wait at least 10 seconds before conducting the next test.
- If DTC P1421 is displayed with other DTC, first perform the trouble diagnosis for other DTC.

TESTING CONDITION:

Before performing the following procedure, confirm that battery voltage is more than 11V at idle.

WITH CONSULT-III

1. Turn ignition switch OFF and wait at least 10 seconds.
2. Turn ignition switch ON.
3. Select "DATA MONITOR" mode with CONSULT-III.
4. Check that the "COOLAN TEMP/S" indication is between 4°C (39°F) and 36°C (97°F).
If "COOLAN TEMP/S" indication is within the specified value, go to the following step.
If "COOLANT TEMP/S" indication is out of the specified value, cool engine down or warm engine up and go to step 1.
5. Start engine and let it idle for 5 minutes.
6. Check 1st trip DTC.
7. If 1st trip DTC is detected, go to [EC-600, "Diagnostic Procedure"](#).

WITH GST

Follow the procedure "WITH CONSULT-III" above.

Diagnostic Procedure

NBS006U0

1. PERFORM IDLE AIR VOLUME LEARNING

Perform [EC-77, "Idle Air Volume Learning"](#).

Is Idle Air Volume Learning carried out successfully?

Yes or No

- Yes >> GO TO 2.
No >> Follow the instruction of Idle Air Volume Learning.

2. CHECK INTAKE SYSTEM

Check for the cause of intake air volume lacking. Refer to the following.

- Crushed intake air passage
- Intake air passage clogging

OK or NG

- OK >> GO TO 3.
NG >> Repair or replace malfunctioning part

DTC P1421 COLD START CONTROL

3. CHECK FUEL INJECTION SYSTEM FUNCTION

Perform [EC-324, "DTC Confirmation Procedure"](#) for DTC P0171.

OK or NG

OK >> GO TO 4.

NG >> Go to [EC-330, "Diagnostic Procedure"](#) for DTC P0171.

4. PERFORM DTC CONFIRMATION PROCEDURE

 **With CONSULT-III**

1. Turn ignition switch ON.
2. Select "SELF DIAG RESULTS" mode with CONSULT-III.
3. Touch "ERASE".
4. **Perform DTC Confirmation Procedure.**
See [EC-600, "DTC Confirmation Procedure"](#) .
5. Is the 1st trip DTC P1421 displayed again?

 **With GST**

1. Turn ignition switch ON.
2. Select Service \$04 with GST.
3. **Perform DTC Confirmation Procedure.**
See [EC-600, "DTC Confirmation Procedure"](#) .
4. Is the 1st trip DTC P1421 displayed again?

Yes or No

Yes >> GO TO 5.

No >> **INSPECTION END**

5. REPLACE ECM

1. Replace ECM.
2. Perform initialization of NVIS (NATS) system and registration of all NVIS (NATS) ignition key IDs.
Refer to [BL-152, "ECM Re-communicating Function"](#) .
3. Perform [EC-76, "VIN Registration"](#) .
4. Perform [EC-76, "Exhaust Valve Timing Control Learning"](#) .
5. Perform [EC-77, "Accelerator Pedal Released Position Learning"](#) .
6. Perform [EC-77, "Throttle Valve Closed Position Learning"](#) .
7. Perform [EC-77, "Idle Air Volume Learning"](#) .

>> **INSPECTION END**

DTC P1564 ASCD STEERING SWITCH

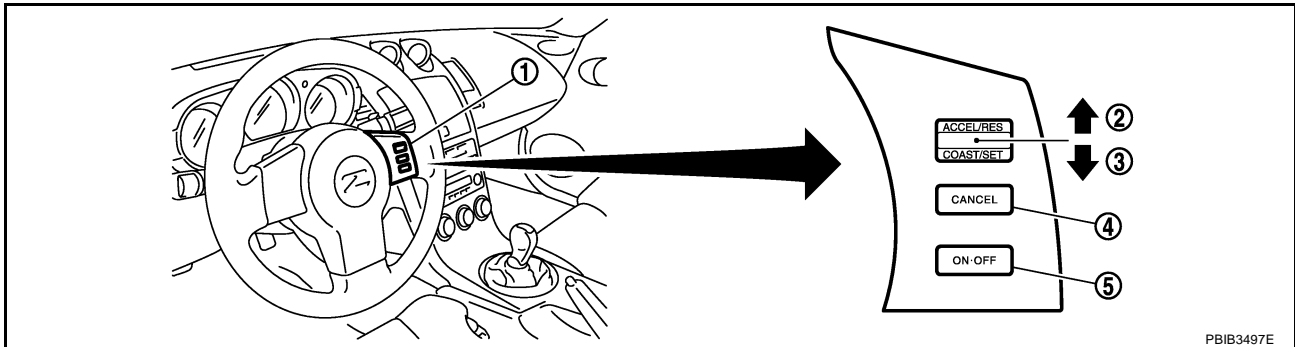
DTC P1564 ASCD STEERING SWITCH

PFP:25551

Component Description

NBS000FT

ASCD steering switch has variant values of electrical resistance for each button. ECM reads voltage variation of switch, and determines which button is operated.



1. ASCD steering switch
2. RESUME/ACCELERATE switch
3. SET/COAST switch
4. CANCEL switch
5. MAIN switch

Refer to [EC-30, "AUTOMATIC SPEED CONTROL DEVICE \(ASCD\)"](#) for the ASCD function.

CONSULT-III Reference Value in Data Monitor Mode

NBS000FU

Specification data are reference values.

MONITOR ITEM	CONDITION		SPECIFICATION
MAIN SW	● Ignition switch: ON	MAIN switch: Pressed	ON
		MAIN switch: Released	OFF
CANCEL SW	● Ignition switch: ON	CANCEL switch: Pressed	ON
		CANCEL switch: Released	OFF
RESUME/ACC SW	● Ignition switch: ON	RESUME/ACCELERATE switch: Pressed	ON
		RESUME/ACCELERATE switch: Released	OFF
SET SW	● Ignition switch: ON	SET/COAST switch: Pressed	ON
		SET/COAST switch: Released	OFF

On Board Diagnosis Logic

NBS000FV

- This self-diagnosis has the one trip detection logic.
- The MIL will not light up for this self-diagnosis.

NOTE:

If DTC P1564 is displayed with DTC P0605, first perform the trouble diagnosis for DTC P0605.

Refer to [EC-512, "DTC P0605 ECM"](#).

DTC No.	Trouble Diagnosis Name	DTC Detecting Condition	Possible Cause
P1564 1564	ASCD steering switch	<ul style="list-style-type: none"> ● An excessively high voltage signal from the ASCD steering switch is sent to ECM. ● ECM detects that input signal from the ASCD steering switch is out of the specified range. ● ECM detects that the ASCD steering switch is stuck ON. 	<ul style="list-style-type: none"> ● Harness or connectors (The switch circuit is open or shorted.) ● ASCD steering switch ● ECM

DTC P1564 ASCD STEERING SWITCH

NBS000FW

DTC Confirmation Procedure

NOTE:

If DTC Confirmation Procedure has been previously conducted, always turn ignition switch OFF and wait at least 10 seconds before conducting the next test.

WITH CONSULT-III

1. Turn ignition switch ON and wait at least 10 seconds.
2. Press MAIN switch for at least 10 seconds, then release it and wait at least 10 seconds.
3. Press CANCEL switch for at least 10 seconds, then release it and wait at least 10 seconds.
4. Press RESUME/ACCELERATE switch for at least 10 seconds, then release it and wait at least 10 seconds.
5. Press SET/COAST switch for at least 10 seconds, then release it and wait at least 10 seconds.
6. Check DTC.
7. If DTC is detected, go to [EC-606, "Diagnostic Procedure"](#) .

WITH GST

Follow the procedure "WITH CONSULT-III" above.

A

EC

C

D

E

F

G

H

I

J

K

L

M

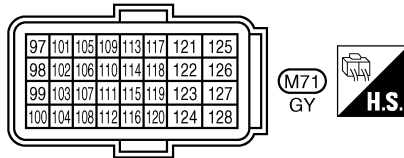
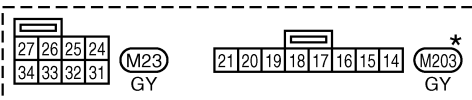
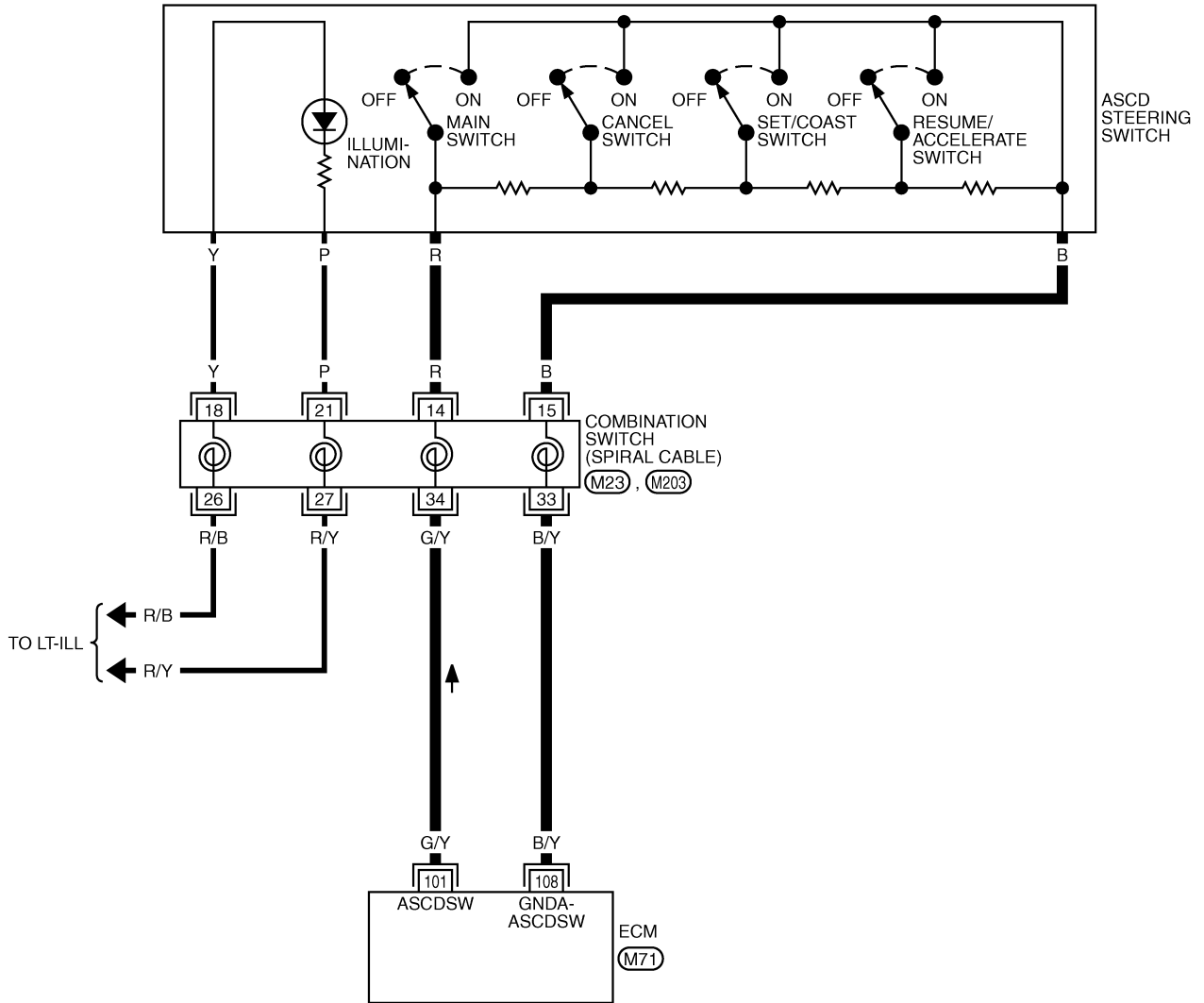
DTC P1564 ASCD STEERING SWITCH

Wiring Diagram

NBS000FX

EC-ASC/SW-01

: DETECTABLE LINE FOR DTC
 : NON-DETECTABLE LINE FOR DTC



*: THIS CONNECTOR IS NOT SHOWN IN "HARNESS LAYOUT", PG SECTION.

TBWT1660E

DTC P1564 ASCD STEERING SWITCH

Specification data are reference values and are measured between each terminal and ground.

CAUTION:

Do not use ECM ground terminals when measuring input/output voltage. Doing so may result in damage to the ECM's transistor. Use a ground other than ECM terminals, such as the ground.

TER-MINAL NO.	WIRE COLOR	ITEM	CONDITION	DATA (DC Voltage)
101	G/Y	ASCD steering switch	[Ignition switch: ON] ● ASCD steering switch: OFF	4V
			[Ignition switch: ON] ● MAIN switch: Pressed	0V
			[Ignition switch: ON] ● CANCEL switch: Pressed	1V
			[Ignition switch: ON] ● RESUME/ACCELERATE switch: Pressed	3V
			[Ignition switch: ON] ● SET/COAST switch: Pressed	2V
108	B/Y	Sensor ground (ASCD steering switch)	[Engine is running] ● Warm-up condition ● Idle speed	0V

A
EC
C
D
E
F
G
H
I
J
K
L
M

DTC P1564 ASCD STEERING SWITCH

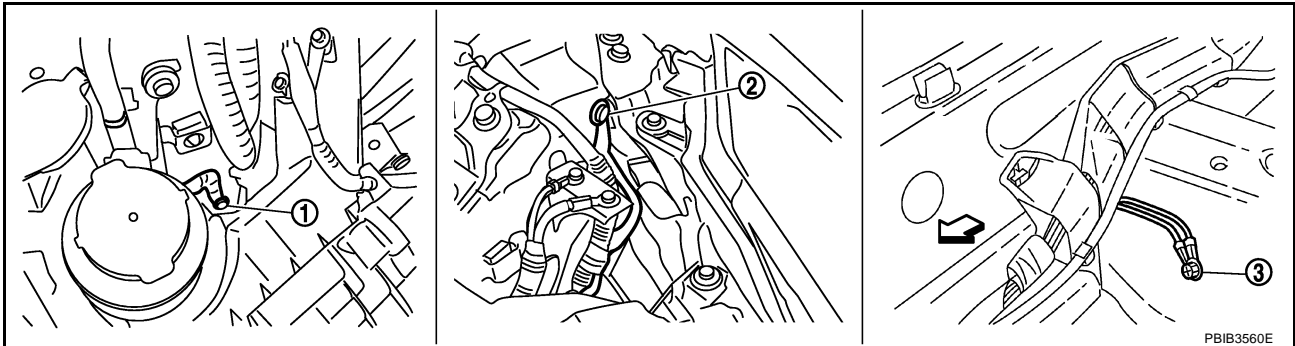
NBS000FY

Diagnostic Procedure

1. CHECK GROUND CONNECTIONS

Models with VDC system, navigation system or telephone

1. Turn ignition switch OFF.
2. Loosen and retighten ground screws on the body. Refer to [EC-150, "Ground Inspection"](#) .



1. Body ground E17

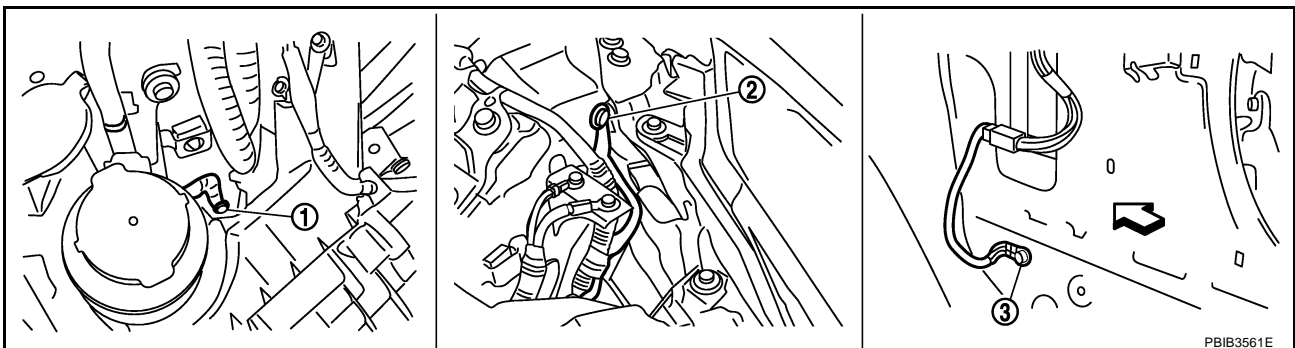
2. Body ground E43

3. Body ground B102

↔ Vehicle front

Models without VDC system, navigation system and telephone

1. Turn ignition switch OFF.
2. Loosen and retighten ground screws on the body. Refer to [EC-150, "Ground Inspection"](#) .



1. Body ground E17

2. Body ground E43

3. Body ground F152
(Passenger side view with dash side finisher removed)

↔ Vehicle front

OK or NG

OK >> GO TO 2.

NG >> Repair or replace ground connections.

DTC P1564 ASCD STEERING SWITCH

2. CHECK ASCD STEERING SWITCH CIRCUIT

With CONSULT-III

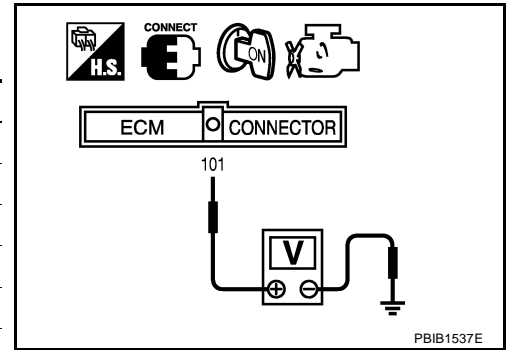
1. Turn ignition switch ON.
2. Select "MAIN SW", "RESUME/ACC SW", "SET SW" and "CANCEL SW" in "DATA MONITOR" mode with CONSULT-III.
3. Check each item indication under the following conditions.

Switch	Monitor item	Condition	Indication
MAIN switch	MAIN SW	Pressed	ON
		Released	OFF
CANCEL switch	CANCEL SW	Pressed	ON
		Released	OFF
RESUME/ACCELERATE switch	RESUME/ACC SW	Pressed	ON
		Released	OFF
SET/COAST switch	SET SW	Pressed	ON
		Released	OFF

Without CONSULT-III

1. Turn ignition switch ON.
2. Check voltage between ECM terminal 101 and ground with pressing each button.

Switch	Condition	Voltage [V]
MAIN switch	Pressed	Approx. 0
	Released	Approx. 4
CANCEL switch	Pressed	Approx. 1
	Released	Approx. 4
RESUME/ACCELERATE switch	Pressed	Approx. 3
	Released	Approx. 4
SET/COAST switch	Pressed	Approx. 2
	Released	Approx. 4



OK or NG

- OK >> GO TO 8.
 NG >> GO TO 3.

3. CHECK ASCD STEERING SWITCH GROUND CIRCUIT FOR OPEN AND SHORT

1. Turn ignition switch OFF.
2. Disconnect ECM harness connector.
3. Disconnect combination switch harness connector M203.
4. Check harness continuity between combination switch terminal 15 and ECM terminal 108. Refer to Wiring Diagram.

Continuity should exist.

5. Also check harness for short to ground and short to power.

OK or NG

- OK >> GO TO 5.
 NG >> GO TO 4.

DTC P1564 ASCD STEERING SWITCH

4. DETECT MALFUNCTIONING PART

Check the following.

- Combination switch (spiral cable)
- Harness for open and short between ECM and combination switch

>> Repair open circuit or short to ground or short to power in harness or connectors.

5. CHECK ASCD STEERING SWITCH INPUT SIGNAL CIRCUIT FOR OPEN AND SHORT

1. Check harness continuity between ECM terminal 101 and combination switch terminal 14. Refer to Wiring Diagram.

Continuity should exist.

2. Also check harness for short to ground and short to power.

OK or NG

OK >> GO TO 7.

NG >> GO TO 6.

6. DETECT MALFUNCTIONING PART

Check the following.

- Combination switch (spiral cable)
- Harness for open and short between ECM and combination switch

>> Repair open circuit or short to ground or short to power in harness or connectors.

7. CHECK ASCD STEERING SWITCH

Refer to [EC-609, "Component Inspection"](#) .

OK or NG

OK >> GO TO 8.

NG >> Replace steering wheel.

8. CHECK INTERMITTENT INCIDENT

Refer to [EC-141, "TROUBLE DIAGNOSIS FOR INTERMITTENT INCIDENT"](#) .

>> **INSPECTION END**

DTC P1564 ASCD STEERING SWITCH

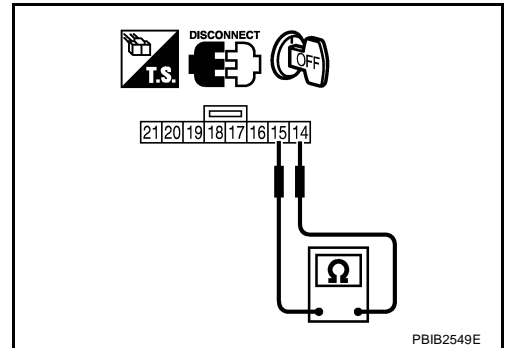
NBS000FZ

Component Inspection ASCD STEERING SWITCH

1. Disconnect combination switch (spiral cable) harness connector M203.
2. Check continuity between combination switch harness connector terminals 14 and 15 with pushing each switch.

Switch	Condition	Resistance [Ω]
MAIN switch	Pressed	Approx. 0
	Released	Approx. 4,000
CANCEL switch	Pressed	Approx. 250
	Released	Approx. 4,000
RESUME/ACCELERATE switch	Pressed	Approx. 1,480
	Released	Approx. 4,000
SET/COAST switch	Pressed	Approx. 660
	Released	Approx. 4,000

3. If NG, replace ASCD steering switch.



A
EC
C
D
E
F
G
H
I
J
K
L
M

DTC P1572 ASCD BRAKE SWITCH

DTC P1572 ASCD BRAKE SWITCH

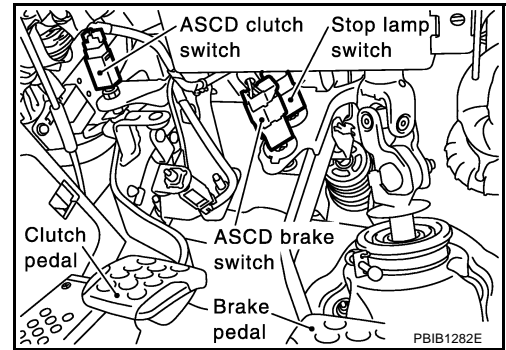
PFP:25320

Component Description

NBS000G0

When the brake pedal is depressed, ASCD brake switch is turned OFF and stop lamp switch is turned ON. ECM detects the state of the brake pedal by this input of two kinds (ON/OFF signal).

Refer to [EC-30, "AUTOMATIC SPEED CONTROL DEVICE \(ASCD\)"](#) for the ASCD function.



CONSULT-III Reference Value in Data Monitor Mode

NBS000G1

Specification data are reference values.

MONITOR ITEM	CONDITION		SPECIFICATION
BRAKE SW1 (ASCD brake switch)	● Ignition switch: ON	● Brake pedal: Fully released (A/T) ● Brake pedal and clutch pedal: Fully released (M/T)	ON
		● Brake pedal: Slightly depressed (A/T) ● Brake pedal and/or clutch pedal: Slightly depressed (M/T)	OFF
BRAKE SW2 (Stop lamp switch)	● Ignition switch: ON	Brake pedal: Fully released	OFF
		Brake pedal: Slightly depressed	ON

On Board Diagnosis Logic

NBS000G2

- This self-diagnosis has the one trip detection logic.
- The MIL will not light up for this self-diagnosis.

NOTE:

- If DTC P1572 is displayed with DTC P0605, first perform the trouble diagnosis for DTC P0605. Refer to [EC-512, "DTC P0605 ECM"](#).
- This self-diagnosis has the one trip detection logic. When malfunction A is detected, DTC is not stored in ECM memory. And in that case, 1st trip DTC and 1st trip freeze frame data are displayed. 1st trip DTC is erased when ignition switch OFF. And even when malfunction A is detected in two consecutive trips, DTC is not stored in ECM memory.

DTC No.	Trouble Diagnosis Name	DTC Detecting Condition		Possible Cause
P1572 1572	ASCD brake switch	A)	When the vehicle speed is above 30km/h (19 MPH), ON signals from the stop lamp switch and the ASCD brake switch are sent to ECM at the same time.	<ul style="list-style-type: none"> ● Harness or connectors (The stop lamp switch circuit is shorted.) ● Harness or connectors (The ASCD brake switch circuit is shorted.)
		B)	ASCD brake switch signal is not sent to ECM for extremely long time while the vehicle is driving	<ul style="list-style-type: none"> ● Harness or connectors (The ASCD clutch switch circuit is shorted.) (M/T models) ● Stop lamp switch ● ASCD brake switch ● ASCD clutch switch (M/T models) ● Incorrect stop lamp switch installation ● Incorrect ASCD brake switch installation ● Incorrect ASCD clutch switch installation (M/T models) ● ECM

DTC P1572 ASCD BRAKE SWITCH

NBS000G3

DTC Confirmation Procedure

CAUTION:

Always drive vehicle at a safe speed.

NOTE:

- If DTC Confirmation Procedure has been previously conducted, always turn ignition switch OFF and wait at least 10 seconds before conducting the next test.
- Procedure for malfunction B is not described here. It takes extremely long time to complete procedure for malfunction B. By performing procedure for malfunction A, the incident that causes malfunction B can be detected.

TESTING CONDITION:

Steps 4 and 5 may be conducted with the drive wheels lifted in the shop or by driving the vehicle. If a road test is expected to be easier, it is unnecessary to lift the vehicle.

WITH CONSULT-III

1. Start engine (VDC switch or TCS switch OFF).
2. Select "DATA MONITOR" mode with CONSULT-III.
3. Press MAIN switch and make sure that CRUISE indicator lights up.
4. Drive the vehicle for at least 5 consecutive seconds under the following condition.

VHCL SPEED SE	More than 30 km/h (19 MPH)
Shift lever	Suitable position

5. Check 1st trip DTC.
6. If 1st trip DTC is detected, go to [EC-615, "Diagnostic Procedure"](#) .
If 1st trip DTC is not detected, go to the following step.
7. Drive the vehicle for at least 5 consecutive seconds under the following condition.

VHCL SPEED SE	More than 30 km/h (19 MPH)
Shift lever	Suitable position
Driving location	Depress the brake pedal for more than five seconds so as not to come off from the above-mentioned vehicle speed.

8. Check 1st trip DTC.
9. If 1st trip DTC is detected, go to [EC-615, "Diagnostic Procedure"](#) .

WITH GST

Follow the procedure "WITH CONSULT-III" above.

A

EC

C

D

E

F

G

H

I

J

K

L

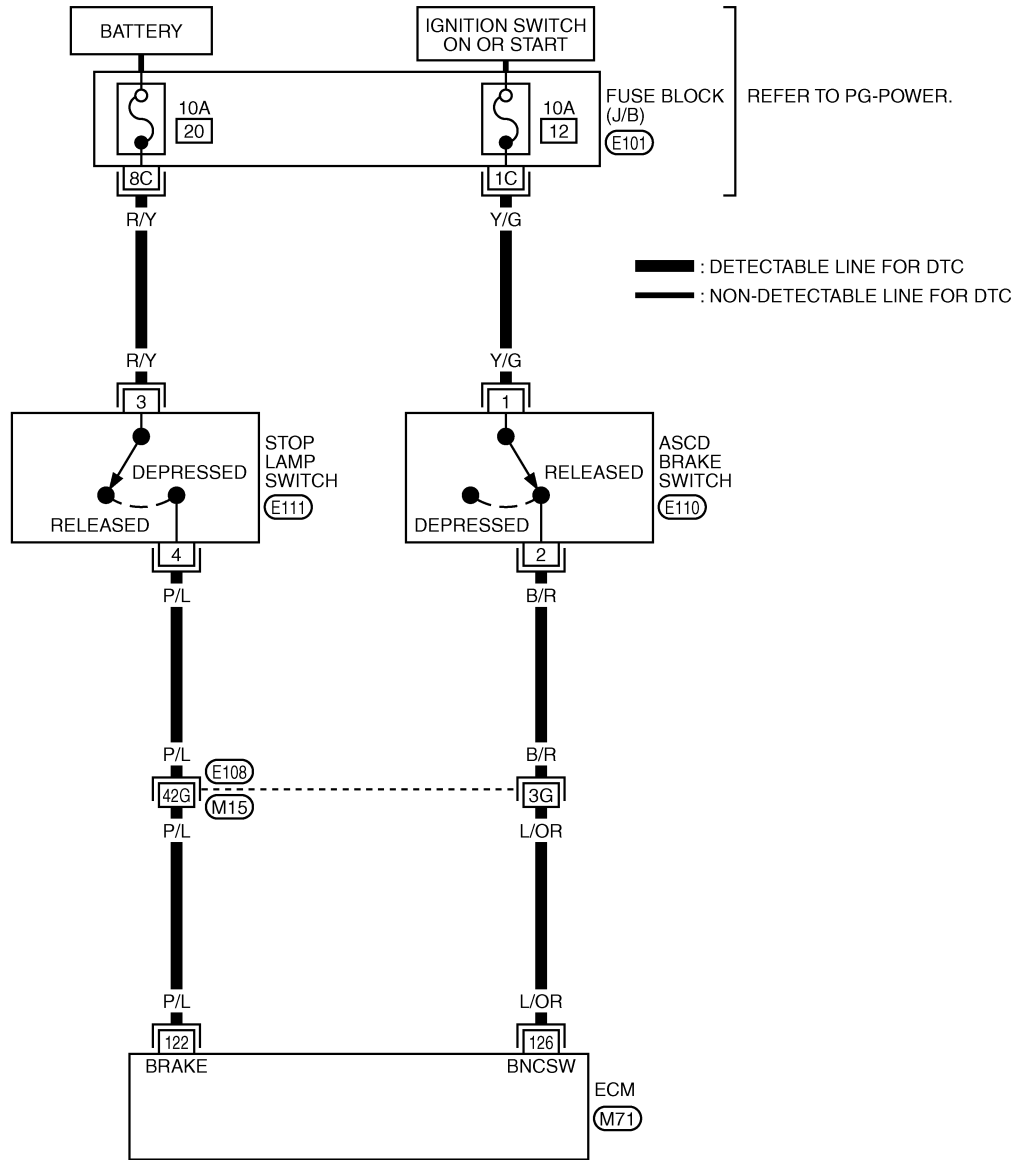
M

DTC P1572 ASCD BRAKE SWITCH

NBS000G4

Wiring Diagram A/T MODELS

EC-ASC/BS-01



97	101	105	109	113	117	121	125
98	102	106	110	114	118	122	126
99	103	107	111	115	119	123	127
100	104	108	112	116	120	124	128

(M71)
GY



2
1

(E110)
BR

4 3
2 1

(E111)
W

REFER TO THE FOLLOWING.

(E108) -SUPER MULTIPLE JUNCTION (SMJ)

(E101) -FUSE BLOCK-JUNCTION BOX (J/B)

TBWT1661E

DTC P1572 ASCD BRAKE SWITCH

Specification data are reference values and are measured between each terminal and ground.

CAUTION:

Do not use ECM ground terminals when measuring input/output voltage. Doing so may result in damage to the ECM's transistor. Use a ground other than ECM terminals, such as the ground.

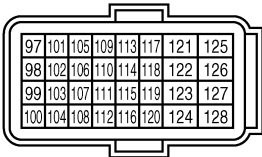
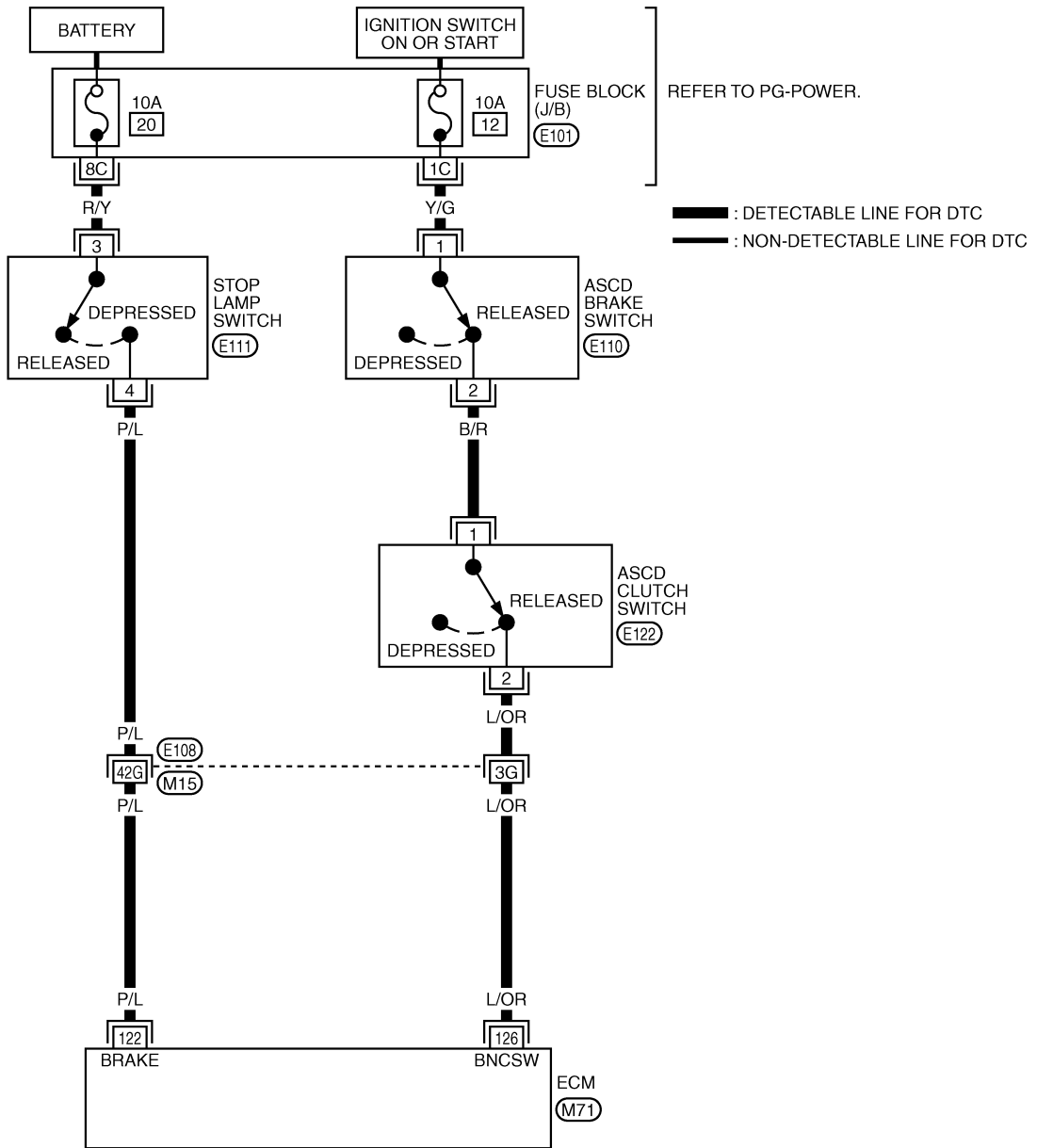
TER-MINAL NO.	WIRE COLOR	ITEM	CONDITION	DATA (DC Voltage)
122	P/L	Stop lamp switch	[Ignition switch: OFF] ● Brake pedal: Fully released	0V
			[Ignition switch: OFF] ● Brake pedal: Slightly depressed	BATTERY VOLTAGE (11 - 14V)
126	L/OR	ASCD brake switch	[Ignition switch: ON] ● Brake pedal: Slightly depressed	0V
			[Ignition switch: ON] ● Brake pedal: Fully released	BATTERY VOLTAGE (11 - 14V)

A
EC
C
D
E
F
G
H
I
J
K
L
M

DTC P1572 ASCD BRAKE SWITCH

M/T MODELS

EC-ASC/BS-02



(M71)



2
1

(E110)

BR

4 3
2 1

(E111)

W

1 2

(E122)

L

REFER TO THE FOLLOWING.

(E108) -SUPER MULTIPLE JUNCTION (SMJ)

(E101) -FUSE BLOCK-JUNCTION BOX (J/B)

TBWT1662E

DTC P1572 ASCD BRAKE SWITCH

Specification data are reference values and are measured between each terminal and ground.

CAUTION:

Do not use ECM ground terminals when measuring input/output voltage. Doing so may result in damage to the ECM's transistor. Use a ground other than ECM terminals, such as the ground.

TER-MINAL NO.	WIRE COLOR	ITEM	CONDITION	DATA (DC Voltage)
122	P/L	Stop lamp switch	[Ignition switch: OFF] ● Brake pedal: Fully released	0V
			[Ignition switch: OFF] ● Brake pedal: Slightly depressed	BATTERY VOLTAGE (11 - 14V)
126	L/OR	ASCD brake switch	[Ignition switch: ON] ● Brake pedal and/or clutch pedal: Slightly depressed	0V
			[Ignition switch: ON] ● Brake pedal and clutch pedal: Fully released	BATTERY VOLTAGE (11 - 14V)

Diagnostic Procedure

NBS000G5

A/T MODELS

1. CHECK OVERALL FUNCTION-I

 **With CONSULT-III**

1. Turn ignition switch ON.
2. Select "BRAKE SW1" in "DATA MONITOR" mode with CONSULT-III.
3. Check "BRAKE SW1" indication under the following conditions.

CONDITION	INDICATION
Brake pedal: Slightly depressed	OFF
Brake pedal: Fully released	ON

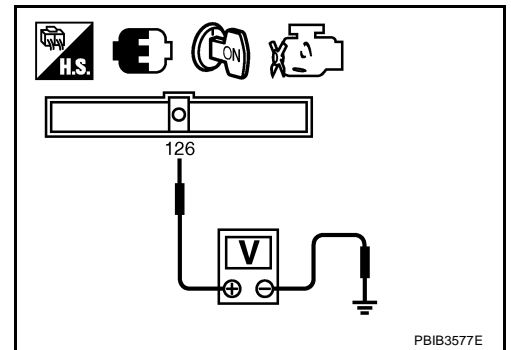
 **Without CONSULT-III**

1. Turn ignition switch ON.
2. Check voltage between ECM terminal 126 and ground under the following conditions.

CONDITION	VOLTAGE
Brake pedal: Slightly depressed	Approximately 0V
Brake pedal: Fully released	Battery voltage

OK or NG

- OK >> GO TO 2.
 NG >> GO TO 3.



PBIB3577E

DTC P1572 ASCD BRAKE SWITCH

2. CHECK OVERALL FUNCTION-II

With CONSULT-III

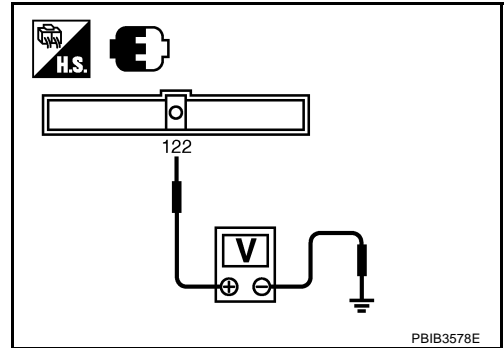
1. Select "BRAKE SW2" in "DATA MONITOR" mode with CONSULT-III.
2. Check "BRAKE SW2" indication under the following conditions.

CONDITION	INDICATION
Brake pedal: Fully released	OFF
Brake pedal: Slightly depressed	ON

Without CONSULT-III

Check voltage between ECM terminal 122 and ground under the following conditions.

CONDITION	VOLTAGE
Brake pedal: Fully released	Approximately 0V
Brake pedal: Slightly depressed	Battery voltage

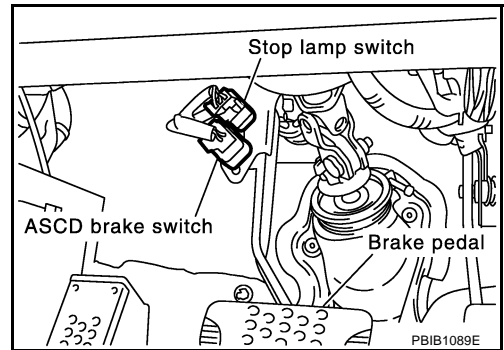


OK or NG

- OK >> GO TO 13.
- NG >> GO TO 8.

3. CHECK ASCD BRAKE SWITCH POWER SUPPLY CIRCUIT

1. Turn ignition switch OFF.
2. Disconnect ASCD brake switch harness connector.
3. Turn ignition switch ON.

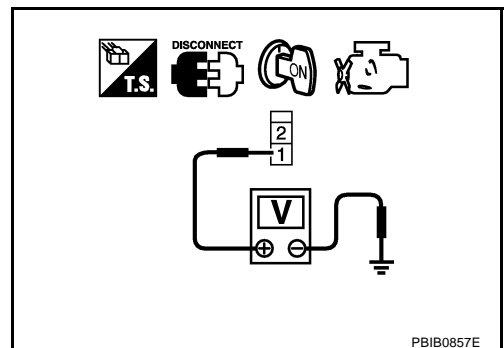


4. Check voltage between ASCD brake switch terminal 1 and ground with CONSULT-III or tester.

Voltage: Battery voltage

OK or NG

- OK >> GO TO 5.
- NG >> GO TO 4.



DTC P1572 ASCD BRAKE SWITCH

4. DETECT MALFUNCTIONING PART

Check the following.

- Fuse block (J/B) connector E101
- 10A fuse
- Harness for open or short between ASCD brake switch and fuse

>> Repair open circuit or short to ground or short to power in harness or connectors.

5. CHECK ASCD BRAKE SWITCH INPUT SIGNAL CIRCUIT FOR OPEN AND SHORT

1. Turn ignition switch OFF.
2. Disconnect ECM harness connector.
3. Check harness continuity between ECM terminal 126 and ASCD brake switch terminal 2.
Refer to Wiring Diagram.

Continuity should exist.

4. Also check harness for short to ground and short to power.

OK or NG

- OK >> GO TO 7.
- NG >> GO TO 6.

6. DETECT MALFUNCTIONING PART

Check the following.

- Harness connectors E108, M15
- Harness for open or short between ECM and ASCD brake switch

>> Repair open circuit or short to ground or short to power in harness or connectors.

7. CHECK ASCD BRAKE SWITCH

Refer to [EC-624, "Component Inspection"](#)

OK or NG

- OK >> GO TO 13.
- NG >> Replace ASCD brake switch.

A

EC

C

D

E

F

G

H

I

J

K

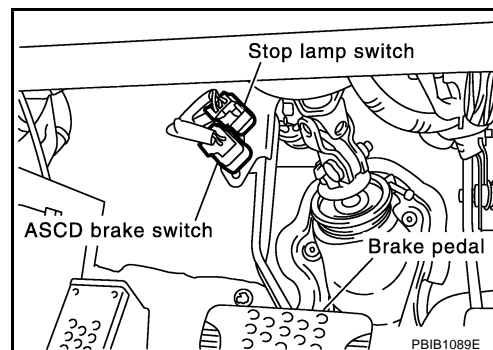
L

M

DTC P1572 ASCD BRAKE SWITCH

8. CHECK STOP LAMP SWITCH POWER SUPPLY CIRCUIT

1. Turn ignition switch OFF.
2. Disconnect stop lamp switch harness connector.

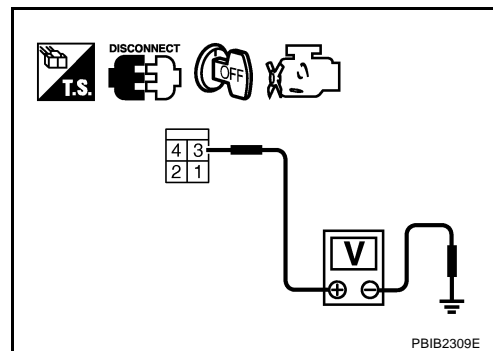


3. Check voltage between stop lamp switch terminal 3 and ground with CONSULT-III or tester.

Voltage: Battery voltage

OK or NG

- OK >> GO TO 10.
- NG >> GO TO 9.



9. DETECT MALFUNCTIONING PART

Check the following.

- Fuse block (J/B) connector E101
- 10A fuse
- Harness for open or short between stop lamp switch and battery

>> Repair open circuit or short to ground or short to power in harness or connectors.

10. CHECK STOP LAMP SWITCH INPUT SIGNAL CIRCUIT FOR OPEN AND SHORT

1. Disconnect ECM harness connector.
2. Check harness continuity between ECM terminal 122 and stop lamp switch terminal 4. Refer to Wiring Diagram.

Continuity should exist.

3. Also check harness for short to ground and short to power.

OK or NG

- OK >> GO TO 12.
- NG >> GO TO 11.

11. DETECT MALFUNCTIONING PART

Check the following.

- Harness connectors E108, M15
- Harness for open or short between ECM and stop lamp switch

>> Repair open circuit or short to ground or short to power in harness or connectors.

DTC P1572 ASCD BRAKE SWITCH

12. CHECK STOP LAMP SWITCH

Refer to [EC-624, "Component Inspection"](#)

OK or NG

- OK >> GO TO 13.
- NG >> Replace stop lamp switch.

13. CHECK INTERMITTENT INCIDENT

Refer to [EC-141, "TROUBLE DIAGNOSIS FOR INTERMITTENT INCIDENT"](#) .

>> INSPECTION END

M/T MODELS

1. CHECK OVERALL FUNCTION-I

 **With CONSULT-III**

1. Turn ignition switch ON.
2. Select "BRAKE SW1" in "DATA MONITOR" mode with CONSULT-III.
3. Check "BRAKE SW1" indication under the following conditions.

CONDITION	INDICATION
Brake pedal and/or clutch pedal: Slightly depressed	OFF
Brake pedal and clutch pedal: Fully released	ON

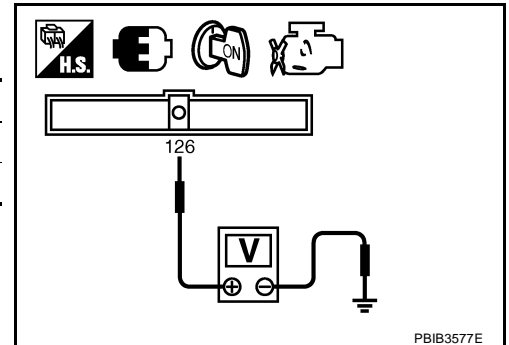
 **Without CONSULT-III**

1. Turn ignition switch ON.
2. Check voltage between ECM terminal 126 and ground under the following conditions.

CONDITION	VOLTAGE
Brake pedal and/or clutch pedal: Slightly depressed	Approximately 0V
Brake pedal and clutch pedal: Fully released	Battery voltage

OK or NG

- OK >> GO TO 2.
- NG >> GO TO 3.



DTC P1572 ASCD BRAKE SWITCH

2. CHECK OVERALL FUNCTION-II

With CONSULT-III

1. Select "BRAKE SW2" in "DATA MONITOR" mode with CONSULT-III.
2. Check "BRAKE SW2" indication under the following conditions.

CONDITION	INDICATION
Brake pedal: Fully released	OFF
Brake pedal: Slightly depressed	ON

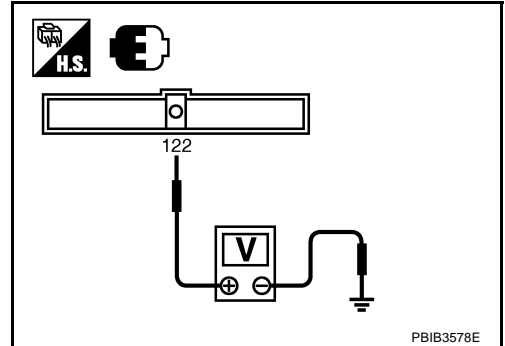
Without CONSULT-III

Check voltage between ECM terminal 122 and ground under the following conditions.

CONDITION	VOLTAGE
Brake pedal: Fully released	Approximately 0V
Brake pedal: Slightly depressed	Battery voltage

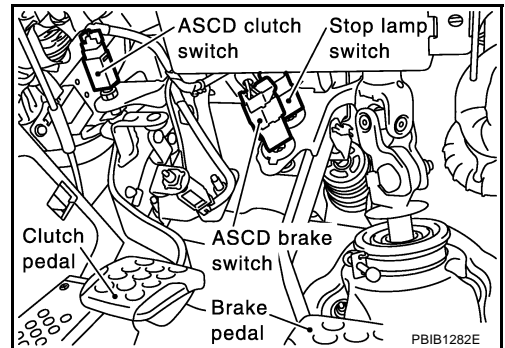
OK or NG

- OK >> GO TO 16.
 NG >> GO TO 11.



3. CHECK ASCD BRAKE SWITCH CIRCUIT

1. Turn ignition switch OFF.
2. Disconnect ASCD clutch switch harness connector.
3. Turn ignition switch ON.

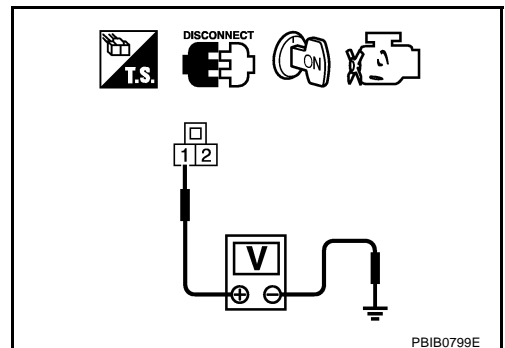


4. Check voltage between ASCD clutch switch terminal 1 and ground with CONSULT-III or tester.

Voltage: Battery voltage

OK or NG

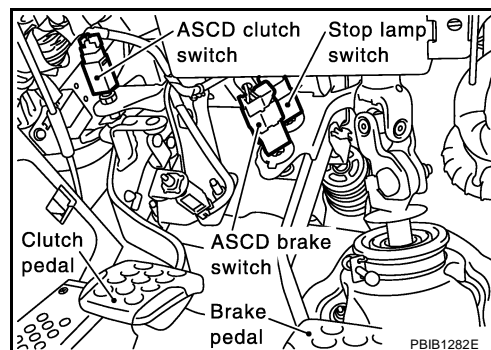
- OK >> GO TO 8.
 NG >> GO TO 4.



DTC P1572 ASCD BRAKE SWITCH

4. CHECK ASCD BRAKE SWITCH POWER SUPPLY CIRCUIT

1. Turn ignition switch OFF.
2. Disconnect ASCD brake switch harness connector.
3. Turn ignition switch ON.

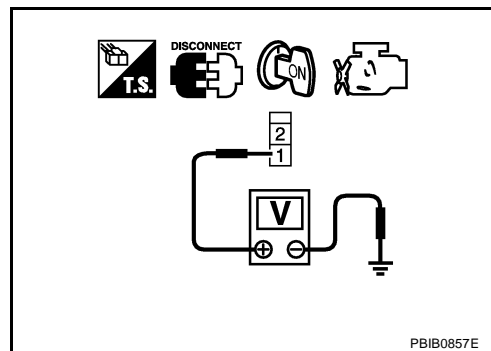


4. Check voltage between ASCD brake switch terminal 1 and ground with CONSULT-III or tester.

Voltage: Battery voltage

OK or NG

- OK >> GO TO 6.
- NG >> GO TO 5.



5. DETECT MALFUNCTIONING PART

Check the following.

- Fuse block (J/B) connector E101
- 10A fuse
- Harness for open or short between ASCD brake switch and fuse

>> Repair open circuit or short to ground or short to power in harness or connectors.

6. CHECK ASCD BRAKE SWITCH INPUT SIGNAL CIRCUIT FOR OPEN AND SHORT

1. Turn ignition switch OFF.
2. Check harness continuity between ASCD brake switch terminal 2 and ASCD clutch switch terminal 1. Refer to Wiring Diagram.

Continuity should exist.

3. Also check harness for short to ground and short to power.

OK or NG

- OK >> GO TO 7.
- NG >> Repair open circuit or short to ground or short to power in harness or connectors.

7. CHECK ASCD BRAKE SWITCH

Refer to [EC-624, "Component Inspection"](#)

OK or NG

- OK >> GO TO 16.
- NG >> Replace ASCD brake switch.

DTC P1572 ASCD BRAKE SWITCH

8. CHECK ASCD CLUTCH SWITCH INPUT SIGNAL CIRCUIT FOR OPEN AND SHORT

1. Turn ignition switch OFF.
2. Disconnect ECM harness connector.
3. Check harness continuity between ASCD clutch switch terminal 2 and ECM terminal 126.
Refer to Wiring Diagram.

Continuity should exist.

4. Also check harness for short to ground and short to power.

OK or NG

- OK >> GO TO 10.
NG >> GO TO 9.

9. DETECT MALFUNCTIONING PART

Check the following.

- Harness connectors E108, M15
- Harness for open or short between ECM and ASCD clutch switch

>> Repair open circuit or short to ground or short to power in harness or connectors.

10. CHECK ASCD CLUTCH SWITCH

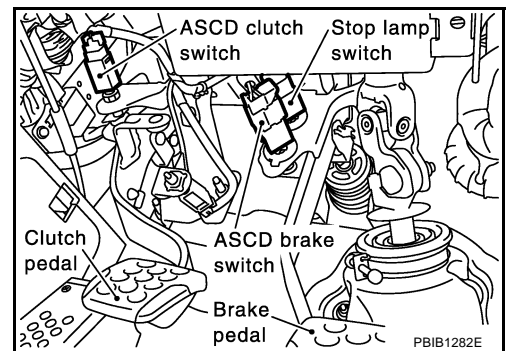
Refer to [EC-624, "Component Inspection"](#).

OK or NG

- OK >> GO TO 16.
NG >> Replace ASCD clutch switch.

11. CHECK STOP LAMP SWITCH POWER SUPPLY CIRCUIT

1. Turn ignition switch OFF.
2. Disconnect stop lamp switch harness connector.

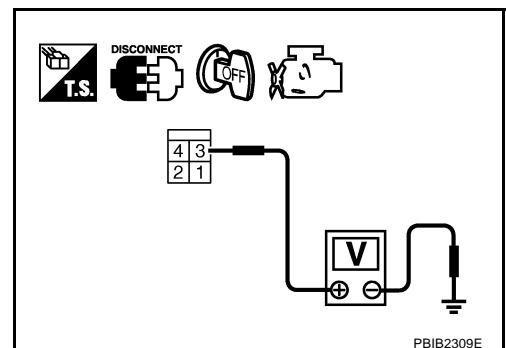


3. Check voltage between stop lamp switch terminal 3 and ground with CONSULT-III or tester.

Voltage: Battery voltage

OK or NG

- OK >> GO TO 13.
NG >> GO TO 12.



DTC P1572 ASCD BRAKE SWITCH

12. DETECT MALFUNCTIONING PART

Check the following.

- Fuse block (J/B) connector E101
- 10A fuse
- Harness for open or short between stop lamp switch and battery

>> Repair open circuit or short to ground or short to power in harness or connectors.

13. CHECK STOP LAMP SWITCH INPUT SIGNAL CIRCUIT FOR OPEN AND SHORT

1. Disconnect ECM harness connector.
2. Check harness continuity between ECM terminal 122 and stop lamp switch terminal 4.
Refer to Wiring Diagram.

Continuity should exist.

3. Also check harness for short to ground and short to power.

OK or NG

- OK >> GO TO 15.
- NG >> GO TO 14.

14. DETECT MALFUNCTIONING PART

Check the following.

- Harness connectors E108, M15
- Harness for open or short between ECM and stop lamp switch

>> Repair open circuit or short to ground or short to power in harness or connectors.

15. CHECK STOP LAMP SWITCH

Refer to [EC-624, "Component Inspection"](#)

OK or NG

- OK >> GO TO 16.
- NG >> Replace stop lamp switch.

16. CHECK INTERMITTENT INCIDENT

Refer to [EC-141, "TROUBLE DIAGNOSIS FOR INTERMITTENT INCIDENT"](#) .

>> **INSPECTION END**

A
EC
C
D
E
F
G
H
I
J
K
L
M

DTC P1572 ASCD BRAKE SWITCH

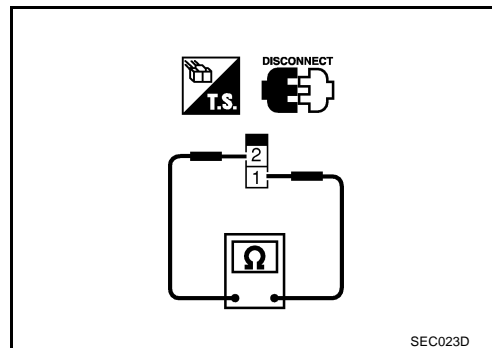
NBS000G6

Component Inspection ASC D BRAKE SWITCH

1. Turn ignition switch OFF.
2. Disconnect ASCD brake switch harness connector.
3. Check continuity between ASCD brake switch terminals 1 and 2 under the following conditions.

Condition	Continuity
Brake pedal: Fully released	Should exist
Brake pedal: Slightly depressed	Should not exist

If NG, adjust ASCD brake switch installation, refer to [BR-7](#), "[BRAKE PEDAL](#)", and perform step 3 again.



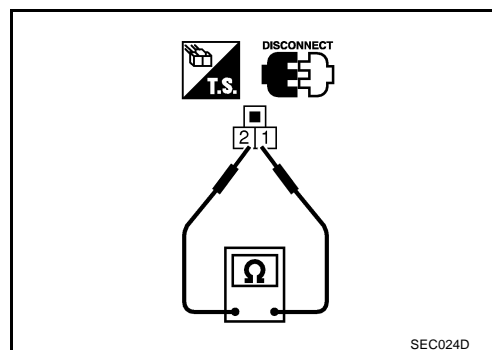
SEC023D

ASC D CLUTCH SWITCH (M/T MODELS)

1. Turn ignition switch OFF.
2. Disconnect ASCD clutch switch harness connector.
3. Check continuity between ASCD clutch switch terminals 1 and 2 under the following conditions.

Condition	Continuity
Clutch pedal: Fully released	Should exist
Clutch pedal: Slightly depressed	Should not exist

If NG, adjust ASCD clutch switch installation, refer to [CL-5](#), "[CLUTCH PEDAL](#)", and perform step 3 again.



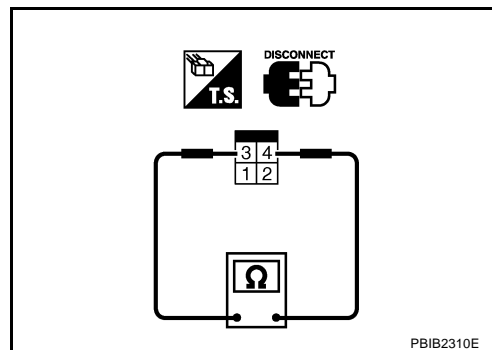
SEC024D

STOP LAMP SWITCH

1. Turn ignition switch OFF.
2. Disconnect stop lamp switch harness connector.
3. Check continuity between stop lamp switch terminals 3 and 4 under the following conditions.

Condition	Continuity
Brake pedal: Fully released	Should not exist
Brake pedal: Slightly depressed	Should exist

If NG, adjust stop lamp switch installation, refer to [BR-7](#), "[BRAKE PEDAL](#)", and perform step 3 again.



PBIB2310E

DTC P1574 ASCD VEHICLE SPEED SENSOR

DTC P1574 ASCD VEHICLE SPEED SENSOR

PFP:31036

Component Description

NBS000G7

The ECM receives two vehicle speed sensor signals via CAN communication line. One is sent from “unified meter and A/C amp.”, and the other is from TCM (Transmission control module). The ECM uses these signals for ASCD control. Refer to [EC-30, "AUTOMATIC SPEED CONTROL DEVICE \(ASCD\)"](#) for ASCD functions.

On Board Diagnosis Logic

NBS000G8

- This self-diagnosis has the one trip detection logic.
- The MIL will not light up for this self-diagnosis.

NOTE:

- If DTC P1574 is displayed with DTC U1000 or U1001, first perform the trouble diagnosis for DTC U1000, U1001. Refer to [EC-151, "DTC U1000, U1001 CAN COMMUNICATION LINE"](#).
- If DTC P1574 is displayed with DTC U1010, first perform the trouble diagnosis for DTC U1010. Refer to [EC-154, "DTC U1010 CAN COMMUNICATION"](#).
- If DTC P1574 is displayed with DTC P0500, first perform the trouble diagnosis for DTC P0500. Refer to [EC-496, "DTC P0500 VSS"](#).
- If DTC P1574 is displayed with DTC P0605, first perform the trouble diagnosis for DTC P0605. Refer to [EC-512, "DTC P0605 ECM"](#).

DTC No.	Trouble Diagnosis Name	DTC Detecting Condition	Possible Cause
P1574 1574	ASCD vehicle speed sensor	ECM detects a difference between two vehicle speed signals is out of the specified range.	<ul style="list-style-type: none">● Harness or connectors (The CAN communication line is open or shorted.)● Unified meter and A/C amp.● VDC/TCS/ABS control unit (with VDC models)● ABS actuator and electric unit (control unit) (without VDC models)● Wheel sensor● TCM(A/T models)● ECM

DTC Confirmation Procedure

NBS000G9

CAUTION:

Always drive vehicle at a safe speed.

NOTE:

If DTC Confirmation Procedure has been previously conducted, always turn ignition switch OFF and wait at least 10 seconds before conducting the next test.

TESTING CONDITION:

Step 3 may be conducted with the drive wheels lifted in the shop or by driving the vehicle. If a road test is expected to be easier, it is unnecessary to lift the vehicle.

Ⓟ WITH CONSULT-III

1. Start engine (VDC switch or TCS switch OFF).
2. Select “DATA MONITOR” mode with CONSULT-III.
3. Drive the vehicle at more than 40 km/h (25 MPH).
4. Check DTC.
5. If DTC is detected, go to [EC-626, "Diagnostic Procedure"](#).

Ⓢ WITH GST

Follow the procedure “WITH CONSULT-III” above.

DTC P1574 ASCD VEHICLE SPEED SENSOR

Diagnostic Procedure

NBS000GA

1. CHECK DTC WITH TCM

Check DTC with TCM. Refer to [AT-37](#) .

OK or NG

OK >> GO TO 2.

NG >> Perform trouble shooting relevant to DTC indicated.

2. CHECK DTC WITH “VDC/TSC/ABS CONTROL UNIT (WITH VDC MODELS)” OR “ABS ACTUATOR AND ELECTRIC UNIT (CONTROL UNIT) (WITHOUT VDC MODELS)”

Refer to [BRC-82, "TROUBLE DIAGNOSIS"](#) or refer to [BRC-42, "TROUBLE DIAGNOSIS"](#) .

OK or NG

OK >> GO TO 3.

NG >> Repair or replace.

3. CHECK DTC WITH “UNIFIED METER AND A/C AMP.”

Refer to [DI-4, "COMBINATION METERS"](#) .

>> **INSPECTION END**

DTC P1715 INPUT SPEED SENSOR (TURBINE REVOLUTION SENSOR)

DTC P1715 INPUT SPEED SENSOR (TURBINE REVOLUTION SENSOR)

PFP:31935

Description

NBS002VP

ECM receives turbine revolution sensor signal from TCM through CAN communication line. ECM uses this signal for engine control.

CONSULT-III Reference Value in Data Monitor Mode

NBS002VQ

Specification data are reference values.

MONITOR ITEM	CONDITION	SPECIFICATION
I/P PULLY SPD	● Vehicle speed: More than 20 km/h (12 MPH)	Almost the same speed as the tachometer indication

On Board Diagnosis Logic

NBS002VR

NOTE:

- If DTC P1715 is displayed with DTC U1000, U1001 first perform the trouble diagnosis for DTC U1000, U1001. Refer to [EC-151, "DTC U1000, U1001 CAN COMMUNICATION LINE"](#).
- If DTC P1715 is displayed with DTC U1010, first perform the trouble diagnosis for DTC U1010. Refer to [EC-154, "DTC U1010 CAN COMMUNICATION"](#).
- If DTC P1715 is displayed with DTC P0605, first perform the trouble diagnosis for DTC P0605. Refer to [EC-512, "DTC P0605 ECM"](#).
- If DTC P1715 is displayed with DTC P0335, first perform the trouble diagnosis for DTC P0335. Refer to [EC-386, "DTC P0335 CKP SENSOR \(POS\)"](#).
- If DTC P1715 is displayed with DTC P0340 or P0345 first perform the trouble diagnosis for DTC P0340 or P0345. Refer to [EC-394, "DTC P0340, P0345 CMP SENSOR \(PHASE\)"](#).

The MIL will not light up for this self-diagnosis.

DTC No.	Trouble diagnosis name	DTC detecting condition	Possible cause
P1715 1715	Input speed sensor (Turbine revolution sensor) (TCM output)	Turbine revolution sensor signal is different from the theoretical value calculated by ECM from revolution sensor signal and engine rpm signal.	<ul style="list-style-type: none">● Harness or connectors (The CAN communication line is open or shorted)● Harness or connectors (Turbine revolution sensor circuit is open or shorted)● TCM

Diagnostic Procedure

NBS002VS

1. CHECK DTC WITH TCM

Check DTC with TCM. Refer to [AT-37, "ON BOARD DIAGNOSTIC \(OBD\) SYSTEM"](#).

OK or NG

OK >> GO TO 2.

NG >> Perform trouble shooting relevant to DTC indicated.

2. REPLACE TCM

Replace TCM. Refer to [AT-40, "TROUBLE DIAGNOSIS"](#).

>> INSPECTION END

DTC P1805 BRAKE SWITCH

DTC P1805 BRAKE SWITCH

PFP:25320

Description

NBS000GI

Brake switch signal is applied to the ECM through the stop lamp switch when the brake pedal is depressed. This signal is used mainly to decrease the engine speed when the vehicle is driving.

CONSULT-III Reference Value in Data Monitor Mode

NBS000GJ

Specification data are reference values.

MONITOR ITEM	CONDITION		SPECIFICATION
BRAKE SW	● Ignition switch: ON	Brake pedal: Fully released	OFF
		Brake pedal: Slightly depressed	ON

On Board Diagnosis Logic

NBS000GK

The MIL will not light up for this self-diagnosis.

DTC No.	Trouble diagnosis name	DTC detecting condition	Possible cause
P1805 1805	Brake switch	A brake switch signal is not sent to ECM for extremely long time while the vehicle is driving.	<ul style="list-style-type: none">● Harness or connectors (The stop lamp switch circuit is open or shorted.)● Stop lamp switch

FAIL-SAFE MODE

When the malfunction is detected, the ECM enters fail-safe mode.

Engine operating condition in fail-safe mode

ECM controls the electric throttle control actuator by regulating the throttle opening to a small range. Therefore, acceleration will be poor.

Vehicle condition	Driving condition
When engine is idling	Normal
When accelerating	Poor acceleration

DTC Confirmation Procedure WITH CONSULT-III

NBS000GL

1. Turn ignition switch ON.
2. Fully depress the brake pedal for at least 5 seconds.
3. Erase the DTC with CONSULT-III.
4. Check 1st trip DTC.
5. If 1st trip DTC is detected, go to [EC-630, "Diagnostic Procedure"](#).

WITH GST

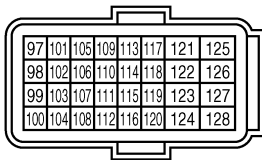
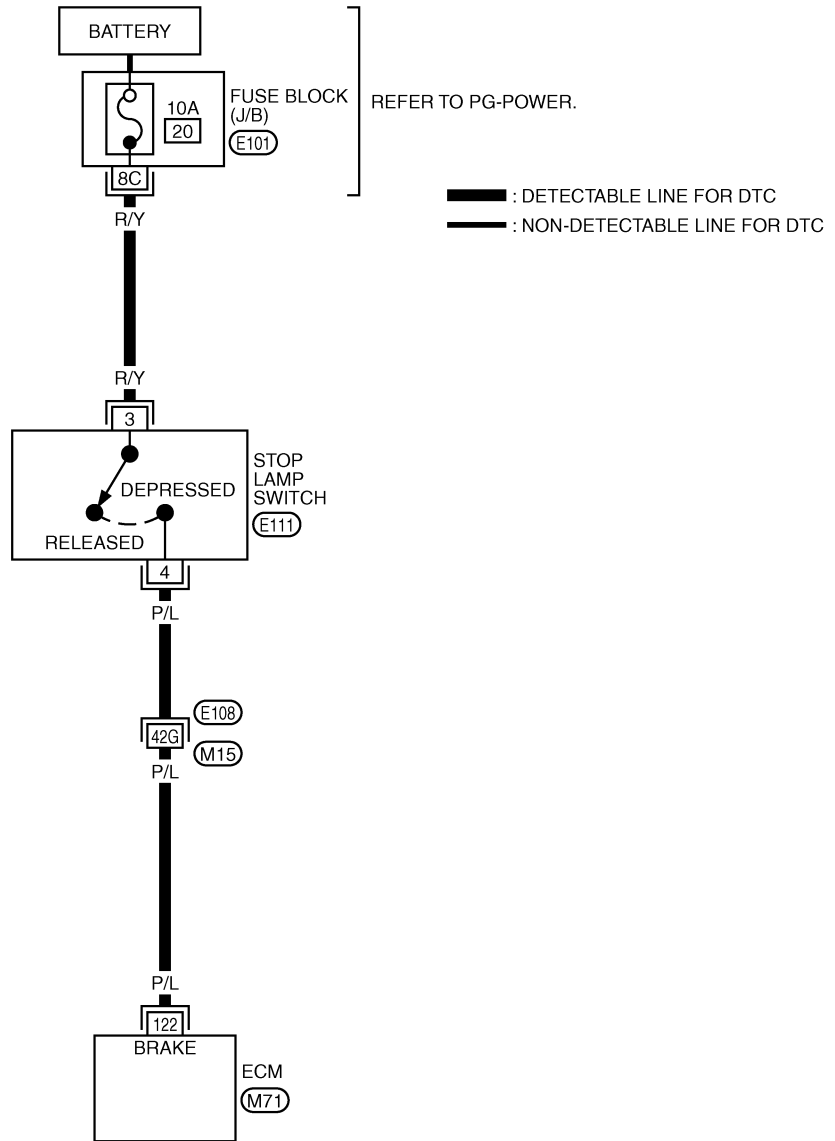
Follow the procedure "WITH CONSULT-III" above.

DTC P1805 BRAKE SWITCH

Wiring Diagram

NBS000GM

EC-BRK/SW-01



(M71)
GY



4	3
2	1

(E111)
W

REFER TO THE FOLLOWING.

(E108) -SUPER MULTIPLE JUNCTION (SMJ)

(E101) -FUSE BLOCK-JUNCTION BOX (J/B)

TBWT1663E

DTC P1805 BRAKE SWITCH

Specification data are reference values and are measured between each terminal and ground.

CAUTION:

Do not use ECM ground terminals when measuring input/output voltage. Doing so may result in damage to the ECM's transistor. Use a ground other than ECM terminals, such as the ground.

TER-MINAL NO.	WIRE COLOR	ITEM	CONDITION	DATA (DC Voltage)
122	P/L	Stop lamp switch	[Ignition switch: OFF] ● Brake pedal: Fully released	0V
			[Ignition switch: OFF] ● Brake pedal: Slightly depressed	BATTERY VOLTAGE (11 - 14V)

Diagnostic Procedure

NBS000GN

1. CHECK STOP LAMP SWITCH CIRCUIT

1. Turn ignition switch OFF.
2. Check the stop lamp when depressing and releasing the brake pedal.

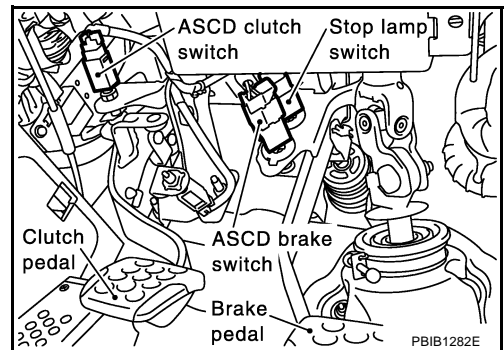
Brake pedal	Stop lamp
Fully released	Not illuminated
Slightly depressed	Illuminated

OK or NG

- OK >> GO TO 4.
- NG >> GO TO 2.

2. CHECK STOP LAMP SWITCH POWER SUPPLY CIRCUIT

1. Disconnect stop lamp switch harness connector.

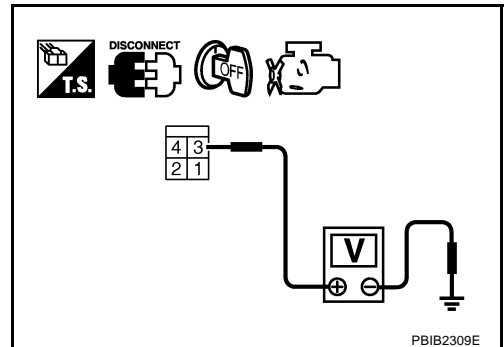


2. Check voltage between stop lamp switch terminal 3 and ground with CONSULT-III or tester.

Voltage: Battery voltage

OK or NG

- OK >> GO TO 4.
- NG >> GO TO 3.



DTC P1805 BRAKE SWITCH

3. DETECT MALFUNCTIONING PART

Check the following.

- 10A fuse
- Fuse block (J/B) connector E101
- Harness for open and short between stop lamp switch and fuse

>> Repair open circuit or short to ground or short to power in harness or connectors.

4. CHECK STOP LAMP SWITCH INPUT SIGNAL CIRCUIT FOR OPEN AND SHORT

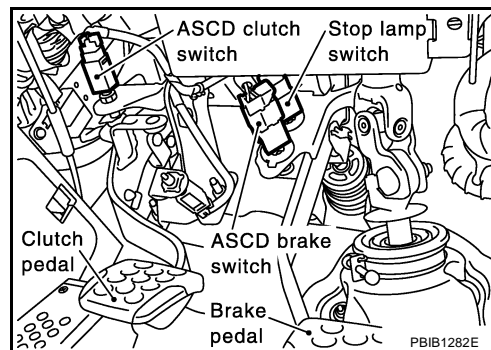
1. Disconnect ECM harness connector.
2. Disconnect stop lamp switch harness connector.
3. Check harness continuity between ECM terminal 122 and stop lamp switch terminal 4.
Refer to Wiring Diagram.

Continuity should exist.

4. Also check harness for short to ground and short to power.

OK or NG

- OK >> GO TO 6.
- NG >> GO TO 5.



5. DETECT MALFUNCTIONING PART

Check the following.

- Harness connectors E108, M15
- Harness for open or short between ECM and stop lamp switch

>> Repair open circuit or short to ground or short to power in harness or connectors.

6. CHECK STOP LAMP SWITCH

Refer to [EC-632, "Component Inspection"](#) .

OK or NG

- OK >> GO TO 7.
- NG >> Replace stop lamp switch.

7. CHECK INTERMITTENT INCIDENT

Refer to [EC-141, "TROUBLE DIAGNOSIS FOR INTERMITTENT INCIDENT"](#) .

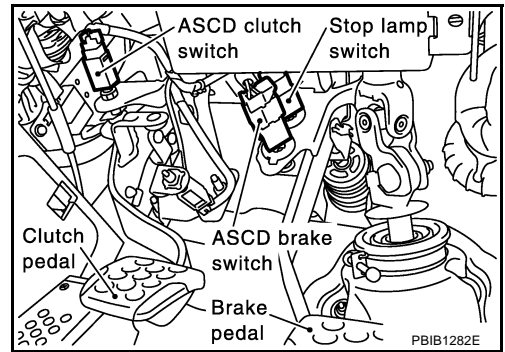
>> **INSPECTION END**

DTC P1805 BRAKE SWITCH

NBS000G0

Component Inspection STOP LAMP SWITCH

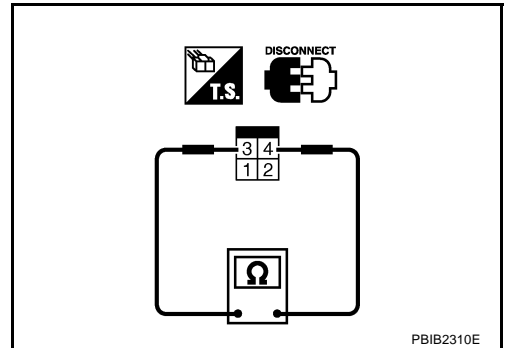
1. Disconnect stop lamp switch harness connector.



2. Check continuity between stop lamp switch terminals 3 and 4 under the following conditions.

Conditions	Continuity
Brake pedal: Fully released	Should not exist
Brake pedal: Slightly depressed	Should exist

3. If NG, adjust stop lamp switch installation, refer to [BR-7](#). "[BRAKE PEDAL](#)", and perform step 2 again.



DTC P2122, P2123 APP SENSOR

DTC P2122, P2123 APP SENSOR

PPF:18002

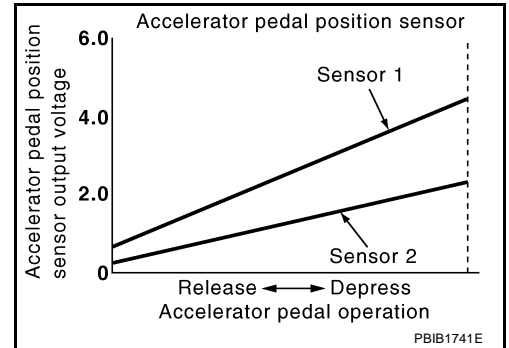
Component Description

NBS000GP

The accelerator pedal position sensor is installed on the upper end of the accelerator pedal assembly. The sensor detects the accelerator position and sends a signal to the ECM.

Accelerator pedal position sensor has two sensors. These sensors are a kind of potentiometers which transform the accelerator pedal position into output voltage, and emit the voltage signal to the ECM. In addition, these sensors detect the opening and closing speed of the accelerator pedal and feed the voltage signals to the ECM. The ECM judges the current opening angle of the accelerator pedal from these signals and controls the throttle control motor based on these signals.

Idle position of the accelerator pedal is determined by the ECM receiving the signal from the accelerator pedal position sensor. The ECM uses this signal for the engine operation such as fuel cut.



CONSULT-III Reference Value in Data Monitor Mode

NBS000GQ

Specification data are reference values.

MONITOR ITEM	CONDITION		SPECIFICATION
ACCEL SEN 1	● Ignition switch: ON (Engine stopped)	Accelerator pedal: Fully released	0.5 - 1.0V
		Accelerator pedal: Fully depressed	4.0 - 4.8V
ACCEL SEN 2*1	● Ignition switch: ON (Engine stopped)	Accelerator pedal: Fully released	0.3 - 1.2V
		Accelerator pedal: Fully depressed	3.9 - 4.8V
CLSD THL POS	● Ignition switch: ON (Engine stopped)	Accelerator pedal: Fully released	ON
		Accelerator pedal: Slightly depressed	OFF

*: Accelerator pedal position sensor 2 signal is converted by ECM internally. Thus, it differs from ECM terminal voltage.

On Board Diagnosis Logic

NBS000GR

These self-diagnoses have the one trip detection logic.

NOTE:

If DTC P2122 or P2123 is displayed with DTC P0643, first perform the trouble diagnosis for DTC P0643. Refer to [EC-514, "DTC P0643 SENSOR POWER SUPPLY"](#).

DTC No.	Trouble diagnosis name	DTC detecting condition	Possible cause
P2122 2122	Accelerator pedal position sensor 1 circuit low input	An excessively low voltage from the APP sensor 1 is sent to ECM.	● Harness or connectors (The APP sensor 1 circuit is open or shorted.) ● Accelerator pedal position sensor (APP sensor 1)
P2123 2123	Accelerator pedal position sensor 1 circuit high input	An excessively high voltage from the APP sensor 1 is sent to ECM.	

FAIL-SAFE MODE

When the malfunction is detected, ECM enters fail-safe mode and the MIL lights up.

Engine operating condition in fail-safe mode

The ECM controls the electric throttle control actuator in regulating the throttle opening in order for the idle position to be within +10 degrees.

The ECM regulates the opening speed of the throttle valve to be slower than the normal condition.

So, the acceleration will be poor.

DTC P2122, P2123 APP SENSOR

DTC Confirmation Procedure

NBS000GS

NOTE:

If DTC Confirmation Procedure has been previously conducted, always turn ignition switch OFF and wait at least 10 seconds before conducting the next test.

TESTING CONDITION:

Before performing the following procedure, confirm that battery voltage is more than 8V at idle.

WITH CONSULT-III

1. Start engine and let it idle for 1 second.
2. Check DTC.
3. If DTC is detected, go to [EC-637, "Diagnostic Procedure"](#).

WITH GST

Follow the procedure "WITH CONSULT-III" above.

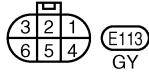
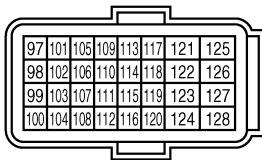
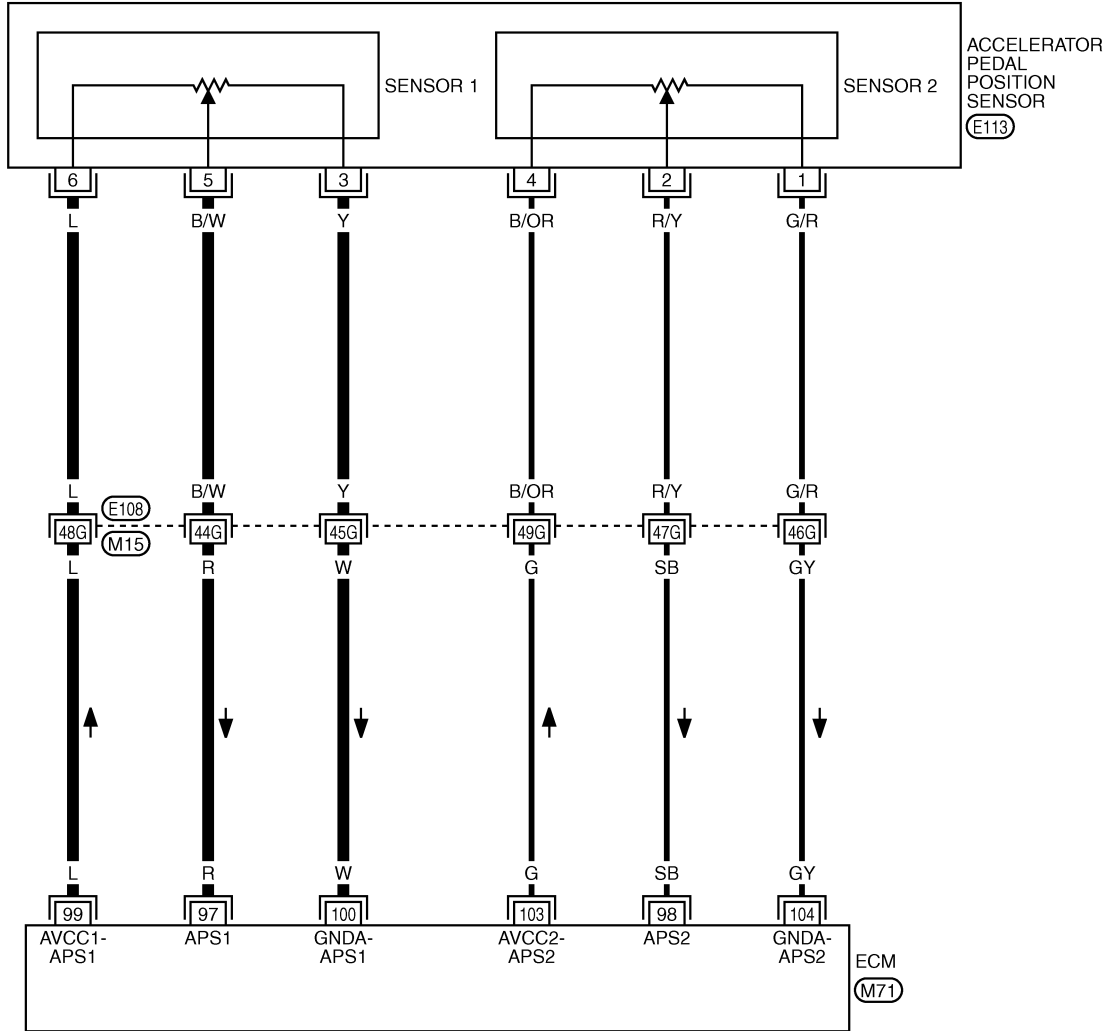
DTC P2122, P2123 APP SENSOR

Wiring Diagram

NBS000GT

EC-APPS1-01

: DETECTABLE LINE FOR DTC
 : NON-DETECTABLE LINE FOR DTC



REFER TO THE FOLLOWING.
 (E108) -SUPER MULTIPLE JUNCTION (SMJ)

TBWT1670E

DTC P2122, P2123 APP SENSOR

Specification data are reference values and are measured between each terminal and ground.

CAUTION:

Do not use ECM ground terminals when measuring input/output voltage. Doing so may result in damage to the ECM's transistor. Use a ground other than ECM terminals, such as the ground.

TER-MINAL NO.	WIRE COLOR	ITEM	CONDITION	DATA (DC Voltage)
97	R	Accelerator pedal position sensor 1	[Ignition switch: ON] ● Engine stopped ● Accelerator pedal: Fully released	0.5 - 1.0V
			[Ignition switch: ON] ● Engine stopped ● Accelerator pedal: Fully depressed	3.9 - 4.7V
98	SB	Accelerator pedal position sensor 2	[Ignition switch: ON] ● Engine stopped ● Accelerator pedal: Fully released	0.15 - 0.60V
			[Ignition switch: ON] ● Engine stopped ● Accelerator pedal: Fully depressed	1.95 - 2.40V
99	L	Sensor power supply (Accelerator pedal position sensor 1)	[Ignition switch: ON]	5V
100	W	Sensor ground (Accelerator pedal position sensor 1)	[Engine is running] ● Warm-up condition ● Idle speed	0V
103	G	Sensor power supply (Accelerator pedal position sensor 2)	[Ignition switch: ON]	5V
104	GY	Sensor ground (Accelerator pedal position sensor 2)	[Engine is running] ● Warm-up condition ● Idle speed	0V

DTC P2122, P2123 APP SENSOR

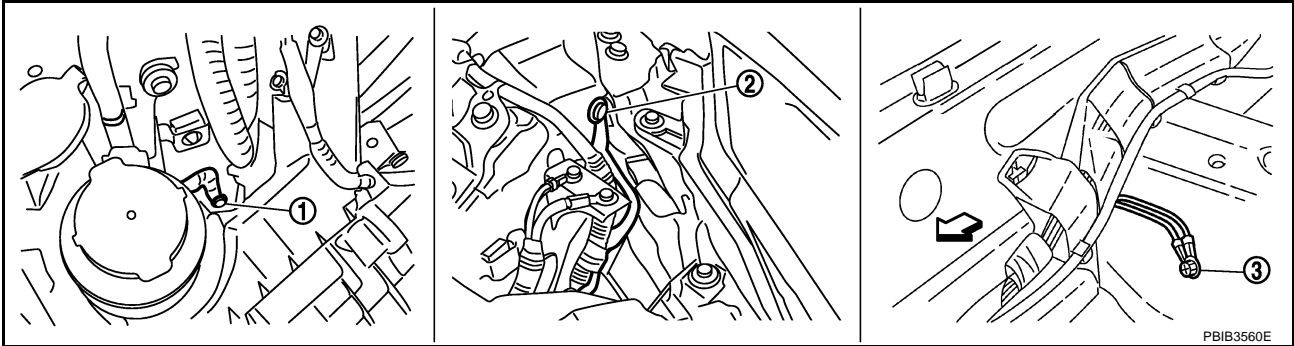
NBS000GU

Diagnostic Procedure

1. CHECK GROUND CONNECTIONS

Models with VDC system, navigation system or telephone

1. Turn ignition switch OFF.
2. Loosen and retighten ground screws on the body. Refer to [EC-150. "Ground Inspection"](#) .



1. Body ground E17

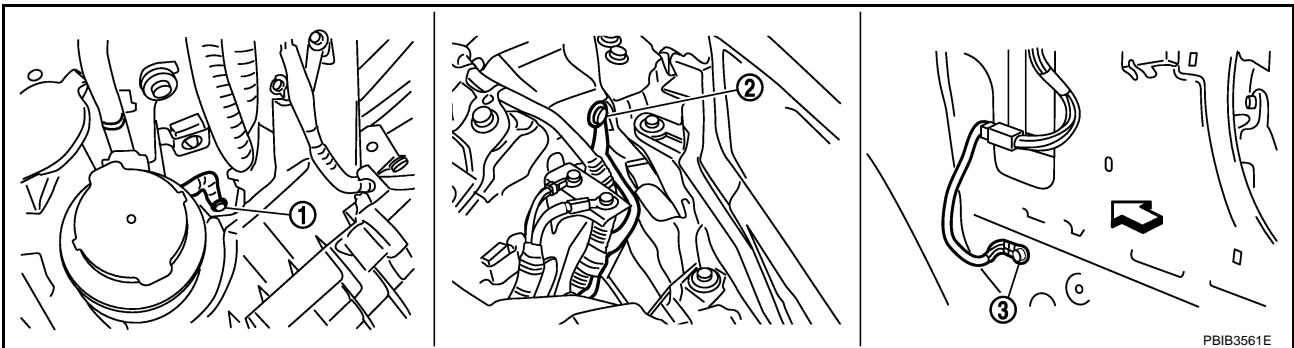
2. Body ground E43

3. Body ground B102

← Vehicle front

Models without VDC system, navigation system and telephone

1. Turn ignition switch OFF.
2. Loosen and retighten ground screws on the body. Refer to [EC-150. "Ground Inspection"](#) .



1. Body ground E17

2. Body ground E43

3. Body ground F152
(Passenger side view with dash side
finisher removed)

← Vehicle front

OK or NG

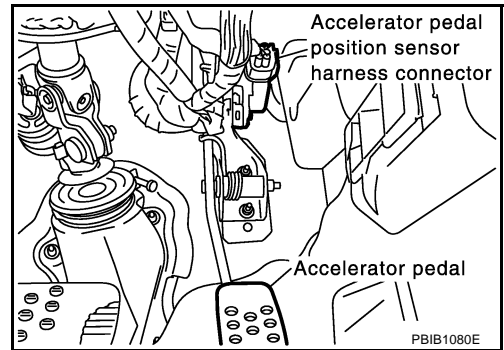
- OK >> GO TO 2.
NG >> Repair or replace ground connections.

A
EC
C
D
E
F
G
H
I
J
K
L
M

DTC P2122, P2123 APP SENSOR

2. CHECK APP SENSOR 1 POWER SUPPLY CIRCUIT

1. Disconnect accelerator pedal position (APP) sensor harness connector.
2. Turn ignition switch ON.

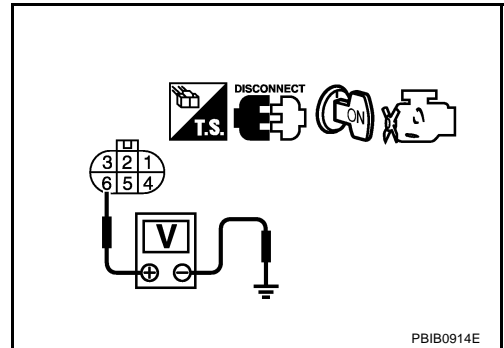


3. Check voltage between APP sensor terminal 6 and ground with CONSULT-III or tester.

Voltage: Approximately 5V

OK or NG

- OK >> GO TO 4.
NG >> GO TO 3.



3. DETECT MALFUNCTIONING PART

Check the following.

- Harness connectors E108, M15
- Harness for open or short between ECM and APP sensor

>> Repair open circuit or short to ground or short to power in harness or connectors.

4. CHECK APP SENSOR 1 GROUND CIRCUIT FOR OPEN AND SHORT

1. Turn ignition switch OFF.
2. Disconnect ECM harness connector.
3. Check harness continuity between APP sensor terminal 3 and ECM terminal 100. Refer to Wiring Diagram.

Continuity should exist.

4. Also check harness for short to ground and short to power.

OK or NG

- OK >> GO TO 6.
NG >> GO TO 5.

5. DETECT MALFUNCTIONING PART

Check the following.

- Harness connectors E108, M15
- Harness for open or short between ECM and APP sensor

>> Repair open circuit or short to ground or short to power in harness or connectors.

DTC P2122, P2123 APP SENSOR

6. CHECK APP SENSOR INPUT SIGNAL CIRCUIT FOR OPEN AND SHORT

1. Check harness continuity between ECM terminal 97 and APP sensor terminal 5.
Refer to Wiring Diagram.

Continuity should exist.

2. Also check harness for short to ground and short to power.

OK or NG

- OK >> GO TO 8.
- NG >> GO TO 7.

7. DETECT MALFUNCTIONING PART

Check the following.

- Harness connectors E108, M15
- Harness for open or short between ECM and APP sensor

>> Repair open circuit or short to ground or short to power in harness or connectors.

8. CHECK APP SENSOR

Refer to [EC-658, "Component Inspection"](#) .

OK or NG

- OK >> GO TO 10.
- NG >> GO TO 9.

9. REPLACE ACCELERATOR PEDAL ASSEMBLY

1. Replace accelerator pedal assembly.
2. Perform [EC-77, "Accelerator Pedal Released Position Learning"](#) .
3. Perform [EC-77, "Throttle Valve Closed Position Learning"](#) .
4. Perform [EC-77, "Idle Air Volume Learning"](#) .

>> **INSPECTION END**

10. CHECK INTERMITTENT INCIDENT

Refer to [EC-141, "TROUBLE DIAGNOSIS FOR INTERMITTENT INCIDENT"](#) .

>> **INSPECTION END**

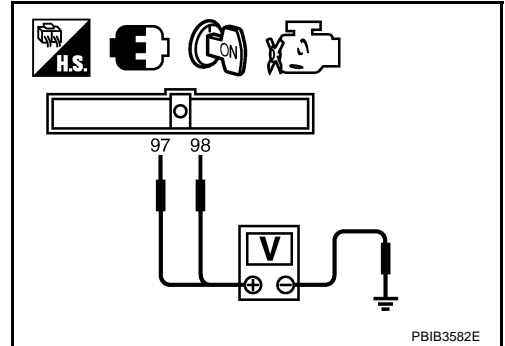
DTC P2122, P2123 APP SENSOR

NBS000GV

Component Inspection ACCELERATOR PEDAL POSITION SENSOR

1. Reconnect all harness connectors disconnected.
2. Turn ignition switch ON.
3. Check voltage between ECM terminals 97 (APP sensor 1 signal), 98 (APP sensor 2 signal) and ground under the following conditions.

Terminal	Accelerator pedal	Voltage
97 (Accelerator pedal position sensor 1)	Fully released	0.5 - 1.0V
	Fully depressed	3.9 - 4.7V
98 (Accelerator pedal position sensor 2)	Fully released	0.15 - 0.60V
	Fully depressed	1.95 - 2.40V



4. If NG, replace accelerator pedal assembly and go to next step.
5. Perform [EC-77, "Accelerator Pedal Released Position Learning"](#) .
6. Perform [EC-77, "Throttle Valve Closed Position Learning"](#) .
7. Perform [EC-77, "Idle Air Volume Learning"](#) .

Removal and Installation ACCELERATOR PEDAL

NBS000GW

Refer to [ACC-3, "ACCELERATOR CONTROL SYSTEM"](#) .

DTC P2127, P2128 APP SENSOR

DTC P2127, P2128 APP SENSOR

PPF:18002

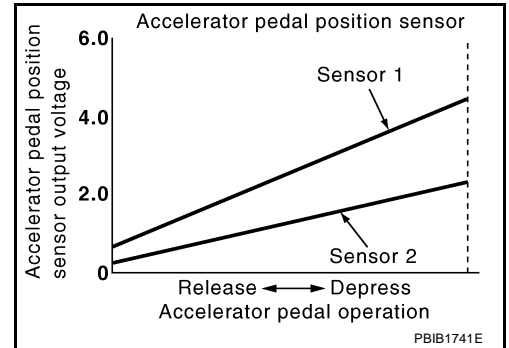
Component Description

NBS000GX

The accelerator pedal position sensor is installed on the upper end of the accelerator pedal assembly. The sensor detects the accelerator position and sends a signal to the ECM.

Accelerator pedal position sensor has two sensors. These sensors are a kind of potentiometers which transform the accelerator pedal position into output voltage, and emit the voltage signal to the ECM. In addition, these sensors detect the opening and closing speed of the accelerator pedal and feed the voltage signals to the ECM. The ECM judges the current opening angle of the accelerator pedal from these signals and controls the throttle control motor based on these signals.

Idle position of the accelerator pedal is determined by the ECM receiving the signal from the accelerator pedal position sensor. The ECM uses this signal for the engine operation such as fuel cut.



CONSULT-III Reference Value in Data Monitor Mode

NBS000GY

Specification data are reference values.

MONITOR ITEM	CONDITION		SPECIFICATION
ACCEL SEN 1	● Ignition switch: ON (Engine stopped)	Accelerator pedal: Fully released	0.5 - 1.0V
		Accelerator pedal: Fully depressed	4.0 - 4.8V
ACCEL SEN 2*1	● Ignition switch: ON (Engine stopped)	Accelerator pedal: Fully released	0.3 - 1.2V
		Accelerator pedal: Fully depressed	3.9 - 4.8V
CLSD THL POS	● Ignition switch: ON (Engine stopped)	Accelerator pedal: Fully released	ON
		Accelerator pedal: Slightly depressed	OFF

*: Accelerator pedal position sensor 2 signal is converted by ECM internally. Thus, it differs from ECM terminal voltage.

On Board Diagnosis Logic

NBS000GZ

These self-diagnoses have the one trip detection logic.

DTC No.	Trouble diagnosis name	DTC detecting condition	Possible cause
P2127 2127	Accelerator pedal position sensor 2 circuit low input	An excessively low voltage from the APP sensor 2 is sent to ECM.	<ul style="list-style-type: none"> ● Harness or connectors (APP sensor 2 circuit is open or shorted.) [CKP sensor (POS) circuit is open or shorted.] [CMP sensor (PHASE) (bank 2) circuit is shorted.] [EVT control position sensor (bank 2) circuit is shorted.] (EVAP control system pressure sensor circuit is shorted.) (Refrigerant pressure sensor circuit is shorted.) ● Accelerator pedal position sensor ● Crankshaft position sensor (POS) ● Camshaft position sensor (PHASE) (bank 2) ● Exhaust valve timing control position sensor (bank 2) ● EVAP control system pressure sensor ● Refrigerant pressure sensor
P2128 2128	Accelerator pedal position sensor 2 circuit high input	An excessively high voltage from the APP sensor 2 is sent to ECM.	

DTC P2127, P2128 APP SENSOR

FAIL-SAFE MODE

When the malfunction is detected, ECM enters fail-safe mode and the MIL lights up.

Engine operating condition in fail-safe mode

The ECM controls the electric throttle control actuator in regulating the throttle opening in order for the idle position to be within +10 degrees.

The ECM regulates the opening speed of the throttle valve to be slower than the normal condition.

So, the acceleration will be poor.

DTC Confirmation Procedure

NBS000H0

NOTE:

If DTC Confirmation Procedure has been previously conducted, always turn ignition switch OFF and wait at least 10 seconds before conducting the next test.

TESTING CONDITION:

Before performing the following procedure, confirm that battery voltage is more than 8V at idle.

WITH CONSULT-III

1. Start engine and let it idle for 1 second.
2. Check DTC.
3. If DTC is detected, go to [EC-645, "Diagnostic Procedure"](#) .

WITH GST

Follow the procedure "WITH CONSULT-III" above.

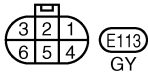
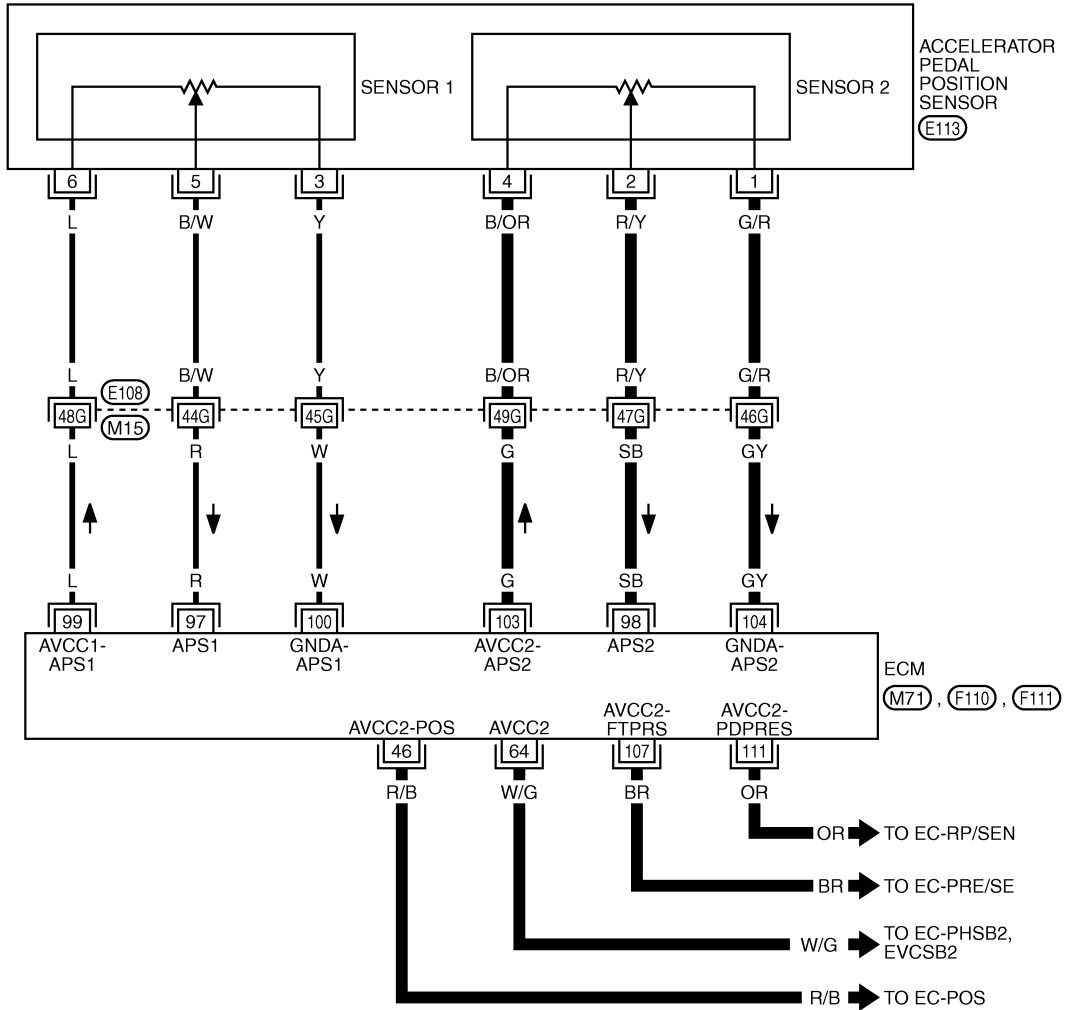
DTC P2127, P2128 APP SENSOR

Wiring Diagram

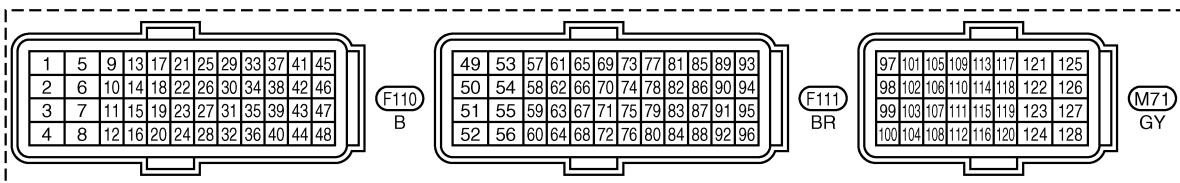
NBS000H1

EC-APPS2-01

: DETECTABLE LINE FOR DTC
 : NON-DETECTABLE LINE FOR DTC



REFER TO THE FOLLOWING.
 E108 -SUPER MULTIPLE JUNCTION (SMJ)



TBWT1671E

DTC P2127, P2128 APP SENSOR

Specification data are reference values and are measured between each terminal and ground.

CAUTION:

Do not use ECM ground terminals when measuring input/output voltage. Doing so may result in damage to the ECM's transistor. Use a ground other than ECM terminals, such as the ground.

TER-MINAL NO.	WIRE COLOR	ITEM	CONDITION	DATA (DC Voltage)
46	R/B	Sensor power supply [Crankshaft position sensor (POS)]	[Ignition switch: ON]	5V
64	W/G	Sensor power supply [Camshaft position sensor (PHASE) (bank 2), Exhaust valve timing control position sensor (bank 2)]	[Ignition switch: ON]	5V
97	R	Accelerator pedal position sensor 1	[Ignition switch: ON] ● Engine stopped ● Accelerator pedal: Fully released	0.5 - 1.0V
			[Ignition switch: ON] ● Engine stopped ● Accelerator pedal: Fully depressed	3.9 - 4.7V
98	SB	Accelerator pedal position sensor 2	[Ignition switch: ON] ● Engine stopped ● Accelerator pedal: Fully released	0.15 - 0.60V
			[Ignition switch: ON] ● Engine stopped ● Accelerator pedal: Fully depressed	1.95 - 2.40V
99	L	Sensor power supply (Accelerator pedal position sensor 1)	[Ignition switch: ON]	5V
100	W	Sensor ground (Accelerator pedal position sensor 1)	[Engine is running] ● Warm-up condition ● Idle speed	0V
103	G	Sensor power supply (Accelerator pedal position sensor 2)	[Ignition switch: ON]	5V
104	GY	Sensor ground (Accelerator pedal position sensor 2)	[Engine is running] ● Warm-up condition ● Idle speed	0V
107	BR	Sensor power supply (EVAP control system pressure sensor)	[Ignition switch: ON]	5V
111	OR	Sensor power supply (Refrigerant pressure sensor)	[Ignition switch: ON]	5V

DTC P2127, P2128 APP SENSOR

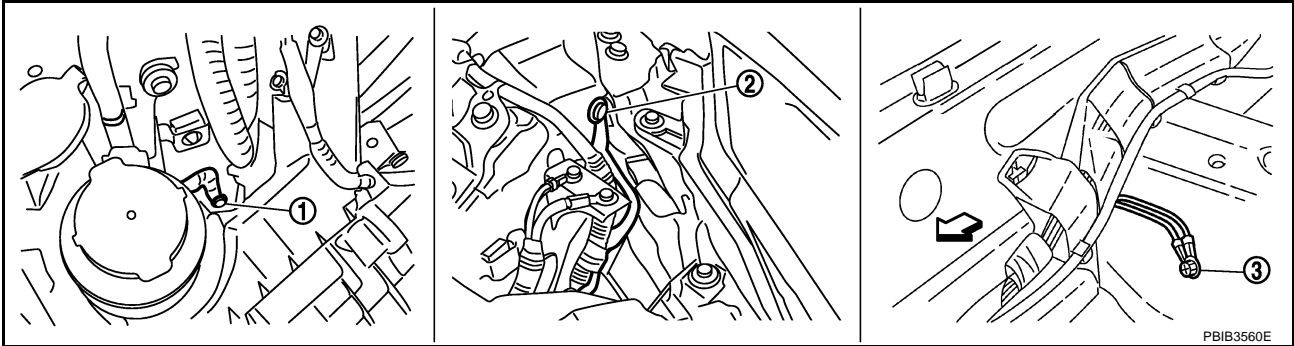
NBS000H2

Diagnostic Procedure

1. CHECK GROUND CONNECTIONS

Models with VDC system, navigation system or telephone

1. Turn ignition switch OFF.
2. Loosen and retighten ground screws on the body. Refer to [EC-150. "Ground Inspection"](#) .



1. Body ground E17

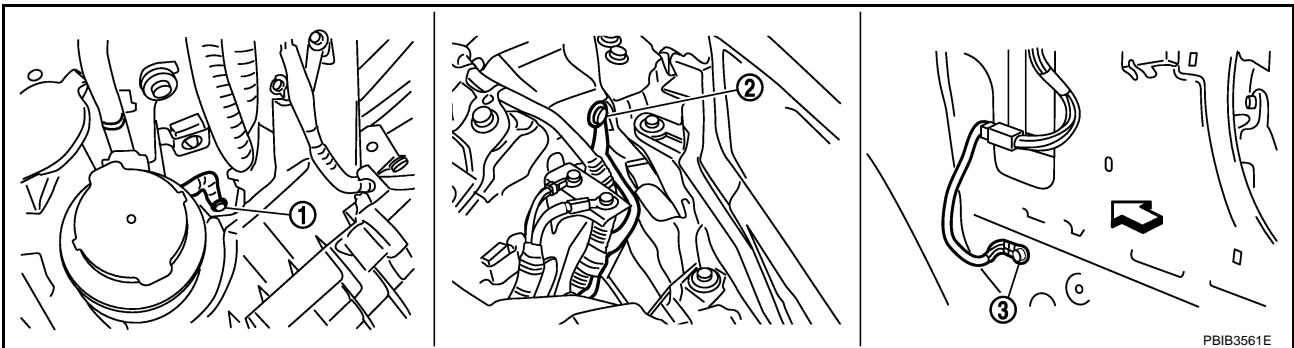
2. Body ground E43

3. Body ground B102

↔ Vehicle front

Models without VDC system, navigation system and telephone

1. Turn ignition switch OFF.
2. Loosen and retighten ground screws on the body. Refer to [EC-150. "Ground Inspection"](#) .



1. Body ground E17

2. Body ground E43

3. Body ground F152
(Passenger side view with dash side
finisher removed)

↔ Vehicle front

OK or NG

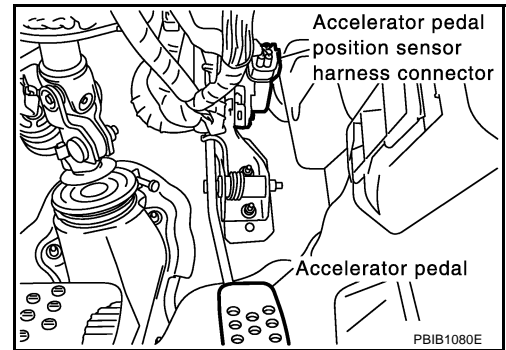
- OK >> GO TO 2.
NG >> Repair or replace ground connections.

A
EC
C
D
E
F
G
H
I
J
K
L
M

DTC P2127, P2128 APP SENSOR

2. CHECK APP SENSOR 2 POWER SUPPLY CIRCUIT- I

1. Disconnect accelerator pedal position (APP) sensor harness connector.
2. Turn ignition switch ON.

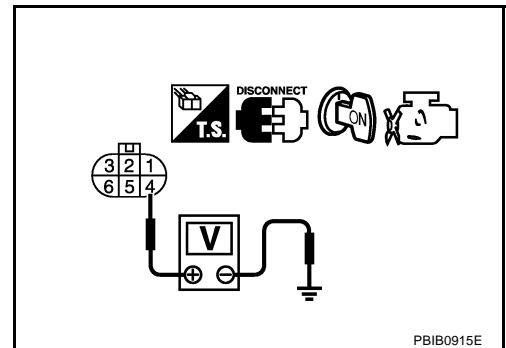


3. Check voltage between APP sensor terminal 4 and ground with CONSULT-III or tester.

Voltage: Approximately 5V

OK or NG

- OK >> GO TO 7.
NG >> GO TO 3.



3. CHECK APP SENSOR 2 POWER SUPPLY CIRCUIT-II

1. Turn ignition switch OFF.
2. Disconnect ECM harness connector.
3. Check harness continuity between APP sensor terminal 4 and ECM terminal 103. Refer to Wiring Diagram.

Continuity should exist.

OK or NG

- OK >> GO TO 5.
NG >> GO TO 4.

4. DETECT MALFUNCTIONING PART

Check the following.

- Harness connectors E108, M15
- Harness for open between ECM and APP sensor

>> Repair open circuit.

DTC P2127, P2128 APP SENSOR

5. CHECK APP SENSOR 2 POWER SUPPLY CIRCUIT-III

Check harness for short to power and short to ground, between the following terminals.

ECM terminal	Sensor terminal	Reference Wiring Diagram
46	CKP sensor (POS) terminal 1	EC-388
64	CMP sensor (PHASE) (bank 2) terminal 1	EC-399
	EVT control position sensor (bank 2) terminal 1	EC-532
103	APP sensor terminal 4	EC-643
107	EVAP control system pressure sensor terminal 3	EC-458
111	Refrigerant pressure sensor terminal 1	EC-711

OK or NG

OK >> GO TO 6.

NG >> Repair short to ground or short to power in harness or connectors.

6. CHECK COMPONENTS

Check the following.

- Crankshaft position sensor (POS) (Refer to [EC-393, "Component Inspection"](#) .)
- Camshaft position sensor (PHASE) (bank 2) (Refer to [EC-405, "Component Inspection"](#) .)
- Exhaust valve timing control position sensor (bank 2) (Refer to [EC-539, "Component Inspection"](#) .)
- EVAP control system pressure sensor (Refer to [EC-464, "Component Inspection"](#) .)
- Refrigerant pressure sensor (Refer to [ATC-80, "COMPONENT INSPECTION"](#) .)

OK or NG

OK >> GO TO 13.

NG >> Replace malfunctioning component.

7. CHECK APP SENSOR 2 GROUND CIRCUIT FOR OPEN AND SHORT

1. Turn ignition switch OFF.
2. Disconnect ECM harness connector.
3. Check harness continuity between APP sensor terminal 1 and ECM terminal 104.
Refer to Wiring Diagram.

Continuity should exist.

4. Also check harness for short to ground and short to power.

OK or NG

OK >> GO TO 9.

NG >> GO TO 8.

8. DETECT MALFUNCTIONING PART

Check the following.

- Harness connectors E108, M15
- Harness for open or short between ECM and APP sensor

>> Repair open circuit or short to ground or short to power in harness or connectors.

DTC P2127, P2128 APP SENSOR

9. CHECK APP SENSOR 2 INPUT SIGNAL CIRCUIT FOR OPEN AND SHORT

1. Check harness continuity between ECM terminal 98 and APP sensor terminal 2.
Refer to Wiring Diagram.

Continuity should exist.

2. Also check harness for short to ground and short to power.

OK or NG

- OK >> GO TO 11.
- NG >> GO TO 10.

10. DETECT MALFUNCTIONING PART

Check the following.

- Harness connectors E108, M15
- Harness for open or short between ECM and APP sensor

>> Repair open circuit or short to ground or short to power in harness or connectors.

11. CHECK APP SENSOR

Refer to [EC-658, "Component Inspection"](#) .

OK or NG

- OK >> GO TO 13.
- NG >> GO TO 12.

12. REPLACE ACCELERATOR PEDAL ASSEMBLY

1. Replace accelerator pedal assembly.
2. Perform [EC-77, "Accelerator Pedal Released Position Learning"](#) .
3. Perform [EC-77, "Throttle Valve Closed Position Learning"](#) .
4. Perform [EC-77, "Idle Air Volume Learning"](#) .

>> **INSPECTION END**

13. CHECK INTERMITTENT INCIDENT

Refer to [EC-141, "TROUBLE DIAGNOSIS FOR INTERMITTENT INCIDENT"](#) .

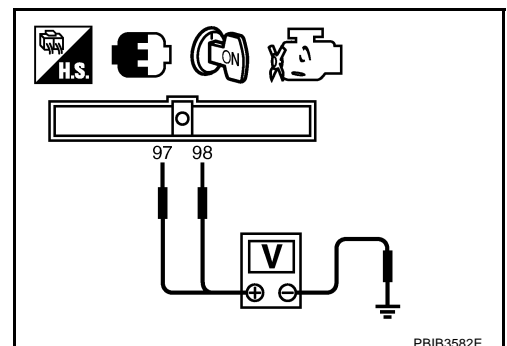
>> **INSPECTION END**

Component Inspection ACCELERATOR PEDAL POSITION SENSOR

NBS000H3

1. Reconnect all harness connectors disconnected.
2. Turn ignition switch ON.
3. Check voltage between ECM terminals 97 (APP sensor 1 signal), 98 (APP sensor 2 signal) and ground under the following conditions.

Terminal	Accelerator pedal	Voltage
97 (Accelerator pedal position sensor 1)	Fully released	0.5 - 1.0V
	Fully depressed	3.9 - 4.7V
98 (Accelerator pedal position sensor 2)	Fully released	0.15 - 0.60V
	Fully depressed	1.95 - 2.40V



DTC P2127, P2128 APP SENSOR

4. If NG, replace accelerator pedal assembly and go to next step.
5. Perform [EC-77, "Accelerator Pedal Released Position Learning"](#) .
6. Perform [EC-77, "Throttle Valve Closed Position Learning"](#) .
7. Perform [EC-77, "Idle Air Volume Learning"](#) .

Removal and Installation ACCELERATOR PEDAL

Refer to [ACC-3, "ACCELERATOR CONTROL SYSTEM"](#) .

A

EC

NBS000H4

C

D

E

F

G

H

I

J

K

L

M

DTC P2138 APP SENSOR

DTC P2138 APP SENSOR

PF1:18002

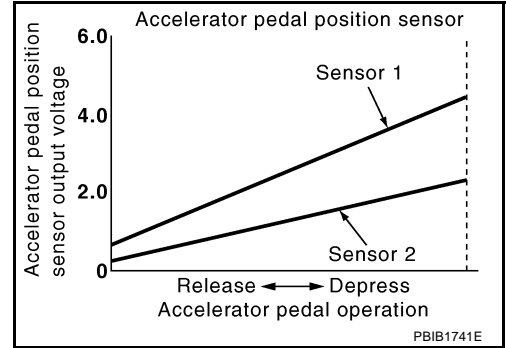
Component Description

NBS000HD

The accelerator pedal position sensor is installed on the upper end of the accelerator pedal assembly. The sensor detects the accelerator position and sends a signal to the ECM.

Accelerator pedal position sensor has two sensors. These sensors are a kind of potentiometers which transform the accelerator pedal position into output voltage, and emit the voltage signal to the ECM. In addition, these sensors detect the opening and closing speed of the accelerator pedal and feed the voltage signals to the ECM. The ECM judges the current opening angle of the accelerator pedal from these signals and controls the throttle control motor based on these signals.

Idle position of the accelerator pedal is determined by the ECM receiving the signal from the accelerator pedal position sensor. The ECM uses this signal for the engine operation such as fuel cut.



CONSULT-III Reference Value in Data Monitor Mode

NBS000HE

Specification data are reference values.

MONITOR ITEM	CONDITION	SPECIFICATION
ACCEL SEN 1	● Ignition switch: ON (Engine stopped) Accelerator pedal: Fully released	0.5 - 1.0V
	Accelerator pedal: Fully depressed	4.0 - 4.8V
ACCEL SEN 2*1	● Ignition switch: ON (Engine stopped) Accelerator pedal: Fully released	0.3 - 1.2V
	Accelerator pedal: Fully depressed	3.9 - 4.8V
CLSD THL POS	● Ignition switch: ON (Engine stopped) Accelerator pedal: Fully released	ON
	Accelerator pedal: Slightly depressed	OFF

*: Accelerator pedal position sensor 2 signal is converted by ECM internally. Thus, it differs from ECM terminal voltage.

On Board Diagnosis Logic

NBS000HF

This self-diagnosis has the one trip detection logic.

NOTE:

If DTC P2138 is displayed with DTC P0643, first perform the trouble diagnosis for DTC P0643.

Refer to [EC-514, "DTC P0643 SENSOR POWER SUPPLY"](#).

DTC P2138 APP SENSOR

DTC No.	Trouble diagnosis name	DTC detecting condition	Possible cause
P2138 2138	Accelerator pedal position sensor circuit range/performance	Rationally incorrect voltage is sent to ECM compared with the signals from APP sensor 1 and APP sensor 2.	<ul style="list-style-type: none"> ● Harness or connector (The APP sensor 1 and 2 circuit is open or shorted.) ● Harness or connectors (APP sensor 2 circuit is open or shorted.) ● [CKP sensor (POS) circuit is open or shorted.] ● [CMP sensor (PHASE) (bank 2) circuit is shorted.] ● [EVT control position sensor (bank 2) circuit is shorted.] ● (EVAP control system pressure sensor circuit is shorted.) ● (Refrigerant pressure sensor circuit is shorted.) <ul style="list-style-type: none"> ● Accelerator pedal position sensor (APP sensor 1 and 2) ● Crankshaft position sensor (POS) ● Camshaft position sensor (PHASE) (bank 2) ● Exhaust valve timing control position sensor (bank 2) ● EVAP control system pressure sensor ● Refrigerant pressure sensor

FAIL-SAFE MODE

When the malfunction is detected, ECM enters fail-safe mode and the MIL lights up.

Engine operating condition in fail-safe mode

The ECM controls the electric throttle control actuator in regulating the throttle opening in order for the idle position to be within +10 degrees.

The ECM regulates the opening speed of the throttle valve to be slower than the normal condition.

So, the acceleration will be poor.

DTC Confirmation Procedure

NBS000HG

NOTE:

If DTC Confirmation Procedure has been previously conducted, always turn ignition switch OFF and wait at least 10 seconds before conducting the next test.

TESTING CONDITION:

Before performing the following procedure, confirm that battery voltage is more than 8V at idle.

WITH CONSULT-III

1. Start engine and let it idle for 1 second.
2. Check DTC.
3. If DTC is detected, go to [EC-654, "Diagnostic Procedure"](#).

WITH GST

Follow the procedure "WITH CONSULT-III" above.

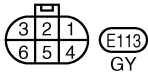
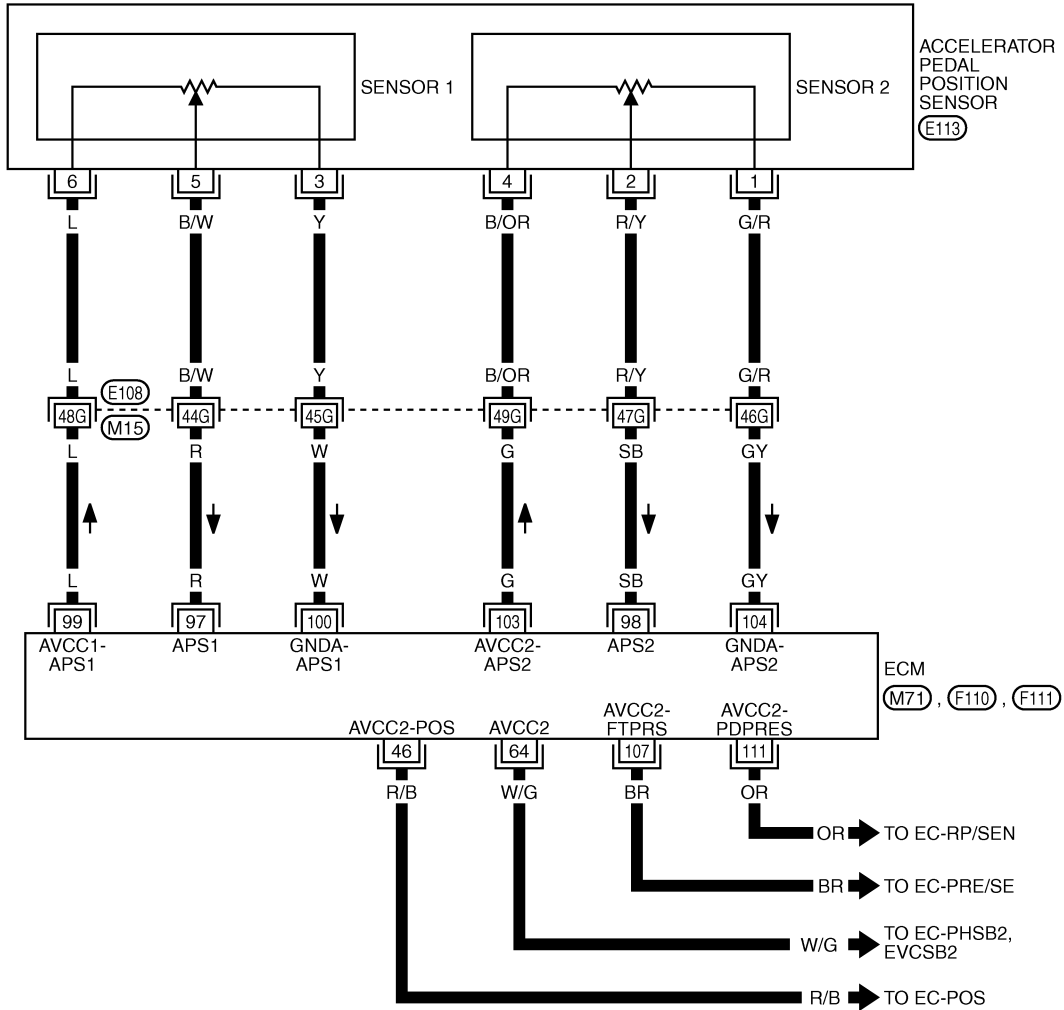
DTC P2138 APP SENSOR

Wiring Diagram

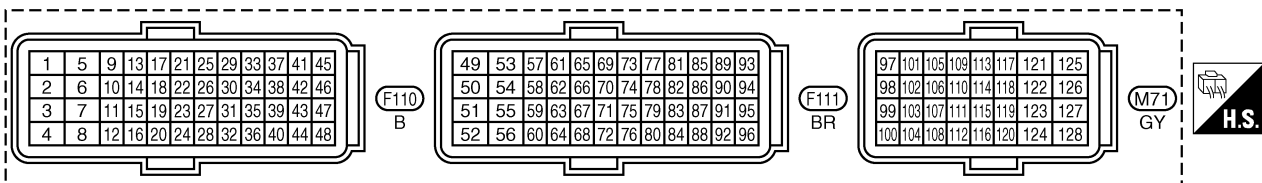
NBS000HH

EC-APPS3-01

: DETECTABLE LINE FOR DTC
 : NON-DETECTABLE LINE FOR DTC



REFER TO THE FOLLOWING.
 (E108) -SUPER MULTIPLE JUNCTION (SMJ)



TBWT1674E

DTC P2138 APP SENSOR

Specification data are reference values and are measured between each terminal and ground.

CAUTION:

Do not use ECM ground terminals when measuring input/output voltage. Doing so may result in damage to the ECM's transistor. Use a ground other than ECM terminals, such as the ground.

TER-MINAL NO.	WIRE COLOR	ITEM	CONDITION	DATA (DC Voltage)
46	R/B	Sensor power supply [Crankshaft position sensor (POS)]	[Ignition switch: ON]	5V
64	W/G	Sensor power supply [Camshaft position sensor (PHASE) (bank 2), Exhaust valve timing control position sensor (bank 2)]	[Ignition switch: ON]	5V
97	R	Accelerator pedal position sensor 1	[Ignition switch: ON] ● Engine stopped ● Accelerator pedal: Fully released	0.5 - 1.0V
			[Ignition switch: ON] ● Engine stopped ● Accelerator pedal: Fully depressed	3.9 - 4.7V
98	SB	Accelerator pedal position sensor 2	[Ignition switch: ON] ● Engine stopped ● Accelerator pedal: Fully released	0.15 - 0.60V
			[Ignition switch: ON] ● Engine stopped ● Accelerator pedal: Fully depressed	1.95 - 2.40V
99	L	Sensor power supply (Accelerator pedal position sensor 1)	[Ignition switch: ON]	5V
100	W	Sensor ground (Accelerator pedal position sensor 1)	[Engine is running] ● Warm-up condition ● Idle speed	0V
103	G	Sensor power supply (Accelerator pedal position sensor 2)	[Ignition switch: ON]	5V
104	GY	Sensor ground (Accelerator pedal position sensor 2)	[Engine is running] ● Warm-up condition ● Idle speed	0V
107	BR	Sensor power supply (EVAP control system pressure sensor)	[Ignition switch: ON]	5V
111	OR	Sensor power supply (Refrigerant pressure sensor)	[Ignition switch: ON]	5V

A
EC
C
D
E
F
G
H
I
J
K
L
M

DTC P2138 APP SENSOR

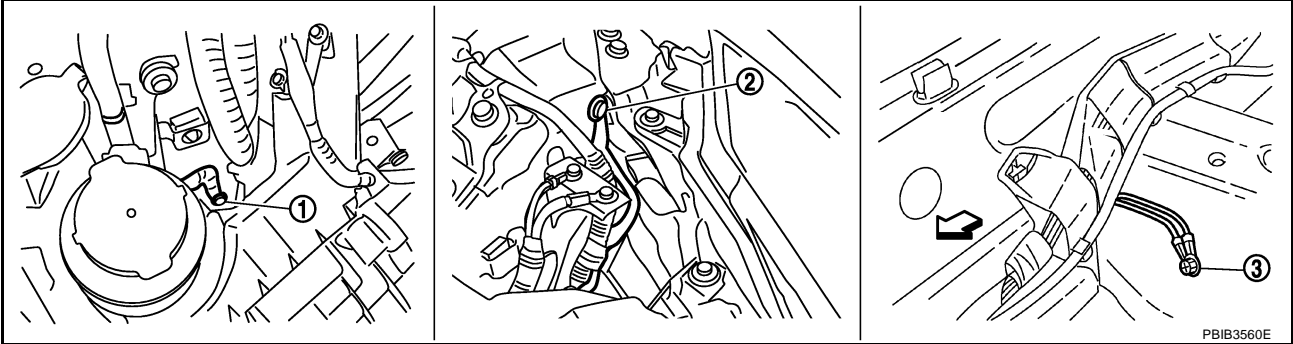
NBS000HI

Diagnostic Procedure

1. CHECK GROUND CONNECTIONS

Models with VDC system, navigation system or telephone

1. Turn ignition switch OFF.
2. Loosen and retighten ground screws on the body. Refer to [EC-150, "Ground Inspection"](#) .



1. Body ground E17

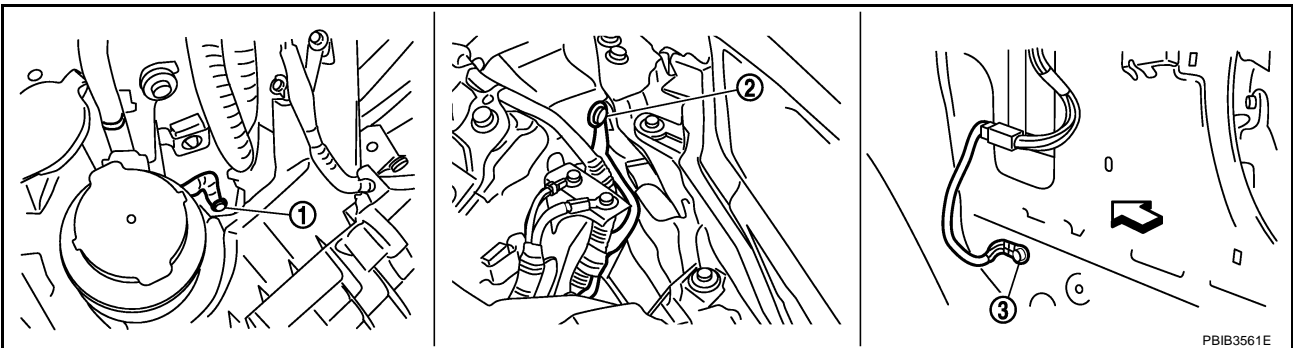
2. Body ground E43

3. Body ground B102

↔ Vehicle front

Models without VDC system, navigation system and telephone

1. Turn ignition switch OFF.
2. Loosen and retighten ground screws on the body. Refer to [EC-150, "Ground Inspection"](#) .



1. Body ground E17

2. Body ground E43

3. Body ground F152
(Passenger side view with dash side
finisher removed)

↔ Vehicle front

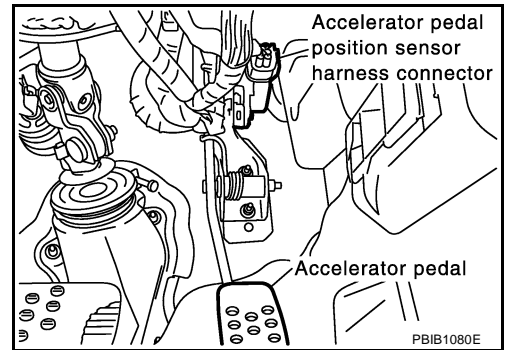
OK or NG

- OK >> GO TO 2.
NG >> Repair or replace ground connections.

DTC P2138 APP SENSOR

2. CHECK APP SENSOR 1 POWER SUPPLY CIRCUIT

1. Disconnect accelerator pedal position (APP) sensor harness connector.
2. Turn ignition switch ON.

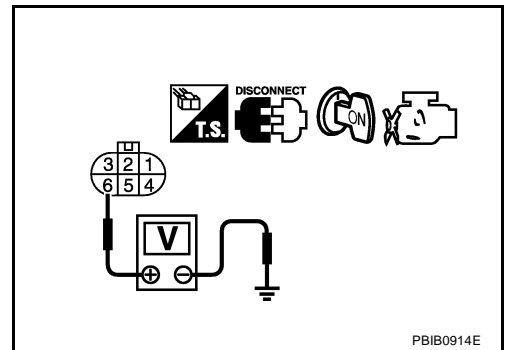


3. Check voltage between APP sensor terminal 6 and ground with CONSULT-III or tester.

Voltage: Approximately 5V

OK or NG

- OK >> GO TO 4.
- NG >> GO TO 3.



3. DETECT MALFUNCTIONING PART

Check the following.

- Harness connectors E108, M15
- Harness for open or short between ECM and APP sensor

>> Repair open circuit or short to ground or short to power in harness or connectors.

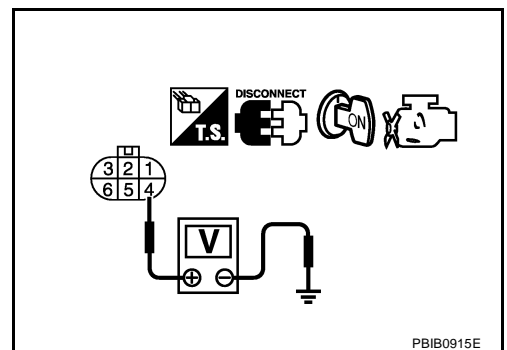
4. CHECK APP SENSOR 2 POWER SUPPLY CIRCUIT-I

Check voltage between APP sensor terminal 4 and ground with CONSULT-III or tester.

Voltage: Approximately 5V

OK or NG

- OK >> GO TO 9.
- NG >> GO TO 5.



DTC P2138 APP SENSOR

5. CHECK APP SENSOR 2 POWER SUPPLY CIRCUIT-II

1. Turn ignition switch OFF.
2. Disconnect ECM harness connector.
3. Check harness continuity between APP sensor terminal 4 and ECM terminal 103.
Refer to Wiring Diagram.

Continuity should exist.

OK or NG

- OK >> GO TO 7.
NG >> GO TO 6.

6. DETECT MALFUNCTIONING PART

Check the following.

- Harness connectors E108, M15
- Harness for open between ECM and APP sensor

>> Repair open circuit.

7. CHECK APP SENSOR 2 POWER SUPPLY CIRCUIT-III

Check harness for short to power and short to ground, between the following terminals.

ECM terminal	Sensor terminal	Reference Wiring Diagram
46	CKP sensor (POS) terminal 1	EC-388
64	CMP sensor (PHASE) (bank 2) terminal 1	EC-399
	EVT control position sensor (bank 2) terminal 1	EC-532
103	APP sensor terminal 4	EC-643
107	EVAP control system pressure sensor terminal 3	EC-458
111	Refrigerant pressure sensor terminal 1	EC-711

OK or NG

- OK >> GO TO 8.
NG >> Repair short to ground or short to power in harness or connectors.

8. CHECK COMPONENTS

Check the following.

- Crankshaft position sensor (POS) (Refer to [EC-393, "Component Inspection"](#) .)
- Camshaft position sensor (PHASE) (bank 2) (Refer to [EC-405, "Component Inspection"](#) .)
- Exhaust valve timing control position sensor (bank 2) (Refer to [EC-539, "Component Inspection"](#) .)
- EVAP control system pressure sensor (Refer to [EC-464, "Component Inspection"](#) .)
- Refrigerant pressure sensor (Refer to [ATC-80, "COMPONENT INSPECTION"](#) .)

OK or NG

- OK >> GO TO 15.
NG >> Replace malfunctioning component.

DTC P2138 APP SENSOR

9. CHECK APP SENSOR GROUND CIRCUIT FOR OPEN AND SHORT

1. Turn ignition switch OFF.
2. Disconnect ECM harness connector.
3. Check harness continuity between the following;
APP sensor terminal 3 and ECM terminal 100.
APP sensor terminal 1 and ECM terminal 104,
Refer to Wiring Diagram.

Continuity should exist.

4. Also check harness for short to ground and short to power.

OK or NG

- OK >> GO TO 11.
- NG >> GO TO 10.

10. DETECT MALFUNCTIONING PART

Check the following.

- Harness connectors E108, M15
- Harness for open or short between ECM and APP sensor

>> Repair open circuit or short to ground or short to power in harness or connectors.

11. CHECK APP SENSOR INPUT SIGNAL CIRCUIT FOR OPEN AND SHORT

1. Check harness continuity between the following;
ECM terminal 97 and APP sensor terminal 5,
ECM terminal 98 and APP sensor terminal 2.
Refer to Wiring Diagram.

Continuity should exist.

2. Also check harness for short to ground and short to power.

OK or NG

- OK >> GO TO 13.
- NG >> GO TO 12.

12. DETECT MALFUNCTIONING PART

Check the following.

- Harness connectors E108, M15
- Harness for open or short between ECM and APP sensor

>> Repair open circuit or short to ground or short to power in harness or connectors.

13. CHECK APP SENSOR

Refer to [EC-658, "Component Inspection"](#) .

OK or NG

- OK >> GO TO 15.
- NG >> GO TO 14.

DTC P2138 APP SENSOR

14. REPLACE ACCELERATOR PEDAL ASSEMBLY

1. Replace accelerator pedal assembly.
2. Perform [EC-77, "Accelerator Pedal Released Position Learning"](#) .
3. Perform [EC-77, "Throttle Valve Closed Position Learning"](#) .
4. Perform [EC-77, "Idle Air Volume Learning"](#) .

>> INSPECTION END

15. CHECK INTERMITTENT INCIDENT

Refer to [EC-141, "TROUBLE DIAGNOSIS FOR INTERMITTENT INCIDENT"](#) .

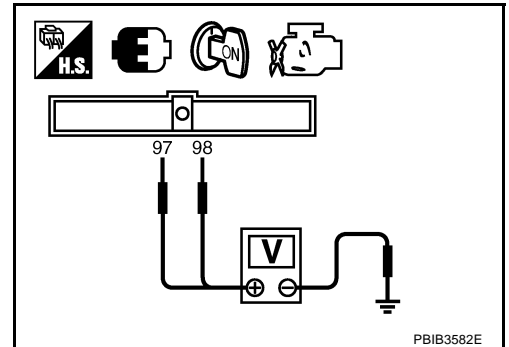
>> INSPECTION END

Component Inspection ACCELERATOR PEDAL POSITION SENSOR

NBS000HJ

1. Reconnect all harness connectors disconnected.
2. Turn ignition switch ON.
3. Check voltage between ECM terminals 97 (APP sensor 1 signal), 98 (APP sensor 2 signal) and ground under the following conditions.

Terminal	Accelerator pedal	Voltage
97 (Accelerator pedal position sensor 1)	Fully released	0.5 - 1.0V
	Fully depressed	3.9 - 4.7V
98 (Accelerator pedal position sensor 2)	Fully released	0.15 - 0.60V
	Fully depressed	1.95 - 2.40V



4. If NG, replace accelerator pedal assembly and go to next step.
5. Perform [EC-77, "Accelerator Pedal Released Position Learning"](#) .
6. Perform [EC-77, "Throttle Valve Closed Position Learning"](#) .
7. Perform [EC-77, "Idle Air Volume Learning"](#) .

Removal and Installation ACCELERATOR PEDAL

NBS000HK

Refer to [ACC-3, "ACCELERATOR CONTROL SYSTEM"](#) .

DTC P2A00, P2A03 A/F SENSOR 1

DTC P2A00, P2A03 A/F SENSOR 1

PFP:22693

Component Description

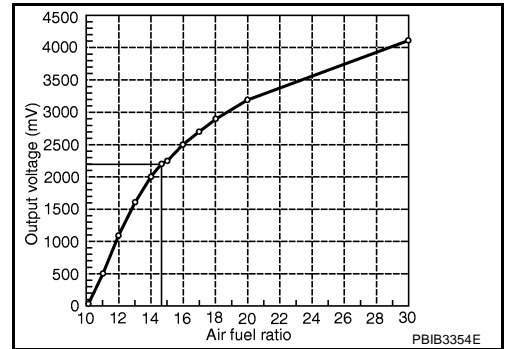
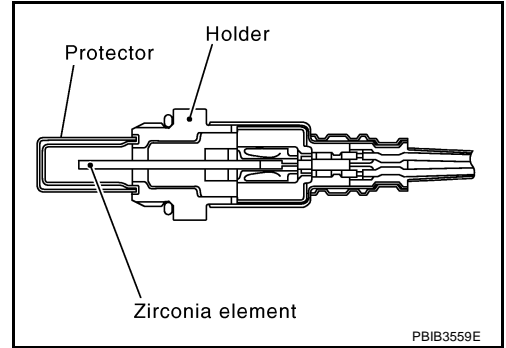
NBS006V7

The air fuel ratio (A/F) sensor 1 is a planar one-cell limit current sensor. The sensor element of the A/F sensor 1 is composed an electrode layer, which transports ions. It has a heater in the element.

The sensor is capable of precise measurement $\lambda = 1$, but also in the lean and rich range. Together with its control electronics, the sensor outputs a clear, continuous signal throughout a wide λ range.

The exhaust gas components diffuse through the diffusion layer at the sensor cell. An electrode layer is applied voltage, and this current relative oxygen density in lean. Also this current relative hydrocarbon density in rich.

Therefore, the A/F sensor 1 is able to indicate air fuel ratio by this electrode layer of current. In addition, a heater is integrated in the sensor to ensure the required operating temperature of about 800°C (1,472°F).



CONSULT-III Reference Value in Data Monitor Mode

NBS000EF

Specification data are reference values.

MONITOR ITEM	CONDITION		SPECIFICATION
A/F SEN1 (B1) A/F SEN1 (B2)	● Engine: After warming up	Maintaining engine speed at 2,000 rpm	Fluctuates around 2.2V

On Board Diagnosis Logic

NBS000EG

To judge the malfunction, the A/F signal computed by ECM from the A/F sensor 1 signal is monitored not to be shifted to LEAN side or RICH side.

DTC No.	Trouble diagnosis name	DTC detecting condition	Possible Cause
P2A00 2A00 (Bank 1)	Air fuel ratio (A/F) sensor 1 circuit range/performance	● The output voltage computed by ECM from the A/F sensor 1 signal is shifted to the lean side for a specified period.	<ul style="list-style-type: none"> ● Air fuel ratio (A/F) sensor 1 ● Air fuel ratio (A/F) sensor 1 heater ● Fuel pressure ● Fuel injector ● Intake air leaks
P2A03 2A03 (Bank 2)		● The output voltage computed by ECM from the A/F sensor 1 signal is shifted to the rich side for a specified period.	

DTC P2A00, P2A03 A/F SENSOR 1

NBS000EH

DTC Confirmation Procedure

NOTE:

If DTC Confirmation Procedure has been previously conducted, always turn ignition switch OFF and wait at least 10 seconds before conducting the next test.

TESTING CONDITION:

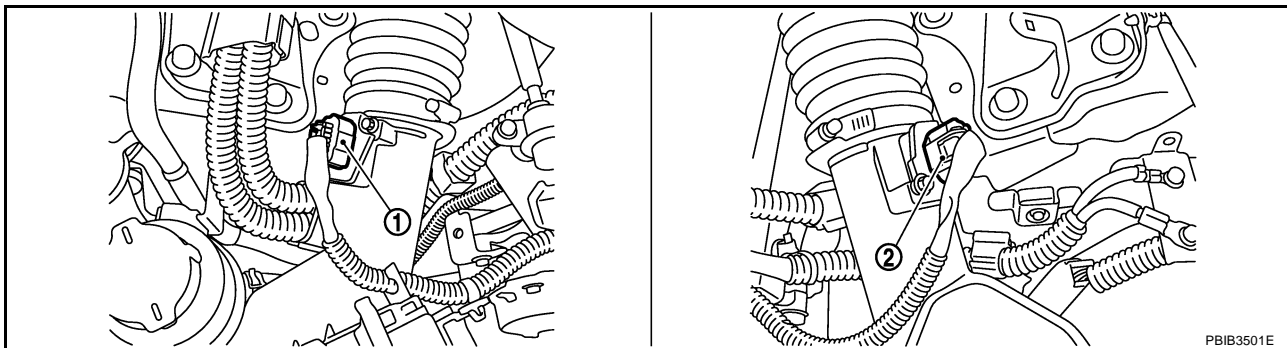
Before performing the following procedure, confirm that battery voltage is more than 11V at idle.

WITH CONSULT-III

1. Start engine and warm it up to normal operating temperature.
2. Turn ignition switch OFF and wait at least 10 seconds.
3. Turn ignition switch ON and select "SELF-LEARNING CONT" in "WORK SUPPORT" mode with CONSULT-III.
4. Clear the self-learning coefficient by touching "CLEAR".
5. Turn ignition switch OFF and wait at least 10 seconds.
6. Start engine and keep the engine speed between 3,500 and 4,000 rpm for 1 minute under no load.
7. Let engine idle for 1 minute.
8. Keep engine speed between 2,500 and 3,000 rpm for 20 minutes.
9. Check 1st trip DTC.
10. If 1st trip DTC is detected, go to [EC-665, "Diagnostic Procedure"](#).

WITH GST

1. Start engine and warm it up to normal operating temperature.
2. Turn ignition switch OFF and wait at least 10 seconds.
3. Disconnect mass air flow sensor (bank 1) harness connector.



1. Mass air flow sensor (with intake air temperature sensor) (bank 1) 2. Mass air flow sensor (with intake air temperature sensor) (bank 2)

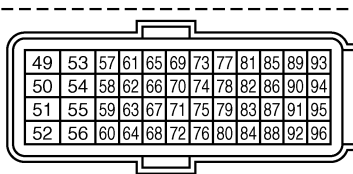
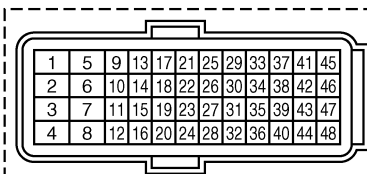
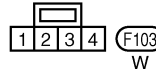
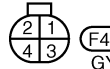
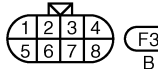
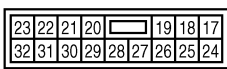
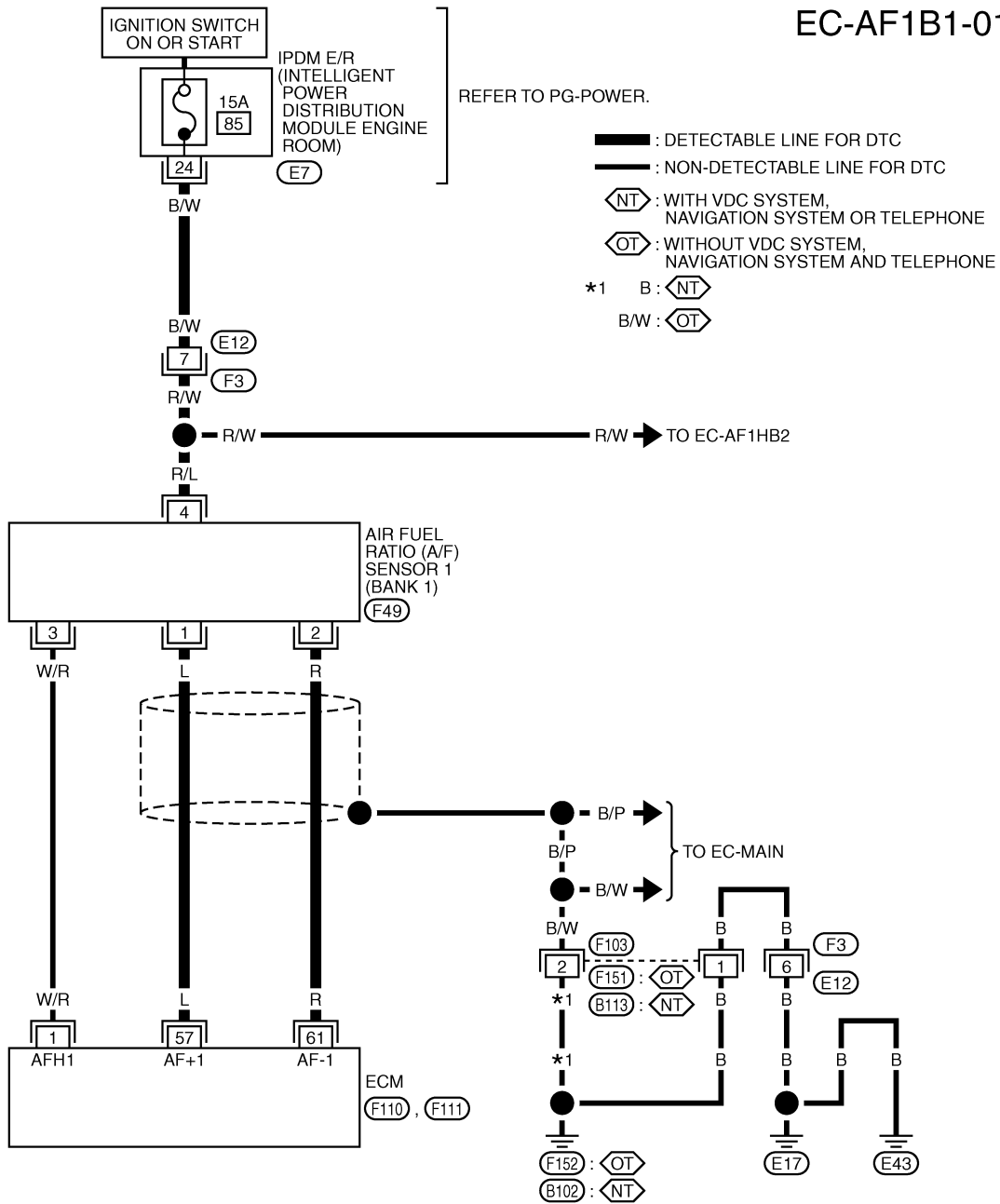
4. Start engine and let it idle for at least 5 seconds.
5. Stop engine and reconnect mass air flow sensor (bank 1) harness connector.
6. Select Service \$03 with GST and make sure that DTC P0102 is detected.
7. Select Service \$04 with GST and erase the DTC P0102.
8. Start engine and keep the engine speed between 3,500 and 4,000 rpm for 1 minute under no load.
9. Let engine idle for 1 minute.
10. Keep engine speed between 2,500 and 3,000 rpm for 20 minutes.
11. Select Service \$07 with GST.
If 1st trip DTC is detected, go to [EC-665, "Diagnostic Procedure"](#).

DTC P2A00, P2A03 A/F SENSOR 1

Wiring Diagram BANK 1

NBS000E1

EC-AF1B1-01



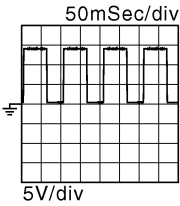
TBWT1632E

DTC P2A00, P2A03 A/F SENSOR 1

Specification data are reference values and are measured between each terminal and ground.
Pulse signal is measured by CONSULT-III.

CAUTION:

Do not use ECM ground terminals when measuring input/output voltage. Doing so may result in damage to the ECM's transistor. Use a ground other than ECM terminals, such as the ground.

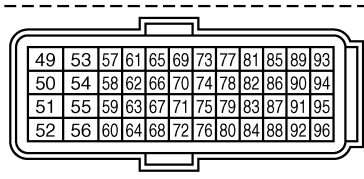
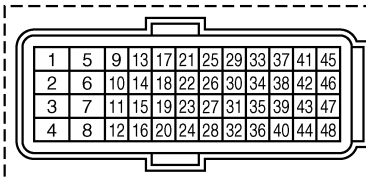
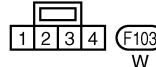
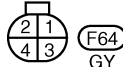
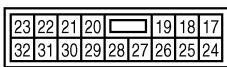
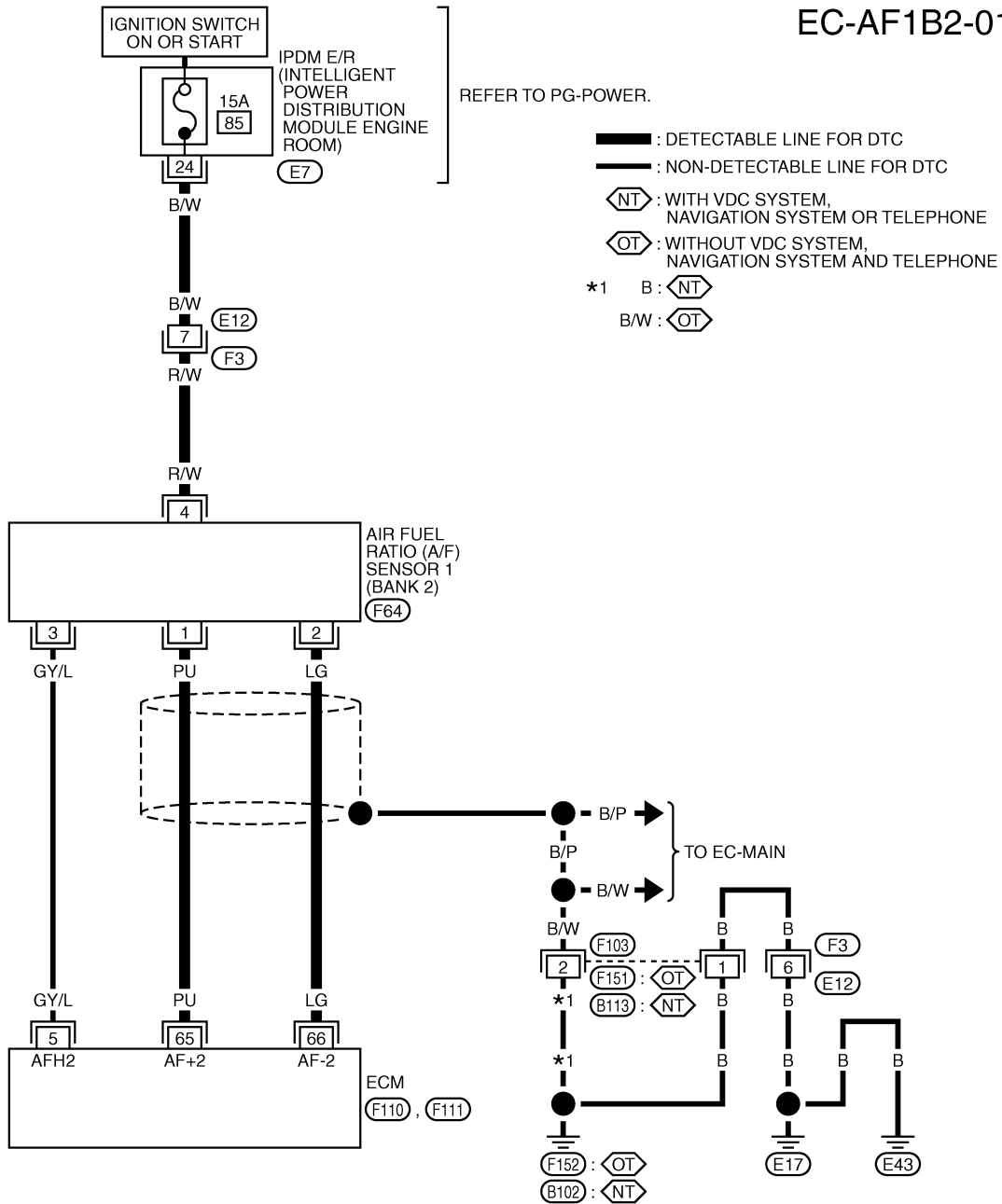
TER-MINAL NO.	WIRE COLOR	ITEM	CONDITION	DATA (DC Voltage)
1	W/R	A/F sensor 1 heater (bank 1)	<p>[Engine is running]</p> <ul style="list-style-type: none"> ● Warm-up condition ● Idle speed (More than 140 seconds after starting engine) 	<p>2.9 - 8.8V★</p>  <p style="text-align: right;">PBIB3538E</p>
57	L	A/F sensor 1 (bank 1)	[Ignition switch: ON]	2.2V
61	R	A/F sensor 1 (bank 1)	<p>[Ignition switch: ON]</p> <ul style="list-style-type: none"> ● Warm-up condition ● Engine speed: 2,000 rpm 	<p>1.8V</p> <p>Output voltage varies with air fuel ratio.</p>

★: Average voltage for pulse signal (Actual pulse signal can be confirmed by oscilloscope.)

DTC P2A00, P2A03 A/F SENSOR 1

BANK 2

EC-AF1B2-01



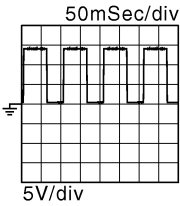
TBWT1633E

DTC P2A00, P2A03 A/F SENSOR 1

Specification data are reference values and are measured between each terminal and ground.
Pulse signal is measured by CONSULT-III.

CAUTION:

Do not use ECM ground terminals when measuring input/output voltage. Doing so may result in damage to the ECM's transistor. Use a ground other than ECM terminals, such as the ground.

TER-MINAL NO.	WIRE COLOR	ITEM	CONDITION	DATA (DC Voltage)
5	GY/L	A/F sensor 1 heater (bank 2)	<p>[Engine is running]</p> <ul style="list-style-type: none"> ● Warm-up condition ● Idle speed (More than 140 seconds after starting engine) 	<p>2.9 - 8.8★</p>  <p style="text-align: right;">PBIB3538E</p>
65	PU	A/F sensor 1 (bank 2)	[Ignition switch: ON]	2.2V
66	LG	A/F sensor 1 (bank 2)	<p>[Ignition switch: ON]</p> <ul style="list-style-type: none"> ● Warm-up condition ● Engine speed: 2,000 rpm 	<p>1.8V</p> <p>Output voltage varies with air fuel ratio.</p>

★: Average voltage for pulse signal (Actual pulse signal can be confirmed by oscilloscope.)

DTC P2A00, P2A03 A/F SENSOR 1

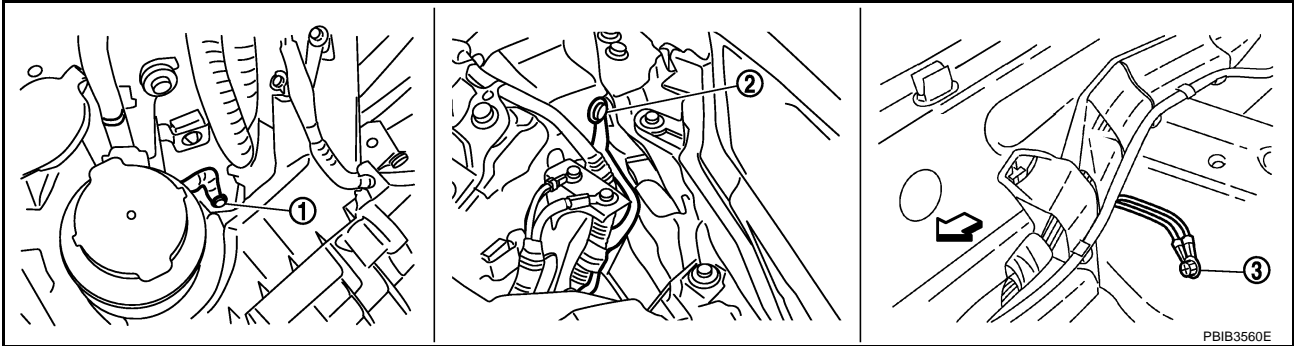
Diagnostic Procedure

NBS001NX

1. CHECK GROUND CONNECTIONS

Models with VDC system, navigation system or telephone

1. Turn ignition switch OFF.
2. Loosen and retighten ground screws on the body. Refer to [EC-150, "Ground Inspection"](#) .



1. Body ground E17

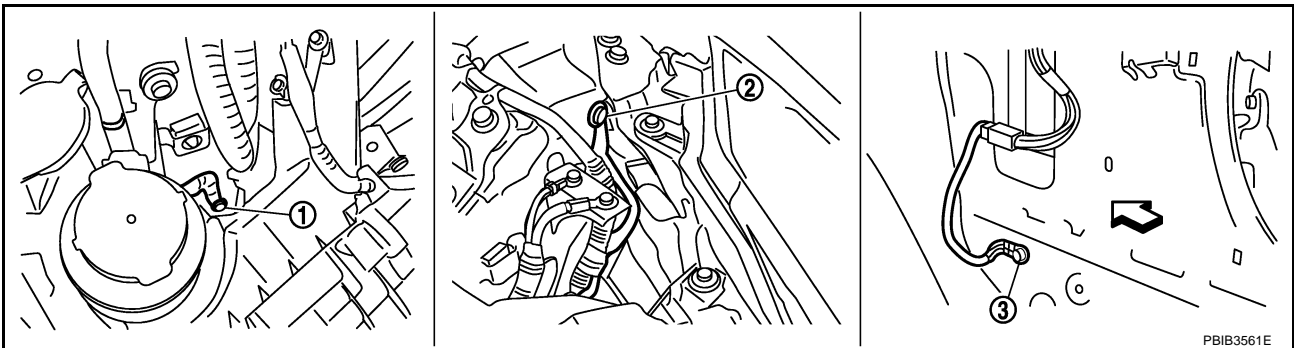
2. Body ground E43

3. Body ground B102

↔ Vehicle front

Models without VDC system, navigation system and telephone

1. Turn ignition switch OFF.
2. Loosen and retighten ground screws on the body. Refer to [EC-150, "Ground Inspection"](#) .



1. Body ground E17

2. Body ground E43

3. Body ground F152
(Passenger side view with dash side
finisher removed)

↔ Vehicle front

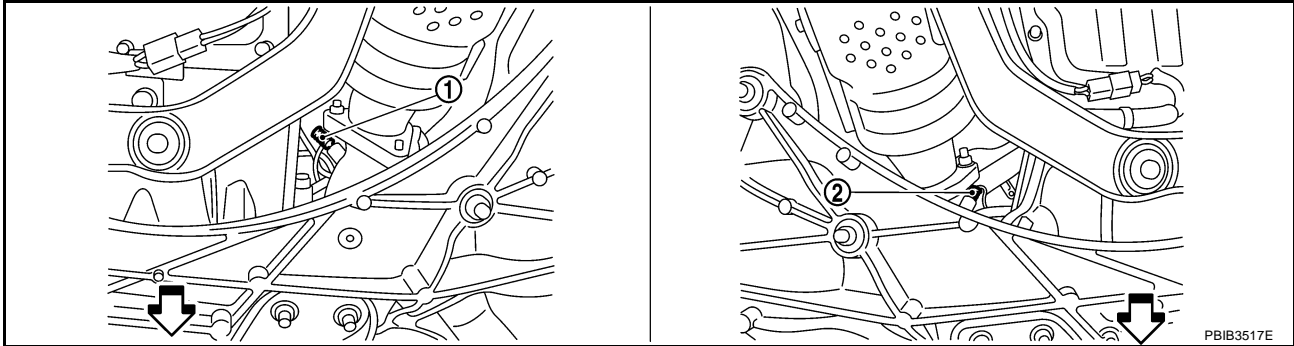
OK or NG

- OK >> GO TO 2.
NG >> Repair or replace ground connections.

DTC P2A00, P2A03 A/F SENSOR 1

2. RETIGHTEN AIR FUEL RATIO SENSOR 1

1. Loosen and retighten the air fuel ratio (A/F) sensor 1.



1. A/F sensor 1 (bank1)

2. A/F sensor 1 (bank 2)

⇐ Vehicle front

Tightening torque: 50 N-m (5.1 kg-m, 37 ft-lb)

>> GO TO 3.

3. CHECK FOR INTAKE AIR LEAK

1. Start engine and run it at idle.
2. Listen for an intake air leak after the mass air flow sensor.

OK or NG

OK >> GO TO 4.

NG >> Repair or replace.

DTC P2A00, P2A03 A/F SENSOR 1

4. CLEAR THE SELF-LEARNING DATA

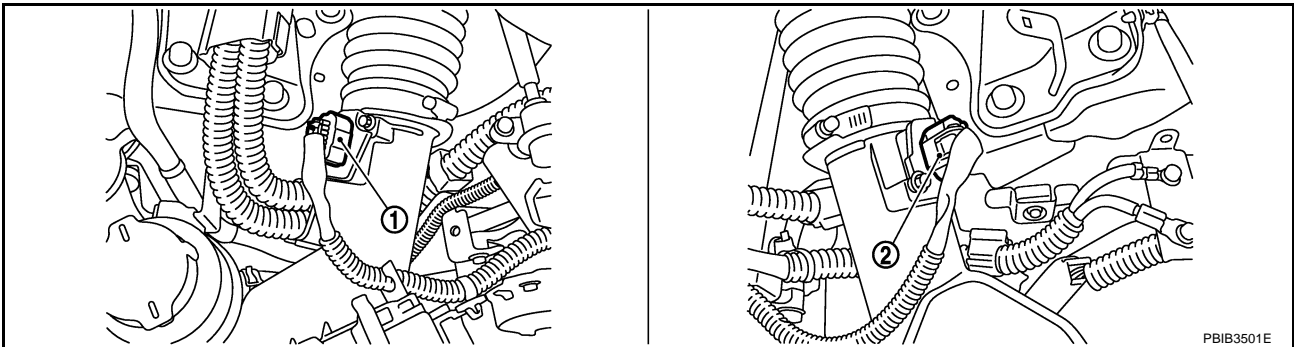
With CONSULT-III

1. Start engine and warm it up to normal operating temperature.
2. Select "SELF-LEARNING CONT" in "WORK SUPPORT" mode with CONSULT-III.
3. Clear the self-learning control coefficient by touching "CLEAR".
4. Run engine for at least 10 minutes at idle speed.

**Is the 1st trip DTC P0171, P0172, P0174 or P0175 detected?
Is it difficult to start engine?**

Without CONSULT-III

1. Start engine and warm it up to normal operating temperature.
2. Turn ignition switch OFF.
3. Disconnect mass air flow sensor (bank 1) harness connector.



1. Mass air flow sensor (with intake air temperature sensor) (bank 1)
2. Mass air flow sensor (with intake air temperature sensor) (bank 2)

4. Restart engine and let it idle for at least 5 seconds.
5. Stop engine and reconnect mass air flow sensor (bank 1) harness connector.
6. Make sure DTC P0102 is displayed.
7. Erase the DTC memory. Refer to [EC-61, "HOW TO ERASE EMISSION-RELATED DIAGNOSTIC INFORMATION"](#).
8. Make sure DTC P0000 is displayed.
9. Run engine for at least 10 minutes at idle speed.
**Is the 1st trip DTC P0171, P0172, P0174 or P0175 detected?
Is it difficult to start engine?**

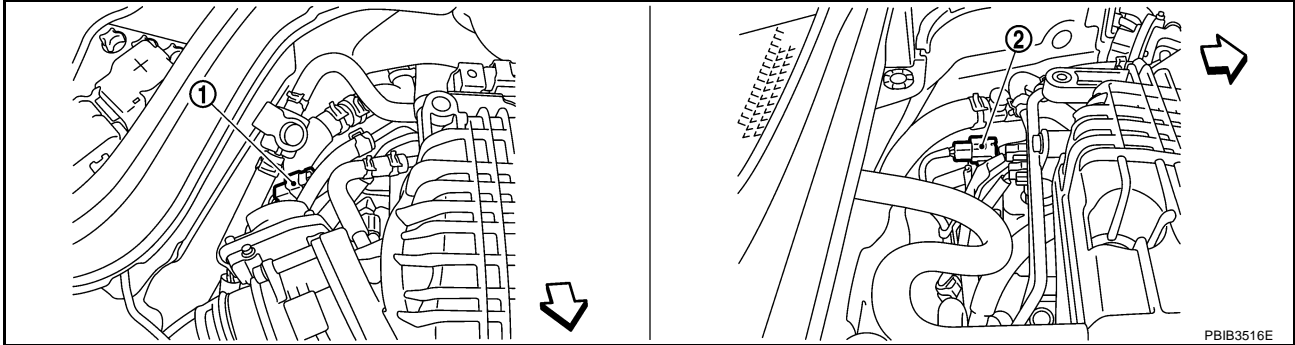
Yes or No

- Yes >> Perform trouble diagnosis for DTC P0171, P0174 or P0172, P0175. Refer to [EC-324, "DTC P0171, P0174 FUEL INJECTION SYSTEM FUNCTION"](#) or [EC-334, "DTC P0172, P0175 FUEL INJECTION SYSTEM FUNCTION"](#).
- No >> GO TO 5.

DTC P2A00, P2A03 A/F SENSOR 1

5. CHECK HARNESS CONNECTOR

1. Turn ignition switch OFF.
2. Disconnect A/F sensor 1 harness connector.



1. A/F sensor 1 (bank 1) harness connector
2. A/F sensor 1 (bank 2) harness connector

← Vehicle front

3. Check harness connector for water.

Water should not exit.

OK or NG

- OK >> GO TO 6.
- NG >> Repair or replace harness connector.

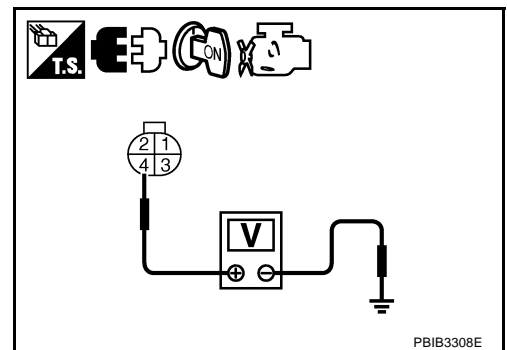
6. CHECK A/F SENSOR 1 POWER SUPPLY CIRCUIT

1. Turn ignition switch ON.
2. Check voltage between A/F sensor 1 terminal 4 and ground with CONSULT-III or tester.

Voltage: Battery voltage

OK or NG

- OK >> GO TO 8.
- NG >> GO TO 7.



7. DETECT MALFUNCTIONING PART

Check the following.

- Harness connectors E12, F3
- IPDM E/R harness connector E7
- 15A fuse
- Harness for open or short between A/F sensor 1 and fuse

>> Repair or replace harness or connectors.

DTC P2A00, P2A03 A/F SENSOR 1

8. CHECK A/F SENSOR 1 INPUT SIGNAL CIRCUIT FOR OPEN AND SHORT

1. Turn ignition switch OFF.
2. Disconnect ECM harness connector.
3. Check harness continuity between the following terminals.
Refer to Wiring Diagram.

	A/F sensor 1 terminal	ECM terminal
Bank1	1	57
	2	61
Bank 2	1	65
	2	66

Continuity should exist.

4. Check harness continuity between the following terminals and ground.
Refer to Wiring Diagram.

Bank 1		Bank 2	
A/F sensor 1 terminal	ECM terminal	A/F sensor 1 terminal	ECM terminal
1	57	1	65
2	61	2	66

Continuity should not exist.

5. Also check harness for short to power.

OK or NG

OK >> GO TO 9.

NG >> Repair open circuit or short to ground or short to power in harness or connectors.

9. CHECK AIR FUEL RATIO (A/F) SENSOR 1 HEATER

Refer to [EC-172. "Component Inspection"](#) .

OK or NG

OK >> GO TO 10.

NG >> GO TO 11.

10. CHECK INTERMITTENT INCIDENT

Perform [EC-141. "TROUBLE DIAGNOSIS FOR INTERMITTENT INCIDENT"](#) .

OK or NG

OK >> GO TO 11.

NG >> Repair or replace.

11. REPLACE AIR FUEL RATIO (A/F) SENSOR 1

Replace malfunctioning A/F sensor 1.

CAUTION:

- Discard any A/F sensor which has been dropped from a height of more than 0.5 m (19.7 in) onto a hard surface such as a concrete floor; use a new one.
- Before installing new A/F sensor, clean exhaust system threads using Oxygen Sensor Thread Cleaner tool J-43897-18 or J-43897-12 and approved anti-seize lubricant.

>> GO TO 12.

DTC P2A00, P2A03 A/F SENSOR 1

12. CONFIRM A/F ADJUSTMENT DATA

1. Turn ignition switch ON.
2. Select "A/F ADJ-B1" and "A/F ADJ-B2" in "DATA MONITOR" mode with CONSULT-III.
3. Make sure that "0.000" is displayed on CONSULT-III screen.

OK or NG

- OK >> **INSPECTION END**
- NG >> GO TO 13.

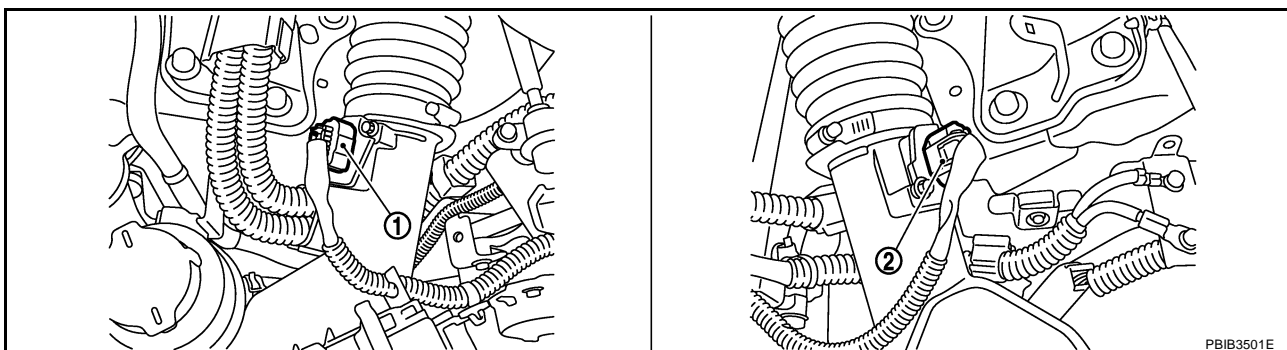
13. CLEAR THE SELF-LEARNING DATA.

With CONSULT-III

1. Start engine and warm it up to normal operating temperature.
2. Select "SELF-LEARNING CONT" in "WORK SUPPORT" mode with CONSULT-III.
3. Clear the self-learning control coefficient by touching "CLEAR".

Without CONSULT-III

1. Start engine and warm it up to normal operating temperature.
2. Turn ignition switch OFF.
3. Disconnect mass air flow sensor (bank 1) harness connector.



1. Mass air flow sensor (with intake air temperature sensor) (bank 1)
2. Mass air flow sensor (with intake air temperature sensor) (bank 2)

4. Restart engine and let it idle for at least 5 seconds.
5. Stop engine and reconnect mass air flow sensor (bank 1) harness connector.
6. Make sure DTC P0102 is displayed.
7. Erase the DTC memory. Refer to [EC-61, "HOW TO ERASE EMISSION-RELATED DIAGNOSTIC INFORMATION"](#).
8. Make sure DTC P0000 is displayed.

>> GO TO 14.

14. CONFIRM A/F ADJUSTMENT DATA

1. Turn ignition switch OFF and then ON.
2. Select "A/F ADJ-B1" and "A/F ADJ-B2" in "DATA MONITOR" mode with CONSULT-III.
3. Make sure that "0.000" is displayed on CONSULT-III screen.

>> **INSPECTION END**

Removal and Installation AIR FUEL RATIO (A/F) SENSOR 1

Refer to [EM-22, "EXHAUST MANIFOLD AND THREE WAY CATALYST"](#).

NBS000EK

ASCD BRAKE SWITCH

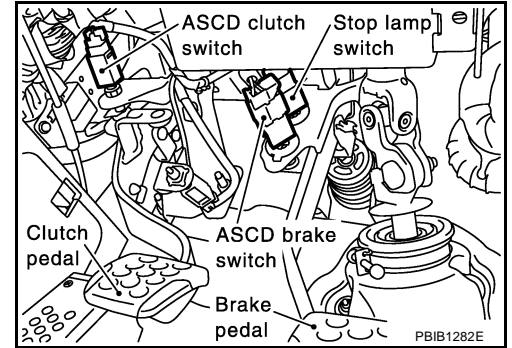
PFP:25320

ASCD BRAKE SWITCH

Component Description

When the brake pedal is depressed, ASCD brake switch is turned OFF and stop lamp switch is turned ON. ECM detects the state of the brake pedal by this input of two kinds (ON/OFF signal).

Refer to [EC-30, "AUTOMATIC SPEED CONTROL DEVICE \(ASCD\)"](#) for the ASCD function.



CONSULT-III Reference Value in Data Monitor Mode

Specification data are reference values.

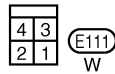
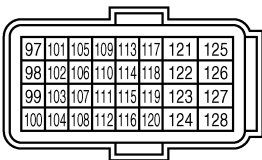
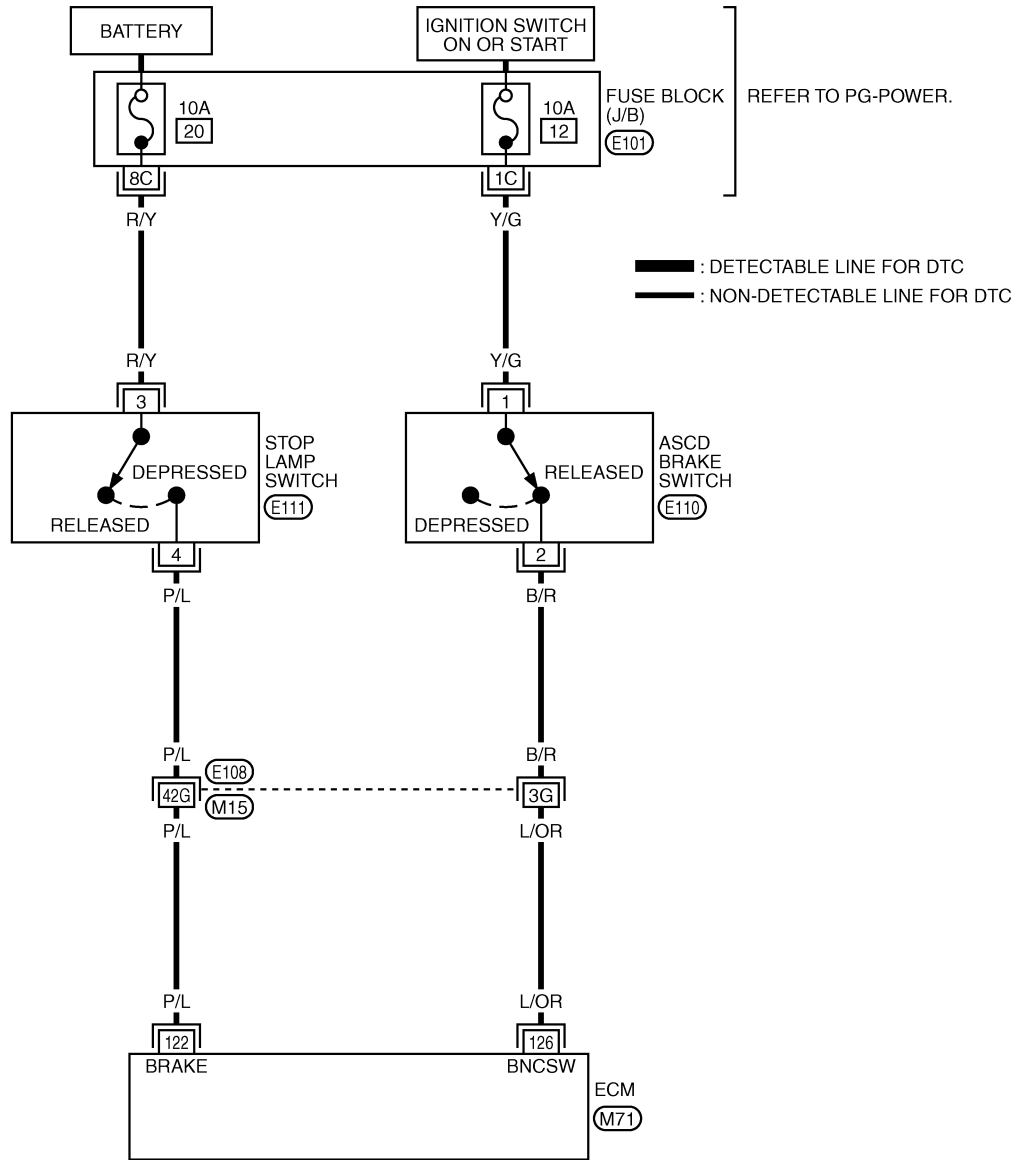
MONITOR ITEM	CONDITION		SPECIFICATION
BRAKE SW1 (ASCD brake switch)	● Ignition switch: ON	● Brake pedal: Fully released (A/T) ● Brake pedal and clutch pedal: Fully released (M/T)	ON
		● Brake pedal: Slightly depressed (A/T) ● Brake pedal and/or clutch pedal: Slightly depressed (M/T)	OFF
BRAKE SW2 (Stop lamp switch)	● Ignition switch: ON	Brake pedal: Fully released	OFF
		Brake pedal: Slightly depressed	ON

ASC D BRAKE SWITCH

NBS0001B

Wiring Diagram A/T MODELS

EC-ASCBOF-01



REFER TO THE FOLLOWING.

(E108) -SUPER MULTIPLE JUNCTION (SMJ)

(E101) -FUSE BLOCK-JUNCTION BOX (J/B)

TBWT1675E

ASCD BRAKE SWITCH

Specification data are reference values and are measured between each terminal and ground.

CAUTION:

Do not use ECM ground terminals when measuring input/output voltage. Doing so may result in damage to the ECM's transistor. Use a ground other than ECM terminals, such as the ground.

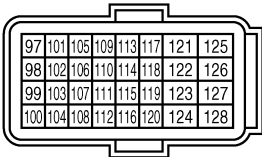
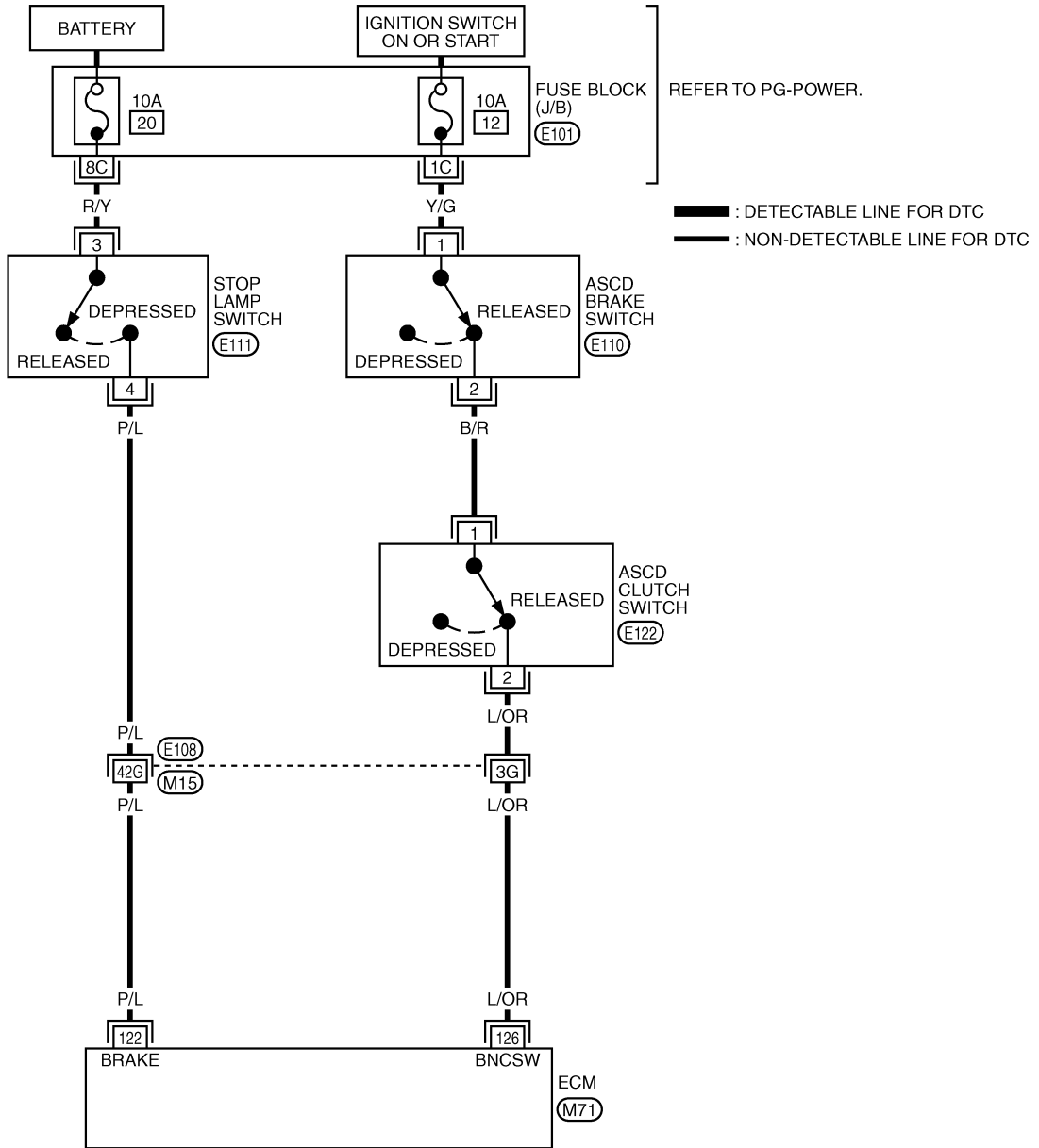
TER-MINAL NO.	WIRE COLOR	ITEM	CONDITION	DATA (DC Voltage)
122	P/L	Stop lamp switch	[Ignition switch: OFF] ● Brake pedal: Fully released	0V
			[Ignition switch: OFF] ● Brake pedal: Slightly depressed	BATTERY VOLTAGE (11 - 14V)
126	L/OR	ASCD brake switch	[Ignition switch: ON] ● Brake pedal: Slightly depressed	0V
			[Ignition switch: ON] ● Brake pedal: Fully released	BATTERY VOLTAGE (11 - 14V)

A
EC
C
D
E
F
G
H
I
J
K
L
M

ASCD BRAKE SWITCH

M/T MODELS

EC-ASCBOF-02



(M71) GY



2
1

(E110) BR

4 3
2 1

(E111) W

1 2

(E122) L

REFER TO THE FOLLOWING.

(E108) -SUPER MULTIPLE JUNCTION (SMJ)

(E101) -FUSE BLOCK-JUNCTION BOX (J/B)

TBWT1676E

ASCD BRAKE SWITCH

Specification data are reference values and are measured between each terminal and ground.

CAUTION:

Do not use ECM ground terminals when measuring input/output voltage. Doing so may result in damage to the ECM's transistor. Use a ground other than ECM terminals, such as the ground.

TER-MINAL NO.	WIRE COLOR	ITEM	CONDITION	DATA (DC Voltage)
122	P/L	Stop lamp switch	[Ignition switch: OFF] ● Brake pedal: Fully released	0V
			[Ignition switch: OFF] ● Brake pedal: Slightly depressed	BATTERY VOLTAGE (11 - 14V)
126	L/OR	ASCD brake switch	[Ignition switch: ON] ● Brake pedal and/or clutch pedal: Slightly depressed	0V
			[Ignition switch: ON] ● Brake pedal and clutch pedal: Fully released	BATTERY VOLTAGE (11 - 14V)

Diagnostic Procedure

NBS0001C

A/T MODELS

1. CHECK OVERALL FUNCTION-I

 **With CONSULT-III**

1. Turn ignition switch ON.
2. Select "BRAKE SW1" in "DATA MONITOR" mode with CONSULT-III.
3. Check "BRAKE SW1" indication under the following conditions.

CONDITION	INDICATION
Brake pedal: Slightly depressed	OFF
Brake pedal: Fully released	ON

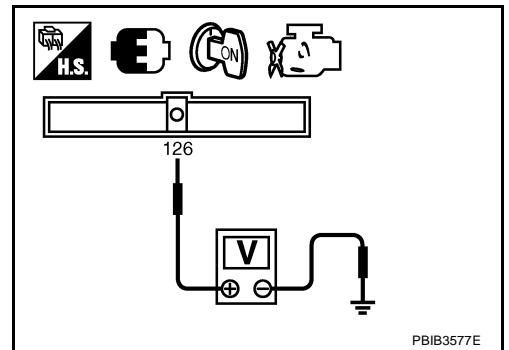
 **Without CONSULT-III**

1. Turn ignition switch ON.
2. Check voltage between ECM terminal 126 and ground under the following conditions.

CONDITION	VOLTAGE
Brake pedal: Slightly depressed	Approximately 0V
Brake pedal: Fully released	Battery voltage

OK or NG

- OK >> **INSPECTION END**
 NG >> **GO TO 2.**

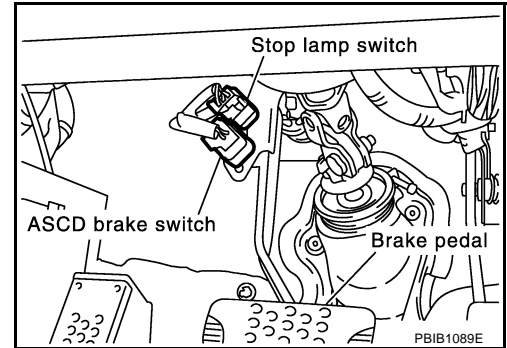


PBIB3577E

ASCD BRAKE SWITCH

2. CHECK ASCD BRAKE SWITCH POWER SUPPLY CIRCUIT

1. Turn ignition switch OFF.
2. Disconnect ASCD brake switch harness connector.
3. Turn ignition switch ON.

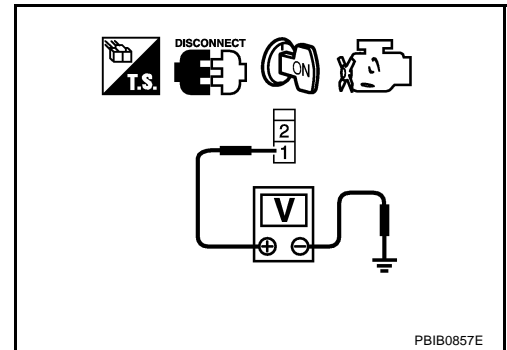


4. Check voltage between ASCD brake switch terminal 1 and ground with CONSULT-III or tester.

Voltage: Battery voltage

OK or NG

- OK >> GO TO 4.
- NG >> GO TO 3.



3. DETECT MALFUNCTIONING PART

Check the following.

- Fuse block (J/B) connector E101
- 10A fuse
- Harness for open or short between ASCD brake switch and fuse

>> Repair open circuit or short to ground or short to power in harness or connectors.

4. CHECK ASCD BRAKE SWITCH INPUT SIGNAL CIRCUIT FOR OPEN AND SHORT

1. Turn ignition switch OFF.
2. Disconnect ECM harness connector.
3. Check harness continuity between ECM terminal 126 and ASCD brake switch terminal 2. Refer to Wiring Diagram.

Continuity should exist.

4. Also check harness for short to ground and short to power.

OK or NG

- OK >> GO TO 6.
- NG >> GO TO 5.

5. DETECT MALFUNCTIONING PART

Check the following.

- Harness connectors E108, M15
- Harness for open or short between ECM and ASCD brake switch

>> Repair open circuit or short to ground or short to power in harness or connectors.

ASCD BRAKE SWITCH

6. CHECK ASCD BRAKE SWITCH

Refer to [EC-680, "Component Inspection"](#)

OK or NG

- OK >> GO TO 7.
- NG >> Replace ASCD brake switch.

7. CHECK INTERMITTENT INCIDENT

Refer to [EC-141, "TROUBLE DIAGNOSIS FOR INTERMITTENT INCIDENT"](#) .

>> **INSPECTION END**

M/T MODELS

1. CHECK OVERALL FUNCTION-I

 **With CONSULT-III**

1. Turn ignition switch ON.
2. Select "BRAKE SW1" in "DATA MONITOR" mode with CONSULT-III.
3. Check "BRAKE SW1" indication under the following conditions.

CONDITION	INDICATION
Brake pedal and/or clutch pedal: Slightly depressed	OFF
Brake pedal and clutch pedal: Fully released	ON

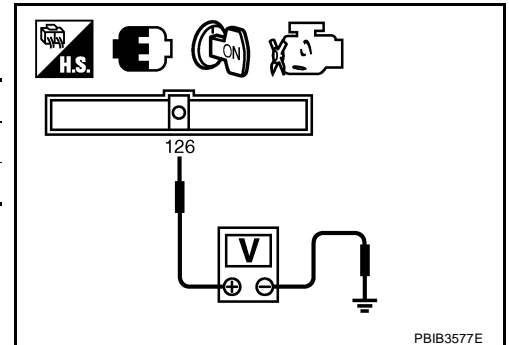
 **Without CONSULT-III**

1. Turn ignition switch ON.
2. Check voltage between ECM terminal 126 and ground under the following conditions.

CONDITION	VOLTAGE
Brake pedal and/or clutch pedal: Slightly depressed	Approximately 0V
Brake pedal and clutch pedal: Fully released	Battery voltage

OK or NG

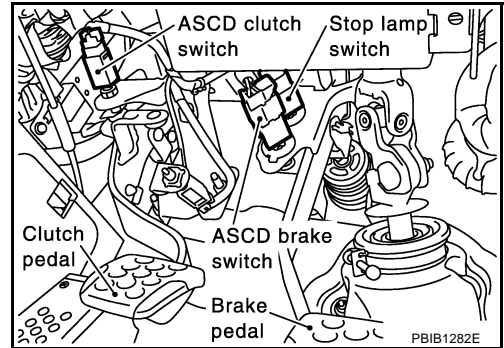
- OK >> **INSPECTION END**
- NG >> GO TO 2.



ASCD BRAKE SWITCH

2. CHECK ASCD BRAKE SWITCH CIRCUIT

1. Turn ignition switch OFF.
2. Disconnect ASCD clutch switch harness connector.
3. Turn ignition switch ON.

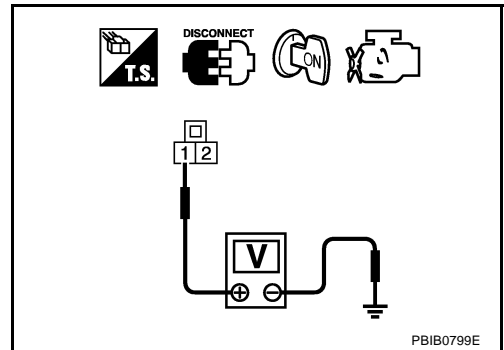


4. Check voltage between ASCD clutch switch terminal 1 and ground with CONSULT-III or tester.

Voltage: Battery voltage

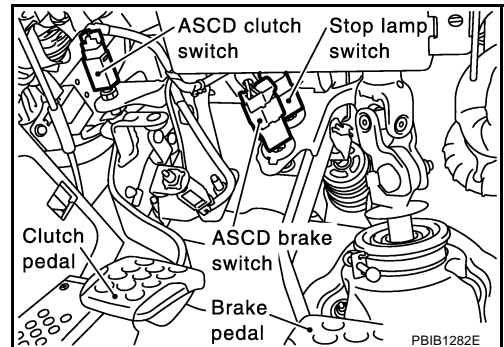
OK or NG

- OK >> GO TO 7.
- NG >> GO TO 3.



3. CHECK ASCD BRAKE SWITCH POWER SUPPLY CIRCUIT

1. Turn ignition switch OFF.
2. Disconnect ASCD brake switch harness connector.
3. Turn ignition switch ON.

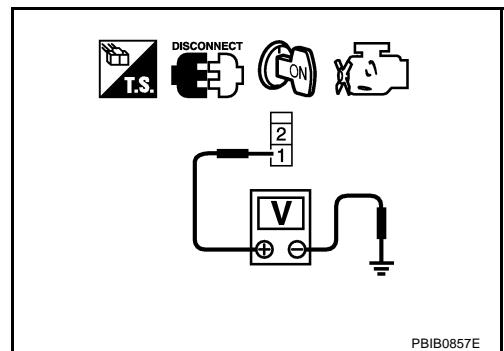


4. Check voltage between ASCD brake switch terminal 1 and ground with CONSULT-III or tester.

Voltage: Battery voltage

OK or NG

- OK >> GO TO 5.
- NG >> GO TO 4.



ASCD BRAKE SWITCH

4. DETECT MALFUNCTIONING PART

Check the following.

- Fuse block (J/B) connector E101
- 10A fuse
- Harness for open or short between ASCD brake switch and fuse

>> Repair open circuit or short to ground or short to power in harness or connectors.

5. CHECK ASCD BRAKE SWITCH INPUT SIGNAL CIRCUIT FOR OPEN AND SHORT

1. Turn ignition switch OFF.
2. Check harness continuity between ASCD brake switch terminal 2 and ASCD clutch switch terminal 1. Refer to Wiring Diagram.

Continuity should exist.

3. Also check harness for short to ground and short to power.

OK or NG

OK >> GO TO 6.

NG >> Repair open circuit or short to ground or short to power in harness or connectors.

6. CHECK ASCD BRAKE SWITCH

Refer to [EC-680, "Component Inspection"](#)

OK or NG

OK >> GO TO 10.

NG >> Replace ASCD brake switch.

7. CHECK ASCD CLUTCH SWITCH INPUT SIGNAL CIRCUIT FOR OPEN AND SHORT

1. Turn ignition switch OFF.
2. Disconnect ECM harness connector.
3. Check harness continuity between ASCD clutch switch terminal 2 and ECM terminal 126. Refer to Wiring Diagram.

Continuity should exist.

4. Also check harness for short to ground and short to power.

OK or NG

OK >> GO TO 9.

NG >> GO TO 8.

8. DETECT MALFUNCTIONING PART

Check the following.

- Harness connectors E108, M15
- Harness for open or short between ECM and ASCD clutch switch

>> Repair open circuit or short to ground or short to power in harness or connectors.

9. CHECK ASCD CLUTCH SWITCH

Refer to [EC-680, "Component Inspection"](#) .

OK or NG

OK >> GO TO 10.

NG >> Replace ASCD clutch switch.

ASCD BRAKE SWITCH

10. CHECK INTERMITTENT INCIDENT

Refer to [EC-141, "TROUBLE DIAGNOSIS FOR INTERMITTENT INCIDENT"](#) .

>> INSPECTION END

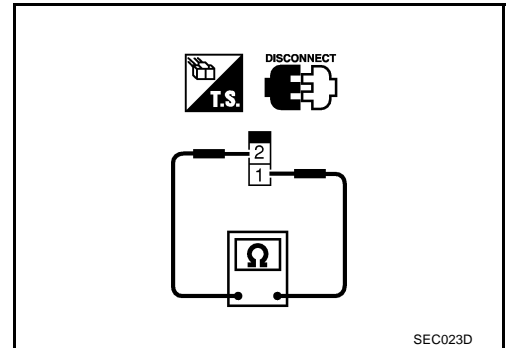
Component Inspection ASCD BRAKE SWITCH

NBS0001D

1. Turn ignition switch OFF.
2. Disconnect ASCD brake switch harness connector.
3. Check continuity between ASCD brake switch terminals 1 and 2 under the following conditions.

Condition	Continuity
Brake pedal: Fully released	Should exist
Brake pedal: Slightly depressed	Should not exist

If NG, adjust ASCD brake switch installation, refer to [BR-7, "BRAKE PEDAL"](#) , and perform step 3 again.

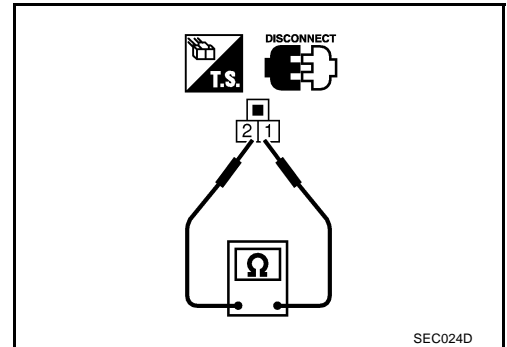


ASCD CLUTCH SWITCH (M/T MODELS)

1. Turn ignition switch OFF.
2. Disconnect ASCD clutch switch harness connector.
3. Check continuity between ASCD clutch switch terminals 1 and 2 under the following conditions.

Condition	Continuity
Clutch pedal: Fully released	Should exist
Clutch pedal: Slightly depressed	Should not exist

If NG, adjust ASCD clutch switch installation, refer to [CL-5, "CLUTCH PEDAL"](#) , and perform step 3 again.



ASCD INDICATOR

ASCD INDICATOR

PFP:24814

Component Description

NBS0001E

ASCD indicator lamp illuminates to indicate ASCD operation status. Lamp has two indicators, CRUISE, SET, and is integrated in combination meter.

CRUISE indicator illuminates when MAIN switch on ASCD steering switch is turned ON to indicated that ASCD system is ready for operation.

SET indicator illuminates when following conditions are met.

- CRUISE indicator is illuminated.
- SET/COAST switch on ASCD steering switch is turned ON while vehicle speed is within the range of ASCD setting.

SET indicator remains lit during ASCD control.

Refer to [EC-30, "AUTOMATIC SPEED CONTROL DEVICE \(ASCD\)"](#) for the ASCD function.

CONSULT-III Reference Value in Data Monitor Mode

NBS0001F

Specification data are reference value.

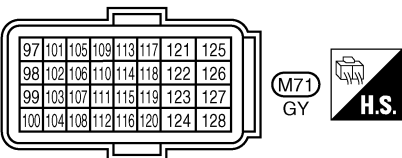
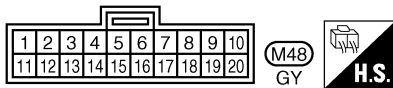
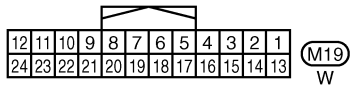
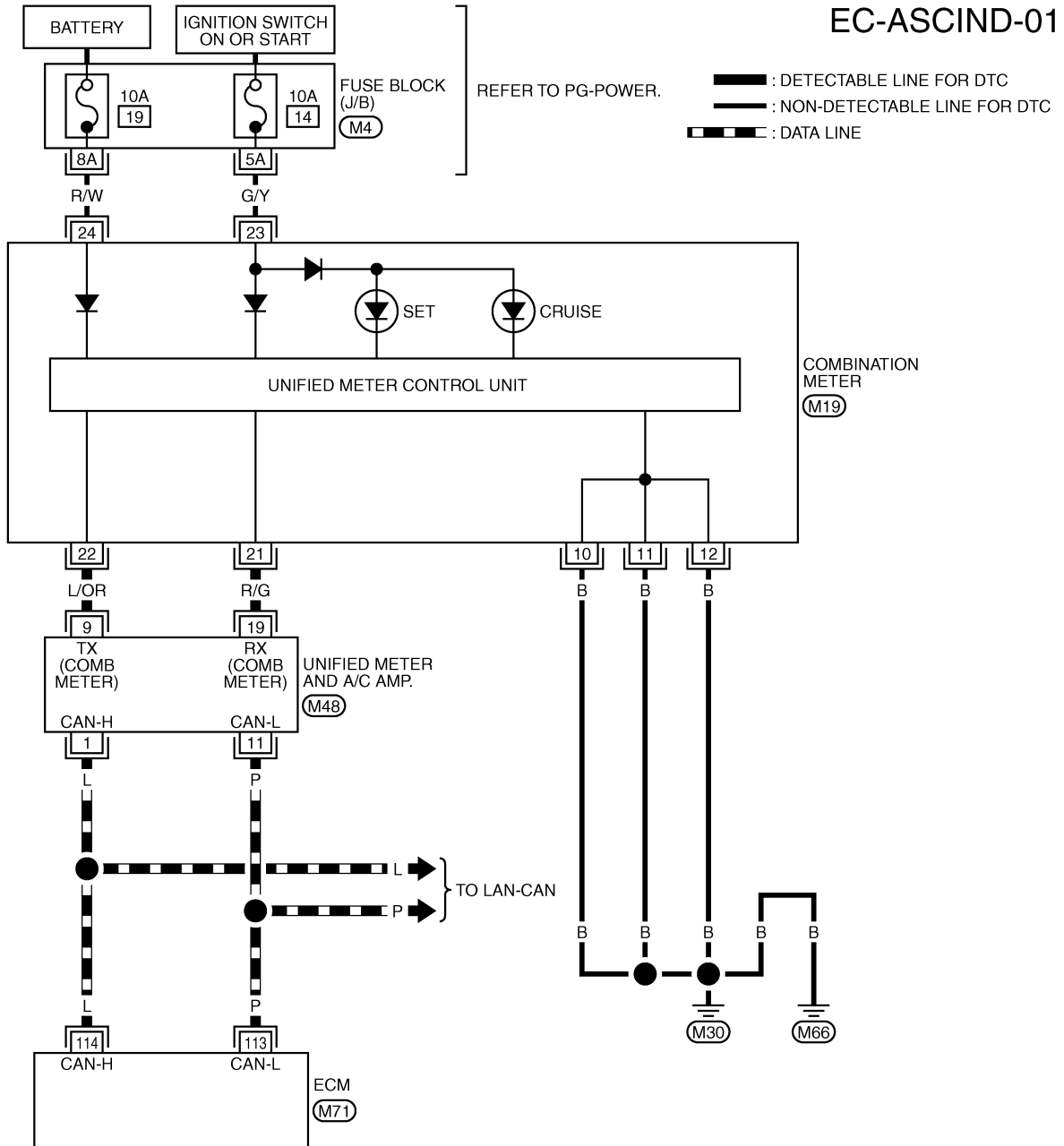
MONITOR ITEM	CONDITION		SPECIFICATION
CRUISE LAMP	● Ignition switch: ON	MAIN switch: Pressed at the 1st time → at the 2nd time	ON → OFF
SET LAMP	● MAIN switch: ON ● When vehicle speed is between 40 km/h (25 MPH) and 144 km/h (89MPH)	ASCD: Operating	ON
		ASCD: Not operating	OFF

ASC D INDICATOR

NBS0001G

Wiring Diagram

EC-ASCIND-01



REFER TO THE FOLLOWING.

(M4) - FUSE BLOCK-JUNCTION BOX (J/B)

TBWT1677E

ASCD INDICATOR

Diagnostic Procedure

NBS0001H

1. CHECK OVERALL FUNCTION

Check ASCD indicator under the following conditions.

ASCD INDICATOR	CONDITION		SPECIFICATION
CRUISE LAMP	● Ignition switch: ON	● MAIN switch: Pressed at the 1st time → at the 2nd time	ON → OFF
SET LAMP	● MAIN switch: ON ● When vehicle speed is between 40 km/h (25 MPH) and 144 km/h (89 MPH)	ASCD: Operating	ON
		ASCD: Not operating	OFF

OK or NG

OK >> **INSPECTION END**

NG >> GO TO 2.

2. CHECK DTC

Check that DTC U1000 or U1001 is not displayed.

OK or NG

OK >> GO TO 3.

NG >> Perform trouble diagnoses for DTC U1000, U1001. Refer to [EC-151, "DTC U1000, U1001 CAN COMMUNICATION LINE"](#).

3. CHECK DTC WITH "UNIFIED METER AND A/C AMP."

Refer to [DI-47, "SELF-DIAGNOSTIC RESULTS"](#).

OK or NG

OK >> GO TO 4.

NG >> Go to [DI-52, "DTC \[B2202\] Meter Communication Circuit"](#).

4. CHECK INTERMITTENT INCIDENT

Refer to [EC-141, "TROUBLE DIAGNOSIS FOR INTERMITTENT INCIDENT"](#).

>> **INSPECTION END**

ELECTRICAL LOAD SIGNAL

ELECTRICAL LOAD SIGNAL

PFP:25350

Description

NBS00016

The electrical load signal (Headlamp switch signal, rear window defogger switch signal, etc.) is transferred through the CAN communication line from BCM to ECM via IPDM E/R.

CONSULT-III Reference Value in Data Monitor Mode

NBS00017

Specification data are reference values.

MONITOR ITEM	CONDITION		SPECIFICATION
LOAD SIGNAL	● Ignition switch: ON	Rear window defogger switch: ON and/ or lighting switch: 2nd position	ON
		Rear window defogger switch and light- ing switch: OFF	OFF
HEATER FAN SW	● Engine: After warming up, idle the engine	Heater fan switch: ON	ON
		Heater fan switch: OFF	OFF

Diagnostic Procedure

NBS00018

1. CHECK LOAD SIGNAL CIRCUIT OVERALL FUNCTION-I

1. Turn ignition switch ON.
2. Connect CONSULT-III and select "DATA MONITOR" mode.
3. Select "LOAD SIGNAL" and check indication under the following conditions.

Condition	Indication
Rear window defogger switch: ON	ON
Rear window defogger switch: OFF	OFF

OK or NG

- OK >> GO TO 2.
NG >> GO TO 4.

2. CHECK LOAD SIGNAL CIRCUIT OVERALL FUNCTION-II

Check "LOAD SIGNAL" indication under the following conditions.

Condition	Indication
Lighting switch: ON at 2nd position	ON
Lighting switch: OFF	OFF

OK or NG

- OK >> GO TO 3.
NG >> GO TO 5.

3. CHECK HEATER FAN SIGNAL CIRCUIT OVERALL FUNCTION

With CONSULT-III

Check "HEATER FAN SW" in "DATA MONITOR" mode with CONSULT-III under the following conditions.

Condition	Indication
Heater fan: Operating	ON
Heater fan: Not operating	OFF

OK or NG

- OK >> **INSPECTION END**
NG >> GO TO 6.

ELECTRICAL LOAD SIGNAL

4. CHECK REAR WINDOW DEFOGGER SYSTEM

A

Refer to [GW-56, "REAR WINDOW DEFOGGER"](#) .

>> INSPECTION END

EC

5. CHECK HEADLAMP SYSTEM

C

Refer to [LT-5, "HEADLAMP \(FOR USA\)"](#) or [LT-32, "HEADLAMP \(FOR CANADA\) - DAYTIME LIGHT SYSTEM -"](#) .

>> INSPECTION END

D

6. CHECK HEATER FAN CONTROL SYSTEM

E

Refer to [ATC-33, "TROUBLE DIAGNOSIS"](#) .

>> INSPECTION END

F

G

H

I

J

K

L

M

FUEL INJECTOR

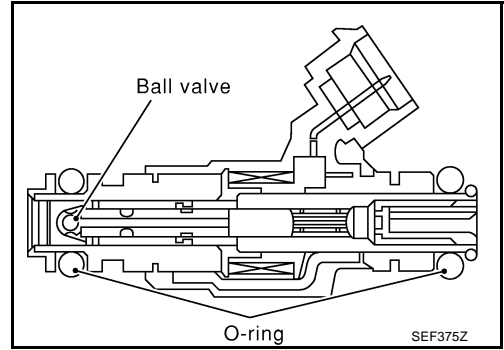
FUEL INJECTOR

PFP:16600

Component Description

NBS000HQ

The fuel injector is a small, precise solenoid valve. When the ECM supplies a ground to the fuel injector circuit, the coil in the fuel injector is energized. The energized coil pulls the ball valve back and allows fuel to flow through the fuel injector into the intake manifold. The amount of fuel injected depends upon the fuel injection pulse duration. Pulse duration is the length of time the fuel injector remains open. The ECM controls the injection pulse duration based on engine fuel needs.



CONSULT-III Reference Value in Data Monitor Mode

NBS000HR

Specification data are reference values.

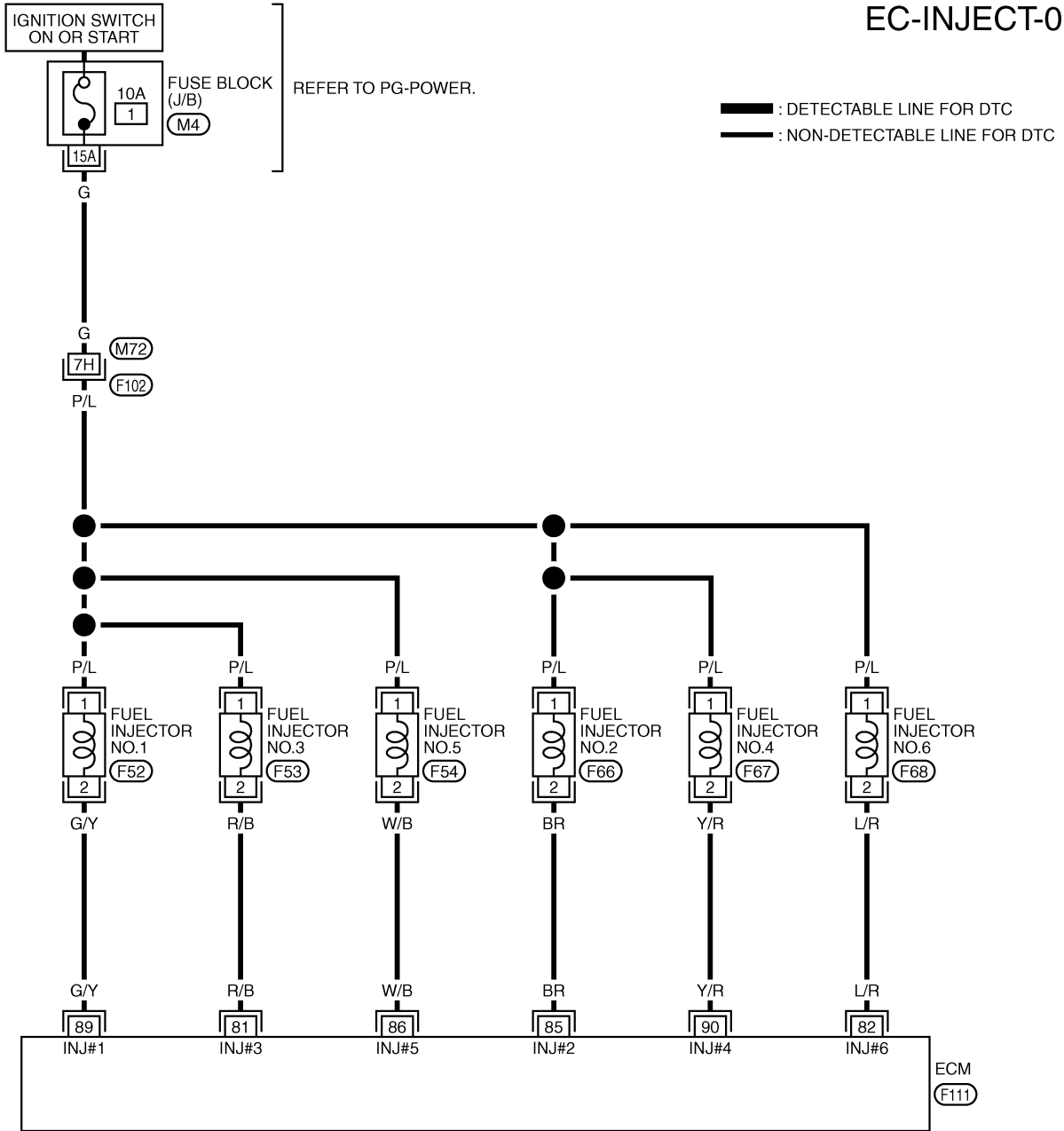
MONITOR ITEM	CONDITION	SPECIFICATION
B/FUEL SCHDL	See EC-132. "TROUBLE DIAGNOSIS - SPECIFICATION VALUE" .	
INJ PULSE-B1 INJ PULSE-B2	<ul style="list-style-type: none"> ● Engine: After warming up ● Shift lever: P or N (A/T), Neutral (M/T) position ● Air conditioner switch: OFF ● No load 	Idle
		2,000 rpm
		2.0 - 3.0 msec
		1.9 - 2.9 msec

FUEL INJECTOR

Wiring Diagram

NBS000HS

EC-INJECT-01



A

EC

C

D

E

F

G

H

I

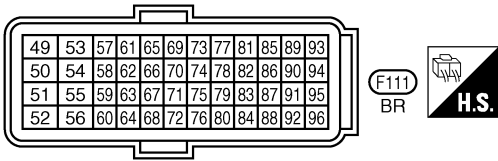
J

K

L

M

21 (F52), (F53), (F54), (F66), (F67), (F68)
GY, GY, GY, GY, GY, GY



REFER TO THE FOLLOWING.

(F102) -SUPER MULTIPLE JUNCTION (SMJ)

(M4) -FUSE BLOCK-JUNCTION BOX (J/B)

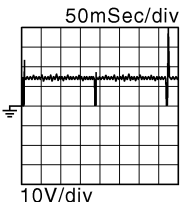
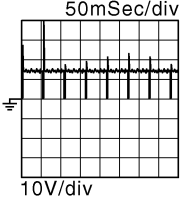
TBWT1678E

FUEL INJECTOR

Specification data are reference values and are measured between each terminal and ground.
Pulse signal is measured by CONSULT-III.

CAUTION:

Do not use ECM ground terminals when measuring input/output voltage. Doing so may result in damage to the ECM's transistor. Use a ground other than ECM terminals, such as the ground.

TERMINAL NO.	WIRE COLOR	ITEM	CONDITION	DATA (DC Voltage)
81	R/B	Fuel injector No. 3	<p>[Engine is running]</p> <ul style="list-style-type: none"> ● Warm-up condition ● Idle speed <p>NOTE: The pulse cycle changes depending on rpm at idle.</p>	<p>BATTERY VOLTAGE (11 - 14V)★</p>  <p>10V/div PBIB3555E</p>
82	L/R	Fuel injector No. 6		
85	BR	Fuel injector No. 2		
86	W/B	Fuel injector No. 5		
89	G/Y	Fuel injector No. 1		
90	Y/R	Fuel injector No. 4		
			<p>[Engine is running]</p> <ul style="list-style-type: none"> ● Warm-up condition ● Engine speed: 2,000 rpm 	<p>BATTERY VOLTAGE (11 - 14V)★</p>  <p>10V/div PBIB3556E</p>

★: Average voltage for pulse signal (Actual pulse signal can be confirmed by oscilloscope.)

Diagnostic Procedure

NBS000HT

1. INSPECTION START

Turn ignition switch to START.

Is any cylinder ignited?

Yes or No

- Yes >> GO TO 2.
No >> GO TO 3.

2. CHECK OVERALL FUNCTION

Ⓟ With CONSULT-III

1. Start engine.
2. Perform "POWER BALANCE" in "ACTIVE TEST" mode with CONSULT-III.
3. Make sure that each circuit produces a momentary engine speed drop.

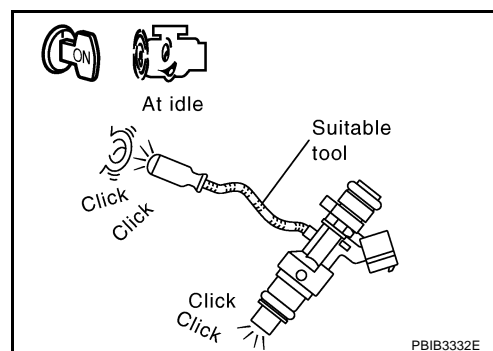
ⓧ Without CONSULT-III

1. Start engine and let it idle.
2. Listen to each fuel injector operating sound.

Clicking sound should be heard.

OK or NG

- OK >> INSPECTION END.
NG >> GO TO 3.

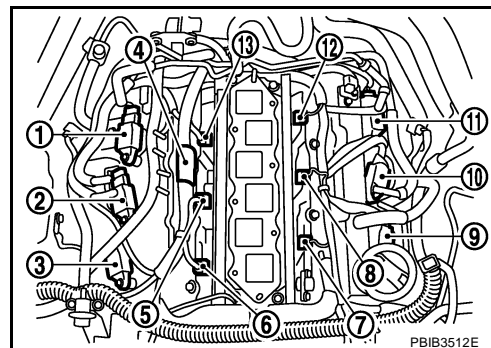


FUEL INJECTOR

3. CHECK FUEL INJECTOR POWER SUPPLY CIRCUIT

1. Turn ignition switch OFF.
2. Disconnect fuel injector harness connector.

- 1 : Ignition coil No.5 (with power transistor)
- 2 : Ignition coil No.3 (with power transistor)
- 3 : Ignition coil No.1 (with power transistor)
- 4 : Condenser
- 5 : Fuel injector No.3
- 6 : Fuel injector No.1
- 7 : Fuel injector No.2
- 8 : Fuel injector No.4
- 9 : Ignition coil No.2 (with power transistor)
- 10 : Ignition coil No.4 (with power transistor)
- 11 : Ignition coil No.6 (with power transistor)
- 12 : Fuel injector No.6
- 13 : Fuel injector No.5

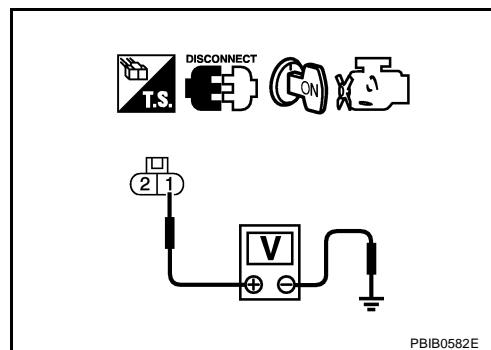


3. Turn ignition switch ON.
4. Check voltage between fuel injector terminal 1 and ground with CONSULT-III or tester.

Voltage: Battery voltage

OK or NG

- OK >> GO TO 5.
- NG >> GO TO 4.



4. DETECT MALFUNCTIONING PART

Check the following.

- Harness connectors M72, F102
- Fuse block (J/B) connector M4
- 10A fuse
- Harness for open or short between fuel injector and fuse

>> Repair open circuit or short to ground or short to power in harness or connectors.

5. CHECK FUEL INJECTOR OUTPUT SIGNAL CIRCUIT FOR OPEN AND SHORT

1. Turn ignition switch OFF.
2. Disconnect ECM harness connector.
3. Check harness continuity between fuel injector terminal 2 and ECM terminals 81, 82, 85, 86, 89, 90. Refer to Wiring Diagram.

Continuity should exist.

4. Also check harness for short to ground and short to power.

OK or NG

- OK >> GO TO 6.
- NG >> Repair open circuit or short to ground or short to power in harness or connectors.

FUEL INJECTOR

6. CHECK FUEL INJECTOR

Refer to [EC-690, "Component Inspection"](#) .

OK or NG

OK >> GO TO 7.

NG >> Replace malfunctioning fuel injector.

7. CHECK INTERMITTENT INCIDENT

Refer to [EC-141, "TROUBLE DIAGNOSIS FOR INTERMITTENT INCIDENT"](#) .

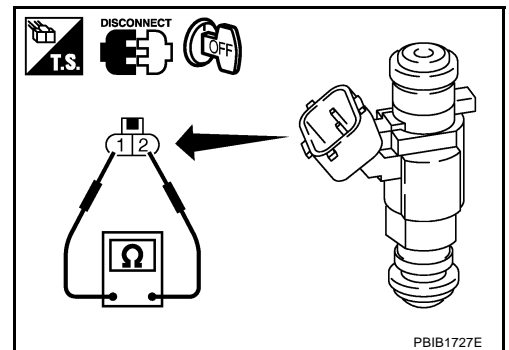
>> INSPECTION END

Component Inspection FUEL INJECTOR

NBS000HU

1. Disconnect fuel injector harness connector.
2. Check resistance between terminals as shown in the figure.

Resistance: 11.1 - 14.3Ω [at 10 - 60°C (50 - 140°F)]



NBS000HV

Removal and Installation FUEL INJECTOR

Refer to [EM-34, "FUEL INJECTOR AND FUEL TUBE"](#) .

FUEL PUMP

FUEL PUMP

PF17042

Description SYSTEM DESCRIPTION

NBS000HW

Sensor	Input Signal to ECM	ECM Function	Actuator
Crankshaft position sensor (POS) Camshaft position sensor (PHASE)	Engine speed*	Fuel pump control	Fuel pump relay
Battery	Battery voltage*		

*: ECM determines the start signal status by the signals of engine speed and battery voltage.

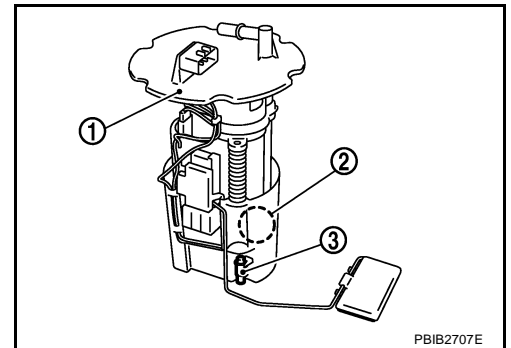
The ECM activates the fuel pump for several seconds after the ignition switch is turned ON to improve engine startability. If the ECM receives a engine speed signal from the camshaft position sensor (PHASE), it knows that the engine is rotating, and causes the pump to operate. If the engine speed signal is not received when the ignition switch is ON, the engine stalls. The ECM stops pump operation and prevents battery discharging, thereby improving safety. The ECM does not directly drive the fuel pump. It controls the ON/OFF fuel pump relay, which in turn controls the fuel pump.

Condition	Fuel pump operation
Ignition switch: ON	Operates for 1 second.
Engine running or cranking	Operates.
Engine: Stopped	Stops in 1.5 seconds.
Except as shown above	Stops.

COMPONENT DESCRIPTION

A turbine type design fuel pump is used in the fuel tank.

- 1 : Fuel level sensor unit and fuel pump
- 2 : Fuel pressure regulator
- 3 : Fuel tank temperature sensor



CONSULT-III Reference Value in Data Monitor Mode

NBS000HX

Specification data are reference values.

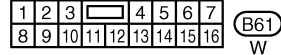
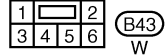
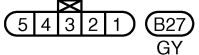
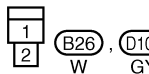
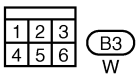
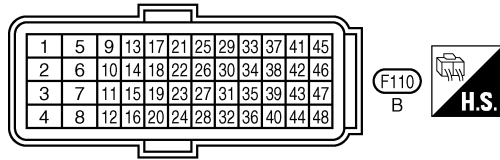
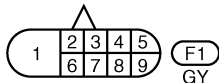
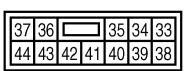
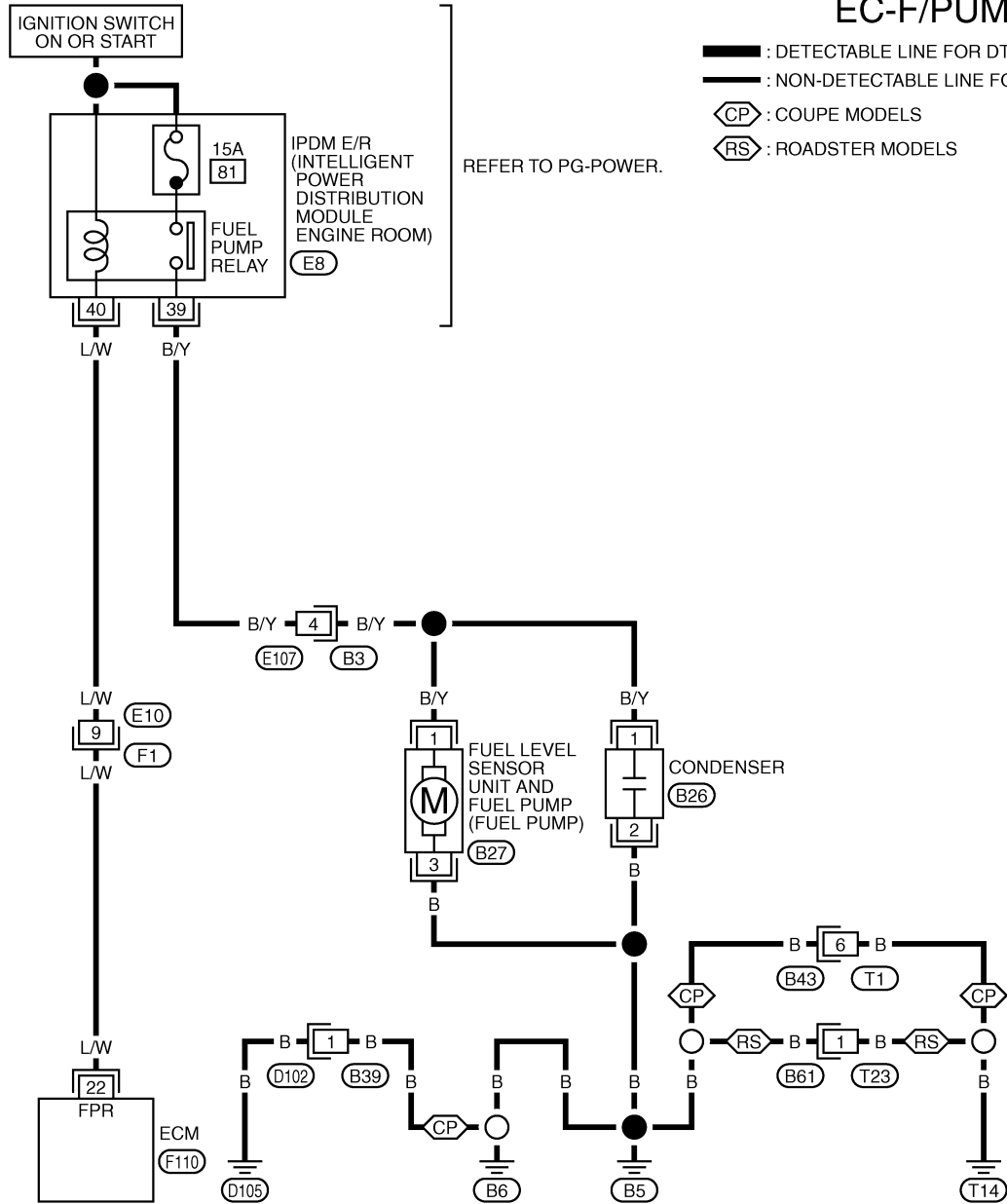
MONITOR ITEM	CONDITION	SPECIFICATION
FUEL PUMP RLY	<ul style="list-style-type: none"> ● For 1 second after turning ignition switch ON ● Engine running or cranking 	ON
	<ul style="list-style-type: none"> ● Except above conditions 	OFF

FUEL PUMP

Wiring Diagram

NBS000HY

EC-F/PUMP-01



TBWT1679E

FUEL PUMP

Specification data are reference values and are measured between each terminal and ground.

CAUTION:

Do not use ECM ground terminals when measuring input/output voltage. Doing so may result in damage to the ECM's transistor. Use a ground other than ECM terminals, such as the ground.

TER-MINAL NO.	WIRE COLOR	ITEM	CONDITION	DATA (DC Voltage)
22	L/W	Fuel pump relay	[Ignition switch: ON] ● For 1 second after turning ignition switch ON	0 - 1.5V
			[Engine is running] [Ignition switch: ON] ● More than 1 second after turning ignition switch ON.	BATTERY VOLTAGE (11 - 14V)

Diagnostic Procedure

NBS000HZ

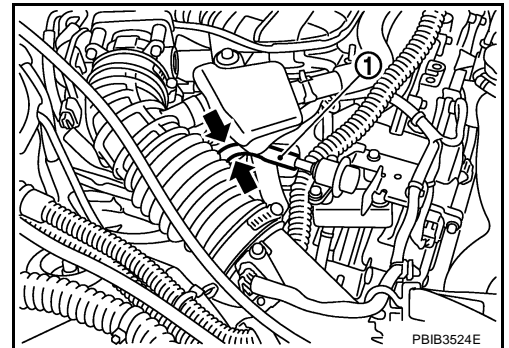
1. CHECK OVERALL FUNCTION

1. Turn ignition switch ON.
2. Pinch fuel feed hose (1) with two fingers.

Fuel pressure pulsation should be felt on the fuel feed hose for 1 second after ignition switch is turned ON.

OK or NG

- OK >> **INSPECTION END**
 NG >> GO TO 2.



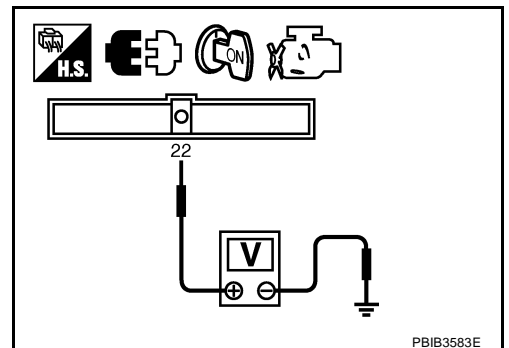
2. CHECK FUEL PUMP POWER SUPPLY CIRCUIT-I

1. Turn ignition switch OFF.
2. Disconnect ECM harness connector.
3. Turn ignition switch ON.
4. Check voltage between ECM terminal 22 and ground with CONSULT-III or tester.

Voltage: Battery voltage

OK or NG

- OK >> GO TO 5.
 NG >> GO TO 3.



FUEL PUMP

3. CHECK FUEL PUMP POWER SUPPLY CIRCUIT-I

1. Disconnect IPDM E/R harness connector E8.
2. Check harness continuity between IPDM E/R terminal 40 and ECM terminal 22.
Refer to Wiring Diagram.

Continuity should exist.

3. Also check harness for short to ground and short to power.

OK or NG

- OK >> GO TO 4.
NG >> GO TO 15.

4. DETECT MALFUNCTIONING PART

Check the following.

- Harness connectors E10, F1
- Harness for open or short between IPDM E/R and ECM

>> Repair open circuit or short to ground or short to power in harness or connectors.

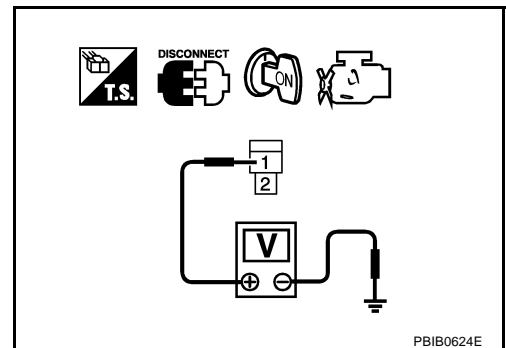
5. CHECK CONDENSER POWER SUPPLY CIRCUIT-I

1. Turn ignition switch OFF.
2. Reconnect all harness connectors disconnected.
3. Disconnect condenser harness connector.
4. Turn ignition switch ON.
5. Check voltage between condenser terminal 1 and ground with CONSULT-III or tester.

Voltage: Battery voltage should exist for 1 second after ignition switch is turned ON.

OK or NG

- OK >> GO TO 9.
NG >> GO TO 6.



6. CHECK 15A FUSE

1. Turn ignition switch OFF.
2. Disconnect 15A fuse.
3. Check 15A fuse.

OK or NG

- OK >> GO TO 7.
NG >> Replace fuse.

FUEL PUMP

7. CHECK CONDENSER POWER SUPPLY CIRCUIT-II

1. Disconnect IPDM E/R harness connector E8.
2. Check harness continuity between IPDM E/R terminal 39 and condenser terminal 1.
Refer to Wiring Diagram.

Continuity should exist.

3. Also check harness for short to ground and short to power.

OK or NG

- OK >> GO TO 15.
NG >> GO TO 8.

8. DETECT MALFUNCTIONING PART

Check the following.

- Harness connectors E107, B3
- Harness for open or short between IPDM E/R and condenser

>> Repair open circuit or short to ground or short to power in harness or connectors.

9. CHECK CONDENSER GROUND CIRCUIT

1. Turn ignition switch OFF.
2. Check harness continuity between condenser terminal 2 and ground.
Refer to Wiring Diagram.

Continuity should exist.

3. Also check harness for short to power.

OK or NG

- OK >> GO TO 11.
NG >> GO TO 10

10. DETECT MALFUNCTIONING PART

Check the following.

- Harness connectors B43, T1 (Coupe models)
- Harness connectors B39, D102 (Coupe models)
- Harness connectors B61, T23 (Roadster models)
- Harness for open or short between condenser and ground

>> Repair open circuit or short to power in harness or connectors.

11. CHECK CONDENSER

Refer to [EC-697, "Component Inspection"](#) .

OK or NG

- OK >> GO TO 12.
NG >> Replace condenser.

A

EC

C

D

E

F

G

H

I

J

K

L

M

FUEL PUMP

12. CHECK FUEL PUMP POWER SUPPLY AND GROUND CIRCUIT FOR OPEN AND SHORT

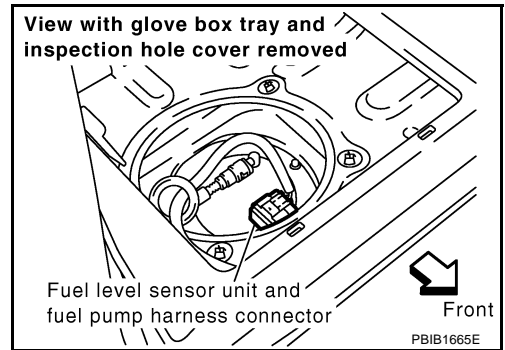
1. Disconnect "fuel level sensor unit and fuel pump" harness connector.
2. Disconnect harness connectors E107, B3.
3. Check harness continuity between the following;
"fuel level sensor unit and fuel pump" terminal 1 and harness connector B3 terminal 4,
"fuel level sensor unit and fuel pump" terminal 3 and ground.
Refer to Wiring Diagram.

Continuity should exist.

4. Also check harness for short to ground and short to power.

OK or NG

- OK >> GO TO 14.
NG >> GO TO 13.



13. DETECT MALFUNCTIONING PART

Check the following.

- Harness connector B3
- Harness connectors B43, T1 (Coupe models)
- Harness connectors B39, D102 (Coupe models)
- Harness connectors B61, T23 (Roadster models)
- Harness for open or short between "fuel level sensor unit and fuel pump" and harness connector B3
- Harness for open or short between "fuel level sensor unit and fuel pump" and ground

>> Repair open circuit or short to ground or short to power in harness or connectors.

14. CHECK FUEL PUMP

Refer to [EC-697, "Component Inspection"](#) .

OK or NG

- OK >> GO TO 15.
NG >> Replace "fuel level sensor unit and fuel pump".

15. CHECK INTERMITTENT INCIDENT

Refer to [EC-141, "TROUBLE DIAGNOSIS FOR INTERMITTENT INCIDENT"](#) .

OK or NG

- OK >> Replace IPDM E/R.
NG >> Repair or replace harness or connectors.

FUEL PUMP

Component Inspection

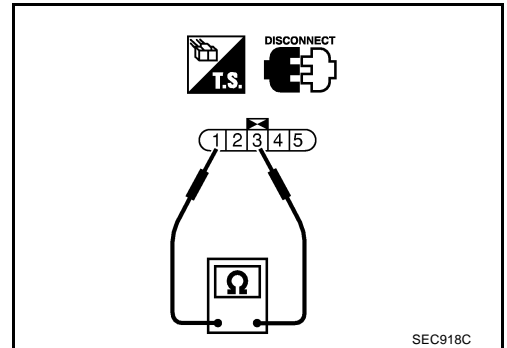
FUEL PUMP

NBS00010

A

1. Disconnect "fuel level sensor unit and fuel pump" harness connector.
2. Check resistance between "fuel level sensor unit and fuel pump" terminals 1 and 3.

Resistance: 0.2 - 5.0Ω [at 25°C (77°F)]



EC

C

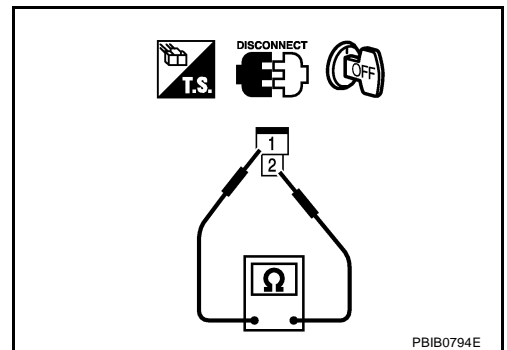
D

E

CONDENSER

1. Disconnect condenser harness connector.
2. Check resistance between condenser terminals 1 and 2.

Resistance: Above 1 MΩ [at 25°C (77°F)]



F

G

H

I

Removal and Installation

FUEL PUMP

NBS00011

Refer to [FL-4, "FUEL LEVEL SENSOR UNIT, FUEL FILTER AND FUEL PUMP ASSEMBLY"](#) .

J

K

L

M

IGNITION SIGNAL

IGNITION SIGNAL

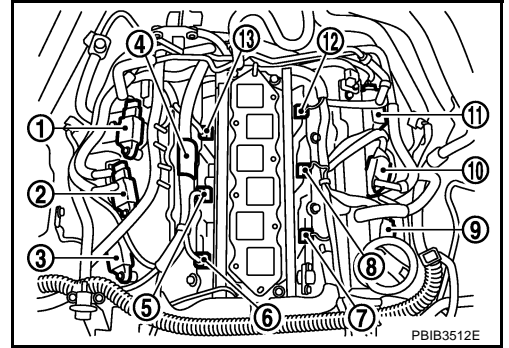
PFP:22448

Component Description IGNITION COIL & POWER TRANSISTOR

NBS000HL

The ignition signal from the ECM is sent to and amplified by the power transistor. The power transistor turns ON and OFF the ignition coil primary circuit. This ON/OFF operation induces the proper high voltage in the coil secondary circuit.

- 1 : Ignition coil No.5 (with power transistor)
- 2 : Ignition coil No.3 (with power transistor)
- 3 : Ignition coil No.1 (with power transistor)
- 4 : Condenser
- 5 : Fuel injector No.3
- 6 : Fuel injector No.1
- 7 : Fuel injector No.2
- 8 : Fuel injector No.4
- 9 : Ignition coil No.2 (with power transistor)
- 10 : Ignition coil No.4 (with power transistor)
- 11 : Ignition coil No.6 (with power transistor)
- 12 : Fuel injector No.6
- 13 : Fuel injector No.5



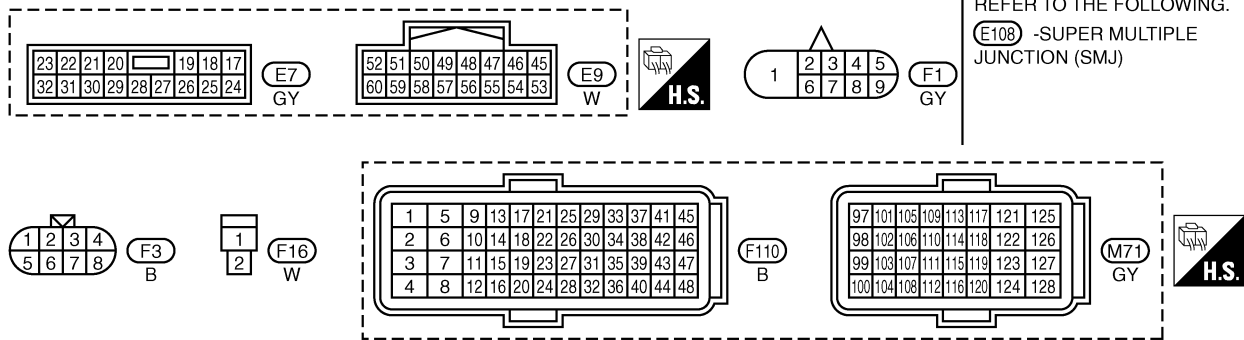
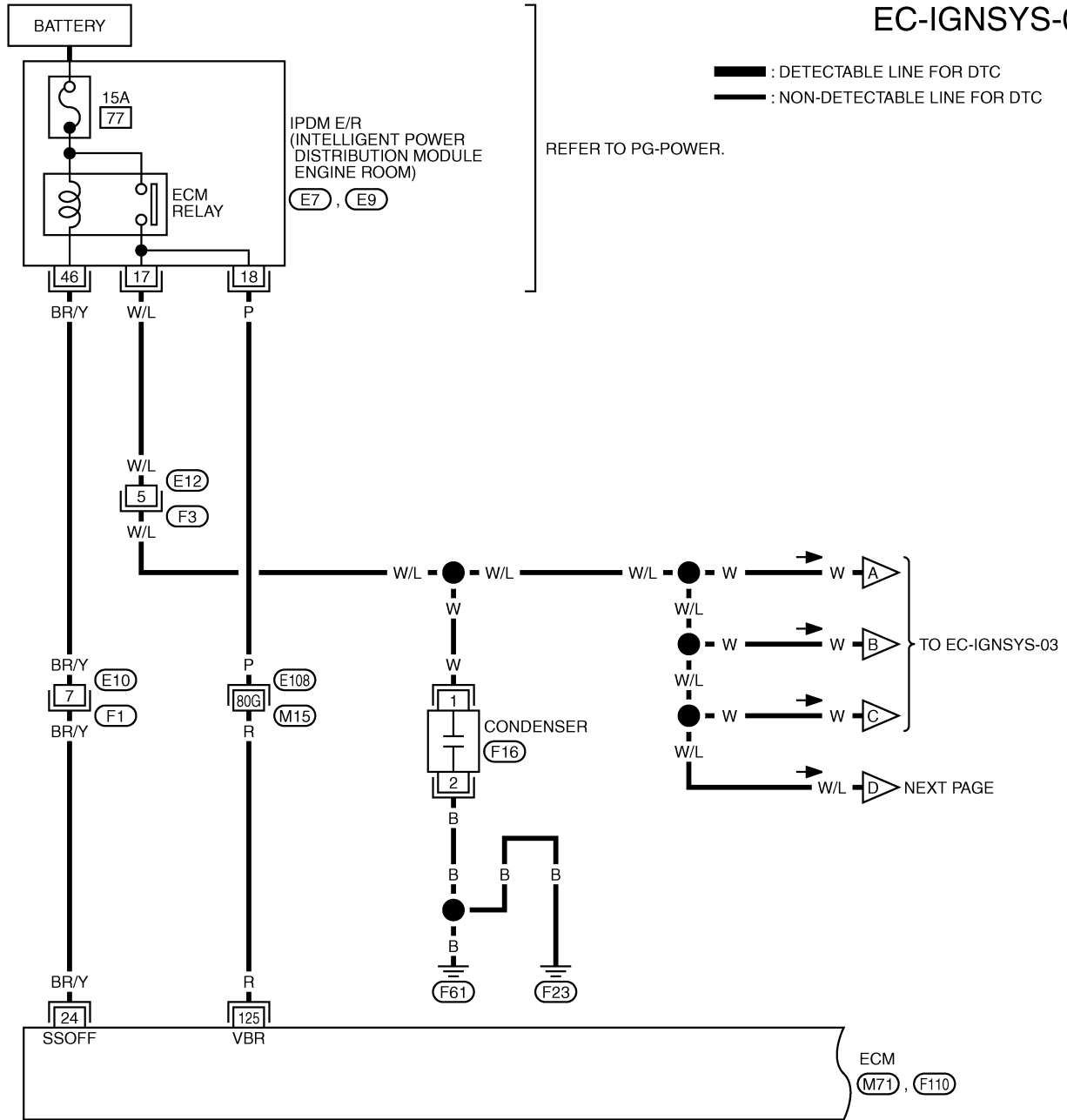
IGNITION SIGNAL

Wiring Diagram

NBS000HM

EC-IGNSYS-01

A
EC
C
D
E
F
G
H
I
J
K
L
M



TBWT1680E

IGNITION SIGNAL

Specification data are reference values and are measured between each terminal and ground.

CAUTION:

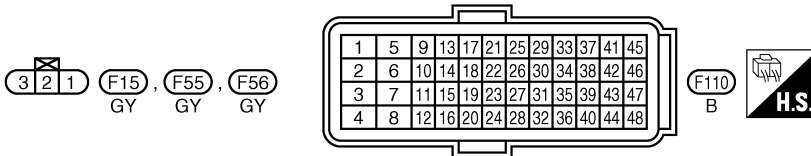
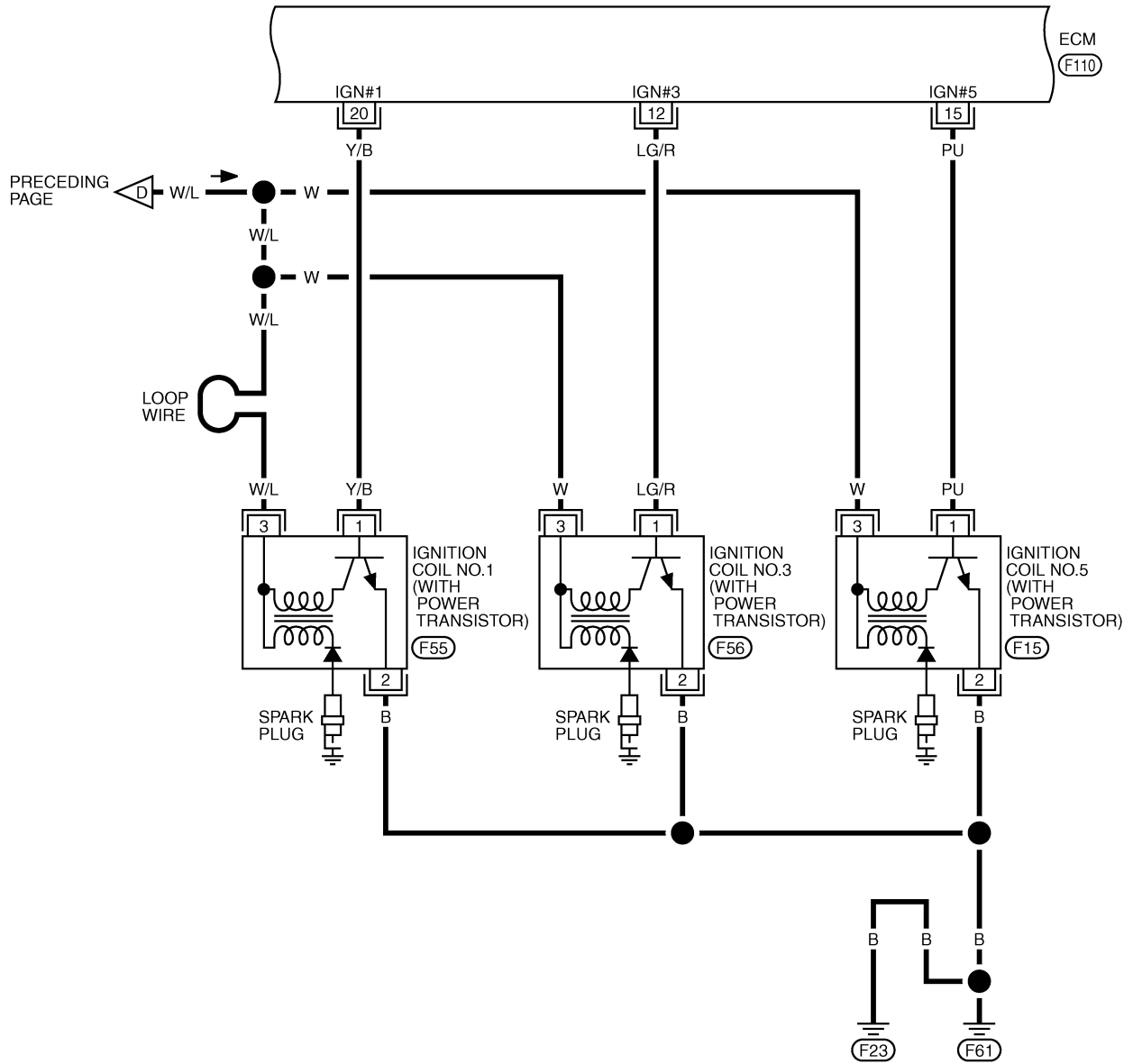
Do not use ECM ground terminals when measuring input/output voltage. Doing so may result in damage to the ECM's transistor. Use a ground other than ECM terminals, such as the ground.

TER-MINAL NO.	WIRE COLOR	ITEM	CONDITION	DATA (DC Voltage)
24	BR/Y	ECM relay (Self shut-off)	[Engine is running] [Ignition switch: OFF] <ul style="list-style-type: none">● For a few seconds after turning ignition switch OFF	0 - 1.5V
			[Ignition switch: OFF] <ul style="list-style-type: none">● More than a few seconds after turning ignition switch OFF	BATTERY VOLTAGE (11 - 14V)
125	R	Power supply for ECM	[Ignition switch: ON]	BATTERY VOLTAGE (11 - 14V)

IGNITION SIGNAL

EC-IGNSYS-02

: DETECTABLE LINE FOR DTC
 : NON-DETECTABLE LINE FOR DTC



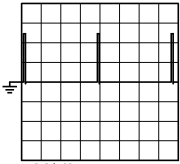
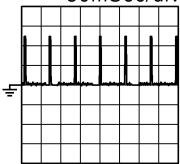
TBWT1681E

IGNITION SIGNAL

Specification data are reference values and are measured between each terminal and ground.
Pulse signal is measured by CONSULT-III.

CAUTION:



Do not use ECM ground terminals when measuring input/output voltage. Doing so may result in damage to the ECM's transistor. Use a ground other than ECM terminals, such as the ground.

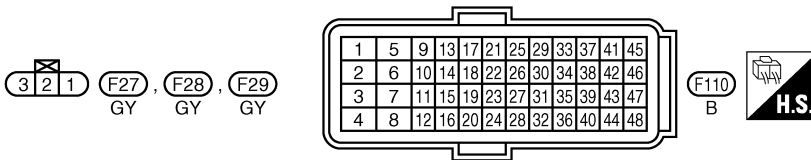
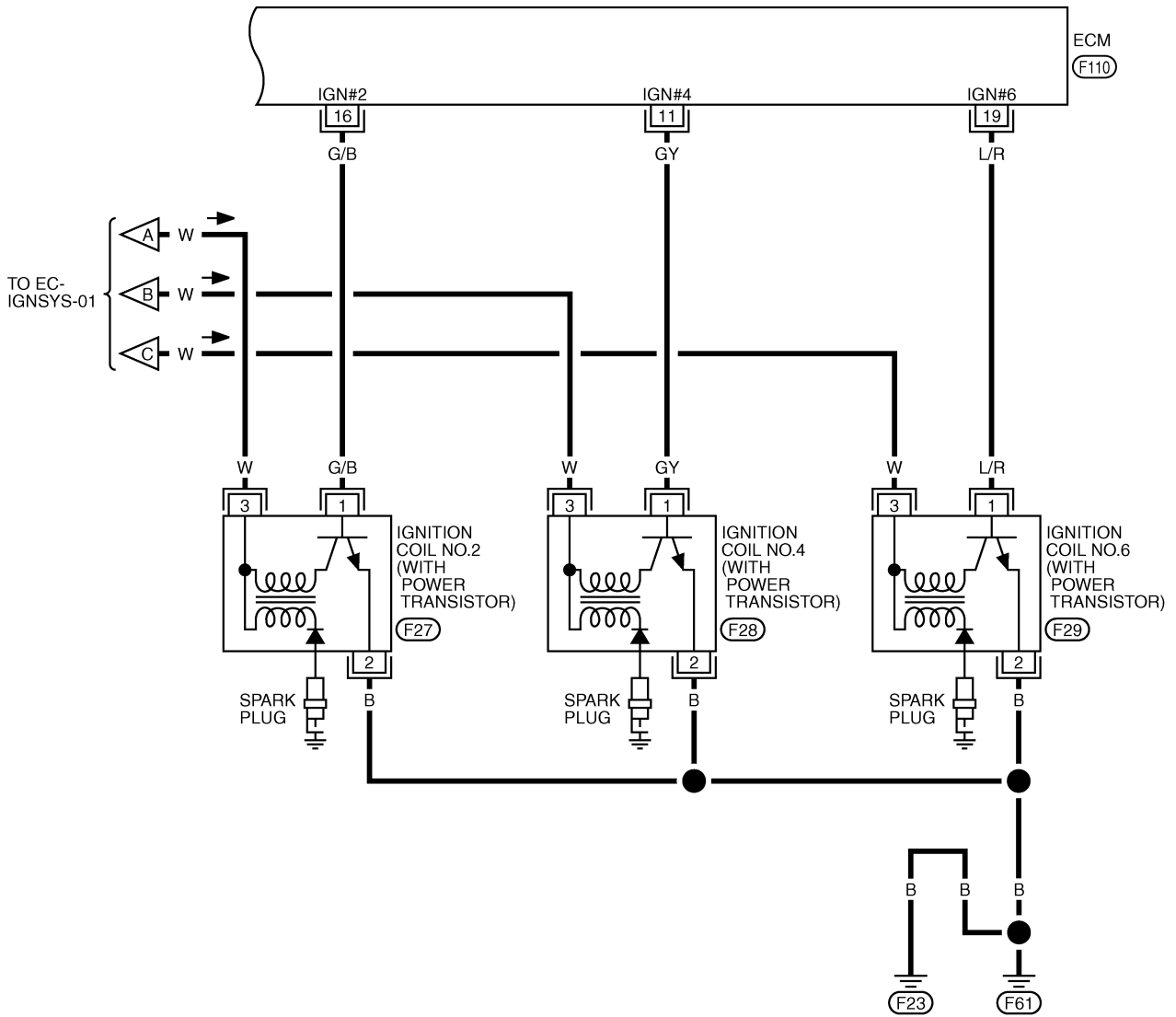
TER-MINAL NO.	WIRE COLOR	ITEM	CONDITION	DATA (DC Voltage)
12 15 20	LG/R PU Y/B	Ignition signal No. 3 Ignition signal No. 5 Ignition signal No. 1	<p>[Engine is running]</p> <ul style="list-style-type: none"> ● Warm-up condition ● Idle speed <p>NOTE: The pulse cycle changes depending on rpm at idle.</p>	<p>0 - 0.2V★</p> <div style="text-align: center;">50mSec/div</div>  <p style="text-align: right; font-size: small;">PBIB3543E</p>
			<p>[Engine is running]</p> <ul style="list-style-type: none"> ● Warm-up condition ● Engine speed: 2,000 rpm 	<p>0.1 - 0.4V★</p> <div style="text-align: center;">50mSec/div</div>  <p style="text-align: right; font-size: small;">PBIB3544E</p>

★: Average voltage for pulse signal (Actual pulse signal can be confirmed by oscilloscope.)

IGNITION SIGNAL

EC-IGNSYS-03

 : DETECTABLE LINE FOR DTC
 : NON-DETECTABLE LINE FOR DTC



TBWT1682E

IGNITION SIGNAL

Specification data are reference values and are measured between each terminal and ground.
Pulse signal is measured by CONSULT-III.

CAUTION:

Do not use ECM ground terminals when measuring input/output voltage. Doing so may result in damage to the ECM's transistor. Use a ground other than ECM terminals, such as the ground.

TER-MINAL NO.	WIRE COLOR	ITEM	CONDITION	DATA (DC Voltage)
11 16 19	GY G/B L/R	Ignition signal No. 4 Ignition signal No. 2 Ignition signal No. 6	<p>[Engine is running]</p> <ul style="list-style-type: none"> ● Warm-up condition ● Idle speed <p>NOTE: The pulse cycle changes depending on rpm at idle.</p>	<p>0 - 0.2V★</p> <p>2V/div 50mSec/div</p> <p>PBIB3543E</p>
			<p>[Engine is running]</p> <ul style="list-style-type: none"> ● Warm-up condition ● Engine speed: 2,000 rpm 	<p>0.1 - 0.4V★</p> <p>2V/div 50mSec/div</p> <p>PBIB3544E</p>

★: Average voltage for pulse signal (Actual pulse signal can be confirmed by oscilloscope.)

Diagnostic Procedure

NBS000HN

1. CHECK ENGINE START

Turn ignition switch OFF and restart engine.

Is engine running?

Yes or No

- Yes (With CONSULT-III)>>GO TO 2.
- Yes (Without CONSULT-III)>>GO TO 3.
- No >> GO TO 4.

2. CHECK OVERALL FUNCTION

Ⓜ **With CONSULT-III**

1. Perform "POWER BALANCE" in "ACTIVE TEST" mode with CONSULT-III.
2. Make sure that each circuit produces a momentary engine speed drop.

OK or NG

- OK >> **INSPECTION END**
- NG >> GO TO 10.

IGNITION SIGNAL

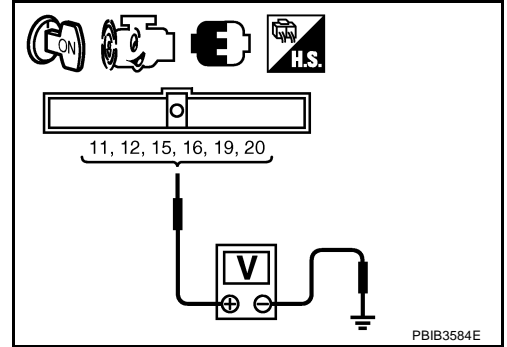
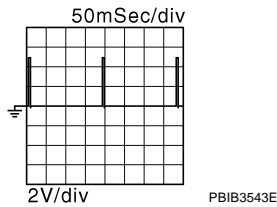
3. CHECK OVERALL FUNCTION

⊗ Without CONSULT-III

1. Let engine idle.
2. Read the voltage signal between ECM terminals 11, 12, 15, 16, 19, 20 and ground with an oscilloscope.
3. Verify that the oscilloscope screen shows the signal wave as shown below.

NOTE:

The pulse cycle changes depending on rpm at idle.



OK or NG

- OK >> **INSPECTION END**
NG >> GO TO 10.

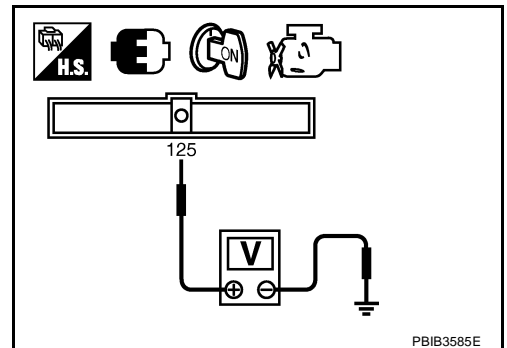
4. CHECK IGNITION COIL POWER SUPPLY CIRCUIT-I

1. Turn ignition switch OFF, wait at least 10 seconds and then turn ON.
2. Check voltage between ECM terminals 125 and ground with CONSULT-III or tester.

Voltage: Battery voltage

OK or NG

- OK >> GO TO 5.
NG >> Go to [EC-142, "POWER SUPPLY AND GROUND CIRCUIT"](#).

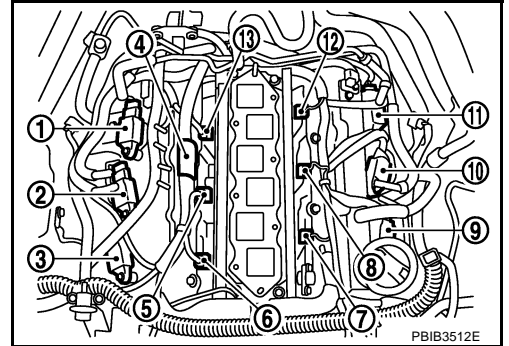


IGNITION SIGNAL

5. CHECK IGNITION COIL POWER SUPPLY CIRCUIT-II

1. Turn ignition switch OFF.
2. Disconnect condenser harness connector.

- 1 : Ignition coil No.5 (with power transistor)
- 2 : Ignition col No.3 (with power transistor)
- 3 : Ignition coil No.1 (with power transistor)
- 4 : Condenser
- 5 : Fuel injector No.3
- 6 : Fuel injector No.1
- 7 : Fuel injector No.2
- 8 : Fuel injector No.4
- 9 : Ignition coil No.2 (with power transistor)
- 10 : Ignition coil No.4 (with power transistor)
- 11 : Ignition coil No.6 (with power transistor)
- 12 : Fuel injector No.6
- 13 : Fuel injector No.5

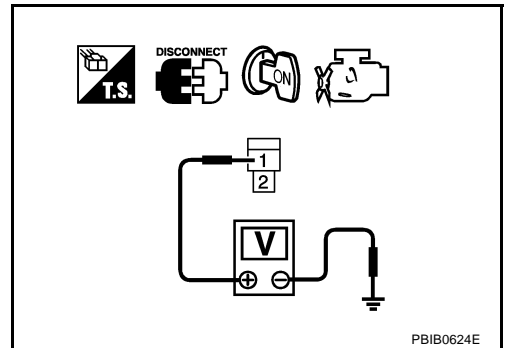


3. Turn ignition switch ON.
4. Check voltage between condenser terminal 1 and ground with CONSULT-III or tester.

Voltage: Battery voltage

OK or NG

- OK >> GO TO 8.
- NG >> GO TO 6.



6. CHECK IGNITION COIL POWER SUPPLY CIRCUIT-III

1. Turn ignition switch OFF.
2. Disconnect IPDM E/R harness connector E7.
3. Check harness continuity between IPDM E/R terminal 17 and condenser terminal 1. Refer to Wiring Diagram.

Continuity should exist.

4. Also check harness for short to ground and short to power.

OK or NG

- OK >> GO TO 14.
- NG >> GO TO 7.

7. DETECT MALFUNCTIONING PART

Check the following.

- Harness connectors E12, F3
- Harness for open or short between IPDM E/R and condenser

>> Repair open circuit or short to ground or short to power in harness or connectors.

IGNITION SIGNAL

8. CHECK CONDENSER GROUND CIRCUIT FOR OPEN AND SHORT

1. Turn ignition switch OFF.
2. Check harness continuity between condenser terminal 2 and ground.
Refer to Wiring Diagram.

Continuity should exist.

3. Also check harness for short to power.

OK or NG

OK >> GO TO 9.

NG >> Repair open circuit or short to power in harness or connectors.

9. CHECK CONDENSER

Refer to [EC-708, "Component Inspection"](#) .

OK or NG

OK >> GO TO 10.

NG >> Replace condenser.

10. CHECK IGNITION COIL POWER SUPPLY CIRCUIT-IV

1. Turn ignition switch OFF.
2. Reconnect all harness connectors disconnected.
3. Disconnect ignition coil harness connector.

- 1 : Ignition coil No.5 (with power transistor)
- 2 : Ignition coil No.3 (with power transistor)
- 3 : Ignition coil No.1 (with power transistor)
- 4 : Condenser
- 5 : Fuel injector No.3
- 6 : Fuel injector No.1
- 7 : Fuel injector No.2
- 8 : Fuel injector No.4
- 9 : Ignition coil No.2 (with power transistor)
- 10 : Ignition coil No.4 (with power transistor)
- 11 : Ignition coil No.6 (with power transistor)
- 12 : Fuel injector No.6
- 13 : Fuel injector No.5

4. Turn ignition switch ON.

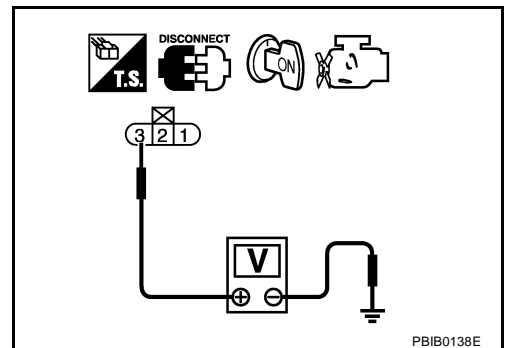
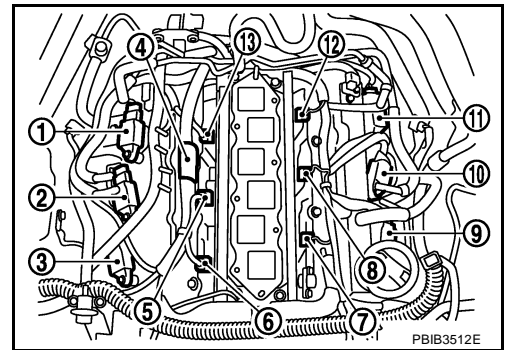
5. Check voltage between ignition coil terminal 3 and ground with CONSULT-III or tester.

Voltage: Battery voltage

OK or NG

OK >> GO TO 11.

NG >> Repair open circuit or short to ground or short to power in harness or connectors.



IGNITION SIGNAL

11. CHECK IGNITION COIL GROUND CIRCUIT FOR OPEN AND SHORT

1. Turn ignition switch OFF.
2. Check harness continuity between ignition coil terminal 2 and ground.
Refer to Wiring Diagram.

Continuity should exist.

3. Also check harness for short to power.

OK or NG

OK >> GO TO 12.

NG >> Repair open circuit or short to power in harness or connectors.

12. CHECK IGNITION COIL OUTPUT SIGNAL CIRCUIT FOR OPEN AND SHORT

1. Disconnect ECM harness connector.
2. Check harness continuity between ECM terminals 11, 12, 15, 16, 19, 20 and ignition coil terminal 1.
Refer to Wiring Diagram.

Continuity should exist.

3. Also check harness for short to ground and short to power.

OK or NG

OK >> GO TO 13.

NG >> Repair open circuit or short to ground or short to power in harness or connectors.

13. CHECK IGNITION COIL WITH POWER TRANSISTOR

Refer to [EC-708, "Component Inspection"](#) .

OK or NG

OK >> GO TO 14.

NG >> Replace malfunctioning ignition coil with power transistor.

14. CHECK INTERMITTENT INCIDENT

Refer to [EC-141, "TROUBLE DIAGNOSIS FOR INTERMITTENT INCIDENT"](#) .

OK or NG

OK >> Replace IPDM E/R.

NG >> Repair open circuit or short to ground or short to power in harness connectors.

Component Inspection IGNITION COIL WITH POWER TRANSISTOR

NBS000HO

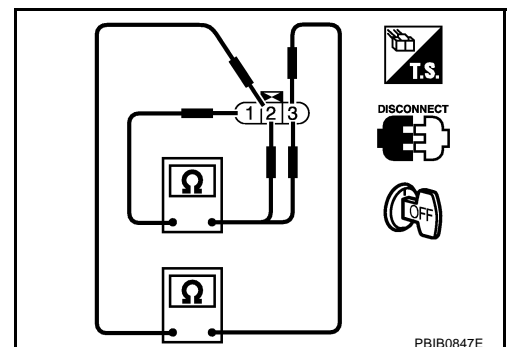
CAUTION:

Do the following procedure in the place where ventilation is good without the combustible.

1. Turn ignition switch OFF.
2. Disconnect ignition coil harness connector.
3. Check resistance between ignition coil terminals as follows.

Terminal No. (Polarity)	Resistance Ω [at 25°C (77°F)]
1 and 2	Except 0 or ∞
1 and 3	Except 0
2 and 3	

4. If NG, Replace ignition coil with power transistor.
If OK, go to next step.
5. Turn ignition switch OFF.
6. Reconnect all harness connectors disconnected.



IGNITION SIGNAL

- Remove fuel pump fuse in IPDM E/R to release fuel pressure.

NOTE:

Do not use CONSULT-III to release fuel pressure, or fuel pressure applies again during the following procedure.

- Start engine.
- After engine stalls, crank it two or three times to release all fuel pressure.
- Turn ignition switch OFF.
- Remove ignition coil harness connectors to avoid the electrical discharge from the ignition coils.
- Remove ignition coil and spark plug of the cylinder to be checked.
- Crank engine for 5 seconds or more to remove combustion gas in the cylinder.
- Connect spark plug and harness connector to ignition coil.
- Fix ignition coil using a rope etc. with gap of 13 - 17 mm between the edge of the spark plug and grounded metal portion as shown in the figure.
- Crank engine for about 3 seconds, and check whether spark is generated between the spark plug and the grounded part.

Spark should be generated.

CAUTION:

- Do not approach to the spark plug and the ignition coil within 50cm. Be careful not to get an electrical shock while checking, because the electrical discharge voltage becomes 20kV or more.
- It might cause to damage the ignition coil if the gap of 17 mm or more is taken.

NOTE:

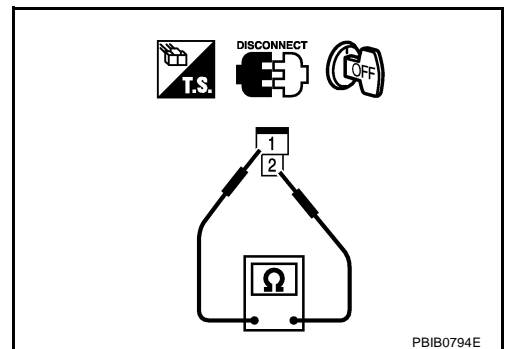
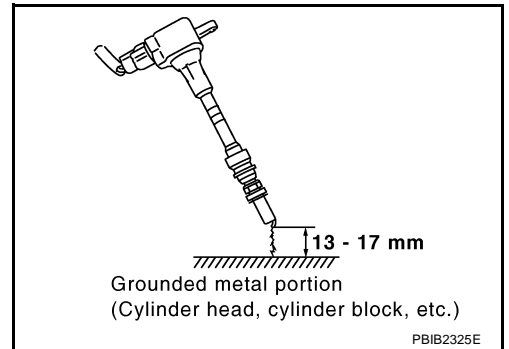
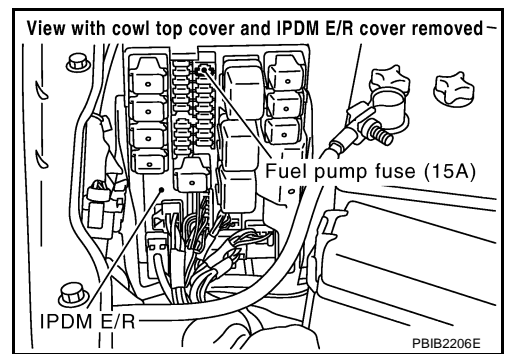
When the gap is less than 13 mm, the spark might be generated even if the coil is malfunctioning.

- If NG, Replace ignition coil with power transistor.

CONDENSER

- Turn ignition switch OFF.
- Disconnect condenser harness connector.
- Check resistance between condenser terminals 1 and 2.

Resistance: Above 1 MΩ [at 25°C (77°F)]



Removal and Installation IGNITION COIL WITH POWER TRANSISTOR

Refer to [EM-31, "IGNITION COIL"](#) .

REFRIGERANT PRESSURE SENSOR

PFP:92136

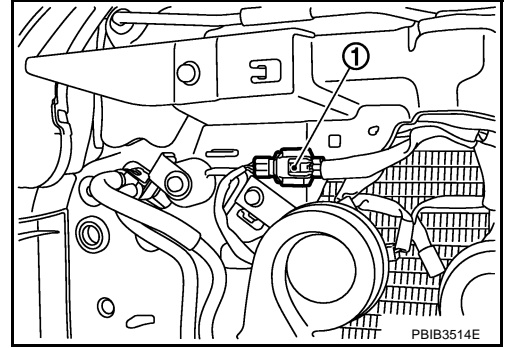
REFRIGERANT PRESSURE SENSOR

Component Description

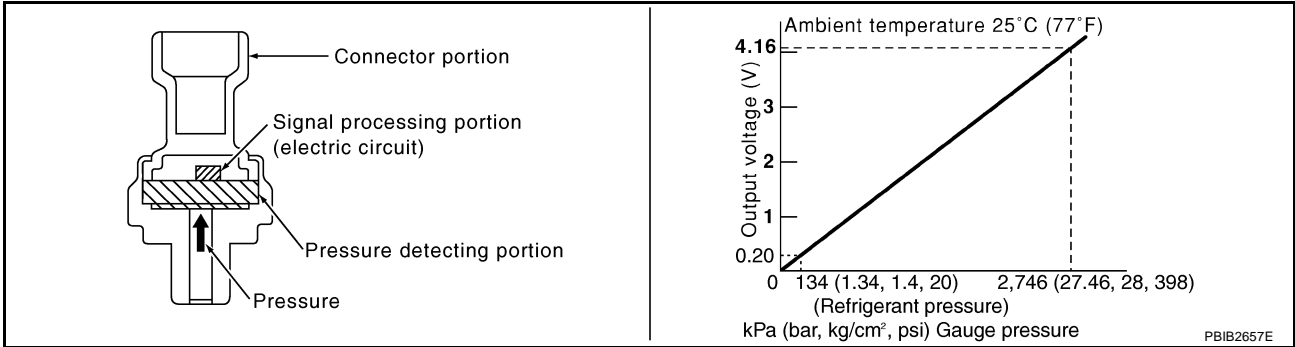
NBS00012

The refrigerant pressure sensor is installed at the condenser of the air conditioner system. The sensor uses an electrostatic volume pressure transducer to convert refrigerant pressure to voltage. The voltage signal is sent to ECM, and ECM controls cooling fan system.

1 : Refrigerant pressure sensor harness connector



PBIB3514E



PBIB2657E

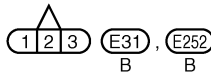
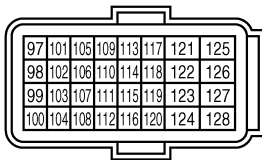
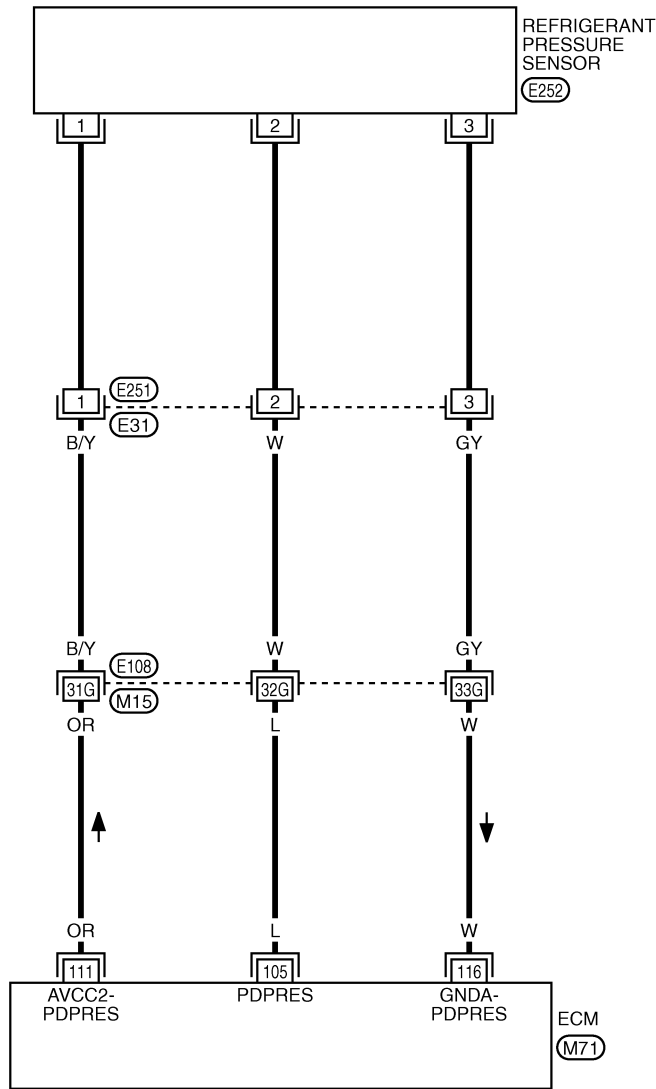
REFRIGERANT PRESSURE SENSOR

Wiring Diagram

NBS00013

EC-RP/SEN-01

— : DETECTABLE LINE FOR DTC
 — : NON-DETECTABLE LINE FOR DTC



REFER TO THE FOLLOWING.
 E108 -SUPER MULTIPLE JUNCTION (SMJ)

TBWT1683E

REFRIGERANT PRESSURE SENSOR

Specification data are reference values and are measured between each terminal and ground.

CAUTION:

Do not use ECM ground terminals when measuring input/output voltage. Doing so may result in damage to the ECM's transistor. Use a ground other than ECM terminals, such as the ground.

TER-MINAL NO.	WIRE COLOR	ITEM	CONDITION	DATA (DC Voltage)
105	L	Refrigerant pressure sensor	[Engine is running] <ul style="list-style-type: none"> ● Warm-up condition ● Both A/C switch and blower switch: ON (Compressor operates.) 	1.0 - 4.0V
111	OR	Sensor power supply (Refrigerant pressure sensor)	[Ignition switch: ON]	5V
116	W	Sensor ground (Refrigerant pressure sensor)	[Engine is running] <ul style="list-style-type: none"> ● Warm-up condition ● Idle speed 	0V

Diagnostic Procedure

NBS00014

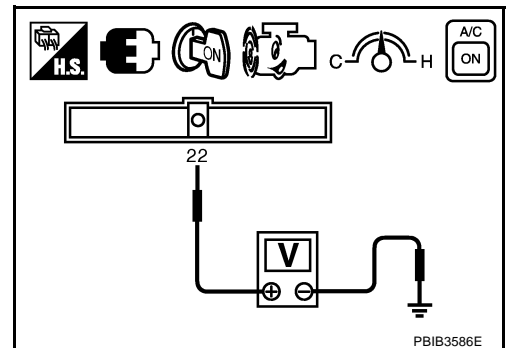
1. CHECK REFRIGERANT PRESSURE SENSOR OVERALL FUNCTION

1. Start engine and warm it up to normal operating temperature.
2. Turn A/C switch and blower fan switch ON.
3. Check voltage between ECM terminal 105 and ground with CONSULT-III or tester.

Voltage: 1.0 - 4.0V

OK or NG

- OK >> **INSPECTION END**
 NG >> GO TO 2.



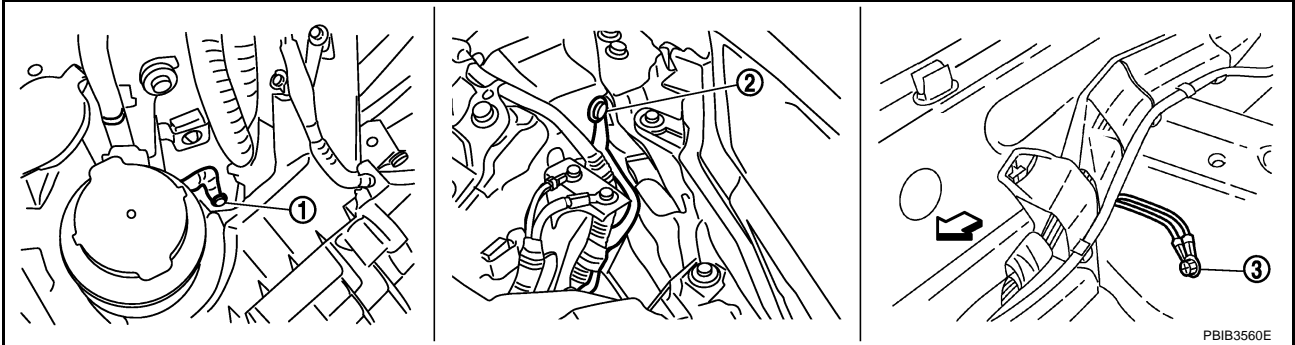
PBIB3586E

REFRIGERANT PRESSURE SENSOR

2. CHECK GROUND CONNECTIONS

Models with VDC system, navigation system or telephone

1. Turn A/C switch and blower fan switch OFF.
2. Stop engine.
3. Turn ignition switch OFF.
4. Loosen and retighten ground screws on the body. Refer to [EC-150, "Ground Inspection"](#) .



1. Body ground E17

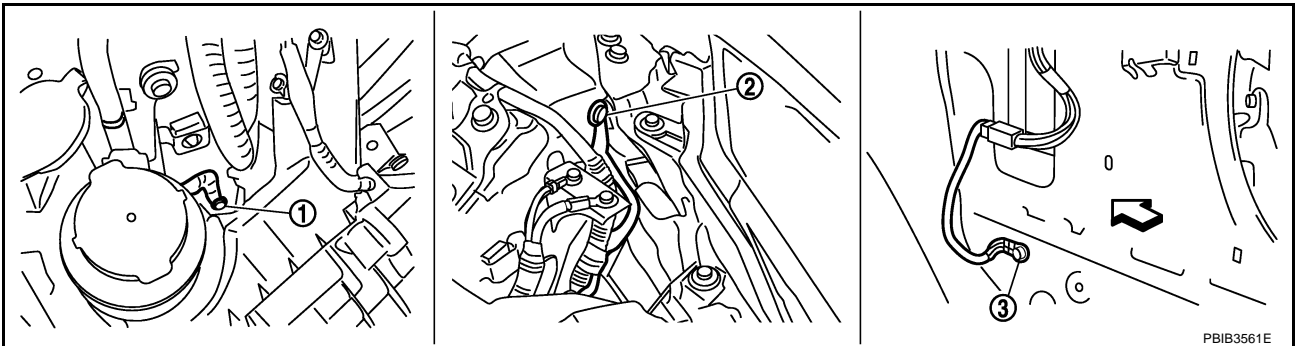
2. Body ground E43

3. Body ground B102

← Vehicle front

Models without VDC system, navigation system and telephone

1. Turn A/C switch and blower fan switch OFF.
2. Stop engine.
3. Turn ignition switch OFF.
4. Loosen and retighten ground screws on the body. Refer to [EC-150, "Ground Inspection"](#) .



1. Body ground E17

2. Body ground E43

3. Body ground F152
(Passenger side view with dash side
finisher removed)

← Vehicle front

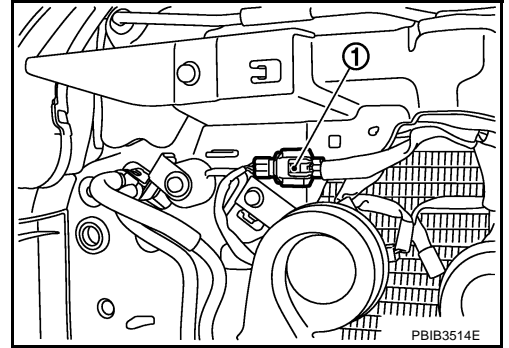
OK or NG

- OK >> GO TO 3.
NG >> Repair or replace ground connections.

REFRIGERANT PRESSURE SENSOR

3. CHECK REFRIGERANT PRESSURE SENSOR POWER SUPPLY CIRCUIT

1. Disconnect refrigerant pressure sensor harness connector (1).
2. Turn ignition switch ON.

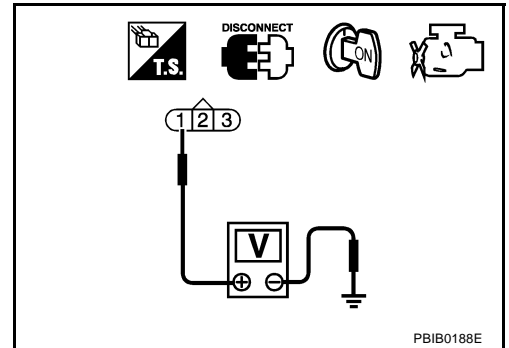


3. Check voltage between refrigerant pressure sensor terminal 1 and ground with CONSULT-III or tester.

Voltage: Approximately 5V

OK or NG

- OK >> GO TO 5.
- NG >> GO TO 4.



4. DETECT MALFUNCTIONING PART

Check the following.

- Harness connectors E251, E31
- Harness for open or short between ECM and refrigerant pressure sensor

>> Repair open circuit or short to ground or short to power in harness or connectors.

5. CHECK REFRIGERANT PRESSURE SENSOR GROUND CIRCUIT FOR OPEN AND SHORT

1. Turn ignition switch OFF.
2. Disconnect ECM harness connector.
3. Check harness continuity between refrigerant pressure sensor terminal 3 and ECM terminal 116. Refer to Wiring Diagram.

Continuity should exist.

4. Also check harness for short to ground and short to power.

OK or NG

- OK >> GO TO 7.
- NG >> GO TO 6.

6. DETECT MALFUNCTIONING PART

Check the following.

- Harness connectors E251, E31
- Harness for open or short between ECM and refrigerant pressure sensor

>> Repair open circuit or short to ground or short to power in harness or connectors.

REFRIGERANT PRESSURE SENSOR

7. CHECK REFRIGERANT PRESSURE SENSOR INPUT SIGNAL CIRCUIT FOR OPEN AND SHORT

1. Check harness continuity between ECM terminal 105 and refrigerant pressure sensor terminal 2.
Refer to Wiring Diagram.

Continuity should exist.

2. Also check harness for short to ground and short to power.

OK or NG

- OK >> GO TO 9.
- NG >> GO TO 8.

8. DETECT MALFUNCTIONING PART

Check the following.

- Harness connectors E251, E31
- Harness for open or short between ECM and refrigerant pressure sensor

>> Repair open circuit or short to ground or short to power in harness or connectors.

9. CHECK INTERMITTENT INCIDENT

Refer to [EC-141, "TROUBLE DIAGNOSIS FOR INTERMITTENT INCIDENT"](#) .

OK or NG

- OK >> Replace refrigerant pressure sensor.
- NG >> Repair or replace.

Removal and Installation REFRIGERANT PRESSURE SENSOR

NBS00015

Refer to [ATC-135, "Removal and Installation of Refrigerant Pressure Sensor"](#) .

A
EC
C
D
E
F
G
H
I
J
K
L
M

MIL AND DATA LINK CONNECTOR

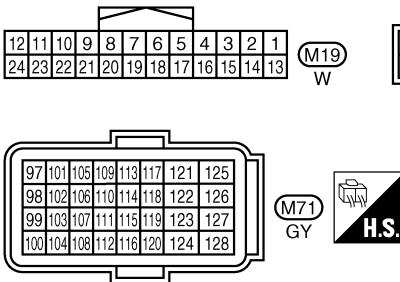
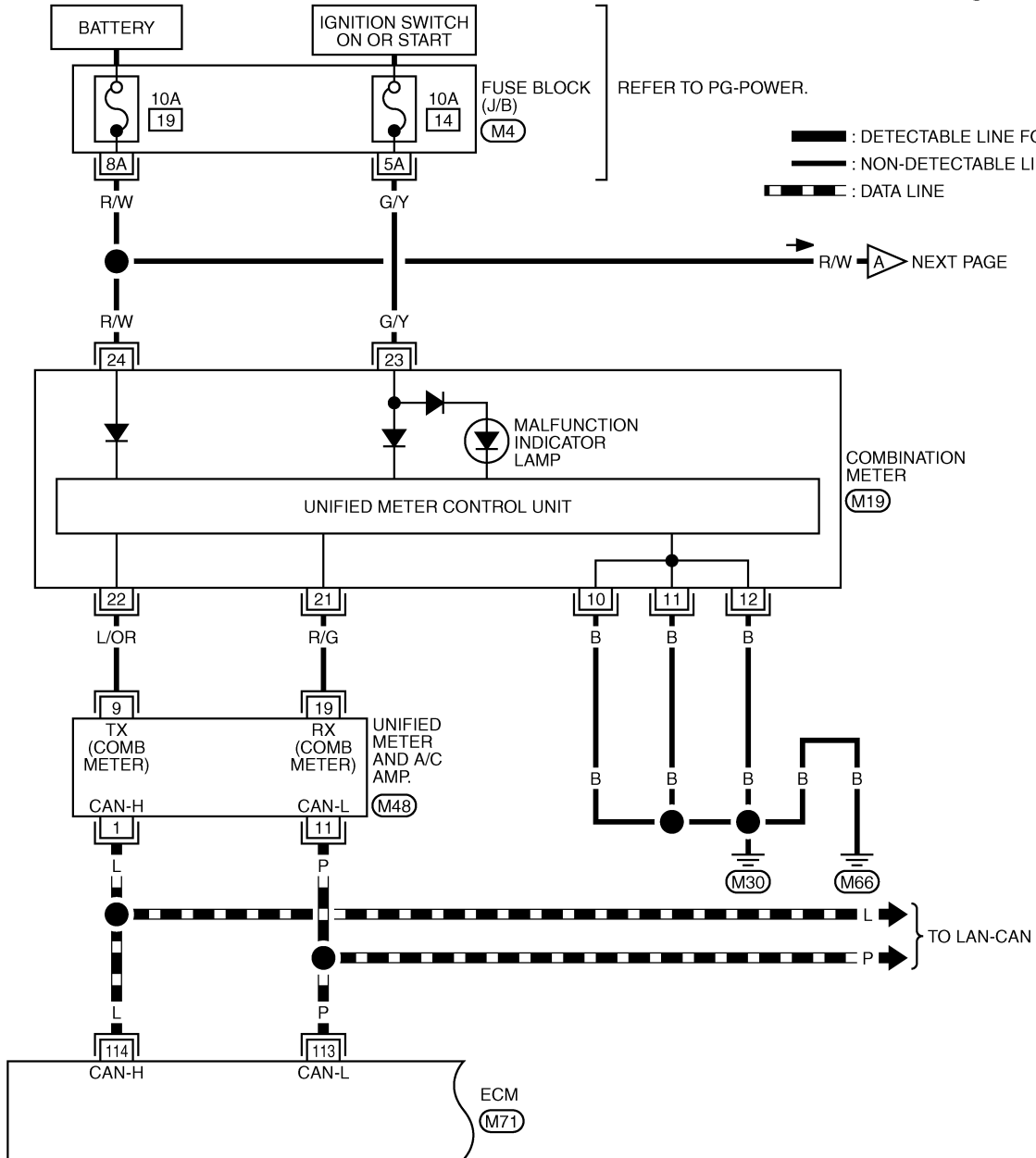
PFP:24814

NBS00011

EC-MIL/DL-01

MIL AND DATA LINK CONNECTOR

Wiring Diagram

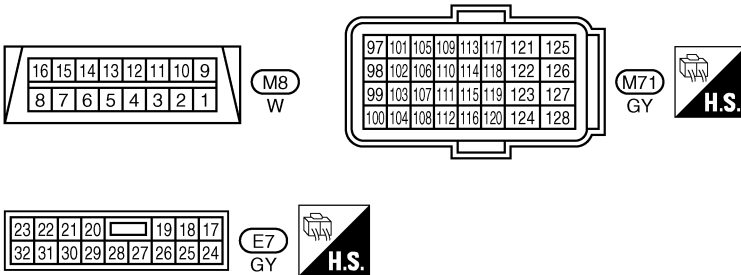
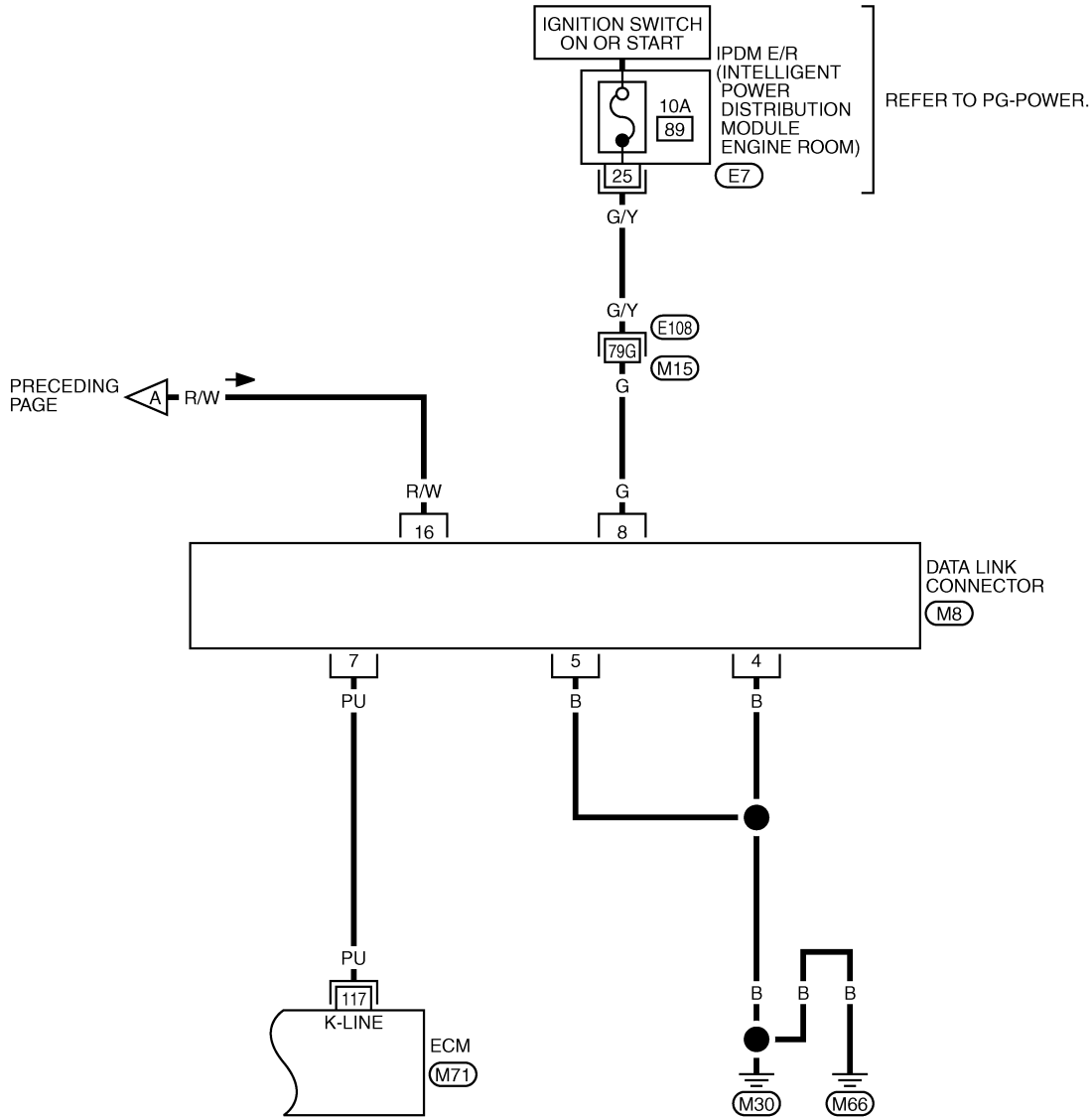


REFER TO THE FOLLOWING.
 (M4) - FUSE BLOCK-JUNCTION BOX (J/B)

MIL AND DATA LINK CONNECTOR

EC-MIL/DL-02

: DETECTABLE LINE FOR DTC
 : NON-DETECTABLE LINE FOR DTC



REFER TO THE FOLLOWING.

(E108) -SUPER MULTIPLE JUNCTION (SMJ)

TBWT1686E

SERVICE DATA AND SPECIFICATIONS (SDS)

SERVICE DATA AND SPECIFICATIONS (SDS)

PFP:00030

Fuel Pressure

NBS000J

Fuel pressure at idling kPa (kg/cm ² , psi)	Approximately 350 (3.57, 51)
--	------------------------------

Idle Speed and Ignition Timing

NBS000IK

Target idle speed	A/T	No load* (in P or N position)	650 ± 50 rpm
	M/T	No load* (in Neutral position)	
Air conditioner: ON	A/T	In P or N position	650 rpm or more
	M/T	In Neutral position	800 rpm or more
Ignition timing	A/T	In P or N position	15° ± 5° BTDC
	M/T	In Neutral position	

*: Under the following conditions:

- Air conditioner switch: OFF
- Electric load: OFF (Lights, heater fan & rear window defogger)
- Steering wheel: Kept in straight-ahead position

Calculated Load Value

NBS000IL

Conditions	Calculated load value % (Using CONSULT-III or GST)
At idle	5 - 35
At 2,500 rpm	5 - 35

Mass Air Flow Sensor

NBS000IM

Supply voltage	Battery voltage (11 - 14V)
Output voltage at idle	0.8 - 1.1V*
Mass air flow (Using CONSULT-III or GST)	2.0 - 6.0 g-m/sec at idle* 7.0 - 20.0 g-m/sec at 2,500 rpm*

*: Engine is warmed up to normal operating temperature and running under no load.

Intake Air Temperature Sensor

NBS000IN

Temperature °C (°F)	Resistance kΩ
25 (77)	1.800 - 2.200

Engine Coolant Temperature Sensor

NBS000IO

Temperature °C (°F)	Resistance kΩ
20 (68)	2.37 - 2.63
50 (122)	0.68 - 1.00
90 (194)	0.236 - 0.260

Air Fuel Ratio (A/F) Sensor 1 Heater

NBS000IP

Resistance [at 25°C (77°F)]	1.8 - 2.44Ω
-----------------------------	-------------

Heated Oxygen sensor 2 Heater

NBS000IQ

Resistance [at 25°C (77°F)]	3.4 - 4.4Ω
-----------------------------	------------

Crankshaft Position Sensor (POS)

NBS000IR

Refer to [EC-393, "Component Inspection"](#) .

Camshaft Position Sensor (PHASE)

NBS000IS

Refer to [EC-405, "Component Inspection"](#) .

SERVICE DATA AND SPECIFICATIONS (SDS)

Throttle Control Motor

NBS000IT

Resistance [at 25°C (77°F)]	Approximately 1 - 15Ω
-----------------------------	-----------------------

A

Fuel Injector

NBS000IU

Resistance [at 10 - 60°C (50 - 140°F)]	11.1 - 14.3Ω
--	--------------

EC

Fuel Pump

NBS000IV

Resistance [at 25°C (77°F)]	0.2 - 5.0Ω
-----------------------------	------------

C

D

E

F

G

H

I

J

K

L

M

SERVICE DATA AND SPECIFICATIONS (SDS)
