

SECTION **PG**

**POWER SUPPLY, GROUND & CIRCUIT ELEMENTS**

**CONTENTS**

<b>PRECAUTIONS</b> .....	<b>3</b>	<b>GROUND</b> .....	<b>30</b>
Precautions for Battery Service .....	3	Ground Distribution .....	30
<b>POWER SUPPLY ROUTING CIRCUIT</b> .....	<b>4</b>	MAIN HARNESS .....	30
Schematic .....	4	ENGINE ROOM HARNESS .....	32
Wiring Diagram — POWER — .....	5	ENGINE CONTROL HARNESS .....	35
BATTERY POWER SUPPLY — IGNITION SW.		BODY HARNESS .....	37
IN ANY POSITION .....	5	BODY NO. 2 HARNESS .....	42
ACCESSORY POWER SUPPLY — IGNITION		TAIL HARNESS .....	43
SW. IN “ACC” OR “ON” .....	10	BACK DOOR HARNESS .....	45
IGNITION POWER SUPPLY — IGNITION SW.		<b>HARNESS</b> .....	<b>46</b>
IN “ON” AND/OR “START” .....	11	Harness Layout .....	46
Fuse .....	16	HOW TO READ HARNESS LAYOUT .....	46
Fusible Link .....	16	OUTLINE .....	47
Circuit Breaker .....	16	MAIN HARNESS .....	48
<b>IPDM E/R (INTELLIGENT POWER DISTRIBUTION</b>		ENGINE ROOM HARNESS .....	50
<b>MODULE ENGINE ROOM)</b> .....	<b>17</b>	ENGINE CONTROL HARNESS .....	54
System Description .....	17	BODY HARNESS .....	57
SYSTEMS CONTROLLED BY IPDM E/R .....	17	BODY NO. 2 HARNESS .....	62
CAN COMMUNICATION LINE CONTROL .....	17	TAIL HARNESS .....	63
IPDM E/R STATUS CONTROL .....	18	TAIL NO. 2 HARNESS .....	66
CAN Communication System Description .....	18	ROOM LAMP HARNESS .....	67
CAN Communication Unit .....	18	DOOR HARNESS .....	69
Function of Detecting Ignition Relay Malfunction ...	18	Wiring Diagram Codes (Cell Codes) .....	71
CONSULT-II Function (IPDM E/R) .....	19	<b>ELECTRICAL UNITS LOCATION</b> .....	<b>74</b>
CONSULT-II BASIC OPERATION .....	19	Electrical Units Location .....	74
SELF-DIAG RESULTS .....	20	ENGINE COMPARTMENT .....	74
DATA MONITOR .....	21	PASSENGER COMPARTMENT .....	75
ACTIVE TEST .....	22	LUGGAGE COMPARTMENT .....	78
Auto Active Test .....	23	<b>HARNESS CONNECTOR</b> .....	<b>80</b>
DESCRIPTION .....	23	Description .....	80
OPERATION PROCEDURE .....	23	HARNESS CONNECTOR (TAB-LOCKING	
INSPECTION IN AUTO ACTIVE TEST MODE ...	23	TYPE) .....	80
Schematic .....	25	HARNESS CONNECTOR (SLIDE-LOCKING	
IPDM E/R Terminal Arrangement .....	26	TYPE) .....	81
IPDM E/R Power/Ground Circuit Inspection .....	27	<b>ELECTRICAL UNITS</b> .....	<b>82</b>
Inspection With CONSULT-II (Self-Diagnosis) .....	28	Terminal Arrangement .....	82
Removal and Installation of IPDM E/R .....	29	<b>SMJ (SUPER MULTIPLE JUNCTION)</b> .....	<b>84</b>
REMOVAL .....	29	Terminal Arrangement .....	84
INSTALLATION .....	29		

---

<b>STANDARDIZED RELAY</b> .....	<b>86</b>	<b>FUSE BLOCK - JUNCTION BOX (J/B)</b> .....	<b>88</b>
Description .....	86	Terminal Arrangement .....	88
NORMAL OPEN, NORMAL CLOSED AND		<b>FUSE, FUSIBLE LINK AND RELAY BOX</b> .....	<b>89</b>
MIXED TYPE RELAYS .....	86	Terminal Arrangement .....	89
TYPE OF STANDARDIZED RELAYS .....	86		

# PRECAUTIONS

---

## PRECAUTIONS

PPF:00001

### Precautions for Battery Service

AKS00AV9

Before disconnecting the battery, lower both the driver and passenger windows. This will prevent any interference between the window edge and the vehicle when the door is opened/closed. During normal operation, the window slightly raises and lowers automatically to prevent any window to vehicle interference. The automatic window function will not work with the battery disconnected.

A

B

C

D

E

F

G

H

I

J

**PG**

L

M

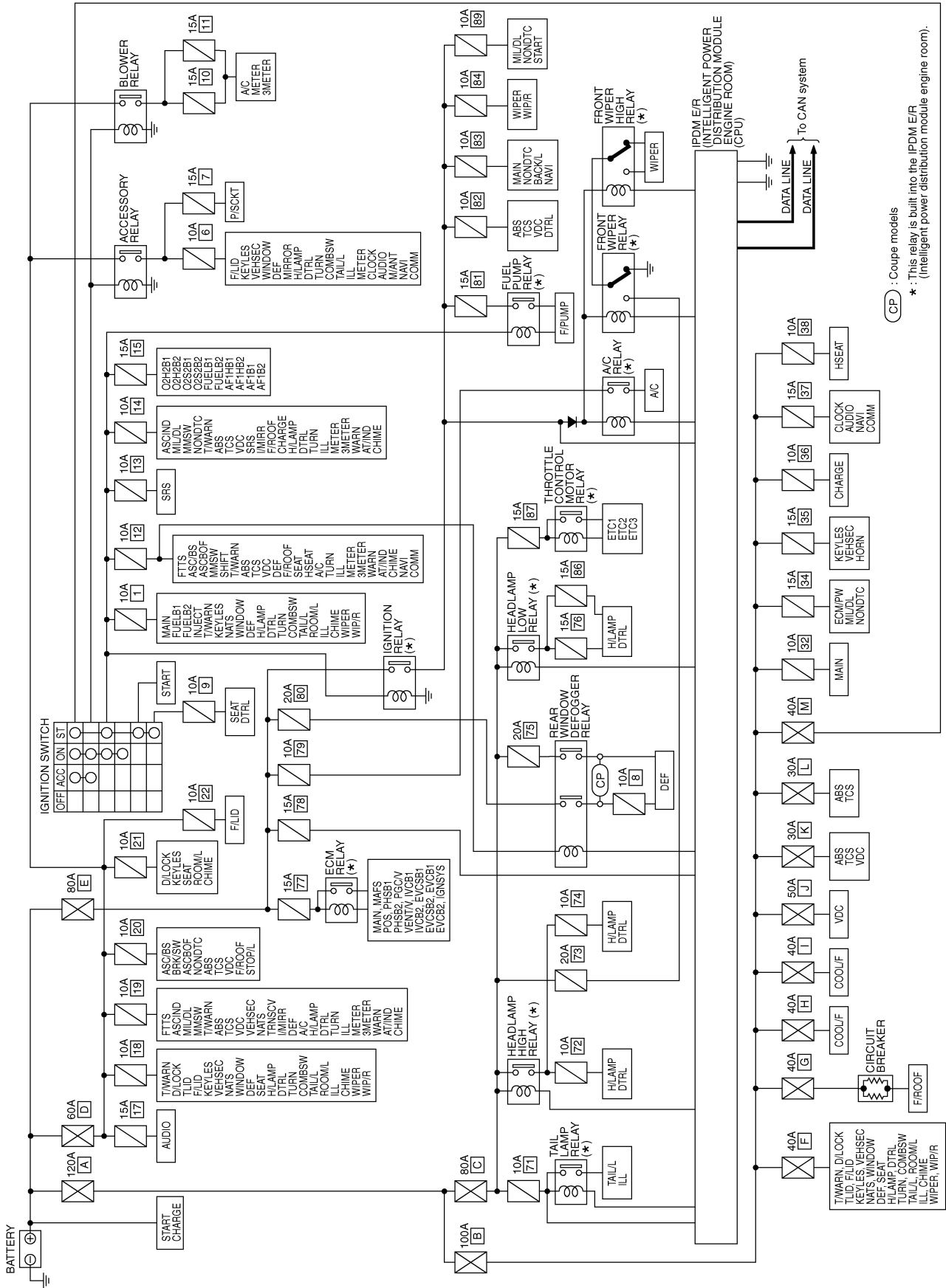
# POWER SUPPLY ROUTING CIRCUIT

PFP:24110

AKS0012B

## POWER SUPPLY ROUTING CIRCUIT

### Schematic

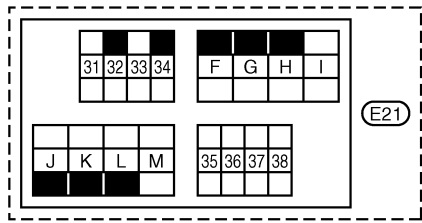
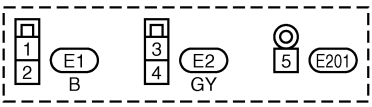
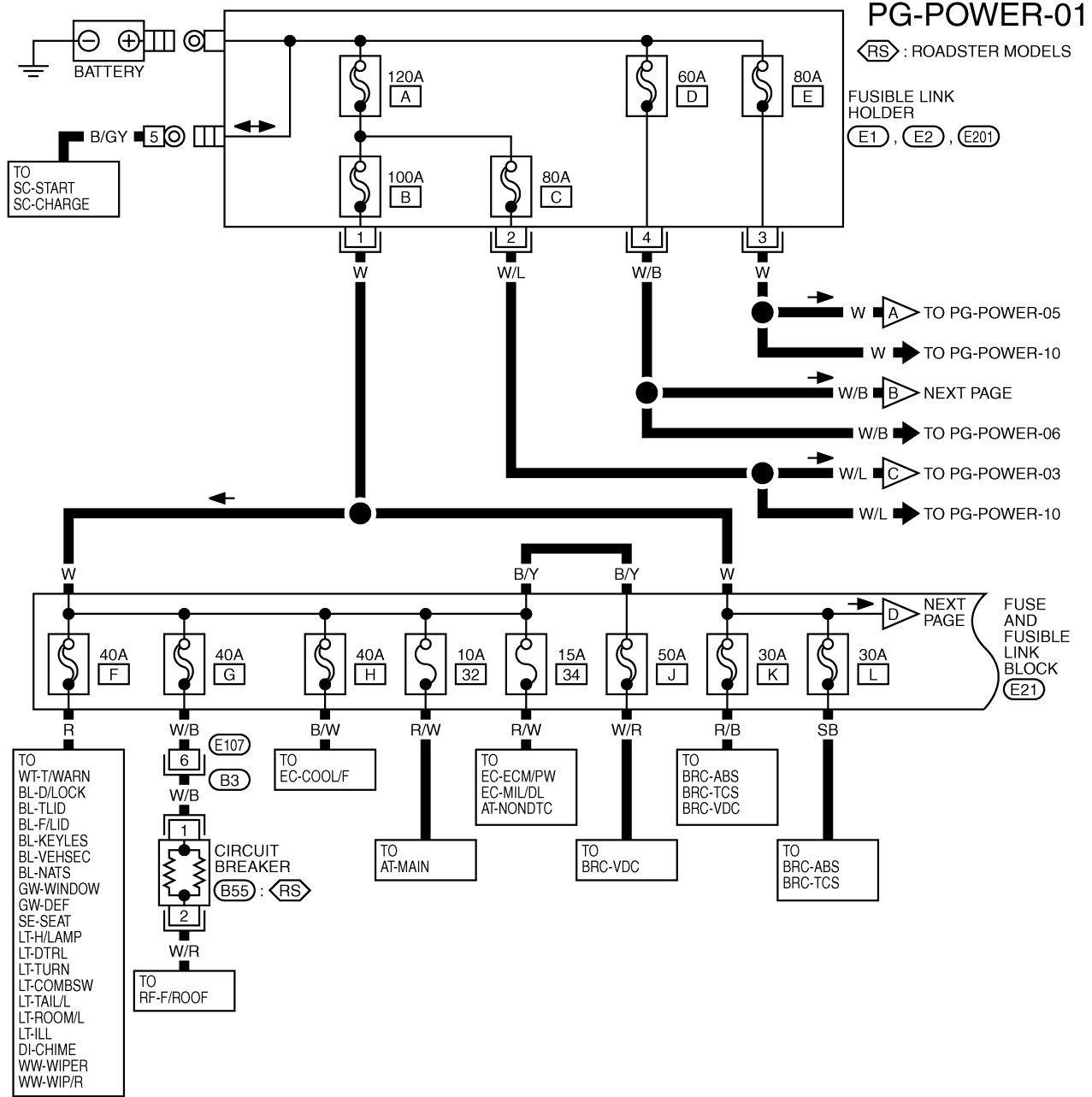


TKWT3243E

# POWER SUPPLY ROUTING CIRCUIT

## Wiring Diagram — POWER — BATTERY POWER SUPPLY — IGNITION SW. IN ANY POSITION

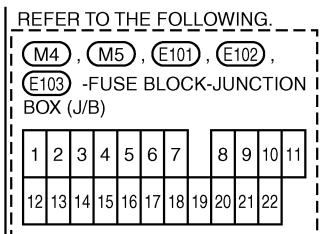
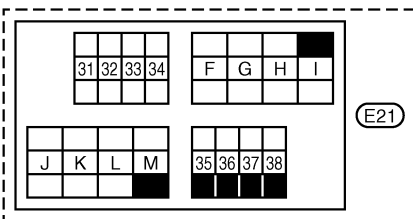
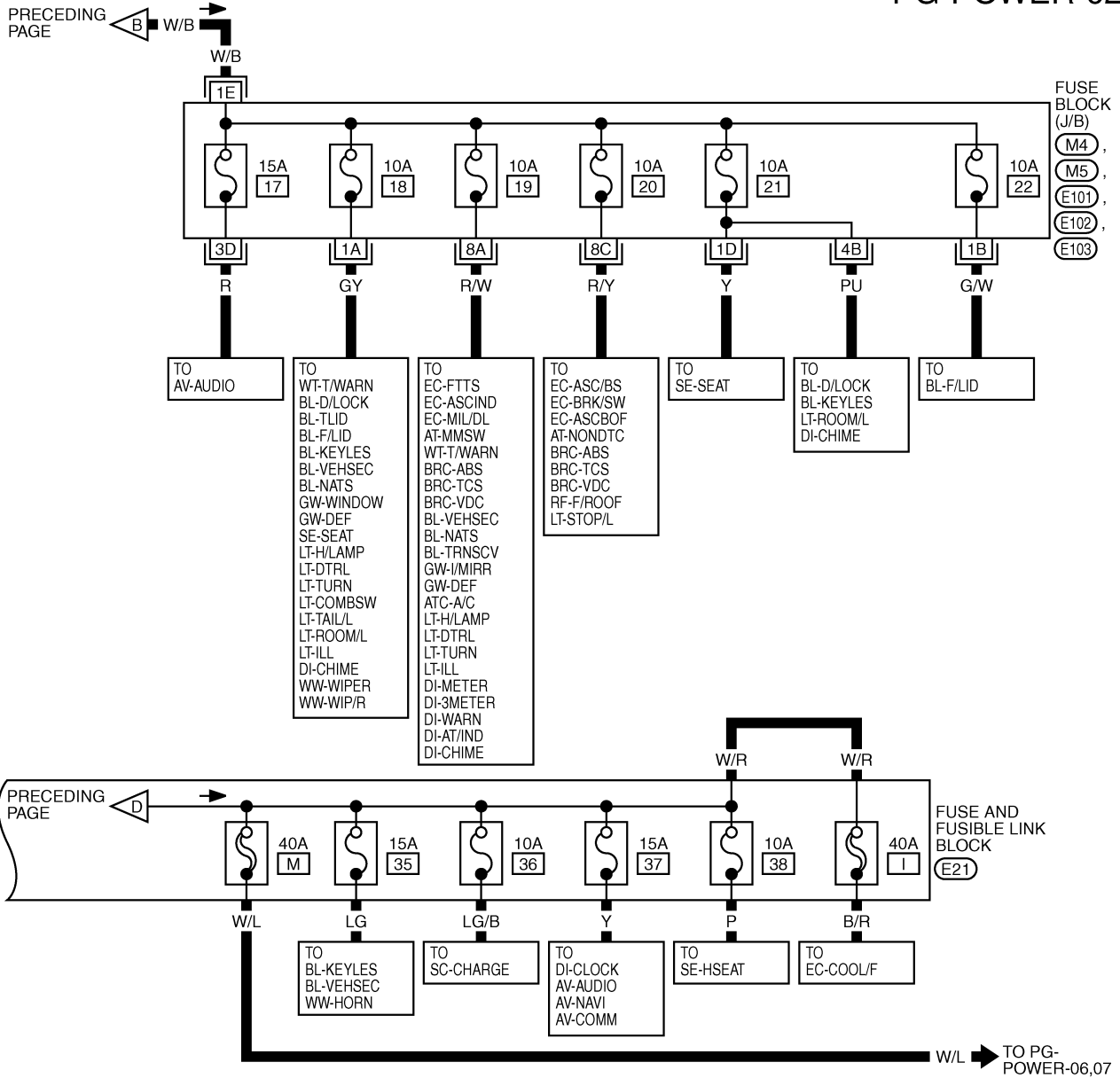
AKS0012C



A  
B  
C  
D  
E  
F  
G  
H  
I  
J  
PG  
L  
M

# POWER SUPPLY ROUTING CIRCUIT

PG-POWER-02

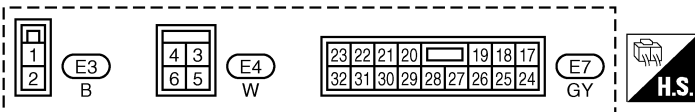
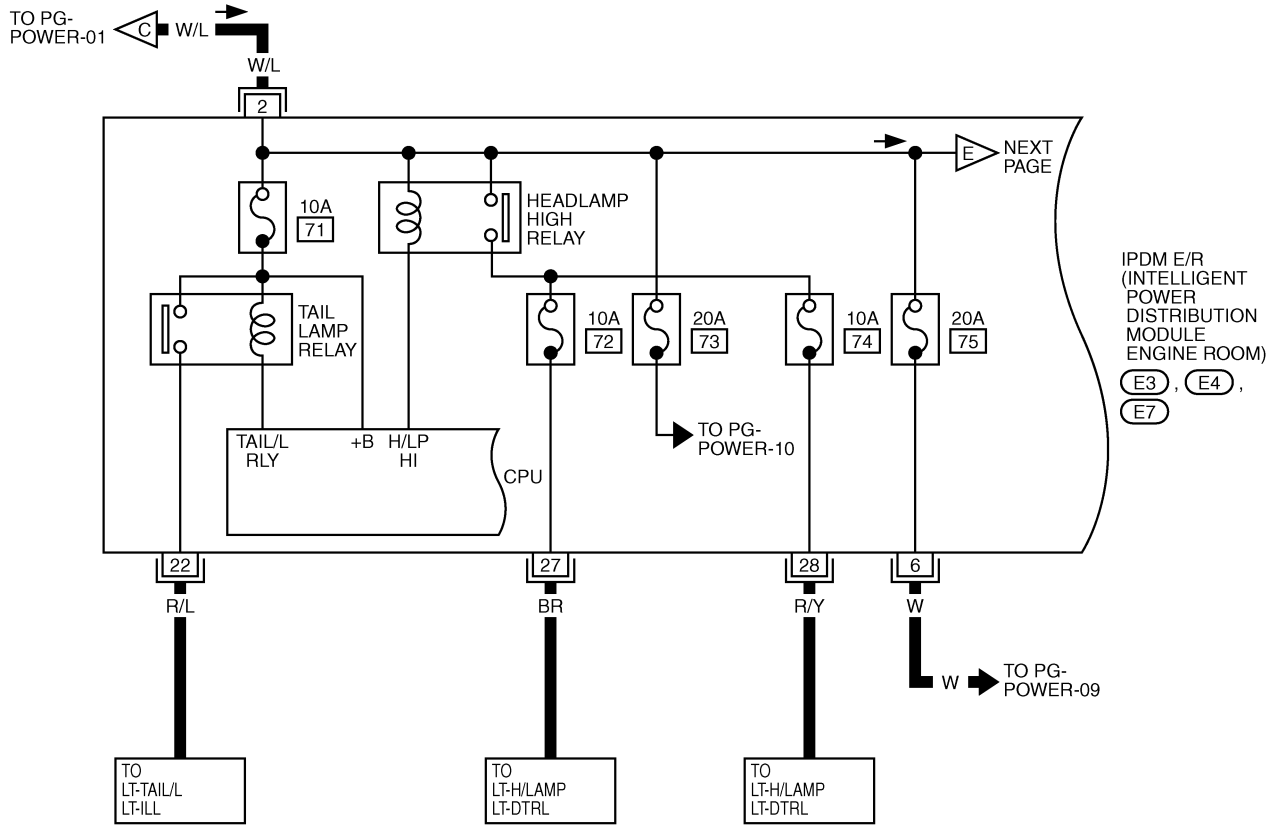


TKWT2348E

# POWER SUPPLY ROUTING CIRCUIT

PG-POWER-03

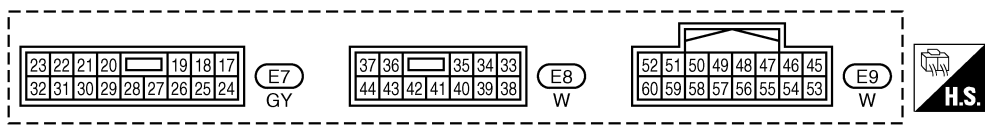
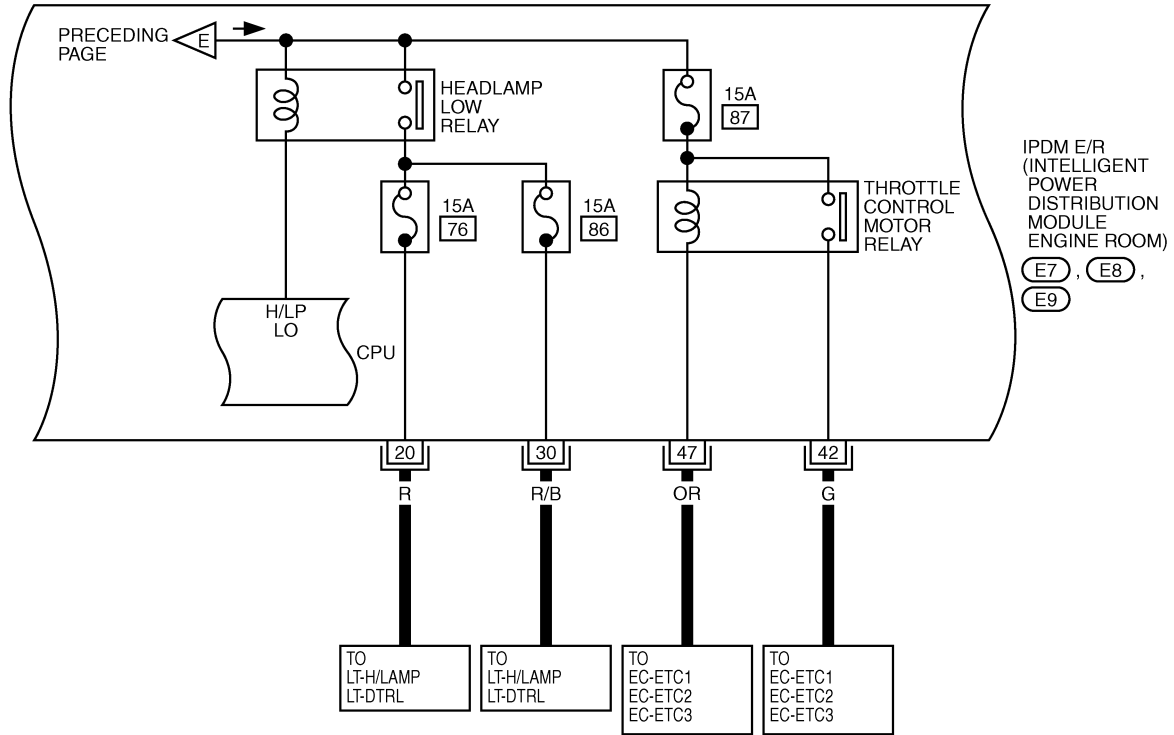
A  
B  
C  
D  
E  
F  
G  
H  
I  
J  
PG  
L  
M



TKWT1642E

# POWER SUPPLY ROUTING CIRCUIT

PG-POWER-04



TKWT1643E

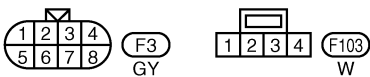
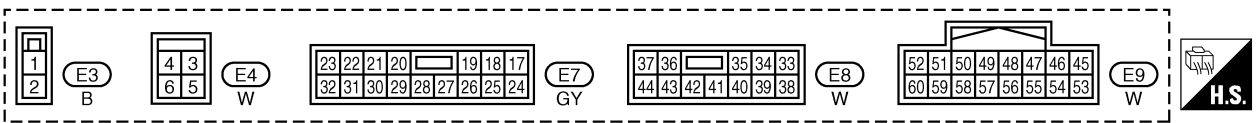
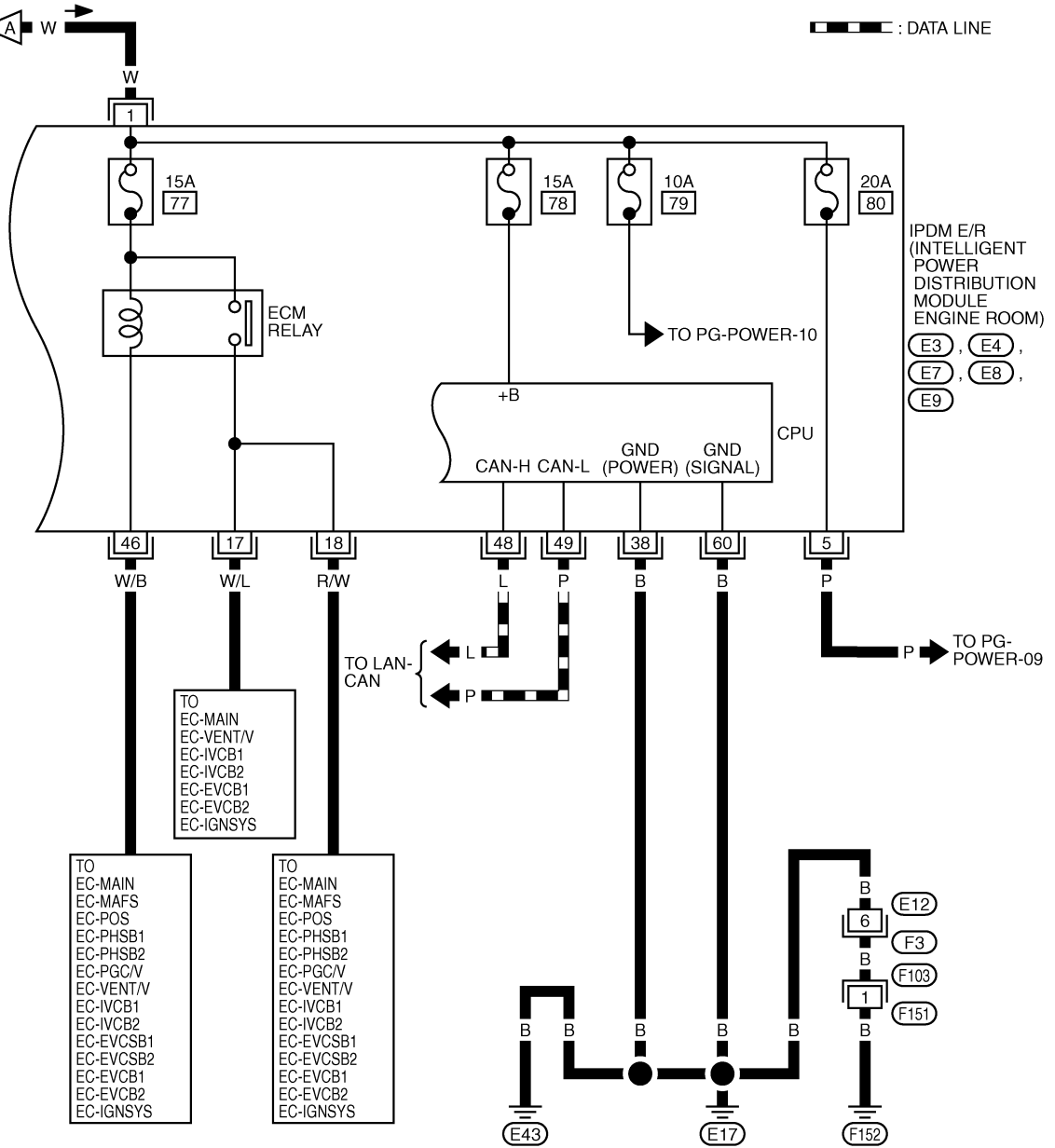


# POWER SUPPLY ROUTING CIRCUIT

PG-POWER-05

TO PG-POWER-01

▬ : DATA LINE

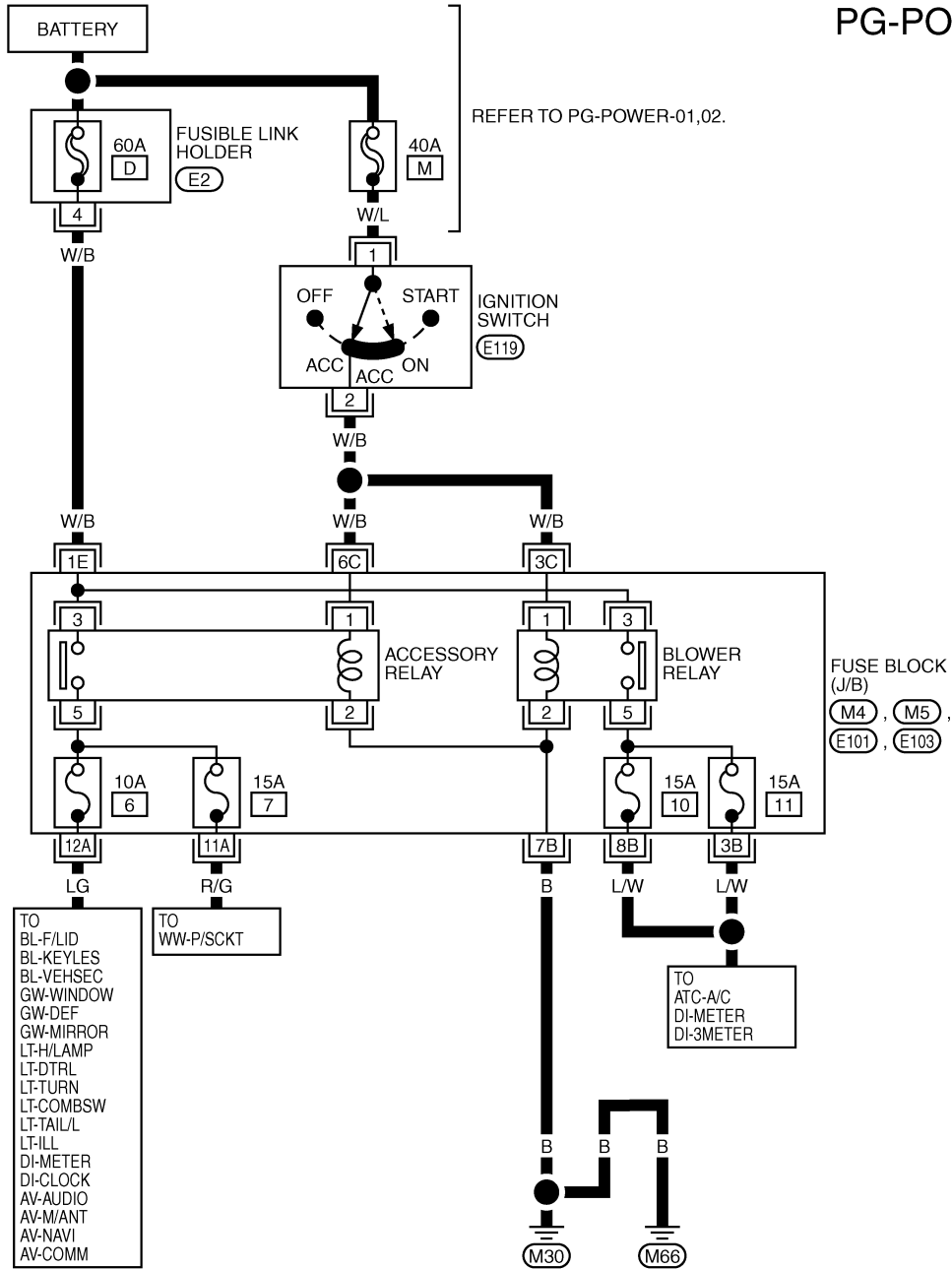


TKWT3244E

# POWER SUPPLY ROUTING CIRCUIT

## ACCESSORY POWER SUPPLY — IGNITION SW. IN “ACC” OR “ON”

PG-POWER-06



3
4

(E2)  
GY

3	5	1
4	2	6

(E119)  
W

REFER TO THE FOLLOWING.

(M4), (M5), (E101), (E103)

- FUSE BLOCK-JUNCTION BOX (J/B)

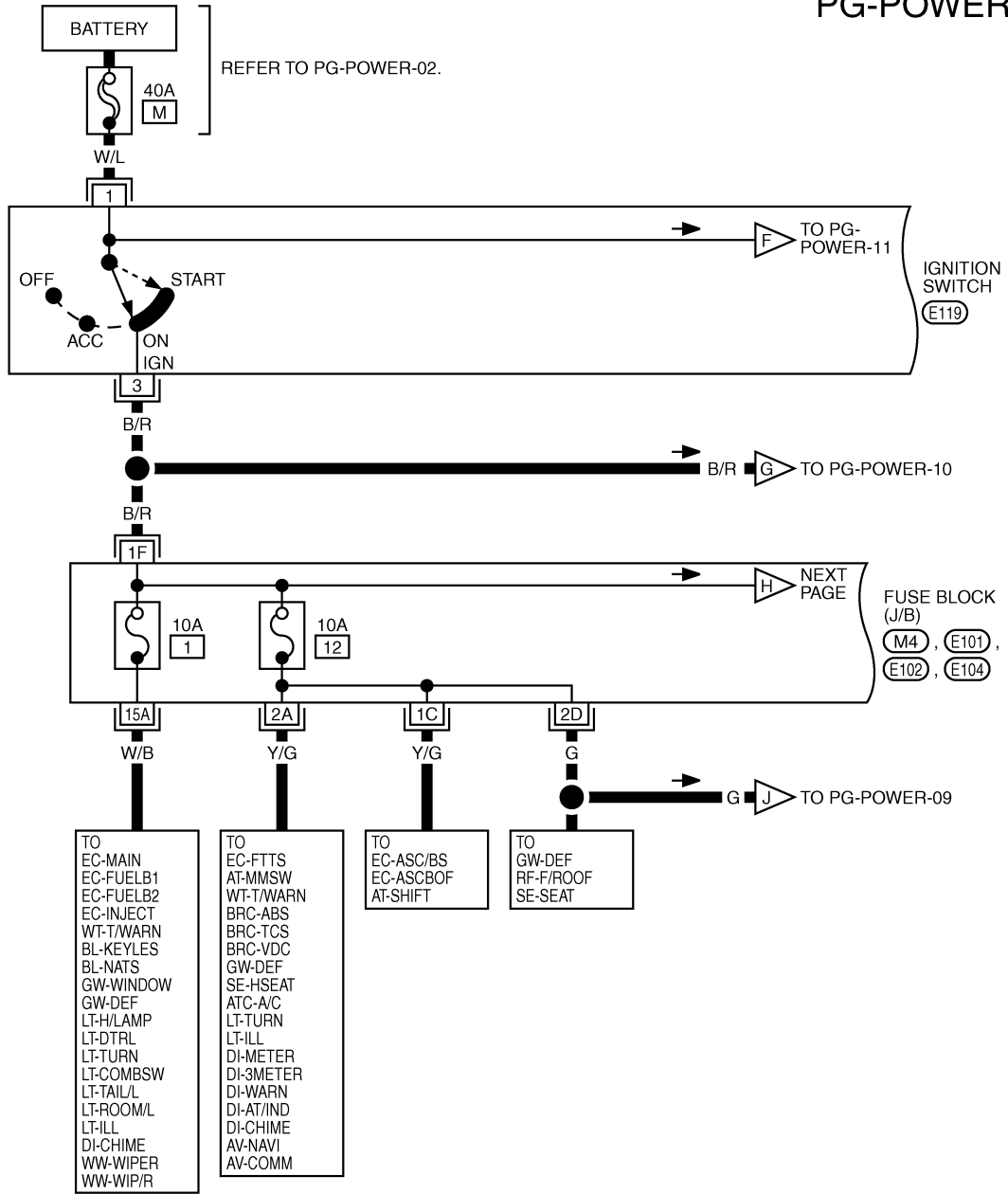
1	2	3	4	5	6	7	8	9	10	11
12	13	14	15	16	17	18	19	20	21	22

TKWT2349E

# POWER SUPPLY ROUTING CIRCUIT

## IGNITION POWER SUPPLY — IGNITION SW. IN “ON” AND/OR “START”

PG-POWER-07



3	5	1
4	2	6

(E119)  
W

REFER TO THE FOLLOWING

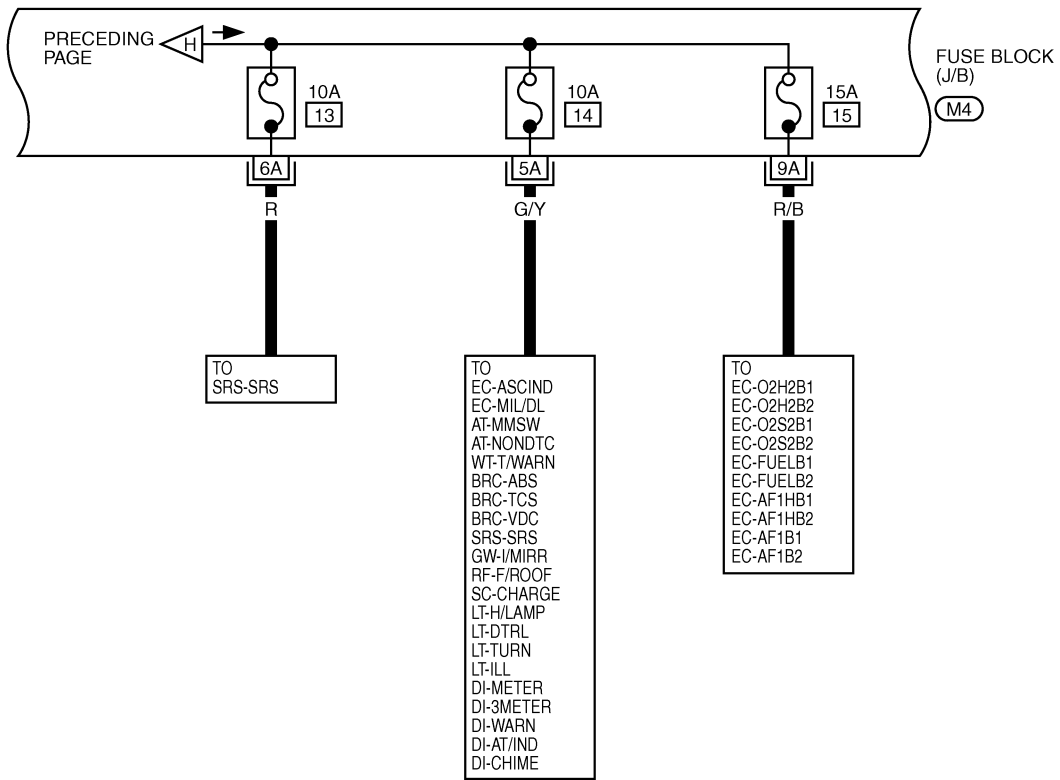
(M4), (E101), (E102), (E104)  
 -FUSE BLOCK-JUNCTION BOX (J/B)

1	2	3	4	5	6	7	8	9	10	11
12	13	14	15	16	17	18	19	20	21	22

TKWT2350E

# POWER SUPPLY ROUTING CIRCUIT

PG-POWER-08



REFER TO THE FOLLOWING.

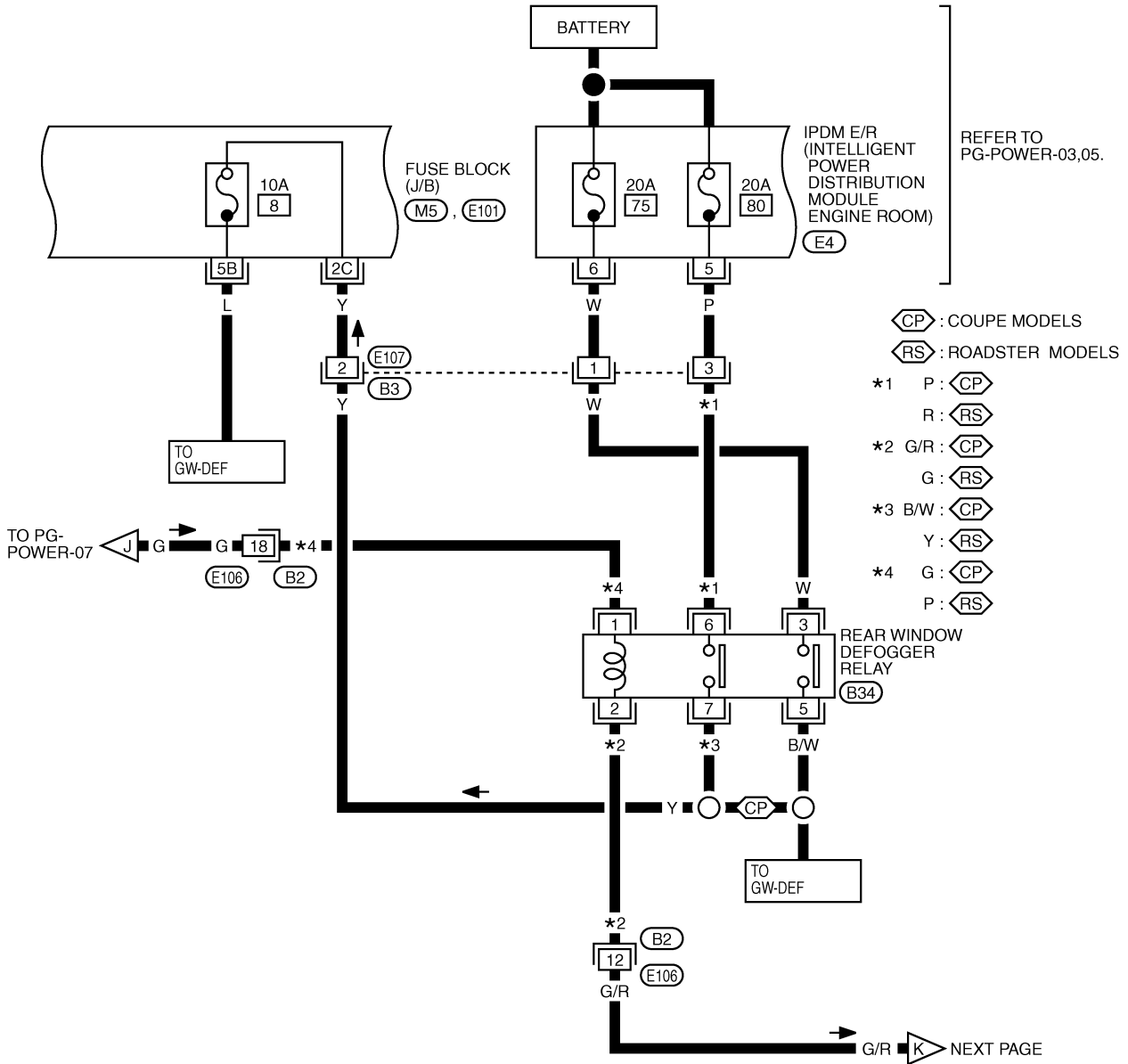
M4 - FUSE BLOCK- JUNCTION BOX (J/B)

1	2	3	4	5	6	7	8	9	10	11
12	13	14	15	16	17	18	19	20	21	22

TKWM1379E

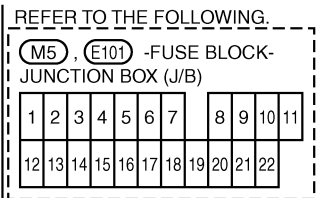
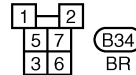
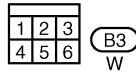
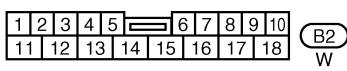
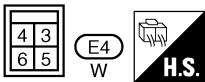
# POWER SUPPLY ROUTING CIRCUIT

PG-POWER-09



A  
B  
C  
D  
E  
F  
G  
H  
I  
J  
K  
L  
M

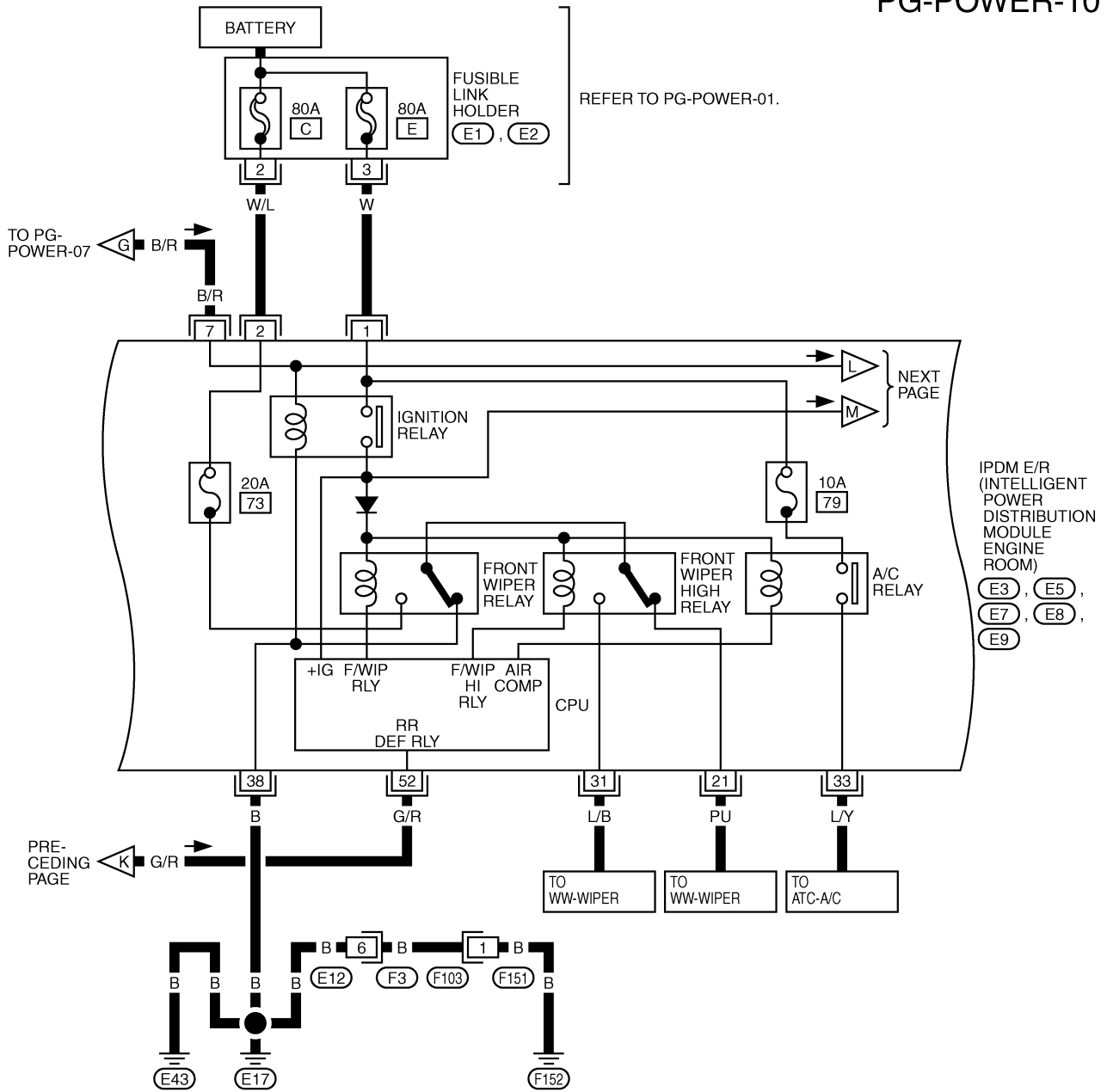
PG



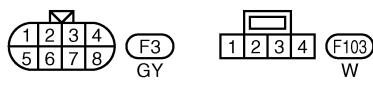
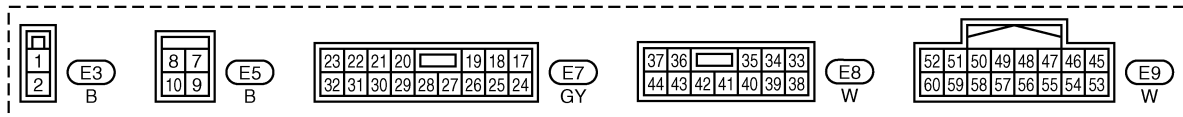
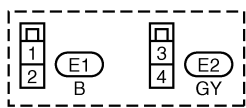
TKWT2522E

# POWER SUPPLY ROUTING CIRCUIT

PG-POWER-10



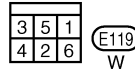
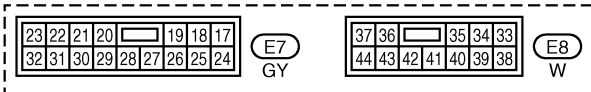
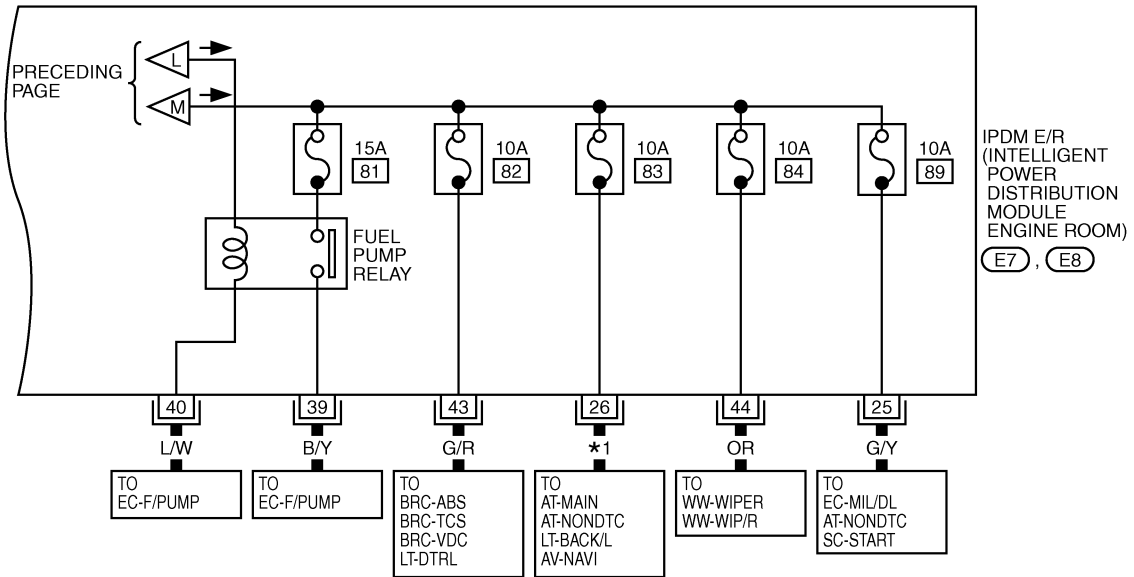
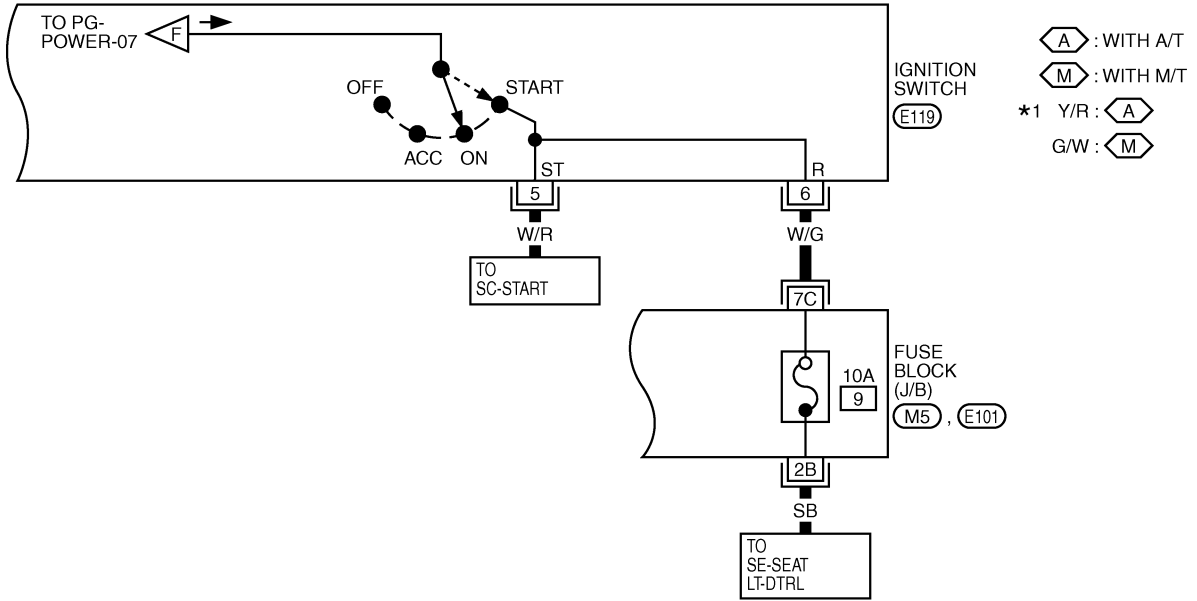
IPDM E/R  
(INTELLIGENT  
POWER  
DISTRIBUTION  
MODULE  
ENGINE  
ROOM)  
E3, E5,  
E7, E8,  
E9



TKWT1649E

# POWER SUPPLY ROUTING CIRCUIT

PG-POWER-11



REFER TO THE FOLLOWING.

(M5, E101) - FUSE BLOCK-JUNCTION BOX (J/B)

1	2	3	4	5	6	7	8	9	10	11
12	13	14	15	16	17	18	19	20	21	22

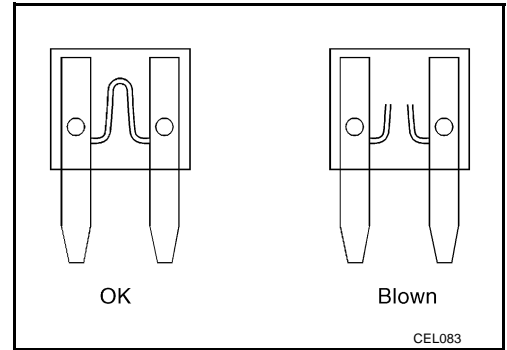
TKWB0268E

# POWER SUPPLY ROUTING CIRCUIT

## Fuse

AKS0012D

- If fuse is blown, be sure to eliminate cause of malfunction before installing new fuse.
- Use fuse of specified rating. Never use fuse of more than specified rating.
- Do not partially install fuse; always insert it into fuse holder properly.
- Remove fuse for "ELECTRICAL PARTS (BAT)" if vehicle is not used for a long period of time.



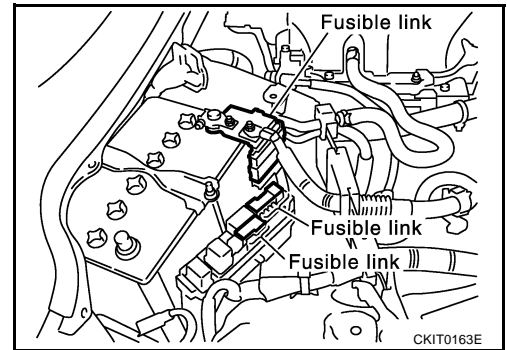
## Fusible Link

AKS0012E

A melted fusible link can be detected either by visual inspection or by feeling with finger tip. If its condition is questionable, use circuit tester or test lamp.

### CAUTION:

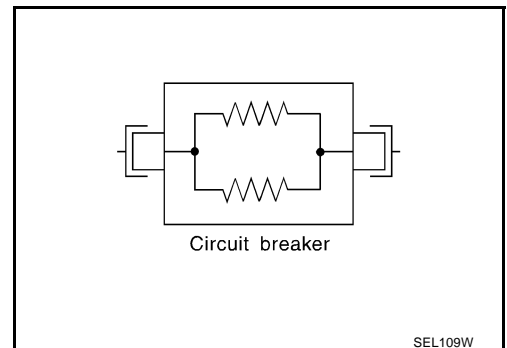
- If fusible link should melt, it is possible that critical circuit (power supply or large current carrying circuit) is shorted. In such a case, carefully check and eliminate cause of malfunction.
- Never wrap outside of fusible link with vinyl tape. Important: Never let fusible link touch any other wiring harness, vinyl or rubber parts.



## Circuit Breaker

AKS0012F

The PTC thermistor generates heat in response to current flow. The temperature (and resistance) of the thermistor element varies with current flow. Excessive current flow will cause the element's temperature to rise. When the temperature reaches a specified level, the electrical resistance will rise sharply to control the circuit current. Reduced current flow will cause the element to cool. Resistance falls accordingly and normal circuit current flow is allowed to resume.





## IPDM E/R (INTELLIGENT POWER DISTRIBUTION MODULE ENGINE ROOM)

PF:284B7

### System Description

AKS00A2H

- IPDM E/R (Intelligent Power Distribution Module Engine Room) integrates the relay box and fuse block which were originally placed in engine room. It controls integrated relay via IPDM E/R control circuit.
- IPDM E/R-integrated control circuit performs ON-OFF operation of relay, CAN communication control, hood switch signal reception, etc.
- It controls operation of each electrical part via ECM, BCM and CAN communication lines.

#### CAUTION:

None of the IPDM E/R-integrated relays can be removed.

### SYSTEMS CONTROLLED BY IPDM E/R

1. Lamp control  
Using CAN communication line, it receives signal from BCM and controls the following lamps:
  - Headlamps (Hi, Lo)
  - Parking lamps
  - Tail lamps
  - License plate lamps
2. Wiper control  
Using CAN communication line, it receives signals from BCM and controls the front wipers.
3. Rear window defogger relay control  
Using CAN communication line, it receives signals from BCM and controls the rear window defogger relay.
4. A/C compressor control  
Using CAN communication line, it receives signals from ECM and controls the A/C relay.
5. Cooling fan control  
Using CAN communication line, it receives signals from ECM and controls cooling fan relay.

### CAN COMMUNICATION LINE CONTROL

With CAN communication, by connecting each control unit using two communication lines (CAN L line, CAN H line), it is possible to transmit maximum amount of information with minimum wiring. Each control unit can transmit and receive data, and reads necessary information only.

1. Fail-safe control
  - When CAN communication with other control units is impossible, IPDM E/R performs fail-safe control. After CAN communication recovers normally, it also returns to normal control.
  - Operation of control parts by IPDM E/R during fail-safe mode is as follows:

Controlled system	Fail-safe mode
Headlamp	<ul style="list-style-type: none"> <li>● With the ignition switch ON, the headlamp (low) is ON.</li> <li>● With the ignition switch OFF, the headlamp (low) is OFF.</li> </ul>
Tail and parking lamps	<ul style="list-style-type: none"> <li>● With the ignition switch ON, the tail and parking lamps is ON.</li> <li>● With the ignition switch OFF, the tail and parking lamps is OFF.</li> </ul>
Cooling fan	<ul style="list-style-type: none"> <li>● With the ignition switch ON, the cooling fan HI operates.</li> <li>● With the ignition switch OFF, the cooling fan stops.</li> </ul>
Front wiper	Until the ignition switch is turned off, the front wiper LO and HI remains in the same status it was in just before fail-safe control was initiated.
Rear window defogger	Rear window defogger relay OFF
A/C compressor	A/C compressor OFF

# IPDM E/R (INTELLIGENT POWER DISTRIBUTION MODULE ENGINE ROOM)

## IPDM E/R STATUS CONTROL

In order to save power, IPDM E/R switches status by itself based on each operating condition.

1. CAN communication status
  - CAN communication is normally performed with other control units.
  - Individual unit control by IPDM E/R is normally performed.
  - When sleep request signal is received from BCM, mode is switched to sleep waiting status.
2. Sleep waiting status
  - Process to stop CAN communication is activated.
  - All systems controlled by IPDM E/R are stopped. When 3 seconds have elapsed after CAN communication with other control units is stopped, mode switches to sleep status.
3. Sleep status
  - IPDM E/R operates in low power mode.
  - CAN communication is stopped.
  - When a change in CAN communication line is detected, mode switches to CAN communication status.
  - When a change hood switch or ignition switch signal is detected, mode switches to CAN communication status.

## CAN Communication System Description

AKS00A2I

CAN (Controller Area Network) is a serial communication line for real time application. It is an on-vehicle multiplex communication line with high data communication speed and excellent error detection ability. Modern vehicles are equipped with many electronic control units and each control unit shares information and links with other control units during operation (not independent). In CAN communication, control units are connected with 2 communication lines (CAN H line, CAN L line) allowing a high rate of information transmission with less wiring. Each control unit transmits/receives data but selectively reads required data only.

## CAN Communication Unit

AKS00A2J

Refer to [LAN-21, "CAN Communication Unit"](#) .

## Function of Detecting Ignition Relay Malfunction

AKS00A2K

- When contact point of integrated ignition relay is stuck and cannot be turned OFF, IPDM E/R turns ON tail and parking lamps for 10 minutes to indicate ignition relay malfunction.
- When a state of ignition relay having built-in does not agree with a state of Ignition switch signal input by a CAN communication from BCM, IPDM E/R lets tail lamp relay operate.

Ignition switch signal	Ignition relay status	Tail lamp relay
ON	ON	—
OFF	OFF	—
ON	OFF	—
OFF	ON	ON (10 minutes)

**NOTE:**

When the ignition switch is turned ON, the tail lamp is OFF.

# IPDM E/R (INTELLIGENT POWER DISTRIBUTION MODULE ENGINE ROOM)

## CONSULT-II Function (IPDM E/R)

AKS00A2L

CONSULT-II can display each diagnostic item using the diagnostic test modes shown following.

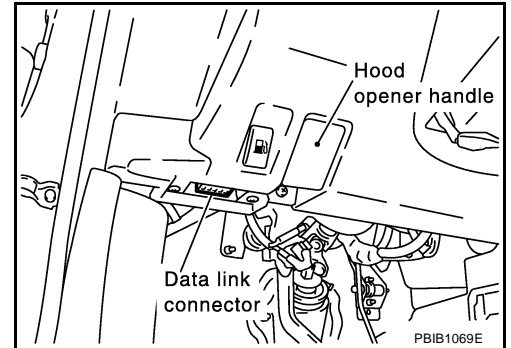
Inspection Item, Diagnosis Mode	Description
SELF-DIAG RESULTS	The IPDM E/R performs diagnosis of the CAN communication and self-diagnosis.
DATA MONITOR	The input/output data of the IPDM E/R is displayed in real time.
CAN DIAG SUPPORT MNTR	The result of transmit/receive diagnosis of CAN communication can be read.
ACTIVE TEST	The IPDM E/R sends a drive signal to electronic components to check their operation.

## CONSULT-II BASIC OPERATION

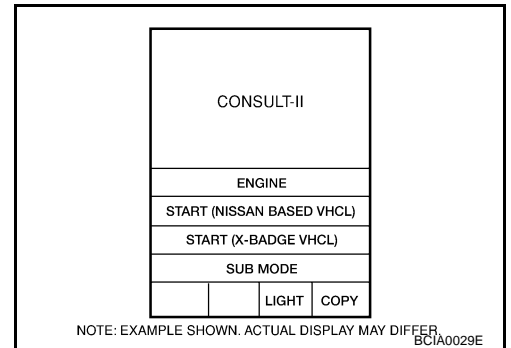
### CAUTION:

If CONSULT-II is used with no connection of CONSULT-II CONVERTER, malfunctions might be detected in self-diagnosis depending on control unit which carry out CAN communication.

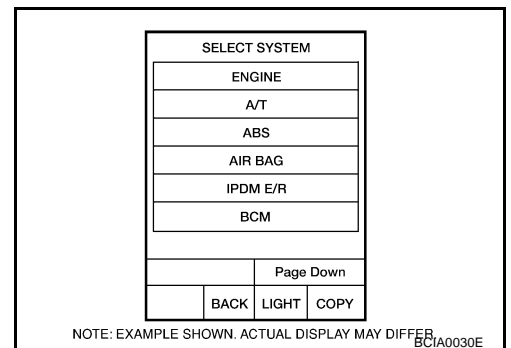
1. With the ignition switch OFF, connect CONSULT-II and CONSULT-II CONVERTER to the data link connector, then turn the ignition switch ON.



2. Touch "START (NISSAN BASED VHCL)".

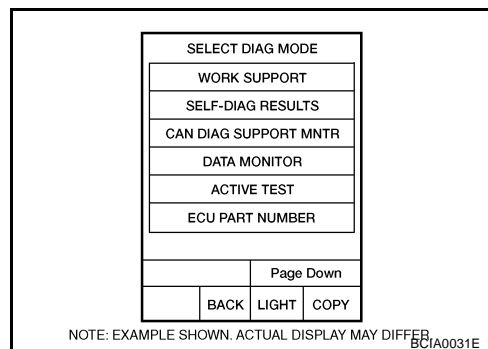


3. Touch "IPDM E/R" on "SELECT SYSTEM" screen. If "IPDM E/R" is not displayed, refer to [GI-39, "CONSULT-II Data Link Connector \(DLC\) Circuit"](#).



# IPDM E/R (INTELLIGENT POWER DISTRIBUTION MODULE ENGINE ROOM)

- Select the desired part to be diagnosed on the “SELECT DIAG MODE” screen.



## SELF-DIAG RESULTS

### Operation Procedure

- Touch “SELF-DIAG RESULTS” on “SELECT DIAG MODE” screen.
- Check display content in self-diagnostic results.

### Display Item List

Display Items	CONSULT-II display code	Malfunction detecting condition	TIME		Possible causes
			CRNT	PAST	
NO DTC IS DETECTED.FURTHER TESTING MAY BE REQUIRED.	-	-	-	-	-
CAN COMM CIRC	U1000	<ul style="list-style-type: none"> <li>If CAN communication reception/transmission data has a malfunction, or if any of the control units malfunction, data reception/transmission cannot be confirmed.</li> <li>When the data in CAN communication is not received before the specified time</li> </ul>	×	×	Any of or several items below have errors. <ul style="list-style-type: none"> <li>TRANSMIT DIAG</li> <li>ECM</li> <li>BCM/SEC</li> </ul>

#### NOTE:

The details for display of the period are as follows:

- CRNT: Error currently detected with IPDM E/R.
- PAST: Error detected in the past and memorized with IPDM E/R.

# IPDM E/R (INTELLIGENT POWER DISTRIBUTION MODULE ENGINE ROOM)

## DATA MONITOR

### Operation Procedure

1. Touch "DATA MONITOR" on "SELECT DIAG MODE" screen.
2. Touch "ALL SIGNALS", "MAIN SIGNALS" or "SELECTION FROM MENU" on the "SELECT MONITOR ITEM" screen.

ALL SIGNALS	All items will be monitored.
MAIN SIGNALS	Monitor the predetermined item.
SELECTION FROM MENU	Select any item for monitoring.

3. Touch the required monitoring item on "SELECTION FROM MENU". In "ALL SIGNALS", all items are monitored. In "MAIN SIGNALS", predetermined items are monitored.
4. Touch "START".
5. Touch "RECORD" while monitoring to record the status of the item being monitored. To stop recording, touch "STOP".

### All Items, Main Items, Selection From Menu

Item name	CONSULT-II screen display	Display or unit	SELECT MONITOR ITEM			Description
			ALL SIGNALS	MAIN SIGNALS	SELECTION FROM MENU	
Motor fan request	MOTOR FAN REQ	1/2/3/4	×	×	×	Signal status input from ECM
Compressor request	AC COMP REQ	ON/OFF	×	×	×	Signal status input from ECM
Tail & clear request	TAIL&CLR REQ	ON/OFF	×	×	×	Signal status input from BCM
H/L LO request	HL LO REQ	ON/OFF	×	×	×	Signal status input from BCM
H/L HI request	HL HI REQ	ON/OFF	×	×	×	Signal status input from BCM
Front fog request	FR FOG REQ* <sup>1</sup>	ON/OFF	×	×	×	—
Head lamp washer request	HL WASHER REQ* <sup>1</sup>	ON/OFF	×		×	—
Front wiper request	FR WIP REQ	STOP/1LOW/LOW/HI	×	×	×	Signal status input from BCM
Wiper auto stop	WIP AUTO STOP	ACT P/STOP P	×	×	×	Output status of IPDM E/R
Wiper protection	WIP PROT	OFF/Block	×	×	×	Control status of IPDM E/R
Starter request	ST RLY REQ* <sup>2</sup>	ON/OFF	×		×	Status of input signal
Ignition relay status	IGN RLY	ON/OFF	×	×	×	Ignition relay status monitored with IPDM E/R
Rear window defogger request	RR DEF REQ	ON/OFF	×	×	×	Signal status input from BCM
Oil pressure switch	OIL P SW* <sup>1</sup>	OPEN/CLOSE	×		×	—
Day time light request	DTRL REQ* <sup>1</sup>	ON/OFF	×		×	—
Hood switch	HOOD SW* <sup>1</sup>	ON/OFF	×		×	—
Theft warning horn request	THFT HRN REQ	ON/OFF	×		×	Signal status input from BCM
Horn chirp	HORN CHIRP	ON/OFF	×		×	Output status of IPDM E/R

#### NOTE:

- Perform monitoring of IPDM E/R data with the ignition switch ON. When the ignition switch is at ACC, the display may not be correct.
- \*1: This items is displayed, but does not function.
- \*2: The vehicle without intelligent key system displays only ON without change.

# IPDM E/R (INTELLIGENT POWER DISTRIBUTION MODULE ENGINE ROOM)

## ACTIVE TEST

### Operation Procedure

1. Touch "ACTIVE TEST" on "SELECT DIAG MODE" screen.
2. Touch item to be tested.
3. Touch "START", and confirm its operation.
4. Touch "STOP" while testing to stop the operation.

Test item	CONSULT-II screen display	Description
Tail lamp operation	TAIL LAMP	With a certain ON-OFF operation, the tail lamp relay can be operated.
Rear window defogger operation	REAR DEFOGGER	With a certain ON-OFF operation, the rear window defogger relay can be operated.
Front wiper (HI, LO) operation	FRONT WIPER	With a certain operation (OFF, HI ON, LO ON), the front wiper relay (Lo, Hi) can be operated.
Cooling fan operation	MOTOR FAN	With a certain operation (1,2,3,4), the cooling fan can be operated.
Headlamp washer <sup>NOTE 1</sup>	HEAD LAMP WASHER	—
Lamp (HI, LO, FOG <sup>NOTE 2</sup> ) operation	LAMPS	With a certain operation (OFF, HI ON, LO ON, FOG ON <sup>NOTE</sup> ), the lamp relay (Lo, Hi, Fog <sup>NOTE</sup> ) can be operated.
Horn operation	HORN	Push "ON" button, horn relay operates 20ms.

#### NOTE:

1. Headlamp washer item is displayed, but it cannot be tested.
2. Fog lamp item is displayed, but it cannot be tested.

## Auto Active Test DESCRIPTION

In auto active test mode, operation inspection can be performed when IPDM E/R sends a drive signal to the following systems:

- Rear window defogger
- Front wipers
- Tail lamps and parking lamps
- Headlamps (Hi, Lo)
- A/C compressor (magnetic clutch)
- Cooling fan

## OPERATION PROCEDURE

1. Close hood and front door (passenger side), and then lift wiper arms away from windshield (to prevent glass damage by wiper operation).

### NOTE:

When auto active test is performed with hood opened, sprinkle water on windshield beforehand.

2. Turn ignition switch OFF.
3. Turn ignition switch ON, and, within 20 seconds, press drivers front door switch 10 times (close other door). Then turn ignition switch OFF.
4. Turn ignition switch ON within 10 seconds after ignition switch OFF.
5. When auto active test mode is actuated.
6. After a series of operations is repeated three times, auto active test is completed.

### NOTE:

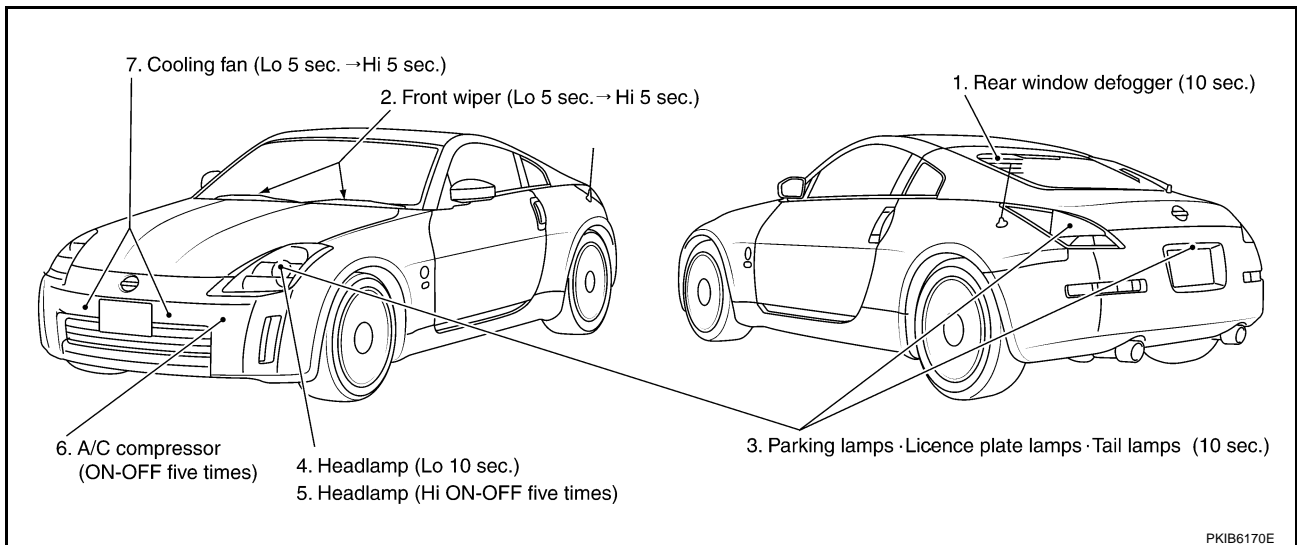
When auto active test mode has to be cancelled halfway, turn ignition switch OFF.

### CAUTION:

Be sure to inspect **BL-39, "Door Switch Check"** when the auto active test cannot be performed.

## INSPECTION IN AUTO ACTIVE TEST MODE

When auto active test mode is actuated, the following eight steps are repeated three times.



### NOTE:

It takes 10 seconds from 3 to 4.

# IPDM E/R (INTELLIGENT POWER DISTRIBUTION MODULE ENGINE ROOM)

## Concept of Auto Active Test

- IPDM E/R actuates auto active test mode when it receives door switch signal from BCM via CAN communication line. Therefore, when auto active test mode is activated successfully, CAN communication between IPDM E/R and BCM is normal.
- If any of systems controlled by IPDM E/R cannot be operated, possible cause can be easily diagnosed using auto active test.

Diagnosis chart in auto active test mode

Symptom	Inspection contents	Possible cause	
Rear window defogger does not operate.	Perform auto active test. Does rear window defogger operate?	YES	● BCM signal input circuit
		NO	<ul style="list-style-type: none"> <li>● Rear window defogger relay circuit</li> <li>● Open circuit of rear window defogger</li> <li>● IPDM E/R malfunction</li> </ul>
Any of front wipers, tail and parking lamps, front fog lamps, and head lamps (Hi, Lo) do not operate.	Perform auto active test. Does system in question operate?	YES	● BCM signal input system
		NO	<ul style="list-style-type: none"> <li>● Lamp/wiper motor malfunction</li> <li>● Lamp/wiper motor ground circuit malfunction</li> <li>● Harness/connector malfunction between IPDM E/R and system in question</li> <li>● IPDM E/R (integrated relay) malfunction</li> </ul>
A/C compressor does not operate.	Perform auto active test. Does magnetic clutch operate?	YES	<ul style="list-style-type: none"> <li>● BCM signal input circuit</li> <li>● CAN communication signal between BCM and ECM.</li> <li>● CAN communication signal between ECM and IPDM E/R</li> </ul>
		NO	<ul style="list-style-type: none"> <li>● Magnetic clutch malfunction</li> <li>● Harness/connector malfunction between IPDM E/R and magnetic clutch</li> <li>● IPDM E/R (integrated relay) malfunction</li> </ul>
Cooling fan does not operate.	Perform auto active test. Does cooling fan operate?	YES	<ul style="list-style-type: none"> <li>● ECM signal input circuit</li> <li>● CAN communication signal between ECM and IPDM E/R</li> </ul>
		NO	<ul style="list-style-type: none"> <li>● Cooling fan motor malfunction</li> <li>● Harness/connector malfunction between IPDM E/R and cooling fan motor</li> <li>● IPDM E/R (integrated relay) malfunction</li> </ul>

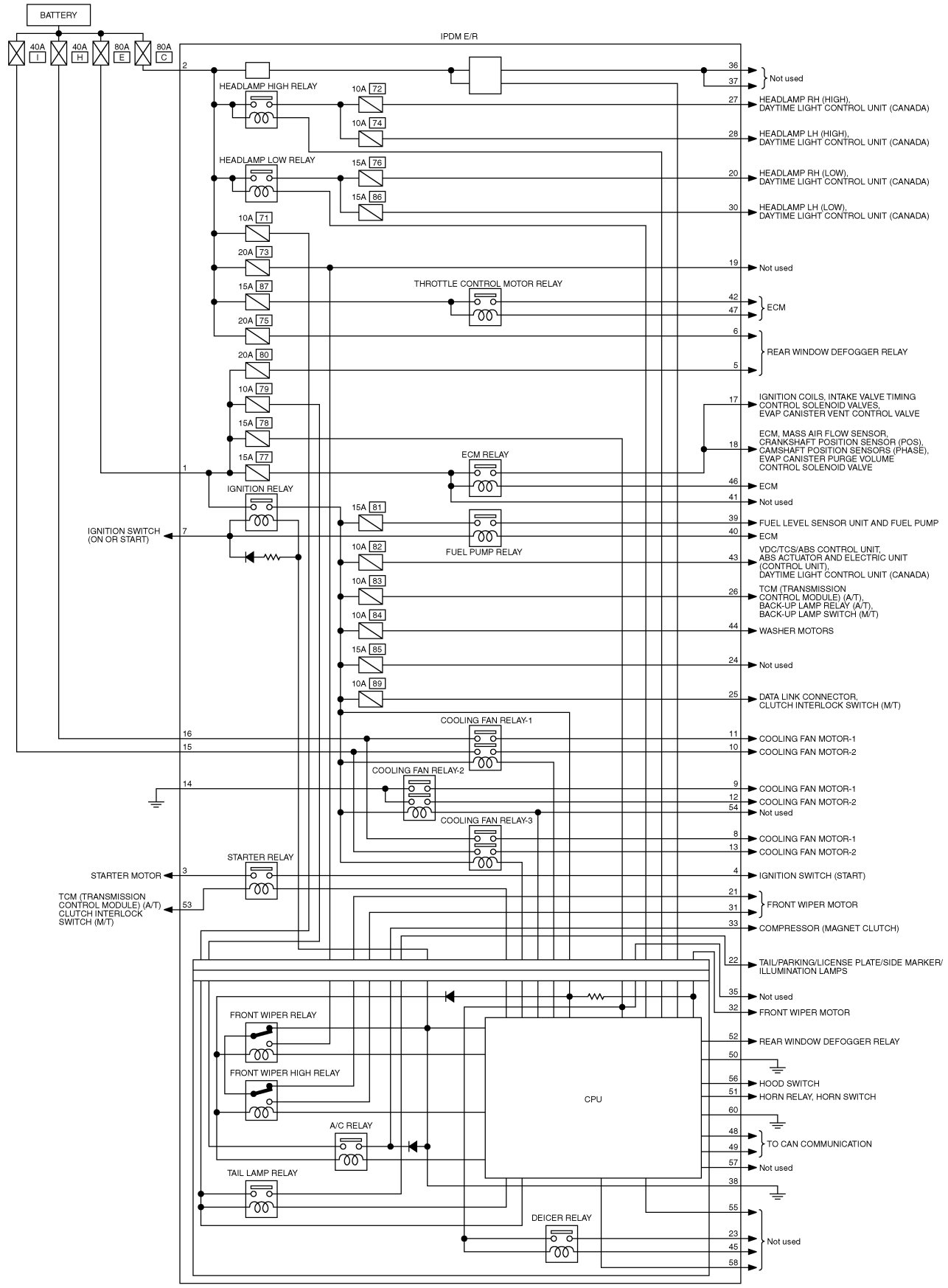


# IPDM E/R (INTELLIGENT POWER DISTRIBUTION MODULE ENGINE ROOM)

## Schematic

AKS00A2N

A  
B  
C  
D  
E  
F  
G  
H  
I  
J  
L  
M

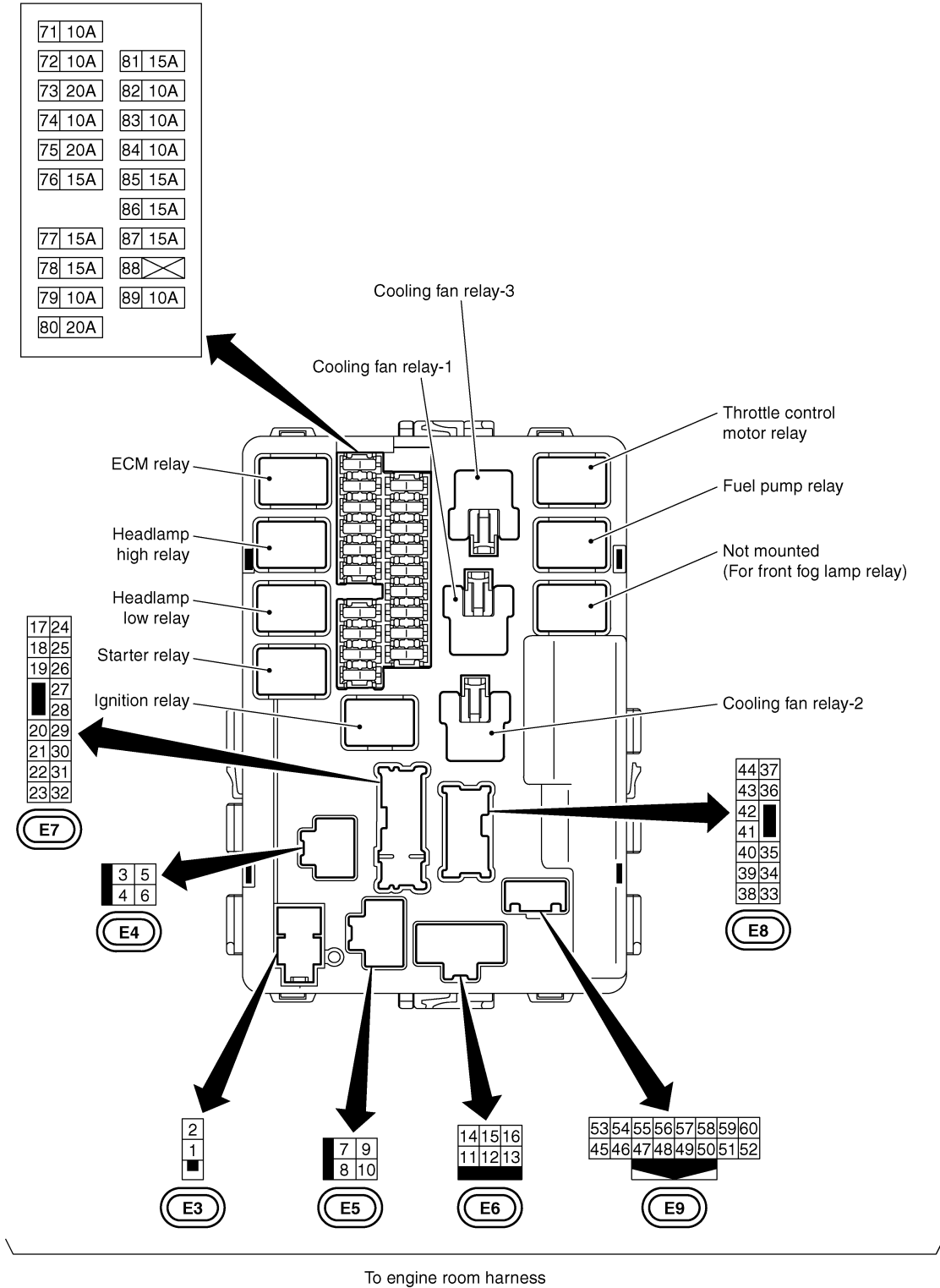


PG

TKWT2351E

IPDM E/R Terminal Arrangement

AKS00A20



CKIT0537E

# IPDM E/R (INTELLIGENT POWER DISTRIBUTION MODULE ENGINE ROOM)

## IPDM E/R Power/Ground Circuit Inspection

AKS00A2P

### 1. CHECK FUSE AND FUSIBLE LINK

Make sure the following fusible links or IPDM E/R fuses are not blown.

Terminal No.	Signal name	Fuse and fusible link No.
1, 2	Battery power	C
		E
		71
		78

OK or NG

OK >> GO TO 2.

NG >> If fuse or fusible link is blown, be sure to eliminate cause of malfunction before installing new fuse or fusible link.

### 2. CHECK POWER SUPPLY CIRCUIT

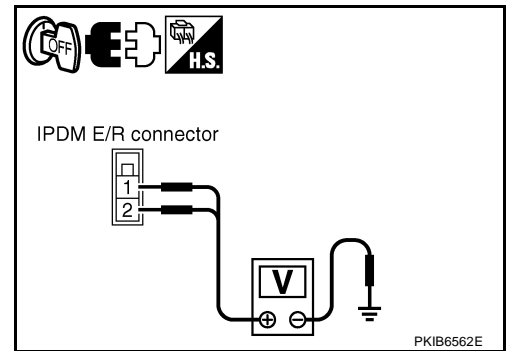
1. Turn ignition switch OFF.
2. Disconnect IPDM E/R harness connector E3.
3. Check voltage between IPDM E/R harness connector E3 terminals 1 (W), 2 (W/L) and ground.

**1, 2 – Ground : Battery voltage**

OK or NG

OK >> GO TO 3.

NG >> Replace IPDM E/R power supply circuit harness.



### 3. CHECK GROUND CIRCUIT

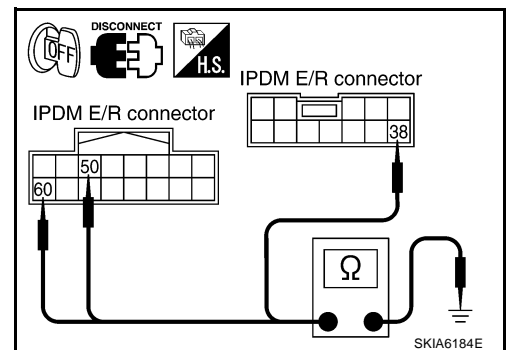
1. Disconnect IPDM E/R harness connectors E8 and E9.
2. Check continuity between IPDM E/R harness connectors E8 terminal 38 (B), E9 terminal 50 (B), 60 (B) and ground.

**38, 50, 60 – Ground : Continuity should exist.**

OK or NG

OK >> INSPECTION END

NG >> Replace ground circuit harness of IPDM E/R.



## Inspection With CONSULT-II (Self-Diagnosis)

AKS00A2Q

### CAUTION:

If CONSULT-II is used with no connection of CONSULT-II CONVERTER, malfunctions might be detected in self-diagnosis depending on control unit which carry out CAN communication.

### 1. CHECK SELF DIAGNOSTIC RESULT

1. Connect CONSULT-II and select "IPDM E/R" on the Diagnosis System Selection screen.
2. Select "SELF-DIAG RESULTS" on the "SELECT DIAG MODE" screen.
3. Check display content in self diagnostic results.

CONSULT-II display	CONSULT-II display code	TIME		Details of diagnosis result
		CRNT	PAST	
NO DTC IS DETECTED. FURTHER TESTING MAY BE REQUIRED.	-	-	-	No malfunction
CAN COMM CIRC	U1000	×	×	Any of or several items below have errors. <ul style="list-style-type: none"> <li>● TRANSMIT DIAG</li> <li>● ECM</li> <li>● BCM/SEC</li> </ul>

#### NOTE:

The details for display of the period are as follows:

- CRNT: Error currently detected with IPDM E/R.
- PAST: Error detected in the past and memorized with IPDM E/R.

#### Contents displayed

NO DTC IS DETECTED.FURTHER TESTING MAY BE REQUIRED.>>INSPECTION END

CAN COMM CIRC>>After print-out of the monitor items, refer to [LAN-3, "Precautions When Using CONSULT-II"](#) .

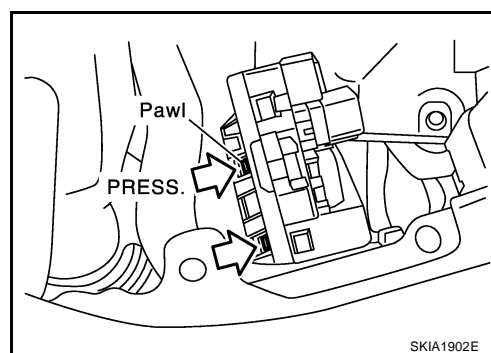
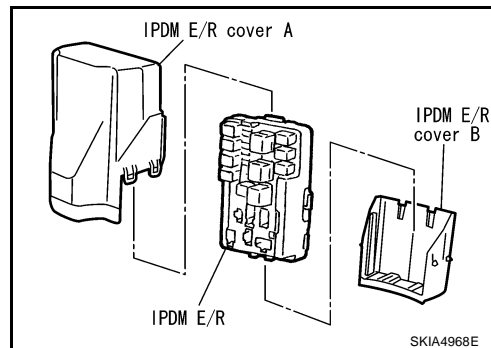
# IPDM E/R (INTELLIGENT POWER DISTRIBUTION MODULE ENGINE ROOM)

## Removal and Installation of IPDM E/R

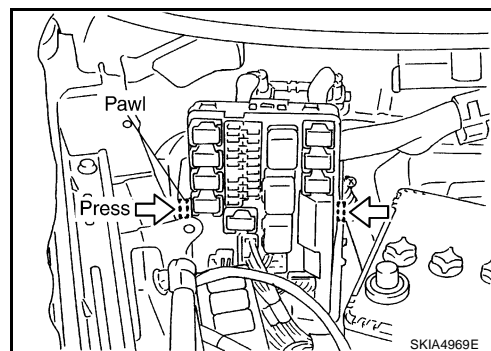
AKS00A2R

### REMOVAL

1. Remove battery. Refer to [SC-9, "Removal and Installation"](#) in "Starting and Charging System (SC)" section.
2. Remove IPDM E/R cover A. While pressing pawl on backside of IPDM E/R cover B toward vehicle front to unlock, lift up IPDM E/R.



3. While pressing pawls on right and left side of IPDM E/R, remove IPDM E/R cover B from IPDM E/R.
4. Remove harness connector from IPDM E/R.



### INSTALLATION

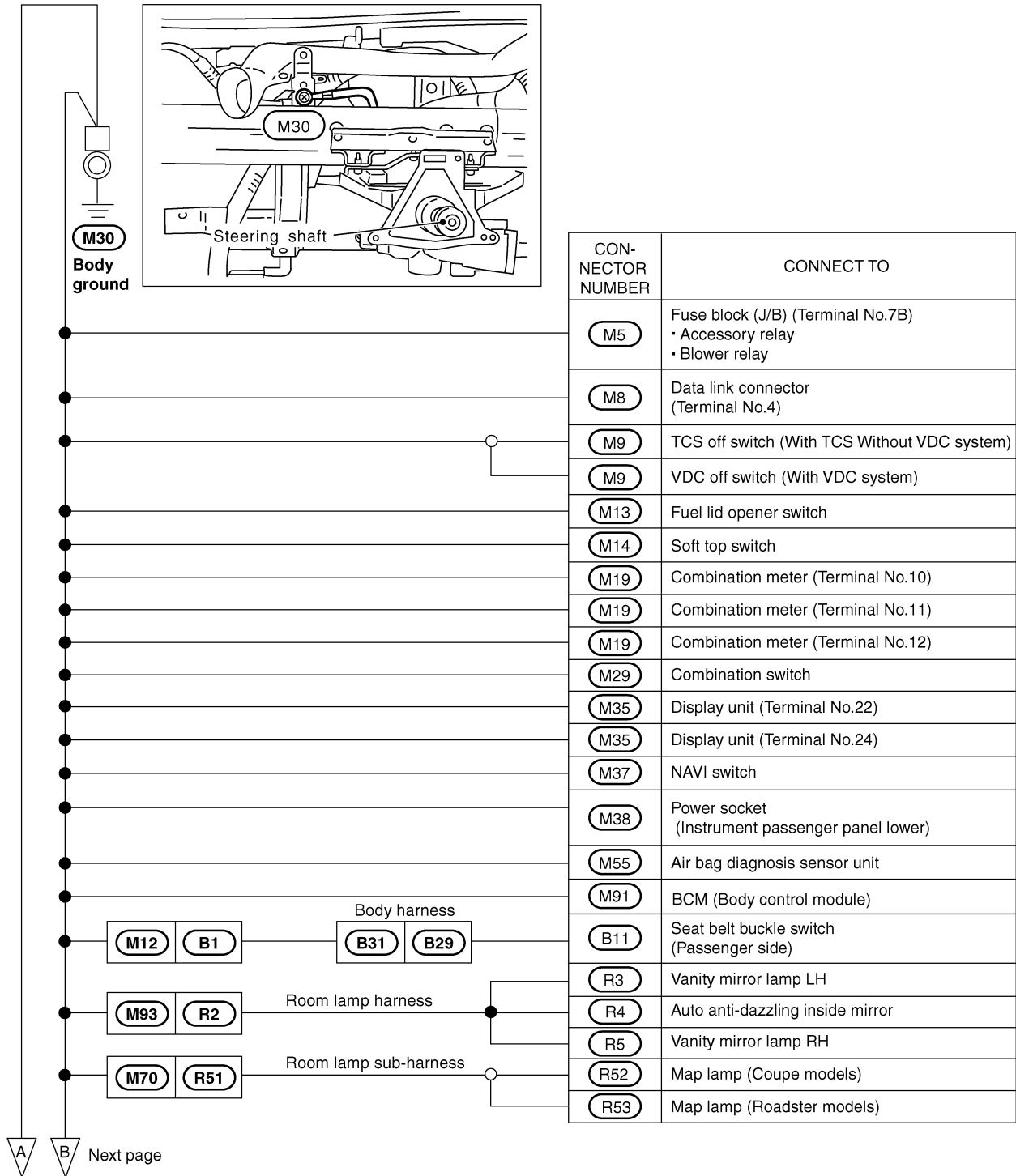
Installation is the reverse order of removal.

A  
B  
C  
D  
E  
F  
G  
H  
I  
J  
PG  
L  
M

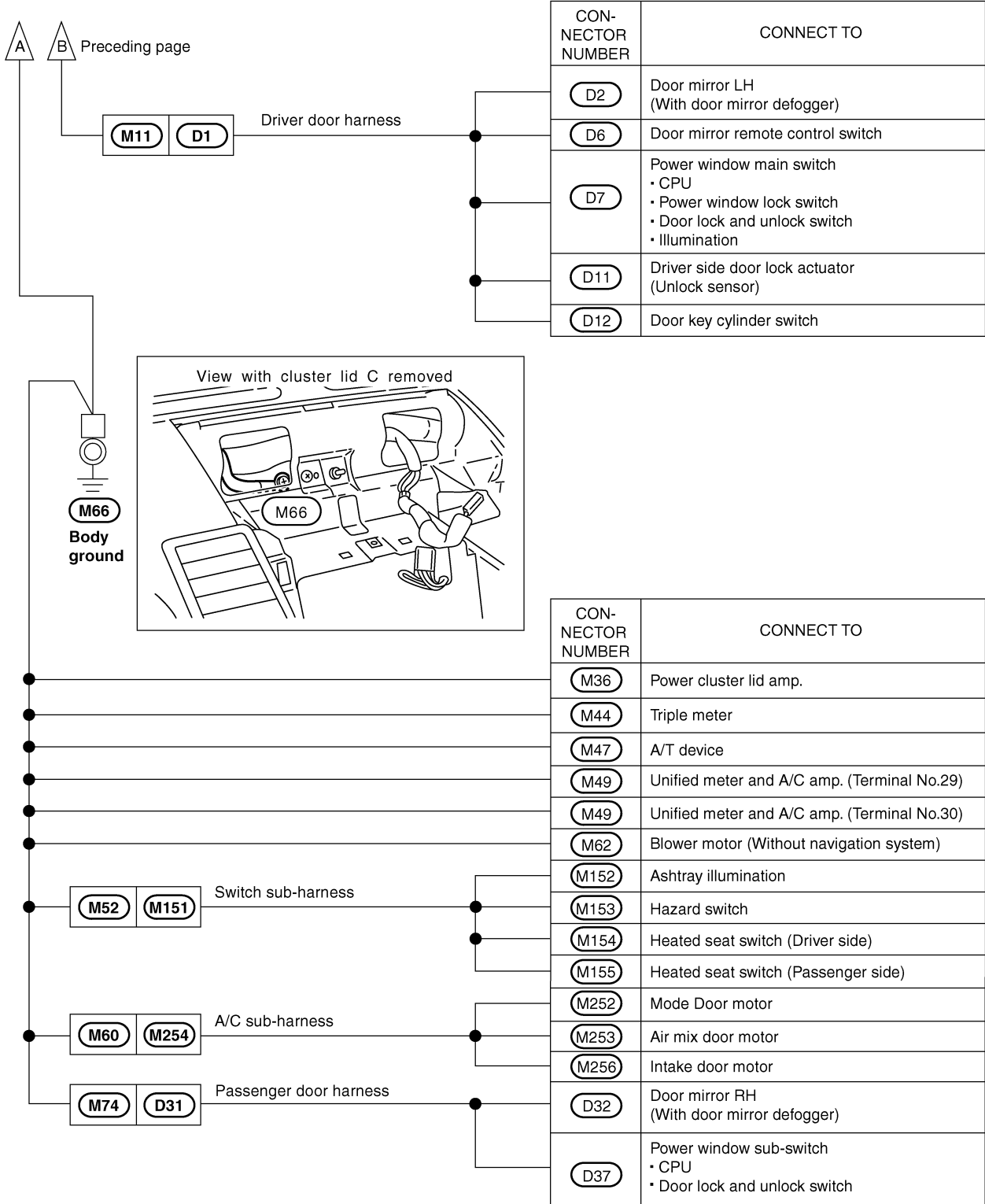
## GROUND

### Ground Distribution MAIN HARNESS

AKS0012P



# GROUND

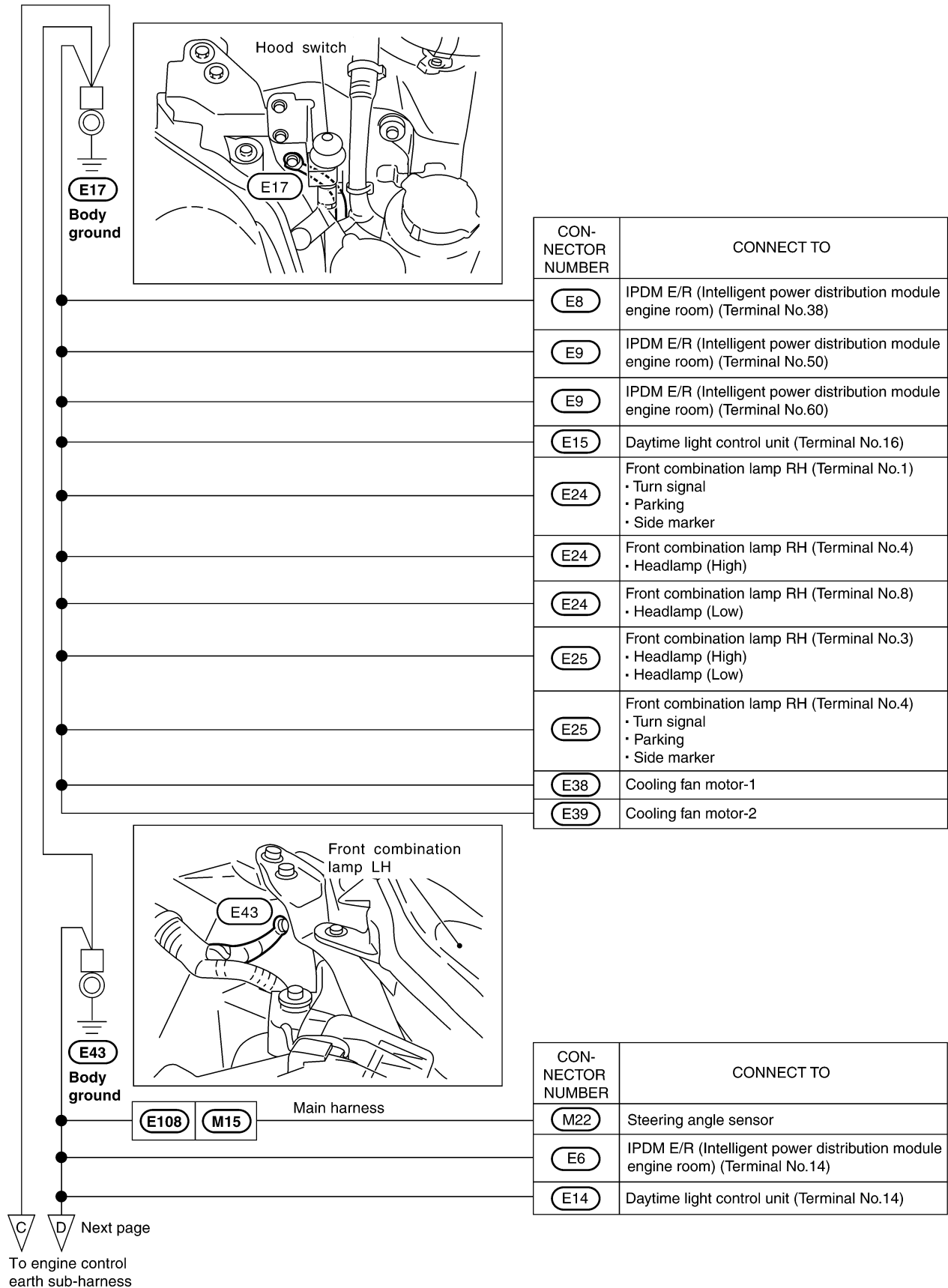


A  
B  
C  
D  
E  
F  
G  
H  
I  
J  
PG  
L  
M

CKIT0539E

# GROUND

## ENGINE ROOM HARNESS

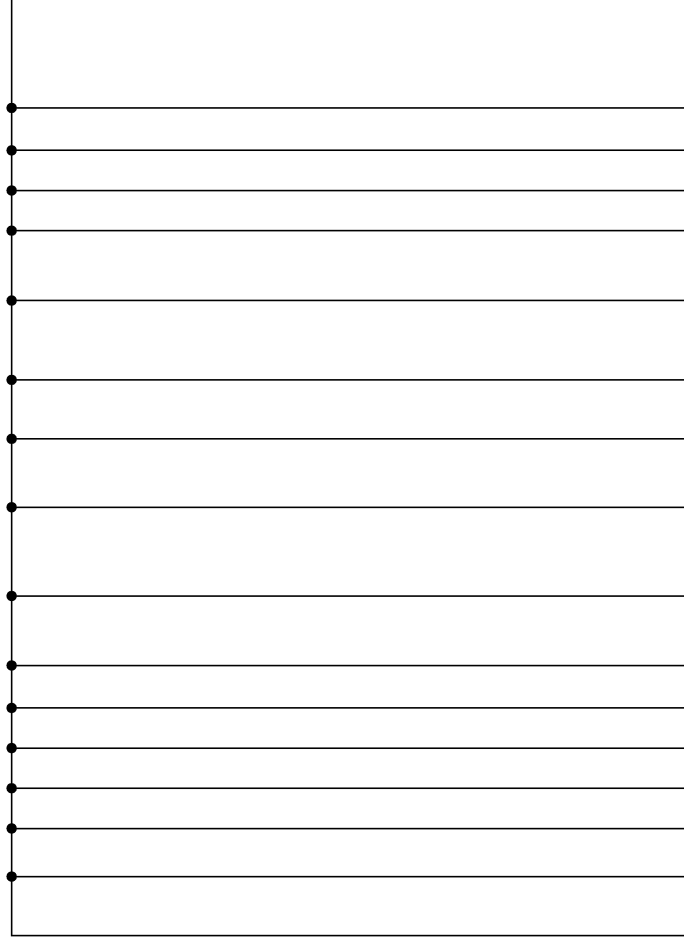


CKIT0456E



# GROUND

D Preceding page



CON- NECTOR NUMBER	CONNECT TO
E23	Hood switch
E30	Washer level sensor
E33	Horn (Low)
E36	Horn (High)
E40	Front combination lamp LH (Terminal No. 1) • Turn signal • Parking • Side marker
E40	Front combination lamp LH (Terminal No. 4) • Headlamp (High) (For U.S.A.)
E40	Front combination lamp LH (Terminal No. 8) • Headlamp (Low)
E41	Front combination lamp LH (Terminal No. 3) • Headlamp (High) (For U.S.A.) • Headlamp (Low) (For U.S.A.)
E41	Front combination lamp LH (Terminal No. 4) • Turn signal • Parking • Side marker
E44	Brake fluid level switch
E51	ABS actuator and electric unit (Terminal No. 16)
E51	ABS actuator and electric unit (Terminal No. 30)
E52	Front wiper motor
E111	Stop lamp switch (With A/T)
E118	VDC/TCS/ABS control unit (Terminal No. 28)
E118	VDC/TCS/ABS control unit (Terminal No. 29)

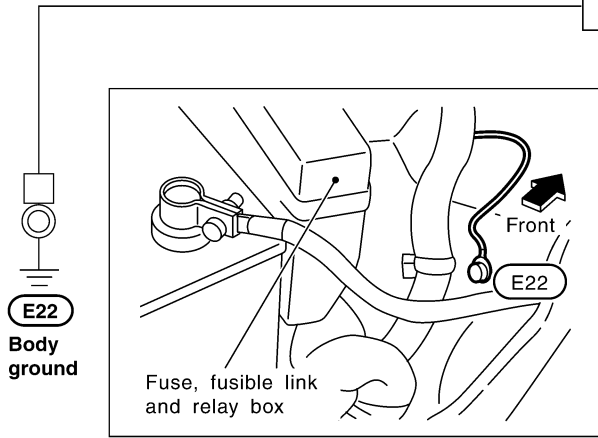
A  
B  
C  
D  
E  
F  
G  
H  
I  
J  
L  
M

PG

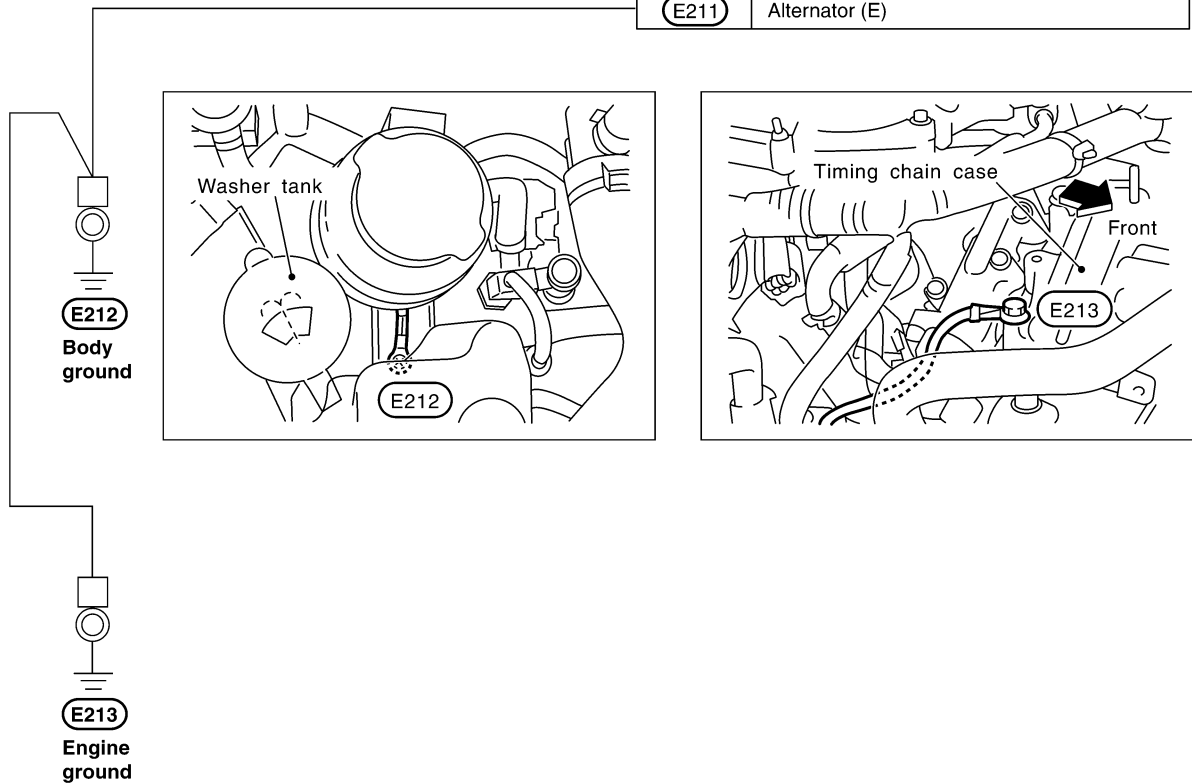
CKIB0202E

# GROUND

CON-NECTOR NUMBER	CONNECT TO
<b>E37</b>	Shield wire (Crash zone sensor)



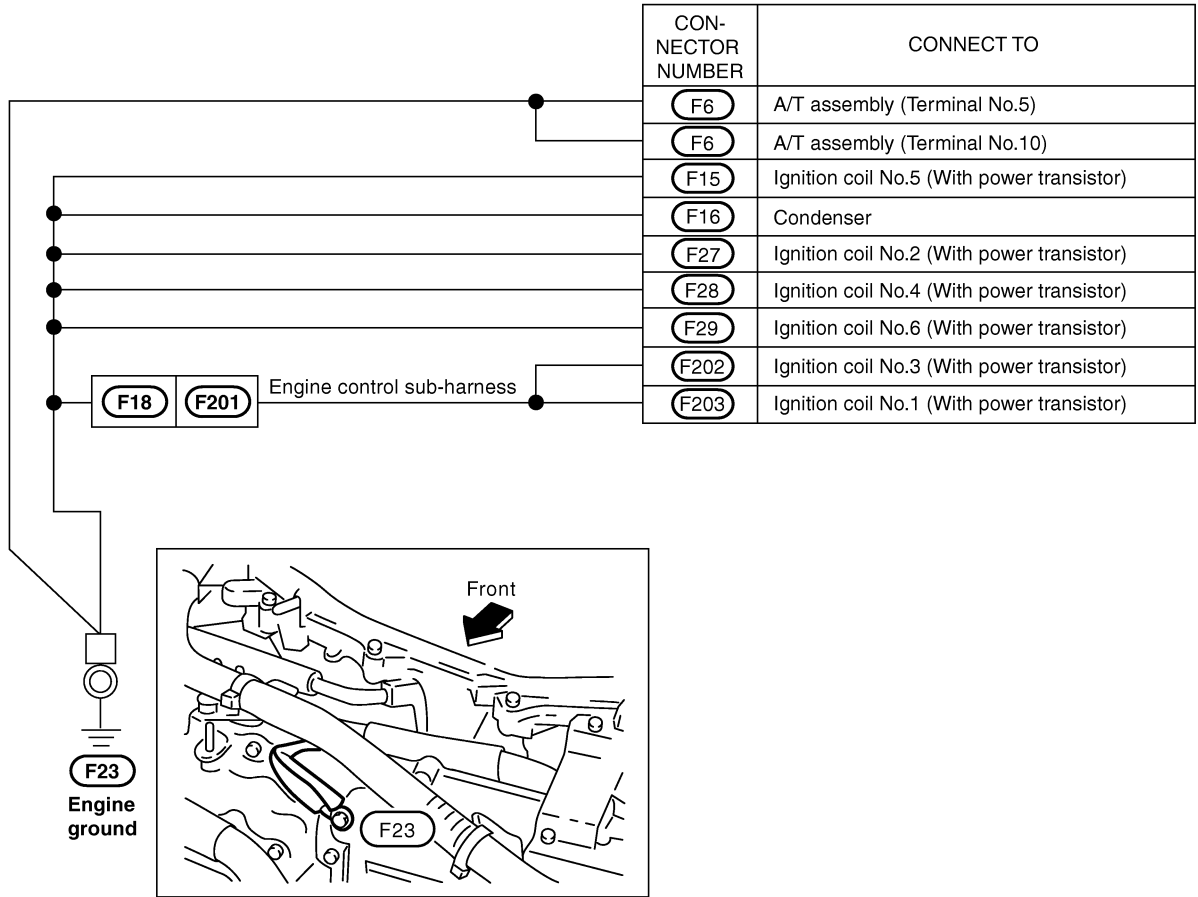
CON-NECTOR NUMBER	CONNECT TO
<b>E211</b>	Alternator (E)



CKIT0170E

# GROUND

## ENGINE CONTROL HARNESS

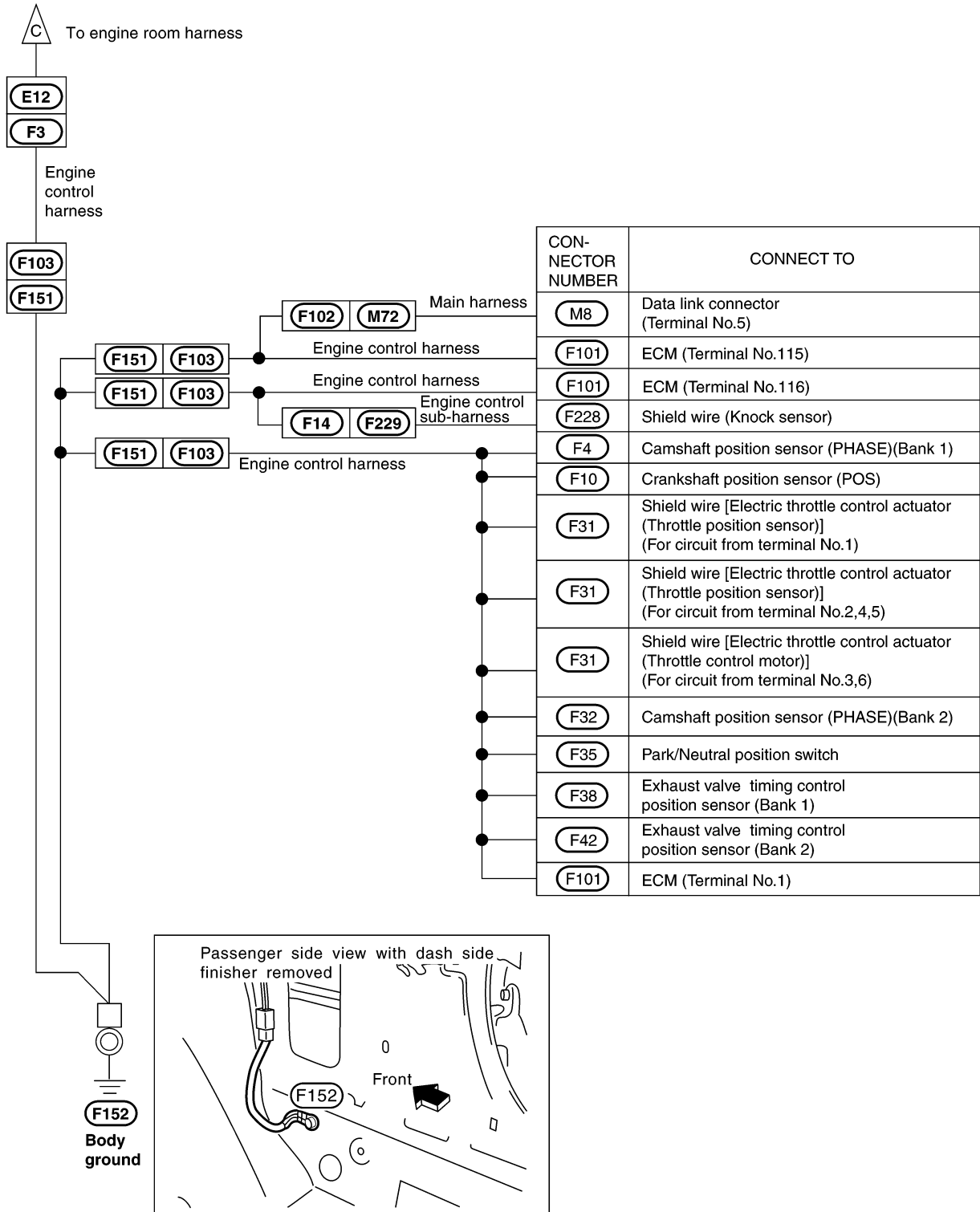


A  
B  
C  
D  
E  
F  
G  
H  
I  
J  
PG  
L  
M

PG

CKIB0204E

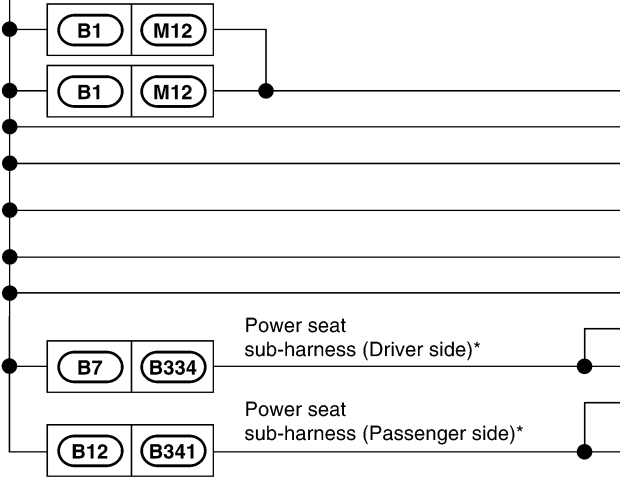
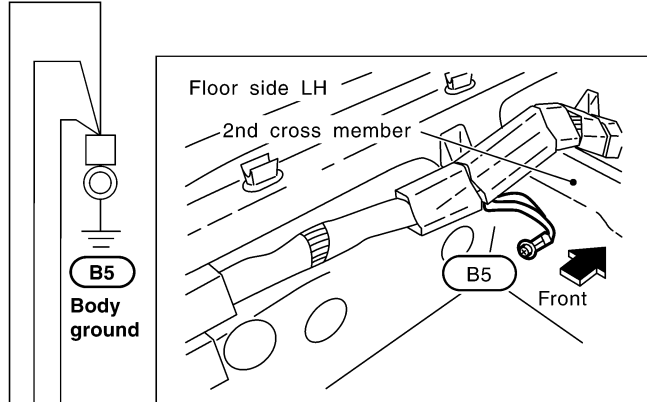
# GROUND



CKIT0646E

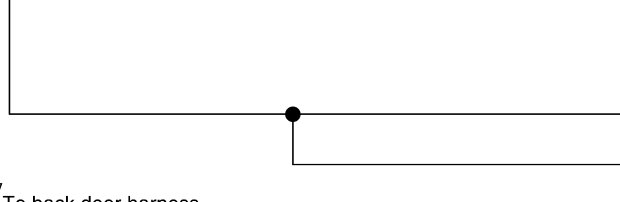
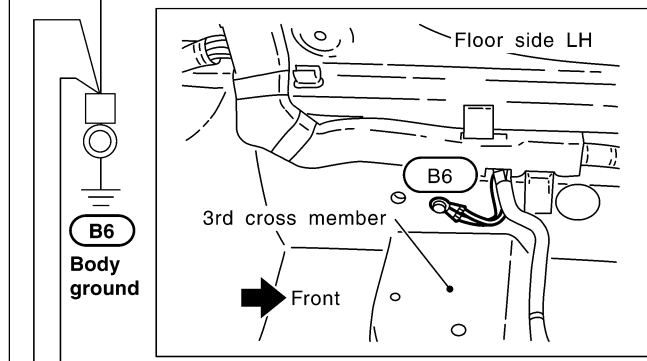
# GROUND

## BODY HARNESS Coupe Models

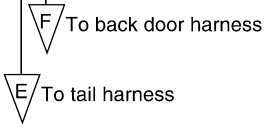


CON-NECTOR NUMBER	CONNECT TO
M62	Blower motor (With navigation system)
B8	Seat belt buckle switch (Driver side)
B26	Condenser
B27	Fuel level sensor unit and fuel pump (Fuel pump)
B37	Heated seat relay
B41	Luggage floor box lamp
B326	Power seat switch (Driver side)
B332	Seat cushion heater (Driver side)
B342	Power seat switch (Passenger side)
B351	Seat cushion heater (Passenger side)

\* : This sub-harness is not shown in "HARNESS LAYOUT".

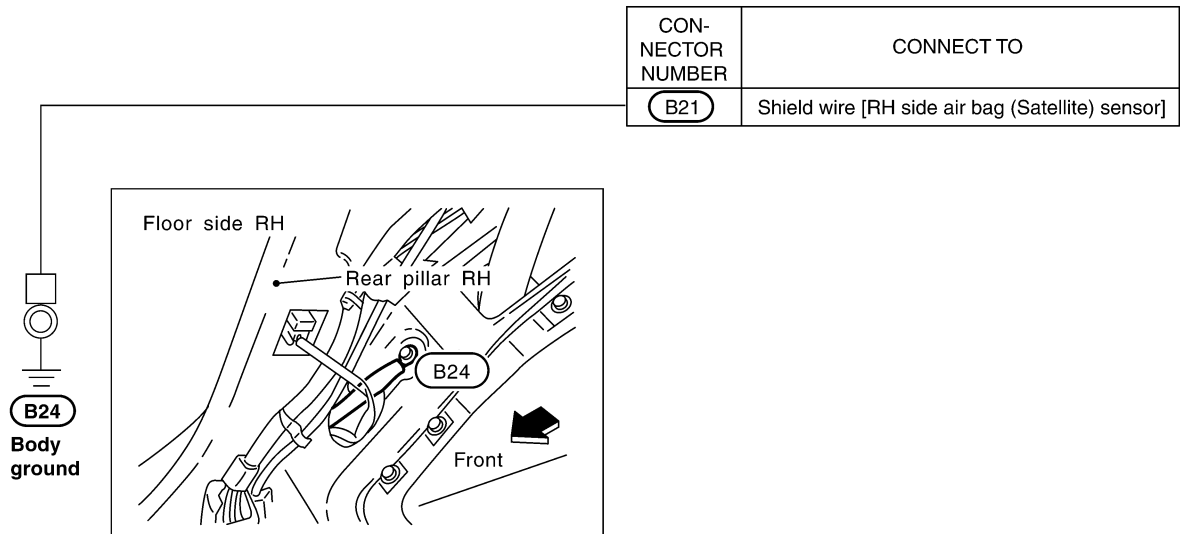
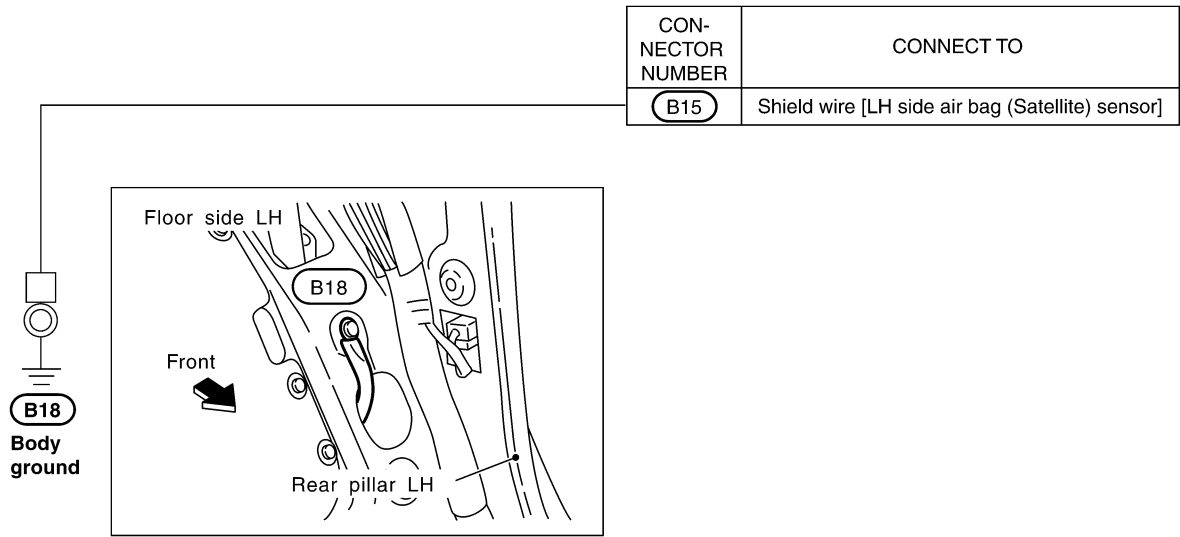


CON-NECTOR NUMBER	CONNECT TO
B32	Woofer amp.
B36	Power socket (Luggage floor finisher lower)



A  
B  
C  
D  
E  
F  
G  
H  
I  
J  
PG  
L  
M

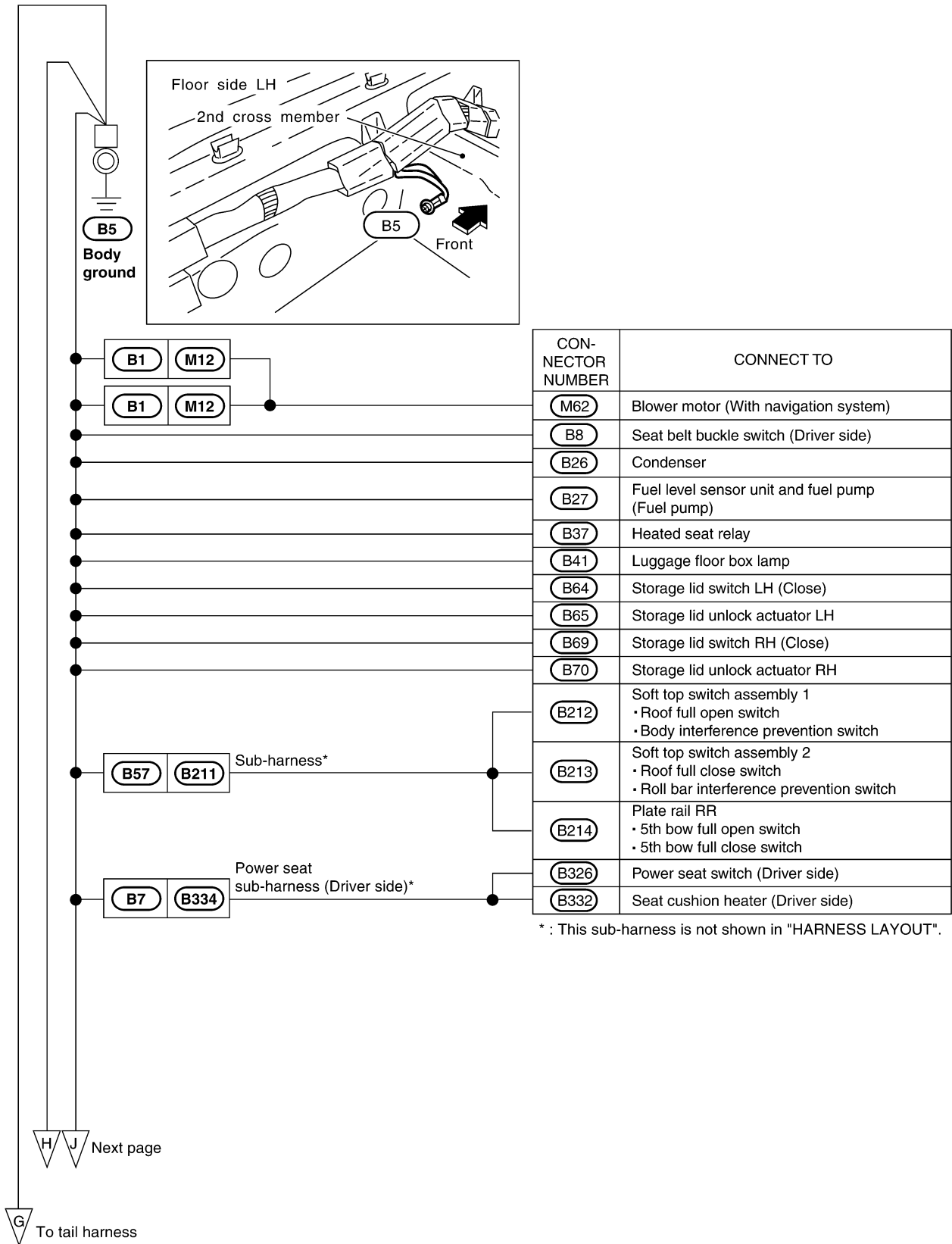
# GROUND



CKIT0174E

# GROUND

## Roadster Models

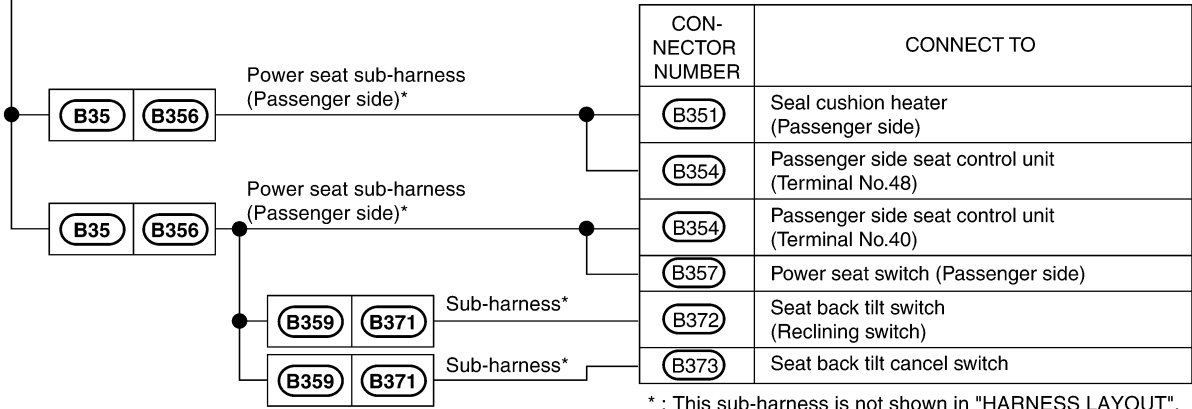


A  
B  
C  
D  
E  
F  
G  
H  
I  
J  
PG  
L  
M

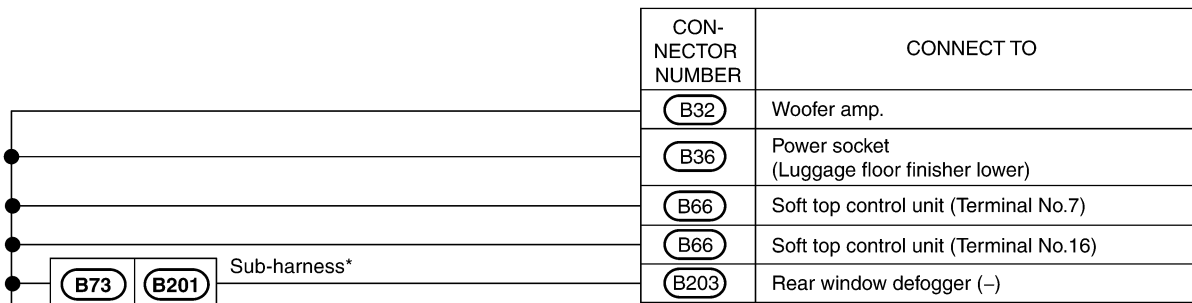
CKIT0460E

# GROUND

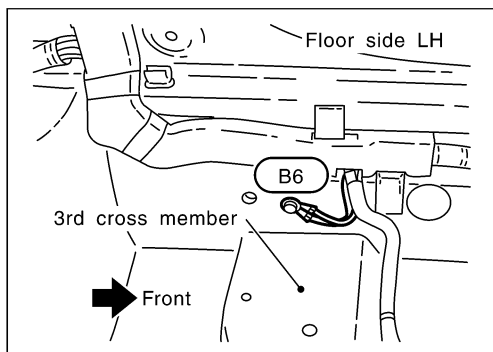
H
J
 Preceding page



\* : This sub-harness is not shown in "HARNESS LAYOUT".



\*This sub-harness is not shown in "HARNESS LAYOUT".



B6  
 Body ground

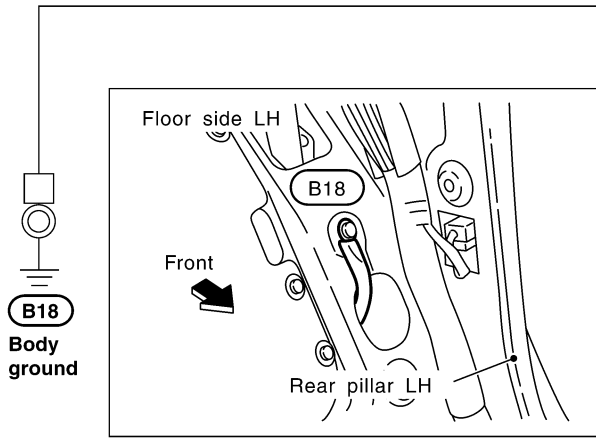
CKIT0470E



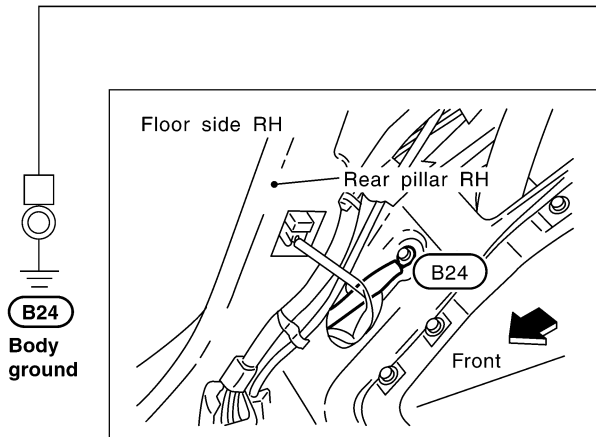
# GROUND

A  
B  
C  
D  
E  
F  
G  
H  
I  
J  
PG  
L  
M

CON-NECTOR NUMBER	CONNECT TO
<b>B15</b>	Shield wire [LH side air bag (Satellite) sensor]



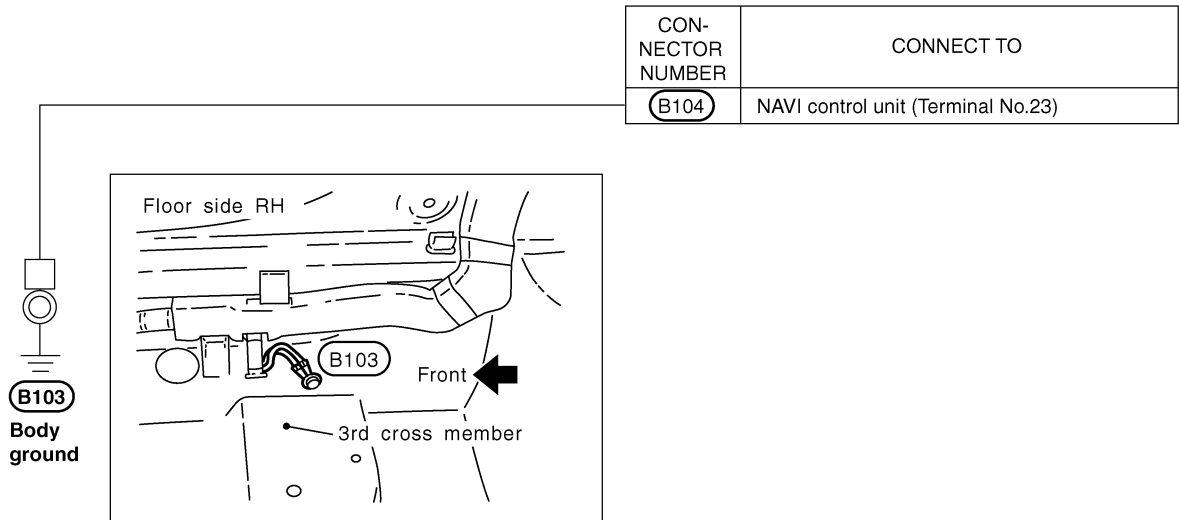
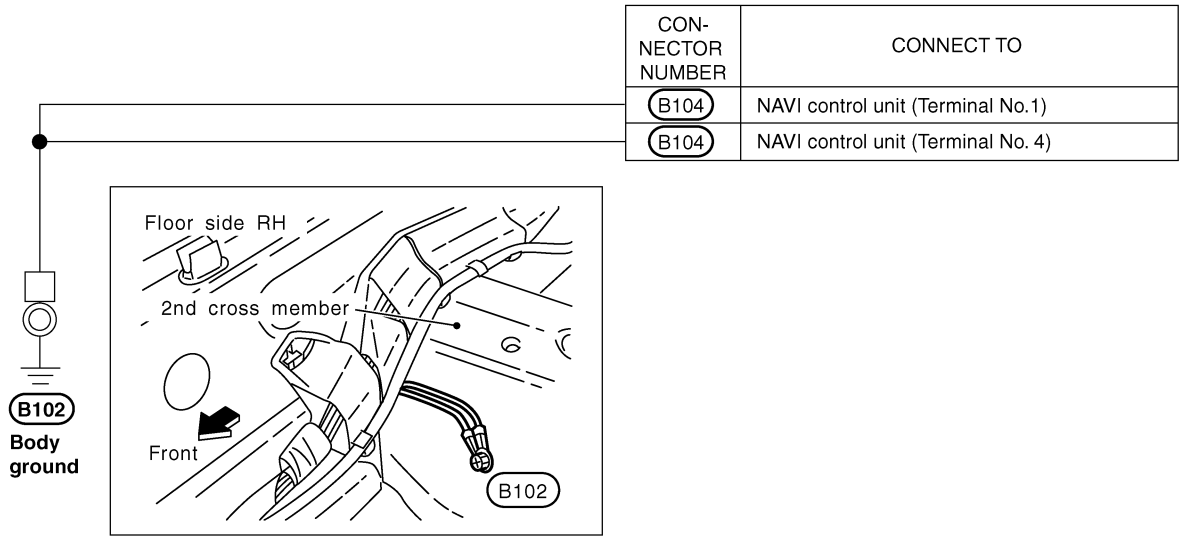
CON-NECTOR NUMBER	CONNECT TO
<b>B21</b>	Shield wire [RH side air bag (Satellite) sensor]



CKIT0174E

# GROUND

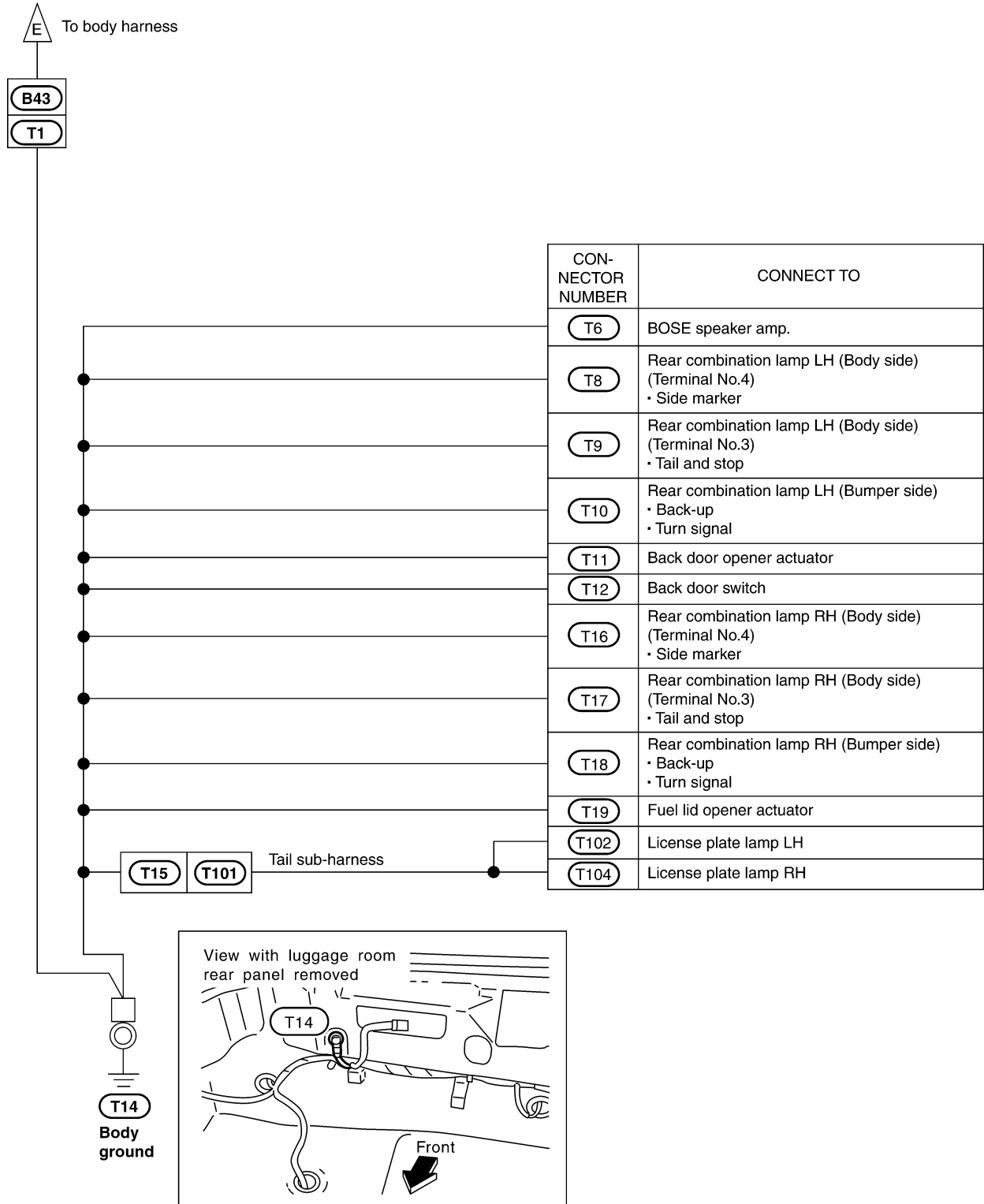
## BODY NO. 2 HARNESS



CKIT0540E

# GROUND

## TAIL HARNESS Coupe Models



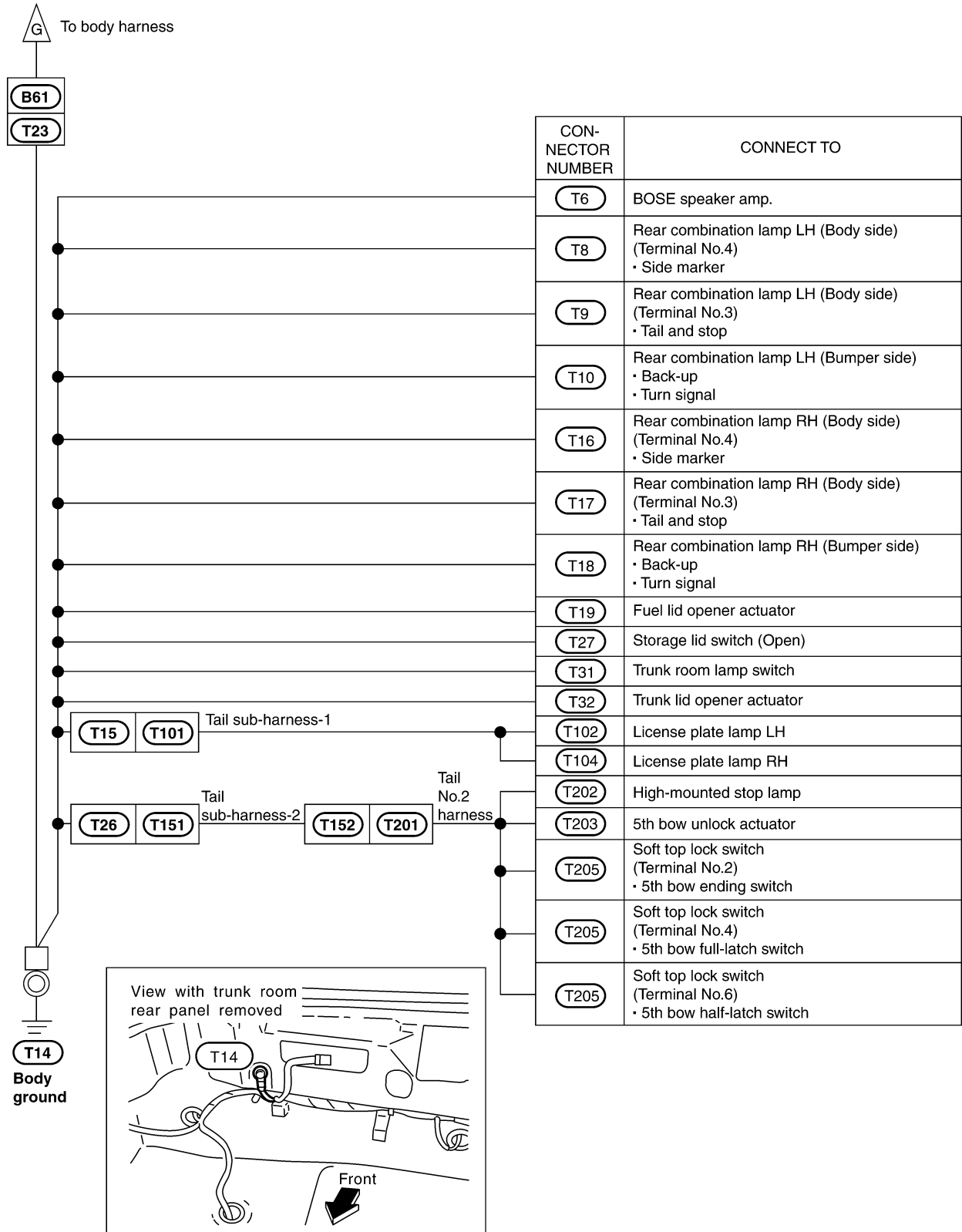
A  
B  
C  
D  
E  
F  
G  
H  
I  
J  
PG  
L  
M

PG

CKIT0462E

# GROUND

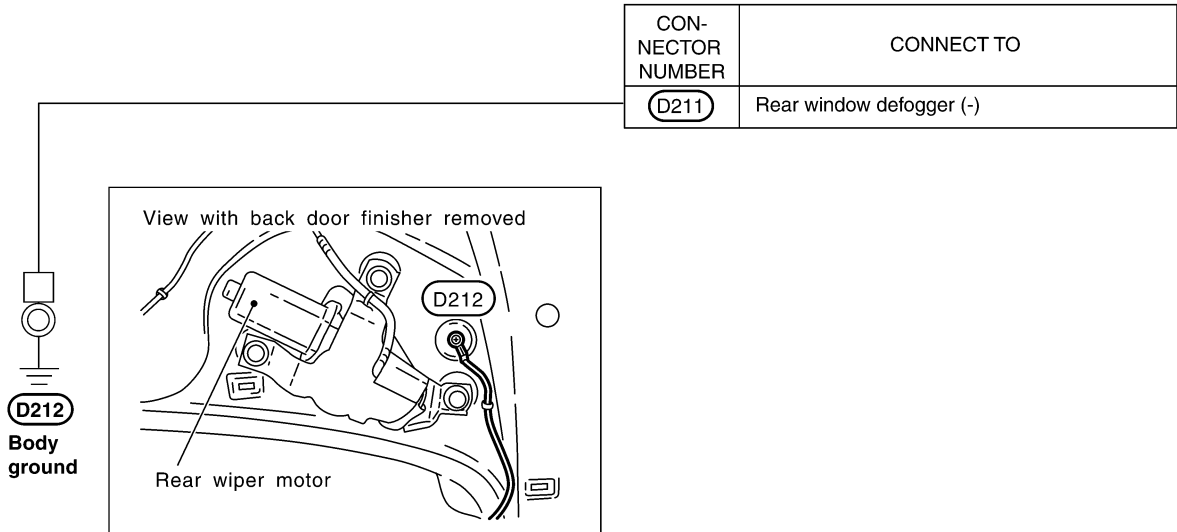
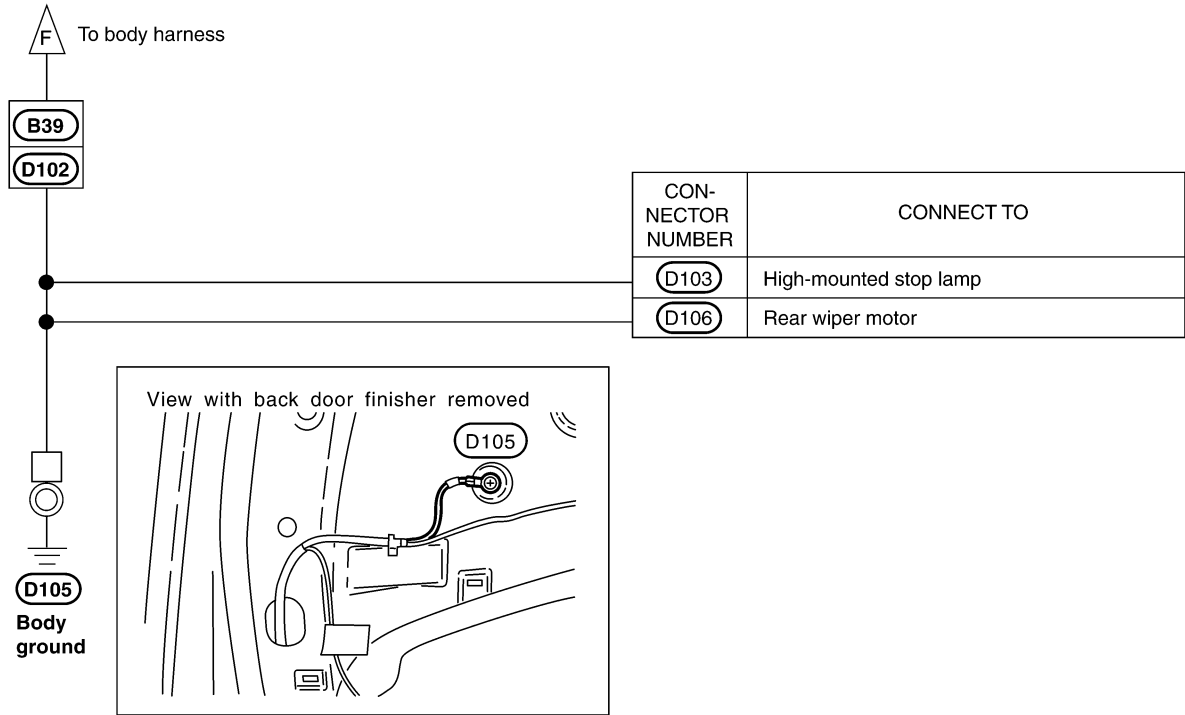
## Roadster Models



CKIT0471E

# GROUND

## BACK DOOR HARNESS



A  
B  
C  
D  
E  
F  
G  
H  
I  
J  
PG  
L  
M

CKIT0464E

# HARNESS

## HARNESS

PFP:00011

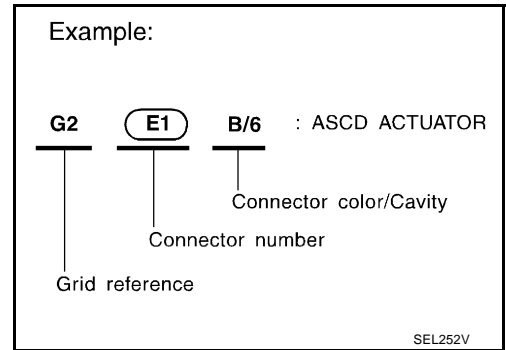
### Harness Layout

AKS0012Q

#### HOW TO READ HARNESS LAYOUT

The following Harness Layouts use a map style grid to help locate connectors on the figures:

- Main Harness
- Engine Room Harness (Engine Compartment)
- Engine Control Harness (Engine Compartment)
- Body Harness
- Tail Harness



#### To Use the Grid Reference

1. Find the desired connector number on the connector list.
2. Find the grid reference.
3. On the figure, find the crossing of the grid reference letter column and number row.
4. Find the connector number in the crossing zone.
5. Follow the line (if used) to the connector.

#### CONNECTOR SYMBOL

Main symbols of connector (in Harness Layout) are indicated in the below.

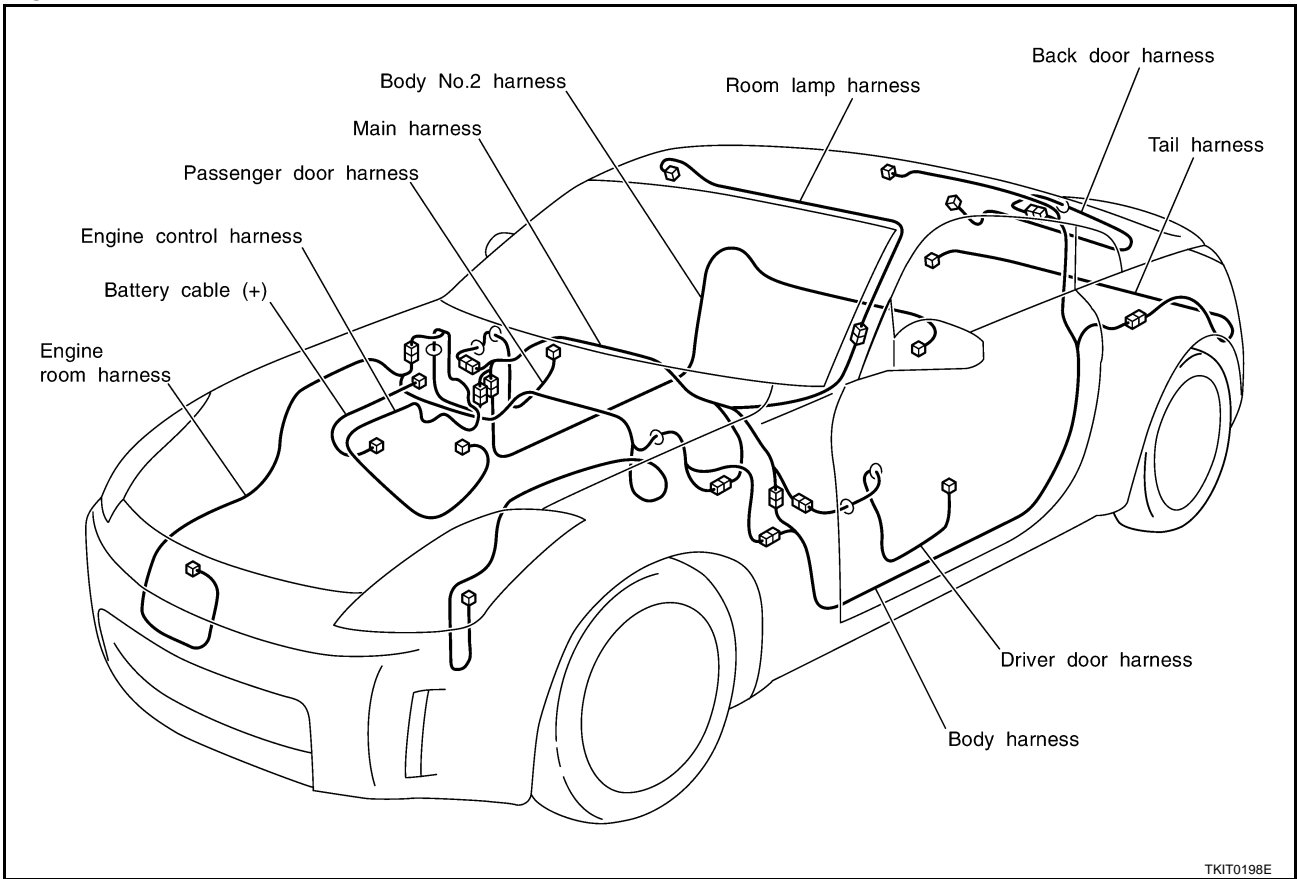
Connector type	Water proof type		Standard type	
	Male	Female	Male	Female
<ul style="list-style-type: none"> <li>• Cavity: Less than 4</li> <li>• Relay connector</li> </ul>				
<ul style="list-style-type: none"> <li>• Cavity: From 5 to 8</li> </ul>				
<ul style="list-style-type: none"> <li>• Cavity: More than 9</li> </ul>				
<ul style="list-style-type: none"> <li>• Ground terminal etc.</li> </ul>	—			

CKIT0108E

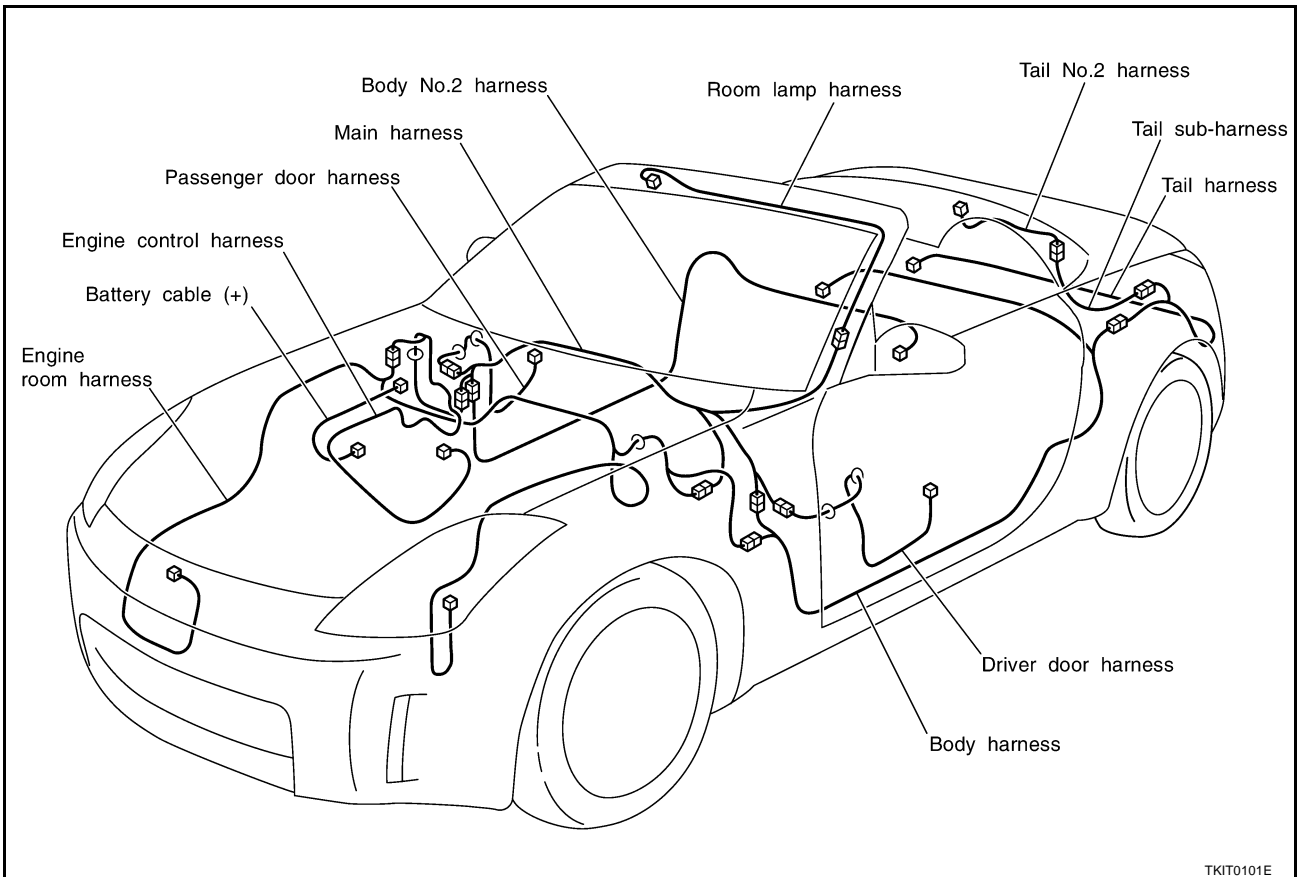
# HARNESS

## OUTLINE

### Coupe Models



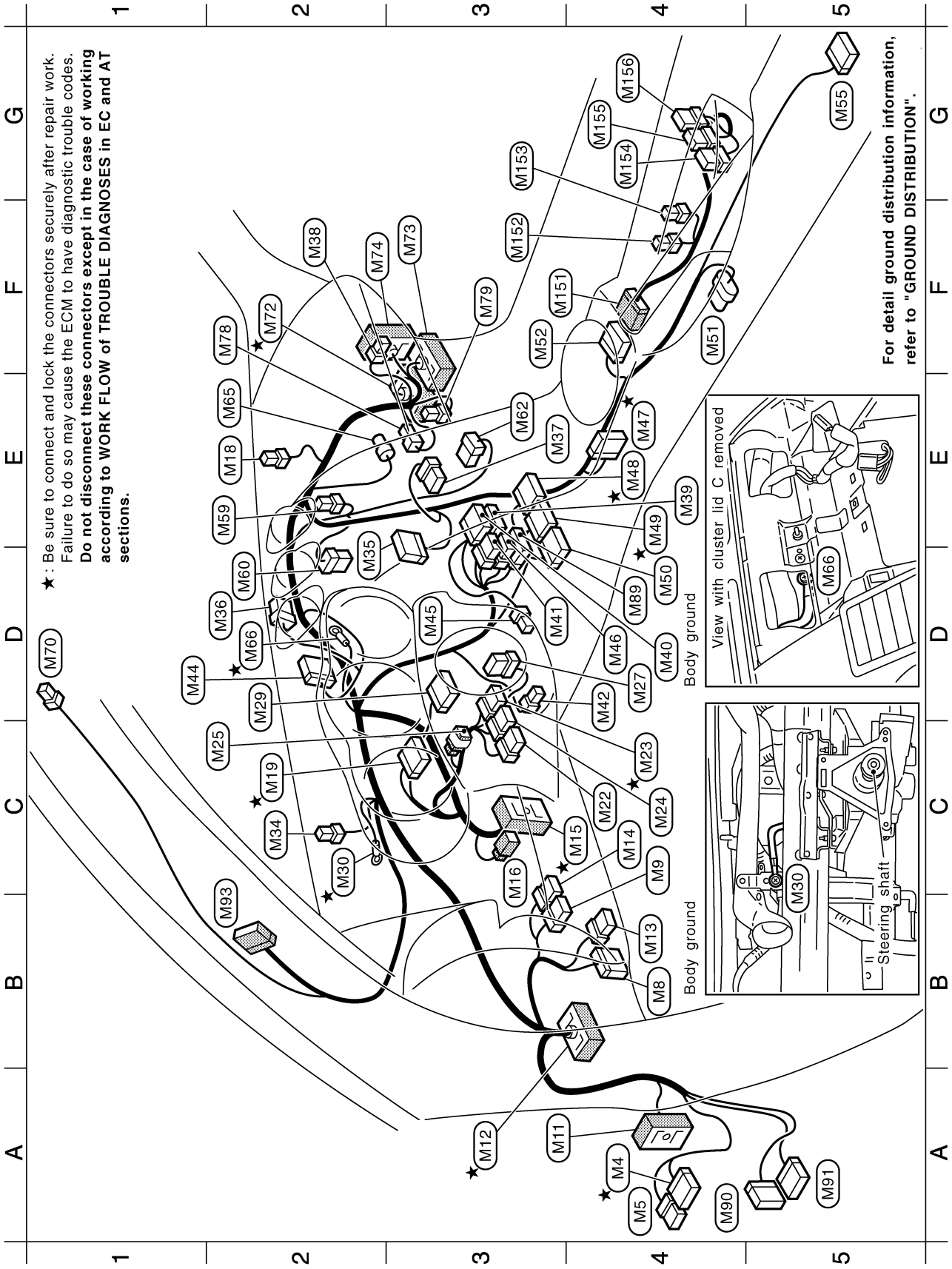
### Roadster Models



A  
B  
C  
D  
E  
F  
G  
H  
I  
J  
PG  
L  
M

# HARNESS

## MAIN HARNESS



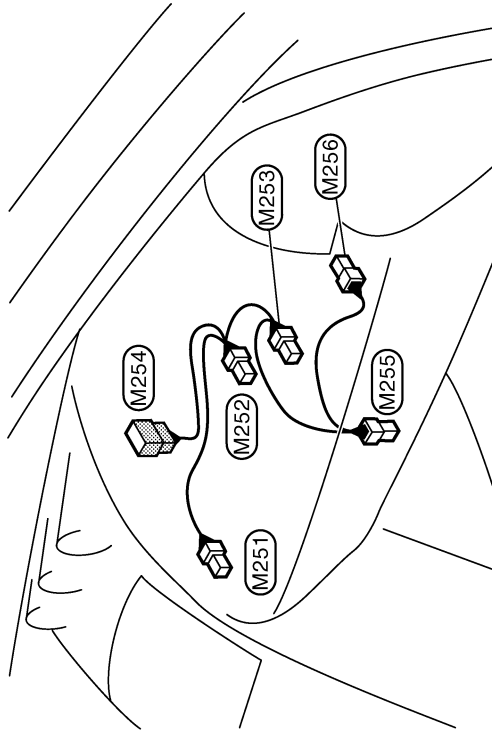
★ : Be sure to connect and lock the connectors securely after repair work. Failure to do so may cause the ECM to have diagnostic trouble codes. Do not disconnect these connectors except in the case of working according to WORK FLOW of TROUBLE DIAGNOSES in EC and AT sections.

For detail ground distribution information, refer to "GROUND DISTRIBUTION".

TKIT0287E



A4	★ (M4)	W/16	: Fuse block (J/B)	: To (M151)	F3	(M52)	W/12	: To (M151)	<b>Switch sub-harness</b>
A4	(M5)	W/8	: Fuse block (J/B)	: Air bag diagnosis sensor unit	G5	(M55)	Y/28	: To (M152)	(M151) W/12 : To (M152)
B4	(M8)	W/16	: Data link connector	: Fuel lid opener relay	E2	(M59)	L/4	: To (M153)	(M152) W/2 : Ashtray illumination
C4	(M9)	GY/6	: VDC off switch (With VDC system)	: VDC off switch (With VDC system)	D2	(M60)	W/6	: To (M154)	(M153) W/4 : Hazard switch
		GY/6	: TCS off switch	: TCS off switch	E3	(M62)	W/6	: Blower motor	(M154) W/6 : Heated seat switch (Driver side)
A3	(M11)	SMJ	: To (D1)	: To (D1)	E2	(M65)	Y/4	: Front passenger air bag module	(With heated seat)
A3	★ (M12)	SMJ	: To (B1)	: To (B1)	D2	★ (M66)	—	: Body ground	(With heated seat)
B4	(M13)	GY/6	: Fuel lid opener switch	: Fuel lid opener switch	D1	(M70)	W/4	: To (R51)	(M155) BR/6 : Heated seat switch (Passenger side)
C4	(M14)	W/6	: Soft top switch (For Roadster models)	: Soft top switch (For Roadster models)	F2	★ (M72)	SMJ	: To (F102)	(With heated seat)
C4	★ (M15)	SMJ	: To (E108)	: To (E108)	F3	(M73)	SMJ	: To (B101)	(With heated seat)
C3	(M16)	Y/4	: To (E109)	: To (E109)					(With navigation system)
E2	(M18)	B/2	: Sunload sensor	: Sunload sensor	F2	(M74)	SMJ	: To (D31)	G4 (M156) W/6 : Not used
C2	★ (M19)	W/24	: Combination meter	: Combination meter	F2	(M78)	W/4	: Remote keyless entry receiver	<b>A/C sub-harness</b>
C4	(M22)	W/8	: Steering angle sensor (For VDC system)	: Steering angle sensor (For VDC system)	F3	(M79)	W/2	: Tire pressure warning check connector	(M251) W/3 : Not used
C4	★ (M23)	GY/8	: Combination switch (Spiral cable)	: Combination switch (Spiral cable)	D4	(M89)	W/12	: Audio unit (With BOSE system)	(M252) W/3 : Mode door motor
C4	(M24)	Y/6	: Combination switch (Spiral cable)	: Combination switch (Spiral cable)	A4	(M90)	W/40	: BCM (Body control module)	(M253) W/3 : Air mix door motor
C2	(M25)	BR/2	: Key switch	: Key switch	A5	(M91)	B/15	: BCM (Body control module)	(M254) W/6 : To (M60)
D4	(M27)	W/8	: NATS antenna amp.	: NATS antenna amp.	B2	(M93)	W/12	: To (R2)	(M255) W/4 : Intake sensor
D2	(M29)	W/16	: Combination switch	: Combination switch					(M256) W/3 : Intake door motor
C2	★ (M30)	—	: Body ground	: Body ground					
C2	(M34)	BR/2	: Security indicator lamp	: Security indicator lamp					
D2	(M35)	GY/24	: Display unit (With navigation system)	: Display unit (With navigation system)					
D2	(M36)	W/8	: Power cluster lid amp. (With navigation system)	: Power cluster lid amp. (With navigation system)					
E3	(M37)	W/8	: NAVI switch (With navigation system)	: NAVI switch (With navigation system)					
F2	(M38)	B/2	: Power socket	: Power socket					
E4	(M39)	W/16	: Audio unit (With navigation system or with BOSE system)	: Audio unit (With navigation system or with BOSE system)					
D4	(M40)	W/10	: Audio unit	: Audio unit					
D3	(M41)	W/6	: Audio unit	: Audio unit					
D4	(M42)	W/2	: In-vehicle sensor	: In-vehicle sensor					
D1	(M44)	W/12	: Triple meter	: Triple meter					
D3	(M45)	BR/2	: Antenna amp. (Via sub-harness)	: Antenna amp. (Via sub-harness)					
D4	(M46)	BR/8	: Audio unit (With navigation system)	: Audio unit (With navigation system)					
E4	★ (M47)	W/10	: AT device (For A/T)	: AT device (For A/T)					
E4	★ (M48)	GY/20	: Unified meter and A/C amp.	: Unified meter and A/C amp.					
E4	★ (M49)	GY/16	: Unified meter and A/C amp.	: Unified meter and A/C amp.					
D4	(M50)	W/24	: Unified meter and A/C amp.	: Unified meter and A/C amp.					
F4	(M51)	B/6	: Yaw rate / side G sensor (For VDC system)	: Yaw rate / side G sensor (For VDC system)					



★ : Be sure to connect and lock the connectors securely after repair work.  
 Failure to do so may cause the ECM to have diagnostic trouble codes.  
**Do not disconnect these connectors except in the case of working according to WORK FLOW of TROUBLE DIAGNOSES in EC and AT sections.**

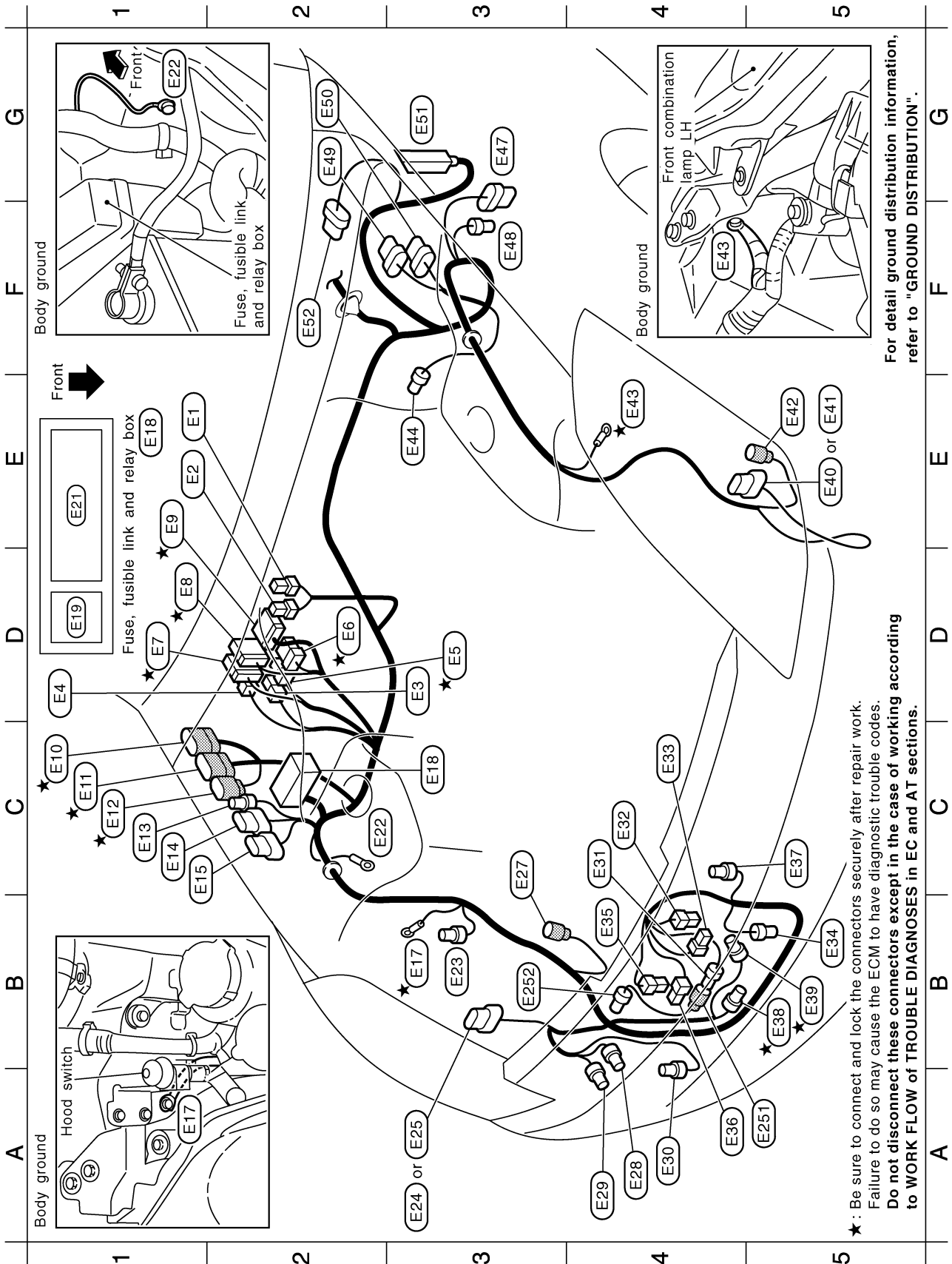
A  
B  
C  
D  
E  
F  
G  
H  
I  
J

PG

L  
M

# HARNESS

## ENGINE ROOM HARNESS Engine Compartment



★ : Be sure to connect and lock the connectors securely after repair work. Failure to do so may cause the ECM to have diagnostic trouble codes. Do not disconnect these connectors except in the case of working according to WORK FLOW of TROUBLE DIAGNOSES in EC and AT sections.

For detail ground distribution information, refer to "GROUND DISTRIBUTION".

# HARNESSES

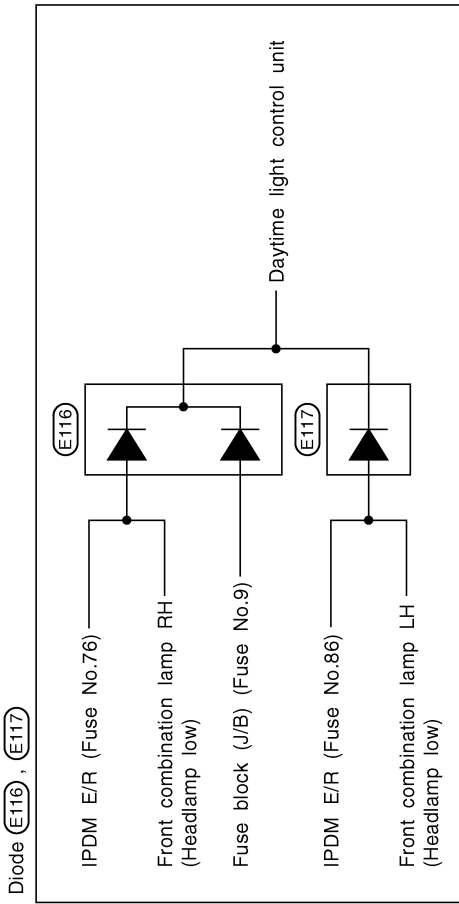
E1	(E1)	B/2	: Fusible link holder		A4	(E29)	GY/2	: Front washer motor
E1	(E2)	GY/2	: Fusible link holder		A4	(E30)	BR/2	: Washer level sensor
D3	(E3)	B/2	: IPDM E/R (Intelligent power distribution module engine room)		C4	(E31)	B/3	: To (E25T)
D1	(E4)	W/4	: IPDM E/R (Intelligent power distribution module engine room)		C4	(E32)	B/1	: Horn (Low)
D3	(E5)	B/4	: IPDM E/R (Intelligent power distribution module engine room)		C4	(E33)	B/1	: Horn (Low)
D2	(E6)	W/6	: IPDM E/R (Intelligent power distribution module engine room)		B5	(E34)	B/2	: Ambient sensor
D1	(E7)	GY/16	: IPDM E/R (Intelligent power distribution module engine room)		B4	(E35)	B/1	: Horn (High)
D1	(E8)	W/12	: IPDM E/R (Intelligent power distribution module engine room)		A4	(E36)	B/1	: Horn (High)
E1	(E9)	W/16	: IPDM E/R (Intelligent power distribution module engine room)		C5	(E37)	Y/2	: Crash zone sensor
C1	(E10)	GY/9	: To (F1)		B5	(E38)	GY/4	: Cooling fan motor-1 (Via sub-harness)
C1	(E11)	GY/10	: To (F2)		B5	(E39)	GY/4	: Cooling fan motor-2 (Via sub-harness)
C1	(E12)	GY/8	: To (F3)		E5	(E40)	GY/8	: Front combination lamp LH (With xenon headlamp)
C1	(E13)	GY/4	: Daytime light control unit (For Canada)		E5	(E41)	GY/6	: Front combination lamp LH (Without xenon headlamp)
C1	(E14)	GY/6	: Daytime light control unit (For Canada)		E5	(E42)	B/2	: Front wheel sensor LH
C1	(E15)	GY/8	: Daytime light control unit (For Canada)		E4	(E43)	—	: Body ground
B3	(E17)	—	: Body ground		E3	(E44)	GY/2	: Brake fluid level switch
C3	(E18)	—	: Fuse, fusible link and relay box		G3	(E47)	B/8	: VDC relay box (With VDC system)
D1	(E19)	L/4	: Back-up lamp relay (With A/T)		F3	(E48)	B/2	: VDC relay box (With VDC system)
E1	(E21)	—	: Fuse and fusible link block		G2	(E49)	GY/8	: VDC relay box (With VDC system)
C2	(E22)	—	: Body ground		G2	(E50)	GY/8	: VDC relay box (With VDC system)
B3	(E23)	GY/2	: Hood switch		G3	(E51)	SMJ	: ABS actuator and electric unit (Without VDC system)
A3	(E24)	GY/8	: Front combination lamp RH (With xenon headlamp)		F2	(E52)	GY/5	: Front wiper motor
A3	(E25)	GY/6	: Front combination lamp RH (Without xenon headlamp)					
C3	(E27)	GY/2	: Front wheel sensor RH					
A4	(E28)	GY/2	: Rear washer motor					

## Sub-harness

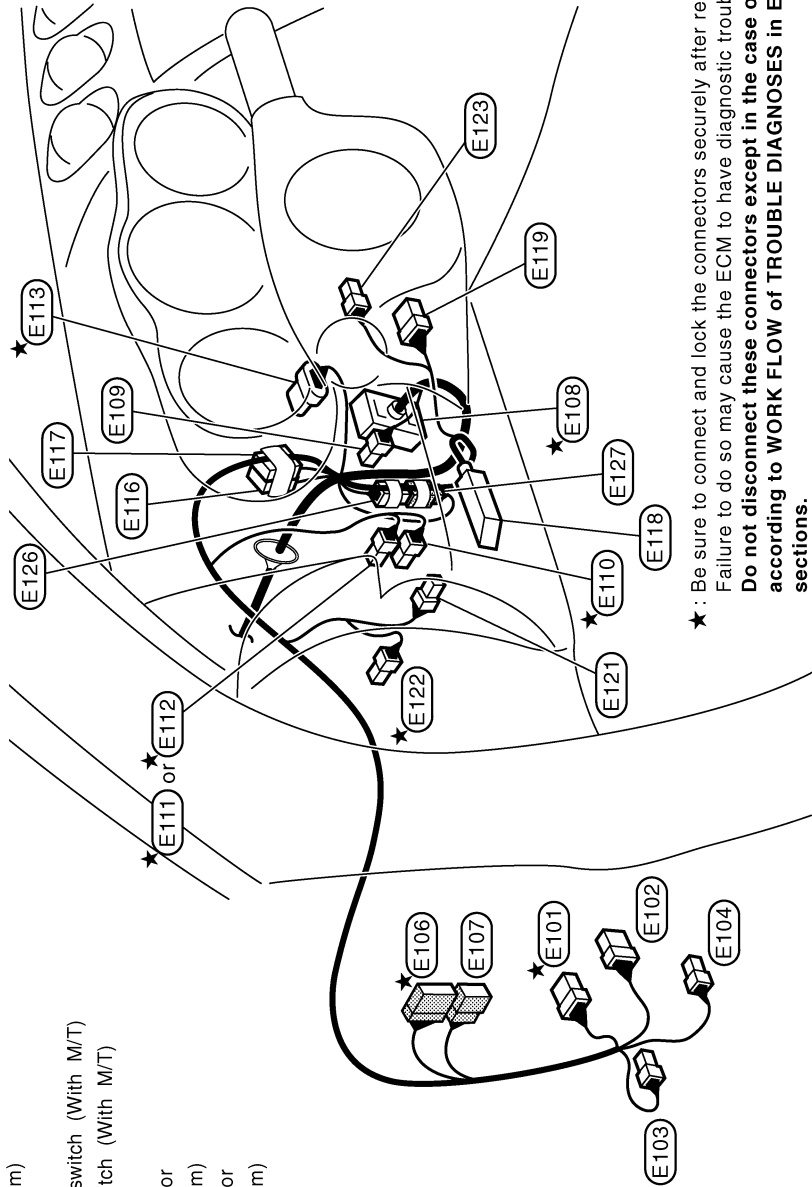
A5	(E25T)	B/3	: To (E3T)
B3	(E25Z)	B/3	: Refrigerant pressure sensor

★ : Be sure to connect and lock the connectors securely after repair work.  
 Failure to do so may cause the ECM to have diagnostic trouble codes.  
**Do not disconnect these connectors except in the case of working according to WORK FLOW of TROUBLE DIAGNOSES in EC and AT sections.**

## Passenger Compartment



- ★ (E101) W/8 : Fuse block (J/B)
- (E102) W/6 : Fuse block (J/B)
- (E103) B/1 : Fuse block (J/B)
- (E104) B/2 : Fuse block (J/B)
- ★ (E106) W/18 : To (B2)
- (E107) W/6 : To (B3)
- ★ (E108) SMJ : To (M15)
- (E109) Y/4 : To (M16)
- ★ (E110) BR/2 : ASCD brake switch
- ★ (E111) W/4 : Stop lamp switch (With A/T)
- ★ (E112) B/2 : Stop lamp switch (With M/T)
- ★ (E113) GY/6 : Accelerator pedal position sensor
- (E116) -/3 : Diode (For Canada)
- (E117) W/2 : Diode (For Canada)
- (E118) SMJ : VDC / TCS / ABS control unit (With VDC system)
- (E119) W/6 : Ignition switch
- (E121) L/2 : Clutch interlock switch (With M/T)
- ★ (E122) L/2 : ASCD clutch switch (With M/T)
- (E123) BR/2 : Microphone
- (E126) BR/2 : Jumping connector (With VDC system)
- (E127) BR/2 : Jumping connector (With VDC system)



★ : Be sure to connect and lock the connectors securely after repair work. Failure to do so may cause the ECM to have diagnostic trouble codes. Do not disconnect these connectors except in the case of working according to WORK FLOW of TROUBLE DIAGNOSES in EC and AT sections.

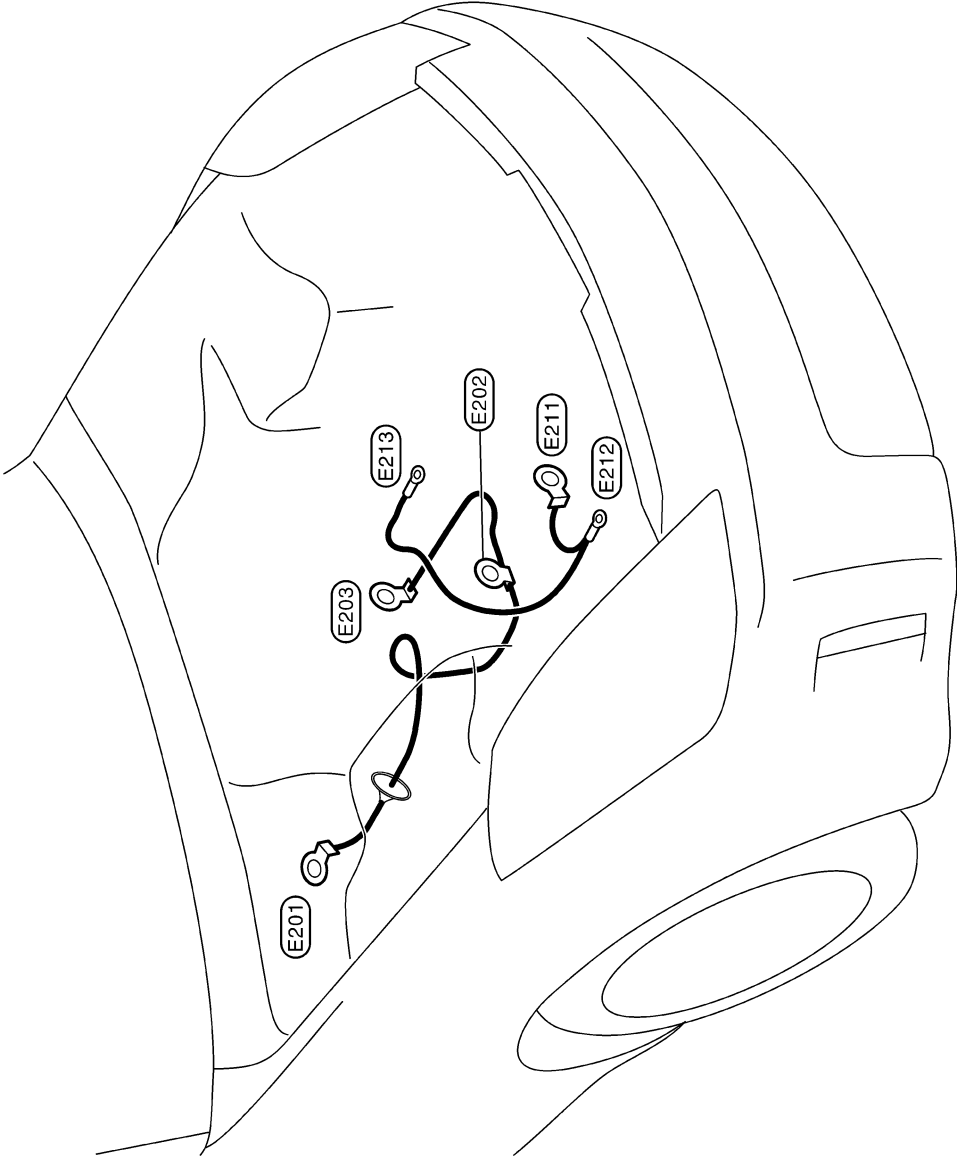
TKIT0291E

# HARNESS

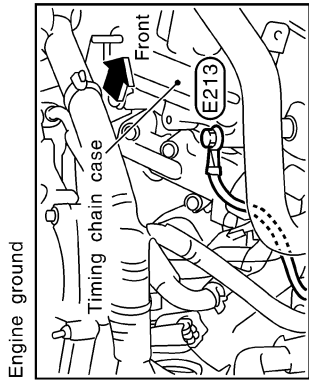
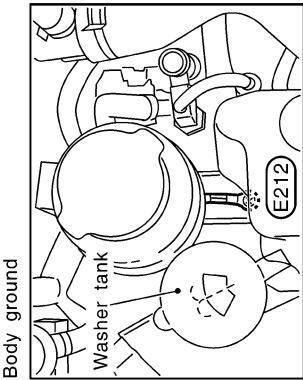
## Battery Cable

A  
B  
C  
D  
E  
F  
G  
H  
I  
J  
PG  
L  
M

- (E201) : Fusible link holder
- (E202) : Alternator (B)
- (E203) : Starter motor
- (E211) : Alternator (E)
- (E212) : Body ground
- (E213) : Engine ground



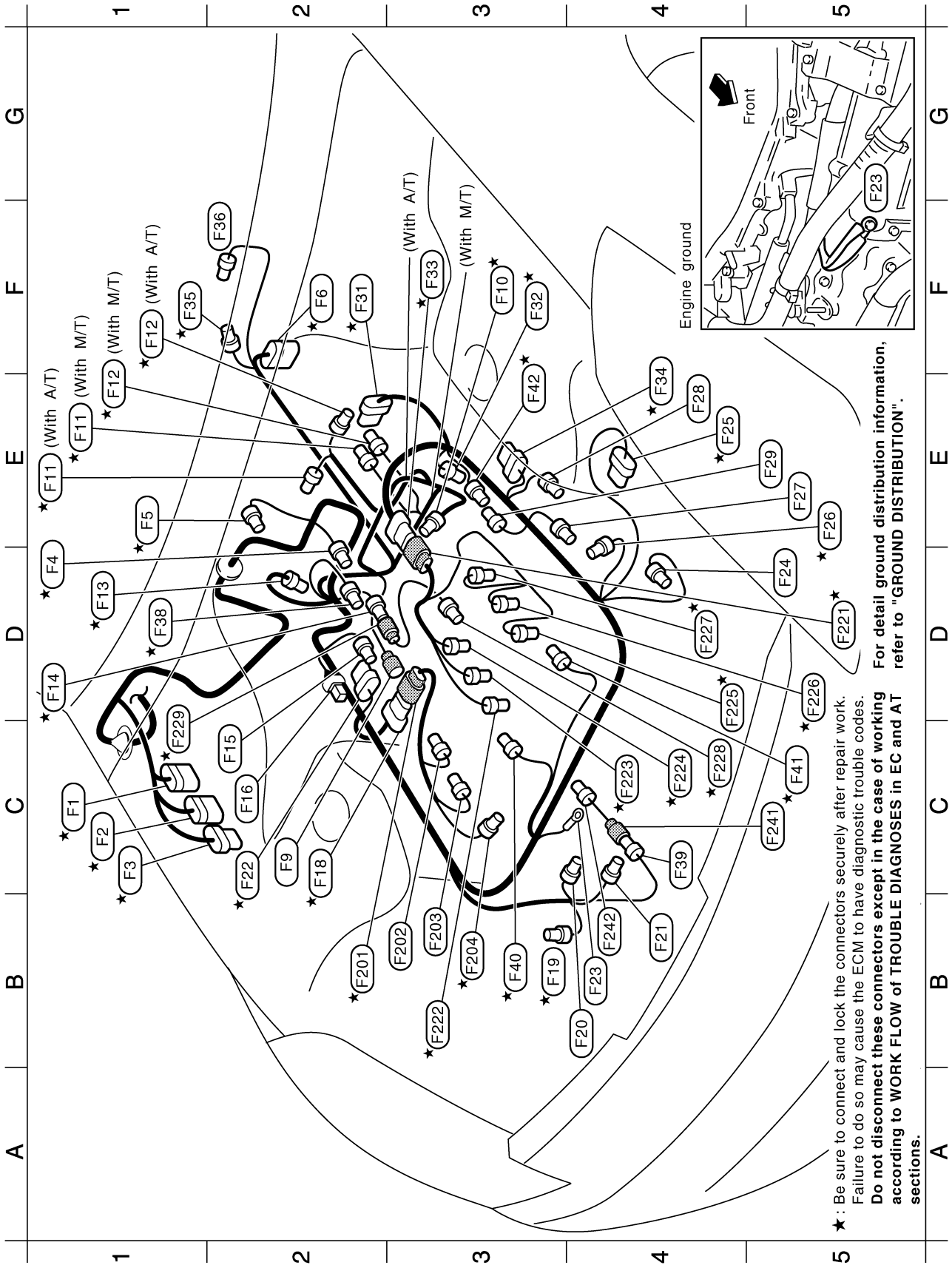
For detail ground distribution information, refer to "GROUND DISTRIBUTION".



CKIT0202E

# HARNESS

## ENGINE CONTROL HARNESS Engine Compartment



★ : Be sure to connect and lock the connectors securely after repair work. Failure to do so may cause the ECM to have diagnostic trouble codes. Do not disconnect these connectors except in the case of working according to WORK FLOW of TROUBLE DIAGNOSES in EC and AT sections.

For detail ground distribution information, refer to "GROUND DISTRIBUTION".

## Engine control sub-harness-1

B2	★ (F201)	L/6	:	To	(F18)
B3	(F202)	GY/3	:	Ignition coil No.3	(With power transistor)
B3	(F203)	GY/3	:	Ignition coil No.1	(With power transistor)
B3	★ (F204)	G/2	:	Intake valve timing control solenoid valve	(Bank 1)

## Engine control sub-harness-2

D5	★ (F221)	G/8	:	To	(F33)
B3	★ (F222)	GY/2	:	Injector No.1	
C4	★ (F223)	GY/2	:	Injector No.3	
C4	★ (F224)	GY/2	:	Injector No.5	
D4	★ (F225)	GY/2	:	Injector No.2	
D5	★ (F226)	GY/2	:	Injector No.4	
D4	★ (F227)	GY/2	:	Injector No.6	
C4	★ (F228)	L/2	:	Knock sensor	
C1	★ (F229)	SB/2	:	To	(F14)

## Engine control sub-harness-3 (★1)

C5	(F241)	BR/2	:	To	(F39)
B4	(F242)	GY/2	:	Engine oil temperature sensor	

C1	★ (F1)	GY/9	:	To	(E10)
C1	★ (F2)	GY/10	:	To	(E11)
C1	★ (F3)	GY/8	:	To	(E12)
D1	★ (F4)	GY/3	:	Camshaft position sensor (PHASE)	(Bank 1)
E1	★ (F5)	GY/2	:	EVAP canister purge volume control solenoid valve	
F2	★ (F6)	GY/10	:	A/T assembly	(With A/T)
C2	(F9)	GY/1	:	Starter motor	
F3	★ (F10)	B/3	:	Crankshaft position sensor (POS)	
E1	★ (F11)	B/4	:	Heated oxygen sensor 2	(Bank 1)
E1,F1	★ (F12)	GY/4	:	Heated oxygen sensor 2	(Bank 2)
D1	★ (F13)	GY/2	:	Engine coolant temperature sensor	
D1	★ (F14)	B/2	:	To	(F229)
C2	(F15)	GY/3	:	Ignition coil No.5	(With power transistor)
C2	(F16)	W/2	:	Condenser	
C2	★ (F18)	B/6	:	To	(F201)
B3	★ (F19)	B/3	:	Power steering pressure sensor	
B4	(F20)	GY/2	:	Alternator (S, L)	
B4	(F21)	B/3	:	Oil pressure sensor	
C2	★ (F22)	B/6	:	Air fuel ratio (A/F) sensor 1	(Bank 1)
B4	(F23)	—	:	Engine ground	
D5	(F24)	B/1	:	Compressor	
E4	★ (F25)	B/6	:	Mass air flow sensor	
E5	★ (F26)	GY/2	:	Intake valve timing control solenoid valve	(Bank 2)
E5	(F27)	GY/3	:	Ignition coil No.2	(With power transistor)
E4	(F28)	GY/3	:	Ignition coil No.4	(With power transistor)
E5	(F29)	GY/3	:	Ignition coil No.6	(With power transistor)
F2	★ (F31)	GY/6	:	Electric throttle control actuator	
F3	★ (F32)	B/3	:	Camshaft position sensor (PHASE)	(Bank 2)
F3	★ (F33)	GY/8	:	To	(F221)
E4	★ (F34)	B/6	:	Air fuel ratio (A/F) sensor 1	(Bank 2)
F1	★ (F35)	B/2	:	Park/Neutral position switch	(With M/T)
F2	(F36)	B/2	:	Back-up lamp switch	(With M/T)
D1	★ (F38)	B/3	:	Exhaust valve timing control position sensor	(Bank 1) (★1)
C4	(F39)	GY/2	:	To	(F241) (★1)
B3	★ (F40)	B/4	:	Exhaust valve timing control magnet retarder	(Bank 1) (★1)
C5	★ (F41)	B/4	:	Exhaust valve timing control magnet retarder	(Bank 2) (★1)
E3	★ (F42)	GY/3	:	Exhaust valve timing control position sensor	(Bank 2) (★1)

★1 : 35<sup>th</sup> Anniversary models with M/T  
 ★ : Be sure to connect and lock the connectors securely after repair work.  
 Failure to do so may cause the ECM to have diagnostic trouble codes.  
**Do not disconnect these connectors except in the case of working according to WORK FLOW of TROUBLE DIAGNOSES in EC and AT sections.**

A  
B  
C  
D  
E  
F  
G  
H  
I  
J  
K  
L  
M  
N  
O  
P  
Q  
R  
S  
T  
U  
V  
W  
X  
Y  
Z

# HARNESSES

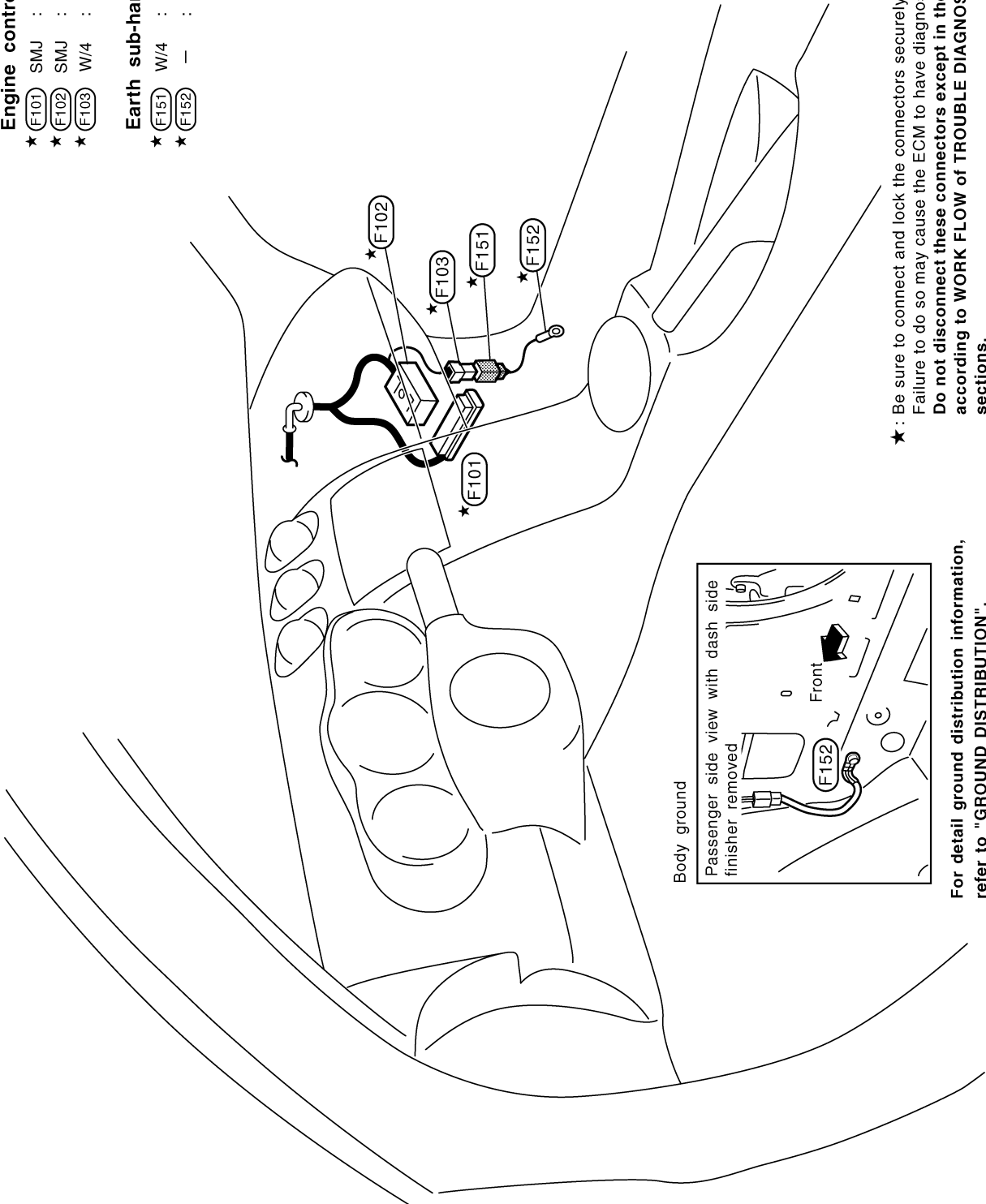
## Passenger Compartment

### Engine control harness

- ★ (F101) SMJ : ECM
- ★ (F102) SMJ : To (M72)
- ★ (F103) W/4 : To (F151)

### Earth sub-harness

- ★ (F151) W/4 : To (F103)
- ★ (F152) — : Body ground



★ : Be sure to connect and lock the connectors securely after repair work. Failure to do so may cause the ECM to have diagnostic trouble codes. Do not disconnect these connectors except in the case of working according to WORK FLOW of TROUBLE DIAGNOSES in EC and AT sections.

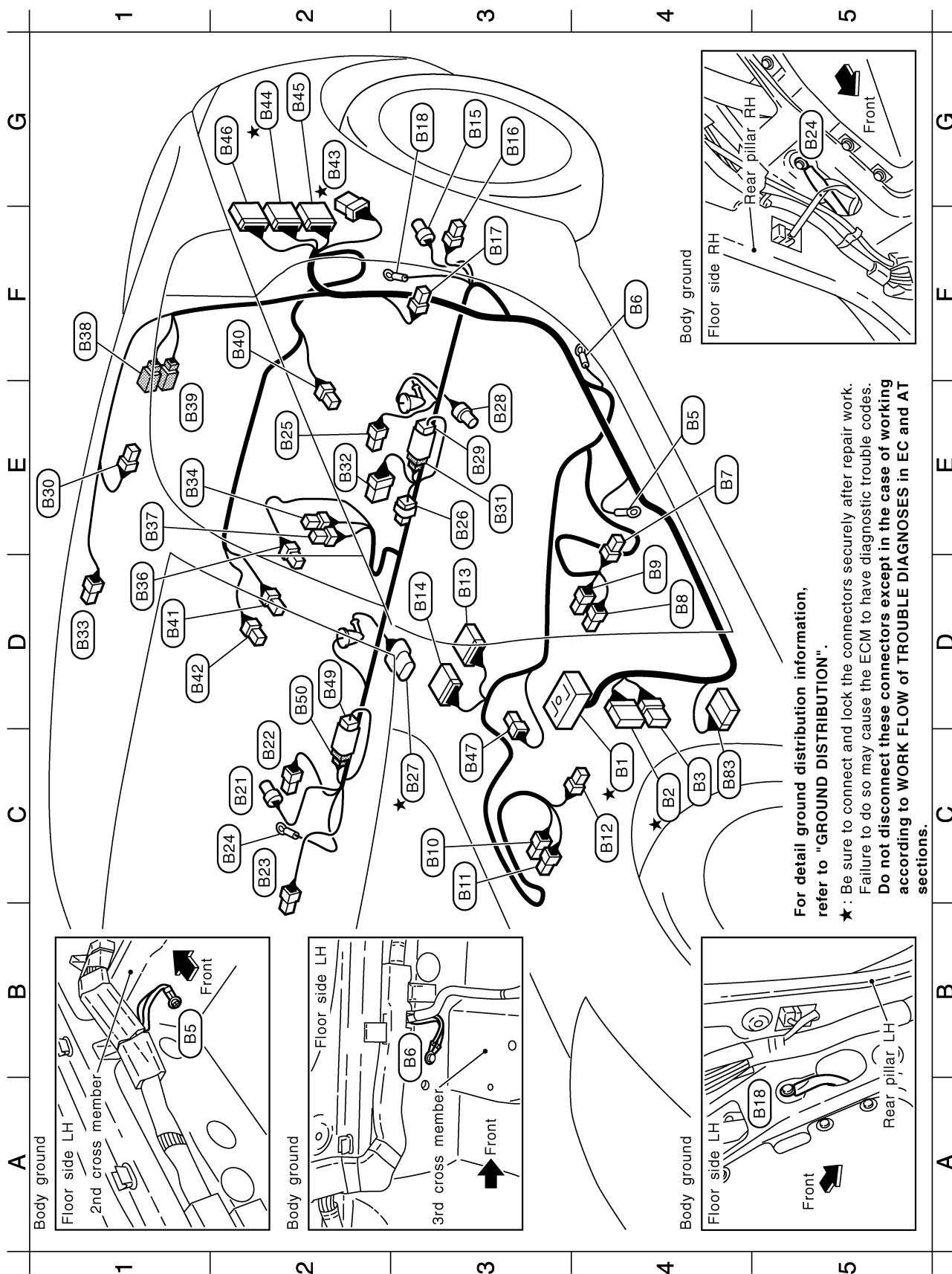
For detail ground distribution information, refer to "GROUND DISTRIBUTION".

TKIT0425E



# HARNESS

## BODY HARNESS Coupe Models



For detail ground distribution information, refer to "GROUND DISTRIBUTION".

★ : Be sure to connect and lock the connectors securely after repair work. Failure to do so may cause the ECM to have diagnostic trouble codes. Do not disconnect these connectors except in the case of working according to WORK FLOW of TROUBLE DIAGNOSES in EC and AT sections.

A  
B  
C  
D  
E  
F  
G  
H  
I  
J  
K  
L  
M

PG

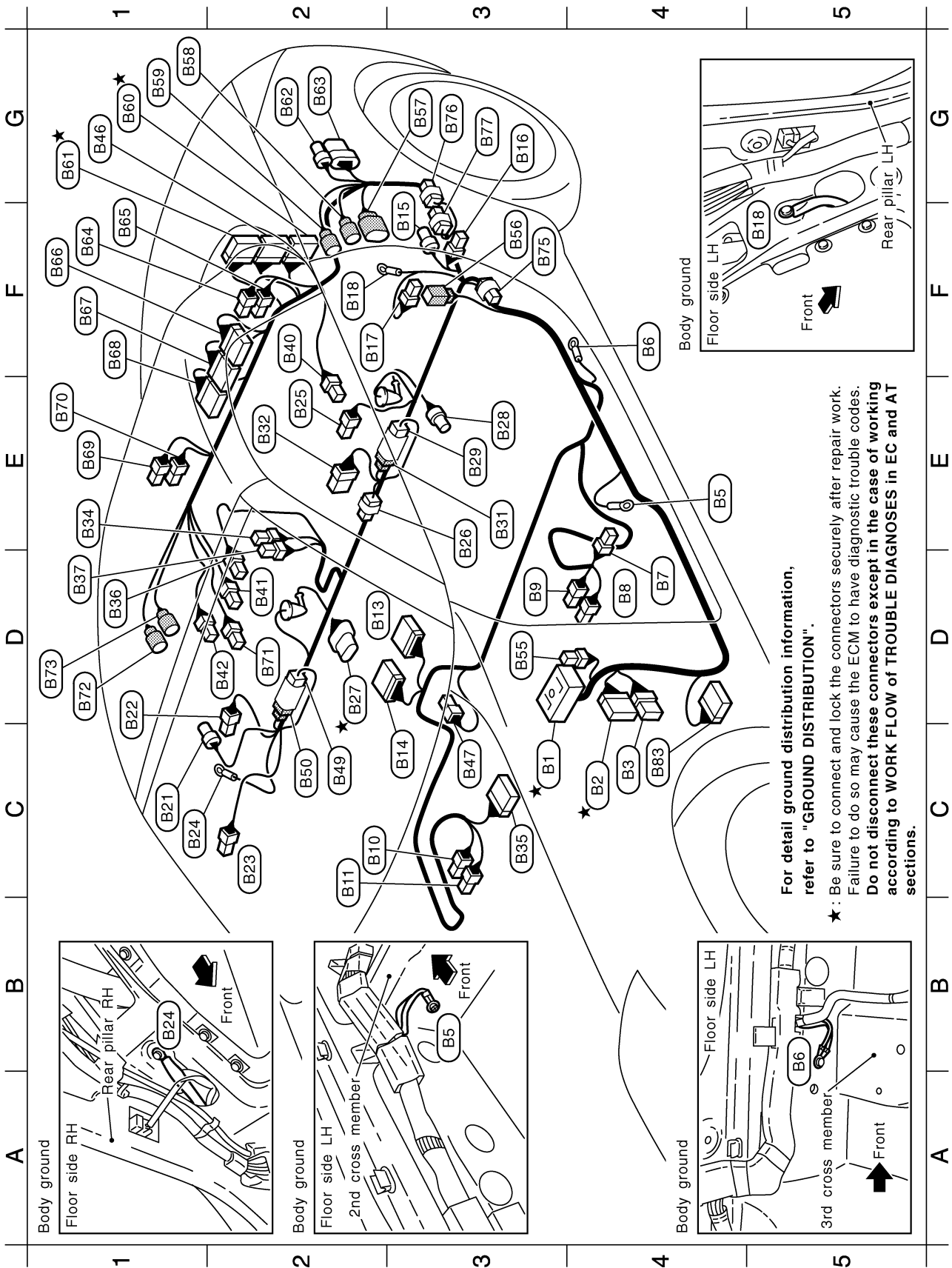
E1	(B37)	L/4	: Heated seat relay (With heated seat or side air bag)
F1	(B38)	W/3	: To (D101)
E1	(B39)	GY/2	: To (D102)
F2	(B40)	BR/2	: Rear speaker LH
D1	(B41)	W/2	: Luggage floor box lamp
D1	(B42)	BR/2	: Rear speaker RH
G2	(B43)	W/6	: To (T1)
G2	(B44)	W/16	: To (T2)
G2	(B45)	W/10	: To (T3) (With BOSE system)
G2	(B46)	BR/20	: To (T4) (With BOSE system)
C3	(B47)	B/1	: Parking brake switch
D2	(B49)	BR/2	: To (B50)
D2	(B50)	BR/2	: To (B49)
C4	(B83)	W/15	: BCM (Body control module)

★ : Be sure to connect and lock the connectors securely after repair work.  
 Failure to do so may cause the ECM to have diagnostic trouble codes.  
**Do not disconnect these connectors except in the case of working according to WORK FLOW of TROUBLE DIAGNOSES in EC and AT sections.**

C4	★	(B1)	SMJ	: To (M12)
C4	★	(B2)	W/18	: To (E106)
C4		(B3)	W/6	: To (E107)
E4		(B5)	—	: Body ground
F4		(B6)	—	: Body ground
E4		(B7)	W/4	: Driver side seat (With heated seat or side air bag)
D4		(B8)	W/3	: Seat belt buckle switch (Driver side)
D4		(B9)	Y/2	: LH side air bag module (With side air bag)
C3		(B10)	Y/2	: RH side air bag module (With side air bag)
C3		(B11)	W/3	: Seat belt buckle switch (Passenger side)
C4		(B12)	W/4	: Passenger side seat (With heated seat or side air bag)
D3		(B13)	Y/12	: Air bag diagnosis sensor unit
D3		(B14)	Y/12	: Air bag diagnosis sensor unit
G3		(B15)	Y/2	: LH side air bag (satellite) sensor (With side air bag)
G3		(B16)	Y/2	: Seat belt pre-tensioner LH
F3		(B17)	W/3	: Driver side door switch
G3		(B18)	—	: Body ground (With side air bag)
C2		(B21)	Y/2	: RH side air bag (satellite) sensor (With side air bag)
C2		(B22)	Y/2	: Seat belt pre-tensioner RH
C2		(B23)	W/3	: Passenger side door switch
C2		(B24)	—	: Body ground (With side air bag)
E2		(B25)	W/2	: Woofer (With BOSE system)
E3		(B26)	W/2	: Condenser
C3	★	(B27)	GY/5	: Fuel level sensor unit and fuel pump
E3		(B28)	GY/2	: Fuel level sensor unit (Sub)
E3		(B29)	W/2	: To (B31)
E1		(B30)	Y/2	: LH side curtain air bag module (With side air bag)
E3		(B31)	W/2	: To (B29)
E2		(B32)	BR/8	: Woofer amp. (With BOSE system)
D1		(B33)	Y/2	: RH side curtain air bag module (With side air bag)
E1		(B34)	BR/6	: Rear window defogger relay
D1		(B36)	B/2	: Power socket

# HARNESSES

## Roadster Models



TKIT0296E

# HARNESSES

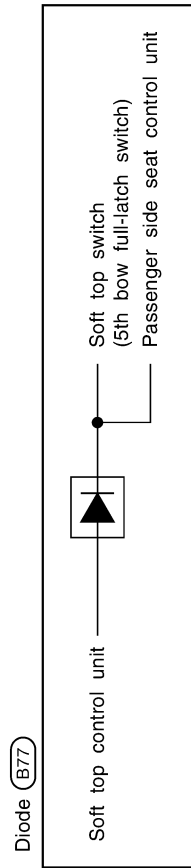
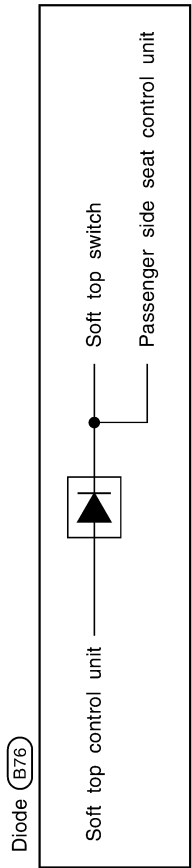
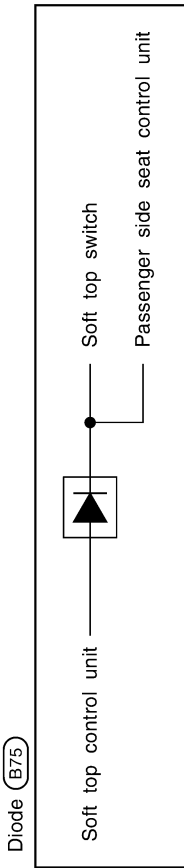
C3 ★	(B1)	SMJ	:	To	(M12)
C4 ★	(B2)	W/18	:	To	(E106)
C4	(B3)	W/6	:	To	(E107)
E4	(B5)	—	:	Body ground	
F4	(B6)	—	:	Body ground	
D4	(B7)	W/4	:	Driver side seat	
D4	(B8)	W/3	:	Seat belt buckle switch (Driver side)	
D3	(B9)	Y/2	:	LH side air bag module (With side air bag)	
C2	(B10)	Y/2	:	RH side air bag module (With side air bag)	
C2	(B11)	W/3	:	Seat belt buckle switch (Passenger side)	
D2	(B13)	Y/12	:	Air bag diagnosis sensor unit	
C3	(B14)	Y/12	:	Air bag diagnosis sensor unit	
F3	(B15)	Y/2	:	LH side air bag (satellite) sensor (With side air bag)	
G3	(B16)	Y/2	:	Seat belt pre-tensioner LH	
F2	(B17)	W/3	:	Driver side door switch	
F2	(B18)	—	:	Body ground (With side air bag)	
C1	(B21)	Y/2	:	RH side air bag (satellite) sensor (With side air bag)	
D1	(B22)	Y/2	:	Seat belt pre-tensioner RH	
C2	(B23)	W/3	:	Passenger side door switch	
C1	(B24)	—	:	Body ground (With side air bag)	
E2	(B25)	W/2	:	Woofer (With BOSE system)	
E3	(B26)	W/2	:	Condenser	
D2 ★	(B27)	GY/5	:	Fuel level sensor unit and fuel pump	
E3	(B28)	GY/2	:	Fuel level sensor unit (Sub)	
E3	(B29)	W/2	:	To	(B31)
E3	(B31)	W/2	:	To	(B29)
E2	(B32)	BR/8	:	Woofer amp. (With BOSE system)	
E1	(B34)	BR/6	:	Rear window defogger relay	
C3	(B35)	W/18	:	Passenger side seat	
D1	(B36)	B/2	:	Power socket	
D1	(B37)	L/4	:	Heated seat relay (With heated seat or side air bag)	
F2	(B40)	BR/2	:	Rear speaker LH	
D2	(B41)	W/2	:	Luggage floor box lamp	
D2	(B42)	BR/2	:	Rear speaker RH	
G1	(B46)	BR/20	:	To	(T4) (With BOSE system)
C3	(B47)	B/1	:	Parking brake switch	
C2	(B49)	BR/2	:	To	(B50)
C2	(B50)	BR/2	:	To	(B49)

D3	(B55)	W/2	:	Circuit breaker	
F3	(B56)	W/2	:	Short connector	
G3	(B57)	GY/8	:	Soft top assembly	
G1	(B58)	B/2	:	Soft top assembly	
G1	(B59)	GY/2	:	Roof actuator LH	
G1 ★	(B60)	W/20	:	To	(T22)
G1 ★	(B61)	W/16	:	To	(T23)
G2	(B62)	GY/4	:	To	(T24) (With BOSE system)
G2	(B63)	B/6	:	To	(T25) (With BOSE system)
F1	(B64)	W/2	:	Storage lid switch LH (Close)	
F1	(B65)	B/2	:	Storage lid unlock actuator LH	
F1	(B66)	W/16	:	Soft top control unit	
F1	(B67)	W/20	:	Soft top control unit	
F1	(B68)	W/12	:	Soft top control unit	
E1	(B69)	W/2	:	Storage lid switch RH (Close)	
E1	(B70)	B/2	:	Storage lid unlock actuator RH	
D2	(B71)	W/2	:	Trunk opener cancel switch	
D1	(B72)	GY/2	:	Roof actuator RH	
D1	(B73)	B/2	:	Rear window defogger (Via sub-harness)	
F3	(B75)	W/2	:	Diode	
G3	(B76)	W/2	:	Diode	
G3	(B77)	W/2	:	Diode	
C4	(B83)	W/15	:	BCM (Body control module)	

★ : Be sure to connect and lock the connectors securely after repair work.  
 Failure to do so may cause the ECM to have diagnostic trouble codes.  
**Do not disconnect these connectors except in the case of working according to WORK FLOW of TROUBLE DIAGNOSES in EC and AT sections.**

# HARNESS

A  
B  
C  
D  
E  
F  
G  
H  
I  
J  
PG  
L  
M

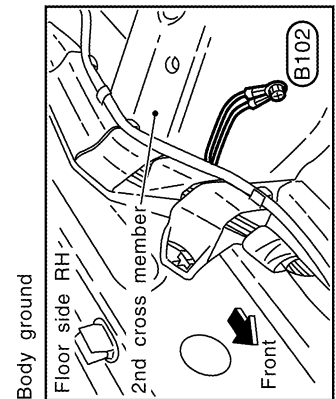
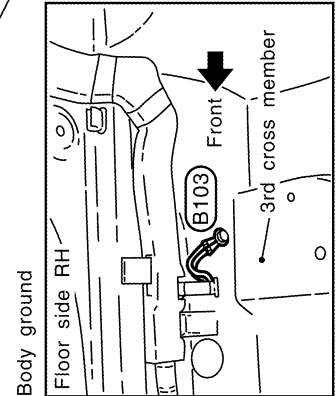
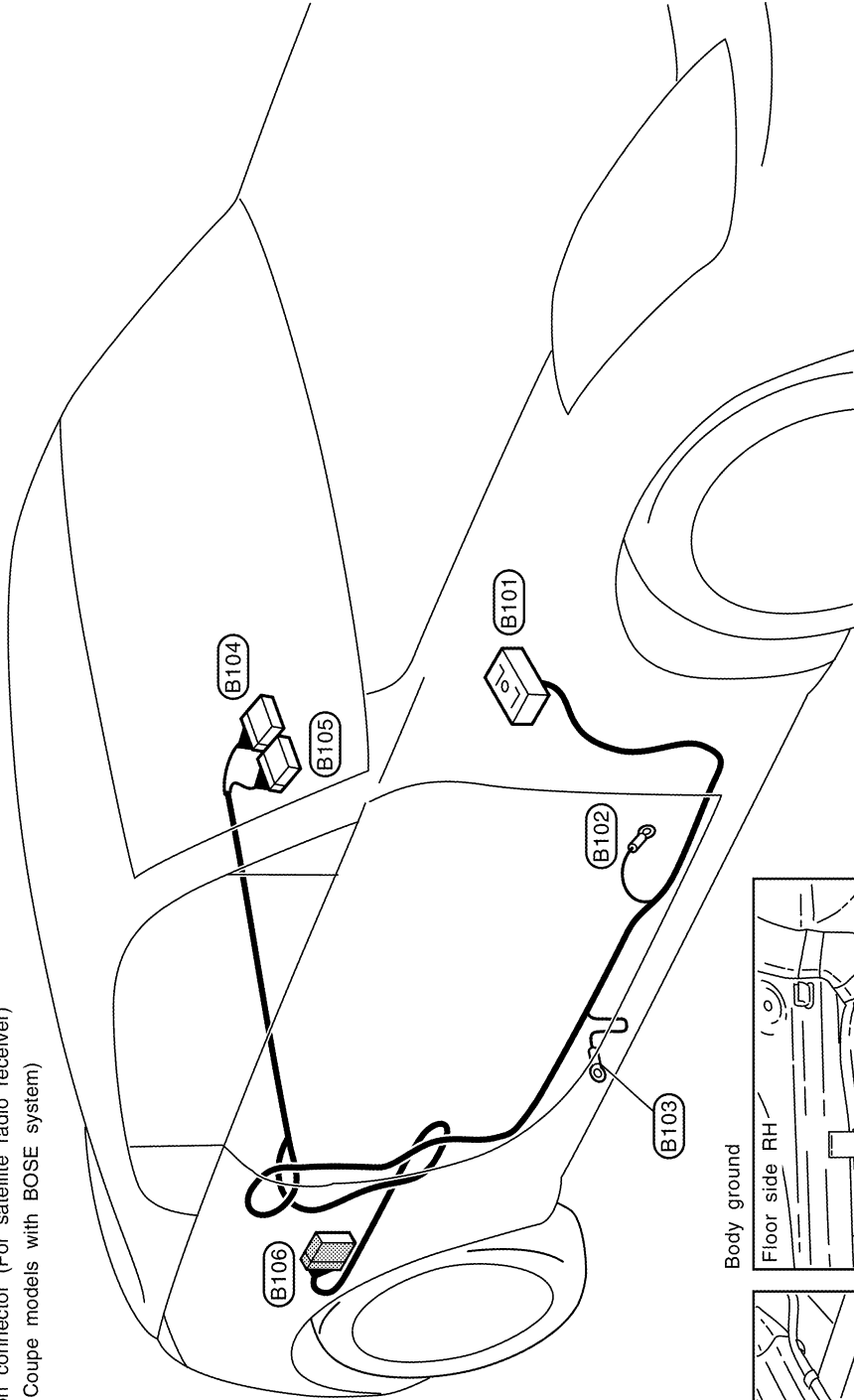


TKIT0117E

# HARNESS

## BODY NO. 2 HARNESS

- (B101) SMJ : To (M73)
- (B102) — : Body ground (With navigation system)
- (B103) — : Body ground (With navigation system)
- (B104) W/24 : NAVI control unit (With navigation system)
- (B105) GY/24 : NAVI control unit (With navigation system)
- (B106) W/12 : Option connector (For satellite radio receiver)  
(For Coupe models with BOSE system)



For detail ground distribution information, refer to "GROUND DISTRIBUTION".

TKIT0226E

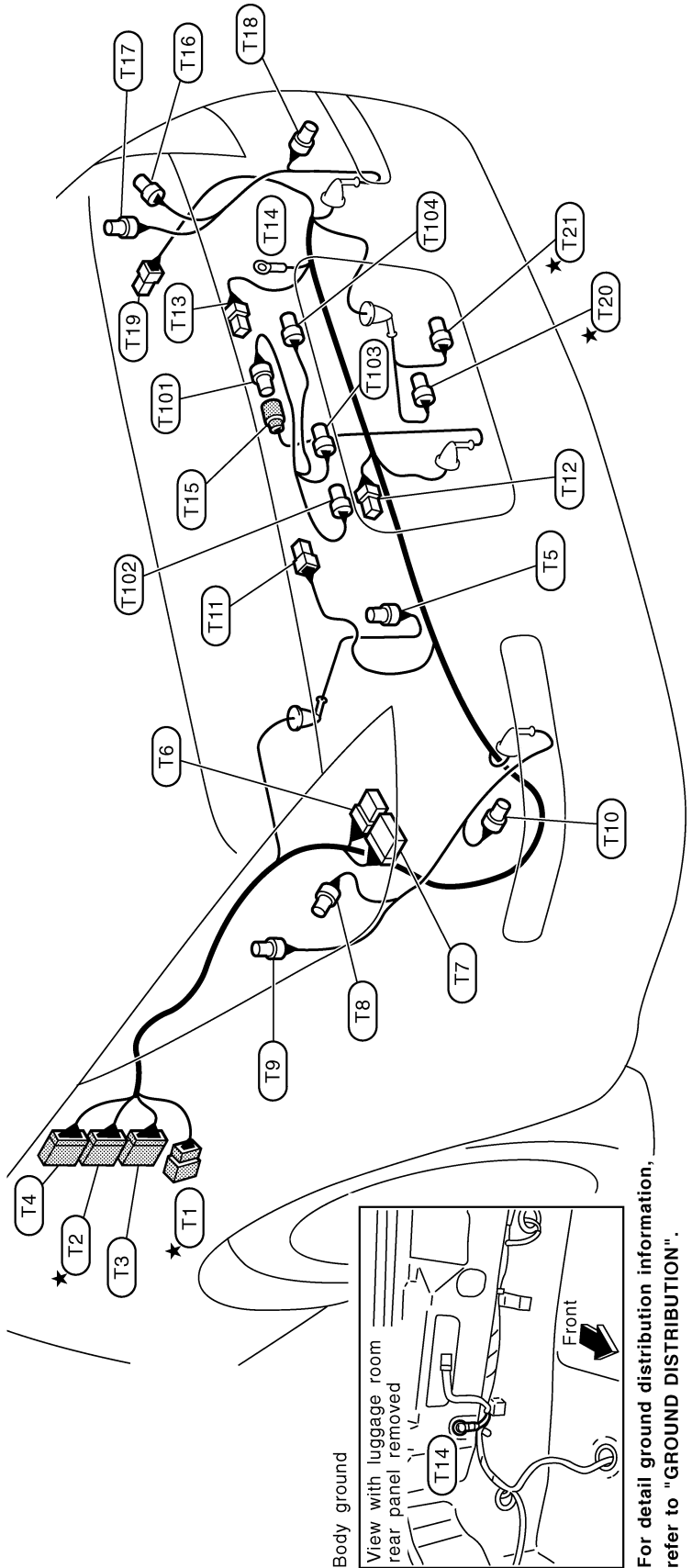
## TAIL HARNESS Coupe Models

- (T18) SB/4 : Rear combination lamp RH (Bumper side)
- (T19) W/4 : Fuel lid opener actuator
- ★ (T20) B/2 : EVAP canister vent control valve
- ★ (T21) GY/3 : EVAP control system pressure sensor

### Tail sub-harness-1

- (T101) GY/4 : To (T15)
  - (T102) BR/2 : License plate lamp LH
  - (T103) GY/2 : Back door opener switch
  - (T104) BR/2 : License plate lamp RH
- ★ : Be sure to connect and lock the connectors securely after repair work.  
Failure to do so may cause the ECM to have diagnostic trouble codes.  
**Do not disconnect these connectors except in the case of working according to WORK FLOW of TROUBLE DIAGNOSES in EC and AT sections.**

- ★ (T1) W/6 : To (B43)
- ★ (T2) W/16 : To (B44)
- (T3) W/10 : To (B45) (With BOSE system)
- (T4) BR/20 : To (B46) (With BOSE system)
- (T5) GY/4 : Rear wheel sensor
- (T6) GY/8 : BOSE speaker amp. (With BOSE system)
- (T7) B/24 : BOSE speaker amp. (With BOSE system)
- (T8) GY/2 : Rear combination lamp LH (Body side)
- (T9) GY/3 : Rear combination lamp LH (Body side)
- (T10) SB/4 : Rear combination lamp LH (Bumper side)
- (T11) W/4 : Back door opener actuator
- (T12) W/3 : Back door switch
- (T13) GY/2 : Luggage room lamp
- (T14) — : Body ground
- (T15) GY/4 : To (T101)
- (T16) GY/2 : Rear combination lamp RH (Body side)
- (T17) GY/3 : Rear combination lamp RH (Body side)



Body ground

View with luggage room rear panel removed

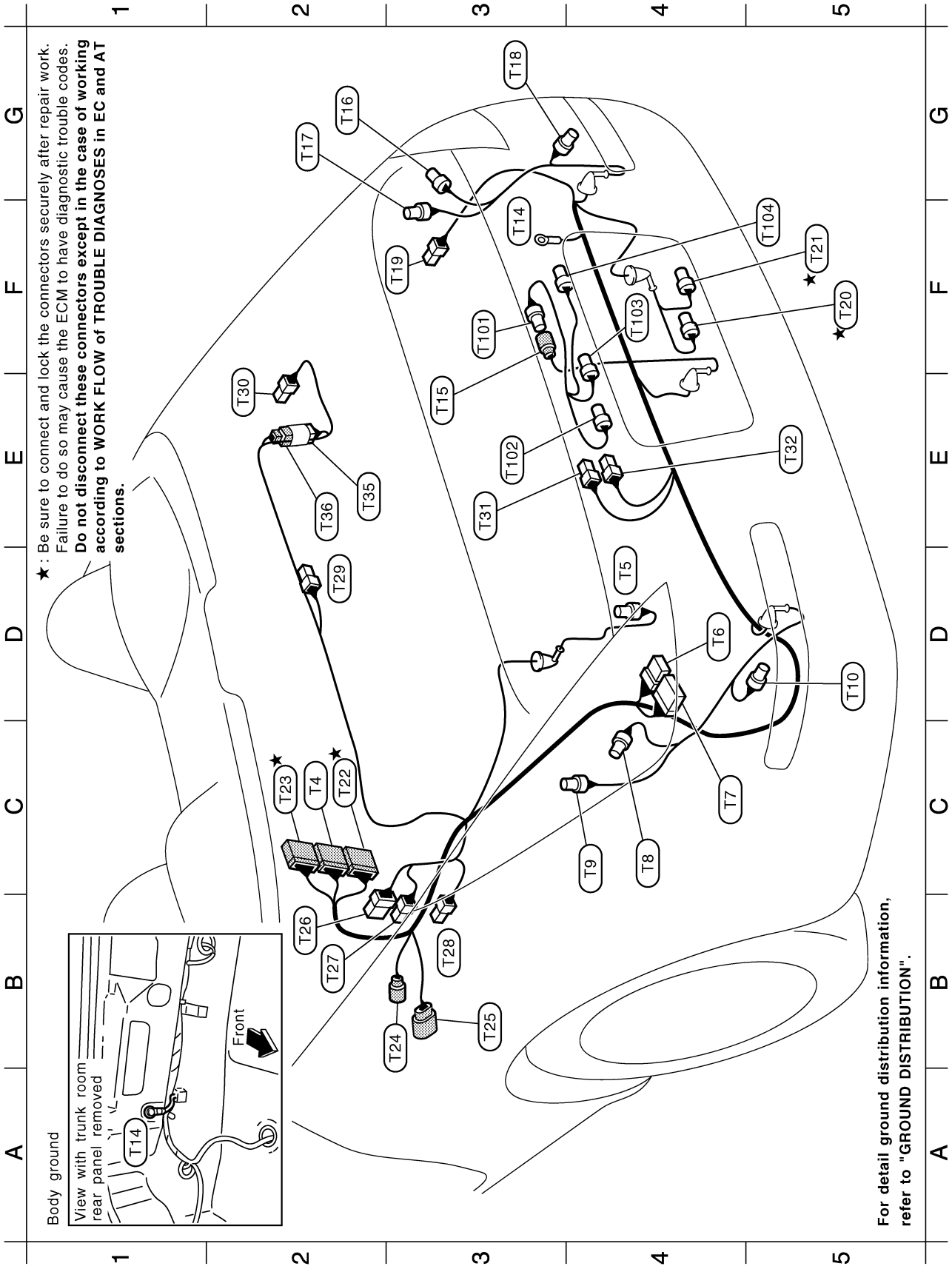


For detail ground distribution information, refer to "GROUND DISTRIBUTION".

A  
B  
C  
D  
E  
F  
G  
H  
I  
J  
L  
M

# HARNESS

## Roadster Models



TKIT0299E



C2	T4	BR/20	:	To	B46	(With BOSE system)
D4	T5	GY/4	:	Rear wheel sensor		
D4	T6	GY/8	:	BOSE speaker amp. (With BOSE system)		
C4	T7	B/24	:	BOSE speaker amp. (With BOSE system)		
C4	T8	GY/2	:	Rear combination lamp LH (Body side)		
C4	T9	GY/3	:	Rear combination lamp LH (Body side)		
D5	T10	SB/4	:	Rear combination lamp LH (Bumper side)		
F3	T14	—	:	Body ground		
E3	T15	GY/4	:	To	T101	
G2	T16	GY/2	:	Rear combination lamp RH (Body side)		
G2	T17	GY/3	:	Rear combination lamp RH (Body side)		
G3	T18	SB/4	:	Rear combination lamp RH (Bumper side)		
F3	T19	W/4	:	Fuel lid opener actuator		
F5	T20	B/2	:	EVAP canister vent control valve		
F5	T21	GY/3	:	EVAP control system pressure sensor		
C2	T22	W/20	:	To	B60	
C2	T23	W/16	:	To	B61	
B3	T24	GY/4	:	To	B62	(With BOSE system)
B3	T25	B/6	:	To	B63	(With BOSE system)
B2	T26	W/8	:	To	T151	
B2	T27	B/2	:	Storage lid switch (Open)		
B3	T28	W/2	:	Storage lid actuator LH		
D2	T29	W/2	:	Trunk room lamp		
E2	T30	W/2	:	Storage lid actuator RH		
E3	T31	W/2	:	Trunk room lamp switch		
E5	T32	B/2	:	Trunk lid opener actuator		
E2	T35	W/2	:	To	T36	
E2	T36	W/2	:	To	T35	

## Tail sub-harness-1

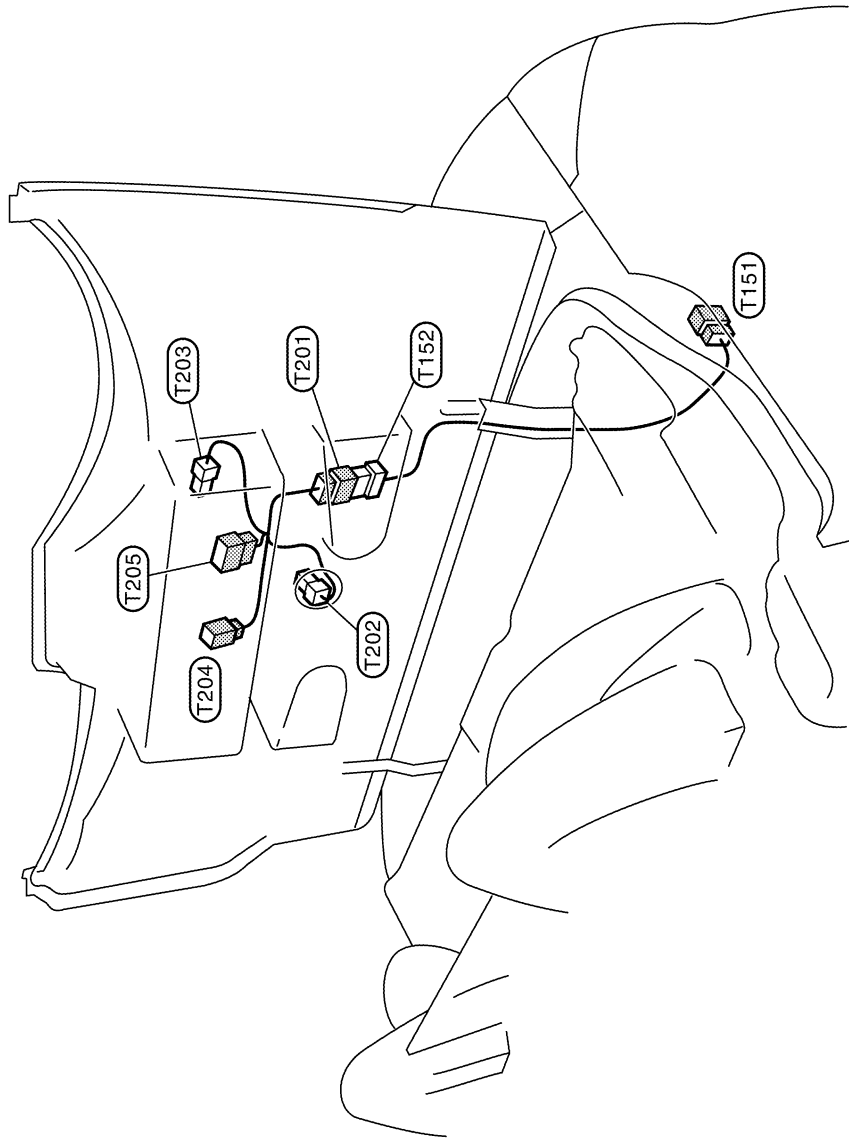
F3	T101	GY/4	:	To	T15
E3	T102	BR/2	:	License plate lamp LH	
F4	T103	GY/2	:	Trunk lid opener switch	
F5	T104	BR/2	:	License plate lamp RH	

★ : Be sure to connect and lock the connectors securely after repair work.  
 Failure to do so may cause the ECM to have diagnostic trouble codes.  
**Do not disconnect these connectors except in the case of working according to WORK FLOW of TROUBLE DIAGNOSES in EC and AT sections.**

A  
B  
C  
D  
E  
F  
G  
H  
I  
J  
PG  
L  
M

# HARNESS

## TAIL NO. 2 HARNESS Roadster Models



### Tail No.2 harness

- (T201) W/8 : To (T152)
- (T202) BR/2 : High-mounted stop lamp
- (T203) W/4 : 5th bow unlock actuator
- (T204) B/2 : 5th bow closure motor
- (T205) W/6 : Soft top lock switch

### Tail sub-harness-2

- (T151) W/8 : To (T26)
- (T152) W/8 : To (T201)

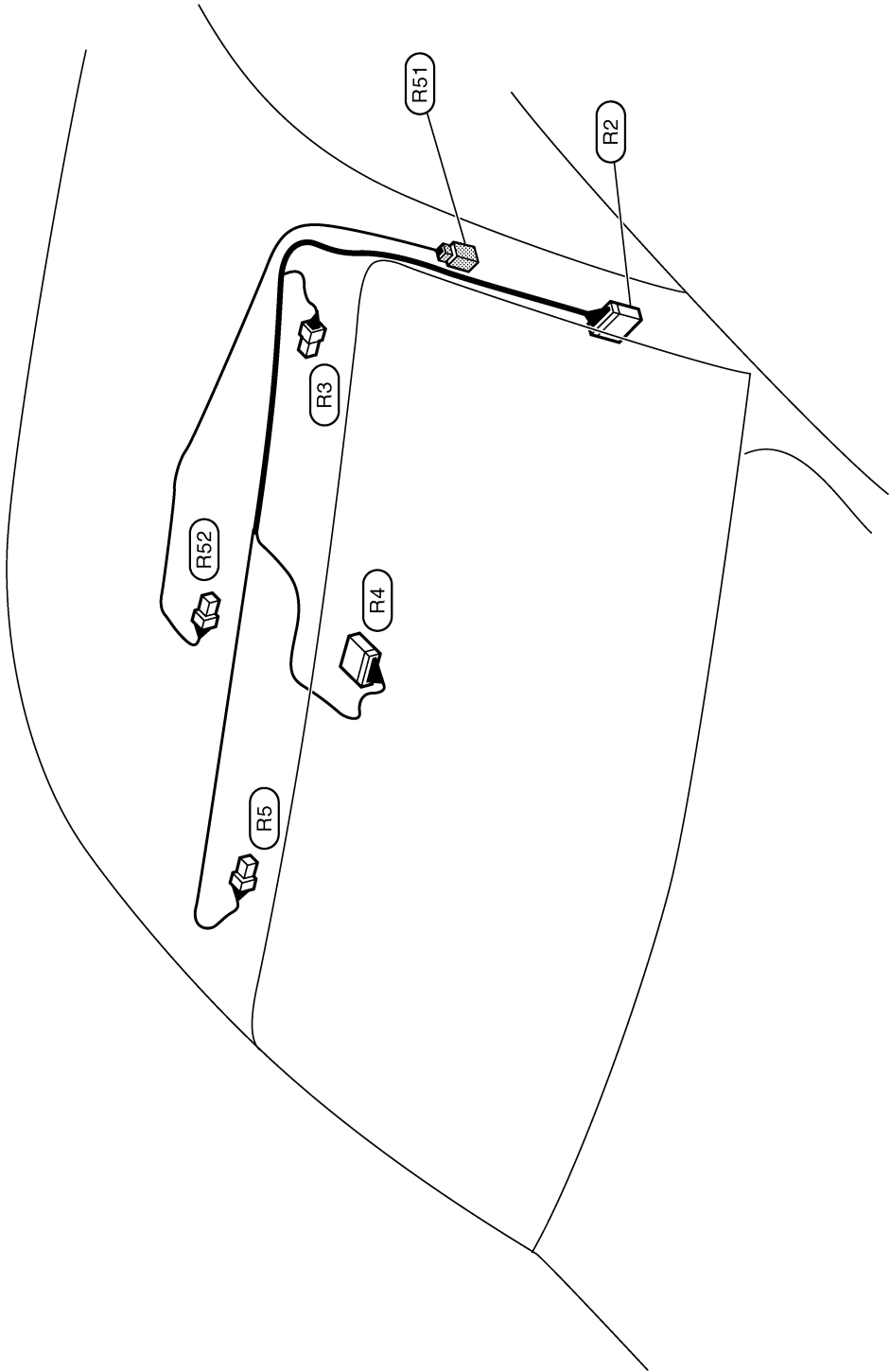
# HARNESS

## ROOM LAMP HARNESS Coupe Models

### Room lamp sub-harness

(R51) : To (M70)  
(R52) : Map lamp

(R2) : To (M93)  
(R3) : Vanity mirror lamp LH  
(R4) : Auto anti-dazzling inside mirror  
(R5) : Vanity mirror lamp RH



A  
B  
C  
D  
E  
F  
G  
H  
I  
J  
PG  
L  
M

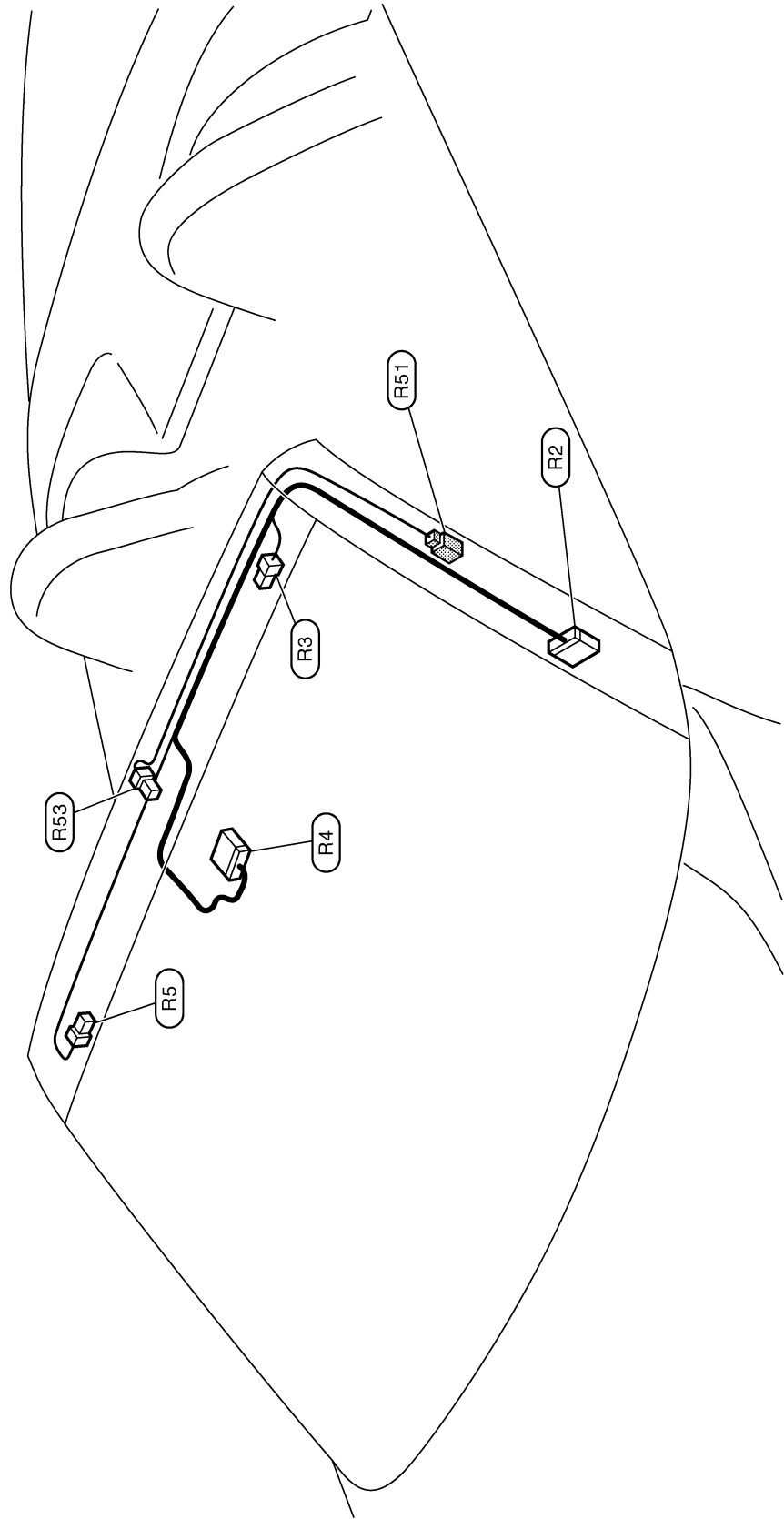
# HARNESS

## Roadster Models

### Room lamp sub-harness

(R51) W/4 : To (M70)  
(R53) W/4 : Map lamp

(R2) W/12 : To (M93)  
(R3) W/2 : Vanity mirror lamp LH  
(R4) B/10 : Auto anti-dazzling inside mirror  
(R5) W/2 : Vanity mirror lamp RH



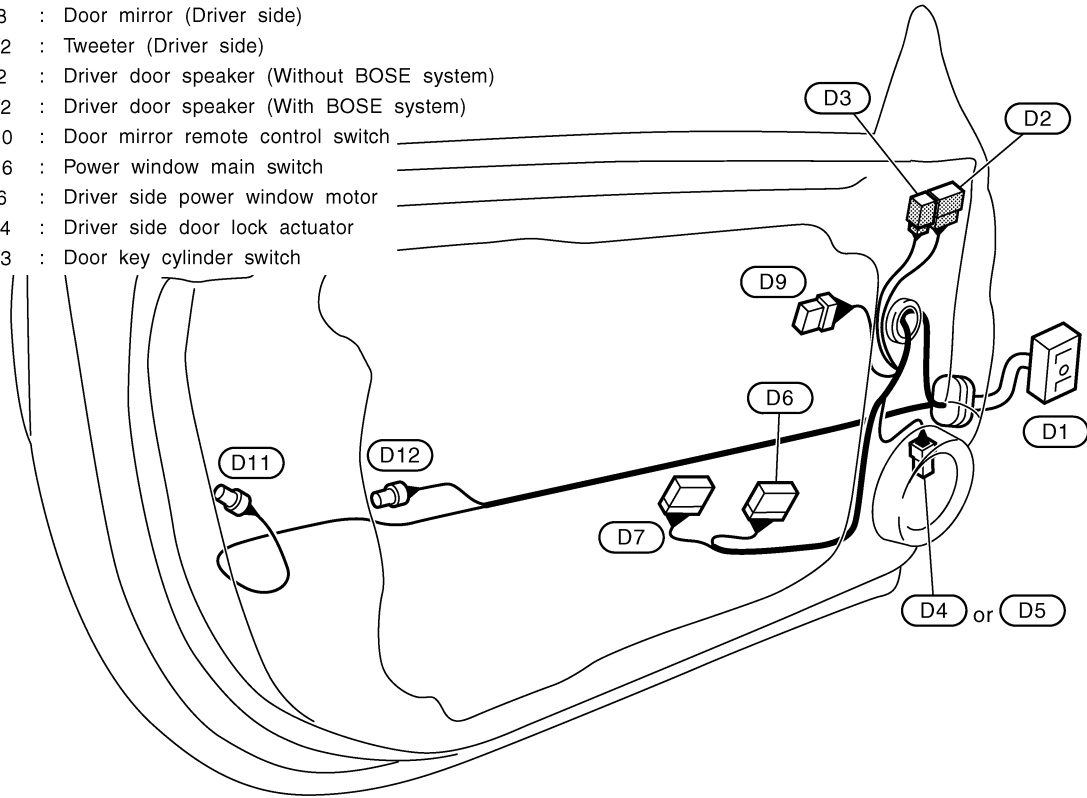
TKIT0302E

# HARNESS

## DOOR HARNESS

### Driver Side Door

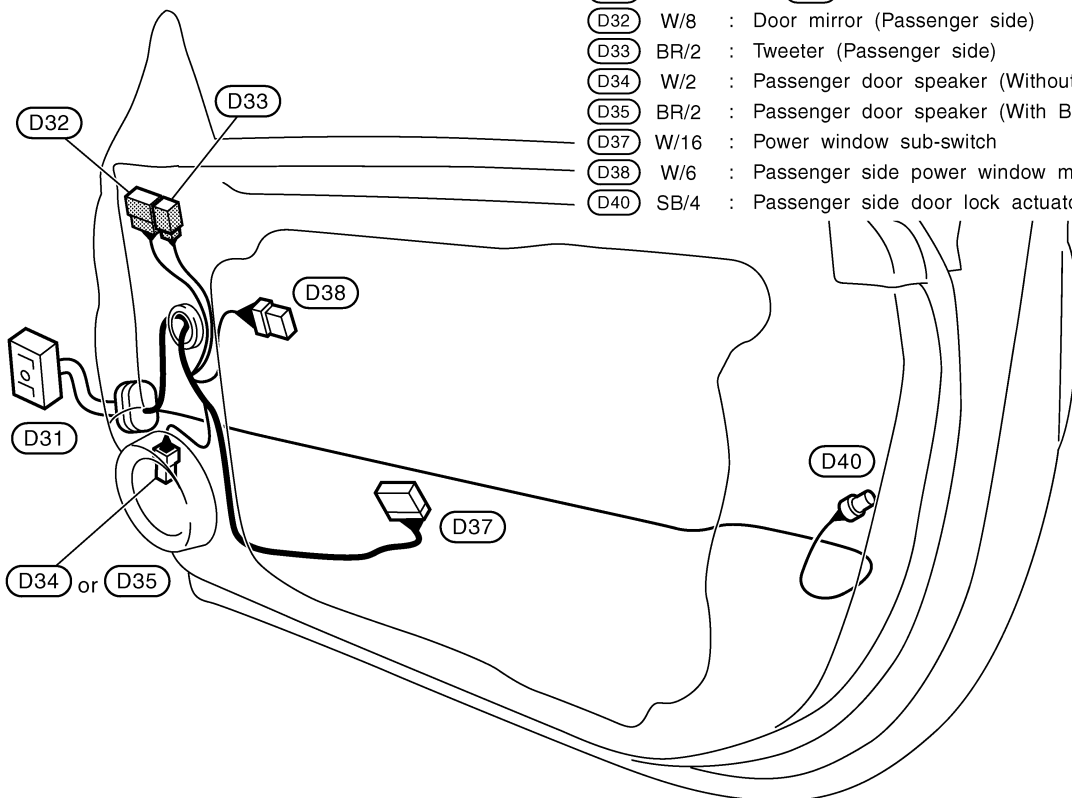
- (D1) SMJ : To (M11)
- (D2) W/8 : Door mirror (Driver side)
- (D3) BR/2 : Tweeter (Driver side)
- (D4) W/2 : Driver door speaker (Without BOSE system)
- (D5) BR/2 : Driver door speaker (With BOSE system)
- (D6) W/10 : Door mirror remote control switch
- (D7) W/16 : Power window main switch
- (D9) W/6 : Driver side power window motor
- (D11) SB/4 : Driver side door lock actuator
- (D12) BR/3 : Door key cylinder switch



TKIM0204E

### Passenger Side Door

- (D31) SMJ : To (M74)
- (D32) W/8 : Door mirror (Passenger side)
- (D33) BR/2 : Tweeter (Passenger side)
- (D34) W/2 : Passenger door speaker (Without BOSE system)
- (D35) BR/2 : Passenger door speaker (With BOSE system)
- (D37) W/16 : Power window sub-switch
- (D38) W/6 : Passenger side power window motor
- (D40) SB/4 : Passenger side door lock actuator



TKIM0205E

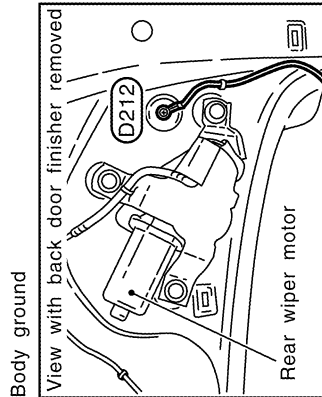
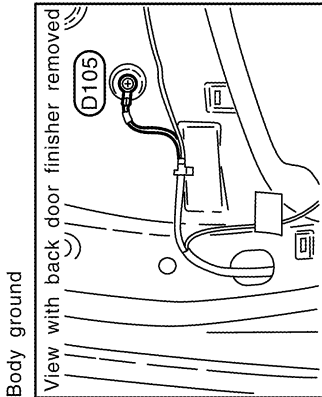
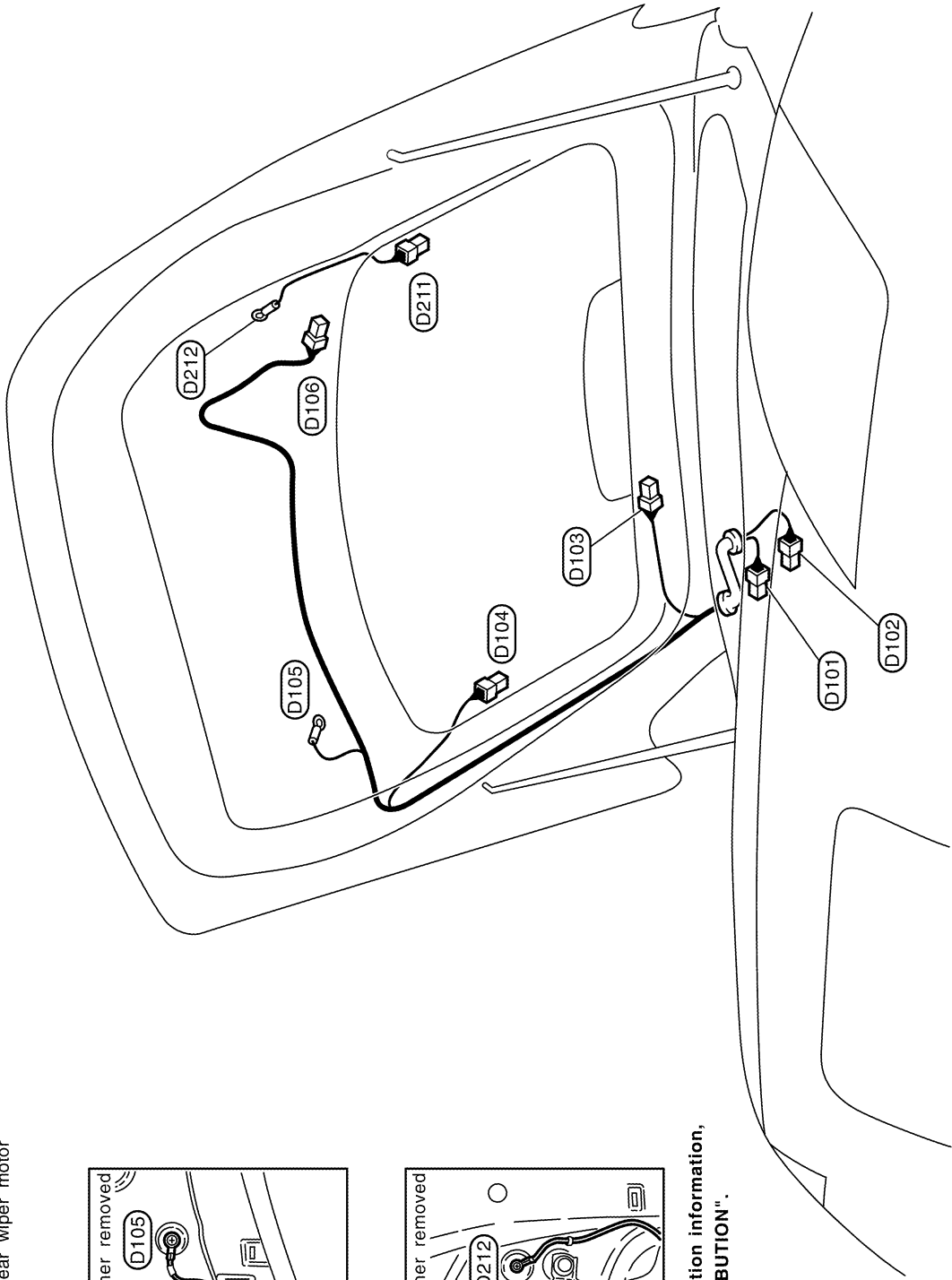
A  
B  
C  
D  
E  
F  
G  
H  
I  
J  
PG  
L  
M

# HARNESSES

## Back Door

**Defogger harness (-)**  
 (D211) B/1 : Rear window defogger (-)  
 (D212) -- : Body ground

(D101) W/3 : To (B38)  
 (D102) GY/2 : To (B39)  
 (D103) BR/2 : High-mounted stop lamp  
 (D104) B/1 : Rear window defogger  
 (D105) -- : Body ground  
 (D106) W/4 : Rear wiper motor



For detail ground distribution information, refer to "GROUND DISTRIBUTION".

TKIT0068E

# HARNESS

## Wiring Diagram Codes (Cell Codes)

AKS00A3P

Use the chart below to find out what each wiring diagram code stands for. Refer to the wiring diagram code in the alphabetical index to find the location (page number) of each wiring diagram.

Code	Section	Wiring Diagram Name
3METER	DI	Triple Meter
ABS	BRC	Anti-Lock Brake System
A/C	ATC	Air Conditioner
AF1B1	EC	Air Fuel Ratio Sensor 1 Bank 1
AF1B2	EC	Air Fuel Ratio Sensor 1 Bank 2
AF1HB1	EC	Air Fuel Ratio Sensor 1 Heater Bank 1
AF1HB2	EC	Air Fuel Ratio Sensor 1 Heater Bank 2
APPS1	EC	Accelerator Pedal Position Sensor
APPS2	EC	Accelerator Pedal Position Sensor
APPS3	EC	Accelerator Pedal Position Sensor
ASC/BS	EC	Automatic Speed Control Device (ASCD) Brake Switch
ASC/SW	EC	Automatic Speed Control Device (ASCD) Steering Switch
ASCBOF	EC	Automatic Speed Control Device (ASCD) Brake Switch
ASCIND	EC	Automatic Speed Control Device (ASCD) Indicator
AT/IND	DI	A/T Indicator Lamp
AUDIO	AV	Audio
BACK/L	LT	Back-Up Lamp
BRK/SW	EC	Brake Switch
CAN	AT	CAN Communication Line
CAN	EC	CAN Communication Line
CAN	LAN	CAN System
CHARGE	SC	Charging System
CHIME	DI	Warning Chime
CLOCK	DI	Clock
COMBSW	LT	Combination Switch
COMM	AV	Audio Visual Communication Line
COOL/F	EC	Cooling Fan Control
DEF	GW	Rear Window Defogger
D/LOCK	BL	Power Door Lock
DTRL	LT	Headlamp - With Daytime Light System
ECM/PW	EC	ECM Power Supply for Back-Up
ECTS	EC	Engine Coolant Temperature Sensor
ETC1	EC	Electric Throttle Control Function
ETC2	EC	Electric Throttle Control Motor Relay
ETC3	EC	Electric Throttle Control Motor
EVCB1	EC	Exhaust Valve Timing Control Magnet Retarder (Bank 1)
EVCB2	EC	Exhaust Valve Timing Control Magnet Retarder (Bank 2)
EVCSB1	EC	Exhaust Valve Timing Control Position Sensor (Bank 1)
EVCSB2	EC	Exhaust Valve Timing Control Position Sensor (Bank 2)
F/LID	BL	Fuel Lid Opener
F/PUMP	EC	Fuel Pump

# HARNESS

Code	Section	Wiring Diagram Name
F/ROOF	RF	Soft Top
FTS	AT	A/T Fluid Temperature Sensor Circuit
FTTS	EC	Fuel Tank Temperature Sensor
FUELB1	EC	Fuel Injection System Function (Bank 1)
FUELB2	EC	Fuel Injection System Function (Bank 2)
H/LAMP	LT	Headlamp
HORN	WW	Horn
HSEAT	SE	Heated Seat
IATS	EC	Intake Air Temperature Sensor
IGNSYS	EC	Ignition System
ILL	LT	Illumination
I/MIRR	GW	Inside Mirror (Auto Anti-Dazzling Mirror)
INJECT	EC	Injector
IVCB1	EC	Intake Valve Timing Control Solenoid Valve Bank 1
IVCB2	EC	Intake Valve Timing Control Solenoid Valve Bank 2
KEYLES	BL	Remote Keyless Entry System
KS	EC	Knock Sensor
MAFS	EC	Mass Air Flow Sensor
MAIN	AT	Main Power Supply and Ground Circuit
MAIN	EC	Main Power Supply and Ground Circuit
M/ANT	AV	Manual Antenna
METER	DI	Speedometer, Tachometer, Temp. and Fuel Gauges
MIL/DL	EC	MIL & Data Link Connectors
MIRROR	GW	Power Door Mirror
MMSW	AT	Manual Mode Switch
NATS	BL	Nissan Anti-Theft System
NAVI	AV	Navigation System
NONDTC	AT	Non-Detective Items
O2H2B1	EC	Heated Oxygen Sensor 2 Heater Bank 1
O2H2B2	EC	Heated Oxygen Sensor 2 Heater Bank 2
O2S2B1	EC	Heated Oxygen Sensor 2 Bank 1
O2S2B2	EC	Heated Oxygen Sensor 2 Bank 2
PGC/V	EC	EVAP Canister Purge Volume Control Solenoid Valve
PHSB1	EC	Camshaft Position Sensor (PHASE) (Bank 1)
PHSB2	EC	Camshaft Position Sensor (PHASE) (Bank 2)
PNP/SW	AT	Park/Neutral Position Switch
PNP/SW	EC	Park/Neutral Position Switch
POS	EC	Crankshaft Position Sensor (CKPS) (POS)
POWER	PG	Power Supply Routing
PRE/SE	EC	EVAP Control System Pressure Sensor
P/SCKT	WW	Power Socket
PS/SEN	EC	Power Steering Pressure Sensor
ROOM/L	LT	Interior Room Lamp
RP/SEN	EC	Refrigerant Pressure Sensor



# HARNESSES

Code	Section	Wiring Diagram Name	
SEAT	SE	Power Seat	A
SEN/PW	EC	Sensor Power Supply	
SHIFT	AT	A/T Shift Lock System	B
SRS	SRS	Supplemental Restraint System	
START	SC	Starting System	
STOP/L	LT	Stop Lamp	C
STSIG	AT	Start Signal Circuit	
TAIL/L	LT	Parking, License and Tail Lamps	D
TCS	BRC	Traction Control System	
TLID	BL	Trunk Lid Opener	
TPS1	EC	Throttle Position Sensor (Sensor 1)	E
TPS2	EC	Throttle Position Sensor (Sensor 2)	
TPS3	EC	Throttle Position Sensor	
TRNSCV	BL	Homelink Universal Transceiver	F
TURN	LT	Turn Signal and Hazard Warning Lamp	
T/WARN	WT	Low Tire Pressure Warning System	G
VDC	BRC	Vehicle Dynamics Control System	
VEHSEC	BL	Vehicle Security System	H
VENT/V	EC	EVAP Canister Vent Control Valve	
VSSA/T	AT	Vehicle Speed Sensor A/T (Revolution Sensor)	
WARN	DI	Warning Lamps	I
WINDOW	GW	Power Window	
WIPER	WW	Front Wiper and Washer	J
WIP/R	WW	Rear Wiper and Washer	

PG

L

M

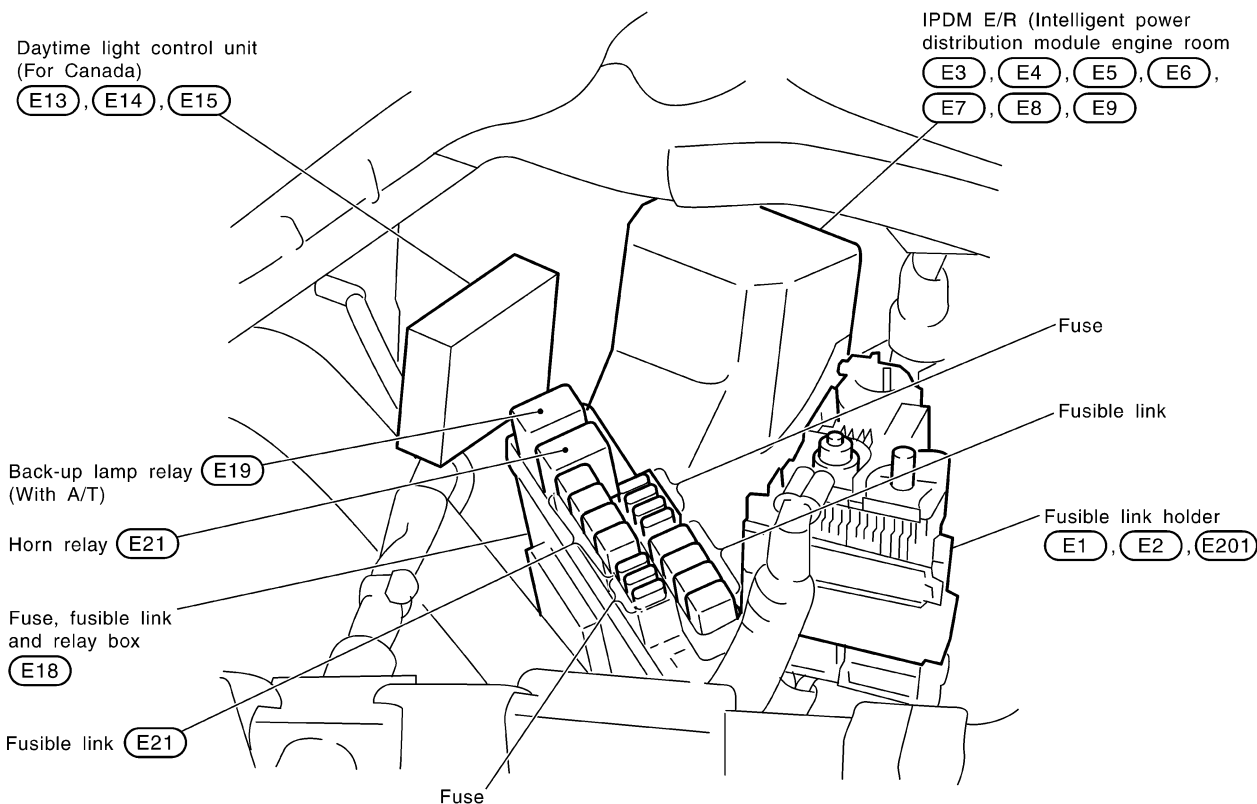
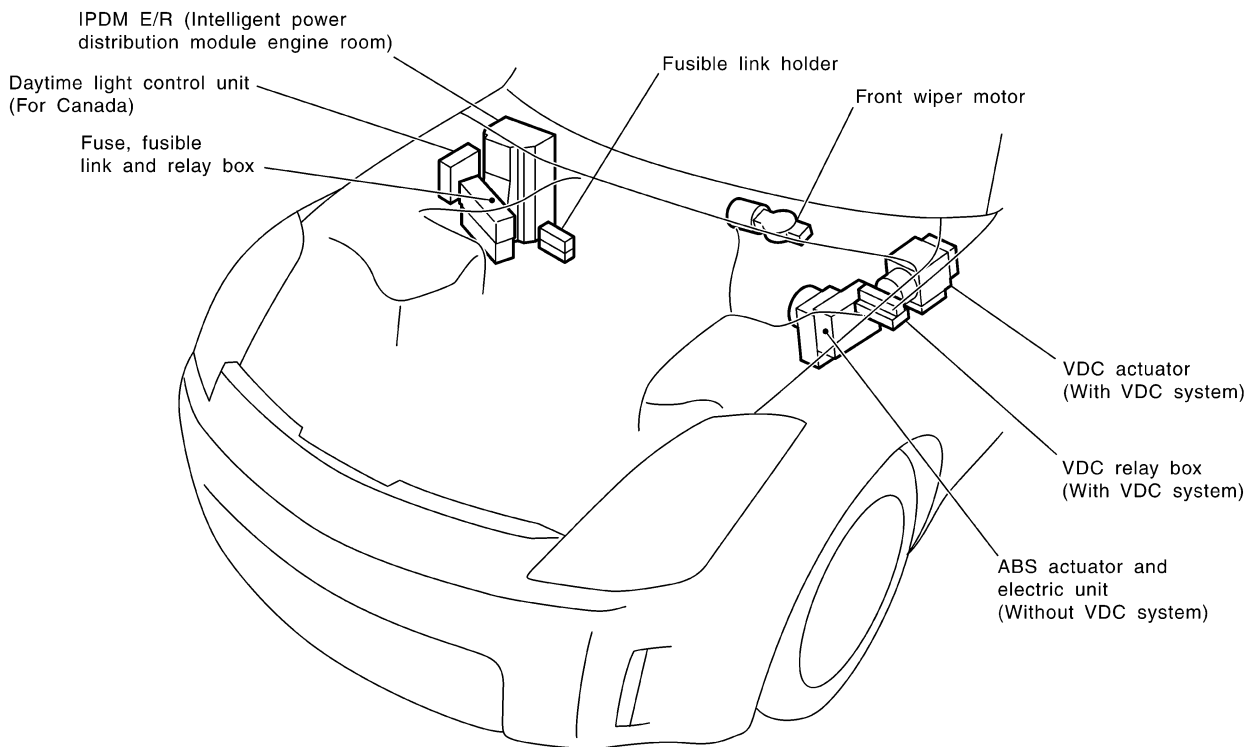
# ELECTRICAL UNITS LOCATION

## ELECTRICAL UNITS LOCATION

PF2:25230

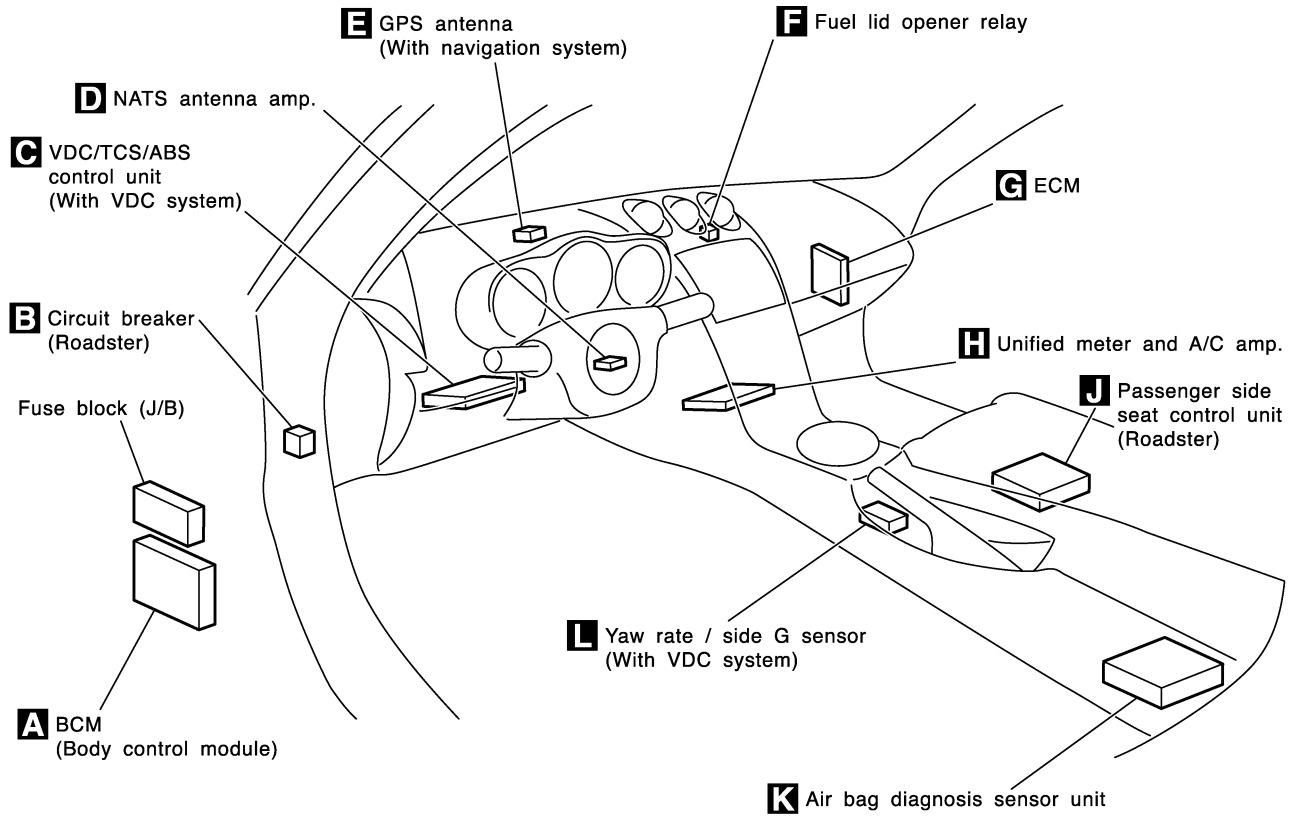
### Electrical Units Location ENGINE COMPARTMENT

AKS0012S



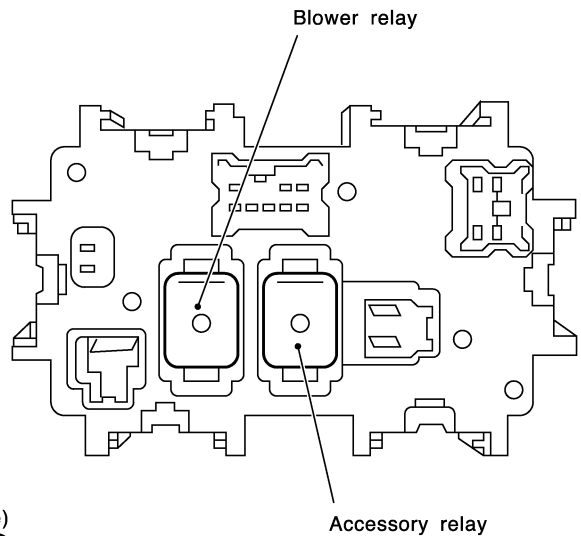
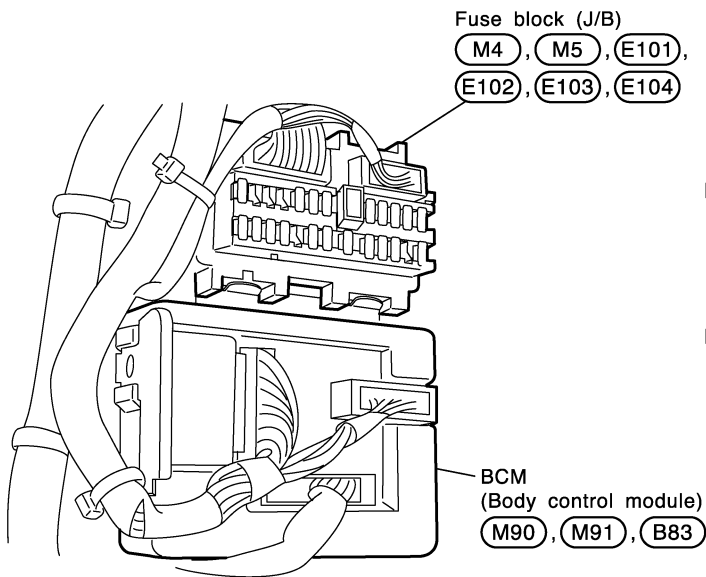
# ELECTRICAL UNITS LOCATION

## PASSENGER COMPARTMENT



**A** Behind the dash side lower LH finisher

Fuse block (J/B) rear view



A  
B  
C  
D  
E  
F  
G  
H  
I  
J

PG

L  
M

CKIT0541E

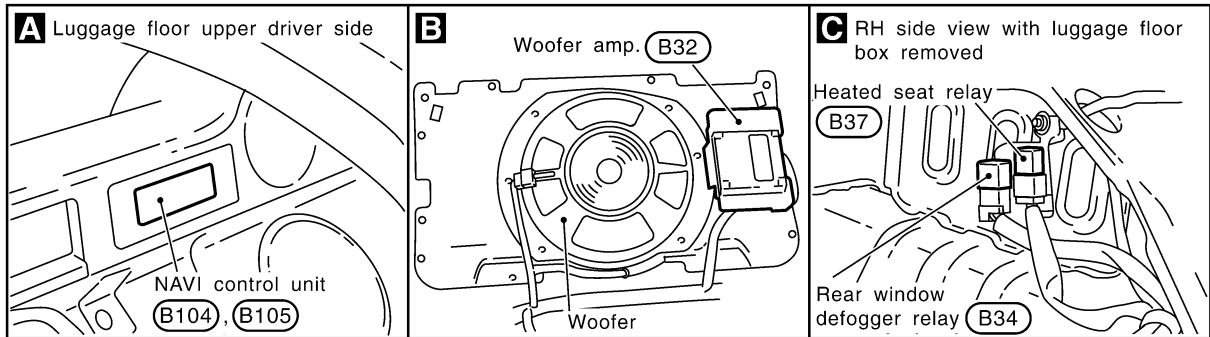
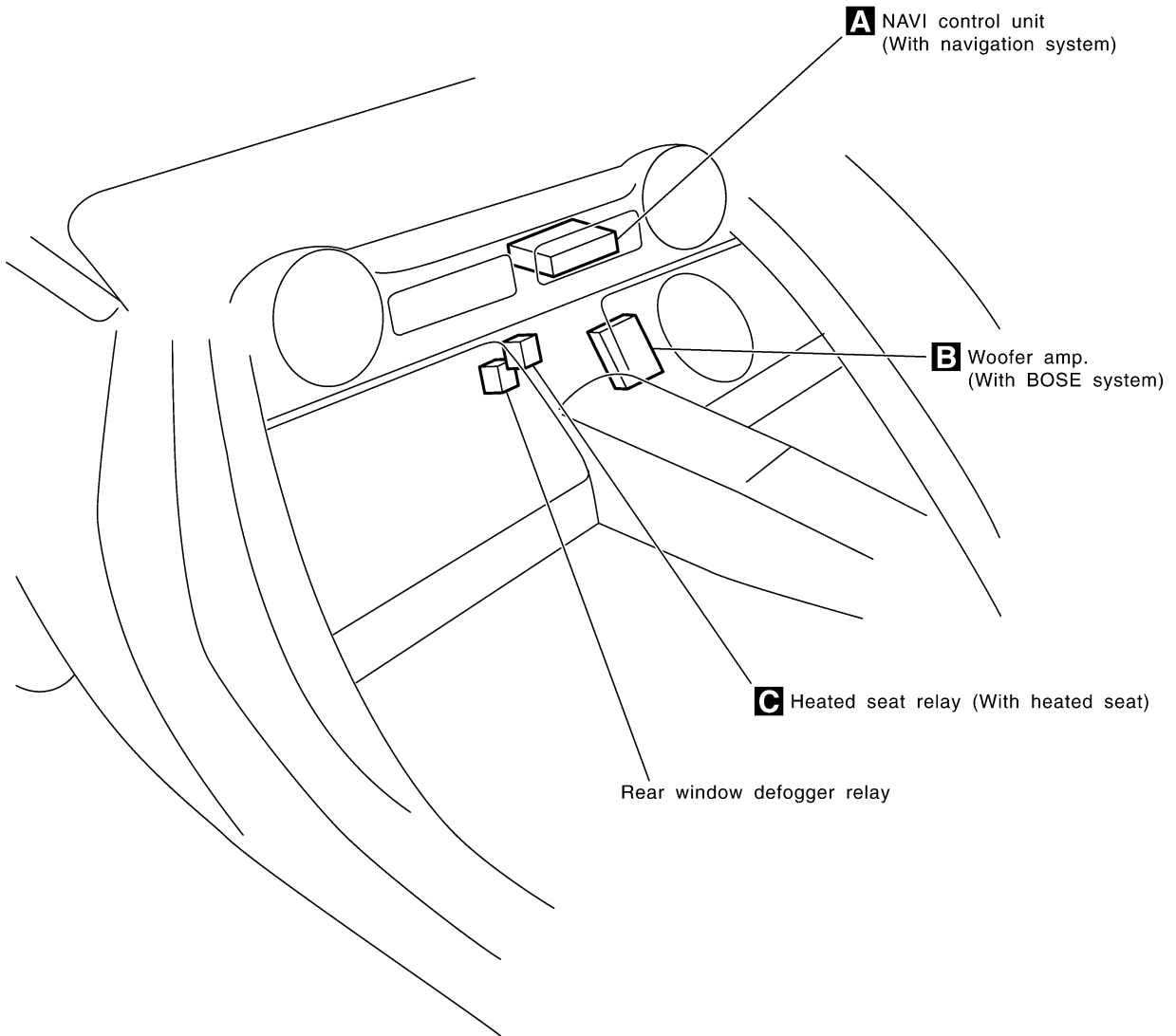
# ELECTRICAL UNITS LOCATION

<p><b>B</b> Driver side view with instrument lower panel removed</p> <p>Circuit breaker B55</p>	<p><b>C</b> Driver side view with instrument lower panel removed</p> <p>VDC/TCS/ABS control unit E118</p>	<p><b>D</b> View with steering column cover removed</p> <p>NATS antenna amp. M27 Ignition key cylinder</p>
<p><b>E</b> Driver side view with instrument upper panel removed</p> <p>GPS antenna</p>	<p><b>F</b> View with instrument panel removed</p> <p>Blower motor Fuel lid opener relay M59</p>	<p><b>G</b> Blower motor RH side</p> <p>ECM (F101)</p>
<p><b>H</b> View with console finisher removed</p> <p>Unified meter and A/C amp. M48, M49, M50</p>	<p><b>J</b> Under passenger seat</p> <p>Front Passenger side seat control unit B353, B354</p>	<p><b>K</b> View with floor console box removed</p> <p>Parking brake lever Air bag diagnosis sensor unit M55, B13, B14</p>
<p><b>L</b> View with floor console box removed</p> <p>parking brake lever Yaw rate / side G sensor M51</p>		

CKIT0542E

# ELECTRICAL UNITS LOCATION

A  
B  
C  
D  
E  
F  
G  
H  
I  
J  
PG  
L  
M

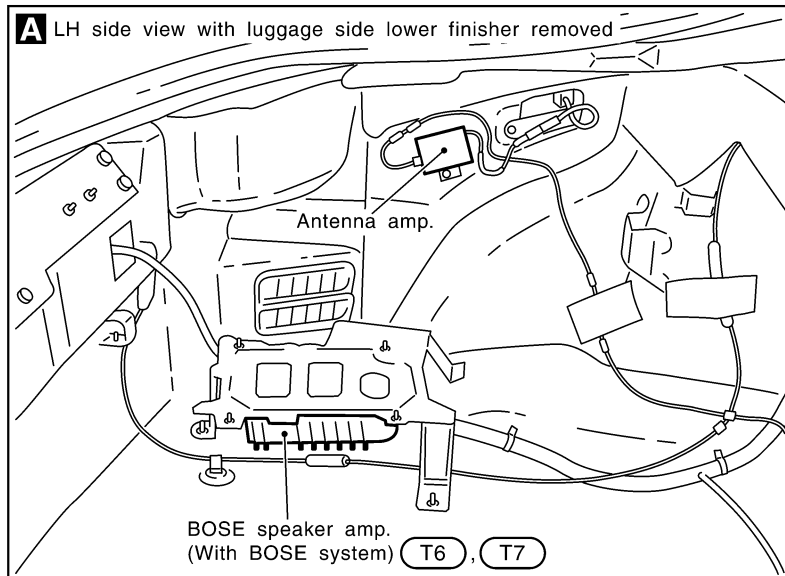
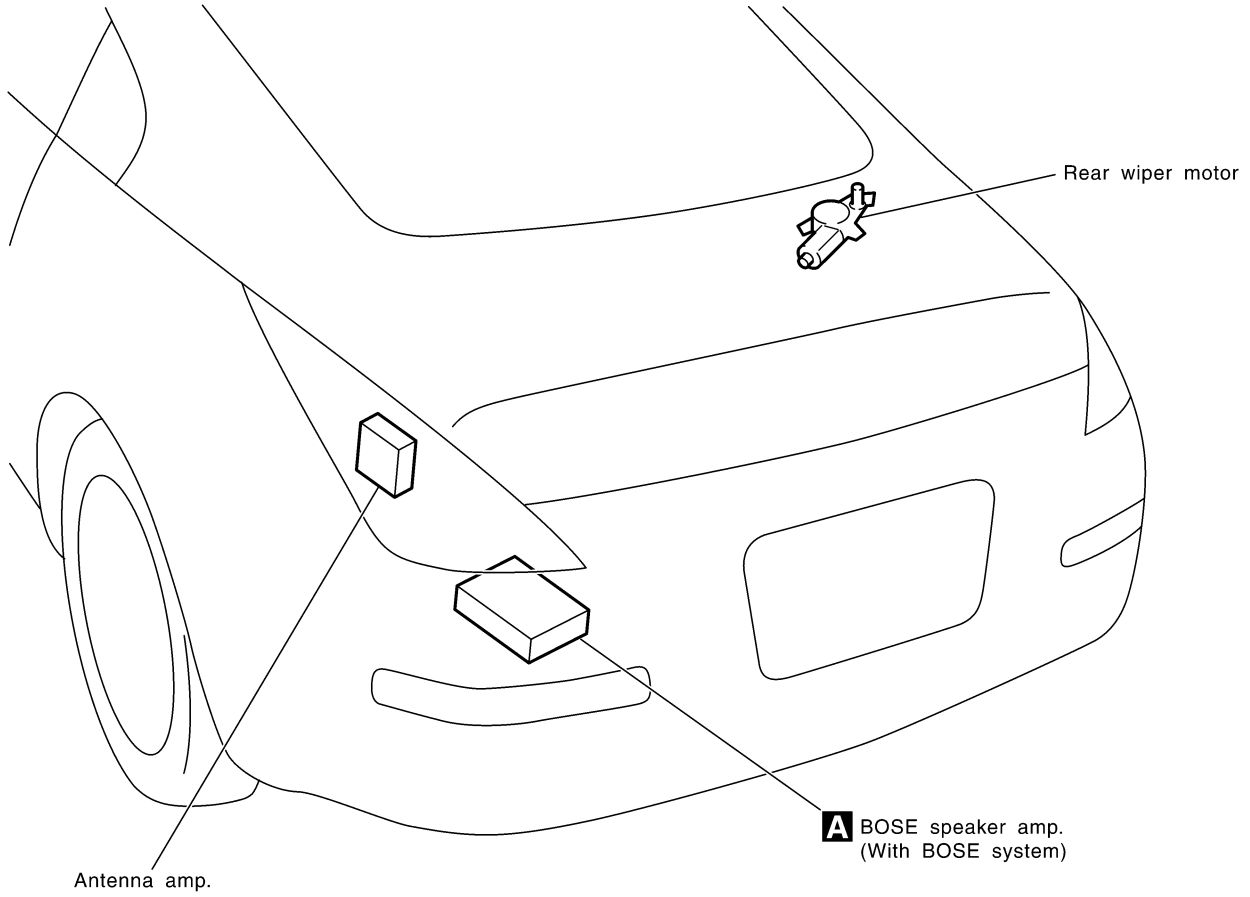


CKIT0349E

# ELECTRICAL UNITS LOCATION

## LUGGAGE COMPARTMENT

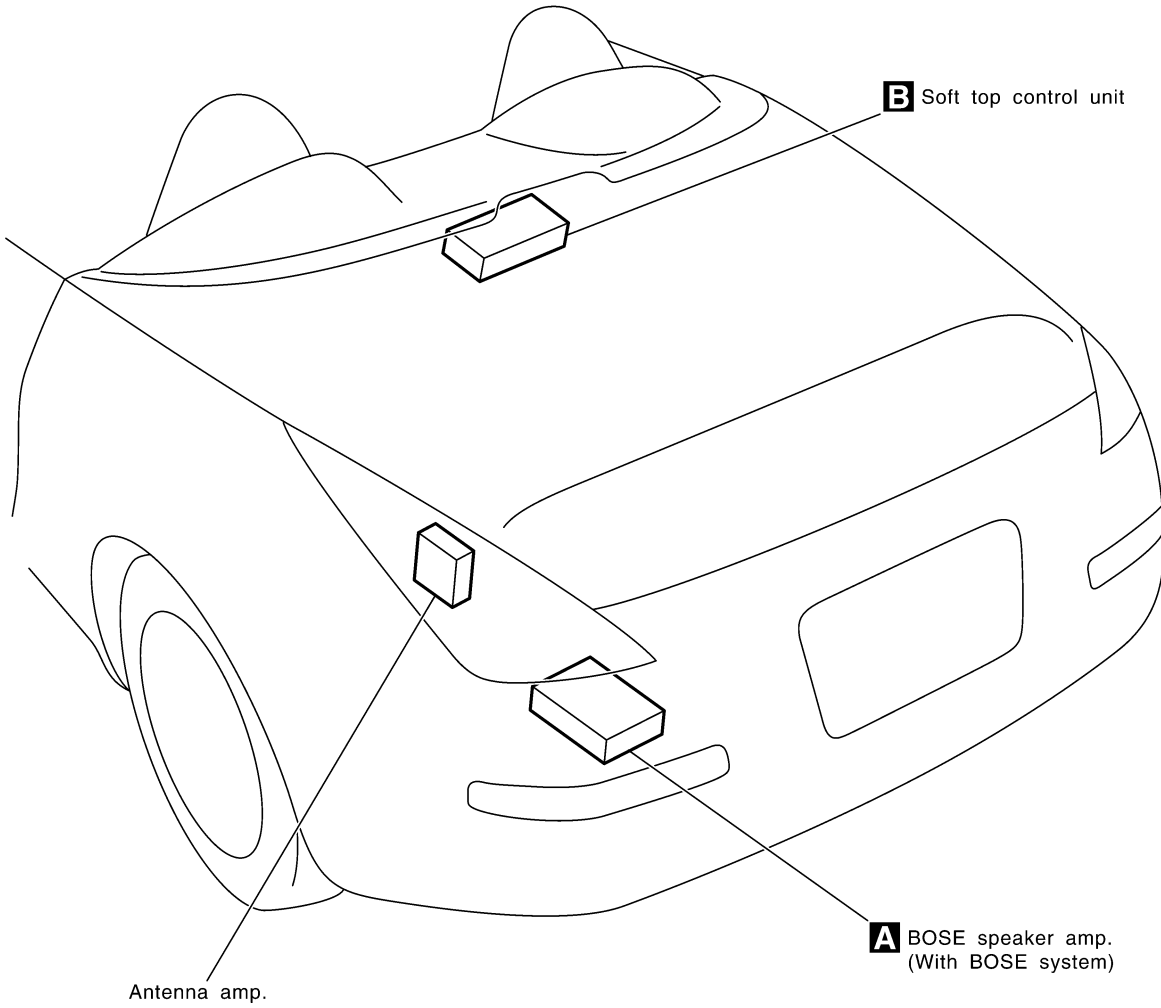
### Coupe Models



CKIT0216E

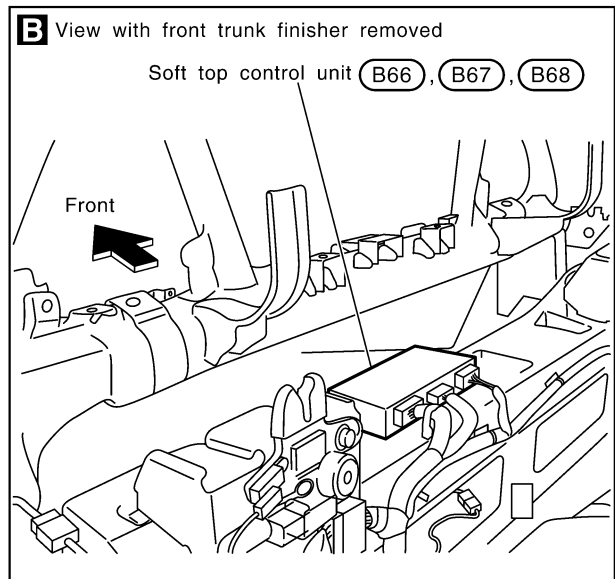
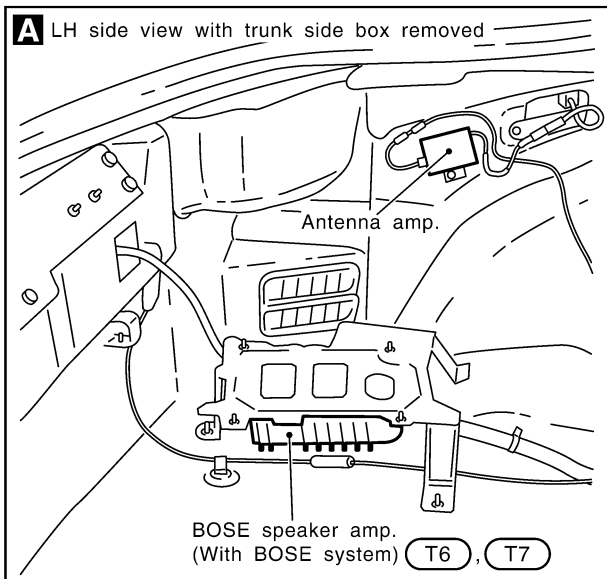
# ELECTRICAL UNITS LOCATION

## Roadster Models



A  
B  
C  
D  
E  
F  
G  
H  
I  
J

**PG**



L  
M

CKIT0350E

# HARNESS CONNECTOR

PFP:00011

AKS0012T

## HARNESS CONNECTOR

### Description

#### HARNESS CONNECTOR (TAB-LOCKING TYPE)

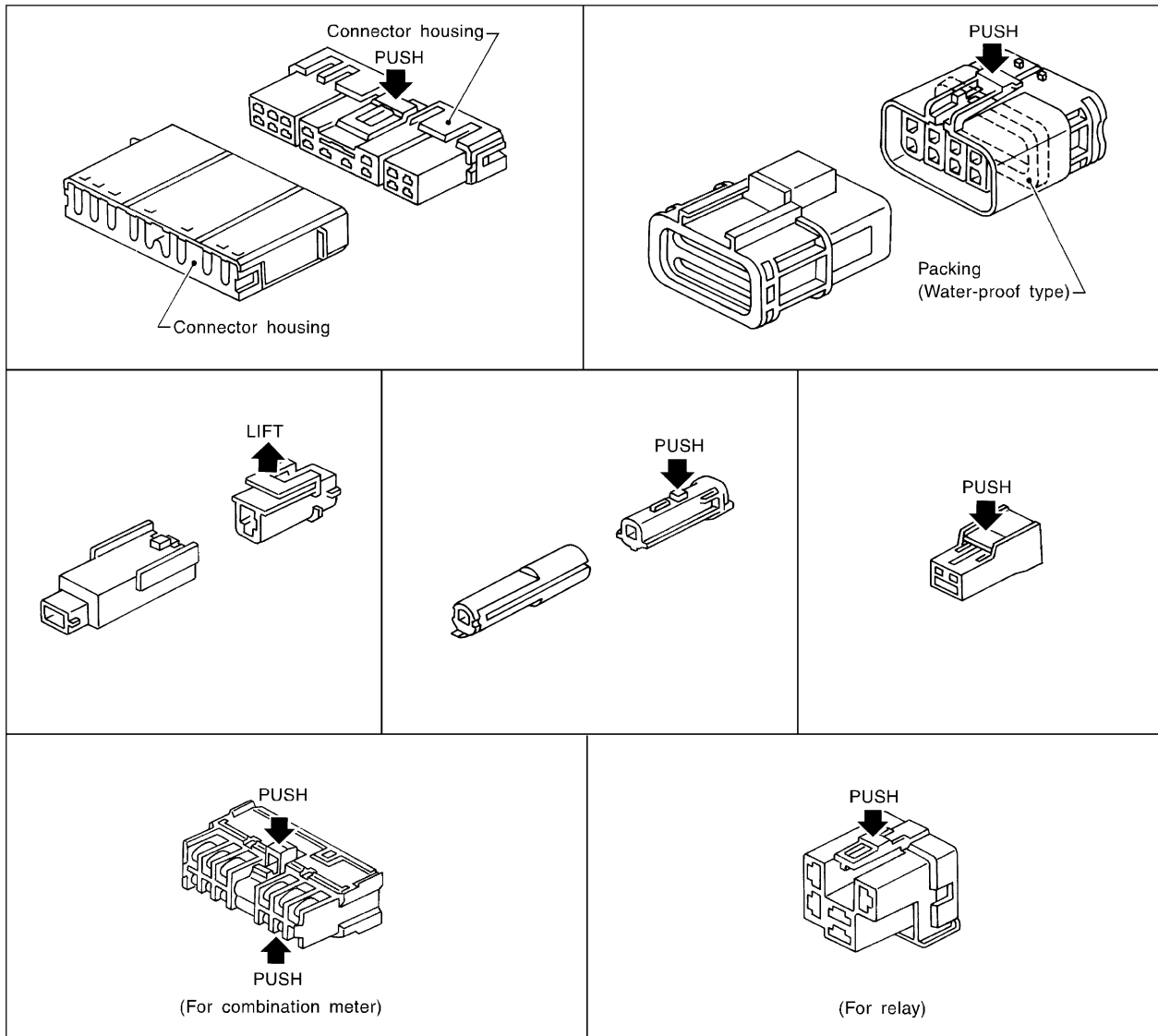
- The tab-locking type connectors help prevent accidental looseness or disconnection.
- The tab-locking type connectors are disconnected by pushing or lifting the locking tab(s). Refer to the figure below.

Refer to the next page for description of the slide-locking type connector.

#### CAUTION:

Do not pull the harness or wires when disconnecting the connector.

[Example]



SEL769DA



# HARNESS CONNECTOR

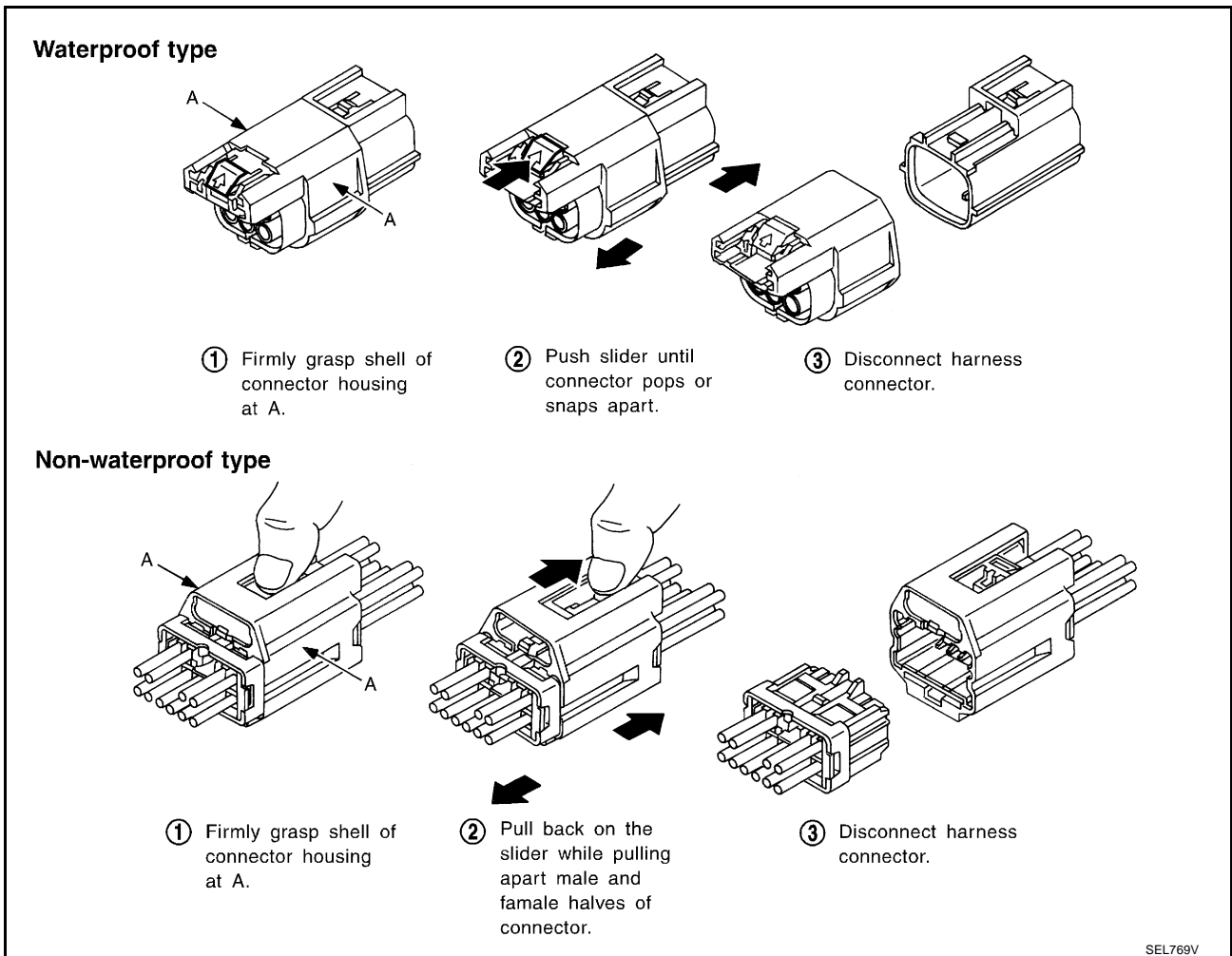
## HARNESS CONNECTOR (SLIDE-LOCKING TYPE)

- A new style slide-locking type connector is used on certain systems and components, especially those related to OBD.
- The slide-locking type connectors help prevent incomplete locking and accidental looseness or disconnection.
- The slide-locking type connectors are disconnected by pushing or pulling the slider. Refer to the figure below.

### CAUTION:

- Do not pull the harness or wires when disconnecting the connector.
- Be careful not to damage the connector support bracket when disconnecting the connector.

[Example]



A  
B  
C  
D  
E  
F  
G  
H  
I  
J  
PG  
L  
M

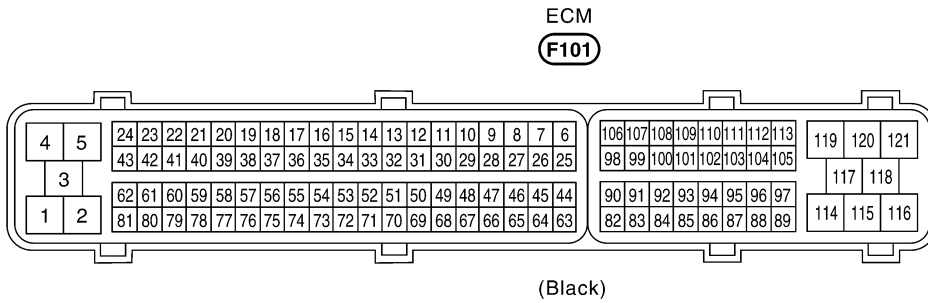
# ELECTRICAL UNITS

## ELECTRICAL UNITS

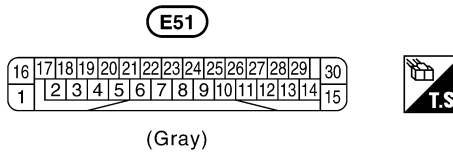
### Terminal Arrangement

PFP:00011

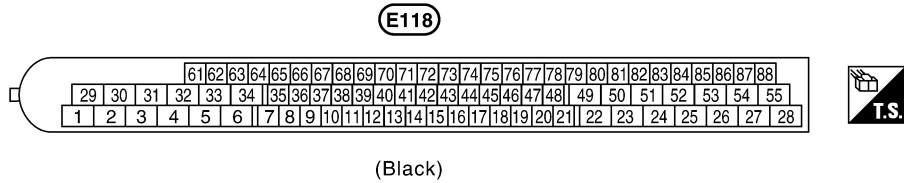
AKS0012V



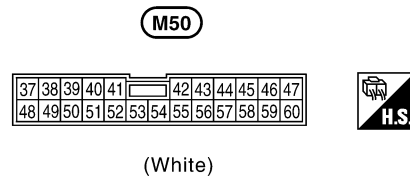
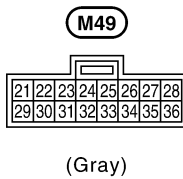
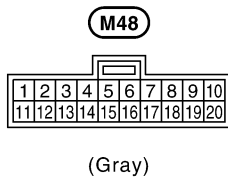
### ABS ACTUATOR AND ELECTRIC UNIT (CONTROL UNIT)



### VDC/TCS/ABS CONTROL UNIT



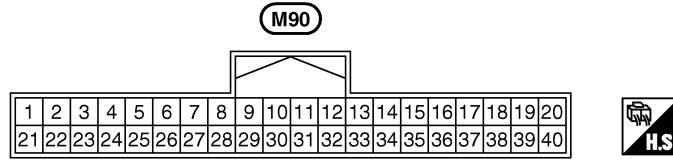
### UNIFIED METER AND A/C AMP.



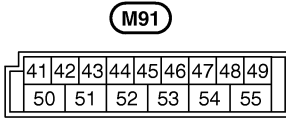
CKIT0294E

# ELECTRICAL UNITS

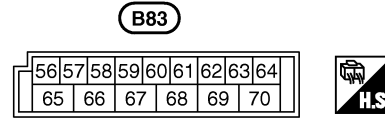
BCM (BODY CONTROL MODULE)



(White)



(Black)



(White)

A  
B  
C  
D  
E  
F  
G  
H  
I  
J  
PG  
L  
M

CKIT0647E

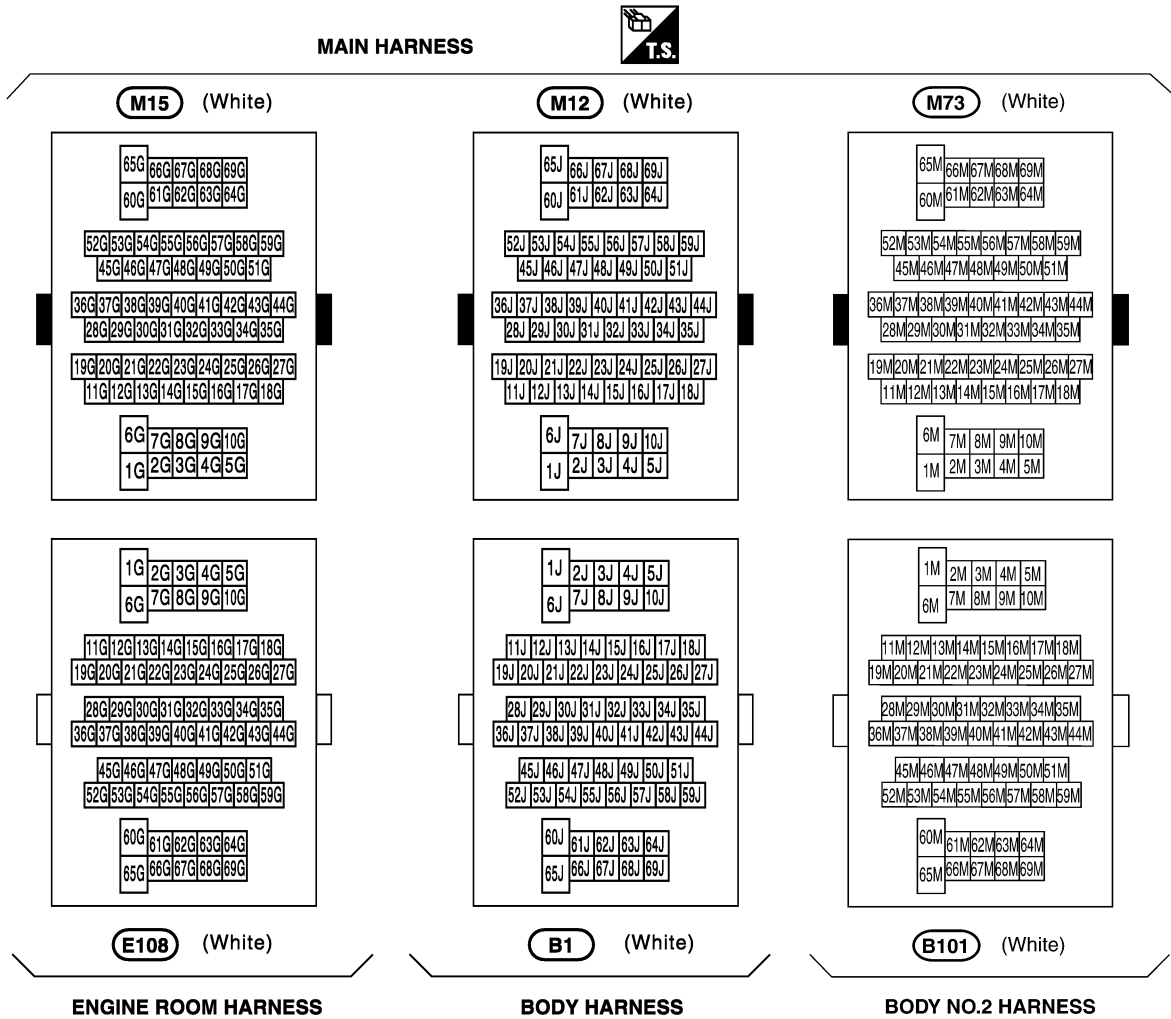
# SMJ (SUPER MULTIPLE JUNCTION)

## SMJ (SUPER MULTIPLE JUNCTION)

PF P:B4341

### Terminal Arrangement

AKS0012W



CKIT0543E

# SMJ (SUPER MULTIPLE JUNCTION)



## MAIN HARNESS

**M72** (White)

6H	7H	8H	9H	10H	21H	22H	23H	24H	25H	26H	27H	28H	29H	39H	40H	41H	42H	43H	44H	45H	46H		
1H	2H	3H	4H	5H	11H	12H	13H	14H	15H	16H	17H	18H	19H	20H	30H	31H	32H	33H	34H	35H	36H	37H	38H

1H	2H	3H	4H	5H	11H	12H	13H	14H	15H	16H	17H	18H	19H	20H	30H	31H	32H	33H	34H	35H	36H	37H	38H
6H	7H	8H	9H	10H	21H	22H	23H	24H	25H	26H	27H	28H	29H	39H	40H	41H	42H	43H	44H	45H	46H		

**F102** (White)

## ENGINE CONTROL HARNESS



## MAIN HARNESS

**M11** (White)

20K	21K	22K	23K	24K	25K	26K	27K	36K	37K	38K	39K		
11K	12K	13K	14K	15K	16K	17K	18K	19K	32K	33K	34K	35K	
1K	2K	3K	4K	5K	6K	7K	8K	9K	10K	28K	29K	30K	31K

**M74** (White)

20L	21L	22L	23L	24L	25L	26L	27L	36L	37L	38L	39L		
11L	12L	13L	14L	15L	16L	17L	18L	19L	32L	33L	34L	35L	
1L	2L	3L	4L	5L	6L	7L	8L	9L	10L	28L	29L	30L	31L

1K	2K	3K	4K	5K	6K	7K	8K	9K	10K	28K	29K	30K	31K
11K	12K	13K	14K	15K	16K	17K	18K	19K	32K	33K	34K	35K	
20K	21K	22K	23K	24K	25K	26K	27K	36K	37K	38K	39K		

1L	2L	3L	4L	5L	6L	7L	8L	9L	10L	28L	29L	30L	31L
11L	12L	13L	14L	15L	16L	17L	18L	19L	32L	33L	34L	35L	
20L	21L	22L	23L	24L	25L	26L	27L	36L	37L	38L	39L		

**D1** (White)

## FRONT DOOR HARNESS (DRIVER SIDE)

**D31** (White)

## FRONT DOOR HARNESS (PASSENGER SIDE)

A  
B  
C  
D  
E  
F  
G  
H  
I  
J  
L  
M

# STANDARDIZED RELAY

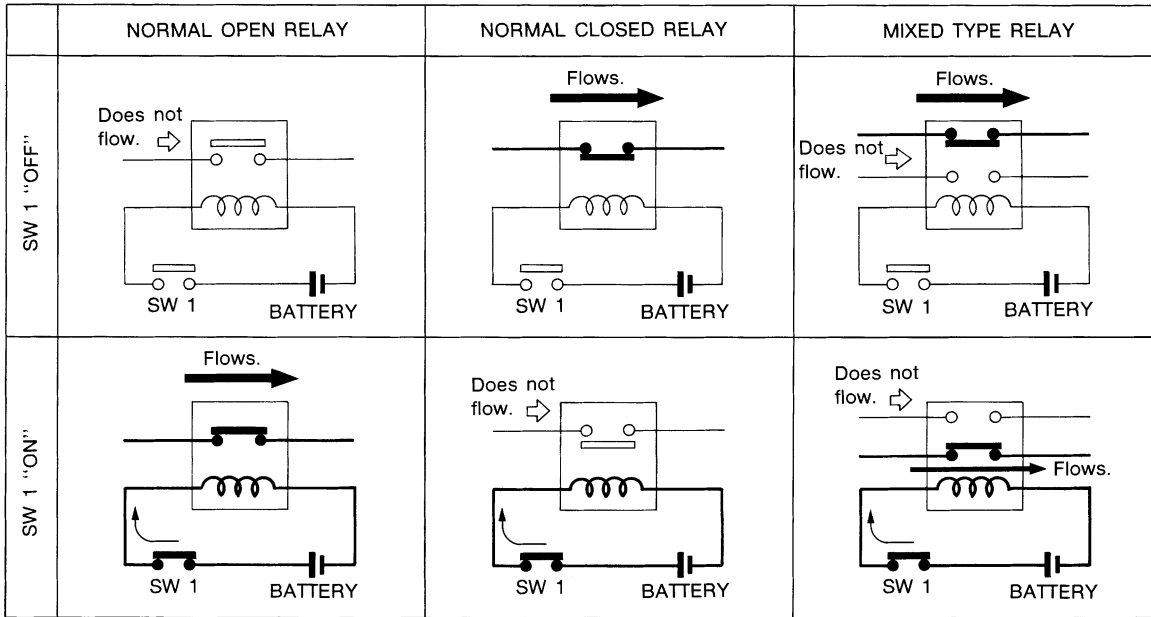
PFP:00011

AKS0012X

## STANDARDIZED RELAY

### Description NORMAL OPEN, NORMAL CLOSED AND MIXED TYPE RELAYS

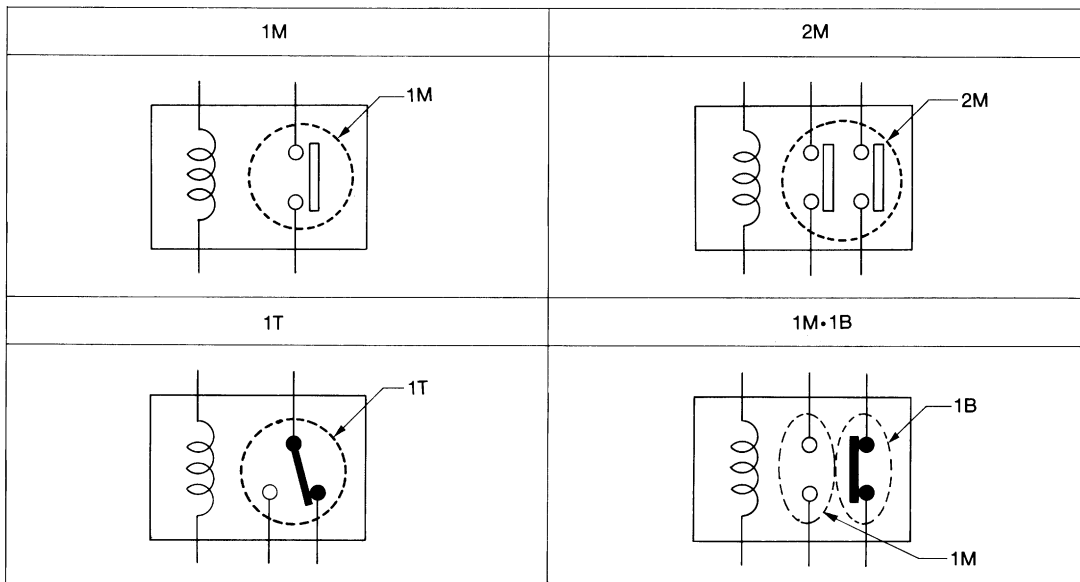
Relays can mainly be divided into three types: normal open, normal closed and mixed type relays.



SEL881H

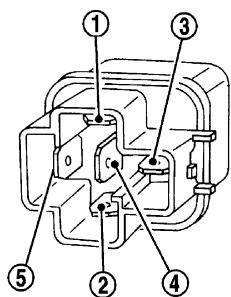
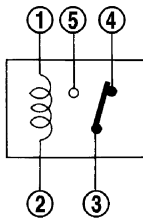
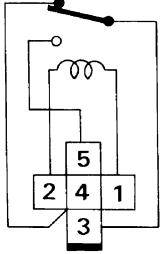
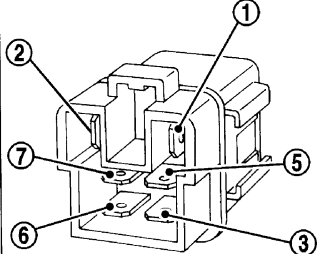
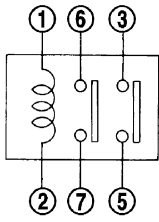
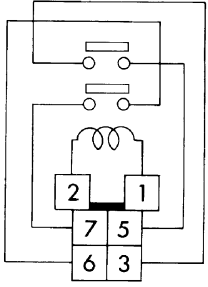
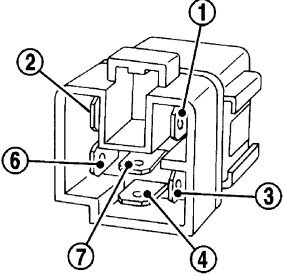
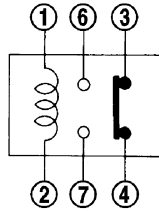
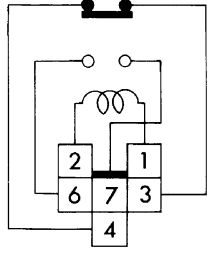
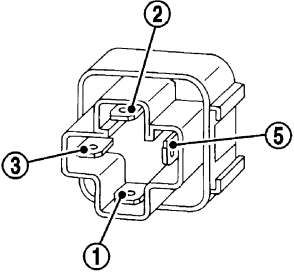
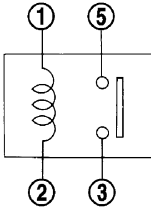
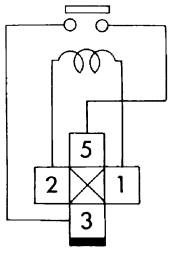
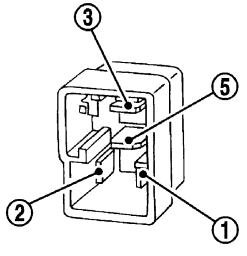
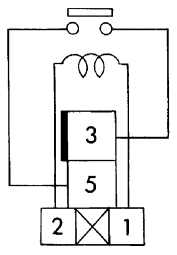
### TYPE OF STANDARDIZED RELAYS

- 1M ..... 1 Make
- 2M ..... 2 Make
- 1T ..... 1 Transfer
- 1M·1B ..... 1 Make 1 Break



SEL882H

# STANDARDIZED RELAY

Type	Outer view	Circuit	Connector symbol and connection	Case color
1T				BLACK
2M				BROWN
1M•1B				GRAY
1M				BLUE
				

The arrangement of terminal numbers on the actual relays may differ from those shown above.

SEL188W

A  
B  
C  
D  
E  
F  
G  
H  
I  
J  
PG  
L  
M

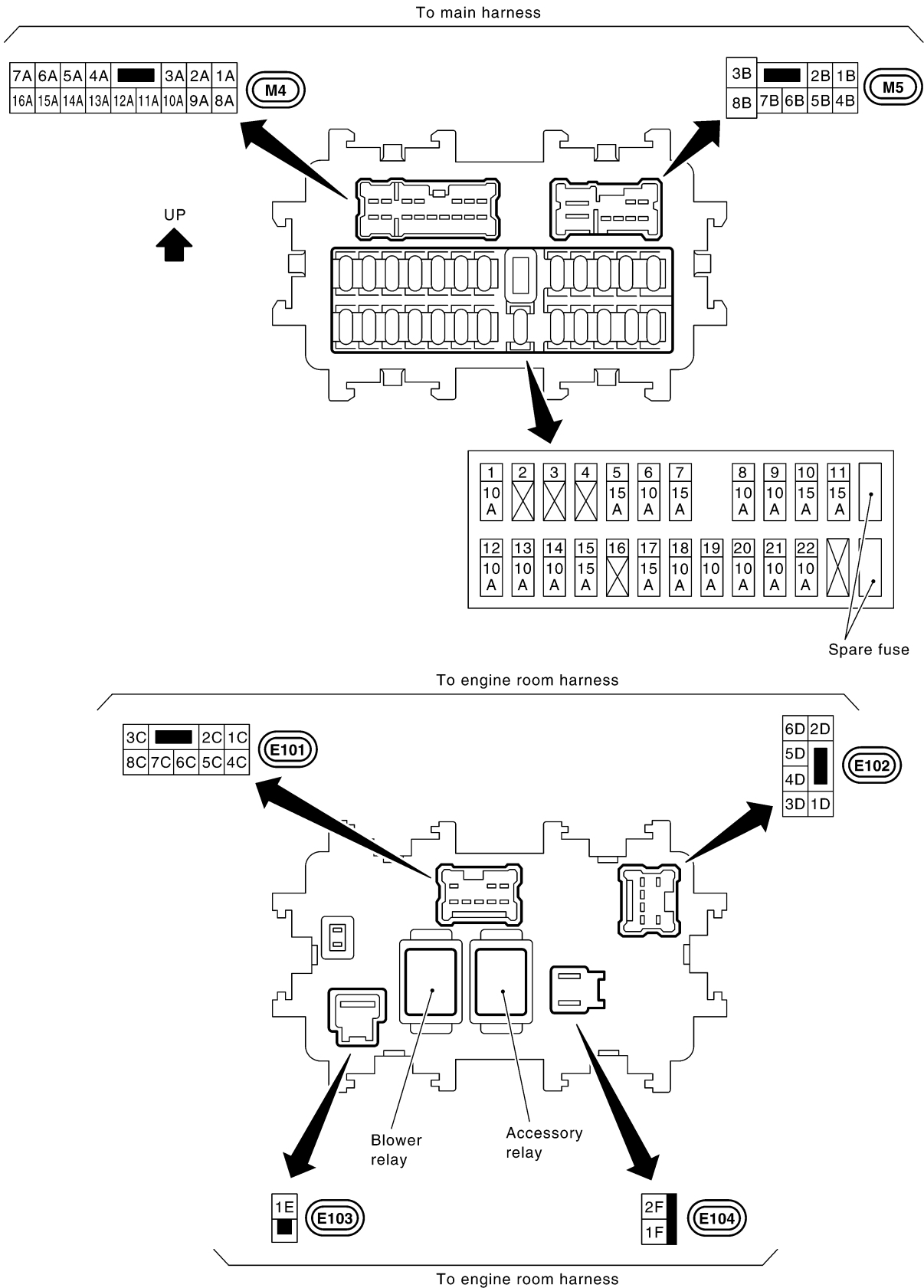
# FUSE BLOCK - JUNCTION BOX (J/B)

PFP:24350

AKS0012Y

## FUSE BLOCK - JUNCTION BOX (J/B)

### Terminal Arrangement



CKIT0363E



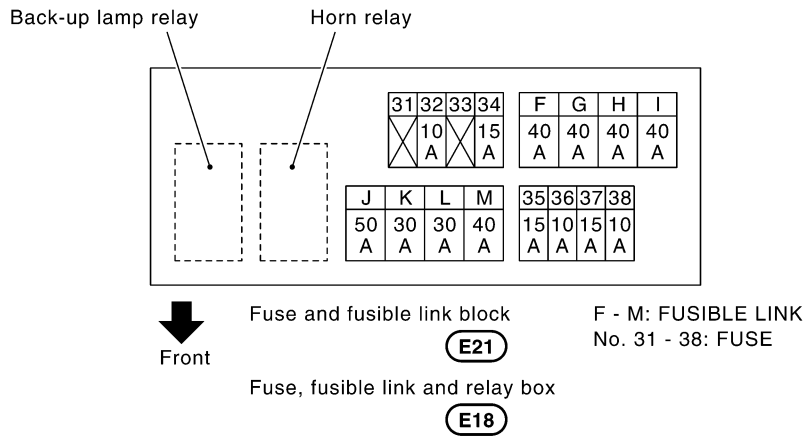
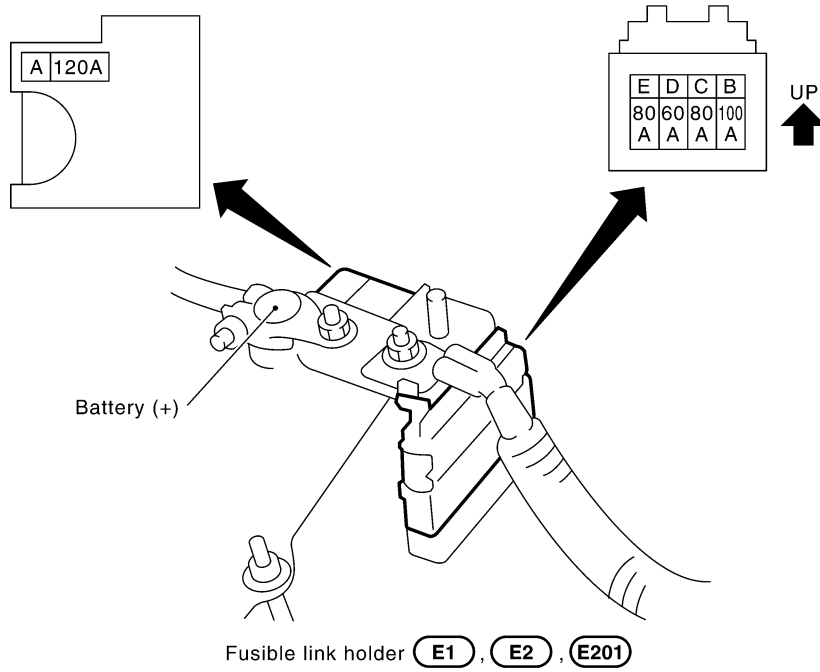
# FUSE, FUSIBLE LINK AND RELAY BOX

## FUSE, FUSIBLE LINK AND RELAY BOX

PPF:24382

### Terminal Arrangement

AKS0012Z



A  
B  
C  
D  
E  
F  
G  
H  
I  
J  
PG  
L  
M

# FUSE, FUSIBLE LINK AND RELAY BOX

---