

A  
EC  
C  
D  
E  
F  
G  
H  
I  
J  
K  
L  
M

# SECTION EC

## ENGINE CONTROL SYSTEM

### CONTENTS

<b>INDEX FOR DTC</b> .....	<b>8</b>	Malfunction Indicator Lamp (MIL) .....	71
Alphabetical Index .....	8	OBD System Operation Chart .....	74
DTC No. Index .....	12	<b>TROUBLE DIAGNOSIS</b> .....	<b>80</b>
<b>PRECAUTIONS</b> .....	<b>16</b>	Trouble Diagnosis Introduction .....	80
Precautions for Supplemental Restraint System (SRS) "AIR BAG" and "SEAT BELT PRE-TENSIONER" .....	16	DTC Inspection Priority Chart .....	83
Precautions for Battery Service .....	16	Fail-safe Chart .....	85
On Board Diagnostic (OBD) System of Engine and A/T .....	16	Basic Inspection .....	86
Precaution .....	17	Symptom Matrix Chart .....	91
Wiring Diagrams and Trouble Diagnosis .....	19	Engine Control Component Parts Location .....	95
<b>PREPARATION</b> .....	<b>20</b>	Circuit Diagram .....	101
Special Service Tools .....	20	ECM Harness Connector Terminal Layout .....	103
Commercial Service Tools .....	21	ECM Terminals and Reference Value .....	103
<b>ENGINE CONTROL SYSTEM</b> .....	<b>22</b>	CONSULT-II Function .....	112
System Diagram .....	22	Generic Scan Tool (GST) Function .....	124
Vacuum Hose Drawing .....	23	CONSULT-II Reference Value in Data Monitor ...	127
System Chart .....	24	Major Sensor Reference Graph in Data Monitor Mode .....	131
Multiport Fuel Injection (MFI) System .....	25	<b>TROUBLE DIAGNOSIS - SPECIFICATION VALUE</b> <b>133</b>	
Electronic Ignition (EI) System .....	27	Description .....	133
Air Conditioning Cut Control .....	28	Testing Condition .....	133
Fuel Cut Control (at No Load and High Engine Speed) .....	28	Inspection Procedure .....	133
CAN communication .....	30	Diagnostic Procedure .....	134
<b>BASIC SERVICE PROCEDURE</b> .....	<b>39</b>	<b>TROUBLE DIAGNOSIS FOR INTERMITTENT INCIDENT</b> .....	<b>137</b>
Idle Speed and Ignition Timing Check .....	39	Description .....	137
Idle Speed/Ignition Timing/Idle Mixture Ratio Adjustment .....	40	Diagnostic Procedure .....	137
Accelerator Pedal Released Position Learning .....	50	<b>POWER SUPPLY CIRCUIT FOR ECM</b> .....	<b>138</b>
Throttle Valve Closed Position Learning .....	51	Wiring Diagram .....	138
Idle Air Volume Learning .....	51	Diagnostic Procedure .....	141
Fuel Pressure Check .....	53	<b>DTC U1000, U1001 CAN COMMUNICATION LINE</b> <b>145</b>	
<b>ON BOARD DIAGNOSTIC (OBD) SYSTEM</b> .....	<b>55</b>	Description .....	145
Introduction .....	55	On Board Diagnosis Logic .....	145
Two Trip Detection Logic .....	55	DTC Confirmation Procedure .....	145
Emission-related Diagnostic Information .....	56	Wiring Diagram .....	146
NVIS (Nissan Vehicle Immobilizer System—NATS) ...	71	Diagnostic Procedure .....	147
		<b>DTC P0011, P0021 IVT CONTROL</b> .....	<b>148</b>
		Description .....	148
		CONSULT-II Reference Value in Data Monitor Mode .....	148
		On Board Diagnosis Logic .....	149

DTC Confirmation Procedure .....	149	<b>DTC P0122, P0123 TP SENSOR .....</b>	<b>192</b>
Diagnostic Procedure .....	150	Component Description .....	192
<b>DTC P0031, P0032, P0051, P0052 HO2S1 HEATER 151</b>		CONSULT-II Reference Value in Data Monitor Mode .....	192
Description .....	151	On Board Diagnosis Logic .....	192
CONSULT-II Reference Value in Data Monitor Mode .....	151	DTC Confirmation Procedure .....	193
On Board Diagnosis Logic .....	151	Wiring Diagram .....	194
DTC Confirmation Procedure .....	152	Diagnostic Procedure .....	195
Wiring Diagram .....	153	Component Inspection .....	198
Diagnostic Procedure .....	156	Removal and Installation .....	198
Component Inspection .....	158	<b>DTC P0125 ECT SENSOR .....</b>	<b>199</b>
Removal and Installation .....	158	Component Description .....	199
<b>DTC P0037, P0038, P0057, P0058 HO2S2 HEATER 159</b>		On Board Diagnosis Logic .....	199
Description .....	159	DTC Confirmation Procedure .....	200
CONSULT-II Reference Value in Data Monitor Mode .....	159	Diagnostic Procedure .....	200
On Board Diagnosis Logic .....	159	Component Inspection .....	201
DTC Confirmation Procedure .....	160	Removal and Installation .....	201
Wiring Diagram .....	161	<b>DTC P0127 IAT SENSOR .....</b>	<b>202</b>
Diagnostic Procedure .....	164	Component Description .....	202
Component Inspection .....	166	On Board Diagnosis Logic .....	202
Removal and Installation .....	166	DTC Confirmation Procedure .....	202
<b>DTC P0101 MAF SENSOR .....</b>	<b>167</b>	Diagnostic Procedure .....	203
Component Description .....	167	Component Inspection .....	203
CONSULT-II Reference Value in Data Monitor Mode .....	167	Removal and Installation .....	204
On Board Diagnosis Logic .....	167	<b>DTC P0128 THERMOSTAT FUNCTION .....</b>	<b>205</b>
DTC Confirmation Procedure .....	168	On Board Diagnosis Logic .....	205
Overall Function Check .....	169	DTC Confirmation Procedure .....	205
Wiring Diagram .....	170	Diagnostic Procedure .....	205
Diagnostic Procedure .....	171	Component Inspection .....	206
Component Inspection .....	174	Removal and Installation .....	206
Removal and Installation .....	174	<b>DTC P0132, P0152 HO2S1 .....</b>	<b>207</b>
<b>DTC P0102, P0103 MAF SENSOR .....</b>	<b>175</b>	Component Description .....	207
Component Description .....	175	CONSULT-II Reference Value in Data Monitor Mode .....	207
CONSULT-II Reference Value in Data Monitor Mode .....	175	On Board Diagnosis Logic .....	207
On Board Diagnosis Logic .....	175	DTC Confirmation Procedure .....	208
DTC Confirmation Procedure .....	176	Wiring Diagram .....	209
Wiring Diagram .....	177	Diagnostic Procedure .....	212
Diagnostic Procedure .....	178	Component Inspection .....	214
Component Inspection .....	181	Removal and Installation .....	216
Removal and Installation .....	181	<b>DTC P0133, P0153 HO2S1 .....</b>	<b>217</b>
<b>DTC P0112, P0113 IAT SENSOR .....</b>	<b>182</b>	Component Description .....	217
Component Description .....	182	CONSULT-II Reference Value in Data Monitor Mode .....	217
On Board Diagnosis Logic .....	182	On Board Diagnosis Logic .....	217
DTC Confirmation Procedure .....	182	DTC Confirmation Procedure .....	218
Wiring Diagram .....	184	Overall Function Check .....	219
Diagnostic Procedure .....	185	Wiring Diagram .....	220
Component Inspection .....	186	Diagnostic Procedure .....	223
Removal and Installation .....	186	Component Inspection .....	228
<b>DTC P0117, P0118 ECT SENSOR .....</b>	<b>187</b>	Removal and Installation .....	229
Component Description .....	187	<b>DTC P0134, P0154 HO2S1 .....</b>	<b>230</b>
On Board Diagnosis Logic .....	187	Component Description .....	230
DTC Confirmation Procedure .....	188	CONSULT-II Reference Value in Data Monitor Mode .....	230
Wiring Diagram .....	189	On Board Diagnosis Logic .....	230
Diagnostic Procedure .....	190	DTC Confirmation Procedure .....	231
Component Inspection .....	191	Overall Function Check .....	232
Removal and Installation .....	191	Wiring Diagram .....	233

Diagnostic Procedure .....	236	Diagnostic Procedure .....	289
Component Inspection .....	237	Component Inspection .....	292
Removal and Installation .....	239	Removal and Installation .....	292
<b>DTC P0138, P0158 HO2S2 .....</b>	<b>240</b>	<b>DTC P0300 - P0306 MULTIPLE CYLINDER MIS-</b>	
Component Description .....	240	<b>FIRE, NO. 1 - 6 CYLINDER MISFIRE .....</b>	<b>293</b>
CONSULT-II Reference Value in Data Monitor Mode		On Board Diagnosis Logic .....	293
	240	DTC Confirmation Procedure .....	293
On Board Diagnosis Logic .....	240	Diagnostic Procedure .....	294
DTC Confirmation Procedure .....	241	<b>DTC P0327, P0328 KS .....</b>	<b>299</b>
Wiring Diagram .....	242	Component Description .....	299
Diagnostic Procedure .....	245	On Board Diagnosis Logic .....	299
Component Inspection .....	247	DTC Confirmation Procedure .....	299
Removal and Installation .....	248	Wiring Diagram .....	300
<b>DTC P0139, P0159 HO2S2 .....</b>	<b>249</b>	Diagnostic Procedure .....	301
Component Description .....	249	Component Inspection .....	302
CONSULT-II Reference Value in Data Monitor Mode		Removal and Installation .....	303
	249	<b>DTC P0335 CKP SENSOR (POS) .....</b>	<b>304</b>
On Board Diagnosis Logic .....	249	Component Description .....	304
DTC Confirmation Procedure .....	250	CONSULT-II Reference Value in Data Monitor Mode	
Overall Function Check .....	250		304
Wiring Diagram .....	252	On Board Diagnosis Logic .....	304
Diagnostic Procedure .....	255	DTC Confirmation Procedure .....	304
Component Inspection .....	258	Wiring Diagram .....	305
Removal and Installation .....	259	Diagnostic Procedure .....	306
<b>DTC P0171, P0174 FUEL INJECTION SYSTEM</b>		Component Inspection .....	309
<b>FUNCTION .....</b>	<b>260</b>	Removal and Installation .....	309
On Board Diagnosis Logic .....	260	<b>DTC P0340, P0345 CMP SENSOR (PHASE) .....</b>	<b>310</b>
DTC Confirmation Procedure .....	260	Component Description .....	310
Wiring Diagram .....	262	On Board Diagnosis Logic .....	310
Diagnostic Procedure .....	264	DTC Confirmation Procedure .....	310
<b>DTC P0172, P0175 FUEL INJECTION SYSTEM</b>		Wiring Diagram .....	311
<b>FUNCTION .....</b>	<b>269</b>	Diagnostic Procedure .....	314
On Board Diagnosis Logic .....	269	Component Inspection .....	317
DTC Confirmation Procedure .....	269	Removal and Installation .....	317
Wiring Diagram .....	271	<b>DTC P0420, P0430 THREE WAY CATALYST FUNC-</b>	
Diagnostic Procedure .....	273	<b>TION .....</b>	<b>318</b>
<b>DTC P0181 FTT SENSOR .....</b>	<b>277</b>	On Board Diagnosis Logic .....	318
Component Description .....	277	DTC Confirmation Procedure .....	318
On Board Diagnosis Logic .....	277	Overall Function Check .....	319
DTC Confirmation Procedure .....	277	Diagnostic Procedure .....	320
Wiring Diagram .....	279	<b>DTC P0441 EVAP CONTROL SYSTEM .....</b>	<b>323</b>
Diagnostic Procedure .....	280	System Description .....	323
Component Inspection .....	281	On Board Diagnosis Logic .....	323
Removal and Installation .....	281	DTC Confirmation Procedure .....	323
<b>DTC P0182, P0183 FTT SENSOR .....</b>	<b>282</b>	Overall Function Check .....	324
Component Description .....	282	Diagnostic Procedure .....	325
On Board Diagnosis Logic .....	282	<b>DTC P0442 EVAP CONTROL SYSTEM .....</b>	<b>328</b>
DTC Confirmation Procedure .....	282	On Board Diagnosis Logic .....	328
Wiring Diagram .....	283	DTC Confirmation Procedure .....	329
Diagnostic Procedure .....	284	Diagnostic Procedure .....	331
Component Inspection .....	285	<b>DTC P0444, P0445 EVAP CANISTER PURGE VOL-</b>	
Removal and Installation .....	285	<b>UME CONTROL SOLENOID VALVE .....</b>	<b>338</b>
<b>DTC P0222, P0223 TP SENSOR .....</b>	<b>286</b>	Description .....	338
Component Description .....	286	CONSULT-II Reference Value in Data Monitor Mode	
CONSULT-II Reference Value in Data Monitor Mode			338
	286	On Board Diagnosis Logic .....	339
On Board Diagnosis Logic .....	286	DTC Confirmation Procedure .....	339
DTC Confirmation Procedure .....	287	Wiring Diagram .....	340
Wiring Diagram .....	288	Diagnostic Procedure .....	342

A

EC

C

D

E

F

G

H

I

J

K

L

M

Component Inspection .....	343	Overall Function Check .....	389
Removal and Installation .....	344	Diagnostic Procedure .....	390
<b>DTC P0447 EVAP CANISTER VENT CONTROL VALVE .....</b>	<b>345</b>	Removal and Installation .....	390
Component Description .....	345	<b>DTC P0462 FUEL LEVEL SENSOR .....</b>	<b>391</b>
CONSULT-II Reference Value in Data Monitor Mode .....	345	Component Description .....	391
On Board Diagnosis Logic .....	345	On Board Diagnosis Logic .....	391
DTC Confirmation Procedure .....	346	DTC Confirmation Procedure .....	391
Wiring Diagram .....	347	Diagnostic Procedure .....	392
Diagnostic Procedure .....	348	Removal and Installation .....	392
Component Inspection .....	350	<b>DTC P0500 VSS .....</b>	<b>393</b>
<b>DTC P0451 EVAP CONTROL SYSTEM PRESSURE SENSOR .....</b>	<b>352</b>	Description .....	393
Component Description .....	352	On Board Diagnosis Logic .....	393
CONSULT-II Reference Value in Data Monitor Mode .....	352	DTC Confirmation Procedure .....	393
On Board Diagnosis Logic .....	352	Overall Function Check .....	394
DTC Confirmation Procedure .....	353	Diagnostic Procedure .....	394
Diagnostic Procedure .....	353	<b>DTC P0506 ISC SYSTEM .....</b>	<b>395</b>
Component Inspection .....	354	Description .....	395
<b>DTC P0452 EVAP CONTROL SYSTEM PRESSURE SENSOR .....</b>	<b>355</b>	On Board Diagnosis Logic .....	395
Component Description .....	355	DTC Confirmation Procedure .....	395
CONSULT-II Reference Value in Data Monitor Mode .....	355	Diagnostic Procedure .....	396
On Board Diagnosis Logic .....	355	<b>DTC P0507 ISC SYSTEM .....</b>	<b>397</b>
DTC Confirmation Procedure .....	356	Description .....	397
Wiring Diagram .....	357	On Board Diagnosis Logic .....	397
Diagnostic Procedure .....	358	DTC Confirmation Procedure .....	397
Component Inspection .....	360	Diagnostic Procedure .....	398
<b>DTC P0453 EVAP CONTROL SYSTEM PRESSURE SENSOR .....</b>	<b>361</b>	<b>DTC P0550 PSP SENSOR .....</b>	<b>399</b>
Component Description .....	361	Component Description .....	399
CONSULT-II Reference Value in Data Monitor Mode .....	361	CONSULT-II Reference Value in Data Monitor Mode .....	399
On Board Diagnosis Logic .....	361	On Board Diagnosis Logic .....	399
DTC Confirmation Procedure .....	362	DTC Confirmation Procedure .....	399
Wiring Diagram .....	363	Wiring Diagram .....	400
Diagnostic Procedure .....	364	Diagnostic Procedure .....	401
Component Inspection .....	368	Component Inspection .....	403
<b>DTC P0455 EVAP CONTROL SYSTEM .....</b>	<b>369</b>	<b>DTC P0605 ECM .....</b>	<b>404</b>
On Board Diagnosis Logic .....	369	Component Description .....	404
DTC Confirmation Procedure .....	370	On Board Diagnosis Logic .....	404
Diagnostic Procedure .....	371	DTC Confirmation Procedure .....	404
<b>DTC P0456 EVAP CONTROL SYSTEM .....</b>	<b>377</b>	Diagnostic Procedure .....	405
On Board Diagnosis Logic .....	377	<b>DTC P1065 ECM POWER SUPPLY .....</b>	<b>407</b>
DTC Confirmation Procedure .....	378	Component Description .....	407
Overall Function Check .....	379	On Board Diagnosis Logic .....	407
Diagnostic Procedure .....	380	DTC Confirmation Procedure .....	407
<b>DTC P0460 FUEL LEVEL SENSOR .....</b>	<b>387</b>	Wiring Diagram .....	408
Component Description .....	387	Diagnostic Procedure .....	409
On Board Diagnosis Logic .....	387	<b>DTC P1111, P1136 IVT CONTROL SOLENOID VALVE .....</b>	<b>411</b>
DTC Confirmation Procedure .....	387	Component Description .....	411
Diagnostic Procedure .....	388	CONSULT-II Reference Value in Data Monitor Mode .....	411
Removal and Installation .....	388	On Board Diagnosis Logic .....	411
<b>DTC P0461 FUEL LEVEL SENSOR .....</b>	<b>389</b>	DTC Confirmation Procedure .....	411
Component Description .....	389	Wiring Diagram .....	412
On Board Diagnosis Logic .....	389	Diagnostic Procedure .....	415
		Component Inspection .....	417
		Removal and Installation .....	417
		<b>DTC P1121 ELECTRIC THROTTLE CONTROL ACTUATOR .....</b>	<b>418</b>
		Component Description .....	418

On Board Diagnosis Logic .....	418	Component Inspection .....	458
DTC Confirmation Procedure .....	418	Removal and Installation .....	459
Diagnostic Procedure .....	419	<b>DTC P1147, P1167 HO2S2 .....</b>	<b>460</b>
<b>DTC P1122 ELECTRIC THROTTLE CONTROL</b>		Component Description .....	460
<b>FUNCTION .....</b>	<b>420</b>	CONSULT-II Reference Value in Data Monitor Mode .....	460
Description .....	420	On Board Diagnosis Logic .....	460
On Board Diagnosis Logic .....	420	DTC Confirmation Procedure .....	461
DTC Confirmation Procedure .....	420	Overall Function Check .....	461
Wiring Diagram .....	421	Wiring Diagram .....	463
Diagnostic Procedure .....	422	Diagnostic Procedure .....	466
Component Inspection .....	425	Component Inspection .....	469
Remove and Installation .....	425	Removal and Installation .....	470
<b>DTC P1124, P1126 THROTTLE CONTROL MOTOR</b>		<b>DTC P1148, P1168 CLOSED LOOP CONTROL ...</b>	<b>471</b>
<b>RELAY .....</b>	<b>426</b>	On Board Diagnosis Logic .....	471
Component Description .....	426	DTC Confirmation Procedure .....	471
CONSULT-II Reference Value in Data Monitor Mode .....	426	Overall Function Check .....	471
On Board Diagnosis Logic .....	426	Diagnostic Procedure .....	472
DTC Confirmation Procedure .....	426	<b>DTC P1211 TCS CONTROL UNIT .....</b>	<b>473</b>
Wiring Diagram .....	428	Description .....	473
Diagnostic Procedure .....	429	On Board Diagnosis Logic .....	473
<b>DTC P1128 THROTTLE CONTROL MOTOR .....</b>	<b>431</b>	DTC Confirmation Procedure .....	473
Component Description .....	431	Diagnostic Procedure .....	473
On Board Diagnosis Logic .....	431	<b>DTC P1212 TCS COMMUNICATION LINE .....</b>	<b>474</b>
DTC Confirmation Procedure .....	431	Description .....	474
Wiring Diagram .....	432	On Board Diagnosis Logic .....	474
Diagnostic Procedure .....	433	DTC Confirmation Procedure .....	474
Component Inspection .....	434	Diagnostic Procedure .....	474
Removal and Installation .....	435	<b>DTC P1217 ENGINE OVER TEMPERATURE .....</b>	<b>475</b>
<b>DTC P1143, P1163 HO2S1 .....</b>	<b>436</b>	System Description .....	475
Component Description .....	436	CONSULT-II Reference Value in Data Monitor Mode .....	476
CONSULT-II Reference Value in Data Monitor Mode .....	436	On Board Diagnosis Logic .....	476
On Board Diagnosis Logic .....	436	Overall Function Check .....	476
DTC Confirmation Procedure .....	437	Wiring Diagram .....	479
Overall Function Check .....	438	Diagnostic Procedure .....	481
Diagnostic Procedure .....	438	Main 12 Causes of Overheating .....	487
Component Inspection .....	440	Component Inspection .....	487
Removal and Installation .....	441	<b>DTC P1225 TP SENSOR .....</b>	<b>488</b>
<b>DTC P1144, P1164 HO2S1 .....</b>	<b>442</b>	Component Description .....	488
Component Description .....	442	On Board Diagnosis Logic .....	488
CONSULT-II Reference Value in Data Monitor Mode .....	442	DTC Confirmation Procedure .....	488
On Board Diagnosis Logic .....	442	Diagnostic Procedure .....	489
DTC Confirmation Procedure .....	443	Removal and Installation .....	489
Overall Function Check .....	444	<b>DTC P1226 TP SENSOR .....</b>	<b>490</b>
Diagnostic Procedure .....	444	Component Description .....	490
Component Inspection .....	446	On Board Diagnosis Logic .....	490
Removal and Installation .....	448	DTC Confirmation Procedure .....	490
<b>DTC P1146, P1166 HO2S2 .....</b>	<b>449</b>	Diagnostic Procedure .....	491
Component Description .....	449	Removal and Installation .....	491
CONSULT-II Reference Value in Data Monitor Mode .....	449	<b>DTC P1229 SENSOR POWER SUPPLY .....</b>	<b>492</b>
On Board Diagnosis Logic .....	449	On Board Diagnosis Logic .....	492
DTC Confirmation Procedure .....	450	DTC Confirmation Procedure .....	492
Overall Function Check .....	450	Wiring Diagram .....	493
Wiring Diagram .....	452	Diagnostic Procedure .....	494
Diagnostic Procedure .....	455	<b>DTC P1444 EVAP CANISTER PURGE VOLUME</b>	
		<b>CONTROL SOLENOID VALVE .....</b>	<b>497</b>
		Description .....	497
		CONSULT-II Reference Value in Data Monitor Mode .....	497

On Board Diagnosis Logic .....	497	Component Description .....	552
DTC Confirmation Procedure .....	498	CONSULT-II Reference Value in Data Monitor Mode .....	552
Wiring Diagram .....	499	On Board Diagnosis Logic .....	552
Diagnostic Procedure .....	501	DTC Confirmation Procedure .....	553
Component Inspection .....	504	Wiring Diagram .....	554
Removal and Installation .....	504	Diagnostic Procedure .....	555
<b>DTC P1446 EVAP CANISTER VENT CONTROL VALVE .....</b>	<b>505</b>	Component Inspection .....	557
Component Description .....	505	Removal and Installation .....	558
CONSULT-II Reference Value in Data Monitor Mode .....	505	<b>DTC P2127, P2128 APP SENSOR .....</b>	<b>559</b>
On Board Diagnosis Logic .....	505	Component Description .....	559
DTC Confirmation Procedure .....	506	CONSULT-II Reference Value in Data Monitor Mode .....	559
Wiring Diagram .....	507	On Board Diagnosis Logic .....	559
Diagnostic Procedure .....	508	DTC Confirmation Procedure .....	560
Component Inspection .....	510	Wiring Diagram .....	561
<b>DTC P1564 ASCD STEERING SWITCH .....</b>	<b>512</b>	Diagnostic Procedure .....	562
Component Description .....	512	Component Inspection .....	565
CONSULT-II Reference Value in Data Monitor Mode .....	512	Removal and Installation .....	565
On Board Diagnosis Logic .....	512	<b>DTC P2135 TP SENSOR .....</b>	<b>566</b>
DTC Confirmation Procedure .....	513	Component Description .....	566
Wiring Diagram .....	514	CONSULT-II Reference Value in Data Monitor Mode .....	566
Diagnostic Procedure .....	516	On Board Diagnosis Logic .....	566
Component Inspection .....	518	DTC Confirmation Procedure .....	567
<b>DTC P1572 ASCD BRAKE SWITCH .....</b>	<b>519</b>	Wiring Diagram .....	568
Component Description .....	519	Diagnostic Procedure .....	569
CONSULT-II Reference Value in Data Monitor Mode .....	519	Component Inspection .....	572
On Board Diagnosis Logic .....	519	Removal and Installation .....	572
DTC confirmation Procedure .....	520	<b>DTC P2138 APP SENSOR .....</b>	<b>573</b>
Wiring Diagram .....	521	Component Description .....	573
Diagnostic Procedure .....	524	CONSULT-II Reference Value in Data Monitor Mode .....	573
Component Inspection .....	534	On Board Diagnosis Logic .....	573
<b>DTC P1574 ASCD VEHICLE SPEED SENSOR ....</b>	<b>536</b>	DTC Confirmation Procedure .....	574
Component Description .....	536	Wiring Diagram .....	575
On Board Diagnosis Logic .....	536	Diagnostic Procedure .....	576
DTC Confirmation Procedure .....	536	Component Inspection .....	580
Diagnostic Procedure .....	537	Removal and Installation .....	580
<b>DTC P1706 PNP SWITCH .....</b>	<b>538</b>	<b>IGNITION SIGNAL .....</b>	<b>581</b>
Component Description .....	538	Component Description .....	581
CONSULT-II Reference Value in Data Monitor Mode .....	538	Wiring Diagram .....	582
On Board Diagnosis Logic .....	538	Diagnostic Procedure .....	587
DTC Confirmation Procedure .....	538	Component Inspection .....	592
Overall Function Check .....	539	Removal and Installation .....	592
Wiring Diagram .....	540	<b>INJECTOR CIRCUIT .....</b>	<b>593</b>
Diagnostic Procedure .....	543	Component Description .....	593
<b>DTC P1805 BRAKE SWITCH .....</b>	<b>546</b>	CONSULT-II Reference Value in Data Monitor Mode .....	593
Description .....	546	Wiring Diagram .....	594
CONSULT-II Reference Value in Data Monitor Mode .....	546	Diagnostic Procedure .....	595
On Board Diagnosis Logic .....	546	Component Inspection .....	598
DTC Confirmation Procedure .....	546	Removal and Installation .....	598
Wiring Diagram .....	547	<b>FUEL PUMP CIRCUIT .....</b>	<b>599</b>
Diagnostic Procedure .....	548	Description .....	599
Component Inspection .....	551	CONSULT-II Reference Value in Data Monitor Mode .....	599
<b>DTC P2122, P2123 APP SENSOR .....</b>	<b>552</b>	Wiring Diagram .....	600
Component Description .....	552	Diagnostic Procedure .....	601
CONSULT-II Reference Value in Data Monitor Mode .....	552		
On Board Diagnosis Logic .....	552		
DTC Confirmation Procedure .....	553		
Wiring Diagram .....	554		
Diagnostic Procedure .....	555		
Component Inspection .....	557		
Removal and Installation .....	558		

Component Inspection .....	604	Component Inspection .....	636	
Removal and Installation .....	605	Removal and Installation .....	637	A
<b>REFRIGERANT PRESSURE SENSOR</b> .....	<b>606</b>	How to Detect Fuel Vapor Leakage .....	637	
Component Description .....	606	<b>ON BOARD REFUELING VAPOR RECOVERY</b>		
Wiring Diagram .....	607	<b>(ORVR)</b> .....	<b>640</b>	<b>EC</b>
Diagnostic Procedure .....	608	System Description .....	640	
Removal and Installation .....	610	Diagnostic Procedure .....	641	
<b>ELECTRICAL LOAD SIGNAL</b> .....	<b>611</b>	Component Inspection .....	643	C
Description .....	611	<b>POSITIVE CRANKCASE VENTILATION</b> .....	<b>645</b>	
CONSULT-II Reference Value in Data Monitor Mode .....	611	Description .....	645	
Diagnostic Procedure .....	611	Component Inspection .....	645	D
<b>ASCD BRAKE SWITCH</b> .....	<b>612</b>	<b>AUTOMATIC SPEED CONTROL DEVICE (ASCD)</b> .....	<b>647</b>	
Component Description .....	612	System Description .....	647	
CONSULT-II Reference Value in Data Monitor Mode .....	612	Component Description .....	649	E
Wiring Diagram .....	613	<b>SERVICE DATA AND SPECIFICATIONS (SDS)</b> ...	<b>650</b>	
Diagnostic Procedure .....	616	Fuel Pressure .....	650	F
Component Inspection .....	626	Idle Speed and Ignition Timing .....	650	
<b>ASCD INDICATOR</b> .....	<b>628</b>	Calculated Load Value .....	650	
Component Description .....	628	Mass Air Flow Sensor .....	650	
CONSULT-II Reference Value in Data Monitor Mode .....	628	Intake Air Temperature Sensor .....	650	G
Wiring Diagram .....	629	Engine Coolant Temperature Sensor .....	650	
Diagnostic Procedure .....	630	Heated Oxygen Sensor 1 Heater .....	650	
<b>MIL AND DATA LINK CONNECTOR</b> .....	<b>631</b>	Heated Oxygen sensor 2 Heater .....	650	
Wiring Diagram .....	631	Crankshaft Position Sensor (POS) .....	650	H
<b>EVAPORATIVE EMISSION SYSTEM</b> .....	<b>633</b>	Camshaft Position Sensor (PHASE) .....	651	
Description .....	633	Throttle Control Motor .....	651	
		Injector .....	651	I
		Fuel Pump .....	651	
				J
				K
				L
				M

# INDEX FOR DTC

## INDEX FOR DTC

PFP:00024

### Alphabetical Index

ABS000R3

**NOTE:**

If DTC U1000 or U1001 is displayed with other DTC, first perform the trouble diagnosis for DTC U1000, U1001. Refer to [EC-145, "DTC U1000, U1001 CAN COMMUNICATION LINE"](#) .

×:Applicable —: Not applicable

Items (CONSULT-II screen terms)	DTC*1		Trip	MIL lighting up	Reference page
	CONSULT-II GST*2	ECM*3			
A/T INTERLOCK	P1730	1730	1	×	<a href="#">AT-136</a>
A/T TCC S/V FNCTN	P0744	0744	2	×	<a href="#">AT-118</a>
APP SEN 1/CIRC	P2122	2122	1	×	<a href="#">EC-552</a>
APP SEN 1/CIRC	P2123	2123	1	×	<a href="#">EC-552</a>
APP SEN 2/CIRC	P2127	2127	1	×	<a href="#">EC-559</a>
APP SEN 2/CIRC	P2128	2128	1	×	<a href="#">EC-559</a>
APP SENSOR	P2138	2138	1	×	<a href="#">EC-573</a>
ASCD BRAKE SW	P1572	1572	1	—	<a href="#">EC-519</a>
ASCD SW	P1564	1564	1	—	<a href="#">EC-512</a>
ASCD VHL SPD SEN	P1574	1574	1	—	<a href="#">EC-536</a>
ATF TEMP SEN/CIRC	P0710	0710	2	×	<a href="#">AT-130</a>
BRAKE SW/CIRCUIT	P1805	1805	2	—	<a href="#">EC-546</a>
CAN COMM CIRCUIT	U1000	1000*5	1	×	<a href="#">EC-145</a>
CAN COMM CIRCUIT	U1001	1001*5	2	—	<a href="#">EC-145</a>
CKP SEN/CIRCUIT	P0335	0335	2	×	<a href="#">EC-304</a>
CLOSED LOOP-B1	P1148	1148	1	×	<a href="#">EC-471</a>
CLOSED LOOP-B2	P1168	1168	1	×	<a href="#">EC-471</a>
CMP SEN/CIRC-B1	P0340	0340	2	×	<a href="#">EC-310</a>
CMP SEN/CIRC-B2	P0345	0345	2	×	<a href="#">EC-310</a>
CTP LEARNING	P1225	1225	2	—	<a href="#">EC-488</a>
CTP LEARNING	P1226	1226	2	—	<a href="#">EC-490</a>
CYL 1 MISFIRE	P0301	0301	2	×	<a href="#">EC-293</a>
CYL 2 MISFIRE	P0302	0302	2	×	<a href="#">EC-293</a>
CYL 3 MISFIRE	P0303	0303	2	×	<a href="#">EC-293</a>
CYL 4 MISFIRE	P0304	0304	2	×	<a href="#">EC-293</a>
CYL 5 MISFIRE	P0305	0305	2	×	<a href="#">EC-293</a>
CYL 6 MISFIRE	P0306	0306	2	×	<a href="#">EC-293</a>
D/C SOLENOID/CIRC	P1762	1762	1	×	<a href="#">AT-149</a>
D/C SOLENOID FNCTN	P1764	1764	1	×	<a href="#">AT-151</a>
ECM	P0605	0605	1 or 2	× or —	<a href="#">EC-404</a>
ECM BACK UP/CIRCUIT	P1065	1065	2	×	<a href="#">EC-407</a>
ECT SEN/CIRCUIT	P0117	0117	1	×	<a href="#">EC-187</a>
ECT SEN/CIRCUIT	P0118	0118	1	×	<a href="#">EC-187</a>
ECT SENSOR	P0125	0125	1	×	<a href="#">EC-199</a>
ENG OVER TEMP	P1217	1217	1	×	<a href="#">EC-475</a>
ENGINE SPEED SIG	P0725	0725	2	×	<a href="#">AT-114</a>
ETC ACTR	P1121	1121	1	×	<a href="#">EC-418</a>



# INDEX FOR DTC

Items (CONSULT-II screen terms)	DTC*1		Trip	MIL lighting up	Reference page
	CONSULT-II GST*2	ECM*3			
ETC FUNCTION/CIRC	P1122	1122	1	×	<a href="#">EC-420</a>
ETC MOT	P1128	1128	1	×	<a href="#">EC-431</a>
ETC MOT PWR	P1124	1124	1	×	<a href="#">EC-426</a>
ETC MOT PWR	P1126	1126	1	×	<a href="#">EC-426</a>
EVAP GROSS LEAK	P0455	0455	2	×	<a href="#">EC-369</a>
EVAP PURG FLOW/MON	P0441	0441	2	×	<a href="#">EC-323</a>
EVAP SMALL LEAK	P0442	0442	2	×	<a href="#">EC-328</a>
EVAP SYS PRES SEN	P0451	0451	2	×	<a href="#">EC-352</a>
EVAP SYS PRES SEN	P0452	0452	2	×	<a href="#">EC-355</a>
EVAP SYS PRES SEN	P0453	0453	2	×	<a href="#">EC-361</a>
EVAP VERY SML LEAK	P0456	0456	2	×	<a href="#">EC-377</a>
FR/B SOLENOID/CIRC	P1757	1757	1	×	<a href="#">AT-145</a>
FR/B SOLENOID FNCT	P1759	1759	1	×	<a href="#">AT-147</a>
FTT SEN/CIRCUIT	P0182	0182	2	×	<a href="#">EC-282</a>
FTT SEN/CIRCUIT	P0183	0183	2	×	<a href="#">EC-282</a>
FTT SENSOR	P0181	0181	2	×	<a href="#">EC-277</a>
FUEL LEV SEN SLOSH	P0460	0460	2	×	<a href="#">EC-387</a>
FUEL LEVEL SENSOR	P0461	0461	2	×	<a href="#">EC-389</a>
FUEL LEVL SEN/CIRC	P0462	0462	2	×	<a href="#">EC-391</a>
FUEL SYS-LEAN-B1	P0171	0171	2	×	<a href="#">EC-260</a>
FUEL SYS-LEAN-B2	P0174	0174	2	×	<a href="#">EC-260</a>
FUEL SYS-RICH-B1	P0172	0172	2	×	<a href="#">EC-269</a>
FUEL SYS-RICH-B2	P0175	0175	2	×	<a href="#">EC-269</a>
HLR/C SOL FNCTN	P1769	1769	1	×	<a href="#">AT-155</a>
HLR/C SOL/CIRC	P1767	1767	1	×	<a href="#">AT-153</a>
HO2S1 (B1)	P0132	0132	2	×	<a href="#">EC-207</a>
HO2S1 (B1)	P0133	0133	2	×	<a href="#">EC-217</a>
HO2S1 (B1)	P0134	0134	2	×	<a href="#">EC-230</a>
HO2S1 (B1)	P1143	1143	2	×	<a href="#">EC-436</a>
HO2S1 (B1)	P1144	1144	2	×	<a href="#">EC-442</a>
HO2S1 (B2)	P0152	0152	2	×	<a href="#">EC-207</a>
HO2S1 (B2)	P0153	0153	2	×	<a href="#">EC-217</a>
HO2S1 (B2)	P0154	0154	2	×	<a href="#">EC-230</a>
HO2S1 (B2)	P1163	1163	2	×	<a href="#">EC-436</a>
HO2S1 (B2)	P1164	1164	2	×	<a href="#">EC-442</a>
HO2S1 HTR (B1)	P0031	0031	2	×	<a href="#">EC-151</a>
HO2S1 HTR (B1)	P0032	0032	2	×	<a href="#">EC-151</a>
HO2S1 HTR (B2)	P0051	0051	2	×	<a href="#">EC-151</a>
HO2S1 HTR (B2)	P0052	0052	2	×	<a href="#">EC-151</a>
HO2S2 (B1)	P0138	0138	2	×	<a href="#">EC-240</a>
HO2S2 (B1)	P0139	0139	2	×	<a href="#">EC-249</a>
HO2S2 (B1)	P1146	1146	2	×	<a href="#">EC-449</a>

# INDEX FOR DTC

Items (CONSULT-II screen terms)	DTC*1		Trip	MIL lighting up	Reference page
	CONSULT-II GST*2	ECM*3			
HO2S2 (B1)	P1147	1147	2	×	<a href="#">EC-460</a>
HO2S2 (B2)	P0158	0158	2	×	<a href="#">EC-240</a>
HO2S2 (B2)	P0159	0159	2	×	<a href="#">EC-249</a>
HO2S2 (B2)	P1166	1166	2	×	<a href="#">EC-449</a>
HO2S2 (B2)	P1167	1167	2	×	<a href="#">EC-460</a>
HO2S2 HTR (B1)	P0037	0037	2	×	<a href="#">EC-159</a>
HO2S2 HTR (B1)	P0038	0038	2	×	<a href="#">EC-159</a>
HO2S2 HTR (B2)	P0057	0057	2	×	<a href="#">EC-159</a>
HO2S2 HTR (B2)	P0058	0058	2	×	<a href="#">EC-159</a>
I/C SOLENOID/CIRC	P1752	1752	1	×	<a href="#">AT-141</a>
I/C SOLENOID FNCTN	P1754	1754	1	×	<a href="#">AT-143</a>
IAT SEN/CIRCUIT	P0112	0112	2	×	<a href="#">EC-182</a>
IAT SEN/CIRCUIT	P0113	0113	2	×	<a href="#">EC-182</a>
IAT SENSOR	P0127	0127	2	×	<a href="#">EC-202</a>
INT/V TIM CONT-B1	P0011	0011	2	×	<a href="#">EC-148</a>
INT/V TIM CONT-B2	P0021	0021	2	×	<a href="#">EC-148</a>
INT/V TIM V/CIR-B1	P1111	1111	2	×	<a href="#">EC-411</a>
INT/V TIM V/CIR-B2	P1136	1136	2	×	<a href="#">EC-411</a>
ISC SYSTEM	P0506	0506	2	×	<a href="#">EC-395</a>
ISC SYSTEM	P0507	0507	2	×	<a href="#">EC-397</a>
KNOCK SEN/CIRC-B1	P0327	0327	2	—	<a href="#">EC-299</a>
KNOCK SEN/CIRC-B1	P0328	0328	2	—	<a href="#">EC-299</a>
L/PRESS SOL/CIRC	P0745	0745	2	×	<a href="#">AT-120</a>
LC/B SOLENOID FNCT	P1774	1774	1	×	<a href="#">AT-159</a>
LC/B SOLENOID/CIRC	P1772	1772	1	×	<a href="#">AT-157</a>
MAF SEN/CIRCUIT	P0101	0101	1	×	<a href="#">EC-167</a>
MAF SEN/CIRCUIT	P0102	0102	1	×	<a href="#">EC-175</a>
MAF SEN/CIRCUIT	P0103	0103	1	×	<a href="#">EC-175</a>
MULTI CYL MISFIRE	P0300	0300	2	×	<a href="#">EC-293</a>
NATS MALFUNCTION	P1610 - P1615	1610 - 1615	2	—	<a href="#">EC-71</a>
NO DTC IS DETECTED. FURTHER TESTING MAY BE REQUIRED.	No DTC	Flashing*4	—	Flashing*4	<a href="#">EC-72</a>
<b>NO DTC IS DETECTED. FURTHER TESTING MAY BE REQUIRED.</b>	<b>P0000</b>	<b>0000</b>	—	—	—
P-N POS SW/CIRCUIT	P1706	1706	2	×	<a href="#">EC-538</a>
PNP SW/CIRC	P0705	0705	2	×	<a href="#">AT-110</a>
PURG VOLUME CONT/V	P0444	0444	2	×	<a href="#">EC-338</a>
PURG VOLUME CONT/V	P0445	0445	2	×	<a href="#">EC-338</a>
PURG VOLUME CONT/V	P1444	1444	2	×	<a href="#">EC-497</a>
PW ST P SEN/CIRC	P0550	0550	2	—	<a href="#">EC-399</a>
SENSOR POWER/CIRC	P1229	1229	1	×	<a href="#">EC-492</a>
TCC SOLENOID/CIRC	P0740	0740	2	×	<a href="#">AT-116</a>

# INDEX FOR DTC

Items (CONSULT-II screen terms)	DTC*1		Trip	MIL lighting up	Reference page
	CONSULT-II GST*2	ECM*3			
TCS C/U FUNCTN	P1211	1211	2	—	<a href="#">EC-473</a>
TCS/CIRC	P1212	1212	2	—	<a href="#">EC-474</a>
THERMSTAT FNCTN	P0128	0128	2	×	<a href="#">EC-205</a>
TP SEN 1/CIRC	P0222	0222	1	×	<a href="#">EC-286</a>
TP SEN 1/CIRC	P0223	0223	1	×	<a href="#">EC-286</a>
TP SEN 2/CIRC	P0122	0122	1	×	<a href="#">EC-192</a>
TP SEN 2/CIRC	P0123	0123	1	×	<a href="#">EC-192</a>
TP SEN/CIRC A/T	P1705	1705	1	×	<a href="#">AT-128</a>
TP SENSOR	P2135	2135	1	×	<a href="#">EC-566</a>
TURBINE REV S/CIRC	P1716	1716	2	×	<a href="#">AT-132</a>
TW CATALYST SYS-B1	P0420	0420	2	×	<a href="#">EC-318</a>
TW CATALYST SYS-B2	P0430	0430	2	×	<a href="#">EC-318</a>
VEH SPD SEN/CIR AT*6	P0720	0720	2	×	<a href="#">AT-112</a>
VEH SPEED SEN/CIRC*6	P0500	0500	2	×	<a href="#">EC-393</a>
VENT CONTROL VALVE	P0447	0447	2	×	<a href="#">EC-345</a>
VENT CONTROL VALVE	P1446	1446	2	×	<a href="#">EC-505</a>

\*1: 1st trip DTC No. is the same as DTC No.

\*2: These numbers are prescribed by SAE J2012.

\*3: In Diagnostic Test Mode II (Self-diagnostic results), these numbers are controlled by NISSAN.

\*4: When engine is running.

\*5: The troubleshooting for these DTCs need CONSULT-II.

\*6: When the fail-safe operations for both self-diagnoses occur, the MIL illuminates.

**NOTE:**

Regarding Z33 models, "B1" indicates bank 1, "B2" indicates bank 2.

A  
EC  
C  
D  
E  
F  
G  
H  
I  
J  
K  
L  
M

# INDEX FOR DTC

## DTC No. Index

ABS000R4

**NOTE:**

If DTC U1000 or U1001 is displayed with other DTC, first perform the trouble diagnosis for DTC U1000, U1001. Refer to [EC-145, "DTC U1000, U1001 CAN COMMUNICATION LINE"](#) .

×:Applicable —: Not applicable

DTC*1		Items (CONSULT-II screen terms)	Trip	MIL lighting up	Reference page
CONSULT-II GST*2	ECM*3				
No DTC	Flashing*4	NO DTC IS DETECTED. FURTHER TESTING MAY BE REQUIRED.	—	Flashing*4	<a href="#">EC-72</a>
U1000	1000*5	CAN COMM CIRCUIT	1	×	<a href="#">EC-145</a>
U1001	1001*5	CAN COMM CIRCUIT	2	—	<a href="#">EC-145</a>
<b>P0000</b>	<b>0000</b>	<b>NO DTC IS DETECTED. FURTHER TESTING MAY BE REQUIRED.</b>	—	—	—
P0011	0011	INT/V TIM CONT-B1	2	×	<a href="#">EC-148</a>
P0021	0021	INT/V TIM CONT-B2	2	×	<a href="#">EC-148</a>
P0031	0031	HO2S1 HTR (B1)	2	×	<a href="#">EC-151</a>
P0032	0032	HO2S1 HTR (B1)	2	×	<a href="#">EC-151</a>
P0037	0037	HO2S2 HTR (B1)	2	×	<a href="#">EC-159</a>
P0038	0038	HO2S2 HTR (B1)	2	×	<a href="#">EC-159</a>
P0051	0051	HO2S1 HTR (B2)	2	×	<a href="#">EC-151</a>
P0052	0052	HO2S1 HTR (B2)	2	×	<a href="#">EC-151</a>
P0057	0057	HO2S2 HTR (B2)	2	×	<a href="#">EC-159</a>
P0058	0058	HO2S2 HTR (B2)	2	×	<a href="#">EC-159</a>
P0101	0101	MAF SEN/CIRCUIT	1	×	<a href="#">EC-167</a>
P0102	0102	MAF SEN/CIRCUIT	1	×	<a href="#">EC-175</a>
P0103	0103	MAF SEN/CIRCUIT	1	×	<a href="#">EC-175</a>
P0112	0112	IAT SEN/CIRCUIT	2	×	<a href="#">EC-182</a>
P0113	0113	IAT SEN/CIRCUIT	2	×	<a href="#">EC-182</a>
P0117	0117	ECT SEN/CIRCUIT	1	×	<a href="#">EC-187</a>
P0118	0118	ECT SEN/CIRCUIT	1	×	<a href="#">EC-187</a>
P0122	0122	TP SEN 2/CIRC	1	×	<a href="#">EC-192</a>
P0123	0123	TP SEN 2/CIRC	1	×	<a href="#">EC-192</a>
P0125	0125	ECT SENSOR	1	×	<a href="#">EC-199</a>
P0127	0127	IAT SENSOR	2	×	<a href="#">EC-202</a>
P0128	0128	THERMSTAT FNCTN	2	×	<a href="#">EC-205</a>
P0132	0132	HO2S1 (B1)	2	×	<a href="#">EC-207</a>
P0133	0133	HO2S1 (B1)	2	×	<a href="#">EC-217</a>
P0134	0134	HO2S1 (B1)	2	×	<a href="#">EC-230</a>
P0138	0138	HO2S2 (B1)	2	×	<a href="#">EC-240</a>
P0139	0139	HO2S2 (B1)	2	×	<a href="#">EC-249</a>
P0152	0152	HO2S1 (B2)	2	×	<a href="#">EC-207</a>
P0153	0153	HO2S1 (B2)	2	×	<a href="#">EC-217</a>
P0154	0154	HO2S1 (B2)	2	×	<a href="#">EC-230</a>
P0158	0158	HO2S2 (B2)	2	×	<a href="#">EC-240</a>

# INDEX FOR DTC

DTC*1		Items (CONSULT-II screen terms)	Trip	MIL lighting up	Reference page
CONSULT-II GST*2	ECM*3				
P0159	0159	HO2S2 (B2)	2	×	<a href="#">EC-249</a>
P0171	0171	FUEL SYS-LEAN-B1	2	×	<a href="#">EC-260</a>
P0172	0172	FUEL SYS-RICH-B1	2	×	<a href="#">EC-269</a>
P0174	0174	FUEL SYS-LEAN-B2	2	×	<a href="#">EC-260</a>
P0175	0175	FUEL SYS-RICH-B2	2	×	<a href="#">EC-269</a>
P0181	0181	FTT SENSOR	2	×	<a href="#">EC-277</a>
P0182	0182	FTT SEN/CIRCUIT	2	×	<a href="#">EC-282</a>
P0183	0183	FTT SEN/CIRCUIT	2	×	<a href="#">EC-282</a>
P0222	0222	TP SEN 1/CIRC	1	×	<a href="#">EC-286</a>
P0223	0223	TP SEN 1/CIRC	1	×	<a href="#">EC-286</a>
P0300	0300	MULTI CYL MISFIRE	2	×	<a href="#">EC-293</a>
P0301	0301	CYL 1 MISFIRE	2	×	<a href="#">EC-293</a>
P0302	0302	CYL 2 MISFIRE	2	×	<a href="#">EC-293</a>
P0303	0303	CYL 3 MISFIRE	2	×	<a href="#">EC-293</a>
P0304	0304	CYL 4 MISFIRE	2	×	<a href="#">EC-293</a>
P0305	0305	CYL 5 MISFIRE	2	×	<a href="#">EC-293</a>
P0306	0306	CYL 6 MISFIRE	2	×	<a href="#">EC-293</a>
P0327	0327	KNOCK SEN/CIRC-B1	2	—	<a href="#">EC-299</a>
P0328	0328	KNOCK SEN/CIRC-B1	2	—	<a href="#">EC-299</a>
P0335	0335	CKP SEN/CIRCUIT	2	×	<a href="#">EC-304</a>
P0340	0340	CMP SEN/CIRC-B1	2	×	<a href="#">EC-310</a>
P0345	0345	CMP SEN/CIRC-B2	2	×	<a href="#">EC-310</a>
P0420	0420	TW CATALYST SYS-B1	2	×	<a href="#">EC-318</a>
P0430	0430	TW CATALYST SYS-B2	2	×	<a href="#">EC-318</a>
P0441	0441	EVAP PURG FLOW/MON	2	×	<a href="#">EC-323</a>
P0442	0442	EVAP SMALL LEAK	2	×	<a href="#">EC-328</a>
P0444	0444	PURG VOLUME CONT/V	2	×	<a href="#">EC-338</a>
P0445	0445	PURG VOLUME CONT/V	2	×	<a href="#">EC-338</a>
P0447	0447	VENT CONTROL VALVE	2	×	<a href="#">EC-345</a>
P0451	0451	EVAP SYS PRES SEN	2	×	<a href="#">EC-352</a>
P0452	0452	EVAP SYS PRES SEN	2	×	<a href="#">EC-355</a>
P0453	0453	EVAP SYS PRES SEN	2	×	<a href="#">EC-361</a>
P0455	0455	EVAP GROSS LEAK	2	×	<a href="#">EC-369</a>
P0456	0456	EVAP VERY SML LEAK	2	×	<a href="#">EC-377</a>
P0460	0460	FUEL LEV SEN SLOSH	2	×	<a href="#">EC-387</a>
P0461	0461	FUEL LEVEL SENSOR	2	×	<a href="#">EC-389</a>
P0462	0462	FUEL LEVL SEN/CIRC	2	×	<a href="#">EC-391</a>
P0500	0500	VEH SPEED SEN/CIRC*6	2	×	<a href="#">EC-393</a>
P0506	0506	ISC SYSTEM	2	×	<a href="#">EC-395</a>
P0507	0507	ISC SYSTEM	2	×	<a href="#">EC-397</a>
P0550	0550	PW ST P SEN/CIRC	2	—	<a href="#">EC-399</a>
P0605	0605	ECM	1 or 2	× or —	<a href="#">EC-404</a>

# INDEX FOR DTC

DTC*1		Items (CONSULT-II screen terms)	Trip	MIL lighting up	Reference page
CONSULT-II GST*2	ECM*3				
P0705	0705	PNP SW/CIRC	2	×	<a href="#">AT-110</a>
P0710	0710	ATF TEMP SEN/CIRC	2	×	<a href="#">AT-130</a>
P0720	0720	VEH SPD SEN/CIR AT*6	2	×	<a href="#">AT-112</a>
P0725	0725	ENGINE SPEED SIG	2	×	<a href="#">AT-114</a>
P0740	0740	TCC SOLENOID/CIRC	2	×	<a href="#">AT-116</a>
P0744	0744	A/T TCC S/V FNCTN	2	×	<a href="#">AT-118</a>
P0745	0745	L/PRESS SOL/CIRC	2	×	<a href="#">AT-120</a>
P1065	1065	ECM BACK UP/CIRCUIT	2	×	<a href="#">EC-407</a>
P1111	1111	INT/V TIM V/CIR-B1	2	×	<a href="#">EC-411</a>
P1121	1121	ETC ACTR	1	×	<a href="#">EC-418</a>
P1122	1122	ETC FUNCTION/CIRC	1	×	<a href="#">EC-420</a>
P1124	1124	ETC MOT PWR	1	×	<a href="#">EC-426</a>
P1126	1126	ETC MOT PWR	1	×	<a href="#">EC-426</a>
P1128	1128	ETC MOT	1	×	<a href="#">EC-431</a>
P1136	1136	INT/V TIM V/CIR-B2	2	×	<a href="#">EC-411</a>
P1143	1143	HO2S1 (B1)	2	×	<a href="#">EC-436</a>
P1144	1144	HO2S1 (B1)	2	×	<a href="#">EC-442</a>
P1146	1146	HO2S2 (B1)	2	×	<a href="#">EC-449</a>
P1147	1147	HO2S2 (B1)	2	×	<a href="#">EC-460</a>
P1148	1148	CLOSED LOOP-B1	1	×	<a href="#">EC-471</a>
P1163	1163	HO2S1 (B2)	2	×	<a href="#">EC-436</a>
P1164	1164	HO2S1 (B2)	2	×	<a href="#">EC-442</a>
P1166	1166	HO2S2 (B2)	2	×	<a href="#">EC-449</a>
P1167	1167	HO2S2 (B2)	2	×	<a href="#">EC-460</a>
P1168	1168	CLOSED LOOP-B2	1	×	<a href="#">EC-471</a>
P1211	1211	TCS C/U FUNCTN	2	—	<a href="#">EC-473</a>
P1212	1212	TCS/CIRC	2	—	<a href="#">EC-474</a>
P1217	1217	ENG OVER TEMP	1	×	<a href="#">EC-475</a>
P1225	1225	CTP LEARNING	2	—	<a href="#">EC-488</a>
P1226	1226	CTP LEARNING	2	—	<a href="#">EC-490</a>
P1229	1229	SENSOR POWER/CIRC	1	×	<a href="#">EC-492</a>
P1444	1444	PURG VOLUME CONT/V	2	×	<a href="#">EC-497</a>
P1446	1446	VENT CONTROL VALVE	2	×	<a href="#">EC-505</a>
P1564	1564	ASCD SW	1	—	<a href="#">EC-512</a>
P1572	1572	ASCD BRAKE SW	1	—	<a href="#">EC-519</a>
P1574	1574	ASCD VHL SPD SEN	1	—	<a href="#">EC-536</a>
P1610 - P1615	1610 - 1615	NATS MALFUNCTION	2	—	<a href="#">EC-71</a>
P1705	1705	TP SEN/CIRC A/T	1	×	<a href="#">AT-128</a>
P1706	1706	P-N POS SW/CIRCUIT	2	×	<a href="#">EC-538</a>
P1716	1716	TURBINE REV S/CIRC	2	×	<a href="#">AT-132</a>
P1730	1730	A/T INTERLOCK	1	×	<a href="#">AT-136</a>
P1752	1752	I/C SOLENOID/CIRC	1	×	<a href="#">AT-141</a>

# INDEX FOR DTC

DTC*1		Items (CONSULT-II screen terms)	Trip	MIL lighting up	Reference page
CONSULT-II GST*2	ECM*3				
P1754	1754	I/C SOLENOID FNCTN	1	×	<a href="#">AT-143</a>
P1757	1757	FR/B SOLENOID/CIRC	1	×	<a href="#">AT-145</a>
P1759	1759	FR/B SOLENOID FNCT	1	×	<a href="#">AT-147</a>
P1762	1762	D/C SOLENOID/CIRC	1	×	<a href="#">AT-149</a>
P1764	1764	D/C SOLENOID FNCTN	1	×	<a href="#">AT-151</a>
P1767	1767	HLR/C SOL/CIRC	1	×	<a href="#">AT-153</a>
P1769	1769	HLR/C SOL FNCTN	1	×	<a href="#">AT-155</a>
P1772	1772	LC/B SOLENOID/CIRC	1	×	<a href="#">AT-157</a>
P1774	1774	LC/B SOLENOID FNCT	1	×	<a href="#">AT-159</a>
P1805	1805	BRAKE SW/CIRCUIT	2	—	<a href="#">EC-546</a>
P2122	2122	APP SEN 1/CIRC	1	×	<a href="#">EC-552</a>
P2123	2123	APP SEN 1/CIRC	1	×	<a href="#">EC-552</a>
P2127	2127	APP SEN 2/CIRC	1	×	<a href="#">EC-559</a>
P2128	2128	APP SEN 2/CIRC	1	×	<a href="#">EC-559</a>
P2135	2135	TP SENSOR	1	×	<a href="#">EC-566</a>
P2138	2138	APP SENSOR	1	×	<a href="#">EC-573</a>

\*1: 1st trip DTC No. is the same as DTC No.

\*2: These numbers are prescribed by SAE J2012.

\*3: In Diagnostic Test Mode II (Self-diagnostic results), these numbers are controlled by NISSAN.

\*4: When engine is running.

\*5: The troubleshooting for these DTCs need CONSULT-II.

\*6: When the fail-safe operations for both self-diagnoses occur, the MIL illuminates.

**NOTE:**

Regarding Z33 models, "B1" indicates bank 1, "B2" indicates bank 2.

A  
EC  
C  
D  
E  
F  
G  
H  
I  
J  
K  
L  
M

# PRECAUTIONS

## PRECAUTIONS

PFP:00001

### Precautions for Supplemental Restraint System (SRS) “AIR BAG” and “SEAT BELT PRE-TENSIONER”

ABS008G0

The Supplemental Restraint System such as “AIR BAG” and “SEAT BELT PRE-TENSIONER”, used along with a front seat belt, helps to reduce the risk or severity of injury to the driver and front passenger for certain types of collision. This system includes seat belt switch inputs and dual stage front air bag modules. The SRS system uses the seat belt switches to determine the front air bag deployment, and may only deploy one front air bag, depending on the severity of a collision and whether the front occupants are belted or unbelted. Information necessary to service the system safely is included in the SRS and SB section of this Service Manual.

#### **WARNING:**

- To avoid rendering the SRS inoperative, which could increase the risk of personal injury or death in the event of a collision which would result in air bag inflation, all maintenance must be performed by an authorized NISSAN/INFINITI dealer.
- Improper maintenance, including incorrect removal and installation of the SRS, can lead to personal injury caused by unintentional activation of the system. For removal of Spiral Cable and Air Bag Module, see the SRS section.
- Do not use electrical test equipment on any circuit related to the SRS unless instructed to in this Service Manual. SRS wiring harnesses can be identified by yellow and/or orange harnesses or harness connectors.

### Precautions for Battery Service

ABS0036U

Before disconnecting the battery, lower both the driver and passenger windows. This will prevent any interference between the window edge and the vehicle when the door is opened/closed. During normal operation, the window slightly raises and lowers automatically to prevent any window to vehicle interference. The automatic window function will not work with the battery disconnected.

### On Board Diagnostic (OBD) System of Engine and A/T

ABS000R6

The ECM has an on board diagnostic system. It will light up the malfunction indicator lamp (MIL) to warn the driver of a malfunction causing emission deterioration.

#### **CAUTION:**

- Be sure to turn the ignition switch OFF and disconnect the negative battery cable before any repair or inspection work. The open/short circuit of related switches, sensors, solenoid valves, etc. will cause the MIL to light up.
- Be sure to connect and lock the connectors securely after work. A loose (unlocked) connector will cause the MIL to light up due to the open circuit. (Be sure the connector is free from water, grease, dirt, bent terminals, etc.)
- Certain systems and components, especially those related to OBD, may use a new style slide-locking type harness connector. For description and how to disconnect, refer to [PG-68, "HARNESS CONNECTOR"](#).
- Be sure to route and secure the harnesses properly after work. The interference of the harness with a bracket, etc. may cause the MIL to light up due to the short circuit.
- Be sure to connect rubber tubes properly after work. A misconnected or disconnected rubber tube may cause the MIL to light up due to the malfunction of the EVAP system or fuel injection system, etc.
- Be sure to erase the unnecessary malfunction information (repairs completed) from the ECM and TCM (Transmission control module) before returning the vehicle to the customer.

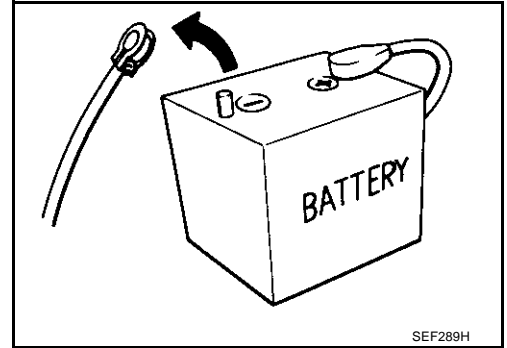


# PRECAUTIONS

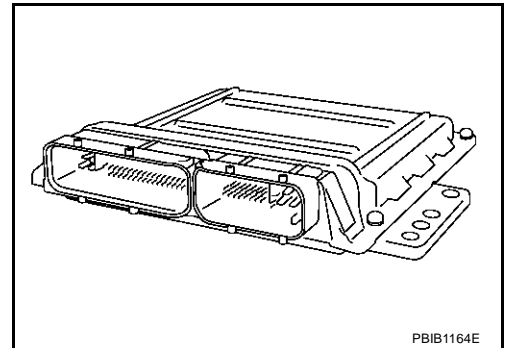
## Precaution

ABS000R7

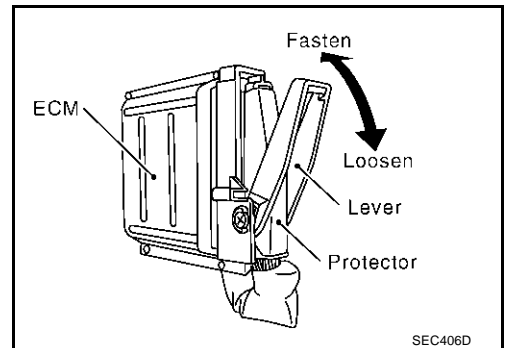
- Always use a 12 volt battery as power source.
- Do not attempt to disconnect battery cables while engine is running.
- Before connecting or disconnecting the ECM harness connector, turn ignition switch OFF and disconnect battery ground cable. Failure to do so may damage the ECM because battery voltage is applied to ECM even if ignition switch is turned OFF.
- Before removing parts, turn ignition switch OFF and then disconnect battery ground cable.



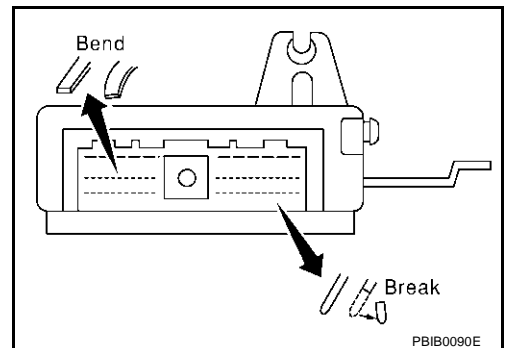
- Do not disassemble ECM.
- If a battery cable is disconnected, the memory will return to the ECM value. The ECM will now start to self-control at its initial value. Engine operation can vary slightly when the terminal is disconnected. However, this is not an indication of a malfunction. Do not replace parts because of a slight variation.



- When connecting ECM harness connector, fasten it securely with a lever as far as it will go as shown at right.



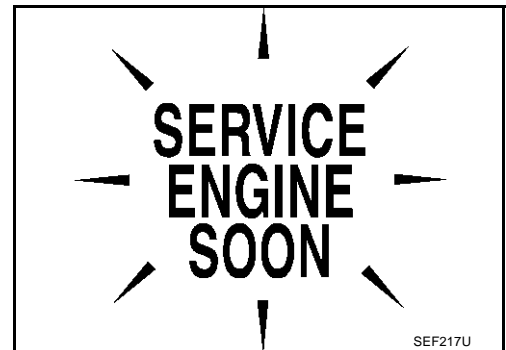
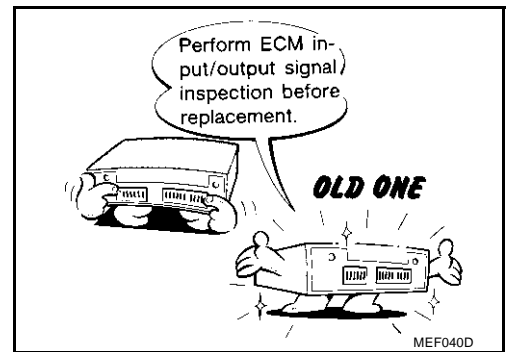
- When connecting or disconnecting pin connectors into or from ECM, take care not to damage pin terminals (bend or break). Make sure that there are not any bends or breaks on ECM pin terminal, when connecting pin connectors.
- Securely connect ECM harness connectors. A poor connection can cause an extremely high (surge) voltage to develop in coil and condenser, thus resulting in damage to ICs.
- Keep engine control system harness at least 10 cm (4 in) away from adjacent harness, to prevent engine control system malfunctions due to receiving external noise, degraded operation of ICs, etc.
- Keep engine control system parts and harness dry.



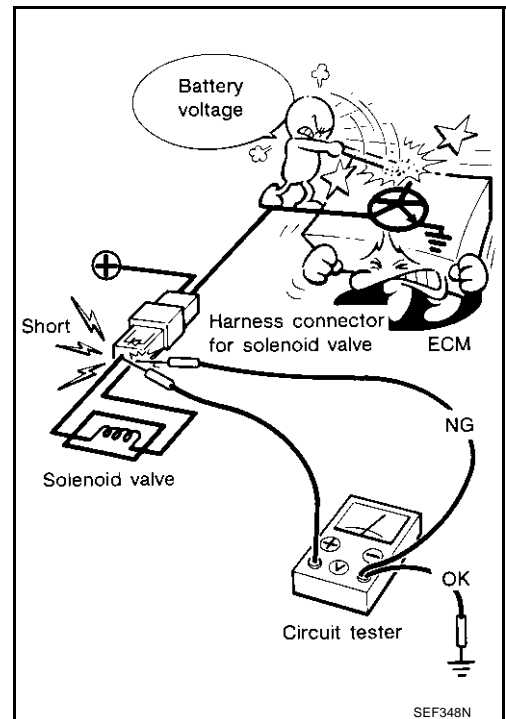
A  
EC  
C  
D  
E  
F  
G  
H  
I  
J  
K  
L  
M

## PRECAUTIONS

- Before replacing ECM, perform “ECM Terminals and Reference Value” inspection and make sure ECM functions properly. Refer to [EC-103](#).
- Handle mass air flow sensor carefully to avoid damage.
- Do not disassemble mass air flow sensor.
- Do not clean mass air flow sensor with any type of detergent.
- Do not disassemble electric throttle control actuator.
- Even a slight leak in the air intake system can cause serious incidents.
- Do not shock or jar the camshaft position sensor (PHASE), crankshaft position sensor (POS).
- After performing each TROUBLE DIAGNOSIS, perform “DTC Confirmation Procedure” or “Overall Function Check”.  
The DTC should not be displayed in the “DTC Confirmation Procedure” if the repair is completed. The “Overall Function Check” should be a good result if the repair is completed.

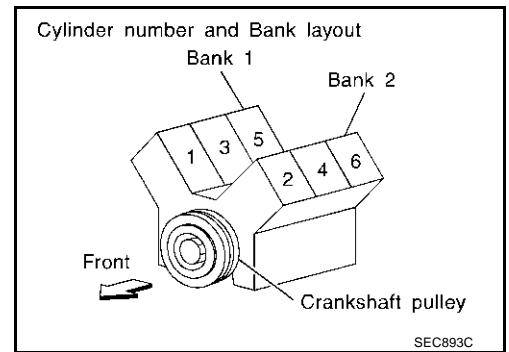


- When measuring ECM signals with a circuit tester, never allow the two tester probes to contact. Accidental contact of probes will cause a short circuit and damage the ECM power transistor.
- Do not use ECM ground terminals when measuring input/output voltage. Doing so may result in damage to the ECM's transistor. Use a ground other than ECM terminals, such as the ground.

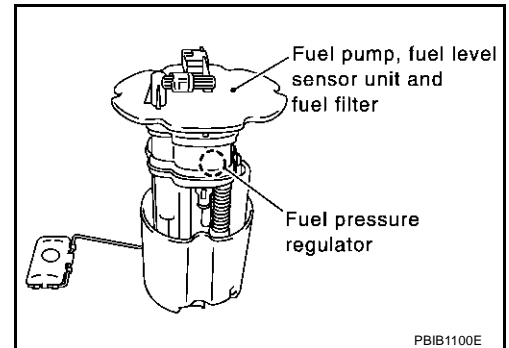


# PRECAUTIONS

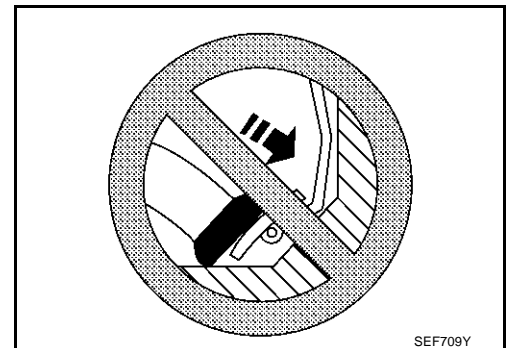
- Regarding model Z33, "B1" indicates the bank 1, "B2" indicates the bank 2 as shown in the figure.



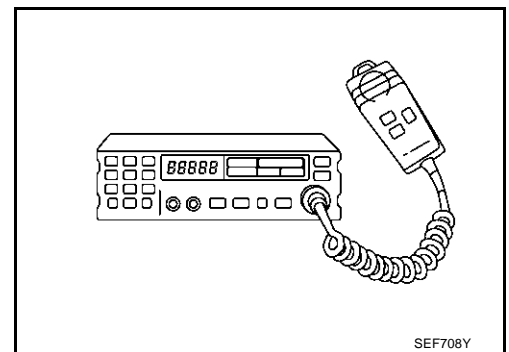
- Do not operate fuel pump when there is no fuel in lines.
- Tighten fuel hose clamps to the specified torque.



- Do not depress accelerator pedal when starting.
- Immediately after starting, do not rev up engine unnecessarily.
- Do not rev up engine just prior to shutdown.



- When installing C.B. ham radio or a mobile phone, be sure to observe the following as it may adversely affect electronic control systems depending on installation location.
  - Keep the antenna as far as possible from the electronic control units.
  - Keep the antenna feeder line more than 20 cm (8 in) away from the harness of electronic controls. Do not let them run parallel for a long distance.
  - Adjust the antenna and feeder line so that the standing-wave ratio can be kept smaller.
  - Be sure to ground the radio to vehicle body.



## Wiring Diagrams and Trouble Diagnosis

ABS000R8

When you read wiring diagrams, refer to the following:

- [GI-15, "How to Read Wiring Diagrams"](#)
- [PG-4, "POWER SUPPLY ROUTING CIRCUIT"](#) for power distribution circuit

When you perform trouble diagnosis, refer to the following:

- [GI-11, "HOW TO FOLLOW TEST GROUPS IN TROUBLE DIAGNOSES"](#)
- [GI-27, "How to Perform Efficient Diagnosis for an Electrical Incident"](#)

A  
EC  
C  
D  
E  
F  
G  
H  
I  
J  
K  
L  
M

# PREPARATION

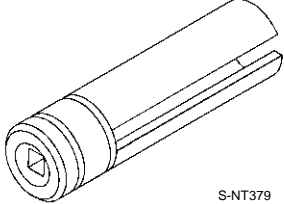
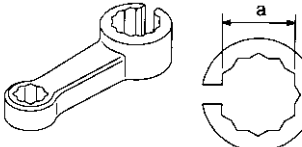
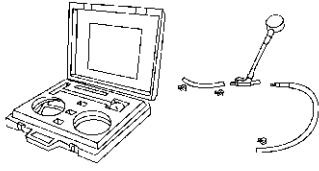
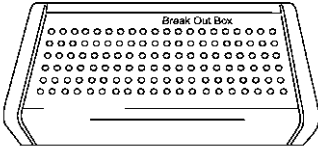
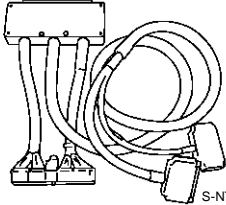
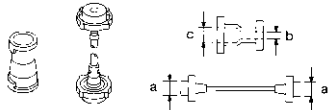
## PREPARATION

PFP:00002

### Special Service Tools

ABS000R9

The actual shapes of Kent-Moore tools may differ from those of special service tools illustrated here.

Tool number (Kent-Moore No.) Tool name	Description
KV10117100 (J36471-A) Heated oxygen sensor wrench  <p style="text-align: right; margin-right: 50px;">S-NT379</p>	Loosening or tightening heated oxygen sensors with 22 mm (0.87 in) hexagon nut
KV10114400 (J-38365) Heated oxygen sensor wrench  <p style="text-align: right; margin-right: 50px;">S-NT636</p>	Loosening or tightening heated oxygen sensors <b>a: 22 mm (0.87 in)</b>
(J-44321) Fuel pressure gauge kit  <p style="text-align: right; margin-right: 50px;">LEC642</p>	Checking fuel pressure
KV109E0010 (J-46209) Break-out box  <p style="text-align: right; margin-right: 50px;">S-NT825</p>	Measuring the ECM signals with a circuit tester
KV109E0080 (J-45819) Y-cable adapter  <p style="text-align: right; margin-right: 50px;">S-NT826</p>	Measuring the ECM signals with a circuit tester
EG17650301 (J-33984-A) Radiator cap tester adapter  <p style="text-align: right; margin-right: 50px;">S-NT564</p>	Adapting radiator cap tester to radiator cap and radiator filler neck <b>a: 28 (1.10) dia.</b> <b>b: 31.4 (1.236) dia.</b> <b>c: 41.3 (1.626) dia.</b> Unit: mm (in)

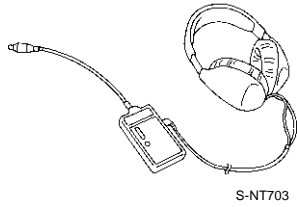
# PREPARATION

## Commercial Service Tools

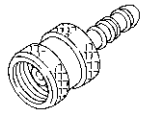
ABS000RA

Tool name (Kent-Moore No.)	Description
Leak detector i.e.: (J41416)	Locating the EVAP leak
EVAP service port adapter i.e.: (J41413-OB)	Applying positive pressure through EVAP service port
Fuel filler cap adapter i.e.: (MLR-8382)	Checking fuel tank vacuum relief valve opening pressure
Socket wrench	Removing and installing engine coolant temperature sensor
Oxygen sensor thread cleaner i.e.: (J-43897-18) (J-43897-12)	Reconditioning the exhaust system threads before installing a new oxygen sensor. Use with anti-seize lubricant shown below. <b>a: 18 mm diameter with pitch 1.5 mm for Zirconia Oxygen Sensor</b> <b>b: 12 mm diameter with pitch 1.25 mm for Titania Oxygen Sensor</b>
Anti-seize lubricant i.e.: (Permatex™ 133AR or equivalent meeting MIL specification MIL-A-907)	Lubricating oxygen sensor thread cleaning tool when reconditioning exhaust system threads.

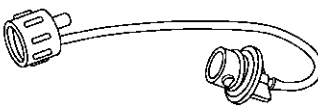
A  
EC  
C  
D  
E  
F  
G  
H  
I  
J  
K  
L  
M



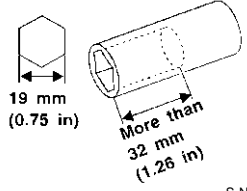
S-NT703



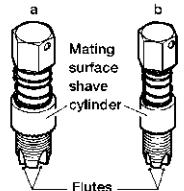
S-NT704



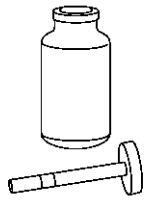
S-NT815



S-NT705



AEM488



S-NT779

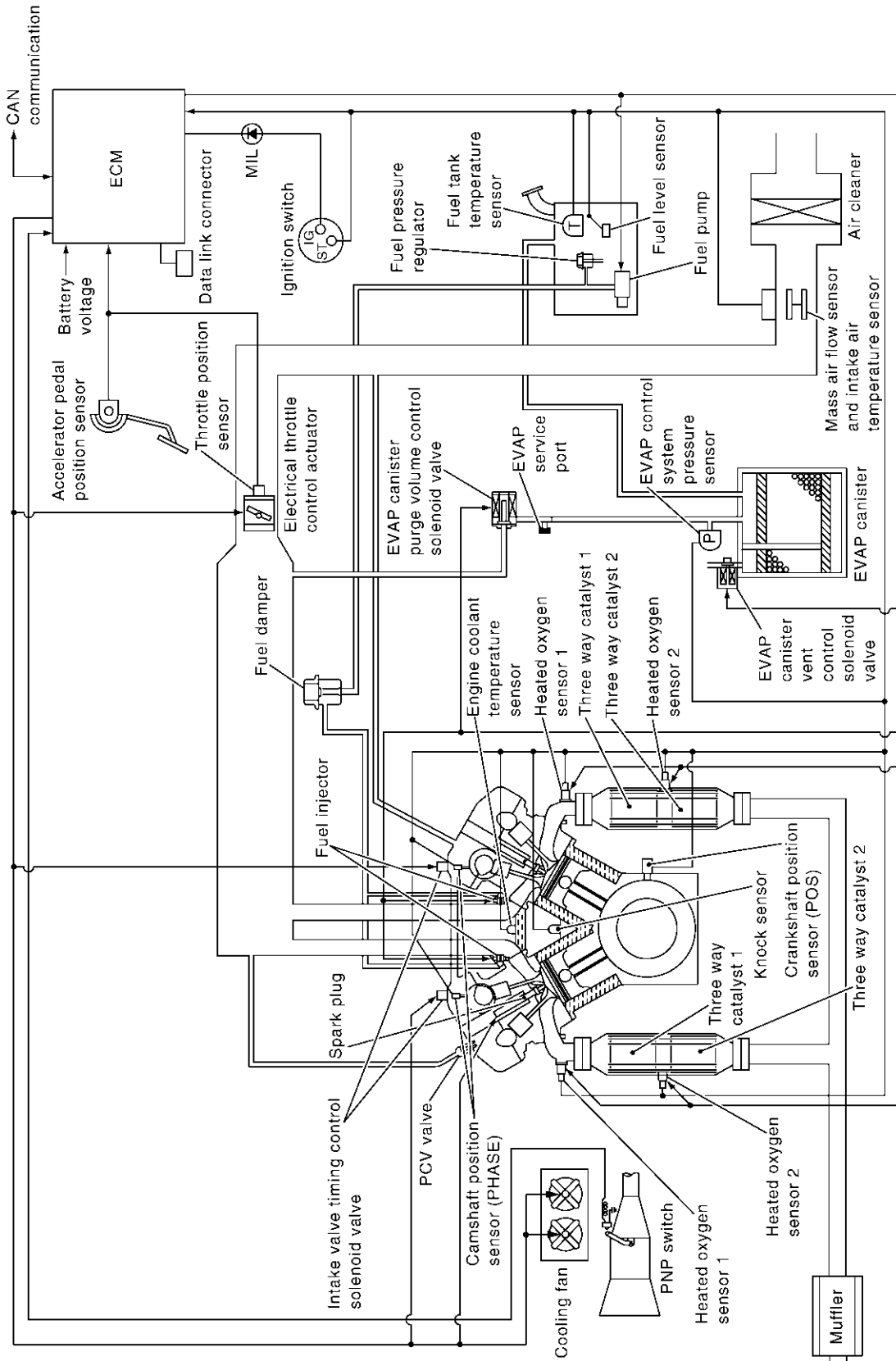
# ENGINE CONTROL SYSTEM

## ENGINE CONTROL SYSTEM

PF23710

### System Diagram

ABS000RB



PBIB1101E

# ENGINE CONTROL SYSTEM

## Vacuum Hose Drawing

ABS000RC

A

EC

C

D

E

F

G

H

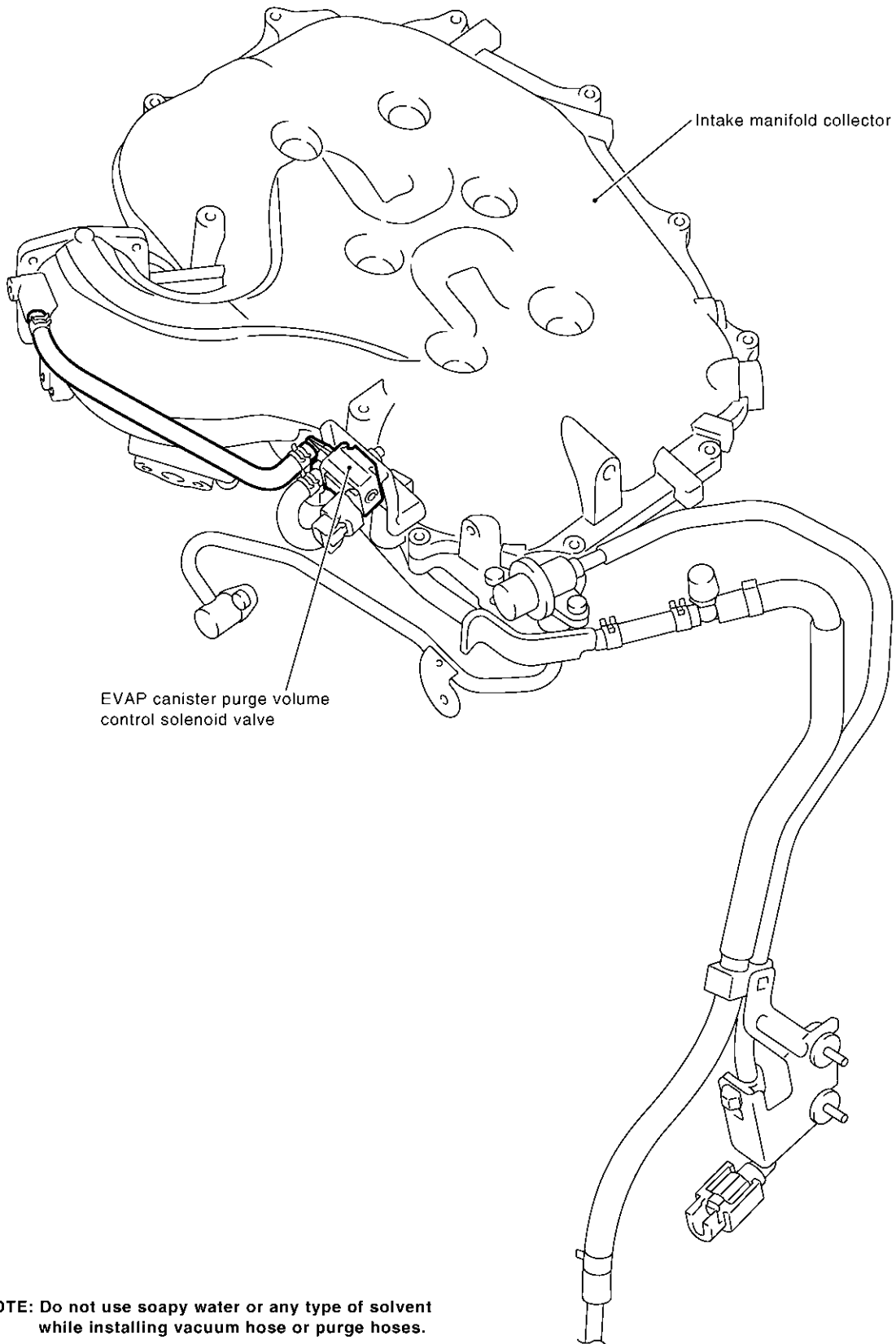
I

J

K

L

M



EVAP canister purge volume control solenoid valve

Intake manifold collector

NOTE: Do not use soapy water or any type of solvent while installing vacuum hose or purge hoses.

Refer to [EC-22, "System Diagram"](#) for Vacuum Control System.

PBIB1552E

# ENGINE CONTROL SYSTEM

## System Chart

ABS000RD

Input (Sensor)	ECM Function	Output (Actuator)
● Camshaft position sensor (PHASE)	Fuel injection & mixture ratio control	Fuel injectors
● Crankshaft position sensor (POS)	Electronic ignition system	Power transistor
● Mass air flow sensor	Fuel pump control	Fuel pump relay
● Engine coolant temperature sensor	ASCD vehicle speed control	Electric throttle control actuator
● Heated oxygen sensor 1	On board diagnostic system	MIL (On the instrument panel)*4
● Throttle position sensor	Heated oxygen sensor 1 heater control	Heated oxygen sensor 1 heater
● Accelerator pedal position sensor	Heated oxygen sensor 2 heater control	Heated oxygen sensor 2 heater
● Park/neutral position (PNP) switch	EVAP canister purge flow control	EVAP canister purge volume control solenoid valve
● Intake air temperature sensor	Air conditioning cut control	Air conditioner relay*4
● Power steering pressure sensor	Cooling fan control	Cooling fan relays*4
● Ignition switch		
● Battery voltage		
● Knock sensor		
● Refrigerant pressure sensor		
● Stop lamp switch		
● ASCD steering switch		
● ASCD brake switch		
● ASCD clutch switch		
● Fuel level sensor*1 *3		
● EVAP control system pressure sensor	ON BOARD DIAGNOSIS for EVAP system	EVAP canister vent control valve
● Fuel tank temperature sensor*1		
● Heated oxygen sensor 2 *2		
● TCM (Transmission control module) *3		
● Air conditioner switch*3		
● Wheel sensor*3		
● Electrical load signal*3		

\*1: These sensors are not used to control the engine system. They are used only for the on board diagnosis.

\*2: This sensor is not used to control the engine system under normal conditions.

\*3: These input signals are sent to the ECM through CAN communication line.

\*4: These output signals are sent from the ECM through CAN communication line.



# ENGINE CONTROL SYSTEM

## Multipoint Fuel Injection (MFI) System INPUT/OUTPUT SIGNAL CHART

ABS000RE

Sensor	Input Signal to ECM	ECM function	Actuator
Crankshaft position sensor (POS)	Engine speed*3 Piston position	Fuel injection & mixture ratio control	Fuel injectors
Camshaft position sensor (PHASE)			
Mass air flow sensor	Amount of intake air		
Engine coolant temperature sensor	Engine coolant temperature		
Heated oxygen sensor 1	Density of oxygen in exhaust gas		
Throttle position sensor	Throttle position		
Accelerator pedal position sensor	Accelerator pedal position		
Park/neutral position (PNP) switch	Gear position		
Knock sensor	Engine knocking condition		
Battery	Battery voltage*3		
Power steering pressure sensor	Power steering operation		
Heated oxygen sensor 2 *1	Density of oxygen in exhaust gas		
Air conditioner switch*2	Air conditioner operation		
Wheel sensor*2	Vehicle speed		

\*1: Under normal conditions, this sensor is not for engine control operation.

\*2: These signals are sent to the ECM through CAN communication line.

\*3: ECM determines the start signal status by the signals of engine speed and battery voltage.

### SYSTEM DESCRIPTION

The amount of fuel injected from the fuel injector is determined by the ECM. The ECM controls the length of time the valve remains open (injection pulse duration). The amount of fuel injected is a program value in the ECM memory. The program value is preset by engine operating conditions. These conditions are determined by input signals (for engine speed and intake air) from both the crankshaft position sensor and the mass air flow sensor.

### VARIOUS FUEL INJECTION INCREASE/DECREASE COMPENSATION

In addition, the amount of fuel injected is compensated to improve engine performance under various operating conditions as listed below.

<Fuel increase>

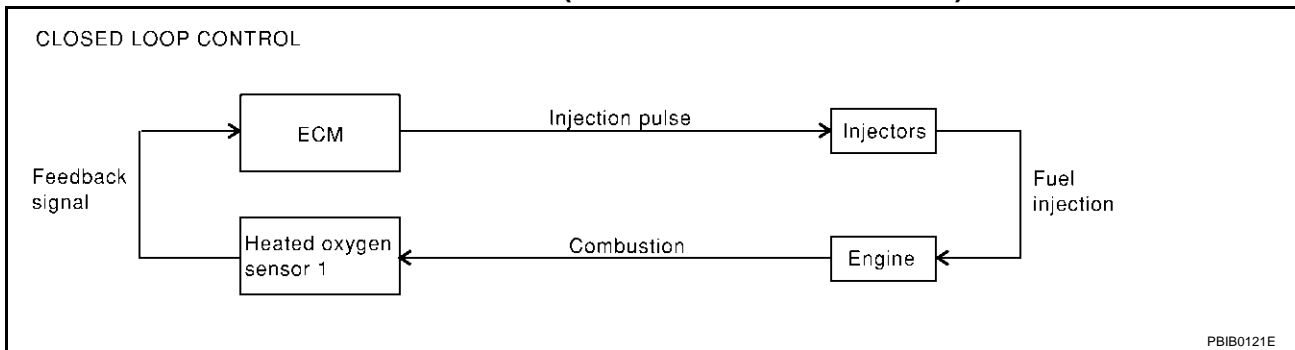
- During warm-up
- When starting the engine
- During acceleration
- Hot-engine operation
- When selector lever is changed from "N" to "D" (A/T models)
- High-load, high-speed operation

<Fuel decrease>

- During deceleration
- During high engine speed operation

# ENGINE CONTROL SYSTEM

## MIXTURE RATIO FEEDBACK CONTROL (CLOSED LOOP CONTROL)



The mixture ratio feedback system provides the best air-fuel mixture ratio for driveability and emission control. The three way catalyst 1 can then better reduce CO, HC and NOx emissions. This system uses heated oxygen sensor 1 in the exhaust manifold to monitor if the engine operation is rich or lean. The ECM adjusts the injection pulse width according to the sensor voltage signal. For more information about heated oxygen sensor 1, refer to [EC-207](#). This maintains the mixture ratio within the range of stoichiometric (ideal air-fuel mixture). This stage is referred to as the closed loop control condition.

Heated oxygen sensor 2 is located downstream of the three way catalyst 1. Even if the switching characteristics of heated oxygen sensor 1 shift, the air-fuel ratio is controlled to stoichiometric by the signal from heated oxygen sensor 2.

### Open Loop Control

The open loop system condition refers to when the ECM detects any of the following conditions. Feedback control stops in order to maintain stabilized fuel combustion.

- Deceleration and acceleration
- High-load, high-speed operation
- Malfunction of heated oxygen sensor 1 or its circuit
- Insufficient activation of heated oxygen sensor 1 at low engine coolant temperature
- High engine coolant temperature
- During warm-up
- After shifting from "N" to "D" (A/T models)
- When starting the engine

### MIXTURE RATIO SELF-LEARNING CONTROL

The mixture ratio feedback control system monitors the mixture ratio signal transmitted from heated oxygen sensor 1. This feedback signal is then sent to the ECM. The ECM controls the basic mixture ratio as close to the theoretical mixture ratio as possible. However, the basic mixture ratio is not necessarily controlled as originally designed. Both manufacturing differences (i.e., mass air flow sensor hot film) and characteristic changes during operation (i.e., injector clogging) directly affect mixture ratio.

Accordingly, the difference between the basic and theoretical mixture ratios is monitored in this system. This is then computed in terms of "injection pulse duration" to automatically compensate for the difference between the two ratios.

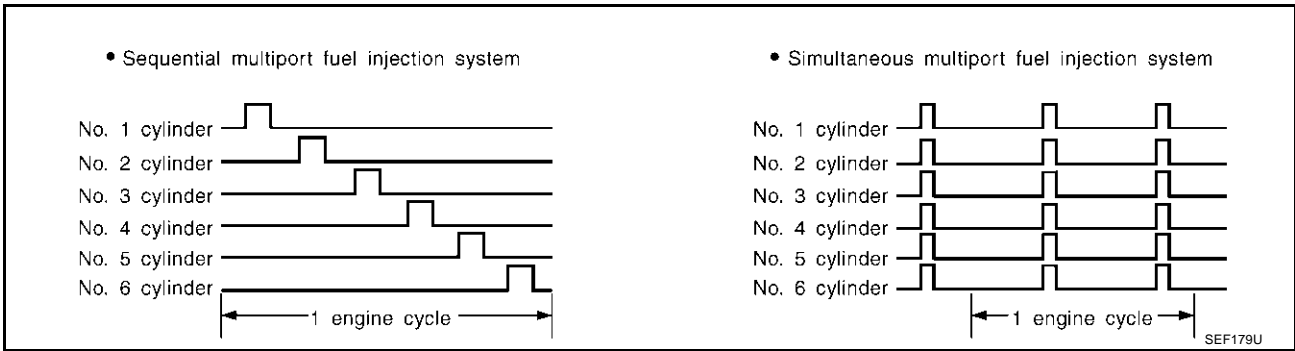
"Fuel trim" refers to the feedback compensation value compared against the basic injection duration. Fuel trim includes short term fuel trim and long term fuel trim.

"Short term fuel trim" is the short-term fuel compensation used to maintain the mixture ratio at its theoretical value. The signal from heated oxygen sensor 1 indicates whether the mixture ratio is RICH or LEAN compared to the theoretical value. The signal then triggers a reduction in fuel volume if the mixture ratio is rich, and an increase in fuel volume if it is lean.

"Long term fuel trim" is overall fuel compensation carried out long-term to compensate for continual deviation of the short term fuel trim from the central value. Such deviation will occur due to individual engine differences, wear over time and changes in the usage environment.

# ENGINE CONTROL SYSTEM

## FUEL INJECTION TIMING



Two types of systems are used.

### Sequential Multiport Fuel Injection System

Fuel is injected into each cylinder during each engine cycle according to the firing order. This system is used when the engine is running.

### Simultaneous Multiport Fuel Injection System

Fuel is injected simultaneously into all six cylinders twice each engine cycle. In other words, pulse signals of the same width are simultaneously transmitted from the ECM.

The six injectors will then receive the signals two times for each engine cycle.

This system is used when the engine is being started and/or if the fail-safe system (CPU) is operating.

## FUEL SHUT-OFF

Fuel to each cylinder is cut off during deceleration or operation of the engine at excessively high speeds.

## Electronic Ignition (EI) System INPUT/OUTPUT SIGNAL CHART

ABS000RF

Sensor	Input Signal to ECM	ECM function	Actuator
Crankshaft position sensor (POS)	Engine speed*2 Piston position	Ignition timing control	Power transistor
Camshaft position sensor (PHASE)			
Mass air flow sensor	Amount of intake air		
Engine coolant temperature sensor	Engine coolant temperature		
Throttle position sensor	Throttle position		
Accelerator pedal position sensor	Accelerator pedal position		
Knock sensor	Engine knocking		
Park/neutral position (PNP) switch	Gear position		
Battery	Battery voltage*2		
Wheel sensor*1	Vehicle speed		

\*1: This signal is sent to the ECM through CAN communication line.

\*2: ECM determines the start signal status by the signals of engine speed and battery voltage.

## SYSTEM DESCRIPTION

The ignition timing is controlled by the ECM to maintain the best air-fuel ratio for every running condition of the engine. The ignition timing data is stored in the ECM. This data forms the map shown.

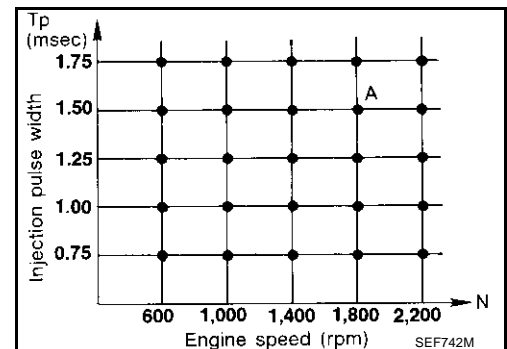
The ECM receives information such as the injection pulse width and camshaft position sensor signal. Computing this information, ignition signals are transmitted to the power transistor.

e.g., N: 1,800 rpm, Tp: 1.50 msec

A °BTDC

During the following conditions, the ignition timing is revised by the ECM according to the other data stored in the ECM.

- At starting
- During warm-up



# ENGINE CONTROL SYSTEM

- At idle
- At low battery voltage
- During acceleration

The knock sensor retard system is designed only for emergencies. The basic ignition timing is programmed within the anti-knocking zone, if recommended fuel is used under dry conditions. The retard system does not operate under normal driving conditions. If engine knocking occurs, the knock sensor monitors the condition. The signal is transmitted to the ECM. The ECM retards the ignition timing to eliminate the knocking condition.

## Air Conditioning Cut Control INPUT/OUTPUT SIGNAL CHART

ABS000RG

Sensor	Input Signal to ECM	ECM function	Actuator
Air conditioner switch* <sup>1</sup>	Air conditioner "ON" signal	Air conditioner cut control	Air conditioner relay
Throttle position sensor	Throttle position		
Accelerator pedal position sensor	Accelerator pedal position		
Crankshaft position sensor (POS) Camshaft position sensor (PHASE)	Engine speed* <sup>2</sup>		
Engine coolant temperature sensor	Engine coolant temperature		
Battery	Battery voltage* <sup>2</sup>		
Refrigerant pressure sensor	Refrigerant pressure		
Power steering pressure sensor	Power steering operation		
Wheel sensor* <sup>1</sup>	Vehicle speed		

\*1: These signals are sent to the ECM through CAN communication line.

\*2: ECM determines the start signal status by the signals of engine speed and battery voltage.

## SYSTEM DESCRIPTION

This system improves engine operation when the air conditioner is used. Under the following conditions, the air conditioner is turned off.

- When the accelerator pedal is fully depressed.
- When cranking the engine.
- At high engine speeds.
- When the engine coolant temperature becomes excessively high.
- When operating power steering during low engine speed or low vehicle speed.
- When engine speed is excessively low.
- When refrigerant pressure is excessively low or high.

## Fuel Cut Control (at No Load and High Engine Speed) INPUT/OUTPUT SIGNAL CHART

ABS000RH

Sensor	Input Signal to ECM	ECM function	Actuator
Park/neutral position (PNP) switch	Neutral position	Fuel cut control	Fuel injectors
Throttle position sensor	Throttle position		
Accelerator pedal position sensor	Accelerator pedal position		
Engine coolant temperature sensor	Engine coolant temperature		
Crankshaft position sensor (POS) Camshaft position sensor (PHASE)	Engine speed		
Wheel sensor*	Vehicle speed		

\*: This signal is sent to the ECM through CAN communication line.

## SYSTEM DESCRIPTION

If the engine speed is above 1,800 rpm with no load (for example, in neutral and engine speed over 1,800 rpm) fuel will be cut off after some time. The exact time when the fuel is cut off varies based on engine speed. Fuel cut will operate until the engine speed reaches 1,500 rpm, then fuel cut is cancelled.

# ENGINE CONTROL SYSTEM

---

**NOTE:**

This function is different from deceleration control listed under "Multiport Fuel Injection (MFI) System", [EC-25](#). A

EC

C

D

E

F

G

H

I

J

K

L

M

# ENGINE CONTROL SYSTEM

ABS000RI

## CAN communication SYSTEM DESCRIPTION

CAN (Controller Area Network) is a serial communication line for real time application. It is an on-vehicle multiplex communication line with high data communication speed and excellent error detection ability. Many electronic control units are equipped onto a vehicle, and each control unit shares information and links with other control units during operation (not independent). In CAN communication, control units are connected with 2 communication lines (CAN H line, CAN L line) allowing a high rate of information transmission with less wiring. Each control unit transmits/receives data but selectively reads required data only.

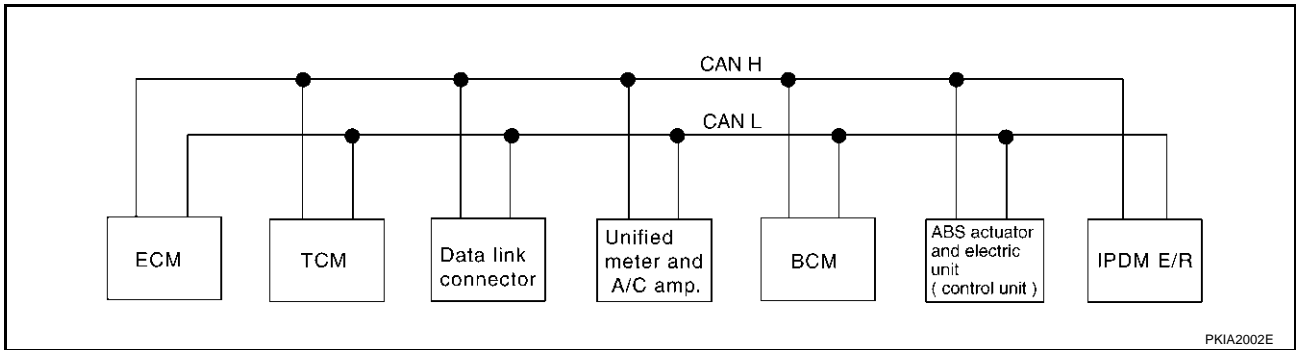
## CAN COMMUNICATION UNIT

Body type	Coupe						
Axle	2WD						
Engine	VQ35DE						
Transmission	A/T	M/T					
Brake control	TCS	ABS		TCS		VDC	
Low tire pressure warning system	Not applicable	Not applicable	Applicable	Not applicable	Applicable	Not applicable	Applicable
CAN communication unit							
ECM	×	×	×	×	×	×	×
TCM	×						
Data link connector	×	×	×	×	×	×	×
Unified meter and A/C amp.	×	×	×	×	×	×	×
BCM	×	×	×	×	×	×	×
Low tire pressure warning control unit			×		×		×
Steering angle sensor						×	×
ABS actuator and electric unit (control unit)	×	×	×	×	×		
VDC/TCS/ABS control unit						×	×
IPDM E/R	×	×	×	×	×	×	×
CAN communication type	<u>EC-31, "Type 1"</u>	<u>EC-33, "Type 2 / Type 3"</u>		<u>EC-35, "Type 4 / Type 5"</u>		<u>EC-37, "Type 6 / Type 7"</u>	

×: Applicable

# ENGINE CONTROL SYSTEM

## Type 1 SYSTEM DIAGRAM



## INPUT/OUTPUT SIGNAL CHART

T: Transmit R: Receive

Signals	ECM	TCM	Unified meter and A/C amp.	BCM	ABS actuator and electric unit (control unit)	IPDM E/R
Engine speed signal	T	R	R		R	
Engine torque signal	T	R			R	
Engine coolant temperature signal	T	R	R			
Accelerator pedal position signal	T	R			R	
Closed throttle position signal	T	R				
Wide open throttle position signal	T	R				
Battery voltage signal	T	R				
Stop lamp switch signal		R	T			
Fuel consumption monitor signal	T		R			
A/T self-diagnosis signal	R	T				
A/T CHECK indicator lamp signal		T	R			
A/T position indicator signal		T	R		R	
Manual mode gear position signal		T	R			
ABS operation signal		R			T	
A/T shift schedule change demand signal		R			T	
A/C switch signal	R			T		
A/C compressor request signal	T					R
A/C compressor feedback signal	T		R			
Blower fan motor switch signal	R			T		
Cooling fan speed request signal	T					R
Position lights request signal			R	T		R
Low beam request signal				T		R
Low beam status signal	R					T
High beam request signal			R	T		R
High beam status signal	R					T
Vehicle speed signal			R		T	
	R	R	T	R		
Sleep request 1 signal			R	T		
Sleep request 2 signal				T		R
Wake up request 1 signal			R	T		

# ENGINE CONTROL SYSTEM

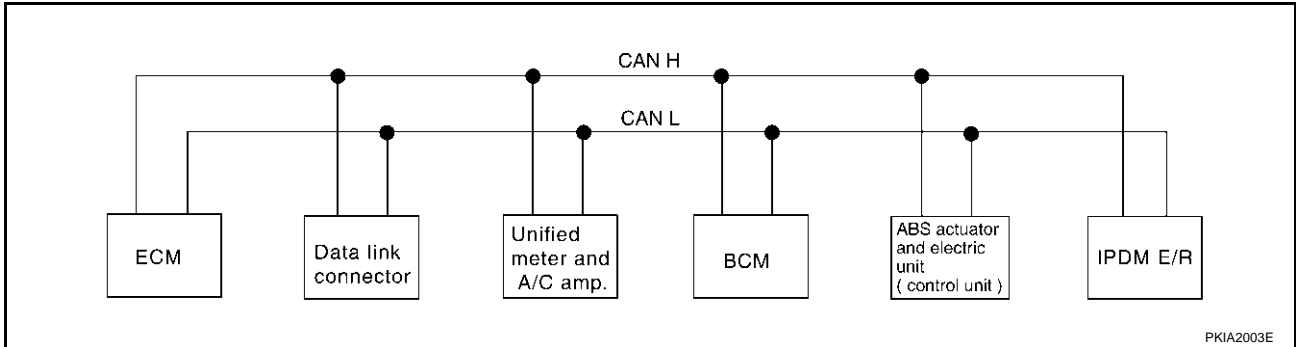
Signals	ECM	TCM	Unified meter and A/C amp.	BCM	ABS actuator and electric unit (control unit)	IPDM E/R
Door switch signal			R	T		R
Turn indicator signal			R	T		
Seat belt buckle switch signal			T	R		
Buzzer output signal			R	T		
Fuel level sensor signal	R		T			
Malfunction indicator lamp signal	T		R			
ASCD SET lamp signal	T		R			
ASCD operation signal	T	R				
ASCD CRUISE lamp signal	T		R			
ASCD OD cancel request signal	T	R				
Output shaft revolution signal	R	T				
Turbine revolution signal	R	T				
Front wiper request signal				T		R
Front wiper stop position signal				R		T
Rear window defogger switch signal				T		R
Rear window defogger control signal	R					T
Manual mode signal		R	T			
Not manual mode signal		R	T			
Manual mode shift up signal		R	T			
Manual mode shift down signal		R	T			
Manual mode indicator signal		T	R			
Hood switch signal				R		T
Theft warning horn request signal				T		R
Horn chirp signal				T		R
ABS warning lamp signal			R		T	
TCS OFF indicator lamp signal			R		T	
SLIP indicator lamp signal			R		T	
Brake warning lamp signal			R		T	



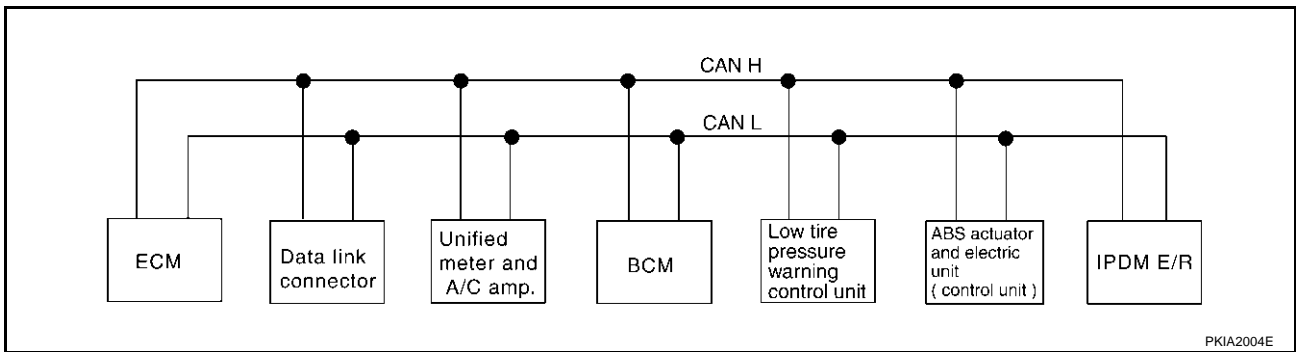
# ENGINE CONTROL SYSTEM

## Type 2 / Type 3 SYSTEM DIAGRAM

### ● Type 2



### ● Type 3



## INPUT/OUTPUT SIGNAL CHART

T: Transmit R: Receive

Signals	ECM	Unified meter and A/C amp.	BCM	Low tire pressure warning control unit	ABS actuator and electric unit (control unit)	IPDM E/R
Engine speed signal	T	R			R	
Engine coolant temperature signal	T	R				
Accelerator pedal position signal	T				R	
Fuel consumption monitor signal	T	R				
A/C switch signal	R		T			
A/C compressor request signal	T					R
A/C compressor feedback signal	T	R				
Blower fan motor switch signal	R		T			
Cooling fan speed request signal	T					R
Position lights request signal			R	T		R
Low beam request signal			T			R
Low beam status signal	R					T
High beam request signal		R	T			R
High beam status signal	R					T
Vehicle speed signal		R			T	
	R	T	R	R		
Sleep request 1 signal		R	T			
Sleep request 2 signal			T			R
Wake up request 1 signal		R	T			
Door switch signal		R	T			R

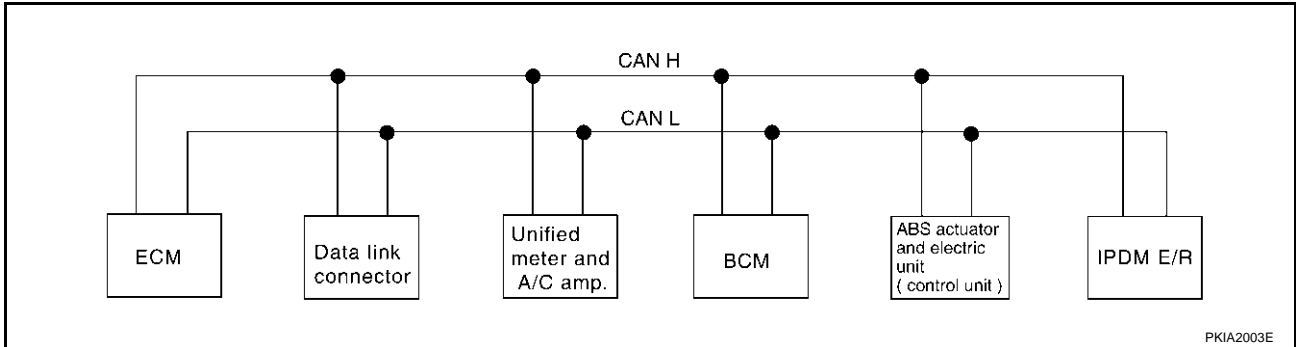
## ENGINE CONTROL SYSTEM

Signals	ECM	Unified meter and A/C amp.	BCM	Low tire pressure warning control unit	ABS actuator and electric unit (control unit)	IPDM E/R
Turn indicator signal		R	T			
Seat belt buckle switch signal		T	R			
Buzzer output signal		R	T			
Fuel level sensor signal	R	T				
Malfunction indicator lamp signal	T	R				
ASCD SET lamp signal	T	R				
ASCD CRUISE lamp signal	T	R				
Front wiper request signal			T			R
Front wiper stop position signal			R			T
Rear window defogger switch signal			T			R
Rear window defogger control signal	R					T
Hood switch signal			R			T
Theft warning horn request signal			T			R
Horn chirp signal			T			R
Tire pressure signal		R		T		
ABS warning lamp signal		R			T	
Brake warning lamp signal		R			T	

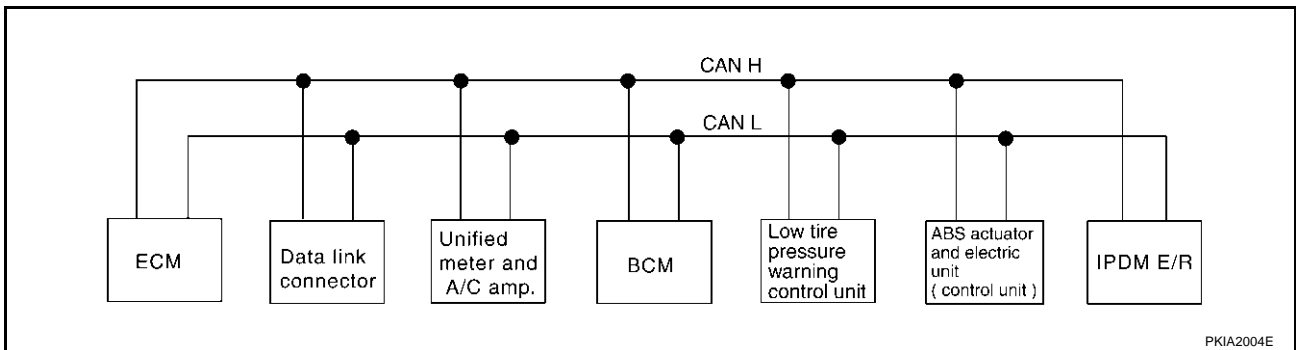
# ENGINE CONTROL SYSTEM

## Type 4 / Type 5 SYSTEM DIAGRAM

### ● Type 4



### ● Type 5



## INPUT/OUTPUT SIGNAL CHART

T: Transmit R: Receive

Signals	ECM	Unified meter and A/C amp.	BCM	Low tire pressure warning control unit	ABS actuator and electric unit (control unit)	IPDM E/R
Engine speed signal	T	R			R	
Engine torque signal	T				R	
Engine coolant temperature signal	T	R				
Accelerator pedal position signal	T				R	
Fuel consumption monitor signal	T	R				
A/C switch signal	R		T			
A/C compressor request signal	T					R
A/C compressor feedback signal	T	R				
Blower fan motor switch signal	R		T			
Cooling fan speed request signal	T					R
Position lights request signal		R	T			R
Low beam request signal			T			R
Low beam status signal	R					T
High beam request signal		R	T			R
High beam status signal	R					T
Vehicle speed signal		R			T	
	R	T	R	R		
Sleep request 1 signal		R	T			
Sleep request 2 signal			T			R
Wake up request 1 signal		R	T			

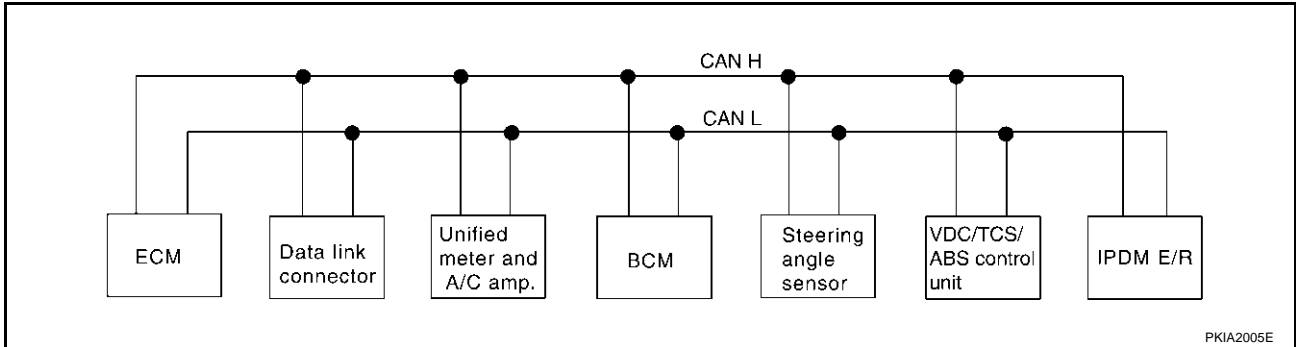
## ENGINE CONTROL SYSTEM

Signals	ECM	Unified meter and A/C amp.	BCM	Low tire pressure warning control unit	ABS actuator and electric unit (control unit)	IPDM E/R
Door switch signal		R	T			R
Turn indicator signal		R	T			
Seat belt buckle switch signal		T	R			
Buzzer output signal		R	T			
Fuel level sensor signal	R	T				
Malfunction indicator lamp signal	T	R				
ASCD SET lamp signal	T	R				
ASCD CRUISE lamp signal	T	R				
Front wiper request signal			T			R
Front wiper stop position signal			R			T
Rear window defogger switch signal			T			R
Rear window defogger control signal	R					T
Hood switch signal			R			T
Theft warning horn request signal			T			R
Horn chirp signal			T			R
Tire pressure signal		R		T		
ABS warning lamp signal		R			T	
TCS OFF indicator lamp signal		R			T	
SLIP indicator lamp signal		R			T	
Brake warning lamp signal		R			T	

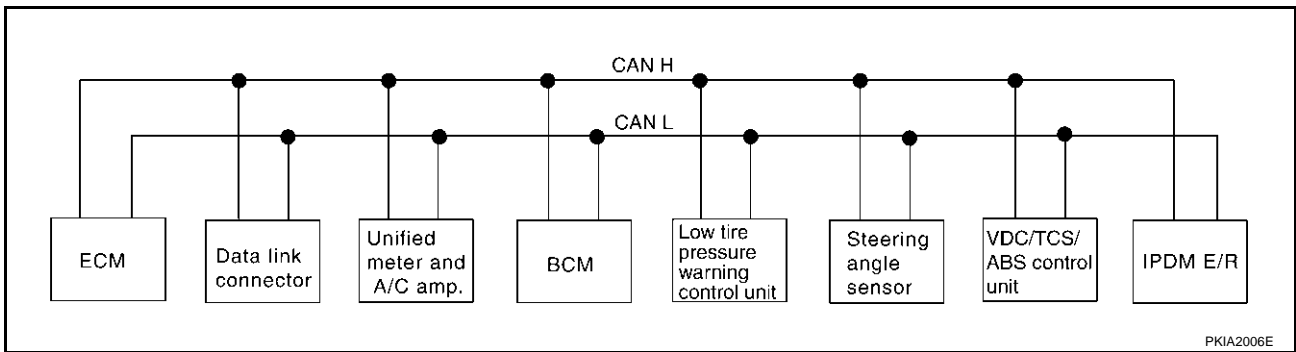
# ENGINE CONTROL SYSTEM

## Type 6 / Type 7 SYSTEM DIAGRAM

### ● Type 6



### ● Type 7



## INPUT/OUTPUT SIGNAL CHART

T: Transmit R: Receive

Signals	ECM	Unified meter and A/C amp.	BCM	Low tire pressure warning control unit	Steering angle sensor	VDC/TCS/ABS control unit	IPDM E/R
Engine speed signal	T	R				R	
Engine torque signal	T					R	
Engine coolant temperature signal	T	R					
Accelerator pedal position signal	T					R	
Fuel consumption monitor signal	T	R					
A/C switch signal	R		T				
A/C compressor request signal	T						R
A/C compressor feedback signal	T	R					
Blower fan motor switch signal	R		T				
Cooling fan speed request signal	T						R
Position lights request signal		R	T				R
Low beam request signal			T				R
Low beam status signal	R						T
High beam request signal		R	T				R
High beam status signal	R						T
Vehicle speed signal		R				T	
	R	T	R	R			
Sleep request 1 signal		R	T				
Sleep request 2 signal			T				R
Wake up request 1 signal		R	T				

# ENGINE CONTROL SYSTEM

Signals	ECM	Unified meter and A/C amp.	BCM	Low tire pressure warning control unit	Steering angle sensor	VDC/TCS/ABS control unit	IPDM E/R
Door switch signal		R	T				R
Turn indicator signal		R	T				
Seat belt buckle switch signal		T	R				
Buzzer output signal		R	T				
Fuel level sensor signal	R	T					
Malfunction indicator signal	T	R					
ASCD SET lamp signal	T	R					
ASCD CRUISE lamp signal	T	R					
Front wiper request signal			T				R
Front wiper stop position signal			R				T
Rear window defogger switch signal			T				R
Rear window defogger control signal	R						T
Hood switch signal			R				T
Theft warning horn request signal			T				R
Horn chirp signal			T				R
Steering angle sensor signal					T	R	
Tire pressure signal		R		T			
ABS warning lamp signal		R				T	
VDC OFF indicator lamp signal		R				T	
SLIP indicator lamp signal		R				T	
Brake warning lamp signal		R				T	

# BASIC SERVICE PROCEDURE

## BASIC SERVICE PROCEDURE

PFP:00018

### Idle Speed and Ignition Timing Check IDLE SPEED

ABS000RJ

#### Using CONSULT-II

Check idle speed in "DATA MONITOR" mode with CONSULT-II.

DATA MONITOR	
MONITOR	NO DTC
ENG SPEED	XXX rpm

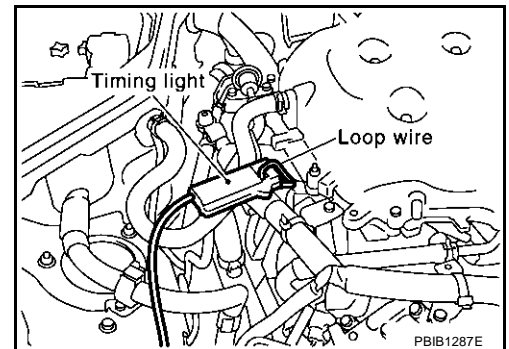
SEF058Y

### IGNITION TIMING

Any of following two methods may be used.

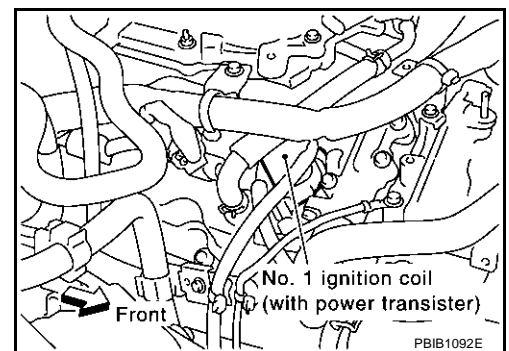
#### Method A

1. Attach timing light to loop wire as shown.
2. Check ignition timing.

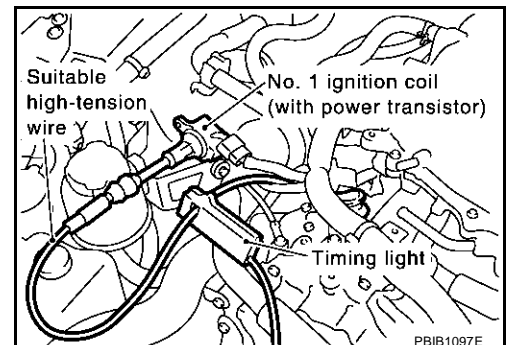


#### Method B

1. Remove No. 1 ignition coil.

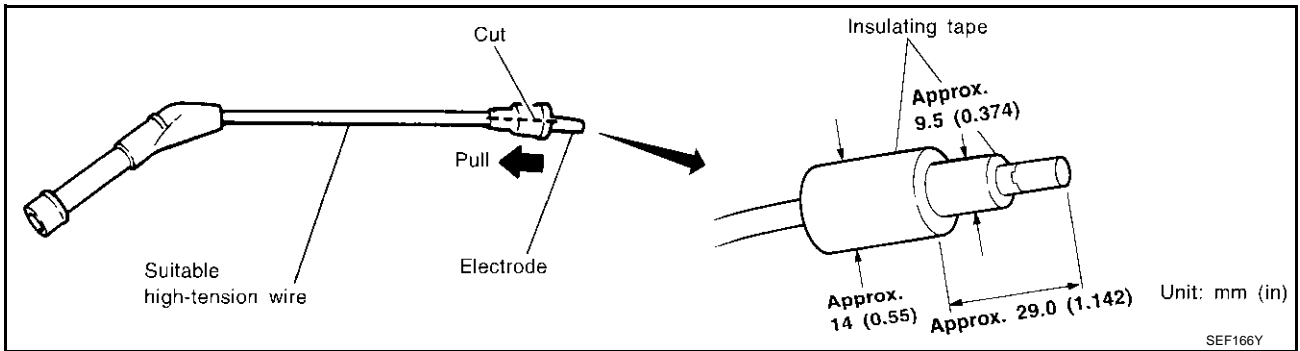


2. Connect No. 1 ignition coil and No. 1 spark plug with suitable high-tension wire as shown, and attach timing light clamp to this wire.

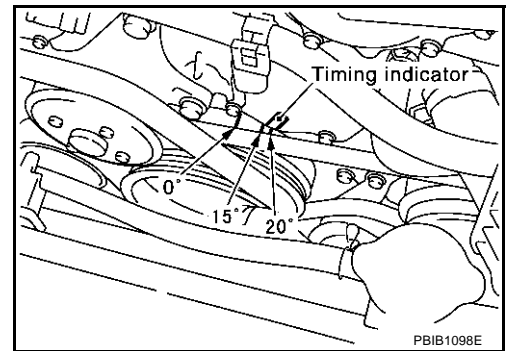


A  
EC  
C  
D  
E  
F  
G  
H  
I  
J  
K  
L  
M

# BASIC SERVICE PROCEDURE



3. Check ignition timing.



## Idle Speed/Ignition Timing/Idle Mixture Ratio Adjustment

ABS000RK

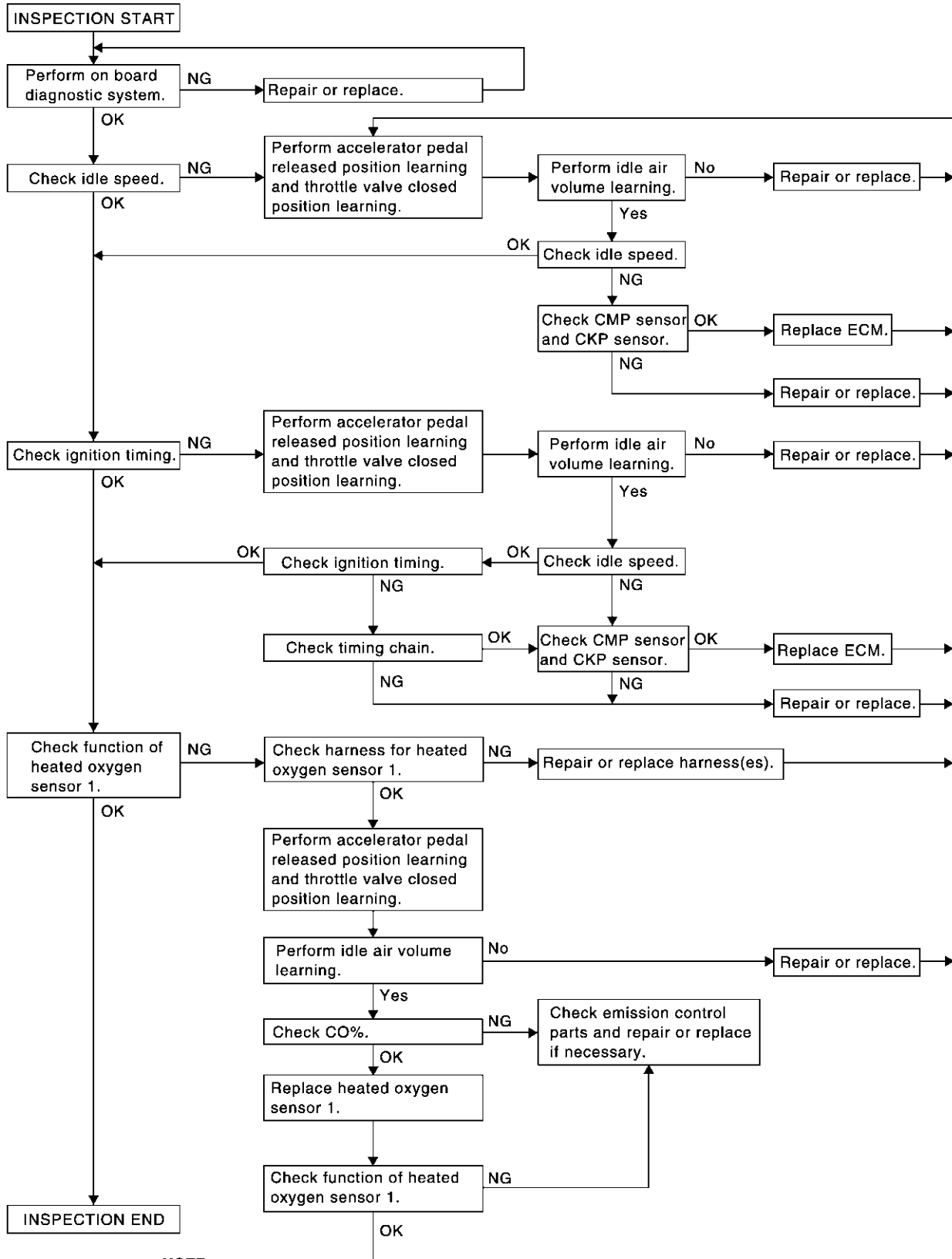
### PREPARATION

1. Make sure that the following parts are in good order.
  - Battery
  - Ignition system
  - Engine oil and coolant levels
  - Fuses
  - ECM harness connector
  - Vacuum hoses
  - Air intake system  
(Oil filler cap, oil level gauge, etc.)
  - Fuel pressure
  - Engine compression
  - Throttle valve
  - Evaporative emission system
2. On air conditioner equipped models, checks should be carried out while the air conditioner is "OFF".
3. On automatic transmission equipped models, when checking idle rpm, ignition timing and mixture ratio, checks should be carried out while shift lever is in "N" position.
4. When measuring "CO" percentage, insert probe more than 40 cm (15.7 in) into tail pipe.
5. Turn off headlamp, heater blower, rear window defogger.
6. Keep front wheels pointed straight ahead.



# BASIC SERVICE PROCEDURE

## OVERALL INSPECTION SEQUENCE



**NOTE:**

If a vehicle contains a part which is operating outside of design specifications with no MIL illumination, the part shall not be replaced prior to emission testing unless it is determined that the part has been tampered with or abused in such a way that the diagnostic system cannot reasonably be expected to detect the resulting malfunction.

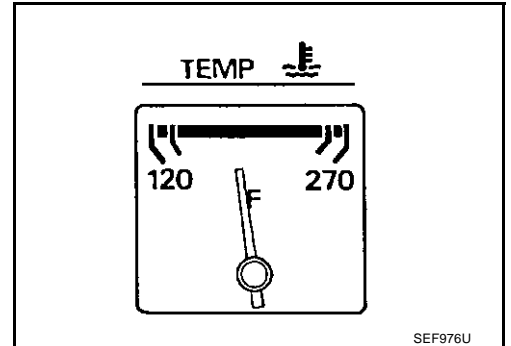
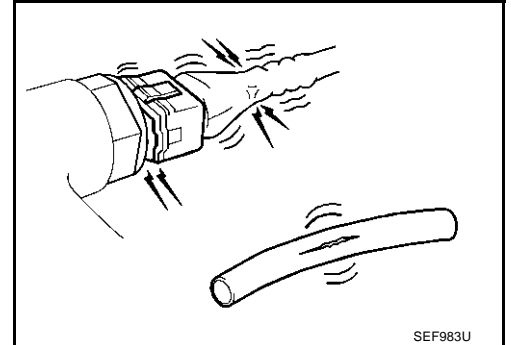
PBIB1054E

# BASIC SERVICE PROCEDURE

## INSPECTION PROCEDURE

### 1. INSPECTION START

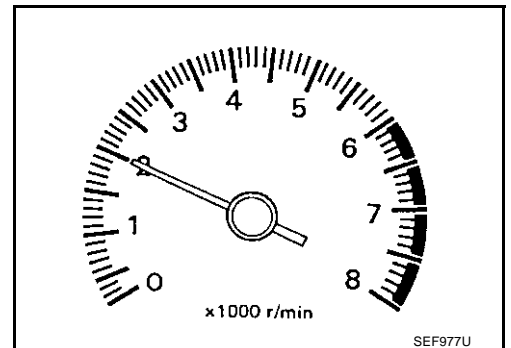
1. Check service records for any recent repairs that may indicate a related malfunction, or a current need for scheduled maintenance.
2. Open engine hood and check the following:
  - Harness connectors for improper connections
  - Wiring harness for improper connections, pinches and cut
  - Vacuum hoses for splits, kinks and improper connections
  - Hoses and ducts for leaks
  - Air cleaner clogging
  - Gasket
3. Confirm that electrical or mechanical loads are not applied.
  - Head lamp switch is OFF.
  - Air conditioner switch is OFF.
  - Rear window defogger switch is OFF.
  - Steering wheel is in the straight-ahead position, etc.
4. Start engine and warm it up until engine coolant temperature indicator points the middle of gauge.  
Ensure engine stays below 1,000 rpm.



5. Run engine at about 2,000 rpm for about 2 minutes under no-load.
6. Make sure that no DTC is displayed with CONSULT-II or GST.

#### OK or NG

- OK >> GO TO 3.  
NG >> GO TO 2.



### 2. REPAIR OR REPLACE

Repair or replace components as necessary according to corresponding "Diagnostic Procedure".

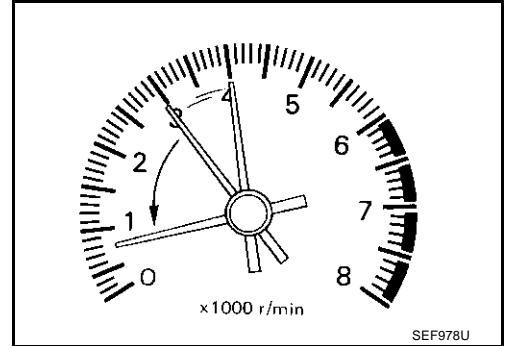
>> GO TO 3.

# BASIC SERVICE PROCEDURE

## 3. CHECK TARGET IDLE SPEED

### With CONSULT-II

1. Run engine at about 2,000 rpm for about 2 minutes under no-load.
2. Rev engine (2,000 to 3,000 rpm) two or three times under no-load, then run engine at idle speed for about 1 minute.



3. Read idle speed in "DATA MONITOR" mode with CONSULT-II.

**A/T: 650 ± 50 rpm (in "P" or "N" position)**

**M/T: 650 ± 50 rpm (in "N" position)**

DATA MONITOR	
MONITOR	NO DTC
ENG SPEED	XXX rpm

SEF058Y

### Without CONSULT-II

1. Run engine at about 2,000 rpm for about 2 minutes under no-load.
2. Rev engine (2,000 to 3,000 rpm) two or three times under no-load, then run engine at idle speed for about 1 minute.
3. Check idle speed.

**A/T: 650 ± 50 rpm (in "P" or "N" position)**

**M/T: 650 ± 50 rpm (in "N" position)**

### OK or NG

OK >> GO TO 10.

NG >> GO TO 4.

## 4. PERFORM ACCELERATOR PEDAL RELEASED POSITION LEARNING

1. Stop engine.
2. Perform [EC-50, "Accelerator Pedal Released Position Learning"](#).

>> GO TO 5.

## 5. PERFORM THROTTLE VALVE CLOSED POSITION LEARNING

Perform [EC-51, "Throttle Valve Closed Position Learning"](#).

>> GO TO 6.

# BASIC SERVICE PROCEDURE

---

## 6. PERFORM IDLE AIR VOLUME LEARNING

---

Perform [EC-51, "Idle Air Volume Learning"](#) .

Is Idle Air Volume Learning carried out successfully?

YES or NO

YES >> GO TO 7.

NO >> 1. Follow the instruction of "Idle Air Volume Learning".  
2. GO TO 4.

---

## 7. CHECK TARGET IDLE SPEED AGAIN

---

 **With CONSULT-II**

1. Start engine and warm it up to normal operating temperature.
2. Read idle speed in "DATA MONITOR" mode with CONSULT-II.

**A/T: 650 ± 50 rpm (in "P" or "N" position)**

**M/T: 650 ± 50 rpm (in "N" position)**

 **Without CONSULT-II**

1. Start engine and warm it up to normal operating temperature.
2. Check idle speed.

**A/T: 650 ± 50 rpm (in "P" or "N" position)**

**M/T: 650 ± 50 rpm (in "N" position)**

OK or NG

OK >> GO TO 10.

NG >> GO TO 8.

---

## 8. DETECT MALFUNCTIONING PART

---

Check the following.

- Check camshaft position sensor (PHASE) and circuit. Refer to [EC-310](#) .
- Check crankshaft position sensor (POS) and circuit. Refer to [EC-304](#) .

OK or NG

OK >> GO TO 9.

NG >> 1. Repair or replace.  
2. GO TO 4.

---

## 9. CHECK ECM FUNCTION

---

1. Substitute another known-good ECM to check ECM function. (ECM may be the cause of a incident, but this is the rarely the case.)
2. Perform initialization of NVIS (NATS) system and registration of NVIS (NATS) ignition key IDs. Refer to [BL-123, "ECM Re-communicating Function"](#) .

>> GO TO 4.

# BASIC SERVICE PROCEDURE

---

## 10. CHECK IGNITION TIMING

---

1. Run engine at idle.
2. Check ignition timing with a timing light.

**A/T: 15 ± 5° BTDC (in "P" or "N" position)**

**M/T: 15 ± 5° BTDC (in "N" position)**

OK or NG

OK (With CONSULT-II)>>GO TO 19.

OK (Without CONSULT-II)>>GO TO 20.

NG >> GO TO 11.

---

## 11. PERFORM ACCELERATOR PEDAL RELEASED POSITION LEARNING

---

1. Stop engine.
2. Perform [EC-50, "Accelerator Pedal Released Position Learning"](#) .

>> GO TO 12.

---

## 12. PERFORM THROTTLE VALVE CLOSED POSITION LEARNING

---

Perform [EC-51, "Throttle Valve Closed Position Learning"](#) .

>> GO TO 13.

---

## 13. PERFORM IDLE AIR VOLUME LEARNING

---

Perform [EC-51, "Idle Air Volume Learning"](#) .

**Is Idle Air Volume Learning carried out successfully?**

YES or NO

YES >> GO TO 14.

NO >> 1. Follow the instruction of "Idle Air Volume Learning".

2. GO TO 4.

---

## 14. CHECK TARGET IDLE SPEED AGAIN

---

 **With CONSULT-II**

1. Start engine and warm it up to normal operating temperature.
2. Read idle speed in "DATA MONITOR" mode with CONSULT-II.

**A/T: 650 ± 50 rpm (in "P" or "N" position)**

**M/T: 650 ± 50 rpm (in "N" position)**

 **Without CONSULT-II**

1. Start engine and warm it up to normal operating temperature.
2. Check idle speed.

**A/T: 650 ± 50 rpm (in "P" or "N" position)**

**M/T: 650 ± 50 rpm (in "N" position)**

OK or NG

OK >> GO TO 15.

NG >> GO TO 17.

# BASIC SERVICE PROCEDURE

## 15. CHECK IGNITION TIMING AGAIN

1. Run engine at idle.
2. Check ignition timing with a timing light.

**A/T: 15 ± 5° BTDC (in "P" or "N" position)**

**M/T: 15 ± 5° BTDC (in "N" position)**

OK or NG

OK (With CONSULT-II)>>GO TO 19.

OK (Without CONSULT-II)>>GO TO 20.

NG >> GO TO 16.

## 16. CHECK TIMING CHAIN INSTALLATION

Check timing chain installation. Refer to [EM-49, "TIMING CHAIN"](#) .

OK or NG

OK >> GO TO 17.

NG >> 1. Repair the timing chain installation.  
2. GO TO 4.

## 17. DETECT MALFUNCTIONING PART

Check the following.

- Check camshaft position sensor (PHASE) and circuit. Refer to [EC-310](#) .
- Check crankshaft position sensor (POS) and circuit. Refer to [EC-304](#) .

OK or NG

OK >> GO TO 18.

NG >> 1. Repair or replace.  
2. GO TO 4.

## 18. CHECK ECM FUNCTION

1. Substitute another known-good ECM to check ECM function. (ECM may be the cause of a incident, but this is the rarely the case.)
2. Perform initialization of NVIS (NATS) system and registration of NVIS (NATS) ignition key IDs. Refer to [BL-123, "ECM Re-communicating Function"](#) .

>> GO TO 4.

## 19. CHECK HEATED OXYGEN SENSOR 1 (BANK 1) SIGNAL

Ⓜ With CONSULT-II

1. Run engine at about 2,000 rpm for about 2 minutes under no-load.
2. See "HO2S1 MNTR (B1)" in "DATA MONITOR" mode.
3. Running engine at 2,000 rpm under no-load (The engine is warmed up to normal operating temperature.), check that the monitor fluctuates between LEAN and RICH more than 5 times during 10 seconds.

**1 time: RICH → LEAN → RICH**

**2 times: RICH → LEAN → RICH → LEAN → RICH**

OK or NG

OK >> GO TO 21.

NG (Monitor does not fluctuate.)>>GO TO 23.

NG (Monitor fluctuates less than 5 times.)>>GO TO 31.

DATA MONITOR	
MONITOR	NO DTC
ENG SPEED	XXX rpm
HO2S1 MNTR (B1)	LEAN
HO2S1 MNTR (B2)	RICH

PBIB0120E

# BASIC SERVICE PROCEDURE

## 20. CHECK HEATED OXYGEN SENSOR 1 (BANK 1) SIGNAL

### ⊗ Without CONSULT-II

1. Stop engine and set ECM to Self-diagnostic mode II (Heated oxygen sensor 1 monitor). Refer to [EC-72, "HOW TO SWITCH DIAGNOSTIC TEST MODE"](#).
2. Start engine and run it at about 2,000 rpm for about 2 minutes under no-load.
3. Running engine at 2,000 rpm under no-load (The engine is warmed up to normal operating temperature.), check that the MIL comes on more than 5 times during 10 seconds.

#### OK or NG

OK >> GO TO 22.

NG (MIL does not come on)>>GO TO 23.

NG (MIL comes on less than 5 times)>>GO TO 31.

## 21. CHECK HEATED OXYGEN SENSOR 1 (BANK 2) SIGNAL

### Ⓟ With CONSULT-II

1. See "HO2S1 MNTR (B2)" in "DATA MONITOR" mode.
2. Running engine at 2,000 rpm under no-load (The engine is warmed up to normal operating temperature.), check that the monitor fluctuates between LEAN and RICH more than 5 times during 10 seconds.

**1 time: RICH → LEAN → RICH**

**2 times: RICH → LEAN → RICH → LEAN → RICH**

#### OK or NG

OK >> **INSPECTION END**

NG (Monitor does not fluctuate.)>>GO TO 24.

NG (Monitor fluctuates less than 5 times.)>>GO TO 31.

DATA MONITOR	
MONITOR	NO DTC
ENG SPEED	XXX rpm
HO2S1 MNTR (B1)	LEAN
HO2S1 MNTR (B2)	RICH

PBIB0120E

## 22. CHECK HEATED OXYGEN SENSOR 1 (BANK 2) SIGNAL

### ⊗ Without CONSULT-II

1. Switch the monitored sensor from bank 1 to bank 2. Refer to [EC-73, "How to Switch Monitored Sensor From Bank 1 to Bank 2 or Vice Versa"](#).
2. Running engine at 2,000 rpm under no-load (The engine is warmed up to normal operating temperature.), check that the MIL comes on more than 5 times during 10 seconds.

#### OK or NG

OK >> **INSPECTION END**

NG (MIL does not come on)>>GO TO 24.

NG (MIL comes on less than 5 times)>>GO TO 31.

## 23. CHECK HEATED OXYGEN SENSOR 1 (BANK 1) HARNESS

1. Turn ignition switch "OFF" and disconnect battery ground cable.
2. Disconnect ECM harness connector.
3. Disconnect heated oxygen sensor 1 (bank 1) harness connector.
4. Check harness continuity between ECM terminal 35 and heated oxygen sensor 1 (bank 1) terminal 1. Refer to Wiring Diagram, [EC-209, "BANK 1"](#).

**Continuity should exist.**

5. Also check harness for short to ground and short to power.

#### OK or NG

OK >> GO TO 25.

NG >> 1. Repair or replace harness between ECM and heated oxygen sensor 1 (bank 1).

2. GO TO 4.

# BASIC SERVICE PROCEDURE

## 24. CHECK HEATED OXYGEN SENSOR 1 (BANK 2) HARNESS

1. Turn ignition switch "OFF" and disconnect battery ground cable.
2. Disconnect ECM harness connector.
3. Disconnect heated oxygen sensor 1 (bank 2) harness connector.
4. Check harness continuity between ECM terminal 16 and heated oxygen sensor 1 (bank 2) terminal 1. Refer to Wiring Diagram, [EC-211, "BANK 2"](#) .

**Continuity should exist.**

5. Also check harness for short to ground and short to power.

OK or NG

OK >> GO TO 25.

NG >> 1. Repair or replace harness between ECM and heated oxygen sensor 1 (bank 2).  
2. GO TO 4.

## 25. PERFORM ACCELERATOR PEDAL RELEASED POSITION LEARNING

1. Reconnect ECM harness connector.
2. Perform [EC-50, "Accelerator Pedal Released Position Learning"](#) .

>> GO TO 26.

## 26. PERFORM THROTTLE VALVE CLOSED POSITION LEARNING

Perform [EC-51, "Throttle Valve Closed Position Learning"](#) .

>> GO TO 27.

## 27. PERFORM IDLE AIR VOLUME LEARNING

Refer to [EC-51, "Idle Air Volume Learning"](#) .

**Is Idle Air Volume Learning carried out successfully?**

YES or NO

YES (With CONSULT-II)>>GO TO 28.

YES (Without CONSULT-II)>>GO TO 29.

NO >> 1. Follow the instruction of "Idle Air Volume Learning".  
2. GO TO 4.

## 28. CHECK "CO"%

Ⓜ **With CONSULT-II**

1. Start engine and warm it up until engine coolant temperature indicator points the middle of gauge.
2. Turn ignition switch "OFF", wait at least 10 seconds and then turn "ON".
3. Select "ENG COOLANT TEMP" in "ACTIVE TEST" mode.
4. Set "ENG COOLANT TEMP" to 5°C (41°F) by touching "DWN" and "Qd".
5. Start engine and rev it (2,000 to 3,000 rpm) two or three times under no-load, then run engine at idle speed.
6. Check "CO"%.

**Idle CO: 0.7 – 9.9% and engine runs smoothly.**

OK or NG

OK >> GO TO 31.

NG >> GO TO 30.

ACTIVE TEST	
ENG COOLANTTEMP	XXX °C
MONITOR	
ENG SPEED	XXX rpm
INJ PULSE-B1	XXX msec
IGN TIMING	XXX BTDC

SEF172Y



# BASIC SERVICE PROCEDURE

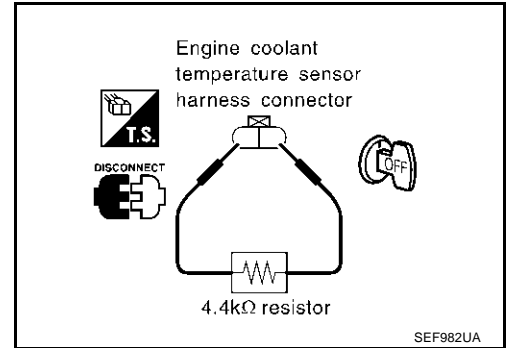
## 29. CHECK "CO"%

### ⊗ Without CONSULT-II

1. Start engine and warm it up until engine coolant temperature indicator points to the middle of gauge.
2. Turn ignition switch "OFF".
3. Disconnect engine coolant temperature sensor harness connector.
4. Connect a resistor (4.4 kΩ) between terminals of engine coolant temperature sensor harness connector.
5. Start engine and rev it (2,000 to 3,000 rpm) two or three times under no-load, then run engine at idle speed.
6. Check "CO"%.

**Idle CO: 0.7 – 9.9% and engine runs smoothly.**

7. After checking "CO"%, turn ignition switch "OFF", disconnect the resistor from the terminals of engine coolant temperature sensor harness connector, and then connect engine coolant temperature sensor harness connector to engine coolant temperature sensor.



### OK or NG

- OK >> GO TO 31.
- NG >> GO TO 30.

## 30. RECONNECT HEATED OXYGEN SENSOR 1 HARNESS CONNECTOR

1. Turn ignition switch "OFF".
2. Reconnect heated oxygen sensor 1 harness connector.

>> GO TO 34.

## 31. REPLACE HEATED OXYGEN SENSOR 1

1. Stop engine.
2. Replace heated oxygen sensor 1 on the malfunctioning bank.

With CONSULT-II>>GO TO 32.  
Without CONSULT-II>>GO TO 33.

## 32. CHECK HEATED OXYGEN SENSOR 1 (BANK 1)/(BANK 2) SIGNAL

### Ⓟ With CONSULT-II

1. Start engine and warm it up until engine coolant temperature indicator points the middle of gauge.
2. See "HO2S1 MNTR (B1)/(B2)" in "DATA MONITOR" mode.
3. Running engine at 2,000 rpm under no-load (The engine is warmed up to normal operating temperature.), check that the monitor fluctuates between LEAN and RICH more than 5 times during 10 seconds.

**1 time: RICH → LEAN → RICH**

**2 times: RICH → LEAN → RICH → LEAN → RICH**

### OK or NG

- OK >> GO TO 4.
- NG >> GO TO 34.

## BASIC SERVICE PROCEDURE

### 33. CHECK HEATED OXYGEN SENSOR 1 (BANK 1)/(BANK 2) SIGNAL

#### ⊗ Without CONSULT-II

1. Set ECM to Self-diagnostic mode II (Heated oxygen sensor 1 monitor). Refer to [EC-72, "HOW TO SWITCH DIAGNOSTIC TEST MODE"](#) .
2. Switch the monitored sensor to the malfunctioning bank. Refer to [EC-73, "How to Switch Monitored Sensor From Bank 1 to Bank 2 or Vice Versa"](#) .
3. Running engine at 2,000 rpm under no-load (The engine is warmed up to normal operating temperature.), check that the MIL comes on more than 5 times during 10 seconds.

#### OK or NG

- OK >> GO TO 4.  
NG >> GO TO 34.

### 34. DETECT MALFUNCTIONING PART

Check the following.

- Check fuel pressure regulator and repair or replace if necessary. Refer to [EC-53, "Fuel Pressure Check"](#) .
- Check mass air flow sensor and its circuit, and repair or replace if necessary. Refer to [EC-167](#) and [EC-175](#) .
- Check injector and its circuit, and repair or replace if necessary. Refer to [EC-593](#) .
- Check engine coolant temperature sensor and its circuit, and repair or replace if necessary. Refer to [EC-187](#) and [EC-199](#) .

#### OK or NG

- OK >> GO TO 36.  
NG >> 1. Repair or replace.  
2. GO TO 35.

### 35. ERASE UNNECESSARY DTC

After this inspection, unnecessary DTC might be displayed.

Erase the stored memory in ECM and TCM. Refer to [EC-69, "HOW TO ERASE EMISSION-RELATED DIAGNOSTIC INFORMATION"](#) and [AT-37, "HOW TO ERASE DTC"](#) .

>> GO TO 4.

### 36. CHECK ECM FUNCTION

1. Substitute another known-good ECM to check ECM function. (ECM may be the cause of a incident, but this is the rarely the case.)
2. Perform initialization of NVIS (NATS) system and registration of NVIS (NATS) ignition key IDs. Refer to [BL-123, "ECM Re-communicating Function"](#) .

>> GO TO 4.

### Accelerator Pedal Released Position Learning DESCRIPTION

ABS000RL

"Accelerator Pedal Released Position Learning" is an operation to learn the fully released position of the accelerator pedal by monitoring the accelerator pedal position sensor output signal. It must be performed each time harness connector of accelerator pedal position sensor or ECM is disconnected.

#### OPERATION PROCEDURE

1. Make sure that accelerator pedal is fully released.
2. Turn ignition switch "ON" and wait at least 2 seconds.
3. Turn ignition switch "OFF" wait at least 10 seconds.
4. Turn ignition switch "ON" and wait at least 2 seconds.
5. Turn ignition switch "OFF" wait at least 10 seconds.

# BASIC SERVICE PROCEDURE

## Throttle Valve Closed Position Learning

ABS000RM

### DESCRIPTION

“Throttle Valve Closed Position Learning” is an operation to learn the fully closed position of the throttle valve by monitoring the throttle position sensor output signal. It must be performed each time harness connector of electric throttle control actuator or ECM is disconnected.

### OPERATION PROCEDURE

1. Make sure that accelerator pedal is fully released.
2. Turn ignition switch “ON”.
3. Turn ignition switch “OFF” wait at least 10 seconds.  
Make sure that throttle valve moves during above 10 seconds by confirming the operating sound.

## Idle Air Volume Learning

ABS000RM

### DESCRIPTION

“Idle Air Volume Learning” is an operation to learn the idle air volume that keeps each engine within the specific range. It must be performed under any of the following conditions:

- Each time electric throttle control actuator or ECM is replaced.
- Idle speed or ignition timing is out of specification.

### PREPARATION

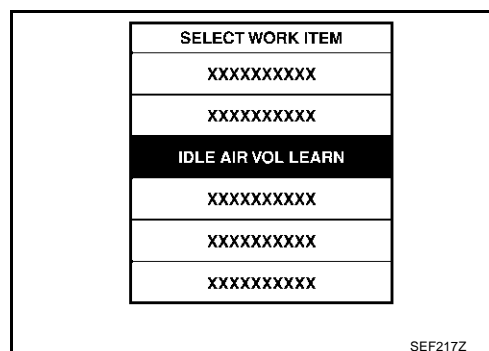
Before performing “Idle Air Volume Learning”, make sure that all of the following conditions are satisfied. Learning will be cancelled if any of the following conditions are missed for even a moment.

- Battery voltage: More than 12.9V (At idle)
- Engine coolant temperature: 70 - 100°C (158 - 212°F)
- PNP switch: ON
- Electric load switch: OFF  
(Air conditioner, headlamp, rear window defogger)  
**On vehicles equipped with daytime light systems, set lighting switch to the 1st position to light only small lamps.**
- Steering wheel: Neutral (Straight-ahead position)
- Vehicle speed: Stopped
- Transmission: Warmed-up  
For models with CONSULT-II, drive vehicle until “FLUID TEMP SE” in “DATA MONITOR” mode of “A/T” system indicates less than 0.9V.  
For models without CONSULT-II, drive vehicle for 10 minutes.

### OPERATION PROCEDURE

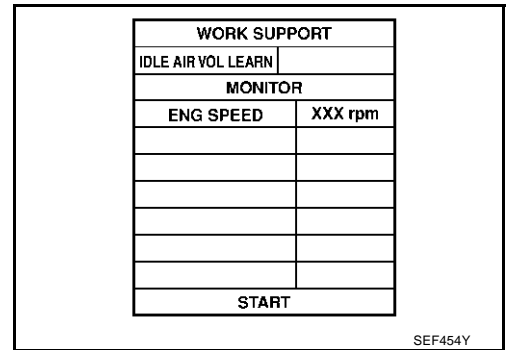
#### Ⓟ With CONSULT-II

1. Perform [EC-50, "Accelerator Pedal Released Position Learning"](#) .
2. Perform [EC-51, "Throttle Valve Closed Position Learning"](#) .
3. Start engine and warm it up to normal operating temperature.
4. Check that all items listed under the topic “PREPARATION” (previously mentioned) are in good order.
5. Select “IDLE AIR VOL LEARN” in “WORK SUPPORT” mode.



# BASIC SERVICE PROCEDURE

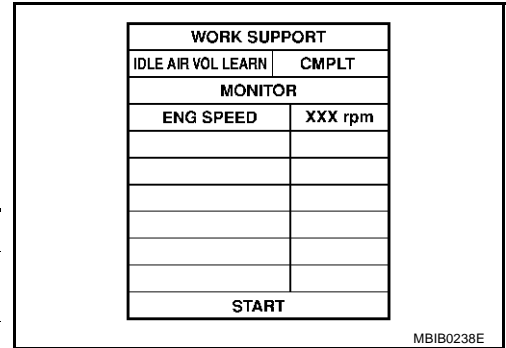
6. Touch "START" and wait 20 seconds.



7. Make sure that "CMPLT" is displayed on CONSULT-II screen. If "CMPLT" is not displayed, "Idle Air Volume Learning" will not be carried out successfully. In this case, find the cause of the incident by referring to the "Diagnostic Procedure" below.

8. Rev up the engine two or three times and make sure that idle speed and ignition timing are within the specifications.

ITEM	SPECIFICATION
Idle speed	A/T: 650±50 rpm (in "P" or "N" position) M/T: 650±50 rpm (in "N" position)
Ignition timing	A/T: 15±5° BTDC (in "P" or "N" position) M/T: 15±5° BTDC (in "N" position)

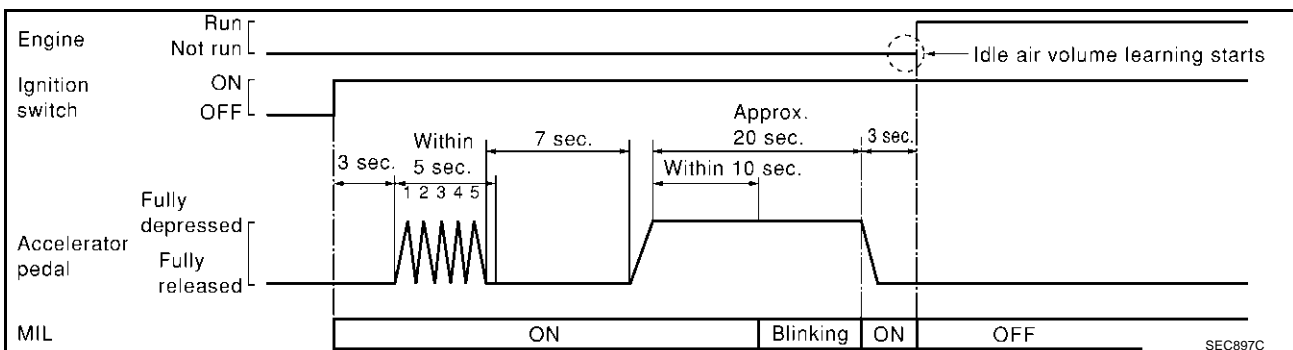


## ⊗ Without CONSULT-II

### NOTE:

- It is better to count the time accurately with a clock.
- It is impossible to switch the diagnostic mode when an accelerator pedal position sensor circuit has a malfunction.

1. Perform [EC-50, "Accelerator Pedal Released Position Learning"](#) .
2. Perform [EC-51, "Throttle Valve Closed Position Learning"](#) .
3. Start engine and warm it up to normal operating temperature.
4. Check that all items listed under the topic "PREPARATION" (previously mentioned) are in good order.
5. Turn ignition switch "OFF" and wait at least 10 seconds.
6. Confirm that accelerator pedal is fully released, turn ignition switch "ON" and wait 3 seconds.
7. Repeat the following procedure quickly five times within 5 seconds.
  - a. Fully depress the accelerator pedal.
  - b. Fully release the accelerator pedal.
8. Wait 7 seconds, fully depress the accelerator pedal and keep it for approx. 20 seconds until the MIL stops blinking and turned ON.
9. Fully release the accelerator pedal within 3 seconds after the MIL turned ON.
10. Start engine and let it idle.
11. Wait 20 seconds.



# BASIC SERVICE PROCEDURE

12. Rev up the engine two or three times and make sure that idle speed and ignition timing are within the specifications.

ITEM	SPECIFICATION
Idle speed	A/T: 650±50 rpm (in "P" or "N" position) M/T: 650±50 rpm (in "N" position)
Ignition timing	A/T: 15±5° BTDC (in "P" or "N" position) M/T: 15±5° BTDC (in "N" position)

13. If idle speed and ignition timing are not within the specification, "Idle Air Volume Learning" will not be carried out successfully. In this case, find the cause of the incident by referring to the "DIAGNOSTIC PROCEDURE" below.

## DIAGNOSTIC PROCEDURE

If idle air volume learning cannot be performed successfully, proceed as follows:

1. Check that throttle valve is fully closed.
2. Check PCV valve operation.
3. Check that downstream of throttle valve is free from air leakage.
4. When the above three items check out OK, engine component parts and their installation condition are questionable. Check and eliminate the cause of the incident. It is useful to perform [EC-133, "TROUBLE DIAGNOSIS - SPECIFICATION VALUE"](#).
5. If any of the following conditions occur after the engine has started, eliminate the cause of the incident and perform "Idle air volume learning" all over again:
  - Engine stalls.
  - Erroneous idle.

## Fuel Pressure Check FUEL PRESSURE RELEASE

ABS000RO

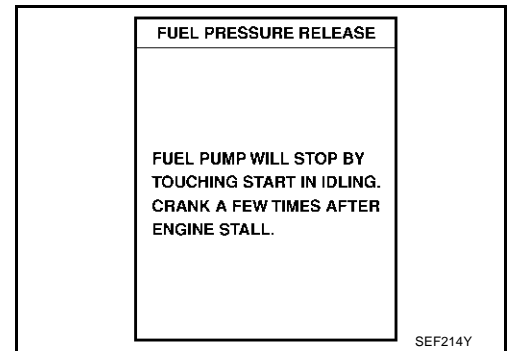
Before disconnecting fuel line, release fuel pressure from fuel line to eliminate danger.

### NOTE:

Prepare pans or saucers under the disconnected fuel line because the fuel may spill out. The fuel pressure cannot be completely released because Z33 models do not have fuel return system.

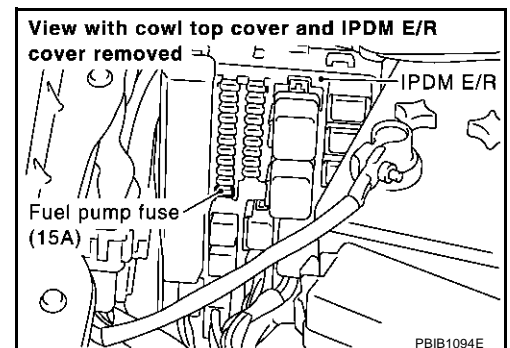
### With CONSULT-II

1. Turn ignition switch "ON".
2. Perform "FUEL PRESSURE RELEASE" in "WORK SUPPORT" mode with CONSULT-II.
3. Start engine.
4. After engine stalls, crank it two or three times to release all fuel pressure.
5. Turn ignition switch "OFF".



### Without CONSULT-II

1. Remove fuel pump fuse located in IPDM E/R.
2. Start engine.
3. After engine stalls, crank it two or three times to release all fuel pressure.
4. Turn ignition switch "OFF".
5. Reinstall fuel pump fuse after servicing fuel system.



# BASIC SERVICE PROCEDURE

## FUEL PRESSURE CHECK

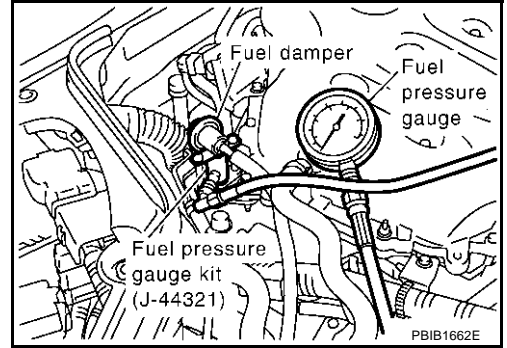
### NOTE:

Use Fuel Pressure Gauge Kit (J-44321) to check fuel pressure.

1. Release fuel pressure to zero. Refer to [EC-53, "FUEL PRESSURE RELEASE"](#).
2. Install the inline fuel quick disconnected fitting between fuel damper and injector tube.
3. Connect the fuel pressure test gauge (quick connector adapter hose) to the inline fuel quick disconnected fitting.
4. Turn ignition switch ON and check for fuel leakage.
5. Start engine and check for fuel leakage.
6. Read the indication of fuel pressure gauge.

**At idling: Approximately 350 kPa (3.57 kg/cm<sup>2</sup> , 51 psi)**

7. If result is unsatisfactory, go to next step.
8. Check the following.
  - Fuel hoses and fuel tubes for clogging
  - Fuel filter for clogging
  - Fuel pump
  - Fuel pressure regulator for cloggingIf OK, replace fuel pressure regulator.  
If NG, repair or replace.



# ON BOARD DIAGNOSTIC (OBD) SYSTEM

## ON BOARD DIAGNOSTIC (OBD) SYSTEM

PPF:00028

### Introduction

ABS000RP

The ECM has an on board diagnostic system, which detects malfunctions related to engine sensors or actuators. The ECM also records various emission-related diagnostic information including:

Emission-related diagnostic information	SAE Mode
Diagnostic Trouble Code (DTC)	Mode 3 of SAE J1979
Freeze Frame data	Mode 2 of SAE J1979
System Readiness Test (SRT) code	Mode 1 of SAE J1979
1st Trip Diagnostic Trouble Code (1st Trip DTC)	Mode 7 of SAE J1979
1st Trip Freeze Frame data	
Test values and Test limits	Mode 6 of SAE J1979
Calibration ID	Mode 9 of SAE J1979

The above information can be checked using procedures listed in the table below.

×: Applicable —: Not applicable

	DTC	1st trip DTC	Freeze Frame data	1st trip Freeze Frame data	SRT code	Test value
CONSULT-II	×	×	×	×	×	—
GST	×	×*1	×	—	×	×
ECM	×	×*2	—	—	—	—

\*1: 1st trip DTCs for self-diagnoses concerning SRT items cannot be shown on the GST display.

\*2: When DTC and 1st trip DTC simultaneously appear on the display, they cannot be clearly distinguished from each other.

The malfunction indicator lamp (MIL) on the instrument panel lights up when the same malfunction is detected in two consecutive trips (Two trip detection logic), or when the ECM enters fail-safe mode. (Refer to [EC-85](#).)

### Two Trip Detection Logic

ABS000RQ

When a malfunction is detected for the first time, 1st trip DTC and 1st trip Freeze Frame data are stored in the ECM memory. The MIL will not light up at this stage. <1st trip>

If the same malfunction is detected again during the next drive, the DTC and Freeze Frame data are stored in the ECM memory, and the MIL lights up. The MIL lights up at the same time when the DTC is stored. <2nd trip> The “trip” in the “Two Trip Detection Logic” means a driving mode in which self-diagnosis is performed during vehicle operation. Specific on board diagnostic items will cause the ECM to light up or blink the MIL, and store DTC and Freeze Frame data, even in the 1st trip, as shown below.

×: Applicable —: Not applicable

Items	MIL				DTC		1st trip DTC	
	1st trip		2nd trip		1st trip displaying	2nd trip displaying	1st trip displaying	2nd trip displaying
	Blinking	Lighting up	Blinking	Lighting up				
Misfire (Possible three way catalyst damage) — DTC: P0300 - P0306 is being detected	×	—	—	—	—	—	×	—
Misfire (Possible three way catalyst damage) — DTC: P0300 - P0306 is being detected	—	—	×	—	—	×	—	—
One trip detection diagnoses (Refer to <a href="#">EC-8</a> .)	—	×	—	—	×	—	—	—
Except above	—	—	—	×	—	×	×	—

When there is an open circuit on MIL circuit, the ECM cannot warn the driver by lighting MIL up when there is malfunction on engine control system.

Therefore, when electrical controlled throttle and part of ECM related diagnoses are continuously detected as NG for 5 trips, ECM warns the driver that engine control system malfunctions and MIL circuit is open by means of operating fail-safe function.

# ON BOARD DIAGNOSTIC (OBD) SYSTEM

The fail-safe function also operates when above diagnoses except MIL circuit are detected and demands the driver to repair the malfunction.

Engine operating condition in fail-safe mode

Engine speed will not rise more than 2,500 rpm due to the fuel cut

## Emission-related Diagnostic Information EMISSION-RELATED DIAGNOSTIC INFORMATION ITEMS

ABS000RR

Items (CONSULT-II screen terms)	DTC*1		SRT code	Test value/ Test limit (GST only)	1st trip DTC	Reference page
	CONSULT-II GST*2	ECM*3				
CAN COMM CIRCUIT	U1000	1000*6	—	—	—	<a href="#">EC-145</a>
CAN COMM CIRCUIT	U1001	1001*6	—	—	×	<a href="#">EC-145</a>
<b>NO DTC IS DETECTED. FURTHER TESTING MAY BE REQUIRED.</b>	<b>P0000</b>	<b>0000</b>	—	—	—	—
INT/V TIM CONT-B1	P0011	0011	—	—	×	<a href="#">EC-148</a>
INT/V TIM CONT-B2	P0021	0021	—	—	×	<a href="#">EC-148</a>
HO2S1 HTR (B1)	P0031	0031	×	×	×*5	<a href="#">EC-151</a>
HO2S1 HTR (B1)	P0032	0032	×	×	×*5	<a href="#">EC-151</a>
HO2S2 HTR (B1)	P0037	0037	×	×	×*5	<a href="#">EC-159</a>
HO2S2 HTR (B1)	P0038	0038	×	×	×*5	<a href="#">EC-159</a>
HO2S1 HTR (B2)	P0051	0051	×	×	×*5	<a href="#">EC-151</a>
HO2S1 HTR (B2)	P0052	0052	×	×	×*5	<a href="#">EC-151</a>
HO2S2 HTR (B2)	P0057	0057	×	×	×*5	<a href="#">EC-159</a>
HO2S2 HTR (B2)	P0058	0058	×	×	×*5	<a href="#">EC-159</a>
MAF SEN/CIRCUIT	P0101	0101	—	—	—	<a href="#">EC-167</a>
MAF SEN/CIRCUIT	P0102	0102	—	—	—	<a href="#">EC-175</a>
MAF SEN/CIRCUIT	P0103	0103	—	—	—	<a href="#">EC-175</a>
IAT SEN/CIRCUIT	P0112	0112	—	—	×	<a href="#">EC-182</a>
IAT SEN/CIRCUIT	P0113	0113	—	—	×	<a href="#">EC-182</a>
ECT SEN/CIRCUIT	P0117	0117	—	—	—	<a href="#">EC-187</a>
ECT SEN/CIRCUIT	P0118	0118	—	—	—	<a href="#">EC-187</a>
TP SEN 2/CIRC	P0122	0122	—	—	—	<a href="#">EC-192</a>
TP SEN 2/CIRC	P0123	0123	—	—	—	<a href="#">EC-192</a>
ECT SENSOR	P0125	0125	—	—	—	<a href="#">EC-199</a>
IAT SENSOR	P0127	0127	—	—	×	<a href="#">EC-202</a>
THERMSTAT FNCTN	P0128	0128	—	—	×	<a href="#">EC-205</a>
HO2S1 (B1)	P0132	0132	×	×	×*5	<a href="#">EC-207</a>
HO2S1 (B1)	P0133	0133	×	×	×*5	<a href="#">EC-217</a>
HO2S1 (B1)	P0134	0134	×	×	×*5	<a href="#">EC-230</a>
HO2S2 (B1)	P0138	0138	×	×	×*5	<a href="#">EC-240</a>
HO2S2 (B1)	P0139	0139	×	×	×*5	<a href="#">EC-249</a>
HO2S1 (B2)	P0152	0152	×	×	×*5	<a href="#">EC-207</a>
HO2S1 (B2)	P0153	0153	×	×	×*5	<a href="#">EC-217</a>
HO2S1 (B2)	P0154	0154	×	×	×*5	<a href="#">EC-230</a>



# ON BOARD DIAGNOSTIC (OBD) SYSTEM

Items (CONSULT-II screen terms)	DTC*1		SRT code	Test value/ Test limit (GST only)	1st trip DTC	Reference page
	CONSULT-II GST*2	ECM*3				
HO2S2 (B2)	P0158	0158	×	×	×*5	<a href="#">EC-240</a>
HO2S2 (B2)	P0159	0159	×	×	×*5	<a href="#">EC-249</a>
FUEL SYS-LEAN-B1	P0171	0171	—	—	×	<a href="#">EC-260</a>
FUEL SYS-RICH-B1	P0172	0172	—	—	×	<a href="#">EC-269</a>
FUEL SYS-LEAN-B2	P0174	0174	—	—	×	<a href="#">EC-260</a>
FUEL SYS-RICH-B2	P0175	0175	—	—	×	<a href="#">EC-269</a>
FTT SENSOR	P0181	0181	—	—	×	<a href="#">EC-277</a>
FTT SEN/CIRCUIT	P0182	0182	—	—	×	<a href="#">EC-282</a>
FTT SEN/CIRCUIT	P0183	0183	—	—	×	<a href="#">EC-282</a>
TP SEN 1/CIRC	P0222	0222	—	—	—	<a href="#">EC-286</a>
TP SEN 1/CIRC	P0223	0223	—	—	—	<a href="#">EC-286</a>
MULTI CYL MISFIRE	P0300	0300	—	—	×	<a href="#">EC-293</a>
CYL 1 MISFIRE	P0301	0301	—	—	×	<a href="#">EC-293</a>
CYL 2 MISFIRE	P0302	0302	—	—	×	<a href="#">EC-293</a>
CYL 3 MISFIRE	P0303	0303	—	—	×	<a href="#">EC-293</a>
CYL 4 MISFIRE	P0304	0304	—	—	×	<a href="#">EC-293</a>
CYL 5 MISFIRE	P0305	0305	—	—	×	<a href="#">EC-293</a>
CYL 6 MISFIRE	P0306	0306	—	—	×	<a href="#">EC-293</a>
KNOCK SEN/CIRC-B1	P0327	0327	—	—	×	<a href="#">EC-299</a>
KNOCK SEN/CIRC-B1	P0328	0328	—	—	×	<a href="#">EC-299</a>
CKP SEN/CIRCUIT	P0335	0335	—	—	×	<a href="#">EC-304</a>
CMP SEN/CIRC-B1	P0340	0340	—	—	×	<a href="#">EC-310</a>
CMP SEN/CIRC-B2	P0345	0345	—	—	×	<a href="#">EC-310</a>
TW CATALYST SYS-B1	P0420	0420	×	×	×*5	<a href="#">EC-318</a>
TW CATALYST SYS-B2	P0430	0430	×	×	×*5	<a href="#">EC-318</a>
EVAP PURG FLOW/MON	P0441	0441	×	×	×*5	<a href="#">EC-323</a>
EVAP SMALL LEAK	P0442	0442	×	×	×*5	<a href="#">EC-328</a>
PURG VOLUME CONT/V	P0444	0444	—	—	×	<a href="#">EC-338</a>
PURG VOLUME CONT/V	P0445	0445	—	—	×	<a href="#">EC-338</a>
VENT CONTROL VALVE	P0447	0447	—	—	×	<a href="#">EC-345</a>
EVAP SYS PRES SEN	P0451	0451	—	—	×	<a href="#">EC-352</a>
EVAP SYS PRES SEN	P0452	0452	—	—	×	<a href="#">EC-355</a>
EVAP SYS PRES SEN	P0453	0453	—	—	×	<a href="#">EC-361</a>
EVAP GROSS LEAK	P0455	0455	—	×	×*5	<a href="#">EC-369</a>
EVAP VERY SML LEAK	P0456	0456	×*4	×	×*5	<a href="#">EC-377</a>
FUEL LEV SEN SLOSH	P0460	0460	—	—	×	<a href="#">EC-387</a>
FUEL LEVEL SENSOR	P0461	0461	—	—	×	<a href="#">EC-389</a>
FUEL LEVL SEN/CIRC	P0462	0462	—	—	×	<a href="#">EC-391</a>
VEH SPEED SEN/CIRC*7	P0500	0500	—	—	×	<a href="#">EC-393</a>
ISC SYSTEM	P0506	0506	—	—	×	<a href="#">EC-395</a>
ISC SYSTEM	P0507	0507	—	—	×	<a href="#">EC-397</a>

A  
 EC  
 C  
 D  
 E  
 F  
 G  
 H  
 I  
 J  
 K  
 L  
 M

## ON BOARD DIAGNOSTIC (OBD) SYSTEM

Items (CONSULT-II screen terms)	DTC*1		SRT code	Test value/ Test limit (GST only)	1st trip DTC	Reference page
	CONSULT-II GST*2	ECM*3				
PW ST P SEN/CIRC	P0550	0550	—	—	×	<a href="#">EC-399</a>
ECM	P0605	0605	—	—	× or —	<a href="#">EC-404</a>
PNP SW/CIRC	P0705	0705	—	—	×	<a href="#">AT-110</a>
ATF TEMP SEN/CIRC	P0710	0710	—	—	×	<a href="#">AT-130</a>
VEH SPD SEN/CIR AT*7	P0720	0720	—	—	×	<a href="#">AT-112</a>
ENGINE SPEED SIG	P0725	0725	—	—	×	<a href="#">AT-114</a>
TCC SOLENOID/CIRC	P0740	0740	—	—	×	<a href="#">AT-116</a>
A/T TCC S/V FNCTN	P0744	0744	—	—	×	<a href="#">AT-118</a>
L/PRESS SOL/CIRC	P0745	0745	—	—	×	<a href="#">AT-120</a>
ECM BACK UP/CIRC	P1065	1065	—	—	×	<a href="#">EC-407</a>
INT/V TIM V/CIR-B1	P1111	1111	—	—	×	<a href="#">EC-411</a>
ETC ACTR	P1121	1121	—	—	—	<a href="#">EC-418</a>
ETC FUNCTION/CIRC	P1122	1122	—	—	—	<a href="#">EC-420</a>
ETC MOT PWR	P1124	1124	—	—	—	<a href="#">EC-426</a>
ETC MOT PWR	P1126	1126	—	—	—	<a href="#">EC-426</a>
ETC MOT	P1128	1128	—	—	—	<a href="#">EC-431</a>
INT/V TIM V/CIR-B2	P1136	1136	—	—	×	<a href="#">EC-411</a>
HO2S1 (B1)	P1143	1143	×	×	×*5	<a href="#">EC-436</a>
HO2S1 (B1)	P1144	1144	×	×	×*5	<a href="#">EC-442</a>
HO2S2 (B1)	P1146	1146	×	×	×*5	<a href="#">EC-449</a>
HO2S2 (B1)	P1147	1147	×	×	×*5	<a href="#">EC-460</a>
CLOSED LOOP-B1	P1148	1148	—	—	—	<a href="#">EC-471</a>
HO2S1 (B2)	P1163	1163	×	×	×*5	<a href="#">EC-436</a>
HO2S1 (B2)	P1164	1164	×	×	×*5	<a href="#">EC-442</a>
HO2S2 (B2)	P1166	1166	×	×	×*5	<a href="#">EC-449</a>
HO2S2 (B2)	P1167	1167	×	×	×*5	<a href="#">EC-460</a>
CLOSED LOOP-B2	P1168	1168	—	—	—	<a href="#">EC-471</a>
TCS C/U FUNCTN	P1211	1211	—	—	×	<a href="#">EC-473</a>
TCS/CIRC	P1212	1212	—	—	×	<a href="#">EC-474</a>
ENG OVER TEMP	P1217	1217	—	—	—	<a href="#">EC-475</a>
CTP LEARNING	P1225	1225	—	—	×	<a href="#">EC-488</a>
CTP LEARNING	P1226	1226	—	—	×	<a href="#">EC-490</a>
SENSOR POWER/CIRC	P1229	1229	—	—	—	<a href="#">EC-492</a>
PURG VOLUME CONT/V	P1444	1444	—	—	×	<a href="#">EC-497</a>
VENT CONTROL VALVE	P1446	1446	—	—	×	<a href="#">EC-505</a>
ASCD SW	P1564	1564	—	—	—	<a href="#">EC-512</a>
ASCD BRAKE SW	P1572	1572	—	—	—	<a href="#">EC-519</a>
ASCD VHL SPD SEN	P1574	1574	—	—	—	<a href="#">EC-536</a>
NATS MALFUNCTION	P1610 - P1615	1610 - 1615	—	—	×	<a href="#">EC-71</a>
TPV SEN/CIRC A/T	P1705	1705	—	—	—	<a href="#">AT-128</a>

# ON BOARD DIAGNOSTIC (OBD) SYSTEM

Items (CONSULT-II screen terms)	DTC*1		SRT code	Test value/ Test limit (GST only)	1st trip DTC	Reference page
	CONSULT-II GST*2	ECM*3				
P-N POS SW/CIRCUIT	P1706	1706	—	—	×	<a href="#">EC-538</a>
TURBINE REV S/CIRC	P1716	1716	—	—	×	<a href="#">AT-132</a>
A/T INTERLOCK	P1730	1730	—	—	—	<a href="#">AT-136</a>
I/C SOLENOID/CIRC	P1752	1752	—	—	—	<a href="#">AT-141</a>
I/C SOLENOID FNCTN	P1754	1754	—	—	—	<a href="#">AT-143</a>
FR/B SOLENOID/CIRC	P1757	1757	—	—	—	<a href="#">AT-145</a>
FR/B SOLENOID/CIRC	P1759	1759	—	—	—	<a href="#">AT-147</a>
D/C SOLENOID/CIRC	P1762	1762	—	—	—	<a href="#">AT-149</a>
D/C SOLENOID FNCTN	P1764	1764	—	—	—	<a href="#">AT-151</a>
HLR/C SOL/CIRC	P1767	1767	—	—	—	<a href="#">AT-153</a>
HLR/C SOL FNCTN	P1769	1769	—	—	—	<a href="#">AT-155</a>
LC/B SOLENOID/CIRC	P1772	1772	—	—	—	<a href="#">AT-157</a>
LC/B SOLENOID FNCT	P1774	1774	—	—	—	<a href="#">AT-159</a>
BRAKE SW/CIRCUIT	P1805	1805	—	—	×	<a href="#">EC-546</a>
APP SEN 1/CIRC	P2122	2122	—	—	—	<a href="#">EC-552</a>
APP SEN 1/CIRC	P2123	2123	—	—	—	<a href="#">EC-552</a>
APP SEN 2/CIRC	P2127	2127	—	—	—	<a href="#">EC-559</a>
APP SEN 2/CIRC	P2128	2128	—	—	—	<a href="#">EC-559</a>
TP SENSOR	P2135	2135	—	—	—	<a href="#">EC-566</a>
APP SENSOR	P2138	2138	—	—	—	<a href="#">EC-573</a>

\*1: 1st trip DTC No. is the same as DTC No.

\*2: These numbers are prescribed by SAE J2012.

\*3: In Diagnostic Test Mode II (Self-diagnostic results), these numbers are controlled by NISSAN.

\*4: SRT code will not be set if the self-diagnostic result is NG.

\*5: These are not displayed with GST.

\*6: The troubleshooting for this DTC needs CONSULT-II.

\*7: When the fail-safe operations for both self-diagnoses occur at the same time, the MIL illuminates.

## NOTE:

Regarding Z33 models, "B1" indicates bank 1, "B2" indicates bank 2.

## DTC AND 1ST TRIP DTC

The 1st trip DTC (whose number is the same as the DTC number) is displayed for the latest self-diagnostic result obtained. If the ECM memory was cleared previously, and the 1st trip DTC did not reoccur, the 1st trip DTC will not be displayed.

If a malfunction is detected during the 1st trip, the 1st trip DTC is stored in the ECM memory. The MIL will not light up (two trip detection logic). If the same malfunction is not detected in the 2nd trip (meeting the required driving pattern), the 1st trip DTC is cleared from the ECM memory. If the same malfunction is detected in the 2nd trip, both the 1st trip DTC and DTC are stored in the ECM memory and the MIL lights up. In other words, the DTC is stored in the ECM memory and the MIL lights up when the same malfunction occurs in two consecutive trips. If a 1st trip DTC is stored and a non-diagnostic operation is performed between the 1st and 2nd trips, only the 1st trip DTC will continue to be stored. For malfunctions that blink or light up the MIL during the 1st trip, the DTC and 1st trip DTC are stored in the ECM memory.

Procedures for clearing the DTC and the 1st trip DTC from the ECM memory are described in [EC-69, "HOW TO ERASE EMISSION-RELATED DIAGNOSTIC INFORMATION"](#).

For malfunctions in which 1st trip DTCs are displayed, refer to [EC-56, "EMISSION-RELATED DIAGNOSTIC INFORMATION ITEMS"](#). These items are required by legal regulations to continuously monitor the system/component. In addition, the items monitored non-continuously are also displayed on CONSULT-II.

1st trip DTC is specified in Mode 7 of SAE J1979. 1st trip DTC detection occurs without lighting up the MIL and therefore does not warn the driver of a malfunction. However, 1st trip DTC detection will not prevent the vehicle from being tested, for example during Inspection/Maintenance (I/M) tests.

# ON BOARD DIAGNOSTIC (OBD) SYSTEM

When a 1st trip DTC is detected, check, print out or write down and erase (1st trip) DTC and Freeze Frame data as specified in "Work Flow" procedure Step II, refer to [EC-81, "WORK FLOW"](#) . Then perform "DTC Confirmation Procedure" or "Overall Function Check" to try to duplicate the malfunction. If the malfunction is duplicated, the item requires repair.

## How to Read DTC and 1st Trip DTC

DTC and 1st trip DTC can be read by the following methods.

 **With CONSULT-II**

 **With GST**

CONSULT-II or GST (Generic Scan Tool) Examples: P0340, P1148, P1706, etc.

These DTCs are prescribed by SAE J2012.

(CONSULT-II also displays the malfunctioning component or system.)

 **No Tools**

The number of blinks of the MIL in the Diagnostic Test Mode II (Self-Diagnostic Results) indicates the DTC. Example: 0340, 1148, 1706, etc.

These DTCs are controlled by NISSAN.

- **1st trip DTC No. is the same as DTC No.**
- **Output of a DTC indicates a malfunction. However, GST or the Diagnostic Test Mode II do not indicate whether the malfunction is still occurring or has occurred in the past and has returned to normal. CONSULT-II can identify malfunction status as shown below. Therefore, using CONSULT-II (if available) is recommended.**

A sample of CONSULT-II display for DTC and 1st trip DTC is shown below. DTC or 1st trip DTC of a malfunction is displayed in SELF-DIAGNOSTIC RESULTS mode of CONSULT-II. Time data indicates how many times the vehicle was driven after the last detection of a DTC.

If the DTC is being detected currently, the time data will be "0".

If a 1st trip DTC is stored in the ECM, the time data will be "[1t]".

DTC display	SELF DIAG RESULTS		1st trip DTC display	SELF DIAG RESULTS	
	DTC RESULTS	TIME		DTC RESULTS	TIME
	CKP SEN/CIRCUIT [P0335]	0		CKP SEN/CIRCUIT [P0335]	1t

PBIB0911E

## FREEZE FRAME DATA AND 1ST TRIP FREEZE FRAME DATA

The ECM records the driving conditions such as fuel system status, calculated load value, engine coolant temperature, short term fuel trim, long term fuel trim, engine speed, vehicle speed, base fuel schedule and intake air temperature at the moment a malfunction is detected.

Data which are stored in the ECM memory, along with the 1st trip DTC, are called 1st trip freeze frame data. The data, stored together with the DTC data, are called freeze frame data and displayed on CONSULT-II or GST. The 1st trip freeze frame data can only be displayed on the CONSULT-II screen, not on the GST. For details, see [EC-116, "Freeze Frame Data and 1st Trip Freeze Frame Data"](#) .

Only one set of freeze frame data (either 1st trip freeze frame data or freeze frame data) can be stored in the ECM. 1st trip freeze frame data is stored in the ECM memory along with the 1st trip DTC. There is no priority for 1st trip freeze frame data and it is updated each time a different 1st trip DTC is detected. However, once freeze frame data (2nd trip detection/MIL on) is stored in the ECM memory, 1st trip freeze frame data is no longer stored. Remember, only one set of freeze frame data can be stored in the ECM. The ECM has the following priorities to update the data.

Priority	Items	
1	Freeze frame data	Misfire — DTC: P0300 - P0306 Fuel Injection System Function — DTC: P0171, P0172, P0174, P0175
2		Except the above items (Includes A/T related items)
3	1st trip freeze frame data	

# ON BOARD DIAGNOSTIC (OBD) SYSTEM

For example, the EGR malfunction (Priority: 2) was detected and the freeze frame data was stored in the 2nd trip. After that when the misfire (Priority: 1) is detected in another trip, the freeze frame data will be updated from the EGR malfunction to the misfire. The 1st trip freeze frame data is updated each time a different malfunction is detected. There is no priority for 1st trip freeze frame data. However, once freeze frame data is stored in the ECM memory, 1st trip freeze data is no longer stored (because only one freeze frame data or 1st trip freeze frame data can be stored in the ECM). If freeze frame data is stored in the ECM memory and freeze frame data with the same priority occurs later, the first (original) freeze frame data remains unchanged in the ECM memory.

Both 1st trip freeze frame data and freeze frame data (along with the DTCs) are cleared when the ECM memory is erased. Procedures for clearing the ECM memory are described in [EC-69, "HOW TO ERASE EMIS-SION-RELATED DIAGNOSTIC INFORMATION"](#).

## SYSTEM READINESS TEST (SRT) CODE

System Readiness Test (SRT) code is specified in Mode 1 of SAE J1979.

As part of an enhanced emissions test for Inspection & Maintenance (I/M), certain states require the status of SRT be used to indicate whether the ECM has completed self-diagnosis of major emission systems and components. Completion must be verified in order for the emissions inspection to proceed.

If a vehicle is rejected for a State emissions inspection due to one or more SRT items indicating "INCMP", use the information in this Service Manual to set the SRT to "CMPLT".

In most cases the ECM will automatically complete its self-diagnosis cycle during normal usage, and the SRT status will indicate "CMPLT" for each application system. Once set as "CMPLT", the SRT status remains "CMPLT" until the self-diagnosis memory is erased.

Occasionally, certain portions of the self-diagnostic test may not be completed as a result of the customer's normal driving pattern; the SRT will indicate "INCMP" for these items.

### NOTE:

The SRT will also indicate "INCMP" if the self-diagnosis memory is erased for any reason or if the ECM memory power supply is interrupted for several hours.

If, during the state emissions inspection, the SRT indicates "CMPLT" for all test items, the inspector will continue with the emissions test. However, if the SRT indicates "INCMP" for one or more of the SRT items the vehicle is returned to the customer untested.

### NOTE:

If MIL is "ON" during the state emissions inspection, the vehicle is also returned to the customer untested even though the SRT indicates "CMPLT" for all test items. Therefore, it is important to check SRT ("CMPLT") and DTC (No DTCs) before the inspection.

# ON BOARD DIAGNOSTIC (OBD) SYSTEM

## SRT Item

The table below shows required self-diagnostic items to set the SRT to "CMPLT".

SRT item (CONSULT-II indication)	Performance Priority*1	Required self-diagnostic items to set the SRT to "CMPLT"	Corresponding DTC No.
CATALYST	2	Three way catalyst function	P0420, P0430
EVAP SYSTEM	1	EVAP control system	P0442
	2	EVAP control system	P0456
	2	EVAP control system purge flow monitoring	P0441
HO2S	2	Heated oxygen sensor 1	P0132, P0152
		Heated oxygen sensor 1	P0133, P0153
		Heated oxygen sensor 1	P0134, P0154
		Heated oxygen sensor 1	P1143, P1163
		Heated oxygen sensor 1	P1144, P1164
		Heated oxygen sensor 2	P0138, P0158
		Heated oxygen sensor 2	P0139, P0159
		Heated oxygen sensor 2	P1146, P1166
		Heated oxygen sensor 2	P1147, P1167
HO2S HTR	2	Heated oxygen sensor 1 heater	P0031, P0032, P0051, P0052
		Heated oxygen sensor 2 heater	P0037, P0038, P0057, P0058

\*1: If completion of several SRTs is required, perform driving patterns (DTC confirmation procedure), one by one based on the priority for models with CONSULT-II.

## SRT Set Timing

SRT is set as "CMPLT" after self-diagnosis has been performed one or more times. Completion of SRT is done regardless of whether the result is OK or NG. The set timing is different between OK and NG results and is shown in the table below.

Self-diagnosis result		Example						
		Diagnosis	Ignition cycle					
			← ON →	OFF	← ON →	OFF	← ON →	OFF
All OK	Case 1	P0400	OK (1)	— (1)	OK (2)	— (2)	— (2)	OK (2)
		P0402	OK (1)	— (1)	— (1)	— (1)	OK (2)	OK (2)
		P1402	OK (1)	OK (2)	— (2)	— (2)	— (2)	— (2)
		SRT of EGR	"CMPLT"	"CMPLT"	"CMPLT"	"CMPLT"	"CMPLT"	"CMPLT"
	Case 2	P0400	OK (1)	— (1)	— (1)	— (1)	— (1)	— (1)
		P0402	— (0)	— (0)	OK (1)	— (1)	— (1)	— (1)
		P1402	OK (1)	OK (2)	— (2)	— (2)	— (2)	— (2)
		SRT of EGR	"INCMP"	"INCMP"	"CMPLT"	"CMPLT"	"CMPLT"	"CMPLT"
NG exists	Case 3	P0400	OK	OK	—	—	—	
		P0402	—	—	—	—	—	
		P1402	NG	—	NG	NG	NG (Consecutive NG)	
		(1st trip) DTC	1st trip DTC	—	1st trip DTC	DTC (= MIL "ON")		
		SRT of EGR	"INCMP"	"INCMP"	"INCMP"	"CMPLT"		

OK: Self-diagnosis is carried out and the result is OK.

NG: Self-diagnosis is carried out and the result is NG.

# ON BOARD DIAGNOSTIC (OBD) SYSTEM

—: Self-diagnosis is not carried out.

When all SRT related self-diagnoses showed OK results in a single cycle (Ignition OFF-ON-OFF), the SRT will indicate "CMPLT". → Case 1 above

When all SRT related self-diagnoses showed OK results through several different cycles, the SRT will indicate "CMPLT" at the time the respective self-diagnoses have at least one OK result. → Case 2 above

If one or more SRT related self-diagnoses showed NG results in 2 consecutive cycles, the SRT will also indicate "CMPLT". → Case 3 above

The table above shows that the minimum number of cycles for setting SRT as "INCMP" is one (1) for each self-diagnosis (Case 1 & 2) or two (2) for one of self-diagnoses (Case 3). However, in preparation for the state emissions inspection, it is unnecessary for each self-diagnosis to be executed twice (Case 3) for the following reasons:

- The SRT will indicate "CMPLT" at the time the respective self-diagnoses have one (1) OK result.
- The emissions inspection requires "CMPLT" of the SRT only with OK self-diagnosis results.
- When, during SRT driving pattern, 1st trip DTC (NG) is detected prior to "CMPLT" of SRT, the self-diagnosis memory must be erased from ECM after repair.
- If the 1st trip DTC is erased, all the SRT will indicate "INCMP".

**NOTE:**

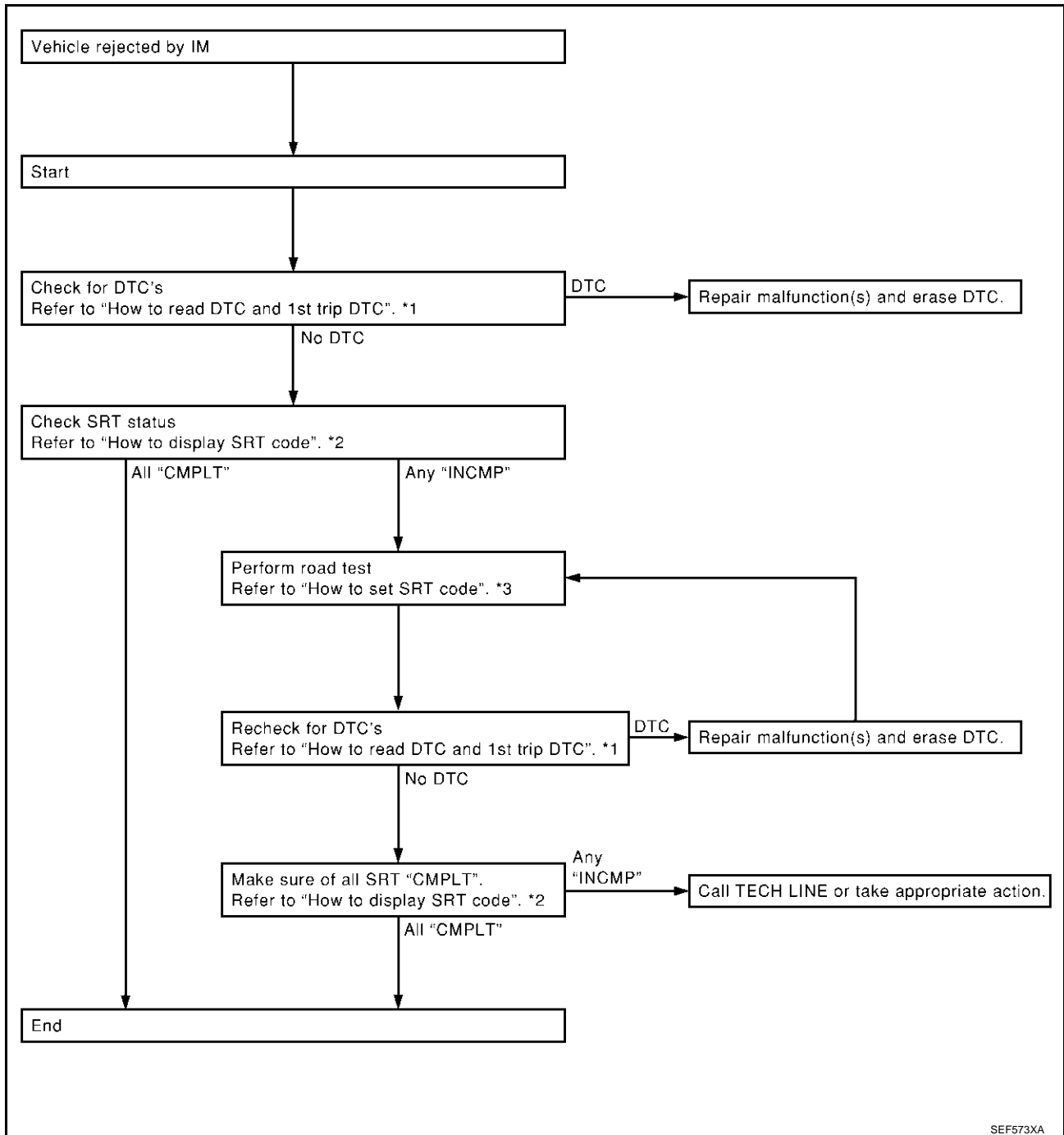
SRT can be set as "CMPLT" together with the DTC(s). Therefore, DTC check must always be carried out prior to the state emission inspection even though the SRT indicates "CMPLT".

## SRT Service Procedure

If a vehicle has failed the state emissions inspection due to one or more SRT items indicating "INCMP", review the flowchart diagnostic sequence on the next page.

A  
EC  
C  
D  
E  
F  
G  
H  
I  
J  
K  
L  
M

# ON BOARD DIAGNOSTIC (OBD) SYSTEM



\*1 [EC-60](#)

\*2 [EC-64](#)

\*3 [EC-65](#)

SEF573XA

## How to Display SRT Code

### WITH CONSULT-II

Selecting "SRT STATUS" in "DTC CONFIRMATION" mode with CONSULT-II.

For items whose SRT codes are set, a "CMPLT" is displayed on the CONSULT-II screen; for items whose SRT codes are not set, "INCMP" is displayed.

A sample of CONSULT-II display for SRT code is shown at right.

"INCMP" means the self-diagnosis is incomplete and SRT is not set.

"CMPLT" means the self-diagnosis is complete and SRT is set.

### WITH GST

Selecting Mode 1 with GST (Generic Scan Tool)

SRT STATUS	
CATALYST	CMPLT
EVAP SYSTEM	INCMP
HO2S HTR	CMPLT
HO2S	CMPLT

SEF935Z



# ON BOARD DIAGNOSTIC (OBD) SYSTEM

## How to Set SRT Code

To set all SRT codes, self-diagnosis for the items indicated above must be performed one or more times. Each diagnosis may require a long period of actual driving under various conditions.

### WITH CONSULT-II

Perform corresponding DTC Confirmation Procedure one by one based on "Performance Priority" in the table on [EC-62. "SRT Item"](#).

### WITHOUT CONSULT-II

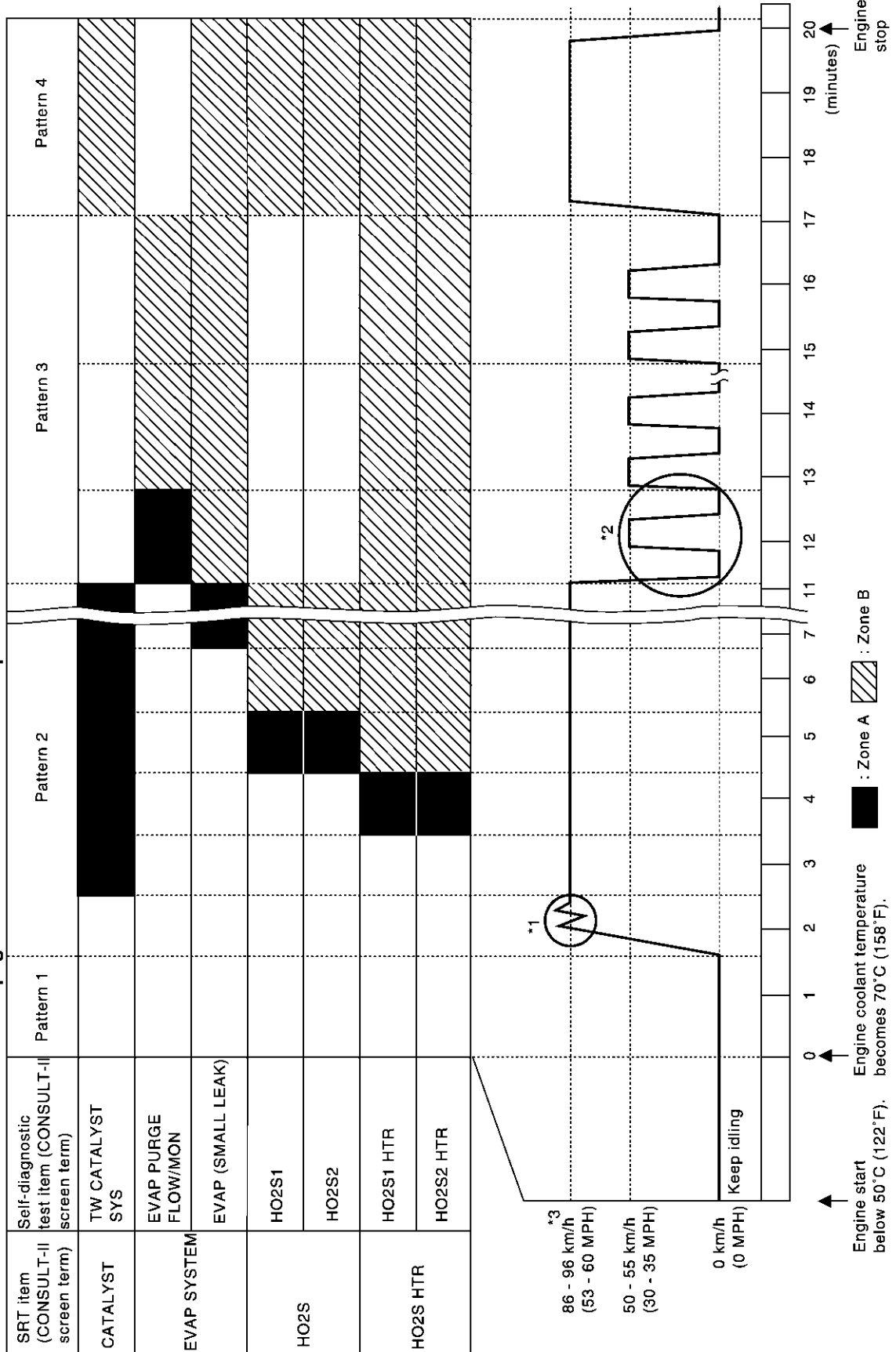
The most efficient driving pattern in which SRT codes can be properly set is explained on the next page. The driving pattern should be performed one or more times to set all SRT codes.

A  
EC  
C  
D  
E  
F  
G  
H  
I  
J  
K  
L  
M

# ON BOARD DIAGNOSTIC (OBD) SYSTEM

## Driving Pattern

**Driving pattern**      **Note: Always drive vehicle in safe manner according to traffic conditions and obey all traffic laws. Refer to next page for more information and explanation of chart.**



PBIB1053E

# ON BOARD DIAGNOSTIC (OBD) SYSTEM

- The time required for each diagnosis varies with road surface conditions, weather, altitude, individual driving habits, etc.  
Zone A refers to the range where the time, required for the diagnosis under normal conditions\*, is the shortest.  
Zone B refers to the range where the diagnosis can still be performed if the diagnosis is not completed within zone A.

\*: Normal conditions refer to the following:

- Sea level
- Flat road
- Ambient air temperature: 20 - 30°C (68 - 86°F)
- Diagnosis is performed as quickly as possible under normal conditions.  
Under different conditions [For example: ambient air temperature other than 20 - 30°C (68 - 86°F)], diagnosis may also be performed.

Pattern 1:

- **The engine is started at the engine coolant temperature of -10 to 35°C (14 to 95°F) (where the voltage between the ECM terminal 73 and ground is 3.0 - 4.3V).**
- **The engine must be operated at idle speed until the engine coolant temperature is greater than 70°C (158°F) (where the voltage between the ECM terminal 73 and ground is lower than 1.4V).**
- **The engine is started at the fuel tank temperature of warmer than 0°C (32°F) (where the voltage between the ECM terminal 107 and ground is less than 4.1V).**

Pattern 2:

- When steady-state driving is performed again even after it is interrupted, each diagnosis can be conducted. In this case, the time required for diagnosis may be extended.

Pattern 3:

- The driving pattern outlined in \*2 must be repeated at least 3 times.

Pattern 4:

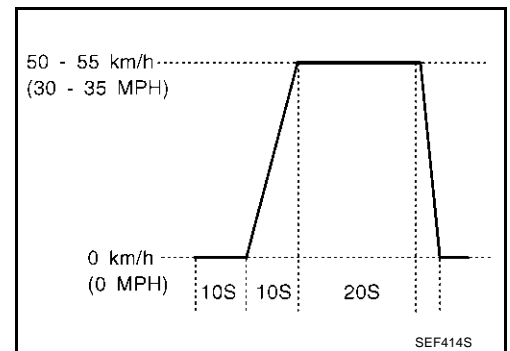
- Tests are performed after the engine has been operated for at least 17 minutes.
- The accelerator pedal must be held very steady during steady-state driving.
- If the accelerator pedal is moved, the test must be conducted all over again.

\*1: Depress the accelerator pedal until vehicle speed is 90 km/h (56 MPH), then release the accelerator pedal and keep it released for more than 10 seconds. Depress the accelerator pedal until vehicle speed is 90 km/h (56 MPH) again.

\*2: Operate the vehicle in the following driving pattern.

1. Decelerate vehicle to 0 km/h (0 MPH) and let engine idle.
2. Repeat driving pattern shown at right at least 10 times.  
- **During acceleration, hold the accelerator pedal as steady as possible.**

\*3: Checking the vehicle speed with GST is advised.



## Suggested Transmission Gear Position

Set the selector lever in the "D" position.

## Suggested Upshift Speeds for M/T Models

Shown below are suggested vehicle speeds for shifting into a higher gear. These suggestions relate to fuel economy and vehicle performance. Actual upshift speeds will vary according to road conditions, the weather and individual driving habits.

## ON BOARD DIAGNOSTIC (OBD) SYSTEM

Gear change	For normal acceleration in low altitude areas [less than 1,219 m (4,000 ft)]:		For quick acceleration in low altitude areas and high altitude areas [over 1,219 m (4,000 ft)]:
	ACCEL shift point km/h (MPH)	CRUISE shift point km/h (MPH)	km/h (MPH)
1st to 2nd	21 (13)	13 (8)	24 (15)
2nd to 3rd	37 (23)	26 (16)	40 (25)
3rd to 4th	48 (30)	40 (25)	64 (40)
4th to 5th	60 (37)	45 (28)	72 (45)
6th	68 (42)	53 (33)	80 (50)

### Suggested Maximum Speed in Each Gear

Downshift to a lower gear if the engine is not running smoothly, or if you need to accelerate.

Do not exceed the maximum suggested speed (shown below) in any gear. For level road driving, use the highest gear suggested for that speed. Always observe posted speed limits and drive according to the road conditions to ensure safe operation. Do not over-rev the engine when shifting to a lower gear as it may cause engine damage or loss of vehicle control.

Gear	km/h (MPH)
1st	56 (35)
2nd	96 (60)
3rd	136 (85)
4th	—
5th	—
6th	—

### TEST VALUE AND TEST LIMIT (GST ONLY — NOT APPLICABLE TO CONSULT-II)

The following is the information specified in Mode 6 of SAE J1979.

The test value is a parameter used to determine whether a system/circuit diagnostic test is “OK” or “NG” while being monitored by the ECM during self-diagnosis. The test limit is a reference value which is specified as the maximum or minimum value and is compared with the test value being monitored.

Items for which these data (test value and test limit) are displayed are the same as SRT code items (30 test items).

These data (test value and test limit) are specified by Test ID (TID) and Component ID (CID) and can be displayed on the GST screen.

×: Applicable —: Not applicable

SRT item	Self-diagnostic test item	Test value (GST display)		Test limit	Application
		TID	CID		
CATALYST	Three way catalyst function (Bank 1)	01H	01H	Max.	×
		02H	81H	Min.	×
	Three way catalyst function (Bank 2)	03H	02H	Max.	×
		04H	82H	Min.	×
EVAP SYSTEM	EVAP control system (Small leak)	05H	03H	Max.	×
	EVAP control system purge flow monitoring	06H	83H	Min.	×
	EVAP control system (Very small leak)	07H	03H	Max.	×

# ON BOARD DIAGNOSTIC (OBD) SYSTEM

SRT item	Self-diagnostic test item	Test value (GST display)		Test limit	Application
		TID	CID		
HO2S	Heated oxygen sensor 1 (Bank 1)	09H	04H	Max.	×
		0AH	84H	Min.	×
		0BH	04H	Max.	×
		0CH	04H	Max.	×
		0DH	04H	Max.	×
	Heated oxygen sensor 1 (Bank 2)	11H	05H	Max.	×
		12H	85H	Min.	×
		13H	05H	Max.	×
		14H	05H	Max.	×
	Heated oxygen sensor 2 (Bank 1)	15H	05H	Max.	×
		19H	86H	Min.	×
		1AH	86H	Min.	×
		1BH	06H	Max.	×
	Heated oxygen sensor 2 (Bank 2)	1CH	06H	Max.	×
		21H	87H	Min.	×
		22H	87H	Min.	×
23H		07H	Max.	×	
HO2S HTR	Heated oxygen sensor 1 heater (Bank 1)	24H	07H	Max.	×
		29H	08H	Max.	×
	Heated oxygen sensor 1 heater (Bank 2)	2AH	88H	Min.	×
		2BH	09H	Max.	×
	Heated oxygen sensor 2 heater (Bank 1)	2CH	89H	Min.	×
		2DH	0AH	Max.	×
Heated oxygen sensor 2 heater (Bank 2)	2EH	8AH	Min.	×	
	2FH	0BH	Max.	×	
		30H	8BH	Min.	×

## HOW TO ERASE EMISSION-RELATED DIAGNOSTIC INFORMATION

### How to Erase DTC

#### WITH CONSULT-II

The emission related diagnostic information in the ECM can be erased by selecting “ERASE” in the “SELF-DIAG RESULTS” mode with CONSULT-II.

If DTCs are displayed for both ECM and TCM (Transmission control module), they need to be erased individually from the ECM and TCM (Transmission control module).

#### NOTE:

**If the DTC is not for A/T related items (see [EC-8](#)), skip steps 2 through 4.**

1. If the ignition switch stays “ON” after repair work, be sure to turn ignition switch “OFF” once. Wait at least 10 seconds and then turn it “ON” (engine stopped) again.
2. Turn CONSULT-II “ON” and touch “A/T”.
3. Touch “SELF-DIAG RESULTS”.
4. Touch “ERASE”. [The DTC in the TCM (Transmission control module) will be erased.] Then touch “BACK” twice.
5. Touch “ENGINE”.
6. Touch “SELF-DIAG RESULTS”.

# ON BOARD DIAGNOSTIC (OBD) SYSTEM

7. Touch "ERASE". (The DTC in the ECM will be erased.)

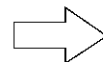
## How to erase DTC (With CONSULT-II)

1. If the ignition switch stays "ON" after repair work, be sure to turn ignition switch "OFF" once. Wait at least 10 seconds and then turn it "ON" (engine stopped) again.

SELECT SYSTEM
A/T
ENGINE



SELECT DIAG MODE
SELF-DIAG RESULTS
DATA MONITOR
CAN DIAG SUPPORT MNTR
FUNCTION TEST
DTC WORK SUPPORT
ECU PART NUMBER

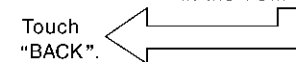
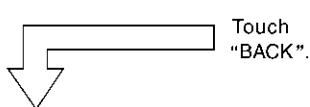


SELF-DIAG RESULTS
DTC RESULTS
TCC SOLENOID/CIRC [P0740]

2. Turn CONSULT-II "ON", and touch "A/T".

3. Touch "SELF-DIAG RESULTS".

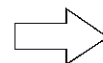
4. Touch "ERASE". (The DTC in the TCM will be erased.)



SELECT SYSTEM
A/T
ENGINE



SELECT DIAG MODE
WORK SUPPORT
SELF-DIAG RESULTS
DATA MONITOR
DATA MONITOR(SPEC)
CAN DIAG SUPPORT MNTR
ACTIVE TEST



SELF-DIAG RESULTS	
DTC RESULTS	TIME
TCC SOLENOID/CIRC [P0740]	0

5. Touch "ENGINE".

6. Touch "SELF-DIAG RESULTS".

7. Touch "ERASE". (The DTC in the TCM will be erased.)

SCIA5671E

## WITH GST

The emission related diagnostic information in the ECM can be erased by selecting Mode 4 with GST.

### NOTE:

If the DTC is not for A/T related items (see [EC-8](#)), skip step 2.

1. If the ignition switch stays "ON" after repair work, be sure to turn ignition switch "OFF" once. Wait at least 10 seconds and then turn it "ON" (engine stopped) again.
2. Perform "SELF-DIAGNOSTIC PROCEDURE (Without CONSULT-II)" in AT section titled "TROUBLE DIAGNOSIS", "Self-diagnosis". (The engine warm-up step can be skipped when performing the diagnosis only to erase the DTC.)
3. Select Mode 4 with GST (Generic Scan Tool).

## NO TOOLS

1. If the ignition switch stays "ON" after repair work, be sure to turn ignition switch "OFF" once.
2. Wait at least 10 seconds and then turn it "ON" (engine stopped) again.
3. Change the diagnostic test mode from Mode II to Mode I by depressing the accelerator pedal. Refer to [EC-72, "HOW TO SWITCH DIAGNOSTIC TEST MODE"](#).

● If the battery is disconnected, the emission-related diagnostic information will be lost within 24 hours.

● The following data are cleared when the ECM memory is erased.

- Diagnostic trouble codes
- 1st trip diagnostic trouble codes
- Freeze frame data
- 1st trip freeze frame data
- System readiness test (SRT) codes

# ON BOARD DIAGNOSTIC (OBD) SYSTEM

- Test values
- Others

Actual work procedures are explained using a DTC as an example. Be careful so that not only the DTC, but all of the data listed above, are cleared from the ECM memory during work procedures.

## NVIS (Nissan Vehicle Immobilizer System — NATS)

ABS000RS

- If the security indicator lights up with the ignition switch in the “ON” position or “NATS MALFUNCTION” is displayed on “SELF-DIAG RESULTS” screen, perform self-diagnostic results mode with CONSULT-II using NATS program card. Refer to [BL-121, "NVIS \(NISSAN VEHICLE IMMOBILIZER SYSTEM-NATS\)"](#) .
- Confirm no self-diagnostic results of NVIS (NATS) is displayed before touching “ERASE” in “SELF-DIAG RESULTS” mode with CONSULT-II.
- When replacing ECM, initialization of NVIS (NATS) system and registration of all NVIS (NATS) ignition key IDs must be carried out with CONSULT-II using NATS program card.

SELF DIAG RESULTS	
DTC RESULTS	TIME
NATS MALFUNCTION [P1610]	0

SEF543X

Therefore, be sure to receive all keys from vehicle owner. Regarding the procedures of NVIS (NATS) initialization and NVIS (NATS) ignition key ID registration, refer to CONSULT-II operation manual, IVIS/NVIS.

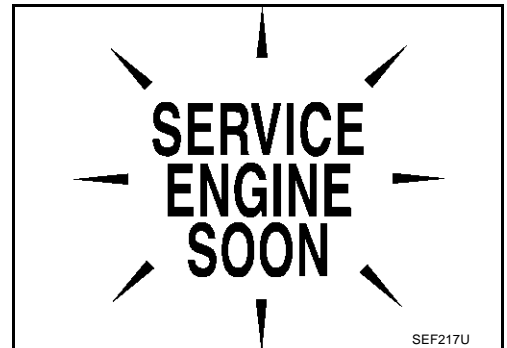
## Malfunction Indicator Lamp (MIL)

ABS000RT

### DESCRIPTION




The MIL is located on the instrument panel.

1. The MIL will light up when the ignition switch is turned ON without the engine running. This is a bulb check. If the MIL does not light up, refer to [DI-69, "WARNING LAMPS"](#) , or see [EC-631](#) .
2. When the engine is started, the MIL should go off. If the MIL remains on, the on board diagnostic system has detected an engine system malfunction.






## ON BOARD DIAGNOSTIC SYSTEM FUNCTION

The on board diagnostic system has the following four functions.

Diagnostic Test Mode	KEY and ENG. Status	Function	Explanation of Function
Mode I	Ignition switch in “ON” position  Engine stopped 	BULB CHECK	This function checks the MIL bulb for damage (blown, open circuit, etc.). If the MIL does not come on, check MIL circuit.
	Engine running 	MALFUNCTION WARNING	This is a usual driving condition. When a malfunction is detected twice in two consecutive driving cycles (two trip detection logic), the MIL will light up to inform the driver that a malfunction has been detected. The following malfunctions will light up or blink the MIL in the 1st trip. <ul style="list-style-type: none"> <li>● “Misfire (Possible three way catalyst damage)”</li> <li>● “One trip detection diagnoses”</li> </ul>

# ON BOARD DIAGNOSTIC (OBD) SYSTEM

Diagnostic Test Mode	KEY and ENG. Status	Function	Explanation of Function
Mode II	Ignition switch in "ON" position  Engine stopped 	SELF-DIAGNOSTIC RESULTS	This function allows DTCs and 1st trip DTCs to be read.
	Engine running 	HEATED OXYGEN SENSOR 1 MONITOR	

When there is an open circuit on MIL circuit, the ECM cannot warn the driver by lighting MIL up when there is malfunction on engine control system.

Therefore, when electrical controlled throttle and part of ECM related diagnoses are continuously detected as NG for 5 trips, ECM warns the driver that engine control system malfunctions and MIL circuit is open by means of operating fail-safe function.

The fail-safe function also operates when above diagnoses except MIL circuit are detected and demands the driver to repair the malfunction.

Engine operating condition in fail-safe mode

Engine speed will not rise more than 2,500 rpm due to the fuel cut

## MIL Flashing Without DTC

If the ECM is in Diagnostic Test Mode II, MIL may flash when engine is running. In this case, check ECM diagnostic test mode. [EC-72, "HOW TO SWITCH DIAGNOSTIC TEST MODE"](#) .

How to switch the diagnostic test (function) modes, and details of the above functions are described later. [EC-72, "HOW TO SWITCH DIAGNOSTIC TEST MODE"](#) .

The following emission-related diagnostic information is cleared when the ECM memory is erased.

- Diagnostic trouble codes
- 1st trip diagnostic trouble codes
- Freeze frame data
- 1st trip freeze frame data
- System readiness test (SRT) codes
- Test values
- Others

## HOW TO SWITCH DIAGNOSTIC TEST MODE

### NOTE:

- It is better to count the time accurately with a clock.
- It is impossible to switch the diagnostic mode when an accelerator pedal position sensor circuit has a malfunction.
- Always ECM returns to Diagnostic Test Mode I after ignition switch is turned "OFF".

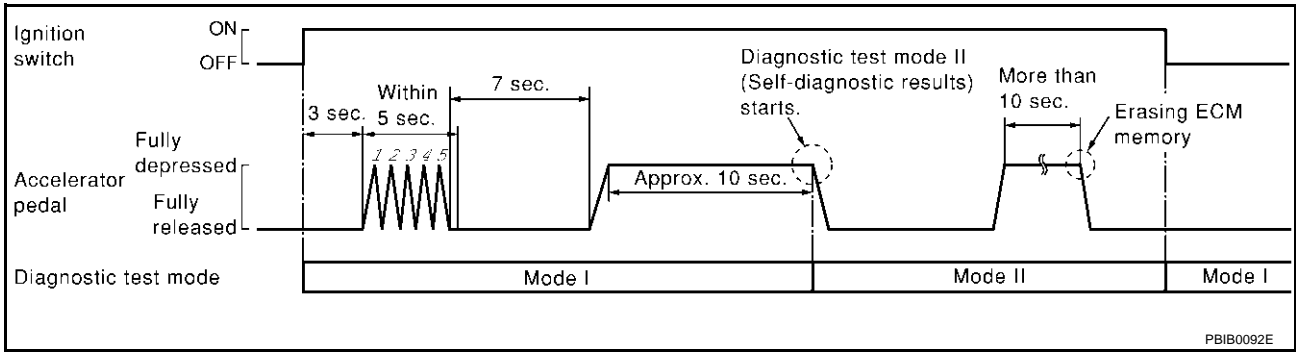
### How to Set Diagnostic Test Mode II (Self-diagnostic Results)

1. Confirm that accelerator pedal is fully released, turn ignition switch "ON" and wait 3 seconds.
2. Repeat the following procedure quickly five times within 5 seconds.
  - a. Fully depress the accelerator pedal.
  - b. Fully release the accelerator pedal.
3. Wait 7 seconds, fully depress the accelerator pedal and keep it for approx. 10 seconds until the MIL starts blinking.
4. Fully release the accelerator pedal.



# ON BOARD DIAGNOSTIC (OBD) SYSTEM

ECM has entered to Diagnostic Test Mode II (Self-diagnostic results).

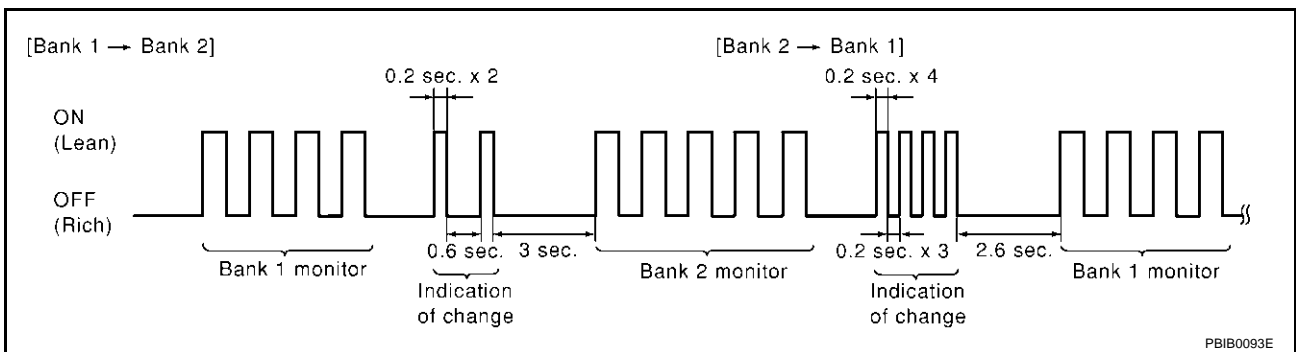


## How to Set Diagnostic Test Mode II (Heated Oxygen Sensor 1 Monitor)

1. Set the ECM in Diagnostic Test Mode II (Self-diagnostic results). Refer to [EC-72, "How to Set Diagnostic Test Mode II \(Self-diagnostic Results\)"](#).
2. Start Engine.  
ECM has entered to Diagnostic Test Mode II (Heated oxygen sensor 1 monitor).  
ECM will start heated oxygen sensor 1 monitoring from the bank 1 sensor.

## How to Switch Monitored Sensor From Bank 1 to Bank 2 or Vice Versa

1. Fully depress the accelerator pedal quickly and then release it immediately.
2. Make sure that monitoring sensor has changed by MIL blinking as follows.



## How to Erase Diagnostic Test Mode II (Self-diagnostic Results)

1. Set ECM in Diagnostic Test Mode II (Self-diagnostic results). Refer to [EC-72, "How to Set Diagnostic Test Mode II \(Self-diagnostic Results\)"](#).
2. Fully depress the accelerator pedal and keep it for more than 10 seconds.  
The emission-related diagnostic information has been erased from the backup memory in the ECM.
3. Fully release the accelerator pedal, and confirm the DTC 0000 is displayed.

## DIAGNOSTIC TEST MODE I — BULB CHECK

In this mode, the MIL on the instrument panel should stay ON. If it remains OFF, check the bulb. Refer to [DI-69, "WARNING LAMPS"](#) or see [EC-631](#).

## DIAGNOSTIC TEST MODE I — MALFUNCTION WARNING

MIL	Condition
ON	When the malfunction is detected.
OFF	No malfunction.

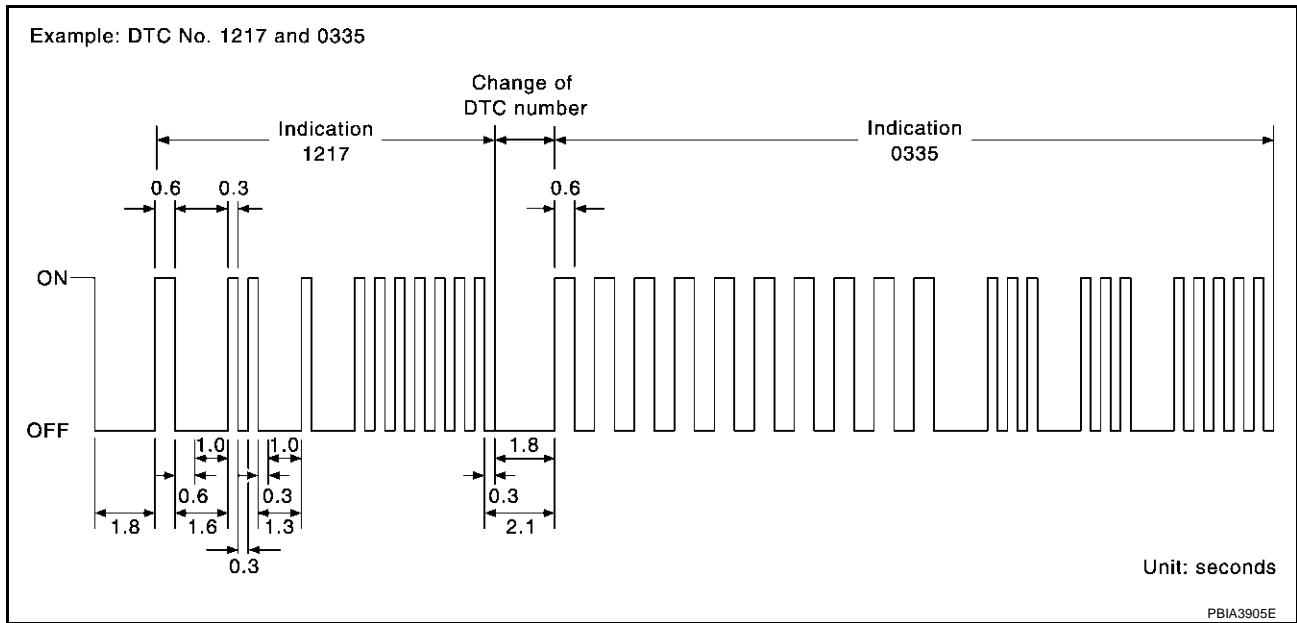
These DTC numbers are clarified in Diagnostic Test Mode II (SELF-DIAGNOSTIC RESULTS)

## DIAGNOSTIC TEST MODE II — SELF-DIAGNOSTIC RESULTS

In this mode, the DTC and 1st trip DTC are indicated by the number of blinks of the MIL as shown below. The DTC and 1st trip DTC are displayed at the same time. If the MIL does not illuminate in diagnostic test mode I (Malfunction warning), all displayed items are 1st trip DTCs. If only one code is displayed when the MIL illuminates in diagnostic test mode II (SELF-DIAGNOSTIC RESULTS), it is a DTC; if two or more codes are displayed, they may be either DTCs or 1st trip DTCs. DTC No. is same as that of 1st trip DTC. These uniden-

# ON BOARD DIAGNOSTIC (OBD) SYSTEM

tified codes can be identified by using the CONSULT-II or GST. A DTC will be used as an example for how to read a code.



A particular trouble code can be identified by the number of four-digit numeral flashes. The “zero” is indicated by the number of ten flashes. The length of time the 1,000th-digit numeral flashes on and off is 1.2 seconds consisting of an ON (0.6-second) - OFF (0.6-second) cycle.

The 100th-digit numeral and lower digit numerals consist of a 0.3-second ON and 0.3-second OFF cycle.

A change from one digit numeral to another occurs at an interval of 1.0-second OFF. In other words, the later numeral appears on the display 1.3 seconds after the former numeral has disappeared.

A change from one trouble code to another occurs at an interval of 1.8-second OFF.

In this way, all the detected malfunctions are classified by their DTC numbers. The DTC “0000” refers to no malfunction. (See [EC-8, "INDEX FOR DTC"](#) )

## How to Erase Diagnostic Test Mode II (Self-diagnostic Results)

The DTC can be erased from the back up memory in the ECM by depressing accelerator pedal. Refer to [EC-73, "How to Erase Diagnostic Test Mode II \(Self-diagnostic Results\)"](#) .

- If the battery is disconnected, the DTC will be lost from the backup memory within 24 hours.
- Be careful not to erase the stored memory before starting trouble diagnoses.

## DIAGNOSTIC TEST MODE II — HEATED OXYGEN SENSOR 1 MONITOR

In this mode, the MIL displays the condition of the fuel mixture (lean or rich) which is monitored by the heated oxygen sensor 1.

MIL	Fuel mixture condition in the exhaust gas	Air fuel ratio feedback control condition
ON	Lean	Closed loop system
OFF	Rich	
*Remains ON or OFF	Any condition	Open loop system

\*: Maintains conditions just before switching to open loop.

To check the heated oxygen sensor 1 function, start engine in the Diagnostic Test Mode II and warm it up until engine coolant temperature indicator points to the middle of the gauge.

Next run engine at about 2,000 rpm for about 2 minutes under no-load conditions. Then make sure that the MIL comes ON more than 5 times within 10 seconds with engine running at 2,000 rpm under no-load.

## OBD System Operation Chart

### RELATIONSHIP BETWEEN MIL, 1ST TRIP DTC, DTC, AND DETECTABLE ITEMS

ABS000RU

- When a malfunction is detected for the first time, the 1st trip DTC and the 1st trip freeze frame data are stored in the ECM memory.
- When the same malfunction is detected in two consecutive trips, the DTC and the freeze frame data are stored in the ECM memory, and the MIL will come on. For details, refer to [EC-55, "Two Trip Detection Logic"](#) .

# ON BOARD DIAGNOSTIC (OBD) SYSTEM

- The MIL will go off after the vehicle is driven 3 times with no malfunction. The drive is counted only when the recorded driving pattern is met (as stored in the ECM). If another malfunction occurs while counting, the counter will reset. A
- The DTC and the freeze frame data will be stored until the vehicle is driven 40 times (driving pattern A) without the same malfunction recurring (except for Misfire and Fuel Injection System). For Misfire and Fuel Injection System, the DTC and freeze frame data will be stored until the vehicle is driven 80 times (driving pattern C) without the same malfunction recurring. The "TIME" in "SELF-DIAGNOSTIC RESULTS" mode of CONSULT-II will count the number of times the vehicle is driven. EC
- The 1st trip DTC is not displayed when the self-diagnosis results in "OK" for the 2nd trip. C

## SUMMARY CHART

Items	Fuel Injection System	Misfire	Other
MIL (goes off)	3 (pattern B)	3 (pattern B)	3 (pattern B)
DTC, Freeze Frame Data (no display)	80 (pattern C)	80 (pattern C)	40 (pattern A)
1st Trip DTC (clear)	1 (pattern C), *1	1 (pattern C), *1	1 (pattern B)
1st Trip Freeze Frame Data (clear)	*1, *2	*1, *2	1 (pattern B)

For details about patterns "B" and "C" under "Fuel Injection System" and "Misfire", see [EC-77](#) .

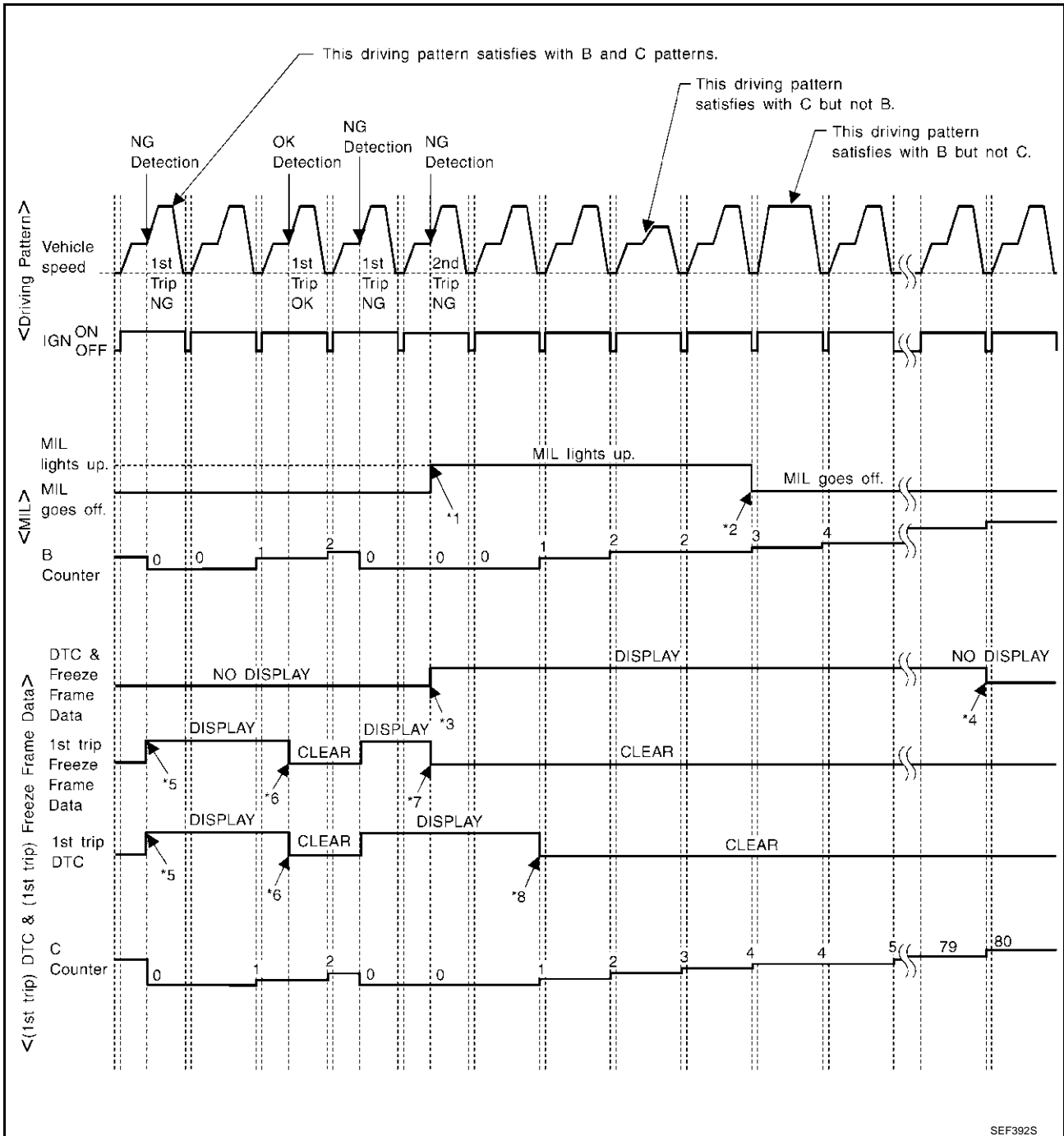
For details about patterns "A" and "B" under "Other", see [EC-79](#) .

\*1: Clear timing is at the moment OK is detected. G

\*2: Clear timing is when the same malfunction is detected in the 2nd trip. H

# ON BOARD DIAGNOSTIC (OBD) SYSTEM

## RELATIONSHIP BETWEEN MIL, DTC, 1ST TRIP DTC AND DRIVING PATTERNS FOR "MISFIRE" <EXHAUST QUALITY DETERIORATION>, "FUEL INJECTION SYSTEM"



\*1: When the same malfunction is detected in two consecutive trips, MIL will light up.

\*2: MIL will go off after vehicle is driven 3 times (pattern B) without any malfunctions.

\*3: When the same malfunction is detected in two consecutive trips, the DTC and the freeze frame data will be stored in ECM.

\*4: The DTC and the freeze frame data will not be displayed any longer after vehicle is driven 80 times (pattern A) without the same malfunction. (The DTC and the freeze frame data still remain in ECM.)

\*5: When a malfunction is detected for the first time, the 1st trip DTC and the 1st trip freeze frame data will be stored in ECM.

\*6: The 1st trip DTC and the 1st trip freeze frame data will be cleared at the moment OK is detected.

\*7: When the same malfunction is detected in the 2nd trip, the 1st trip freeze frame data will be cleared.

\*8: 1st trip DTC will be cleared when vehicle is driven once (pattern C) without the same malfunction after DTC is stored in ECM.

# ON BOARD DIAGNOSTIC (OBD) SYSTEM

## EXPLANATION FOR DRIVING PATTERNS FOR “MISFIRE <EXHAUST QUALITY DETERIORATION>”, “FUEL INJECTION SYSTEM”

### <Driving Pattern B>

Driving pattern B means the vehicle operation as follows:

All components and systems should be monitored at least once by the OBD system.

- The B counter will be cleared when the malfunction is detected once regardless of the driving pattern.
- The B counter will be counted up when driving pattern B is satisfied without any malfunction.
- The MIL will go off when the B counter reaches 3. (\*2 in “OBD SYSTEM OPERATION CHART”)

### <Driving Pattern C>

Driving pattern C means the vehicle operation as follows:

The following conditions should be satisfied at the same time:

Engine speed: (Engine speed in the freeze frame data)  $\pm 375$  rpm

Calculated load value: (Calculated load value in the freeze frame data)  $\times (1 \pm 0.1)$  [%]

Engine coolant temperature (T) condition:

- When the freeze frame data shows lower than 70°C (158°F), “T” should be lower than 70°C (158°F).
- When the freeze frame data shows higher than or equal to 70°C (158°F), “T” should be higher than or equal to 70°C (158°F).

Example:

If the stored freeze frame data is as follows:

Engine speed: 850 rpm, Calculated load value: 30%, Engine coolant temperature: 80°C (176°F)

To be satisfied with driving pattern C, the vehicle should run under the following conditions:

Engine speed: 475 - 1,225 rpm, Calculated load value: 27 - 33%, Engine coolant temperature: more than 70°C (158°F)

- The C counter will be cleared when the malfunction is detected regardless of vehicle conditions above.
- The C counter will be counted up when vehicle conditions above is satisfied without the same malfunction.
- The DTC will not be displayed after C counter reaches 80.
- The 1st trip DTC will be cleared when C counter is counted once without the same malfunction after DTC is stored in ECM.

A

EC

C

D

E

F

G

H

I

J

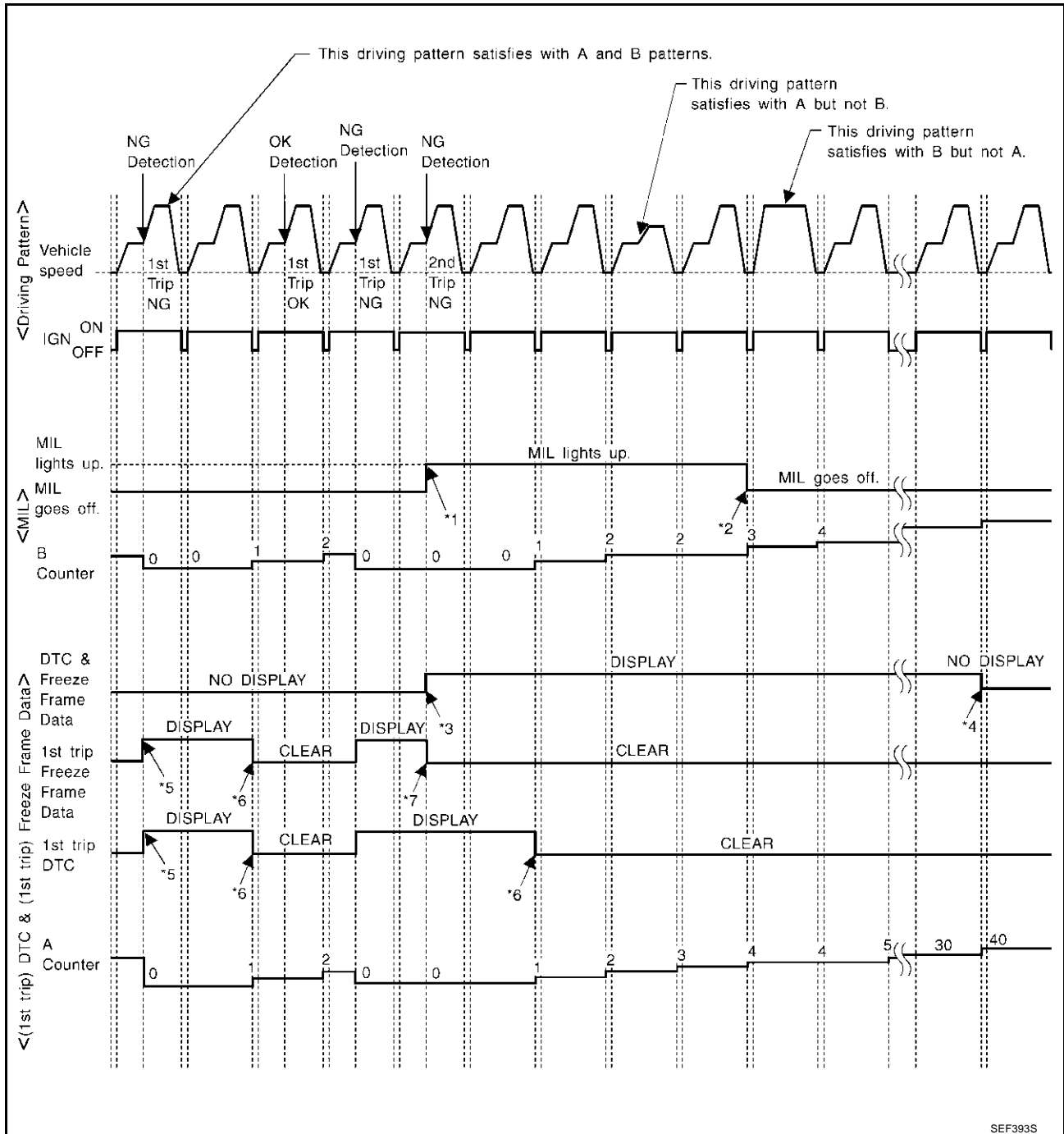
K

L

M

# ON BOARD DIAGNOSTIC (OBD) SYSTEM

## RELATIONSHIP BETWEEN MIL, DTC, 1ST TRIP DTC AND DRIVING PATTERNS EXCEPT FOR "MISFIRE <EXHAUST QUALITY DETERIORATION>", "FUEL INJECTION SYSTEM"



SEF393S

\*1: When the same malfunction is detected in two consecutive trips, MIL will light up.

\*2: MIL will go off after vehicle is driven 3 times (pattern B) without any malfunctions.

\*3: When the same malfunction is detected in two consecutive trips, the DTC and the freeze frame data will be stored in ECM.

\*4: The DTC and the freeze frame data will not be displayed any longer after vehicle is driven 40 times (pattern A) without the same malfunction. (The DTC and the freeze frame data still remain in ECM.)

\*5: When a malfunction is detected for the first time, the 1st trip DTC and the 1st trip freeze frame data will be stored in ECM.

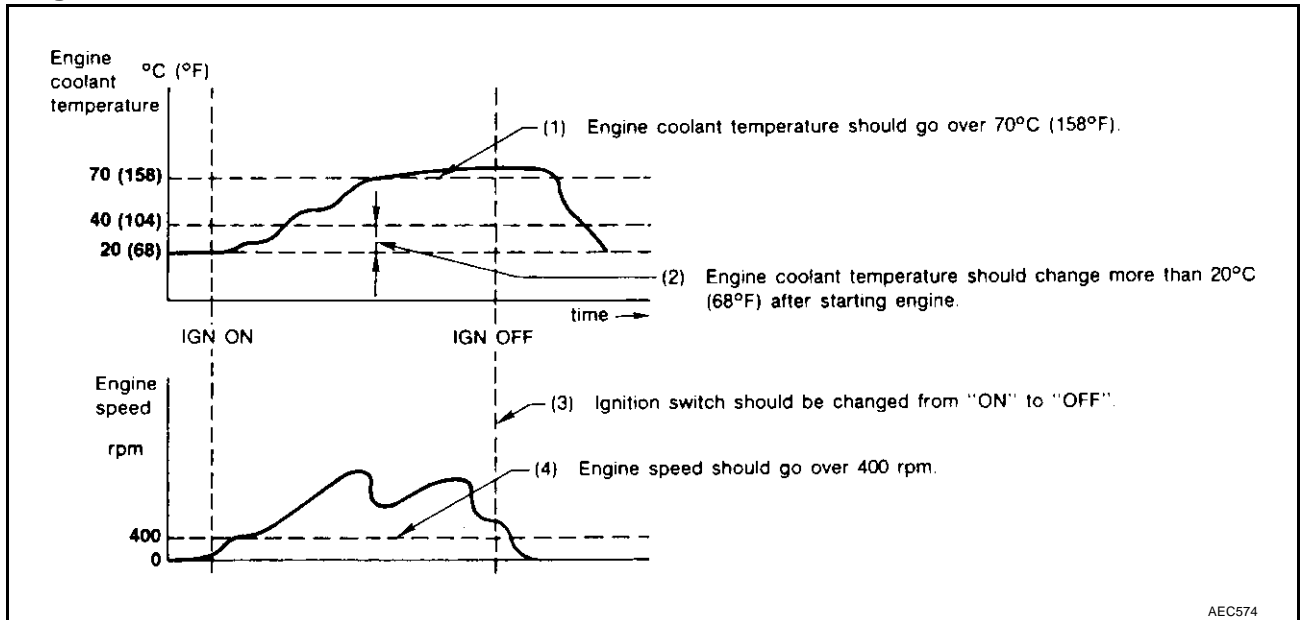
\*6: 1st trip DTC will be cleared after vehicle is driven once (pattern B) without the same malfunction.

\*7: When the same malfunction is detected in the 2nd trip, the 1st trip freeze frame data will be cleared.

# ON BOARD DIAGNOSTIC (OBD) SYSTEM

## EXPLANATION FOR DRIVING PATTERNS EXCEPT FOR "MISFIRE <EXHAUST QUALITY DETERIORATION>", "FUEL INJECTION SYSTEM"

### <Driving Pattern A>



- The A counter will be cleared when the malfunction is detected regardless of (1) - (4).
- The A counter will be counted up when (1) - (4) are satisfied without the same malfunction.
- The DTC will not be displayed after the A counter reaches 40.

### <Driving Pattern B>

Driving pattern B means the vehicle operation as follows:

All components and systems should be monitored at least once by the OBD system.

- The B counter will be cleared when the malfunction is detected once regardless of the driving pattern.
- The B counter will be counted up when driving pattern B is satisfied without any malfunctions.
- The MIL will go off when the B counter reaches 3 (\*2 in "OBD SYSTEM OPERATION CHART").

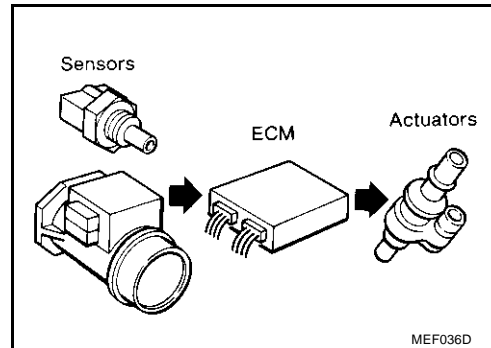
## TROUBLE DIAGNOSIS

PFP:00004

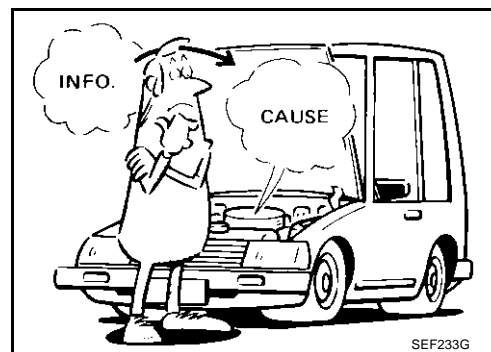
### Trouble Diagnosis Introduction INTRODUCTION

ABS000RV

The engine has an ECM to control major systems such as fuel control, ignition control, idle air control system, etc. The ECM accepts input signals from sensors and instantly drives actuators. It is essential that both input and output signals are proper and stable. At the same time, it is important that there are no malfunctions such as vacuum leaks, fouled spark plugs, or other malfunctions with the engine.



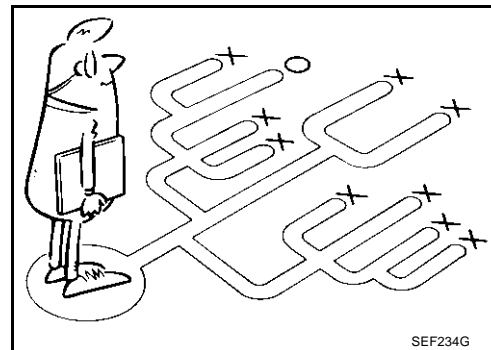
It is much more difficult to diagnose a incident that occurs intermittently rather than continuously. Most intermittent incidents are caused by poor electric connections or improper wiring. In this case, careful checking of suspected circuits may help prevent the replacement of good parts.



A visual check only may not find the cause of the incidents. A road test with CONSULT-II (or GST) or a circuit tester connected should be performed. Follow the "Work Flow" on [EC-81](#).

Before undertaking actual checks, take a few minutes to talk with a customer who approaches with a driveability complaint. The customer can supply good information about such incidents, especially intermittent ones. Find out what symptoms are present and under what conditions they occur. A "Diagnostic Worksheet" like the example on [EC-83](#) should be used.

Start your diagnosis by looking for "conventional" malfunctions first. This will help troubleshoot driveability malfunctions on an electronically controlled engine vehicle.

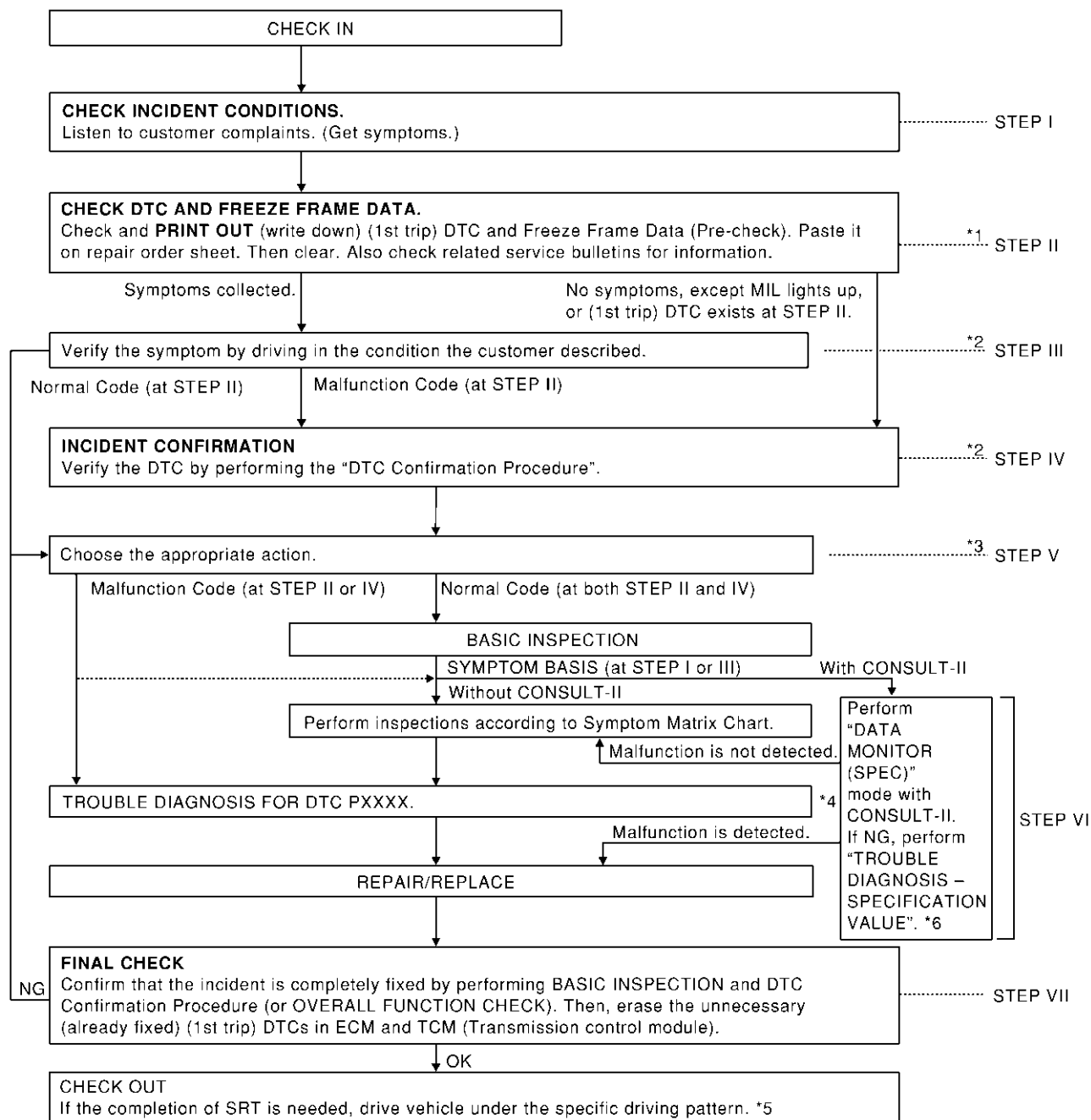




# TROUBLE DIAGNOSIS

## WORK FLOW

### Flow Chart



\*1 If time data of "SELF-DIAG RESULTS" is other than "0" or "[1t]", perform [EC-137. "TROUBLE DIAGNOSIS FOR INTERMITTENT INCIDENT"](#) .

\*4 If malfunctioning part cannot be detected, perform [EC-137. "TROUBLE DIAGNOSIS FOR INTERMITTENT INCIDENT"](#) .

\*2 If the incident cannot be verified, perform [EC-137. "TROUBLE DIAGNOSIS FOR INTERMITTENT INCIDENT"](#) .

\*5 [EC-66](#)

\*3 If the on board diagnostic system cannot be performed, check main power supply and ground circuit. Refer to [EC-138. "POWER SUPPLY CIRCUIT FOR ECM"](#) .

\*6 [EC-133](#)

PBIB1043E

# TROUBLE DIAGNOSIS

## Description for Work Flow

STEP	DESCRIPTION
STEP I	Get detailed information about the conditions and the environment when the incident/symptom occurred using the "DIAGNOSTIC WORK SHEET", <a href="#">EC-82</a> .
STEP II	Before confirming the concern, check and write down (print out using CONSULT-II or GST) the (1st trip) DTC and the (1st trip) freeze frame data, then erase the DTC and the data. (Refer to <a href="#">EC-69</a> .) The (1st trip) DTC and the (1st trip) freeze frame data can be used when duplicating the incident at STEP III & IV. If the incident cannot be verified, perform <a href="#">EC-137, "TROUBLE DIAGNOSIS FOR INTERMITTENT INCIDENT"</a> . Study the relationship between the cause, specified by (1st trip) DTC, and the symptom described by the customer. (The "Symptom Matrix Chart" will be useful. See <a href="#">EC-91</a> .) Also check related service bulletins for information.
STEP III	Try to confirm the symptom and under what conditions the incident occurs. The "DIAGNOSTIC WORK SHEET" and the freeze frame data are useful to verify the incident. Connect CONSULT-II to the vehicle in DATA MONITOR (AUTO TRIG) mode and check real time diagnosis results. If the incident cannot be verified, perform <a href="#">EC-137, "TROUBLE DIAGNOSIS FOR INTERMITTENT INCIDENT"</a> . If the malfunction code is detected, skip STEP IV and perform STEP V.
STEP IV	Try to detect the (1st trip) DTC by driving in (or performing) the "DTC Confirmation Procedure". Check and read the (1st trip) DTC and (1st trip) freeze frame data by using CONSULT-II or GST. During the (1st trip) DTC verification, be sure to connect CONSULT-II to the vehicle in DATA MONITOR (AUTO TRIG) mode and check real time diagnosis results. If the incident cannot be verified, perform <a href="#">EC-137, "TROUBLE DIAGNOSIS FOR INTERMITTENT INCIDENT"</a> . In case the "DTC Confirmation Procedure" is not available, perform the "Overall Function Check" instead. The (1st trip) DTC cannot be displayed by this check, however, this simplified "check" is an effective alternative. The "NG" result of the "Overall Function Check" is the same as the (1st trip) DTC detection.
STEP V	Take the appropriate action based on the results of STEP I through IV. If the malfunction code is indicated, proceed to TROUBLE DIAGNOSIS FOR DTC PXXXX. If the normal code is indicated, proceed to the BASIC INSPECTION. (Refer to <a href="#">EC-86</a> .) Then perform inspections according to the Symptom Matrix Chart. (Refer to <a href="#">EC-91</a> .)
STEP VI	Identify where to begin diagnosis based on the relationship study between symptom and possible causes. Inspect the system for mechanical binding, loose connectors or wiring damage using (tracing) "Harness Layouts". Gently shake the related connectors, components or wiring harness with CONSULT-II set in "DATA MONITOR (AUTO TRIG)" mode. Check the voltage of the related ECM terminals or monitor the output data from the related sensors with CONSULT-II. Refer to <a href="#">EC-103</a> , <a href="#">EC-127</a> . The "Diagnostic Procedure" in EC section contains a description based on open circuit inspection. A short circuit inspection is also required for the circuit check in the Diagnostic Procedure. For details, refer to "Circuit Inspection" in <a href="#">GI-27, "How to Perform Efficient Diagnosis for an Electrical Incident"</a> . Repair or replace the malfunction parts. If malfunctioning part cannot be detected, perform <a href="#">EC-137, "TROUBLE DIAGNOSIS FOR INTERMITTENT INCIDENT"</a> .
STEP VII	Once you have repaired the circuit or replaced a component, you need to run the engine in the same conditions and circumstances which resulted in the customer's initial complaint. Perform the "DTC Confirmation Procedure" and confirm the normal code [DTC No. P0000] is detected. If the incident is still detected in the final check, perform STEP VI by using a method different from the previous one. Before returning the vehicle to the customer, be sure to erase the unnecessary (already fixed) (1st trip) DTC in ECM and TCM (Transmission control module). (Refer to <a href="#">EC-69, "HOW TO ERASE EMISSION-RELATED DIAGNOSTIC INFORMATION"</a> and <a href="#">AT-37, "HOW TO ERASE DTC"</a> .)

## DIAGNOSTIC WORKSHEET

### Description

There are many operating conditions that lead to the malfunction of engine components. A good grasp of such conditions can make troubleshooting faster and more accurate.

In general, each customer feels differently about a incident. It is important to fully understand the symptoms or conditions for a customer complaint.

Utilize a diagnostic worksheet like the one on the next page in order to organize all the information for troubleshooting.

Some conditions may cause the MIL to come on steady or blink and DTC to be detected. Examples:

- Vehicle ran out of fuel, which caused the engine to misfire.

### KEY POINTS

**WHAT** ..... Vehicle & engine model  
**WHEN** ..... Date, Frequencies  
**WHERE**..... Road conditions  
**HOW** ..... Operating conditions,  
 Weather conditions,  
 Symptoms

SEF907L



# TROUBLE DIAGNOSIS

Priority	Detected items (DTC)
1	<ul style="list-style-type: none"> <li>● U1000 U1001 CAN communication line</li> <li>● P0101 P0102 P0103 Mass air flow sensor</li> <li>● P0112 P0113 P0127 Intake air temperature sensor</li> <li>● P0117 P0118 P0125 Engine coolant temperature sensor</li> <li>● P0128 Thermostat function</li> <li>● P0122 P0123 P0222 P0223 P1225 P1226 P2135 Throttle position sensor</li> <li>● P2122 P2123 P2127 P2128 P2138 Accelerator pedal position sensor</li> <li>● P0181 P0182 P0183 Fuel tank temperature sensor</li> <li>● P0327 P0328 Knock sensor</li> <li>● P0335 Crankshaft position sensor (POS)</li> <li>● P0340 P0345 Camshaft position sensor (PHASE)</li> <li>● P0460 P0461 P0462 Fuel level sensor</li> <li>● P0500 Vehicle speed sensor</li> <li>● P0605 ECM</li> <li>● P0705 Park/Neutral position (PNP) switch</li> <li>● P1229 Sensor power supply</li> <li>● P1610 - P1615 NATS</li> <li>● P1706 Park/Neutral position (PNP) switch</li> </ul>
2	<ul style="list-style-type: none"> <li>● P0031 P0032 P0051 P0052 Heated oxygen sensor 1 heater</li> <li>● P0037 P0038 P0057 P0058 Heated oxygen sensor 2 heater</li> <li>● P0132 P0133 P0134 P0152 P0153 P0154 P1143 P1144 P1163 P1164 Heated oxygen sensor 1</li> <li>● P0138 P0139 P0158 P0159 P1146 P1147 P1166 P1167 Heated oxygen sensor 2</li> <li>● P0441 EVAP control system purge flow monitoring</li> <li>● P0444 P0445 P1444 EVAP canister purge volume control solenoid valve</li> <li>● P0447 P1446 EVAP canister vent control valve</li> <li>● P0451 P0452 P0453 EVAP control system pressure sensor</li> <li>● P0550 Power steering pressure sensor</li> <li>● P0710 P0720 P0725 P0740 P0744 P0745 P1705 P1716 P1730 P1752 P1754 P1757 P1759 P1762 P1764 P1767 P1769 P1772 P1774 A/T related sensors, solenoid valves and switches</li> <li>● P1065 ECM power supply</li> <li>● P1111 P1136 Intake valve timing control solenoid valve</li> <li>● P1122 Electric throttle control function</li> <li>● P1124 P1126 P1128 Electric throttle control actuator</li> <li>● P1217 Engine over temperature (OVERHEAT)</li> <li>● P1805 Brake switch</li> </ul>
3	<ul style="list-style-type: none"> <li>● P0011 P0021 Intake valve timing control</li> <li>● P0171 P0172 P0174 P0175 Fuel injection system function</li> <li>● P0300 - P0306 Misfire</li> <li>● P0420 P0430 Three way catalyst function</li> <li>● P0442 P0455 P0456 EVAP control system</li> <li>● P0506 P0507 Idle speed control system</li> <li>● P1121 Electric throttle control actuator</li> <li>● P1148 P1168 Closed loop control</li> <li>● P1211 TCS control unit</li> <li>● P1212 TCS communication line</li> <li>● P1564 ASCD steering switch</li> <li>● P1572 ASCD brake switch</li> <li>● P1574 ASCD vehicle speed sensor</li> </ul>

# TROUBLE DIAGNOSIS

## Fail-safe Chart

ABS000RX

When the DTC listed below is detected, the ECM enters fail-safe mode and the MIL lights up.

DTC No.	Detected items	Engine operating condition in fail-safe mode	
P0102 P0103	Mass air flow sensor circuit	Engine speed will not rise more than 2,400 rpm due to the fuel cut.	
P0117 P0118	Engine coolant temperature sensor circuit	Engine coolant temperature will be determined by ECM based on the time after turning ignition switch "ON" or "START". CONSULT-II displays the engine coolant temperature decided by ECM.	
		Condition	Engine coolant temperature decided (CONSULT-II display)
		Just as ignition switch is turned ON or Start	40°C (104°F)
		More than approx. 4 minutes after ignition ON or Start	80°C (176°F)
		Except as shown above	40 - 80°C (104 - 176°F) (Depends on the time)
		When the fail-safe system for engine coolant temperature sensor is activated, the cooling fan operates while engine is running.	
P0122 P0123 P0222 P0223 P2135	Throttle position sensor	The ECM controls the electric throttle control actuator in regulating the throttle opening in order for the idle position to be within +10 degrees. The ECM regulates the opening speed of the throttle valve to be slower than the normal condition. So, the acceleration will be poor.	
P1121	Electric throttle control actuator	(When electric throttle control actuator does not function properly due to the return spring malfunction:) ECM controls the electric throttle actuator by regulating the throttle opening around the idle position. The engine speed will not rise more than 2,000 rpm.	
		(When throttle valve opening angle in fail-safe mode is not in specified range:) ECM controls the electric throttle control actuator by regulating the throttle opening to 20 degrees or less.	
		(When ECM detects the throttle valve is stuck open:) While the vehicle is driving, it slows down gradually by fuel cut. After the vehicle stops, the engine stalls. The engine can restart in N or P position, and engine speed will not exceed 1,000 rpm or more.	
P1122	Electric throttle control function	ECM stops the electric throttle control actuator control, throttle valve is maintained at a fixed opening (approx. 5 degrees) by the return spring.	
P1124 P1126	Throttle control motor relay	ECM stops the electric throttle control actuator control, throttle valve is maintained at a fixed opening (approx. 5 degrees) by the return spring.	
P1128	Throttle control motor	ECM stops the electric throttle control actuator control, throttle valve is maintained at a fixed opening (approx. 5 degrees) by the return spring.	
P1229	Sensor power supply	ECM stops the electric throttle control actuator control, throttle valve is maintained at a fixed opening (approx. 5 degrees) by the return spring.	
P2122 P2123 P2127 P2128 P2138	Accelerator pedal position sensor	The ECM controls the electric throttle control actuator in regulating the throttle opening in order for the idle position to be within +10 degrees. The ECM regulates the opening speed of the throttle valve to be slower than the normal condition. So, the acceleration will be poor.	

- When there is an open circuit on MIL circuit, the ECM cannot warn the driver by lighting MIL up when there is malfunction on engine control system.  
Therefore, when electrical controlled throttle and part of ECM related diagnoses are continuously detected as NG for 5 trips, ECM warns the driver that engine control system malfunctions and MIL circuit is open by means of operating fail-safe function.  
The fail-safe function also operates when above diagnoses except MIL circuit are detected and demands the driver to repair the malfunction.

Engine operating condition in fail-safe mode	Engine speed will not rise more than 2,500 rpm due to the fuel cut
--	--

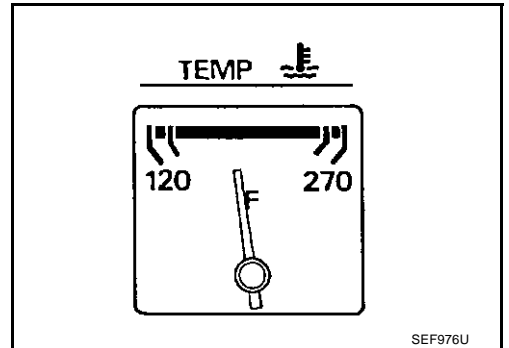
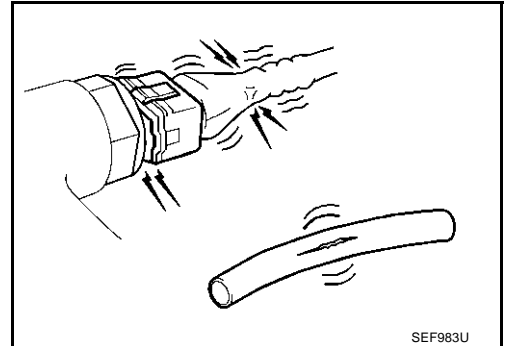
# TROUBLE DIAGNOSIS

ABS000RY

## Basic Inspection

### 1. INSPECTION START

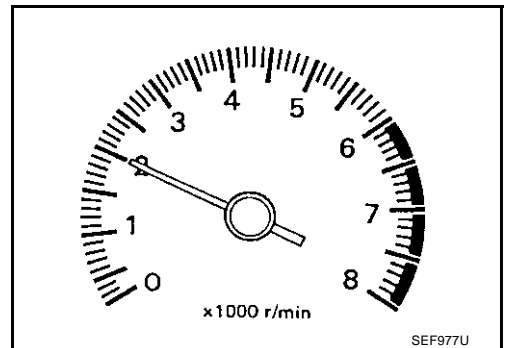
1. Check service records for any recent repairs that may indicate a related malfunction, or a current need for scheduled maintenance.
2. Open engine hood and check the following:
  - Harness connectors for improper connections
  - Wiring harness for improper connections, pinches and cut
  - Vacuum hoses for splits, kinks and improper connections
  - Hoses and ducts for leaks
  - Air cleaner clogging
  - Gasket
3. Confirm that electrical or mechanical loads are not applied.
  - Headlamp switch is OFF.
  - Air conditioner switch is OFF.
  - Rear window defogger switch is OFF.
  - Steering wheel is in the straight-ahead position, etc.
4. Start engine and warm it up until engine coolant temperature indicator points the middle of gauge. Ensure engine stays below 1,000 rpm.



5. Run engine at about 2,000 rpm for about 2 minutes under no-load.
6. Make sure that no DTC is displayed with CONSULT-II or GST.

#### OK or NG

- OK >> GO TO 3.  
NG >> GO TO 2.



### 2. REPAIR OR REPLACE

Repair or replace components as necessary according to corresponding "Diagnostic Procedure".

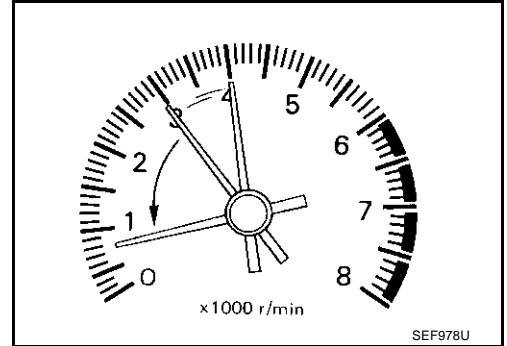
>> GO TO 3.

# TROUBLE DIAGNOSIS

## 3. CHECK TARGET IDLE SPEED

### With CONSULT-II

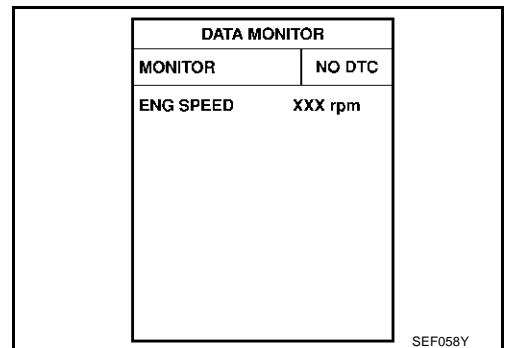
1. Run engine at about 2,000 rpm for about 2 minutes under no-load.
2. Rev engine (2,000 to 3,000 rpm) two or three times under no-load, then run engine at idle speed for about 1 minute.



3. Read idle speed in "DATA MONITOR" mode with CONSULT-II.

**A/T:** 650 ± 50 rpm (in "P" or "N" position)

**M/T:** 650 ± 50 rpm (in "N" position)



A screenshot of the CONSULT-II DATA MONITOR screen. The screen is divided into two columns: 'MONITOR' and 'NO DTC'. Under 'MONITOR', it displays 'ENG SPEED'. Under 'NO DTC', it displays 'XXX rpm'. The text 'SEF058Y' is visible in the bottom right corner of the screen image.

DATA MONITOR	
MONITOR	NO DTC
ENG SPEED	XXX rpm

### Without CONSULT-II

1. Run engine at about 2,000 rpm for about 2 minutes under no-load.
2. Rev engine (2,000 to 3,000 rpm) two or three times under no-load, then run engine at idle speed for about 1 minute.
3. Check idle speed.

**A/T:** 650 ± 50 rpm (in "P" or "N" position)

**M/T:** 650 ± 50 rpm (in "N" position)

### OK or NG

OK >> GO TO 10.

NG >> GO TO 4.

## 4. PERFORM ACCELERATOR PEDAL RELEASED POSITION LEARNING

1. Stop engine.
2. Perform [EC-50, "Accelerator Pedal Released Position Learning"](#).

>> GO TO 5.

## 5. PERFORM THROTTLE VALVE CLOSED POSITION LEARNING

Perform [EC-51, "Throttle Valve Closed Position Learning"](#).

>> GO TO 6.

# TROUBLE DIAGNOSIS

---

## 6. PERFORM IDLE AIR VOLUME LEARNING

---

Refer to [EC-51, "Idle Air Volume Learning"](#) .

Is Idle Air Volume Learning carried out successfully?

YES or NO

YES >> GO TO 7.

NO >> 1. Follow the instruction of "Idle Air Volume Learning".

2. GO TO 4.

---

## 7. CHECK TARGET IDLE SPEED AGAIN

---

 **With CONSULT-II**

1. Start engine and warm it up to normal operating temperature.
2. Read idle speed in "DATA MONITOR" mode with CONSULT-II.

**A/T: 650 ± 50 rpm (in "P" or "N" position)**

**M/T: 650 ± 50 rpm (in "N" position)**

 **Without CONSULT-II**

1. Start engine and warm it up to normal operating temperature.
2. Check idle speed.

**A/T: 650 ± 50 rpm (in "P" or "N" position)**

**M/T: 650 ± 50 rpm (in "N" position)**

OK or NG

OK >> GO TO 10.

NG >> GO TO 8.

---

## 8. DETECT MALFUNCTIONING PART

---

Check the following.

- Check camshaft position sensor (PHASE) and circuit. Refer to [EC-310](#) .
- Check crankshaft position sensor (POS) and circuit. Refer to [EC-304](#) .

OK or NG

OK >> GO TO 9.

NG >> 1. Repair or replace.

2. GO TO 4.

---

## 9. CHECK ECM FUNCTION

---

1. Substitute another known-good ECM to check ECM function. (ECM may be the cause of a incident, but this is the rarely the case.)
2. Perform initialization of NVIS (NATS) system and registration of NVIS (NATS) ignition key IDs. Refer to [EC-71, "NVIS \(Nissan Vehicle Immobilizer System — NATS\)"](#) .

>> GO TO 4.



# TROUBLE DIAGNOSIS

---

## 10. CHECK IGNITION TIMING

---

1. Run engine at idle.
2. Check ignition timing with a timing light.

**A/T:** 15 ± 5° BTDC (in "P" or "N" position)

**M/T:** 15 ± 5° BTDC (in "N" position)

OK or NG

OK >> INSPECTION END

NG >> GO TO 11.

---

## 11. PERFORM ACCELERATOR PEDAL RELEASED POSITION LEARNING

---

1. Stop engine.
2. Perform [EC-50, "Accelerator Pedal Released Position Learning"](#).

>> GO TO 12.

---

## 12. PERFORM THROTTLE VALVE CLOSED POSITION LEARNING

---

Perform [EC-51, "Throttle Valve Closed Position Learning"](#).

>> GO TO 13.

---

## 13. PERFORM IDLE AIR VOLUME LEARNING

---

Refer to [EC-51, "Idle Air Volume Learning"](#).

**Is Idle Air Volume Learning carried out successfully?**

YES or NO

YES >> GO TO 14.

NO >> 1. Follow the instruction of "Idle Air Volume Learning".  
2. GO TO 4.

---

## 14. CHECK TARGET IDLE SPEED AGAIN

---

 **With CONSULT-II**

1. Start engine and warm it up to normal operating temperature.
2. Read idle speed in "DATA MONITOR" mode with CONSULT-II.

**A/T:** 650 ± 50 rpm (in "P" or "N" position)

**M/T:** 650 ± 50 rpm (in "N" position)

 **Without CONSULT-II**

1. Start engine and warm it up to normal operating temperature.
2. Check idle speed.

**A/T:** 650 ± 50 rpm (in "P" or "N" position)

**M/T:** 650 ± 50 rpm (in "N" position)

OK or NG

OK >> GO TO 15.

NG >> GO TO 17.

A

EC

C

D

E

F

G

H

I

J

K

L

M

## TROUBLE DIAGNOSIS

---

### 15. CHECK IGNITION TIMING AGAIN

---

1. Run engine at idle.
2. Check ignition timing with a timing light.

**A/T: 15 ± 5° BTDC (in "P" or "N" position)**

**M/T: 15 ± 5° BTDC (in "N" position)**

OK or NG

OK >> **INSPECTION END**

NG >> GO TO 16.

### 16. CHECK TIMING CHAIN INSTALLATION

---

Check timing chain installation. Refer to [EM-49, "TIMING CHAIN"](#) .

OK or NG

OK >> GO TO 17.

NG >> 1. Repair the timing chain installation.  
2. GO TO 4.

### 17. DETECT MALFUNCTIONING PART

---

Check the following.

- Check camshaft position sensor (PHASE) and circuit. Refer to [EC-310](#) .
- Check crankshaft position sensor (POS) and circuit. Refer to [EC-304](#) .

OK or NG

OK >> GO TO 18.

NG >> 1. Repair or replace.  
2. GO TO 4.

### 18. CHECK ECM FUNCTION

---

1. Substitute another known-good ECM to check ECM function. (ECM may be the cause of a incident, but this is the rarely the case.)
2. Perform initialization of NVIS (NATS) system and registration of NVIS (NATS) ignition key IDs. Refer to [EC-71, "NVIS \(Nissan Vehicle Immobilizer System — NATS\)"](#) .

>> GO TO 4.

# TROUBLE DIAGNOSIS

## Symptom Matrix Chart SYSTEM — BASIC ENGINE CONTROL SYSTEM

ABS000RZ

		SYMPTOM												Reference page	
		HARD/NO START/RESTART (EXCP. HA)	ENGINE STALL	HESITATION/SURGING/FLAT SPOT	SPARK KNOCK/DETONATION	LACK OF POWER/POOR ACCELERATION	HIGH IDLE/LOW IDLE	ROUGH IDLE/HUNTING	IDLING VIBRATION	SLOW/NO RETURN TO IDLE	OVERHEATS/WATER TEMPERATURE HIGH	EXCESSIVE FUEL CONSUMPTION	EXCESSIVE OIL CONSUMPTION		BATTERY DEAD (UNDER CHARGE)
Warranty symptom code		AA	AB	AC	AD	AE	AF	AG	AH	AJ	AK	AL	AM	HA	
Fuel	Fuel pump circuit	1	1	2	3	2		2	2			3		2	<a href="#">EC-599</a>
	Fuel pressure regulator system	3	3	4	4	4	4	4	4	4		4			<a href="#">EC-53</a>
	Injector circuit	1	1	2	3	2		2	2			2			<a href="#">EC-593</a>
	Evaporative emission system	3	3	4	4	4	4	4	4	4	4	4			<a href="#">EC-633</a>
Air	Positive crankcase ventilation system	3	3	4	4	4	4	4	4	4		4	1		<a href="#">EC-645</a>
	Incorrect idle speed adjustment						1	1	1	1		1			<a href="#">EC-40</a>
	Electric throttle control actuator	1	1	2	3	3	2	2	2	2		2		2	<a href="#">EC-418</a> , <a href="#">EC-420</a>
Ignition	Incorrect ignition timing adjustment	3	3	1	1	1		1	1			1			<a href="#">EC-40</a>
	Ignition circuit	1	1	2	2	2		2	2			2			<a href="#">EC-581</a>
Main power supply and ground circuit		2	2	3	3	3		3	3		2	3			<a href="#">EC-138</a>
Mass air flow sensor circuit		1			2										<a href="#">EC-167</a> , <a href="#">EC-175</a>
Engine coolant temperature sensor circuit							3			3					<a href="#">EC-187</a> , <a href="#">EC-199</a>
Heated oxygen sensor 1 circuit			1	2	3	2		2	2			2			<a href="#">EC-207</a> , <a href="#">EC-217</a> , <a href="#">EC-230</a> , <a href="#">EC-436</a> , <a href="#">EC-442</a>
Throttle position sensor circuit							2			2					<a href="#">EC-192</a> , <a href="#">EC-286</a> , <a href="#">EC-488</a> , <a href="#">EC-490</a> , <a href="#">EC-566</a>
Accelerator pedal position sensor circuit				3	2	1									<a href="#">EC-492</a> , <a href="#">EC-552</a> , <a href="#">EC-559</a> , <a href="#">EC-573</a>
Knock sensor circuit				2								3			<a href="#">EC-299</a>
Crankshaft position sensor (POS) circuit		2	2												<a href="#">EC-304</a>
Camshaft position sensor (PHASE) circuit		3	2												<a href="#">EC-310</a>
Vehicle speed signal circuit			2	3		3						3			<a href="#">EC-393</a>
Power steering pressure sensor circuit			2					3	3						<a href="#">EC-399</a>

# TROUBLE DIAGNOSIS

	SYMPTOM													Reference page
	HARD/NO START/RESTART (EXCP. HA)	ENGINE STALL	HESITATION/SURGING/FLAT SPOT	SPARK KNOCK/DETONATION	LACK OF POWER/POOR ACCELERATION	HIGH IDLE/LOW IDLE	ROUGH IDLE/HUNTING	IDLING VIBRATION	SLOW/NO RETURN TO IDLE	OVERHEATS/WATER TEMPERATURE HIGH	EXCESSIVE FUEL CONSUMPTION	EXCESSIVE OIL CONSUMPTION	BATTERY DEAD (UNDER CHARGE)	
Warranty symptom code	AA	AB	AC	AD	AE	AF	AG	AH	AJ	AK	AL	AM	HA	
ECM	2	2	3	3	3	3	3	3	3	3	3			<a href="#">EC-404</a> , <a href="#">EC-407</a>
Intake valve timing control solenoid valve circuit		3	2		1	3	2	2	3		3			<a href="#">EC-411</a>
PNP switch circuit			3		3		3	3			3			<a href="#">EC-538</a>
Refrigerant pressure sensor circuit		2				3			3		4			<a href="#">EC-606</a>
Electrical load signal circuit							3							<a href="#">EC-611</a>
Air conditioner circuit	2	2	3	3	3	3	3	3	3		3		2	<a href="#">ATC-43</a>
VDC/TCS/ABS control unit ABS actuator and electric unit (control unit)			4											<a href="#">BRC-53</a> or <a href="#">BRC-101</a>

1 - 6: The numbers refer to the order of inspection.  
(continued on next page)

## SYSTEM — ENGINE MECHANICAL & OTHER

	SYMPTOM													Reference page
	HARD/NO START/RESTART (EXCP. HA)	ENGINE STALL	HESITATION/SURGING/FLAT SPOT	SPARK KNOCK/DETONATION	LACK OF POWER/POOR ACCELERATION	HIGH IDLE/LOW IDLE	ROUGH IDLE/HUNTING	IDLING VIBRATION	SLOW/NO RETURN TO IDLE	OVERHEATS/WATER TEMPERATURE HIGH	EXCESSIVE FUEL CONSUMPTION	EXCESSIVE OIL CONSUMPTION	BATTERY DEAD (UNDER CHARGE)	
Warranty symptom code	AA	AB	AC	AD	AE	AF	AG	AH	AJ	AK	AL	AM	HA	
Fuel	Fuel tank	5												<a href="#">FL-11</a>
	Fuel piping		5	5	5		5	5			5			<a href="#">EM-34</a>
	Vapor lock	5												—
	Valve deposit		5	5	5		5	5			5			—
	Poor fuel (Heavy weight gasoline, Low octane)		5	5	5	5		5	5			5		

# TROUBLE DIAGNOSIS

		SYMPTOM												Reference page	
		HARD/NO START/RESTART (EXCP. HA)	ENGINE STALL	HESITATION/SURGING/FLAT SPOT	SPARK KNOCK/DETONATION	LACK OF POWER/POOR ACCELERATION	HIGH IDLE/LOW IDLE	ROUGH IDLE/HUNTING	IDLING VIBRATION	SLOW/NO RETURN TO IDLE	OVERHEATS/WATER TEMPERATURE HIGH	EXCESSIVE FUEL CONSUMPTION	EXCESSIVE OIL CONSUMPTION		BATTERY DEAD (UNDER CHARGE)
Warranty symptom code		AA	AB	AC	AD	AE	AF	AG	AH	AJ	AK	AL	AM	HA	
Air	Air duct														<a href="#">EM-15</a>
	Air cleaner														<a href="#">EM-15</a>
	Air leakage from air duct (Mass air flow sensor — electric throttle control actuator)		5	5		5		5	5			5			<a href="#">EM-15</a>
	Electric throttle control actuator	5			5		5			5					<a href="#">EM-17</a>
	Air leakage from intake manifold/ Collector/Gasket														<a href="#">EM-17</a> , <a href="#">EM-21</a>
Cranking	Battery	1	1	1		1		1	1					1	<a href="#">SC-4</a>
	Generator circuit														<a href="#">SC-21</a>
	Starter circuit	3										1			<a href="#">SC-10</a>
	Signal plate	6													<a href="#">EM-95</a>
	PNP switch	4													<a href="#">AT-110</a> or <a href="#">MT-12</a>
Engine	Cylinder head	5	5	5	5	5		5	5			5			<a href="#">EM-79</a>
	Cylinder head gasket										4		3		
	Cylinder block														
	Piston												4		
	Piston ring														
	Connecting rod	6	6	6	6	6		6	6			6			<a href="#">EM-95</a>
	Bearing														
	Crankshaft														
Valve mechanism	Timing chain														<a href="#">EM-49</a>
	Camshaft														<a href="#">EM-65</a>
	Intake valve timing control	5	5	5	5	5		5	5			5		<a href="#">EM-49</a>	
	Intake valve														
	Exhaust valve												3		<a href="#">EM-79</a>
Exhaust	Exhaust manifold/Tube/Muffler/ Gasket	5	5	5	5	5		5	5			5			<a href="#">EM-23</a> , <a href="#">EX-3</a>
	Three way catalyst														
Lubrication	Oil pan/Oil strainer/Oil pump/Oil filter/Oil gallery/Oil cooler	5	5	5	5	5		5	5			5			<a href="#">EM-26</a> , <a href="#">LU-12</a> , <a href="#">LU-9</a> , <a href="#">LU-10</a>
	Oil level (Low)/Filthy oil														<a href="#">LU-6</a>

A  
EC  
C  
D  
E  
F  
G  
H  
I  
J  
K  
L  
M

# TROUBLE DIAGNOSIS

		SYMPTOM												Reference page	
		HARD/NO START/RESTART (EXCP. HA)	ENGINE STALL	HESITATION/SURGING/FLAT SPOT	SPARK KNOCK/DETONATION	LACK OF POWER/POOR ACCELERATION	HIGH IDLE/LOW IDLE	ROUGH IDLE/HUNTING	IDLING VIBRATION	SLOW/NO RETURN TO IDLE	OVERHEATS/WATER TEMPERATURE HIGH	EXCESSIVE FUEL CONSUMPTION	EXCESSIVE OIL CONSUMPTION		BATTERY DEAD (UNDER CHARGE)
Warranty symptom code		AA	AB	AC	AD	AE	AF	AG	AH	AJ	AK	AL	AM	HA	
Cooling	Radiator/Hose/Radiator filler cap														<a href="#">CO-11</a> , <a href="#">CO-14</a>
	Thermostat									5					<a href="#">CO-23</a>
	Water pump	5	5	5	5	5		5	5		4	5			<a href="#">CO-19</a>
	Water gallery														<a href="#">CO-24</a>
	Coolant level (Low)/Contaminated coolant										5				
NVIS (NISSAN Vehicle Immobilizer System — NATS)		1	1												<a href="#">EC-71</a> or <a href="#">BL-121</a>

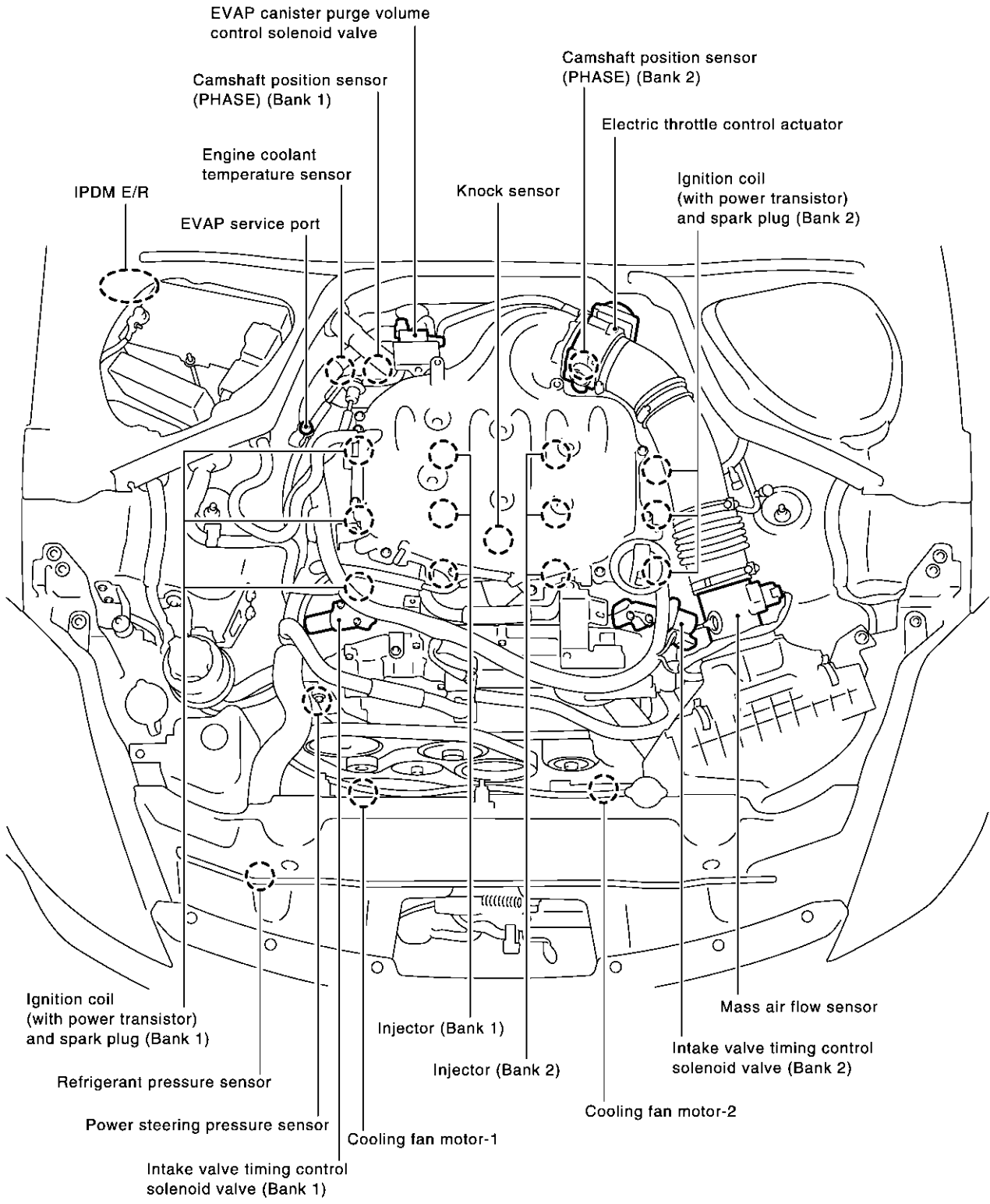
1 - 6: The numbers refer to the order of inspection.

# TROUBLE DIAGNOSIS

## Engine Control Component Parts Location

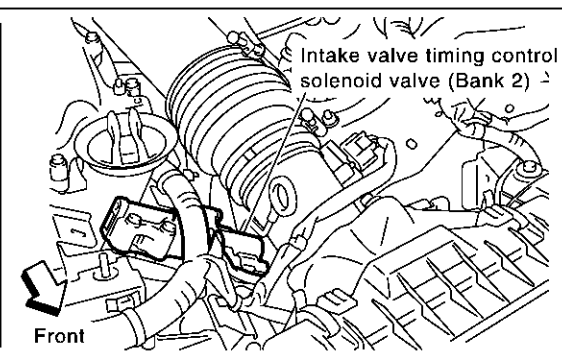
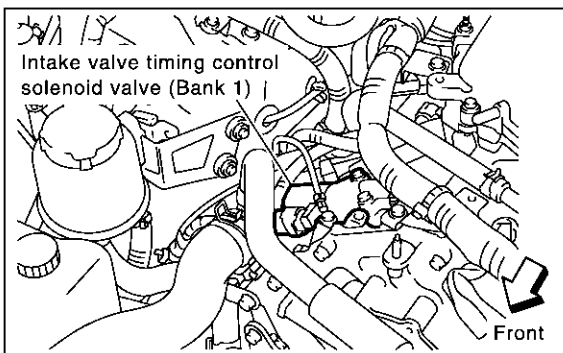
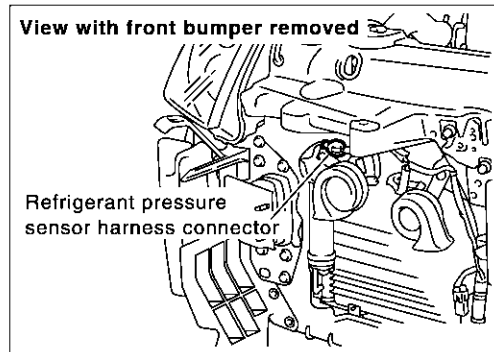
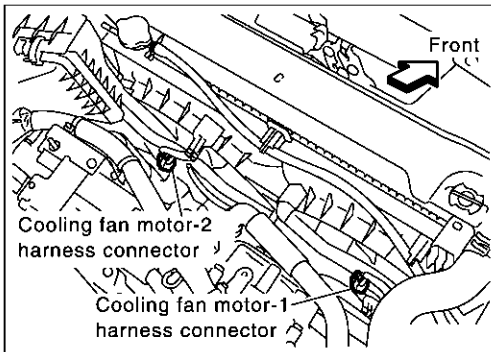
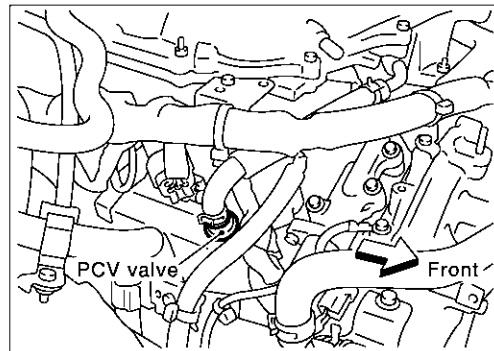
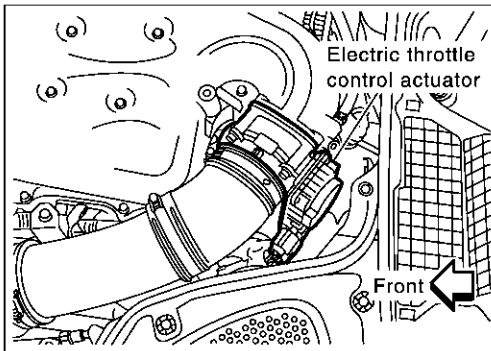
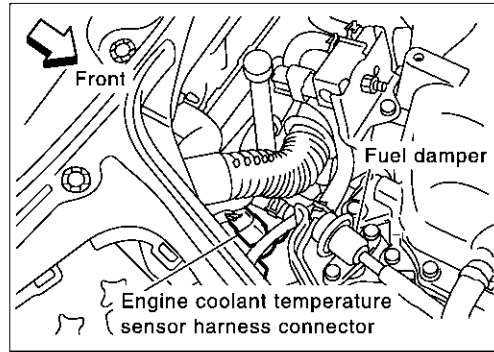
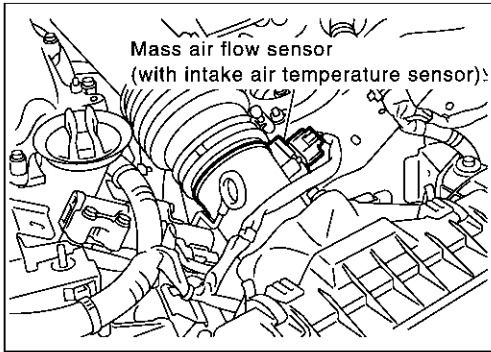
ABS000S0

A  
EC  
C  
D  
E  
F  
G  
H  
I  
J  
K  
L  
M



PBIB1061E

# TROUBLE DIAGNOSIS

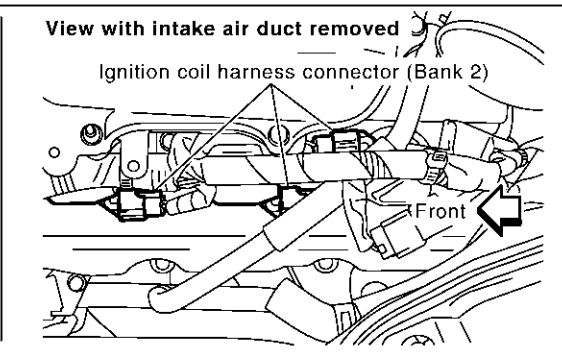
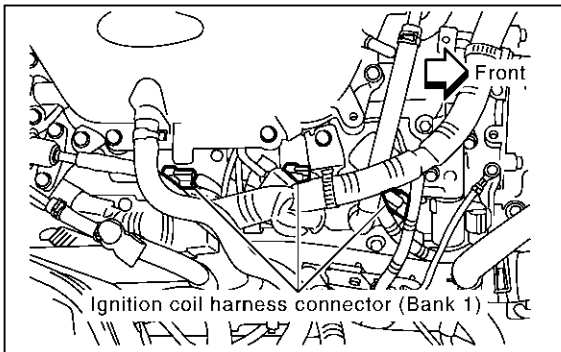
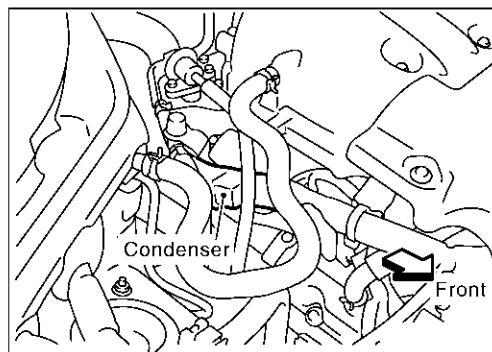
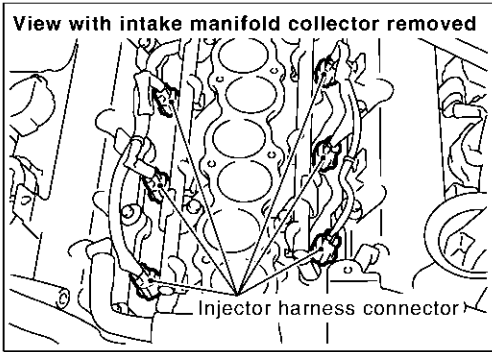
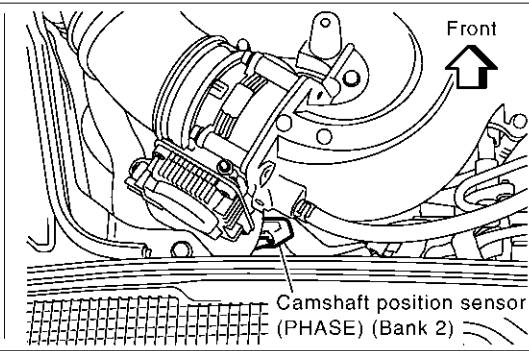
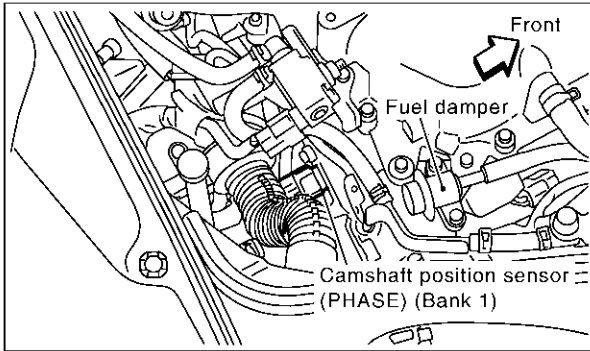
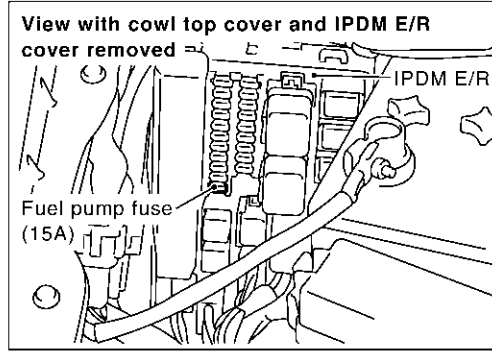
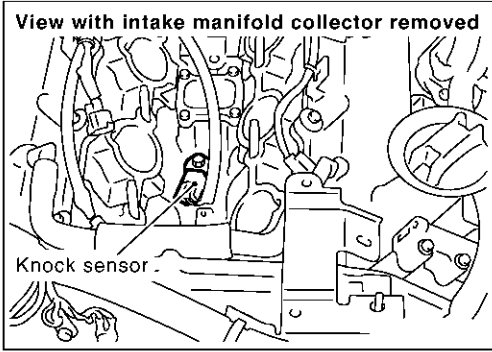


PBIB1062E



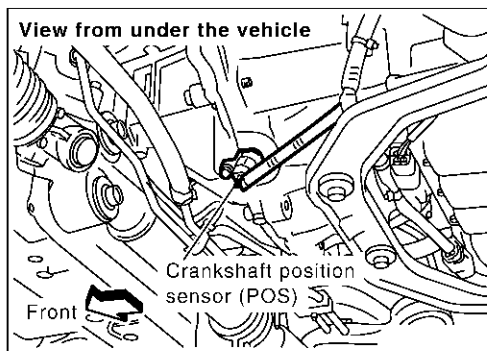
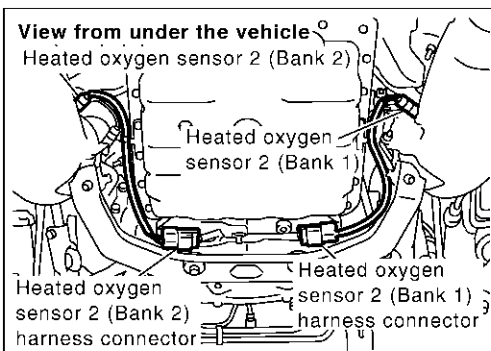
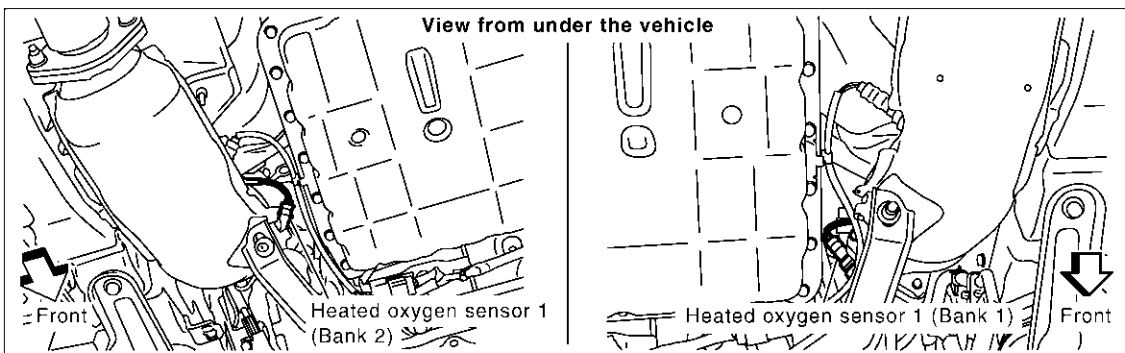
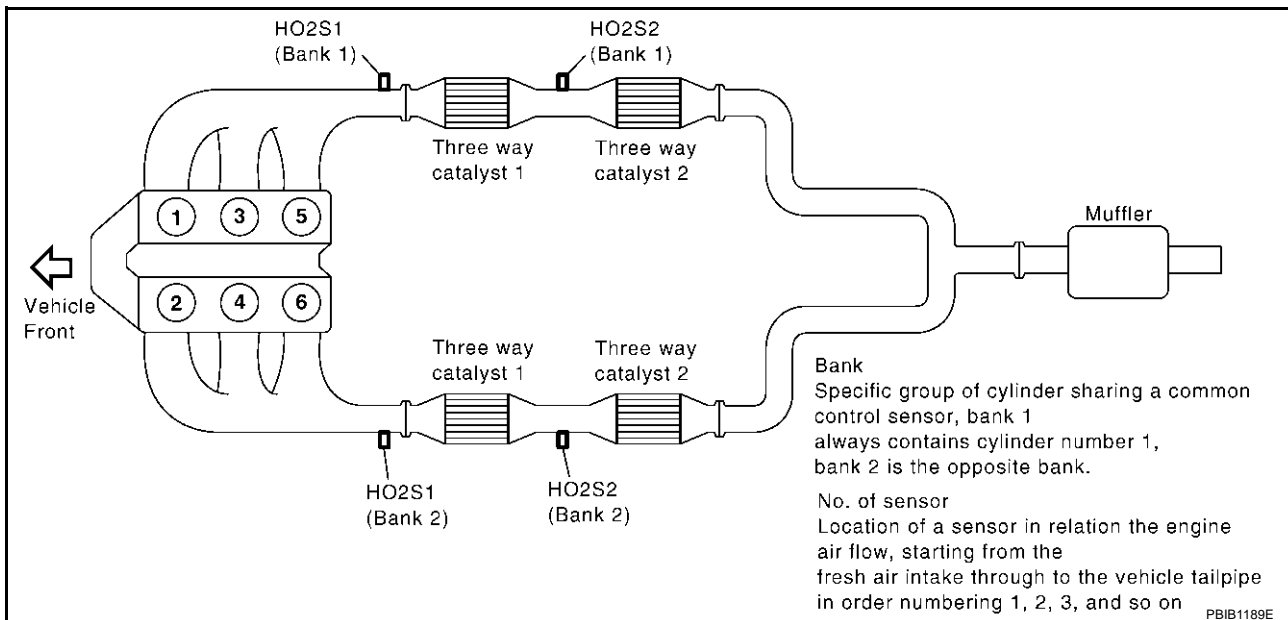
# TROUBLE DIAGNOSIS

A  
EC  
C  
D  
E  
F  
G  
H  
I  
J  
K  
L  
M



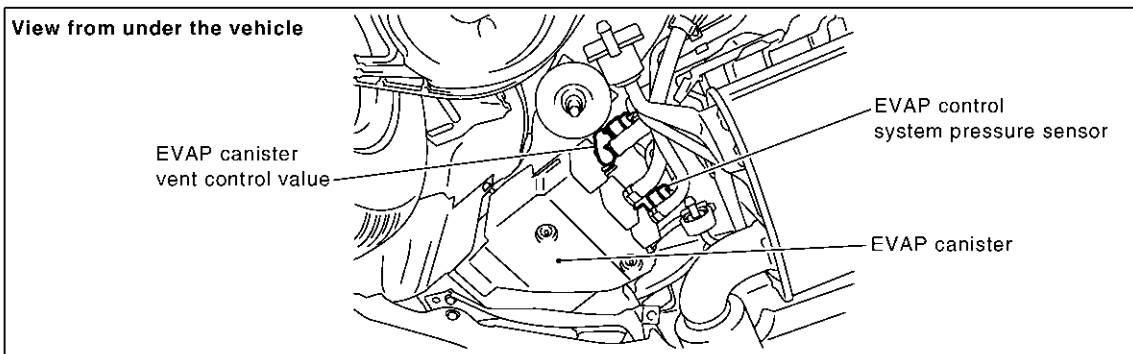
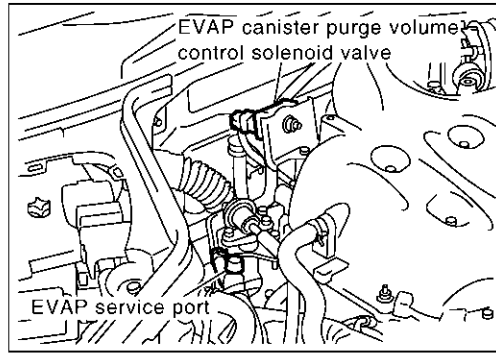
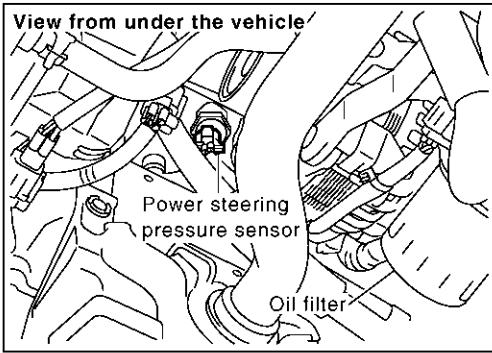
PBIB1663E

# TROUBLE DIAGNOSIS



PBIB1190E

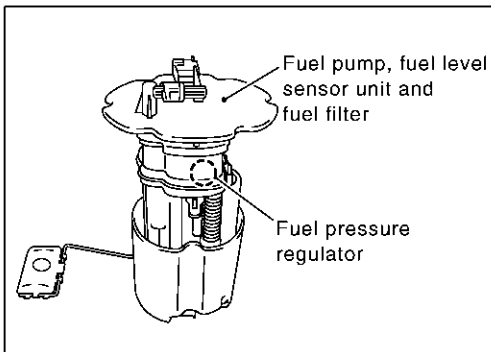
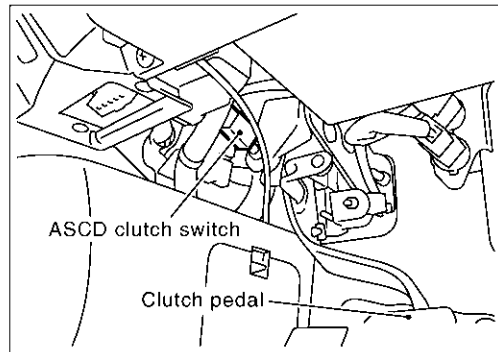
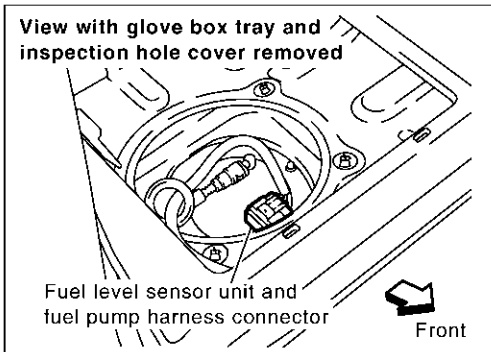
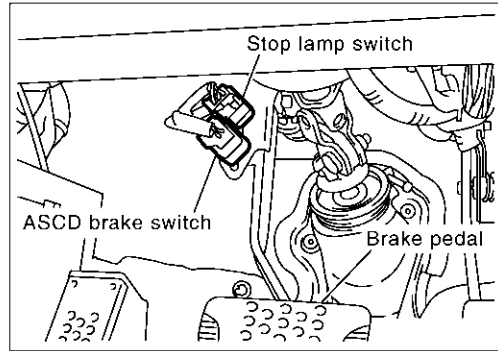
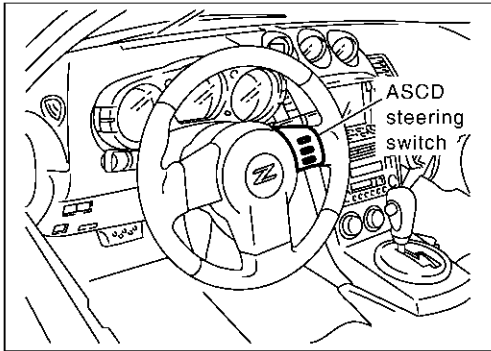
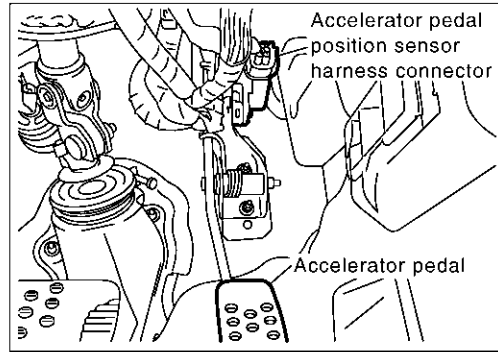
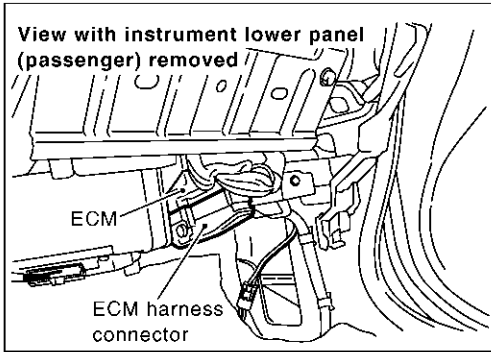
# TROUBLE DIAGNOSIS



A  
EC  
C  
D  
E  
F  
G  
H  
I  
J  
K  
L  
M

PBIB1064E

# TROUBLE DIAGNOSIS

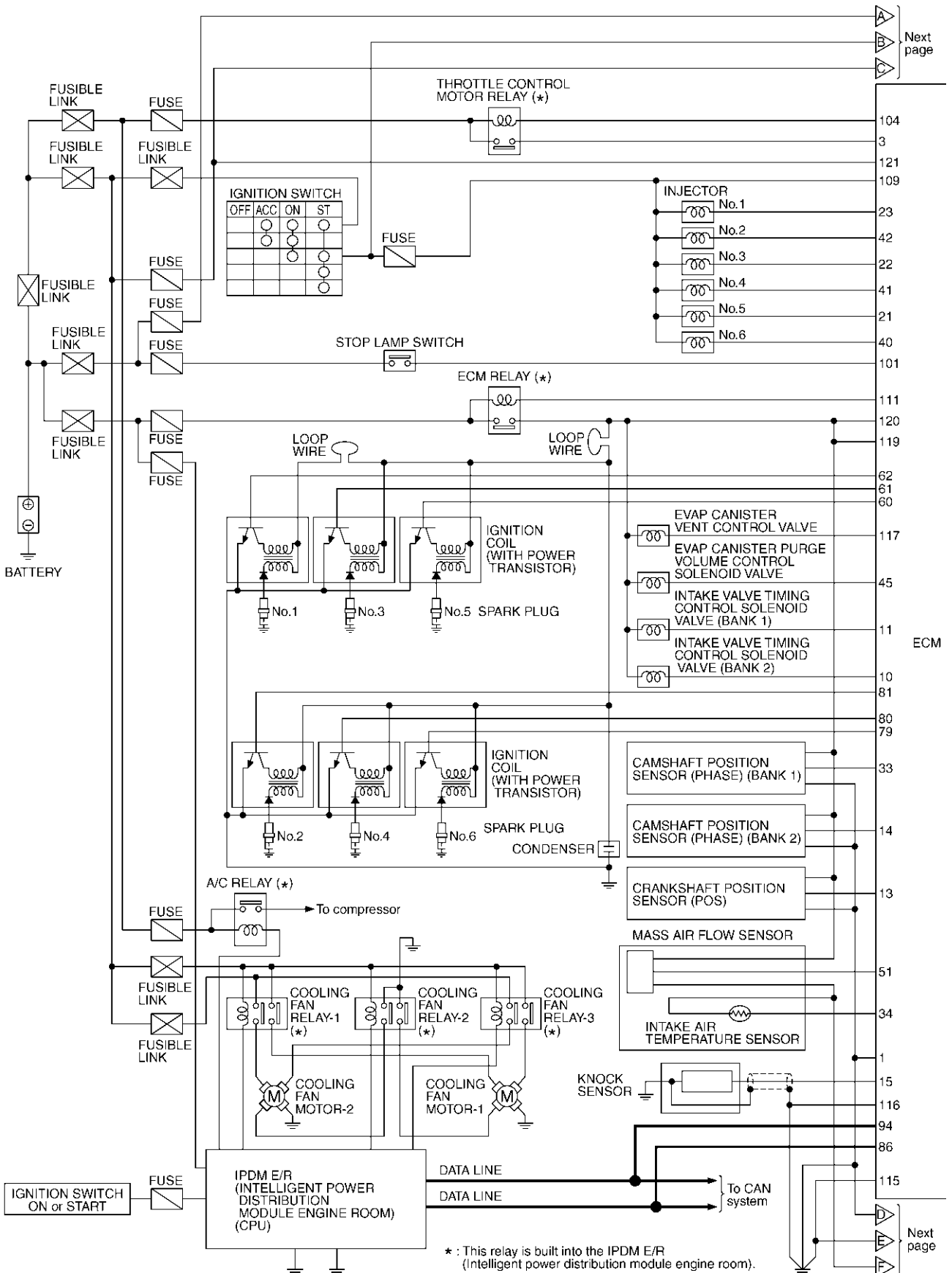


PBIB1664E

# TROUBLE DIAGNOSIS

## Circuit Diagram

ABS000S1

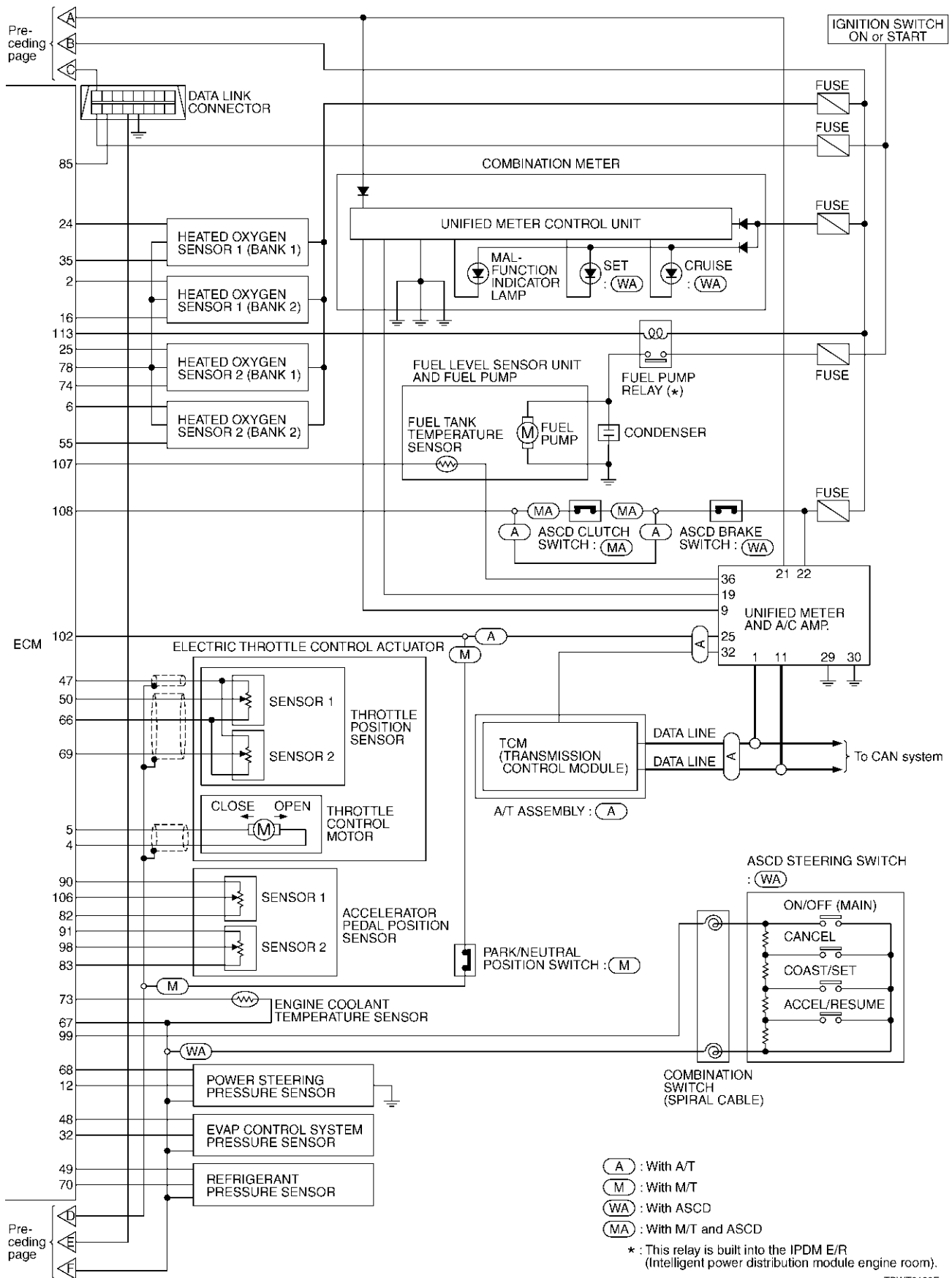


A  
EC  
C  
D  
E  
F  
G  
H  
I  
J  
K  
L  
M

Next page  
A  
B  
C

Next page  
D  
E  
F  
TBWT0189E

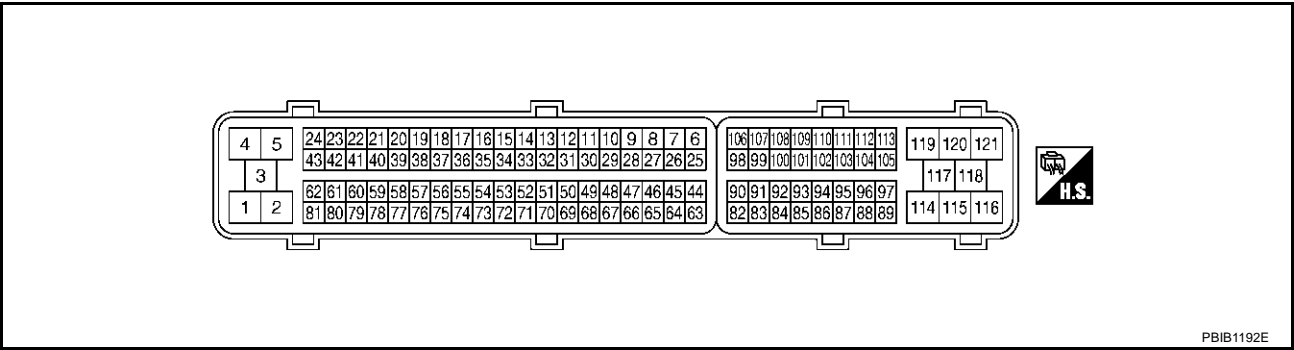
# TROUBLE DIAGNOSIS



# TROUBLE DIAGNOSIS

## ECM Harness Connector Terminal Layout

ABS000S2

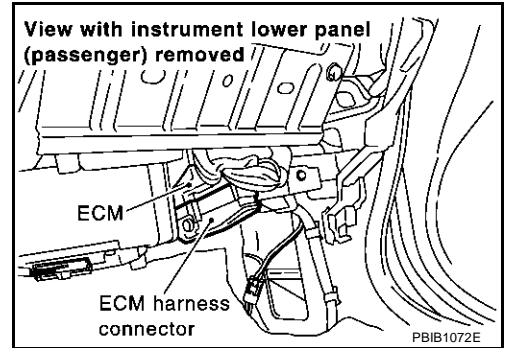


PBIB1192E

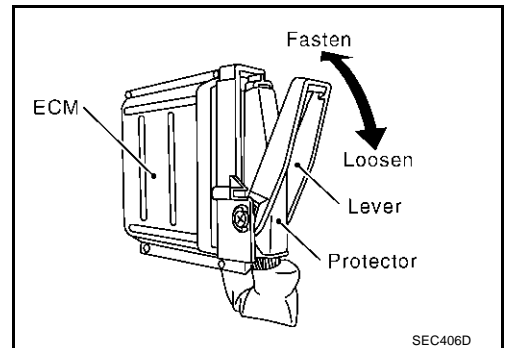
## ECM Terminals and Reference Value PREPARATION

ABS000S3

1. ECM is located behind the passenger side instrument lower panel. For this inspection, remove passenger side instrument lower panel.
2. Remove ECM harness connector.



3. When disconnecting ECM harness connector, loosen it with levers as far as they will go as shown at right.
4. Connect a break-out box (SST) and Y-cable adapter (SST) between the ECM and ECM harness connector.
  - Use extreme care not to touch 2 pins at one time.
  - Data is for comparison and may not be exact.



## ECM INSPECTION TABLE

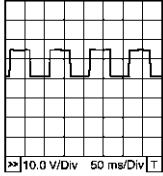
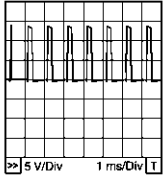
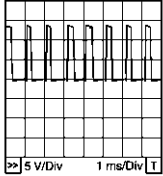
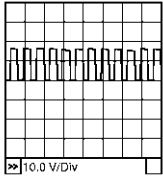
Specification data are reference values and are measured between each terminal and ground. Pulse signal is measured by CONSULT-II.

### CAUTION:

**Do not use ECM ground terminals when measuring input/output voltage. Doing so may result in damage to the ECMs transistor. Use a ground other than ECM terminals, such as the ground.**

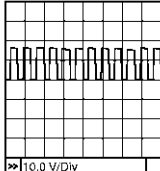
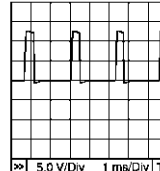
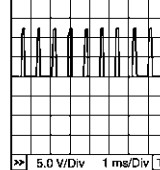
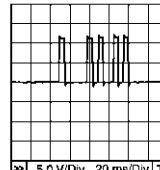
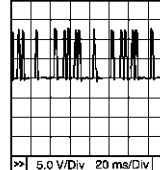
TER-MINAL NO.	WIRE COLOR	ITEM	CONDITION	DATA (DC Voltage)
1	B	ECM ground	[Engine is running] ● Idle speed	Engine ground

# TROUBLE DIAGNOSIS

TERMINAL NO.	WIRE COLOR	ITEM	CONDITION	DATA (DC Voltage)
2	L	Heated oxygen sensor 1 heater (bank 2)	<b>[Engine is running]</b> <ul style="list-style-type: none"> <li>● Warm-up condition</li> <li>● Engine speed is below 3,600 rpm.</li> </ul>	Approximately 8V★  <small>PBIB0519E</small>
			<b>[Engine is running]</b> <ul style="list-style-type: none"> <li>● Engine speed is above 3,600 rpm.</li> </ul>	BATTERY VOLTAGE (11 - 14V)
3	G	Throttle control motor relay power supply	<b>[Ignition switch "ON"]</b>	BATTERY VOLTAGE (11 - 14V)
4	SB	Throttle control motor (Close)	<b>[Ignition switch "ON"]</b> <ul style="list-style-type: none"> <li>● Engine stopped</li> <li>● Shift lever: "D" (A/T) or "1st" (M/T)</li> <li>● Accelerator pedal is releasing</li> </ul>	0 - 14V★  <small>PBIB1104E</small>
5	L/Y	Throttle control motor (Open)	<b>[Ignition switch "ON"]</b> <ul style="list-style-type: none"> <li>● Engine stopped</li> <li>● Shift lever: "D" (A/T) or "1st" (M/T)</li> <li>● Accelerator pedal is depressing</li> </ul>	0 - 14V★  <small>PBIB1105E</small>
6	P/L	Heated oxygen sensor 2 heater (bank 2)	<b>[Engine is running]</b> <ul style="list-style-type: none"> <li>● Engine speed is below 3,600 rpm after the following conditions are met.               <ul style="list-style-type: none"> <li>- Engine: after warming up</li> <li>- Keeping the engine speed between 3,500 and 4,000 rpm for one minute and at idle for one minute under no load.</li> </ul> </li> </ul>	0 - 1.0V
			<b>[Ignition switch "ON"]</b> <ul style="list-style-type: none"> <li>● Engine stopped</li> </ul> <b>[Engine is running]</b> <ul style="list-style-type: none"> <li>● Engine speed is above 3,600 rpm.</li> </ul>	BATTERY VOLTAGE (11 - 14V)
10	W/G	Intake valve timing control solenoid valve (bank 2)	<b>[Engine is running]</b> <ul style="list-style-type: none"> <li>● Warm-up condition</li> <li>● Idle speed</li> </ul>	BATTERY VOLTAGE (11 - 14V)
			<b>[Engine is running]</b> <ul style="list-style-type: none"> <li>● Warm-up condition</li> <li>● When revving engine up to 2,500 rpm quickly</li> </ul>	7 - 12V★  <small>PBIB1790E</small>

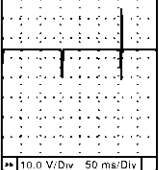
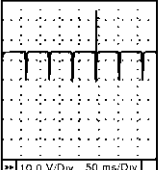
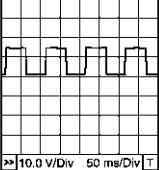


# TROUBLE DIAGNOSIS

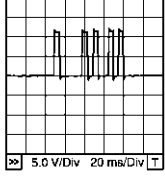
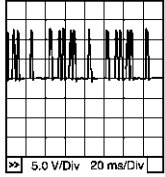
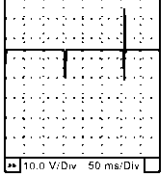
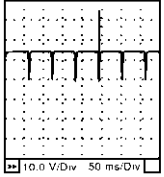
TERMINAL NO.	WIRE COLOR	ITEM	CONDITION	DATA (DC Voltage)
11	P	Intake valve timing control solenoid valve (bank 1)	<b>[Engine is running]</b> <ul style="list-style-type: none"> <li>● Warm-up condition</li> <li>● Idle speed</li> </ul>	BATTERY VOLTAGE (11 - 14V)
			<b>[Engine is running]</b> <ul style="list-style-type: none"> <li>● Warm-up condition</li> <li>● When revving engine up to 2,500 rpm quickly</li> </ul>	7 - 12V★ 
12	L/W	Power steering pressure sensor	<b>[Engine is running]</b> <ul style="list-style-type: none"> <li>● Steering wheel is being turned.</li> </ul>	0.5 - 4.5V
			<b>[Engine is running]</b> <ul style="list-style-type: none"> <li>● Steering wheel is not being turned.</li> </ul>	0.4 - 0.8V
13	W/L	Crankshaft position sensor (POS)	<b>[Engine is running]</b> <ul style="list-style-type: none"> <li>● Warm-up condition</li> <li>● Idle speed</li> </ul>	Approximately 1.6V★ 
			<b>[Engine is running]</b> <ul style="list-style-type: none"> <li>● Engine speed is 2,000 rpm.</li> </ul>	Approximately 1.4V★ 
14	R/L	Camshaft position sensor (PHASE) (bank 2)	<b>[Engine is running]</b> <ul style="list-style-type: none"> <li>● Warm-up condition</li> <li>● Idle speed</li> </ul>	1.0 - 4.0V★ 
			<b>[Engine is running]</b> <ul style="list-style-type: none"> <li>● Engine speed is 2,000 rpm.</li> </ul>	1.0 - 4.0V★ 
15	W	Knock sensor	<b>[Engine is running]</b> <ul style="list-style-type: none"> <li>● Idle speed</li> </ul>	Approximately 2.5V
16	BR	Heated oxygen sensor 1 (bank 2)	<b>[Engine is running]</b> <ul style="list-style-type: none"> <li>● Warm-up condition</li> <li>● Engine speed is 2,000 rpm.</li> </ul>	0 - Approximately 1.0V (Periodically change)

A  
EC  
C  
D  
E  
F  
G  
H  
I  
J  
K  
L  
M

# TROUBLE DIAGNOSIS

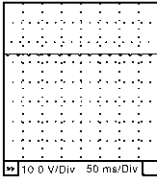
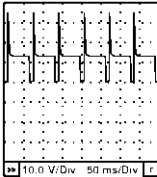
TER-MINAL NO.	WIRE COLOR	ITEM	CONDITION	DATA (DC Voltage)
21 22 23	SB R/Y R/B	Injector No. 5 Injector No. 3 Injector No. 1	<p><b>[Engine is running]</b></p> <ul style="list-style-type: none"> <li>● Warm-up condition</li> <li>● Idle speed</li> </ul>	<p>BATTERY VOLTAGE (11 - 14V)★</p>  <p style="text-align: right;">SEC984C</p>
			<p><b>[Engine is running]</b></p> <ul style="list-style-type: none"> <li>● Warm-up condition</li> <li>● Engine speed is 2,000 rpm.</li> </ul>	<p>BATTERY VOLTAGE (11 - 14V)★</p>  <p style="text-align: right;">SEC985C</p>
24	L/Y	Heated oxygen sensor 1 heater (bank 1)	<p><b>[Engine is running]</b></p> <ul style="list-style-type: none"> <li>● Warm-up condition</li> <li>● Engine speed is below 3,600 rpm.</li> </ul>	<p>Approximately 8V★</p>  <p style="text-align: right;">PBIB0519E</p>
			<p><b>[Engine is running]</b></p> <ul style="list-style-type: none"> <li>● Engine speed is above 3,600 rpm.</li> </ul>	<p>BATTERY VOLTAGE (11 - 14V)</p>
25	P/B	Heated oxygen sensor 2 heater (bank 1)	<p><b>[Engine is running]</b></p> <ul style="list-style-type: none"> <li>● Engine speed is below 3,600 rpm after the following conditions are met.                             <ul style="list-style-type: none"> <li>- Engine: after warming up</li> <li>- Keeping the engine speed between 3,500 and 4,000 rpm for one minute and at idle for one minute under no load.</li> </ul> </li> </ul>	<p>0 - 1.0V</p>
			<p><b>[Ignition switch "ON"]</b></p> <ul style="list-style-type: none"> <li>● Engine stopped</li> </ul> <p><b>[Engine is running]</b></p> <ul style="list-style-type: none"> <li>● Engine speed is above 3,600 rpm.</li> </ul>	<p>BATTERY VOLTAGE (11 - 14V)</p>
32	BR/W	EVAP control system pressure sensor	<p><b>[Ignition switch "ON"]</b></p>	<p>Approximately 1.8 - 4.8V</p>

# TROUBLE DIAGNOSIS

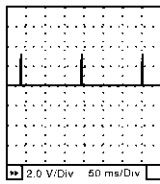
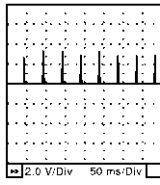
TERMINAL NO.	WIRE COLOR	ITEM	CONDITION	DATA (DC Voltage)
33	R	Camshaft position sensor (PHASE) (bank 1)	<p><b>[Engine is running]</b></p> <ul style="list-style-type: none"> <li>● Warm-up condition</li> <li>● Idle speed</li> </ul>	<p>1.0 - 4.0V★</p>  <p style="text-align: right; font-size: small;">PBIB1039E</p>
			<p><b>[Engine is running]</b></p> <ul style="list-style-type: none"> <li>● Engine speed is 2,000 rpm.</li> </ul>	<p>1.0 - 4.0V★</p>  <p style="text-align: right; font-size: small;">PBIB1040E</p>
34	Y/G	Intake air temperature sensor	<p><b>[Engine is running]</b></p>	<p>Approximately 0 - 4.8V</p> <p>Output voltage varies with intake air temperature.</p>
35	Y/B	Heated oxygen sensor 1 (bank 1)	<p><b>[Engine is running]</b></p> <ul style="list-style-type: none"> <li>● Warm-up condition</li> <li>● Engine speed is 2,000 rpm.</li> </ul>	<p>0 - Approximately 1.0V</p> <p>(Periodically change)</p>
40 41 42	LG W/B B/R	Injector No. 6 Injector No. 4 Injector No. 2	<p><b>[Engine is running]</b></p> <ul style="list-style-type: none"> <li>● Warm-up condition</li> <li>● Idle speed</li> </ul>	<p><b>BATTERY VOLTAGE</b></p> <p>(11 - 14V)★</p>  <p style="text-align: right; font-size: small;">SEC984C</p>
			<p><b>[Engine is running]</b></p> <ul style="list-style-type: none"> <li>● Warm-up condition</li> <li>● Engine speed is 2,000 rpm</li> </ul>	<p><b>BATTERY VOLTAGE</b></p> <p>(11 - 14V)★</p>  <p style="text-align: right; font-size: small;">SEC985C</p>

A  
EC  
C  
D  
E  
F  
G  
H  
I  
J  
K  
L  
M

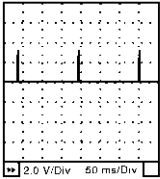
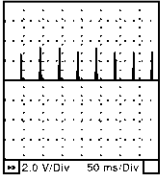
# TROUBLE DIAGNOSIS

TER-MINAL NO.	WIRE COLOR	ITEM	CONDITION	DATA (DC Voltage)
45	G/W	EVAP canister purge volume control solenoid valve	<b>[Engine is running]</b> <ul style="list-style-type: none"> <li>● Idle speed</li> </ul>	BATTERY VOLTAGE (11 - 14V)★  <small>SEC990C</small>
			<b>[Engine is running]</b> <ul style="list-style-type: none"> <li>● Engine speed is about 2,000 rpm (More than 100 seconds after starting engine).</li> </ul>	BATTERY VOLTAGE (11 - 14V)★  <small>SEC991C</small>
47	W/R	Sensors' power supply (Throttle position sensor)	<b>[Ignition switch "ON"]</b>	Approximately 5V
48	PU	Sensors' power supply (EVAP control system pressure sensor)	<b>[Ignition switch "ON"]</b>	Approximately 5V
49	B/Y	Sensors' power supply (Refrigerant pressure sensor)	<b>[Ignition switch "ON"]</b>	Approximately 5V
50	G	Throttle position sensor 1	<b>[Ignition switch "ON"]</b> <ul style="list-style-type: none"> <li>● Engine stopped</li> <li>● Shift lever: "D" (A/T) or "1st" (M/T)</li> <li>● Accelerator pedal fully released</li> </ul>	More than 0.36V
			<b>[Ignition switch "ON"]</b> <ul style="list-style-type: none"> <li>● Engine stopped</li> <li>● Shift lever: "D" (A/T) or "1st" (M/T)</li> <li>● Accelerator pedal fully depressed</li> </ul>	Less than 4.75V
51	OR	Mass air flow sensor	<b>[Engine is running]</b> <ul style="list-style-type: none"> <li>● Warm-up condition</li> <li>● Idle speed</li> </ul>	1.1 - 1.5V
			<b>[Engine is running]</b> <ul style="list-style-type: none"> <li>● Warm-up condition</li> <li>● Engine speed is 2,500 rpm.</li> </ul>	1.7 - 2.4V
55	B/OR	Heated oxygen sensor 2 (bank 2)	<b>[Engine is running]</b> <ul style="list-style-type: none"> <li>● Warm-up condition</li> <li>● Revving engine from idle to 3,000 rpm quickly after the following conditions are met.</li> <li>– After keeping the engine speed between 3,500 and 4,000 rpm for one minute and at idle for one minute under no load.</li> </ul>	0 - Approximately 1.0V

# TROUBLE DIAGNOSIS

TER-MINAL NO.	WIRE COLOR	ITEM	CONDITION	DATA (DC Voltage)	
60 61 62	PU/W L/R Y/R	Ignition signal No. 5 Ignition signal No. 3 Ignition signal No. 1	<p><b>[Engine is running]</b></p> <ul style="list-style-type: none"> <li>● Warm-up condition</li> <li>● Idle speed</li> </ul>	<p>0 - 0.2V★</p>  <p>SEC986C</p>	EC
			<p><b>[Engine is running]</b></p> <ul style="list-style-type: none"> <li>● Warm-up condition</li> <li>● Engine speed is 2,500 rpm.</li> </ul>	<p>0.1 - 0.4V★</p>  <p>SEC987C</p>	
66	L	Sensors' ground (Throttle position sensor)	<p><b>[Engine is running]</b></p> <ul style="list-style-type: none"> <li>● Warm-up condition</li> <li>● Idle speed</li> </ul>	Approximately 0V	
67	B/W	Sensors' ground (Mass air flow sensor / IAT sensor / Power steering pressure sensor / EVAP control system pressure sensor / ASCD steering switch)	<p><b>[Engine is running]</b></p> <ul style="list-style-type: none"> <li>● Warm-up condition</li> <li>● Idle speed</li> </ul>	Approximately 0V	
68	R/W	Sensors' power supply (Power steering pressure sensor)	<b>[Ignition switch "ON"]</b>	Approximately 5V	
69	Y	Throttle position sensor 2	<p><b>[Ignition switch "ON"]</b></p> <ul style="list-style-type: none"> <li>● Engine stopped</li> <li>● Shift lever: "D" (A/T) or "1st" (M/T)</li> <li>● Accelerator pedal fully released</li> </ul>	Less than 4.75V	
			<p><b>[Ignition switch "ON"]</b></p> <ul style="list-style-type: none"> <li>● Engine stopped</li> <li>● Shift lever: "D" (A/T) or "1st" (M/T)</li> <li>● Accelerator pedal fully depressed</li> </ul>	More than 0.36V	
70	G/R	Refrigerant pressure sensor	<p><b>[Engine is running]</b></p> <ul style="list-style-type: none"> <li>● Warm-up condition</li> <li>● Both A/C switch and blower switch are "ON". (Compressor operates.)</li> </ul>	1.0 - 4.0V	
73	BR/Y	Engine coolant temperature sensor	<b>[Engine is running]</b>	Approximately 0 - 4.8V Output voltage varies with engine coolant temperature.	
74	W	Heated oxygen sensor 2 (bank 1)	<p><b>[Engine is running]</b></p> <ul style="list-style-type: none"> <li>● Warm-up condition</li> <li>● Revving engine from idle to 3,000 rpm quickly after the following conditions are met.</li> <li>– After keeping the engine speed between 3,500 and 4,000 rpm for one minute and at idle for one minute under no load.</li> </ul>	0 - Approximately 1.0V	

# TROUBLE DIAGNOSIS

TER-MINAL NO.	WIRE COLOR	ITEM	CONDITION	DATA (DC Voltage)
78	B	Sensors' ground (Heated oxygen sensor)	<b>[Engine is running]</b> ● Warm-up condition ● Idle speed	Approximately 0V
79 80 81	GY/R GY G/B	Ignition signal No. 6 Ignition signal No. 4 Ignition signal No. 2	<b>[Engine is running]</b> ● Warm-up condition ● Idle speed	0 - 0.2V★ 
			<b>[Engine is running]</b> ● Warm-up condition ● Engine speed is 2,500 rpm.	0.1 - 0.4V★ 
82	B/W	Sensors' ground (APP sensor 1)	<b>[Engine is running]</b> ● Warm-up condition ● Idle speed	Approximately 0V
83	G/R	Sensors' ground (APP sensor 2)	<b>[Engine is running]</b> ● Warm-up condition ● Idle speed	Approximately 0V
85	LG	Data link connector	<b>[Ignition switch "ON"]</b> ● CONSULT-II or GST is disconnected.	Approximately 5V - Battery voltage (11 - 14V)
86	R	CAN communication line	<b>[Ignition switch "ON"]</b>	Approximately 1.1 - 2.3V Output voltage varies with the communication status.
90	LG	Sensors' power supply (APP sensor 1)	<b>[Ignition switch "ON"]</b>	Approximately 5V
91	B/OR	Sensors' power supply (APP sensor 2)	<b>[Ignition switch "ON"]</b>	Approximately 5V
94	L	CAN communication line	<b>[Ignition switch "ON"]</b>	Approximately 2.6 - 3.2V Output voltage varies with the communication status.
98	G/B	Accelerator pedal position sensor 2	<b>[Ignition switch "ON"]</b> ● Engine stopped ● Accelerator pedal fully released	0.15 - 0.60V
			<b>[Ignition switch "ON"]</b> ● Engine stopped ● Accelerator pedal fully depressed	1.95 - 2.40V

# TROUBLE DIAGNOSIS

TERMINAL NO.	WIRE COLOR	ITEM	CONDITION	DATA (DC Voltage)	
99	G/Y	ASCDC steering switch	[Ignition switch "ON"] ● ASCDC steering switch is released.	Approximately 4V	A
			[Ignition switch "ON"] ● CRUISE switch is pressed.	Approximately 0V	EC
			[Ignition switch "ON"] ● CANCEL switch is pressed.	Approximately 1V	C
			[Ignition switch "ON"] ● COAST/SET switch is pressed.	Approximately 2V	D
			[Ignition switch "ON"] ● ACCEL/RESUME switch is pressed.	Approximately 3V	E
101	L/OR	Stop lamp switch	[Ignition switch "ON"] ● Brake pedal is fully released	Approximately 0V	
			[Ignition switch "ON"] ● Brake pedal is depressed	BATTERY VOLTAGE (11 - 14V)	F
102	BR/Y	PNP switch	[Ignition switch "ON"] ● Shift lever: "P" or "N" (A/T), "Neutral" (M/T)	Approximately 0V	G
			[Ignition switch "ON"] ● Except the above gear position	BATTERY VOLTAGE (11 - 14V)	H
104	SB	Throttle control motor relay	[Ignition switch "OFF"]	BATTERY VOLTAGE (11 - 14V)	
			[Ignition switch "ON"]	0 - 1.0V	I
106	G/OR	Accelerator pedal position sensor 1	[Ignition switch "ON"] ● Engine stopped ● Accelerator pedal fully released	0.5 - 1.0V	J
			[Ignition switch "ON"] ● Engine stopped ● Accelerator pedal fully depressed	3.9 - 4.7V	K
107	GY/R	Fuel tank temperature sensor	[Engine is running]	Approximately 0 - 4.8V Output voltage varies with fuel tank temperature.	L
108	B/R	ASCDC brake switch	[Ignition switch "ON"] ● Brake pedal is depressed (A/T models) ● Brake pedal and/or clutch pedal are depressed (M/T models)	Approximately 0V	M
			[Ignition switch "ON"] ● Brake pedal is fully released (A/T models) ● Brake pedal and clutch pedal are fully released (M/T models)	BATTERY VOLTAGE (11 - 14V)	
109	W/B	Ignition switch	[Ignition switch "OFF"]	0V	
			[Ignition switch "ON"]	BATTERY VOLTAGE (11 - 14V)	
111	GY/L	ECM relay (Self shut-off)	[Engine is running] [Ignition switch "OFF"] ● For a few seconds after turning ignition switch "OFF"	0 - 1.5V	
			[Ignition switch "OFF"] ● A few seconds passed after turning ignition switch "OFF"	BATTERY VOLTAGE (11 - 14V)	

# TROUBLE DIAGNOSIS

TER-MINAL NO.	WIRE COLOR	ITEM	CONDITION	DATA (DC Voltage)
113	LG/B	Fuel pump relay	[Ignition switch "ON"] ● For 1 second after turning ignition switch "ON"	0 - 1.5V
			[Engine is running] [Ignition switch "ON"] ● More than 1 second after turning ignition switch "ON".	BATTERY VOLTAGE (11 - 14V)
115 116	B/W B/R	ECM ground	[Engine is running] ● Idle speed	Engine ground
117	G/W	EVAP canister vent control valve	[Ignition switch "ON"]	BATTERY VOLTAGE (11 - 14V)
119 120	G/Y P	Power supply for ECM	[Ignition switch "ON"]	BATTERY VOLTAGE (11 - 14V)
121	R/W	Power supply for ECM (Buck-up)	[Ignition switch "OFF"]	BATTERY VOLTAGE (11 - 14V)

★: Average voltage for pulse signal (Actual pulse signal can be confirmed by oscilloscope.)

## CONSULT-II Function FUNCTION

ABS000S4

Diagnostic test mode	Function
Work support	This mode enables a technician to adjust some devices faster and more accurately by following the indications on the CONSULT-II unit.
Self-diagnostic results	Self-diagnostic results such as 1st trip DTC, DTCs and 1st trip freeze frame data or freeze frame data can be read and erased quickly.*1
Data monitor	Input/Output data in the ECM can be read.
Data monitor (SPEC)	Input/Output of the specification for Basic fuel schedule, AFM, A/F feedback control value and the other data monitor items can be read.
CAN diagnostic support monitor	The results of transmit/receive diagnosis of CAN communication can be read.
Active test	Diagnostic Test Mode in which CONSULT-II drives some actuators apart from the ECMs and also shifts some parameters in a specified range.
DTC & SRT confirmation	The status of system monitoring tests and the self-diagnosis status/result can be confirmed.
Function test	This mode is used to inform customers when their vehicle condition requires periodic maintenance.
ECM part number	ECM part number can be read.

\*1: The following emission-related diagnostic information is cleared when the ECM memory is erased.

- Diagnostic trouble codes
- 1st trip diagnostic trouble codes
- Freeze frame data
- 1st trip freeze frame data
- System readiness test (SRT) codes
- Test values
- Others



# TROUBLE DIAGNOSIS

## ENGINE CONTROL COMPONENT PARTS/CONTROL SYSTEMS APPLICATION

Item		DIAGNOSTIC TEST MODE							
		WORK SUP-PORT	SELF-DIAGNOSTIC RESULTS		DATA MONI-TOR	DATA MONI-TOR (SPEC)	ACTIVE TEST	DTC & SRT CONFIRMATION	
			DTC*1	FREEZE FRAME DATA*2				SRT STATUS	DTC WORK SUP-PORT
ENGINE CONTROL COMPONENT PARTS INPUT	Crankshaft position sensor (POS)		×	×	×	×			A
	Camshaft position sensor (PHASE)		×	×	×	×			B
	Mass air flow sensor		×		×	×			C
	Engine coolant temperature sensor		×	×	×	×	×		D
	Heated oxygen sensor 1		×		×	×		×	E
	Heated oxygen sensor 2		×		×	×		×	F
	Vehicle speed sensor		×	×	×	×			G
	Accelerator pedal position sensor		×		×	×			H
	Throttle position sensor		×		×	×			I
	Fuel tank temperature sensor		×		×	×	×		J
	EVAP control system pressure sensor		×		×	×			K
	Intake air temperature sensor		×	×	×	×			L
	Knock sensor		×						M
	Refrigerant pressure sensor				×	×			N
	Closed throttle position switch (accelerator pedal position sensor signal)				×	×			O
	Air conditioner switch				×	×			P
	Park/neutral position (PNP) switch		×		×	×			Q
	Stop lamp switch		×		×	×			R
	Power steering pressure sensor		×		×	×			S
	Battery voltage				×	×			T
Load signal				×	×			U	
Fuel level sensor		×		×	×			V	
ASCD steering switch		×		×	×			W	
ASCD brake switch		×		×	×			X	
ASCD clutch switch		×		×	×			Y	

# TROUBLE DIAGNOSIS

Item		DIAGNOSTIC TEST MODE							
		WORK SUP-PORT	SELF-DIAGNOSTIC RESULTS		DATA MONI-TOR	DATA MONI-TOR (SPEC)	ACTIVE TEST	DTC & SRT CONFIRMATION	
			DTC*1	FREEZE FRAME DATA*2				SRT STATUS	DTC WORK SUP-PORT
ENGINE CONTROL COMPONENT PARTS OUTPUT	Injectors				×	×	×		
	Power transistor (Ignition timing)				×	×	×		
	Throttle control motor relay		×		×	×			
	Throttle control motor		×						
	EVAP canister purge volume control solenoid valve		×		×	×	×		×
	Air conditioner relay				×	×			
	Fuel pump relay	×			×	×	×		
	Cooling fan relay		×		×	×	×		
	Heated oxygen sensor 1 heater		×		×	×		×	
	Heated oxygen sensor 2 heater		×		×	×		×	
	EVAP canister vent control valve	×	×		×	×	×		
	Intake valve timing control solenoid valve		×		×	×	×		
Calculated load value			×	×	×				

X: Applicable

\*1: This item includes 1st trip DTCs.

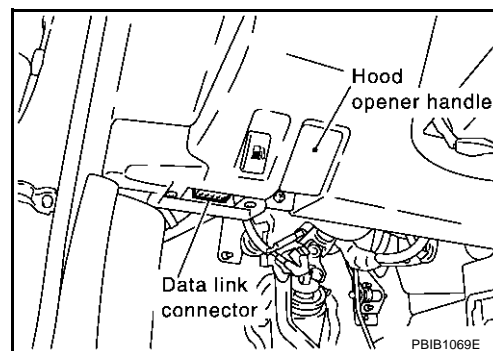
\*2: This mode includes 1st trip freeze frame data or freeze frame data. The items appear on CONSULT-II screen in freeze frame data mode only if a 1st trip DTC or DTC is detected. For details, refer to [EC-60](#).

## INSPECTION PROCEDURE

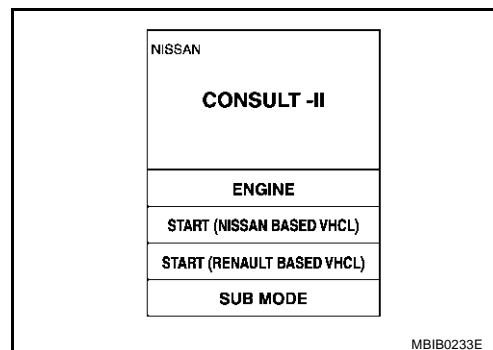
### CAUTION:

If CONSULT-II is used with no connection of CONSULT-II CONVERTER, malfunctions might be detected in self-diagnosis depending on control unit which carry out CAN communication.

1. Turn ignition switch OFF.
2. Connect "CONSULT-II" and "CONSULT-II CONVERTER" to data link connector, which is located under LH dash panel near the hood opener handle.
3. Turn ignition switch ON.

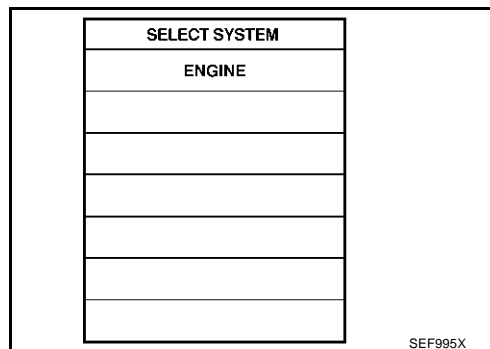


4. Touch "START (NISSAN BASED VHCL)".

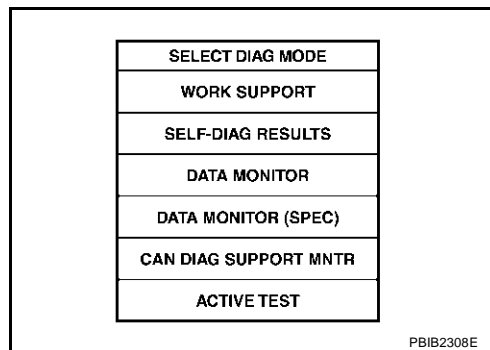


# TROUBLE DIAGNOSIS

5. Touch "ENGINE".  
If "ENGINE" is not indicated, go to [GI-39, "CONSULT-II Data Link Connector \(DLC\) Circuit"](#).



6. Perform each diagnostic test mode according to each service procedure.  
**For further information, see the CONSULT-II Operation Manual.**



## WORK SUPPORT MODE

### Work Item

WORK ITEM	CONDITION	USAGE
FUEL PRESSURE RELEASE	<ul style="list-style-type: none"> <li>FUEL PUMP WILL STOP BY TOUCHING "START" DURING IDLING.</li> <li>CRANK A FEW TIMES AFTER ENGINE STALLS.</li> </ul>	When releasing fuel pressure from fuel line
IDLE AIR VOL LEARN	<ul style="list-style-type: none"> <li>THE IDLE AIR VOLUME THAT KEEPS THE ENGINE WITHIN THE SPECIFIED RANGE IS MEMORIZED IN ECM.</li> </ul>	When learning the idle air volume
SELF-LEARNING CONT	<ul style="list-style-type: none"> <li>THE COEFFICIENT OF SELF-LEARNING CONTROL MIXTURE RATIO RETURNS TO THE ORIGINAL COEFFICIENT.</li> </ul>	When clearing the coefficient of self-learning control value
EVAP SYSTEM CLOSE	<p>CLOSE THE EVAP CANISTER VENT CONTROL VALVE IN ORDER TO MAKE EVAP SYSTEM CLOSE UNDER THE FOLLOWING CONDITIONS.</p> <ul style="list-style-type: none"> <li>IGN SW "ON"</li> <li>ENGINE NOT RUNNING</li> <li>AMBIENT TEMPERATURE IS ABOVE 0°C (32°F).</li> <li>NO VACUUM AND NO HIGH PRESSURE IN EVAP SYSTEM</li> <li>FUEL TANK TEMP. IS MORE THAN 0°C (32°F).</li> <li>WITHIN 10 MINUTES AFTER STARTING "EVAP SYSTEM CLOSE"</li> <li>WHEN TRYING TO EXECUTE "EVAP SYSTEM CLOSE" UNDER THE CONDITION EXCEPT ABOVE, CONSULT-II WILL DISCONTINUE IT AND DISPLAY APPROPRIATE INSTRUCTION.</li> </ul> <p><b>NOTE:</b> <b>WHEN STARTING ENGINE, CONSULT-II MAY DISPLAY "BATTERY VOLTAGE IS LOW. CHARGE BATTERY", EVEN IN USING CHARGED BATTERY.</b></p>	When detecting EVAP vapor leak point of EVAP system

# TROUBLE DIAGNOSIS

WORK ITEM	CONDITION	USAGE
TARGET IDLE RPM ADJ*	<ul style="list-style-type: none"> <li>● IDLE CONDITION</li> </ul>	When setting target idle speed
TARGET IGN TIM ADJ*	<ul style="list-style-type: none"> <li>● IDLE CONDITION</li> </ul>	When adjusting target ignition timing After adjustment, confirm target ignition timing with a timing light.

\*: This function is not necessary in the usual service procedure.

## SELF-DIAG RESULTS MODE

### Self Diagnostic Item

Regarding items of "DTC and 1st trip DTC", refer to [EC-8, "INDEX FOR DTC"](#) .

### Freeze Frame Data and 1st Trip Freeze Frame Data

Freeze frame data item*1	Description
DIAG TROUBLE CODE [PXXXX]	<ul style="list-style-type: none"> <li>● The engine control component part/control system has a trouble code, it is displayed as "PXXXX". (Refer to <a href="#">EC-8, "INDEX FOR DTC"</a> .)</li> </ul>
FUEL SYS-B1*2	<ul style="list-style-type: none"> <li>● "Fuel injection system status" at the moment a malfunction is detected is displayed.</li> </ul>
FUEL SYS-B2*2	<ul style="list-style-type: none"> <li>● One mode in the following is displayed. "MODE 2": Open loop due to detected system malfunction "MODE 3": Open loop due to driving conditions (power enrichment, deceleration enrichment) "MODE 4": Closed loop - using oxygen sensor(s) as feedback for fuel control "MODE 5": Open loop - has not yet satisfied condition to go to closed loop</li> </ul>
CAL/LD VALUE [%]	<ul style="list-style-type: none"> <li>● The calculated load value at the moment a malfunction is detected is displayed.</li> </ul>
COOLANT TEMP [°C] or [°F]	<ul style="list-style-type: none"> <li>● The engine coolant temperature at the moment a malfunction is detected is displayed.</li> </ul>
L-FUEL TRIM-B1 [%]	<ul style="list-style-type: none"> <li>● "Long-term fuel trim" at the moment a malfunction is detected is displayed.</li> </ul>
L-FUEL TRIM-B2 [%]	<ul style="list-style-type: none"> <li>● The long-term fuel trim indicates much more gradual feedback compensation to the base fuel schedule than short-term fuel trim.</li> </ul>
S-FUEL TRIM-B1 [%]	<ul style="list-style-type: none"> <li>● "Short-term fuel trim" at the moment a malfunction is detected is displayed.</li> </ul>
S-FUEL TRIM-B2 [%]	<ul style="list-style-type: none"> <li>● The short-term fuel trim indicates dynamic or instantaneous feedback compensation to the base fuel schedule.</li> </ul>
ENGINE SPEED [rpm]	<ul style="list-style-type: none"> <li>● The engine speed at the moment a malfunction is detected is displayed.</li> </ul>
VEHICL SPEED [km/h] or [mph]	<ul style="list-style-type: none"> <li>● The vehicle speed at the moment a malfunction is detected is displayed.</li> </ul>
B/FUEL SCHDL [msec]	<ul style="list-style-type: none"> <li>● The base fuel schedule at the moment a malfunction is detected is displayed.</li> </ul>
INT/A TEMP SE [°C] or [°F]	<ul style="list-style-type: none"> <li>● The intake air temperature at the moment a malfunction is detected is displayed.</li> </ul>

\*1: The items are the same as those of 1st trip freeze frame data.

\*2: Regarding Z33 model, "B1" indicates bank 1 and "B2" indicates bank 2.

# TROUBLE DIAGNOSIS

## DATA MONITOR MODE

### Monitored Item

×: Applicable

Monitored item [Unit]	ECM INPUT SIG- NALS	MAIN SIG- NALS	Description	Remarks
ENG SPEED [rpm]	×	×	<ul style="list-style-type: none"> <li>Indicates the engine speed computed from the signal of the crankshaft position sensor (POS) and CMPS (PHASE).</li> </ul>	<ul style="list-style-type: none"> <li>Accuracy becomes poor if engine speed drops below the idle rpm.</li> <li>If the signal is interrupted while the engine is running, an abnormal value may be indicated.</li> </ul>
MAS A/F SE-B1 [V]	×	×	<ul style="list-style-type: none"> <li>The signal voltage of the mass air flow sensor is displayed.</li> </ul>	<ul style="list-style-type: none"> <li>When the engine is stopped, a certain value is indicated.</li> </ul>
B/FUEL SCHDL [msec]		×	<ul style="list-style-type: none"> <li>"Base fuel schedule" indicates the fuel injection pulse width programmed into ECM, prior to any learned on board correction.</li> </ul>	
A/F ALPHA-B1 [%]		×	<ul style="list-style-type: none"> <li>The mean value of the air-fuel ratio feedback correction factor per cycle is indicated.</li> </ul>	<ul style="list-style-type: none"> <li>When the engine is stopped, a certain value is indicated.</li> </ul>
A/F ALPHA-B2 [%]		×		<ul style="list-style-type: none"> <li>This data also includes the data for the air-fuel ratio learning control.</li> </ul>
COOLAN TEMP/S [°C] or [°F]	×	×	<ul style="list-style-type: none"> <li>The engine coolant temperature (determined by the signal voltage of the engine coolant temperature sensor) is displayed.</li> </ul>	<ul style="list-style-type: none"> <li>When the engine coolant temperature sensor is open or short-circuited, ECM enters fail-safe mode. The engine coolant temperature determined by the ECM is displayed.</li> </ul>
HO2S1 (B1) [V]	×	×	<ul style="list-style-type: none"> <li>The signal voltage of the heated oxygen sensor 1 is displayed.</li> </ul>	
HO2S1 (B2) [V]	×			
HO2S2 (B1) [V]	×		<ul style="list-style-type: none"> <li>The signal voltage of the heated oxygen sensor 2 is displayed.</li> </ul>	
HO2S2 (B2) [V]	×			
HO2S1 MNTR (B1) [RICH/LEAN]	×	×	<ul style="list-style-type: none"> <li>Display of heated oxygen sensor 1 signal during air-fuel ratio feedback control: RICH ... means the mixture became "rich", and control is being affected toward a leaner mixture. LEAN ... means the mixture became "lean", and control is being affected toward a rich mixture.</li> </ul>	<ul style="list-style-type: none"> <li>After turning ON the ignition switch, "RICH" is displayed until air-fuel mixture ratio feedback control begins.</li> <li>When the air-fuel ratio feedback is clamped, the value just before the clamping is displayed continuously.</li> </ul>
HO2S1 MNTR (B2) [RICH/LEAN]	×			
HO2S2 MNTR (B1) [RICH/LEAN]	×		<ul style="list-style-type: none"> <li>Display of heated oxygen sensor 2 signal: RICH ... means the amount of oxygen after three way catalyst is relatively small. LEAN ... means the amount of oxygen after three way catalyst is relatively large.</li> </ul>	<ul style="list-style-type: none"> <li>When the engine is stopped, a certain value is indicated.</li> </ul>
HO2S2 MNTR (B2) [RICH/LEAN]	×			
VHCL SPEED SE [km/h] or [mph]	×	×	<ul style="list-style-type: none"> <li>The vehicle speed computed from the vehicle speed signal sent from combination meter is displayed.</li> </ul>	
BATTERY VOLT [V]	×	×	<ul style="list-style-type: none"> <li>The power supply voltage of ECM is displayed.</li> </ul>	
ACCEL SEN 1 [V]	×	×	<ul style="list-style-type: none"> <li>The accelerator pedal position sensor signal voltage is displayed.</li> </ul>	
ACCEL SEN 2 [V]	×			
THRTL SEN 1 [V]	×	×	<ul style="list-style-type: none"> <li>The throttle position sensor signal voltage is displayed.</li> </ul>	
THRTL SEN 2 [V]	×			
FUEL T/TEMP SE [°C] or [°F]	×		<ul style="list-style-type: none"> <li>The fuel temperature (determined by the signal voltage of the fuel tank temperature sensor) is displayed.</li> </ul>	

## TROUBLE DIAGNOSIS

Monitored item [Unit]	ECM INPUT SIG- NALS	MAIN SIG- NALS	Description	Remarks
INT/A TEMP SE [°C] or [°F]	×	×	<ul style="list-style-type: none"> <li>The intake air temperature (determined by the signal voltage of the intake air temperature sensor) is indicated.</li> </ul>	
EVAP SYS PRES [V]	×		<ul style="list-style-type: none"> <li>The signal voltage of EVAP control system pressure sensor is displayed.</li> </ul>	
FUEL LEVEL SE [V]	×		<ul style="list-style-type: none"> <li>The signal voltage of the fuel level sensor is displayed.</li> </ul>	
START SIGNAL [ON/OFF]	×	×	<ul style="list-style-type: none"> <li>Indicates start signal status [ON/OFF] computed by the ECM according to the signals of engine speed and battery voltage.</li> </ul>	<ul style="list-style-type: none"> <li>After starting the engine, [OFF] is displayed regardless of the starter signal.</li> </ul>
CLSD THL POS [ON/OFF]	×	×	<ul style="list-style-type: none"> <li>Indicates idle position [ON/OFF] computed by ECM according to the accelerator pedal position sensor signal.</li> </ul>	
AIR COND SIG [ON/OFF]	×	×	<ul style="list-style-type: none"> <li>Indicates [ON/OFF] condition of the air conditioner switch as determined by the air conditioner signal.</li> </ul>	
P/N POSI SW [ON/OFF]	×	×	<ul style="list-style-type: none"> <li>Indicates [ON/OFF] condition from the park/neutral position (PNP) switch signal.</li> </ul>	
PW/ST SIGNAL [ON/OFF]	×	×	<ul style="list-style-type: none"> <li>[ON/OFF] condition of the power steering system (determined by the signal voltage of the power steering pressure sensor signal) is indicated.</li> </ul>	
LOAD SIGNAL [ON/ OFF]	×	×	<ul style="list-style-type: none"> <li>Indicates [ON/OFF] condition from the electrical load signal.</li> <li>ON ... Rear window defogger switch is ON and/or lighting switch is in 2nd position.</li> <li>OFF ... Both rear window defogger switch and lighting switch are OFF.</li> </ul>	
IGNITION SW [ON/OFF]	×		<ul style="list-style-type: none"> <li>Indicates [ON/OFF] condition from ignition switch signal.</li> </ul>	
HEATER FAN SW [ON/OFF]	×		<ul style="list-style-type: none"> <li>Indicates [ON/OFF] condition from the heater fan switch signal.</li> </ul>	
BRAKE SW [ON/OFF]			<ul style="list-style-type: none"> <li>Indicates [ON/OFF] condition from the stop lamp switch signal.</li> </ul>	
INJ PULSE-B1 [msec]		×	<ul style="list-style-type: none"> <li>Indicates the actual fuel injection pulse width compensated by ECM according to the input signals.</li> </ul>	<ul style="list-style-type: none"> <li>When the engine is stopped, a certain computed value is indicated.</li> </ul>
INJ PULSE-B2 [msec]				
IGN TIMING [BTDC]		×	<ul style="list-style-type: none"> <li>Indicates the ignition timing computed by ECM according to the input signals.</li> </ul>	<ul style="list-style-type: none"> <li>When the engine is stopped, a certain value is indicated.</li> </ul>
CAL/LD VALUE [%]			<ul style="list-style-type: none"> <li>"Calculated load value" indicates the value of the current air flow divided by peak air flow.</li> </ul>	
MASS AIRFLOW [g-m/s]			<ul style="list-style-type: none"> <li>Indicates the mass air flow computed by ECM according to the signal voltage of the mass air flow sensor.</li> </ul>	
PURG VOL C/V [%]			<ul style="list-style-type: none"> <li>Indicates the EVAP canister purge volume control solenoid valve control value computed by the ECM according to the input signals.</li> <li>The opening becomes larger as the value increases.</li> </ul>	

# TROUBLE DIAGNOSIS

Monitored item [Unit]	ECM INPUT SIG- NALS	MAIN SIG- NALS	Description	Remarks	
INT/V TIM (B1) [°CA]			<ul style="list-style-type: none"> <li>Indicates [°CA] of intake camshaft advanced angle.</li> </ul>		A
INT/V TIM (B2) [°CA]					EC
INT/V SOL (B1) [%]			<ul style="list-style-type: none"> <li>The control value of the intake valve timing control solenoid valve (determined by ECM according to the input signals) is indicated.</li> <li>The advance angle becomes larger as the value increases.</li> </ul>		C
INT/V SOL (B2) [%]					D
AIR COND RLY [ON/OFF]		×	<ul style="list-style-type: none"> <li>The air conditioner relay control condition (determined by ECM according to the input signals) is indicated.</li> </ul>		E
FUEL PUMP RLY [ON/OFF]		×	<ul style="list-style-type: none"> <li>Indicates the fuel pump relay control condition determined by ECM according to the input signals.</li> </ul>		F
VENT CONT/V [ON/OFF]			<ul style="list-style-type: none"> <li>The control condition of the EVAP canister vent control valve (determined by ECM according to the input signals) is indicated. ON ... Closed OFF ... Open</li> </ul>		G
THRTL RELAY [ON/OFF]			<ul style="list-style-type: none"> <li>Indicates the throttle control motor relay control condition determined by the ECM according to the input signals.</li> </ul>		H
COOLING FAN [HI/LOW/OFF]			<ul style="list-style-type: none"> <li>The control condition of the cooling fan (determined by ECM according to the input signals) is indicated. HI ... High speed operation LOW ... Low speed operation OFF ... Stop</li> </ul>		I
HO2S1 HTR (B1) [ON/OFF]			<ul style="list-style-type: none"> <li>Indicates [ON/OFF] condition of heated oxygen sensor 1 heater determined by ECM according to the input signals.</li> </ul>		J
HO2S1 HTR (B2) [ON/OFF]					K
HO2S2 HTR (B1) [ON/OFF]			<ul style="list-style-type: none"> <li>Indicates [ON/OFF] condition of heated oxygen sensor 2 heater determined by ECM according to the input signals.</li> </ul>		L
HO2S2 HTR (B2) [ON/OFF]					M
I/P PULLY SPD [rpm]			<ul style="list-style-type: none"> <li>Indicates the engine speed computed from the turbine revolution sensor signal.</li> </ul>		
VEHICLE SPEED [km/h] or [MPH]			<ul style="list-style-type: none"> <li>The vehicle speed computed from the vehicle speed signal sent from TCM or combination meter is displayed.</li> </ul>		
IDL A/V LEARN [YET/CMPLT]			<ul style="list-style-type: none"> <li>Display the condition of idle air volume learning YET ... Idle air volume learning has not been performed yet. CMPLT ... Idle air volume learning has already been performed successfully.</li> </ul>		
TRVL AFTER MIL [km] or [mile]			<ul style="list-style-type: none"> <li>Distance traveled while MIL is activated.</li> </ul>		
O2SEN HTR DTY [%]			<ul style="list-style-type: none"> <li>Indicates the heated oxygen sensor 1 heater control value computed by the ECM according to the input signals.</li> </ul>		

## TROUBLE DIAGNOSIS

Monitored item [Unit]	ECM INPUT SIG- NALS	MAIN SIG- NALS	Description	Remarks
AC PRESS SEN [V]			<ul style="list-style-type: none"> <li>The signal voltage from the refrigerant pressure sensor is displayed.</li> </ul>	
VHCL SPEED SE [km/h] or [mph]			<ul style="list-style-type: none"> <li>The vehicle speed computed from the vehicle speed signal sent from combination meter is displayed.</li> </ul>	
SET VHCL SPD [km/h] or [mph]			<ul style="list-style-type: none"> <li>The preset vehicle speed is displayed.</li> </ul>	
MAIN SW [ON/OFF]			<ul style="list-style-type: none"> <li>Indicates [ON/OFF] condition from CRUISE switch signal.</li> </ul>	
CANCEL SW [ON/OFF]			<ul style="list-style-type: none"> <li>Indicates [ON/OFF] condition from CANCEL switch signal.</li> </ul>	
RESUME/ACC SW [ON/OFF]			<ul style="list-style-type: none"> <li>Indicates [ON/OFF] condition from ACCEL/RES switch signal.</li> </ul>	
SET SW [ON/OFF]			<ul style="list-style-type: none"> <li>Indicates [ON/OFF] condition from COAST/SET switch signal.</li> </ul>	
BRAKE SW1 SW [ON/OFF]			<ul style="list-style-type: none"> <li>Indicates [ON/OFF] condition from ASCD brake switch signal, and ASCD clutch switch signal (M/T models).</li> </ul>	
BRAKE SW2 SW [ON/OFF]			<ul style="list-style-type: none"> <li>Indicates [ON/OFF] condition of stop lamp switch signal.</li> </ul>	
VHCL SPD CUT [NON/CUT]			<ul style="list-style-type: none"> <li>Indicates the vehicle cruise condition. NON ... Vehicle speed is maintained at the ASCD set speed. CUT ... Vehicle speed increased to excessively high compared with the ASCD set speed, and ASCD operation is cut off.</li> </ul>	
LO SPEED CUT [NON/CUT]			<ul style="list-style-type: none"> <li>Indicates the vehicle cruise condition. NON ... Vehicle speed is maintained at the ASCD set speed. CUT ... Vehicle speed decreased to excessively low compared with the ASCD set speed, and ASCD operation is cut off.</li> </ul>	
AT OD MONITOR [ON/OFF]			<ul style="list-style-type: none"> <li>Indicates [ON/OFF] condition of A/T O/D according to the input signal from the TCM.</li> </ul>	<ul style="list-style-type: none"> <li>For M/T models always "OFF" is displayed.</li> </ul>
AT OD CANCEL [ON/OFF]			<ul style="list-style-type: none"> <li>Indicates [ON/OFF] condition of A/T O/D cancel signal sent from the TCM.</li> </ul>	<ul style="list-style-type: none"> <li>For M/T models always "OFF" is displayed.</li> </ul>
CRUISE LAMP [ON/OFF]			<ul style="list-style-type: none"> <li>Indicates [ON/OFF] condition of CRUISE lamp determined by the ECM according to the input signals.</li> </ul>	
SET LAMP [ON/OFF]			<ul style="list-style-type: none"> <li>Indicates [ON/OFF] condition of SET lamp determined by the ECM according to the input signals.</li> </ul>	
Voltage [V]			<ul style="list-style-type: none"> <li>Voltage, frequency, duty cycle or pulse width measured by the probe.</li> </ul>	<ul style="list-style-type: none"> <li>Only "#" is displayed if item is unable to be measured.</li> <li>Figures with "#"'s are temporary ones. They are the same figures as an actual piece of data which was just previously measured.</li> </ul>
Frequency [msec], [Hz] or [%]				
DUTY-HI				
DUTY-LOW				
PLS WIDTH-HI				
PLS WIDTH-LOW				

**NOTE:**

- Any monitored item that does not match the vehicle being diagnosed is deleted from the display automatically.



# TROUBLE DIAGNOSIS

- Regarding Z33 model, "B1" indicates bank 1 and "B2" indicates bank 2.

## DATA MONITOR (SPEC) MODE

### Monitored Item

Monitored item [Unit]	ECM input signals	Main signals	Description	Remarks
ENG SPEED [rpm]	×	×	<ul style="list-style-type: none"> <li>● Indicates the engine speed computed from the signal of the crankshaft position sensor (POS).</li> </ul>	
MAS A/F SE-B1 [V]	×	×	<ul style="list-style-type: none"> <li>● The signal voltage of the mass air flow sensor specification is displayed.</li> </ul>	<ul style="list-style-type: none"> <li>● When engine is running specification range is indicated.</li> </ul>
B/FUEL SCHDL [msec]		×	<ul style="list-style-type: none"> <li>● "Base fuel schedule" indicates the fuel injection pulse width programmed into ECM, prior to any learned on board correction.</li> </ul>	<ul style="list-style-type: none"> <li>● When engine is running specification range is indicated.</li> </ul>
A/F ALPHA-B1 [%] A/F ALPHA-B2 [%]		×	<ul style="list-style-type: none"> <li>● The mean value of the air-fuel ratio feedback correction factor per cycle is indicated.</li> </ul>	<ul style="list-style-type: none"> <li>● When engine is running specification range is indicated.</li> <li>● This data also includes the data for the air-fuel ratio learning control.</li> </ul>

#### NOTE:

Any monitored item that does not match the vehicle being diagnosed is deleted from the display automatically.

## ACTIVE TEST MODE

### Test Item

TEST ITEM	CONDITION	JUDGEMENT	CHECK ITEM (REMEDY)
FUEL INJECTION	<ul style="list-style-type: none"> <li>● Engine: Return to the original trouble condition</li> <li>● Change the amount of fuel injection using CONSULT-II.</li> </ul>	If trouble symptom disappears, see CHECK ITEM.	<ul style="list-style-type: none"> <li>● Harness and connectors</li> <li>● Fuel injectors</li> <li>● Heated oxygen sensor 1</li> </ul>
IGNITION TIMING	<ul style="list-style-type: none"> <li>● Engine: Return to the original trouble condition</li> <li>● Timing light: Set</li> <li>● Retard the ignition timing using CONSULT-II.</li> </ul>	If trouble symptom disappears, see CHECK ITEM.	<ul style="list-style-type: none"> <li>● Perform "Idle Air Volume Learning".</li> </ul>
POWER BALANCE	<ul style="list-style-type: none"> <li>● Engine: After warming up, idle the engine.</li> <li>● A/C switch "OFF"</li> <li>● Shift lever "N"</li> <li>● Cut off each injector signal one at a time using CONSULT-II.</li> </ul>	Engine runs rough or dies.	<ul style="list-style-type: none"> <li>● Harness and connectors</li> <li>● Compression</li> <li>● Fuel injectors</li> <li>● Power transistor</li> <li>● Spark plugs</li> <li>● Ignition coils</li> </ul>
COOLING FAN*	<ul style="list-style-type: none"> <li>● Ignition switch: ON</li> <li>● Turn the cooling fan "HI", "LOW" and "OFF" using CONSULT-II.</li> </ul>	Cooling fan moves and stops.	<ul style="list-style-type: none"> <li>● Harness and connectors</li> <li>● Cooling fan motor</li> <li>● IPDM E/R</li> </ul>
ENG COOLANT TEMP	<ul style="list-style-type: none"> <li>● Engine: Return to the original trouble condition</li> <li>● Change the engine coolant temperature using CONSULT-II.</li> </ul>	If trouble symptom disappears, see CHECK ITEM.	<ul style="list-style-type: none"> <li>● Harness and connectors</li> <li>● Engine coolant temperature sensor</li> <li>● Fuel injectors</li> </ul>
FUEL PUMP RELAY	<ul style="list-style-type: none"> <li>● Ignition switch: ON (Engine stopped)</li> <li>● Turn the fuel pump relay "ON" and "OFF" using CONSULT-II and listen to operating sound.</li> </ul>	Fuel pump relay makes the operating sound.	<ul style="list-style-type: none"> <li>● Harness and connectors</li> <li>● Fuel pump relay</li> </ul>

# TROUBLE DIAGNOSIS

TEST ITEM	CONDITION	JUDGEMENT	CHECK ITEM (REMEDY)
PURG VOL CONT/V	<ul style="list-style-type: none"> <li>● Engine: After warming up, run engine at 1,500 rpm.</li> <li>● Change the EVAP canister purge volume control solenoid valve opening percent using CONSULT-II.</li> </ul>	Engine speed changes according to the opening percent.	<ul style="list-style-type: none"> <li>● Harness and connectors</li> <li>● Solenoid valve</li> </ul>
FUEL/T TEMP SEN	<ul style="list-style-type: none"> <li>● Change the fuel tank temperature using CONSULT-II.</li> </ul>		
VENT CONTROL/V	<ul style="list-style-type: none"> <li>● Ignition switch: ON (Engine stopped)</li> <li>● Turn solenoid valve "ON" and "OFF" with the CONSULT-II and listen to operating sound.</li> </ul>	Solenoid valve makes an operating sound.	<ul style="list-style-type: none"> <li>● Harness and connectors</li> <li>● Solenoid valve</li> </ul>
V/T ASSIGN ANGLE	<ul style="list-style-type: none"> <li>● Engine: Return to the original trouble condition</li> <li>● Change intake valve timing using CONSULT-II.</li> </ul>	If trouble symptom disappears, see CHECK ITEM.	<ul style="list-style-type: none"> <li>● Harness and connectors</li> <li>● Intake valve timing control solenoid valve</li> </ul>

\*: Leaving cooling fan "OFF" with CONSULT-II while engine is running may cause the engine to overheat.

## DTC & SRT CONFIRMATION MODE

### SRT STATUS Mode

For details, refer to [EC-61, "SYSTEM READINESS TEST \(SRT\) CODE"](#) .

### SRT Work Support Mode

This mode enables a technician to drive a vehicle to set the SRT while monitoring the SRT status.

### DTC Work Support Mode

Test mode	Test item	Condition	Reference page
EVAP SYSTEM	PURGE FLOW P0441	Refer to corresponding trouble diagnosis for DTC.	<a href="#">EC-323</a>
	EVAP SML LEAK P0442/P1442*		<a href="#">EC-328</a>
	EVAP V/S SML LEAK P0456/P1456*		<a href="#">EC-377</a>
	PURG VOL CN/V P1444		<a href="#">EC-497</a>
HO2S1	HO2S1 (B1) P0133		<a href="#">EC-217</a>
	HO2S1 (B1) P0134		<a href="#">EC-230</a>
	HO2S1 (B1) P1143		<a href="#">EC-436</a>
	HO2S1 (B1) P1144		<a href="#">EC-442</a>
	HO2S1 (B2) P0153		<a href="#">EC-217</a>
	HO2S1 (B2) P0154		<a href="#">EC-230</a>
	HO2S1 (B2) P1163		<a href="#">EC-436</a>
	HO2S1 (B2) P1164		<a href="#">EC-442</a>
HO2S2	HO2S2 (B1) P0139		<a href="#">EC-249</a>
	HO2S2 (B1) P1146		<a href="#">EC-449</a>
	HO2S2 (B1) P1147	<a href="#">EC-460</a>	
	HO2S2 (B2) P0159	<a href="#">EC-249</a>	
	HO2S2 (B2) P1166	<a href="#">EC-449</a>	
	HO2S2 (B2) P1167	<a href="#">EC-460</a>	

\*: DTC P1442 and P1456 does not apply to Z33 models but appears in DTC Work Support Mode screens.

# TROUBLE DIAGNOSIS

## REAL TIME DIAGNOSIS IN DATA MONITOR MODE (RECORDING VEHICLE DATA)

### Description

CONSULT-II has two kinds of triggers and they can be selected by touching "SETTING" in "DATA MONITOR" mode.

#### 1. "AUTO TRIG" (Automatic trigger):

- The malfunction will be identified on the CONSULT-II screen in real time.

In other words, DTC/1st trip DTC and malfunction item will be displayed if the malfunction is detected by ECM.

At the moment a malfunction is detected by ECM, "MONITOR" in "DATA MONITOR" screen is changed to "Recording Data ... xx%" as shown at right, and the data after the malfunction detection is recorded. Then when the percentage reached 100%, "REAL-TIME DIAG" screen is displayed. If "STOP" is touched on the screen during "Recording Data ... xx%", "REAL-TIME DIAG" screen is also displayed.

The recording time after the malfunction detection and the recording speed can be changed by "TRIGGER POINT" and "Recording Speed". Refer to CONSULT-II OPERATION MANUAL.

#### 2. "MANU TRIG" (Manual trigger):

- DTC/1st trip DTC and malfunction item will not be displayed automatically on CONSULT-II screen even though a malfunction is detected by ECM.

DATA MONITOR can be performed continuously even though a malfunction is detected.

DATA MONITOR	
Recording Data...11%	NO DTC
ENG SPEED	XXX rpm
MAS A/F SE-B1	XXX V
COOLAN TEMP/S	XXX °C
HO2S1 (B1)	XXX V
VHCL SPEED SE	XXX km/h

SEF705Y

SET RECORDING CONDITION
AUTO TRIG
MANU TRIG
TRIGGER POINT
<div style="border: 1px solid black; width: 100%; height: 15px; margin-bottom: 2px;"></div> <div style="display: flex; justify-content: space-between; font-size: small;"> <span>0%</span> <span>20%</span> <span>40%</span> <span>60%</span> <span>80%</span> <span>100%</span> </div>
RECORDING SPEED
<div style="display: flex; justify-content: space-between; font-size: small;"> <span>MIN</span> <span>MAX</span> </div> <div style="border: 1px solid black; width: 100%; height: 15px; margin-bottom: 2px;"></div> <div style="display: flex; justify-content: space-between; font-size: x-small;"> <span>/64</span> <span>/32</span> <span>/16</span> <span>/8</span> <span>/4</span> <span>/2</span> <span>FULL</span> </div>

SEF707X

A  
EC  
C  
D  
E  
F  
G  
H  
I  
J  
K  
L  
M

# TROUBLE DIAGNOSIS

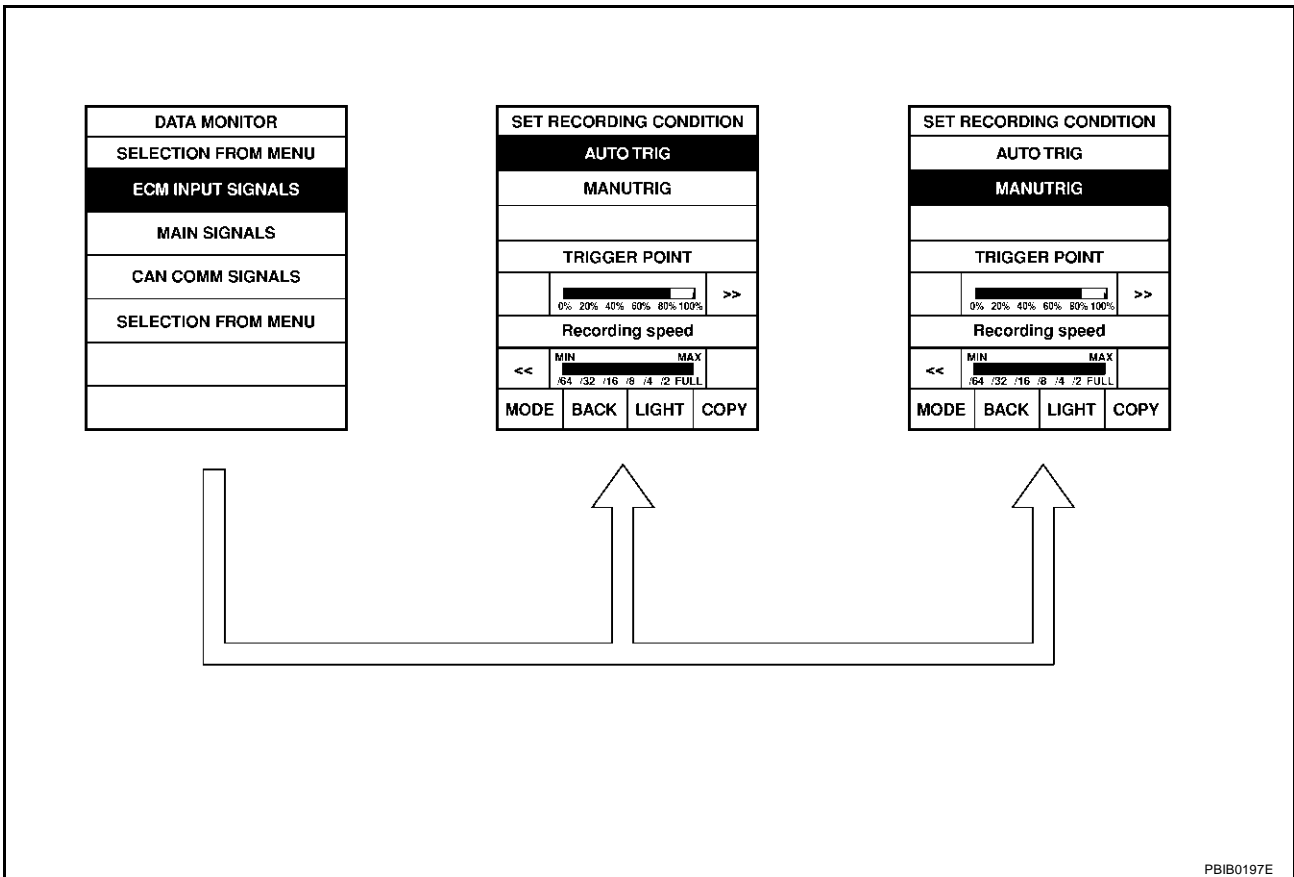
## Operation

### 1. "AUTO TRIG"

- While trying to detect the DTC/1st trip DTC by performing the "DTC Confirmation Procedure", be sure to select to "DATA MONITOR (AUTO TRIG)" mode. You can confirm the malfunction at the moment it is detected.
- While narrowing down the possible causes, CONSULT-II should be set in "DATA MONITOR (AUTO TRIG)" mode, especially in case the incident is intermittent. When you are inspecting the circuit by gently shaking (or twisting) the suspicious connectors, components and harness in the "DTC Confirmation Procedure", the moment a malfunction is found the DTC/1st trip DTC will be displayed. (Refer to "INCIDENT SIMULATION TESTS" in [GI-27, "How to Perform Efficient Diagnosis for an Electrical Incident"](#) .)

### 2. "MANU TRIG"

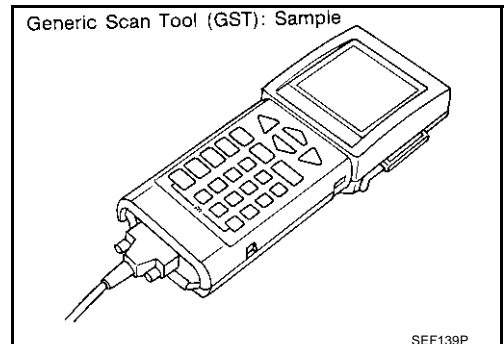
- If the malfunction is displayed as soon as "DATA MONITOR" is selected, reset CONSULT-II to "MANU TRIG". By selecting "MANU TRIG" you can monitor and store the data. The data can be utilized for further diagnosis, such as a comparison with the value for the normal operating condition.



## Generic Scan Tool (GST) Function DESCRIPTION

ABS000S5

Generic Scan Tool (OBDII scan tool) complying with SAE J1978 has 8 different functions explained below. ISO9141 is used as the protocol. The name "GST" or "Generic Scan Tool" is used in this service manual.



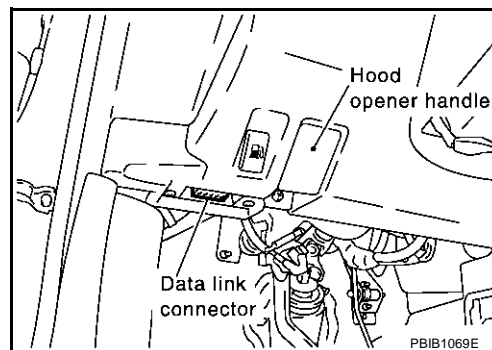
# TROUBLE DIAGNOSIS

## FUNCTION

Diagnostic test mode		Function
MODE 1	READINESS TESTS	This mode gains access to current emission-related data values, including analog inputs and outputs, digital inputs and outputs, and system status information.
MODE 2	(FREEZE DATA)	This mode gains access to emission-related data value which were stored by ECM during the freeze frame. For details, refer to <a href="#">EC-60, "FREEZE FRAME DATA AND 1ST TRIP FREEZE FRAME DATA"</a> .
MODE 3	DTCs	This mode gains access to emission-related power train trouble codes which were stored by ECM.
MODE 4	CLEAR DIAG INFO	This mode can clear all emission-related diagnostic information. This includes: <ul style="list-style-type: none"> <li>● Clear number of diagnostic trouble codes (MODE 1)</li> <li>● Clear diagnostic trouble codes (MODE 3)</li> <li>● Clear trouble code for freeze frame data (MODE 1)</li> <li>● Clear freeze frame data (MODE 2)</li> <li>● Reset status of system monitoring test (MODE 1)</li> <li>● Clear on board monitoring test results (MODE 6 and 7)</li> </ul>
MODE 6	(ON BOARD TESTS)	This mode accesses the results of on board diagnostic monitoring tests of specific components/systems that are not continuously monitored.
MODE 7	(ON BOARD TESTS)	This mode enables the off board test drive to obtain test results for emission-related powertrain components/systems that are continuously monitored during normal driving conditions.
MODE 8	—	This mode can close EVAP system in ignition switch "ON" position (Engine stopped). When this mode is performed, the following parts can be opened or closed. <ul style="list-style-type: none"> <li>● EVAP canister vent control valve open</li> </ul> In the following conditions, this mode cannot function. <ul style="list-style-type: none"> <li>● Low ambient temperature</li> <li>● Low battery voltage</li> <li>● Engine running</li> <li>● Ignition switch "OFF"</li> <li>● Low fuel temperature</li> <li>● Too much pressure is applied to EVAP system</li> </ul>
MODE 9	(CALIBRATION ID)	This mode enables the off-board test device to request specific vehicle information such as Vehicle Identification Number (VIN) and Calibration IDs.

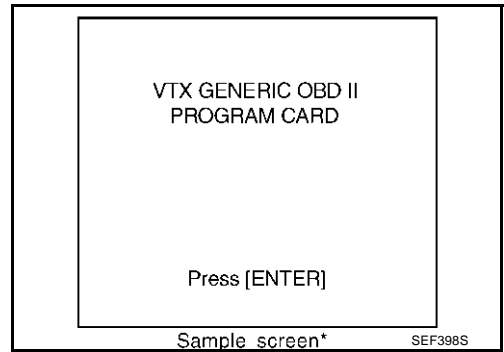
## INSPECTION PROCEDURE

1. Turn ignition switch OFF.
2. Connect "GST" to data link connector, which is located under LH dash panel near the hood opener handle.

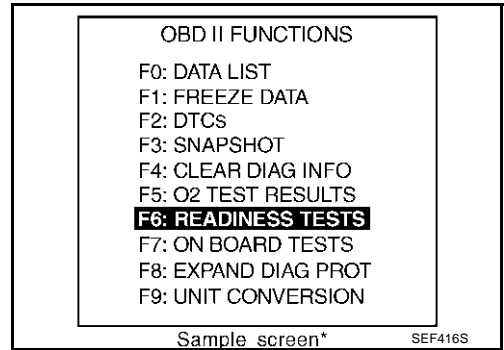


# TROUBLE DIAGNOSIS

3. Turn ignition switch ON.
4. Enter the program according to instruction on the screen or in the operation manual.  
(\*: Regarding GST screens in this section, sample screens are shown.)



5. Perform each diagnostic mode according to each service procedure.  
**For further information, see the GST Operation Manual of the tool maker.**



# TROUBLE DIAGNOSIS

## CONSULT-II Reference Value in Data Monitor

ABS00056

Remarks:

● Specification data are reference values.

● Specification data are output/input values which are detected or supplied by the ECM at the connector.

\* Specification data may not be directly related to their components signals/values/operations.

i.e. Adjust ignition timing with a timing light before monitoring IGN TIMING, because the monitor may show the specification data in spite of the ignition timing not being adjusted to the specification data. This IGN TIMING monitors the data calculated by the ECM according to the signals input from the camshaft position sensor and other ignition timing related sensors.

MONITOR ITEM	CONDITION		SPECIFICATION
ENG SPEED	● Run engine and compare CONSULT-II value with the tachometer indication.		Almost the same speed as the tachometer indication.
MAS A/F SE-B1	● Engine: After warming up ● Air conditioner switch: OFF	Idle	Approx. 1.1 - 1.5V
	● Shift lever: N (A/T), Neutral (M/T) ● No-load	2,500 rpm	Approx. 1.6 - 2.4V
B/FUEL SCHDL	● Engine: After warming up ● Shift lever: N (A/T), Neutral (M/T)	Idle	2.5 - 3.5 msec
	● Air conditioner switch: OFF ● No-load	2,000 rpm	2.5 - 3.5 msec
A/F ALPHA-B1 A/F ALPHA-B2	● Engine: After warming up	Maintaining engine speed at 2,000 rpm	54% - 155%
COOLAN TEMP/S	● Engine: After warming up		More than 70°C (158°F)
HO2S1 (B1) HO2S1 (B2)	● Engine: After warming up	Maintaining engine speed at 2,000 rpm	0 - 0.3V ↔ Approx. 0.6 - 1.0V
HO2S2 (B1) HO2S2 (B2)	● Warm-up condition ● After keeping engine speed between 3,500 and 4,000 rpm for one minute and at idle for one minute under no load.	Revving engine from idle to 3,000 rpm quickly.	0 - 0.3V ↔ Approx. 0.6 - 1.0V
HO2S1 MNTR (B1) HO2S1 MNTR (B2)	● Engine: After warming up	Maintaining engine speed at 2,000 rpm	LEAN ↔ RICH Changes more than 5 times during 10 seconds.
HO2S2 MNTR (B1) HO2S2 MNTR (B2)	● Warm-up condition ● After keeping engine speed between 3,500 and 4,000 rpm for one minute and at idle for one minute under no load.	Revving engine from idle to 3,000 rpm quickly.	LEAN ↔ RICH
VHCL SPEED SE	● Turn drive wheels and compare CONSULT-II value with the speedometer indication.		Almost the same speed as the speedometer indication
BATTERY VOLT	● Ignition switch: ON (Engine stopped)		11 - 14V
ACCEL SEN1	● Ignition switch: ON (Engine stopped)	Accelerator pedal: Fully released	0.5 - 1.0V
		Accelerator pedal: Fully depressed	4.0 - 4.8V
ACCEL SEN2*	● Ignition switch: ON (Engine stopped)	Accelerator pedal: Fully released	0.3 - 1.2V
		Accelerator pedal: Fully depressed	3.9 - 4.8V
THRTL SEN1 THRTL SEN2*	● Ignition switch: ON (Engine stopped) ● Shift lever: D (A/T), 1st (M/T)	Accelerator pedal: Fully released	More than 0.36V
		Accelerator pedal: Fully depressed	Less than 4.75V
EVAP SYS PRES	● Ignition switch: ON		Approx. 1.8 - 4.8V
START SIGNAL	● Ignition switch: ON → START → ON		OFF → ON → OFF
CLSD THL POS	● Ignition switch: ON (Engine stopped)	Accelerator pedal: Fully released	ON
		Accelerator pedal: Slightly depressed	OFF

# TROUBLE DIAGNOSIS

MONITOR ITEM	CONDITION		SPECIFICATION
AIR COND SIG	● Engine: After warming up, idle the engine	Air conditioner switch: OFF	OFF
		Air conditioner switch: ON (Compressor operates.)	ON
P/N POSI SW	● Ignition switch: ON	Shift lever: P or N (A/T), Neutral (M/T)	ON
		Shift lever: Except above	OFF
PW/ST SIGNAL	● Engine: After warming up, idle the engine	Steering wheel is in neutral position. (Forward direction)	OFF
		Steering wheel is turned.	ON
LOAD SIGNAL	● Ignition switch: ON	Rear window defogger switch is ON and/or lighting switch is in 2nd.	ON
		Rear window defogger switch is OFF and lighting switch is OFF.	OFF
IGNITION SW	● Ignition switch: ON → OFF → ON		ON → OFF → ON
HEATER FAN SW	● Engine: After warming up, idle the engine	Heater fan is operating.	ON
		Heater fan is not operating	OFF
BRAKE SW	● Ignition switch: ON	Brake pedal: Fully released	OFF
		Brake pedal: Slightly depressed	ON
INJ PULSE-B1 INJ PULSE-B2	● Engine: After warming up ● Shift lever: N (A/T), Neutral (M/T) ● Air conditioner switch: OFF ● No-load	Idle	2.0 - 3.0 msec
		2,000 rpm	1.9 - 2.9 msec
IGN TIMING	● Engine: After warming up ● Shift lever: N (A/T), Neutral (M/T) ● Air conditioner switch: OFF ● No-load	Idle	13° - 18° BTDC
		2,000 rpm	25° - 45° BTDC
CAL/LD VALUE	● Engine: After warming up ● Shift lever: N (A/T), Neutral (M/T) ● Air conditioner switch: OFF ● No-load	Idle	5% - 35%
		2,500 rpm	5% - 35%
MASS AIRFLOW	● Engine: After warming up ● Shift lever: N (A/T), Neutral (M/T) ● Air conditioner switch: OFF ● No-load	Idle	2.0 - 6.0 g-m/s
		2,500 rpm	7.0 - 20.0 g-m/s
PURG VOL C/V	● Engine: After warming up ● Shift lever: N (A/T), Neutral (M/T) ● Air conditioner switch: OFF ● No-load	Idle	0%
		2,000 rpm	—
INT/V TIM (B1) INT/V TIM (B2)	● Engine: After warming up ● Shift lever: N (A/T), Neutral (M/T) ● Air conditioner switch: OFF ● No-load	Idle	-5° - 5°C
		When revving engine up to 2,000 rpm quickly	Approx. 0° - 30°C
INT/V SOL (B1) INT/V SOL (B2)	● Engine: After warming up ● Shift lever: N (A/T), Neutral (M/T) ● Air conditioner switch: OFF ● No-load	Idle	0% - 2%
		When revving engine up to 2,000 rpm quickly	Approx. 0% - 50%
AIR COND RLY	● Engine: After warming up, idle the engine	Air conditioner switch: OFF	OFF
		Air conditioner switch: ON (Compressor operates)	ON



# TROUBLE DIAGNOSIS

MONITOR ITEM	CONDITION		SPECIFICATION
FUEL PUMP RLY	<ul style="list-style-type: none"> <li>For 1 second after turning ignition switch ON</li> <li>Engine running or cranking</li> </ul>		ON
	<ul style="list-style-type: none"> <li>Except above conditions</li> </ul>		OFF
VENT CONT/V	<ul style="list-style-type: none"> <li>Ignition switch: ON</li> </ul>		OFF
THRTL RELAY	<ul style="list-style-type: none"> <li>Ignition switch: ON</li> </ul>		ON
COOLING FAN	<ul style="list-style-type: none"> <li>Engine: After warming up, idle the engine</li> <li>Air conditioner switch: OFF</li> </ul>	Engine coolant temperature is 94°C (201°F) or less	OFF
		Engine coolant temperature is between 95°C (203°F) and 99°C (210°F)	LOW
		Engine coolant temperature is 100°C (212°F) or more	HI
HO2S1 HTR (B1) HO2S1 HTR (B2)	<ul style="list-style-type: none"> <li>Engine: After warming up</li> <li>Engine speed: Below 3,600 rpm</li> </ul>		ON
	<ul style="list-style-type: none"> <li>Engine speed: Above 3,600 rpm</li> </ul>		OFF
HO2S2 HTR (B1) HO2S2 HTR (B2)	<ul style="list-style-type: none"> <li>Engine speed is below 3,600 rpm after the following conditions are met.                             <ul style="list-style-type: none"> <li>Engine: After warming up</li> <li>Keeping the engine speed between 3,500 and 4,000 rpm for one minute and at idle for one minute under no load</li> </ul> </li> </ul>		ON
	<ul style="list-style-type: none"> <li>Engine speed: Above 3,600 rpm</li> </ul>		OFF
I/P PULLY SPD	<ul style="list-style-type: none"> <li>Vehicle speed: More than 20 km/h (12 MPH)</li> </ul>		Almost the same speed as the tachometer indication
VEHICLE SPEED	<ul style="list-style-type: none"> <li>Turn drive wheels and compare CONSULT-II value with the speedometer indication.</li> </ul>		Almost the same speed as the speedometer indication
TRVL AFTER MIL	<ul style="list-style-type: none"> <li>Ignition switch: ON</li> </ul>	Vehicle has traveled after MIL has turned ON.	0 - 65,535 km (0 - 40,723 mile)
O2SEN HTR DTY	<ul style="list-style-type: none"> <li>Engine coolant temperature when engine started: More than 80°C (176°F)</li> <li>Engine speed: Below 3,600 rpm</li> </ul>		Approx. 40%
AC PRESS SEN	<ul style="list-style-type: none"> <li>Ignition switch: ON (Engine stopped)</li> </ul>		Approx. 0V
	<ul style="list-style-type: none"> <li>Engine: Idle</li> <li>Air conditioner switch: OFF</li> </ul>		1.0 - 4.0V
VEH SPEED SE	<ul style="list-style-type: none"> <li>Turn drive wheels and compare CONSULT-II value with the speedometer indication.</li> </ul>		Almost the same speed as the speedometer indication
SET VHCL SPD	<ul style="list-style-type: none"> <li>Engine: Running</li> </ul>	ASCD: Operating.	The preset vehicle speed is displayed.
MAIN SW	<ul style="list-style-type: none"> <li>Ignition switch: ON</li> </ul>	CRUISE switch: Pressed	ON
		CRUISE switch: Released	OFF
CANCEL SW	<ul style="list-style-type: none"> <li>Ignition switch: ON</li> </ul>	CANCEL switch: Pressed	ON
		CANCEL switch: Released	OFF
RESUME/ACC SW	<ul style="list-style-type: none"> <li>Ignition switch: ON</li> </ul>	ACCEL/RES switch: Pressed	ON
		ACCEL/RES switch: Released	OFF
SET SW	<ul style="list-style-type: none"> <li>Ignition switch: ON</li> </ul>	COAST/SET switch: Pressed	ON
		COAST/SET switch: Released	OFF
BRAKE SW1	<ul style="list-style-type: none"> <li>Ignition switch: ON</li> </ul>	Clutch pedal (M/T) and brake pedal: Fully released	ON
		Clutch pedal (M/T) and/or brake pedal: Slightly depressed	OFF
BRAKE SW2	<ul style="list-style-type: none"> <li>Ignition switch: ON</li> </ul>	Brake pedal: Fully released	OFF
		Brake pedal: Slightly depressed	ON

## TROUBLE DIAGNOSIS

MONITOR ITEM	CONDITION		SPECIFICATION
CRUISE LAMP	● Ignition switch: ON	CRUISE lamp: Illuminated	ON
		CRUISE lamp: Not illuminated	OFF
SET LAMP	● Ignition switch: ON	SET lamp: Illuminated	ON
		SET lamp: Not illuminated	OFF

\*: Accelerator pedal position sensor 2 signal and throttle position sensor 2 signal are converted by ECM internally. Thus, they differ from ECM terminals voltage signal.

# TROUBLE DIAGNOSIS

ABS000S7

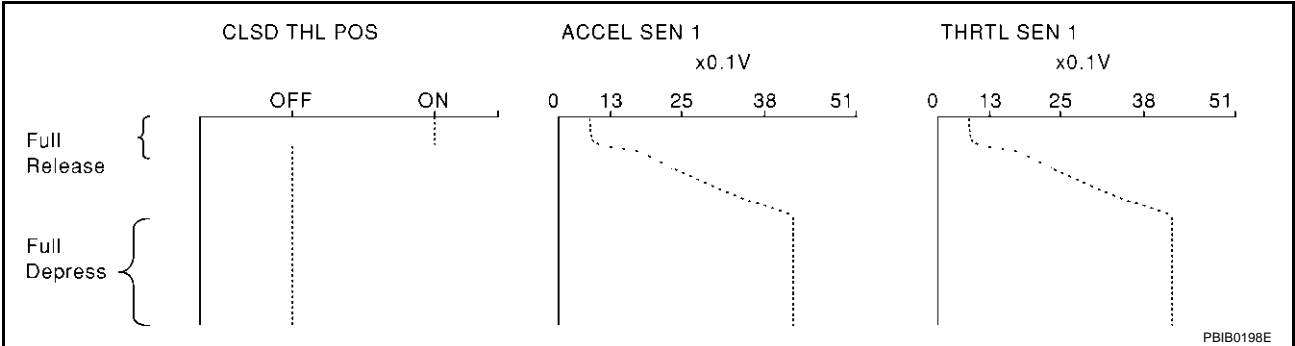
## Major Sensor Reference Graph in Data Monitor Mode

The following are the major sensor reference graphs in "DATA MONITOR" mode.

### CLSD THL POS, ACCEL SEN 1, THRTL SEN 1

Below is the data for "CLSD THL POS", "ACCEL SEN 1" and "THRTL SEN 1" when depressing the accelerator pedal with the ignition switch "ON" and with selector lever in "D" position.

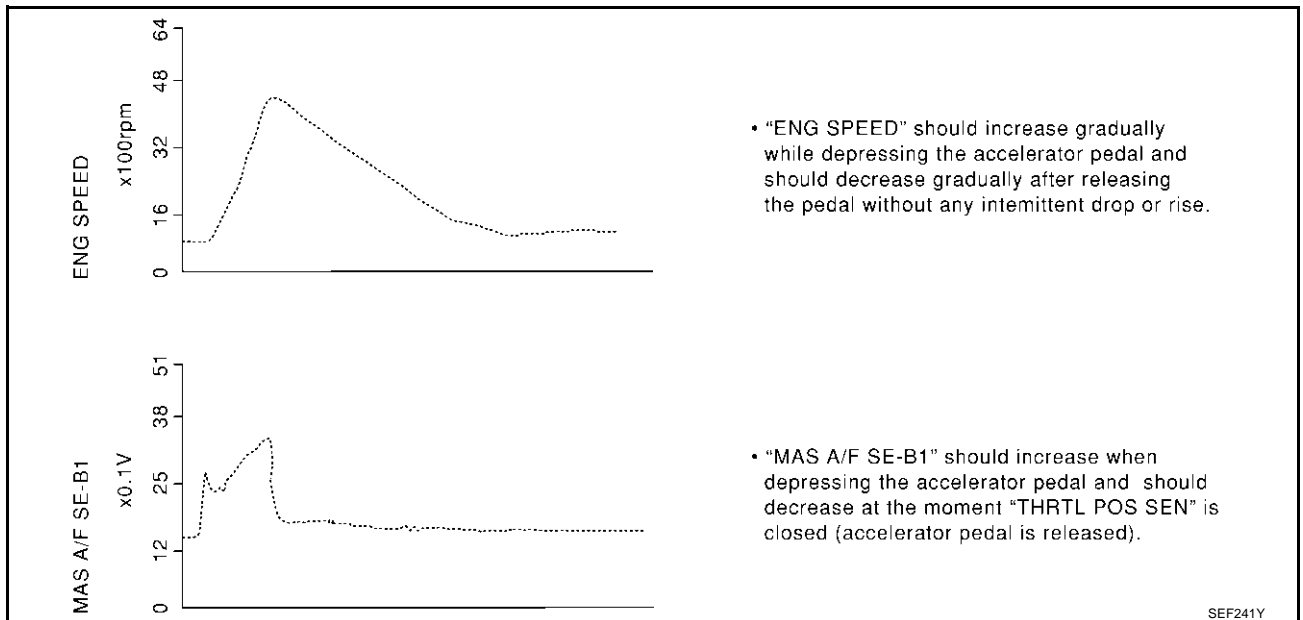
The signal of "ACCEL SEN 1" and "THRTL SEN 1" should rise gradually without any intermittent drop or rise after "CLSD THL POS" is changed from "ON" to "OFF".



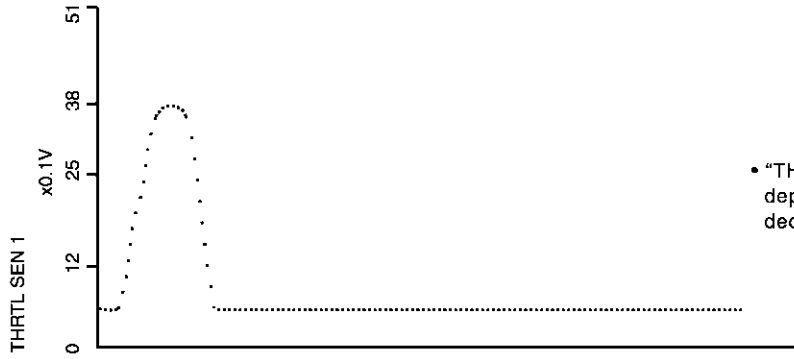
### ENG SPEED, MAS A/F SE-B1, THRTL SEN 1, HO2S2 (B1), HO2S1 (B1), INJ PULSE-B1

Below is the data for "ENG SPEED", "MAS A/F SE-B1", "THRTL SEN 1", "HO2S2 (B1)", "HO2S1 (B1)" and "INJ PULSE-B1" when revving engine quickly up to 4,800 rpm under no load after warming up engine sufficiently.

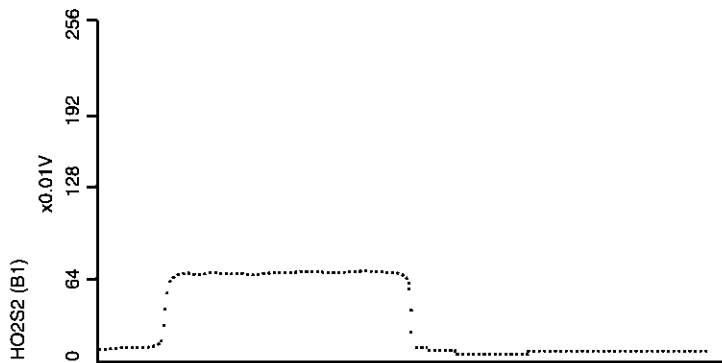
Each value is for reference, the exact value may vary.



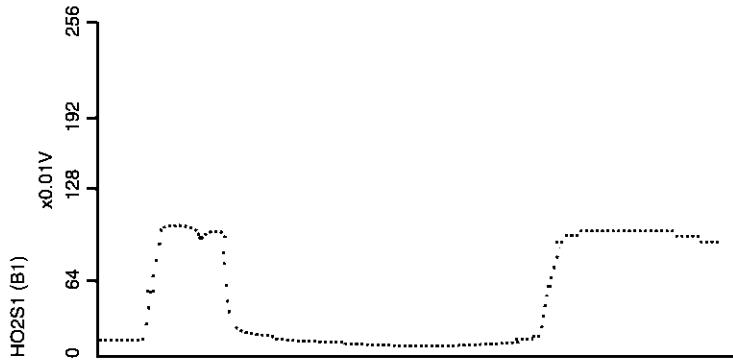
# TROUBLE DIAGNOSIS



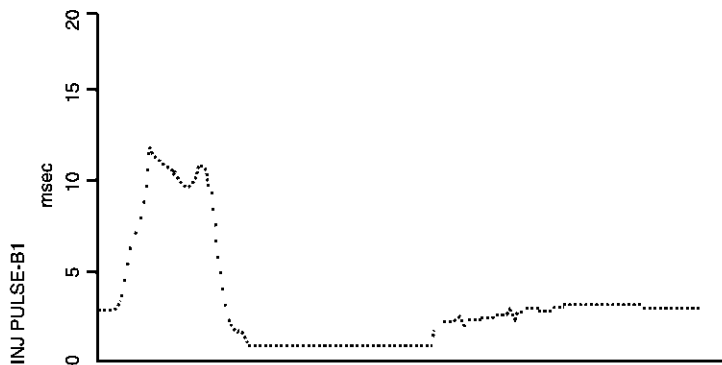
- "THRTL SEN 1" should increase while depressing the accelerator pedal and should decrease while releasing it.



- "HO2S2 (B1)" may increase immediately after depressing the accelerator pedal and may decrease after releasing the pedal.



- "HO2S1 (B1)" may increase immediately after depressing the accelerator pedal and may decrease after releasing the pedal.



- "INJ PULSE-B1" should increase when depressing the accelerator pedal and should decrease when the pedal is released.

PBIB0668E

# TROUBLE DIAGNOSIS - SPECIFICATION VALUE

## TROUBLE DIAGNOSIS - SPECIFICATION VALUE

PPF:00031

### Description

ABS000S8

The specification (SP) value indicates the tolerance of the value that is displayed in "DATA MONITOR (SPEC)" mode of CONSULT-II during normal operation of the Engine Control System. When the value in "DATA MONITOR (SPEC)" mode is within the SP value, the Engine Control System is confirmed OK. When the value in "DATA MONITOR (SPEC)" mode is NOT within the SP value, the Engine Control System may have one or more malfunctions.

The SP value is used to detect malfunctions that may affect the Engine Control System, but will not light the MIL.

The SP value will be displayed for the following three items:

- B/FUEL SCHDL (The fuel injection pulse width programmed into ECM prior to any learned on board correction)
- A/F ALPHA-B1/B2 (The mean value of air-fuel ratio feedback correction factor per cycle)
- MAS A/F SE-B1 (The signal voltage of the mass air flow sensor)

### Testing Condition

ABS000S9

- Vehicle driven distance: More than 5,000 km (3,017 miles)
- Barometric pressure: 98.3 - 104.3 kPa (1.003 - 1.064 kg/cm<sup>2</sup> , 14.25 - 15.12 psi)
- Atmospheric temperature: 20 - 30°C (68 - 86°F)
- Engine coolant temperature: 75 - 95°C (167 - 203°F)
- Transmission: Warmed-up\*<sup>1</sup>
- Electrical load: Not applied\*<sup>2</sup>
- Engine speed: Idle

\*1: For A/T models, after the engine is warmed up to normal operating temperature, drive vehicle until "FLUID TEMP SE" (A/T fluid temperature sensor signal) indicates more than 60°C (140°F).

For M/T models, after the engine is warmed up to normal operating temperature, drive vehicle for 5 minutes.

\*2: Rear window defogger switch, air conditioner switch, lighting switch are "OFF". Steering wheel is straight ahead.

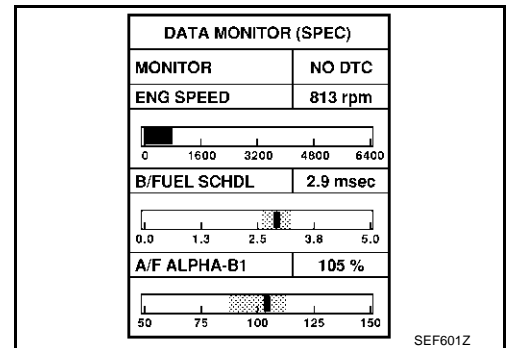
### Inspection Procedure

ABS000SA

#### NOTE:

Perform "DATA MONITOR (SPEC)" mode in maximum scale display.

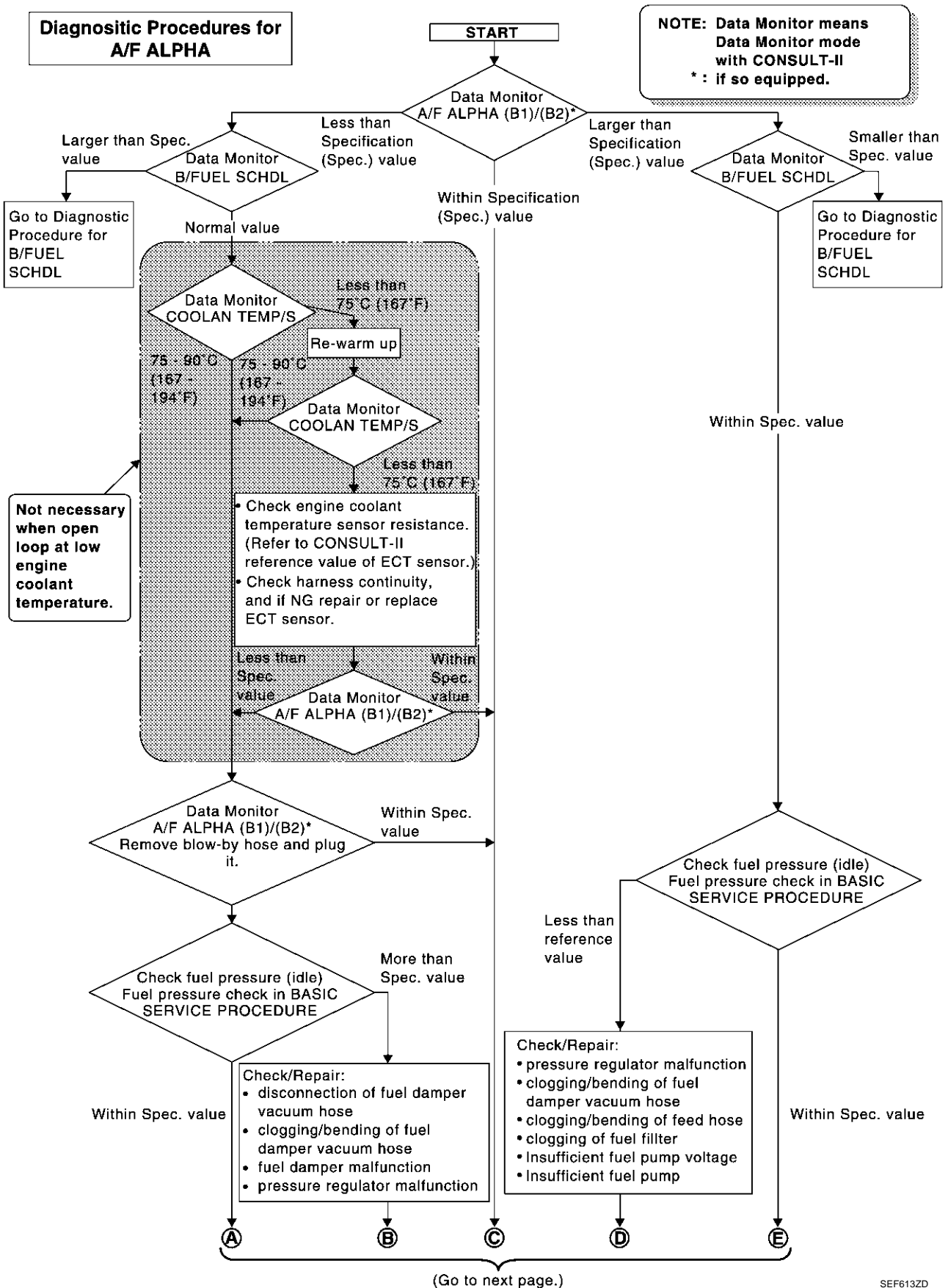
1. Perform [EC-86, "Basic Inspection"](#) .
2. Confirm that the testing conditions indicated above are met.
3. Select "B/FUEL SCHDL", "A/F ALPHA-B1", "A/F ALPHA-B2" and "MAS A/F SE-B1" in "DATA MONITOR (SPEC)" mode with CONSULT-II.
4. Make sure that monitor items are within the SP value.
5. If NG, go to [EC-134, "Diagnostic Procedure"](#) .



# TROUBLE DIAGNOSIS - SPECIFICATION VALUE

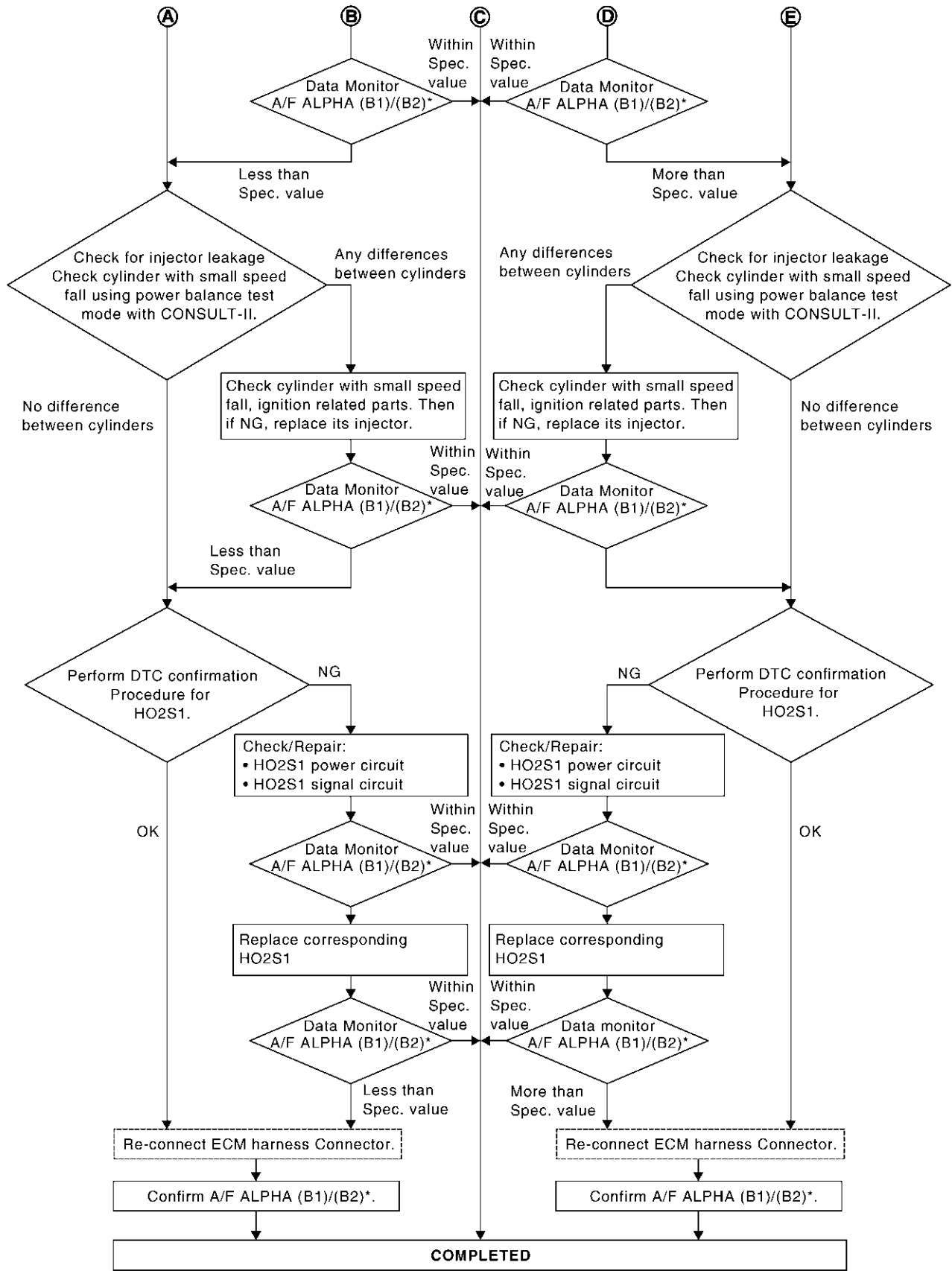
## Diagnostic Procedure

ABS000SB



SEF613ZD

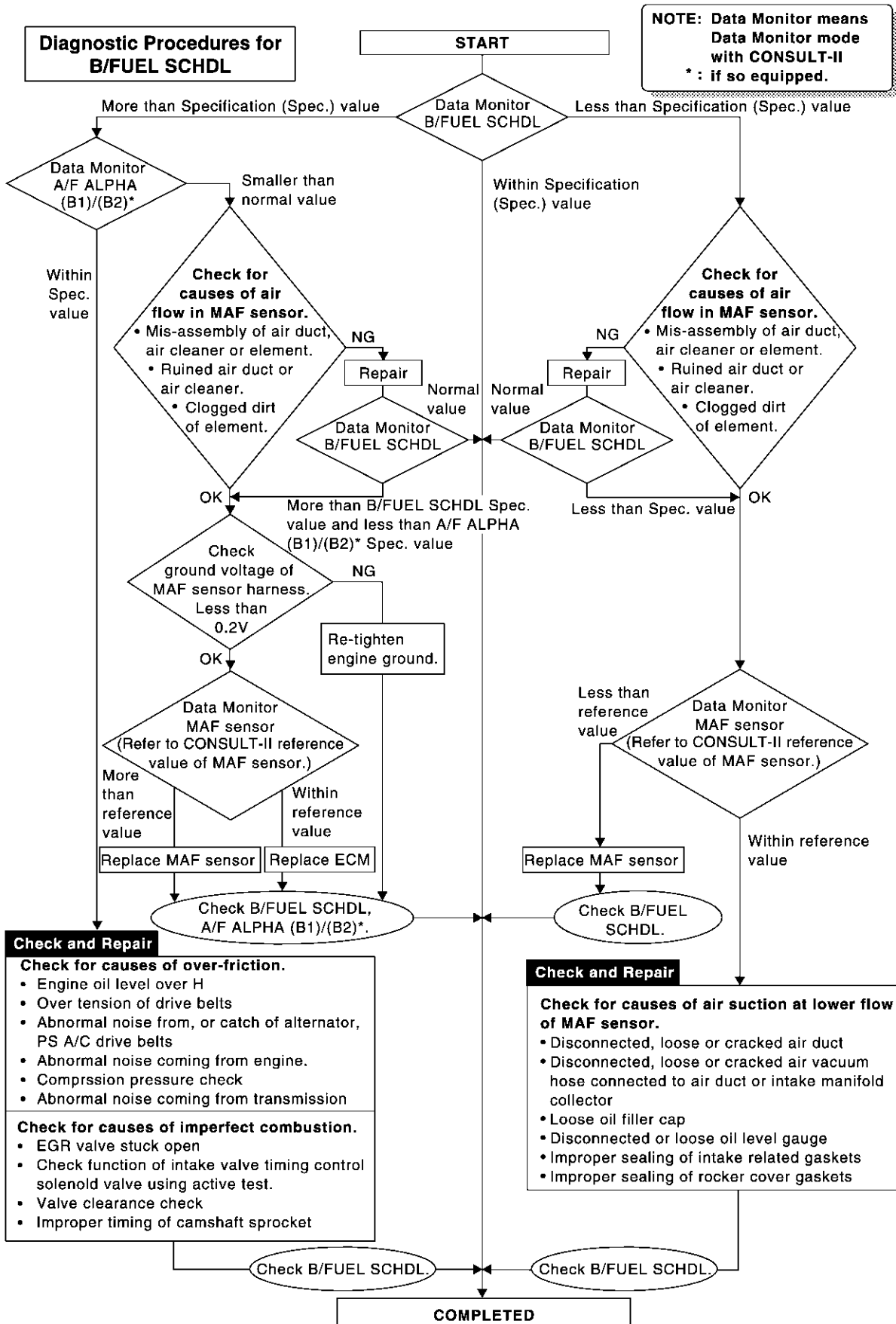
# TROUBLE DIAGNOSIS - SPECIFICATION VALUE



A  
EC  
C  
D  
E  
F  
G  
H  
I  
J  
K  
L  
M

SEF768Z

# TROUBLE DIAGNOSIS - SPECIFICATION VALUE



SEF615ZA



# TROUBLE DIAGNOSIS FOR INTERMITTENT INCIDENT

## TROUBLE DIAGNOSIS FOR INTERMITTENT INCIDENT

PFP:00006

### Description

ABS000SC

Intermittent incidents (I/I) may occur. In many cases, the malfunction resolves itself (the part or circuit function returns to normal without intervention). It is important to realize that the symptoms described in the customer's complaint often do not recur on (1st trip) DTC visits. Realize also that the most frequent cause of I/I occurrences is poor electrical connections. Because of this, the conditions under which the incident occurred may not be clear. Therefore, circuit checks made as part of the standard diagnostic procedure may not indicate the specific malfunctioning area.

### Common I/I Report Situations

STEP in Work Flow	Situation
II	The CONSULT-II is used. The SELF-DIAG RESULTS screen shows time data other than "0" or "[1t]".
III	The symptom described by the customer does not recur.
IV	(1st trip) DTC does not appear during the DTC Confirmation Procedure.
VI	The Diagnostic Procedure for PXXXX does not indicate the malfunctioning area.

### Diagnostic Procedure

ABS000SD

#### 1. INSPECTION START

Erase (1st trip) DTCs. Refer to [EC-69, "HOW TO ERASE EMISSION-RELATED DIAGNOSTIC INFORMATION"](#).

>> GO TO 2.

#### 2. CHECK GROUND TERMINALS

Check ground terminals for corroding or loose connection.

Refer to [GI-27, "How to Perform Efficient Diagnosis for an Electrical Incident"](#), "CIRCUIT INSPECTION", "Ground Inspection".

OK or NG

OK >> GO TO 3.

NG >> Repair or replace.

#### 3. SEARCH FOR ELECTRICAL INCIDENT

Perform [GI-27, "How to Perform Efficient Diagnosis for an Electrical Incident"](#), "INCIDENT SIMULATION TESTS".

OK or NG

OK >> GO TO 4.

NG >> Repair or replace.

#### 4. CHECK CONNECTOR TERMINALS

Refer to [GI-24, "How to Check Terminal"](#), "HOW TO PROBE CONNECTORS", "How to Check Enlarged Contact Spring of Terminal".

OK or NG

OK >> **INSPECTION END**

NG >> Repair or replace connector.

# POWER SUPPLY CIRCUIT FOR ECM

## POWER SUPPLY CIRCUIT FOR ECM

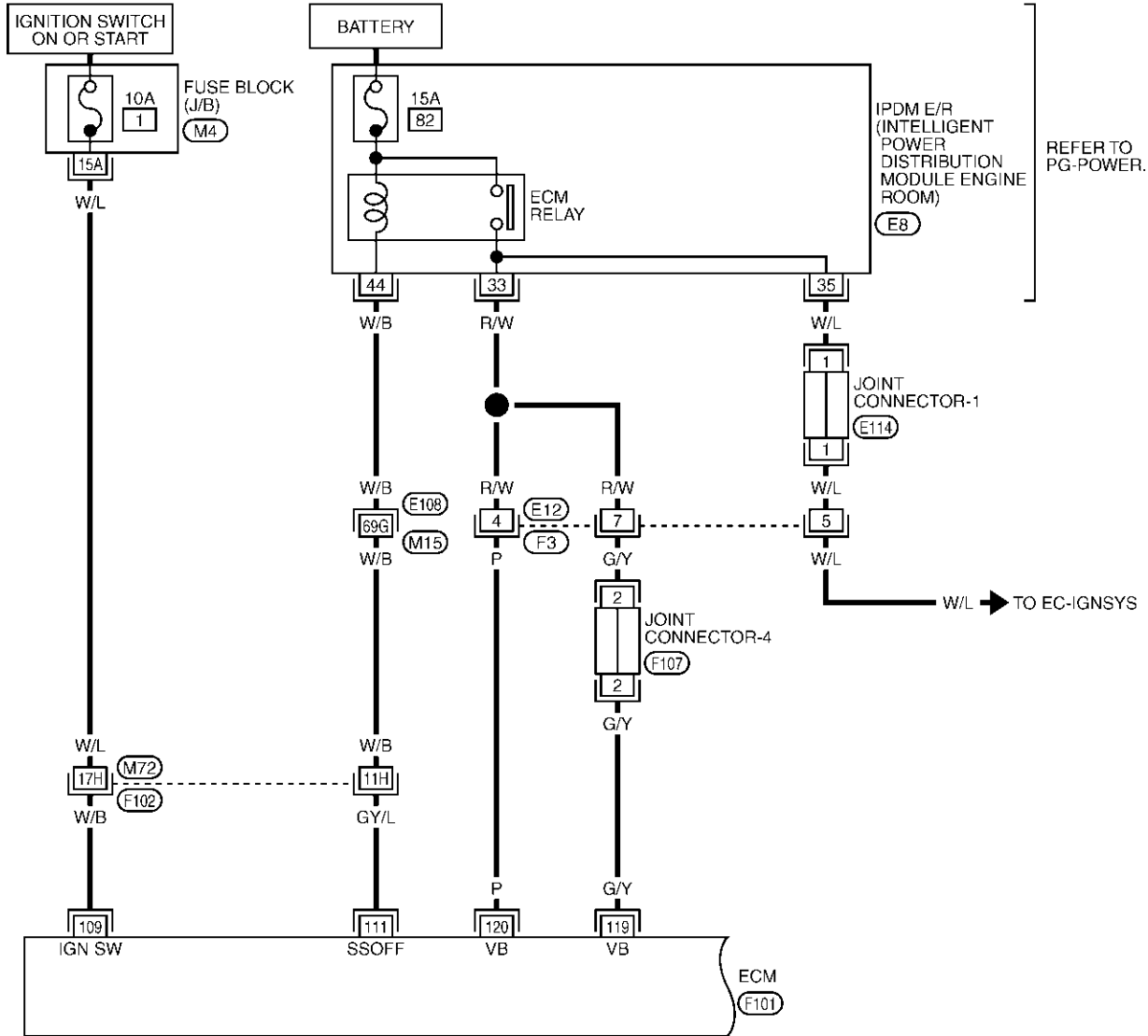
PFP:24110

### Wiring Diagram

ABS0005E

## EC-MAIN-01

— : DETECTABLE LINE FOR DTC  
 — : NON-DETECTABLE LINE FOR DTC



REFER TO PG-POWER.

W/L → TO EC-IGNSYS

35	34	33	32	31	30	29		
44	43	42	41	40	39	38	37	36

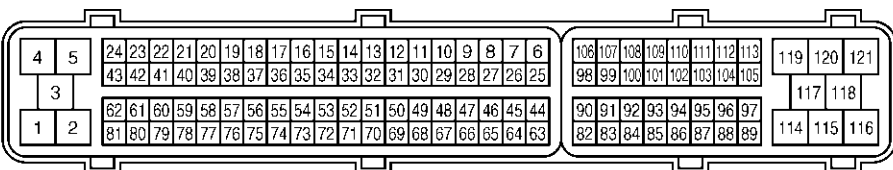
E8  
GY

1	1	1	2	2	2	3	3	3
4	4	4	4	4	4	4	4	4

F3  
B

1	1	1	1	2	2	2	2	2
3	3	3	3	3	3	3	3	3

F107  
P



F101  
B

REFER TO THE FOLLOWING.  
 (E108), (F102) -SUPER MULTIPLE JUNCTION (SMJ)  
 (M4) -FUSE BLOCK-JUNCTION BOX (J/B)

## POWER SUPPLY CIRCUIT FOR ECM

Specification data are reference values and are measured between each terminal and ground.

**CAUTION:**



**Do not use ECM ground terminals when measuring input/output voltage. Doing so may result in damage to the ECM's transistor. Use a ground other than ECM terminals, such as the ground.**

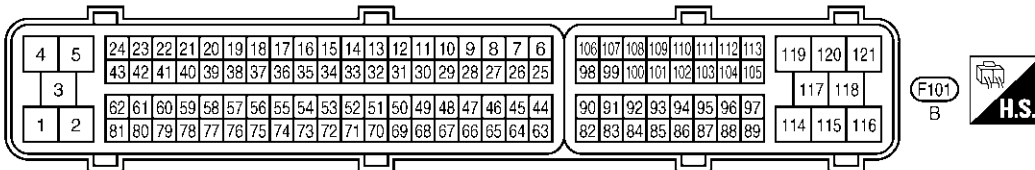
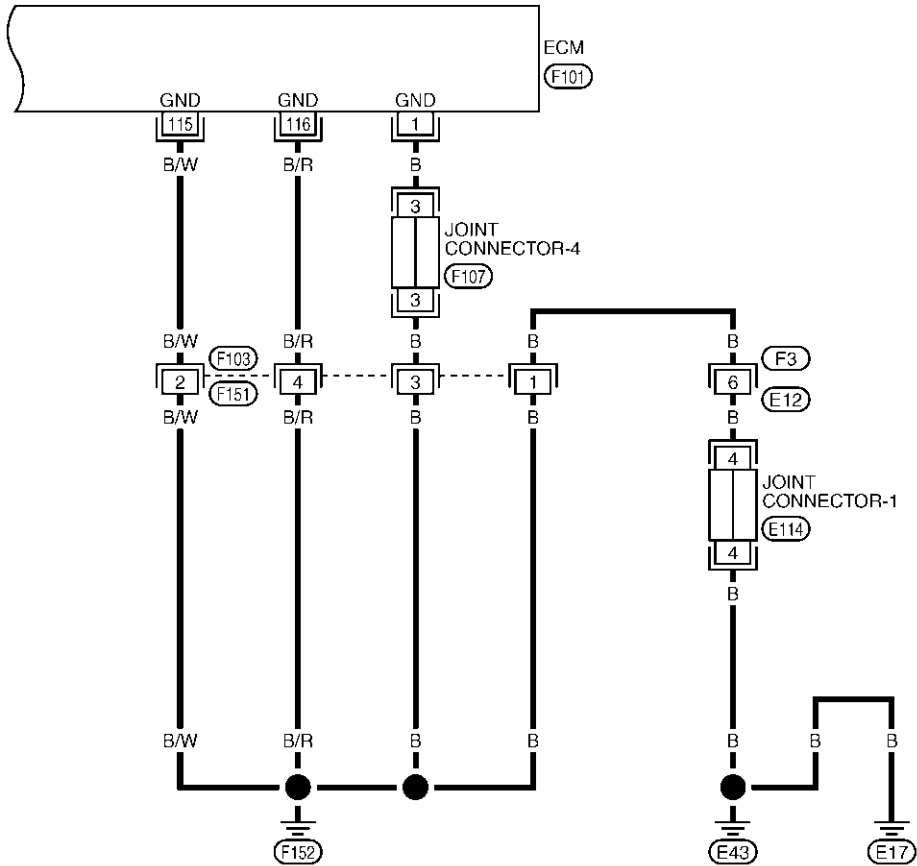
TER-MINAL NO.	WIRE COLOR	ITEM	CONDITION	DATA (DC Voltage)
109	W/B	Ignition switch	[Ignition switch "OFF"]	0V
			[Ignition switch "ON"]	BATTERY VOLTAGE (11 - 14V)
111	GY/L	ECM relay (Self shut-off)	[Engine is running] [Ignition switch "OFF"] ● For a few seconds after turning ignition switch "OFF"	0 - 1.5V
			[Ignition switch "OFF"] ● A few seconds passed after turning ignition switch "OFF"	BATTERY VOLTAGE (11 - 14V)
119 120	G/Y P	Power supply for ECM	[Ignition switch "ON"]	BATTERY VOLTAGE (11 - 14V)

A  
EC  
C  
D  
E  
F  
G  
H  
I  
J  
K  
L  
M

# POWER SUPPLY CIRCUIT FOR ECM

EC-MAIN-02

 : DETECTABLE LINE FOR DTC  
 : NON-DETECTABLE LINE FOR DTC



TBWT0192E

# POWER SUPPLY CIRCUIT FOR ECM

Specification data are reference values and are measured between each terminal and ground.

**CAUTION:**

Do not use ECM ground terminals when measuring input/output voltage. Doing so may result in damage to the ECM's transistor. Use a ground other than ECM terminals, such as the ground.

TER-MINAL NO.	WIRE COLOR	ITEM	CONDITION	DATA (DC Voltage)
1	B	ECM ground	<b>[Engine is running]</b> ● Idle speed	Engine ground
115 116	B/W B/R	ECM ground	<b>[Engine is running]</b> ● Idle speed	Engine ground

## Diagnostic Procedure

ABS000SF

### 1. INSPECTION START

Start engine.

**Is engine running?**

Yes or No

Yes >> GO TO 7.

No >> GO TO 2.

### 2. CHECK ECM POWER SUPPLY CIRCUIT-I

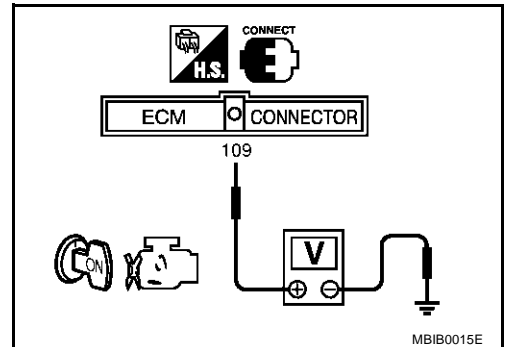
1. Turn ignition switch "OFF" and then "ON".
2. Check voltage between ECM terminal 109 and ground with CONSULT-II or tester.

**Voltage: Battery voltage**

OK or NG

OK >> GO TO 4.

NG >> GO TO 3.



### 3. DETECT MALFUNCTIONING PART

Check the following.

- Harness connectors M72, F102
- Fuse block (J/B) connector M4
- 10A fuse
- Harness for open or short between ECM and fuse

>> Repair harness or connectors.

# POWER SUPPLY CIRCUIT FOR ECM

## 4. CHECK ECM GROUND CIRCUIT FOR OPEN AND SHORT-I

1. Turn ignition switch "OFF".
2. Disconnect ECM harness connector.
3. Check harness continuity between ECM terminals 1, 115, 116 and engine ground.  
Refer to Wiring Diagram.

**Continuity should exist.**

4. Also check harness for short to power.

OK or NG

- OK >> GO TO 6.  
NG >> GO TO 5.

## 5. DETECT MALFUNCTIONING PART

Check the following.

- Joint connector-1
- Joint connector-4
- Harness connectors F103, F151
- Harness connectors F3, E12
- Harness for open or short between ECM and engine ground

>> Repair open circuit or short to power in harness or connectors.

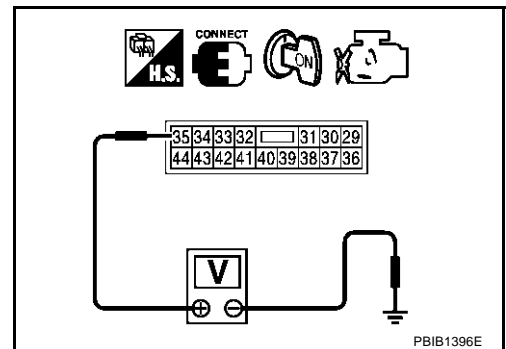
## 6. CHECK ECM POWER SUPPLY CIRCUIT-II

1. Reconnect ECM harness connector.
2. Turn ignition switch "ON".
3. Check voltage between IPDM E/R terminal 35 and ground with CONSULT-II or tester.

**Voltage: Battery voltage**

OK or NG

- OK >> Go to [EC-581, "IGNITION SIGNAL"](#).  
NG >> GO TO 7.



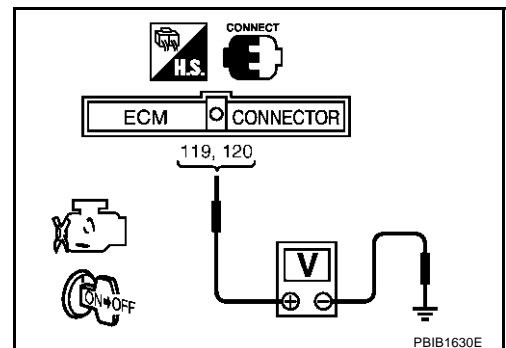
## 7. CHECK ECM POWER SUPPLY CIRCUIT-III

1. Turn ignition switch "ON" and then "OFF".
2. Check voltage between ECM terminals 119, 120 and ground with CONSULT-II or tester.

**Voltage: After turning ignition switch "OFF", battery voltage will exist for a few seconds, then drop approximately 0V.**

OK or NG

- OK >> GO TO 16.  
NG (Battery voltage does not exist.)>>GO TO 8.  
NG (Battery voltage exists for more than a few seconds.)>>GO TO 16.



# POWER SUPPLY CIRCUIT FOR ECM

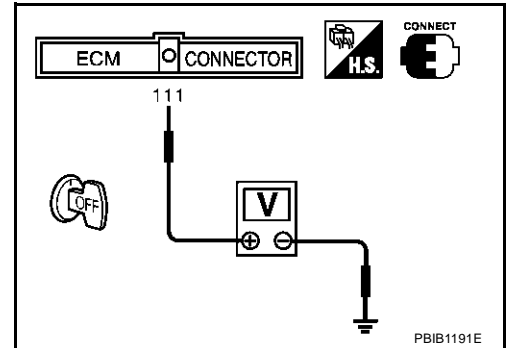
## 8. CHECK ECM POWER SUPPLY CIRCUIT-V

1. Turn ignition switch "OFF".
2. Check voltage between ECM terminal 111 and ground with CONSULT-II or tester.

**Voltage: Battery voltage**

OK or NG

- OK >> GO TO 9.  
NG >> GO TO 11.



## 9. CHECK ECM POWER SUPPLY CIRCUIT-VI

1. Disconnect ECM harness connector.
2. Disconnect IPDM E/R harness connector E8.
3. Check harness continuity between ECM terminals 119, 120 and IPDM E/R terminal 33. Refer to Wiring Diagram.

**Continuity should exist.**

4. Also check harness for short to ground and short to power.

OK or NG

- OK >> GO TO 14.  
NG >> GO TO 10.

## 10. DETECT MALFUNCTIONING PART

Check the following.

- Joint connector-4
- Harness or connectors E12, F3
- Harness for open or short between ECM and IPDM E/R

>> Repair open circuit or short to ground or short to power in harness or connectors.

## 11. CHECK ECM POWER SUPPLY CIRCUIT-VII

1. Disconnect ECM harness connector.
2. Disconnect IPDM E/R harness connector.
3. Check harness continuity between ECM terminal 111 and IPDM E/R terminal 44. Refer to Wiring Diagram.

**Continuity should exist.**

4. Also check harness for short to ground and short to power.

OK or NG

- OK >> GO TO 13.  
NG >> GO TO 12.

# POWER SUPPLY CIRCUIT FOR ECM

---

## 12. DETECT MALFUNCTIONING PART

---

Check the following.

- Harness or connectors E108, M15
- Harness or connectors M72, F102
- Harness for open or short between ECM and IPDM E/R

>> Repair open circuit or short to ground or short to power in harness or connectors.

---

## 13. CHECK 15A FUSE

---

1. Disconnect 15A fuse from IPDM E/R.
2. Check 15A fuse.

OK or NG

OK >> GO TO 16.

NG >> Replace 15A fuse.

---

## 14. CHECK ECM GROUND CIRCUIT FOR OPEN AND SHORT-II

---

1. Turn ignition switch "OFF".
2. Disconnect ECM harness connector.
3. Check harness continuity between ECM terminals 1, 115, 116 and engine ground.  
Refer to Wiring Diagram.

**Continuity should exist.**

4. Also check harness for short to power.

OK or NG

OK >> GO TO 16.

NG >> GO TO 15.

---

## 15. DETECT MALFUNCTIONING PART

---

Check the following.

- Joint connector-1
- Joint connector-4
- Harness or connectors F103, F151
- Harness or connectors F3, E12
- Harness for open or short between ECM and engine ground.

>> Repair open circuit or short to ground or short to power in harness or connectors.

---

## 16. CHECK INTERMITTENT INCIDENT

---

Refer to [EC-137, "TROUBLE DIAGNOSIS FOR INTERMITTENT INCIDENT"](#) .

OK or NG

OK >> Replace IPDM E/R. Refer to [PG-17, "IPDM E/R \(INTELLIGENT POWER DISTRIBUTION MODULE ENGINE ROOM\)"](#) .

NG >> Repair open circuit or short to ground or short to power in harness or connectors.



# DTC U1000, U1001 CAN COMMUNICATION LINE

## DTC U1000, U1001 CAN COMMUNICATION LINE

PFP:23710

### Description

ABS000SG

CAN (Controller Area Network) is a serial communication line for real time application. It is an on-vehicle multiplex communication line with high data communication speed and excellent error detection ability. Many electronic control units are equipped onto a vehicle, and each control unit shares information and links with other control units during operation (not independent). In CAN communication, control units are connected with 2 communication lines (CAN H line, CAN L line) allowing a high rate of information transmission with less wiring. Each control unit transmits/receives data but selectively reads required data only.

### On Board Diagnosis Logic

ABS000SH

DTC No.	Trouble diagnosis name	DTC detecting condition	Possible cause
U1000*1 1000*1	CAN communication line	<ul style="list-style-type: none"><li>● ECM cannot communicate to other control units.</li><li>● ECM cannot communicate for more than the specified time.</li></ul>	<ul style="list-style-type: none"><li>● Harness or connectors (CAN communication line is open or shorted)</li></ul>
U1001*2 1001*2			

\*1: This self-diagnosis has the one trip detection logic.

\*2: The MIL will not light up for this diagnosis.

### DTC Confirmation Procedure

ABS000SI




1. Turn ignition switch "ON" and wait at least 3 seconds.
2. Select "DATA MONITOR" mode with CONSULT-II.
3. If 1st trip DTC is detected, go to [EC-147, "Diagnostic Procedure"](#) .

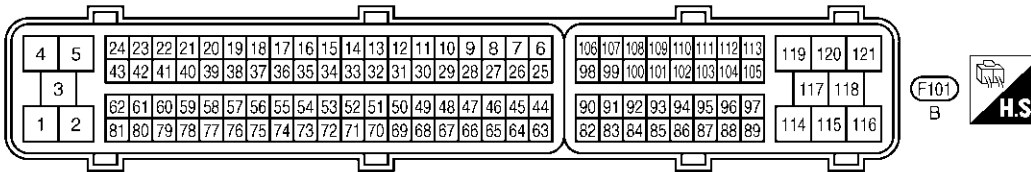
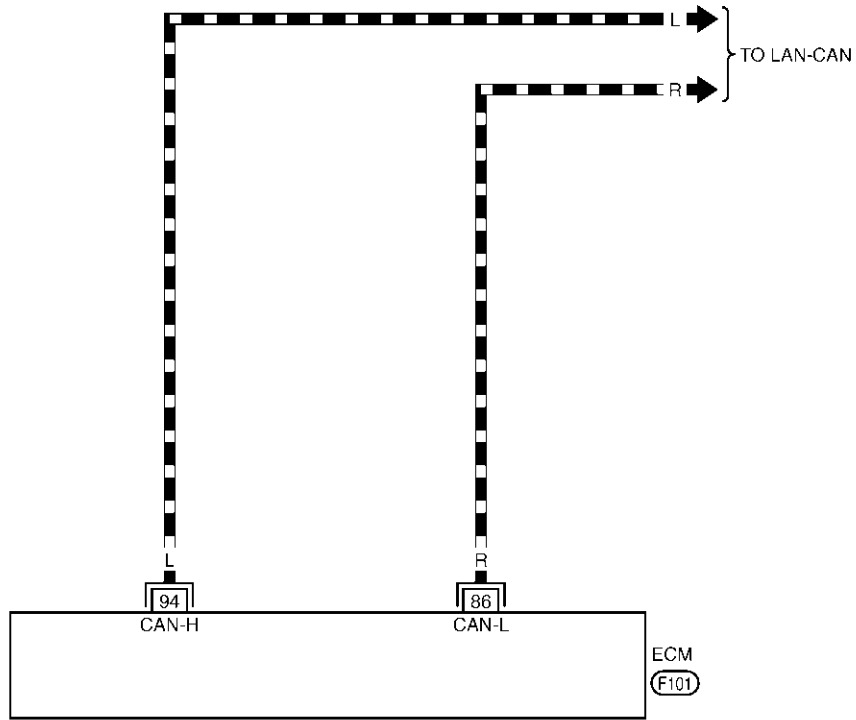
# DTC U1000, U1001 CAN COMMUNICATION LINE

ABS000SJ

## Wiring Diagram

### EC-CAN-01

-  : DETECTABLE LINE FOR DTC
-  : NON-DETECTABLE LINE FOR DTC
-  : DATA LINE



TBWT0193E

# DTC U1000, U1001 CAN COMMUNICATION LINE

## Diagnostic Procedure

ABS000SK

Go to [LAN-6, "CAN Communication Unit"](#) .

A

EC

C

D

E

F

G

H

I

J

K

L

M

# DTC P0011, P0021 IVT CONTROL

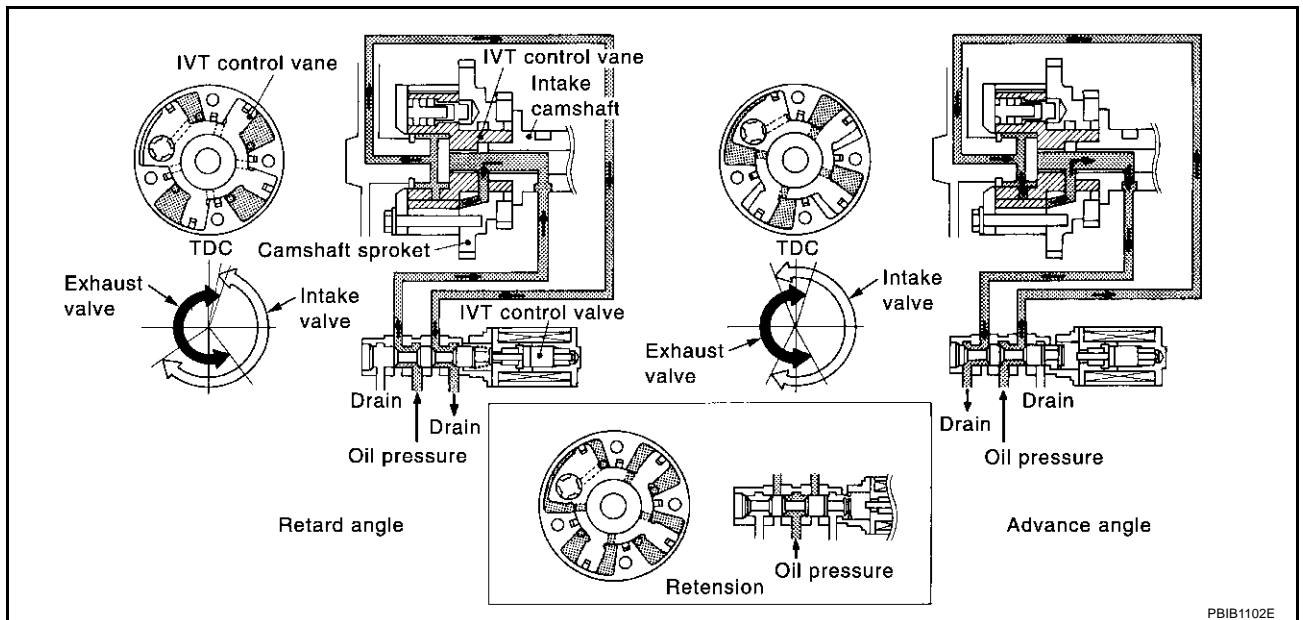
## DTC P0011, P0021 IVT CONTROL

PFP:23796

### Description SYSTEM DESCRIPTION

ABS0031G

Sensor	Input signal to ECM	ECM function	Actuator
Crankshaft position sensor (POS)	Engine speed	Intake valve timing control	Intake valve timing control solenoid valve
Camshaft position sensor (PHASE)			
Engine coolant temperature sensor	Engine coolant temperature		
Wheel sensor	Vehicle speed		



PBIB1102E

This mechanism hydraulically controls cam phases continuously with the fixed operating angle of the intake valve.

The ECM receives signals such as crankshaft position, camshaft position, engine speed, and engine coolant temperature. Then, the ECM sends ON/OFF pulse duty signals to the intake valve timing control solenoid valve depending on driving status. This makes it possible to control the shut/open timing of the intake valve to increase engine torque in low/mid speed range and output in high-speed range.

### CONSULT-II Reference Value in Data Monitor Mode

ABS0031H

Specification data are reference values.

MONITOR ITEM	CONDITION	SPECIFICATION
INT/V TIM (B1) INT/V TIM (B2)	● Engine: After warming up ● Shift lever: N (A/T), Neutral (M/T) ● Air conditioner switch: OFF ● No-load	Idle -5° - 5°CA
	When revving engine up to 2,000 rpm quickly	Approx. 0° - 30°CA
INT/V SOL (B1) INT/V SOL (B2)	● Engine: After warming up ● Shift lever: N (A/T), Neutral (M/T) ● Air conditioner switch: OFF ● No-load	Idle 0% - 2%
	When revving engine up to 2,000 rpm quickly	Approx. 0% - 50%

# DTC P0011, P0021 IVT CONTROL

## On Board Diagnosis Logic

ABS0031I

DTC No.	Trouble diagnosis name	Detecting condition	Possible cause
P0011 0011 (Bank 1)	Intake valve timing control performance	There is a gap between angle of target and phase-control angle degree.	<ul style="list-style-type: none"> <li>● Crankshaft position sensor (POS)</li> <li>● Camshaft position sensor (PHASE)</li> <li>● Accumulation of debris to the signal pick-up portion of the camshaft</li> </ul>
P0021 0021 (Bank 2)			

### FAIL-SAFE MODE

When the malfunction is detected, the ECM enters fail-safe mode.

Detected items	Engine operating condition in fail-safe mode
Intake valve timing control	The signal is not energized to the solenoid valve and the valve control does not function.

### DTC Confirmation Procedure

ABS0031J

#### CAUTION:

Always drive at a safe speed.

#### NOTE:

- If DTC P0011 or P0021 is displayed with DTC P1111 or P1136, first perform trouble diagnosis for "DTC P1111 or P1136". Refer to [EC-411](#).
- If "DTC Confirmation Procedure" has been previously conducted, always turn ignition switch "OFF" and wait at least 10 seconds before conducting the next test.

#### TESTING CONDITION:

Before performing the following procedure, confirm that battery voltage is between 10V and 16V at idle.

#### Ⓟ WITH CONSULT-II

1. Turn ignition switch "ON" and select "DATA MONITOR" mode with CONSULT-II.
2. Start engine and warm it up to the normal operating temperature.
3. Maintain the following conditions for at least 6 consecutive seconds.  
Hold the accelerator pedal as steady as possible.

VHCL SPEED SE	100 - 120 km/h (63 - 75 MPH)
ENG SPEED	2,000 - 4,000 rpm
COOLAN TEMP/S	60 - 120°C (140 - 248°F)
B/FUEL SCHDL	More than 7.26 msec
Selector lever	A/T models: D position M/T models: 5th position

DATA MONITOR	
MONITOR	NO DTC
ENG SPEED	XXX rpm
B/FUEL SCHDL	XXX msec
COOLAN TEMP/S	XXX °C
VHCL SPEED SE	XXX km/h
INT/V TIM (B1)	XXX °CA
INT/V TIM (B2)	XXX °CA
INT/V SOL (B1)	XXX %
INT/V SOL (B2)	XXX %

SEF353Z

4. Stop vehicle with engine running and let engine idle for 10 seconds.
5. If 1st trip DTC is detected, go to [EC-150, "Diagnostic Procedure"](#).  
If 1st trip DTC is not detected, go to next step.
6. Maintain the following conditions for at least 20 consecutive seconds.

ENG SPEED	1,700 - 3,175 rpm (A constant rotation is maintained.)
COOLANT TEMPS	70 - 105°C (158 - 221°F)
Selector lever	1st or 2nd position
Driving location uphill	Driving vehicle uphill (Increased engine load will help maintain the driving conditions required for this test.)

7. If the 1st trip DTC is detected, go to [EC-150, "Diagnostic Procedure"](#).

# DTC P0011, P0021 IVT CONTROL

## WITH GST

Follow the procedure "WITH CONSULT-II" above.

### Diagnostic Procedure

ABS0031K

#### 1. CHECK CRANKSHAFT POSITION SENSOR (POS)

Refer to [EC-309, "Component Inspection"](#).

OK or NG

- OK >> GO TO 2.
- NG >> Replace crankshaft position sensor (POS).

#### 2. CHECK CAMSHAFT POSITION SENSOR (PHASE)

Refer to [EC-317, "Component Inspection"](#).

OK or NG

- OK >> GO TO 3.
- NG >> Replace camshaft position sensor (PHASE).

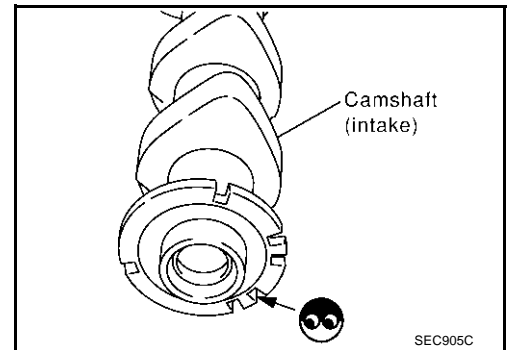
#### 3. CHECK CAMSHAFT (INTAKE)

Check the following.

- Accumulation of debris to the signal plate of camshaft rear end
- Chipping signal plate of camshaft rear end

OK or NG

- OK >> GO TO 4.
- NG >> Remove debris and clean the signal plate of camshaft rear end or replace camshaft.



#### 4. CHECK INTERMITTENT INCIDENT

Refer to [EC-137, "TROUBLE DIAGNOSIS FOR INTERMITTENT INCIDENT"](#).

For wiring diagram, refer to [EC-305](#) for CKP sensor (POS), [EC-311](#) and [EC-313](#) for CMP sensor (PHASE).

>> INSPECTION END

# DTC P0031, P0032, P0051, P0052 HO2S1 HEATER

## DTC P0031, P0032, P0051, P0052 HO2S1 HEATER

PFP:22690

### Description SYSTEM DESCRIPTION

ABS000ST

Sensor	Input signal to ECM	ECM function	Actuator
Camshaft position sensor (PHASE) Crankshaft position sensor (POS)	Engine speed	Heated oxygen sensor 1 heater control	Heated oxygen sensor 1 heater
Engine coolant temperature sensor	Engine coolant temperature		

The ECM performs ON/OFF control of the heated oxygen sensor 1 heater corresponding to the engine speed and engine coolant temperature. The duty percent varies with engine coolant temperature when engine is started.

### OPERATION

Engine speed rpm	Heated oxygen sensor 1 heater
Above 3,600	OFF
Below 3,600 after warming up	ON

### CONSULT-II Reference Value in Data Monitor Mode

ABS000SU

Specification data are reference values.

MONITOR ITEM	CONDITION	SPECIFICATION
HO2S1 HTR (B1) HO2S1 HTR (B2)	<ul style="list-style-type: none"> <li>● Engine: After warming up</li> <li>● Engine speed: Below 3,600 rpm</li> </ul>	ON
	<ul style="list-style-type: none"> <li>● Engine speed: Above 3,600 rpm</li> </ul>	OFF

### On Board Diagnosis Logic

ABS000SV

DTC No.	Trouble diagnosis name	DTC detecting condition	Possible cause
P0031 0031 (Bank 1)	Heated oxygen sensor 1 heater control circuit low	The current amperage in the heated oxygen sensor 1 heater circuit is out of the normal range. (An excessively low voltage signal is sent to ECM through the heated oxygen sensor 1 heater.)	<ul style="list-style-type: none"> <li>● Harness or connectors (The heated oxygen sensor 1 heater circuit is open or shorted.)</li> <li>● Heater oxygen sensor 1 heater</li> </ul>
P0051 0051 (Bank 2)			
P0032 0032 (Bank 1)	Heated oxygen sensor 1 heater control circuit high	The current amperage in the heated oxygen sensor 1 heater circuit is out of the normal range. (An excessively high voltage signal is sent to ECM through the heated oxygen sensor 1 heater.)	<ul style="list-style-type: none"> <li>● Harness or connectors (The heated oxygen sensor 1 heater circuit is shorted.)</li> <li>● Heater oxygen sensor 1 heater</li> </ul>
P0052 0052 (Bank 2)			

# DTC P0031, P0032, P0051, P0052 HO2S1 HEATER

ABS000SW

## DTC Confirmation Procedure

### NOTE:

If "DTC Confirmation Procedure" has been previously conducted, always turn ignition switch "OFF" and wait at least 10 seconds before conducting the next test.

### TESTING CONDITION:

Before performing the following procedure, confirm that battery voltage is between 10.5V and 16V at idle.

### WITH CONSULT-II

1. Start engine and warm it up to normal operating temperature.
2. Turn ignition switch "OFF" and wait at least 10 seconds.
3. Turn ignition switch "ON" and select "DATA MONITOR" mode with CONSULT-II.
4. Start engine and run it for at least 6 seconds at idle speed.
5. If 1st trip DTC is detected, go to [EC-156, "Diagnostic Procedure"](#)

DATA MONITOR	
MONITOR	NO DTC
ENG SPEED	XXX rpm

SEF058Y

### WITH GST

1. Start engine and warm it up to normal operating temperature.
  2. Turn ignition switch "OFF" and wait at least 10 seconds.
  3. Start engine and run it for at least 6 seconds at idle speed.
  4. Turn ignition switch "OFF" and wait at least 10 seconds.
  5. Start engine and run it for at least 6 seconds at idle speed.
  6. Select "MODE 3" with GST.
  7. If DTC is detected, go to [EC-156, "Diagnostic Procedure"](#).
- When using GST, "DTC Confirmation Procedure" should be performed twice as much as when using CONSULT-II because GST cannot display MODE 7 (1st trip DTC) concerning this diagnosis. Therefore, using CONSULT-II is recommended.

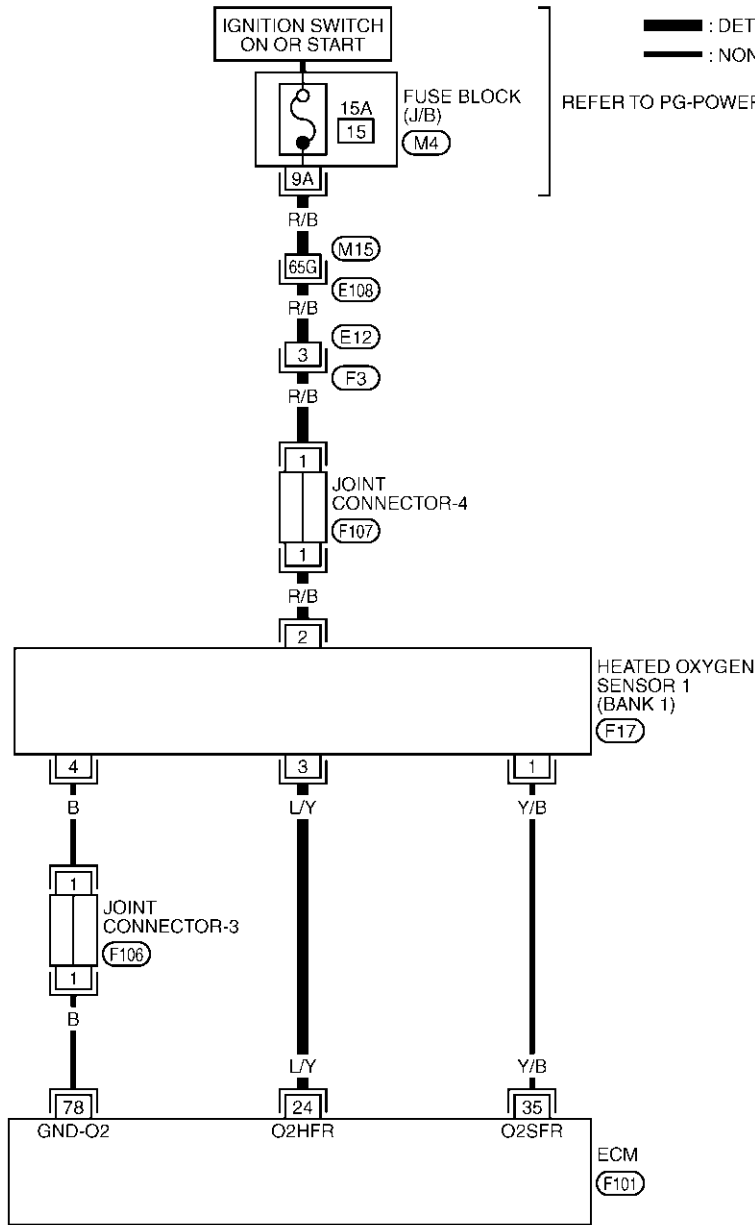


# DTC P0031, P0032, P0051, P0052 HO2S1 HEATER

ABS000SX

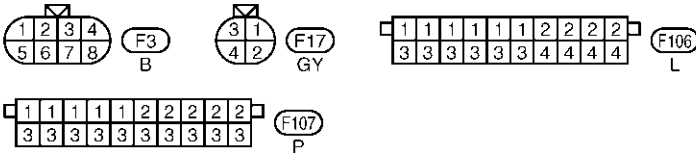
## Wiring Diagram BANK 1

EC-O2H1B1-01



— : DETECTABLE LINE FOR DTC  
— : NON-DETECTABLE LINE FOR DTC

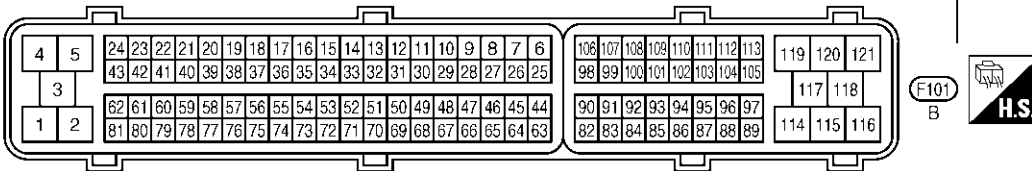
REFER TO PG-POWER.



REFER TO THE FOLLOWING.

(E108) -SUPER MULTIPLE JUNCTION (SMJ)

(M4) -FUSE BLOCK-JUNCTION BOX (J/B)



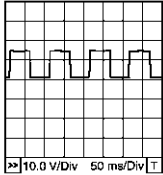
TBWT0196E

## DTC P0031, P0032, P0051, P0052 HO2S1 HEATER

Specification data are reference values and are measured between each terminal and ground.

**CAUTION:**

**Do not use ECM ground terminals when measuring input/output voltage. Doing so may result in damage to the ECM's transistor. Use a ground other than ECM terminals, such as the ground.**

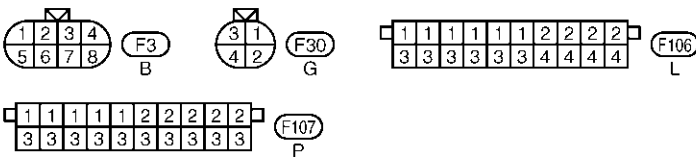
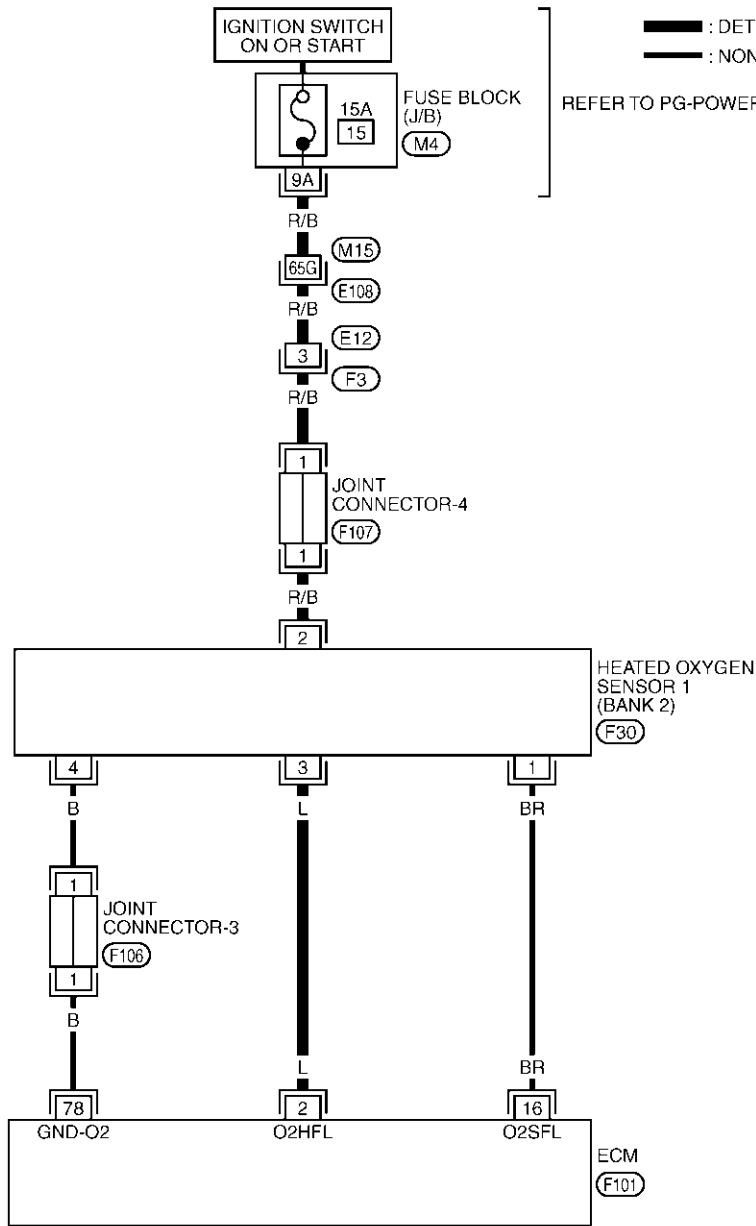
TER-MINAL NO.	WIRE COLOR	ITEM	CONDITION	DATA (DC Voltage)
24	L/Y	Heated oxygen sensor 1 heater (bank 1)	<p><b>[Engine is running]</b></p> <ul style="list-style-type: none"> <li>● <b>Warm-up condition</b></li> <li>● Engine speed is below 3,600 rpm.</li> </ul>	<p>Approximately 8V★</p>  <p style="text-align: right; font-size: small;">PBIB0519E</p>
			<p><b>[Engine is running]</b></p> <ul style="list-style-type: none"> <li>● Engine speed is above 3,600 rpm.</li> </ul>	<p>BATTERY VOLTAGE (11 - 14V)</p>

★: Average voltage for pulse signal (Actual pulse signal can be confirmed by oscilloscope.)

# DTC P0031, P0032, P0051, P0052 HO2S1 HEATER

**BANK 2**

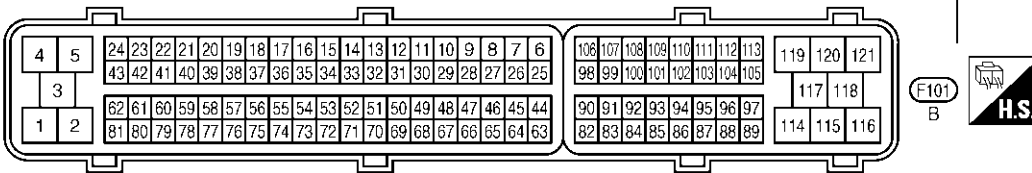
**EC-O2H1B2-01**



REFER TO THE FOLLOWING.

(E108) -SUPER MULTIPLE JUNCTION (SMJ)

(M4) -FUSE BLOCK-JUNCTION BOX (J/B)



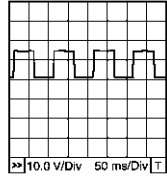
TBWT0197E

# DTC P0031, P0032, P0051, P0052 HO2S1 HEATER

Specification data are reference values and are measured between each terminal and ground.

**CAUTION:**

Do not use ECM ground terminals when measuring input/output voltage. Doing so may result in damage to the ECM's transistor. Use a ground other than ECM terminals, such as the ground.

TER-MINAL NO.	WIRE COLOR	ITEM	CONDITION	DATA (DC Voltage)
2	L	Heated oxygen sensor 1 heater (bank 2)	<p>[Engine is running]</p> <ul style="list-style-type: none"> <li>● Warm-up condition</li> <li>● Engine speed is below 3,600 rpm.</li> </ul>	<p>Approximately 8V★</p>  <p>PBIB0519E</p>
			<p>[Engine is running]</p> <ul style="list-style-type: none"> <li>● Engine speed is above 3,600 rpm.</li> </ul>	<p>BATTERY VOLTAGE (11 - 14V)</p>

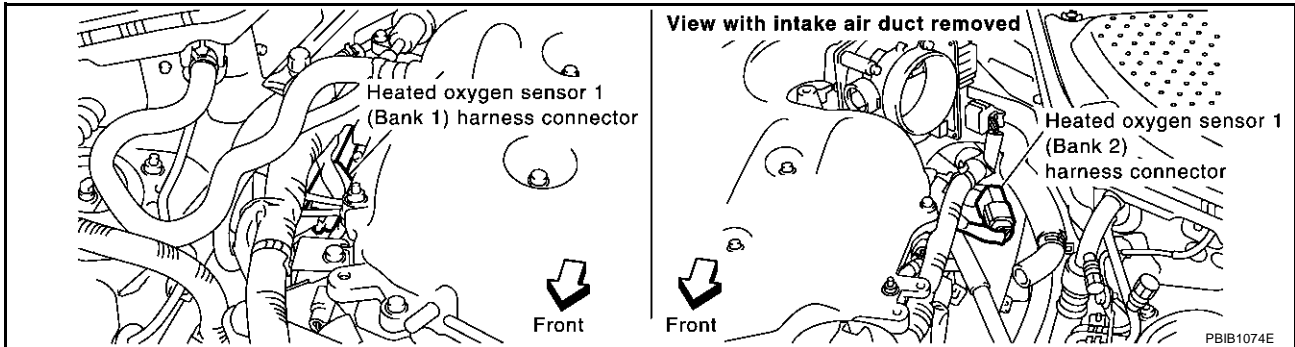
★: Average voltage for pulse signal (Actual pulse signal can be confirmed by oscilloscope.)

## Diagnostic Procedure

ABS000SY

### 1. CHECK HO2S1 POWER SUPPLY CIRCUIT

1. Turn ignition switch "OFF".
2. Disconnect heated oxygen sensor 1 harness connector.

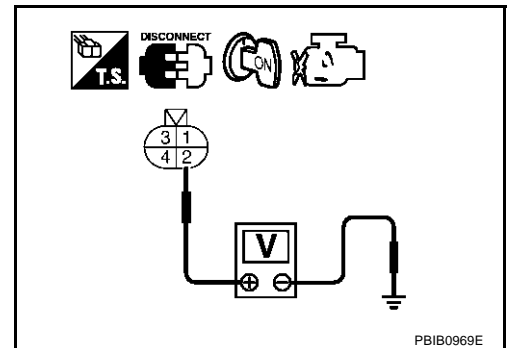


3. Turn ignition switch "ON".
4. Check voltage between HO2S1 terminal 2 and ground with CONSULT-II or tester.

**Voltage: Battery voltage**

OK or NG

- OK >> GO TO 3.
- NG >> GO TO 2.



# DTC P0031, P0032, P0051, P0052 HO2S1 HEATER

## 2. DETECT MALFUNCTIONING PART

Check the following.

- Harness connectors M15, E108
- Harness connectors E12, F3
- Fuse block (J/B) connector M4
- 15A fuse
- Joint connector-4
- Harness for open or short between heated oxygen sensor 1 and fuse

>> Repair harness or connectors.

## 3. CHECK HO2S1 OUTPUT SIGNAL CIRCUIT FOR OPEN AND SHORT

1. Turn ignition switch "OFF".
2. Disconnect ECM harness connector.
3. Check harness continuity between ECM terminal and HO2S1 terminal as follows. Refer to Wiring Diagram.

DTC	Terminals		Bank
	ECM	Sensor	
P0031, P0032	24	3	1
P0051, P0052	2	3	2

**Continuity should exist.**

4. Also check harness for short to ground and short to power.

OK or NG

OK >> GO TO 4.

NG >> Repair open circuit or short to ground or short to power in harness or connectors.

## 4. CHECK HEATED OXYGEN SENSOR 1 HEATER

Refer to [EC-158, "Component Inspection"](#) .

OK or NG

OK >> GO TO 5.

NG >> Replace malfunctioning heated oxygen sensor 1.

## 5. CHECK INTERMITTENT INCIDENT

Refer to [EC-137, "TROUBLE DIAGNOSIS FOR INTERMITTENT INCIDENT"](#) .

>> **INSPECTION END**

# DTC P0031, P0032, P0051, P0052 HO2S1 HEATER

ABS000SZ

## Component Inspection HEATED OXYGEN SENSOR 1 HEATER

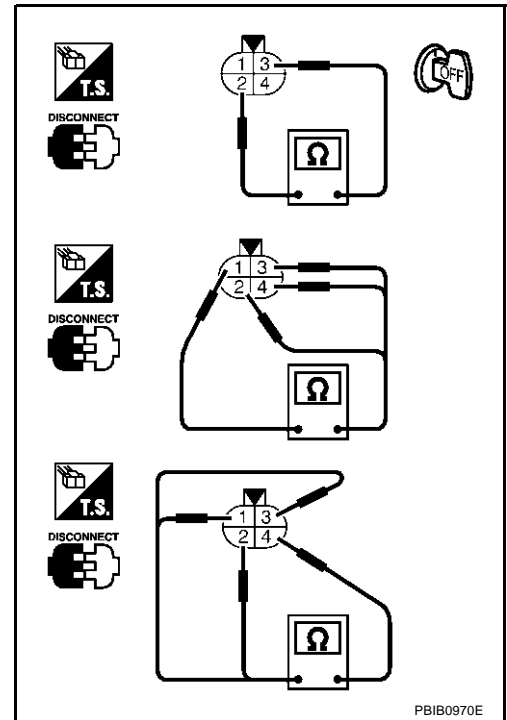
1. Check resistance between HO2S1 terminals as follows.

Terminal No.	Resistance
2 and 3	3.3 - 4.0 $\Omega$ at 25°C (77°F)
1 and 2, 3, 4	$\infty \Omega$ (Continuity should not exist)
4 and 1, 2, 3	

2. If NG, replace heated oxygen sensor 1.

### CAUTION:

- Discard any heated oxygen sensor which has been dropped from a height of more than 0.5 m (19.7 in) onto a hard surface such as a concrete floor; use a new one.
- Before installing new oxygen sensor, clean exhaust system threads using Oxygen Sensor Thread Cleaner tool J-43897-18 or J-43897-12 and approved anti-seize lubricant.



PBIB0970E

## Removal and Installation HEATED OXYGEN SENSOR 1

ABS000T0

Refer to [EM-23. "EXHAUST MANIFOLD AND THREE WAY CATALYST"](#) .

# DTC P0037, P0038, P0057, P0058 HO2S2 HEATER

## DTC P0037, P0038, P0057, P0058 HO2S2 HEATER

PFP:226A0

### Description SYSTEM DESCRIPTION

ABS000T1

Sensor	Input signal to ECM	ECM function	Actuator
Camshaft position sensor (PHASE)	Engine speed	Heated oxygen sensor 2 heater control	Heated oxygen sensor 2 heater
Crankshaft position sensor (POS)			
Engine coolant temperature sensor	Engine coolant temperature		
Mass air flow sensor	Amount of intake air		

The ECM performs ON/OFF control of the heated oxygen sensor 2 heater corresponding to the engine speed, amount of intake air and engine coolant temperature.

### OPERATION

Engine speed rpm	Heated oxygen sensor 2 heater
Above 3,600	OFF
Below 3,600 rpm after the following conditions are met.	ON
<ul style="list-style-type: none"> <li>● Engine: After warming up</li> <li>● Keeping the engine speed between 3,500 and 4,000 rpm for one minute and at idle for one minute under no load</li> </ul>	

### CONSULT-II Reference Value in Data Monitor Mode

ABS002VS

Specification data are reference values.

MONITOR ITEM	CONDITION	SPECIFICATION
HO2S2 HTR (B1) HO2S2 HTR (B2)	<ul style="list-style-type: none"> <li>● Engine speed is below 3,600 rpm after the following conditions are met.                             <ul style="list-style-type: none"> <li>- Engine: After warming up</li> <li>- Keeping the engine speed between 3,500 and 4,000 rpm for one minute and at idle for one minute under no load</li> </ul> </li> </ul>	ON
	<ul style="list-style-type: none"> <li>● Engine speed: Above 3,600 rpm</li> </ul>	OFF

### On Board Diagnosis Logic

ABS000T3

DTC No.	Trouble diagnosis name	DTC detecting condition	Possible cause
P0037 0037 (Bank 1)	Heated oxygen sensor 2 heater control circuit low	The current amperage in the heated oxygen sensor 2 heater circuit is out of the normal range. (An excessively low voltage signal is sent to ECM through the heated oxygen sensor 2 heater.)	<ul style="list-style-type: none"> <li>● Harness or connectors (The heated oxygen sensor 2 heater circuit is open or shorted.)</li> <li>● Heater oxygen sensor 2 heater</li> </ul>
P0057 0057 (Bank 2)			
P0038 0038 (Bank 1)	Heated oxygen sensor 2 heater control circuit high	The current amperage in the heated oxygen sensor 2 heater circuit is out of the normal range. (An excessively high voltage signal is sent to ECM through the heated oxygen sensor 2 heater.)	<ul style="list-style-type: none"> <li>● Harness or connectors (The heated oxygen sensor 2 heater circuit is shorted.)</li> <li>● Heater oxygen sensor 2 heater</li> </ul>
P0058 0058 (Bank 2)			

# DTC P0037, P0038, P0057, P0058 HO2S2 HEATER

ABS00074

## DTC Confirmation Procedure

### NOTE:

If "DTC Confirmation Procedure" has been previously conducted, always turn ignition switch "OFF" and wait at least 10 seconds before conducting the next test.

### TESTING CONDITION:

Before performing the following procedure, confirm that battery voltage is between 10.5V and 16V at idle.

#### WITH CONSULT-II

1. Turn ignition switch "ON" and select "DATA MONITOR" mode with CONSULT-II.
2. Start engine and warm it up to the normal operating temperature.
3. Turn ignition switch "OFF" and wait at least 10 seconds.
4. Start the engine and keep the engine speed between 3,500 rpm and 4,000 rpm for at least one minute under no load.
5. Let engine idle for one minute.
6. If 1st trip DTC is detected, go to [EC-164, "Diagnostic Procedure"](#).

DATA MONITOR	
MONITOR	NO DTC
COOLAN TEMP/S	XXX °C
VHCL SPEED SE	XXX km/h

SEF176Y

#### WITH GST

1. Start engine and warm it up to the normal operating temperature.
  2. Turn ignition switch "OFF" and wait at least 10 seconds.
  3. Start the engine and keep the engine speed between 3,500 rpm and 4,000 rpm for at least one minute under no load.
  4. Let engine idle for one minute.
  5. Turn ignition switch "OFF" and wait at least 10 seconds.
  6. Start the engine and keep the engine speed between 3,500 rpm and 4,000 rpm for at least one minute under no load.
  7. Let engine idle for one minute.
  8. Select "MODE 3" with GST.
  9. If DTC is detected, go to [EC-164, "Diagnostic Procedure"](#).
- When using GST, "DTC Confirmation Procedure" should be performed twice as much as when using CONSULT-II because GST cannot display MODE 7 (1st trip DTC) concerning this diagnosis. Therefore, using CONSULT-II is recommended.

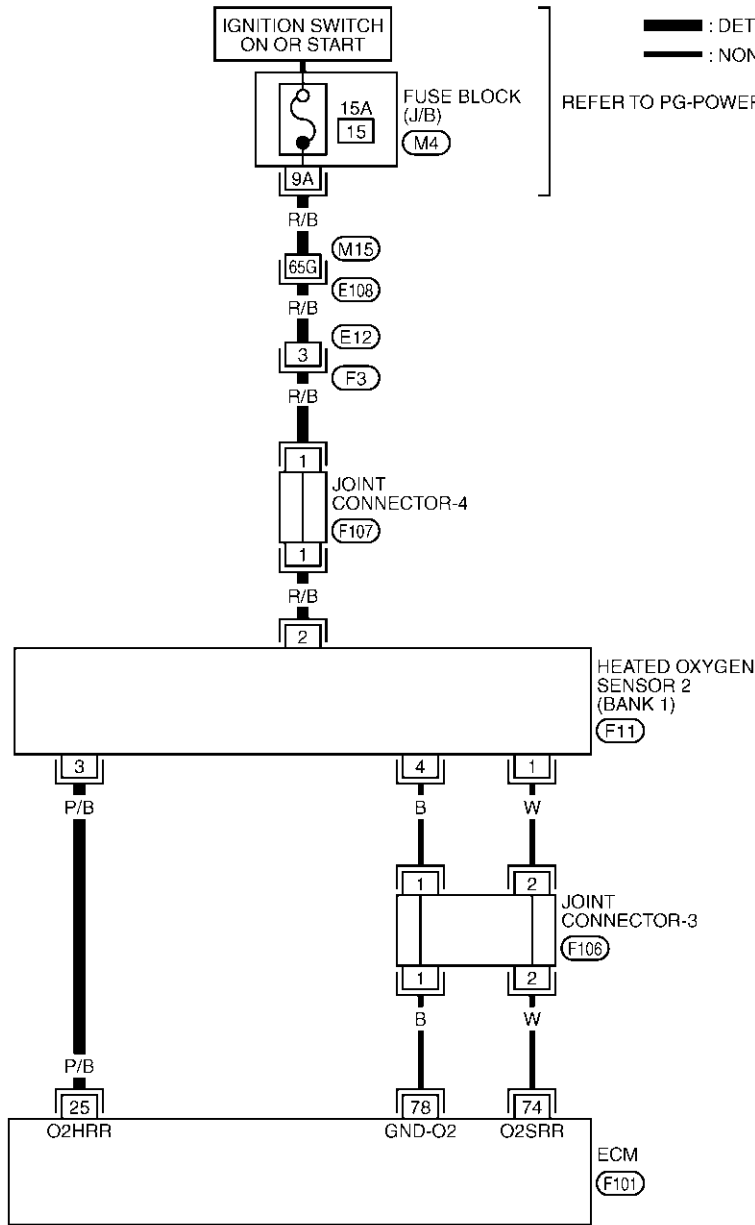


# DTC P0037, P0038, P0057, P0058 HO2S2 HEATER

ABS00075

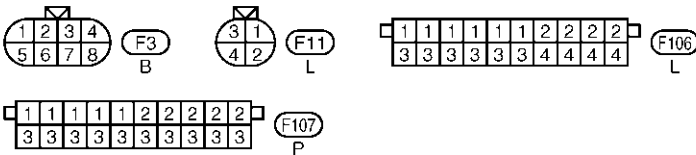
## Wiring Diagram BANK 1

EC-O2H2B1-01



— : DETECTABLE LINE FOR DTC  
 - - - : NON-DETECTABLE LINE FOR DTC

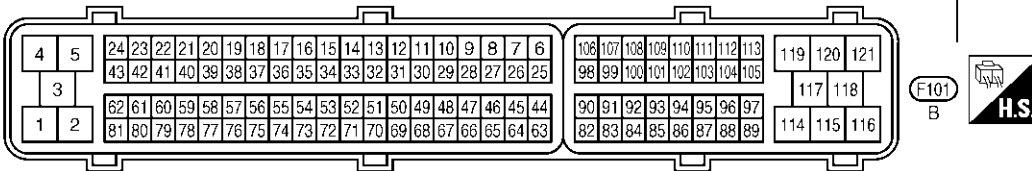
REFER TO PG-POWER.



REFER TO THE FOLLOWING.

(E108) -SUPER MULTIPLE JUNCTION (SMJ)

(M4) -FUSE BLOCK-JUNCTION BOX (J/B)



## DTC P0037, P0038, P0057, P0058 HO2S2 HEATER

Specification data are reference values and are measured between each terminal and ground.

**CAUTION:**

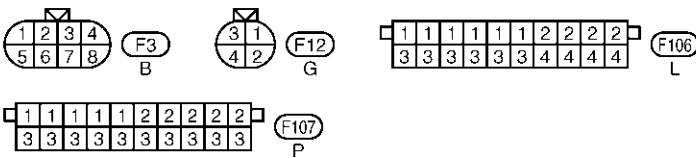
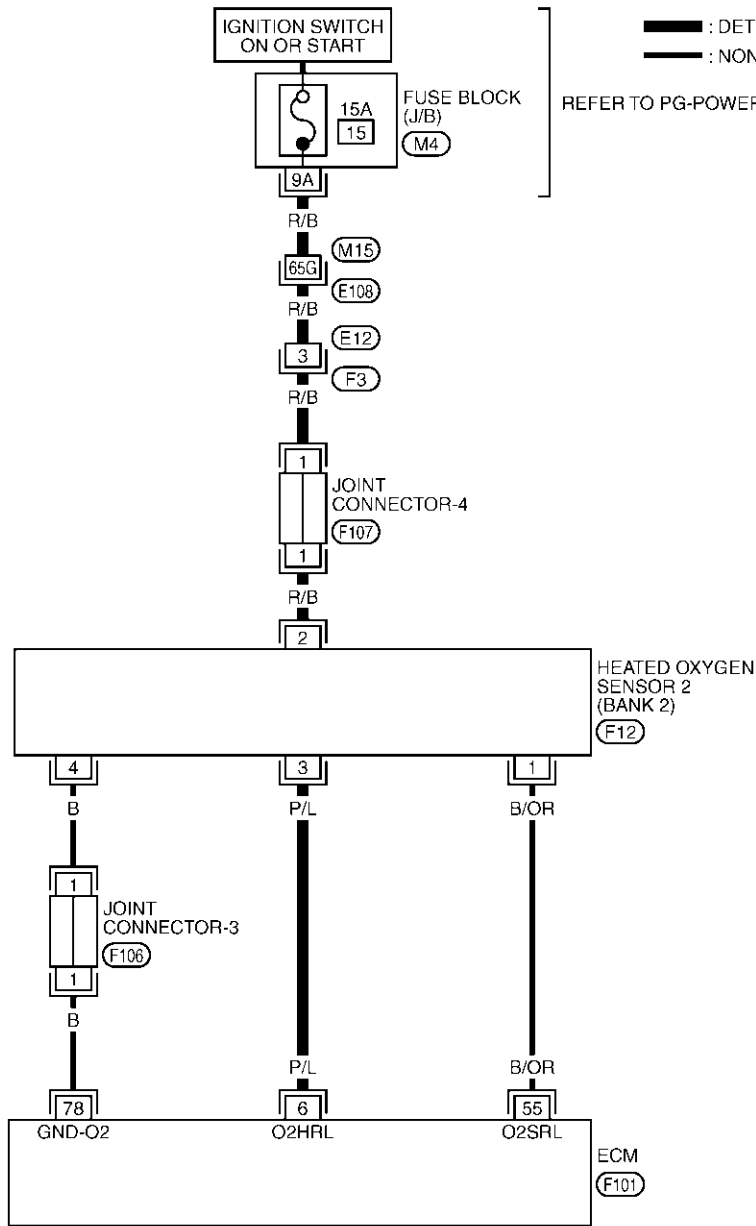
**Do not use ECM ground terminals when measuring input/output voltage. Doing so may result in damage to the ECM's transistor. Use a ground other than ECM terminals, such as the ground.**

TER-MINAL NO.	WIRE COLOR	ITEM	CONDITION	DATA (DC Voltage)
25	P/B	Heated oxygen sensor 2 heater (bank 1)	<b>[Engine is running]</b> <ul style="list-style-type: none"> <li>● Engine speed is below 3,600 rpm after the following conditions are met.                             <ul style="list-style-type: none"> <li>- Engine: after warming up</li> <li>- Keeping the engine speed between 3,500 and 4,000 rpm for one minute and at idle for one minute under no load.</li> </ul> </li> </ul>	0 - 1.0V
			<b>[Ignition switch "ON"]</b> <ul style="list-style-type: none"> <li>● Engine stopped</li> </ul> <b>[Engine is running]</b> <ul style="list-style-type: none"> <li>● Engine speed is above 3,600 rpm.</li> </ul>	BATTERY VOLTAGE (11 - 14V)

# DTC P0037, P0038, P0057, P0058 HO2S2 HEATER

**BANK 2**

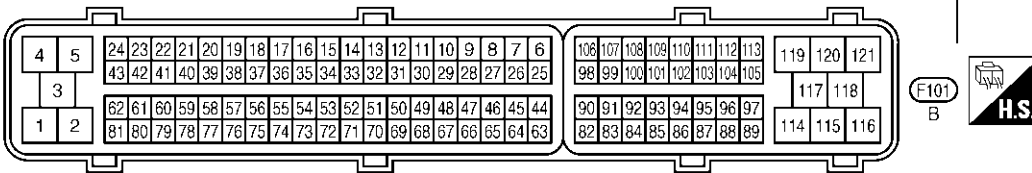
**EC-O2H2B2-01**



REFER TO THE FOLLOWING.

(E108) -SUPER MULTIPLE JUNCTION (SMJ)

(M4) -FUSE BLOCK-JUNCTION BOX (J/B)



TBWT0199E

# DTC P0037, P0038, P0057, P0058 HO2S2 HEATER

Specification data are reference values and are measured between each terminal and ground.

**CAUTION:**

**Do not use ECM ground terminals when measuring input/output voltage. Doing so may result in damage to the ECM's transistor. Use a ground other than ECM terminals, such as the ground.**

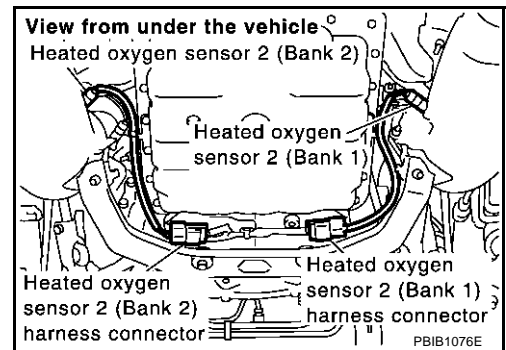
TER-MINAL NO.	WIRE COLOR	ITEM	CONDITION	DATA (DC Voltage)
6	P/L	Heated oxygen sensor 2 heater (bank 2)	<b>[Engine is running]</b> <ul style="list-style-type: none"> <li>● Engine speed is below 3,600 rpm after the following conditions are met.                             <ul style="list-style-type: none"> <li>- Engine: after warming up</li> <li>- Keeping the engine speed between 3,500 and 4,000 rpm for one minute and at idle for one minute under no load.</li> </ul> </li> </ul>	0 - 1.0V
			<b>[Ignition switch "ON"]</b> <ul style="list-style-type: none"> <li>● Engine stopped</li> </ul> <b>[Engine is running]</b> <ul style="list-style-type: none"> <li>● Engine speed is above 3,600 rpm.</li> </ul>	BATTERY VOLTAGE (11 - 14V)

## Diagnostic Procedure

ABS00076

### 1. CHECK HO2S2 POWER SUPPLY CIRCUIT

1. Turn ignition switch "OFF".
2. Disconnect heated oxygen sensor 2 harness connector.

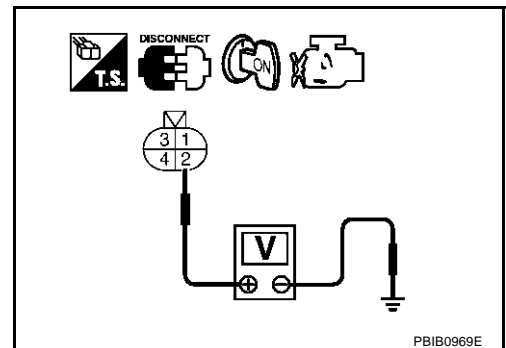


3. Turn ignition switch "ON".
4. Check voltage between HO2S2 terminal 2 and ground with CONSULT-II or tester.

Voltage: Battery voltage

OK or NG

- OK >> GO TO 3.  
 NG >> GO TO 2.



# DTC P0037, P0038, P0057, P0058 HO2S2 HEATER

## 2. DETECT MALFUNCTIONING PART

Check the following.

- Harness connectors M15, E108
- Harness connectors E12, F3
- Fuse block (J/B) connector M4
- 15A fuse
- Joint connector-4
- Harness for open or short between heated oxygen sensor 2 and fuse

>> Repair harness or connectors.

## 3. CHECK HO2S2 OUTPUT SIGNAL CIRCUIT FOR OPEN AND SHORT

1. Turn ignition switch "OFF".
2. Disconnect ECM harness connector.
3. Check harness continuity between ECM terminal and HO2S2 terminal as follows. Refer to Wiring Diagram.

DTC	Terminals		Bank
	ECM	Sensor	
P0037, P0038	25	3	1
P0057, P0058	6	3	2

**Continuity should exist.**

4. Also check harness for short to ground and short to power.

OK or NG

OK >> GO TO 4.

NG >> Repair open circuit or short to ground or short to power in harness or connectors.

## 4. CHECK HEATED OXYGEN SENSOR 2 HEATER

Refer to [EC-166, "Component Inspection"](#) .

OK or NG

OK >> GO TO 5.

NG >> Replace malfunctioning heated oxygen sensor 2.

## 5. CHECK INTERMITTENT INCIDENT

Refer to [EC-137, "TROUBLE DIAGNOSIS FOR INTERMITTENT INCIDENT"](#) .

>> **INSPECTION END**

# DTC P0037, P0038, P0057, P0058 HO2S2 HEATER

ABS00077

## Component Inspection HEATED OXYGEN SENSOR 2 HEATER

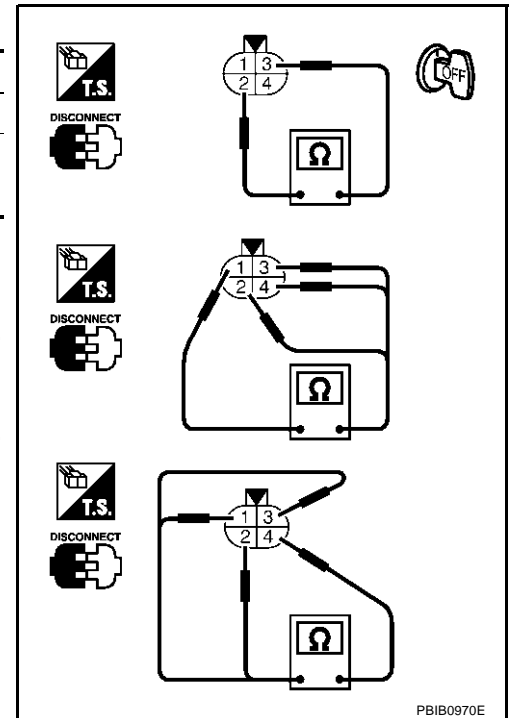
1. Check resistance between HO2S2 terminals as follows.

Terminal No.	Resistance
2 and 3	5.0 - 7.0 $\Omega$ at 25°C (77°F)
1 and 2, 3, 4	$\infty \Omega$ (Continuity should not exist)
4 and 1, 2, 3	

2. If NG, replace heated oxygen sensor 2.

### CAUTION:

- Discard any heated oxygen sensor which has been dropped from a height of more than 0.5 m (19.7 in) onto a hard surface such as a concrete floor; use a new one.
- Before installing new oxygen sensor, clean exhaust system threads using Oxygen Sensor Thread Cleaner tool J-43897-18 or J-43897-12 and approved anti-seize lubricant.



PBIB0970E

## Removal and Installation HEATED OXYGEN SENSOR 2

ABS00078

Refer to [EM-23, "EXHAUST MANIFOLD AND THREE WAY CATALYST"](#) .

# DTC P0101 MAF SENSOR

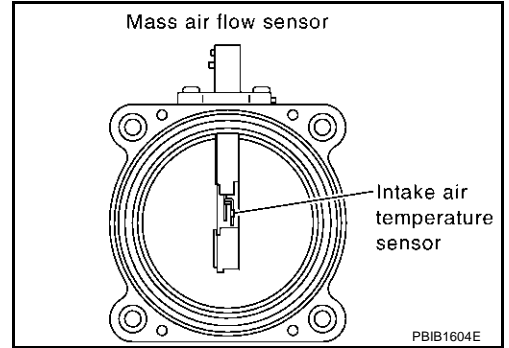
## DTC P0101 MAF SENSOR

PFP:22680

### Component Description

ABS00079

The mass air flow sensor is placed in the stream of intake air. It measures the intake flow rate by measuring a part of the entire intake flow. It consists of a hot film that is supplied with electric current from the ECM. The temperature of the hot film is controlled by the ECM a certain amount. The heat generated by the hot film is reduced as the intake air flows around it. The more air, the greater the heat loss. Therefore, the ECM must supply more electric current to maintain the temperature of the hot film as air flow increases. The ECM detects the air flow by means of this current change.



### CONSULT-II Reference Value in Data Monitor Mode

ABS0007A

Specification data are reference values.

MONITOR ITEM	CONDITION		SPECIFICATION
MAS A/F SE-B1	<ul style="list-style-type: none"> <li>● Engine: After warming up</li> <li>● Air conditioner switch: OFF</li> <li>● Shift lever: N (A/T), Neutral (M/T)</li> <li>● No-load</li> </ul>	Idle	Approx. 1.1 - 1.5V
		2,500 rpm	Approx. 1.6 - 2.4V
CAL/LD VALUE	<ul style="list-style-type: none"> <li>● Engine: After warming up</li> <li>● Shift lever: N (A/T), Neutral (M/T)</li> <li>● Air conditioner switch: OFF</li> <li>● No-load</li> </ul>	Idle	5% - 35%
		2,500 rpm	5% - 35%
MASS AIRFLOW	<ul style="list-style-type: none"> <li>● Engine: After warming up</li> <li>● Shift lever: N (A/T), Neutral (M/T)</li> <li>● Air conditioner switch: OFF</li> <li>● No-load</li> </ul>	Idle	2.0 - 6.0 g-m/s
		2,500 rpm	7.0 - 20.0 g-m/s

### On Board Diagnosis Logic

ABS0007B

This self-diagnosis has the one trip detection logic.

DTC No.	Trouble diagnosis name	DTC detecting condition		Possible cause
P0101 0101	Mass air flow sensor circuit range/performance problem	A)	A high voltage from the sensor is sent to ECM under light load driving condition.	<ul style="list-style-type: none"> <li>● Harness or connectors (The sensor circuit is open or shorted.)</li> <li>● Mass air flow sensor</li> </ul>
		B)	A low voltage from the sensor is sent to ECM under heavy load driving condition.	<ul style="list-style-type: none"> <li>● Harness or connectors (The sensor circuit is open or shorted.)</li> <li>● Intake air leaks</li> <li>● Mass air flow sensor</li> </ul>

# DTC P0101 MAF SENSOR

ABS0007C

## DTC Confirmation Procedure

Perform "PROCEDURE FOR MALFUNCTION A" first.

If the DTC cannot be confirmed, perform "PROCEDURE FOR MALFUNCTION B".

### NOTE:

If "DTC Confirmation Procedure" has been previously conducted, always turn ignition switch "OFF" and wait at least 10 seconds before conducting the next test.

### PROCEDURE FOR MALFUNCTION A

#### NOTE:

If engine will not start or stops soon, wait at least 10 seconds with engine stopped (Ignition switch "ON") instead of running engine at idle speed.

#### ④ With CONSULT-II

1. Turn ignition switch "ON".
2. Select "DATA MONITOR" mode with CONSULT-II.
3. Start engine and warm it up to normal operating temperature.
4. Run engine for at least 10 seconds at idle speed.
5. If DTC is detected, go to [EC-171, "Diagnostic Procedure"](#).

DATA MONITOR	
MONITOR	NO DTC
ENG SPEED	XXX rpm
COOLAN TEMP/S	XXX °C

SEF174Y

#### ④ With GST

Follow the procedure "With CONSULT-II" above.

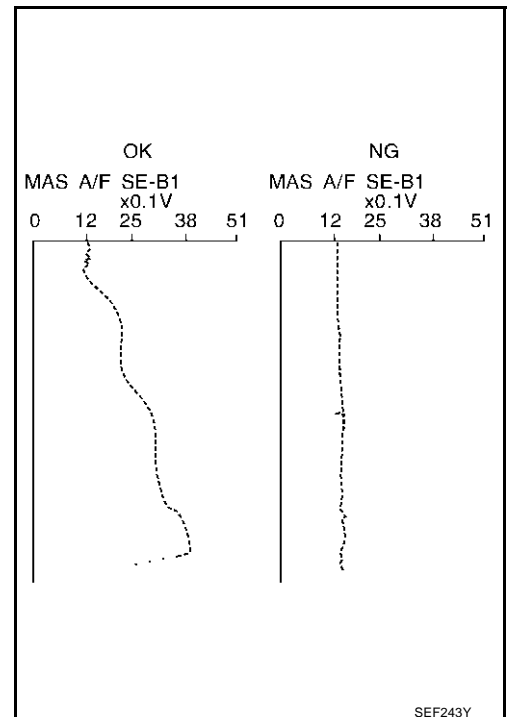
### PROCEDURE FOR MALFUNCTION B

#### CAUTION:

Always drive vehicle at a safe speed.

#### ④ With CONSULT-II

1. Turn ignition switch "ON".
2. Start engine and warm it up to normal operating temperature.  
If engine cannot be started, go to [EC-171, "Diagnostic Procedure"](#).
3. Select "DATA MONITOR" mode with CONSULT-II.
4. Check the voltage of "MAS A/F SE-B1" with "DATA MONITOR".
5. Increases engine speed to about 4,000 rpm.
6. Monitor the linear voltage rise in response to engine speed increases.  
If NG, go to [EC-171, "Diagnostic Procedure"](#).  
If OK, go to following step.





# DTC P0101 MAF SENSOR

7. Maintain the following conditions for at least 10 consecutive seconds.

ENG SPEED	More than 2,000 rpm
THRTL SEN 1	More than 3V
THRTL SEN 2	More than 3V
Selector lever	Suitable position
Driving location	Driving vehicle uphill (Increased engine load) will help maintain the driving conditions required for this test.

DATA MONITOR	
MONITOR	NO DTC
ENG SPEED	XXX rpm
VHCL SPEED SE	XXX km/h
THRTL SEN 1	XXX V
THRTL SEN 2	XXX V

PBIB0199E

8. If DTC is detected, go to [EC-171, "Diagnostic Procedure"](#).

## Overall Function Check PROCEDURE FOR MALFUNCTION B

ABS0007D

Use this procedure to check the overall function of the mass air flow sensor circuit. During this check, a 1st trip DTC might not be confirmed.

### With GST

1. Start engine and warm it up to normal operating temperature.
2. Select "MODE 1" with GST.
3. Check the mass air flow sensor signal with "MODE 1".
4. Check for linear mass air flow sensor signal value rise in response to increases to about 4,000 rpm in engine speed.
5. If NG, go to [EC-171, "Diagnostic Procedure"](#).

CALC LOAD	20%
COOLANT TEMP	95°C
SHORT FT #1	2%
LONG FT #1	0%
SHORT FT #2	4%
LONG FT #2	0%
ENGINE SPD	2637RPM
VEHICLE SPD	0MPH
IGN ADVANCE	41.0°
INTAKE AIR	41°C
<b>MAF</b>	<b>14.1gm/sec</b>
THROTTLE POS	3%

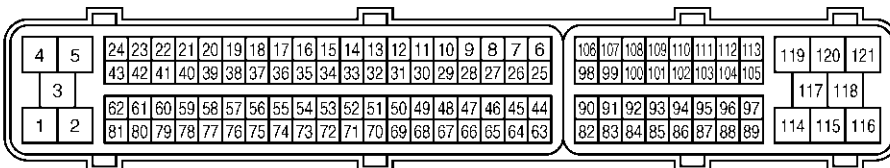
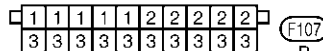
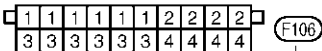
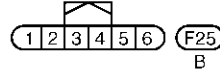
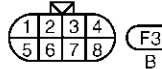
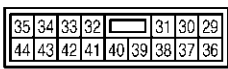
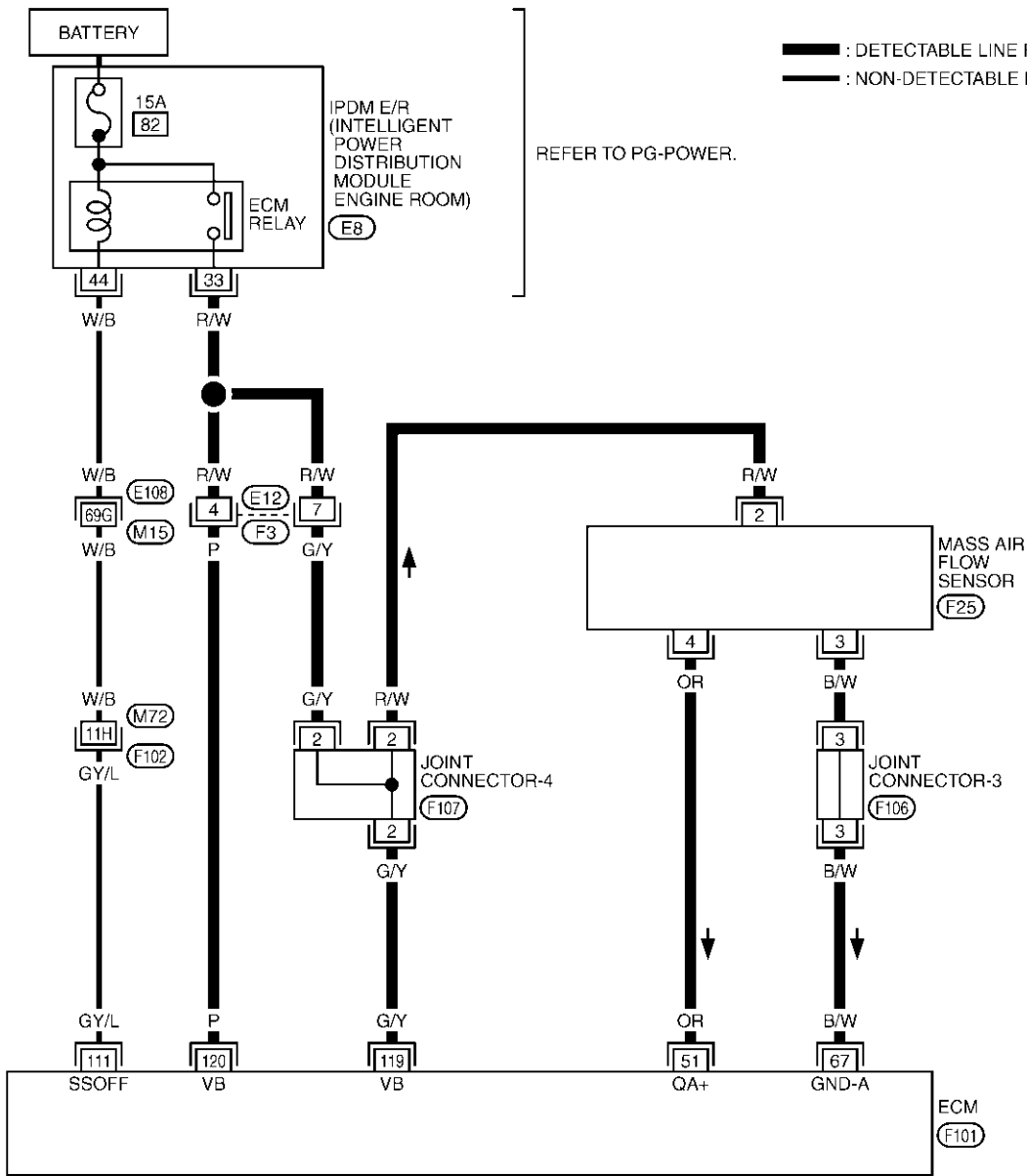
SEF534P

# DTC P0101 MAF SENSOR

ABS0007E

## Wiring Diagram

### EC-MAFS-01



REFER TO THE FOLLOWING.

(E108), (F102) -SUPER MULTIPLE JUNCTION (SMJ)



TBWT0200E

# DTC P0101 MAF SENSOR

Specification data are reference values and are measured between each terminal and ground.

**CAUTION:**

**Do not use ECM ground terminals when measuring input/output voltage. Doing so may result in damage to the ECM's transistor. Use a ground other than ECM terminals, such as the ground.**

TER-MINAL NO.	WIRE COLOR	ITEM	CONDITION	DATA (DC Voltage)
51	OR	Mass air flow sensor	<b>[Engine is running]</b> ● Warm-up condition ● Idle speed	1.1 - 1.5V
			<b>[Engine is running]</b> ● Warm-up condition ● Engine speed is 2,500 rpm.	1.7 - 2.4V
67	B/W	Sensors' ground (Mass air flow sensor / IAT sensor / Power steering pressure sensor / EVAP control system pressure sensor)	<b>[Engine is running]</b> ● Warm-up condition ● Idle speed	Approximately 0V
111	GY/L	ECM relay (Self shut-off)	<b>[Engine is running]</b> <b>[Ignition switch "OFF"]</b> ● For a few seconds after turning ignition switch "OFF"	0 - 1.5V
			<b>[Ignition switch "OFF"]</b> ● A few seconds passed after turning ignition switch "OFF"	BATTERY VOLTAGE (11 - 14V)
119 120	G/Y P	Power supply for ECM	<b>[Ignition switch "ON"]</b>	BATTERY VOLTAGE (11 - 14V)

## Diagnostic Procedure

ABS000TF

### 1. INSPECTION START

Which malfunction (A or B) is duplicated?

A or B

- A >> GO TO 3.
- B >> GO TO 2.

### 2. CHECK INTAKE SYSTEM

Check the following for connection.

- Air duct
- Vacuum hoses
- Intake air passage between air duct to intake manifold

OK or NG

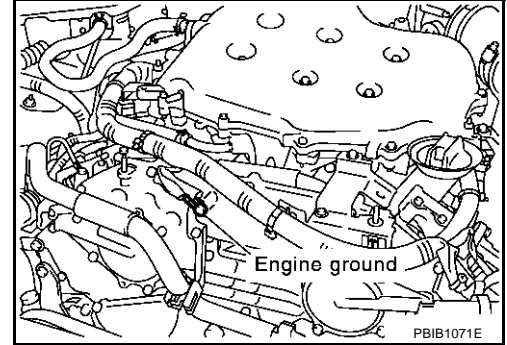
- OK >> GO TO 3.
- NG >> Reconnect the parts.

# DTC P0101 MAF SENSOR

## 3. RETIGHTEN GROUND SCREWS

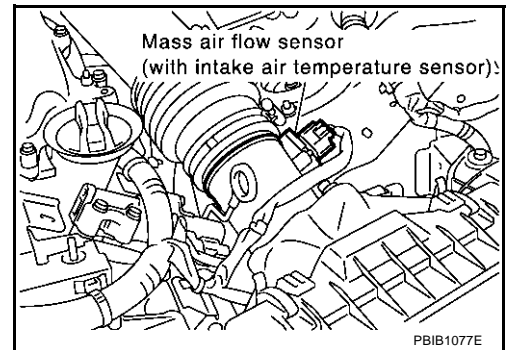
1. Turn ignition switch "OFF".
2. Loosen and retighten engine ground screws.

>> GO TO 4.



## 4. CHECK MAF SENSOR POWER SUPPLY CIRCUIT

1. Disconnect mass air flow (MAF) sensor harness connector.
2. Turn ignition switch "ON".

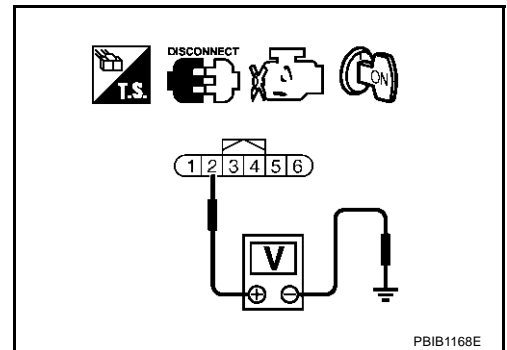


3. Check voltage between MAF sensor terminal 2 and ground with CONSULT-II or tester.

**Voltage: Battery voltage**

OK or NG

- OK >> GO TO 6.
- NG >> GO TO 5.



## 5. DETECT MALFUNCTIONING PART

Check the following.

- Harness connectors E12, F3
- Joint connector-4
- Harness for open or short between IPDM E/R and mass air flow sensor
- Harness for open or short between mass air flow sensor and ECM

>> Repair harness or connectors.

# DTC P0101 MAF SENSOR

---

## 6. CHECK MAF SENSOR GROUND CIRCUIT FOR OPEN AND SHORT

---

1. Turn ignition switch "OFF".
2. Disconnect ECM harness connector.
3. Check harness continuity between MAF sensor terminal 3 and ECM terminal 67.  
Refer to Wiring Diagram.

**Continuity should exist.**

4. Also check harness for short to ground and short to power.

OK or NG

- OK >> GO TO 8.
- NG >> GO TO 7.

---

## 7. DETECT MALFUNCTIONING PART

---

Check the following.

- Joint connector-3
- Harness for open or short between mass air flow sensor and ECM

>> Repair open circuit or short to ground or short to power in harness or connectors.

---

## 8. CHECK MAF SENSOR INPUT SIGNAL CIRCUIT FOR OPEN AND SHORT

---

1. Check harness continuity between MAF sensor terminal 4 and ECM terminal 51.  
Refer to Wiring Diagram.

**Continuity should exist.**

2. Also check harness for short to ground and short to power.

OK or NG

- OK >> GO TO 9.
- NG >> Repair open circuit or short to ground or short to power in harness or connectors.

---

## 9. CHECK MASS AIR FLOW SENSOR

---

Refer to [EC-174, "Component Inspection"](#) .

OK or NG

- OK >> GO TO 10.
- NG >> Replace mass air flow sensor.

---

## 10. CHECK INTERMITTENT INCIDENT

---

Refer to [EC-137, "TROUBLE DIAGNOSIS FOR INTERMITTENT INCIDENT"](#) .

>> **INSPECTION END**

A

EC

C

D

E

F

G

H

I

J

K

L

M

# DTC P0101 MAF SENSOR

ABS000TG

## Component Inspection MASS AIR FLOW SENSOR

1. Reconnect all harness connectors disconnected.
2. Start engine and warm it up to normal operating temperature.
3. Check voltage between ECM terminal 51 (Mass air flow sensor signal) and ground.

Condition	Voltage V
Ignition switch "ON" (Engine stopped.)	Approx. 0.4
Idle (Engine is warmed-up to normal operating temperature.)	1.1 - 1.5
2,500 rpm (Engine is warmed-up to normal operating temperature.)	1.7 - 2.4
Idle to about 4,000 rpm*	1.1 - 1.5 to Approx. 2.4

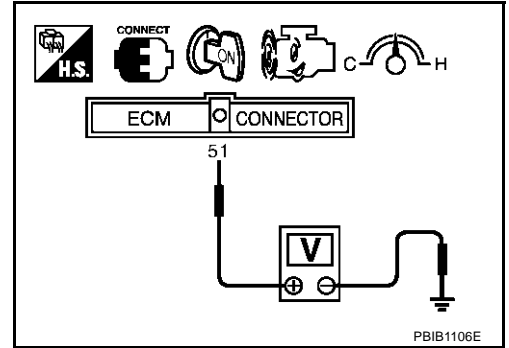
\*: Check for linear voltage rise in response to engine being increased to about 4,000 rpm.

4. If the voltage is out of specification, proceed the following.
  - Turn ignition switch "OFF".
  - Disconnect mass air flow sensor harness connector and reconnect it again.
  - Perform steps 2 and 3 again.
5. If NG, remove mass air flow sensor from air duct. Check hot film for damage or dust.
6. If NG, clean or replace mass air flow sensor.

## Removal and Installation MASS AIR FLOW SENSOR

ABS000TH

Refer to [EM-15. "AIR CLEANER AND AIR DUCT"](#) .



# DTC P0102, P0103 MAF SENSOR

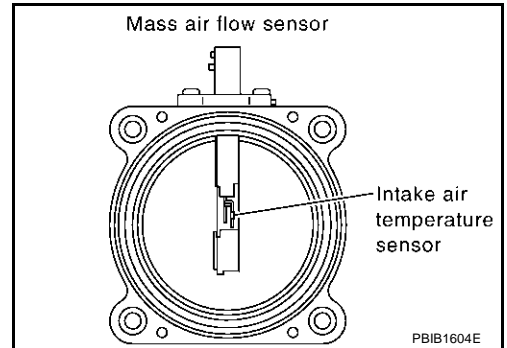
## DTC P0102, P0103 MAF SENSOR

PFP:22680

### Component Description

ABS0007I

The mass air flow sensor is placed in the stream of intake air. It measures the intake flow rate by measuring a part of the entire intake flow. It consists of a hot film that is supplied with electric current from the ECM. The temperature of the hot film is controlled by the ECM a certain amount. The heat generated by the hot film is reduced as the intake air flows around it. The more air, the greater the heat loss. Therefore, the ECM must supply more electric current to maintain the temperature of the hot film as air flow increases. The ECM detects the air flow by means of this current change.



### CONSULT-II Reference Value in Data Monitor Mode

ABS0007J

Specification data are reference values.

MONITOR ITEM	CONDITION		SPECIFICATION
MAS A/F SE-B1	<ul style="list-style-type: none"> <li>● Engine: After warming up</li> <li>● Air conditioner switch: OFF</li> <li>● Shift lever: N (A/T), Neutral (M/T)</li> <li>● No-load</li> </ul>	Idle	Approx. 1.1 - 1.5V
		2,500 rpm	Approx. 1.6 - 2.4V
CAL/LD VALUE	<ul style="list-style-type: none"> <li>● Engine: After warming up</li> <li>● Shift lever: N (A/T), Neutral (M/T)</li> <li>● Air conditioner switch: OFF</li> <li>● No-load</li> </ul>	Idle	5% - 35%
		2,500 rpm	5% - 35%
MASS AIRFLOW	<ul style="list-style-type: none"> <li>● Engine: After warming up</li> <li>● Shift lever: N (A/T), Neutral (M/T)</li> <li>● Air conditioner switch: OFF</li> <li>● No-load</li> </ul>	Idle	2.0 - 6.0 g-m/s
		2,500 rpm	7.0 - 20.0 g-m/s

### On Board Diagnosis Logic

ABS0007K

These self-diagnoses have the one trip detection logic.

DTC No.	Trouble diagnosis name	DTC detecting condition	Possible cause
P0102 0102	Mass air flow sensor circuit low input	An excessively low voltage from the sensor is sent to ECM.	<ul style="list-style-type: none"> <li>● Harness or connectors (The sensor circuit is open or shorted.)</li> <li>● Intake air leaks</li> <li>● Mass air flow sensor</li> </ul>
P0103 0103	Mass air flow sensor circuit high input	An excessively high voltage from the sensor is sent to ECM.	<ul style="list-style-type: none"> <li>● Harness or connectors (The sensor circuit is open or shorted.)</li> <li>● Mass air flow sensor</li> </ul>

### FAIL-SAFE MODE

When the malfunction is detected, the ECM enters fail-safe mode and the MIL lights up.

Detected items	Engine operating condition in fail-safe mode
Mass air flow sensor circuit	Engine speed will not rise more than 2,400 rpm due to the fuel cut.

# DTC P0102, P0103 MAF SENSOR

ABS0007L

## DTC Confirmation Procedure

### NOTE:

If "DTC Confirmation Procedure" has been previously conducted, always turn ignition switch "OFF" and wait at least 10 seconds before conducting the next test.

### PROCEDURE FOR DTC P0102

#### With CONSULT-II

1. Turn ignition switch "ON".
2. Select "DATA MONITOR" mode with CONSULT-II.
3. Start engine and wait at least 5 seconds.
4. If DTC is detected, go to [EC-178, "Diagnostic Procedure"](#) .

DATA MONITOR	
MONITOR	NO DTC
ENG SPEED	XXX rpm

SEF058Y

#### With GST

Follow the procedure "With CONSULT-II" above.

### PROCEDURE FOR DTC P0103

#### With CONSULT-II

1. Turn ignition switch "ON".
2. Select "DATA MONITOR" mode with CONSULT-II.
3. Wait at least 5 seconds.
4. If DTC is detected, go to [EC-178, "Diagnostic Procedure"](#) .  
If DTC is not detected, go to next step.
5. Start engine and wait at least 5 seconds.
6. If DTC is detected, go to [EC-178, "Diagnostic Procedure"](#) .

DATA MONITOR	
MONITOR	NO DTC
ENG SPEED	XXX rpm

SEF058Y

#### With GST

Follow the procedure "With CONSULT-II" above.

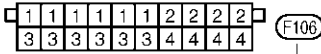
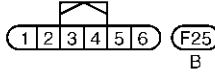
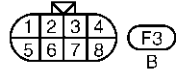
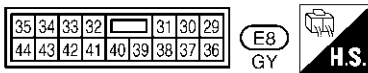
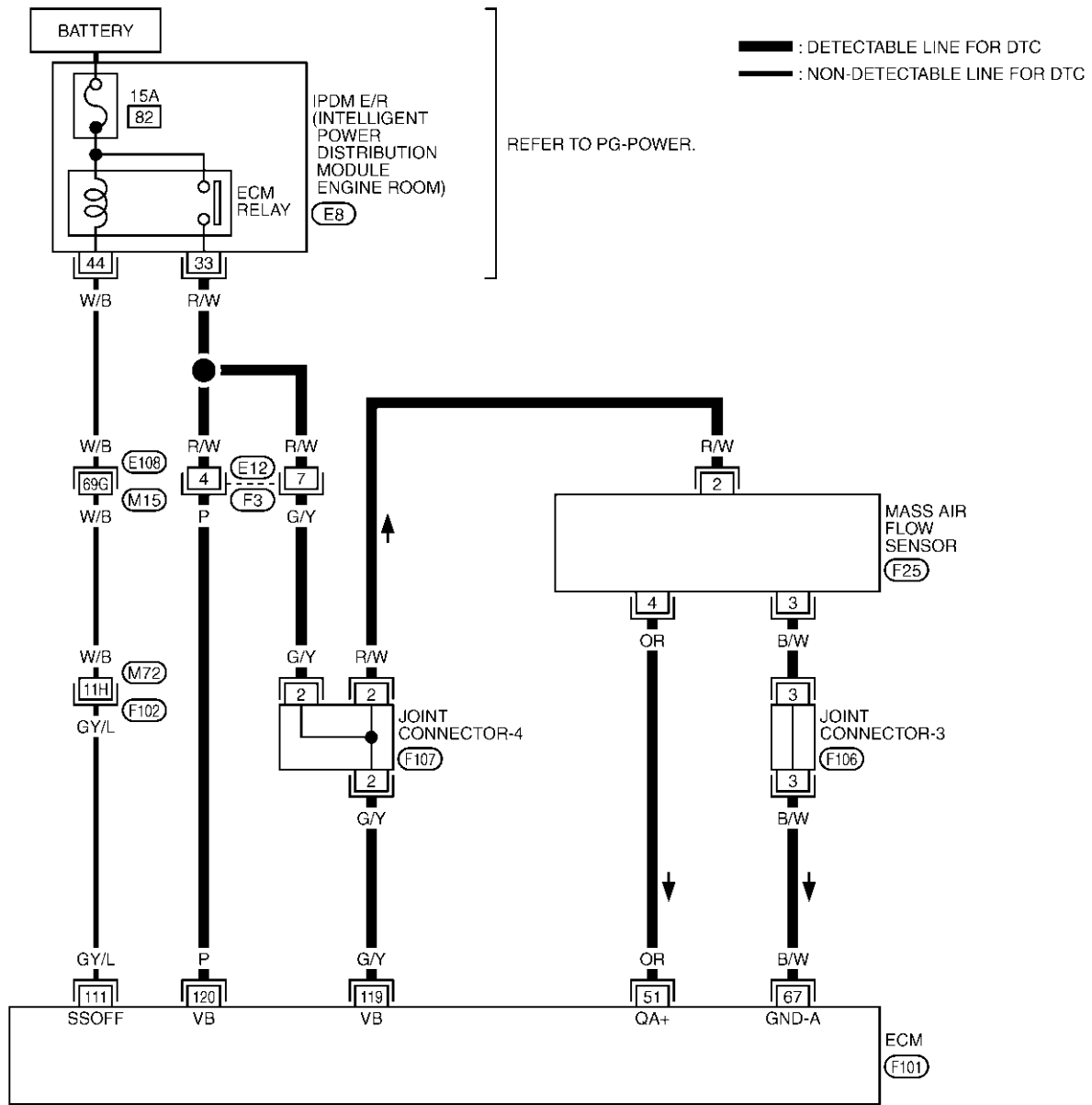


# DTC P0102, P0103 MAF SENSOR

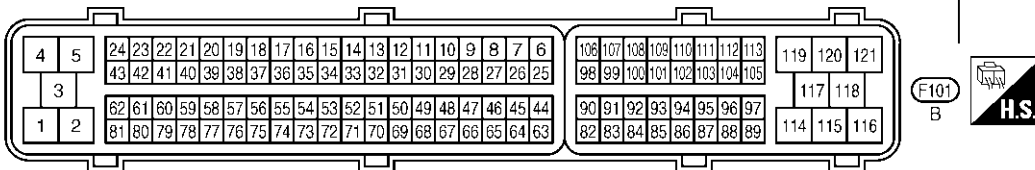
## Wiring Diagram

ABS000TM

### EC-MAFS-01



REFER TO THE FOLLOWING.  
 E108, F102 -SUPER MULTIPLE JUNCTION (SMJ)



## DTC P0102, P0103 MAF SENSOR

Specification data are reference values and are measured between each terminal and ground.

**CAUTION:**

**Do not use ECM ground terminals when measuring input/output voltage. Doing so may result in damage to the ECM's transistor. Use a ground other than ECM terminals, such as the ground.**

TER-MINAL NO.	WIRE COLOR	ITEM	CONDITION	DATA (DC Voltage)
51	OR	Mass air flow sensor	[Engine is running] ● Warm-up condition ● Idle speed	1.1 - 1.5V
			[Engine is running] ● Warm-up condition ● Engine speed is 2,500 rpm.	1.7 - 2.4V
67	B/W	Sensors' ground (Mass air flow sensor / IAT sensor / Power steering pressure sensor / EVAP control system pressure sensor)	[Engine is running] ● Warm-up condition ● Idle speed	Approximately 0V
111	GY/L	ECM relay (Self shut-off)	[Engine is running] [Ignition switch "OFF"] ● For a few seconds after turning ignition switch "OFF"	0 - 1.5V
			[Ignition switch "OFF"] ● A few seconds passed after turning ignition switch "OFF"	BATTERY VOLTAGE (11 - 14V)
119 120	G/Y P	Power supply for ECM	[Ignition switch "ON"]	BATTERY VOLTAGE (11 - 14V)

### Diagnostic Procedure

ABS0007N

#### 1. INSPECTION START

Which malfunction (P0102 or P0103) is duplicated?

P0102 or P0103

P0102 >> GO TO 2.

P0103 >> GO TO 3.

#### 2. CHECK INTAKE SYSTEM

Check the following for connection.

- Air duct
- Vacuum hoses
- Intake air passage between air duct to intake manifold

OK or NG

OK >> GO TO 3.

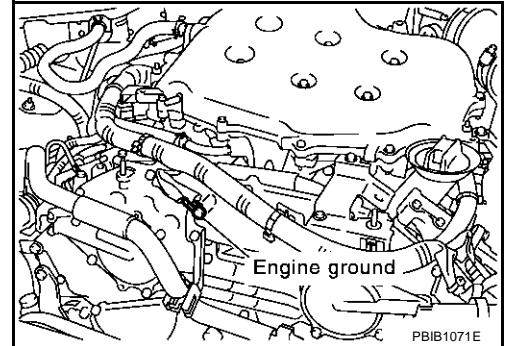
NG >> Reconnect the parts.

# DTC P0102, P0103 MAF SENSOR

## 3. RETIGHTEN GROUND SCREWS

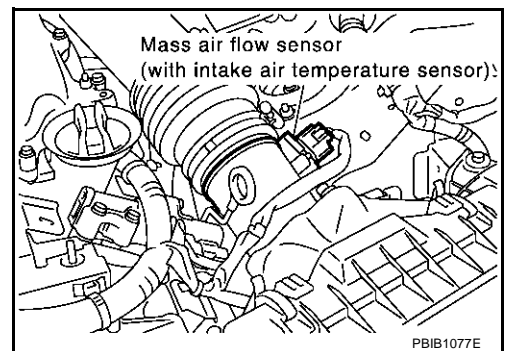
1. Turn ignition switch "OFF".
2. Loosen and retighten engine ground screws.

>> GO TO 4.



## 4. CHECK MAF SENSOR POWER SUPPLY CIRCUIT

1. Disconnect mass air flow (MAF) sensor harness connector.
2. Turn ignition switch "ON".

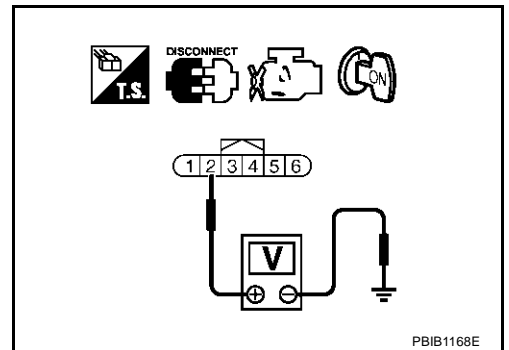


3. Check voltage between MAF sensor terminal 2 and ground with CONSULT-II or tester.

**Voltage: Battery voltage**

OK or NG

- OK >> GO TO 6.
- NG >> GO TO 5.



## 5. DETECT MALFUNCTIONING PART

Check the following.

- Harness connectors E12, F3
- Joint connector-4
- Harness for open or short between IPDM E/R and mass air flow sensor
- Harness for open or short between mass air flow sensor and ECM

>> Repair harness or connectors.

## DTC P0102, P0103 MAF SENSOR

---

### 6. CHECK MAF SENSOR GROUND CIRCUIT FOR OPEN AND SHORT

---

1. Turn ignition switch "OFF".
2. Disconnect ECM harness connector.
3. Check harness continuity between MAF sensor terminal 3 and ECM terminal 67.  
Refer to Wiring Diagram.

**Continuity should exist.**

4. Also check harness for short to ground and short to power.

OK or NG

- OK >> GO TO 8.  
NG >> GO TO 7.

---

### 7. DETECT MALFUNCTIONING PART

---

Check the following.

- Joint connector-3
- Harness for open or short between mass air flow sensor and ECM

>> Repair open circuit or short to ground or short to power in harness or connectors.

---

### 8. CHECK MAF SENSOR INPUT SIGNAL CIRCUIT FOR OPEN AND SHORT

---

1. Check harness continuity between MAF sensor terminal 4 and ECM terminal 51.  
Refer to Wiring Diagram.

**Continuity should exist.**

2. Also check harness for short to ground and short to power.

OK or NG

- OK >> GO TO 9.  
NG >> Repair open circuit or short to ground or short to power in harness or connectors.

---

### 9. CHECK MASS AIR FLOW SENSOR

---

Refer to [EC-174, "Component Inspection"](#) .

OK or NG

- OK >> GO TO 10.  
NG >> Replace mass air flow sensor.

---

### 10. CHECK INTERMITTENT INCIDENT

---

Refer to [EC-137, "TROUBLE DIAGNOSIS FOR INTERMITTENT INCIDENT"](#) .

>> **INSPECTION END**

# DTC P0102, P0103 MAF SENSOR

ABS00070

## Component Inspection MASS AIR FLOW SENSOR

1. Reconnect all harness connectors disconnected.
2. Start engine and warm it up to normal operating temperature.
3. Check voltage between ECM terminal 51 (Mass air flow sensor signal) and ground.

Condition	Voltage V
Ignition switch "ON" (Engine stopped.)	Approx. 0.4
Idle (Engine is warmed-up to normal operating temperature.)	1.1 - 1.5
2,500 rpm (Engine is warmed-up to normal operating temperature.)	1.7 - 2.4
Idle to about 4,000 rpm*	1.1 - 1.5 to Approx. 2.4

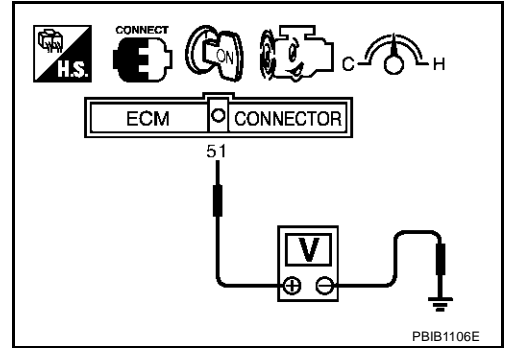
\*: Check for linear voltage rise in response to engine being increased to about 4,000 rpm.

4. If the voltage is out of specification, proceed the following.
  - Turn ignition switch "OFF".
  - Disconnect mass air flow sensor harness connector and reconnect it again.
  - Perform steps 2 and 3 again.
5. If NG, remove mass air flow sensor from air duct. Check hot film for damage or dust.
6. If NG, clean or replace mass air flow sensor.

## Removal and Installation MASS AIR FLOW SENSOR

ABS0007P

Refer to [EM-15, "AIR CLEANER AND AIR DUCT"](#) .



A  
EC  
C  
D  
E  
F  
G  
H  
I  
J  
K  
L  
M

# DTC P0112, P0113 IAT SENSOR

PFP:22630

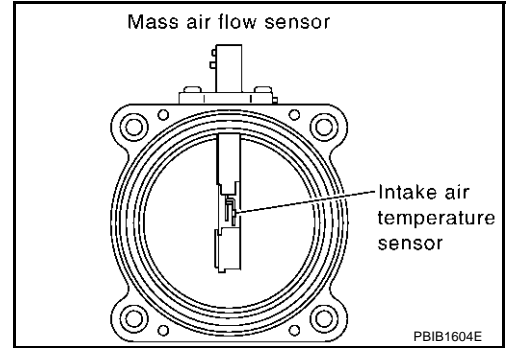
## DTC P0112, P0113 IAT SENSOR

### Component Description

ABS0007Q

The intake air temperature sensor is built-into mass air flow sensor. The sensor detects intake air temperature and transmits a signal to the ECM.

The temperature sensing unit uses a thermistor which is sensitive to the change in temperature. Electrical resistance of the thermistor decreases in response to the temperature rise.



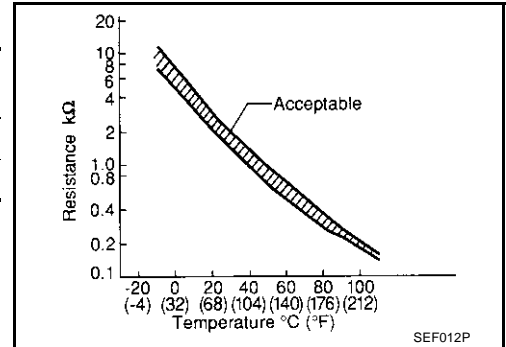
### <Reference data>

Intake air temperature °C (°F)	Voltage* V	Resistance kΩ
25 (77)	3.32	1.94 - 2.06
80 (176)	1.23	0.295 - 0.349

\*: These data are reference values and are measured between ECM terminal 34 (Intake air temperature sensor) and ground.

### CAUTION:

**Do not use ECM ground terminals when measuring input/output voltage. Doing so may result in damage to the ECM's transistor. Use a ground other than ECM terminals, such as the ground.**



### On Board Diagnosis Logic

ABS0007R

DTC No.	Trouble diagnosis name	DTC detecting condition	Possible cause
P0112 0112	Intake air temperature sensor circuit low input	An excessively low voltage from the sensor is sent to ECM.	<ul style="list-style-type: none"> <li>● Harness or connectors (The sensor circuit is open or shorted.)</li> <li>● Intake air temperature sensor</li> </ul>
P0113 0113	Intake air temperature sensor circuit high input	An excessively high voltage from the sensor is sent to ECM.	

### DTC Confirmation Procedure

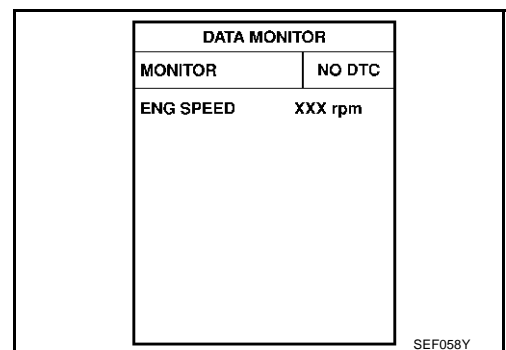
ABS0007S

#### NOTE:

If "DTC Confirmation Procedure" has been previously conducted, always turn ignition switch "OFF" and wait at least 10 seconds before conducting the next test.

#### Ⓟ WITH CONSULT-II

1. Turn ignition switch "ON".
2. Select "DATA MONITOR" mode with CONSULT-II.
3. Wait at least 5 seconds.
4. If 1st trip DTC is detected, go to [EC-185. "Diagnostic Procedure"](#)



# DTC P0112, P0113 IAT SENSOR

---

 **WITH GST**

Follow the procedure "With CONSULT-II" above.

A

**EC**

C

D

E

F

G

H

I

J

K

L

M

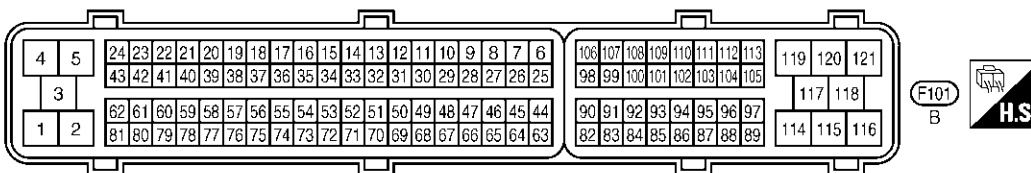
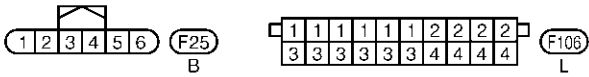
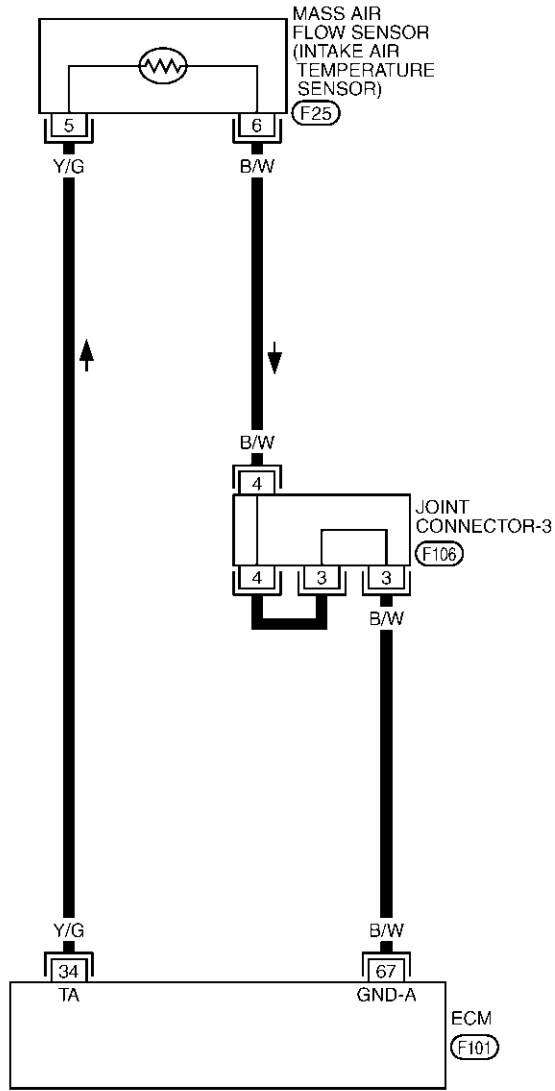
# DTC P0112, P0113 IAT SENSOR

## Wiring Diagram

ABS000TT

### EC-IATS-01

: DETECTABLE LINE FOR DTC  
 : NON-DETECTABLE LINE FOR DTC



TBWT0201E



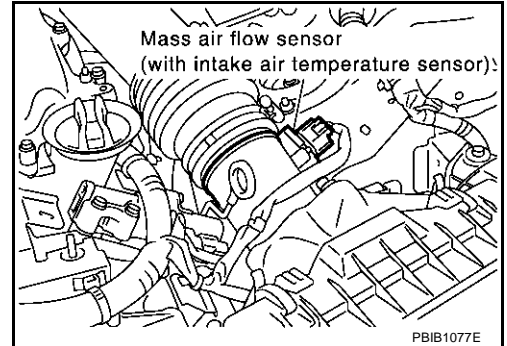
# DTC P0112, P0113 IAT SENSOR

ABS000TU

## Diagnostic Procedure

### 1. CHECK INTAKE AIR TEMPERATURE SENSOR POWER SUPPLY CIRCUIT

1. Turn ignition switch "OFF".
2. Disconnect mass air flow sensor (intake air temperature sensor is built-into) harness connector.
3. Turn ignition switch "ON".

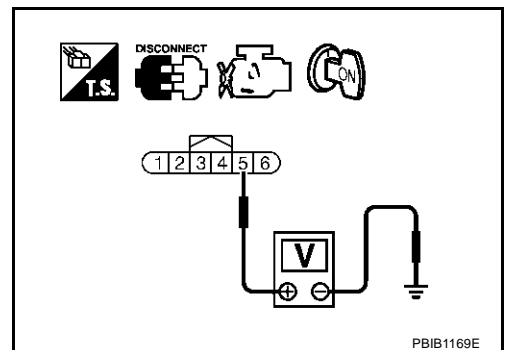


4. Check voltage between mass air flow sensor terminal 5 and ground.

**Voltage: Approximately 5V**

OK or NG

- OK >> GO TO 2.  
NG >> Repair harness or connectors.



### 2. CHECK INTAKE AIR TEMPERATURE SENSOR GROUND CIRCUIT FOR OPEN AND SHORT

1. Turn ignition switch "OFF".
2. Disconnect ECM.
3. Check harness continuity between mass air flow sensor terminal 6 and ECM terminal 67. Refer to Wiring Diagram.

**Continuity should exist.**

4. Also check harness for short to ground and short to power.

OK or NG

- OK >> GO TO 4.  
NG >> GO TO 3.

### 3. DETECT MALFUNCTIONING PART

Check the following.

- Joint connector-3
- Harness for open or short between intake air temperature sensor and ECM

>> Repair open circuit or short to ground or short to power in harness or connectors.

### 4. CHECK INTAKE AIR TEMPERATURE SENSOR

Refer to [EC-186, "Component Inspection"](#) .

OK or NG

- OK >> GO TO 5.  
NG >> Replace mass air flow sensor (with intake air temperature sensor).

# DTC P0112, P0113 IAT SENSOR

## 5. CHECK INTERMITTENT INCIDENT

Refer to [EC-137, "TROUBLE DIAGNOSIS FOR INTERMITTENT INCIDENT"](#) .

>> INSPECTION END

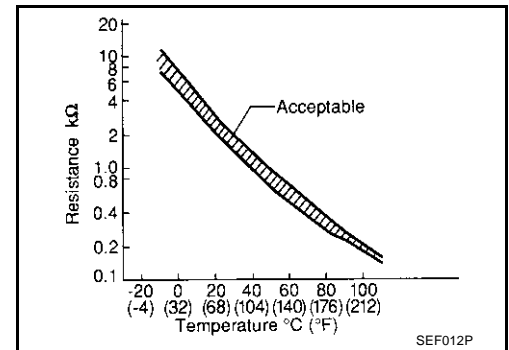
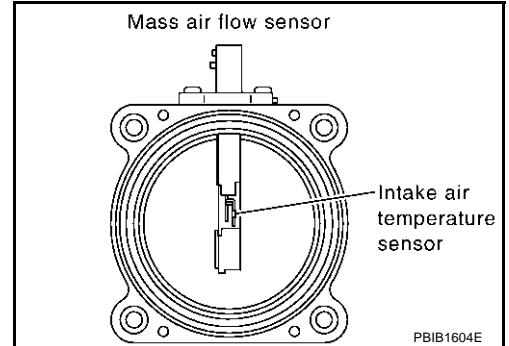
### Component Inspection INTAKE AIR TEMPERATURE SENSOR

ABS000TV

1. Check resistance between mass air flow sensor terminals 5 and 6 under the following conditions.

Intake air temperature °C (°F)	Resistance kΩ
25 (77)	1.94 - 2.06

2. If NG, replace mass air flow sensor (with intake air temperature sensor).



### Removal and Installation MASS AIR FLOW SENSOR

ABS000TW

Refer to [EM-15, "AIR CLEANER AND AIR DUCT"](#) .

# DTC P0117, P0118 ECT SENSOR

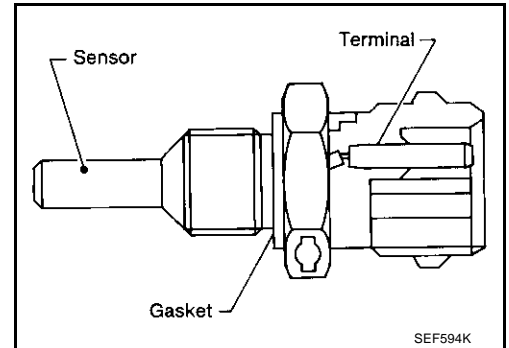
## DTC P0117, P0118 ECT SENSOR

PPF:22630

### Component Description

ABS000TX

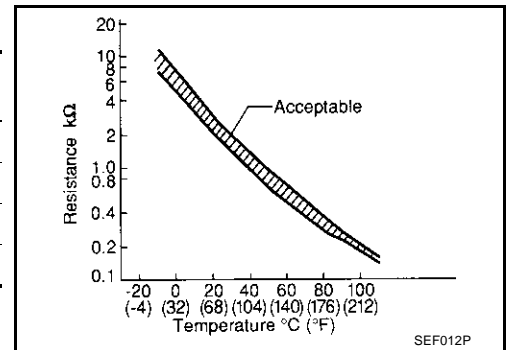
The engine coolant temperature sensor is used to detect the engine coolant temperature. The sensor modifies a voltage signal from the ECM. The modified signal returns to the ECM as the engine coolant temperature input. The sensor uses a thermistor which is sensitive to the change in temperature. The electrical resistance of the thermistor decreases as temperature increases.



### <Reference data>

Engine coolant temperature °C (°F)	Voltage* V	Resistance kΩ
-10 (14)	4.4	7.0 - 11.4
20 (68)	3.5	2.1 - 2.9
50 (122)	2.2	0.68 - 1.00
90 (194)	0.9	0.236 - 0.260

\*: These data are reference values and are measured between ECM terminal 73 (Engine coolant temperature sensor) and ground.



### CAUTION:

Do not use ECM ground terminals when measuring input/output voltage. Doing so may result in damage to the ECM's transistor. Use a ground other than ECM terminals, such as the ground.

### On Board Diagnosis Logic

ABS000TY

These self-diagnoses have the one trip detection logic.

DTC No.	Trouble Diagnosis Name	DTC Detecting Condition	Possible Cause
P0117 0117	Engine coolant temperature sensor circuit low input	An excessively low voltage from the sensor is sent to ECM.	<ul style="list-style-type: none"> <li>● Harness or connectors (The sensor circuit is open or shorted.)</li> <li>● Engine coolant temperature sensor</li> </ul>
P0118 0118	Engine coolant temperature sensor circuit high input	An excessively high voltage from the sensor is sent to ECM.	

### FAIL-SAFE MODE

When the malfunction is detected, the ECM enters fail-safe mode and the MIL lights up.

Detected items	Engine operating condition in fail-safe mode	
Engine coolant temperature sensor circuit	Engine coolant temperature will be determined by ECM based on the time after turning ignition switch "ON" or "START". CONSULT-II displays the engine coolant temperature decided by ECM.	
	Condition	Engine coolant temperature decided (CONSULT-II display)
	Just as ignition switch is turned ON or Start	40°C (104°F)
	More than approx. 4 minutes after ignition ON or Start	80°C (176°F)
	Except as shown above	40 - 80°C (104 - 176°F) (Depends on the time)
When the fail-safe system for engine coolant temperature sensor is activated, the cooling fan operates while engine is running.		

# DTC P0117, P0118 ECT SENSOR

ABS000TZ

## DTC Confirmation Procedure

### NOTE:

If "DTC Confirmation Procedure" has been previously conducted, always turn ignition switch "OFF" and wait at least 10 seconds before conducting the next test.

### WITH CONSULT-II

1. Turn ignition switch "ON".
2. Select "DATA MONITOR" mode with CONSULT-II.
3. Wait at least 5 seconds.
4. If DTC is detected, go to [EC-190, "Diagnostic Procedure"](#) .

DATA MONITOR	
MONITOR	NO DTC
ENG SPEED	XXX rpm

SEF058Y

### WITH GST

Follow the procedure "WITH CONSULT-II" above.

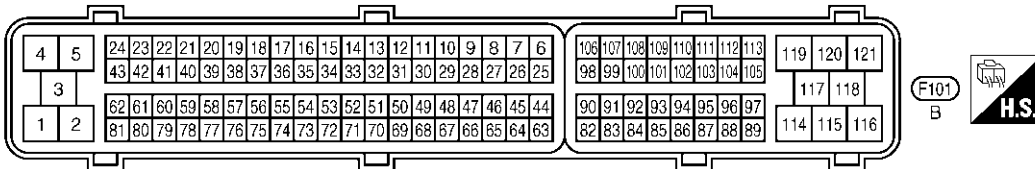
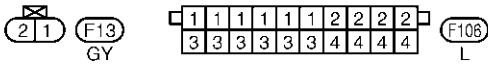
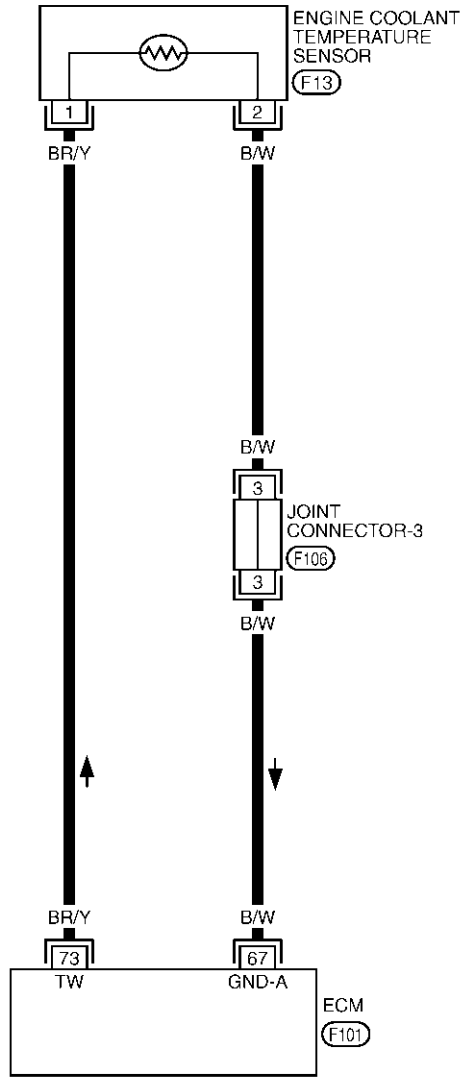
# DTC P0117, P0118 ECT SENSOR

## Wiring Diagram

ABS000U0

### EC-ECTS-01

: DETECTABLE LINE FOR DTC  
 : NON-DETECTABLE LINE FOR DTC



TBWT0202E

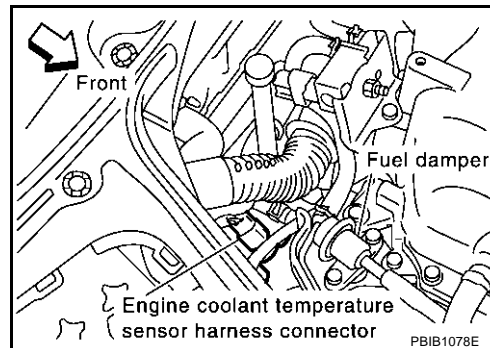
# DTC P0117, P0118 ECT SENSOR

ABS000U1

## Diagnostic Procedure

### 1. CHECK ECT SENSOR POWER SUPPLY CIRCUIT

1. Turn ignition switch "OFF".
2. Disconnect engine coolant temperature (ECT) sensor harness connector.
3. Turn ignition switch "ON".



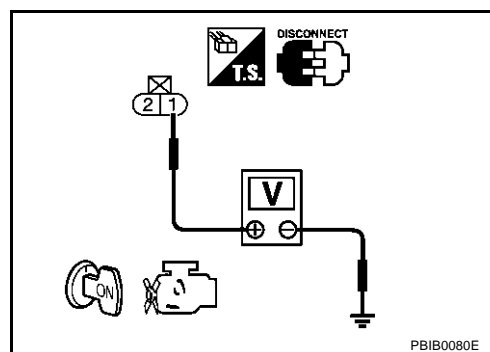
4. Check voltage between ECT sensor terminal 1 and ground with CONSULT-II or tester.

**Voltage: Approximately 5V**

OK or NG

OK >> GO TO 2.

NG >> Repair open circuit or short to ground or short to power in harness or connectors.



### 2. CHECK ECT SENSOR GROUND CIRCUIT FOR OPEN AND SHORT

1. Turn ignition switch "OFF".
2. Check harness continuity between ECT sensor terminal 2 and engine ground. Refer to Wiring Diagram.

**Continuity should exist.**

3. Also check harness for short to power.

OK or NG

OK >> GO TO 4.

NG >> GO TO 3.

### 3. DETECT MALFUNCTIONING PART

Check the following.

- Joint connector-3
- Harness for open and short between ECT sensor and ECM

>> Repair open circuit or short to power in harness or connectors.

### 4. CHECK ENGINE COOLANT TEMPERATURE SENSOR

Refer to [EC-191, "Component Inspection"](#).

OK or NG

OK >> GO TO 5.

NG >> Replace engine coolant temperature sensor.

# DTC P0117, P0118 ECT SENSOR

## 5. CHECK INTERMITTENT INCIDENT

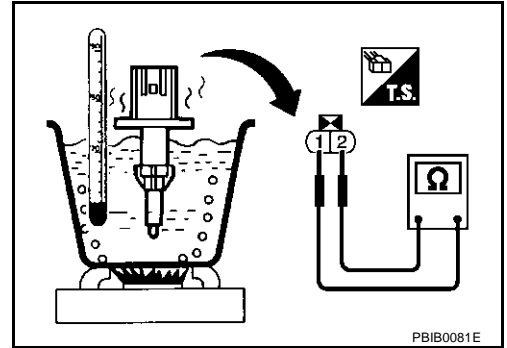
Refer to [EC-137, "TROUBLE DIAGNOSIS FOR INTERMITTENT INCIDENT"](#) .

>> INSPECTION END

### Component Inspection ENGINE COOLANT TEMPERATURE SENSOR

ABS000U2

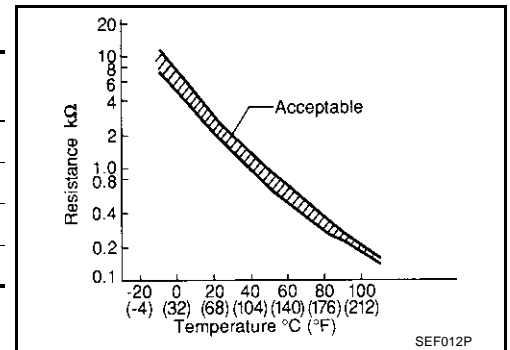
1. Check resistance between engine coolant temperature sensor terminals 1 and 2 as shown in the figure.



#### <Reference data>

Engine coolant temperature °C (°F)	Voltage* V	Resistance kΩ
-10 (14)	4.4	7.0 - 11.4
20 (68)	3.5	2.1 - 2.9
50 (122)	2.2	0.68 - 1.00
90 (194)	0.9	0.236 - 0.260

\*: These data are reference values and are measured between ECM terminal 73 (Engine coolant temperature sensor) and ground.



2. If NG, replace engine coolant temperature sensor.

### Removal and Installation ENGINE COOLANT TEMPERATURE SENSOR

ABS000U3

Refer to [CO-23, "THERMOSTAT AND THERMOSTAT HOUSING"](#) .

# DTC P0122, P0123 TP SENSOR

PFP:16119

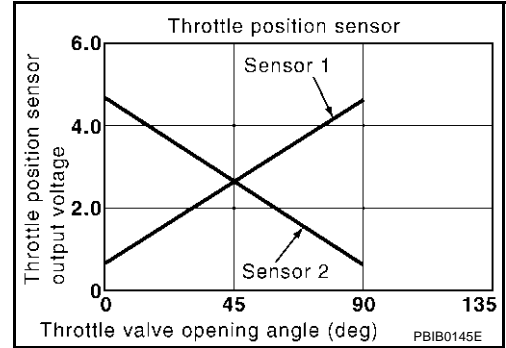
## DTC P0122, P0123 TP SENSOR

### Component Description

ABS0013N

Electric Throttle Control Actuator consists of throttle control motor, throttle position sensor, etc. The throttle position sensor responds to the throttle valve movement.

The throttle position sensor has the two sensors. These sensors are a kind of potentiometers which transform the throttle valve position into output voltage, and emit the voltage signal to the ECM. In addition, these sensors detect the opening and closing speed of the throttle valve and feed the voltage signals to the ECM. The ECM judges the current opening angle of the throttle valve from these signals and the ECM controls the throttle control motor to make the throttle valve opening angle properly in response to driving condition.



### CONSULT-II Reference Value in Data Monitor Mode

ABS002VT

Specification data are reference values.

MONITOR ITEM	CONDITION		SPECIFICATION
THRTL SEN1 THRTL SEN2*	<ul style="list-style-type: none"> <li>Ignition switch: ON (Engine stopped)</li> <li>Shift lever: D (A/T), 1st (M/T)</li> </ul>	Accelerator pedal: Fully released	More than 0.36V
		Accelerator pedal: Fully depressed	Less than 4.75V

\*: Throttle position sensor 2 signal is converted by ECM internally. Thus, it differs from ECM terminal voltage signal.

### On Board Diagnosis Logic

ABS0013P

These self-diagnoses have the one trip detection logic.

DTC No.	Trouble diagnosis name	DTC detecting condition	Possible cause
P0122 0122	Throttle position sensor 2 circuit low input	An excessively low voltage from the TP sensor 2 is sent to ECM.	<ul style="list-style-type: none"> <li>Harness or connectors (The TP sensor 2 circuit is open or shorted.) (APP sensor 2 circuit is shorted.)</li> <li>Electric throttle control actuator (TP sensor 2)</li> <li>Accelerator pedal position sensor (APP sensor 2)</li> </ul>
P0123 0123	Throttle position sensor 2 circuit high input	An excessively high voltage from the TP sensor 2 is sent to ECM.	

### FAIL-SAFE MODE

When the malfunction is detected, ECM enters fail-safe mode and the MIL lights up.

#### Engine operation condition in fail-safe mode

The ECM controls the electric throttle control actuator in regulating the throttle opening in order for the idle position to be within +10 degrees.

The ECM regulates the opening speed of the throttle valve to be slower than the normal condition.

So, the acceleration will be poor.



# DTC P0122, P0123 TP SENSOR

ABS0013Q

## DTC Confirmation Procedure

### NOTE:

If "DTC Confirmation Procedure" has been previously conducted, always turn ignition switch "OFF" and wait at least 10 seconds before conducting the next test.

### TESTING CONDITION:

Before performing the following procedure, confirm that battery voltage is more than 10V at idle.

### WITH CONSULT-II

1. Turn ignition switch "ON".
2. Select "DATA MONITOR" mode with CONSULT-II.
3. Start engine and let it idle for 1 second.
4. If DTC is detected, go to [EC-195, "Diagnostic Procedure"](#) .

DATA MONITOR	
MONITOR	NO DTC
ENG SPEED	XXX rpm

SEF058Y

### WITH GST

Follow the procedure "WITH CONSULT-II" above.

A

EC

C

D

E

F

G

H

I

J

K

L

M

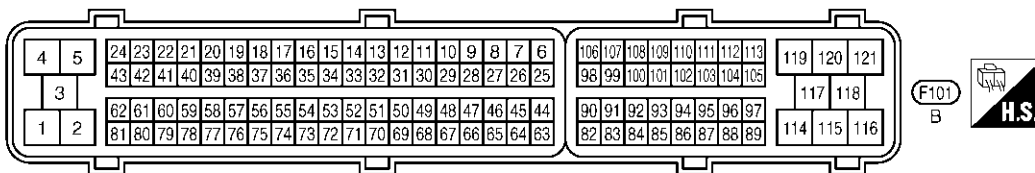
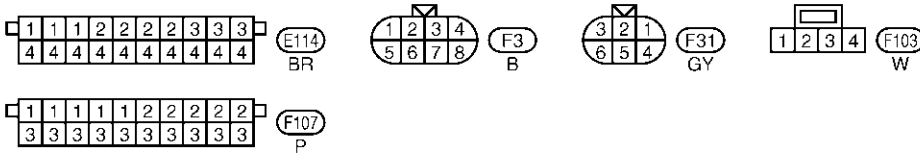
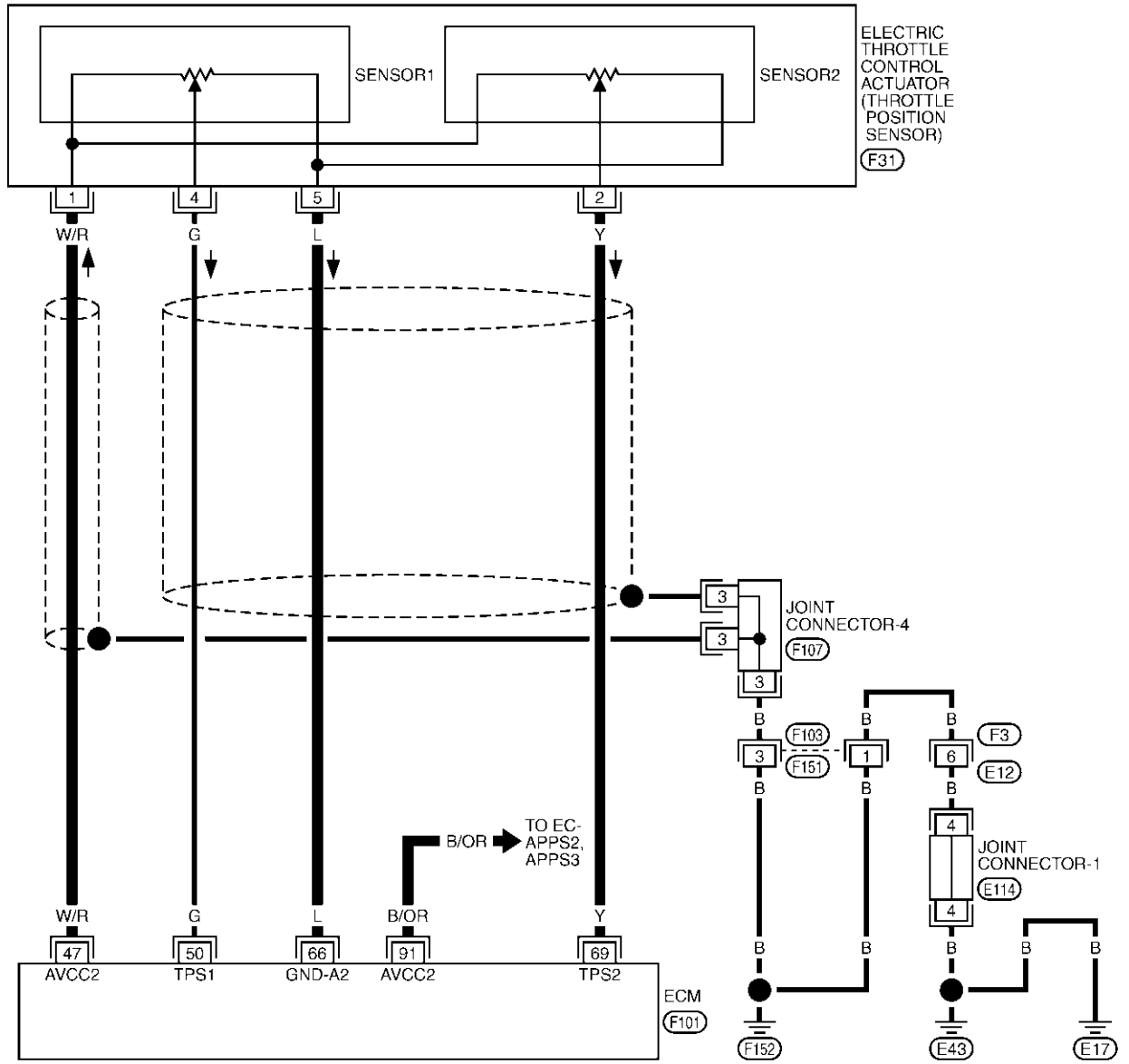
# DTC P0122, P0123 TP SENSOR

## Wiring Diagram

ABS0013R

### EC-TPS2-01

: DETECTABLE LINE FOR DTC  
 : NON-DETECTABLE LINE FOR DTC



TBWB0256E

# DTC P0122, P0123 TP SENSOR

Specification data are reference values and are measured between each terminal and ground.

**CAUTION:**

**Do not use ECM ground terminals when measuring input/output voltage. Doing so may result in damage to the ECM's transistor. Use a ground other than ECM terminals, such as the ground.**

TER-MINAL NO.	WIRE COLOR	ITEM	CONDITION	DATA (DC Voltage)
47	W/R	Sensors' power supply (Throttle position sensor)	<b>[Ignition switch "ON"]</b>	Approximately 5V
50	G	Throttle position sensor 1	<b>[Ignition switch "ON"]</b> <ul style="list-style-type: none"> <li>● Engine stopped</li> <li>● Shift lever: "D" (A/T) or "1st" (M/T)</li> <li>● Accelerator pedal fully released</li> </ul>	More than 0.36V
			<b>[Ignition switch "ON"]</b> <ul style="list-style-type: none"> <li>● Engine stopped</li> <li>● Shift lever: "D" (A/T) or "1st" (M/T)</li> <li>● Accelerator pedal fully depressed</li> </ul>	Less than 4.75V
66	L	Sensors' ground (Throttle position sensor)	<b>[Engine is running]</b> <ul style="list-style-type: none"> <li>● Warm-up condition</li> <li>● Idle speed</li> </ul>	Approximately 0V
69	Y	Throttle position sensor 2	<b>[Ignition switch "ON"]</b> <ul style="list-style-type: none"> <li>● Engine stopped</li> <li>● Shift lever: "D" (A/T) or "1st" (M/T)</li> <li>● Accelerator pedal fully released</li> </ul>	Less than 4.75V
			<b>[Ignition switch "ON"]</b> <ul style="list-style-type: none"> <li>● Engine stopped</li> <li>● Shift lever: "D" (A/T) or "1st" (M/T)</li> <li>● Accelerator pedal fully depressed</li> </ul>	More than 0.36V
91	B/OR	Sensors' power supply (APP sensor 2)	<b>[Ignition switch "ON"]</b>	Approximately 5V

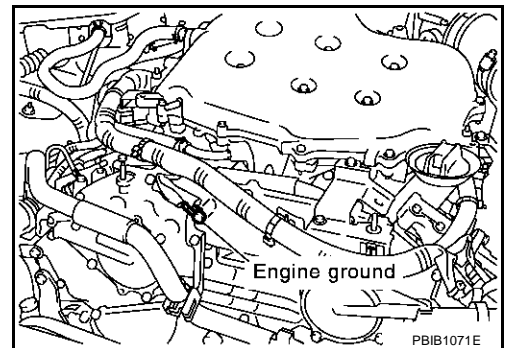
## Diagnostic Procedure

ABS0013S

### 1. RETIGHTEN GROUND SCREWS

1. Turn ignition switch "OFF".
2. Loosen and retighten engine ground screws.

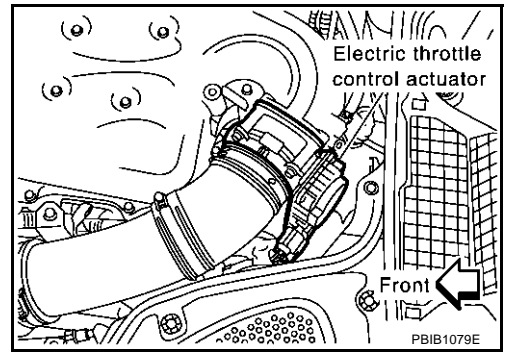
>> GO TO 2.



# DTC P0122, P0123 TP SENSOR

## 2. CHECK THROTTLE POSITION SENSOR 2 POWER SUPPLY CIRCUIT-I

1. Disconnect electric throttle control actuator harness connector.
2. Turn ignition switch "ON".

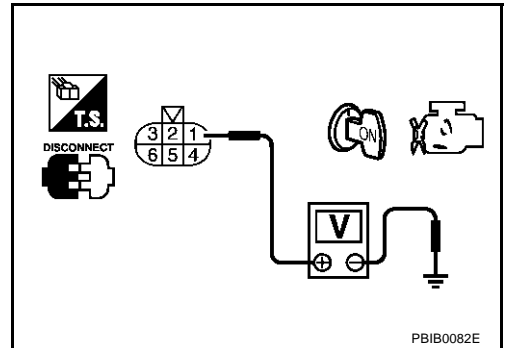


3. Check voltage between electric throttle control actuator terminal 1 and ground with CONSULT-II or tester.

**Voltage: Approximately 5V**

OK or NG

- OK >> GO TO 7.  
NG >> GO TO 3.



## 3. CHECK THROTTLE POSITION SENSOR 2 POWER SUPPLY CIRCUIT-II

1. Turn ignition switch "OFF".
2. Disconnect ECM harness connector.
3. Check harness continuity between electric throttle control actuator terminal 1 and ECM terminal 47. Refer to Wiring Diagram.

**Continuity should exist.**

OK or NG

- OK >> GO TO 4.  
NG >> Repair or replace open circuit.

## 4. CHECK THROTTLE POSITION SENSOR 2 POWER SUPPLY CIRCUIT-III

Check harness for short to power and short to ground, between the following terminals.

ECM terminal	Sensor terminal	Reference Wiring Diagram
47	Electric throttle control actuator terminal 1	<a href="#">EC-194</a>
91	APP sensor terminal 4	<a href="#">EC-559</a>

OK or NG

- OK >> GO TO 5.  
NG >> Repair short to ground or short to power in harness or connectors.

## 5. CHECK APP SENSOR

Refer to [EC-565, "Component Inspection"](#).

OK or NG

- OK >> GO TO 11.  
NG >> GO TO 6.

## DTC P0122, P0123 TP SENSOR

---

### 6. REPLACE ACCELERATOR PEDAL ASSEMBLY

---

1. Replace accelerator pedal assembly.
2. Perform [EC-50, "Accelerator Pedal Released Position Learning"](#) .
3. Perform [EC-51, "Throttle Valve Closed Position Learning"](#) .
4. Perform [EC-51, "Idle Air Volume Learning"](#) .

>> INSPECTION END

---

### 7. CHECK THROTTLE POSITION SENSOR 2 GROUND CIRCUIT FOR OPEN AND SHORT

---

1. Turn ignition switch "OFF".
2. Disconnect ECM harness connector.
3. Check harness continuity between electric throttle control actuator terminal 5 and ECM terminal 66.  
Refer to Wiring Diagram.

**Continuity should exist.**

4. Also check harness for short to ground and short to power.

OK or NG

OK >> GO TO 8.

NG >> Repair open circuit or short to ground or short to power in harness or connectors.

---

### 8. CHECK THROTTLE POSITION SENSOR 2 INPUT SIGNAL CIRCUIT FOR OPEN AND SHORT

---

1. Check harness continuity between ECM terminal 69 and electric throttle control actuator terminal 2.  
Refer to Wiring Diagram.

**Continuity should exist.**

2. Also check harness for short to ground and short to power.

OK or NG

OK >> GO TO 9.

NG >> Repair open circuit or short to ground or short to power in harness or connectors.

---

### 9. CHECK THROTTLE POSITION SENSOR

---

Refer to [EC-198, "Component Inspection"](#) .

OK or NG

OK >> GO TO 11.

NG >> GO TO 10.

---

### 10. REPLACE ELECTRIC THROTTLE CONTROL ACTUATOR

---

1. Replace the electric throttle control actuator.
2. Perform [EC-51, "Throttle Valve Closed Position Learning"](#) .
3. Perform [EC-51, "Idle Air Volume Learning"](#) .

>> INSPECTION END

---

### 11. CHECK INTERMITTENT INCIDENT

---

Refer to [EC-137, "TROUBLE DIAGNOSIS FOR INTERMITTENT INCIDENT"](#) .

>> INSPECTION END

# DTC P0122, P0123 TP SENSOR

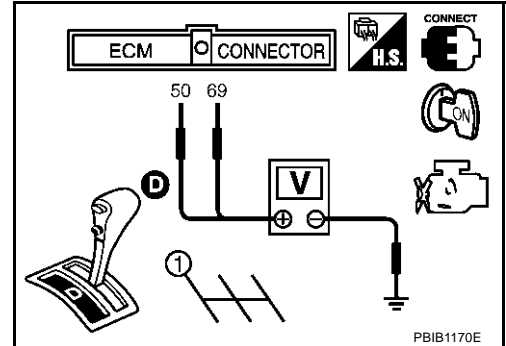
ABS0013T

## Component Inspection THROTTLE POSITION SENSOR

1. Reconnect all harness connectors disconnected.
2. Perform [EC-51, "Throttle Valve Closed Position Learning"](#) .
3. Turn ignition switch "ON".
4. Set selector lever to "D" (A/T) or "1st" (M/T) position.
5. Check voltage between ECM terminals 50 (TP sensor 1signal), 69 (TP sensor 2signal) and engine ground under the following conditions.

Terminal	Accelerator pedal	Voltage
50 (Throttle position sensor 1)	Fully released	More than 0.36V
	Fully depressed	Less than 4.75V
69 (Throttle position sensor 2)	Fully released	Less than 4.75V
	Fully depressed	More than 0.36V

6. If NG, replace electric throttle control actuator and go to the next step.
7. Perform [EC-51, "Throttle Valve Closed Position Learning"](#) .
8. Perform [EC-51, "Idle Air Volume Learning"](#) .



## Removal and Installation ELECTRIC THROTTLE CONTROL ACTUATOR

ABS0013U

Refer to [EM-17, "INTAKE MANIFOLD COLLECTOR"](#) .

# DTC P0125 ECT SENSOR

## DTC P0125 ECT SENSOR

PFP:22630

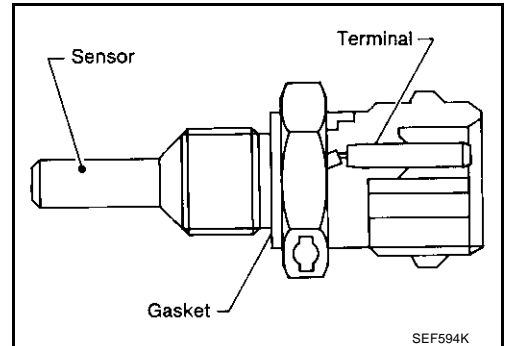
### Component Description

ABS000UD

**NOTE:**

If DTC P0125 is displayed with P0117 or P0118, first perform the trouble diagnosis for DTC P0117 or P0118. Refer to [EC-187](#).

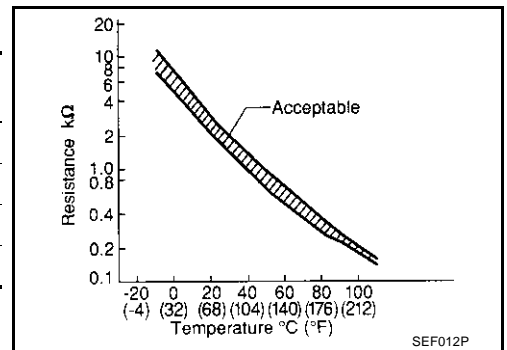
The engine coolant temperature sensor is used to detect the engine coolant temperature. The sensor modifies a voltage signal from the ECM. The modified signal returns to the ECM as the engine coolant temperature input. The sensor uses a thermistor which is sensitive to the change in temperature. The electrical resistance of the thermistor decreases as temperature increases.



**<Reference data>**

Engine coolant temperature °C (°F)	Voltage* V	Resistance kΩ
-10 (14)	4.4	7.0 - 11.4
20 (68)	3.5	2.1 - 2.9
50 (122)	2.2	0.68 - 1.00
90 (194)	0.9	0.236 - 0.260

\*: These data are reference values and are measured between ECM terminal 73 (Engine coolant temperature sensor) and ground.



**CAUTION:**

Do not use ECM ground terminals when measuring input/output voltage. Doing so may result in damage to the ECM's transistor. Use a ground other than ECM terminals, such as the ground.

### On Board Diagnosis Logic

ABS000UE

This self-diagnosis has the one trip detection logic.

DTC No.	Trouble diagnosis name	DTC detecting condition	Possible cause
P0125 0125	Insufficient engine coolant temperature for closed loop fuel control	<ul style="list-style-type: none"> <li>● Voltage sent to ECM from the sensor is not practical, even when some time has passed after starting the engine.</li> <li>● Engine coolant temperature is insufficient for closed loop fuel control.</li> </ul>	<ul style="list-style-type: none"> <li>● Harness or connectors (High resistance in the circuit)</li> <li>● Engine coolant temperature sensor</li> <li>● Thermostat</li> </ul>

# DTC P0125 ECT SENSOR

ABS000UF

## DTC Confirmation Procedure

### CAUTION:

Be careful not to overheat engine.

### NOTE:

If "DTC Confirmation Procedure" has been previously conducted, always turn ignition switch "OFF" and wait at least 10 seconds before conducting the next test.

### WITH CONSULT-II

1. Turn ignition switch "ON".
2. Select "DATA MONITOR" mode with CONSULT-II.
3. Check that "COOLAN TEMP/S" is above 10°C (50°F).  
**If it is above 10°C (50°F), the test result will be OK.**  
**If it is below 10°C (50°F), go to following step.**
4. Start engine and run it for 65 minutes at idle speed.  
**If "COOLAN TEMP/S" increases to more than 10°C (50°F) within 65 minutes, stop engine because the test result will be OK.**
5. If 1st trip DTC is detected, go to [EC-200, "Diagnostic Procedure"](#)

DATA MONITOR	
MONITOR	NO DTC
ENG SPEED	XXX rpm
COOLAN TEMP/S	XXX °C

SEF174Y

### WITH GST

Follow the procedure "WITH CONSULT-II" above.

## Diagnostic Procedure

ABS000UH

### 1. CHECK ENGINE COOLANT TEMPERATURE SENSOR

Refer to [EC-201, "Component Inspection"](#) .

OK or NG

- OK >> GO TO 2.  
NG >> Replace engine coolant temperature sensor.

### 2. CHECK THERMOSTAT OPERATION

When the engine is cold [lower than 70°C (158°F)] condition, grasp lower radiator hose and confirm the engine coolant does not flow.

OK or NG

- OK >> GO TO 3.  
NG >> Repair or replace thermostat. Refer to [CO-23, "THERMOSTAT AND THERMOSTAT HOUSING"](#) .

### 3. CHECK INTERMITTENT INCIDENT

Refer to [EC-137, "TROUBLE DIAGNOSIS FOR INTERMITTENT INCIDENT"](#) .

Refer to [EC-189, "Wiring Diagram"](#) .

>> INSPECTION END

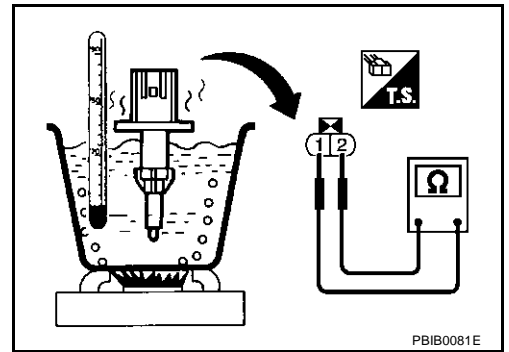


# DTC P0125 ECT SENSOR

## Component Inspection ENGINE COOLANT TEMPERATURE SENSOR

ABS000UJ

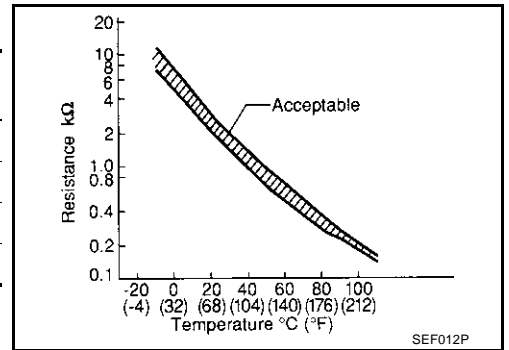
1. Check resistance between engine coolant temperature sensor terminals 1 and 2 as shown in the figure.



### <Reference data>

Engine coolant temperature °C (°F)	Voltage* V	Resistance kΩ
-10 (14)	4.4	7.0 - 11.4
20 (68)	3.5	2.1 - 2.9
50 (122)	2.2	0.68 - 1.00
90 (194)	0.9	0.236 - 0.260

\*: These data are reference values and are measured between ECM terminal 73 (Engine coolant temperature sensor) and ground.



2. If NG, replace engine coolant temperature sensor.

## Removal and Installation ENGINE COOLANT TEMPERATURE SENSOR

ABS000UJ

Refer to [CO-23, "THERMOSTAT AND THERMOSTAT HOUSING"](#).

# DTC P0127 IAT SENSOR

## DTC P0127 IAT SENSOR

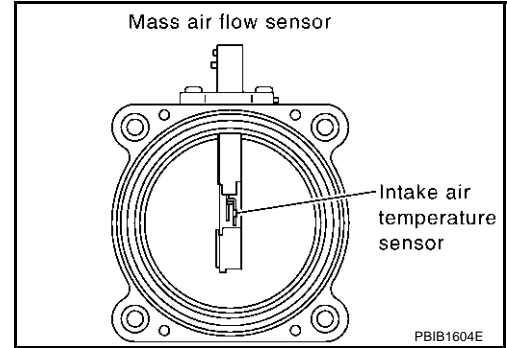
PFP:22630

### Component Description

ABS000UK

The intake air temperature sensor is built into mass air flow sensor. The sensor detects intake air temperature and transmits a signal to the ECM.

The temperature sensing unit uses a thermistor which is sensitive to the change in temperature. Electrical resistance of the thermistor decreases in response to the temperature rise.



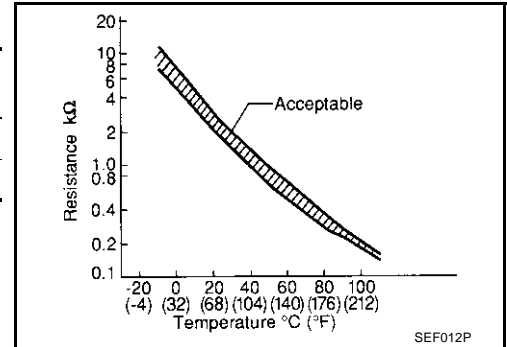
### <Reference data>

Intake air temperature °C (°F)	Voltage* V	Resistance kΩ
25 (77)	3.32	1.94 - 2.06
80 (176)	1.23	0.295 - 0.349

\*: These data are reference values and are measured between ECM terminal 34 (Intake air temperature sensor) and ground.

### CAUTION:

**Do not use ECM ground terminals when measuring input/output voltage. Doing so may result in damage to the ECM's transistor. Use a ground other than ECM terminals, such as the ground.**



### On Board Diagnosis Logic

ABS000UL

DTC No.	Trouble diagnosis name	DTC detecting condition	Possible cause
P0127 0127	Intake air temperature too high	Rationally incorrect voltage from the sensor is sent to ECM, compared with the voltage signal from engine coolant temperature sensor.	<ul style="list-style-type: none"> <li>● Harness or connectors (The sensor circuit is open or shorted)</li> <li>● Intake air temperature sensor</li> </ul>

### DTC Confirmation Procedure

ABS000UM

#### NOTE:

If "DTC Confirmation Procedure" has been previously conducted, always turn ignition switch "OFF" and wait at least 10 seconds before conducting the next test.

#### CAUTION:

**Always drive vehicle at a safe speed.**

#### TESTING CONDITION:

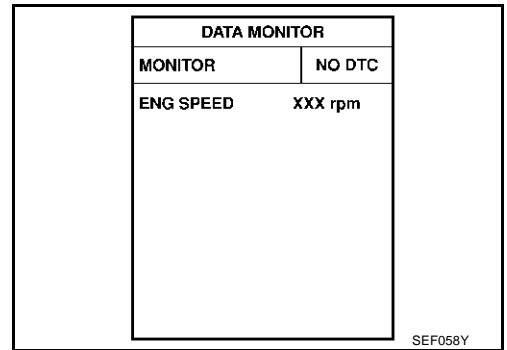
**This test may be conducted with the drive wheels lifted in the shop or by driving the vehicle. If a road test is expected to be easier, it is unnecessary to lift the vehicle.**

#### Ⓜ WITH CONSULT-II

1. Wait until engine coolant temperature is less than 90°C (194°F)
  - a. Turn ignition switch "ON".

# DTC P0127 IAT SENSOR

- b. Select "DATA MONITOR" mode with CONSULT-II.
  - c. Check the engine coolant temperature.
  - d. If the engine coolant temperature is not less than 90°C (194°F), turn ignition switch "OFF" and cool down engine.
    - Perform the following steps before engine coolant temperature is above 90°C (194°F).
2. Turn ignition switch "ON".
  3. Select "DATA MONITOR" mode with CONSULT-II.
  4. Start engine.
  5. Hold vehicle speed at more than 70 km/h (43 MPH) for 100 consecutive seconds.
  6. If 1st trip DTC is detected, go to [EC-203, "Diagnostic Procedure"](#).



## WITH GST

Follow the procedure "WITH CONSULT-II" above.

## Diagnostic Procedure

ABS000UO

### 1. CHECK INTAKE AIR TEMPERATURE SENSOR

Refer to [EC-186, "Component Inspection"](#).

OK or NG

OK >> GO TO 2.

NG >> Replace mass air flow sensor (with intake air temperature sensor).

### 2. CHECK INTERMITTENT INCIDENT

Refer to [EC-137, "TROUBLE DIAGNOSIS FOR INTERMITTENT INCIDENT"](#).

Refer to [EC-184, "Wiring Diagram"](#).

>> INSPECTION END

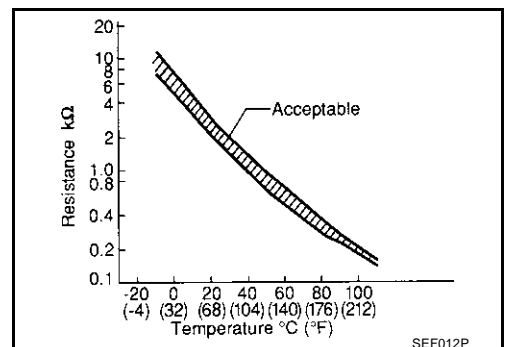
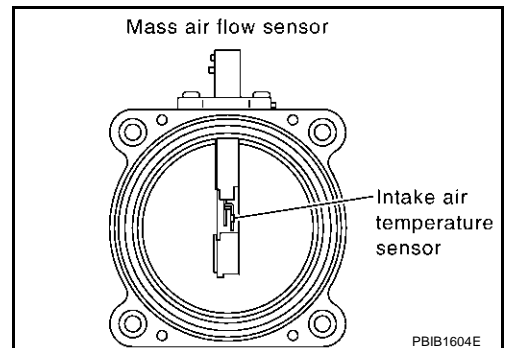
## Component Inspection INTAKE AIR TEMPERATURE SENSOR

ABS000UP

1. Check resistance between intake air temperature sensor terminals 5 and 6 under the following conditions.

Intake air temperature °C (°F)	Resistance kΩ
25 (77)	1.94 - 2.06

2. If NG, replace mass air flow sensor (with intake air temperature sensor).



# DTC P0127 IAT SENSOR

---

## Removal and Installation MASS AIR FLOW SENSOR

ABS000UQ

Refer to [EM-15, "AIR CLEANER AND AIR DUCT"](#) .

# DTC P0128 THERMOSTAT FUNCTION

## DTC P0128 THERMOSTAT FUNCTION

PFP:21200

### On Board Diagnosis Logic

ABS000UR

Engine coolant temperature has not risen enough to open the thermostat even though the engine has run long enough.

This is due to a leak in the seal or the thermostat stuck open.

DTC No.	Trouble diagnosis name	DTC detecting condition	Possible cause
P0128 0128	Thermostat function	The engine coolant temperature does not reach to specified temperature even though the engine has run long enough.	<ul style="list-style-type: none"><li>● Thermostat</li><li>● Leakage from sealing portion of thermostat</li><li>● Engine coolant temperature sensor</li></ul>

### DTC Confirmation Procedure

ABS000US

#### NOTE:

If "DTC Confirmation Procedure" has been previously conducted, always turn ignition switch "OFF" and wait at least 10 seconds before conducting the next test.

#### TESTING CONDITION:

- For best results, perform at ambient temperature of  $-10^{\circ}\text{C}$  ( $14^{\circ}\text{F}$ ) or higher.
- For best results, perform at engine coolant temperature of  $-10^{\circ}\text{C}$  ( $14^{\circ}\text{F}$ ) to  $60^{\circ}\text{C}$  ( $140^{\circ}\text{F}$ ).

#### WITH CONSULT-II

1. Replace thermostat with new one. Refer to [CO-23, "THERMOSTAT AND THERMOSTAT HOUSING"](#). Use only a genuine NISSAN thermostat as a replacement. If an incorrect thermostat is used, the MIL may come on.
2. Turn ignition switch "ON".
3. Select "COOLAN TEMP/S" in "DATA MONITOR" mode with CONSULT-II.
4. Check that the "COOLAN TEMP/S" is above  $60^{\circ}\text{C}$  ( $140^{\circ}\text{F}$ ).  
If it is below  $60^{\circ}\text{C}$  ( $140^{\circ}\text{F}$ ), go to following step.  
If it is above  $60^{\circ}\text{C}$  ( $140^{\circ}\text{F}$ ), stop engine and cool down the engine to less than  $60^{\circ}\text{C}$  ( $140^{\circ}\text{F}$ ), then retry from step 1.
5. Drive vehicle for 10 consecutive minutes under the following conditions.

VHCL SPEED SE	80 - 120 km/h (50 - 75 MPH)
---------------	-----------------------------

If 1st trip DTC is detected, go to [EC-205, "Diagnostic Procedure"](#).

#### WITH GST

1. Follow the procedure "WITH CONSULT-II" above.

### Diagnostic Procedure

ABS000UT

#### 1. CHECK ENGINE COOLANT TEMPERATURE SENSOR

Refer to [EC-206, "Component Inspection"](#).

#### OK or NG

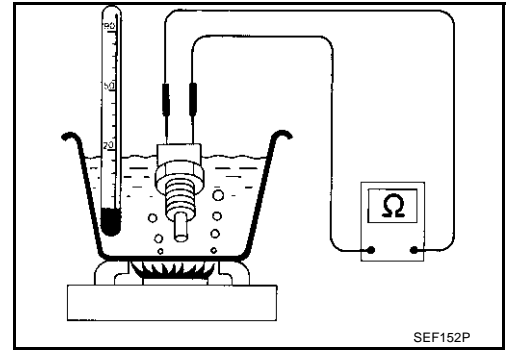
- OK >> **INSPECTION END**  
NG >> Replace engine coolant temperature sensor.

# DTC P0128 THERMOSTAT FUNCTION

## Component Inspection ENGINE COOLANT TEMPERATURE SENSOR

ABS000UU

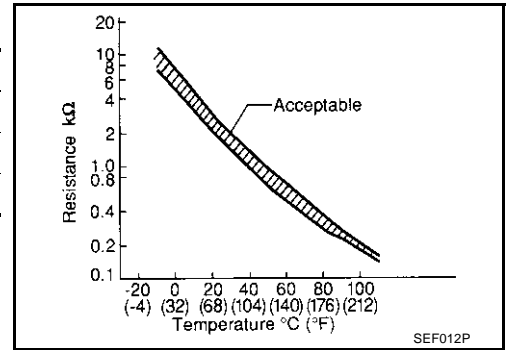
Check resistance as shown in the figure.



### <Reference data>

Temperature °C (°F)	Resistance kΩ
20 (68)	2.1 - 2.9
50 (122)	0.68 - 1.0
90 (194)	0.236 - 0.260

If NG, replace engine coolant temperature sensor.



## Removal and Installation ENGINE COOLANT TEMPERATURE SENSOR

ABS000UV

Refer to [CO-23, "THERMOSTAT AND THERMOSTAT HOUSING"](#).

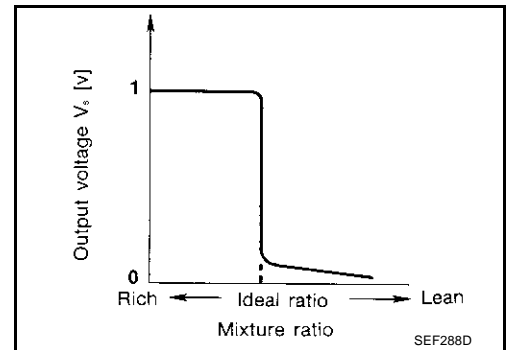
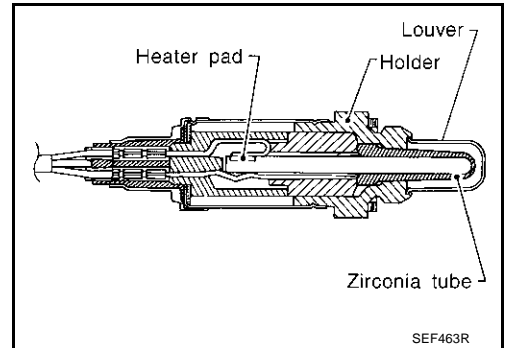
**DTC P0132, P0152 HO2S1**

PFP:22690

**Component Description**

ABS000UW

The heated oxygen sensor 1 is placed into the exhaust manifold. It detects the amount of oxygen in the exhaust gas compared to the outside air. The heated oxygen sensor 1 has a closed-end tube made of ceramic zirconia. The zirconia generates voltage from approximately 1V in richer conditions to 0V in leaner conditions. The heated oxygen sensor 1 signal is sent to the ECM. The ECM adjusts the injection pulse duration to achieve the ideal air-fuel ratio. The ideal air-fuel ratio occurs near the radical change from 1 to 0V.



**CONSULT-II Reference Value in Data Monitor Mode**

ABS000UX

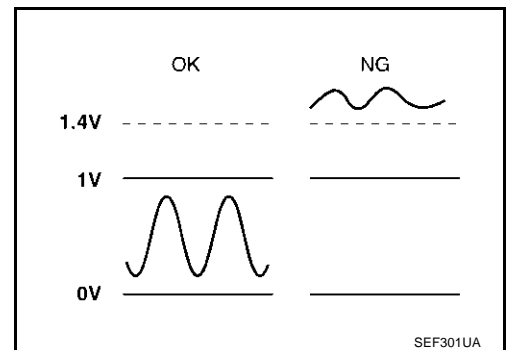
Specification data are reference values.

MONITOR ITEM	CONDITION		SPECIFICATION
HO2S1 (B1) HO2S1 (B2)	● Engine: After warming up	Maintaining engine speed at 2,000 rpm	0 - 0.3V ↔ Approx. 0.6 - 1.0V
HO2S1 MNTR (B1) HO2S1 MNTR (B2)	● Engine: After warming up	Maintaining engine speed at 2,000 rpm	LEAN ↔ RICH Changes more than 5 times during 10 seconds.

**On Board Diagnosis Logic**

ABS000UY

To judge the malfunction, the diagnosis checks that the heated oxygen sensor 1 output is not inordinately high.



DTC No.	Trouble diagnosis name	DTC detecting condition	Possible cause
P0132 0132 (Bank 1)	Heated oxygen sensor 1 circuit high voltage	An excessively high voltage from the sensor is sent to ECM.	<ul style="list-style-type: none"> <li>● Harness or connectors (The sensor circuit is open or shorted)</li> <li>● Heated oxygen sensor 1</li> </ul>
P0152 0152 (Bank 2)			

## DTC Confirmation Procedure

**NOTE:**

If "DTC Confirmation Procedure" has been previously conducted, always turn ignition switch "OFF" and wait at least 10 seconds before conducting the next test.

**CONSULT-II**

1. Start engine and warm it up to normal operating temperature.
2. Turn ignition switch "OFF" and wait at least 10 seconds.
3. Turn ignition switch "ON".
4. Select "DATA MONITOR" mode with CONSULT-II.
5. Restart engine and let it idle for 2 minutes.
6. If 1st trip DTC is detected, go to [EC-212, "Diagnostic Procedure"](#).

DATA MONITOR	
MONITOR	NO DTC
ENG SPEED	XXX rpm
COOLANT TEMP/S	XXX °C

SEF174Y

**GST**

1. Start engine and warm it up to normal operating temperature.
  2. Turn ignition switch "OFF" and wait at least 10 seconds.
  3. Restart engine and let it idle for 2 minutes.
  4. Turn ignition switch "OFF" and wait at least 10 seconds.
  5. Restart engine and let it idle for 2 minutes.
  6. Select "MODE 3" with GST.
  7. If DTC is detected, go to [EC-212, "Diagnostic Procedure"](#).
- **When using GST, "DTC Confirmation Procedure" should be performed twice as much as when using CONSULT-II because GST cannot display MODE 7 (1st trip DTC) concerning this diagnosis. Therefore, using CONSULT-II is recommended.**

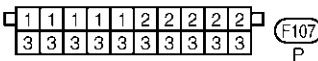
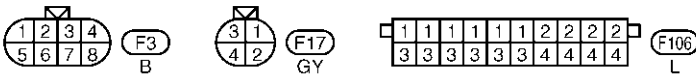
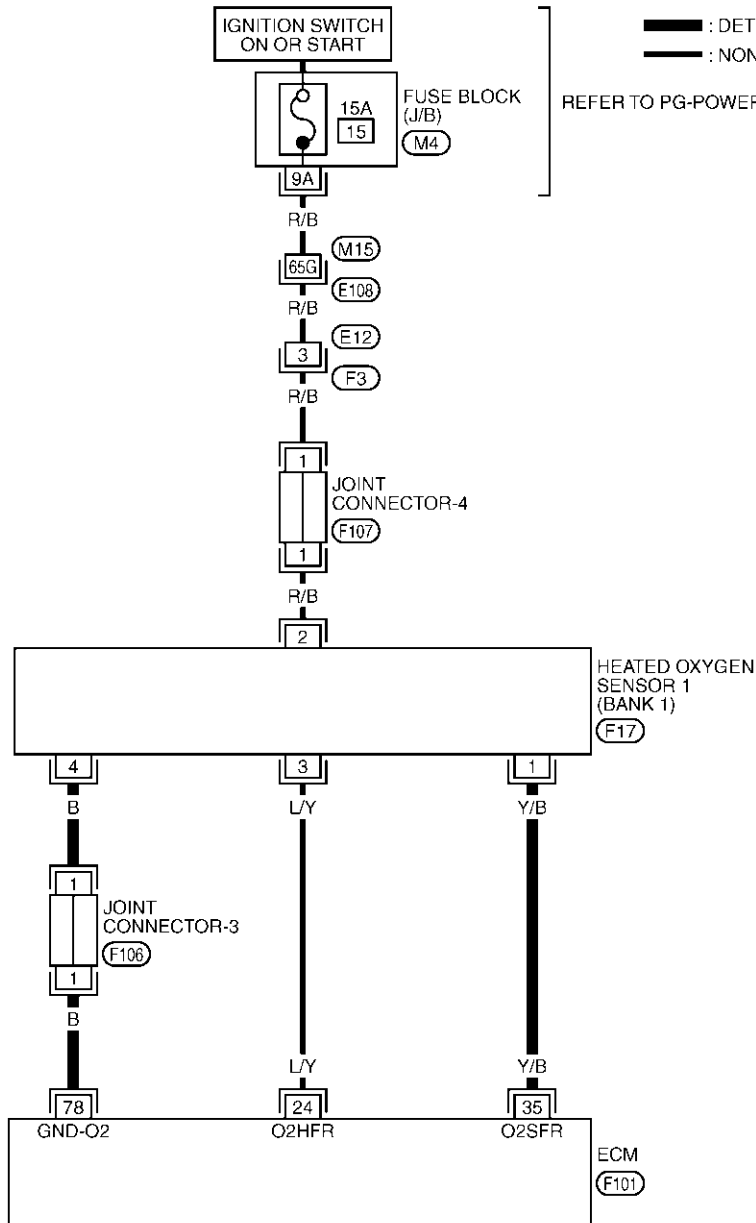


# DTC P0132, P0152 HO2S1

ABS000V0

## Wiring Diagram BANK 1

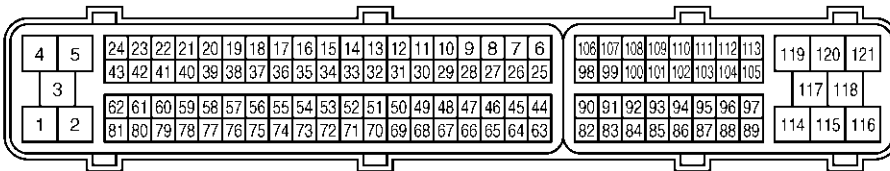
### EC-O2S1B1-01



REFER TO THE FOLLOWING.

(E108) -SUPER MULTIPLE JUNCTION (SMJ)

(M4) -FUSE BLOCK-JUNCTION BOX (J/B)



TBWT0203E

## DTC P0132, P0152 HO2S1

Specification data are reference values and are measured between each terminal and ground.

**CAUTION:**

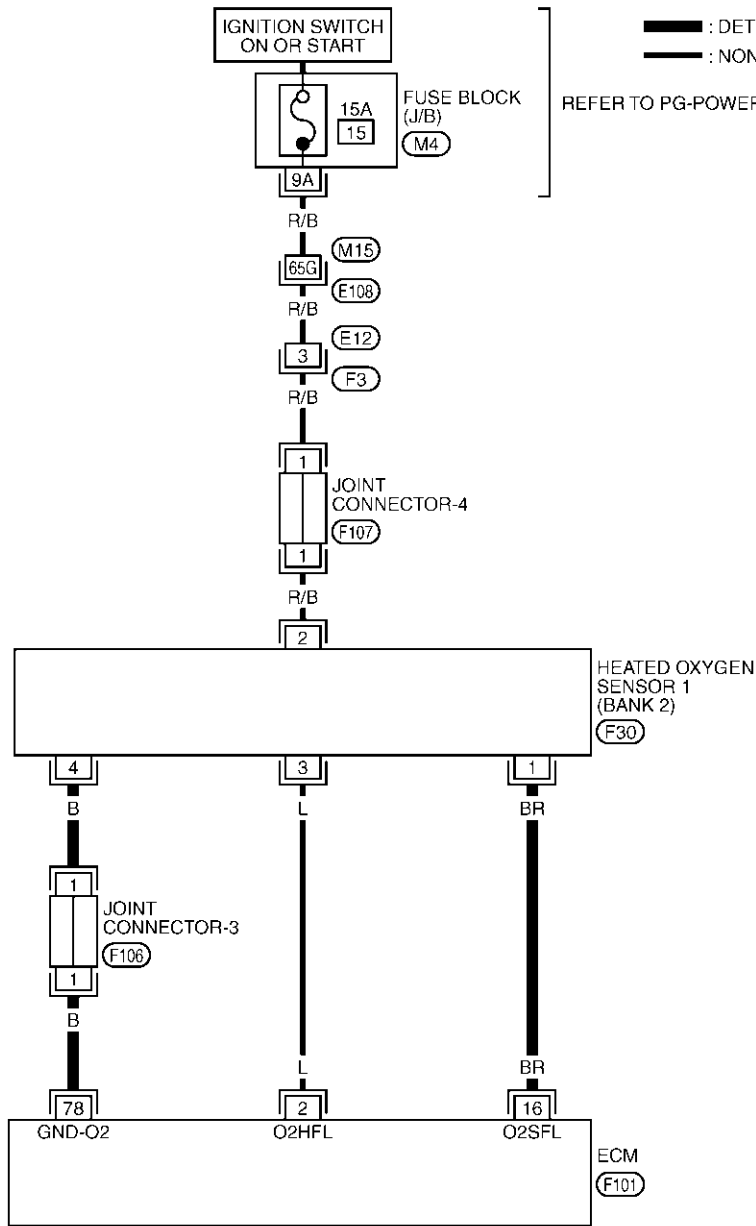
**Do not use ECM ground terminals when measuring input/output voltage. Doing so may result in damage to the ECM's transistor. Use a ground other than ECM terminals, such as the ground.**

TER-MINAL NO.	WIRE COLOR	ITEM	CONDITION	DATA (DC Voltage)
35	Y/B	Heated oxygen sensor 1 (bank 1)	<b>[Engine is running]</b> <ul style="list-style-type: none"><li>● Warm-up condition</li><li>● Engine speed is 2,000 rpm.</li></ul>	0 - Approximately 1.0V (Periodically change)
78	B	Sensors' ground (Heated oxygen sensor)	<b>[Engine is running]</b> <ul style="list-style-type: none"><li>● Warm-up condition</li><li>● Idle speed</li></ul>	Approximately 0V

# DTC P0132, P0152 HO2S1

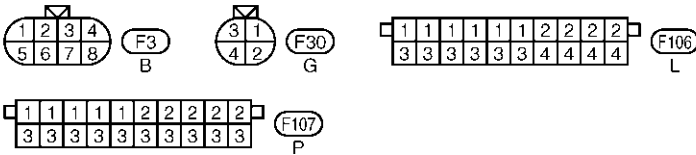
**BANK 2**

**EC-O2S1B2-01**



— : DETECTABLE LINE FOR DTC  
 — : NON-DETECTABLE LINE FOR DTC

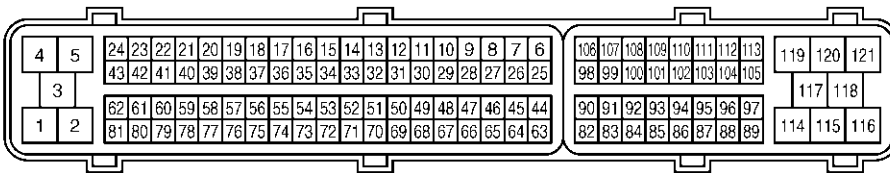
REFER TO PG-POWER.



REFER TO THE FOLLOWING.

E108 -SUPER MULTIPLE JUNCTION (SMJ)

M4 -FUSE BLOCK-JUNCTION BOX (J/B)



TBWT0204E

## DTC P0132, P0152 HO2S1

Specification data are reference values and are measured between each terminal and ground.

**CAUTION:**

**Do not use ECM ground terminals when measuring input/output voltage. Doing so may result in damage to the ECM's transistor. Use a ground other than ECM terminals, such as the ground.**

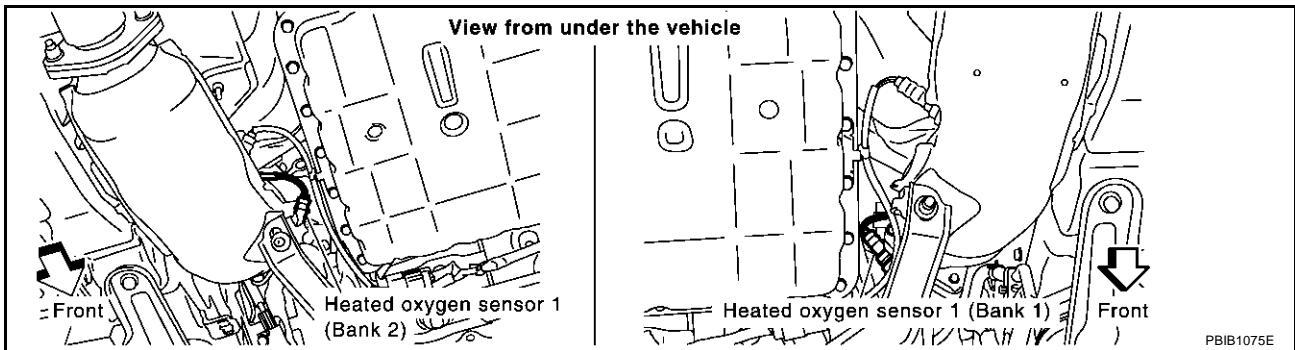
TER-MINAL NO.	WIRE COLOR	ITEM	CONDITION	DATA (DC Voltage)
16	BR	Heated oxygen sensor 1 (bank 2)	<b>[Engine is running]</b> <ul style="list-style-type: none"> <li>● Warm-up condition</li> <li>● Engine speed is 2,000 rpm.</li> </ul>	0 - Approximately 1.0V (Periodically change)
78	B	Sensors' ground (Heated oxygen sensor)	<b>[Engine is running]</b> <ul style="list-style-type: none"> <li>● Warm-up condition</li> <li>● Idle speed</li> </ul>	Approximately 0V

### Diagnostic Procedure

ABS000V1

#### 1. RETIGHTEN HEATED OXYGEN SENSOR 1

1. Turn ignition switch "OFF".
2. Loosen and retighten corresponding heated oxygen sensor 1.



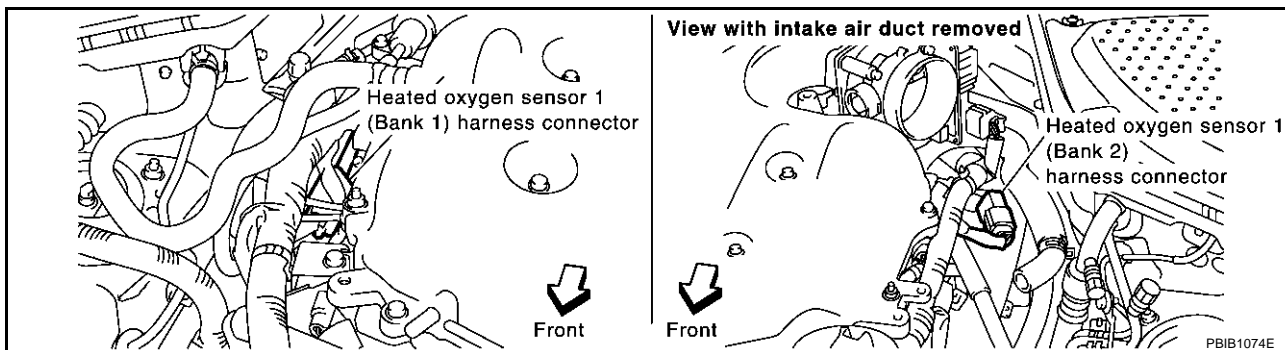
**Tightening torque: 40 - 50 N·m (4.1 - 5.1 kg·m, 30 - 37 ft·lb)**

>> GO TO 2.

## DTC P0132, P0152 HO2S1

### 2. CHECK HO2S1 GROUND CIRCUIT FOR OPEN AND SHORT

1. Disconnect heated oxygen sensor 1 harness connector.



2. Check harness continuity between HO2S1 terminal 4 and engine ground.  
Refer to Wiring Diagram.

**Continuity should exist.**

3. Also check harness for short to ground and short to power.

OK or NG

- OK >> GO TO 4.
- NG >> GO TO 3.

### 3. DETECT MALFUNCTIONING PART

Check the following.

- Joint connector-3
- Harness for open or short between HO2S1 and ECM

>> Repair open circuit or short to ground or short to power in harness or connectors.

## DTC P0132, P0152 HO2S1

### 4. CHECK HO2S1 INPUT SIGNAL CIRCUIT FOR OPEN AND SHORT

1. Disconnect ECM harness connector.
2. Check harness continuity between ECM terminal and HO2S1 terminal as follows.  
Refer to Wiring Diagram.

DTC	Terminals		Bank
	ECM	Sensor	
P0132	35	1	1
P0152	16	1	2

**Continuity should exist.**

3. Check harness continuity between the following terminals and ground.  
Refer to Wiring Diagram.

DTC	Terminals		Bank
	ECM	Sensor	
P0132	35	1	1
P0152	16	1	2

**Continuity should not exist.**

4. Also check harness for short to power.

OK or NG

OK >> GO TO 5.

NG >> Repair open circuit or short to ground or short to power in harness or connectors.

### 5. CHECK HO2S1 CONNECTOR FOR WATER

1. Turn ignition switch "OFF".
2. Disconnect heated oxygen sensor 1 harness connector.
3. Check connectors for water.

**Water should not exist.**

OK or NG

OK >> GO TO 6.

NG >> Repair or replace harness or connectors.

### 6. CHECK HEATED OXYGEN SENSOR 1

Refer to [EC-214, "Component Inspection"](#) .

OK or NG

OK >> GO TO 7.

NG >> Replace malfunctioning heated oxygen sensor 1.

### 7. CHECK INTERMITTENT INCIDENT

Refer to [EC-137, "TROUBLE DIAGNOSIS FOR INTERMITTENT INCIDENT"](#) .

>> **INSPECTION END**

## Component Inspection HEATED OXYGEN SENSOR 1

ABS000V2

 **With CONSULT-II**

1. Start engine and warm it up to normal operating temperature.

# DTC P0132, P0152 HO2S1

2. Select "MANU TRIG" and adjust "TRIGGER POINT" to 100% in "DATA MONITOR" mode with CONSULT-II.
3. Select "HO2S1 (B1)/(B2)" and "HO2S1 MNTR (B1)/(B2)".
4. Hold engine speed at 2,000 rpm under no load during the following steps.
5. Touch "RECORD" on CONSULT-II screen.

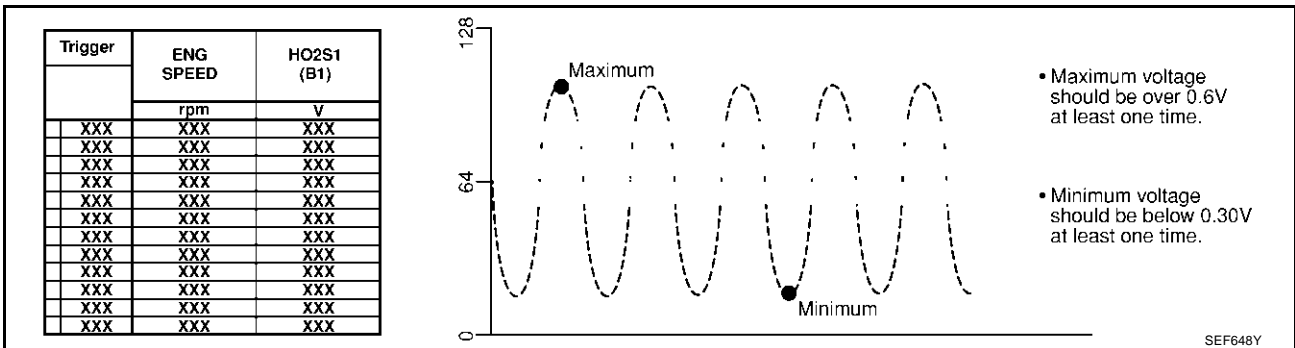
DATA MONITOR	
MONITOR	NO DTC
ENG SPEED	XXX rpm
MAS A/F SE-B1	XXX V
COOLAN TEMP/S	XXX °C
HO2S1 (B1)	XXX V
HO2S1 MNTR (B1)	LEAN

SEF646Y

6. Check the following.
  - "HO2S1 MNTR (B1)/(B2)" in "DATA MONITOR" mode changes from "RICH" to "LEAN" to "RICH" more than 5 times in 10 seconds.  
5 times (cycles) are counted as shown at right.
  - "HO2S1 (B1)/(B2)" voltage goes above 0.6V at least once.
  - "HO2S1 (B1)/(B2)" voltage goes below 0.3V at least once.
  - "HO2S1 (B1)/(B2)" voltage never exceeds 1.0V.

Bank 1	cycle	1	2	3	4	5
	HO2S1 MNTR (B1)	R-L-R-L-R-L-R-L-R-L-R				
Bank 2	cycle	1	2	3	4	5
	HO2S1 MNTR (B2)	R-L-R-L-R-L-R-L-R-L-R				
R means HO2S1 MNTR (B1)/(B2) indicates RICH						
L means HO2S1 MNTR (B1)/(B2) indicates LEAN						

SEF647Y



### CAUTION:

- Discard any heated oxygen sensor which has been dropped from a height of more than 0.5 m (19.7 in) onto a hard surface such as a concrete floor; use a new one.
- Before installing new oxygen sensor, clean exhaust system threads using Oxygen Sensor Thread Cleaner tool J-43897-18 or J-43897-12 and approved anti-seize lubricant.

## DTC P0132, P0152 HO2S1

### ⊗ Without CONSULT-II

1. Start engine and warm it up to normal operating temperature.
2. Set voltmeter probes between ECM terminal 35 [HO2S1 (B1) signal] or 16 [HO2S1 (B2) signal] and engine ground.
3. Check the following with engine speed held at 2,000 rpm constant under no load.

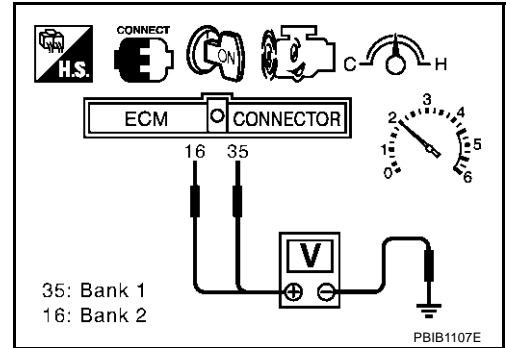
- The voltage fluctuates between 0 to 0.3V and 0.6 to 1.0V more than 5 times within 10 seconds.
- The maximum voltage is over 0.6V at least one time.
- The minimum voltage is below 0.3V at least one time.
- The voltage never exceeds 1.0V.

1 time: 0 - 0.3V → 0.6 - 1.0V → 0 - 0.3V

2 times: 0 - 0.3V → 0.6 - 1.0V → 0 - 0.3V → 0.6 - 1.0V

#### CAUTION:

- Discard any heated oxygen sensor which has been dropped from a height of more than 0.5 m (19.7 in) onto a hard surface such as a concrete floor; use a new one.
- Before installing new oxygen sensor, clean exhaust system threads using Oxygen Sensor Thread Cleaner tool J-43897-18 or J-43897-12 and approved anti-seize lubricant.



### Removal and Installation HEATED OXYGEN SENSOR 1

ABS000V3

Refer to [EM-23, "EXHAUST MANIFOLD AND THREE WAY CATALYST"](#) .



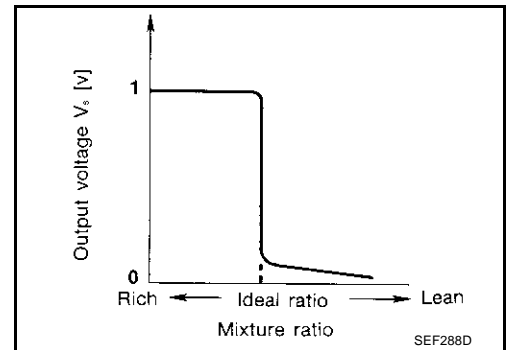
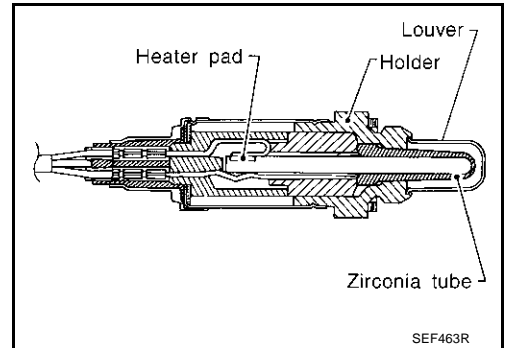
**DTC P0133, P0153 HO2S1**

PFP:22690

**Component Description**

ABS000V4

The heated oxygen sensor 1 is placed into the exhaust manifold. It detects the amount of oxygen in the exhaust gas compared to the outside air. The heated oxygen sensor 1 has a closed-end tube made of ceramic zirconia. The zirconia generates voltage from approximately 1V in richer conditions to 0V in leaner conditions. The heated oxygen sensor 1 signal is sent to the ECM. The ECM adjusts the injection pulse duration to achieve the ideal air-fuel ratio. The ideal air-fuel ratio occurs near the radical change from 1 to 0V.



**CONSULT-II Reference Value in Data Monitor Mode**

ABS000V5

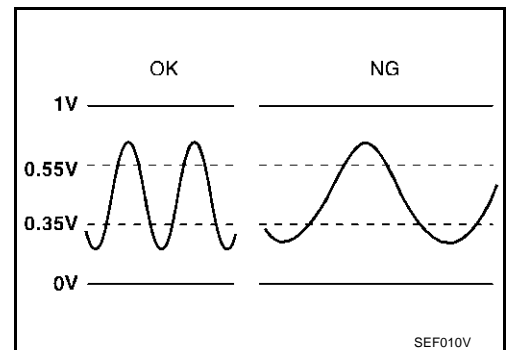
Specification data are reference values.

MONITOR ITEM	CONDITION		SPECIFICATION
HO2S1 (B1) HO2S1 (B2)	● Engine: After warming up	Maintaining engine speed at 2,000 rpm	0 - 0.3V ↔ Approx. 0.6 - 1.0V
HO2S1 MNTR (B1) HO2S1 MNTR (B2)	● Engine: After warming up	Maintaining engine speed at 2,000 rpm	LEAN ↔ RICH Changes more than 5 times during 10 seconds.

**On Board Diagnosis Logic**

ABS000V6

To judge the malfunction of heated oxygen sensor 1, this diagnosis measures response time of heated oxygen sensor 1 signal. The time is compensated by engine operating (speed and load), fuel feedback control constant, and heated oxygen sensor 1 temperature index. Judgment is based on whether the compensated time (heated oxygen sensor 1 cycling time index) is inordinately long or not.



# DTC P0133, P0153 HO2S1

DTC No.	Trouble diagnosis name	DTC detecting condition	Possible cause
P0133 0133 (Bank 1)	Heated oxygen sensor 1 circuit slow response	The response of the voltage signal from the sensor takes more than the specified time.	<ul style="list-style-type: none"> <li>● Harness or connectors (The sensor circuit is open or shorted)</li> <li>● Heated oxygen sensor 1</li> <li>● Heated oxygen sensor 1 heater</li> <li>● Fuel pressure</li> <li>● Injectors</li> <li>● Intake air leaks</li> <li>● Exhaust gas leaks</li> <li>● PCV valve</li> <li>● Mass air flow sensor</li> </ul>
P0153 0153 (Bank 2)			

## DTC Confirmation Procedure

ABS000V7

### CAUTION:

**Always drive vehicle at a safe speed.**

### NOTE:

If "DTC Confirmation Procedure" has been previously conducted, always turn ignition switch "OFF" and wait at least 10 seconds before conducting the next test.

### TESTING CONDITION:

- Always perform at a temperature above  $-10^{\circ}\text{C}$  ( $14^{\circ}\text{F}$ ).
- Before performing the following procedure, confirm that battery voltage is more than 11V at idle.

### WITH CONSULT-II

1. Start engine and warm it up to normal operating temperature.
2. Stop engine and wait at least 10 seconds.
3. Turn ignition switch "ON" and select "HO2S1 (B1) P0133" or "HO2S1 (B2) P0153" of "HO2S1" in "DTC WORK SUPPORT" mode with CONSULT-II.
4. Touch "START".
5. Start engine and let it idle for at least 3 minutes.

### NOTE:

**Never raise engine speed above 3,600 rpm after this step. If the engine speed limit is exceeded, return to step 5.**

HO2S1 (B1) P0133	
OUT OF CONDITION	
MONITOR	
ENG SPEED	XXX rpm
B/FUEL SCHDL	XXX msec
COOLANT TEMP/S	XXX °C
VHCL SPEED SEN	XXX km/h

SEF338Z

6. When the following conditions are met, "TESTING" will be displayed on the CONSULT-II screen. Maintain the conditions continuously until "TESTING" changes to "COMPLETED". (It will take approximately 20 to 50 seconds.)

ENG SPEED	1,200 - 3,100 rpm
Vehicle speed	More than 80 km/h (50 MPH)
B/FUEL SCHDL	2.5 - 12.0 msec
Selector lever	Suitable position

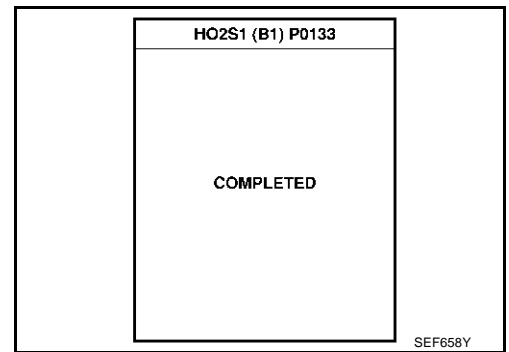
HO2S1 (B1) P0133	
TESTING	
MONITOR	
ENG SPEED	XXX rpm
B/FUEL SCHDL	XXX msec
COOLANT TEMP/S	XXX °C
VHCL SPEED SEN	XXX km/h

SEF339Z

**If "TESTING" is not displayed after 5 minutes, retry from step 2.**

## DTC P0133, P0153 HO2S1

7. Make sure that "OK" is displayed after touching "SELF-DIAG RESULTS". If "NG" is displayed, refer to [EC-223, "Diagnostic Procedure"](#).



### Overall Function Check

Use this procedure to check the overall function of the heated oxygen sensor 1 circuit. During this check, a DTC might not be confirmed.

#### WITH GST

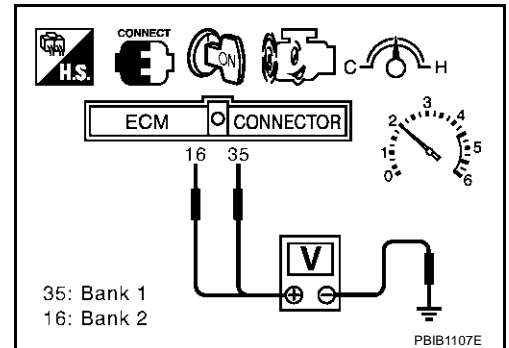
1. Start engine and warm it up to normal operating temperature.
2. Set voltmeter probes between ECM terminal 35 [HO2S1(B1) signal] or 16 [HO2S1(B2) signal] and engine ground.
3. Check the following with engine speed held at 2,000 rpm constant under no load.
  - The voltage fluctuates between 0 to 0.3V and 0.6 to 1.0V more than 5 times within 10 seconds.

**1 time: 0 - 0.3V → 0.6 - 1.0V → 0 - 0.3V**

**2 0 - 0.3V → 0.6 - 1.0V → 0 - 0.3V → 0.6 - 1.0V**

**times: → 0 - 0.3V**

4. If NG, go to [EC-223, "Diagnostic Procedure"](#).

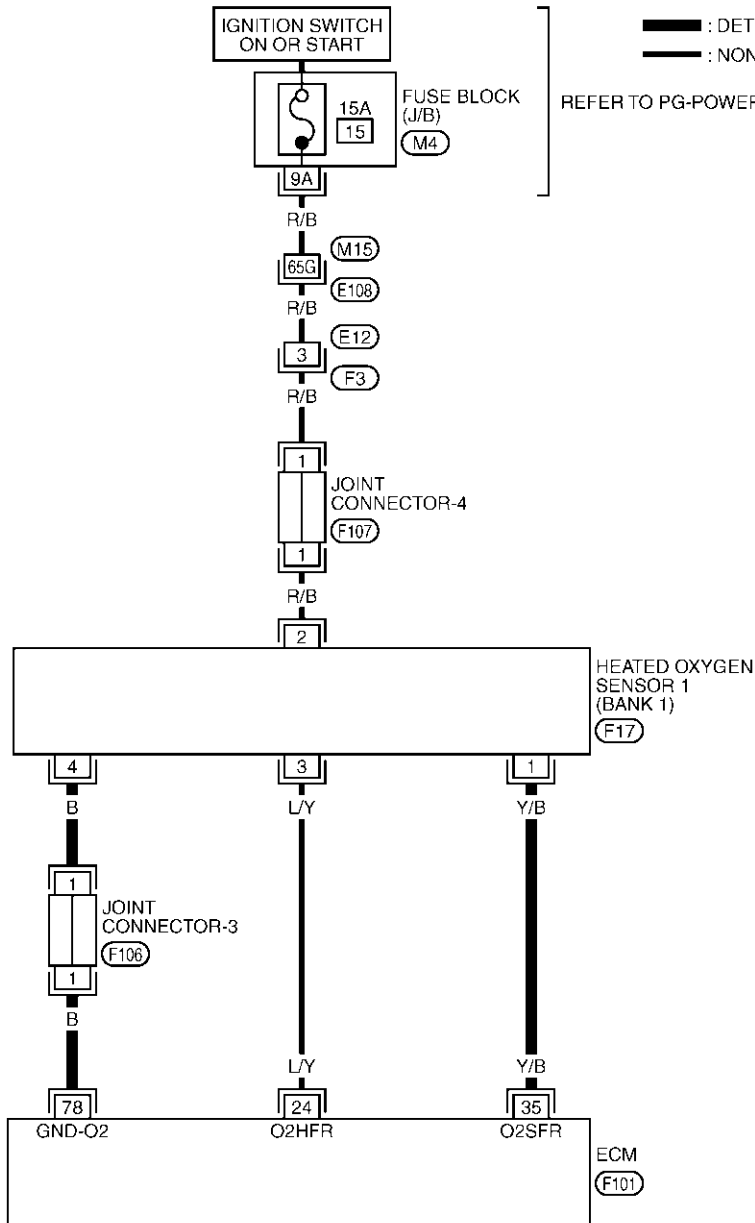


# DTC P0133, P0153 HO2S1

ABS002ZO

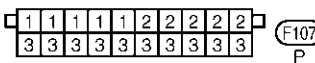
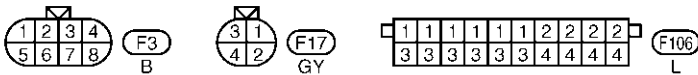
## Wiring Diagram BANK 1

### EC-O2S1B1-01



— : DETECTABLE LINE FOR DTC  
 — : NON-DETECTABLE LINE FOR DTC

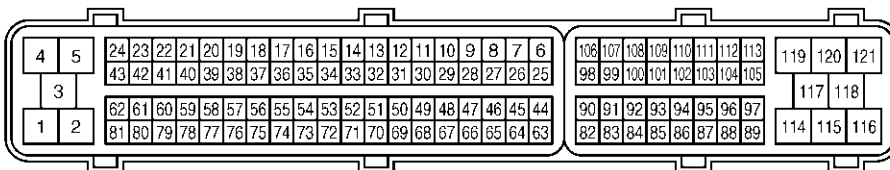
REFER TO PG-POWER.



REFER TO THE FOLLOWING.

(E108) -SUPER MULTIPLE JUNCTION (SMJ)

(M4) -FUSE BLOCK-JUNCTION BOX (J/B)



TBWT0203E

## DTC P0133, P0153 HO2S1

Specification data are reference values and are measured between each terminal and ground.

**CAUTION:**

**Do not use ECM ground terminals when measuring input/output voltage. Doing so may result in damage to the ECM's transistor. Use a ground other than ECM terminals, such as the ground.**

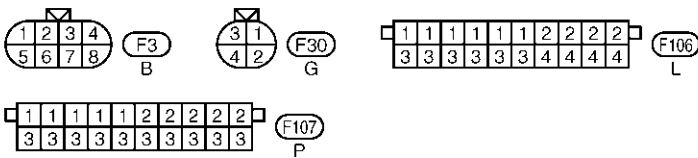
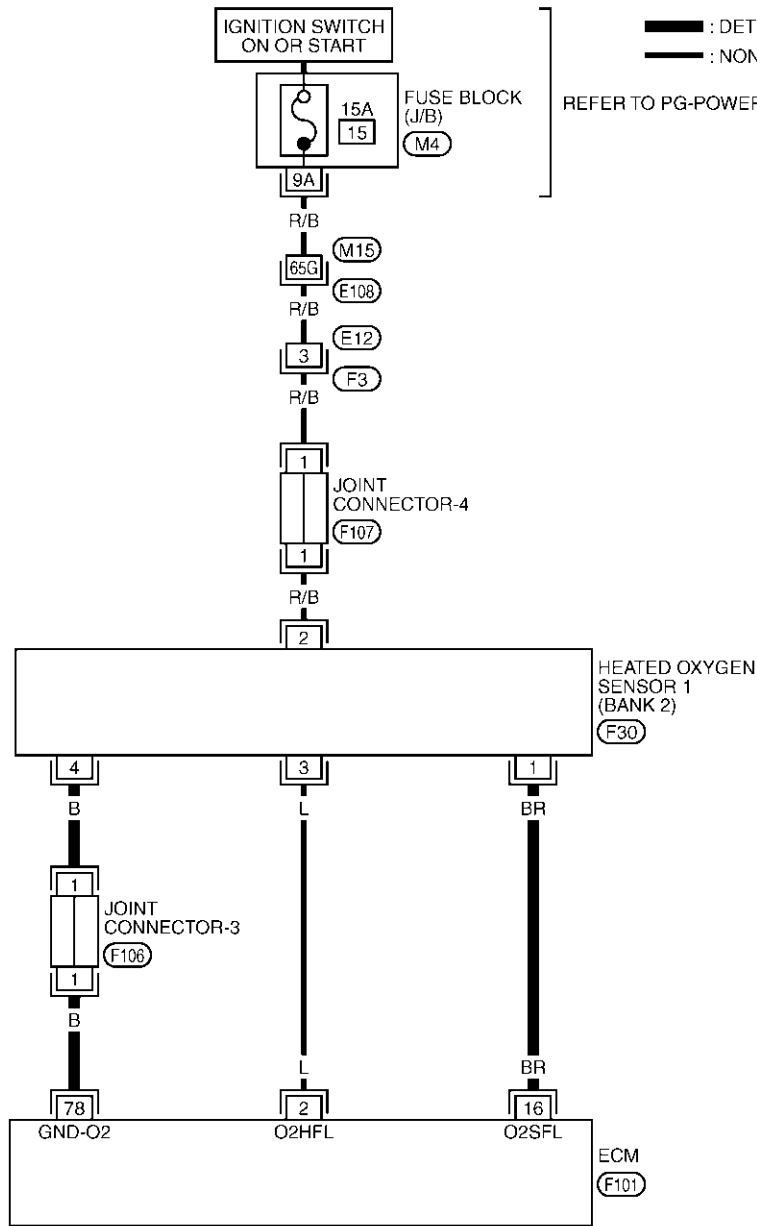
TER-MINAL NO.	WIRE COLOR	ITEM	CONDITION	DATA (DC Voltage)
35	Y/B	Heated oxygen sensor 1 (bank 1)	<b>[Engine is running]</b> <ul style="list-style-type: none"> <li>● Warm-up condition</li> <li>● Engine speed is 2,000 rpm.</li> </ul>	0 - Approximately 1.0V (Periodically change)
78	B	Sensors' ground (Heated oxygen sensor)	<b>[Engine is running]</b> <ul style="list-style-type: none"> <li>● Warm-up condition</li> <li>● Idle speed</li> </ul>	Approximately 0V

A  
EC  
C  
D  
E  
F  
G  
H  
I  
J  
K  
L  
M

# DTC P0133, P0153 HO2S1

**BANK 2**

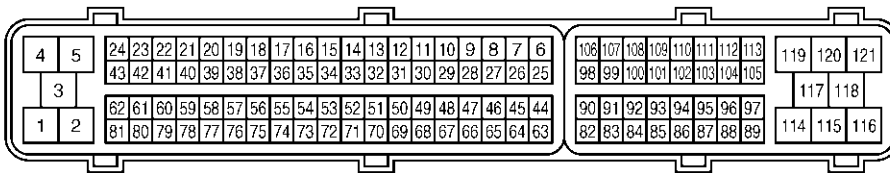
**EC-O2S1B2-01**



REFER TO THE FOLLOWING.

(E108) -SUPER MULTIPLE JUNCTION (SMJ)

(M4) -FUSE BLOCK-JUNCTION BOX (J/B)



TBWT0204E

# DTC P0133, P0153 HO2S1

Specification data are reference values and are measured between each terminal and ground.

**CAUTION:**

Do not use ECM ground terminals when measuring input/output voltage. Doing so may result in damage to the ECM's transistor. Use a ground other than ECM terminals, such as the ground.

TER-MINAL NO.	WIRE COLOR	ITEM	CONDITION	DATA (DC Voltage)
16	BR	Heated oxygen sensor 1 (bank 2)	[Engine is running] <ul style="list-style-type: none"> <li>● Warm-up condition</li> <li>● Engine speed is 2,000 rpm.</li> </ul>	0 - Approximately 1.0V (Periodically change)
78	B	Sensors' ground (Heated oxygen sensor)	[Engine is running] <ul style="list-style-type: none"> <li>● Warm-up condition</li> <li>● Idle speed</li> </ul>	Approximately 0V

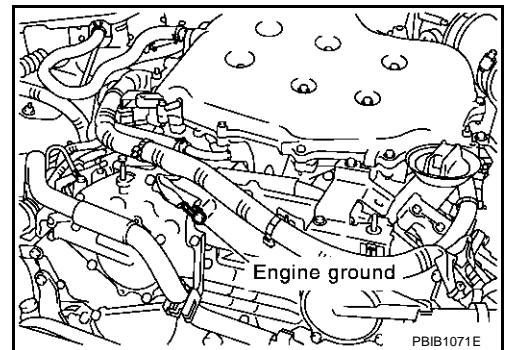
## Diagnostic Procedure

ABS000VA

### 1. RETIGHTEN GROUND SCREWS

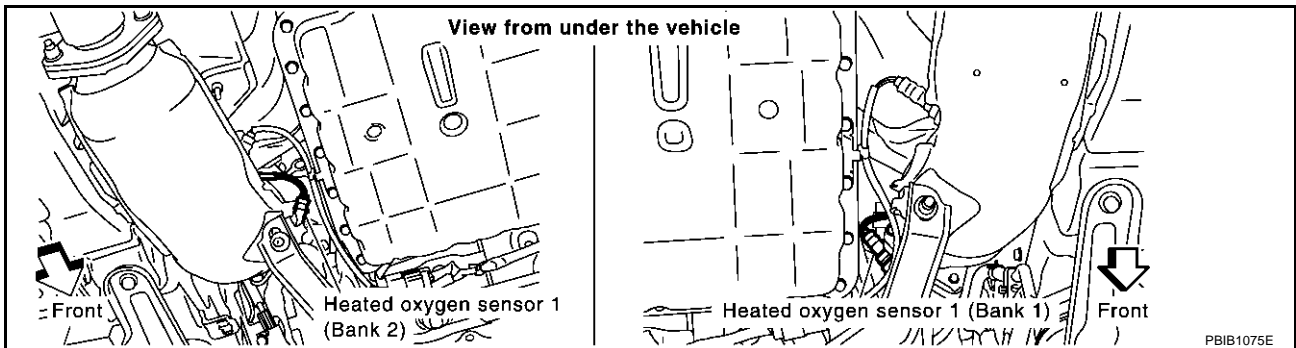
1. Turn ignition switch "OFF".
2. Loosen and retighten engine ground screws.

>> GO TO 2.



### 2. RETIGHTEN HEATED OXYGEN SENSOR 1

Loosen and retighten heated oxygen sensor 1.



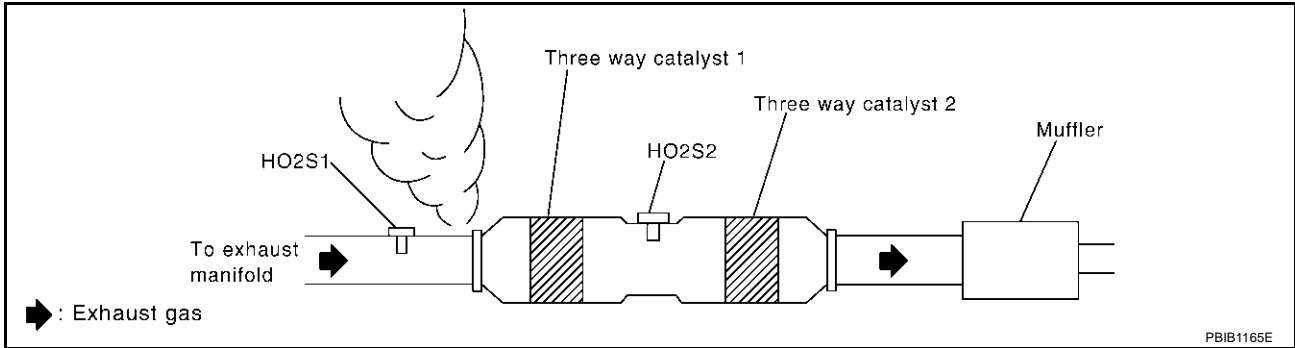
**Tightening torque: 40 - 50 N·m (4.1 - 5.1 kg·m, 30 - 37 ft·lb)**

>> GO TO 3.

## DTC P0133, P0153 HO2S1

### 3. CHECK FOR EXHAUST AIR LEAK

1. Start engine and run it at idle.
2. Listen for an exhaust air leak before three way catalyst 1.



OK or NG

- OK >> GO TO 4.
- NG >> Repair or replace.

### 4. CHECK FOR INTAKE AIR LEAK

Listen for an intake air leak after the mass air flow sensor.

OK or NG

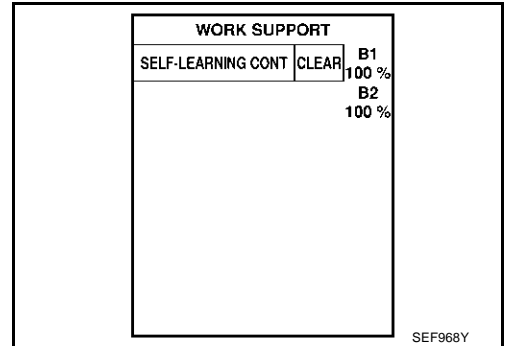
- OK >> GO TO 5.
- NG >> Repair or replace.



**5. CLEAR THE SELF-LEARNING DATA**

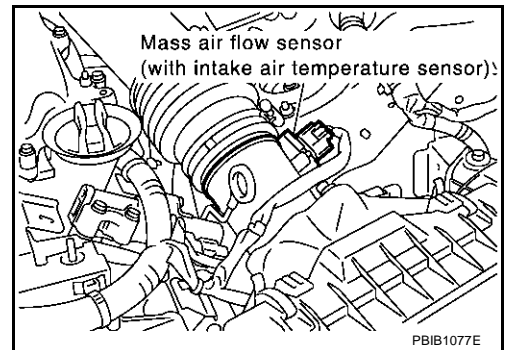
**With CONSULT-II**

1. Start engine and warm it up to normal operating temperature.
2. Select "SELF-LEARNING CONT" in "WORK SUPPORT" mode with CONSULT-II.
3. Clear the self-learning control coefficient by touching "CLEAR".
4. Run engine for at least 10 minutes at idle speed.  
**Is the 1st trip DTC P0171, P0172, P0174 or P0175 detected?  
 Is it difficult to start engine?**



**Without CONSULT-II**

1. Start engine and warm it up to normal operating temperature.
2. Turn ignition switch "OFF".
3. Disconnect mass air flow sensor harness connector, and restart and run engine for at least 5 seconds at idle speed.
4. Stop engine and reconnect mass air flow sensor harness connector.
5. Make sure DTC P0102 is displayed.
6. Erase the DTC memory. Refer to [EC-69, "HOW TO ERASE EMISSION-RELATED DIAGNOSTIC INFORMATION"](#).
7. Make sure DTC P0000 is displayed.
8. Run engine for at least 10 minutes at idle speed.  
**Is the 1st trip DTC P0171, P0172, P0174 or P0175 detected?  
 Is it difficult to start engine?**

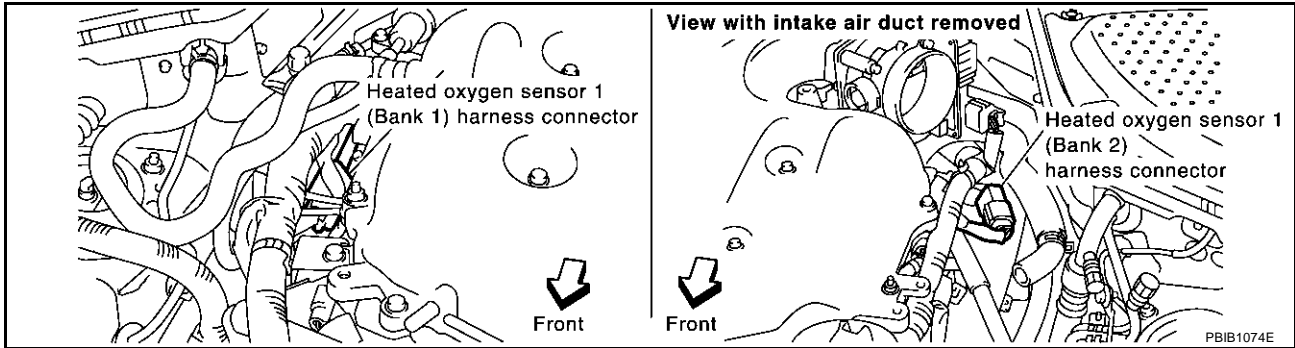


**Yes or No**

- Yes >> Perform trouble diagnosis for DTC P0171, P0174 or DTC P0172, P0175 (Refer to [EC-260](#) or [EC-269](#)).
- No >> GO TO 6.

## 6. CHECK HO2S1 GROUND CIRCUIT FOR OPEN AND SHORT

1. Turn ignition switch "OFF".
2. Disconnect heated oxygen sensor 1 harness connector.



3. Check harness continuity between HO2S1 terminal 4 and engine ground.  
Refer to Wiring Diagram.

**Continuity should exist.**

4. Also check harness for short to power.

OK or NG

- OK >> GO TO 8.
- NG >> GO TO 7.

## 7. DETECT MALFUNCTIONING PART

Check the following.

- Joint connector-3
- Harness for open or short between HO2S1 and ECM

>> Repair open circuit or short to ground or short to power in harness or connectors.

## DTC P0133, P0153 HO2S1

### 8. CHECK HO2S1 INPUT SIGNAL CIRCUIT FOR OPEN AND SHORT

1. Disconnect ECM harness connector.
2. Check harness continuity between ECM terminal and HO2S1 terminal as follows.  
Refer to Wiring Diagram.

DTC	Terminals		Bank
	ECM	Sensor	
P0133	35	1	1
P0153	16	1	2

**Continuity should exist.**

3. Check harness continuity between the following terminals and ground.  
Refer to Wiring Diagram.

DTC	Terminals		Bank
	ECM	Sensor	
P0133	35	1	1
P0153	16	1	2

**Continuity should not exist.**

4. Also check harness for short to power.

OK or NG

OK >> GO TO 9.

NG >> Repair open circuit or short to ground or short to power in harness or connectors.

### 9. CHECK HEATED OXYGEN SENSOR 1 HEATER

Refer to [EC-158, "Component Inspection"](#) .

OK or NG

OK >> GO TO 10.

NG >> Replace malfunctioning heated oxygen sensor 1.

### 10. CHECK MASS AIR FLOW SENSOR

Refer to [EC-181, "Component Inspection"](#) .

OK or NG

OK >> GO TO 11.

NG >> Replace mass air flow sensor.

### 11. CHECK PCV VALVE

Refer to [EC-645, "Component Inspection"](#) .

OK or NG

OK >> GO TO 12.

NG >> Replace PCV valve.

### 12. CHECK HEATED OXYGEN SENSOR 1

Refer to [EC-228, "Component Inspection"](#) .

OK or NG

OK >> GO TO 13.

NG >> Replace malfunctioning heated oxygen sensor 1.

## 13. CHECK INTERMITTENT INCIDENT

Refer to [EC-137, "TROUBLE DIAGNOSIS FOR INTERMITTENT INCIDENT"](#) .

>> INSPECTION END

### Component Inspection HEATED OXYGEN SENSOR 1

ABS000VB

**Ⓟ With CONSULT-II**

1. Start engine and warm it up to normal operating temperature.
2. Select "MANU TRIG" and adjust "TRIGGER POINT" to 100% in "DATA MONITOR" mode with CONSULT-II.
3. Select "HO2S1 (B1)/(B2)" and "HO2S1 MNTR (B1)/(B2)".
4. Hold engine speed at 2,000 rpm under no load during the following steps.
5. Touch "RECORD" on CONSULT-II screen.

DATA MONITOR	
MONITOR	NO DTC
ENG SPEED	XXX rpm
MAS A/F SE-B1	XXX V
COOLANTEMP/S	XXX °C
HO2S1 (B1)	XXX V
HO2S1 MNTR (B1)	LEAN

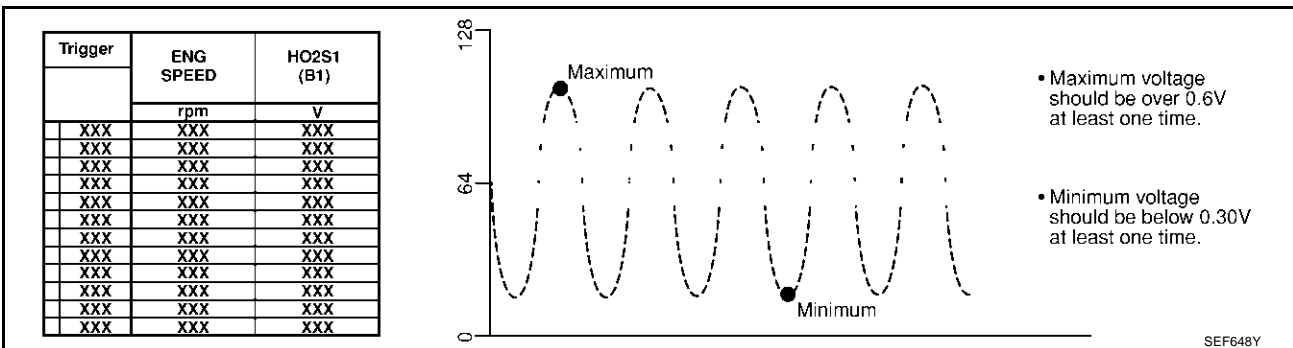
SEF646Y

6. Check the following.
  - "HO2S1 MNTR (B1)/(B2)" in "DATA MONITOR" mode changes from "RICH" to "LEAN" to "RICH" more than 5 times in 10 seconds.  
5 times (cycles) are counted as shown at right.
  - "HO2S1 (B1)/(B2)" voltage goes above 0.6V at least once.
  - "HO2S1 (B1)/(B2)" voltage goes below 0.3V at least once.
  - "HO2S1 (B1)/(B2)" voltage never exceeds 1.0V.

Bank 1	cycle	1	2	3	4	5	
	HO2S1 MNTR (B1)	R-L-R-L-R-L-R-L-R-L-R					
Bank 2	cycle	1	2	3	4	5	
	HO2S1 MNTR (B2)	R-L-R-L-R-L-R-L-R-L-R					

R means HO2S1  
MNTR (B1)/(B2) indicates RICH  
L means HO2S1  
MNTR (B1)/(B2) indicates LEAN

SEF647Y



**CAUTION:**

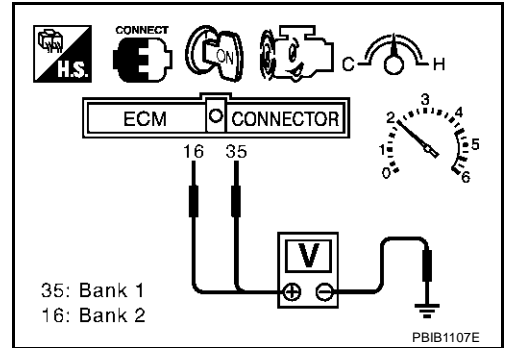
- Discard any heated oxygen sensor which has been dropped from a height of more than 0.5 m (19.7 in) onto a hard surface such as a concrete floor; use a new one.
- Before installing new oxygen sensor, clean exhaust system threads using Oxygen Sensor Thread Cleaner tool J-43897-18 or J-43897-12 and approved anti-seize lubricant.

## DTC P0133, P0153 HO2S1

### ⊗ Without CONSULT-II

1. Start engine and warm it up to normal operating temperature.
2. Set voltmeter probes between ECM terminal 35 [HO2S1 (B1) signal] or 16 [HO2S1 (B2) signal] and engine ground.
3. Check the following with engine speed held at 2,000 rpm constant under no load.
  - The voltage fluctuates between 0 to 0.3V and 0.6 to 1.0V more than 5 times within 10 seconds.
  - The maximum voltage is over 0.6V at least one time.
  - The minimum voltage is below 0.3V at least one time.
  - The voltage never exceeds 1.0V.

1 time: 0 - 0.3V → 0.6 - 1.0V → 0 - 0.3V  
2 times: 0 - 0.3V → 0.6 - 1.0V → 0 - 0.3V → 0.6 - 1.0V



### CAUTION:

- Discard any heated oxygen sensor which has been dropped from a height of more than 0.5 m (19.7 in) onto a hard surface such as a concrete floor; use a new one.
- Before installing new oxygen sensor, clean exhaust system threads using Oxygen Sensor Thread Cleaner tool J-43897-18 or J-43897-12 and approved anti-seize lubricant.

### Removal and Installation HEATED OXYGEN SENSOR 1

ABS000VC

Refer to [EM-23, "EXHAUST MANIFOLD AND THREE WAY CATALYST"](#).

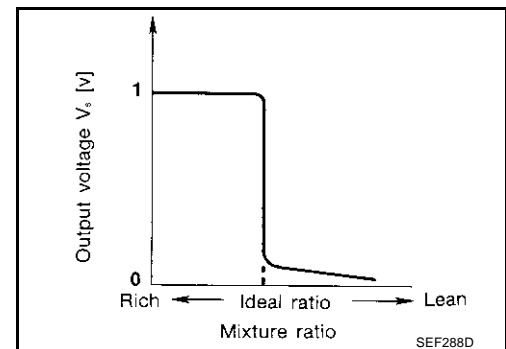
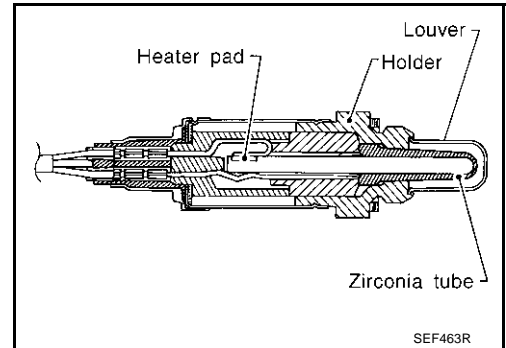
## DTC P0134, P0154 HO2S1

PFP:22690

### Component Description

ABS000VD

The heated oxygen sensor 1 is placed into the exhaust manifold. It detects the amount of oxygen in the exhaust gas compared to the outside air. The heated oxygen sensor 1 has a closed-end tube made of ceramic zirconia. The zirconia generates voltage from approximately 1V in richer conditions to 0V in leaner conditions. The heated oxygen sensor 1 signal is sent to the ECM. The ECM adjusts the injection pulse duration to achieve the ideal air-fuel ratio. The ideal air-fuel ratio occurs near the radical change from 1 to 0V.



### CONSULT-II Reference Value in Data Monitor Mode

ABS000VE

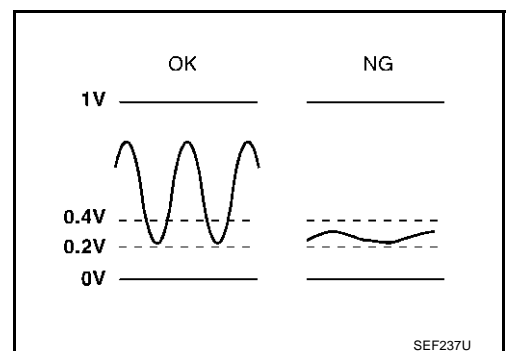
Specification data are reference values.

MONITOR ITEM	CONDITION		SPECIFICATION
HO2S1 (B1) HO2S1 (B2)	● Engine: After warming up	Maintaining engine speed at 2,000 rpm	0 - 0.3V ↔ Approx. 0.6 - 1.0V
HO2S1 MNTR (B1) HO2S1 MNTR (B2)	● Engine: After warming up	Maintaining engine speed at 2,000 rpm	LEAN ↔ RICH Changes more than 5 times during 10 seconds.

### On Board Diagnosis Logic

ABS000VF

Under the condition in which the heated oxygen sensor 1 signal is not input, the ECM circuits will read a continuous approximately 0.3V. Therefore, for this diagnosis, the time that output voltage is within 200 to 400 mV range is monitored, and the diagnosis checks that this time is not inordinately long.



DTC No.	Trouble diagnosis name	DTC detecting condition	Possible cause
P0134 0134 (Bank 1)	Heated oxygen sensor 1 circuit no activity detected	The voltage from the sensor is constantly approx. 0.3V.	<ul style="list-style-type: none"> <li>● Harness or connectors (The sensor circuit is open or shorted)</li> <li>● Heated oxygen sensor 1</li> </ul>
P0154 0154 (Bank 2)			

## DTC Confirmation Procedure

**CAUTION:**

Always drive vehicle at a safe speed.

**NOTE:**

If "DTC Confirmation Procedure" has been previously conducted, always turn ignition switch "OFF" and wait at least 10 seconds before conducting the next test.

**TESTING CONDITION:**

Before performing the following procedure, confirm that battery voltage is more than 11V at idle.

**WITH CONSULT-II**

1. Start engine and warm it up to normal operating temperature.
2. Select "HO2S1 (B1) P0134" or "HO2S1 (B2) P0154" of "HO2S1" in "DTC WORK SUPPORT" mode with CONSULT-II.
3. Touch "START".
4. Let it idle for at least 3 minutes.

**NOTE:**

Never raise engine speed above 3,600 rpm after this step. If the engine speed limit is exceeded, return to step 4.

HO2S1 (B1) P0134	
OUT OF CONDITION	
MONITOR	
ENG SPEED	XXX rpm
B/FUEL SCHDL	XXX msec
COOLAN TEMP/S	XXX °C
VHCL SPEED SEN	XXX km/h

PBIB0544E

5. When the following conditions are met, "TESTING" will be displayed on the CONSULT-II screen. Maintain the conditions continuously until "TESTING" changes to "COMPLETED". (It will take approximately 10 to 60 seconds.)

ENG SPEED	1,400 - 2,600 rpm
Vehicle speed	More than 64 km/h (40 MPH)
B/FUEL SCHDL	2.0 - 12.0 msec
Selector lever	Suitable position

HO2S1 (B1) P0134	
TESTING	
MONITOR	
ENG SPEED	XXX rpm
B/FUEL SCHDL	XXX msec
COOLAN TEMP/S	XXX °C
VHCL SPEED SEN	XXX km/h

PBIB0545E

**If "TESTING" is not displayed after 5 minutes, retry from step 2.**

6. Make sure that "OK" is displayed after touching "SELF-DIAG RESULTS". If "NG" is displayed, refer to [EC-236, "Diagnostic Procedure"](#).

HO2S1 (B1) P0134	
COMPLETED	

SEC750C

# DTC P0134, P0154 HO2S1

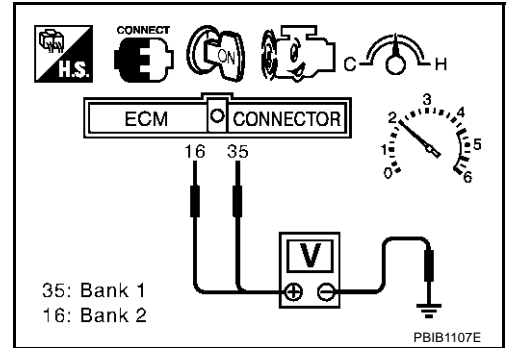
## Overall Function Check

ABS000VH

Use this procedure to check the overall function of the heated oxygen sensor 1 circuit. During this check, a DTC might not be confirmed.

### WITH GST

1. Start engine and warm it up to normal operating temperature.
2. Set voltmeter probes between ECM terminal 35 [HO2S1 (B1) signal] or 16 [HO2S1 (B2) signal] and engine ground.
3. Check the following with engine speed held at 2,000 rpm constant under no load.
  - The voltage does not remain in the range of 0.2 to 0.4V.
4. If NG, go to [EC-236, "Diagnostic Procedure"](#).



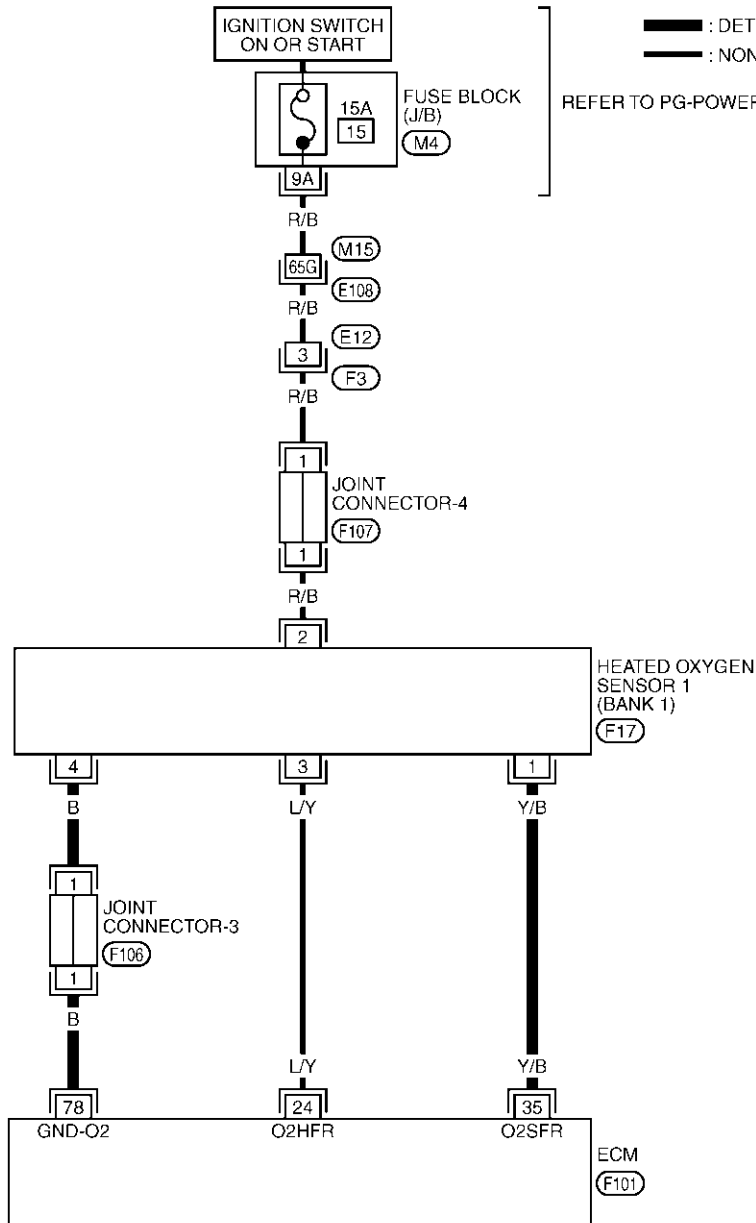


# DTC P0134, P0154 HO2S1

ABS002ZP

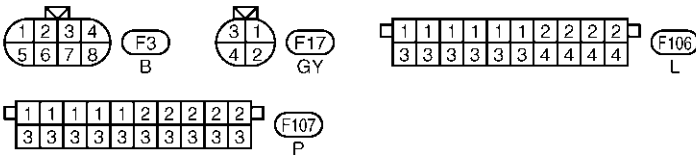
## Wiring Diagram BANK 1

### EC-O2S1B1-01



— : DETECTABLE LINE FOR DTC  
 - - - : NON-DETECTABLE LINE FOR DTC

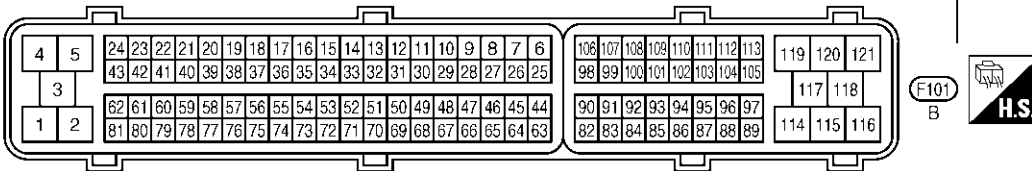
REFER TO PG-POWER.



REFER TO THE FOLLOWING.

(E108) -SUPER MULTIPLE JUNCTION (SMJ)

(M4) -FUSE BLOCK-JUNCTION BOX (J/B)



TBWT0203E

## DTC P0134, P0154 HO2S1

Specification data are reference values and are measured between each terminal and ground.

**CAUTION:**

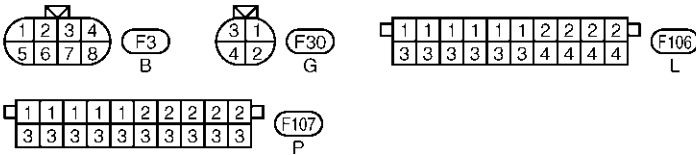
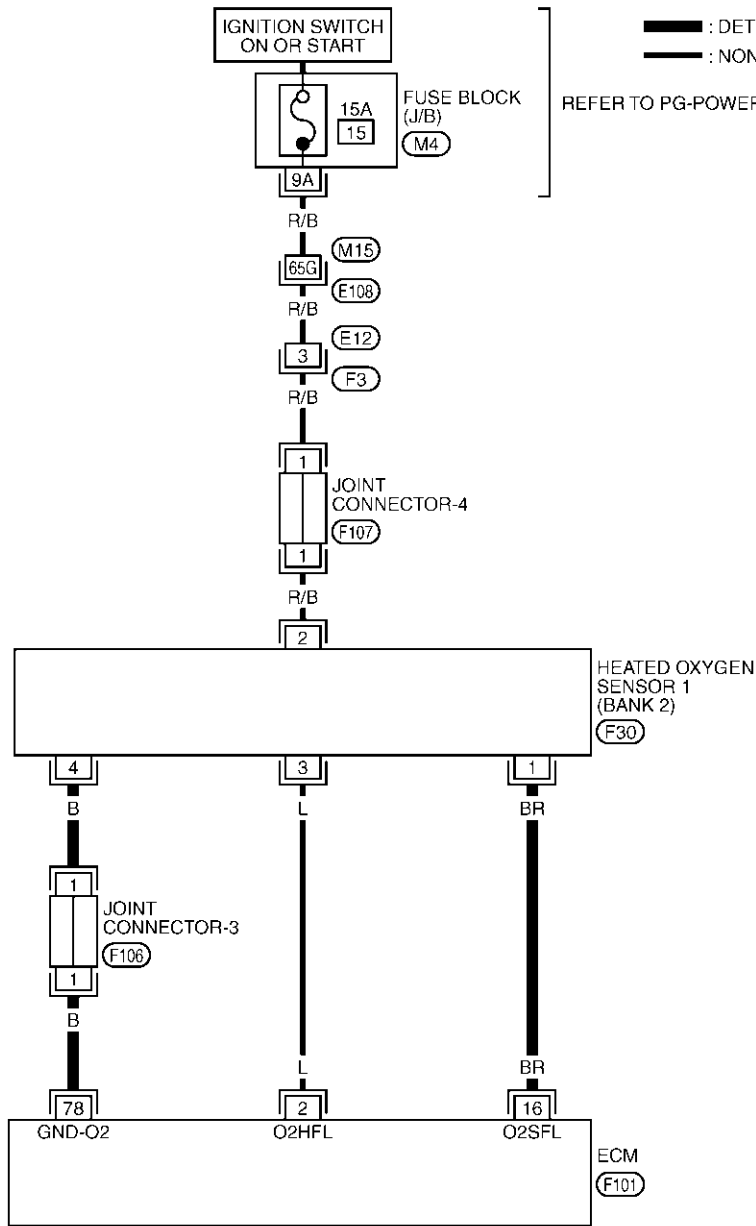
**Do not use ECM ground terminals when measuring input/output voltage. Doing so may result in damage to the ECM's transistor. Use a ground other than ECM terminals, such as the ground.**

TER-MINAL NO.	WIRE COLOR	ITEM	CONDITION	DATA (DC Voltage)
35	Y/B	Heated oxygen sensor 1 (bank 1)	<b>[Engine is running]</b> <ul style="list-style-type: none"><li>● Warm-up condition</li><li>● Engine speed is 2,000 rpm.</li></ul>	0 - Approximately 1.0V (Periodically change)
78	B	Sensors' ground (Heated oxygen sensor)	<b>[Engine is running]</b> <ul style="list-style-type: none"><li>● Warm-up condition</li><li>● Idle speed</li></ul>	Approximately 0V

# DTC P0134, P0154 HO2S1

**BANK 2**

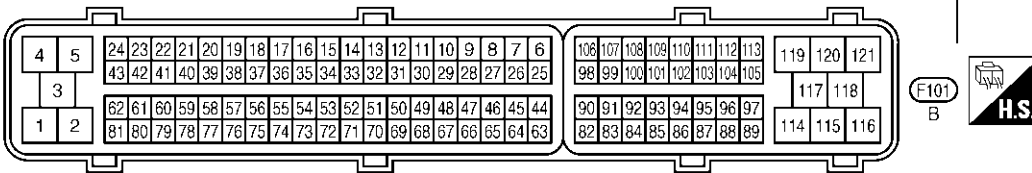
**EC-O2S1B2-01**



REFER TO THE FOLLOWING.

(E108) -SUPER MULTIPLE JUNCTION (SMJ)

(M4) -FUSE BLOCK-JUNCTION BOX (J/B)



TBWT0204E

# DTC P0134, P0154 HO2S1

Specification data are reference values and are measured between each terminal and ground.

## CAUTION:

Do not use ECM ground terminals when measuring input/output voltage. Doing so may result in damage to the ECM's transistor. Use a ground other than ECM terminals, such as the ground.

TER-MINAL NO.	WIRE COLOR	ITEM	CONDITION	DATA (DC Voltage)
16	BR	Heated oxygen sensor 1 (bank 2)	[Engine is running] <ul style="list-style-type: none"><li>● Warm-up condition</li><li>● Engine speed is 2,000 rpm.</li></ul>	0 - Approximately 1.0V (Periodically change)
78	B	Sensors' ground (Heated oxygen sensor)	[Engine is running] <ul style="list-style-type: none"><li>● Warm-up condition</li><li>● Idle speed</li></ul>	Approximately 0V

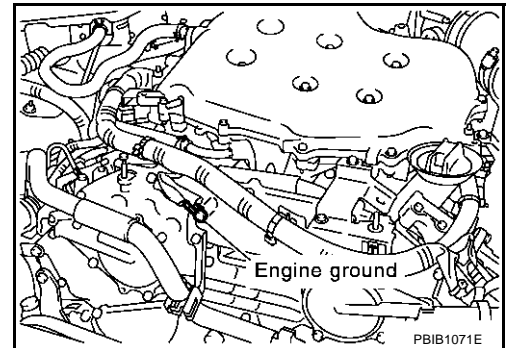
## Diagnostic Procedure

ABS000VJ

### 1. INSPECTION START

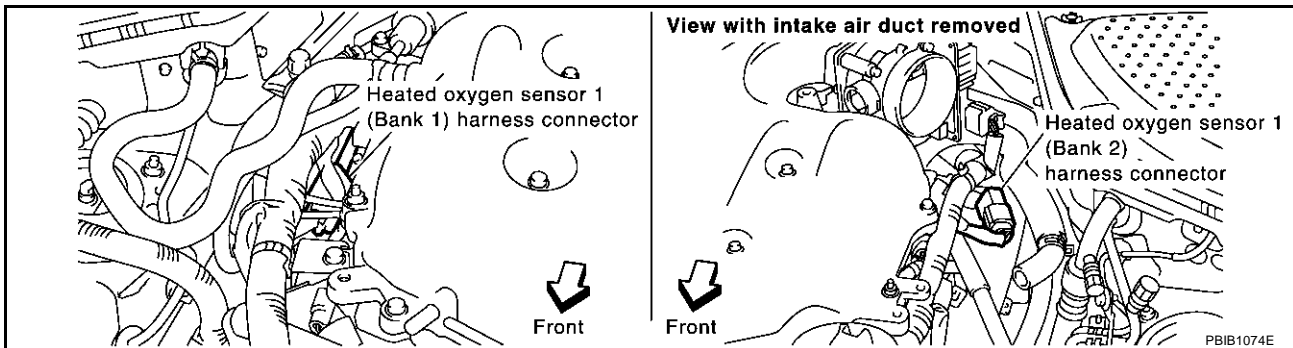
1. Turn ignition switch "OFF".
2. Loosen and retighten engine ground screws.

>> GO TO 2.



### 2. CHECK HO2S1 GROUND CIRCUIT FOR OPEN AND SHORT

1. Disconnect heated oxygen sensor 1 harness connector.



2. Check harness continuity between HO2S1 terminal 4 and engine ground. Refer to Wiring Diagram.

**Continuity should exist.**

3. Also check harness for short to power.

OK or NG

- OK >> GO TO 4.
- NG >> GO TO 3.

# DTC P0134, P0154 HO2S1

## 3. DETECT MALFUNCTIONING PART

Check the following.

- Joint connector-3
- Harness for open or short between HO2S1 and ECM

>> Repair open circuit or short to ground or short to power in harness or connectors.

## 4. CHECK HO2S1 INPUT SIGNAL CIRCUIT FOR OPEN AND SHORT

1. Disconnect ECM harness connector.
2. Check harness continuity between ECM terminal and HO2S1 terminal as follows. Refer to Wiring Diagram.

DTC	Terminals		Bank
	ECM	Sensor	
P0134	35	1	1
P0154	16	1	2

**Continuity should exist.**

3. Check harness continuity between the following terminals and ground. Refer to Wiring Diagram.

DTC	Terminals		Bank
	ECM	Sensor	
P0134	35	1	1
P0154	16	1	2

**Continuity should not exist.**

4. Also check harness for short to power.

OK or NG

OK >> GO TO 5.

NG >> Repair open circuit or short to ground or short to power in harness or connectors.

## 5. CHECK HEATED OXYGEN SENSOR 1

Refer to [EC-237, "Component Inspection"](#) .

OK or NG

OK >> GO TO 6.

NG >> Replace malfunctioning heated oxygen sensor 1.

## 6. CHECK INTERMITTENT INCIDENT

Refer to [EC-137, "TROUBLE DIAGNOSIS FOR INTERMITTENT INCIDENT"](#) .

>> **INSPECTION END**

## Component Inspection HEATED OXYGEN SENSOR 1

ABS000VK

 **With CONSULT-II**

1. Start engine and warm it up to normal operating temperature.
2. Select "MANU TRIG" and adjust "TRIGGER POINT" to 100% in "DATA MONITOR" mode with CONSULT-II.
3. Select "HO2S1 (B1)/(B2)" and "HO2S1 MNTR (B1)/(B2)".

## DTC P0134, P0154 HO2S1

4. Hold engine speed at 2,000 rpm under no load during the following steps.
5. Touch "RECORD" on CONSULT-II screen.

DATA MONITOR	
MONITOR	NO DTC
ENG SPEED	XXX rpm
MAS A/F SE-B1	XXX V
COOLANT TEMP/S	XXX °C
HO2S1 (B1)	XXX V
HO2S1 MNTR (B1)	LEAN

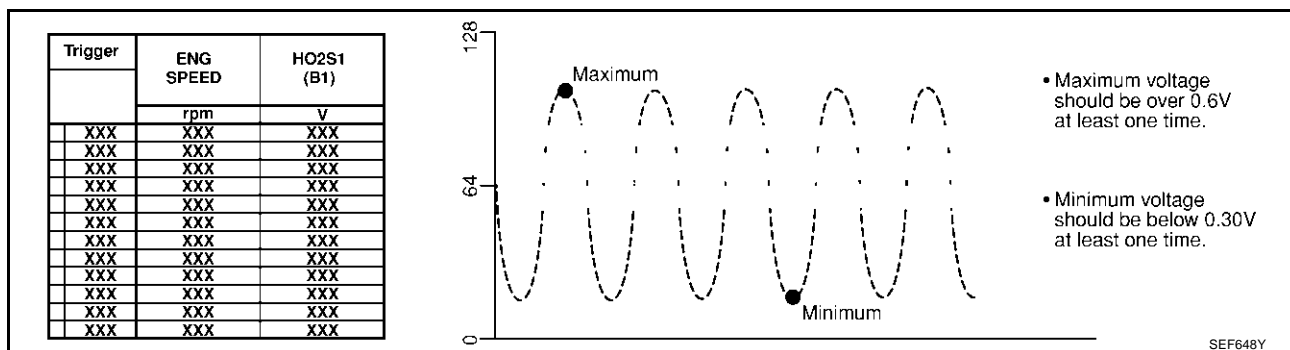
SEF646Y

6. Check the following.
  - "HO2S1 MNTR (B1)/(B2)" in "DATA MONITOR" mode changes from "RICH" to "LEAN" to "RICH" more than 5 times in 10 seconds.  
5 times (cycles) are counted as shown at right.
  - "HO2S1 (B1)/(B2)" voltage goes above 0.6V at least once.
  - "HO2S1 (B1)/(B2)" voltage goes below 0.3V at least once.
  - "HO2S1 (B1)/(B2)" voltage never exceeds 1.0V.

Bank 1	<table style="width: 100%; border-collapse: collapse;"> <tr> <td style="width: 20%;">cycle</td> <td style="width: 10%; border: 1px solid black;"> </td> <td style="width: 10%; border: 1px solid black;">1</td> <td style="width: 10%; border: 1px solid black;"> </td> <td style="width: 10%; border: 1px solid black;">2</td> <td style="width: 10%; border: 1px solid black;"> </td> <td style="width: 10%; border: 1px solid black;">3</td> <td style="width: 10%; border: 1px solid black;"> </td> <td style="width: 10%; border: 1px solid black;">4</td> <td style="width: 10%; border: 1px solid black;"> </td> <td style="width: 10%; border: 1px solid black;">5</td> <td style="width: 10%; border: 1px solid black;"> </td> </tr> <tr> <td colspan="12" style="text-align: center;">HO2S1 MNTR (B1) R-L-R-L-R-L-R-L-R-L-R</td> </tr> </table>	cycle		1		2		3		4		5		HO2S1 MNTR (B1) R-L-R-L-R-L-R-L-R-L-R											
cycle		1		2		3		4		5															
HO2S1 MNTR (B1) R-L-R-L-R-L-R-L-R-L-R																									
Bank 2	<table style="width: 100%; border-collapse: collapse;"> <tr> <td style="width: 20%;">cycle</td> <td style="width: 10%; border: 1px solid black;"> </td> <td style="width: 10%; border: 1px solid black;">1</td> <td style="width: 10%; border: 1px solid black;"> </td> <td style="width: 10%; border: 1px solid black;">2</td> <td style="width: 10%; border: 1px solid black;"> </td> <td style="width: 10%; border: 1px solid black;">3</td> <td style="width: 10%; border: 1px solid black;"> </td> <td style="width: 10%; border: 1px solid black;">4</td> <td style="width: 10%; border: 1px solid black;"> </td> <td style="width: 10%; border: 1px solid black;">5</td> <td style="width: 10%; border: 1px solid black;"> </td> </tr> <tr> <td colspan="12" style="text-align: center;">HO2S1 MNTR (B2) R-L-R-L-R-L-R-L-R-L-R</td> </tr> </table>	cycle		1		2		3		4		5		HO2S1 MNTR (B2) R-L-R-L-R-L-R-L-R-L-R											
cycle		1		2		3		4		5															
HO2S1 MNTR (B2) R-L-R-L-R-L-R-L-R-L-R																									

R means HO2S1  
MNTR (B1)/(B2) indicates RICH  
L means HO2S1  
MNTR (B1)/(B2) indicates LEAN

SEF647Y



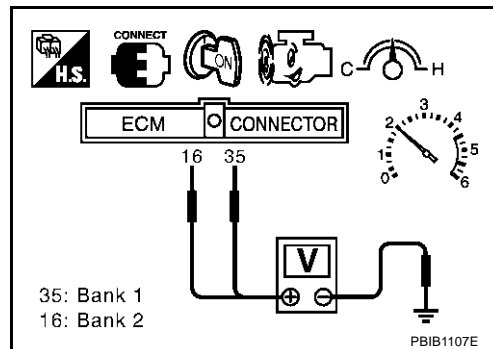
### CAUTION:

- Discard any heated oxygen sensor which has been dropped from a height of more than 0.5 m (19.7 in) onto a hard surface such as a concrete floor; use a new one.
- Before installing new oxygen sensor, clean exhaust system threads using Oxygen Sensor Thread Cleaner tool J-43897-18 or J-43897-12 and approved anti-seize lubricant.

### ⊗ Without CONSULT-II

1. Start engine and warm it up to normal operating temperature.
2. Set voltmeter probes between ECM terminal 35 [HO2S1 (B1) signal] or 16 [HO2S1 (B2) signal] and engine ground.
3. Check the following with engine speed held at 2,000 rpm constant under no load.
  - The voltage fluctuates between 0 to 0.3V and 0.6 to 1.0V more than 5 times within 10 seconds.
  - The maximum voltage is over 0.6V at least one time.
  - The minimum voltage is below 0.3V at least one time.
  - The voltage never exceeds 1.0V.

1 time: 0 - 0.3V → 0.6 - 1.0V → 0 - 0.3V  
 2 times: 0 - 0.3V → 0.6 - 1.0V → 0 - 0.3V → 0.6 - 1.0V



# DTC P0134, P0154 HO2S1

---

**CAUTION:**

- Discard any heated oxygen sensor which has been dropped from a height of more than 0.5 m (19.7 in) onto a hard surface such as a concrete floor; use a new one.
- Before installing new oxygen sensor, clean exhaust system threads using Oxygen Sensor Thread Cleaner tool J-43897-18 or J-43897-12 and approved anti-seize lubricant.

## Removal and Installation HEATED OXYGEN SENSOR 1

ABS000VL

Refer to [EM-23. "EXHAUST MANIFOLD AND THREE WAY CATALYST"](#) .

A

EC

C

D

E

F

G

H

I

J

K

L

M

**DTC P0138, P0158 HO2S2**

**Component Description**

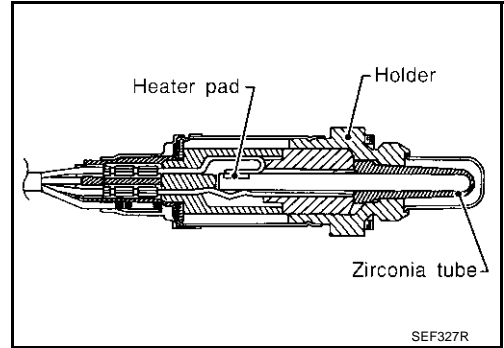
ABS000VM

The heated oxygen sensor 2, after three way catalyst 1, monitors the oxygen level in the exhaust gas on each bank.

Even if switching characteristics of the heated oxygen sensor 1 are shifted, the air-fuel ratio is controlled to stoichiometric, by the signal from the heated oxygen sensor 2.

This sensor is made of ceramic zirconia. The zirconia generates voltage from approximately 1V in richer conditions to 0V in leaner conditions.

Under normal conditions the heated oxygen sensor 2 is not used for engine control operation.



**CONSULT-II Reference Value in Data Monitor Mode**

ABS000VN

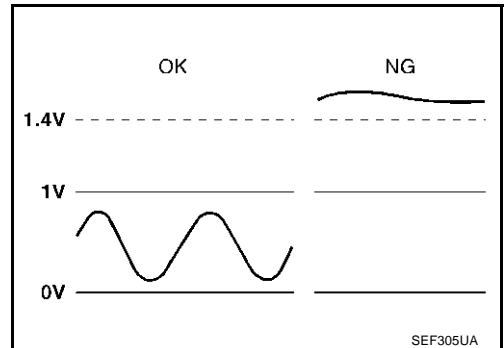
Specification data are reference values.

MONITOR ITEM	CONDITION		SPECIFICATION
HO2S2 (B1) HO2S2 (B2)	<ul style="list-style-type: none"> <li>● Warm-up condition</li> <li>● After keeping engine speed between 3,500 and 4,000 rpm for one minute and at idle for one minute under no load.</li> </ul>	Revsing engine from idle to 3,000 rpm quickly.	0 - 0.3V ↔ Approx. 0.6 - 1.0V
HO2S2 MNTR (B1) HO2S2 MNTR (B2)			LEAN ↔ RICH

**On Board Diagnosis Logic**

ABS000VU

The heated oxygen sensor 2 has a much longer switching time between rich and lean than the heated oxygen sensor 1. The oxygen storage capacity before the three way catalyst causes the longer switching time. To judge the malfunctions of heated oxygen sensor 2, ECM monitors whether the voltage is unusually high during the various driving condition such as fuel-cut.



DTC No.	Trouble diagnosis name	DTC detecting condition	Possible cause
P0138 0138 (Bank 1)	Heated oxygen sensor 2 circuit high voltage	An excessively high voltage from the sensor is sent to ECM.	<ul style="list-style-type: none"> <li>● Harness or connectors (The sensor circuit is open or shorted)</li> <li>● Heated oxygen sensor 2</li> </ul>
P0158 0158 (Bank 2)			



## DTC Confirmation Procedure

### CAUTION:

Always drive vehicle at a safe speed.

### NOTE:

If "DTC Confirmation Procedure" has been previously conducted, always turn ignition switch "OFF" and wait at least 10 seconds before conducting the next test.

#### WITH CONSULT-II

1. Turn ignition switch "ON" and select "DATA MONITOR" mode with CONSULT-II.
2. Start engine and warm it up to the normal operating temperature.
3. Turn ignition switch "OFF" and wait at least 10 seconds.
4. Start engine and keep the engine speed between 3,500 and 4,000 rpm for at least one minute under no load.
5. Let engine idle for two minutes.
6. If 1st trip DTC is detected, go to [EC-245, "Diagnostic Procedure"](#)

DATA MONITOR	
MONITOR	NO DTC
ENG SPEED	XXX rpm
COOLAN TEMP/S	XXX °C

SEF174Y

#### WITH GST

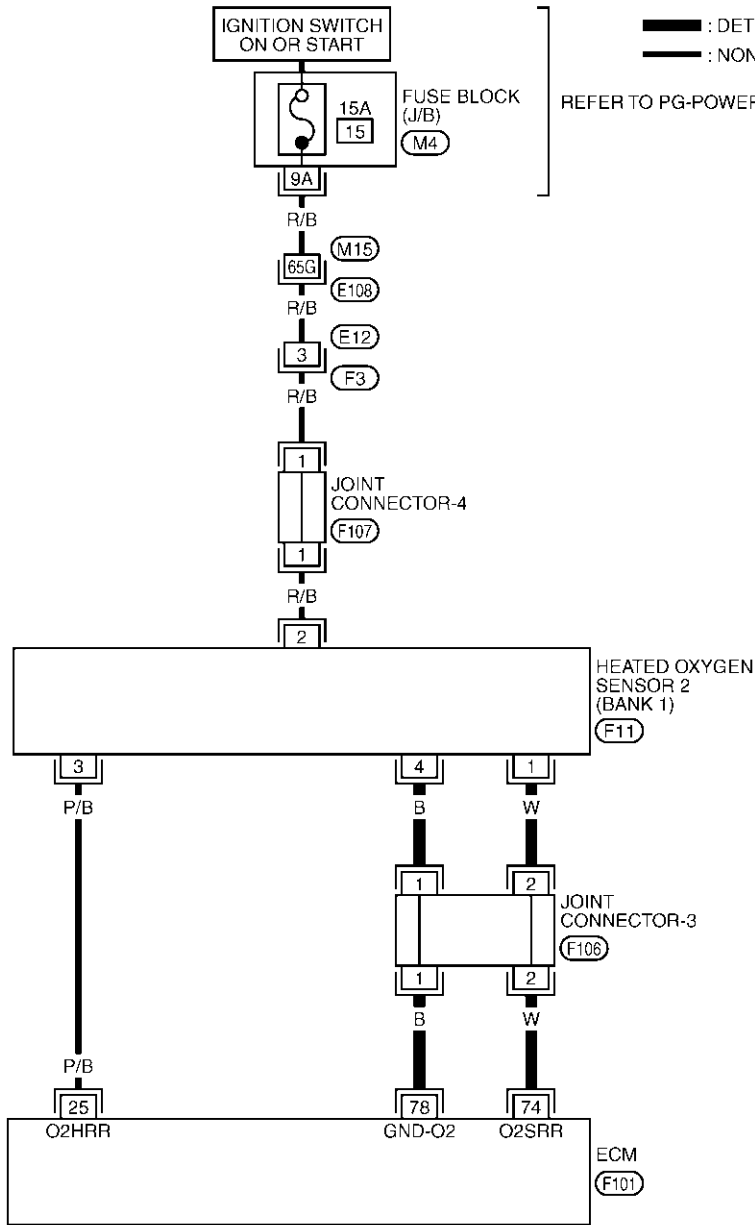
1. Start engine and warm it up to the normal operating temperature.
2. Turn ignition switch "OFF" and wait at least 10 seconds.
3. Start engine and keep the engine speed between 3,500 and 4,000 rpm for at least one minute under no load.
4. Let engine idle for two minutes.
5. Turn ignition switch "OFF" and wait at least 10 seconds.
6. Start engine and keep the engine speed between 3,500 and 4,000 rpm for at least one minute under no load.
7. Let engine idle for two minutes.
8. Select "Mode 3" with GST.
9. If DTC is detected, go to [EC-245, "Diagnostic Procedure"](#) .

# DTC P0138, P0158 HO2S2

ABS000VR

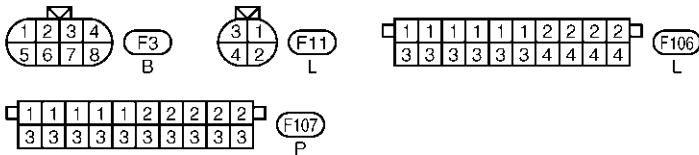
## Wiring Diagram BANK 1

### EC-O2S2B1-01



— : DETECTABLE LINE FOR DTC  
 — : NON-DETECTABLE LINE FOR DTC

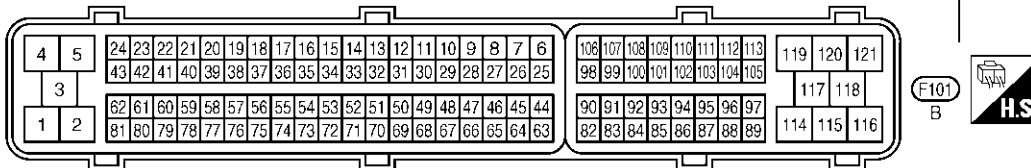
REFER TO PG-POWER.



REFER TO THE FOLLOWING.

(E108) -SUPER MULTIPLE JUNCTION (SMJ)

(M4) -FUSE BLOCK-JUNCTION BOX (J/B)



TBWT0205E

## DTC P0138, P0158 HO2S2

Specification data are reference values and are measured between each terminal and ground.

**CAUTION:**

**Do not use ECM ground terminals when measuring input/output voltage. Doing so may result in damage to the ECM's transistor. Use a ground other than ECM terminals, such as the ground.**

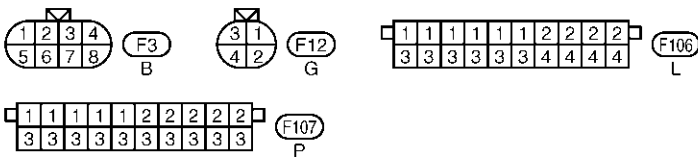
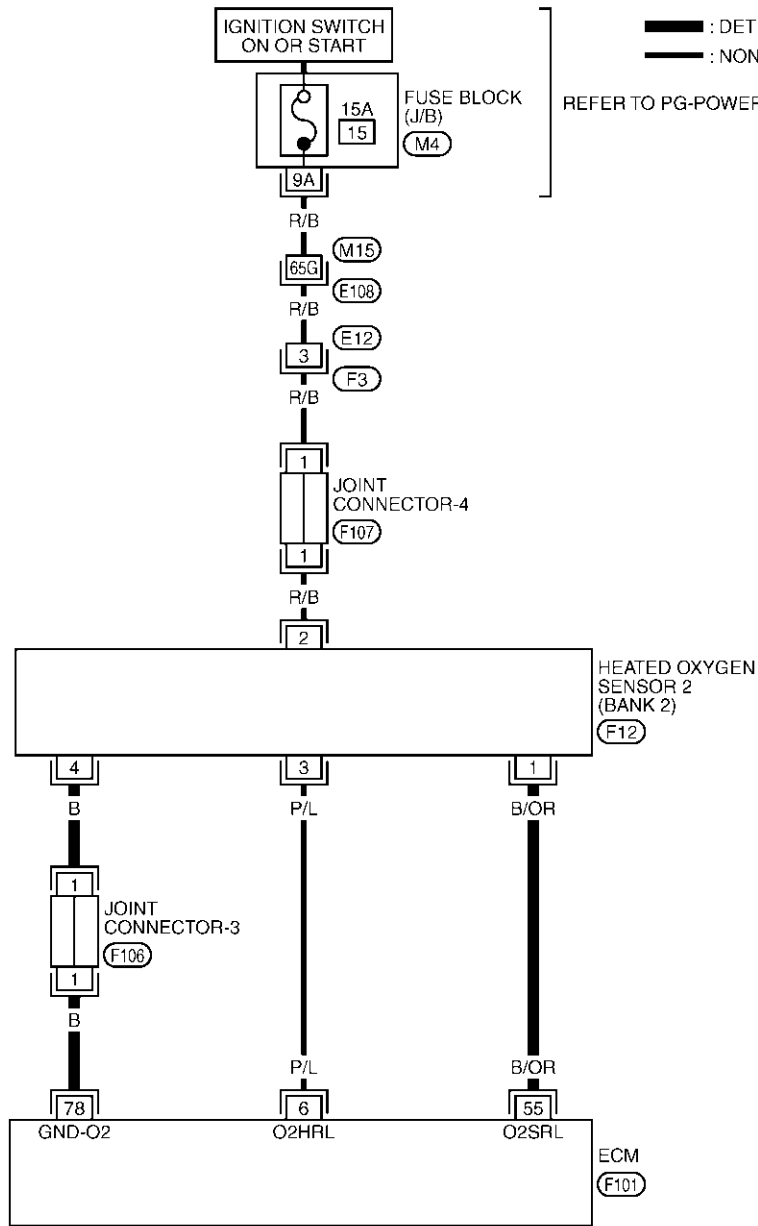
TER-MINAL NO.	WIRE COLOR	ITEM	CONDITION	DATA (DC Voltage)
74	W	Heated oxygen sensor 2 (bank 1)	<p><b>[Engine is running]</b></p> <ul style="list-style-type: none"> <li>● <b>Warm-up condition</b></li> <li>● Revving engine from idle to 3,000 rpm quickly after the following conditions are met.</li> <li>– After keeping the engine speed between 3,500 and 4,000 rpm for one minute and at idle for one minute under no load.</li> </ul>	0 - Approximately 1.0V
78	B	Sensors' ground (Heated oxygen sensor)	<p><b>[Engine is running]</b></p> <ul style="list-style-type: none"> <li>● <b>Warm-up condition</b></li> <li>● Idle speed</li> </ul>	Approximately 0V

A  
EC  
C  
D  
E  
F  
G  
H  
I  
J  
K  
L  
M

# DTC P0138, P0158 HO2S2

**BANK 2**

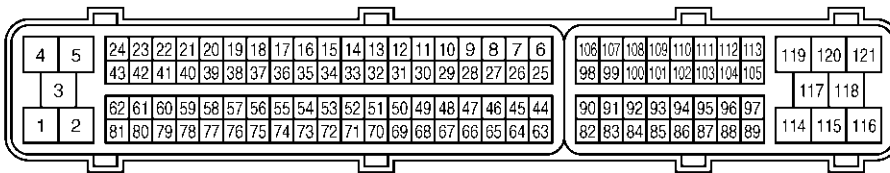
**EC-O2S2B2-01**



REFER TO THE FOLLOWING.

(E108) -SUPER MULTIPLE JUNCTION (SMJ)

(M4) -FUSE BLOCK-JUNCTION BOX (J/B)



TBWT0206E

# DTC P0138, P0158 HO2S2

Specification data are reference values and are measured between each terminal and ground.

**CAUTION:**

Do not use ECM ground terminals when measuring input/output voltage. Doing so may result in damage to the ECM's transistor. Use a ground other than ECM terminals, such as the ground.

TER-MINAL NO.	WIRE COLOR	ITEM	CONDITION	DATA (DC Voltage)
55	B/OR	Heated oxygen sensor 2 (bank 2)	<p><b>[Engine is running]</b></p> <ul style="list-style-type: none"> <li>● Warm-up condition</li> <li>● Revving engine from idle to 3,000 rpm quickly after the following conditions are met.</li> <li>– After keeping the engine speed between 3,500 and 4,000 rpm for one minute and at idle for one minute under no load.</li> </ul>	0 - Approximately 1.0V
78	B	Sensors' ground (Heated oxygen sensor)	<p><b>[Engine is running]</b></p> <ul style="list-style-type: none"> <li>● Warm-up condition</li> <li>● Idle speed</li> </ul>	Approximately 0V

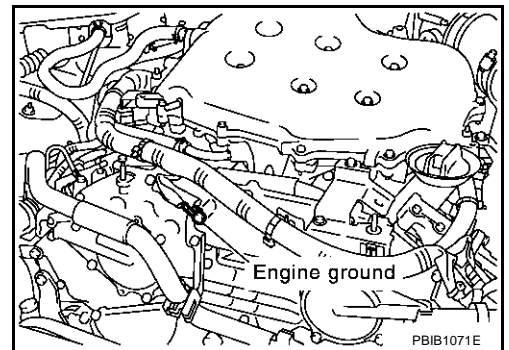
## Diagnostic Procedure

ABS000VS

### 1. RETIGHTEN GROUND SCREWS

1. Turn ignition switch "OFF".
2. Loosen and retighten engine ground screws.

>> GO TO 2.



### 2. CHECK HO2S2 GROUND CIRCUIT FOR OPEN AND SHORT

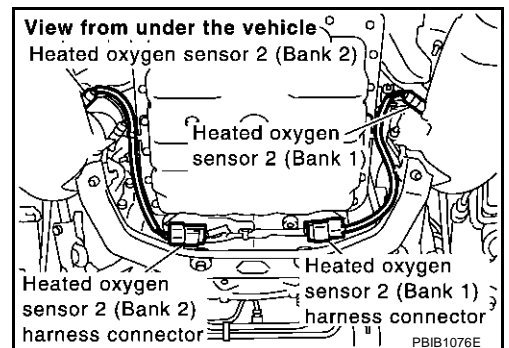
1. Turn ignition switch "OFF".
2. Disconnect heated oxygen sensor 2 harness connector.
3. Check harness continuity between HO2S2 terminal 4 and ECM. Refer to Wiring Diagram.

**Continuity should exist.**

4. Also check harness for short to ground or short to power.

OK or NG

- OK >> GO TO 4.
- NG >> GO TO 3.



### 3. DETECT MALFUNCTIONING PART

Check the following.

- Joint connector-3
- Harness for open or short between HO2S2 and ECM

>> Repair open circuit or short to ground or short to power in harness or connectors.

## DTC P0138, P0158 HO2S2

### 4. CHECK HO2S2 INPUT SIGNAL CIRCUIT FOR OPEN AND SHORT

1. Disconnect ECM harness connector.
2. Check harness continuity between ECM terminal and HO2S2 terminal as follows.  
Refer to Wiring Diagram.

DTC	Terminals		Bank
	ECM	Sensor	
P0138	74	1	1
P0158	55	1	2

**Continuity should exist.**

3. Check harness continuity between the following terminals and ground.  
Refer to Wiring Diagram.

DTC	Terminals		Bank
	ECM	Sensor	
P0138	74	1	1
P0158	55	1	2

**Continuity should not exist.**

4. Also check harness for short to ground and short to power.

OK or NG

- OK >> GO TO 6.
- NG >> GO TO 5.

### 5. DETECT MALFUNCTIONING PART

Check the following.

- Joint connector-3
- Harness for open or short between HO2S2 and ECM

>> Repair open circuit or short to ground or short to power in harness or connectors.

### 6. CHECK HO2S2 CONNECTOR FOR WATER

1. Turn ignition switch "OFF".
2. Disconnect heated oxygen sensor 2 harness connector.
3. Check connectors for water.

**Water should not exist.**

OK or NG

- OK >> GO TO 7.
- NG >> Repair or replace harness or connectors.

### 7. CHECK HEATED OXYGEN SENSOR 2

Refer to [EC-247, "Component Inspection"](#) .

OK or NG

- OK >> GO TO 8.
- NG >> Replace malfunctioning heated oxygen sensor 2.

8. CHECK INTERMITTENT INCIDENT

Refer to [EC-137, "TROUBLE DIAGNOSIS FOR INTERMITTENT INCIDENT"](#) .

>> INSPECTION END

**Component Inspection**  
**HEATED OXYGEN SENSOR 2**

ABS0031L

**With CONSULT-II**

1. Turn ignition switch "ON" and select "DATA MONITOR" mode with CONSULT-II.
2. Start engine and warm it up to the normal operating temperature.
3. Turn ignition switch "OFF" and wait at least 10 seconds.
4. Start engine and keep the engine speed between 3,500 and 4,000 rpm for at least one minute under no load.
5. Let engine idle for one minutes.

DATA MONITOR	
MONITOR	NO DTC
ENG SPEED	XXX rpm
COOLAN TEMP/S	XXX °C

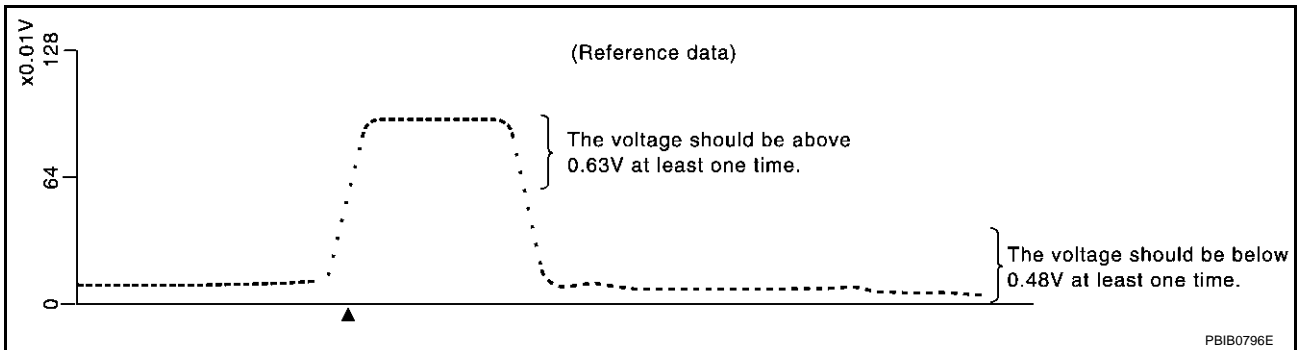
SEF174Y

6. Select "FUEL INJECTION" in "ACTIVE TEST" mode, and select "HO2S2 (B1)/(B2)" as the monitor item with CONSULT-II.

ACTIVE TEST	
FUEL INJECTION	25 %
MONITOR	
ENG SPEED	XXX rpm
HO2S1 (B1)	XXX V
HO2S2 (B1)	XXX V
HO2S1 MNTR (B1)	RICH
HO2S2 MNTR (B1)	RICH

SEF662Y

7. Check "HO2S2 (B1)/(B2)" at idle speed when adjusting "FUEL INJECTION" to ±25%.



"HO2S2 (B1)/(B2)" should be above 0.63V at least once when the "FUEL INJECTION" is +25%.  
"HO2S2 (B1)/(B2)" should be below 0.48V at least once when the "FUEL INJECTION" is -25%.

**CAUTION:**

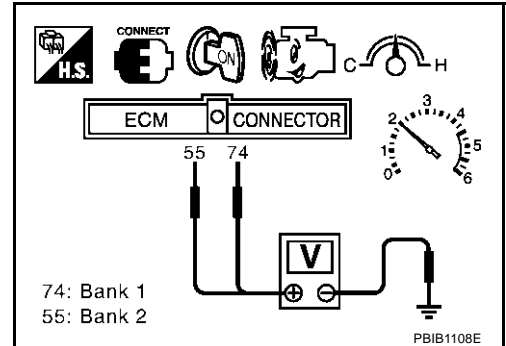
- Discard any heated oxygen sensor which has been dropped from a height of more than 0.5 m (19.7 in) onto a hard surface such as a concrete floor; use a new one.
- Before installing new oxygen sensor, clean exhaust system threads using Oxygen Sensor Thread Cleaner tool J-43897-18 or J-43897-12 and approved anti-seize lubricant.

**Without CONSULT-II**

1. Start engine and warm it up to the normal operating temperature.
2. Turn ignition switch "OFF" and wait at least 10 seconds.

## DTC P0138, P0158 HO2S2

3. Start engine and keep the engine speed between 3,500 and 4,000 rpm for at least one minute under no load.
4. Let engine idle for one minutes.
5. Set voltmeter probes between ECM terminal 74 [HO2S2 (B1) signal] or 55 [HO2S2 (B2) signal] and engine ground.
6. Check the voltage when revving up to 4,000 rpm under no load at least 10 times.  
(Depress and release accelerator pedal as soon as possible.)  
**The voltage should be above 0.63V at least once during this procedure.**  
**If the voltage is above 0.63V at step 6, step 7 is not necessary.**
7. Keep vehicle at idling for 10 minutes, then check voltage. Or check the voltage when coasting from 80 km/h (50 MPH) in "D" position (A/T), 4th gear position (M/T).  
**The voltage should be below 0.48V at least once during this procedure.**
8. If NG, replace heated oxygen sensor 2.



### CAUTION:

- Discard any heated oxygen sensor which has been dropped from a height of more than 0.5 m (19.7 in) onto a hard surface such as a concrete floor; use a new one.
- Before installing new oxygen sensor, clean exhaust system threads using Oxygen Sensor Thread Cleaner tool J-43897-18 or J-43897-12 and approved anti-seize lubricant.

### Removal and Installation HEATED OXYGEN SENSOR 2

ABS000VU

Refer to [EM-23, "EXHAUST MANIFOLD AND THREE WAY CATALYST"](#) .



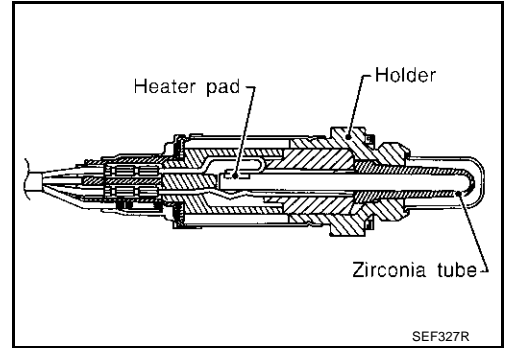
**DTC P0139, P0159 HO2S2**

PFP:226A0

**Component Description**

ABS000VV

The heated oxygen sensor 2, after three way catalyst 1, monitors the oxygen level in the exhaust gas on each bank. Even if switching characteristics of the heated oxygen sensor 1 are shifted, the air-fuel ratio is controlled to stoichiometric, by the signal from the heated oxygen sensor 2. This sensor is made of ceramic zirconia. The zirconia generates voltage from approximately 1V in richer conditions to 0V in leaner conditions. Under normal conditions the heated oxygen sensor 2 is not used for engine control operation.



**CONSULT-II Reference Value in Data Monitor Mode**

ABS000VW

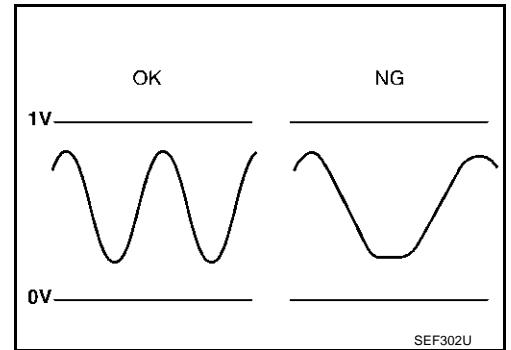
Specification data are reference values.

MONITOR ITEM	CONDITION		SPECIFICATION
HO2S2 (B1) HO2S2 (B2)	<ul style="list-style-type: none"> <li>Warm-up condition</li> <li>After keeping engine speed between 3,500 and 4,000 rpm for one minute and at idle for one minute under no load.</li> </ul>	Revving engine from idle to 3,000 rpm quickly.	0 - 0.3V ↔ Approx. 0.6 - 1.0V
HO2S2 MNTR (B1) HO2S2 MNTR (B2)			LEAN ↔ RICH

**On Board Diagnosis Logic**

ABS000VX

The heated oxygen sensor 2 has a much longer switching time between rich and lean than the heated oxygen sensor 1. The oxygen storage capacity before the three way catalyst causes the longer switching time. To judge the malfunctions of heated oxygen sensor 2, ECM monitors whether the switching response of the sensor's voltage is faster than specified during the various driving condition such as fuel-cut.



DTC No.	Trouble diagnosis name	DTC detecting condition	Possible cause
P0139 0139 (Bank 1)	Heated oxygen sensor 2 circuit slow response	It takes more time for the sensor to respond between rich and lean than the specified time.	<ul style="list-style-type: none"> <li>Harness or connectors (The sensor circuit is open or shorted)</li> <li>Heated oxygen sensor 2</li> <li>Fuel pressure</li> <li>Injectors</li> <li>Intake air leaks</li> </ul>
P0159 0159 (Bank 2)			

# DTC P0139, P0159 HO2S2

ABS000VY

## DTC Confirmation Procedure

### NOTE:

If "DTC Confirmation Procedure" has been previously conducted, always turn ignition switch "OFF" and wait at least 10 seconds before conducting the next test.

### Ⓟ WITH CONSULT-II

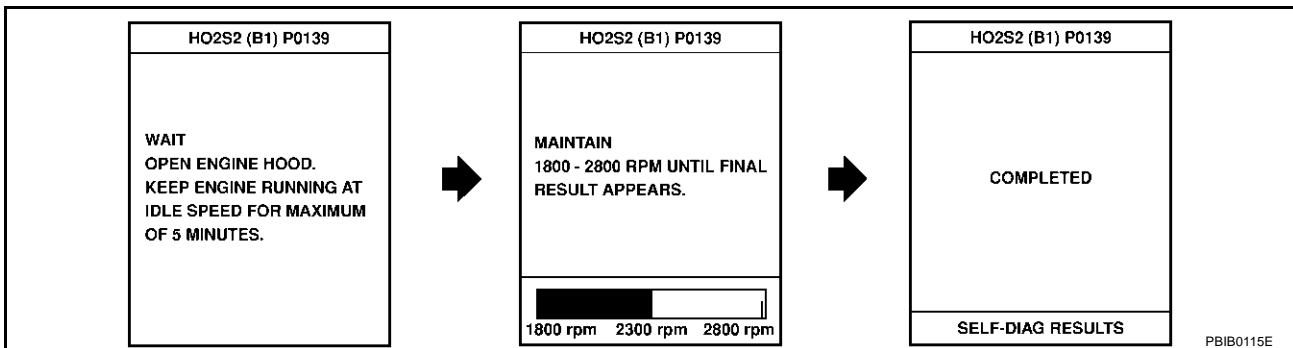
#### TESTING CONDITION:

For better results, perform "DTC WORK SUPPORT" at a temperature of 0 to 30 °C (32 to 86 °F).

1. Turn ignition switch "ON" and select "DATA MONITOR" mode with CONSULT-II.
2. Start engine and warm it up to the normal operating temperature.
3. Turn ignition switch "OFF" and wait at least 10 seconds.
4. Start engine and keep the engine speed between 3,500 and 4,000 rpm for at least one minute under no load.
5. Let engine idle for one minutes.
6. Make sure that "COOLAN TEMP/S" indicates more than 70°C (158°F).  
If not, warm up engine and go to next step when "COOLAN TEMP/S" indication reaches to 70°C (158°F).
7. Select "HO2S2 (B1) P0139" or "HO2S2 (B2) P0159" of "HO2S2" in "DTC WORK SUPPORT" mode with CONSULT-II.
8. Start engine and following the instruction of CONSULT-II.

DATA MONITOR	
MONITOR	NO DTC
ENG SPEED	XXX rpm
COOLAN TEMP/S	XXX °C

SEF174Y



9. Make sure that "OK" is displayed after touching "SELF-DIAG RESULTS".  
If "NG" is displayed, refer to [EC-255, "Diagnostic Procedure"](#).  
If "CAN NOT BE DIAGNOSED" is displayed, perform the following.
  - a. Turn ignition switch "OFF" and leave the vehicle in a cool place (soak the vehicle).
  - b. Return to step 1.

## Overall Function Check

ABS000VZ

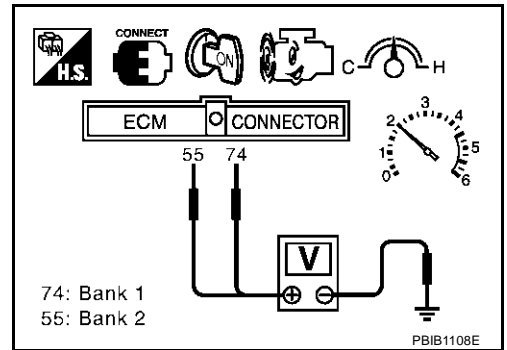
Use this procedure to check the overall function of the heated oxygen sensor 2 circuit. During this check, a DTC might not be confirmed.

### Ⓟ WITH GST

1. Start engine and warm it up to the normal operating temperature.
2. Turn ignition switch "OFF" and wait at least 10 seconds.
3. Start engine and keep the engine speed between 3,500 and 4,000 rpm for at least one minute under no load.
4. Let engine idle for one minutes.
5. Set voltmeter probes between ECM terminal 74 [HO2S2 (B1) signal] or 55 [HO2S2 (B2) signal] and engine ground.

## DTC P0139, P0159 HO2S2

6. Check the voltage when revving up to 4,000 rpm under no load at least 10 times.  
(Depress and release accelerator pedal as soon as possible.)  
**A change of voltage should be more than 0.06V for 1 second during this procedure.**  
**If the voltage can be confirmed in step 6, step 7 is not necessary.**
7. Keep vehicle at idling for 10 minutes, then check the voltage. Or check the voltage when coasting from 80 km/h (50 MPH) in "D" position (A/T), 4th gear position (M/T).  
**A change of voltage should be more than 0.06V for 1 second during this procedure.**
8. If NG, go to [EC-255, "Diagnostic Procedure"](#).



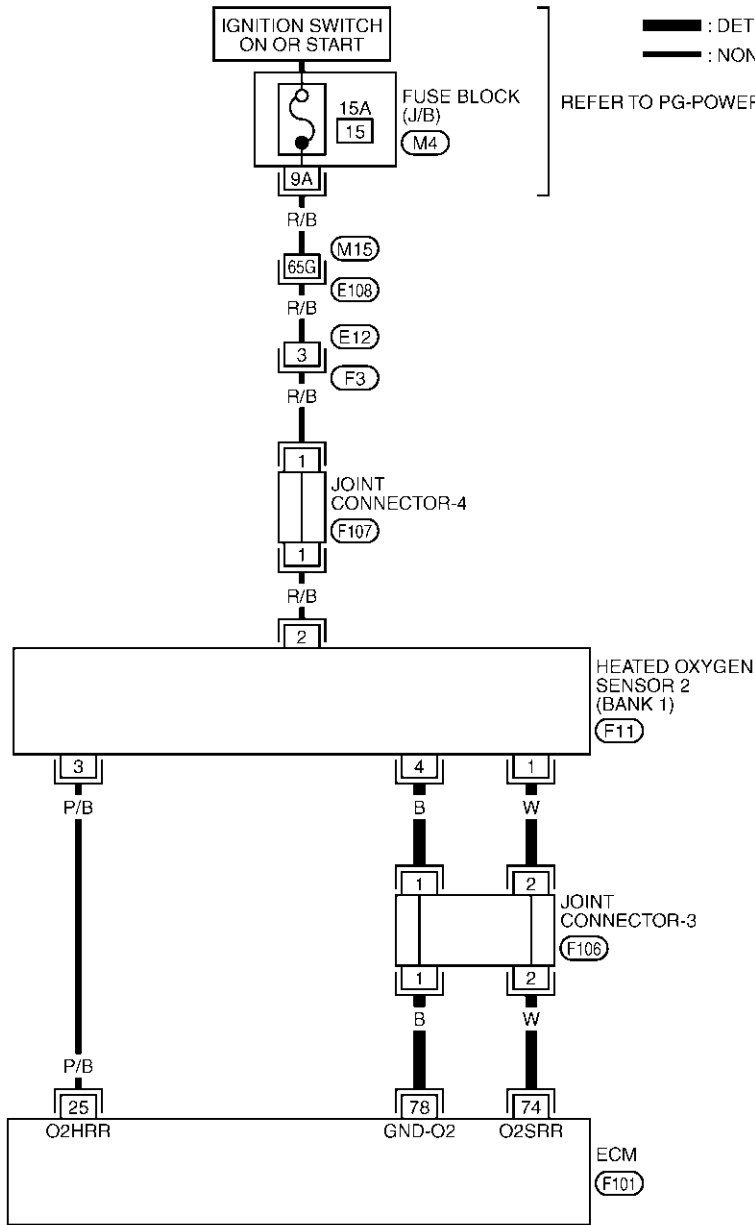
A  
EC  
C  
D  
E  
F  
G  
H  
I  
J  
K  
L  
M

# DTC P0139, P0159 HO2S2

ABS002ZQ

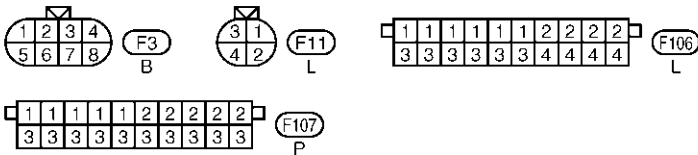
## Wiring Diagram BANK 1

### EC-O2S2B1-01



— : DETECTABLE LINE FOR DTC  
 — : NON-DETECTABLE LINE FOR DTC

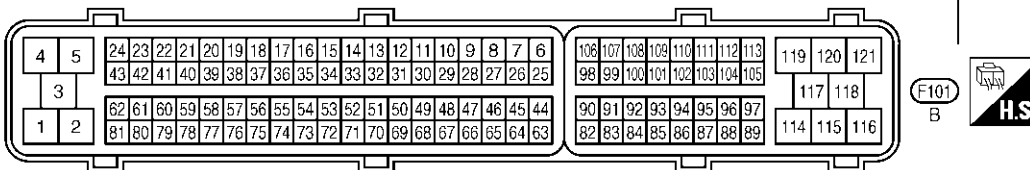
REFER TO PG-POWER.



REFER TO THE FOLLOWING.

(E108) -SUPER MULTIPLE JUNCTION (SMJ)

(M4) -FUSE BLOCK-JUNCTION BOX (J/B)



TBWT0205E

## DTC P0139, P0159 HO2S2

Specification data are reference values and are measured between each terminal and ground.

**CAUTION:**

**Do not use ECM ground terminals when measuring input/output voltage. Doing so may result in damage to the ECM's transistor. Use a ground other than ECM terminals, such as the ground.**

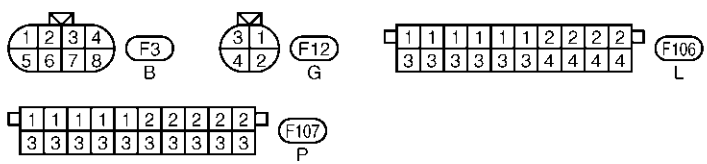
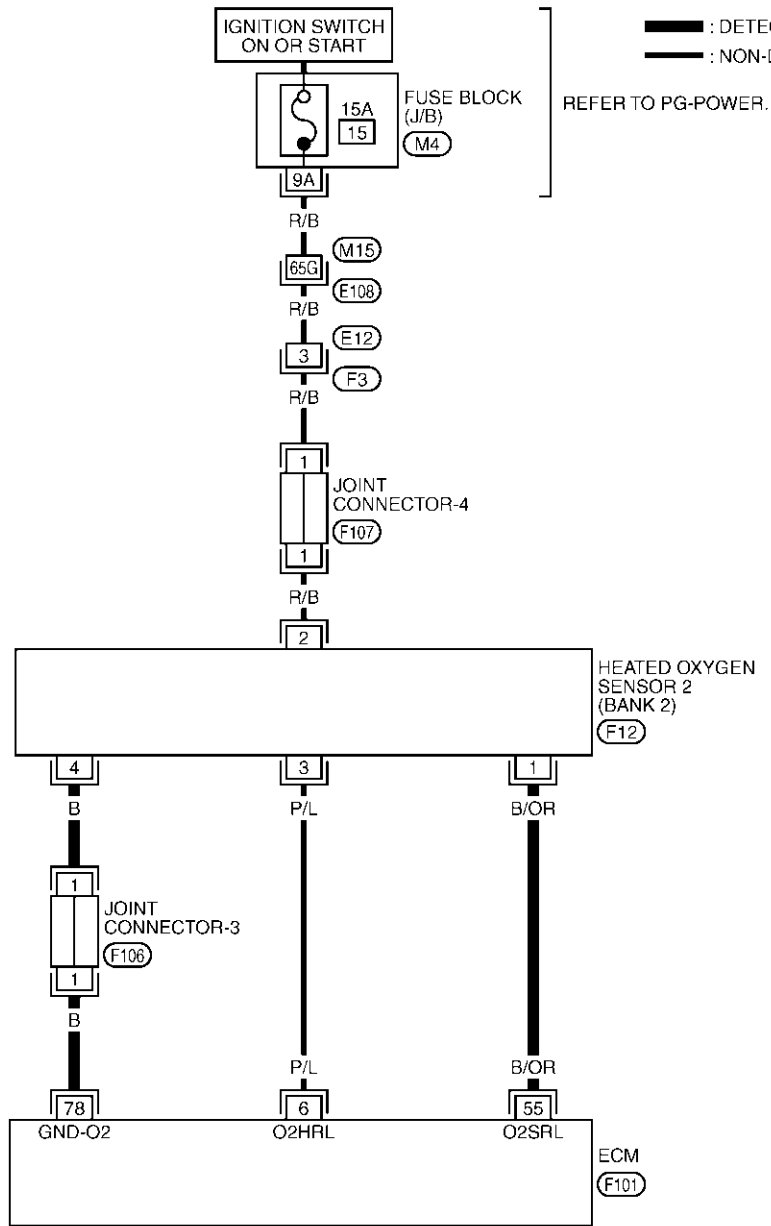
TER-MINAL NO.	WIRE COLOR	ITEM	CONDITION	DATA (DC Voltage)
74	W	Heated oxygen sensor 2 (bank 1)	<b>[Engine is running]</b> <ul style="list-style-type: none"> <li>● <b>Warm-up condition</b></li> <li>● Revving engine from idle to 3,000 rpm quickly after the following conditions are met.</li> <li>– After keeping the engine speed between 3,500 and 4,000 rpm for one minute and at idle for one minute under no load.</li> </ul>	0 - Approximately 1.0V
78	B	Sensors' ground (Heated oxygen sensor)	<b>[Engine is running]</b> <ul style="list-style-type: none"> <li>● <b>Warm-up condition</b></li> <li>● Idle speed</li> </ul>	Approximately 0V

A  
EC  
C  
D  
E  
F  
G  
H  
I  
J  
K  
L  
M

# DTC P0139, P0159 HO2S2

**BANK 2**

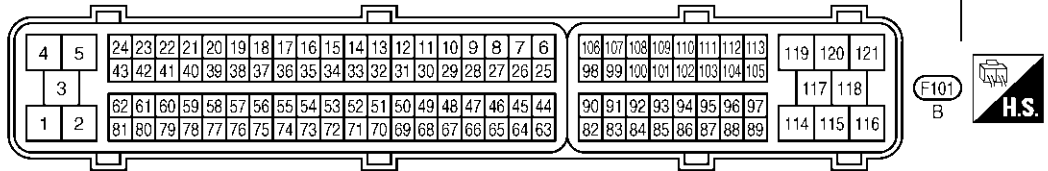
**EC-O2S2B2-01**



REFER TO THE FOLLOWING.

(E108) -SUPER MULTIPLE JUNCTION (SMJ)

(M4) -FUSE BLOCK-JUNCTION BOX (J/B)



TBWT0206E

# DTC P0139, P0159 HO2S2

Specification data are reference values and are measured between each terminal and ground.

**CAUTION:**

Do not use ECM ground terminals when measuring input/output voltage. Doing so may result in damage to the ECM's transistor. Use a ground other than ECM terminals, such as the ground.

TER-MINAL NO.	WIRE COLOR	ITEM	CONDITION	DATA (DC Voltage)
55	B/OR	Heated oxygen sensor 2 (bank 2)	<p><b>[Engine is running]</b></p> <ul style="list-style-type: none"> <li>● <b>Warm-up condition</b></li> <li>● Revving engine from idle to 3,000 rpm quickly after the following conditions are met.</li> <li>- After keeping the engine speed between 3,500 and 4,000 rpm for one minute and at idle for one minute under no load.</li> </ul>	0 - Approximately 1.0V
78	B	Sensors' ground (Heated oxygen sensor)	<p><b>[Engine is running]</b></p> <ul style="list-style-type: none"> <li>● <b>Warm-up condition</b></li> <li>● Idle speed</li> </ul>	Approximately 0V

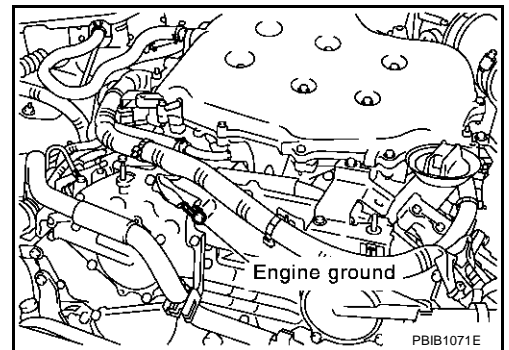
## Diagnostic Procedure

ABS000W1

### 1. RETIGHTEN GROUND SCREWS

1. Turn ignition switch "OFF".
2. Loosen and retighten engine ground screws.

>> GO TO 2.

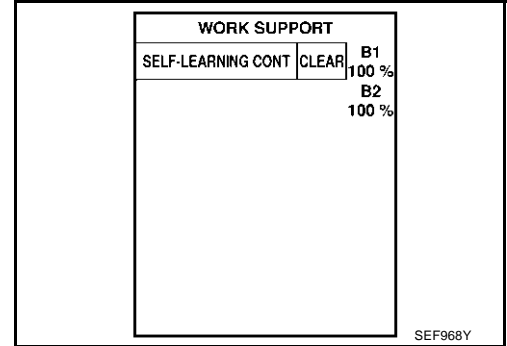


PBIB1071E

## 2. CLEAR THE SELF-LEARNING DATA

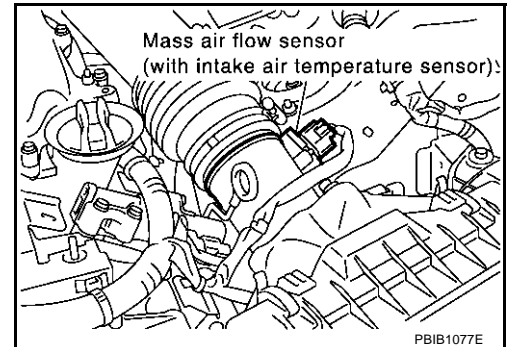
### ☐ With CONSULT-II

1. Start engine and warm it up to normal operating temperature.
2. Select "SELF-LEARNING CONT" in "WORK SUPPORT" mode with CONSULT-II.
3. Clear the self-learning control coefficient by touching "CLEAR".
4. Run engine for at least 10 minutes at idle speed.  
**Is the 1st trip DTC P0171, P0172, P0174 or P0175 detected?  
Is it difficult to start engine?**



### ⊗ Without CONSULT-II

1. Start engine and warm it up to normal operating temperature.
2. Turn ignition switch "OFF".
3. Disconnect mass air flow sensor harness connector, and restart and run engine for at least 5 seconds at idle speed.
4. Stop engine and reconnect mass air flow sensor harness connector.
5. Make sure DTC P0102 is displayed.
6. Erase the DTC memory. Refer to [EC-69, "HOW TO ERASE EMISSION-RELATED DIAGNOSTIC INFORMATION"](#).
7. Make sure DTC P0000 is displayed.
8. Run engine for at least 10 minutes at idle speed.  
**Is the 1st trip DTC P0171, P0172, P0174 or P0175 detected?  
Is it difficult to start engine?**



Yes or No

- Yes >> Perform trouble diagnosis for DTC P0171, P0174 or P0172, P0175. Refer to [EC-260](#) or [EC-269](#).  
No >> GO TO 3.

## 3. CHECK HO2S2 GROUND CIRCUIT FOR OPEN AND SHORT

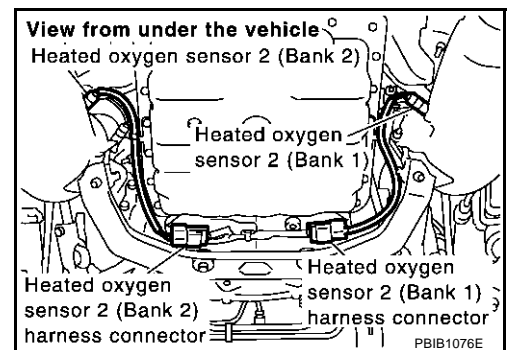
1. Turn ignition switch "OFF".
2. Disconnect heated oxygen sensor 2 harness connector.
3. Check harness continuity between HO2S2 terminal 4 and engine ground.  
Refer to Wiring Diagram.

**Continuity should exist.**

4. Also check harness for short to ground and short to power.

OK or NG

- OK >> GO TO 5.  
NG >> GO TO 4.



## 4. DETECT MALFUNCTIONING PART

Check the following.

- Joint connector-3
- Harness for open or short between HO2S2 and engine ground

>> Repair open circuit or short to ground or short to power in harness or connectors.



# DTC P0139, P0159 HO2S2

## 5. CHECK HO2S2 INPUT SIGNAL CIRCUIT FOR OPEN AND SHORT

1. Disconnect ECM harness connector.
2. Check harness continuity between ECM terminal and HO2S2 terminal as follows.  
Refer to Wiring Diagram.

DTC	Terminals		Bank
	ECM	Sensor	
P0139	74	1	1
P0159	55	1	2

**Continuity should exist.**

3. Check harness continuity between the following terminals and ground.  
Refer to Wiring Diagram.

DTC	Terminals		Bank
	ECM	Sensor	
P0139	74	1	1
P0159	55	1	2

**Continuity should not exist.**

4. Also check harness for short to ground and short to power.

OK or NG

- OK >> GO TO 7.
- NG >> GO TO 6.

## 6. DETECT MALFUNCTIONING PART

Check the following.

- Joint connector-3
- Harness for open or short between HO2S2 and ECM

>> Repair open circuit or short to ground or short to power in harness or connectors.

## 7. CHECK HEATED OXYGEN SENSOR 2

Refer to [EC-258, "Component Inspection"](#) .

OK or NG

- OK >> GO TO 8.
- NG >> Replace malfunctioning heated oxygen sensor 2.

## 8. CHECK INTERMITTENT INCIDENT

Refer to [EC-137, "TROUBLE DIAGNOSIS FOR INTERMITTENT INCIDENT"](#) .

>> **INSPECTION END**

**Component Inspection**  
**HEATED OXYGEN SENSOR 2**

**With CONSULT-II**

1. Turn ignition switch "ON" and select "DATA MONITOR" mode with CONSULT-II.
2. Start engine and warm it up to the normal operating temperature.
3. Turn ignition switch "OFF" and wait at least 10 seconds.
4. Start engine and keep the engine speed between 3,500 and 4,000 rpm for at least one minute under no load.
5. Let engine idle for one minutes.

DATA MONITOR	
MONITOR	NO DTC
ENG SPEED	XXX rpm
COOLAN TEMP/S	XXX °C

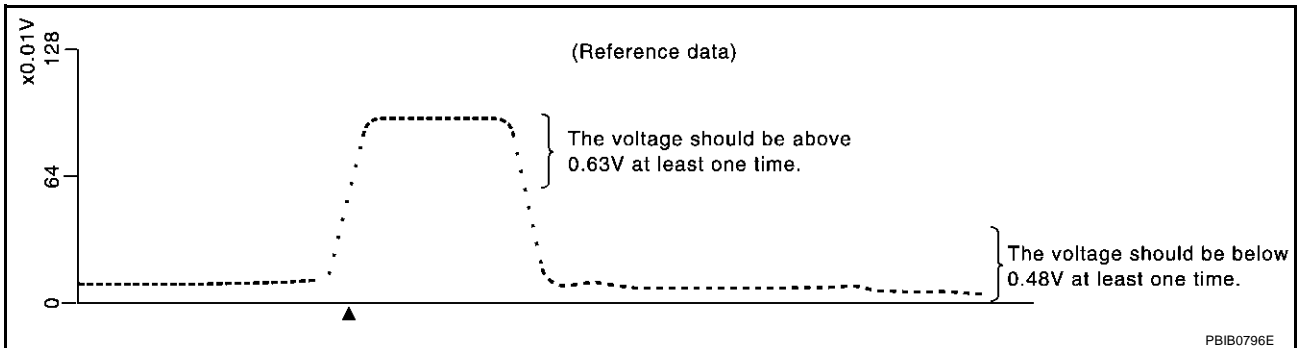
SEF174Y

6. Select "FUEL INJECTION" in "ACTIVE TEST" mode, and select "HO2S2 (B1)/(B2)" as the monitor item with CONSULT-II.

ACTIVE TEST	
FUEL INJECTION	25 %
MONITOR	
ENG SPEED	XXX rpm
HO2S1 (B1)	XXX V
HO2S2 (B1)	XXX V
HO2S1 MNTR (B1)	RICH
HO2S2 MNTR (B1)	RICH

SEF662Y

7. Check "HO2S2 (B1)/(B2)" at idle speed when adjusting "FUEL INJECTION" to  $\pm 25\%$ .



"HO2S2 (B1)/(B2)" should be above 0.63V at least once when the "FUEL INJECTION" is +25%.  
 "HO2S2 (B1)/(B2)" should be below 0.48V at least once when the "FUEL INJECTION" is -25%.

**CAUTION:**

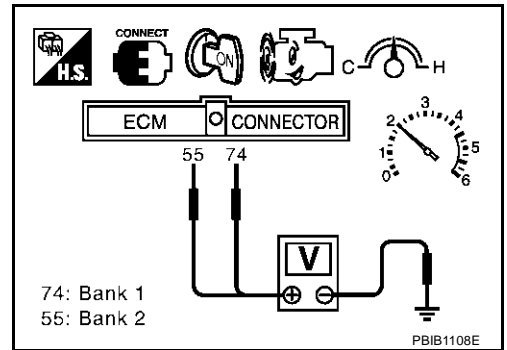
- Discard any heated oxygen sensor which has been dropped from a height of more than 0.5 m (19.7 in) onto a hard surface such as a concrete floor; use a new one.
- Before installing new oxygen sensor, clean exhaust system threads using Oxygen Sensor Thread Cleaner tool J-43897-18 or J-43897-12 and approved anti-seize lubricant.

**Without CONSULT-II**

1. Start engine and warm it up to the normal operating temperature.
2. Turn ignition switch "OFF" and wait at least 10 seconds.
3. Start engine and keep the engine speed between 3,500 and 4,000 rpm for at least one minute under no load.
4. Let engine idle for one minutes.
5. Set voltmeter probes between ECM terminal 74 [HO2S2 (B1) signal] or 55 [HO2S2 (B2) signal] and engine ground.

## DTC P0139, P0159 HO2S2

6. Check the voltage when revving up to 4,000 rpm under no load at least 10 times.  
(Depress and release accelerator pedal as soon as possible.)  
**The voltage should be above 0.63V at least once during this procedure.**  
**If the voltage is above 0.63V at step 6, step 7 is not necessary.**
7. Keep vehicle at idling for 10 minutes, then check voltage. Or check the voltage when coasting from 80 km/h (50 MPH) in "D" position (A/T), 4th gear position (M/T).  
**The voltage should be below 0.48V at least once during this procedure.**
8. If NG, replace heated oxygen sensor 2.



### CAUTION:

- Discard any heated oxygen sensor which has been dropped from a height of more than 0.5 m (19.7 in) onto a hard surface such as a concrete floor; use a new one.
- Before installing new oxygen sensor, clean exhaust system threads using Oxygen Sensor Thread Cleaner tool J-43897-18 or J-43897-12 and approved anti-seize lubricant.

### Removal and Installation HEATED OXYGEN SENSOR 2

ABS000W3

Refer to [EM-23. "EXHAUST MANIFOLD AND THREE WAY CATALYST"](#) .

# DTC P0171, P0174 FUEL INJECTION SYSTEM FUNCTION

## DTC P0171, P0174 FUEL INJECTION SYSTEM FUNCTION

PF16600

### On Board Diagnosis Logic

ABS000W4

With the Air/Fuel Mixture Ratio Self-Learning Control, the actual mixture ratio can be brought closely to the theoretical mixture ratio based on the mixture ratio feedback signal from the heated oxygen sensors 1. The ECM calculates the necessary compensation to correct the offset between the actual and the theoretical ratios.

In case the amount of the compensation value is extremely large (The actual mixture ratio is too lean.), the ECM judges the condition as the fuel injection system malfunction and lights up the MIL (2 trip detection logic).

Sensor	Input signal to ECM	ECM function	Actuator
Heated oxygen sensors 1	Density of oxygen in exhaust gas (Mixture ratio feedback signal)	Fuel injection control	Fuel injectors

DTC No.	Trouble diagnosis name	DTC detecting condition	Possible cause
P0171 0171 (Bank 1)	Fuel injection system too lean	<ul style="list-style-type: none"> <li>Fuel injection system does not operate properly.</li> <li>The amount of mixture ratio compensation is too large. (The mixture ratio is too lean.)</li> </ul>	<ul style="list-style-type: none"> <li>Intake air leaks</li> <li>Heated oxygen sensor 1</li> <li>Injectors</li> <li>Exhaust gas leaks</li> <li>Incorrect fuel pressure</li> <li>Lack of fuel</li> <li>Mass air flow sensor</li> <li>Incorrect PCV hose connection</li> </ul>
P0174 0174 (Bank 2)			

### DTC Confirmation Procedure

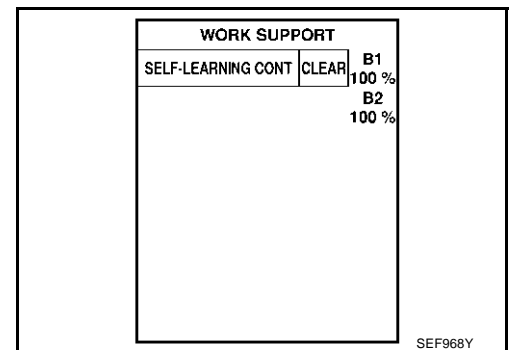
ABS000W5

#### NOTE:

If "DTC Confirmation Procedure" has been previously conducted, always turn ignition switch "OFF" and wait at least 10 seconds before conducting the next test.

#### WITH CONSULT-II

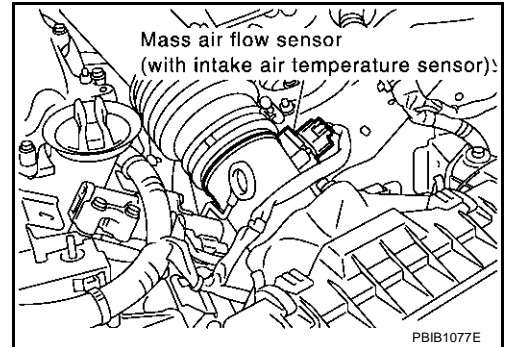
- Start engine and warm it up to normal operating temperature.
- Turn ignition switch "OFF" and wait at least 10 seconds.
- Turn ignition switch "ON" and select "SELF-LEARNING CONT" in "WORK SUPPORT" mode with CONSULT-II.
- Clear the self-learning control coefficient by touching "CLEAR".
- Select "DATA MONITOR" mode with CONSULT-II.
- Start engine again and let it idle for at least 10 minutes. The 1st trip DTC P0171 or P0174 should be detected at this stage, if a malfunction exists. If so, go to "Diagnostic Procedure", [EC-264](#).
- If it is difficult to start engine at step 6, the fuel injection system has a malfunction, too.
- Crank engine while depressing accelerator pedal. If engine starts, go to "Diagnostic Procedure", [EC-264](#). If engine does not start, check exhaust and intake air leak visually.



# DTC P0171, P0174 FUEL INJECTION SYSTEM FUNCTION

## WITH GST

1. Start engine and warm it up to normal operating temperature.
2. Turn ignition switch "OFF" and wait at least 10 seconds.
3. Disconnect mass air flow sensor harness connector. Then restart and run engine for at least 5 seconds at idle speed.
4. Stop engine and reconnect mass air flow sensor harness connector.
5. Select "MODE 3" with GST. Make sure DTC P0102 is detected.
6. Select "MODE 4" with GST and erase the DTC P0102.
7. Start engine again and let it idle for at least 10 minutes.
8. Select "MODE 7" with GST. The 1st trip DTC P0171 or P0174 should be detected at this stage, if a malfunction exists. If so, go to "Diagnostic Procedure", [EC-264](#).
9. If it is difficult to start engine at step 7, the fuel injection system has a malfunction.
10. Crank engine while depressing accelerator pedal. If engine starts, go to "Diagnostic Procedure", [EC-264](#). If engine does not start, check exhaust and intake air leak visually.



A  
EC  
C  
D  
E  
F  
G  
H  
I  
J  
K  
L  
M

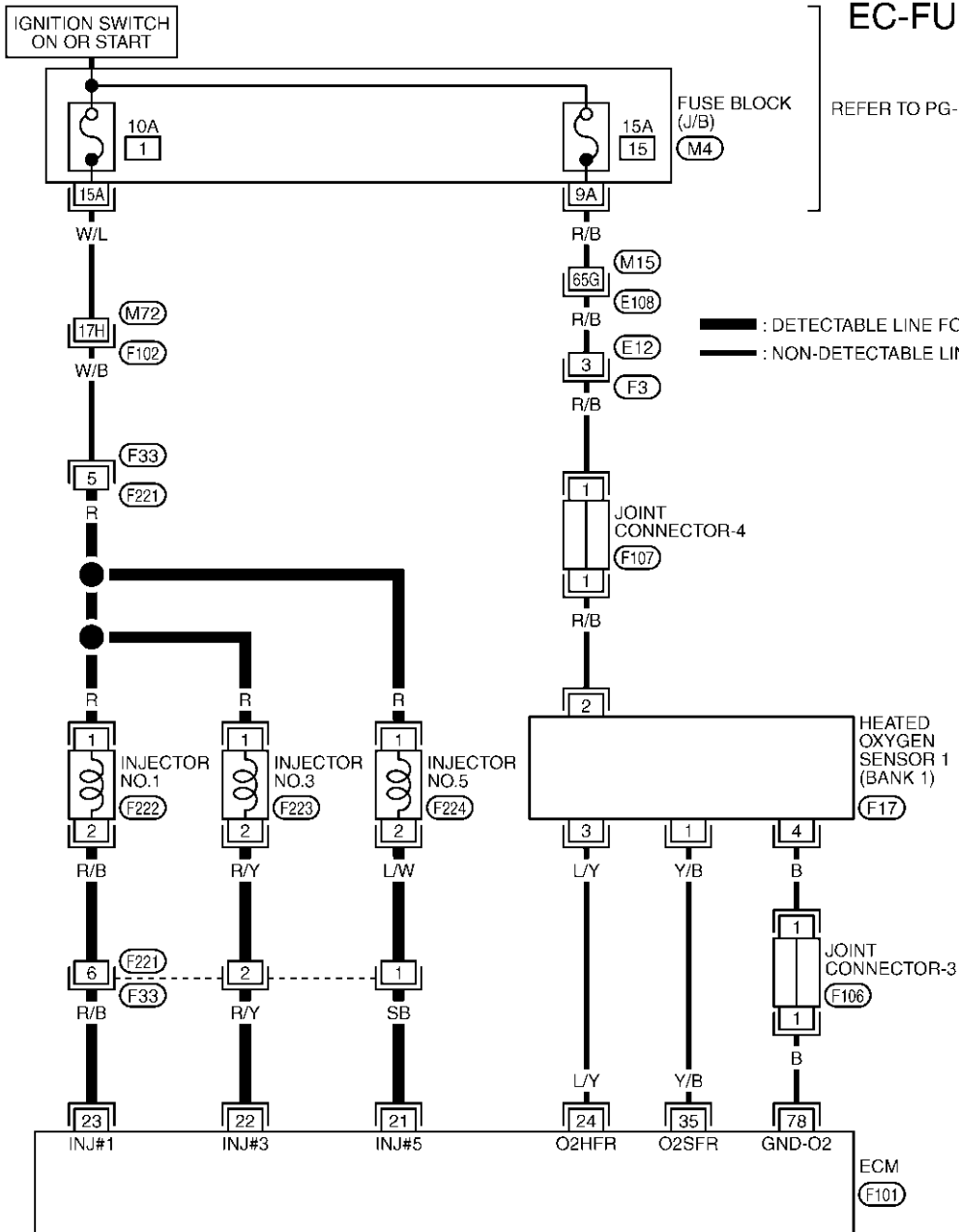
# DTC P0171, P0174 FUEL INJECTION SYSTEM FUNCTION

ABS000W6

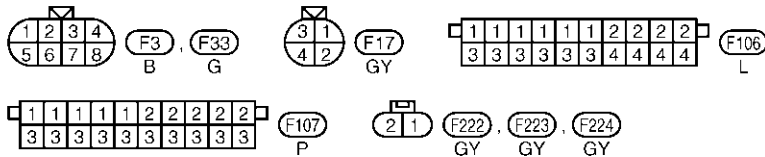
## Wiring Diagram BANK 1

### EC-FUELB1-01

REFER TO PG-POWER.

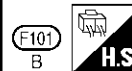
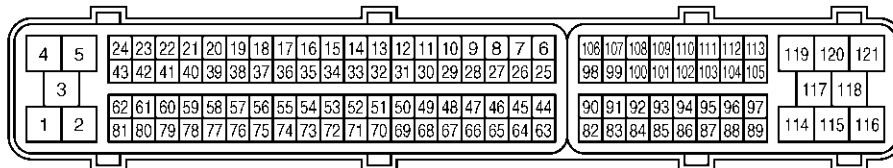


: DETECTABLE LINE FOR DTC  
 : NON-DETECTABLE LINE FOR DTC



REFER TO THE FOLLOWING.

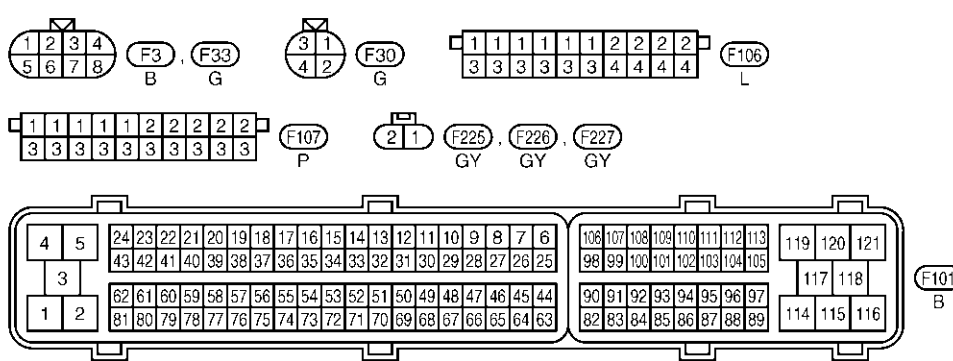
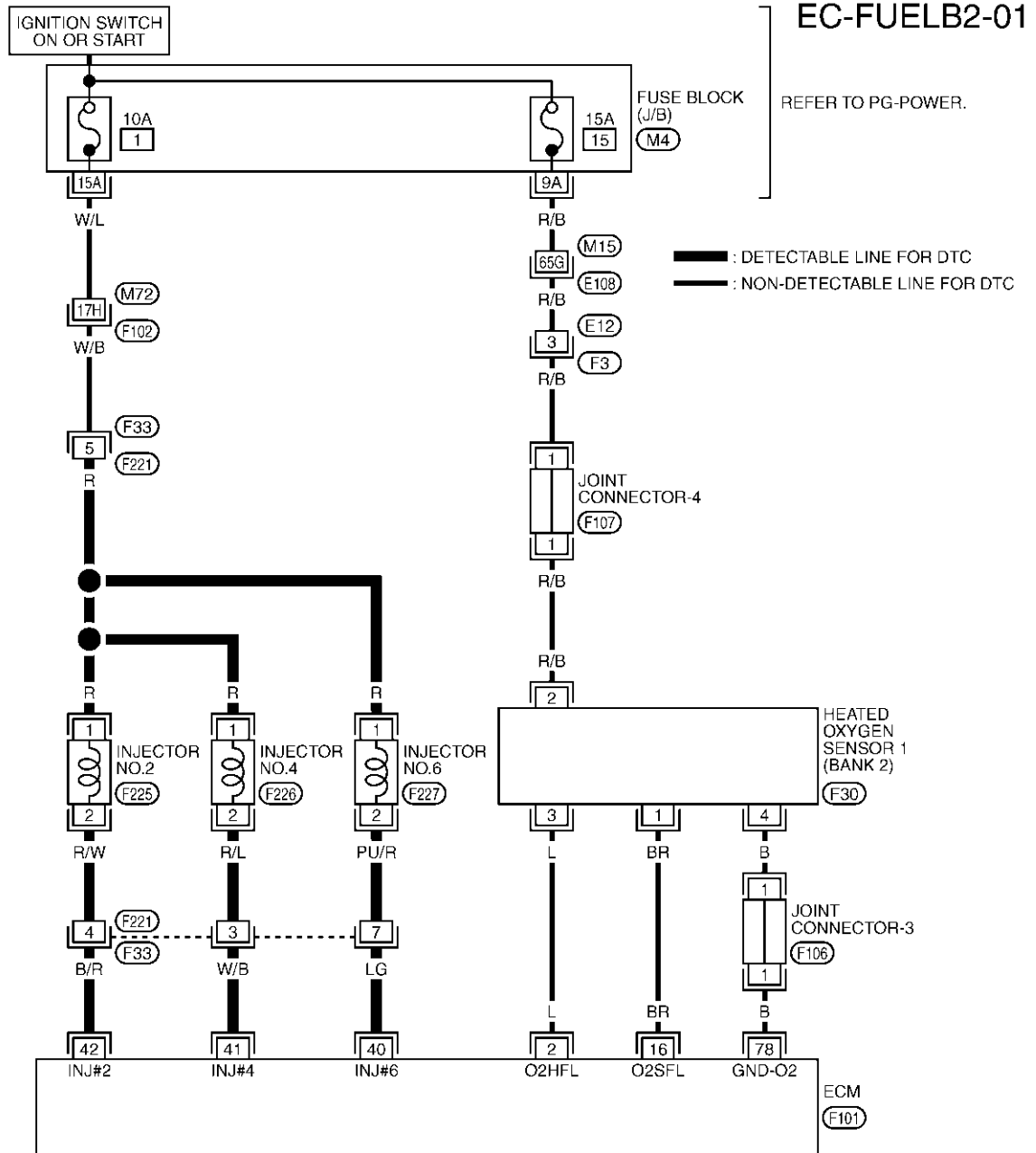
- (E108), (F102) -SUPER MULTIPLE JUNCTION (SMJ)
- (M4) -FUSE BLOCK-JUNCTION BOX (J/B)



TBWT0207E

# DTC P0171, P0174 FUEL INJECTION SYSTEM FUNCTION

## BANK 2



REFER TO THE FOLLOWING.  
 (E108), (F102) -SUPER MULTIPLE JUNCTION (SMJ)  
 (M4) -FUSE BLOCK-JUNCTION BOX (J/B)

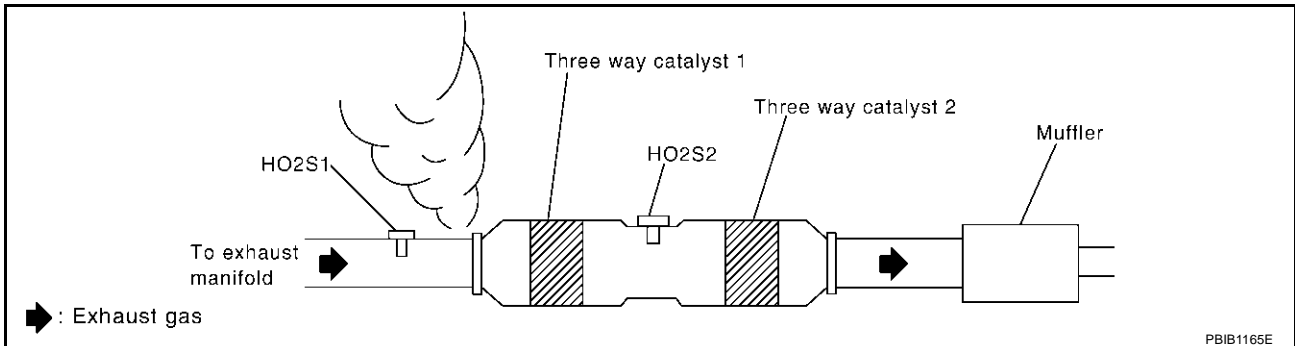
# DTC P0171, P0174 FUEL INJECTION SYSTEM FUNCTION

ABS000W7

## Diagnostic Procedure

### 1. CHECK EXHAUST AIR LEAK

1. Start engine and run it at idle.
2. Listen for an exhaust air leak before three way catalyst 1.



#### OK or NG

- OK >> GO TO 2.
- NG >> Repair or replace.

### 2. CHECK FOR INTAKE AIR LEAK

1. Listen for an intake air leak after the mass air flow sensor.
2. Check PCV hose connection.

#### OK or NG

- OK >> GO TO 3.
- NG >> Repair or replace.



# DTC P0171, P0174 FUEL INJECTION SYSTEM FUNCTION

## 3. CHECK HEATED OXYGEN SENSOR 1 CIRCUIT FOR OPEN AND SHORT

1. Turn ignition switch "OFF".
2. Disconnect corresponding heated oxygen sensor 1 (HO2S1) harness connector.
3. Disconnect ECM harness connector.
4. Check harness continuity between ECM terminal and HO2S1 terminal as follows. Refer to Wiring Diagram.

DTC	Terminals		Bank
	ECM	Sensor	
P0171	35	1	1
P0174	16	1	2

**Continuity should exist.**

5. Check harness continuity between the following terminals and ground. Refer to Wiring Diagram.

DTC	Terminals		Bank
	ECM	Sensor	
P0171	35	1	1
P0174	16	1	2

**Continuity should not exist.**

6. Check harness continuity between HO2S1 terminal 4 and engine ground.

**Continuity should exist.**

7. Also check harness for short to ground or short to power.

OK or NG

- OK >> GO TO 5.
- NG >> GO TO 4.

## 4. DETECT MALFUNCTIONING PART

Check the following.

- Joint connector-3
- Harness for open or short between HO2S1 and ECM

>> Repair open circuit or short to ground or short to power in harness or connectors.

## 5. CHECK FUEL PRESSURE

1. Release fuel pressure to zero. Refer to [EC-53, "FUEL PRESSURE RELEASE"](#) .
2. Install fuel pressure gauge and check fuel pressure. Refer to [EC-54, "FUEL PRESSURE CHECK"](#) .

**At idling: 350 kPa (3.57 kg/cm<sup>2</sup> , 51 psi)**

OK or NG

- OK >> GO TO 7.
- NG >> GO TO 6.

# DTC P0171, P0174 FUEL INJECTION SYSTEM FUNCTION

## 6. DETECT MALFUNCTIONING PART

---

Check the following.

- Fuel pump and circuit (Refer to [EC-599](#) .)
- Fuel pressure regulator (Refer to [EC-54](#) .)
- Fuel lines
- Fuel filter for clogging

>> Repair or replace.

## 7. CHECK MASS AIR FLOW SENSOR

---

### With CONSULT-II

1. Install all removed parts.
2. Check "MASS AIR FLOW" in "DATA MONITOR" mode with CONSULT-II.

**2.0 - 6.0 g-m/sec: at idling**

**7.0 - 20.0 g-m/sec: at 2,500 rpm**

### With GST

1. Install all removed parts.
2. Check mass air flow sensor signal in MODE 1 with GST.

**2.0 - 6.0 g-m/sec: at idling**

**7.0 - 20.0 g-m/sec: at 2,500 rpm**

### OK or NG

OK >> GO TO 8.

NG >> Check connectors for rusted terminals or loose connections in the mass air flow sensor circuit or engine grounds. Refer to [EC-167, "DTC P0101 MAF SENSOR"](#) .

# DTC P0171, P0174 FUEL INJECTION SYSTEM FUNCTION

## 8. CHECK FUNCTION OF INJECTORS

### With CONSULT-II

1. Start engine.
2. Perform "POWER BALANCE" in "ACTIVE TEST" mode with CONSULT-II.
3. Make sure that each circuit produces a momentary engine speed drop.

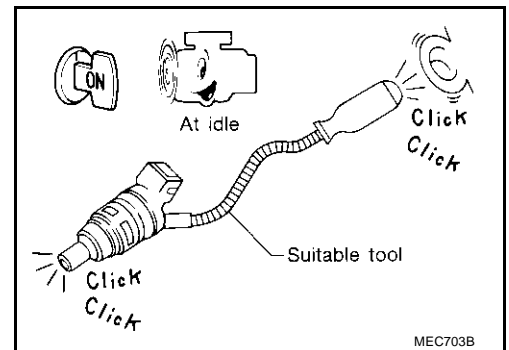
ACTIVE TEST	
POWER BALANCE	
MONITOR	
ENG SPEED	XXX rpm
MAS A/F SE-B1	XXX V

PBIB0133E

### Without CONSULT-II

1. Start engine.
2. Listen to each injector operating sound.

**Clicking noise should be heard.**



### OK or NG

- OK >> GO TO 9.  
NG >> Perform trouble diagnosis for "INJECTORS", [EC-593](#) .

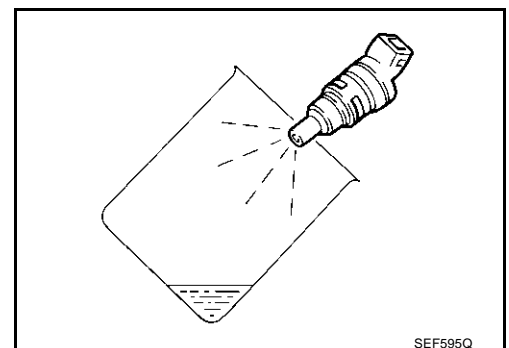
## 9. CHECK INJECTOR

1. Confirm that the engine is cooled down and there are no fire hazards near the vehicle.
2. Turn ignition switch "OFF".
3. Disconnect all injector harness connectors.
4. Remove injector gallery assembly. Refer to [EM-34, "FUEL INJECTOR AND FUEL TUBE"](#) .  
Keep fuel hose and all injectors connected to injector gallery.
5. For DTC P0171, reconnect injector harness connectors on bank 1.  
For DTC P0174, reconnect injector harness connectors on bank 2.
6. Disconnect all ignition coil harness connectors.
7. Prepare pans or saucers under each injector.
8. Crank engine for about 3 seconds.  
For DTC P0171, make sure that fuel sprays out from injectors on bank1.  
For DTC P0174, make sure that fuel sprays out from injectors on bank 2.

**Fuel should be sprayed evenly for each injector.**

### OK or NG

- OK >> GO TO 10.  
NG >> Replace injectors from which fuel does not spray out.  
Always replace O-ring with new ones.



## DTC P0171, P0174 FUEL INJECTION SYSTEM FUNCTION

---

### 10. CHECK INTERMITTENT INCIDENT

---

Refer to [EC-137, "TROUBLE DIAGNOSIS FOR INTERMITTENT INCIDENT"](#) .

>> INSPECTION END

# DTC P0172, P0175 FUEL INJECTION SYSTEM FUNCTION

## DTC P0172, P0175 FUEL INJECTION SYSTEM FUNCTION

PF:16600

### On Board Diagnosis Logic

ABS000W8

With the Air/Fuel Mixture Ratio Self-Learning Control, the actual mixture ratio can be brought closely to the theoretical mixture ratio based on the mixture ratio feedback signal from the heated oxygen sensors 1. The ECM calculates the necessary compensation to correct the offset between the actual and the theoretical ratios.

In case the amount of the compensation value is extremely large (The actual mixture ratio is too rich.), the ECM judges the condition as the fuel injection system malfunction and lights up the MIL (2 trip detection logic).

Sensor	Input signal to ECM	ECM function	Actuator
Heated oxygen sensors 1	Density of oxygen in exhaust gas (Mixture ratio feedback signal)	Fuel injection control	Fuel injectors

DTC No.	Trouble diagnosis name	DTC detecting condition	Possible cause
P0172 0172 (Bank 1)	Fuel injection system too rich	<ul style="list-style-type: none"> <li>Fuel injection system does not operate properly.</li> <li>The amount of mixture ratio compensation is too large. (The mixture ratio is too rich.)</li> </ul>	<ul style="list-style-type: none"> <li>Heated oxygen sensor 1</li> <li>Injectors</li> <li>Exhaust gas leaks</li> <li>Incorrect fuel pressure</li> <li>Mass air flow sensor</li> </ul>
P0175 0175 (Bank 2)			

### DTC Confirmation Procedure

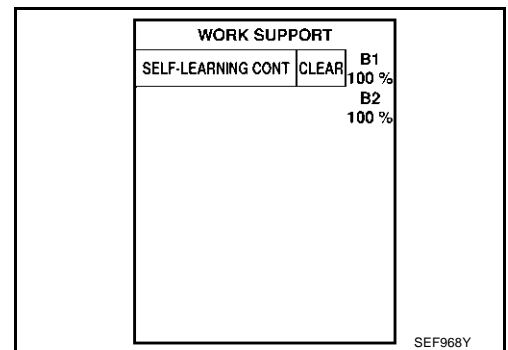
ABS000W9

#### NOTE:

If "DTC Confirmation Procedure" has been previously conducted, always turn ignition switch "OFF" and wait at least 10 seconds before conducting the next test.

#### WITH CONSULT-II

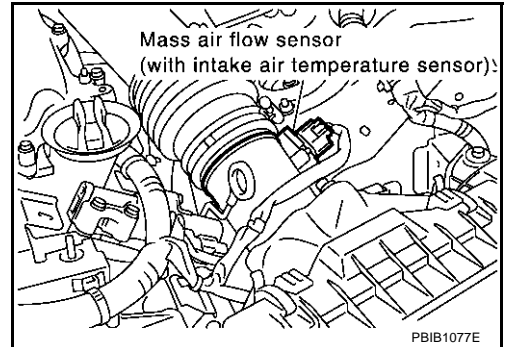
- Start engine and warm it up to normal operating temperature.
- Turn ignition switch "OFF" and wait at least 10 seconds.
- Turn ignition switch "ON" and select "SELF-LEARNING CONT" in "WORK SUPPORT" mode with CONSULT-II.
- Clear the self-learning control coefficient by touching "CLEAR".
- Select "DATA MONITOR" mode with CONSULT-II.
- Start engine again and let it idle for at least 10 minutes. The 1st trip DTC P0172, P0175 should be detected at this stage, if a malfunction exists. If so, go to "Diagnostic Procedure", [EC-273](#).
- If it is difficult to start engine at step 6, the fuel injection system has a malfunction, too.
- Crank engine while depressing accelerator pedal. If engine starts, go to "Diagnostic Procedure", [EC-273](#). If engine does not start, remove ignition plugs and check for fouling, etc.



## DTC P0172, P0175 FUEL INJECTION SYSTEM FUNCTION

### WITH GST

1. Start engine and warm it up to normal operating temperature.
2. Turn ignition switch "OFF" and wait at least 10 seconds.
3. Disconnect mass air flow sensor harness connector. Then restart and run engine for at least 5 seconds at idle speed.
4. Stop engine and reconnect mass air flow sensor harness connector.
5. Select "MODE 3" with GST. Make sure DTC P0102 is detected.
6. Select "MODE 4" with GST and erase the DTC P0102.
7. Start engine again and let it idle for at least 10 minutes.
8. Select "MODE 7" with GST. The 1st trip DTC P0172 or P0175 should be detected at this stage, if a malfunction exists. If so, go to "Diagnostic Procedure", [EC-273](#).
9. If it is difficult to start engine at step 7, the fuel injection system has a malfunction.
10. Crank engine while depressing accelerator pedal.  
If engine starts, go to "Diagnostic Procedure", [EC-273](#). If engine does not start, remove ignition plugs and check for fouling, etc.



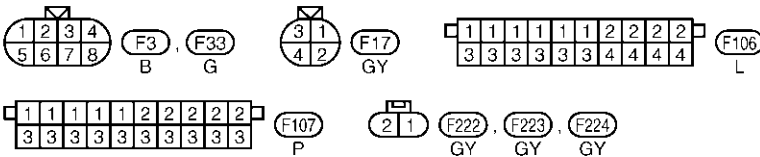
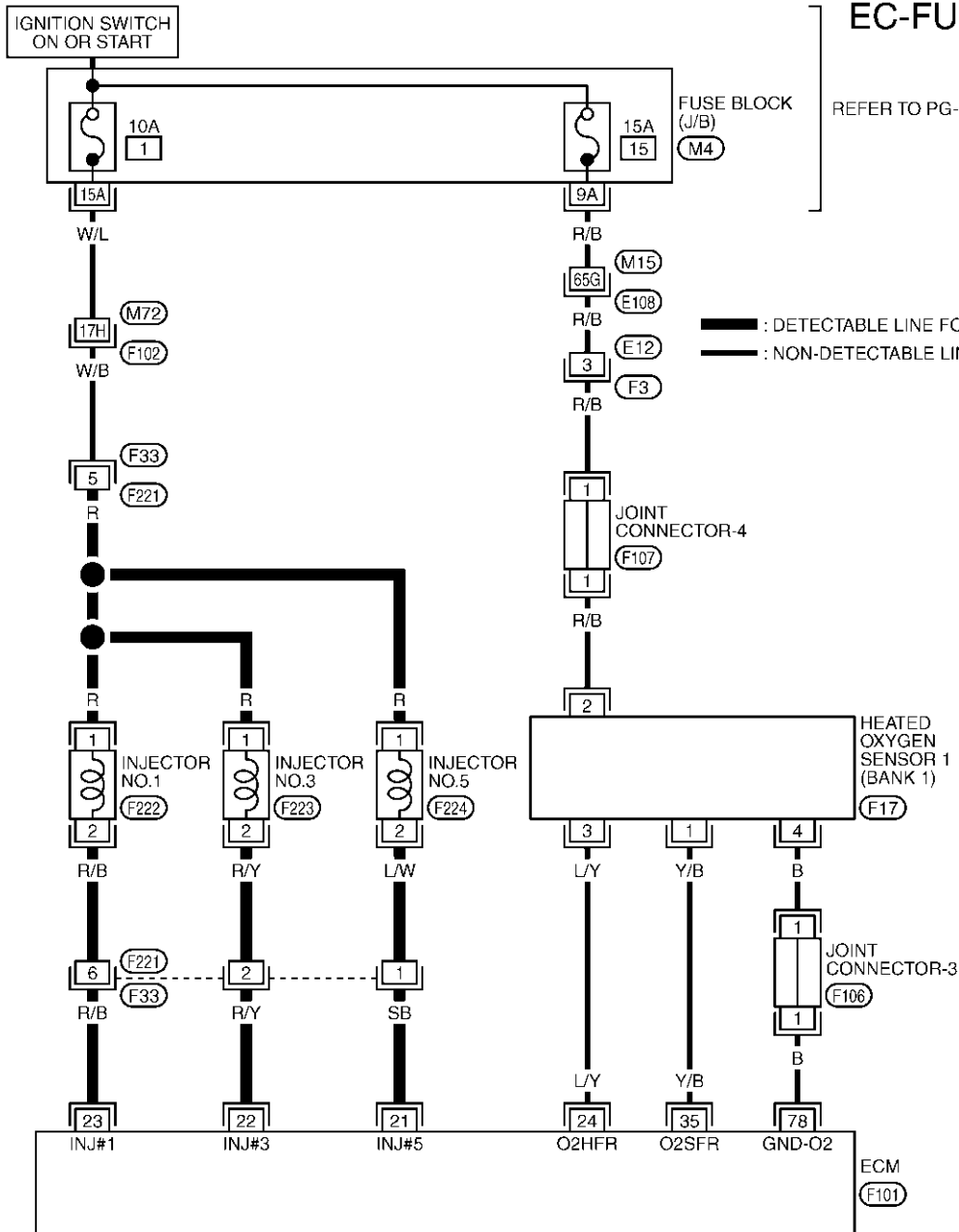
# DTC P0172, P0175 FUEL INJECTION SYSTEM FUNCTION

ABS000WA

## Wiring Diagram BANK 1

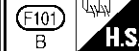
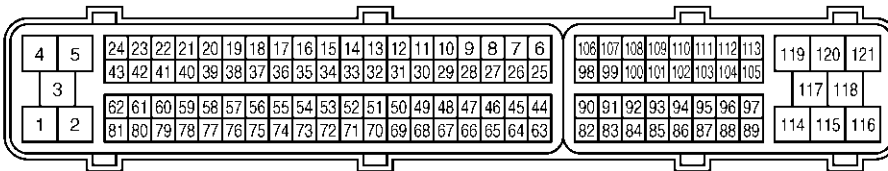
EC-FUELB1-01

REFER TO PG-POWER.



REFER TO THE FOLLOWING.

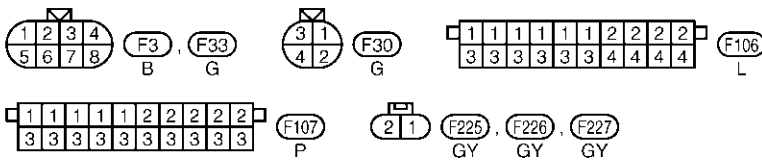
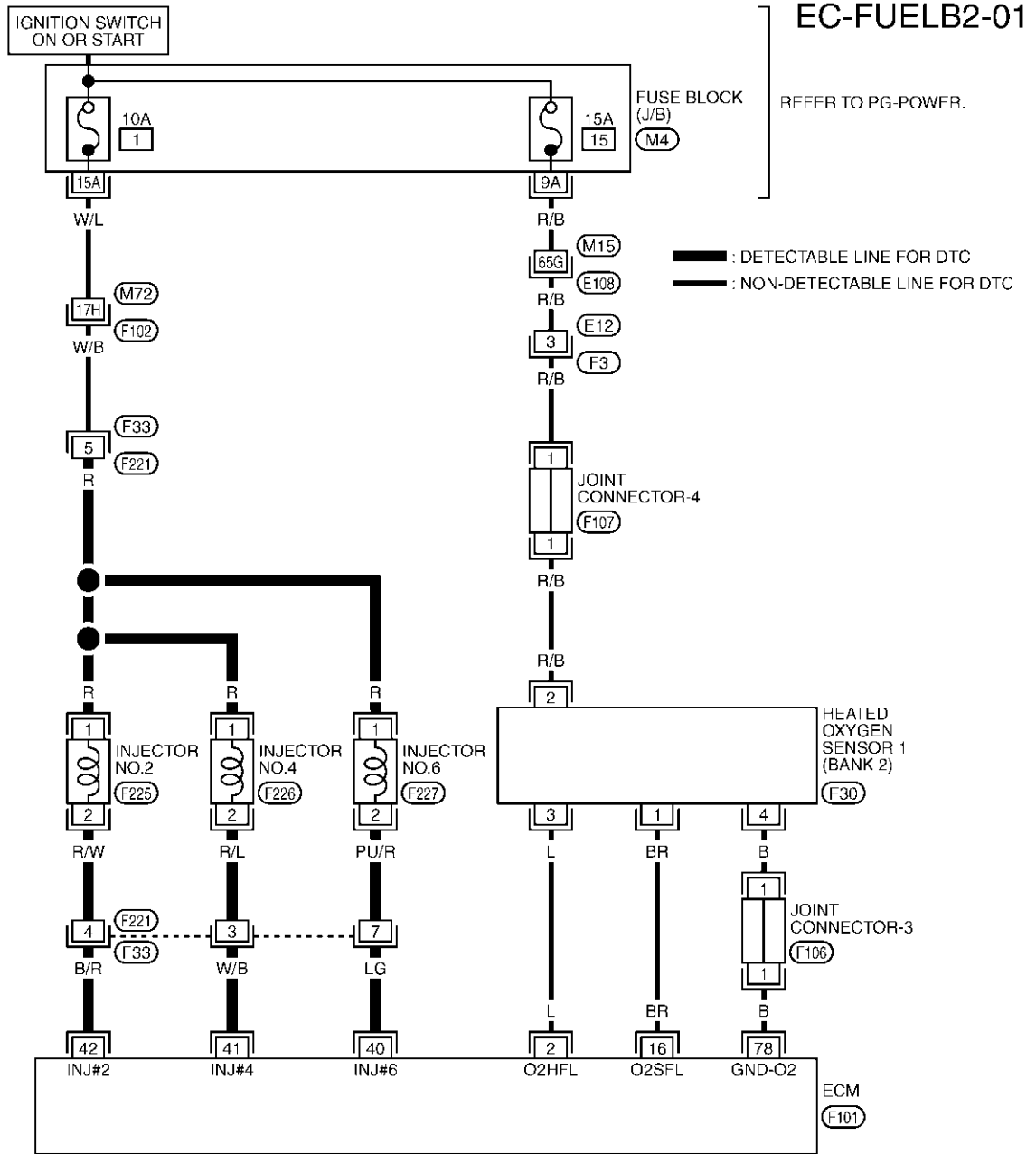
- (E108), (F102) -SUPER MULTIPLE JUNCTION (SMJ)
- (M4) -FUSE BLOCK-JUNCTION BOX (J/B)



TBWT0207E

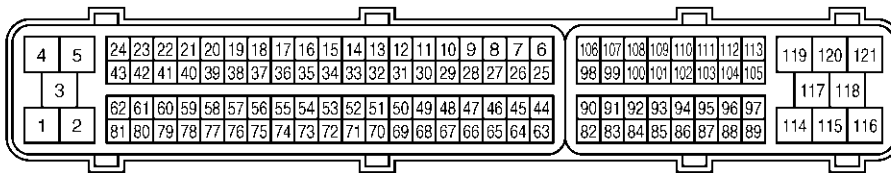
# DTC P0172, P0175 FUEL INJECTION SYSTEM FUNCTION

## BANK 2



REFER TO THE FOLLOWING.

- E108, F102 -SUPER MULTIPLE JUNCTION (SMJ)
- M4 -FUSE BLOCK-JUNCTION BOX (J/B)





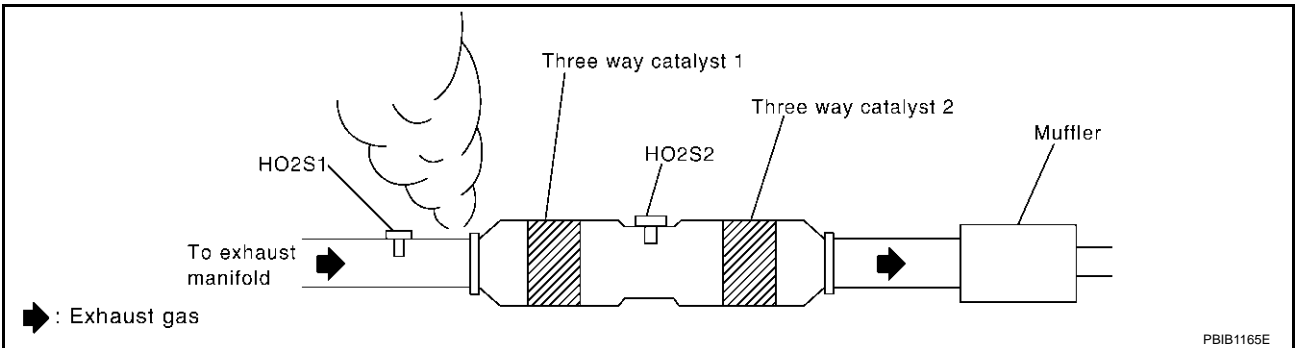
# DTC P0172, P0175 FUEL INJECTION SYSTEM FUNCTION

## Diagnostic Procedure

ABS000WB

### 1. CHECK EXHAUST AIR LEAK

1. Start engine and run it at idle.
2. Listen for an exhaust air leak before three way catalyst 1.



#### OK or NG

- OK >> GO TO 2.
- NG >> Repair or replace.

### 2. CHECK FOR INTAKE AIR LEAK

Listen for an intake air leak after the mass air flow sensor.

#### OK or NG

- OK >> GO TO 3.
- NG >> Repair or replace.

## DTC P0172, P0175 FUEL INJECTION SYSTEM FUNCTION

### 3. CHECK HEATED OXYGEN SENSOR 1 CIRCUIT FOR OPEN AND SHORT

1. Turn ignition switch "OFF".
2. Disconnect corresponding heated oxygen sensor 1 (HO2S1) harness connector.
3. Disconnect ECM harness connector.
4. Check harness continuity between ECM terminal and HO2S1 terminal as follows. Refer to Wiring Diagram.

DTC	Terminals		Bank
	ECM	Sensor	
P0172	35	1	1
P0175	16	1	2

**Continuity should exist.**

5. Check harness continuity between the following terminals and ground. Refer to Wiring Diagram.

DTC	Terminals		Bank
	ECM	Sensor	
P0172	35	1	1
P0175	16	1	2

**Continuity should not exist.**

6. Check harness continuity between HO2S1 terminal 4 and engine ground.

**Continuity should exist.**

7. Also check harness for short to ground or short to power.

OK or NG

- OK >> GO TO 5.
- NG >> GO TO 4.

### 4. DETECT MALFUNCTIONING PART

Check the following.

- Joint connector-3
- Harness for open or short between HO2S1 and ECM

>> Repair open circuit or short to ground or short to power in harness or connectors.

### 5. CHECK FUEL PRESSURE

1. Release fuel pressure to zero. Refer to [EC-53, "FUEL PRESSURE RELEASE"](#).
2. Install fuel pressure gauge and check fuel pressure. Refer to [EC-54, "FUEL PRESSURE CHECK"](#).

**At idling: 350 kPa (3.57 kg/cm<sup>2</sup>, 51 psi)**

OK or NG

- OK >> GO TO 7.
- NG >> GO TO 6.

# DTC P0172, P0175 FUEL INJECTION SYSTEM FUNCTION

## 6. DETECT MALFUNCTIONING PART

Check the following.

- Fuel pump and circuit (Refer to, [EC-599](#) .)
- Fuel pressure regulator (Refer to [EC-54](#) .)

>> Repair or replace.

## 7. CHECK MASS AIR FLOW SENSOR

### With CONSULT-II

1. Install all removed parts.
2. Check "MASS AIR FLOW" in "DATA MONITOR" mode with CONSULT-II.

**2.0 - 6.0 g-m/sec: at idling**

**7.0 - 20.0 g-m/sec: at 2,500 rpm**

### With GST

1. Install all removed parts.
2. Check mass air flow sensor signal in MODE 1 with GST.

**2.0 - 6.0 g-m/sec: at idling**

**7.0 - 20.0 g-m/sec: at 2,500 rpm**

OK or NG

OK >> GO TO 8.

NG >> Check connectors for rusted terminals or loose connections in the mass air flow sensor circuit or engine grounds. Refer to [EC-167, "DTC P0101 MAF SENSOR"](#) .

A

EC

C

D

E

F

G

H

I

J

K

L

M

# DTC P0172, P0175 FUEL INJECTION SYSTEM FUNCTION

## 8. CHECK FUNCTION OF INJECTORS

### ☐ With CONSULT-II

1. Start engine.
2. Perform "POWER BALANCE" in "ACTIVE TEST" mode with CONSULT-II.
3. Make sure that each circuit produces a momentary engine speed drop.

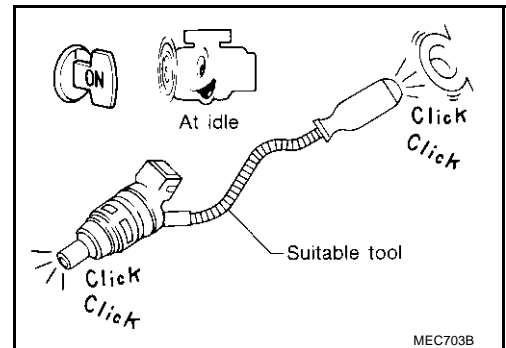
ACTIVE TEST	
POWER BALANCE	
MONITOR	
ENG SPEED	XXX rpm
MAS A/F SE-B1	XXX V

PBIB0133E

### ⊗ Without CONSULT-II

1. Start engine.
2. Listen to each injector operating sound.

**Clicking noise should be heard.**



### OK or NG

- OK >> GO TO 9.  
NG >> Perform trouble diagnosis for "INJECTORS", [EC-593](#) .

## 9. CHECK INJECTOR

1. Remove injector assembly. Refer to [EM-34, "FUEL INJECTOR AND FUEL TUBE"](#) .  
Keep fuel hose and all injectors connected to injector gallery.
2. Confirm that the engine is cooled down and there are no fire hazards near the vehicle.
3. Disconnect all injector harness connectors.
4. Disconnect all ignition coil harness connectors.
5. Prepare pans or saucers under each injectors.
6. Crank engine for about 3 seconds.  
Make sure fuel does not drip from injector.

### OK or NG

- OK (Does not drip.)>>GO TO 10.  
NG (Drips.)>>Replace the injectors from which fuel is dripping. Always replace O-ring with new one.

## 10. CHECK INTERMITTENT INCIDENT

Refer to [EC-137, "TROUBLE DIAGNOSIS FOR INTERMITTENT INCIDENT"](#) .

>> INSPECTION END

# DTC P0181 FTT SENSOR

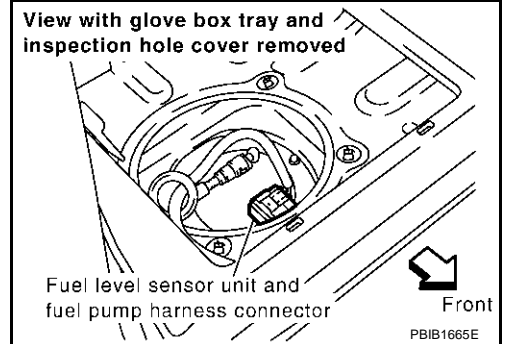
## DTC P0181 FTT SENSOR

PFP:22630

### Component Description

ABS000WC

The fuel tank temperature sensor is used to detect the fuel temperature inside the fuel tank. The sensor modifies a voltage signal from the ECM. The modified signal returns to the ECM as the fuel temperature input. The sensor uses a thermistor which is sensitive to the change in temperature. The electrical resistance of the thermistor decreases as temperature increases.



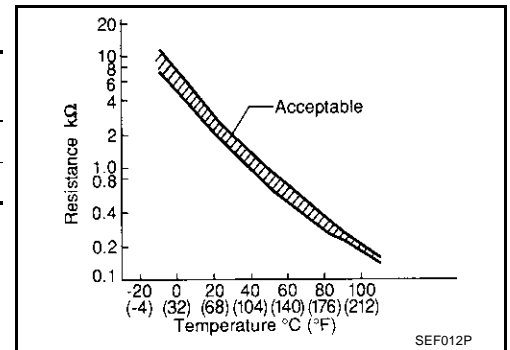
### <Reference data>

Fluid temperature °C (°F)	Voltage* V	Resistance kΩ
20 (68)	3.5	2.3 - 2.7
50 (122)	2.2	0.79 - 0.90

\*: These data are reference values and are measured between ECM terminal 107 (Fuel tank temperature sensor) and ground.

### CAUTION:

**Do not use ECM ground terminals when measuring input/output voltage. Doing so may result in damage to the ECM's transistor. Use a ground other than ECM terminals, such as the ground.**



### On Board Diagnosis Logic

ABS000WD

DTC No.	Trouble diagnosis name	DTC detecting condition	Possible cause
P0181 0181	Fuel tank temperature sensor circuit range/performance	Rationally incorrect voltage from the sensor is sent to ECM, compared with the voltage signals from engine coolant temperature sensor and intake air temperature sensor.	<ul style="list-style-type: none"> <li>● Harness or connectors (The sensor circuit is open or shorted)</li> <li>● Fuel tank temperature sensor</li> </ul>

### DTC Confirmation Procedure

ABS000WE

#### NOTE:

If "DTC Confirmation Procedure" has been previously conducted, always turn ignition switch "OFF" and wait at least 10 seconds before conducting the next test.

#### WITH CONSULT-II

1. Turn ignition switch "ON".
2. Select "DATA MONITOR" mode with CONSULT-II.
3. Wait at least 10 seconds.  
If the result is NG, go to [EC-280, "Diagnostic Procedure"](#).  
If the result is OK, go to following step.
4. Check "COOLAN TEMP/S" value.  
If "COOLAN TEMP/S" is less than 60°C (140°F), the result will be OK.  
If "COOLAN TEMP/S" is above 60°C (140°F), go to the following step.
5. Cool engine down until "COOLAN TEMP/S" is less than 60°C (140°F).
6. Wait at least 10 seconds.
7. If 1st trip DTC is detected, go to [EC-280, "Diagnostic Procedure"](#).

## DTC P0181 FTT SENSOR

---

### WITH GST

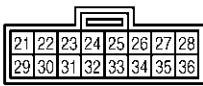
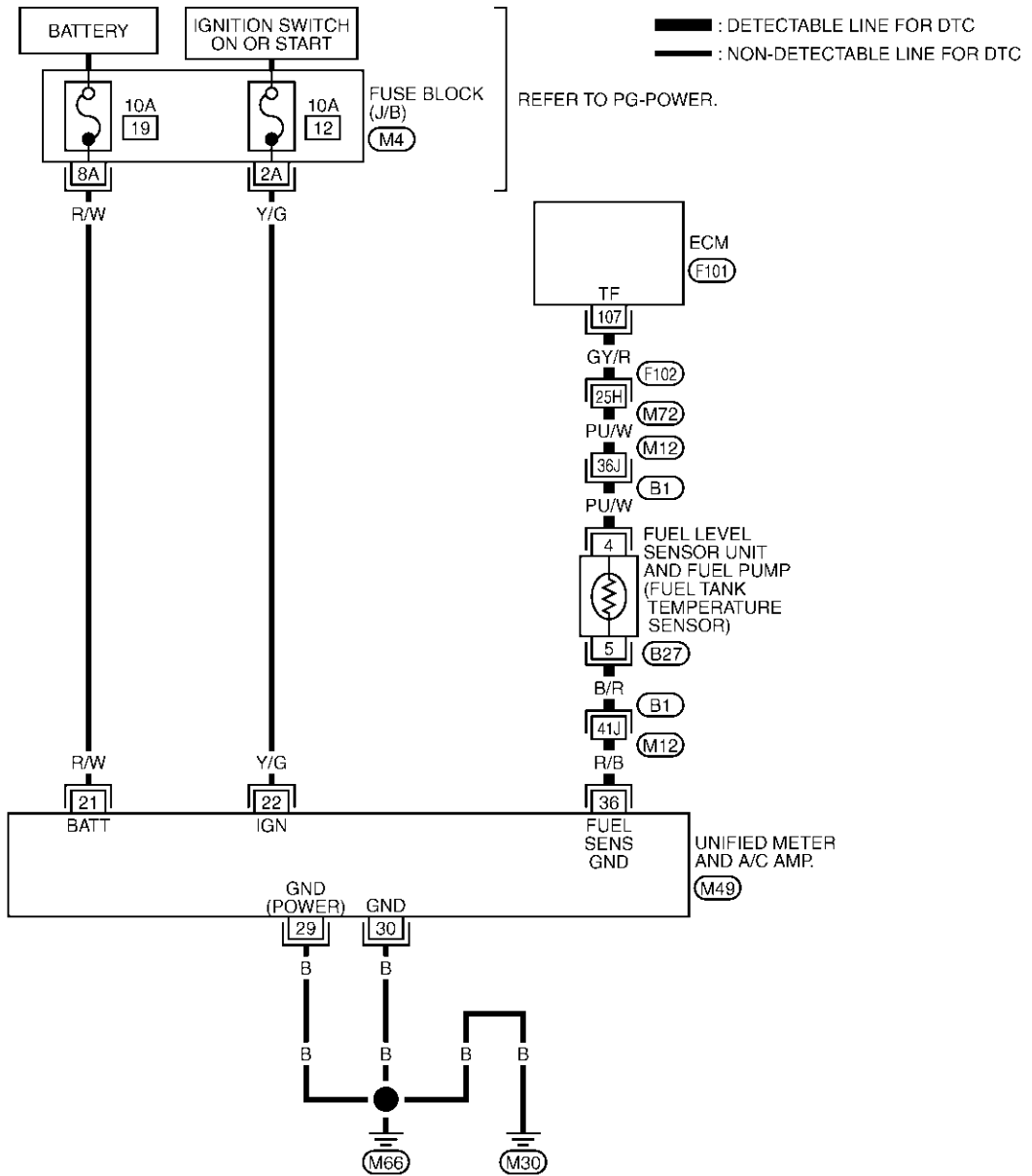
Follow the procedure "WITH CONSULT-II" above.

# DTC P0181 FTT SENSOR

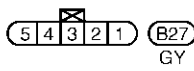
## Wiring Diagram

ABS000WF

EC-FTTS-01



(M49)  
GY

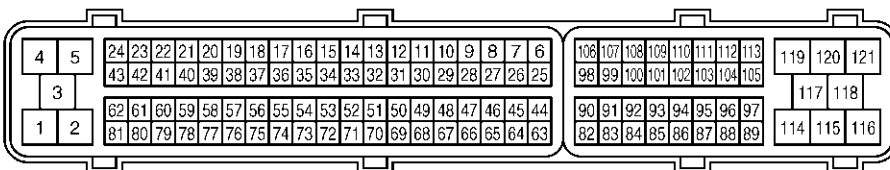


(B27)  
GY

REFER TO THE FOLLOWING.

(F102), (B1) -SUPER MULTIPLE JUNCTION (SMJ)

(M4) -FUSE BLOCK-JUNCTION BOX (J/B)



(F101)  
B



TBWT0209E

# DTC P0181 FTT SENSOR

ABS000WG

## Diagnostic Procedure

### 1. CHECK DTC WITH UNIFIED METER AND A/C AMP.

Refer to [DI-65, "SELF-DIAGNOSIS RESULTS"](#).

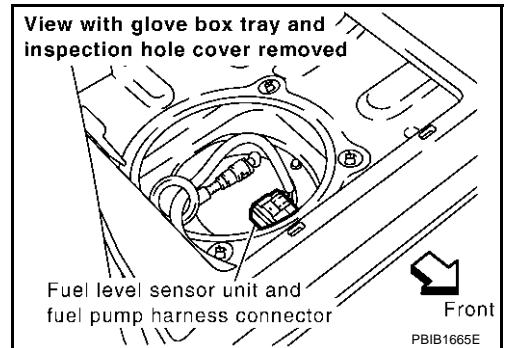
OK or NG

OK >> GO TO 2.

NG >> Go to [DI-21, "Fuel Level Sensor Signal Inspection 3"](#).

### 2. CHECK FUEL TANK TEMPERATURE SENSOR POWER SUPPLY CIRCUIT

1. Turn ignition switch "OFF".
2. Disconnect "fuel level sensor unit and fuel pump" harness connector.
3. Turn ignition switch "ON".



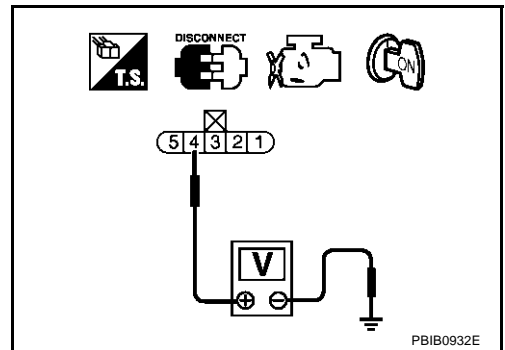
4. Check voltage between "fuel level sensor unit and fuel pump" terminal 4 and ground with CONSULT-II or tester.

**Voltage: Approximately 5V**

OK or NG

OK >> GO TO 4.

NG >> GO TO 3.



### 3. DETECT MALFUNCTIONING PART

Check the following.

- Harness connectors M72, F102
- Harness connectors B1, M12
- Harness for open or short between ECM and "fuel level sensor unit and fuel pump"

>> Repair harness or connector.

### 4. CHECK FUEL TANK TEMPERATURE SENSOR GROUND CIRCUIT FOR OPEN AND SHORT

1. Turn ignition switch "OFF".
2. Disconnect "unified meter and A/C amp." harness connector.
3. Check harness continuity between "fuel level sensor unit and fuel pump" terminal 5 and "unified meter and A/C amp." terminal 36. Refer to Wiring Diagram.

**Continuity should exist.**

4. Also check harness for short to power.

OK or NG

OK >> GO TO 6.

NG >> GO TO 5.



# DTC P0181 FTT SENSOR

## 5. DETECT MALFUNCTIONING PART

Check the following.

- Harness connectors B1, M12
- Harness for open or short between “fuel level sensor unit and fuel pump” and “unified meter and A/C amp.”

>> Repair open circuit or short to power in harness or connector.

## 6. CHECK FUEL TANK TEMPERATURE SENSOR

Refer to [EC-281, "Component Inspection"](#) .

OK or NG

- OK >> GO TO 7.
- NG >> Replace fuel level sensor unit.

## 7. CHECK INTERMITTENT INCIDENT

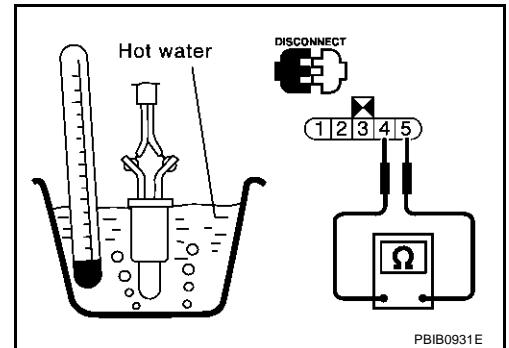
Refer to [EC-137, "TROUBLE DIAGNOSIS FOR INTERMITTENT INCIDENT"](#) .

>> INSPECTION END

### Component Inspection FUEL TANK TEMPERATURE SENSOR

1. Remove fuel level sensor unit.
2. Check resistance between “fuel level sensor unit and fuel pump” terminals 4 and 5 by heating with hot water or heat gun as shown in the figure.

Temperature °C (°F)	Resistance kΩ
20 (68)	2.3 - 2.7
50 (122)	0.79 - 0.90



### Removal and Installation FUEL TANK TEMPERATURE SENSOR

Refer to [FL-5, "FUEL LEVEL SENSOR UNIT, FUEL FILTER AND FUEL PUMP ASSEMBLY"](#) .

# DTC P0182, P0183 FTT SENSOR

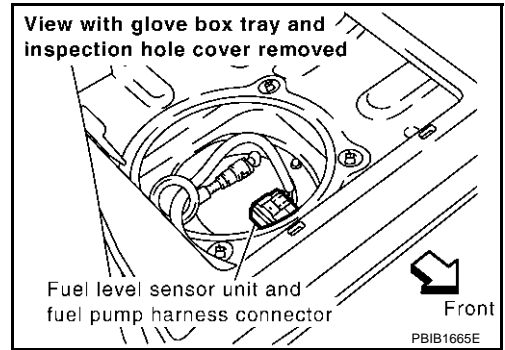
## DTC P0182, P0183 FTT SENSOR

PFP:22630

### Component Description

ABS000WJ

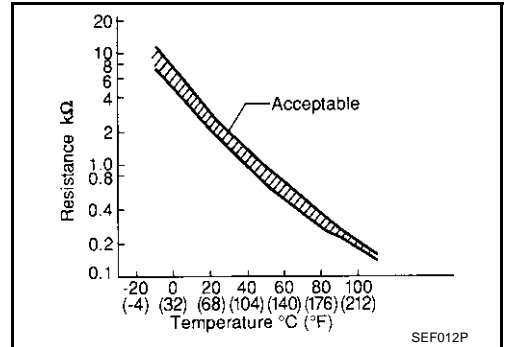
The fuel tank temperature sensor is used to detect the fuel temperature inside the fuel tank. The sensor modifies a voltage signal from the ECM. The modified signal returns to the ECM as the fuel temperature input. The sensor uses a thermistor which is sensitive to the change in temperature. The electrical resistance of the thermistor decreases as temperature increases.



### <Reference data>

Fluid temperature °C (°F)	Voltage* V	Resistance kΩ
20 (68)	3.5	2.3 - 2.7
50 (122)	2.2	0.79 - 0.90

\*: These data are reference values and are measured between ECM terminal 107 (Fuel tank temperature sensor) and ground.



### CAUTION:

**Do not use ECM ground terminals when measuring input/output voltage. Doing so may result in damage to the ECM's transistor. Use a ground other than ECM terminals, such as the ground.**

### On Board Diagnosis Logic

ABS000WK

DTC No.	Trouble diagnosis name	DTC detecting condition	Possible cause
P0182 0182	Fuel tank temperature sensor circuit low input	An excessively low voltage from the sensor is sent to ECM.	<ul style="list-style-type: none"> <li>● Harness or connectors (The sensor circuit is open or shorted.)</li> <li>● Fuel tank temperature sensor</li> </ul>
P0183 0183	Fuel tank temperature sensor circuit high input	An excessively high voltage from the sensor is sent to ECM.	

### DTC Confirmation Procedure

ABS000WL

#### NOTE:

If "DTC Confirmation Procedure" has been previously conducted, always turn ignition switch "OFF" and wait at least 10 seconds before conducting the next test.

#### WITH CONSULT-II

1. Turn ignition switch "ON".
2. Select "DATA MONITOR" mode with CONSULT-II.
3. Wait at least 5 seconds.
4. If 1st trip DTC is detected, go to [EC-284, "Diagnostic Procedure"](#)

#### WITH GST

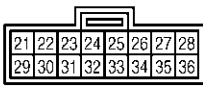
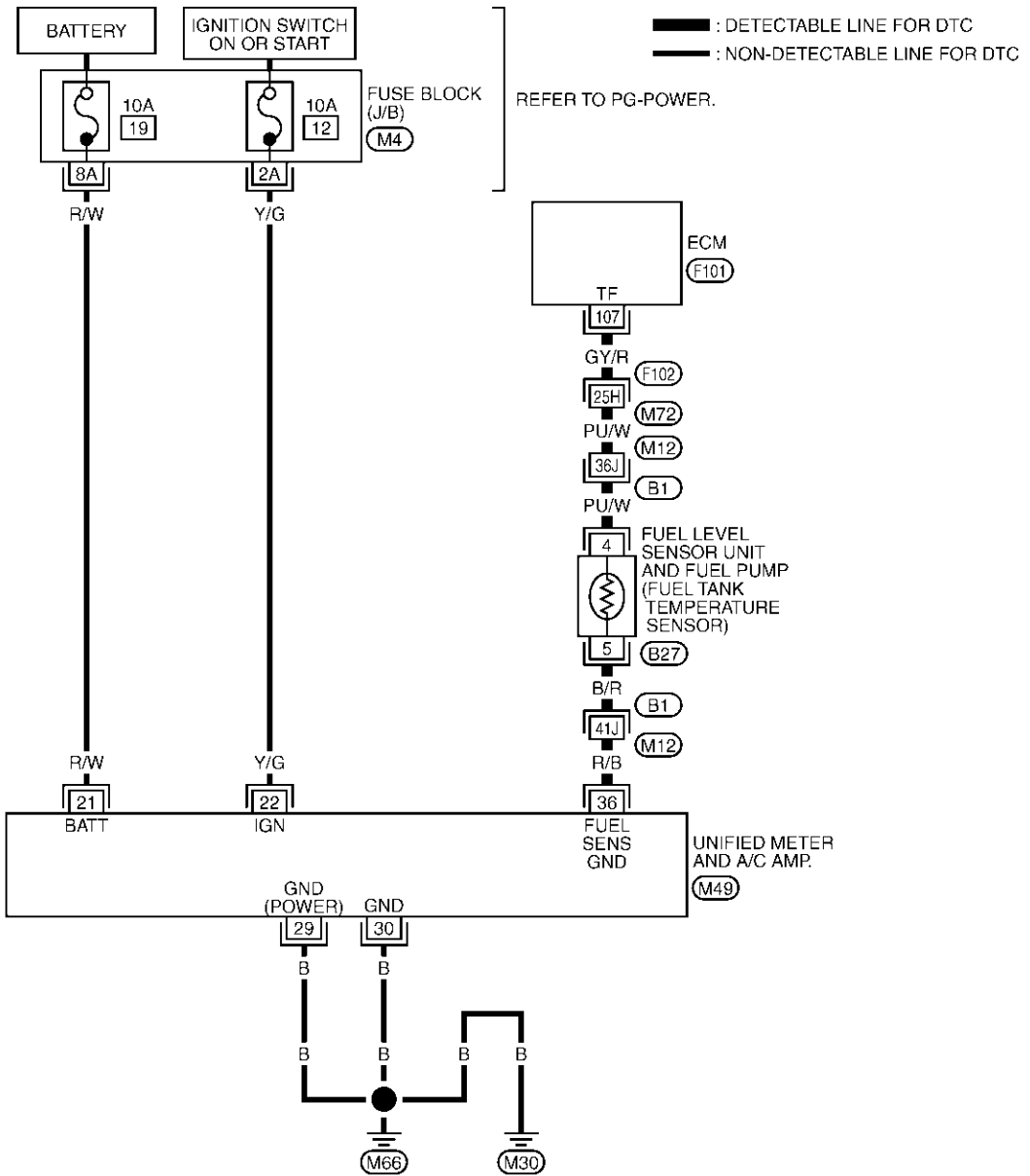
Follow the procedure "With CONSULT-II" above.

# DTC P0182, P0183 FTT SENSOR

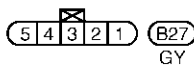
## Wiring Diagram

ABS000WM

### EC-FTTS-01



M49  
GY

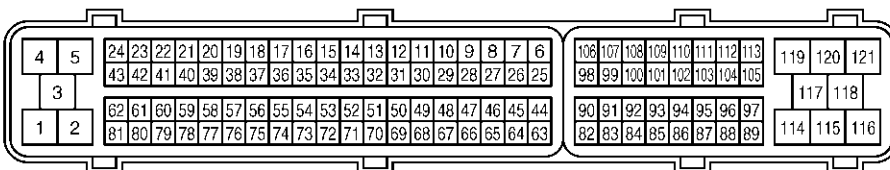


B27  
GY

REFER TO THE FOLLOWING.

F102, B1 -SUPER MULTIPLE JUNCTION (SMJ)

M4 -FUSE BLOCK-JUNCTION BOX (J/B)



F101  
B



TBWT0209E

# DTC P0182, P0183 FTT SENSOR

ABS000WN

## Diagnostic Procedure

### 1. CHECK DTC WITH UNIFIED METER AND A/C AMP.

Refer to [DI-65, "SELF-DIAGNOSIS RESULTS"](#).

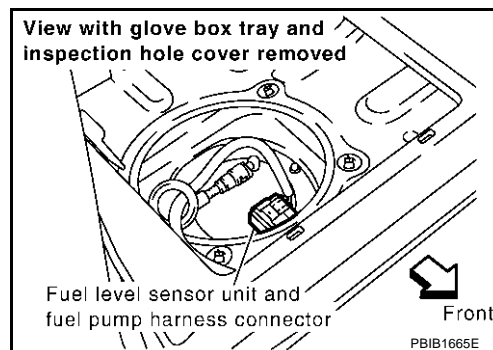
OK or NG

OK >> GO TO 2.

NG >> Go to [DI-21, "Fuel Level Sensor Signal Inspection 3"](#).

### 2. CHECK FUEL TANK TEMPERATURE SENSOR POWER SUPPLY CIRCUIT

1. Turn ignition switch "OFF".
2. Disconnect "fuel level sensor unit and fuel pump" harness connector.
3. Turn ignition switch "ON".



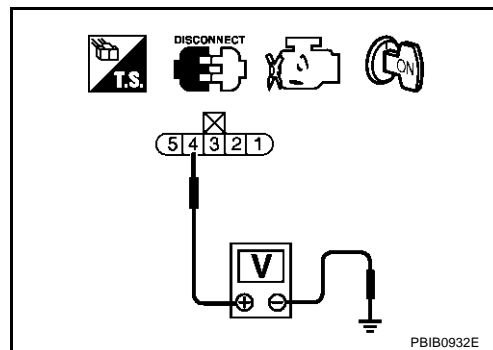
4. Check voltage between "fuel level sensor unit and fuel pump" terminal 4 and ground with CONSULT-II or tester.

**Voltage: Approximately 5V**

OK or NG

OK >> GO TO 4.

NG >> GO TO 3.



### 3. DETECT MALFUNCTIONING PART

Check the following.

- Harness connectors M72, F102
- Harness connectors B1, M12
- Harness for open or short between ECM and "fuel level sensor unit and fuel pump"

>> Repair harness or connector.

### 4. CHECK FUEL TANK TEMPERATURE SENSOR GROUND CIRCUIT FOR OPEN AND SHORT

1. Turn ignition switch "OFF".
2. Disconnect "unified meter and A/C amp." harness connector.
3. Check harness continuity between "fuel level sensor unit and fuel pump" terminal 5 and "unified meter and A/C amp." terminal 36. Refer to Wiring Diagram.

**Continuity should exist.**

4. Also check harness for short to power.

OK or NG

OK >> GO TO 6.

NG >> GO TO 5.

# DTC P0182, P0183 FTT SENSOR

## 5. DETECT MALFUNCTIONING PART

Check the following.

- Harness connectors B1, M12
- Harness for open or short between “fuel level sensor unit and fuel pump” and “unified meter and A/C amp.”

>> Repair open circuit or short to power in harness or connector.

## 6. CHECK FUEL TANK TEMPERATURE SENSOR

Refer to [EC-281, "Component Inspection"](#) .

OK or NG

- OK >> GO TO 7.
- NG >> Replace fuel level sensor unit.

## 7. CHECK INTERMITTENT INCIDENT

Refer to [EC-137, "TROUBLE DIAGNOSIS FOR INTERMITTENT INCIDENT"](#) .

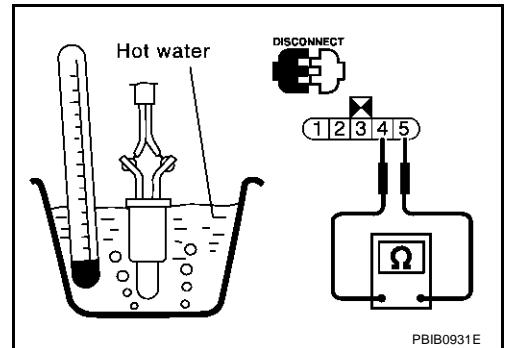
>> INSPECTION END

### Component Inspection FUEL TANK TEMPERATURE SENSOR

ABS000WO

1. Remove fuel level sensor unit.
2. Check resistance between “fuel level sensor unit and fuel pump” terminals 4 and 5 by heating with hot water or heat gun as shown in the figure.

Temperature °C (°F)	Resistance kΩ
20 (68)	2.3 - 2.7
50 (122)	0.79 - 0.90



ABS000WP

### Removal and Installation FUEL TANK TEMPERATURE SENSOR

Refer to [FL-5, "FUEL LEVEL SENSOR UNIT, FUEL FILTER AND FUEL PUMP ASSEMBLY"](#) .

# DTC P0222, P0223 TP SENSOR

PDF:16119

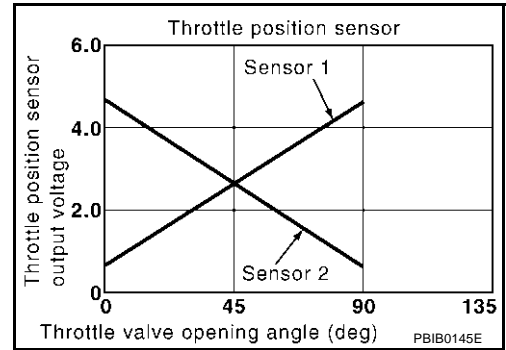
## DTC P0222, P0223 TP SENSOR

### Component Description

ABS000WY

Electric Throttle Control Actuator consists of throttle control motor, throttle position sensor, etc. The throttle position sensor responds to the throttle valve movement.

The throttle position sensor has the two sensors. These sensors are a kind of potentiometers which transform the throttle valve position into output voltage, and emit the voltage signal to the ECM. In addition, these sensors detect the opening and closing speed of the throttle valve and feed the voltage signals to the ECM. The ECM judges the current opening angle of the throttle valve from these signals and the ECM controls the throttle control motor to make the throttle valve opening angle properly in response to driving condition.



### CONSULT-II Reference Value in Data Monitor Mode

ABS002VU

Specification data are reference values.

MONITOR ITEM	CONDITION		SPECIFICATION
THRTL SEN1 THRTL SEN2*	<ul style="list-style-type: none"> <li>Ignition switch: ON (Engine stopped)</li> <li>Shift lever: D (A/T), 1st (M/T)</li> </ul>	Accelerator pedal: Fully released	More than 0.36V
		Accelerator pedal: Fully depressed	Less than 4.75V

\*: Throttle position sensor 2 signal is converted by ECM internally. Thus, it differs from ECM terminal voltage signal.

### On Board Diagnosis Logic

ABS000X0

These self-diagnoses have the one trip detection logic.

DTC No.	Trouble diagnosis name	DTC detecting condition	Possible cause
P0222 0222	Throttle position sensor 1 circuit low input	An excessively low voltage from the TP sensor 1 is sent to ECM.	<ul style="list-style-type: none"> <li>Harness or connectors (TP sensor 1 circuit is open or shorted.) (APP sensor 2 circuit is shorted.)</li> <li>Electric throttle control actuator (TP sensor 1)</li> <li>Accelerator pedal position sensor (APP sensor 2)</li> </ul>
P0223 0223	Throttle position sensor 1 circuit high input	An excessively high voltage from the TP sensor 1 is sent to ECM.	

### FAIL-SAFE MODE

When the malfunction is detected, ECM enters fail-safe mode and the MIL lights up.

#### Engine operation condition in fail-safe mode

The ECM controls the electric throttle control actuator in regulating the throttle opening in order for the idle position to be within +10 degrees.

The ECM regulates the opening speed of the throttle valve to be slower than the normal condition.

So, the acceleration will be poor.

# DTC P0222, P0223 TP SENSOR

ABS000X1

## DTC Confirmation Procedure

### NOTE:

If "DTC Confirmation Procedure" has been previously conducted, always turn ignition switch "OFF" and wait at least 10 seconds before conducting the next test.

### TESTING CONDITION:

Before performing the following procedure, confirm that battery voltage is more than 10V at idle.

### WITH CONSULT-II

1. Turn ignition switch "ON".
2. Select "DATA MONITOR" mode with CONSULT-II.
3. Start engine and let it idle for 1 second.
4. If DTC is detected, go to [EC-289, "Diagnostic Procedure"](#) .

DATA MONITOR	
MONITOR	NO DTC
ENG SPEED	XXX rpm

SEF058Y

### WITH GST

Follow the procedure "WITH CONSULT-II" above.

A  
EC  
C  
D  
E  
F  
G  
H  
I  
J  
K  
L  
M

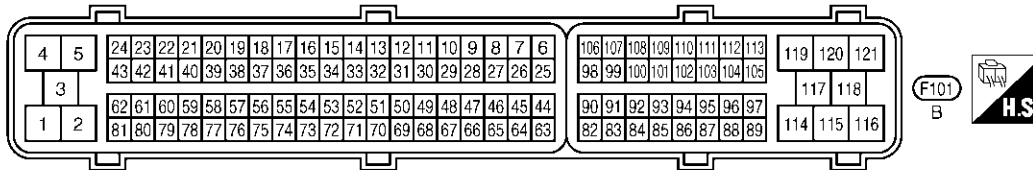
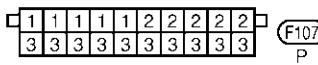
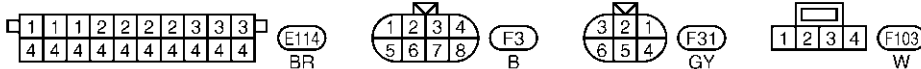
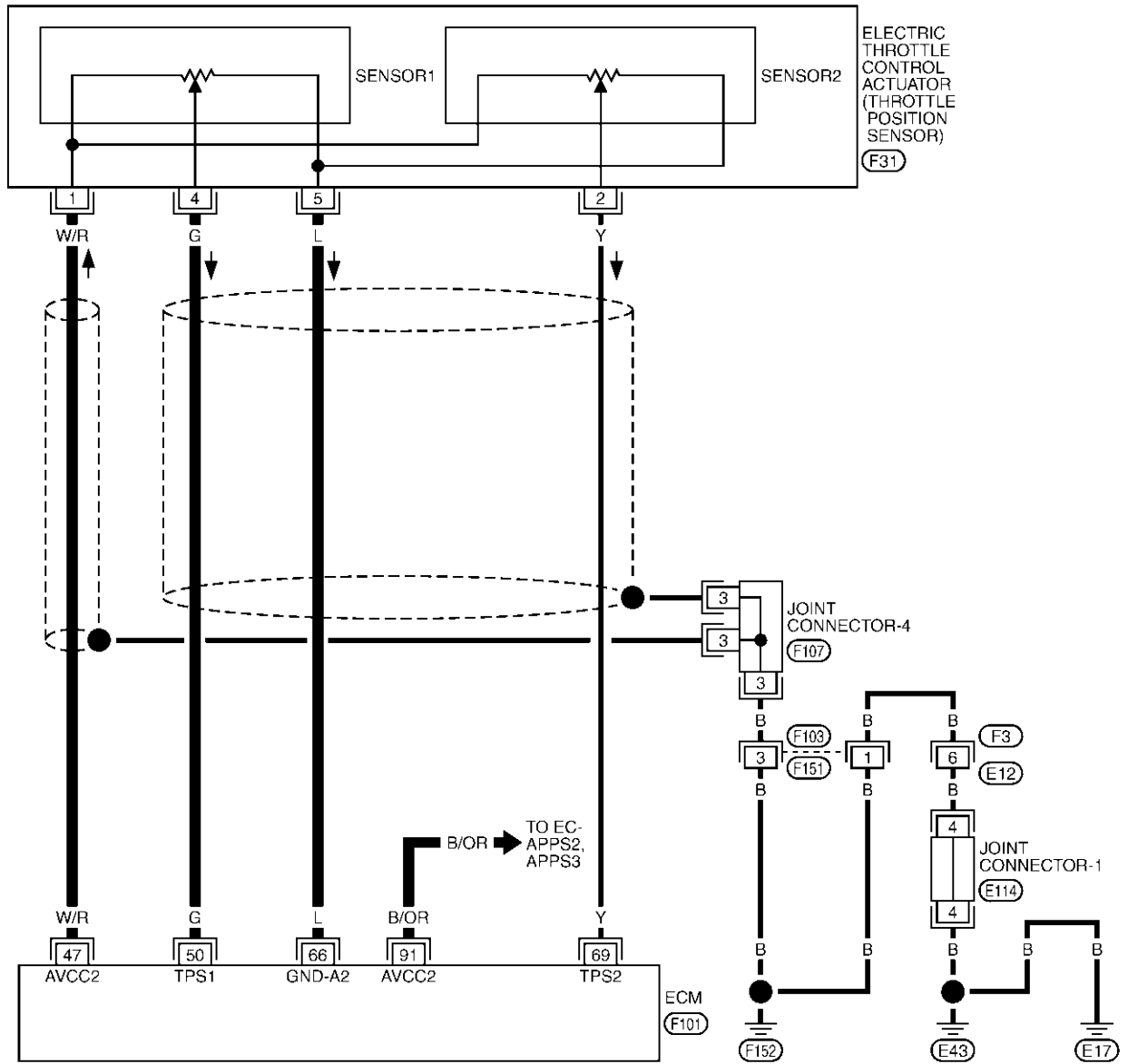
# DTC P0222, P0223 TP SENSOR

ABS000X2

## Wiring Diagram

### EC-TPS1-01

: DETECTABLE LINE FOR DTC  
 : NON-DETECTABLE LINE FOR DTC



TBW0255E



# DTC P0222, P0223 TP SENSOR

Specification data are reference values and are measured between each terminal and ground.

**CAUTION:**

**Do not use ECM ground terminals when measuring input/output voltage. Doing so may result in damage to the ECM's transistor. Use a ground other than ECM terminals, such as the ground.**

TER-MINAL NO.	WIRE COLOR	ITEM	CONDITION	DATA (DC Voltage)
47	W/R	Sensors' power supply (Throttle position sensor)	<b>[Ignition switch "ON"]</b>	Approximately 5V
50	G	Throttle position sensor 1	<b>[Ignition switch "ON"]</b> <ul style="list-style-type: none"> <li>● Engine stopped</li> <li>● Shift lever: "D" (A/T) or "1st" (M/T)</li> <li>● Accelerator pedal fully released</li> </ul>	More than 0.36V
			<b>[Ignition switch "ON"]</b> <ul style="list-style-type: none"> <li>● Engine stopped</li> <li>● Shift lever: "D" (A/T) or "1st" (M/T)</li> <li>● Accelerator pedal fully depressed</li> </ul>	Less than 4.75V
66	L	Sensors' ground (Throttle position sensor)	<b>[Engine is running]</b> <ul style="list-style-type: none"> <li>● Warm-up condition</li> <li>● Idle speed</li> </ul>	Approximately 0V
69	Y	Throttle position sensor 2	<b>[Ignition switch "ON"]</b> <ul style="list-style-type: none"> <li>● Engine stopped</li> <li>● Shift lever: "D" (A/T) or "1st" (M/T)</li> <li>● Accelerator pedal fully released</li> </ul>	Less than 4.75V
			<b>[Ignition switch "ON"]</b> <ul style="list-style-type: none"> <li>● Engine stopped</li> <li>● Shift lever: "D" (A/T) or "1st" (M/T)</li> <li>● Accelerator pedal fully depressed</li> </ul>	More than 0.36V
91	B/OR	Sensors' power supply (APP sensor 2)	<b>[Ignition switch "ON"]</b>	Approximately 5V

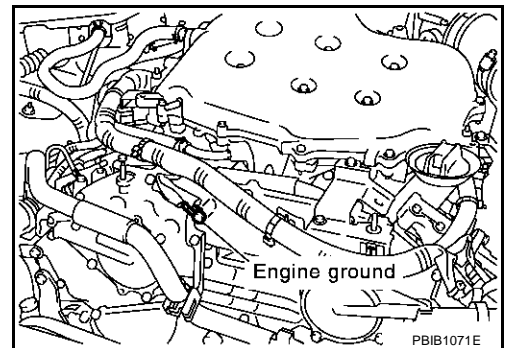
## Diagnostic Procedure

ABS000X3

### 1. RETIGHTEN GROUND SCREWS

1. Turn ignition switch "OFF".
2. Loosen and retighten engine ground screws.

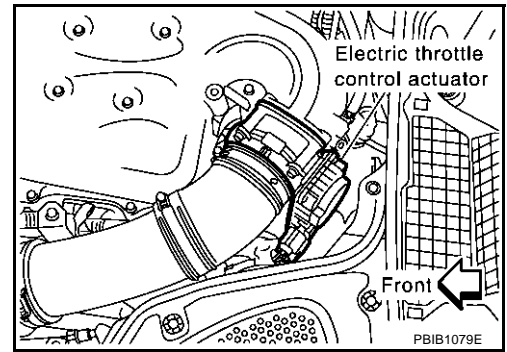
>> GO TO 2.



# DTC P0222, P0223 TP SENSOR

## 2. CHECK THROTTLE POSITION SENSOR 1 POWER SUPPLY CIRCUIT-I

1. Disconnect electric throttle control actuator harness connector.
2. Turn ignition switch "ON".

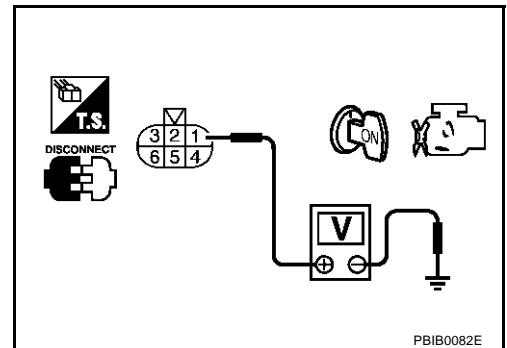


3. Check voltage between electric throttle control actuator terminal 1 and ground with CONSULT-II or tester.

**Voltage: Approximately 5V**

OK or NG

- OK >> GO TO 3.  
NG >> GO TO 7.



## 3. CHECK THROTTLE POSITION SENSOR 1 POWER SUPPLY CIRCUIT-II

1. Turn ignition switch "OFF".
2. Disconnect ECM harness connector.
3. Check harness continuity between electric throttle control actuator terminal 1 and ECM terminal 47. Refer to Wiring Diagram.

**Continuity should exist.**

OK or NG

- OK >> GO TO 4.  
NG >> Repair or replace open circuit.

## 4. CHECK THROTTLE POSITION SENSOR 1 POWER SUPPLY CIRCUIT-III

Check harness for short to power and short to ground, between the following terminals.

ECM terminal	Sensor terminal	Reference Wiring Diagram
47	Electric throttle control actuator terminal 1	<a href="#">EC-288</a>
91	APP sensor terminal 4	<a href="#">EC-561</a>

OK or NG

- OK >> GO TO 5.  
NG >> Repair short to ground or short to power in harness or connectors.

## 5. CHECK APP SENSOR

Refer to [EC-565, "Component Inspection"](#).

OK or NG

- OK >> GO TO 11.  
NG >> GO TO 6.

## DTC P0222, P0223 TP SENSOR

---

### 6. REPLACE ACCELERATOR PEDAL ASSEMBLY

---

1. Replace accelerator pedal assembly.
2. Perform [EC-50, "Accelerator Pedal Released Position Learning"](#) .
3. Perform [EC-51, "Throttle Valve Closed Position Learning"](#) .
4. Perform [EC-51, "Idle Air Volume Learning"](#) .

>> INSPECTION END

---

### 7. CHECK THROTTLE POSITION SENSOR 1 GROUND CIRCUIT FOR OPEN AND SHORT

---

1. Turn ignition switch "OFF".
2. Disconnect ECM harness connector.
3. Check harness continuity between electric throttle control actuator terminal 5 and ECM terminal 66.  
Refer to Wiring Diagram.

**Continuity should exist.**

4. Also check harness for short to ground and short to power.

OK or NG

OK >> GO TO 8.

NG >> Repair open circuit or short to ground or short to power in harness or connectors.

---

### 8. CHECK THROTTLE POSITION SENSOR 1 INPUT SIGNAL CIRCUIT FOR OPEN AND SHORT

---

1. Check harness continuity between ECM terminal 50 and electric throttle control actuator terminal 4.  
Refer to Wiring Diagram.

**Continuity should exist.**

2. Also check harness for short to ground and short to power.

OK or NG

OK >> GO TO 9.

NG >> Repair open circuit or short to ground or short to power in harness or connectors.

---

### 9. CHECK THROTTLE POSITION SENSOR

---

Refer to [EC-292, "Component Inspection"](#) .

OK or NG

OK >> GO TO 11.

NG >> GO TO 10.

---

### 10. REPLACE ELECTRIC THROTTLE CONTROL ACTUATOR

---

1. Replace the electric throttle control actuator.
2. Perform [EC-51, "Throttle Valve Closed Position Learning"](#) .
3. Perform [EC-51, "Idle Air Volume Learning"](#) .

>> INSPECTION END

---

### 11. CHECK INTERMITTENT INCIDENT

---

Refer to [EC-137, "TROUBLE DIAGNOSIS FOR INTERMITTENT INCIDENT"](#) .

>> INSPECTION END

# DTC P0222, P0223 TP SENSOR

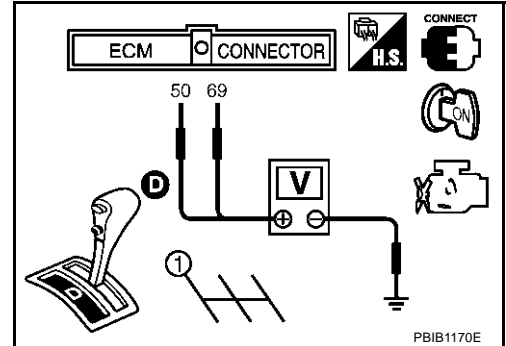
ABS000X4

## Component Inspection THROTTLE POSITION SENSOR

1. Reconnect all harness connectors disconnected.
2. Perform [EC-51, "Throttle Valve Closed Position Learning"](#) .
3. Turn ignition switch "ON".
4. Set selector lever to "D" (A/T) or "1st" (M/T) position.
5. Check voltage between ECM terminals 50 (TP sensor 1signal), 69 (TP sensor 2signal) and engine ground under the following conditions.

Terminal	Accelerator pedal	Voltage
50 (Throttle position sensor 1)	Fully released	More than 0.36V
	Fully depressed	Less than 4.75V
69 (Throttle position sensor 2)	Fully released	Less than 4.75V
	Fully depressed	More than 0.36V

6. If NG, replace electric throttle control actuator and go to the next step.
7. Perform [EC-51, "Throttle Valve Closed Position Learning"](#) .
8. Perform [EC-51, "Idle Air Volume Learning"](#) .



## Removal and Installation ELECTRIC THROTTLE CONTROL ACTUATOR

ABS000X5

Refer to [EM-17, "INTAKE MANIFOLD COLLECTOR"](#) .

# DTC P0300 - P0306 MULTIPLE CYLINDER MISFIRE, NO. 1 - 6 CYLINDER MISFIRE

## DTC P0300 - P0306 MULTIPLE CYLINDER MISFIRE, NO. 1 - 6 CYLINDER MISFIRE

PF0:00000

### On Board Diagnosis Logic

ABS000XM

When a misfire occurs, engine speed will fluctuate. If the engine speed fluctuates enough to cause the crankshaft position (CKP) sensor (POS) signal to vary, ECM can determine that a misfire is occurring.

Sensor	Input Signal to ECM	ECM function
Crankshaft position sensor (POS)	Engine speed	On board diagnosis of misfire

The misfire detection logic consists of the following two conditions.

- One Trip Detection Logic (Three Way Catalyst Damage)**  
 On the first trip that a misfire condition occurs that can damage the three way catalyst (TWC) due to overheating, the MIL will blink.  
 When a misfire condition occurs, the ECM monitors the CKP sensor signal every 200 engine revolutions for a change.  
 When the misfire condition decreases to a level that will not damage the TWC, the MIL will turn off.  
 If another misfire condition occurs that can damage the TWC on a second trip, the MIL will blink.  
 When the misfire condition decreases to a level that will not damage the TWC, the MIL will remain on.  
 If another misfire condition occurs that can damage the TWC, the MIL will begin to blink again.
- Two Trip Detection Logic (Exhaust quality deterioration)**  
 For misfire conditions that will not damage the TWC (but will affect vehicle emissions), the MIL will only light when the misfire is detected on a second trip. During this condition, the ECM monitors the CKP sensor signal every 1,000 engine revolutions.  
 A misfire malfunction can be detected on any one cylinder or on multiple cylinders.

DTC No.	Trouble diagnosis name	DTC detecting condition	Possible cause
P0300 0300	Multiple cylinder misfire detected	Multiple cylinder misfire.	<ul style="list-style-type: none"> <li>● Improper spark plug</li> <li>● Insufficient compression</li> <li>● Incorrect fuel pressure</li> <li>● The injector circuit is open or shorted</li> <li>● Fuel injectors</li> <li>● Intake air leak</li> <li>● The ignition signal circuit is open or shorted</li> <li>● Lack of fuel</li> <li>● Signal plate</li> <li>● Heated oxygen sensor 1</li> <li>● Incorrect PCV hose connection</li> </ul>
P0301 0301	No.1 cylinder misfire detected	No. 1 cylinder misfires.	
P0302 0302	No. 2 cylinder misfire detected	No. 2 cylinder misfires.	
P0303 0303	No. 3 cylinder misfire detected	No. 3 cylinder misfires.	
P0304 0304	No. 4 cylinder misfire detected	No. 4 cylinder misfires.	
P0305 0305	No. 5 cylinder misfire detected	No. 5 cylinder misfires.	
P0306 0306	No. 6 cylinder misfire detected	No. 6 cylinder misfires.	

### DTC Confirmation Procedure

ABS000XN

#### CAUTION:

Always drive vehicle at a safe speed.

#### NOTE:

If "DTC Confirmation Procedure" has been previously conducted, always turn ignition switch "OFF" and wait at least 10 seconds before conducting the next test.

# DTC P0300 - P0306 MULTIPLE CYLINDER MISFIRE, NO. 1 - 6 CYLINDER MISFIRE

## WITH CONSULT-II

1. Turn ignition switch ON, and select "DATA MONITOR" mode with CONSULT-II.
2. Start engine and warm it up to normal operating temperature.
3. Turn ignition switch OFF and wait at least 10 seconds.
4. Restart engine and let it idle for about 15 minutes.
5. If 1st trip DTC is detected, go to [EC-294, "Diagnostic Procedure"](#)

DATA MONITOR	
MONITOR	NO DTC
ENG SPEED	XXX rpm
COOLAN TEMP/S	XXX °C
VHCL SPEED SE	XXX km/h
B/FUEL SCHDL	XXX msec

PBIB0164E

### NOTE:

If 1st trip DTC is not detected during above procedure, performing the following procedure is advised.

1. Turn ignition switch OFF and wait at least 10 seconds.
2. Start engine and drive the vehicle under the similar conditions to (1st trip) Freeze Frame Data for a certain time. Refer to the table below.

**Hold the accelerator pedal as steady as possible.**

The similar conditions to (1st trip) Freeze Frame Data means the vehicle operation that the following conditions should be satisfied at the same time.

Engine speed	Engine speed in the freeze frame data ± 400 rpm
Vehicle speed	Vehicle speed in the freeze frame data ± 10 km/h (5 MPH)
Engine coolant temperature (T) condition	When the freeze frame data shows lower than 70 °C (158 °F), T should be lower than 70 °C (158 °F).
	When the freeze frame data shows higher than or equal to 70 °C (158 °F), T should be higher than or equal to 70 °C (158 °F).

The time to driving varies according to the engine speed in the freeze frame data.

Engine speed	Time
Around 1,000 rpm	Approximately 10 minutes
Around 2,000 rpm	Approximately 5 minutes
More than 3,000 rpm	Approximately 3.5 minutes

## WITH GST

Follow the procedure "WITH CONSULT-II" above.

### Diagnostic Procedure

ABS000XO

#### 1. CHECK FOR INTAKE AIR LEAK AND PCV HOSE

1. Start engine and run it at idle speed.
2. Listen for the sound of the intake air leak.
3. Check PCV hose connection.

#### OK or NG

- OK >> GO TO 2.  
 NG >> Discover air leak location and repair.

#### 2. CHECK FOR EXHAUST SYSTEM CLOGGING

Stop engine and visually check exhaust tube, three way catalyst and muffler for dents.

#### OK or NG

- OK >> GO TO 3.  
 NG >> Repair or replace it.

# DTC P0300 - P0306 MULTIPLE CYLINDER MISFIRE, NO. 1 - 6 CYLINDER MISFIRE

## 3. PERFORM POWER BALANCE TEST

### With CONSULT-II

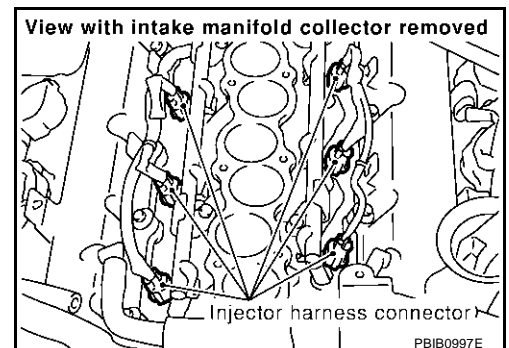
1. Perform "POWER BALANCE" in "ACTIVE TEST" mode.
2. Is there any cylinder which does not produce a momentary engine speed drop?

ACTIVE TEST	
POWER BALANCE	
MONITOR	
ENG SPEED	XXX rpm
MAS A/F SE-B1	XXX V

PBIB0133E

### Without CONSULT-II

When disconnecting each injector harness connector one at a time, is there any cylinder which does not produce a momentary engine speed drop?



### Yes or No

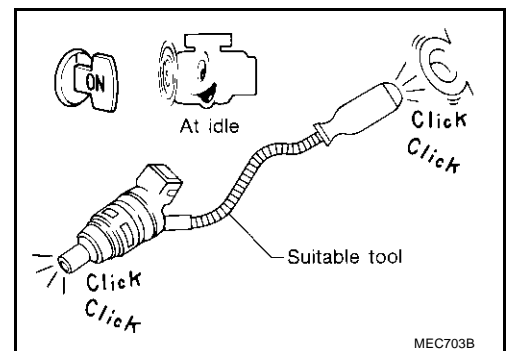
- Yes >> GO TO 4.
- No >> GO TO 7.

## 4. CHECK INJECTOR

Does each injector make an operating sound at idle?

### Yes or No

- Yes >> GO TO 5.
- No >> Check injector(s) and circuit(s). Refer to [EC-593](#), "[INJECTOR CIRCUIT](#)".



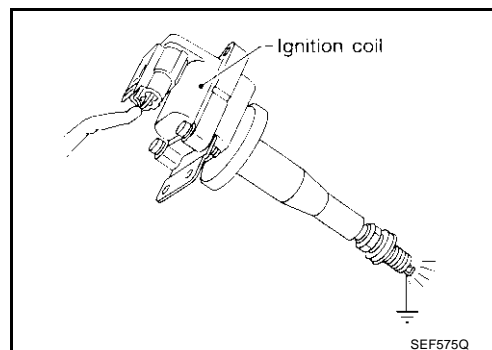
# DTC P0300 - P0306 MULTIPLE CYLINDER MISFIRE, NO. 1 - 6 CYLINDER MISFIRE

## 5. CHECK IGNITION SPARK

1. Remove ignition coil assembly from rocker cover.
2. Remove spark plug from ignition coil assembly
3. Connect a known good spark plug to the ignition coil.
4. Place end of spark plug against a suitable ground and crank engine.
5. Check for spark.

### OK or NG

- OK >> GO TO 6.  
NG >> Check ignition coil, power transistor and their circuits.  
Refer to [EC-581, "IGNITION SIGNAL"](#) .

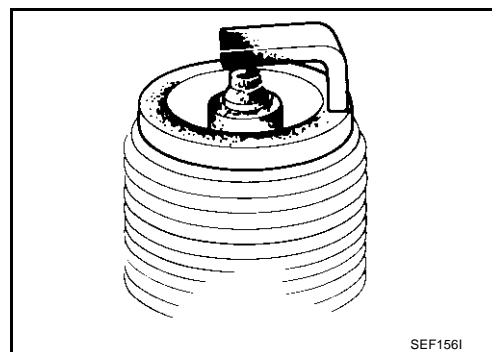


## 6. CHECK SPARK PLUGS

Remove the spark plugs and check for fouling, etc.

### OK or NG

- OK >> GO TO 7.  
NG >> Repair or replace spark plug(s) with standard type one(s). For spark plug type, refer to, [MA-19, "Changing Spark Plugs \(Platinum-Tipped Type\)"](#) .



## 7. CHECK COMPRESSION PRESSURE

Check compression pressure. Refer to [EM-79, "CHECKING COMPRESSION PRESSURE"](#) .

<b>Standard:</b>	<b>1,275 kPa (13.0 kg/cm<sup>2</sup> , 185 psi)/300 rpm</b>
<b>Minimum:</b>	<b>981 kPa (10.0 kg/cm<sup>2</sup> , 142 psi)/300 rpm</b>
<b>Difference between each cylinder:</b>	<b>98 kPa (1.0 kg/cm<sup>2</sup> , 14 psi)/300 rpm</b>

### OK or NG

- OK >> GO TO 8.  
NG >> Check pistons, piston rings, valves, valve seats and cylinder head gaskets.

## 8. CHECK FUEL PRESSURE

1. Install all removed parts.
2. Release fuel pressure to zero. Refer to [EC-53, "FUEL PRESSURE RELEASE"](#) .
3. Install fuel pressure gauge and check fuel pressure. Refer to [EC-54, "FUEL PRESSURE CHECK"](#) .

**At idle: Approx. 350 kPa (3.57 kg/cm<sup>2</sup> , 51 psi)**

### OK or NG

- OK >> GO TO 10.  
NG >> GO TO 9.



# DTC P0300 - P0306 MULTIPLE CYLINDER MISFIRE, NO. 1 - 6 CYLINDER MISFIRE

## 9. DETECT MALFUNCTIONING PART

Check the following.

- Fuel pump and circuit (Refer to [EC-599, "FUEL PUMP CIRCUIT"](#) .)
- Fuel pressure regulator (Refer to [EC-54, "FUEL PRESSURE CHECK"](#) .)
- Fuel lines
- Fuel filter for clogging

>> Repair or replace.

## 10. CHECK IGNITION TIMING

Check the following items. Refer to [EC-86, "Basic Inspection"](#) .

Items	Specifications	
Target idle speed	A/T	650 ± 50 rpm (in "P" or "N" position)
	M/T	650 ± 50 rpm (in "N" position)
Ignition timing	A/T	15 ± 5° BTDC (in "P" or "N" position)
	M/T	15 ± 5° BTDC (in "N" position)

OK or NG

OK >> GO TO 11.

NG >> Follow the [EC-86, "Basic Inspection"](#) .

## 11. CHECK HEATED OXYGEN SENSOR 1 (BANK 1)/(BANK 2)

Refer to [EC-214, "Component Inspection"](#) .

OK or NG

OK >> GO TO 13.

NG >> GO TO 12.

## 12. CHECK MASS AIR FLOW SENSOR

 **With CONSULT-II**

Check mass air flow sensor signal in "DATA MONITOR" mode with CONSULT-II.

**2.0 - 6.0 g-m/sec: at idling**

**7.0 - 20.0 g-m/sec: at 2,500 rpm**

 **With GST**

Check mass air flow sensor signal in MODE 1 with GST.

**2.0 - 6.0 g-m/sec: at idling**

**7.0 - 20.0 g-m/sec: at 2,500 rpm**

OK or NG

OK >> GO TO 13.

NG >> Check connectors for rusted terminals or loose connections in the mass air flow sensor circuit or engine grounds. Refer to [EC-167, "DTC P0101 MAF SENSOR"](#) .

## 13. CHECK SYMPTOM MATRIX CHART

Check items on the rough idle symptom in [EC-91, "Symptom Matrix Chart"](#) .

OK or NG

OK >> GO TO 14.

NG >> Repair or replace.

# DTC P0300 - P0306 MULTIPLE CYLINDER MISFIRE, NO. 1 - 6 CYLINDER MISFIRE

---

## 14. ERASE THE 1ST TRIP DTC

---

Some tests may cause a 1st trip DTC to be set.

Erase the 1st trip DTC from the ECM memory after performing the tests. Refer to [EC-69, "HOW TO ERASE EMISSION-RELATED DIAGNOSTIC INFORMATION"](#) .

>> GO TO 15.

## 15. CHECK INTERMITTENT INCIDENT

---

Refer to [EC-137, "TROUBLE DIAGNOSIS FOR INTERMITTENT INCIDENT"](#) .

>> INSPECTION END

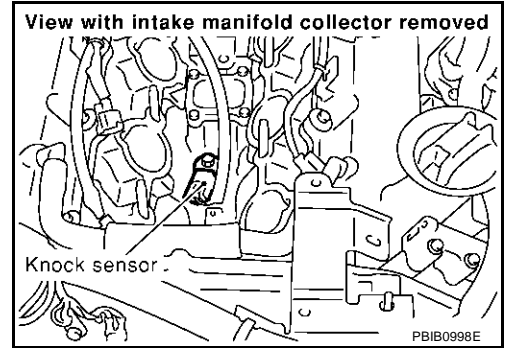
**DTC P0327, P0328 KS**

PFP:22060

**Component Description**

ABS000XP

The knock sensor is attached to the cylinder block. It senses engine knocking using a piezoelectric element. A knocking vibration from the cylinder block is sensed as vibrational pressure. This pressure is converted into a voltage signal and sent to the ECM.



**On Board Diagnosis Logic**

ABS000XQ

The MIL will not light up for these diagnoses.

DTC No.	Trouble diagnosis name	DTC detected condition	Possible cause
P0327 0327	Knock sensor circuit low input	An excessively low voltage from the sensor is sent to ECM.	<ul style="list-style-type: none"> <li>● Harness or connectors (The sensor circuit is open or shorted.)</li> <li>● Knock sensor</li> </ul>
P0328 0328	Knock sensor circuit high input	An excessively high voltage from the sensor is sent to ECM.	

**DTC Confirmation Procedure**

ABS000XR

**NOTE:**

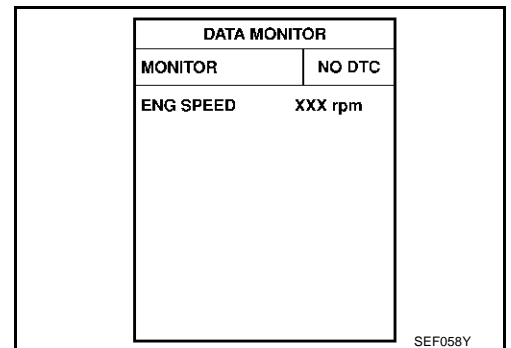
If "DTC Confirmation Procedure" has been previously conducted, always turn ignition switch "OFF" and wait at least 10 seconds before conducting the next test.

**TESTING CONDITION:**

Before performing the following procedure, confirm that battery voltage is more than 10V at idle.

**WITH CONSULT-II**

1. Turn ignition switch "ON" and select "DATA MONITOR" mode with CONSULT-II.
2. Start engine and run it for at least 5 seconds at idle speed.
3. If 1st trip DTC is detected, go to [EC-301, "Diagnostic Procedure"](#)



**WITH GST**

Follow the procedure "WITH CONSULT-II" above.

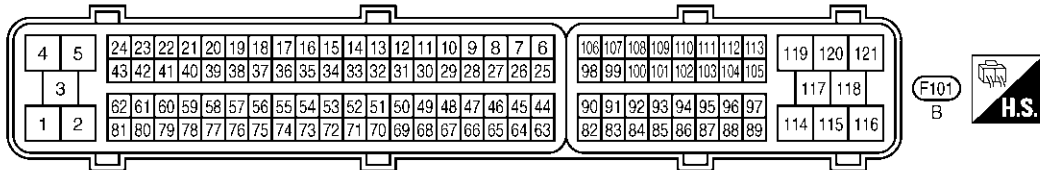
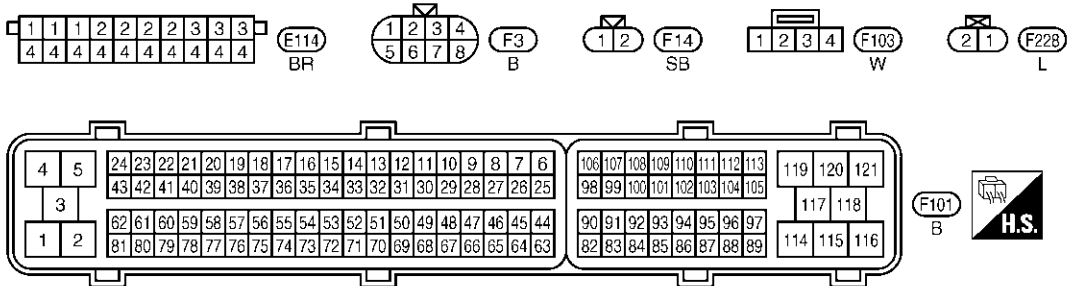
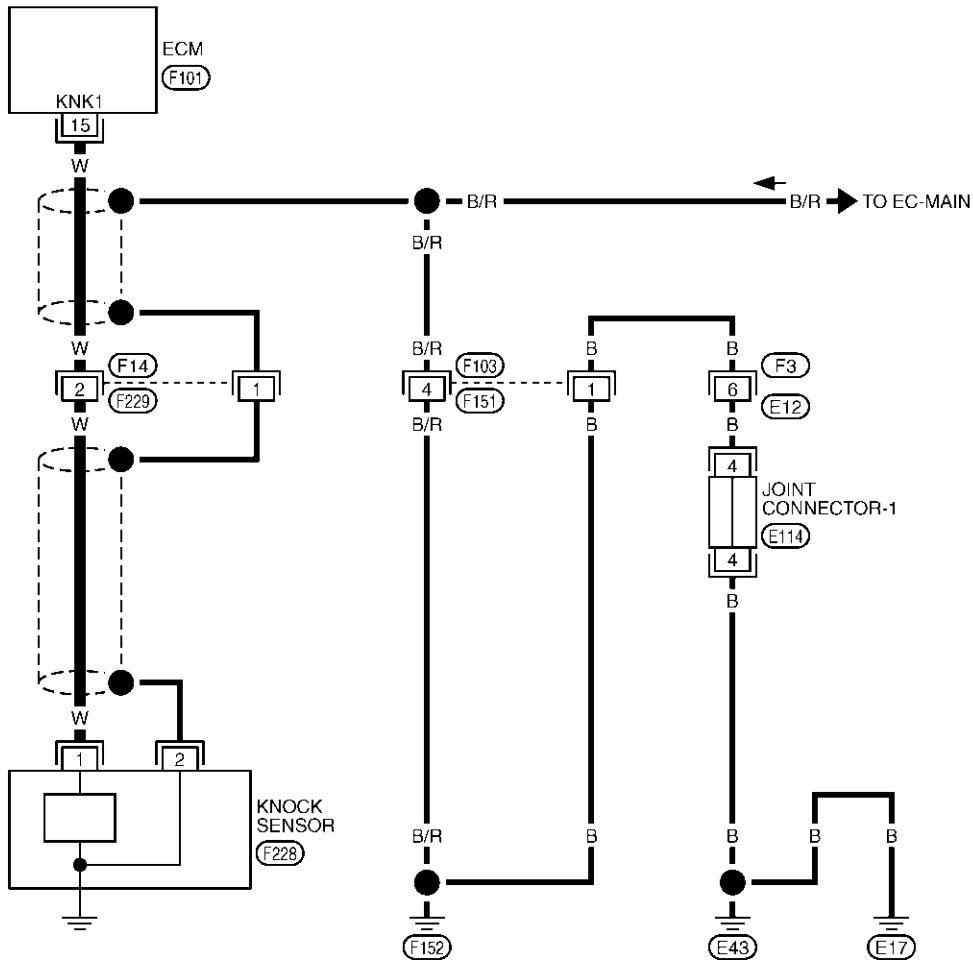
# DTC P0327, P0328 KS

## Wiring Diagram

ABS000XS

EC-KS-01

: DETECTABLE LINE FOR DTC  
 : NON-DETECTABLE LINE FOR DTC



TBWT0216E

# DTC P0327, P0328 KS

Specification data are reference values and are measured between each terminal and ground.

## CAUTION:

Do not use ECM ground terminals when measuring input/output voltage. Doing so may result in damage to the ECM's transistor. Use a ground other than ECM terminals, such as the ground.

TER-MINAL NO.	WIRE COLOR	ITEM	CONDITION	DATA (DC Voltage)
15	W	Knock sensor	[Engine is running] ● Idle speed	Approximately 2.5V

## Diagnostic Procedure

ABS000XT

### 1. CHECK KNOCK SENSOR INPUT SIGNAL CIRCUIT FOR OPEN AND SHORT-I

1. Turn ignition switch "OFF".
2. Disconnect ECM harness connector.
3. Check resistance between ECM terminal 15 and engine ground. Refer to Wiring Diagram.

#### NOTE:

It is necessary to use an ohmmeter which can measure more than 10 M $\Omega$ .

**Resistance: Approximately 532 - 588 k $\Omega$  [at 20°C (68°F)]**

4. Also check harness for short to ground and short to power.

#### OK or NG

- OK >> GO TO 4.
- NG >> GO TO 2.

### 2. CHECK KNOCK SENSOR INPUT SIGNAL CIRCUIT FOR OPEN AND SHORT-II

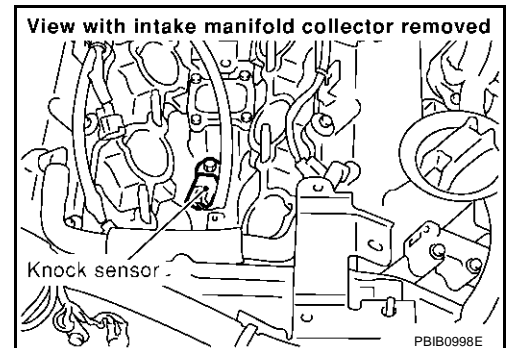
1. Disconnect knock sensor harness connector.
2. Check harness continuity between ECM terminal 15 and knock sensor terminal 1. Refer to Wiring Diagram.

**Continuity should exist.**

3. Also check harness for short to ground and short to power.

#### OK or NG

- OK >> GO TO 4.
- NG >> GO TO 3.



### 3. DETECT MALFUNCTIONING PART

Check the following.

- Harness connectors F14, F229
- Harness for open or short between ECM and knock sensor

>> Repair open circuit or short to ground or short to power in harness or connectors.

### 4. CHECK KNOCK SENSOR

Refer to [EC-302. "Component Inspection"](#).

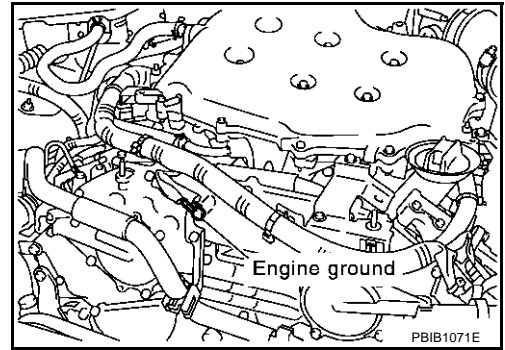
#### OK or NG

- OK >> GO TO 5.
- NG >> Replace knock sensor.

## 5. RETIGHTEN GROUND SCREWS

Loosen and retighten engine ground screws.

>> GO TO 6.



## 6. CHECK KNOCK SENSOR SHIELD CIRCUIT FOR OPEN AND SHORT

1. Turn ignition switch "OFF".
2. Disconnect knock sensor harness connector.
3. Check harness continuity between knock sensor terminal 2 and engine ground. Refer to Wiring Diagram.

**Continuity should exist.**

OK or NG

- OK >> GO TO 8.
- NG >> GO TO 7.

## 7. DETECT MALFUNCTIONING PART

Check the following.

- Joint connector-1
- Harness connectors F14, F229
- Harness connectors F103, F151
- Harness connectors F3, E12
- Harness for open or short between knock sensor terminal 2 and engine ground

>> Repair open circuit or short power in harness or connectors.

## 8. CHECK INTERMITTENT INCIDENT

Refer to [EC-137, "TROUBLE DIAGNOSIS FOR INTERMITTENT INCIDENT"](#) .

>> INSPECTION END

## Component Inspection KNOCK SENSOR

ABS000XU

Check resistance between knock sensor terminal 1 and ground.

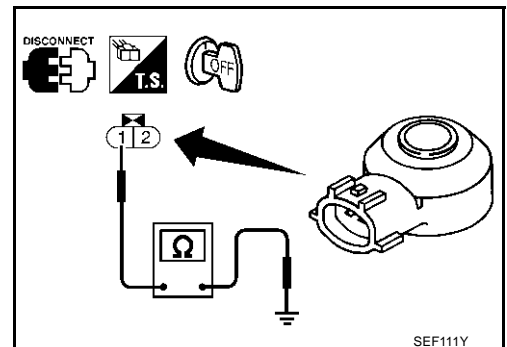
### NOTE:

It is necessary to use an ohmmeter which can measure more than 10 MΩ.

**Resistance: Approximately 532 - 588 kΩ [at 20°C (68°F)]**

### CAUTION:

Do not use any knock sensors that have been dropped or physically damaged. Use only new ones.



**Removal and Installation**  
**KNOCK SENSOR**

ABS000XV

Refer to [EM-95, "CYLINDER BLOCK"](#) .

A

EC

C

D

E

F

G

H

I

J

K

L

M

# DTC P0335 CKP SENSOR (POS)

## DTC P0335 CKP SENSOR (POS)

PF2:23731

### Component Description

ABS000XW

The crankshaft position sensor (POS) is located on the oil pan facing the gear teeth (cogs) of the signal plate. It detects the fluctuation of the engine revolution.

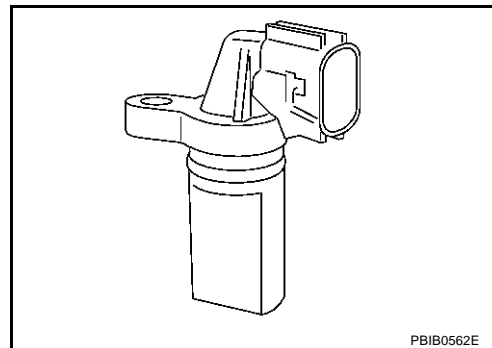
The sensor consists of a permanent magnet and Hall IC.

When the engine is running, the high and low parts of the teeth cause the gap with the sensor to change.

The changing gap causes the magnetic field near the sensor to change.

Due to the changing magnetic field, the voltage from the sensor changes.

The ECM receives the voltage signal and detects the fluctuation of the engine revolution.



PBIB0562E

### CONSULT-II Reference Value in Data Monitor Mode

ABS000XX

Specification data are reference values.

MONITOR ITEM	CONDITION	SPECIFICATION
ENG SPEED	<ul style="list-style-type: none"> <li>Tachometer: Connect</li> <li>Run engine and compare tachometer indication with the CONSULT-II value.</li> </ul>	Almost the same speed as the CONSULT-II value.

### On Board Diagnosis Logic

ABS000XY

DTC No.	Trouble diagnosis name	DTC detecting condition	Possible cause
P0335 0335	Crankshaft position sensor (POS) circuit	<ul style="list-style-type: none"> <li>The crankshaft position sensor (POS) signal is not detected by the ECM during the first few seconds of engine cranking.</li> <li>The proper pulse signal from the crankshaft position sensor (POS) is not sent to ECM while the engine is running.</li> <li>The crankshaft position sensor (POS) signal is not in the normal pattern during engine running.</li> </ul>	<ul style="list-style-type: none"> <li>Harness or connectors (The sensor circuit is open or shorted)</li> <li>Crankshaft position sensor (POS)</li> <li>Signal plate</li> </ul>

### DTC Confirmation Procedure

ABS000XZ

#### NOTE:

If "DTC Confirmation Procedure" has been previously conducted, always turn ignition switch "OFF" and wait at least 10 seconds before conducting the next test.

#### TESTING CONDITION:

Before performing the following procedure, confirm that battery voltage is more than 10.5V with ignition switch "ON".

#### WITH CONSULT-II

- Turn ignition switch "ON" and select "DATA MONITOR" mode with CONSULT-II.
- Crank engine for at least 2 seconds and run it for at least 5 seconds at idle speed.
- If 1st trip DTC is detected, go to [EC-306. "Diagnostic Procedure"](#)

DATA MONITOR	
MONITOR	NO DTC
ENG SPEED	XXX rpm

SEF058Y

#### WITH GST

Follow the procedure "WITH CONSULT-II" above.



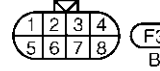
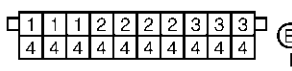
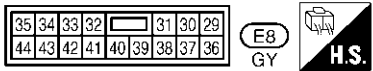
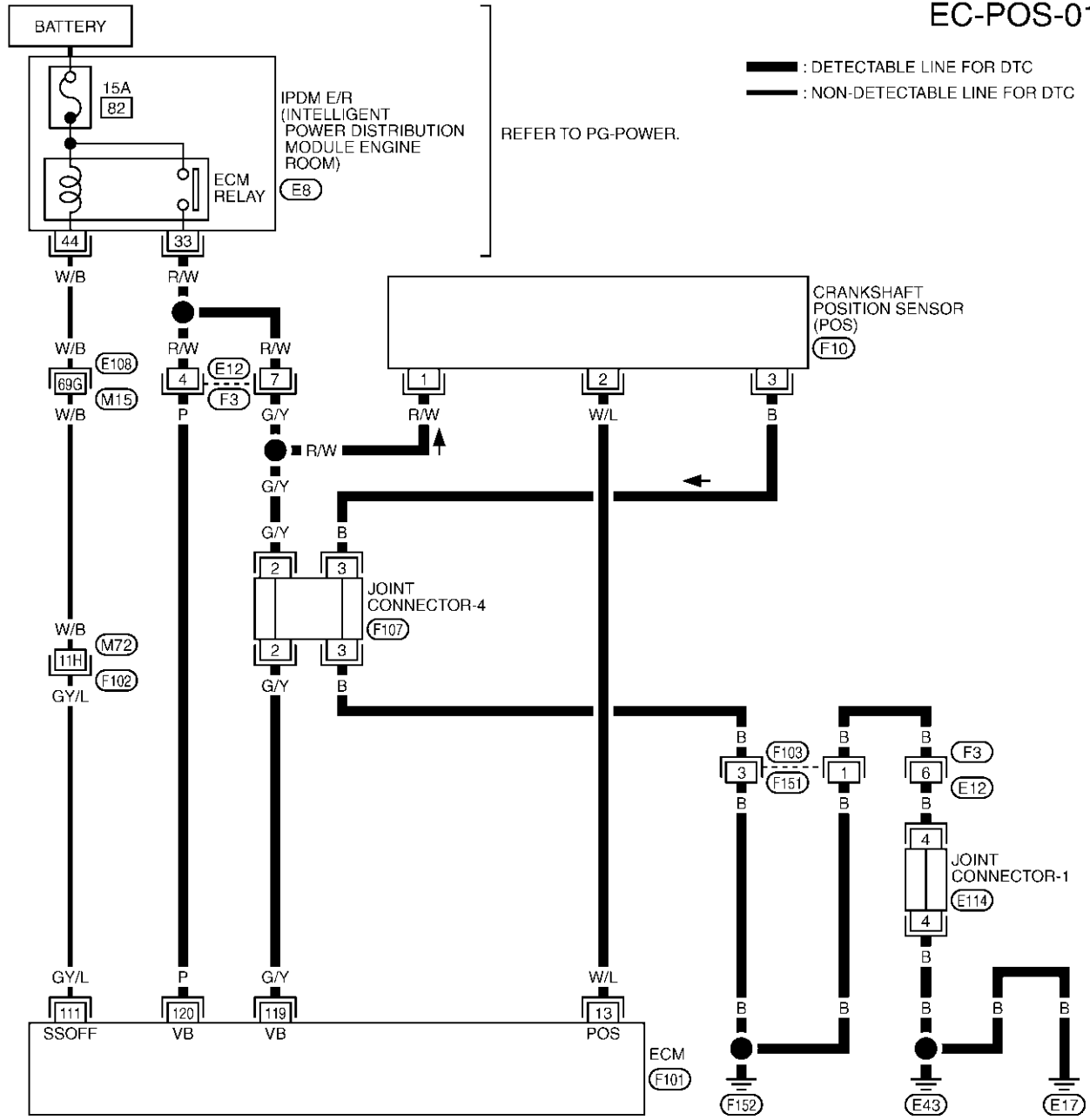
# DTC P0335 CKP SENSOR (POS)

## Wiring Diagram

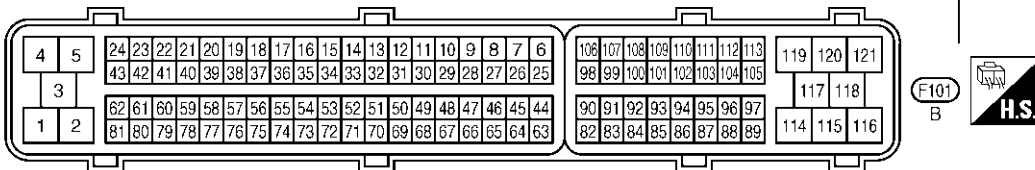
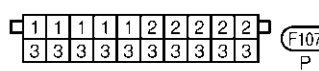
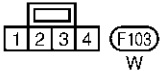
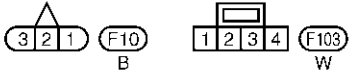
ABS000Y0

EC-POS-01

A  
EC  
C  
D  
E  
F  
G  
H  
I  
J  
K  
L  
M



REFER TO THE FOLLOWING.  
 E108, F102 -SUPER MULTIPLE JUNCTION (SMJ)



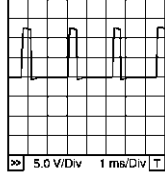
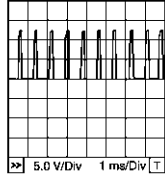
TBWT0217E

# DTC P0335 CKP SENSOR (POS)

Specification data are reference values and are measured between each terminal and ground.

**CAUTION:**

Do not use ECM ground terminals when measuring input/output voltage. Doing so may result in damage to the ECM's transistor. Use a ground other than ECM terminals, such as the ground.

TER-MINAL NO.	WIRE COLOR	ITEM	CONDITION	DATA (DC Voltage)
13	W/L	Crankshaft position sensor (POS)	<p>[Engine is running]</p> <ul style="list-style-type: none"> <li>● Warm-up condition</li> <li>● Idle speed</li> </ul>	<p>Approximately 1.6V★</p>  <p>PBIB1041E</p>
			<p>[Engine is running]</p> <ul style="list-style-type: none"> <li>● Engine speed is 2,000 rpm.</li> </ul>	<p>Approximately 1.4V★</p>  <p>PBIB1042E</p>

★: Average voltage for pulse signal (Actual pulse signal can be confirmed by oscilloscope.)

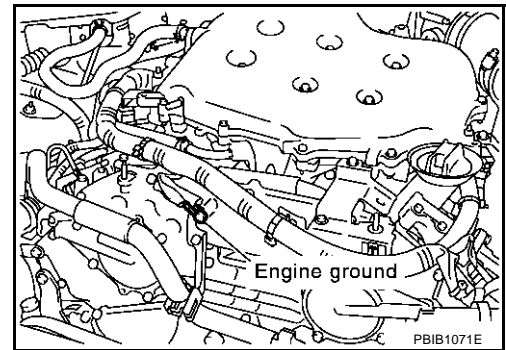
## Diagnostic Procedure

ABS000Y1

### 1. RETIGHTEN GROUND SCREWS

1. Turn ignition switch "OFF".
2. Loosen and retighten engine ground screws.

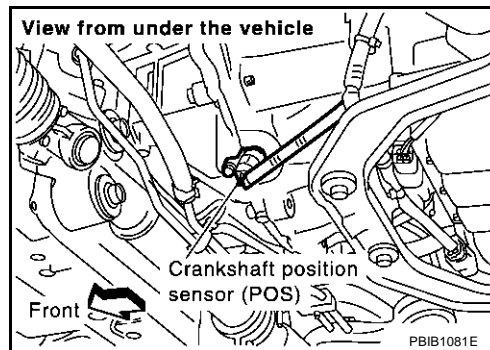
>> GO TO 2.



# DTC P0335 CKP SENSOR (POS)

## 2. CHECK CRANKSHAFT POSITION (CKP) SENSOR (POS) POWER SUPPLY CIRCUIT

1. Disconnect crankshaft position (CKP) sensor (POS) harness connector.
2. Turn ignition switch "ON".



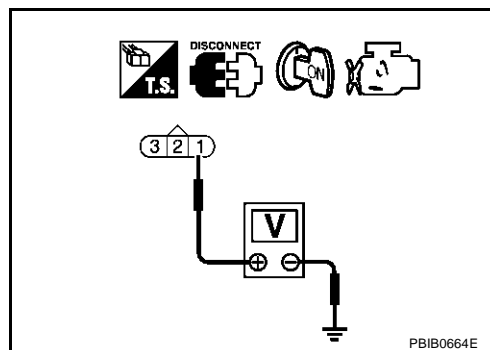
3. Check voltage between CKP sensor (POS) terminal 1 and ground with CONSULT-II or tester.

**Voltage: Battery voltage**

4. Also check harness for short to ground and short to power.

OK or NG

- OK >> GO TO 4.
- NG >> GO TO 3.



## 3. DETECT MALFUNCTIONING PART

Check the following.

- Harness connectors E12, F3
- Joint connector-4
- Harness for open or short between crankshaft position sensor (POS) and ECM
- Harness for open or short between crankshaft position sensor (POS) and IPDM E/R

>> Repair open circuit or short to ground or short to power in harness or connectors.

## 4. CHECK CKP SENSOR (POS) GROUND CIRCUIT FOR OPEN AND SHORT

1. Turn ignition switch "OFF".
2. Check harness continuity between CKP sensor (POS) terminal 3 and engine ground. Refer to Wiring Diagram.

**Continuity should exist.**

3. Also check harness for short to power.

OK or NG

- OK >> GO TO 6.
- NG >> GO TO 5.

# DTC P0335 CKP SENSOR (POS)

---

## 5. DETECT MALFUNCTIONING PART

---

Check the following.

- Harness connectors E12, F3
- Harness connectors F103, F151
- Joint connector-1
- Joint connector-4
- Harness for open or short between crankshaft position sensor (POS) and ground

>> Repair open circuit or short to power in harness or connectors.

---

## 6. CHECK CKP SENSOR (POS) INPUT SIGNAL CIRCUIT FOR OPEN AND SHORT

---

1. Disconnect ECM harness connector.
2. Check harness continuity between ECM terminal 13 and CKP sensor (POS) terminal 2.  
Refer to Wiring Diagram.

**Continuity should exist.**

3. Also check harness for short to ground and short to power.

OK or NG

OK >> GO TO 7.

NG >> Repair open circuit or short to ground or short to power in harness or connectors.

---

## 7. CHECK CRANKSHAFT POSITION SENSOR (POS)

---

Refer to [EC-309, "Component Inspection"](#) .

OK or NG

OK >> GO TO 8.

NG >> Replace crankshaft position sensor (POS).

---

## 8. CHECK GEAR TOOTH

---

Visually check for chipping signal plate gear tooth.

OK or NG

OK >> GO TO 9.

NG >> Replace the signal plate.

---

## 9. CHECK INTERMITTENT INCIDENT

---

Refer to [EC-137, "TROUBLE DIAGNOSIS FOR INTERMITTENT INCIDENT"](#) .

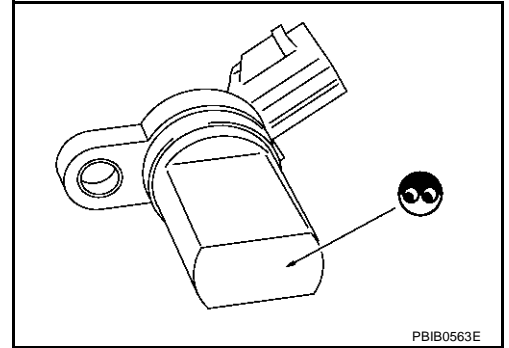
>> **INSPECTION END**

# DTC P0335 CKP SENSOR (POS)

ABS000Y2

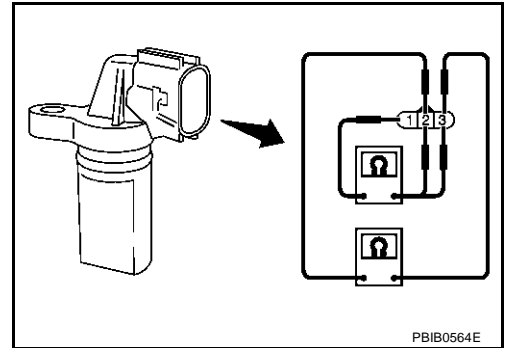
## Component Inspection CRANKSHAFT POSITION SENSOR (POS)

1. Loosen the fixing bolt of the sensor.
2. Disconnect crankshaft position sensor (POS) harness connector.
3. Remove the sensor.
4. Visually check the sensor for chipping.



5. Check resistance as shown in the figure.

Terminal No. (Polarity)	Resistance $\Omega$ [at 25°C (77°F)]
1 (+) - 2 (-)	Except 0 or $\infty$
1 (+) - 3 (-)	
2 (+) - 3 (-)	



## Removal and Installation CRANKSHAFT POSITION SENSOR (POS)

Refer to [EM-26. "OIL PAN AND OIL STRAINER"](#) .

ABS000Y3

# DTC P0340, P0345 CMP SENSOR (PHASE)

PFP:23731

## DTC P0340, P0345 CMP SENSOR (PHASE)

### Component Description

ABS000Y4

The camshaft position sensor (PHASE) senses the retraction of intake valve camshaft to identify a particular cylinder. The camshaft position sensor (PHASE) senses the piston position.

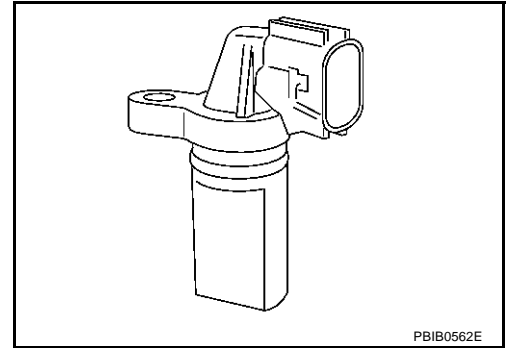
When the crankshaft position sensor (POS) system becomes inoperative, the camshaft position sensor (PHASE) provides various controls of engine parts instead, utilizing timing of cylinder identification signals.

The sensor consists of a permanent magnet and Hall IC.

When engine is running, the high and low parts of the teeth cause the gap with the sensor to change.

The changing gap causes the magnetic field near the sensor to change.

Due to the changing magnetic field, the voltage from the sensor changes.



### On Board Diagnosis Logic

ABS000Y5

DTC No.	Trouble diagnosis name	DTC detecting condition	Possible cause
P0340 0340 (Bank 1)	Camshaft position sensor (PHASE) circuit	<ul style="list-style-type: none"> <li>The cylinder No. signal is not sent to ECM for the first few seconds during engine cranking.</li> </ul>	<ul style="list-style-type: none"> <li>Harness or connectors (The sensor circuit is open or shorted)</li> <li>Camshaft position sensor (PHASE)</li> </ul>
P0345 0345 (Bank 2)		<ul style="list-style-type: none"> <li>The cylinder No. signal is not sent to ECM during engine running.</li> <li>The cylinder No. signal is not in the normal pattern during engine running.</li> </ul>	<ul style="list-style-type: none"> <li>Camshaft (Intake)</li> <li>Starter motor (Refer to <a href="#">SC-10</a>.)</li> <li>Starting system circuit (Refer to <a href="#">SC-10</a>.)</li> <li>Dead (Weak) battery</li> </ul>

### DTC Confirmation Procedure

ABS000Y6

#### NOTE:

If "DTC Confirmation Procedure" has been previously conducted, always turn ignition switch "OFF" and wait at least 10 seconds before conducting the next test.

#### TESTING CONDITION:

Before performing the following procedure, confirm that battery voltage is more than 10.5V with ignition switch "ON".

#### WITH CONSULT-II

- Turn ignition switch "ON".
- Select "DATA MONITOR" mode with CONSULT-II.
- Crank engine for at least 2 seconds and run it for at least 5 seconds at idle speed.
- If 1st trip DTC is detected, go to [EC-314, "Diagnostic Procedure"](#).  
If 1st trip DTC is not detected, go to next step.
- Maintaining engine speed at more than 800 rpm for at least 5 seconds.
- If 1st trip DTC is detected, go to [EC-314, "Diagnostic Procedure"](#).

DATA MONITOR	
MONITOR	NO DTC
COOLANT TEMP/S	XXX °C

SEF013Y

#### WITH GST

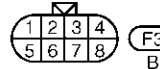
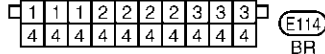
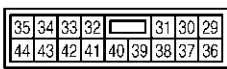
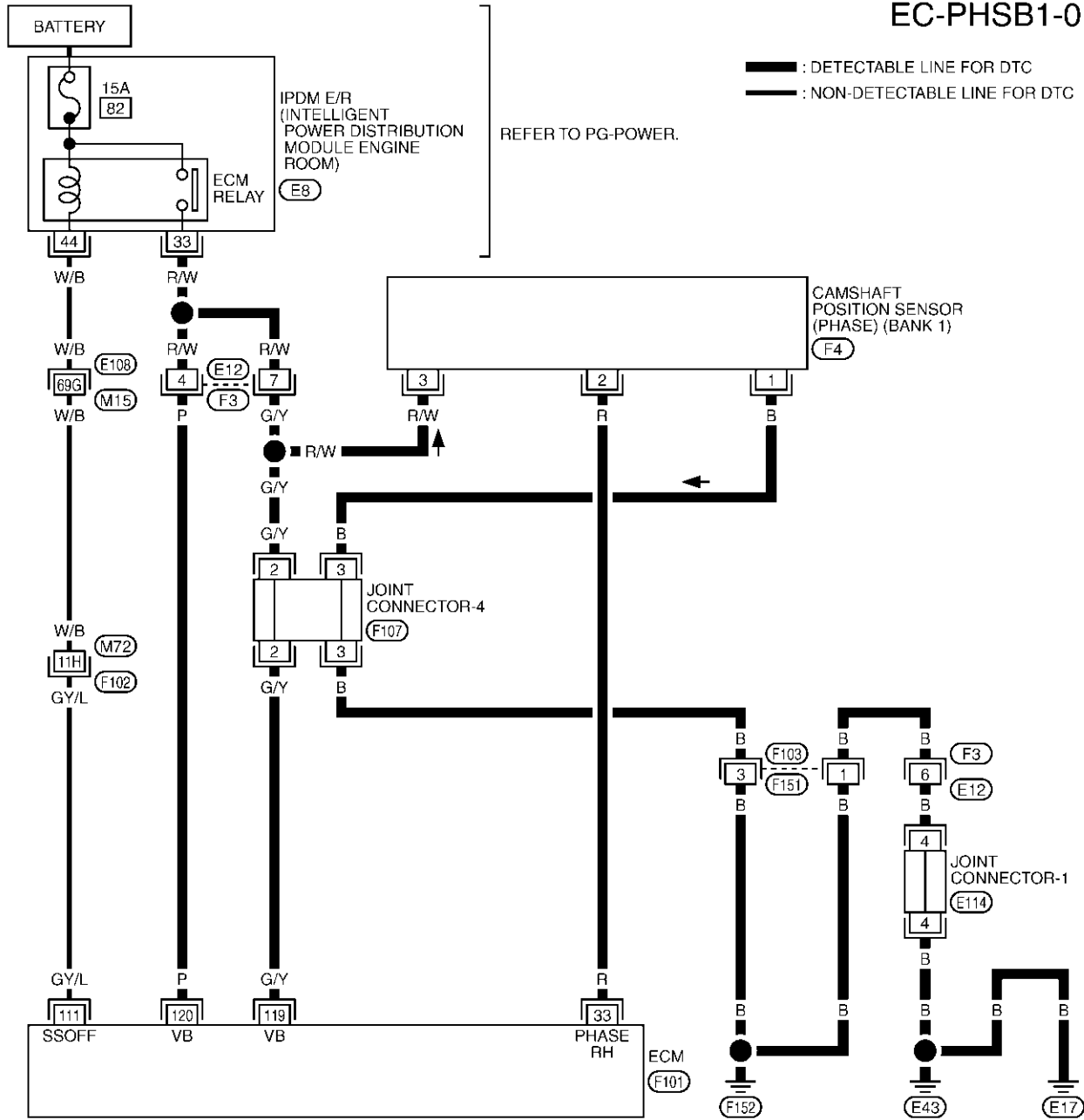
Follow the procedure "WITH CONSULT-II" above.

# DTC P0340, P0345 CMP SENSOR (PHASE)

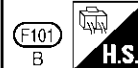
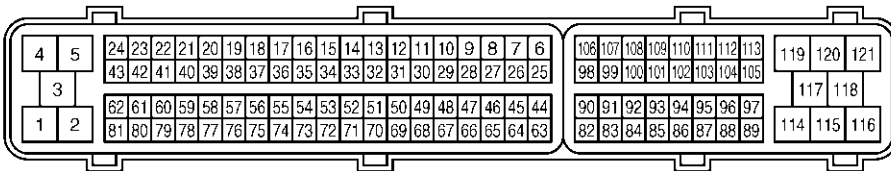
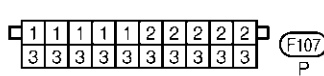
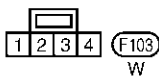
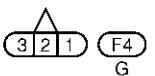
ABS000Y7

## Wiring Diagram BANK 1

EC-PHSB1-01



REFER TO THE FOLLOWING.  
 (E108), (F102) -SUPER MULTIPLE JUNCTION (SMJ)



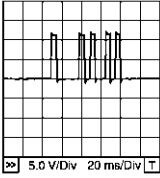
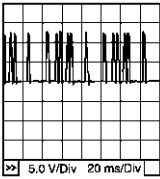
TBWT0218E

# DTC P0340, P0345 CMP SENSOR (PHASE)

Specification data are reference values and are measured between each terminal and ground.

**CAUTION:**

**Do not use ECM ground terminals when measuring input/output voltage. Doing so may result in damage to the ECM's transistor. Use a ground other than ECM terminals, such as the ground.**

TER-MINAL NO.	WIRE COLOR	ITEM	CONDITION	DATA (DC Voltage)
33	R	Camshaft position sensor (PHASE) (bank 1)	<p><b>[Engine is running]</b></p> <ul style="list-style-type: none"> <li>● Warm-up condition</li> <li>● Idle speed</li> </ul>	<p>1.0 - 4.0V★</p>  <p style="text-align: right; font-size: small;">PBIB1039E</p>
			<p><b>[Engine is running]</b></p> <ul style="list-style-type: none"> <li>● Engine speed is 2,000 rpm.</li> </ul>	<p>1.0 - 4.0V★</p>  <p style="text-align: right; font-size: small;">PBIB1040E</p>

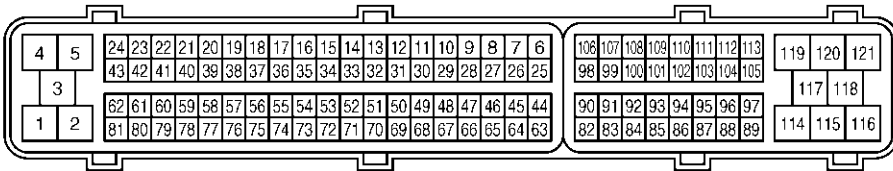
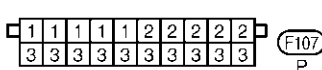
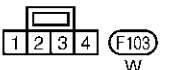
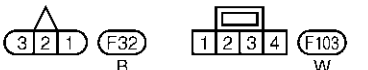
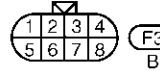
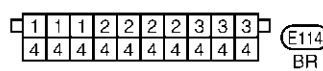
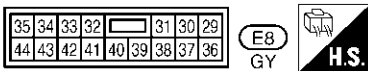
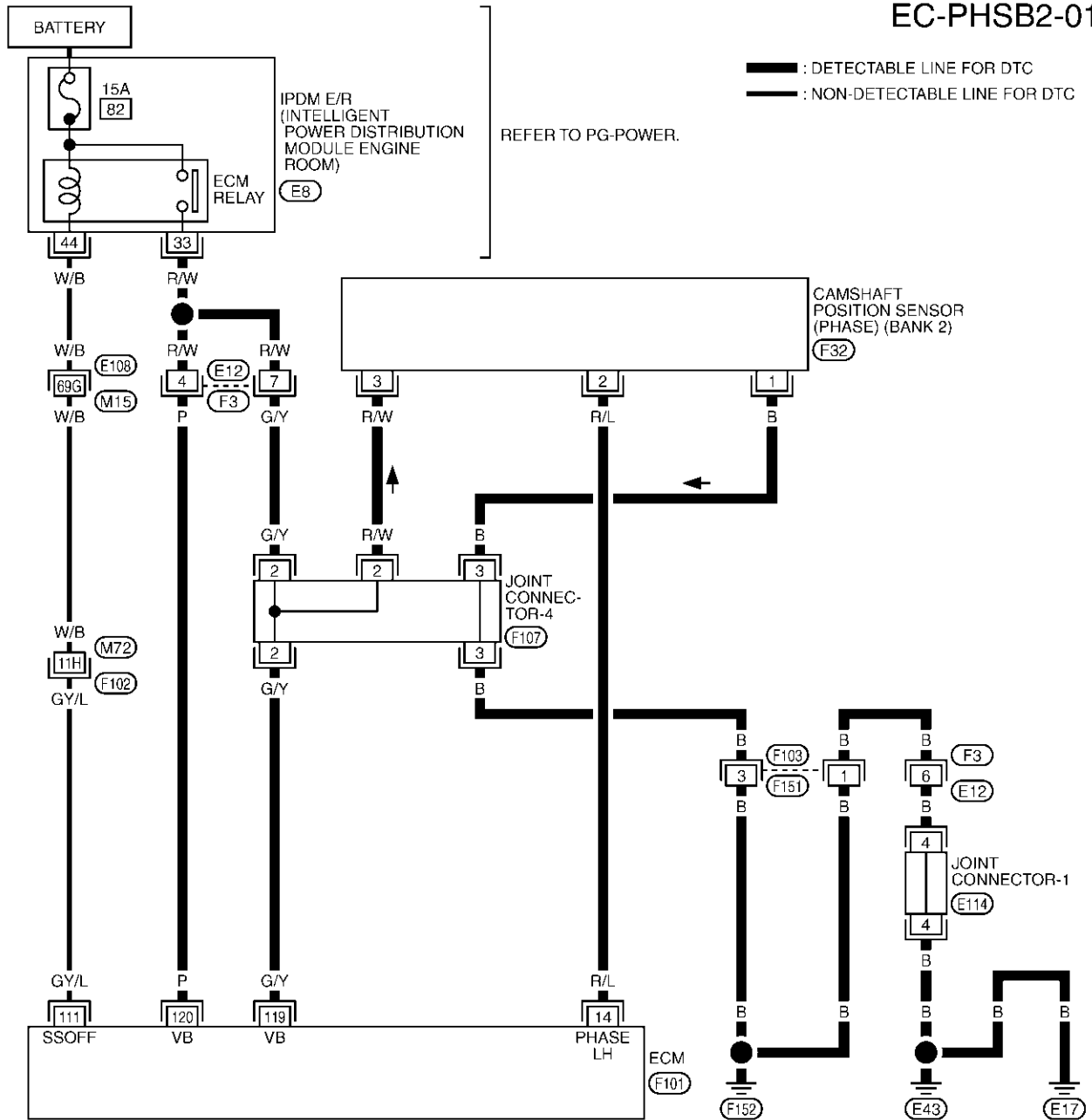
★: Average voltage for pulse signal (Actual pulse signal can be confirmed by oscilloscope.)



# DTC P0340, P0345 CMP SENSOR (PHASE)

## BANK 2

## EC-PHSB2-01



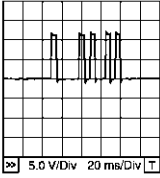
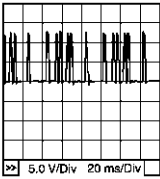
TBWT0219E

# DTC P0340, P0345 CMP SENSOR (PHASE)

Specification data are reference values and are measured between each terminal and ground.

**CAUTION:**

**Do not use ECM ground terminals when measuring input/output voltage. Doing so may result in damage to the ECM's transistor. Use a ground other than ECM terminals, such as the ground.**

TER-MINAL NO.	WIRE COLOR	ITEM	CONDITION	DATA (DC Voltage)
14	R/L	Camshaft position sensor (PHASE) (bank 2)	<p>[Engine is running]</p> <ul style="list-style-type: none"> <li>● Warm-up condition</li> <li>● Idle speed</li> </ul>	<p>1.0 - 4.0V★</p>  <p style="text-align: right;">PBIB1039E</p>
			<p>[Engine is running]</p> <ul style="list-style-type: none"> <li>● Engine speed is 2,000 rpm.</li> </ul>	<p>1.0 - 4.0V★</p>  <p style="text-align: right;">PBIB1040E</p>

★: Average voltage for pulse signal (Actual pulse signal can be confirmed by oscilloscope.)

## Diagnostic Procedure

ABS000Y8

### 1. CHECK STARTING SYSTEM

Turn ignition switch to "START" position.

**Does the engine turn over?**

**Does the starter motor operate?**

Yes or No

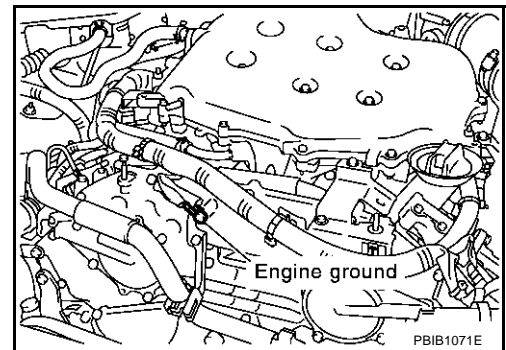
Yes >> GO TO 2.

No >> Check starting system. (Refer to [SC-10, "STARTING SYSTEM"](#) .)

### 2. RETIGHTEN GROUND SCREWS

1. Turn ignition switch "OFF".
2. Loosen and retighten engine ground screws.

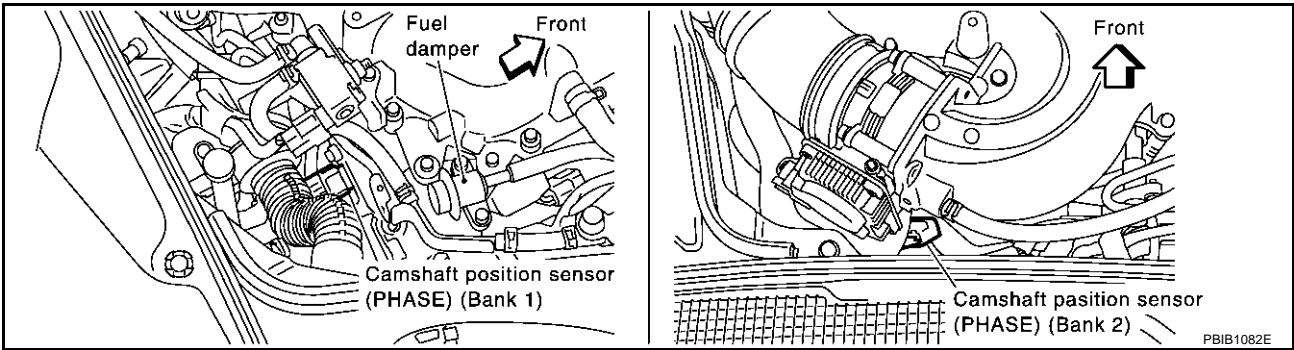
>> GO TO 3.



## DTC P0340, P0345 CMP SENSOR (PHASE)

### 3. CHECK CAMSHAFT POSITION (CMP) SENSOR (PHASE) POWER SUPPLY CIRCUIT

1. Disconnect camshaft position (CMP) sensor (PHASE) harness connector.



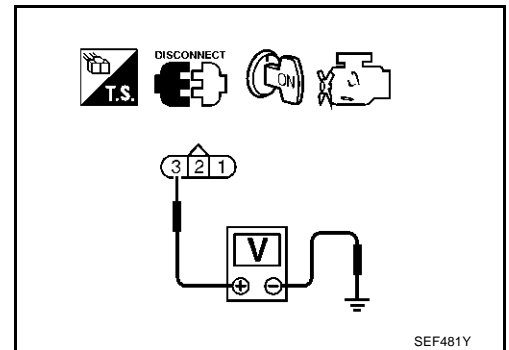
2. Turn ignition switch "ON".
3. Check voltage between CMP sensor (PHASE) terminal 3 and ground with CONSULT-II or tester.

**Voltage: Battery voltage**

4. Also check harness for short to ground and short to power.

OK or NG

- OK >> GO TO 5.
- NG >> GO TO 4.



### 4. DETECT MALFUNCTIONING PART

Check the following.

- Harness connectors E12, F3
- Joint connector-4
- Harness for open or short between camshaft position sensor (PHASE) and ECM
- Harness for open or short between camshaft position sensor (PHASE) and IPDM E/R

>> Repair open circuit or short to ground or short to power in harness or connectors.

### 5. CHECK CMP SENSOR (PHASE) GROUND CIRCUIT FOR OPEN AND SHORT

1. Turn ignition switch "OFF".
2. Check harness continuity between CMP sensor (PHASE) terminal 1 and engine ground.

**Continuity should exist.**

3. Also check harness for short to power.

OK or NG

- OK >> GO TO 7.
- NG >> GO TO 6.

## DTC P0340, P0345 CMP SENSOR (PHASE)

### 6. DETECT MALFUNCTIONING PART

Check the following.

- Harness connectors F103, F151
- Harness connectors E12, F3
- Joint connector-1
- Joint connector-4
- Harness for open or short between CMP sensor (PHASE) and engine ground

>> Repair open circuit or short to power in harness or connectors.

### 7. CHECK CMP SENSOR (PHASE) INPUT SIGNAL CIRCUIT FOR OPEN AND SHORT

1. Disconnect ECM harness connector.
2. Check harness continuity between ECM terminal 33 or 14 and CMP sensor (PHASE) terminal 2. Refer to Wiring Diagram.

**Continuity should exist.**

3. Also check harness for short to ground or short to power.

OK or NG

OK >> GO TO 8.

NG >> Repair open circuit or short to ground or short to power in harness or connectors.

### 8. CHECK CAMSHAFT POSITION SENSOR (PHASE)

Refer to [EC-317, "Component Inspection"](#) .

OK or NG

OK >> GO TO 9.

NG >> Replace camshaft position sensor (PHASE).

### 9. CHECK CAMSHAFT (INTAKE)

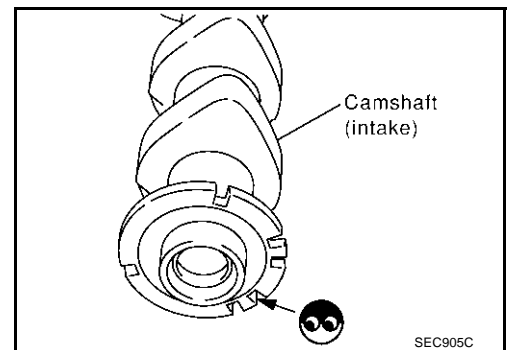
Check the following.

- Accumulation of debris to the signal plate of camshaft rear end
- Chipping signal plate of camshaft rear end

OK or NG

OK >> GO TO 10.

NG >> Remove debris and clean the signal plate of camshaft rear end or replace camshaft.



### 10. CHECK INTERMITTENT INCIDENT

Refer to [EC-137, "TROUBLE DIAGNOSIS FOR INTERMITTENT INCIDENT"](#) .

>> INSPECTION END

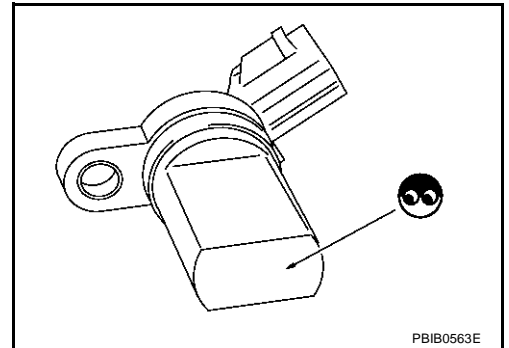
# DTC P0340, P0345 CMP SENSOR (PHASE)

ABS000Y9

A  
EC  
C  
D  
E  
F  
G  
H  
I  
J  
K  
L  
M

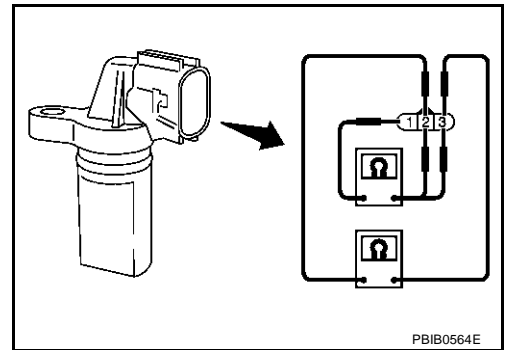
## Component Inspection CAMSHAFT POSITION SENSOR (PHASE)

1. Loosen the fixing bolt of the sensor.
2. Disconnect camshaft position sensor (PHASE) harness connector.
3. Remove the sensor.
4. Visually check the sensor for chipping.



5. Check resistance as shown in the figure.

Terminal No. (Polarity)	Resistance $\Omega$ [at 25°C (77°F)]
1 (+) - 2 (-)	Except 0 or $\infty$
1 (+) - 3 (-)	
2 (+) - 3 (-)	



## Removal and Installation CAMSHAFT POSITION SENSOR (PHASE)

Refer to [EM-65. "CAMSHAFT"](#) .

ABS000YA

# DTC P0420, P0430 THREE WAY CATALYST FUNCTION

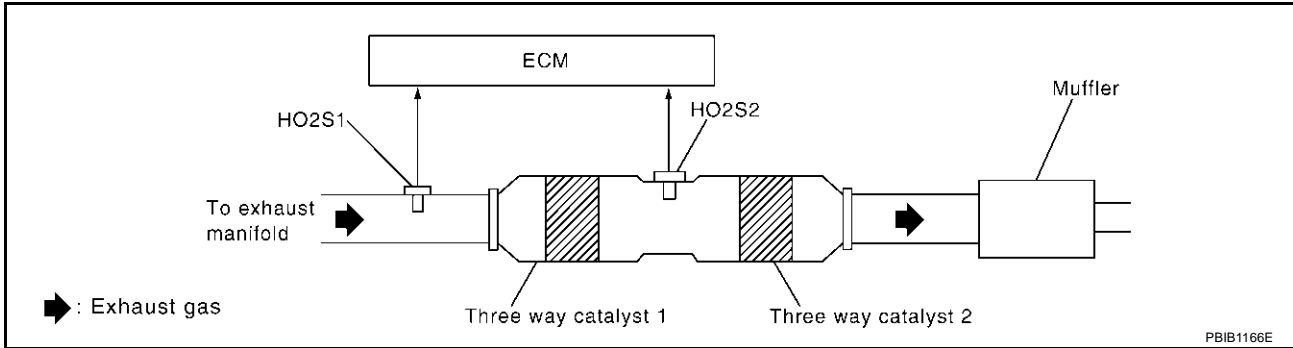
## DTC P0420, P0430 THREE WAY CATALYST FUNCTION

PFP:20905

### On Board Diagnosis Logic

ABS000YB

The ECM monitors the switching frequency ratio of heated oxygen sensors 1 and 2.



A three way catalyst 1 with high oxygen storage capacity will indicate a low switching frequency of heated oxygen sensor 2. As oxygen storage capacity decreases, the heated oxygen sensor 2 switching frequency will increase.

When the frequency ratio of heated oxygen sensors 1 and 2 approaches a specified limit value, the three way catalyst 1 malfunction is diagnosed.

DTC No.	Trouble diagnosis name	DTC detecting condition	Possible cause
P0420 0420 (Bank 1)	Catalyst system efficiency below threshold	<ul style="list-style-type: none"> <li>• Three way catalyst 1 does not operate properly.</li> <li>• Three way catalyst 1 does not have enough oxygen storage capacity.</li> </ul>	<ul style="list-style-type: none"> <li>• Three way catalyst 1</li> <li>• Exhaust tube</li> <li>• Intake air leaks</li> <li>• Fuel injectors</li> <li>• Fuel injector leaks</li> <li>• Spark plug</li> <li>• Improper ignition timing</li> </ul>
P0430 0430 (Bank 2)			

### DTC Confirmation Procedure

ABS000YC

#### NOTE:

If "DTC Confirmation Procedure" has been previously conducted, always turn ignition switch "OFF" and wait at least 10 seconds before conducting the next test.

#### WITH CONSULT-II

#### TESTING CONDITION:

Do not hold engine speed for more than the specified minutes below.

1. Turn ignition switch "ON" and select "DATA MONITOR" mode with CONSULT-II.
2. Start engine and warm it up to the normal operating temperature.
3. Turn ignition switch "OFF" and wait at least 10 seconds.
4. Start engine and keep the engine speed between 3,500 and 4,000 rpm for at least one minute under no load.
5. Let engine idle for one minutes.
6. Make sure that "COOLAN TEMP/S" indicates more than 70°C (158°F).  
If not, warm up engine and go to next step when "COOLAN TEMP/S" indication reaches to 70°C (158°F).
7. Open engine hood.

DATA MONITOR	
MONITOR	NO DTC
ENG SPEED	XXX rpm
COOLAN TEMP/S	XXX °C
VHCL SPEED SE	XXX km/h
B/FUEL SCHDL	XXX msec

SEF189Y

# DTC P0420, P0430 THREE WAY CATALYST FUNCTION

8. Select "DTC & SRT CONFIRMATION" then "SRT WORK SUPPORT" mode with CONSULT-II.
9. Rev engine up to 2,000 to 3,000 rpm and hold it for 3 consecutive minutes then release the accelerator pedal completely. If "INCMP" of "CATALYST" changed to "CMPLT", go to step 12.
10. Wait 5 seconds at idle.

SRT WORK SUPPORT	
CATALYST	INCMP
EVAP SYSTEM	INCMP
HO2S HTR	CMPLT
HO2S	INCMP
MONITOR	
ENG SPEED	XXX rpm
MAS A/F SE-B1	XXX V
B/FUEL SCHDL	XXX msec
A/F ALPHA-B1	XXX V
COOLAN TEMP/S	XX °C
HO2S1 (B1)	XXX V

SEF940Z

11. Rev engine up to 2,000 to 3,000 rpm and maintain it until "INCMP" of "CATALYST" changes to "CMPLT" (It will take approximately 5 minutes). If not "CMPLT", stop engine and cool it down to less than 70°C (158°F) and then retest from step 1.

SRT WORK SUPPORT	
CATALYST	CMPLT
EVAP SYSTEM	INCMP
HO2S HTR	CMPLT
HO2S	INCMP
MONITOR	
ENG SPEED	XXX rpm
MAS A/F SE-B1	XXX V
B/FUEL SCHDL	XXX msec
A/F ALPHA-B1	XXX V
COOLAN TEMP/S	XX °C
HO2S1 (B1)	XXX V

SEF941Z

12. Select "SELF-DIAG RESULTS" mode with CONSULT-II.
13. Confirm that the 1st trip DTC is not detected. If the 1st trip DTC is detected, go to [EC-320, "Diagnostic Procedure"](#).

SELF DIAG RESULTS	
DTC RESULTS	TIME
NO DTC IS DETECTED. FURTHER TESTING MAY BE REQUIRED.	

SEF535Z

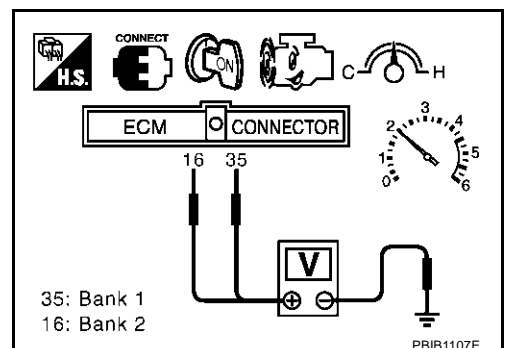
## Overall Function Check

ABS000YD

Use this procedure to check the overall function of the three way catalyst 1. During this check, a DTC might not be confirmed.

### WITH GST

1. Turn ignition switch "OFF" and wait at least 10 seconds.
2. Start engine and keep the engine speed between 3,500 and 4,000 rpm for at least one minute under no load.
3. Let engine idle for one minutes.
4. Open engine hood.
5. Set voltmeters probes between ECM terminals 35 [HO2S1 (bank 1) signal], 16 [HO2S1 (bank 2) signal] and engine ground, and ECM terminals 74 [HO2S2 (bank 1) signal], 55 [HO2S2 (bank 2) signal] and engine ground.
6. Keep engine speed at 2,000 rpm constant under no load.



# DTC P0420, P0430 THREE WAY CATALYST FUNCTION

7. Make sure that the voltage switching frequency (high & low) between ECM terminals 74 and engine ground, or 55 and engine ground is very less than that of ECM terminals 35 and engine ground, or 16 and engine ground.

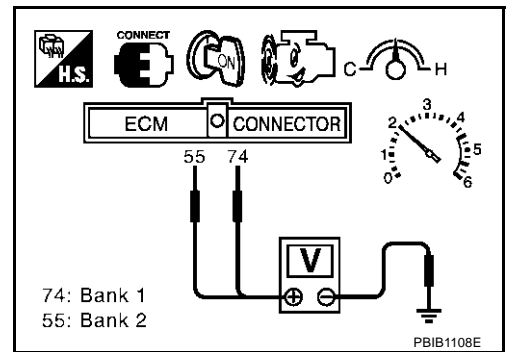
**Switching frequency ratio = A/B**

**A: Heated oxygen sensor 2 voltage switching frequency**

**B: Heated oxygen sensor 1 voltage switching frequency**

**This ratio should be less than 0.75.**

If the ratio is greater than above, it means three way catalyst 1 does not operate properly. Go to [EC-320, "Diagnostic Procedure"](#).



## NOTE:

If the voltage at terminal 35 or 16 does not switch periodically more than 5 times within 10 seconds at step 7, perform trouble diagnosis for "DTC P0133, P0153" first. (See [EC-217](#).)

## Diagnostic Procedure

ABS000YE

### 1. CHECK EXHAUST SYSTEM

Visually check exhaust tubes and muffler for dent.

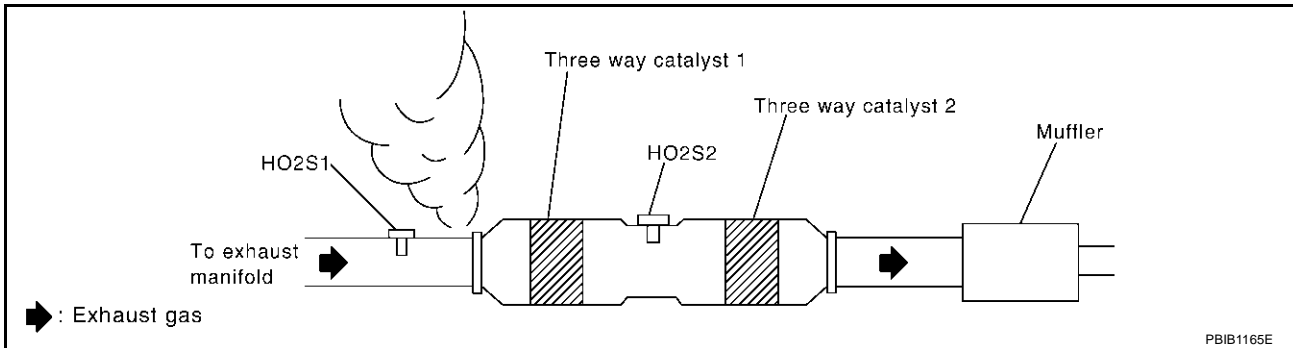
OK or NG

OK >> GO TO 2.

NG >> Repair or replace.

### 2. CHECK EXHAUST AIR LEAK

1. Start engine and run it at idle.
2. Listen for an exhaust air leak before the three way catalyst 1.



OK or NG

OK >> GO TO 3.

NG >> Repair or replace.

### 3. CHECK INTAKE AIR LEAK

Listen for an intake air leak after the mass air flow sensor.

OK or NG

OK >> GO TO 4.

NG >> Repair or replace.



# DTC P0420, P0430 THREE WAY CATALYST FUNCTION

## 4. CHECK IGNITION TIMING

Check the following items. Refer to [EC-86, "Basic Inspection"](#) .

Items	Specifications	
Target idle speed	A/T	650 ± 50 rpm (in "P" or "N" position)
	M/T	650 ± 50 rpm (in "N" position)
Ignition timing	A/T	15 ± 5° BTDC (in "P" or "N" position)
	M/T	15 ± 5° BTDC (in "N" position)

OK or NG

OK >> GO TO 5.

NG >> Follow the [EC-86, "Basic Inspection"](#) .

## 5. CHECK INJECTORS

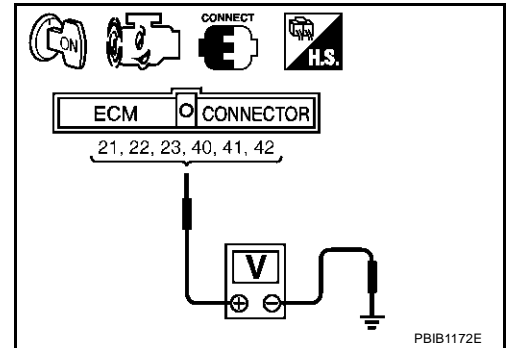
1. Stop engine and then turn ignition switch "ON".
2. Check voltage between ECM terminals 21, 22, 23, 40, 41, 42 and ground with CONSULT-II or tester.  
Refer to Wiring Diagram for Injectors, [EC-594](#) .

**Battery voltage should exist.**

OK or NG

OK >> GO TO 6.

NG >> Perform [EC-595, "Diagnostic Procedure"](#) .



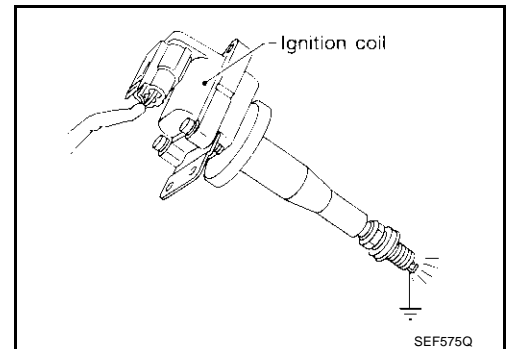
## 6. CHECK IGNITION SPARK

1. Turn ignition switch "OFF".
2. Disconnect ignition coil assembly from rocker cover.
3. Connect a known good spark plug to the ignition coil assembly.
4. Place end of spark plug against a suitable ground and crank engine.
5. Check for spark.

OK or NG

OK >> GO TO 7.

NG >> Check ignition coil with power transistor and their circuit.  
Refer to [EC-581, "IGNITION SIGNAL"](#) .



## DTC P0420, P0430 THREE WAY CATALYST FUNCTION

---

### 7. CHECK INJECTOR

---

1. Turn ignition switch "OFF".
2. Remove injector assembly.  
Refer to [EM-34, "FUEL INJECTOR AND FUEL TUBE"](#) .  
Keep fuel hose and all injectors connected to injector gallery.
3. Disconnect all ignition coil harness connectors.
4. Turn ignition switch "ON".  
Make sure fuel does not drip from injector.

#### OK or NG

OK (Does not drip.)>>GO TO 8.

NG (Drips.)>>Replace the injector(s) from which fuel is dripping.

### 8. CHECK INTERMITTENT INCIDENT

---

Refer to [EC-137, "TROUBLE DIAGNOSIS FOR INTERMITTENT INCIDENT"](#) .

Trouble is fixed.>>**INSPECTION END**

Trouble is not fixed.>>Replace three way catalyst assembly.

# DTC P0441 EVAP CONTROL SYSTEM

## DTC P0441 EVAP CONTROL SYSTEM

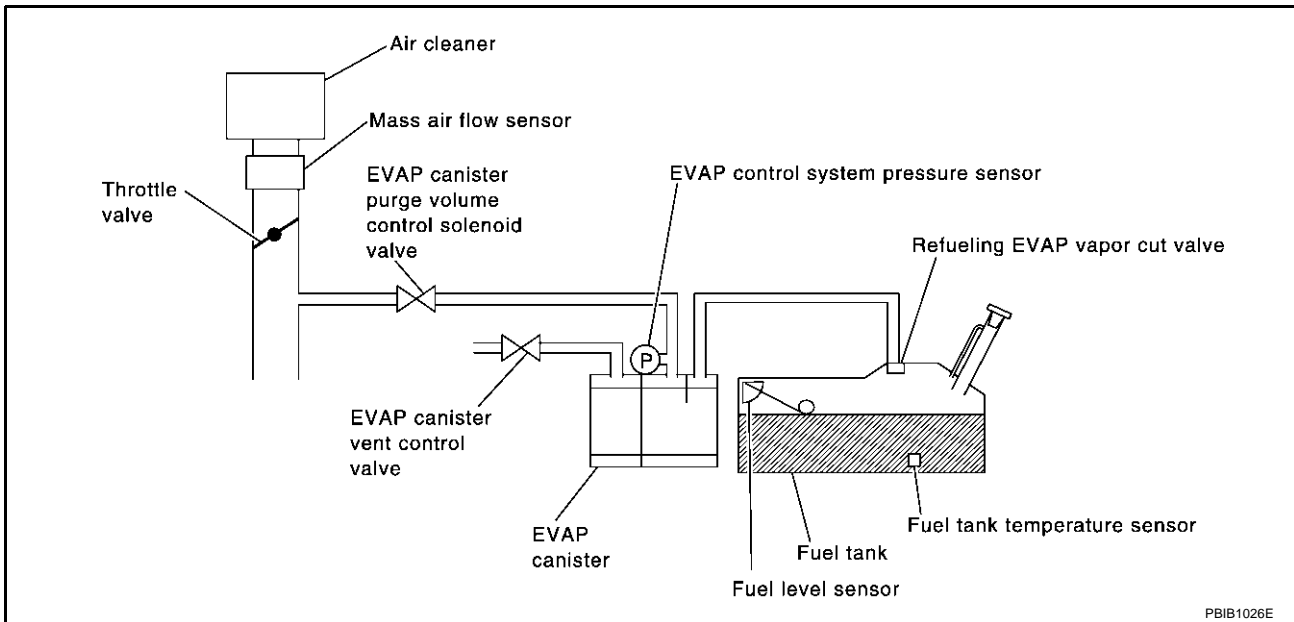
PFP:14950

### System Description

ABS000YF

#### NOTE:

If DTC P0441 is displayed with other DTC such as P2122, P2123, P2127, P2128 or P2138, first perform trouble diagnosis for other DTC.



In this evaporative emission (EVAP) control system, purge flow occurs during non-closed throttle conditions. Purge volume is related to air intake volume. Under normal purge conditions (non-closed throttle), the EVAP canister purge volume control solenoid valve is open to admit purge flow. Purge flow exposes the EVAP control system pressure sensor to intake manifold vacuum.

### On Board Diagnosis Logic

ABS000YG

Under normal conditions (non-closed throttle), sensor output voltage indicates if pressure drop and purge flow are adequate. If not, a malfunction is determined.

DTC No.	Trouble diagnosis name	DTC detecting condition	Possible cause
P0441 0441	EVAP control system incorrect purge flow	EVAP control system does not operate properly, EVAP control system has a leak between intake manifold and EVAP control system pressure sensor.	<ul style="list-style-type: none"> <li>● EVAP canister purge volume control solenoid valve stuck closed</li> <li>● EVAP control system pressure sensor and the circuit</li> <li>● Loose, disconnected or improper connection of rubber tube</li> <li>● Blocked rubber tube</li> <li>● Cracked EVAP canister</li> <li>● EVAP canister purge volume control solenoid valve circuit</li> <li>● Accelerator pedal position sensor</li> <li>● Blocked purge port</li> <li>● EVAP canister vent control valve</li> </ul>

### DTC Confirmation Procedure

ABS000YH

#### CAUTION:

Always drive vehicle at a safe speed.

#### NOTE:

If "DTC Confirmation Procedure" has been previously conducted, always turn ignition switch "OFF" and wait at least 10 seconds before conducting the next test.

#### TESTING CONDITION:

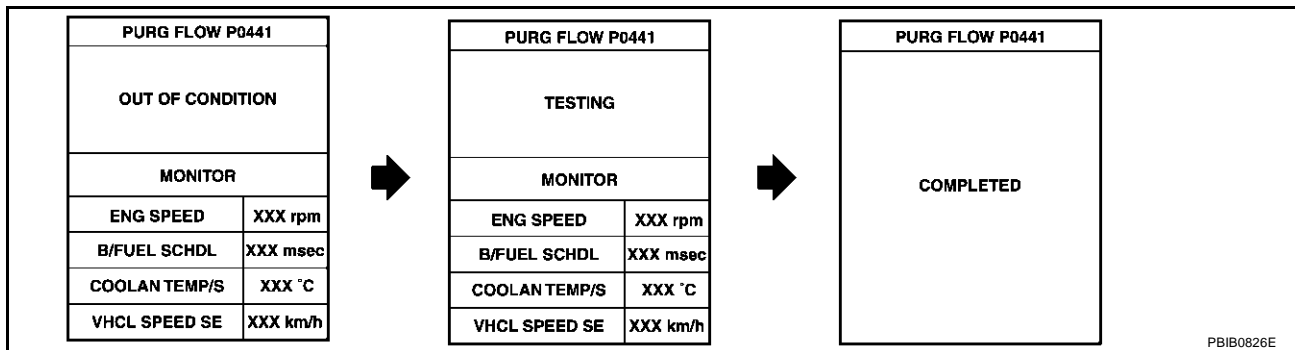
Always perform test at a temperature of 5°C (41°F) or more.

# DTC P0441 EVAP CONTROL SYSTEM

## WITH CONSULT-II

1. Start engine and warm it up to normal operating temperature.
2. Turn ignition switch "OFF" and wait at least 10 seconds.
3. Start engine and let it idle for at least 70 seconds.
4. Select "PURG FLOW P0441" of "EVAPORATIVE SYSTEM" in "DTC CONFIRMATION" mode with CONSULT-II.
5. Touch "START".  
If "COMPLETED" is displayed, go to step 7.
6. When the following conditions are met, "TESTING" will be displayed on the CONSULT-II screen. Maintain the conditions continuously until "TESTING" changes to "COMPLETED". (It will take at least 35 seconds.)

Selector lever	Suitable position
Vehicle speed	32 - 120 km/h (20 - 75 MPH)
ENG SPEED	500 - 3,000 rpm
B/FUEL SCHDL	1.3 - 9.0 msec
Engine coolant temperature	70 - 100°C (158 - 212°F)



If "TESTING" is not changed for a long time, retry from step 2.

7. Make sure that "OK" is displayed after touching "SELF-DIAG RESULTS". If "NG" is displayed, refer to [EC-325, "Diagnostic Procedure"](#).

## Overall Function Check

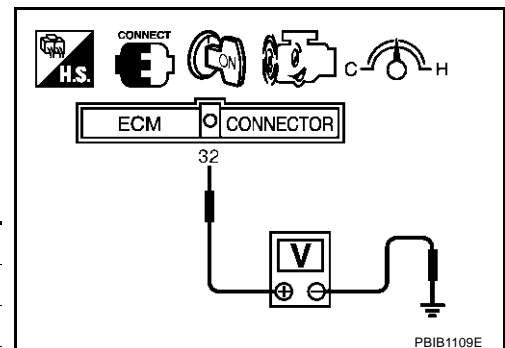
ABS000YI

Use this procedure to check the overall monitoring function of the EVAP control system purge flow monitoring. During this check, a DTC might not be confirmed.

## WITH GST

1. Lift up drive wheels.
2. Start engine (TCS switch or VDC switch "OFF") and warm it up to normal operating temperature.
3. Turn ignition switch "OFF", wait at least 10 seconds.
4. Start engine and wait at least 70 seconds.
5. Set voltmeter probes to ECM terminals 32 (EVAP control system pressure sensor signal) and ground.
6. Check EVAP control system pressure sensor value at idle speed and note it.
7. Establish and maintain the following conditions for at least 1 minute.

Air conditioner switch	ON
Headlamp switch	ON
Rear window defogger switch	ON
Engine speed	Approx. 3,000 rpm
Gear position	Any position other than "P", "N" or "R"



8. Verify that EVAP control system pressure sensor value stays 0.1V less than the value at idle speed (measured at step 6) for at least 1 second.

# DTC P0441 EVAP CONTROL SYSTEM

9. If NG, go to [EC-325, "Diagnostic Procedure"](#).

## Diagnostic Procedure

ABS000YJ

### 1. CHECK EVAP CANISTER

1. Turn ignition switch "OFF".
2. Check EVAP canister for cracks.

#### OK or NG

- OK (With CONSULT-II)>>GO TO 2.  
OK (Without CONSULT-II)>>GO TO 3.  
NG >> Replace EVAP canister.

### 2. CHECK PURGE FLOW

#### Ⓟ With CONSULT-II

1. Disconnect vacuum hose connected to EVAP canister purge volume control solenoid valve at EVAP service port and install vacuum gauge. For the location of EVAP service port, refer to [EC-634, "EVAPORATIVE EMISSION LINE DRAWING"](#).
2. Start engine and let it idle.
3. Select "PURG VOL CONT/V" in "ACTIVE TEST" mode with CONSULT-II.
4. Rev engine up to 2,000 rpm.
5. Touch "Qd" and "Qu" on CONSULT-II screen to adjust "PURG VOL CONT/V" opening and check vacuum existence.

PURG VOL CONT/V	Vacuum
100.0%	Should exist.
0.0%	Should not exist.

#### OK or NG

- OK >> GO TO 7.  
NG >> GO TO 4.

ACTIVE TEST	
PURG VOL CONT/V	0 %
MONITOR	
ENG SPEED	XXX rpm
HO2S1 MNTR (B1)	LEAN
HO2S1 MNTR (B2)	LEAN
A/F ALPHA-B1	XXX %
A/F ALPHA-B2	XXX %

PBIB0147E

### 3. CHECK PURGE FLOW

#### ⓧ Without CONSULT-II

1. Start engine and warm it up to normal operating temperature.
2. Stop engine.
3. Disconnect vacuum hose connected to EVAP canister purge volume control solenoid valve at EVAP service port and install vacuum gauge. For the location of EVAP service port, refer to [EC-634, "EVAPORATIVE EMISSION LINE DRAWING"](#).
4. Start engine and let it idle for at least 80 seconds.
5. Check vacuum gauge indication when revving engine up to 2,000 rpm.

**Vacuum should exist.**

6. Release the accelerator pedal fully and let idle.

**Vacuum should not exist.**

#### OK or NG

- OK >> GO TO 7.  
NG >> GO TO 4.

# DTC P0441 EVAP CONTROL SYSTEM

## 4. CHECK EVAP PURGE LINE

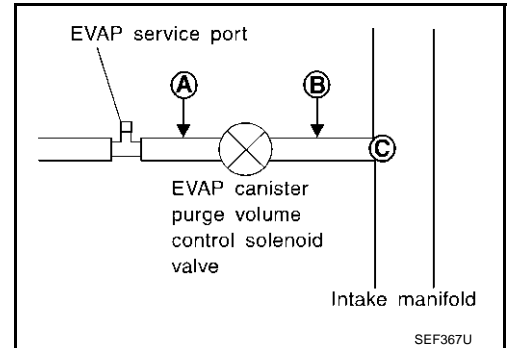
1. Turn ignition switch "OFF".
2. Check EVAP purge line for improper connection or disconnection.  
Refer to [EC-634, "EVAPORATIVE EMISSION LINE DRAWING"](#) .

OK or NG

- OK >> GO TO 5.  
NG >> Repair it.

## 5. CHECK EVAP PURGE HOSE AND PURGE PORT

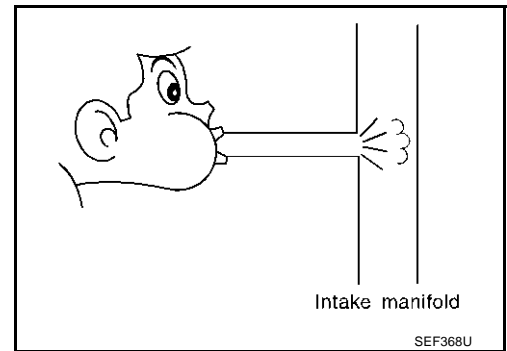
1. Disconnect purge hoses connected to EVAP service port **A** and EVAP canister purge volume control solenoid valve **B** .
2. Blow air into each hose and EVAP purge port **C** .



3. Check that air flows freely.

OK or NG

- OK (With CONSULT-II)>>GO TO 6.  
OK (Without CONSULT-II)>>GO TO 7.  
NG >> Repair or clean hoses and/or purge port.



## 6. CHECK EVAP CANISTER PURGE VOLUME CONTROL SOLENOID VALVE

 **With CONSULT-II**

1. Start engine.
2. Perform "PURG VOL CONT/V" in "ACTIVE TEST" mode with CONSULT-II. Check that engine speed varies according to the valve opening.

OK or NG

- OK >> GO TO 8.  
NG >> GO TO 7.

ACTIVE TEST	
PURG VOL CONT/V	0 %
MONITOR	
ENG SPEED	XXX rpm
HO2S1 MNTR (B1)	LEAN
HO2S1 MNTR (B2)	LEAN
A/F ALPHA-B1	XXX %
A/F ALPHA-B2	XXX %

PBIB0147E

## 7. CHECK EVAP CANISTER PURGE VOLUME CONTROL SOLENOID VALVE

Refer to [EC-343, "Component Inspection"](#) .

OK or NG

- OK >> GO TO 8.  
NG >> Replace EVAP canister purge volume control solenoid valve.

# DTC P0441 EVAP CONTROL SYSTEM

---

## 8. CHECK EVAP CONTROL SYSTEM PRESSURE SENSOR CONNECTOR

---

1. Disconnect EVAP control system pressure sensor harness connector.
2. Check connectors for water.

**Water should not exist.**

OK or NG

- OK >> GO TO 9.  
NG >> Replace EVAP control system pressure sensor.

---

## 9. CHECK EVAP CONTROL SYSTEM PRESSURE SENSOR FUNCTION

---

Refer to "DTC Confirmation Procedure" for DTC P0452 [EC-356](#) , P0453 [EC-362](#) .

OK or NG

- OK >> GO TO 10.  
NG >> Replace EVAP control system pressure sensor.

---

## 10. CHECK RUBBER TUBE FOR CLOGGING

---

1. Disconnect rubber tube connected to EVAP canister vent control valve.
2. Check the rubber tube for clogging.

OK or NG

- OK >> GO TO 11.  
NG >> Clean the rubber tube using an air blower.

---

## 11. CHECK EVAP CANISTER VENT CONTROL VALVE

---

Refer to [EC-350, "Component Inspection"](#) .

OK or NG

- OK >> GO TO 12.  
NG >> Replace EVAP canister vent control valve.

---

## 12. CHECK EVAP PURGE LINE

---

Inspect EVAP purge line (pipe and rubber tube). Check for evidence of leaks.  
Refer to [EC-634, "EVAPORATIVE EMISSION LINE DRAWING"](#) .

OK or NG

- OK >> GO TO 13.  
NG >> Replace it.

---

## 13. CLEAN EVAP PURGE LINE

---

Clean EVAP purge line (pipe and rubber tube) using air blower.

>> GO TO 14.

---

## 14. CHECK INTERMITTENT INCIDENT

---

Refer to [EC-137, "TROUBLE DIAGNOSIS FOR INTERMITTENT INCIDENT"](#) .

>> INSPECTION END

A

EC

C

D

E

F

G

H

I

J

K

L

M

# DTC P0442 EVAP CONTROL SYSTEM

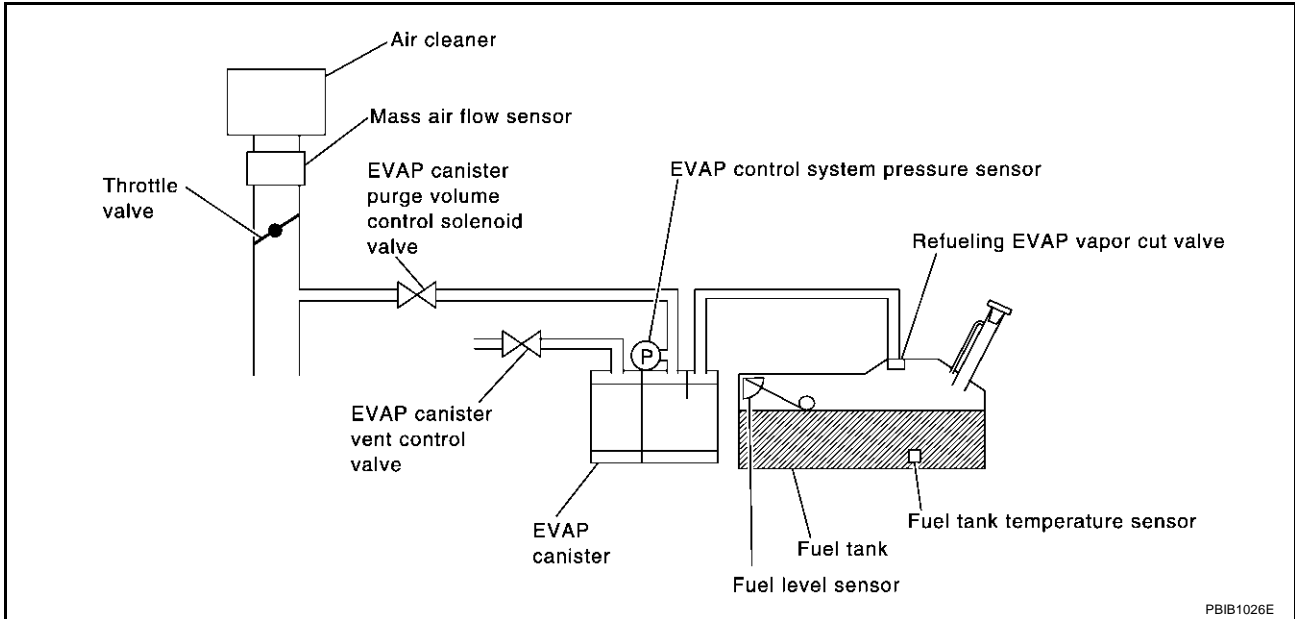
## DTC P0442 EVAP CONTROL SYSTEM

PFP:14950

### On Board Diagnosis Logic

ABS000YK

This diagnosis detects leaks in the EVAP purge line using engine intake manifold vacuum. If pressure does not increase, the ECM will check for leaks in the line between the fuel tank and EVAP canister purge volume control solenoid valve, under the following "Vacuum test" conditions. The EVAP canister vent control valve is closed to shut the EVAP purge line off. The EVAP canister purge volume control solenoid valve will then be opened to depressurize the EVAP purge line using intake manifold vacuum. After this occurs, the EVAP canister purge volume control solenoid valve will be closed.





# DTC P0442 EVAP CONTROL SYSTEM

DTC No.	Trouble diagnosis name	DTC detecting condition	Possible cause
P0442 0442	EVAP control system small leak detected (negative pressure)	EVAP control system has a leak, EVAP control system does not operate properly.	<ul style="list-style-type: none"> <li>● Incorrect fuel tank vacuum relief valve</li> <li>● Incorrect fuel filler cap used</li> <li>● Fuel filler cap remains open or fails to close.</li> <li>● Foreign matter caught in fuel filler cap.</li> <li>● Leak is in line between intake manifold and EVAP canister purge volume control solenoid valve.</li> <li>● Foreign matter caught in EVAP canister vent control valve.</li> <li>● EVAP canister or fuel tank leaks</li> <li>● EVAP purge line (pipe and rubber tube) leaks</li> <li>● EVAP purge line rubber tube bent</li> <li>● Blocked or bent rubber tube to EVAP control system pressure sensor</li> <li>● Loose or disconnected rubber tube</li> <li>● EVAP canister vent control valve and the circuit</li> <li>● EVAP canister purge volume control solenoid valve and the circuit</li> <li>● Fuel tank temperature sensor</li> <li>● O-ring of EVAP canister vent control valve is missing or damaged</li> <li>● EVAP canister is saturated with water</li> <li>● EVAP control system pressure sensor</li> <li>● Fuel level sensor and the circuit</li> <li>● Refueling EVAP vapor cut valve</li> <li>● ORVR system leaks</li> </ul>

**CAUTION:**

- Use only a genuine NISSAN fuel filler cap as a replacement. If an incorrect fuel filler cap is used, the MIL may come on.
- If the fuel filler cap is not tightened properly, the MIL may come on.
- Use only a genuine NISSAN rubber tube as a replacement.

## DTC Confirmation Procedure

ABS000YL

**NOTE:**

- If "DTC Confirmation Procedure" has been previously conducted, always turn ignition switch "OFF" and wait at least 10 seconds before conducting the next test.

**TESTING CONDITION:**

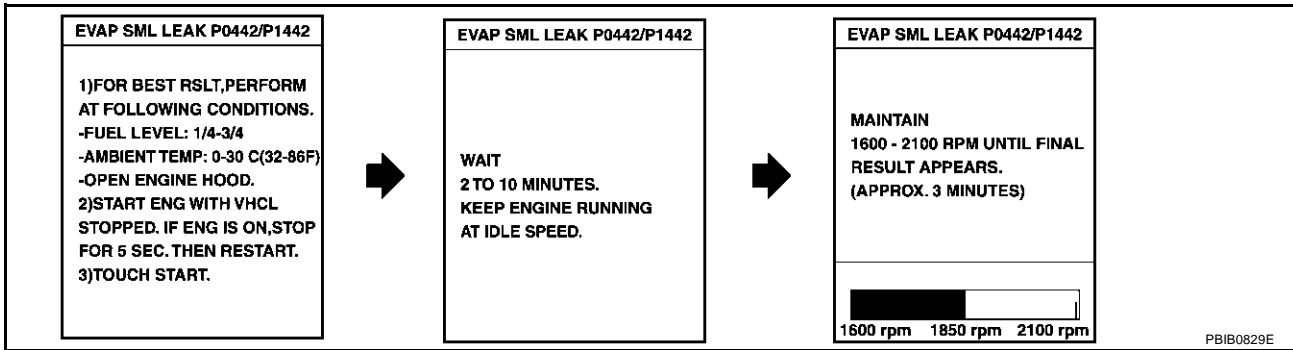
- Perform "DTC WORK SUPPORT" when the fuel level is between 1/4 and 3/4 full, and vehicle is placed on flat level surface.
- Always perform test at a temperature of 0 to 30°C (32 to 86°F).

**WITH CONSULT-II**

1. Turn ignition switch "ON".
2. Turn ignition switch "OFF" and wait at least 10 seconds.
3. Turn ignition switch "ON" and select "DATA MONITOR" mode with CONSULT-II.
4. Make sure that the following conditions are met.  
**COOLAN TEMP/S: 0 - 70°C (32 - 158°F)**  
**INT/A TEMP SE: 0 - 30°C (32 - 86°F)**
5. Select "EVAP SML LEAK P0442/P1442" of "EVAPORATIVE SYSTEM" in "DTC WORK SUPPORT" mode with CONSULT-II.

# DTC P0442 EVAP CONTROL SYSTEM

Follow the instruction displayed.



## NOTE:

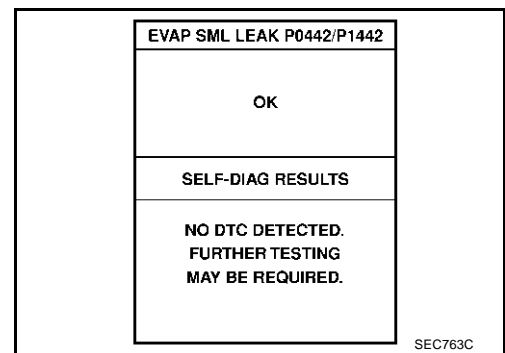
If the engine speed cannot be maintained within the range displayed on the CONSULT-II screen, go to [EC-86, "Basic Inspection"](#).

6. Make sure that "OK" is displayed.

If "NG" is displayed, refer to [EC-331, "Diagnostic Procedure"](#).

## NOTE:

**Make sure that EVAP hoses are connected to EVAP canister purge volume control solenoid valve properly.**



## WITH GST

### NOTE:

Be sure to read the explanation of "Driving Pattern" on [EC-66](#) before driving vehicle.

1. Start engine.
2. Drive vehicle according to "Driving Pattern", [EC-66](#).
3. Stop vehicle.
4. Select "MODE 1" with GST.
  - If SRT of EVAP system is not set yet, go to the following step.
  - If SRT of EVAP system is set, the result will be OK.
5. Turn ignition switch "OFF" and wait at least 10 seconds.
6. Start engine.

**It is not necessary to cool engine down before driving.**
7. Drive vehicle again according to the "Driving Pattern", [EC-66](#).
8. Stop vehicle.
9. Select "MODE 3" with GST.
  - If P0442 is displayed on the screen, go to [EC-331, "Diagnostic Procedure"](#).
  - If P0441 is displayed on the screen, go to "Diagnostic Procedure" for DTC P0441, [EC-325](#).
  - If P0441 and P0442 are not displayed on the screen, go to the following step.
10. Select "MODE 1" with GST.
  - If SRT of EVAP system is set, the result will be OK.
  - If SRT of EVAP system is not set, go to step 6.

# DTC P0442 EVAP CONTROL SYSTEM

## Diagnostic Procedure

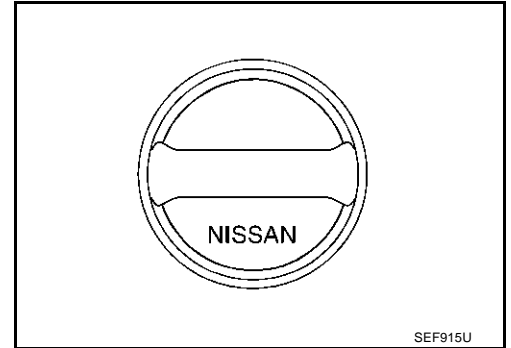
ABS000YM

### 1. CHECK FUEL FILLER CAP DESIGN

1. Turn ignition switch "OFF".
2. Check for genuine NISSAN fuel filler cap design.

#### OK or NG

- OK >> GO TO 2.  
NG >> Replace with genuine NISSAN fuel filler cap.



### 2. CHECK FUEL FILLER CAP INSTALLATION

Check that the cap is tightened properly by rotating the cap clockwise.

#### OK or NG

- OK >> GO TO 3.  
NG >> 1. Open fuel filler cap, then clean cap and fuel filler neck threads using air blower.  
2. Retighten until ratcheting sound is heard.

### 3. CHECK FUEL FILLER CAP FUNCTION

Check for air releasing sound while opening the fuel filler cap.

#### OK or NG

- OK >> GO TO 5.  
NG >> GO TO 4.

### 4. CHECK FUEL TANK VACUUM RELIEF VALVE

Refer to [EC-636. "FUEL TANK VACUUM RELIEF VALVE \(BUILT INTO FUEL FULLER CAP\)"](#) .

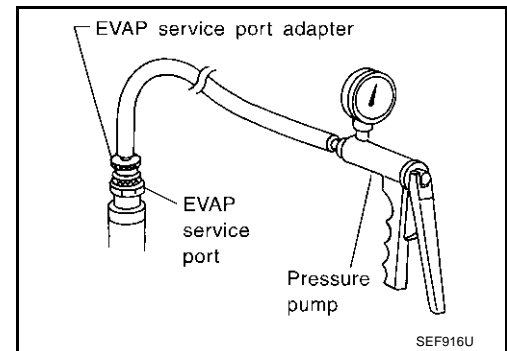
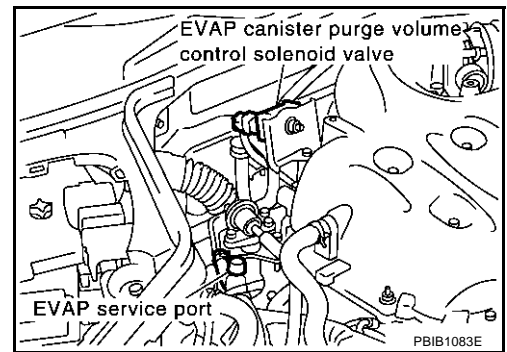
#### OK or NG

- OK >> GO TO 5.  
NG >> Replace fuel filler cap with a genuine one.

## DTC P0442 EVAP CONTROL SYSTEM

### 5. INSTALL THE PRESSURE PUMP

To locate the EVAP leak, install EVAP service port adapter and pressure pump to EVAP service port securely. For the location of EVAP service port, refer to [EC-634, "EVAPORATIVE EMISSION LINE DRAWING"](#).



#### NOTE:

Improper installation of the EVAP service port adapter to the EVAP service port may cause leaking.

Models with CONSULT-II>>GO TO 6.

Models without CONSULT-II>>GO TO 7.

# DTC P0442 EVAP CONTROL SYSTEM

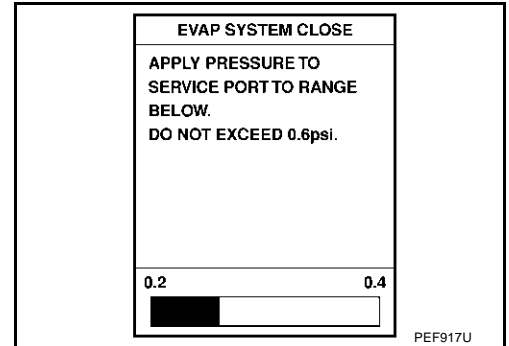
## 6. CHECK FOR EVAP LEAK

### With CONSULT-II

1. Turn ignition switch "ON".
2. Select "EVAP SYSTEM CLOSE" of "WORK SUPPORT" mode with CONSULT-II.
3. Touch "START" and apply pressure into the EVAP line until the pressure indicator reaches the middle of the bar graph.

#### NOTE:

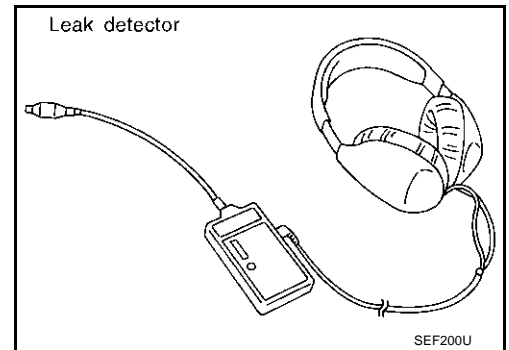
- Never use compressed air or a high pressure pump.
- Do not exceed 4.12 kPa (0.042 kg/cm<sup>2</sup> , 0.6 psi) of pressure in the system.



4. Using EVAP leak detector, locate the EVAP leak. For the leak detector, refer to the instruction manual for more details. Refer to [EC-634, "EVAPORATIVE EMISSION LINE DRAWING"](#)

#### OK or NG

- OK >> GO TO 8.  
NG >> Repair or replace.



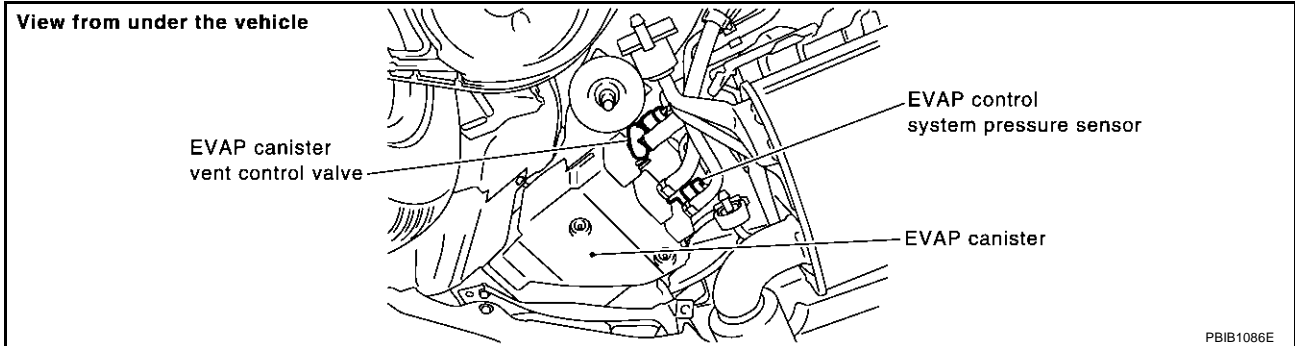
A  
EC  
C  
D  
E  
F  
G  
H  
I  
J  
K  
L  
M

# DTC P0442 EVAP CONTROL SYSTEM

## 7. CHECK FOR EVAP LEAK

### ⊗ Without CONSULT-II

1. Turn ignition switch "OFF".
2. Apply 12 volts DC to EVAP canister vent control valve. The valve will close. (Continue to apply 12 volts until the end of test.)



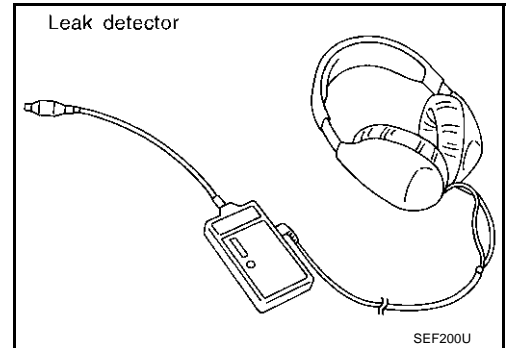
3. Pressurize the EVAP line using pressure pump with 1.3 to 2.7 kPa (10 to 20 mmHg, 0.39 to 0.79 inHg), then remove pump and EVAP service port adapter.

#### NOTE:

- Never use compressed air or a high pressure pump.
  - Do not exceed 4.12 kPa (0.042 kg/cm<sup>2</sup>, 0.6 psi) of pressure in the system.
4. Using EVAP leak detector, locate the EVAP leak. For the leak detector, refer to the instruction manual for more details. Refer to [EC-634, "EVAPORATIVE EMISSION LINE DRAWING"](#).

#### OK or NG

- OK >> GO TO 8.  
NG >> Repair or replace.



## 8. CHECK EVAP CANISTER VENT CONTROL VALVE

Check the following.

- EVAP canister vent control valve is installed properly.  
Refer to [EC-637, "Removal and Installation"](#).
- EVAP canister vent control valve.  
Refer to [EC-350, "Component Inspection"](#).

#### OK or NG

- OK >> GO TO 9.  
NG >> Repair or replace EVAP canister vent control valve and O-ring.

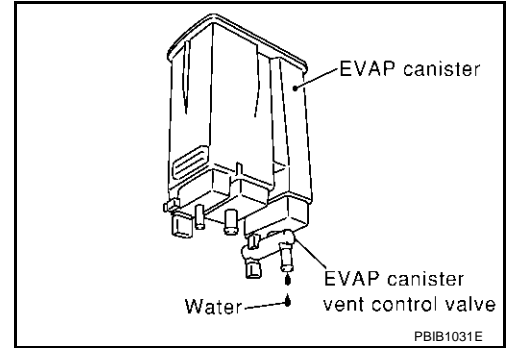
# DTC P0442 EVAP CONTROL SYSTEM

## 9. CHECK IF EVAP CANISTER SATURATED WITH WATER

1. Remove EVAP canister with EVAP canister vent control valve and EVAP control system pressure sensor attached.
2. Does water drain from the EVAP canister?

Yes or No

- Yes >> GO TO 10.  
No (With CONSULT-II)>>GO TO 12.  
No (Without CONSULT-II)>>GO TO 13.



## 10. CHECK EVAP CANISTER

Weigh the EVAP canister with the EVAP canister vent control valve and EVAP control system pressure sensor attached.

**The weight should be less than 2.2 kg (4.9 lb).**

OK or NG

- OK (With CONSULT-II)>>GO TO 12.  
OK (Without CONSULT-II)>>GO TO 13.  
NG >> GO TO 11.

## 11. DETECT MALFUNCTIONING PART

Check the following.

- EVAP canister for damage
- EVAP hose between EVAP canister and vehicle frame for clogging or poor connection

>> Repair hose or replace EVAP canister.

## 12. CHECK EVAP CANISTER PURGE VOLUME CONTROL SOLENOID VALVE OPERATION

Ⓜ With CONSULT-II

1. Disconnect vacuum hose to EVAP canister purge volume control solenoid valve at EVAP service port.
2. Start engine.
3. Perform "PURG VOL CONT/V" in "ACTIVE TEST" mode.
4. Touch "Qu" on CONSULT-II screen to increase "PURG VOL CONT/V" opening to 100.0%.
5. Check vacuum hose for vacuum when revving engine up to 2,000 rpm.

OK or NG

- OK >> GO TO 15.  
NG >> GO TO 14.

ACTIVE TEST	
PURG VOL CONT/V	0 %
MONITOR	
ENG SPEED	XXX rpm
HO2S1 MNTR (B1)	LEAN
HO2S1 MNTR (B2)	LEAN
A/F ALPHA-B1	XXX %
A/F ALPHA-B2	XXX %

PBIB0147E

## DTC P0442 EVAP CONTROL SYSTEM

---

### 13. CHECK EVAP CANISTER PURGE VOLUME CONTROL SOLENOID VALVE OPERATION

---

#### Without CONSULT-II

1. Start engine and warm it up to normal operating temperature.
2. Stop engine.
3. Disconnect vacuum hose to EVAP canister purge volume control solenoid valve at EVAP service port.
4. Start engine and let it idle for at least 80 seconds.
5. Check vacuum hose for vacuum when revving engine up to 2,000 rpm.

**Vacuum should exist.**

#### OK or NG

- OK >> GO TO 16.  
NG >> GO TO 14.

---

### 14. CHECK VACUUM HOSE

---

Check vacuum hoses for clogging or disconnection. Refer to [EC-23, "Vacuum Hose Drawing"](#) .

#### OK or NG

- OK >> GO TO 15.  
NG >> Repair or reconnect the hose.

---

### 15. CHECK EVAP CANISTER PURGE VOLUME CONTROL SOLENOID VALVE

---

Refer to [EC-343, "Component Inspection"](#) .

#### OK or NG

- OK >> GO TO 16.  
NG >> Replace EVAP canister purge volume control solenoid valve.

---

### 16. CHECK FUEL TANK TEMPERATURE SENSOR

---

Refer to [EC-281, "Component Inspection"](#) .

#### OK or NG

- OK >> GO TO 17.  
NG >> Replace fuel level sensor unit.

---

### 17. CHECK EVAP CONTROL SYSTEM PRESSURE SENSOR

---

Refer to [EC-360, "Component Inspection"](#) .

#### OK or NG

- OK >> GO TO 18.  
NG >> Replace EVAP control system pressure sensor.

---

### 18. CHECK EVAP PURGE LINE

---

Check EVAP purge line (pipe, rubber tube, fuel tank and EVAP canister) for cracks or improper connection. Refer to [EC-634, "EVAPORATIVE EMISSION LINE DRAWING"](#) .

#### OK or NG

- OK >> GO TO 19.  
NG >> Repair or reconnect the hose.

---

### 19. CLEAN EVAP PURGE LINE

---

Clean EVAP purge line (pipe and rubber tube) using air blower.

>> GO TO 20.



# DTC P0442 EVAP CONTROL SYSTEM

---

## 20. CHECK EVAP/ORVR LINE

---

Check EVAP/ORVR line between EVAP canister and fuel tank for clogging, kink, looseness and improper connection. For location, refer to [EC-640, "ON BOARD REFUELING VAPOR RECOVERY \(ORVR\)"](#) .

### OK or NG

- OK >> GO TO 21.
- NG >> Repair or replace hoses and tubes.

---

## 21. CHECK RECIRCULATION LINE

---

Check recirculation line between filler neck tube and fuel tank for clogging, kink, cracks, looseness and improper connection.

### OK or NG

- OK >> GO TO 22.
- NG >> Repair or replace hose, tube or filler neck tube.

---

## 22. CHECK REFUELING EVAP VAPOR CUT VALVE

---

Refer to [EC-643, "REFUELING EVAP VAPOR CUT VALVE"](#) .

### OK or NG

- OK >> GO TO 23.
- NG >> Replace refueling EVAP vapor cut valve with fuel tank.

---

## 23. CHECK FUEL LEVEL SENSOR

---

Refer to [DI-27, "FUEL LEVEL SENSOR UNIT CHECK"](#) .

### OK or NG

- OK >> GO TO 24.
- NG >> Replace fuel level sensor unit.

---

## 24. CHECK INTERMITTENT INCIDENT

---

Refer to [EC-137, "TROUBLE DIAGNOSIS FOR INTERMITTENT INCIDENT"](#) .

>> INSPECTION END

A

EC

C

D

E

F

G

H

I

J

K

L

M

# DTC P0444, P0445 EVAP CANISTER PURGE VOLUME CONTROL SOLENOID VALVE

## DTC P0444, P0445 EVAP CANISTER PURGE VOLUME CONTROL SOLENOID VALVE

PFP:14920

### Description SYSTEM DESCRIPTION

ABS000Y0

Sensor	Input Signal to ECM	ECM function	Actuator
Crankshaft position sensor (POS) Camshaft position sensor (PHASE)	Engine speed * <sup>1</sup>	EVAP canister purge flow control	EVAP canister purge vol- ume control solenoid valve
Mass air flow sensor	Amount of intake air		
Engine coolant temperature sensor	Engine coolant temperature		
Battery	Battery voltage* <sup>1</sup>		
Throttle position sensor	Throttle position		
Accelerator pedal position sensor	Accelerator pedal position		
Heated oxygen sensors 1	Density of oxygen in exhaust gas (Mixture ratio feedback signal)		
Fuel tank temperature sensor	Fuel temperature in fuel tank		
Vehicle speed signal* <sup>2</sup>	Vehicle speed		

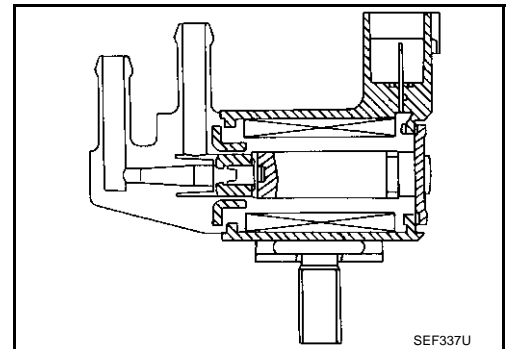
\*1:ECM determines the start signal status by the signals of engine speed and battery voltage.

\*2: This signal is sent to the ECM through CAN communication line.

This system controls flow rate of fuel vapor from the EVAP canister. The opening of the vapor by-pass passage in the EVAP canister purge volume control solenoid valve changes to control the flow rate. The EVAP canister purge volume control solenoid valve repeats ON/OFF operation according to the signal sent from the ECM. The opening of the valve varies for optimum engine control. The optimum value stored in the ECM is determined by considering various engine conditions. When the engine is operating, the flow rate of fuel vapor from the EVAP canister is regulated as the air flow changes.

### COMPONENT DESCRIPTION

The EVAP canister purge volume control solenoid valve uses a ON/OFF duty to control the flow rate of fuel vapor from the EVAP canister. The EVAP canister purge volume control solenoid valve is moved by ON/OFF pulses from the ECM. The longer the ON pulse, the greater the amount of fuel vapor that will flow through the valve.



### CONSULT-II Reference Value in Data Monitor Mode

ABS000YP

Specification data are reference values.

MONITOR ITEM	CONDITION	SPECIFICATION
PURG VOL C/V	● Engine: After warming up ● Shift lever: N (A/T), Neutral (M/T) ● Air conditioner switch: OFF ● No-load	Idle
		2,000 rpm
		0%
		—

# DTC P0444, P0445 EVAP CANISTER PURGE VOLUME CONTROL SOLENOID VALVE

## On Board Diagnosis Logic

ABS000YQ

DTC No.	Trouble diagnosis name	DTC detecting condition	Possible cause
P0444 0444	EVAP canister purge volume control solenoid valve circuit open	An excessively low voltage signal is sent to ECM through the valve	<ul style="list-style-type: none"> <li>● Harness or connectors (The solenoid valve circuit is open or shorted.)</li> <li>● EVAP canister purge volume control solenoid valve</li> </ul>
P0445 0445	EVAP canister purge volume control solenoid valve circuit shorted	An excessively high voltage signal is sent to ECM through the valve	<ul style="list-style-type: none"> <li>● Harness or connectors (The solenoid valve circuit is shorted.)</li> <li>● EVAP canister purge volume control solenoid valve</li> </ul>

## DTC Confirmation Procedure

ABS000YR

### NOTE:

If "DTC Confirmation Procedure" has been previously conducted, always turn ignition switch "OFF" and wait at least 10 seconds before conducting the next test.

### TESTING CONDITION:

**Before performing the following procedure, confirm battery voltage is more than 11V at idle.**

### WITH CONSULT-II

1. Turn ignition switch "ON".
2. Select "DATA MONITOR" mode with CONSULT-II.
3. Start engine and let it idle for at least 13 seconds.
4. If 1st trip DTC is detected, go to [EC-342, "Diagnostic Procedure"](#)

DATA MONITOR	
MONITOR	NO DTC
ENG SPEED	XXX rpm

SEF058Y

### WITH GST

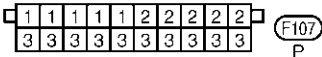
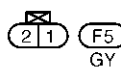
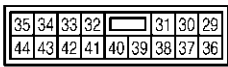
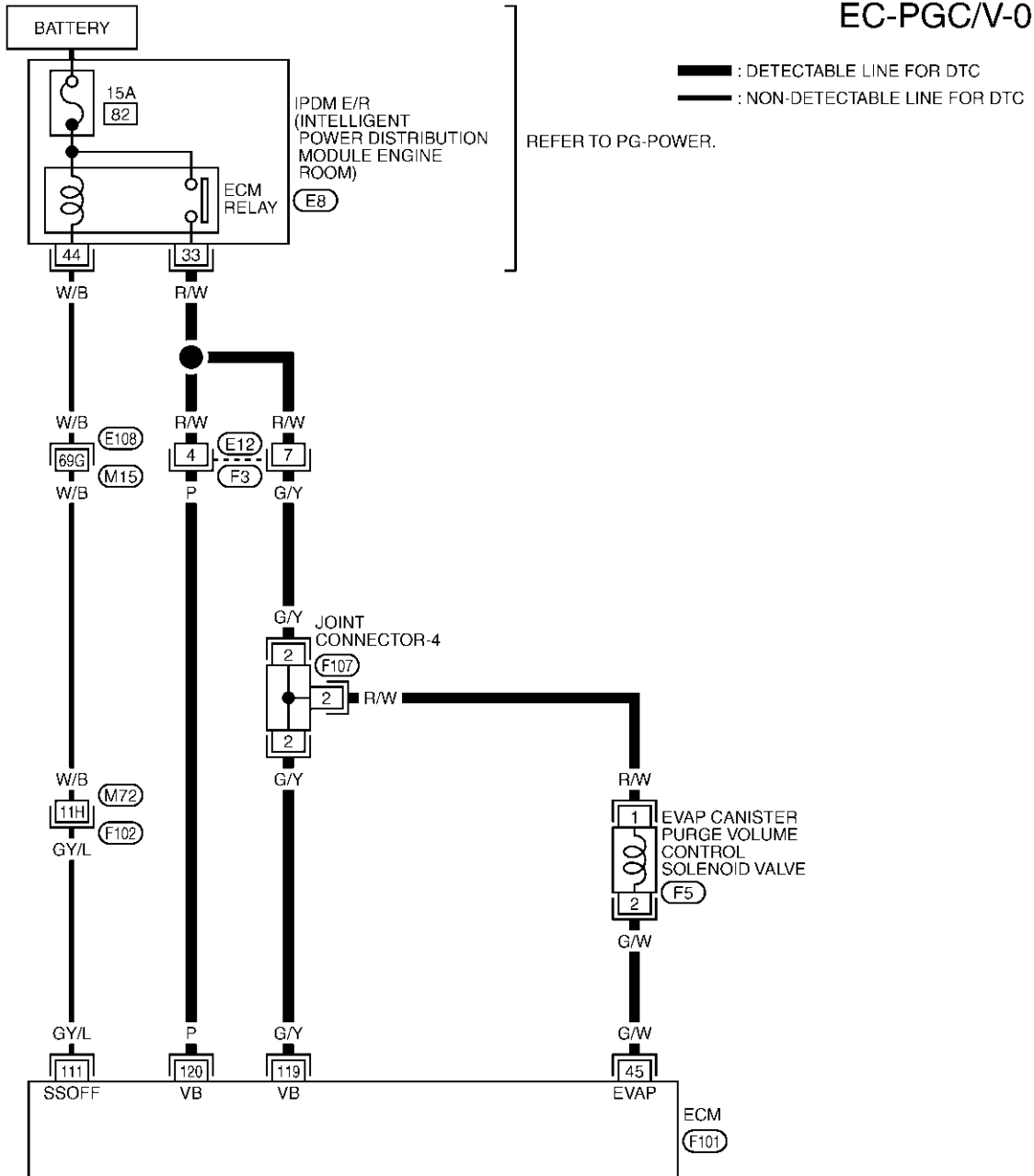
Follow the procedure "WITH CONSULT-II" above.

# DTC P0444, P0445 EVAP CANISTER PURGE VOLUME CONTROL SOLENOID VALVE

ABS000YS

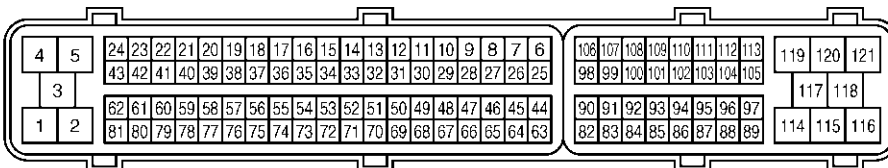
## Wiring Diagram

EC-PGC/V-01



REFER TO THE FOLLOWING.

(E108), (F102) -SUPER MULTIPLE JUNCTION (SMJ)



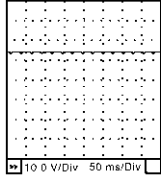

TBWT0220E

# DTC P0444, P0445 EVAP CANISTER PURGE VOLUME CONTROL SOLENOID VALVE

Specification data are reference values and are measured between each terminal and ground.

**CAUTION:**

**Do not use ECM ground terminals when measuring input/output voltage. Doing so may result in damage to the ECM's transistor. Use a ground other than ECM terminals, such as the ground.**

TER-MINAL NO.	WIRE COLOR	ITEM	CONDITION	DATA (DC Voltage)
45	G/W	EVAP canister purge volume control solenoid valve	<b>[Engine is running]</b> <ul style="list-style-type: none"> <li>● Idle speed</li> </ul>	BATTERY VOLTAGE (11 - 14V) <sup>★</sup> 
			<b>[Engine is running]</b> <ul style="list-style-type: none"> <li>● Engine speed is about 2,000 rpm (More than 100 seconds after starting engine).</li> </ul>	BATTERY VOLTAGE (11 - 14V) <sup>★</sup> 
111	GY/L	ECM relay (Self shut-off)	<b>[Engine is running]</b> <b>[Ignition switch "OFF"]</b> <ul style="list-style-type: none"> <li>● For a few seconds after turning ignition switch "OFF"</li> </ul>	0 - 1.5V
			<b>[Ignition switch "OFF"]</b> <ul style="list-style-type: none"> <li>● A few seconds passed after turning ignition switch "OFF"</li> </ul>	BATTERY VOLTAGE (11 - 14V)
119 120	G/Y P	Power supply for ECM	<b>[Ignition switch "ON"]</b>	BATTERY VOLTAGE (11 - 14V)

★: Average voltage for pulse signal (Actual pulse signal can be confirmed by oscilloscope.)

A  
EC  
C  
D  
E  
F  
G  
H  
I  
J  
K  
L  
M

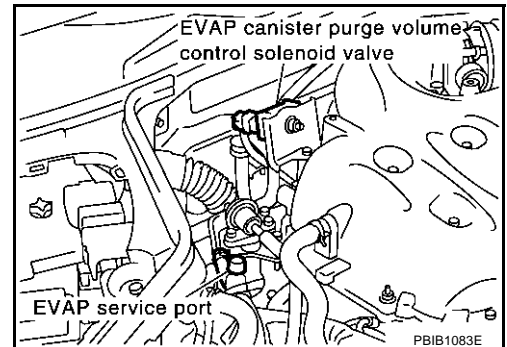
# DTC P0444, P0445 EVAP CANISTER PURGE VOLUME CONTROL SOLENOID VALVE

ABS000YT

## Diagnostic Procedure

### 1. CHECK EVAP CANISTER PURGE VOLUME CONTROL SOLENOID VALVE POWER SUPPLY CIRCUIT

1. Turn ignition switch "OFF".
2. Disconnect EVAP canister purge volume control solenoid valve harness connector.
3. Turn ignition switch "ON".

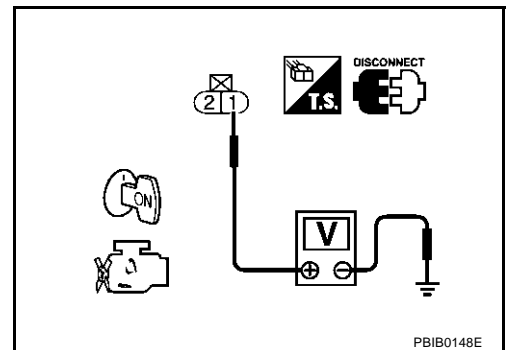


4. Check voltage between EVAP canister purge volume control solenoid valve terminal 1 and ground with CONSULT-II or tester.

**Voltage: Battery voltage**

OK or NG

- OK >> GO TO 3.
- NG >> GO TO 2.



### 2. DETECT MALFUNCTIONING PART

Check the following.

- Harness connectors E12, F3
- Joint connector-4
- IPDM E/R harness connector E8
- 15A fuse
- Harness for open or short between EVAP canister purge volume control solenoid valve and IPDM E/R
- Harness for open or short between EVAP canister purge volume control solenoid valve and ECM

>> Repair harness or connectors.

### 3. CHECK EVAP CANISTER PURGE VOLUME CONTROL SOLENOID VALVE OUTPUT SIGNAL CIRCUIT FOR OPEN AND SHORT

1. Turn ignition switch "OFF".
2. Disconnect ECM harness connector.
3. Check harness continuity between ECM terminal 45 and EVAP canister purge volume control solenoid valve terminal 2. Refer to Wiring Diagram.

**Continuity should exist.**

4. Also check harness for short to ground and short to power.

OK or NG

- OK (With CONSULT-II)>>GO TO 4.
- OK (Without CONSULT-II)>>GO TO 5.
- NG >> Repair open circuit or short to ground or short to power in harness or connectors.

# DTC P0444, P0445 EVAP CANISTER PURGE VOLUME CONTROL SOLENOID VALVE

## 4. CHECK EVAP CANISTER PURGE VOLUME CONTROL SOLENOID VALVE OPERATION

### With CONSULT-II

1. Reconnect all harness connectors disconnected.
2. Start engine.
3. Perform "PURG VOL CONT/V" in "ACTIVE TEST" mode with CONSULT-II. Check that engine speed varies according to the valve opening.

### OK or NG

- OK >> GO TO 6.  
 NG >> GO TO 5.

ACTIVE TEST	
PURG VOL CONT/V	0 %
MONITOR	
ENG SPEED	XXX rpm
HO2S1 MNTR (B1)	LEAN
HO2S1 MNTR (B2)	LEAN
A/F ALPHA-B1	XXX %
A/F ALPHA-B2	XXX %

PBIB0147E

## 5. CHECK EVAP CANISTER PURGE VOLUME CONTROL SOLENOID VALVE

Refer to [EC-343, "Component Inspection"](#) .

### OK or NG

- OK >> GO TO 6.  
 NG >> Replace EVAP canister purge volume control solenoid valve.

## 6. CHECK INTERMITTENT INCIDENT

Refer to [EC-137, "TROUBLE DIAGNOSIS FOR INTERMITTENT INCIDENT"](#) .

>> INSPECTION END

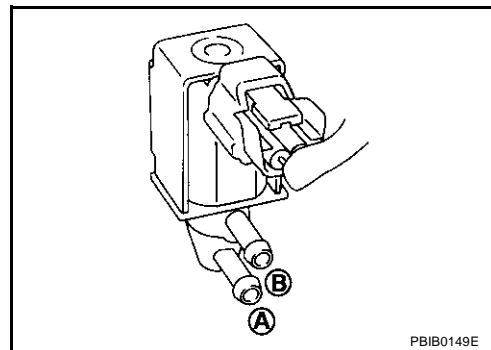
## Component Inspection EVAP CANISTER PURGE VOLUME CONTROL SOLENOID VALVE

ABS000YU

### With CONSULT-II

Check air passage continuity of EVAP canister purge volume control solenoid valve under the following conditions.

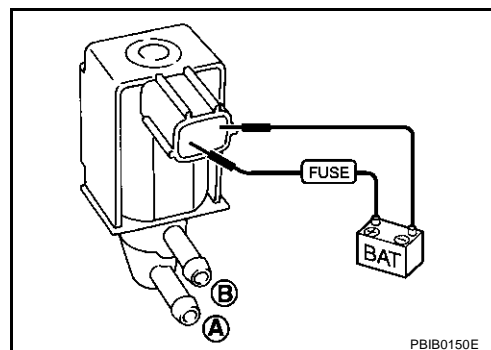
Condition (PURG VOL CONT/V value)	Air passage continuity between A and B
100.0%	Yes
0.0%	No



### Without CONSULT-II

Check air passage continuity of EVAP canister purge volume control solenoid valve under the following conditions.

Condition	Air passage continuity between A and B
12V direct current supply between terminals 1 and 2	Yes
No supply	No



# DTC P0444, P0445 EVAP CANISTER PURGE VOLUME CONTROL SOLENOID VALVE

---

## Removal and Installation

### EVAP CANISTER PURGE VOLUME CONTROL SOLENOID VALVE

ABS000YV

Refer to [EM-17, "INTAKE MANIFOLD COLLECTOR"](#) .



# DTC P0447 EVAP CANISTER VENT CONTROL VALVE

## DTC P0447 EVAP CANISTER VENT CONTROL VALVE

PFPP:14935

### Component Description

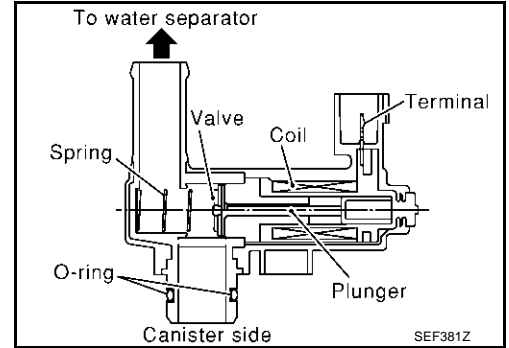
ABS000YW

The EVAP canister vent control valve is located on the EVAP canister and is used to seal the canister vent.

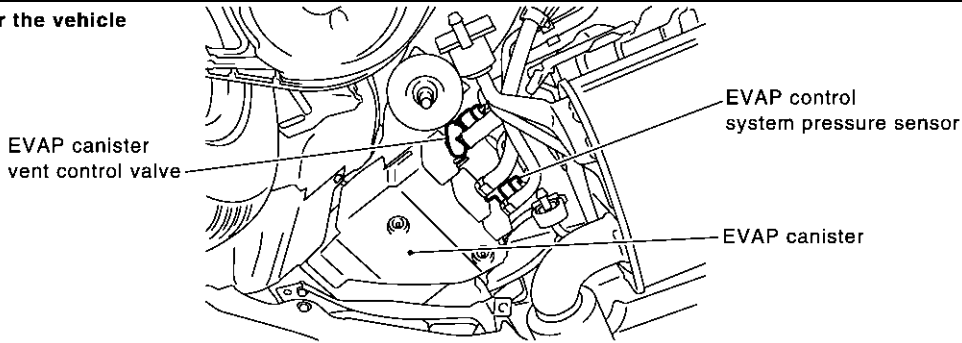
This solenoid valve responds to signals from the ECM. When the ECM sends an ON signal, the coil in the solenoid valve is energized. A plunger will then move to seal the canister vent. The ability to seal the vent is necessary for the on board diagnosis of other evaporative emission control system components.

This solenoid valve is used only for diagnosis, and usually remains opened.

When the vent is closed, under normal purge conditions, the evaporative emission control system is depressurized and allows "EVAP Control System" diagnosis.



View from under the vehicle



### CONSULT-II Reference Value in Data Monitor Mode

ABS000YX

Specification data are reference values.

MONITOR ITEM	CONDITION	SPECIFICATION
VENT CONT/V	● Ignition switch: ON	OFF

### On Board Diagnosis Logic

ABS000YY

DTC No.	Trouble diagnosis name	DTC detecting condition	Possible cause
P0447 0447	EVAP canister vent control valve circuit open	An improper voltage signal is sent to ECM through EVAP canister vent control valve.	<ul style="list-style-type: none"> <li>● Harness or connectors (The valve circuit is open or shorted.)</li> <li>● EVAP canister vent control valve</li> </ul>

# DTC P0447 EVAP CANISTER VENT CONTROL VALVE

ABS000YZ

## DTC Confirmation Procedure

### NOTE:

If "DTC Confirmation Procedure" has been previously conducted, always turn ignition switch "OFF" and wait at least 10 seconds before conducting the next test.

### TESTING CONDITION:

Before performing the following procedure, confirm battery voltage is more than 11V at idle.

### ④ WITH CONSULT-II

1. Turn ignition switch "ON".
2. Select "DATA MONITOR" mode with CONSULT-II.
3. Start engine and wait at least 8 seconds.
4. If 1st trip DTC is detected, go to [EC-348, "Diagnostic Procedure"](#).

DATA MONITOR	
MONITOR	NO DTC
ENG SPEED	XXX rpm

SEF058Y

### ④ WITH GST

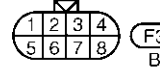
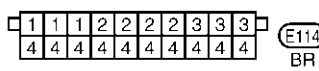
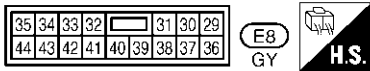
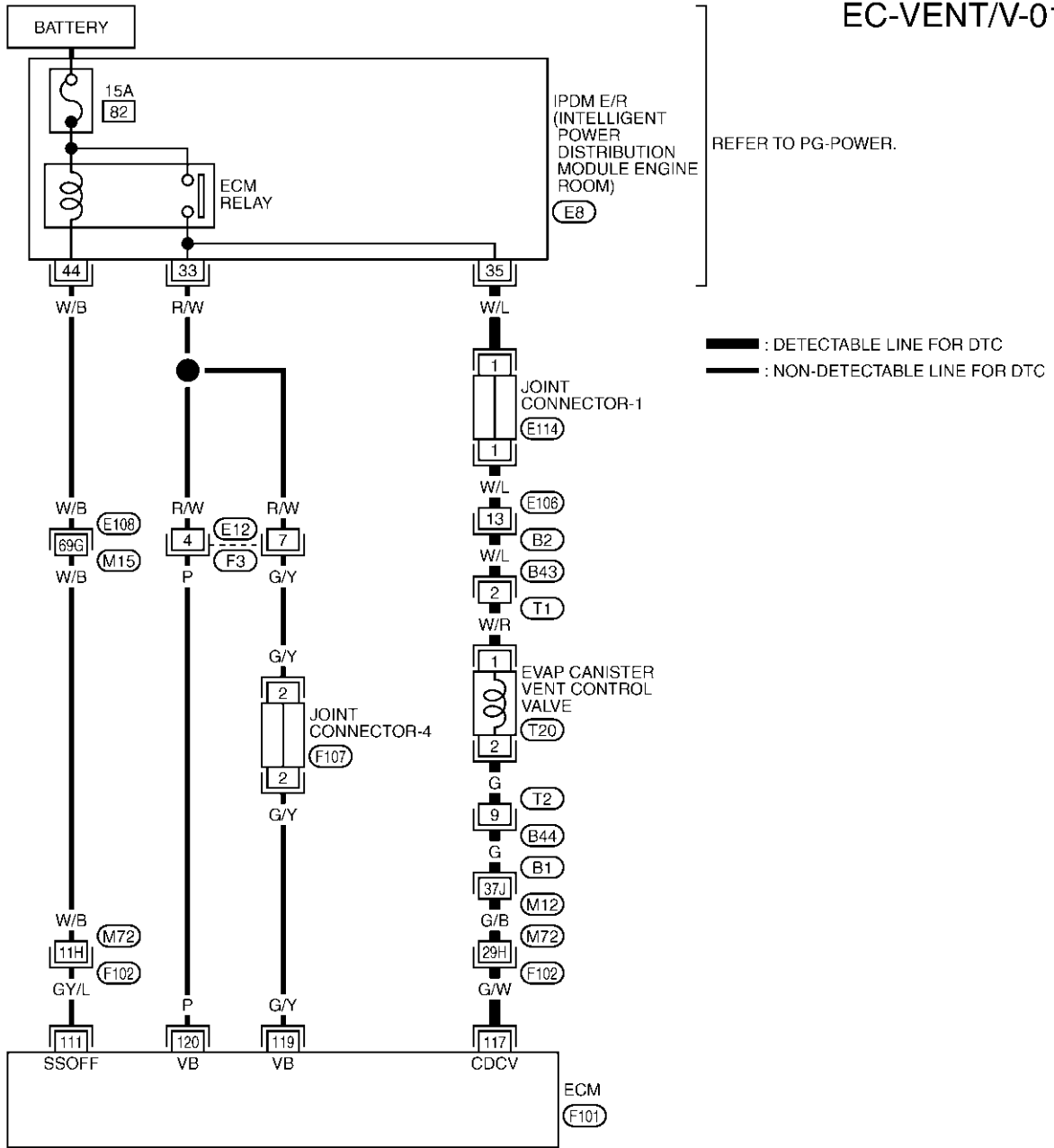
Follow the procedure "WITH CONSULT-II" above.

# DTC P0447 EVAP CANISTER VENT CONTROL VALVE

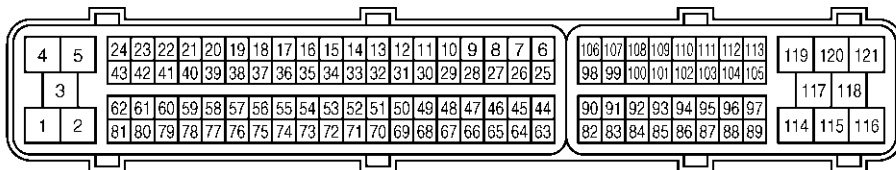
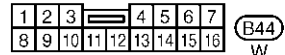
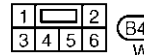
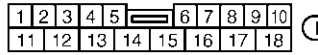
## Wiring Diagram

ABS000Z0

EC-VENT/V-01



REFER TO THE FOLLOWING.  
 E108, F102, B1 -SUPER  
 MULTIPLE JUNCTION (SMJ)



TBW0221E

# DTC P0447 EVAP CANISTER VENT CONTROL VALVE

Specification data are reference values and are measured between each terminal and ground.

**CAUTION:**

**Do not use ECM ground terminals when measuring input/output voltage. Doing so may result in damage to the ECM's transistor. Use a ground other than ECM terminals, such as the ground.**

TER-MINAL NO.	WIRE COLOR	ITEM	CONDITION	DATA (DC Voltage)
111	GY/L	ECM relay (Self shut-off)	[Engine is running] [Ignition switch "OFF"] ● For a few seconds after turning ignition switch "OFF"	0 - 1.5V
			[Ignition switch "OFF"] ● A few seconds passed after turning ignition switch "OFF"	BATTERY VOLTAGE (11 - 14V)
117	G/W	EVAP canister vent control valve	[Ignition switch "ON"]	BATTERY VOLTAGE (11 - 14V)
119 120	G/Y P	Power supply for ECM	[Ignition switch "ON"]	BATTERY VOLTAGE (11 - 14V)

## Diagnostic Procedure

ABS000Z1

### 1. INSPECTION START

Do you have CONSULT-II?

Yes or No

- Yes >> GO TO 2.
- No >> GO TO 3.

### 2. CHECK EVAP CANISTER VENT CONTROL VALVE CIRCUIT

**Ⓜ With CONSULT-II**

1. Turn ignition switch "OFF" and then turn "ON".
2. Select "VENT CONTROL/V" in "ACTIVE TEST" mode with CONSULT-II.
3. Touch "ON/OFF" on CONSULT-II screen.
4. Check for operating sound of the valve.  
**Clicking noise should be heard.**

OK or NG

- OK >> GO TO 7.
- NG >> GO TO 3.

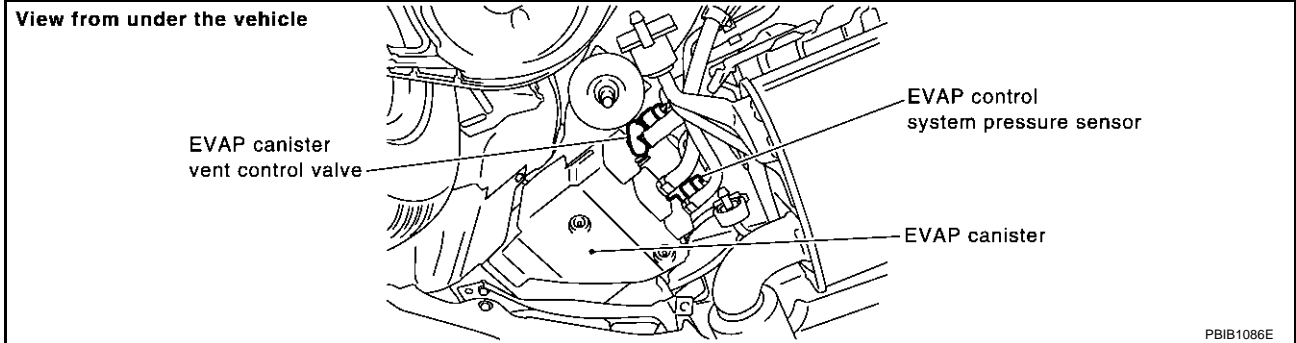
ACTIVE TEST	
VENT CONTROL/V	OFF
MONITOR	
ENG SPEED	XXX rpm
A/F ALPHA-B1	XXX %
A/F ALPHA-B2	XXX %
HO2S1 (B1)	XXX V
HO2S1 (B2)	XXX V

PBIB0151E

# DTC P0447 EVAP CANISTER VENT CONTROL VALVE

## 3. CHECK EVAP CANISTER VENT CONTROL VALVE POWER SUPPLY CIRCUIT

1. Turn ignition switch "OFF".
2. Disconnect EVAP canister vent control valve harness connector.

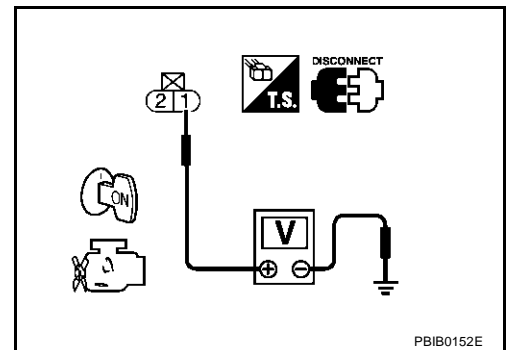


3. Turn ignition switch "ON".
4. Check voltage between EVAP canister vent control valve terminal 1 and ground with CONSULT-II or tester.

**Voltage: Battery voltage**

OK or NG

- OK >> GO TO 5.
- NG >> GO TO 4.



## 4. DETECT MALFUNCTIONING PART

Check the following.

- Harness connectors E106, B2
- Harness connectors B43, T1
- Joint connector-1
- IPDM E/R harness connector E8
- 15A fuse
- Harness for open or short between EVAP canister vent control valve and IPDM E/R

>> Repair harness or connectors.

## 5. CHECK EVAP CANISTER VENT CONTROL VALVE OUTPUT SIGNAL CIRCUIT FOR OPEN AND SHORT

1. Turn ignition switch "OFF".
2. Disconnect ECM harness connector.
3. Check harness continuity between ECM terminal 117 and EVAP canister vent control valve terminal 2. Refer to Wiring Diagram.

**Continuity should exist.**

4. Also check harness for short to ground and short to power.

OK or NG

- OK >> GO TO 7.
- NG >> GO TO 6.

# DTC P0447 EVAP CANISTER VENT CONTROL VALVE

## 6. DETECT MALFUNCTIONING PART

Check the following.

- Harness connectors T2, B44
- Harness connectors B1, M12
- Harness connectors M72, F102
- Harness for open or short between EVAP canister vent control valve and ECM

>> Repair open circuit or short to ground or short to power in harness or connectors.

## 7. CHECK RUBBER TUBE FOR CLOGGING

1. Disconnect rubber tube connected to EVAP canister vent control valve.
2. Check the rubber tube for clogging.

OK or NG

OK >> GO TO 8.

NG >> Clean the rubber tube using an air blower.

## 8. CHECK EVAP CANISTER VENT CONTROL VALVE

Refer to [EC-350, "Component Inspection"](#) .

OK or NG

OK >> GO TO 9.

NG >> Replace EVAP canister vent control valve.

## 9. CHECK INTERMITTENT INCIDENT

Refer to [EC-137, "TROUBLE DIAGNOSIS FOR INTERMITTENT INCIDENT"](#) .

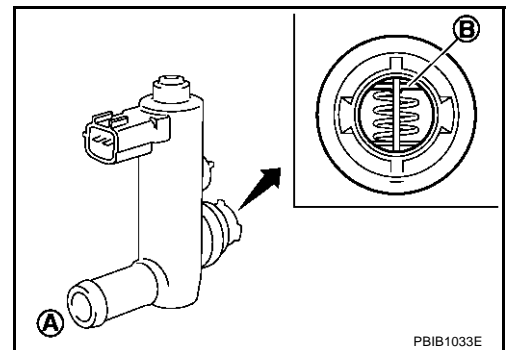
>> INSPECTION END

### Component Inspection EVAP CANISTER VENT CONTROL VALVE

ABS000Z2

 With CONSULT-II

1. Remove EVAP canister vent control valve from EVAP canister.
2. Check portion **B** of EVAP canister vent control valve for being rusted.  
If NG, replace EVAP canister vent control valve.  
If OK, go to next step.
3. Reconnect harness connectors disconnected.
4. Turn ignition switch "ON".



# DTC P0447 EVAP CANISTER VENT CONTROL VALVE

5. Perform "VENT CONTROL/V" in "ACTIVE TEST" mode.
6. Check air passage continuity and operation delay time.  
**Make sure new O-ring is installed properly.**

Condition VENT CONTROL/V	Air passage continuity between A and B
ON	No
OFF	Yes

**Operation takes less than 1 second.**

If NG, replace EVAP canister vent control valve.  
If OK, go to next step.

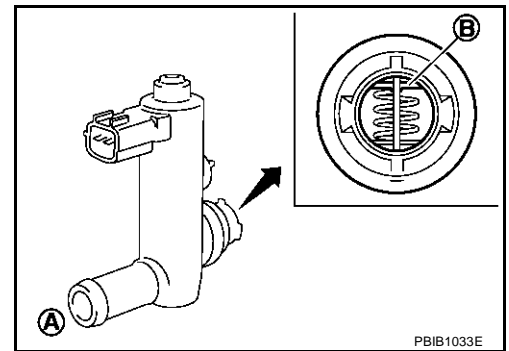
7. Clean the air passage (Portion **A** to **B**) of EVAP canister vent control valve using an air blower.
8. Perform step 6 again.

## ⊗ Without CONSULT-II

1. Remove EVAP canister vent control valve from EVAP canister.
2. Check portion **B** of EVAP canister vent control valve for being rusted.

ACTIVE TEST	
VENT CONTROL/V	OFF
MONITOR	
ENG SPEED	XXX rpm
A/F ALPHA-B1	XXX %
A/F ALPHA-B2	XXX %
HO2S1 (B1)	XXX V
HO2S1 (B2)	XXX V

PBIB0151E



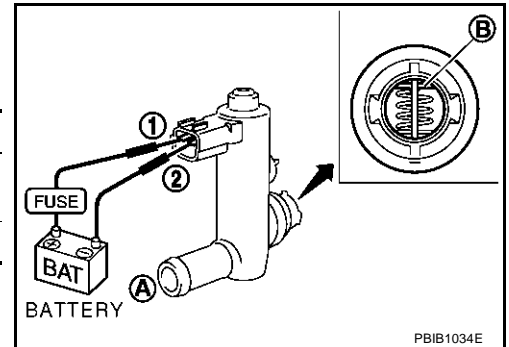
3. Check air passage continuity and operation delay time under the following conditions.  
**Make sure new O-ring is installed properly.**

Condition	Air passage continuity between A and B
12V direct current supply between terminals 1 and 2	No
OFF	Yes

**Operation takes less than 1 second.**

If NG, replace EVAP canister vent control valve.  
If OK, go to next step.

4. Clean the air passage (Portion **A** to **B**) of EVAP canister vent control valve using an air blower.
5. Perform step 3 again.



# DTC P0451 EVAP CONTROL SYSTEM PRESSURE SENSOR

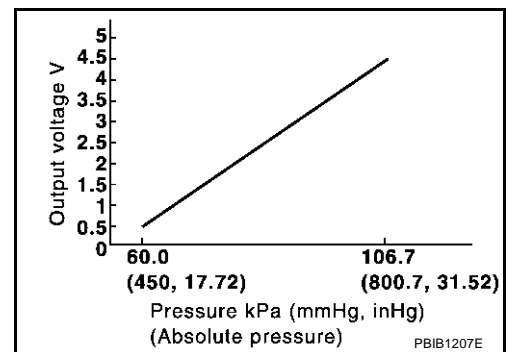
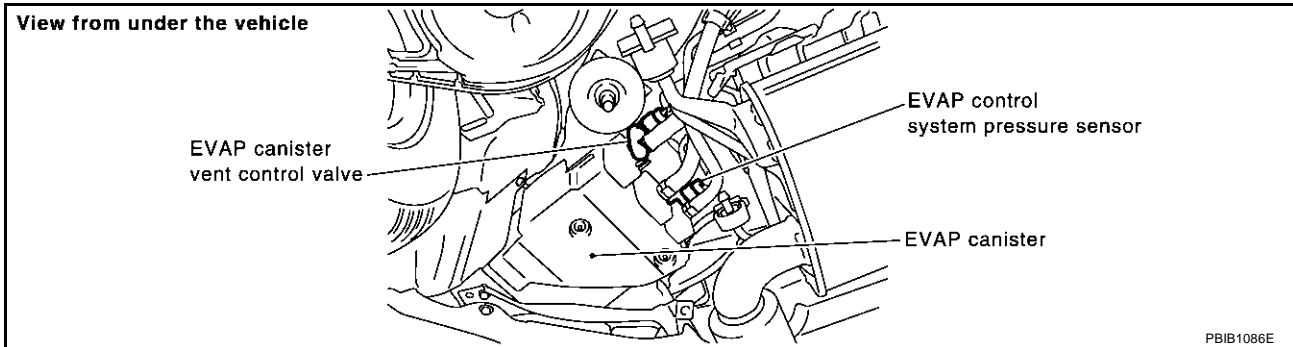
## DTC P0451 EVAP CONTROL SYSTEM PRESSURE SENSOR

PF22365

### Component Description

ABS008HY

The EVAP control system pressure sensor detects pressure in the purge line. The sensor output voltage to the ECM increases as pressure increases.



### CONSULT-II Reference Value in Data Monitor Mode

ABS008HZ

Specification data are reference values.

MONITOR ITEM	CONDITION	SPECIFICATION
EVAP SYS PRES	● Ignition switch: ON	Approx. 1.8 - 4.8V

### On Board Diagnosis Logic

ABS008J0

#### NOTE:

If DTC P0451 is displayed with DTC P1229, first perform the trouble diagnosis for DTC P1229.

Refer to [EC-492](#).

DTC No.	Trouble diagnosis name	DTC detecting condition	Possible cause
P0451 0451	EVAP control system pressure sensor performance	ECM detects a sloshing signal from the EVAP control system pressure sensor	<ul style="list-style-type: none"> <li>● Harness or connectors</li> <li>● EVAP control system pressure sensor</li> </ul>



# DTC P0451 EVAP CONTROL SYSTEM PRESSURE SENSOR

## DTC Confirmation Procedure

ABS00811

### NOTE:

If "DTC Confirmation Procedure" has been previously conducted, always turn ignition switch "OFF" and wait at least 10 seconds before conducting the next test.

### Ⓟ WITH CONSULT-II

1. Turn ignition switch "OFF" and wait at least 10 seconds.
2. Turn ignition switch "ON" and select "DATA MONITOR" mode with CONSULT-II.
3. Start engine and wait at least 40 seconds.

### NOTE:

**Do not depress accelerator pedal even slightly.**

If 1st trip DTC is detected, go to [EC-353, "Diagnostic Procedure"](#)

DATA MONITOR	
MONITOR	NO DTC
ENG SPEED	XXX rpm
COOLAN TEMP/S	XXX °C
FUEL T/TMP SE	XXX °C

SEF194Y

### Ⓟ WITH GST

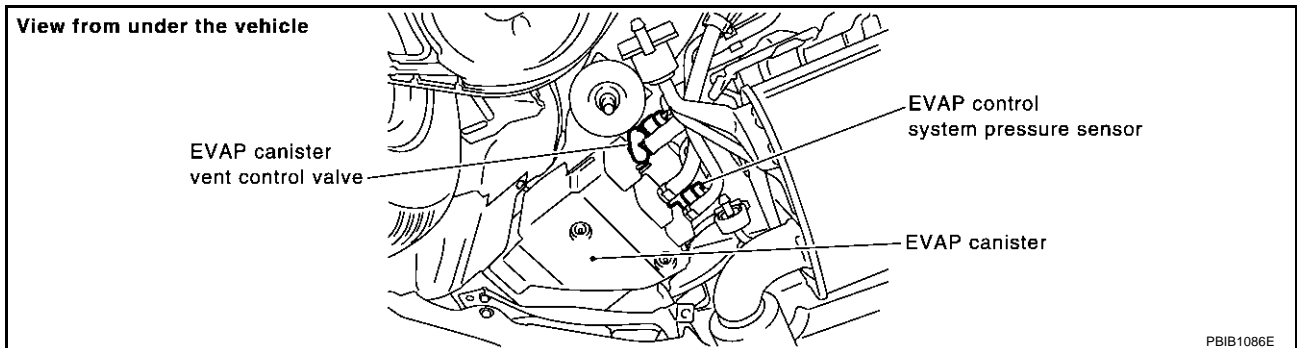
Follow the procedure "WITH CONSULT-II" above.

## Diagnostic Procedure

ABS00812

### 1. CHECK EVPA CONTROL SYSTEM PRESSURE SENSOR CONNECTOR FOR WATER

1. Disconnect EVAP control system pressure sensor harness connector.



2. Check sensor harness connector for water.

**Water should not exist.**

#### OK or NG

- OK >> GO TO 2.
- NG >> Repair or replace harness connector.

### 2. CHECK EVAP CONTROL SYSTEM PRESSURE SENSOR

Refer to [EC-354, "Component Inspection"](#) .

#### OK or NG

- OK >> GO TO 3.
- NG >> Replace EVAP control system pressure sensor.

### 3. CHECK INTERMITTENT INCIDENT

Refer to [EC-137, "TROUBLE DIAGNOSIS FOR INTERMITTENT INCIDENT"](#) .  
For wiring diagram, refer to [EC-357](#) .

>> INSPECTION END

# DTC P0451 EVAP CONTROL SYSTEM PRESSURE SENSOR

ABS00813

## Component Inspection

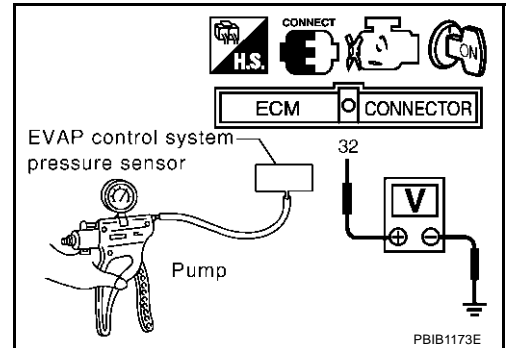
### EVAP CONTROL SYSTEM PRESSURE SENSOR

1. Remove EVAP control system pressure sensor with its harness connector connected.
2. Remove EVAP control system pressure sensor from EVAP canister.  
**Do not reuse the O-ring, replace it with a new one.**
3. Install a vacuum pump to EVAP control system pressure sensor.
4. Turn ignition switch "ON" and check output voltage between ECM terminal 32 and ground under the following conditions.

Applied vacuum kPa (mmHg, inHg)	Voltage V
Not applied	1.8 - 4.8
-26.7 (-200, -7.87)	2.1 to 2.5V lower than above value

#### CAUTION:

- Always calibrate the vacuum pump gauge when using it.
  - Do not apply below -93.3 kPa (-700 mmHg, -27.56 inHg) or pressure over 101.3 kPa (760 mmHg, 29.92 inHg).
5. If NG, replace EVAP control system pressure sensor.



# DTC P0452 EVAP CONTROL SYSTEM PRESSURE SENSOR

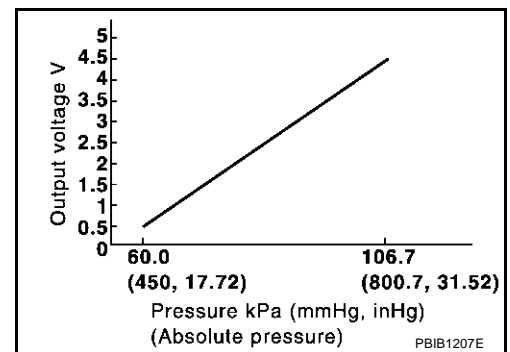
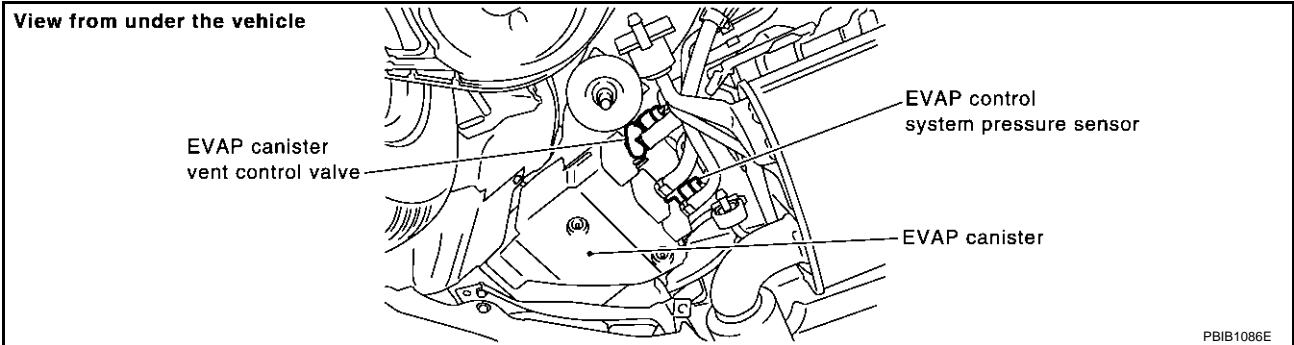
## DTC P0452 EVAP CONTROL SYSTEM PRESSURE SENSOR

PF25085

### Component Description

ABS00023

The EVAP control system pressure sensor detects pressure in the purge line. The sensor output voltage to the ECM increases as pressure increases.



### CONSULT-II Reference Value in Data Monitor Mode

ABS00024

Specification data are reference values.

MONITOR ITEM	CONDITION	SPECIFICATION
EVAP SYS PRES	● Ignition switch: ON	Approx. 1.8 - 4.8V

### On Board Diagnosis Logic

ABS00025

#### NOTE:

If DTC P0452 is displayed with DTC P1229, first perform the trouble diagnosis for DTC P1229.

Refer to [EC-492](#).

DTC No.	Trouble diagnosis name	DTC detecting condition	Possible cause
P0452 0452	EVAP control system pressure sensor low input	An excessively low voltage from the sensor is sent to ECM.	<ul style="list-style-type: none"> <li>● Harness or connectors (The sensor circuit is open or shorted.)</li> <li>● EVAP control system pressure sensor</li> </ul>

# DTC P0452 EVAP CONTROL SYSTEM PRESSURE SENSOR

ABS000Z6

## DTC Confirmation Procedure

### NOTE:

If "DTC Confirmation Procedure" has been previously conducted, always turn ignition switch "OFF" and wait at least 10 seconds before conducting the next test.

### TESTING CONDITION:

Always perform test at a temperature of 5°C (41°F) or more.

#### WITH CONSULT-II

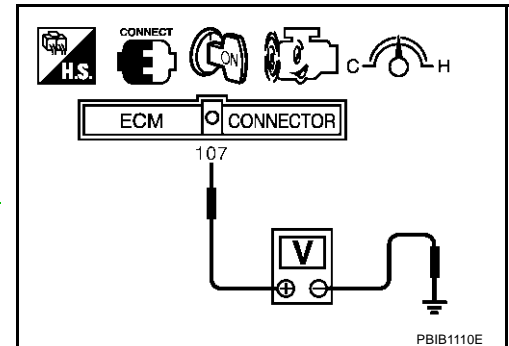
1. Start engine and warm it up to normal operating temperature.
2. Turn ignition switch "OFF" and wait at least 10 seconds.
3. Turn ignition switch "ON".
4. Select "DATA MONITOR" mode with CONSULT-II.
5. Make sure that "FUEL T/TEMP SE" is more than 0°C (32°F).
6. Start engine and wait at least 20 seconds.  
If 1st trip DTC is detected, go to [EC-358, "Diagnostic Procedure"](#)

DATA MONITOR	
MONITOR	NO DTC
ENG SPEED	XXX rpm
COOLAN TEMP/S	XXX °C
FUEL T/TMP SE	XXX °C

SEF194Y

#### WITH GST

1. Start engine and warm it up to normal operating temperature.
2. Check that voltage between ECM terminal 107 (Fuel tank temperature sensor signal) and ground is less than 4.2V.
3. Turn ignition switch "OFF" and wait at least 10 seconds.
4. Start engine and wait at least 20 seconds.
5. Select "MODE 7" with GST.  
If 1st trip DTC is detected, go to [EC-358, "Diagnostic Procedure"](#)



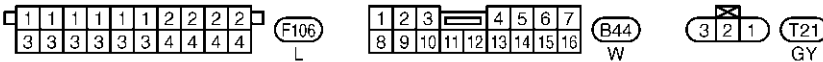
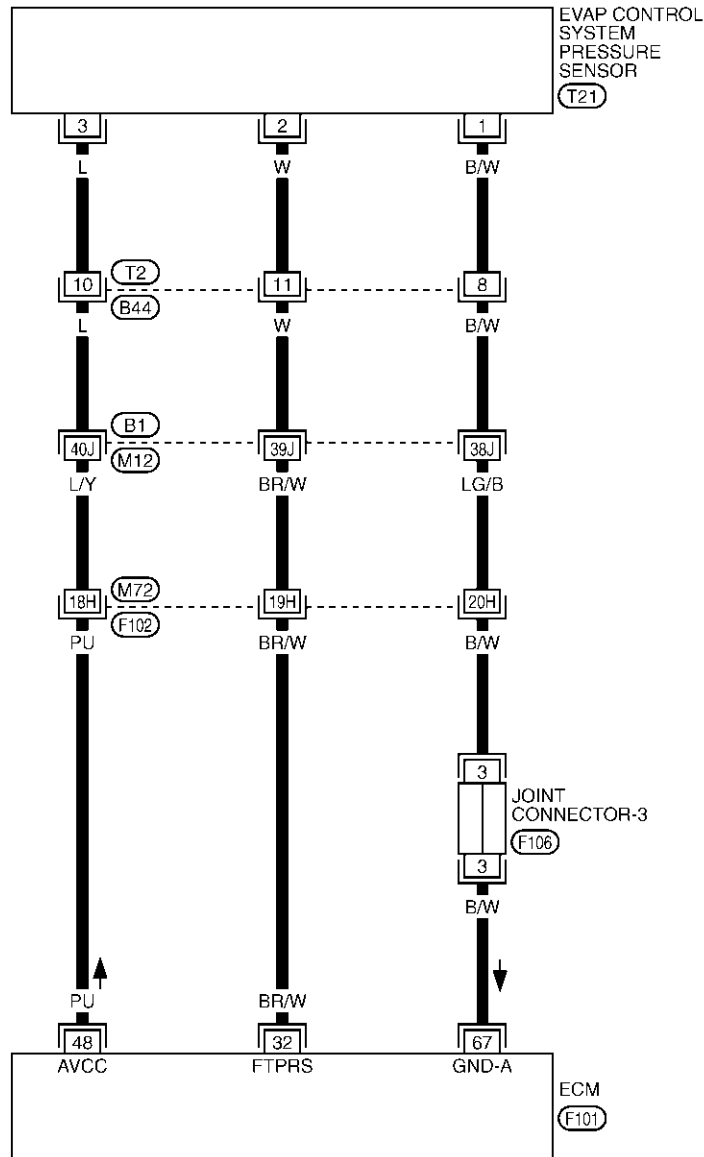
# DTC P0452 EVAP CONTROL SYSTEM PRESSURE SENSOR

## Wiring Diagram

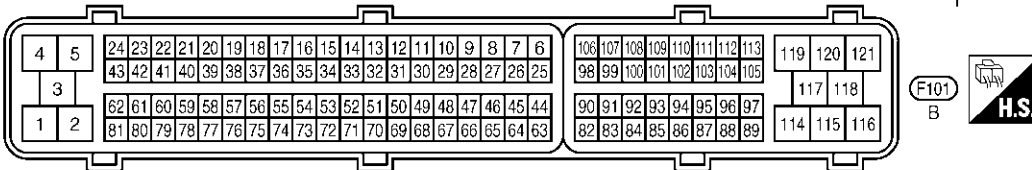
ABS000Z7

EC-PRE/SE-01

: DETECTABLE LINE FOR DTC  
 : NON-DETECTABLE LINE FOR DTC



REFER TO THE FOLLOWING.  
 (F102), (B1) -SUPER MULTIPLE JUNCTION (SMJ)



TBWT0222E

# DTC P0452 EVAP CONTROL SYSTEM PRESSURE SENSOR

Specification data are reference values and are measured between each terminal and ground.

**CAUTION:**

Do not use ECM ground terminals when measuring input/output voltage. Doing so may result in damage to the ECM's transistor. Use a ground other than ECM terminals, such as the ground.

TER-MINAL NO.	WIRE COLOR	ITEM	CONDITION	DATA (DC Voltage)
32	BR/W	EVAP control system pressure sensor	[Ignition switch "ON"]	Approximately 1.8 - 4.8V
48	PU	Sensors' power supply (EVAP control system pressure sensor)	[Ignition switch "ON"]	Approximately 5V
67	B/W	Sensors' ground (Mass air flow sensor / IAT sensor / Power steering pressure sensor / EVAP control system pressure sensor)	[Engine is running] ● Warm-up condition ● Idle speed	Approximately 0V

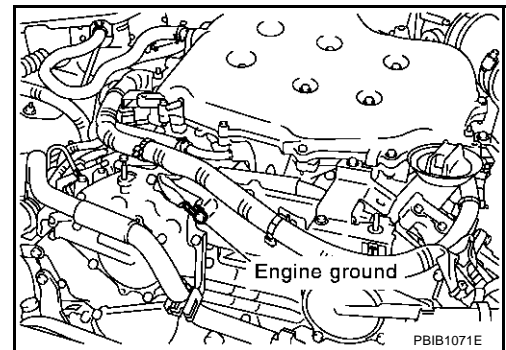
## Diagnostic Procedure

ABS000Z8

### 1. RETIGHTEN GROUND SCREWS

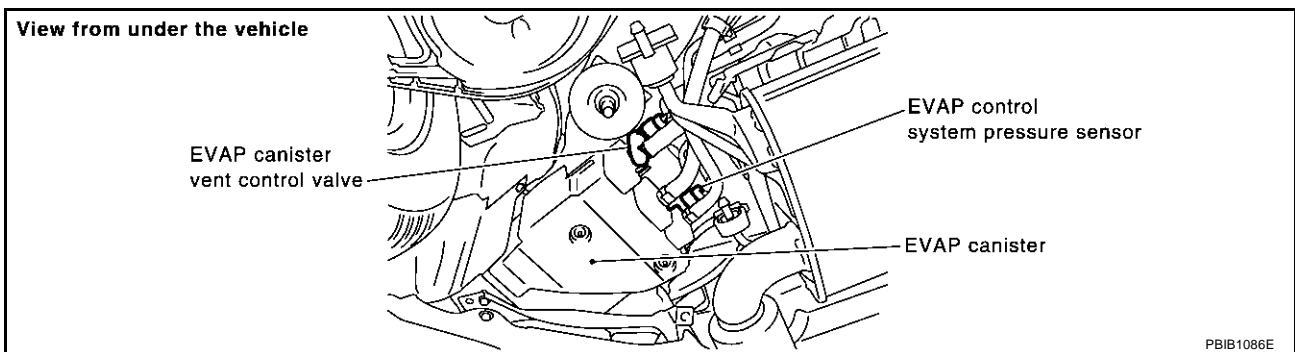
Loosen and retighten engine ground screws.

>> GO TO 2.



### 2. CHECK CONNECTOR

1. Disconnect EVAP control system pressure sensor harness connector.



2. Check sensor harness connector for water.

**Water should not exist.**

OK or NG

- OK >> GO TO 3.
- NG >> Repair or replace harness connector.

# DTC P0452 EVAP CONTROL SYSTEM PRESSURE SENSOR

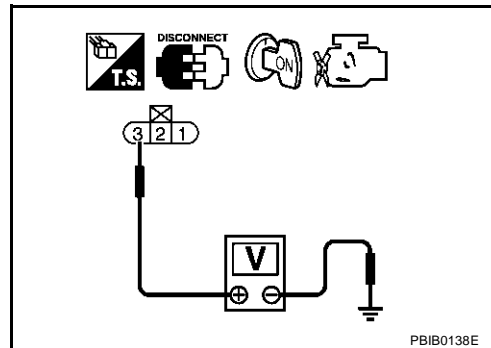
## 3. CHECK EVAP CONTROL SYSTEM PRESSURE SENSOR POWER SUPPLY CIRCUIT

1. Turn ignition switch "ON".
2. Check voltage between EVAP control system pressure sensor terminal 3 and ground with CONSULT-II or tester.

**Voltage: Approximately 5V**

OK or NG

- OK >> GO TO 5.  
NG >> GO TO 4.



## 4. DETECT MALFUNCTIONING PART

Check the following.

- Harness connectors T2, B44
- Harness connectors B1, M12
- Harness connectors M72, F102
- Harness for open or short between EVAP control system pressure sensor and ECM

>> Repair open circuit or short to ground or short to power in harness or connectors.

## 5. CHECK EVAP CONTROL SYSTEM PRESSURE SENSOR GROUND CIRCUIT FOR OPEN AND SHORT

1. Turn ignition switch "OFF".
2. Check harness continuity between EVAP control system pressure sensor terminal 1 and engine ground. Refer to Wiring Diagram.

**Continuity should exist.**

3. Also check harness for short to ground and short to power.

OK or NG

- OK >> GO TO 7.  
NG >> GO TO 6.

## 6. DETECT MALFUNCTIONING PART

Check the following.

- Harness connectors T2, B44
- Harness connectors B1, M12
- Harness connectors M72, F102
- Joint connector-3
- Harness for open or short between EVAP control system pressure sensor and ECM

>> Repair open circuit or short to ground or short to power in harness or connectors.

# DTC P0452 EVAP CONTROL SYSTEM PRESSURE SENSOR

## 7. CHECK EVAP CONTROL SYSTEM PRESSURE SENSOR INPUT SIGNAL CIRCUIT FOR OPEN AND SHORT

1. Disconnect ECM harness connector.
2. Check harness continuity between ECM terminal 32 and EVAP control system pressure sensor terminal 2.  
Refer to Wiring Diagram.

**Continuity should exist.**

3. Also check harness for short to ground and short to power.

OK or NG

- OK >> GO TO 9.
- NG >> GO TO 8.

## 8. DETECT MALFUNCTIONING PART

Check the following.

- Harness connectors T2, B44
- Harness connectors B1, M12
- Harness connectors M72, F102
- Harness for open or short between EVAP control system pressure sensor and ECM

>> Repair open circuit or short to ground or short to power in harness or connectors.

## 9. CHECK EVAP CONTROL SYSTEM PRESSURE SENSOR

Refer to [EC-360, "Component Inspection"](#) .

OK or NG

- OK >> GO TO 10.
- NG >> Replace EVAP control system pressure sensor.

## 10. CHECK INTERMITTENT INCIDENT

Refer to [EC-137, "TROUBLE DIAGNOSIS FOR INTERMITTENT INCIDENT"](#) .

>> **INSPECTION END**

### Component Inspection EVAP CONTROL SYSTEM PRESSURE SENSOR

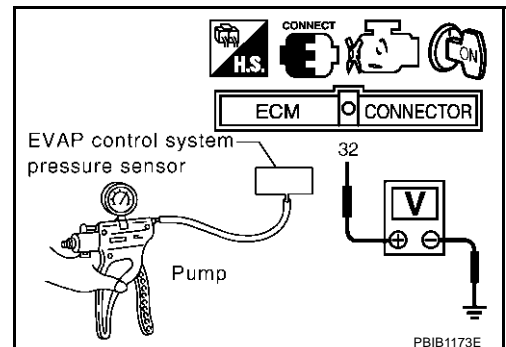
ABS00029

1. Remove EVAP control system pressure sensor with its harness connector connected.
2. Remove EVAP control system pressure sensor from EVAP canister.  
**Do not reuse the O-ring, replace it with a new one.**
3. Install a vacuum pump to EVAP control system pressure sensor.
4. Turn ignition switch "ON" and check output voltage between ECM terminal 32 and ground under the following conditions.

Applied vacuum kPa (mmHg, inHg)	Voltage V
Not applied	1.8 - 4.8
-26.7 (-200, -7.87)	2.1 to 2.5V lower than above value

#### CAUTION:

- Always calibrate the vacuum pump gauge when using it.
  - Do not apply below -93.3 kPa (-700 mmHg, -27.56 inHg) or pressure over 101.3 kPa (760 mmHg, 29.92 inHg).
5. If NG, replace EVAP control system pressure sensor.





# DTC P0453 EVAP CONTROL SYSTEM PRESSURE SENSOR

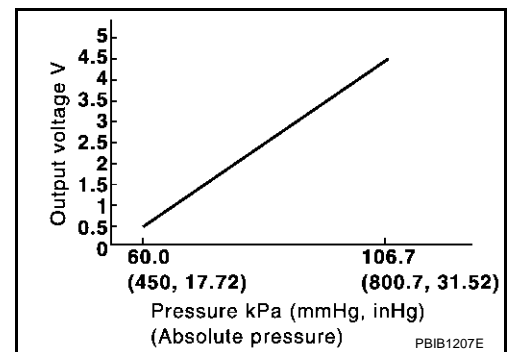
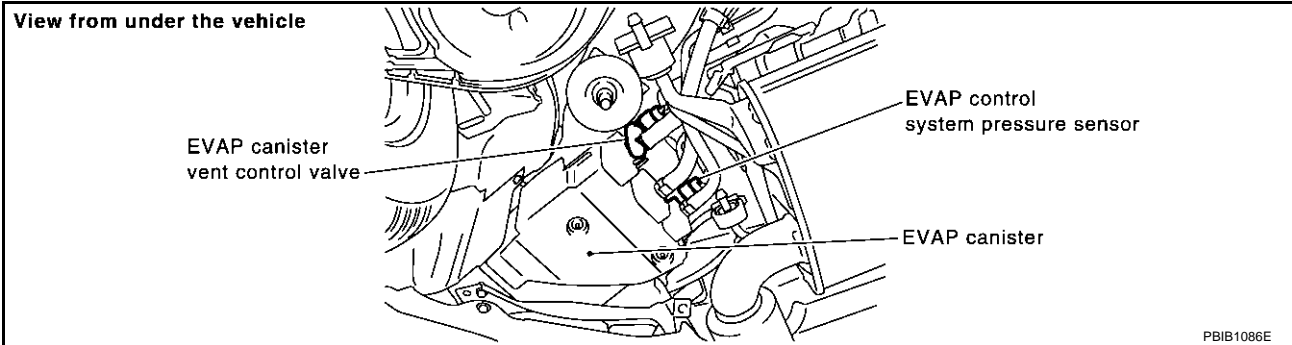
## DTC P0453 EVAP CONTROL SYSTEM PRESSURE SENSOR

PFIP:25085

### Component Description

ABS000ZA

The EVAP control system pressure sensor detects pressure in the purge line. The sensor output voltage to the ECM increases as pressure increases.



### CONSULT-II Reference Value in Data Monitor Mode

ABS000ZB

Specification data are reference values.

MONITOR ITEM	CONDITION	SPECIFICATION
EVAP SYS PRES	● Ignition switch: ON	Approx. 1.8 - 4.8V

### On Board Diagnosis Logic

ABS000ZC

#### NOTE:

If DTC P0453 is displayed with DTC P1229, first perform the trouble diagnosis for DTC P1229.

Refer to [EC-492](#).

DTC No.	Trouble diagnosis name	DTC detecting condition	Possible cause
P0453 0453	EVAP control system pressure sensor high input	An excessively high voltage from the sensor is sent to ECM.	<ul style="list-style-type: none"> <li>● Harness or connectors (The sensor circuit is open or shorted.)</li> <li>● EVAP control system pressure sensor</li> <li>● EVAP canister vent control valve</li> <li>● EVAP canister</li> <li>● Rubber hose from EVAP canister vent control valve to vehicle frame</li> </ul>

# DTC P0453 EVAP CONTROL SYSTEM PRESSURE SENSOR

ABS000ZD

## DTC Confirmation Procedure

### NOTE:

If "DTC Confirmation Procedure" has been previously conducted, always turn ignition switch "OFF" and wait at least 10 seconds before conducting the next test.

### TESTING CONDITION:

Always perform test at a temperature of 5°C (41°F) or more.

### WITH CONSULT-II

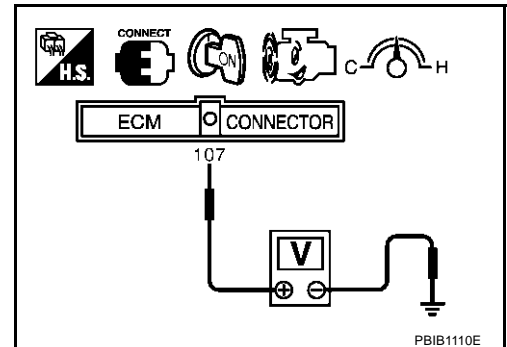
1. Start engine and warm it up to normal operating temperature.
2. Turn ignition switch "OFF" and wait at least 10 seconds.
3. Turn ignition switch "ON".
4. Select "DATA MONITOR" mode with CONSULT-II.
5. Make sure that "FUEL T/TEMP SE" is more than 0°C (32°F).
6. Start engine and wait at least 20 seconds.
7. If 1st trip DTC is detected, go to [EC-364, "Diagnostic Procedure"](#)

DATA MONITOR	
MONITOR	NO DTC
ENG SPEED	XXX rpm
COOLAN TEMP/S	XXX °C
FUEL T/TMP SE	XXX °C

SEF194Y

### WITH GST

1. Start engine and warm it up to normal operating temperature.
2. Check that voltage between ECM terminal 107 (Fuel tank temperature sensor signal) and ground is less than 4.2V.
3. Turn ignition switch "OFF" and wait at least 10 seconds.
4. Start engine and wait at least 20 seconds.
5. Select "MODE 7" with GST.  
If 1st trip DTC is detected, go to [EC-364, "Diagnostic Procedure"](#)



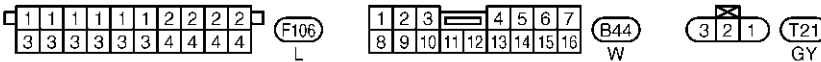
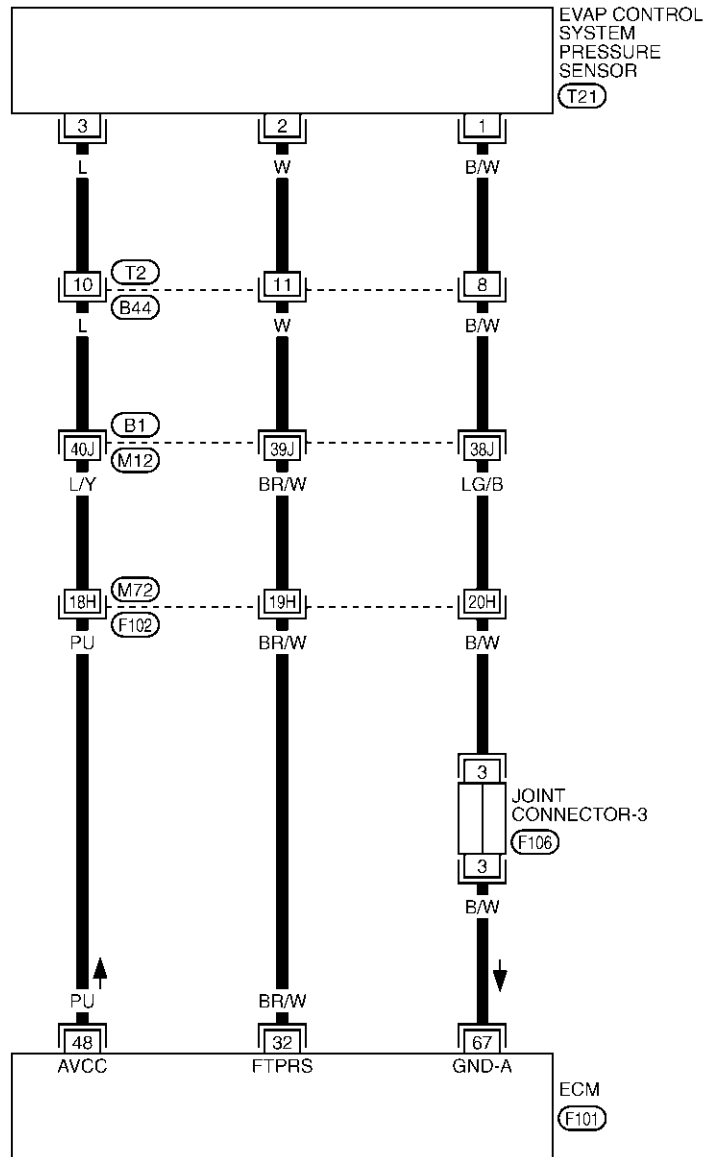
# DTC P0453 EVAP CONTROL SYSTEM PRESSURE SENSOR

## Wiring Diagram

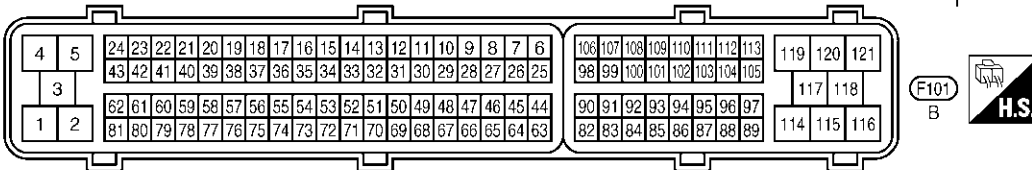
ABS000ZE

EC-PRE/SE-01

: DETECTABLE LINE FOR DTC  
 : NON-DETECTABLE LINE FOR DTC



REFER TO THE FOLLOWING.  
 (F102), (B1) -SUPER MULTIPLE JUNCTION (SMJ)



TBWT0222E

# DTC P0453 EVAP CONTROL SYSTEM PRESSURE SENSOR

Specification data are reference values and are measured between each terminal and ground.

## CAUTION:

Do not use ECM ground terminals when measuring input/output voltage. Doing so may result in damage to the ECM's transistor. Use a ground other than ECM terminals, such as the ground.

TER-MINAL NO.	WIRE COLOR	ITEM	CONDITION	DATA (DC Voltage)
32	BR/W	EVAP control system pressure sensor	[Ignition switch "ON"]	Approximately 1.8 - 4.8V
48	PU	Sensors' power supply (EVAP control system pressure sensor)	[Ignition switch "ON"]	Approximately 5V
67	B/W	Sensors' ground (Mass air flow sensor / IAT sensor / Power steering pressure sensor / EVAP control system pressure sensor)	[Engine is running] ● Warm-up condition ● Idle speed	Approximately 0V

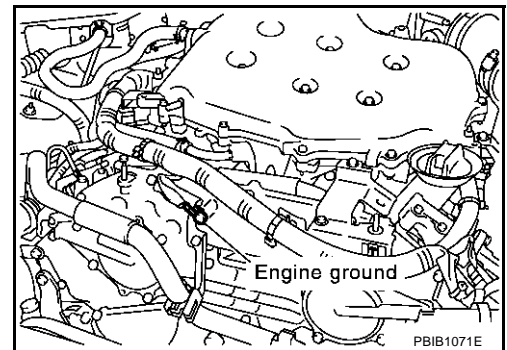
## Diagnostic Procedure

ABS000ZF

### 1. RETIGHTEN GROUND SCREWS

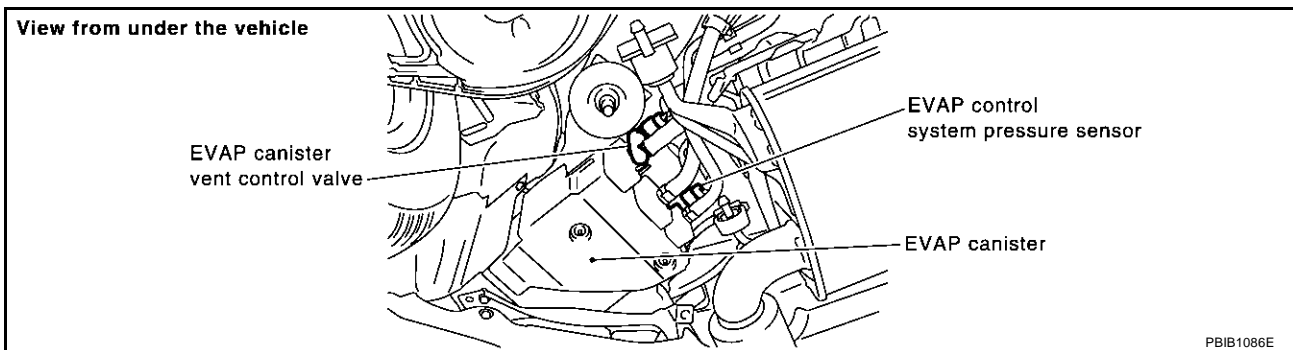
Loosen and retighten engine ground screws.

>> GO TO 2.



### 2. CHECK CONNECTOR

1. Disconnect EVAP control system pressure sensor harness connector.



2. Check sensor harness connector for water.

**Water should not exist.**

OK or NG

OK >> GO TO 3.

NG >> Repair or replace harness connector.

# DTC P0453 EVAP CONTROL SYSTEM PRESSURE SENSOR

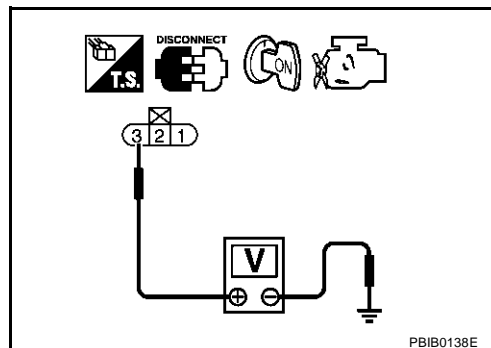
## 3. CHECK EVAP CONTROL SYSTEM PRESSURE SENSOR POWER SUPPLY CIRCUIT

1. Turn ignition switch "ON".
2. Check voltage between EVAP control system pressure sensor terminal 3 and ground with CONSULT-II or tester.

**Voltage: Approximately 5V**

OK or NG

- OK >> GO TO 5.  
NG >> GO TO 4.



## 4. DETECT MALFUNCTIONING PART

Check the following.

- Harness connectors T2, B44
- Harness connectors B1, M12
- Harness connectors M72, F102
- Harness for open or short between EVAP control system pressure sensor and ECM

>> Repair open circuit or short to ground or short to power in harness or connectors.

## 5. CHECK EVAP CONTROL SYSTEM PRESSURE SENSOR GROUND CIRCUIT FOR OPEN AND SHORT

1. Turn ignition switch "OFF".
2. Check harness continuity between EVAP control system pressure sensor terminal 1 and engine ground. Refer to Wiring Diagram.

**Continuity should exist.**

3. Also check harness for short to ground and short to power.

OK or NG

- OK >> GO TO 7.  
NG >> GO TO 6.

## 6. DETECT MALFUNCTIONING PART

Check the following.

- Harness connectors T2, B44
- Harness connectors B1, M12
- Harness connectors M72, F102
- Joint connector-3
- Harness for open or short between EVAP control system pressure sensor and ECM

>> Repair open circuit or short to ground or short to power in harness or connectors.

# DTC P0453 EVAP CONTROL SYSTEM PRESSURE SENSOR

---

## 7. CHECK EVAP CONTROL SYSTEM PRESSURE SENSOR INPUT SIGNAL CIRCUIT FOR OPEN AND SHORT

---

1. Disconnect ECM harness connector.
2. Check harness continuity between ECM terminal 32 and EVAP control system pressure sensor terminal 2.  
Refer to Wiring Diagram.

**Continuity should exist.**

3. Also check harness for short to ground and short to power.

OK or NG

- OK >> GO TO 9.  
NG >> GO TO 8.

---

## 8. DETECT MALFUNCTIONING PART

---

Check the following.

- Harness connectors T2, B44
- Harness connectors B1, M12
- Harness connectors M72, F102
- Harness for open or short between EVAP control system pressure sensor and ECM

>> Repair open circuit or short to ground or short to power in harness or connectors.

---

## 9. CHECK RUBBER TUBE FOR CLOGGING

---

1. Disconnect rubber tube connected to EVAP canister vent control valve.
2. Check the rubber tube for clogging.

OK or NG

- OK >> GO TO 10.  
NG >> Clean the rubber tube using an air blower.

---

## 10. CHECK EVAP CANISTER VENT CONTROL VALVE

---

Refer to [EC-350, "Component Inspection"](#) .

OK or NG

- OK >> GO TO 11.  
NG >> Replace EVAP canister vent control valve.

---

## 11. CHECK EVAP CONTROL SYSTEM PRESSURE SENSOR

---

Refer to [EC-368, "Component Inspection"](#) .

OK or NG

- OK >> GO TO 12.  
NG >> Replace EVAP control system pressure sensor.

---

## 12. CHECK RUBBER TUBE

---

Check obstructed rubber tube connected to EVAP canister vent control valve.

OK or NG

- OK >> GO TO 13.  
NG >> Clean rubber tube using an air blower, repair or replace rubber tube.

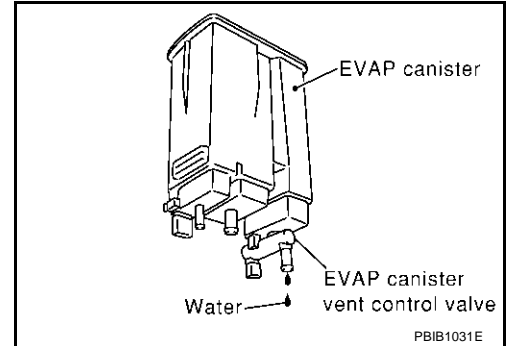
# DTC P0453 EVAP CONTROL SYSTEM PRESSURE SENSOR

## 13. CHECK IF EVAP CANISTER SATURATED WITH WATER

1. Remove EVAP canister with EVAP canister vent control valve and EVAP control system pressure sensor attached.
2. Check if water will drain from the EVAP canister.

Yes or No

- Yes >> GO TO 14.  
No >> GO TO 16.



## 14. CHECK EVAP CANISTER

Weigh the EVAP canister with the EVAP canister vent control valve and EVAP control system pressure sensor attached.

**The weight should be less than 2.2 kg (4.9 lb).**

OK or NG

- OK >> GO TO 16.  
NG >> GO TO 15.

## 15. DETECT MALFUNCTIONING PART

Check the following.

- EVAP canister for damage
- EVAP hose between EVAP canister and vehicle frame for clogging or poor connection

>> Repair hose or replace EVAP canister.

## 16. CHECK INTERMITTENT INCIDENT

Refer to [EC-137, "TROUBLE DIAGNOSIS FOR INTERMITTENT INCIDENT"](#) .

>> INSPECTION END

# DTC P0453 EVAP CONTROL SYSTEM PRESSURE SENSOR

ABS000ZG

## Component Inspection

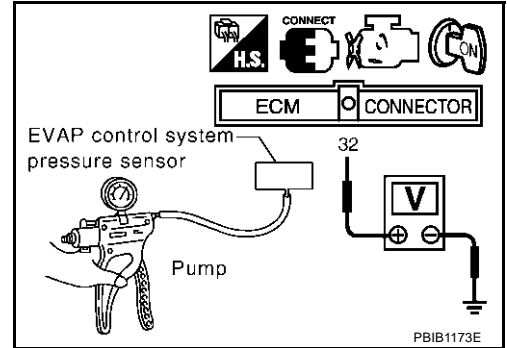
### EVAP CONTROL SYSTEM PRESSURE SENSOR

1. Remove EVAP control system pressure sensor with its harness connector connected.
2. Remove EVAP control system pressure sensor from EVAP canister.  
**Do not reuse the O-ring, replace it with a new one.**
3. Install a vacuum pump to EVAP control system pressure sensor.
4. Turn ignition switch "ON" and check output voltage between ECM terminal 32 and ground under the following conditions.

Applied vacuum kPa (mmHg, inHg)	Voltage V
Not applied	1.8 - 4.8
-26.7 (-200, -7.87)	2.1 to 2.5V lower than above value

#### CAUTION:

- Always calibrate the vacuum pump gauge when using it.
  - Do not apply below -93.3 kPa (-700 mmHg, -27.56 inHg) or pressure over 101.3 kPa (760 mmHg, 29.92 inHg).
5. If NG, replace EVAP control system pressure sensor.





# DTC P0455 EVAP CONTROL SYSTEM

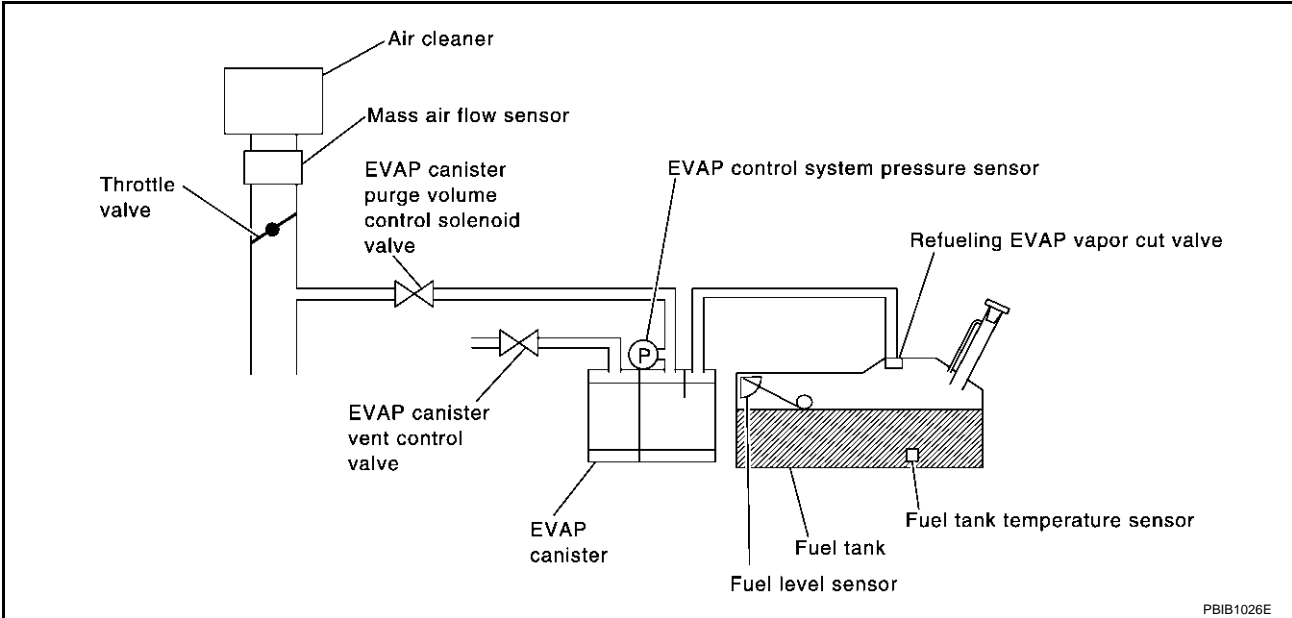
## DTC P0455 EVAP CONTROL SYSTEM

PF14950

### On Board Diagnosis Logic

ABS000Z/W

This diagnosis detects a very large leak (fuel filler cap fell off etc.) in EVAP system between the fuel tank and EVAP canister purge volume control solenoid valve.



PBIB1026E

DTC No.	Trouble diagnosis name	DTC detecting condition	Possible cause
P0455 0455	EVAP control system gross leak detected	EVAP control system has a very large leak such as fuel filler cap fell off, EVAP control system does not operate properly.	<ul style="list-style-type: none"> <li>● Fuel filler cap remains open or fails to close.</li> <li>● Incorrect fuel tank vacuum relief valve</li> <li>● Incorrect fuel filler cap used</li> <li>● Foreign matter caught in fuel filler cap.</li> <li>● Leak is in line between intake manifold and EVAP canister purge volume control solenoid valve.</li> <li>● Foreign matter caught in EVAP canister vent control valve.</li> <li>● EVAP canister or fuel tank leaks</li> <li>● EVAP purge line (pipe and rubber tube) leaks</li> <li>● EVAP purge line rubber tube bent.</li> <li>● Blocked or bent rubber tube to EVAP control system pressure sensor</li> <li>● Loose or disconnected rubber tube</li> <li>● EVAP canister vent control valve and the circuit</li> <li>● EVAP canister purge volume control solenoid valve and the circuit</li> <li>● Fuel tank temperature sensor</li> <li>● O-ring of EVAP canister vent control valve is missing or damaged.</li> <li>● EVAP control system pressure sensor</li> <li>● Refueling EVAP vapor cut valve</li> <li>● ORVR system leaks</li> </ul>

# DTC P0455 EVAP CONTROL SYSTEM

## CAUTION:

- Use only a genuine NISSAN fuel filler cap as a replacement. If an incorrect fuel filler cap is used, the MIL may come on.
- If the fuel filler cap is not tightened properly, the MIL may come on.
- Use only a genuine NISSAN rubber tube as a replacement.

## DTC Confirmation Procedure

ABS000ZX

## CAUTION:

Never remove fuel filler cap during the DTC Confirmation Procedure.

## NOTE:

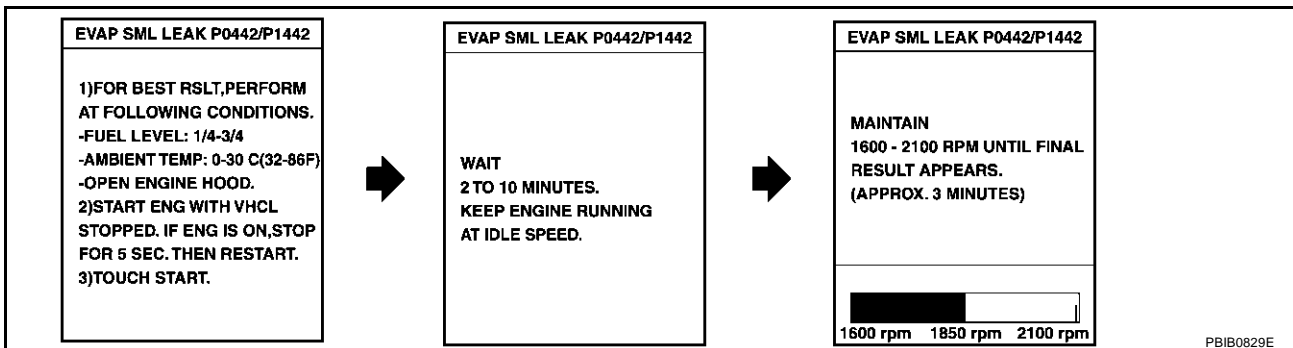
- Make sure that EVAP hoses are connected to EVAP canister purge volume control solenoid valve properly.
- If "DTC Confirmation Procedure" has been previously conducted, always turn ignition switch "OFF" and wait at least 10 seconds before conducting the next test.

## TESTING CONDITION:

- Perform "DTC WORK SUPPORT" when the fuel level is between 1/4 and 3/4 full, and vehicle is placed on flat level surface.
- Open engine hood before conducting the following procedures.

## WITH CONSULT-II

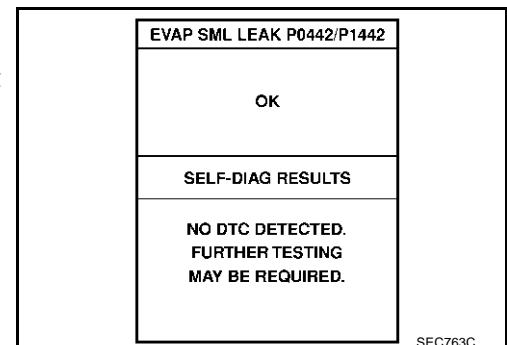
1. Tighten fuel filler cap securely until ratcheting sound is heard.
2. Turn ignition switch "ON".
3. Turn ignition switch "OFF" and wait at least 10 seconds.
4. Turn ignition switch "ON" and select "DATA MONITOR" mode with CONSULT-II.
5. Make sure that the following conditions are met.  
**COOLAN TEMP/S: 0 - 70°C (32 - 158°F)**  
**INT/A TEMP SE: 0 - 60°C (32 - 140°F)**
6. Select "EVAP SML LEAK P0442/P1442" of "EVAPORATIVE SYSTEM" in "DTC WORK SUPPORT" mode with CONSULT-II.  
Follow the instruction displayed.



## NOTE:

If the engine speed cannot be maintained within the range displayed on the CONSULT-II screen, go to [EC-86, "Basic Inspection"](#).

7. Make sure that "OK" is displayed.  
If "NG" is displayed, select "SELF-DIAG RESULTS" mode and make sure that "EVAP GROSS LEAK [P0455]" is displayed. If it is displayed, refer to [EC-371, "Diagnostic Procedure"](#).  
If P0442 is displayed, perform "Diagnostic Procedure" for DTC P0442 [EC-331, "Diagnostic Procedure"](#).



# DTC P0455 EVAP CONTROL SYSTEM

## WITH GST

### NOTE:

Be sure to read the explanation of "Driving Pattern" on [EC-66](#) before driving vehicle.

1. Start engine.
2. Drive vehicle according to "Driving Pattern", [EC-66](#) .
3. Stop vehicle.
4. Select "MODE 1" with GST.
  - If SRT of EVAP system is not set yet, go to the following step.
  - If SRT of EVAP system is set, the result will be OK.
5. Turn ignition switch "OFF" and wait at least 10 seconds.
6. Start engine.  
**It is not necessary to cool engine down before driving.**
7. Drive vehicle again according to the "Driving Pattern", [EC-66](#) .
8. Stop vehicle.
9. Select "MODE 3" with GST.
  - If P0455 is displayed on the screen, go to [EC-371, "Diagnostic Procedure"](#) .
  - If P0442 is displayed on the screen, go to "Diagnostic Procedure", for DTC P0442, [EC-331](#) .
  - If P0441 is displayed on the screen, go to "Diagnostic Procedure" for DTC P0441, [EC-325](#) .
  - If P0455, P0441, P0442 are not displayed on the screen, go to the following step.
10. Select "MODE 1" with GST.
  - If SRT of EVAP system is set, the result will be OK.
  - If SRT of EVAP system is not set, go to step 6.

## Diagnostic Procedure

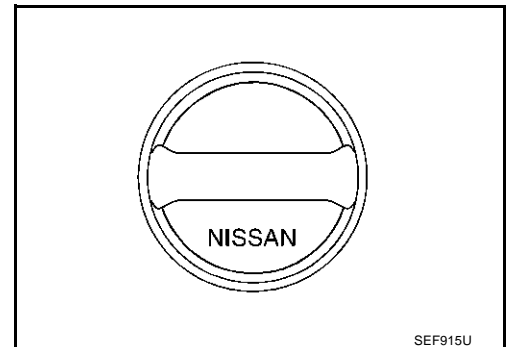
ABS000ZY

### 1. CHECK FUEL FILLER CAP DESIGN

1. Turn ignition switch "OFF".
2. Check for genuine NISSAN fuel filler cap design.

#### OK or NG

- OK >> GO TO 2.  
NG >> Replace with genuine NISSAN fuel filler cap.



### 2. CHECK FUEL FILLER CAP INSTALLATION

Check that the cap is tightened properly by rotating the cap clockwise.

#### OK or NG

- OK >> GO TO 3.  
NG >> 1. Open fuel filler cap, then clean cap and fuel filler neck threads using air blower.  
2. Retighten until ratcheting sound is heard.

### 3. CHECK FUEL FILLER CAP FUNCTION

Check for air releasing sound while opening the fuel filler cap.

#### OK or NG

- OK >> GO TO 5.  
NG >> GO TO 4.

# DTC P0455 EVAP CONTROL SYSTEM

---

## 4. CHECK FUEL TANK VACUUM RELIEF VALVE

---

Refer to [EC-636, "FUEL TANK VACUUM RELIEF VALVE \(BUILT INTO FUEL FULLER CAP\)"](#) .

OK or NG

- OK >> GO TO 5.
- NG >> Replace fuel filler cap with a genuine one.

## 5. CHECK EVAP PURGE LINE

---

Check EVAP purge line (pipe, rubber tube, fuel tank and EVAP canister) for cracks, improper connection or disconnection.

Refer to [EC-634, "EVAPORATIVE EMISSION LINE DRAWING"](#) .

OK or NG

- OK >> GO TO 6.
- NG >> Repair or reconnect the hose.

## 6. CLEAN EVAP PURGE LINE

---

Clean EVAP purge line (pipe and rubber tube) using air blower.

>> GO TO 7.

## 7. CHECK EVAP CANISTER VENT CONTROL VALVE

---

Check the following.

- EVAP canister vent control valve is installed properly.  
Refer to [EC-637, "Removal and Installation"](#) .
- EVAP canister vent control valve.  
Refer to [EC-350, "Component Inspection"](#) .

OK or NG

- OK >> GO TO 8.
- NG >> Repair or replace EVAP canister vent control valve and O-ring.

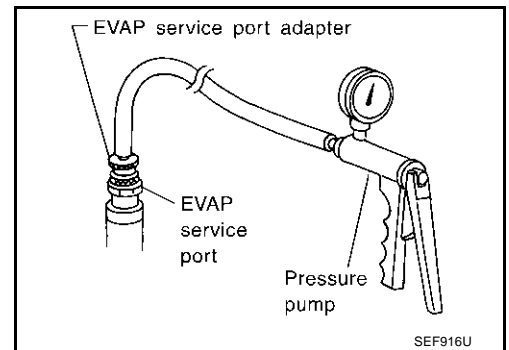
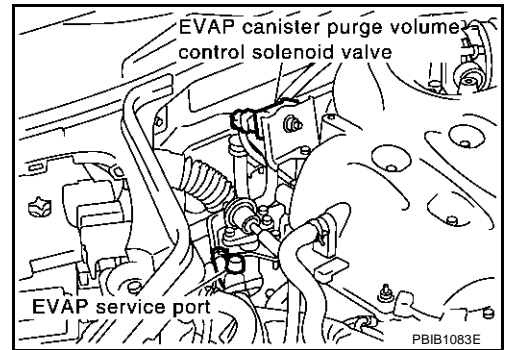
# DTC P0455 EVAP CONTROL SYSTEM

## 8. INSTALL THE PRESSURE PUMP

To locate the EVAP leak, install EVAP service port adapter and pressure pump to EVAP service port securely.

**NOTE:**

**Improper installation of the EVAP service port adapter to the EVAP service port may cause leaking.**



Models with CONSULT-II >> GO TO 9.  
Models without CONSULT-II >> GO TO 10.

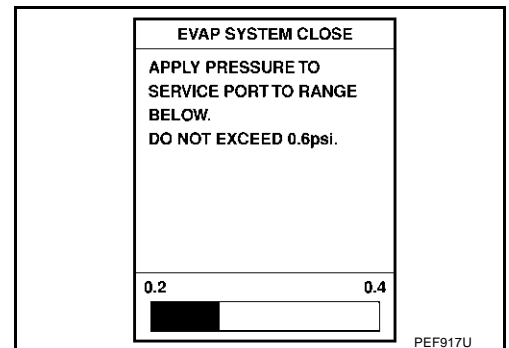
## 9. CHECK FOR EVAP LEAK

### Ⓟ With CONSULT-II

1. Turn ignition switch "ON".
2. Select "EVAP SYSTEM CLOSE" of "WORK SUPPORT" mode with CONSULT-II.
3. Touch "START" and apply pressure into the EVAP line until the pressure indicator reaches the middle of the bar graph.

**NOTE:**

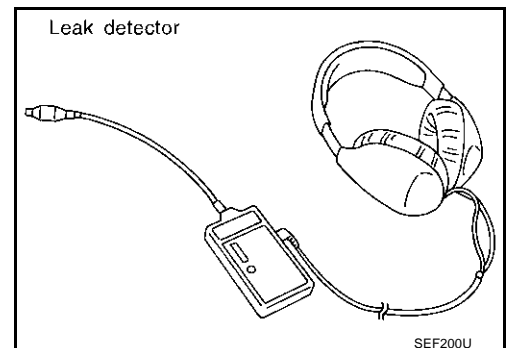
- Never use compressed air or a high pressure pump.
- Do not exceed 4.12 kPa (0.042 kg/cm<sup>2</sup>, 0.6 psi) of pressure in the system.



4. Using EVAP leak detector, locate the EVAP leak. For the leak detector, refer to the instruction manual for more details. Refer to [EC-634, "EVAPORATIVE EMISSION LINE DRAWING"](#)

### OK or NG

- OK >> GO TO 11.  
NG >> Repair or replace.

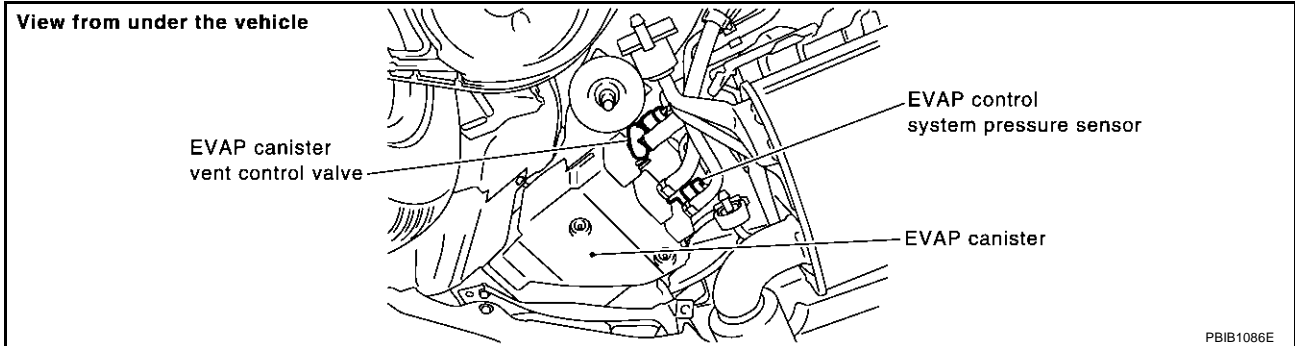


# DTC P0455 EVAP CONTROL SYSTEM

## 10. CHECK FOR EVAP LEAK

### ⊗ Without CONSULT-II

1. Turn ignition switch "OFF".
2. Apply 12 volts DC to EVAP canister vent control valve. The valve will close. (Continue to apply 12 volts until the end of test.)

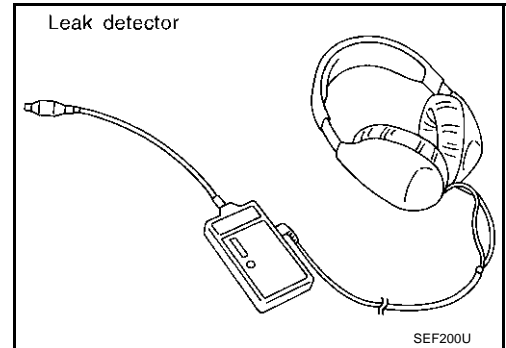


3. Pressurize the EVAP line using pressure pump with 1.3 to 2.7 kPa (10 to 20 mmHg, 0.39 to 0.79 inHg), then remove pump and EVAP service port adapter.

#### NOTE:

- Never use compressed air or a high pressure pump.
- Do not exceed 4.12 kPa (0.042 kg/cm<sup>2</sup>, 0.6 psi) of pressure in the system.

4. Using EVAP leak detector, locate the EVAP leak. For the leak detector, refer to the instruction manual for more details. Refer to [EC-634, "EVAPORATIVE EMISSION LINE DRAWING"](#).



#### OK or NG

- OK >> GO TO 12.  
NG >> Repair or replace.

## 11. CHECK EVAP CANISTER PURGE VOLUME CONTROL SOLENOID VALVE OPERATION

### Ⓟ With CONSULT-II

1. Disconnect vacuum hose to EVAP canister purge volume control solenoid valve at EVAP service port.
2. Start engine.
3. Perform "PURG VOL CONT/V" in "ACTIVE TEST" mode.
4. Touch "Qu" on CONSULT-II screen to increase "PURG VOL CONT/V" opening to 100.0%.
5. Check vacuum hose for vacuum when revving engine up to 2,000 rpm.

#### OK or NG

- OK >> GO TO 14.  
NG >> GO TO 13.

ACTIVE TEST	
PURG VOL CONT/V	XXX %
MONITOR	
ENG SPEED	XXX rpm
A/F ALPHA-B1	XX %
HO2S1 MNTR (B1)	LEAN

PBIB0828E

# DTC P0455 EVAP CONTROL SYSTEM

## 12. CHECK EVAP CANISTER PURGE VOLUME CONTROL SOLENOID VALVE OPERATION

### ⊗ Without CONSULT-II

1. Start engine and warm it up to normal operating temperature.
2. Stop engine.
3. Disconnect vacuum hose to EVAP canister purge volume control solenoid valve at EVAP service port.
4. Start engine and let it idle for at least 80 seconds.
5. Check vacuum hose for vacuum when revving engine up to 2,000 rpm.

Vacuum should exist.

### OK or NG

- OK >> GO TO 15.  
NG >> GO TO 13.

## 13. CHECK VACUUM HOSE

Check vacuum hoses for clogging or disconnection. Refer to [EC-23, "Vacuum Hose Drawing"](#).

### OK or NG

- OK (With CONSULT-II)>>GO TO 14.  
OK (Without CONSULT-II)>>GO TO 15.  
NG >> Repair or reconnect the hose.

## 14. CHECK EVAP CANISTER PURGE VOLUME CONTROL SOLENOID VALVE

### Ⓜ With CONSULT-II

1. Start engine.
2. Perform "PURG VOL CONT/V" in "ACTIVE TEST" mode with CONSULT-II. Check that engine speed varies according to the valve opening.

### OK or NG

- OK >> GO TO 16.  
NG >> GO TO 15.

ACTIVE TEST	
PURG VOL CONT/V	XXX %
MONITOR	
ENG SPEED	XXX rpm
A/F ALPHA-B1	XX %
HO2S1 MNTR (B1)	LEAN

PBIB0828E

## 15. CHECK EVAP CANISTER PURGE VOLUME CONTROL SOLENOID VALVE

Refer to [EC-343, "Component Inspection"](#).

### OK or NG

- OK >> GO TO 16.  
NG >> Replace EVAP canister purge volume control solenoid valve.

## 16. CHECK FUEL TANK TEMPERATURE SENSOR

Refer to [EC-281, "Component Inspection"](#).

### OK or NG

- OK >> GO TO 17.  
NG >> Replace fuel level sensor unit.

# DTC P0455 EVAP CONTROL SYSTEM

---

## 17. CHECK EVAP CONTROL SYSTEM PRESSURE SENSOR

---

Refer to [EC-360, "Component Inspection"](#) .

OK or NG

- OK >> GO TO 18.
- NG >> Replace EVAP control system pressure sensor.

## 18. CHECK EVAP/ORVR LINE

---

Check EVAP/ORVR line between EVAP canister and fuel tank for clogging, kink, looseness and improper connection. For location, refer to [EC-640, "ON BOARD REFUELING VAPOR RECOVERY \(ORVR\)"](#) .

OK or NG

- OK >> GO TO 19.
- NG >> Repair or replace hoses and tubes.

## 19. CHECK RECIRCULATION LINE

---

Check recirculation line between filler neck tube and fuel tank for clogging, kink, cracks, looseness and improper connection.

OK or NG

- OK >> GO TO 20.
- NG >> Repair or replace hose, tube or filler neck tube.

## 20. CHECK REFUELING EVAP VAPOR CUT VALVE

---

Refer to [EC-643, "REFUELING EVAP VAPOR CUT VALVE"](#) .

OK or NG

- OK >> GO TO 21.
- NG >> Replace refueling EVAP vapor cut valve with fuel tank.

## 21. CHECK INTERMITTENT INCIDENT

---

Refer to [EC-137, "TROUBLE DIAGNOSIS FOR INTERMITTENT INCIDENT"](#) .

>> **INSPECTION END**



# DTC P0456 EVAP CONTROL SYSTEM

## DTC P0456 EVAP CONTROL SYSTEM

PFP:14950

### On Board Diagnosis Logic

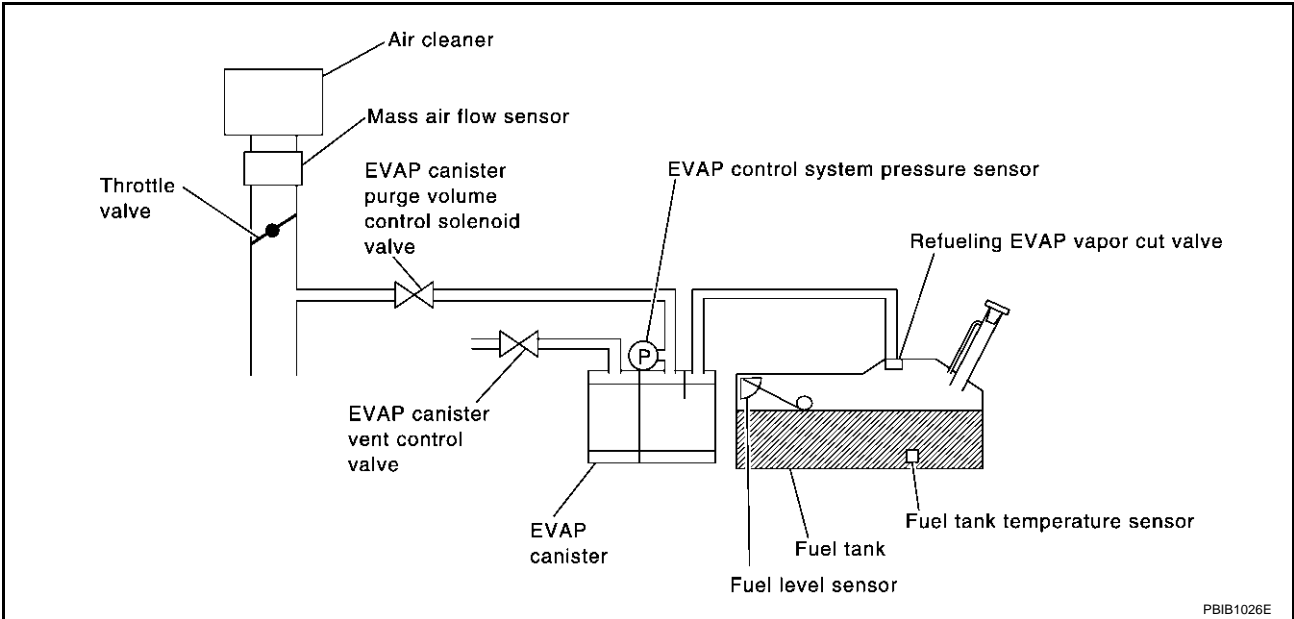
ABS000ZZ

This diagnosis detects very small leaks in the EVAP line between fuel tank and EVAP canister purge volume control solenoid valve, using the intake manifold vacuum in the same way as conventional EVAP small leak diagnosis.

If ECM judges a leak which corresponds to a very small leak, the very small leak P0456 will be detected.

If ECM judges a leak equivalent to a small leak, EVAP small leak P0442 will be detected.

If ECM judges there are no leaks, the diagnosis will be OK.



A  
EC  
C  
D  
E  
F  
G  
H  
I  
J  
K  
L  
M

# DTC P0456 EVAP CONTROL SYSTEM

DTC No.	Trouble diagnosis name	DTC detecting condition	Possible cause
P0456 0456	Evaporative emission control system very small leak (negative pressure check)	<ul style="list-style-type: none"> <li>● EVAP system has a very small leak.</li> <li>● EVAP system does not operate properly.</li> </ul>	<ul style="list-style-type: none"> <li>● Incorrect fuel tank vacuum relief valve</li> <li>● Incorrect fuel filler cap used</li> <li>● Fuel filler cap remains open or fails to close.</li> <li>● Foreign matter caught in fuel filler cap.</li> <li>● Leak is in line between intake manifold and EVAP canister purge volume control solenoid valve.</li> <li>● Foreign matter caught in EVAP canister vent control valve.</li> <li>● EVAP canister or fuel tank leaks</li> <li>● EVAP purge line (pipe and rubber tube) leaks</li> <li>● EVAP purge line rubber tube bent</li> <li>● Blocked or bent rubber tube to EVAP control system pressure sensor</li> <li>● Loose or disconnected rubber tube</li> <li>● EVAP canister vent control valve and the circuit</li> <li>● EVAP canister purge volume control solenoid valve and the circuit</li> <li>● Fuel tank temperature sensor</li> <li>● O-ring of EVAP canister vent control valve is missing or damaged</li> <li>● EVAP canister is saturated with water</li> <li>● EVAP control system pressure sensor</li> <li>● Refueling EVAP vapor cut valve</li> <li>● ORVR system leaks</li> <li>● Fuel level sensor and the circuit</li> <li>● Foreign matter caught in EVAP canister purge volume control solenoid valve</li> </ul>

**CAUTION:**

- Use only a genuine NISSAN fuel filler cap as a replacement. If an incorrect fuel filler cap is used, the MIL may come on.
- If the fuel filler cap is not tightened properly, the MIL may come on.
- Use only a genuine NISSAN rubber tube as a replacement.

## DTC Confirmation Procedure

ABS00100

**NOTE:**

- If DTC P0456 is displayed with P0442, first perform trouble diagnosis for DTC P0456.
- After repair, make sure that the hoses and clips are installed properly.
- If "DTC Confirmation Procedure" has been previously conducted, always turn ignition switch "OFF" and wait at least 10 seconds before conducting the next test.

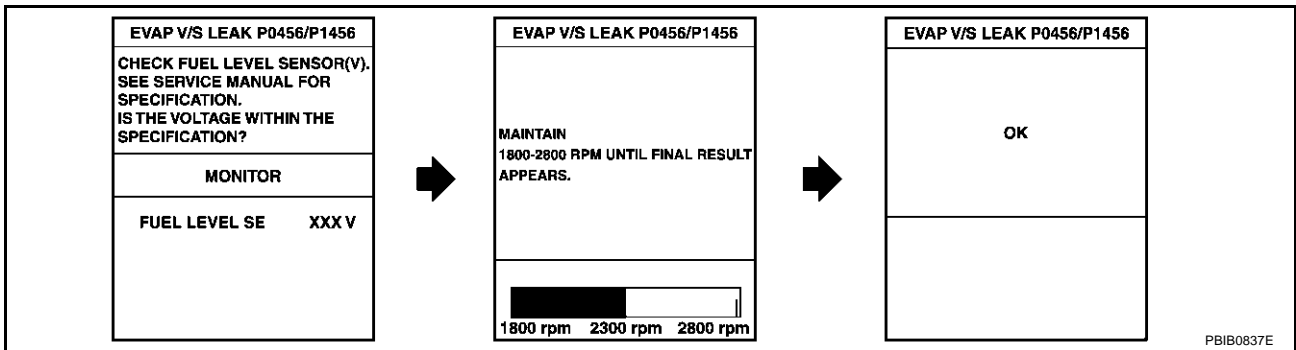
**TESTING CONDITION:**

- Open engine hood before conducting following procedure.
- If any of following conditions are met just before the DTC confirmation procedure, leave the vehicle for more than 1 hour.
  - Fuel filler cap is removed.
  - Refilled or drained the fuel.
  - EVAP component parts is/are removed.
- Before performing the following procedure, confirm that battery voltage is more than 11V at idle.

# DTC P0456 EVAP CONTROL SYSTEM

## WITH CONSULT-II

1. Turn ignition switch "ON" and select "DATA MONITOR" mode with CONSULT-II.
2. Make sure the following conditions are met.  
**FUEL LEVEL SE: 0.25 - 1.4V**  
**COOLAN TEMP/S: 0 - 32°C (32 - 90°F)**  
**FUEL T/TMP SE: 0 - 35°C (32 - 95°F)**  
**INT A/TEMP SE: More than 0°C (32°F)**  
If NG, turn ignition switch "OFF" and leave the vehicle in a cool place (soak the vehicle) or refilling/draining fuel until the output voltage condition of the "FUEL LEVEL SE" meets within the range above and leave the vehicle for more than 1 hour. Then start from step 1).
3. Turn ignition switch "OFF" and wait at least 10 seconds.
4. Turn ignition switch "ON".
5. Select "EVAP V/S LEAK P0456/P1456" of "EVAPORATIVE SYSTEM" in "DTC WORK SUPPORT" mode with CONSULT-II.  
Follow the instruction displayed.



6. Make sure that "OK" is displayed.  
If "NG" is displayed, refer to [EC-380, "Diagnostic Procedure"](#).
- NOTE:**
- If the engine speed cannot be maintained within the range displayed on CONSULT-II screen, go to [EC-86, "Basic Inspection"](#).
  - Make sure that EVAP hoses are connected to EVAP canister purge volume control solenoid valve properly.

## Overall Function Check

ABS00101

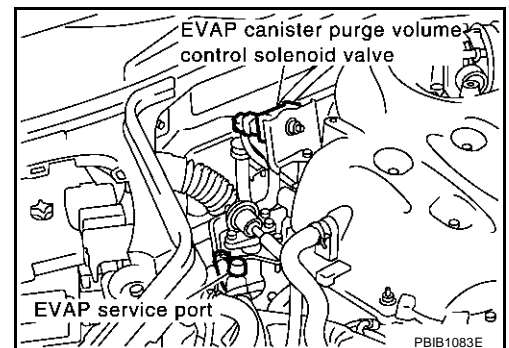
### WITH GST

Use this procedure to check the overall function of the EVAP very small leak function. During this check, a DTC might not be confirmed.

#### CAUTION:

- Never use compressed air, doing so may damage the EVAP system.
- Do not start engine.
- Do not exceeded 4.12 kPa (0.042 kg/cm<sup>2</sup> , 0.6 psi).

1. Attach the EVAP service port adapter securely to the EVAP service port.



## DTC P0456 EVAP CONTROL SYSTEM

2. Set the pressure pump and a hose.
3. Also set a vacuum gauge via 3-way connector and a hose.
4. Turn ignition switch "ON".
5. Connect GST and select mode 8.
6. Using mode 8 control the EVAP canister vent control valve (close).
7. Apply pressure and make sure the following conditions are satisfied.

**Pressure to be applied: 2.7 kPa (20 mmHg, 0.79 inHg)**

**Time to be waited after the pressure drawn in to the EVAP system and the pressure to be dropped: 60 seconds and the pressure should not be dropped more than 0.4 kPa (3 mmHg, 0.12 inHg).**

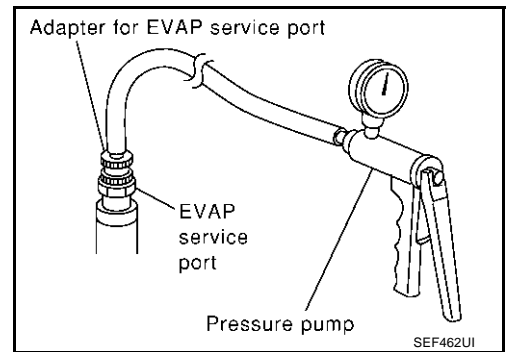
If NG, go to [EC-380, "Diagnostic Procedure"](#).

If OK, go to next step.

8. Disconnect GST.
9. Start engine and warm it up to normal operating temperature.
10. Turn ignition switch "OFF" and wait at least 10 seconds.
11. Restart engine and let it idle for 90 seconds.
12. Keep engine speed at 2,000 rpm for 30 seconds.
13. Turn ignition switch "OFF".

**NOTE:**

**For more information, refer to GST instruction manual.**



### Diagnostic Procedure

ABS00102

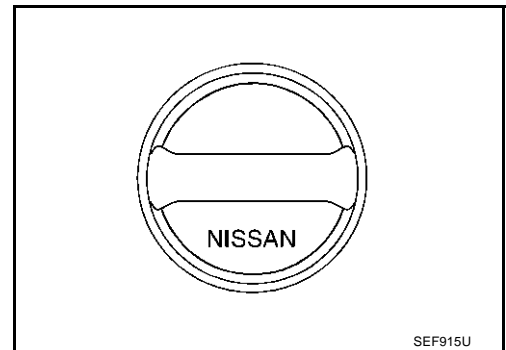
#### 1. CHECK FUEL FILLER CAP DESIGN

1. Turn ignition switch "OFF".
2. Check for genuine NISSAN fuel filler cap design.

OK or NG

OK >> GO TO 2.

NG >> Replace with genuine NISSAN fuel filler cap.



#### 2. CHECK FUEL FILLER CAP INSTALLATION

Check that the cap is tightened properly by rotating the cap clockwise.

OK or NG

OK >> GO TO 3.

NG >> 1. Open fuel filler cap, then clean cap and fuel filler neck threads using air blower.

2. Retighten until ratcheting sound is heard.

#### 3. CHECK FUEL FILLER CAP FUNCTION

Check for air releasing sound while opening the fuel filler cap.

OK or NG

OK >> GO TO 5.

NG >> GO TO 4.

# DTC P0456 EVAP CONTROL SYSTEM

## 4. CHECK FUEL TANK VACUUM RELIEF VALVE

Refer to [EC-636, "FUEL TANK VACUUM RELIEF VALVE \(BUILT INTO FUEL FULLER CAP\)"](#) .

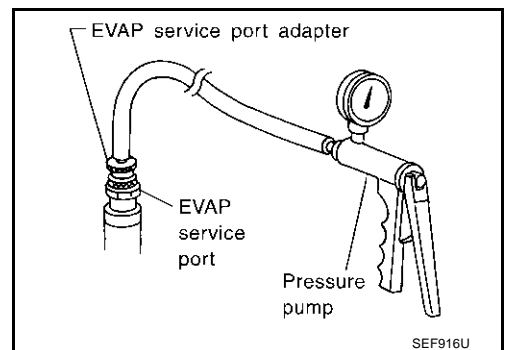
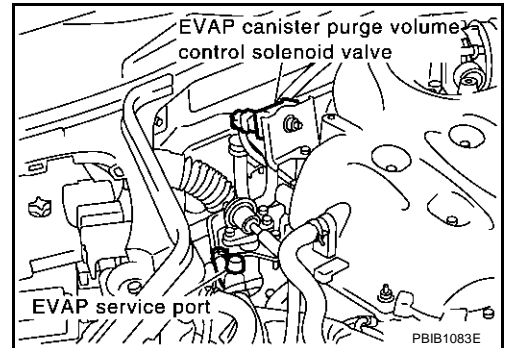
OK or NG

OK >> GO TO 5.

NG >> Replace fuel filler cap with a genuine one.

## 5. INSTALL THE PRESSURE PUMP

To locate the EVAP leak, install EVAP service port adapter and pressure pump to EVAP service port securely. For the location of EVAP service port, refer to [EC-634, "EVAPORATIVE EMISSION LINE DRAWING"](#) .



### NOTE:

Improper installation of the EVAP service port adapter to the EVAP service port may cause leaking.

Models with CONSULT-II >> GO TO 6.

Models without CONSULT-II >> GO TO 7.

## DTC P0456 EVAP CONTROL SYSTEM

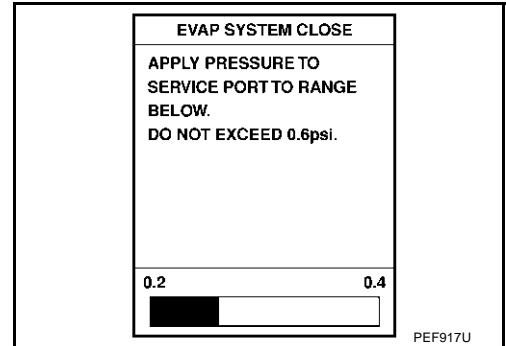
### 6. CHECK FOR EVAP LEAK

#### Ⓜ With CONSULT-II

1. Turn ignition switch "ON".
2. Select "EVAP SYSTEM CLOSE" of "WORK SUPPORT" mode with CONSULT-II.
3. Touch "START" and apply pressure into the EVAP line until the pressure indicator reaches the middle of the bar graph.

#### NOTE:

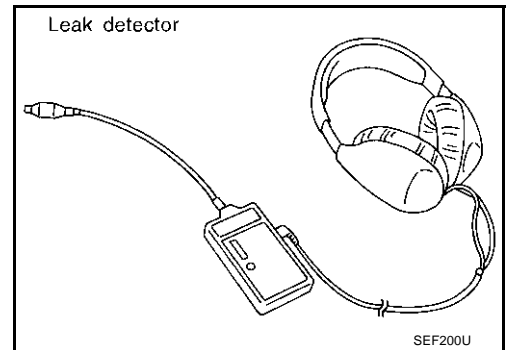
- Never use compressed air or a high pressure pump.
- Do not exceed 4.12 kPa (0.042 kg/cm<sup>2</sup> , 0.6 psi) of pressure in the system.



4. Using EVAP leak detector, locate the EVAP leak. For the leak detector, refer to the instruction manual for more details. Refer to [EC-634, "EVAPORATIVE EMISSION LINE DRAWING"](#)

#### OK or NG

- OK >> GO TO 8.  
NG >> Repair or replace.

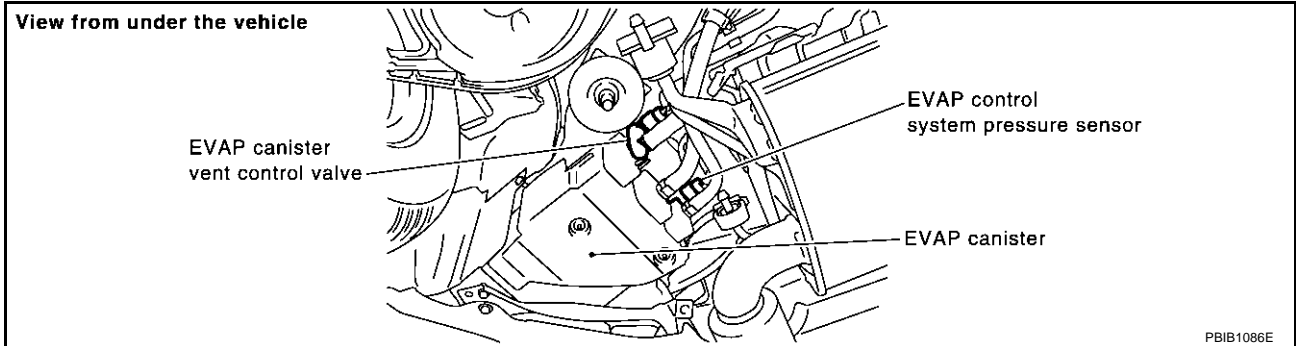


# DTC P0456 EVAP CONTROL SYSTEM

## 7. CHECK FOR EVAP LEAK

### ⊗ Without CONSULT-II

1. Turn ignition switch "OFF".
2. Apply 12 volts DC to EVAP canister vent control valve. The valve will close. (Continue to apply 12 volts until the end of test.)



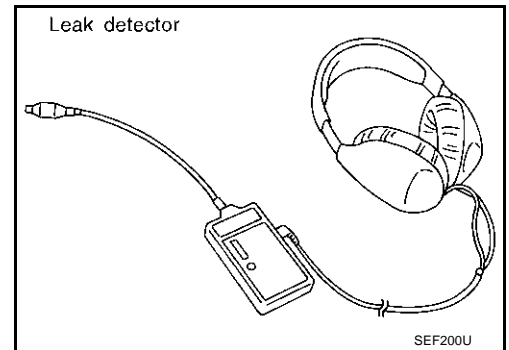
3. Pressurize the EVAP line using pressure pump with 1.3 to 2.7 kPa (10 to 20 mmHg, 0.39 to 0.79 inHg), then remove pump and EVAP service port adapter.

#### NOTE:

- Never use compressed air or a high pressure pump.
  - Do not exceed 4.12 kPa (0.042 kg/cm<sup>2</sup>, 0.6 psi) of pressure in the system.
4. Using EVAP leak detector, locate the EVAP leak. For the leak detector, refer to the instruction manual for more details. Refer to [EC-634, "EVAPORATIVE EMISSION LINE DRAWING"](#).

#### OK or NG

- OK >> GO TO 8.  
NG >> Repair or replace.



## 8. CHECK EVAP CANISTER VENT CONTROL VALVE

Check the following.

- EVAP canister vent control valve is installed properly. Refer to [EC-637, "Removal and Installation"](#).
- EVAP canister vent control valve. Refer to [EC-350, "Component Inspection"](#).

#### OK or NG

- OK >> GO TO 9.  
NG >> Repair or replace EVAP canister vent control valve and O-ring.

# DTC P0456 EVAP CONTROL SYSTEM

## 9. CHECK IF EVAP CANISTER SATURATED WITH WATER

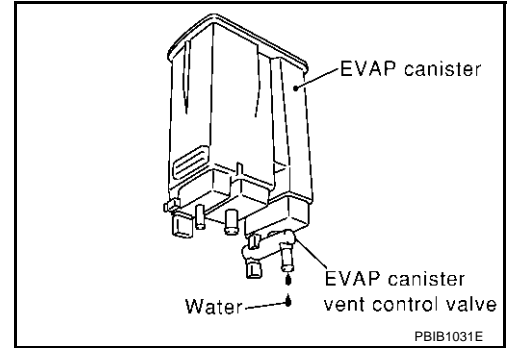
1. Remove EVAP canister with EVAP canister vent control valve and EVAP control system pressure sensor attached.
2. Does water drain from the EVAP canister?

Yes or No

Yes >> GO TO 10.

No (With CONSULT-II)>>GO TO 12.

No (Without CONSULT-II)>>GO TO 13.



## 10. CHECK EVAP CANISTER

Weigh the EVAP canister with the EVAP canister vent control valve and EVAP control system pressure sensor attached.

**The weight should be less than 2.2 kg (4.9 lb).**

OK or NG

OK (With CONSULT-II)>>GO TO 12.

OK (Without CONSULT-II)>>GO TO 13.

NG >> GO TO 11.

## 11. DETECT MALFUNCTIONING PART

Check the following.

- EVAP canister for damage
- EVAP hose between EVAP canister and vehicle frame for clogging or poor connection

>> Repair hose or replace EVAP canister.

## 12. CHECK EVAP CANISTER PURGE VOLUME CONTROL SOLENOID VALVE OPERATION

Ⓟ With CONSULT-II

1. Disconnect vacuum hose to EVAP canister purge volume control solenoid valve at EVAP service port.
2. Start engine.
3. Perform "PURG VOL CONT/V" in "ACTIVE TEST" mode.
4. Touch "Qu" on CONSULT-II screen to increase "PURG VOL CONT/V" opening to 100.0%.
5. Check vacuum hose for vacuum when revving engine up to 2,000 rpm.

OK or NG

OK >> GO TO 15.

NG >> GO TO 14.

ACTIVE TEST	
PURG VOL CONT/V	0 %
MONITOR	
ENG SPEED	XXX rpm
HO2S1 MNTR (B1)	LEAN
HO2S1 MNTR (B2)	LEAN
A/F ALPHA-B1	XXX %
A/F ALPHA-B2	XXX %

PBIB0147E



# DTC P0456 EVAP CONTROL SYSTEM

---

## 13. CHECK EVAP CANISTER PURGE VOLUME CONTROL SOLENOID VALVE OPERATION

---

### ⊗ Without CONSULT-II

1. Start engine and warm it up to normal operating temperature.
2. Stop engine.
3. Disconnect vacuum hose to EVAP canister purge volume control solenoid valve at EVAP service port.
4. Start engine and let it idle for at least 80 seconds.
5. Check vacuum hose for vacuum when revving engine up to 2,000 rpm.

**Vacuum should exist.**

### OK or NG

- OK >> GO TO 16.  
NG >> GO TO 14.

---

## 14. CHECK VACUUM HOSE

---

Check vacuum hoses for clogging or disconnection. Refer to [EC-23, "Vacuum Hose Drawing"](#).

### OK or NG

- OK >> GO TO 15.  
NG >> Repair or reconnect the hose.

---

## 15. CHECK EVAP CANISTER PURGE VOLUME CONTROL SOLENOID VALVE

---

Refer to [EC-343, "Component Inspection"](#).

### OK or NG

- OK >> GO TO 16.  
NG >> Replace EVAP canister purge volume control solenoid valve.

---

## 16. CHECK FUEL TANK TEMPERATURE SENSOR

---

Refer to [EC-281, "Component Inspection"](#).

### OK or NG

- OK >> GO TO 17.  
NG >> Replace fuel level sensor unit.

---

## 17. CHECK EVAP CONTROL SYSTEM PRESSURE SENSOR

---

Refer to [EC-360, "Component Inspection"](#).

### OK or NG

- OK >> GO TO 18.  
NG >> Replace EVAP control system pressure sensor.

---

## 18. CHECK EVAP PURGE LINE

---

Check EVAP purge line (pipe, rubber tube, fuel tank and EVAP canister) for cracks or improper connection. Refer to [EC-634, "EVAPORATIVE EMISSION LINE DRAWING"](#).

### OK or NG

- OK >> GO TO 19.  
NG >> Repair or reconnect the hose.

---

## 19. CLEAN EVAP PURGE LINE

---

Clean EVAP purge line (pipe and rubber tube) using air blower.

>> GO TO 20.

# DTC P0456 EVAP CONTROL SYSTEM

---

## 20. CHECK EVAP/ORVR LINE

---

Check EVAP/ORVR line between EVAP canister and fuel tank for clogging, kink, looseness and improper connection. For location, refer to [EC-640, "ON BOARD REFUELING VAPOR RECOVERY \(ORVR\)"](#) .

OK or NG

OK >> GO TO 21.

NG >> Repair or replace hoses and tubes.

## 21. CHECK RECIRCULATION LINE

---

Check recirculation line between filler neck tube and fuel tank for clogging, kink, cracks, looseness and improper connection.

OK or NG

OK >> GO TO 22.

NG >> Repair or replace hose, tube or filler neck tube.

## 22. CHECK REFUELING EVAP VAPOR CUT VALVE

---

Refer to [EC-643, "Component Inspection"](#) .

OK or NG

OK >> GO TO 23.

NG >> Replace refueling EVAP vapor cut valve with fuel tank.

## 23. CHECK FUEL LEVEL SENSOR

---

Refer to [DI-27, "FUEL LEVEL SENSOR UNIT CHECK"](#) .

OK or NG

OK >> GO TO 24.

NG >> Replace fuel level sensor unit.

## 24. CHECK INTERMITTENT INCIDENT

---

Refer to [EC-137, "TROUBLE DIAGNOSIS FOR INTERMITTENT INCIDENT"](#) .

>> **INSPECTION END**

# DTC P0460 FUEL LEVEL SENSOR

## DTC P0460 FUEL LEVEL SENSOR

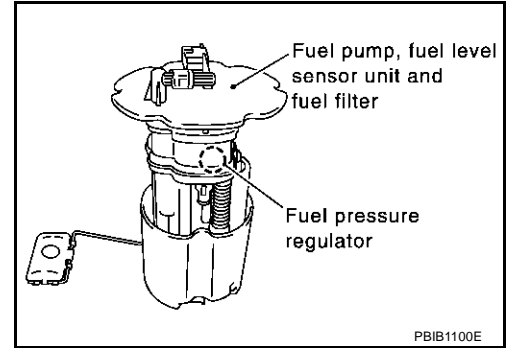
PF25060

### Component Description

ABS00104

The fuel level sensor is mounted in the fuel level sensor unit. The sensor detects a fuel level in the fuel tank and transmits a signal to the unified meter and A/C amp. The unified meter and A/C amp. sends the fuel level sensor signal to the ECM through CAN communication line.

It consists of two parts, one is mechanical float and the other is variable resistor. Fuel level sensor output voltage changes depending on the movement of the fuel mechanical float.



### On Board Diagnosis Logic

ABS00105

#### NOTE:

If DTC P0460 is displayed with DTC U1000 or U1001, first perform the trouble diagnosis for DTC U1000, U1001. Refer to [EC-145](#).

When the vehicle is parked, naturally the fuel level in the fuel tank is stable. It means that output signal of the fuel level sensor does not change. If ECM senses sloshing signal from the sensor, fuel level sensor malfunction is detected.

DTC No.	Trouble diagnosis name	DTC detecting condition	Possible cause
P0460 0460	Fuel level sensor circuit noise	Even though the vehicle is parked, a signal being varied is sent from the fuel level sensor to ECM.	<ul style="list-style-type: none"> <li>● Harness or connectors (The CAN communication line is open or shorted)</li> <li>● Harness or connectors (The sensor circuit is open or shorted)</li> <li>● Unified meter and A/C amp.</li> <li>● Fuel level sensor</li> </ul>

### DTC Confirmation Procedure

ABS00106

#### NOTE:

If "DTC Confirmation Procedure" has been previously conducted, always turn ignition switch "OFF" and wait at least 10 seconds before conducting the next test.

#### WITH CONSULT-II

1. Turn ignition switch "ON".
2. Select "DATA MONITOR" mode with CONSULT-II.
3. Start engine and wait maximum of 2 consecutive minutes.
4. If 1st trip DTC is detected, go to [EC-388, "Diagnostic Procedure"](#)

DATA MONITOR	
MONITOR	NO DTC
FUEL T/TMP SE	XXX °C
FUEL LEVEL SE	XXX V

SEF195Y

#### WITH GST

Follow the procedure "WITH CONSULT-II" above.

# DTC P0460 FUEL LEVEL SENSOR

---

## Diagnostic Procedure

ABS00108

### 1. CHECK DTC WITH UNIFIED METER AND A/C AMP.

---

Refer to [DI-65, "SELF-DIAGNOSIS RESULTS"](#) .

OK or NG

OK >> GO TO 2.

NG >> Go to [DI-21, "Fuel Level Sensor Signal Inspection 3"](#) .

### 2. CHECK INTERMITTENT INCIDENT

---

Refer to [EC-137, "TROUBLE DIAGNOSIS FOR INTERMITTENT INCIDENT"](#) .

>> INSPECTION END

## Removal and Installation FUEL LEVEL SENSOR

ABS00109

Refer to [FL-5, "FUEL LEVEL SENSOR UNIT, FUEL FILTER AND FUEL PUMP ASSEMBLY"](#) .

# DTC P0461 FUEL LEVEL SENSOR

## DTC P0461 FUEL LEVEL SENSOR

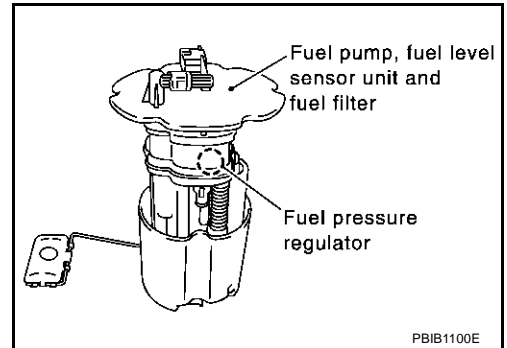
PFP:25060

### Component Description

ABS0010A

The fuel level sensor is mounted in the fuel level sensor unit. The sensor detects a fuel level in the fuel tank and transmits a signal to the unified meter and A/C amp. The unified meter and A/C amp. sends the fuel level sensor signal to the ECM through CAN communication line.

It consists of two parts, one is mechanical float and the other is variable resistor. Fuel level sensor output voltage changes depending on the movement of the fuel mechanical float.



### On Board Diagnosis Logic

ABS0010B

#### NOTE:

If DTC P0461 is displayed with DTC U1000 or U1001, first perform the trouble diagnosis for DTC U1000, U1001. Refer to [EC-145](#).

Driving long distances naturally affect fuel gauge level.

This diagnosis detects the fuel gauge malfunction of the gauge not moving even after a long distance has been driven.

DTC No.	Trouble diagnosis name	DTC detecting condition	Possible cause
P0461 0461	Fuel level sensor circuit range/performance	The output signal of the fuel level sensor does not change within the specified range even though the vehicle has been driven a long distance.	<ul style="list-style-type: none"> <li>● Harness or connectors (The CAN communication line is open or shorted)</li> <li>● Harness or connectors (The sensor circuit is open or shorted)</li> <li>● Unified meter and A/C amp.</li> <li>● Fuel level sensor</li> </ul>

### Overall Function Check

ABS0010C

Use this procedure to check the overall function of the fuel level sensor function. During this check, a 1st trip DTC might not be confirmed.

#### WARNING:

When performing following procedure, be sure to observe the handling of the fuel. Refer to [FL-11, "FUEL TANK"](#).

#### TESTING CONDITION:

Before starting overall function check, preparation of draining fuel and refilling fuel is required.

#### Ⓟ WITH CONSULT-II

#### NOTE:

Start from step 11, if it is possible to confirm that the fuel cannot be drained by 30 ℓ (7-7/8 US gal, 6-5/8 Imp gal) in advance.

1. Prepare a fuel container and a spare hose.
2. Release fuel pressure from fuel line, refer to [EC-53, "FUEL PRESSURE RELEASE"](#).
3. Remove the fuel feed hose on the fuel level sensor unit.
4. Connect a spare fuel hose where the fuel feed hose was removed.
5. Turn ignition switch "OFF" and wait at least 10 seconds then turn "ON".
6. Select "FUEL LEVEL SE" in "DATA MONITOR" mode with CONSULT-II.

## DTC P0461 FUEL LEVEL SENSOR

7. Check "FUEL LEVEL SE" output voltage and note it.
8. Select "FUEL PUMP" in "ACTIVE TEST" mode with CONSULT-II.
9. Touch "ON" and drain fuel approximately 30 ℓ (7-7/8 US gal, 6-5/8 Imp gal) and stop it.
10. Fill fuel into the fuel tank for 30 ℓ (7-7/8 US gal, 6-5/8 Imp gal).
11. Check "FUEL LEVEL SE" output voltage and note it.
12. Check "FUEL LEVEL SE" output voltage and confirm whether the voltage changes more than 0.03V during step 7 to 11.  
If NG, go to [EC-390, "Diagnostic Procedure"](#).

DATA MONITOR	
MONITOR	NO DTC
FUEL/TMP SE	XXX °C
FUEL LEVEL SE	XXX V

SEF195Y

### WITH GST

#### NOTE:

Start from step 8, if it is possible to confirm that the fuel cannot be drained by 30 ℓ (7-7/8 US gal, 6-5/8 Imp gal) in advance.

1. Prepare a fuel container and a spare hose.
2. Release fuel pressure from fuel line. Refer to [EC-53, "FUEL PRESSURE RELEASE"](#).
3. Remove the fuel feed hose on the fuel level sensor unit.
4. Connect a spare fuel hose where the fuel feed hose was removed.
5. Turn ignition switch "ON".
6. Drain fuel by 30 ℓ (7-7/8 US gal, 6-5/8 Imp gal) from the fuel tank using proper equipment.
7. Confirm that the fuel gauge indication varies.
8. Fill fuel into the fuel tank for 30 ℓ (7-7/8 US gal, 6-5/8 Imp gal).
9. Confirm that the fuel gauge indication varies.
10. If NG, go to [EC-390, "Diagnostic Procedure"](#).

### Diagnostic Procedure

ABS002ZR

#### 1. CHECK DTC WITH UNIFIED METER AND A/C AMP.

Refer to [DI-65, "SELF-DIAGNOSIS RESULTS"](#).

OK or NG

OK >> GO TO 2.

NG >> Go to [DI-21, "Fuel Level Sensor Signal Inspection 3"](#).

#### 2. CHECK INTERMITTENT INCIDENT

Refer to [EC-137, "TROUBLE DIAGNOSIS FOR INTERMITTENT INCIDENT"](#).

>> INSPECTION END

### Removal and Installation FUEL LEVEL SENSOR

ABS002ZS

Refer to [FL-5, "FUEL LEVEL SENSOR UNIT, FUEL FILTER AND FUEL PUMP ASSEMBLY"](#).

# DTC P0462 FUEL LEVEL SENSOR

## DTC P0462 FUEL LEVEL SENSOR

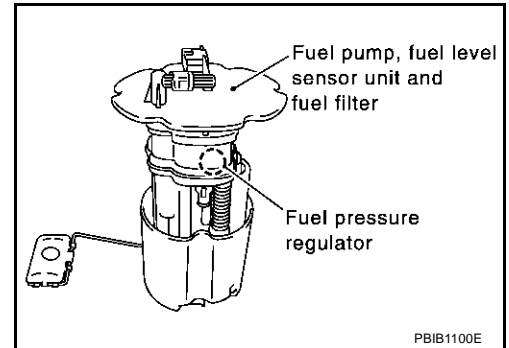
PF2:25060

### Component Description

ABS0010D

The fuel level sensor is mounted in the fuel level sensor unit. The sensor detects a fuel level in the fuel tank and transmits a signal to the unified meter and A/C amp. The unified meter and A/C amp. sends the fuel level sensor signal to the ECM through CAN communication line.

It consists of two parts, one is mechanical float and the other is variable resistor. Fuel level sensor output voltage changes depending on the movement of the fuel mechanical float.



ABS0010E

### On Board Diagnosis Logic

#### NOTE:

If DTC P0462 is displayed with DTC U1000 or U1001, first perform the trouble diagnosis for DTC U1000, U1001. Refer to [EC-145](#).

This diagnosis indicates the former, to detect open or short circuit malfunction.

DTC No.	Trouble diagnosis name	DTC detecting condition	Possible cause
P0462 0462	Fuel level sensor circuit low input	An excessively low voltage is sent from the sensor is sent to ECM.	<ul style="list-style-type: none"> <li>● Harness or connectors (The CAN communication line is open or shorted)</li> <li>● Harness or connectors (The sensor circuit is open or shorted)</li> <li>● Unified meter and A/C amp.</li> <li>● Fuel level sensor</li> </ul>

### DTC Confirmation Procedure

ABS0010F

#### NOTE:

If "DTC Confirmation Procedure" has been previously conducted, always turn ignition switch "OFF" and wait at least 10 seconds before conducting the next test.

#### TESTING CONDITION:

Before performing the following procedure, confirm that battery voltage is more than 11V at ignition switch "ON".

#### WITH CONSULT-II

1. Turn ignition switch "ON".
2. Select "DATA MONITOR" mode with CONSULT-II.
3. Wait at least 5 seconds.
4. If 1st trip DTC is detected, go to [EC-392, "Diagnostic Procedure"](#).

DATA MONITOR	
MONITOR	NO DTC
FUEL T/TMP SE	XXX °C
FUEL LEVEL SE	XXX V

SEF195Y

#### WITH GST

Follow the procedure "WITH CONSULT-II" above.

# DTC P0462 FUEL LEVEL SENSOR

---

## Diagnostic Procedure

ABS0010H

### 1. CHECK DTC WITH UNIFIED METER AND A/C AMP.

---

Refer to [DI-65, "SELF-DIAGNOSIS RESULTS"](#) .

OK or NG

OK >> GO TO 2.

NG >> Go to [DI-21, "Fuel Level Sensor Signal Inspection 3"](#) .

### 2. CHECK INTERMITTENT INCIDENT

---

Refer to [EC-137, "TROUBLE DIAGNOSIS FOR INTERMITTENT INCIDENT"](#) .

>> INSPECTION END

## Removal and Installation FUEL LEVEL SENSOR

ABS0010I

Refer to [FL-5, "FUEL LEVEL SENSOR UNIT, FUEL FILTER AND FUEL PUMP ASSEMBLY"](#) .



# DTC P0500 VSS

## DTC P0500 VSS

PF3:32702

### Description

ABS0010J

#### NOTE:

If DTC P0500 is displayed with DTC U1000 or U1001, first perform the trouble diagnosis for DTC U1000, U1001. Refer to [EC-145, "DTC U1000, U1001 CAN COMMUNICATION LINE"](#).

The vehicle speed signal is sent to the unified meter and A/C amp. from the VDC/TCS/ABS control unit (models with VDC) or ABS actuator and electric unit (control unit) (models without VDC) by CAN communication line. The unified meter and A/C amp. then sends the signal to the ECM by CAN communication line.

### On Board Diagnosis Logic

ABS0010K

DTC No.	Trouble diagnosis name	DTC detecting condition	Possible cause
P0500 0500	Vehicle speed sensor	The almost 0 km/h (0 MPH) signal from vehicle speed sensor is sent to ECM even when vehicle is being driven.	<ul style="list-style-type: none"> <li>● Harness or connectors (The CAN communication line is open or shorted)</li> <li>● Harness or connectors (The vehicle speed signal circuit is open or shorted)</li> <li>● Wheel sensor</li> <li>● Unified meter and A/C amp.</li> <li>● ABS actuator and electric unit (control unit) (models without VDC)</li> <li>● VDC/TCS/ABS control unit (models with VDC)</li> </ul>

### DTC Confirmation Procedure

ABS0010L

#### CAUTION:

Always drive vehicle at a safe speed.

#### NOTE:

If "DTC Confirmation Procedure" has been previously conducted, always turn ignition switch "OFF" and wait at least 10 seconds before conducting the next test.

#### TESTING CONDITION:

Steps 1 and 2 may be conducted with the drive wheels lifted in the shop or by driving the vehicle. If a road test is expected to be easier, it is unnecessary to lift the vehicle.

#### WITH CONSULT-II

1. Start engine (TCS switch or VDC switch "OFF").
2. Read "VHCL SPEED SE" in "DATA MONITOR" mode with CONSULT-II. The vehicle speed on CONSULT-II should exceed 10 km/h (6 MPH) when rotating wheels with suitable gear position.  
If NG, go to [EC-394, "Diagnostic Procedure"](#).  
If OK, go to following step.
3. Select "DATA MONITOR" mode with CONSULT-II.
4. Warm engine up to normal operating temperature.
5. Maintain the following conditions for at least 60 consecutive seconds.

ENG SPEED	1,700 - 6,000 rpm
COOLAN TEMP/S	More than 70°C (158°F)
B/FUEL SCHDL	5.5 - 31.8 msec
Selector lever	Except "P" or "N" position (A/T) Except "Neutral" position (M/T)
PW/ST SIGNAL	OFF

DATA MONITOR	
MONITOR	NO DTC
ENG SPEED	XXX rpm
COOLAN TEMP/S	XXX °C
B/FUEL SCHDL	XXX msec
PW/ST SIGNAL	OFF
VHCL SPEED SE	XXX km/h

SEF196Y

6. If 1st trip DTC is detected, go to [EC-394, "Diagnostic Procedure"](#)

---

## Overall Function Check

ABS0010M

Use this procedure to check the overall function of the vehicle speed sensor circuit. During this check, a 1st trip DTC might not be confirmed.

### WITH GST

1. Lift up drive wheels.
2. Start engine.
3. Read vehicle speed sensor signal in "MODE 1" with GST.  
The vehicle speed sensor on GST should be able to exceed 10 km/h (6 MPH) when rotating wheels with suitable gear position.
4. If NG, go to [EC-394, "Diagnostic Procedure"](#) .

## Diagnostic Procedure

ABS0010N

### 1. CHECK DTC WITH VDC/TCS ABS CONTROL UNIT (MODELS WITH VDC) OR ABS ACTUATOR AND ELECTRIC UNIT (CONTROL UNIT) (MODELS WITHOUT VDC)

---

Refer to [BRC-53, "TROUBLE DIAGNOSIS"](#) (models without VDC) or [BRC-101, "TROUBLE DIAGNOSIS"](#) (models with VDC).

OK or NG

- OK >> GO TO 2.  
NG >> Repair or replace.

### 2. CHECK DTC WITH UNIFIED METER AND A/C AMP.

---

Refer to [DI-4, "COMBINATION METERS"](#) .

>> INSPECTION END

# DTC P0506 ISC SYSTEM

## DTC P0506 ISC SYSTEM

PFP:23781

### Description

ABS00100

#### NOTE:

If DTC P0506 is displayed with other DTC, first perform the trouble diagnosis for the other DTC.

The ECM controls the engine idle speed to a specified level through the fine adjustment of the air, which is let into the intake manifold, by operating the electric throttle control actuator. The operating of the throttle valve is varied to allow for optimum control of the engine idling speed. The crankshaft position sensor (POS) detects the actual engine speed and sends a signal to the ECM.

The ECM controls the electric throttle control actuator so that the engine speed coincides with the target value memorized in the ECM. The target engine speed is the lowest speed at which the engine can operate steadily. The optimum value stored in the ECM is determined by taking into consideration various engine conditions, such as during warming up, deceleration, and engine load (air conditioner, power steering and cooling fan operation, etc.).

### On Board Diagnosis Logic

ABS0010P

DTC No.	Trouble diagnosis name	DTC detecting condition	Possible cause
P0506 0506	Idle speed control system RPM lower than expected	The idle speed is less than the target idle speed by 100 rpm or more.	<ul style="list-style-type: none"><li>● Electric throttle control actuator</li><li>● Intake air leak</li></ul>

### DTC Confirmation Procedure

ABS0010Q

#### NOTE:

- If “DTC Confirmation Procedure” has been previously conducted, always turn ignition switch “OFF” and wait at least 10 seconds before conducting the next test.
- If the target idle speed is out of the specified value, perform “Idle Air Volume Learning”, [EC-51](#), before conducting “DTC Confirmation Procedure”. For the target idle speed, refer to the “Service Data and Specifications (SDS)”, [EC-650](#).

#### TESTING CONDITION:

- Before performing the following procedure, confirm that battery voltage is more than 11V at idle.
- Always perform the test at a temperature above  $-10^{\circ}\text{C}$  ( $14^{\circ}\text{F}$ ).

#### WITH CONSULT-II

1. Open engine hood.
2. Start engine and warm it up to normal operating temperature.
3. Turn ignition switch “OFF” and wait at least 10 seconds.
4. Turn ignition switch “ON” again and select “DATA MONITOR” mode with CONSULT-II.
5. Start engine and run it for at least 1 minute at idle speed.
6. If 1st trip DTC is detected, go to [EC-396, "Diagnostic Procedure"](#)

DATA MONITOR	
MONITOR	NO DTC
ENG SPEED	XXX rpm
COOLAN TEMP/S	XXX °C

SEP174Y

#### WITH GST

Follow the procedure “WITH CONSULT-II” above.

---

## Diagnostic Procedure

ABS0010R

### 1. CHECK INTAKE AIR LEAK

---

1. Start engine and let it idle.
2. Listen for an intake air leak after the mass air flow sensor.

OK or NG

- OK >> GO TO 2.
- NG >> Discover air leak location and repair.

### 2. REPLACE ECM

---

1. Stop engine.
2. Replace ECM.
3. Perform initialization of NATS system and registration of all NATS ignition key IDs. Refer to [BL-123, "ECM Re-communicating Function"](#) .
4. Perform [EC-50, "Accelerator Pedal Released Position Learning"](#) .
5. Perform [EC-51, "Throttle Valve Closed Position Learning"](#) .
6. Perform [EC-51, "Idle Air Volume Learning"](#) .

>> INSPECTION END

# DTC P0507 ISC SYSTEM

## DTC P0507 ISC SYSTEM

PFP:23781

### Description

ABS0010S

#### NOTE:

If DTC P0507 is displayed with other DTC, first perform the trouble diagnosis for the other DTC.

The ECM controls the engine idle speed to a specified level through the fine adjustment of the air, which is let into the intake manifold, by operating the electric throttle control actuator. The operating of the throttle valve is varied to allow for optimum control of the engine idling speed. The crankshaft position sensor (POS) detects the actual engine speed and sends a signal to the ECM.

The ECM controls the electric throttle control actuator so that the engine speed coincides with the target value memorized in the ECM. The target engine speed is the lowest speed at which the engine can operate steadily. The optimum value stored in the ECM is determined by taking into consideration various engine conditions, such as during warming up, deceleration, and engine load (air conditioner, power steering and cooling fan operation, etc.).

### On Board Diagnosis Logic

ABS0010T

DTC No.	Trouble diagnosis name	DTC detecting condition	Possible cause
P0507 0507	Idle speed control system RPM higher than expected	The idle speed is more than the target idle speed by 200 rpm or more.	<ul style="list-style-type: none"><li>● Electric throttle control actuator</li><li>● Intake air leak</li><li>● PCV system</li></ul>

### DTC Confirmation Procedure

ABS0010U

#### NOTE:

- If "DTC Confirmation Procedure" has been previously conducted, always turn ignition switch "OFF" and wait at least 10 seconds before conducting the next test.
- If the target idle speed is out of the specified value, perform "Idle Air Volume Learning", [EC-51](#), before conducting "DTC Confirmation Procedure". For the target idle speed, refer to the "Service Data and Specifications (SDS)", [EC-650](#).

#### TESTING CONDITION:

- Before performing the following procedure, confirm that battery voltage is more than 11V at idle.
- Always perform the test at a temperature above  $-10^{\circ}\text{C}$  ( $14^{\circ}\text{F}$ ).

#### WITH CONSULT-II

1. Open engine hood.
2. Start engine and warm it up to normal operating temperature.
3. Turn ignition switch "OFF" and wait at least 10 seconds.
4. Turn ignition switch "ON" again and select "DATA MONITOR" mode with CONSULT-II.
5. Start engine and run it for at least 1 minute at idle speed.
6. If 1st trip DTC is detected, go to [EC-398, "Diagnostic Procedure"](#).

DATA MONITOR	
MONITOR	NO DTC
ENG SPEED	XXX rpm
COOLAN TEMP/S	XXX °C

SEP174Y

#### WITH GST

Follow the procedure "WITH CONSULT-II" above.

---

## Diagnostic Procedure

ABS0010V

### 1. CHECK PCV HOSE CONNECTION

---

Confirm that PCV hose is connected correctly.

OK or NG

OK >> GO TO 2.

NG >> Repair or replace.

### 2. CHECK INTAKE AIR LEAK

---

1. Start engine and let it idle.
2. Listen for an intake air leak after the mass air flow sensor.

OK or NG

OK >> GO TO 3.

NG >> Discover air leak location and repair.

### 3. REPLACE ECM

---

1. Stop engine.
2. Replace ECM.
3. Perform initialization of NATS system and registration of all NATS ignition key IDs. Refer to [BL-123, "ECM Re-communicating Function"](#) .
4. Perform [EC-50, "Accelerator Pedal Released Position Learning"](#) .
5. Perform [EC-51, "Throttle Valve Closed Position Learning"](#) .
6. Perform [EC-51, "Idle Air Volume Learning"](#) .

>> INSPECTION END

# DTC P0550 PSP SENSOR

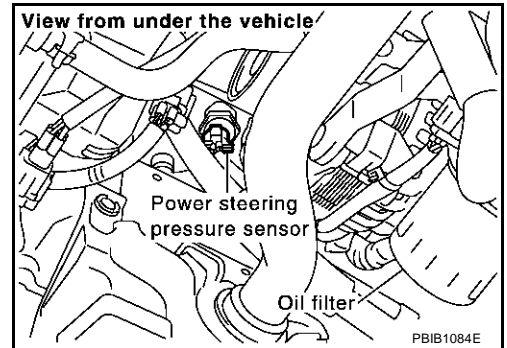
## DTC P0550 PSP SENSOR

PF:49763

### Component Description

ABS0010W

Power steering pressure (PSP) sensor is installed to the power steering high-pressure tube and detects a power steering load. This sensor is a potentiometer which transforms the power steering load into output voltage, and emits the voltage signal to the ECM. The ECM controls the electric throttle control actuator and adjusts the throttle valve opening angle to increase the engine speed and adjusts the idle speed for the increased load.



### CONSULT-II Reference Value in Data Monitor Mode

ABS0010X

Specification data are reference values.

MONITOR ITEM	CONDITION	SPECIFICATION
PW/ST SIGNAL	● Engine: After warming up, idle the engine	Steering wheel is in neutral position. (Forward direction) OFF
		Steering wheel is turned. ON

### On Board Diagnosis Logic

ABS0010Y

The MIL will not light up for this diagnosis.

#### NOTE:

If DTC P0550 is displayed with DTC P1229, first perform the trouble diagnosis for DTC P1229.

Refer to [EC-492](#).

DTC No.	Trouble diagnosis name	DTC detecting condition	Possible cause
P0550 0550	Power steering pressure sensor circuit	An excessively low or high voltage from the sensor is sent to ECM.	<ul style="list-style-type: none"> <li>● Harness or connectors (The sensor circuit is open or shorted)</li> <li>● Power steering pressure sensor</li> </ul>

### DTC Confirmation Procedure

ABS0010Z

#### NOTE:

If "DTC Confirmation Procedure" has been previously conducted, always turn ignition switch "OFF" and wait at least 10 seconds before conducting the next test.

#### Ⓛ WITH CONSULT-II

1. Turn ignition switch "ON".
2. Select "DATA MONITOR" mode with CONSULT-II.
3. Start engine and let it idle for at least 5 seconds.
4. If 1st trip DTC is detected, go to [EC-401, "Diagnostic Procedure"](#).

#### Ⓛ WITH GST

Follow the procedure "WITH CONSULT-II" above.

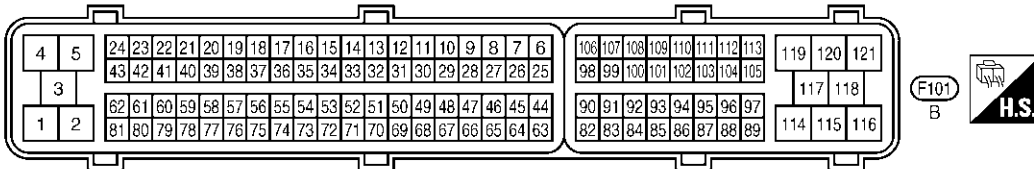
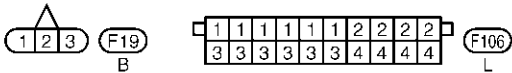
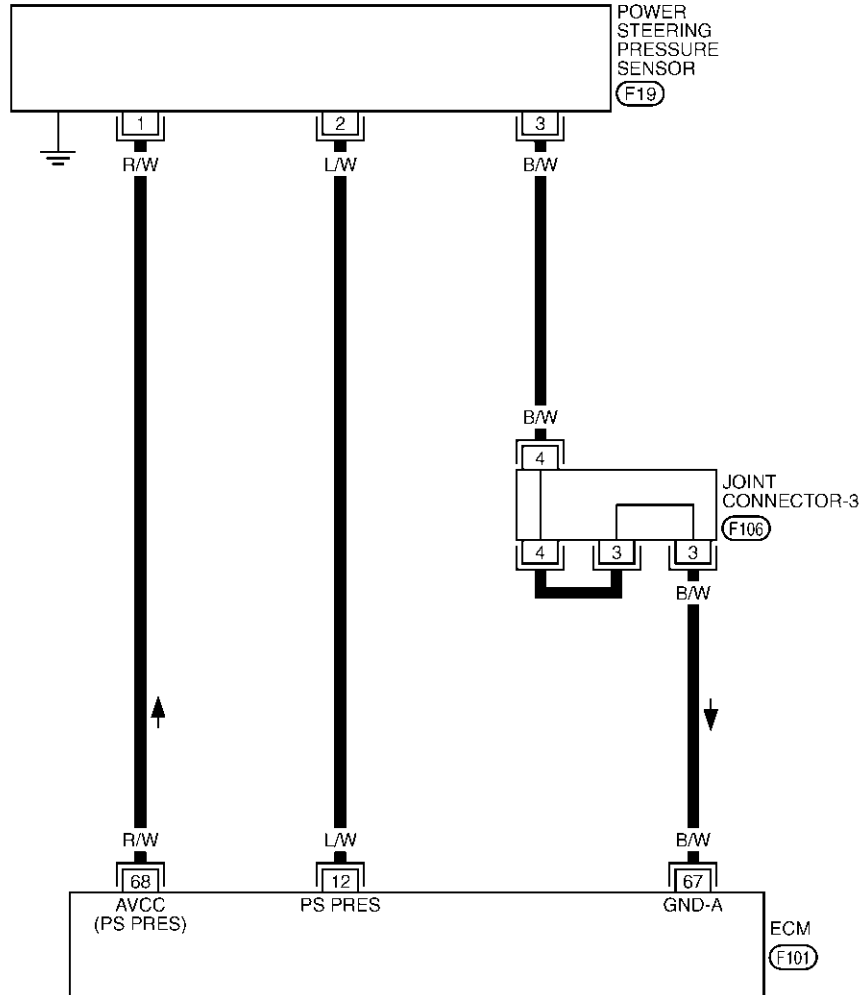
# DTC P0550 PSP SENSOR

ABS00110

## Wiring Diagram

### EC-PS/SEN-01

: DETECTABLE LINE FOR DTC  
 : NON-DETECTABLE LINE FOR DTC



TBWT0223E



# DTC P0550 PSP SENSOR

Specification data are reference values and are measured between each terminal and ground.

**CAUTION:**

Do not use ECM ground terminals when measuring input/output voltage. Doing so may result in damage to the ECM's transistor. Use a ground other than ECM terminals, such as the ground.

TER-MINAL NO.	WIRE COLOR	ITEM	CONDITION	DATA (DC Voltage)
12	L/W	Power steering pressure sensor	[Engine is running] ● Steering wheel is being turned.	0.5 - 4.5V
			[Engine is running] ● Steering wheel is not being turned.	0.4 - 0.8V
67	B/W	Sensors' ground (Mass air flow sensor / IAT sensor / Power steering pressure sensor)	[Engine is running] ● Warm-up condition ● Idle speed	Approximately 0V
68	R/W	Sensors' power supply (Power steering pressure sensor / EVAP control system pressure sensor)	[Ignition switch "ON"]	Approximately 5V

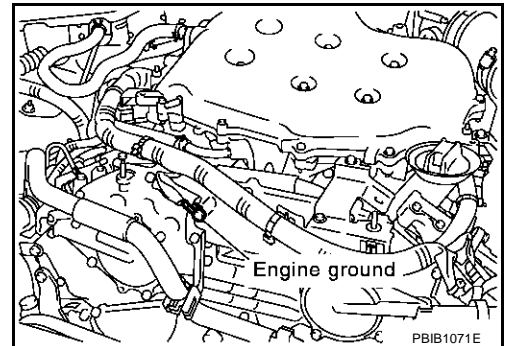
## Diagnostic Procedure

ABS00111

### 1. RETIGHTEN GROUND SCREWS

1. Turn ignition switch "OFF".
2. Loosen and retighten engine ground screws.

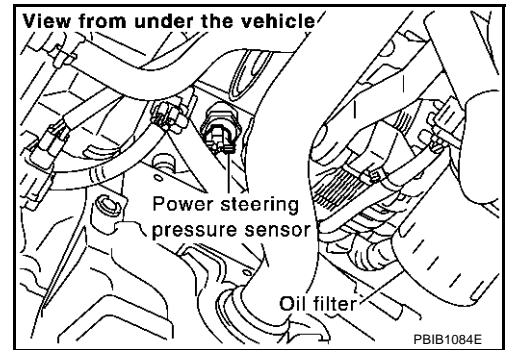
>> GO TO 2.



# DTC P0550 PSP SENSOR

## 2. CHECK PSP SENSOR POWER SUPPLY CIRCUIT

1. Disconnect PSP sensor harness connector.
2. Turn ignition switch "ON".



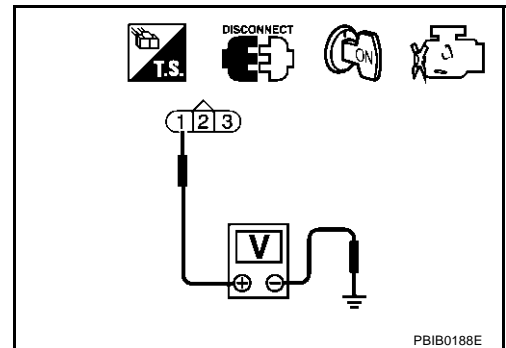
3. Check voltage between PSP sensor terminal 1 and ground with CONSULT-II or tester.

**Voltage: Approximately 5V**

OK or NG

OK >> GO TO 3.

NG >> Repair open circuit or short to ground or short to power in harness or connectors.



## 3. CHECK PSP SENSOR GROUND CIRCUIT FOR OPEN AND SHORT

1. Turn ignition switch "OFF".
2. Check harness continuity between PSP sensor terminal 3 and engine ground. Refer to Wiring Diagram.

**Continuity should exist.**

3. Also check harness for short to power.

OK or NG

OK >> GO TO 5.

NG >> GO TO 4.

## 4. DETECT MALFUNCTIONING PART

Check the following.

- Joint connector-3
- Harness for open or short between power steering pressure sensor and ECM

>> Repair open circuit or short to power in harness or connectors.

## 5. CHECK PSP SENSOR INPUT SIGNAL CIRCUIT FOR OPEN AND SHORT

1. Disconnect ECM harness connector.
2. Check harness continuity between ECM terminal 12 and PSP sensor terminal 2.

**Continuity should exist.**

3. Also check harness for short to ground and short to power.

OK or NG

OK >> GO TO 6.

NG >> Repair open circuit or short to ground or short to power in harness or connectors.

# DTC P0550 PSP SENSOR

## 6. CHECK PSP SENSOR

Refer to [EC-403, "Component Inspection"](#) .

OK or NG

- OK >> GO TO 7.
- NG >> Replace PSP sensor.

## 7. CHECK INTERMITTENT INCIDENT

Refer to [EC-137, "TROUBLE DIAGNOSIS FOR INTERMITTENT INCIDENT"](#) .

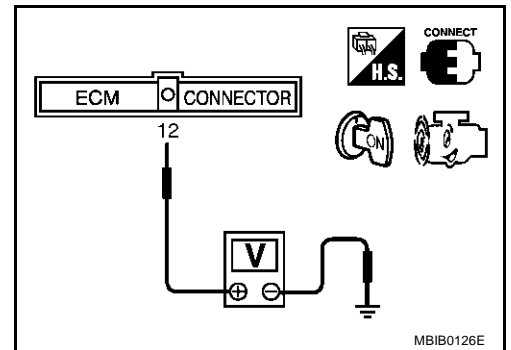
>> INSPECTION END

### Component Inspection POWER STEERING PRESSURE SENSOR

ABS00112

1. Reconnect all harness connectors disconnected.
2. Start engine and let it idle.
3. Check voltage between ECM terminal 12 and ground under the following conditions.

Condition	Voltage
Steering wheel is being turned.	0.5 - 4.5V
Steering wheel is not being turned.	0.4 - 0.8V



# DTC P0605 ECM

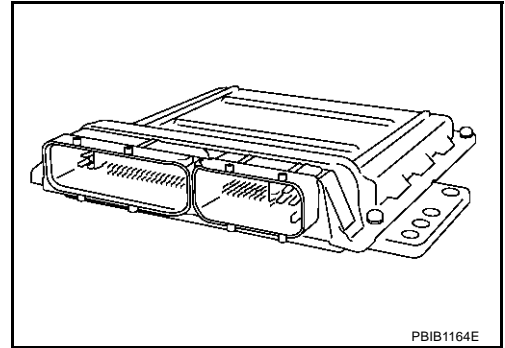
## DTC P0605 ECM

PFP:23710

### Component Description

ABS00113

The ECM consists of a microcomputer and connectors for signal input and output and for power supply. The ECM controls the engine.



### On Board Diagnosis Logic

ABS00114

This self-diagnosis has one or two trip detection logic.

DTC No.	Trouble diagnosis name	DTC detecting condition		Possible cause
P0605 0605	Engine control module	A)	ECM calculation function is malfunctioning.	● ECM
		B)	ECM EEPROM system is malfunctioning.	
		C)	ECM self shut-off function is malfunctioning.	

### FAIL-SAFE MODE

ECM enters fail-safe mode when the malfunction A is detected.

Detected items	Engine operation condition in fail-safe mode
Malfunction A	<ul style="list-style-type: none"> <li>● ECM stops the electric throttle control actuator control, throttle valve is maintained at a fixed opening (approx. 5 degrees) by the return spring.</li> <li>● ECM deactivates ASCD operation.</li> </ul>

### DTC Confirmation Procedure

ABS00115

Perform "PROCEDURE FOR MALFUNCTION A" first. If the 1st trip DTC cannot be confirmed, perform "PROCEDURE FOR MALFUNCTION B". If there is no malfunction on "PROCEDURE FOR MALFUNCTION B", perform "PROCEDURE FOR MALFUNCTION C".

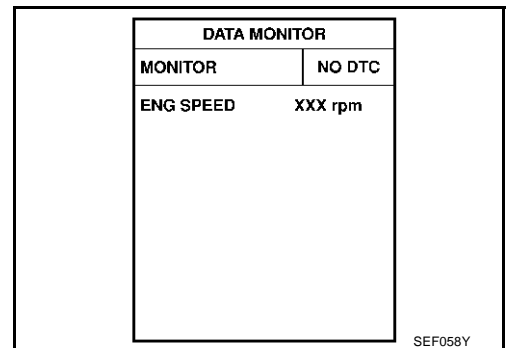
#### NOTE:

If "DTC Confirmation Procedure" has been previously conducted, always turn ignition switch "OFF" and wait at least 10 seconds before conducting the next test.

#### PROCEDURE FOR MALFUNCTION A

##### Ⓟ With CONSULT-II

1. Turn ignition switch "ON".
2. Select "DATA MONITOR" mode with CONSULT-II.
3. If 1st trip DTC is detected, go to [EC-405, "Diagnostic Procedure"](#).



##### Ⓟ With GST

Follow the procedure "With CONSULT-II" above.

## PROCEDURE FOR MALFUNCTION B

### With CONSULT-II

1. Turn ignition switch "ON" and wait at least 1 second.
2. Select "DATA MONITOR" mode with CONSULT-II.
3. Turn ignition switch "OFF", wait at least 10 seconds, and then turn "ON".
4. If 1st trip DTC is detected, go to [EC-405, "Diagnostic Procedure"](#)

DATA MONITOR	
MONITOR	NO DTC
ENG SPEED	XXX rpm

SEF058Y

### With GST

Follow the procedure "With CONSULT-II" above.

## PROCEDURE FOR MALFUNCTION C

### With CONSULT-II

1. Turn ignition switch "ON" and wait at least 1 second.
2. Select "DATA MONITOR" mode with CONSULT-II.
3. Turn ignition switch "OFF", wait at least 10 seconds, and then turn "ON".
4. Repeat step 3 procedure, 32 times.
5. If 1st trip DTC is detected, go to [EC-405, "Diagnostic Procedure"](#)

DATA MONITOR	
MONITOR	NO DTC
ENG SPEED	XXX rpm

SEF058Y

### With GST

Follow the procedure "With CONSULT-II" above.

## Diagnostic Procedure

ABS00116

### 1. INSPECTION START

#### With CONSULT-II

1. Turn ignition switch "ON".
2. Select "SELF DIAG RESULTS" mode with CONSULT-II.
3. Touch "ERASE".
4. **Perform "DTC Confirmation Procedure".**  
See [EC-404](#).
5. Is the 1st trip DTC P0605 displayed again?

#### With GST

1. Turn ignition switch "ON".
2. Select MODE 4 with GST.
3. Touch "ERASE".
4. **Perform "DTC Confirmation Procedure".**  
See [EC-404](#).
5. Is the 1st trip DTC P0605 displayed again?

Yes or No

Yes >> GO TO 2.

No >> **INSPECTION END**

## DTC P0605 ECM

---

### 2. REPLACE ECM

---

1. Replace ECM.
2. Perform initialization of NATS system and registration of all NATS ignition key IDs. Refer to [BL-123, "ECM Re-communicating Function"](#) .
3. Perform [EC-50, "Accelerator Pedal Released Position Learning"](#) .
4. Perform [EC-51, "Throttle Valve Closed Position Learning"](#) .
5. Perform [EC-51, "Idle Air Volume Learning"](#) .

>> INSPECTION END

# DTC P1065 ECM POWER SUPPLY

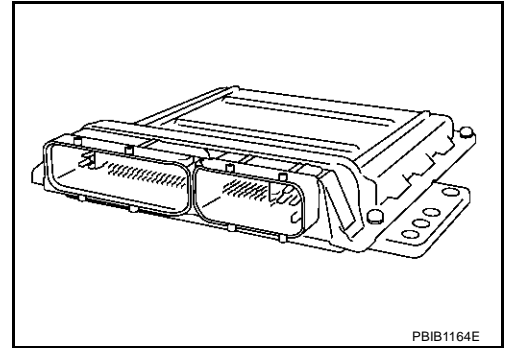
## DTC P1065 ECM POWER SUPPLY

PF2:23710

### Component Description

ABS0011C

Battery voltage is supplied to the ECM even when the ignition switch is turned OFF for the ECM memory function of the DTC memory, the air-fuel ratio feedback compensation value memory, the idle air volume learning value memory, etc.



PBIB1164E

### On Board Diagnosis Logic

ABS0011D

DTC No.	Trouble diagnosis name	DTC detecting condition	Possible cause
P1065 1065	ECM power supply circuit	ECM back-up RAM system does not function properly.	<ul style="list-style-type: none"><li>● Harness or connectors [ECM power supply (back-up) circuit is open or shorted.]</li><li>● ECM</li></ul>

### DTC Confirmation Procedure

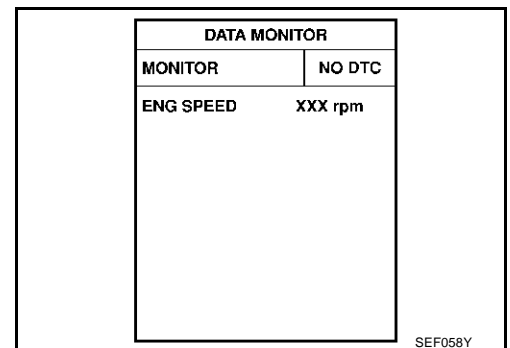
ABS0011E

#### NOTE:

If "DTC Confirmation Procedure" has been previously conducted, always turn ignition switch "OFF" and wait at least 10 seconds before conducting the next test.

#### WITH CONSULT-II

1. Turn ignition switch "ON" and wait at least 1 second.
2. Select "DATA MONITOR" mode with CONSULT-II.
3. Start engine and let it idle for 1 second.
4. Turn ignition switch "OFF", wait at least 10 seconds, and then turn "ON".
5. Repeat steps 3 and 4 four times.
6. If 1st trip DTC is detected, go to [EC-409, "Diagnostic Procedure"](#)



#### WITH GST



Follow the procedure "WITH CONSULT-II" above.

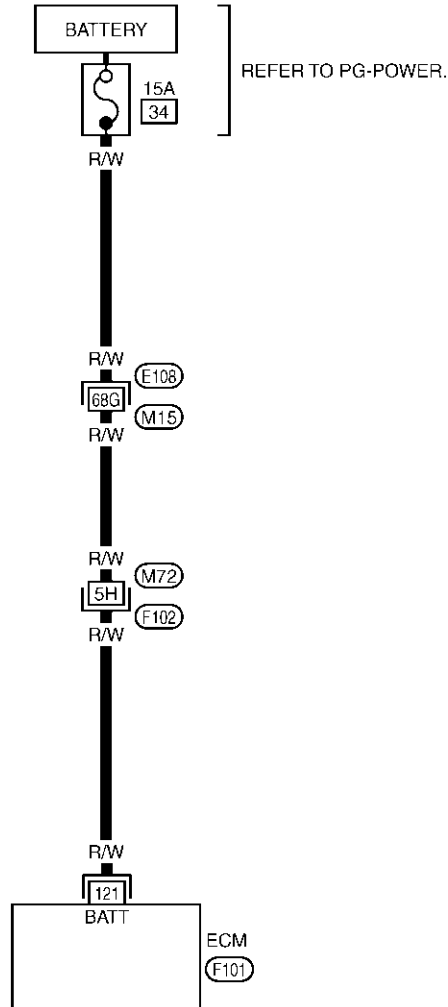
# DTC P1065 ECM POWER SUPPLY

## Wiring Diagram

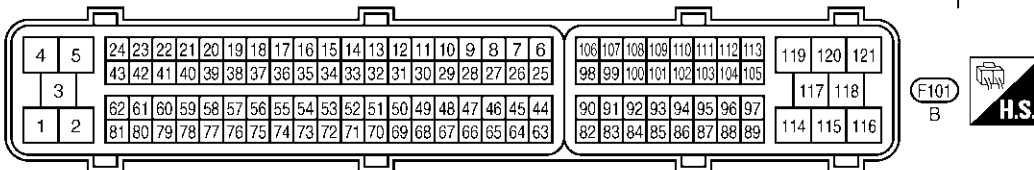
ABS0011F

### EC-ECM/PW-01

 : DETECTABLE LINE FOR DTC  
 : NON-DETECTABLE LINE FOR DTC



REFER TO THE FOLLOWING.  
 (E108), (F102) -SUPER MULTIPLE JUNCTION (SMJ)



TBWT0225E



# DTC P1065 ECM POWER SUPPLY

Specification data are reference values and are measured between each terminal and ground.

## CAUTION:

Do not use ECM ground terminals when measuring input/output voltage. Doing so may result in damage to the ECM's transistor. Use a ground other than ECM terminals, such as the ground.

TER-MINAL NO.	WIRE COLOR	ITEM	CONDITION	DATA (DC Voltage)
121	R/W	Power supply for ECM (Back-up)	[Ignition switch "OFF"]	BATTERY VOLTAGE (11 - 14V)

## Diagnostic Procedure

ABS0011G

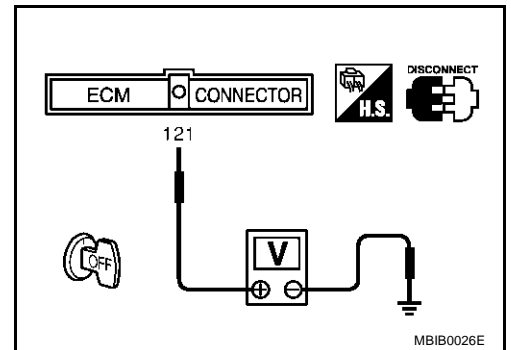
### 1. CHECK ECM POWER SUPPLY

1. Turn ignition switch "OFF".
2. Disconnect ECM harness connector.
3. Check voltage between ECM terminal 121 and ground with CONSULT-II or tester.

**Voltage: Battery voltage**

OK or NG

- OK >> GO TO 3.
- NG >> GO TO 2.



### 2. DETECT MALFUNCTIONING PART

Check the following.

- Harness connectors E108, M15
- Harness connectors M72, F102
- 15A fuse
- Harness for open or short between ECM and battery

>> Repair or replace harness or connectors.

### 3. CHECK INTERMITTENT INCIDENT

Refer to [EC-137, "TROUBLE DIAGNOSIS FOR INTERMITTENT INCIDENT"](#) .

OK or NG

- OK >> GO TO 4.
- NG >> Repair or replace harness or connectors.

# DTC P1065 ECM POWER SUPPLY

---

## 4. PERFORM DTC CONFIRMATION PROCEDURE

---

### With CONSULT-II

1. Turn ignition switch "ON".
2. Select "SELF DIAG RESULTS" mode with CONSULT-II.
3. Touch "ERASE".
4. **Perform "DTC Confirmation Procedure"**.  
See [EC-407](#) .
5. Is the 1st trip DTC P1065 displayed again?

### With GST

1. Turn ignition switch "ON".
2. Select MODE 4 with GST.
3. Touch "ERASE".
4. **Perform "DTC Confirmation Procedure"**.  
See [EC-407](#) .
5. Is the 1st trip DTC P1065 displayed again?

Yes or No

Yes >> GO TO 5.

No >> **INSPECTION END**

---

## 5. REPLACE ECM

---

1. Replace ECM.
2. Perform initialization of NATS system and registration of all NATS ignition key IDs. Refer to [BL-123, "ECM Re-communicating Function"](#) .
3. Perform [EC-50, "Accelerator Pedal Released Position Learning"](#) .
4. Perform [EC-51, "Throttle Valve Closed Position Learning"](#) .
5. Perform [EC-51, "Idle Air Volume Learning"](#) .

>> **INSPECTION END**

# DTC P1111, P1136 IVT CONTROL SOLENOID VALVE

## DTC P1111, P1136 IVT CONTROL SOLENOID VALVE

PFP:23796

### Component Description

ABS0031N

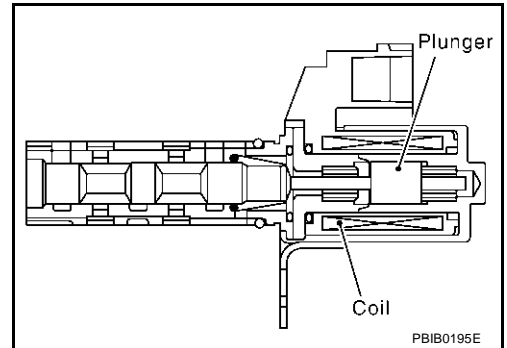
Intake valve timing control solenoid valve is activated by ON/OFF pulse duty (ratio) signals from the ECM.

The intake valve timing control solenoid valve changes the oil amount and direction of flow through intake valve timing control unit or stops oil flow.

The longer pulse width advances valve angle.

The shorter pulse width retards valve angle.

When ON and OFF pulse widths become equal, the solenoid valve stops oil pressure flow to fix the intake valve angle at the control position.



### CONSULT-II Reference Value in Data Monitor Mode

ABS0031O

Specification data are reference values.

MONITOR ITEM	CONDITION		SPECIFICATION
INT/V SOL (B1) INT/V SOL (B2)	● Engine: After warming up	Idle	0% - 2%
	● Shift lever: N (A/T), Neutral (M/T)	When revving engine up to 2,000 rpm quickly	Approx. 0% - 50%
	● Air conditioner switch: OFF		
	● No-load		

### On Board Diagnosis Logic

ABS0031P

DTC No.	Trouble diagnosis name	DTC detecting condition	Possible cause
P1111 1111 (Bank 1)	Intake valve timing control solenoid valve circuit	An improper voltage is sent to the ECM through intake valve timing control solenoid valve.	<ul style="list-style-type: none"> <li>● Harness or connectors (Intake valve timing control solenoid valve circuit is open or shorted.)</li> <li>● Intake valve timing control solenoid valve</li> </ul>
P1136 1136 (Bank 2)			

### DTC Confirmation Procedure

ABS0031Q

#### NOTE:

If "DTC Confirmation Procedure" has been previously conducted, always turn ignition switch "OFF" and wait at least 10 seconds before conducting the next test.

#### WITH CONSULT-II

1. Turn ignition switch "ON".
2. Select "DATA MONITOR" mode with CONSULT-II.
3. Start engine and let it idle for 5 seconds.
4. If 1st trip DTC is detected, go to [EC-415, "Diagnostic Procedure"](#)

DATA MONITOR	
MONITOR	NO DTC
ENG SPEED	XXX rpm

SEF058Y

#### WITH GST

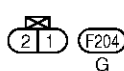
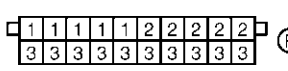
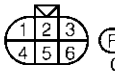
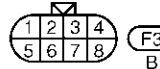
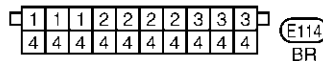
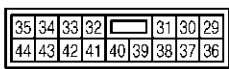
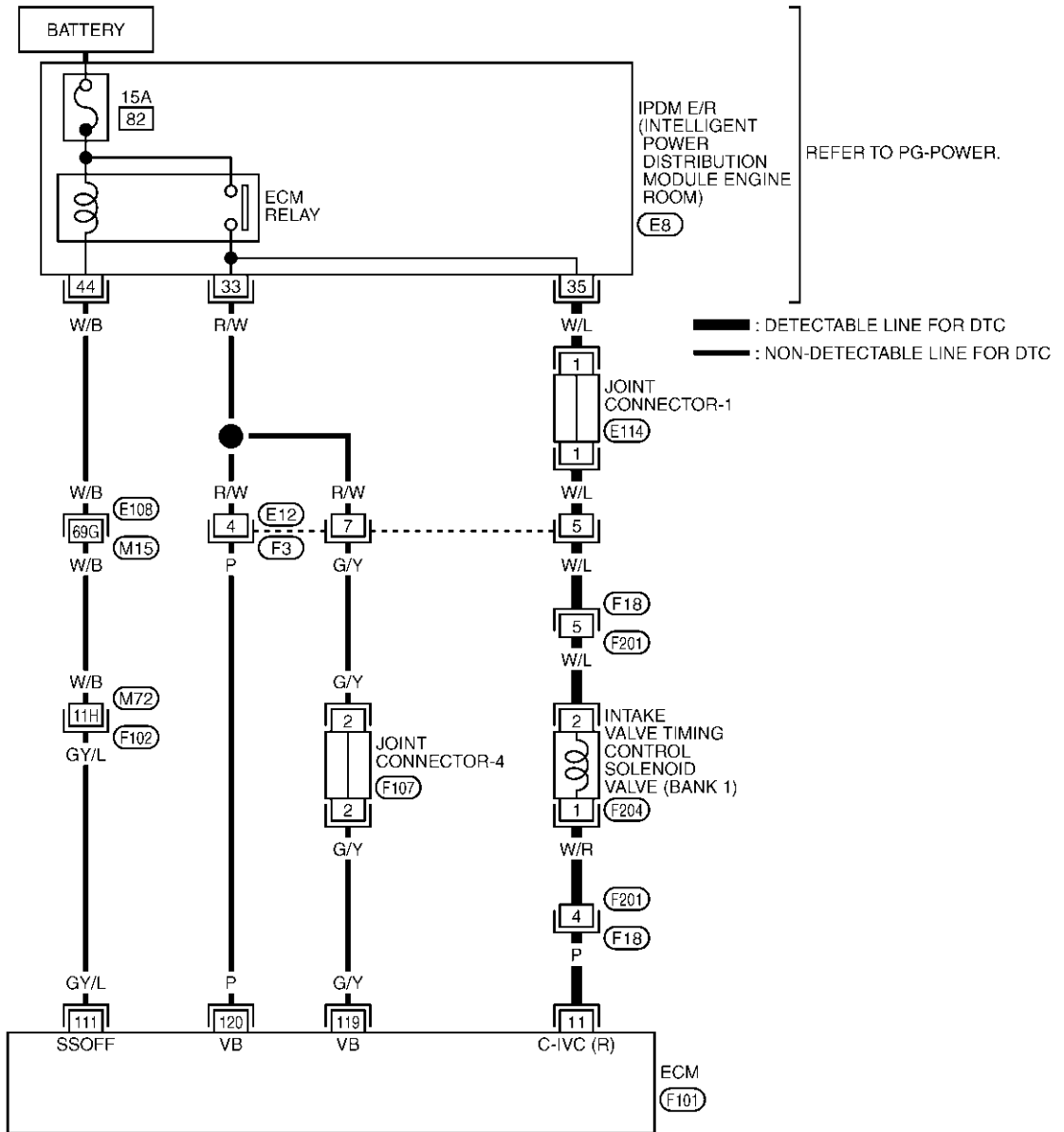
Following the procedure "WITH CONSULT-II" above.

# DTC P1111, P1136 IVT CONTROL SOLENOID VALVE

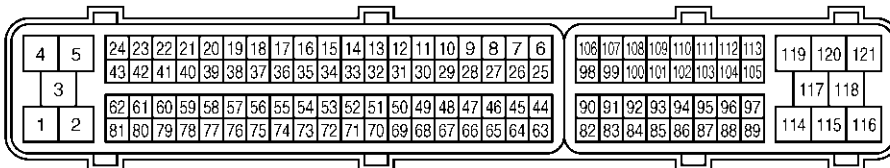
ABS0031R

## Wiring Diagram BANK 1

EC-IVCB1-01



REFER TO THE FOLLOWING.  
 (E108), (F102) -SUPER MULTIPLE JUNCTION (SMJ)



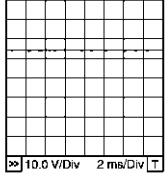
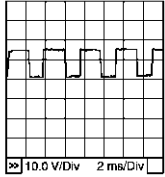
TBWT0194E

# DTC P1111, P1136 IVT CONTROL SOLENOID VALVE

Specification data are reference values and are measured between each terminal and ground.

**CAUTION:**

**Do not use ECM ground terminals when measuring input/output voltage. Doing so may result in damage to the ECM's transistor. Use a ground other than ECM terminals, such as the ground.**

TER-MINAL NO.	WIRE COLOR	ITEM	CONDITION	DATA (DC Voltage)
11	P	Intake valve timing control solenoid valve (bank 1)	<p><b>[Engine is running]</b></p> <ul style="list-style-type: none"> <li>● Warm-up condition</li> <li>● Idle speed</li> </ul>	<p>BATTERY VOLTAGE (11 - 14V)<sup>★</sup></p> 
			<p><b>[Engine is running]</b></p> <ul style="list-style-type: none"> <li>● Warm-up condition</li> <li>● When revving engine up to 2,500 rpm quickly</li> </ul>	<p>7 - 12V<sup>★</sup></p> 

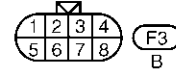
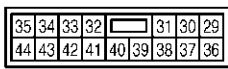
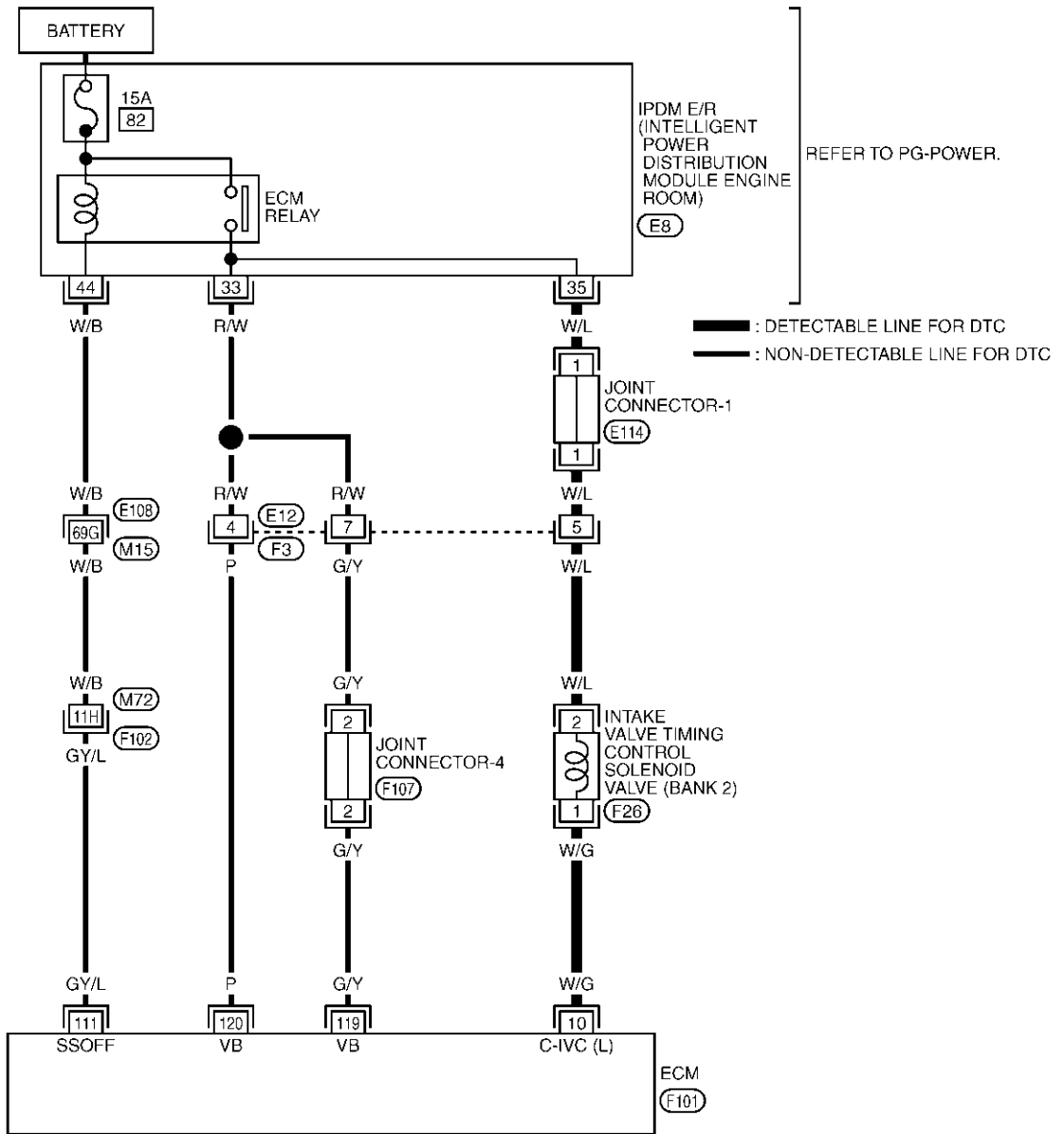
★: Average voltage for pulse signal (Actual pulse signal can be confirmed by oscilloscope.)

A  
EC  
C  
D  
E  
F  
G  
H  
I  
J  
K  
L  
M

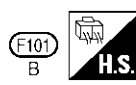
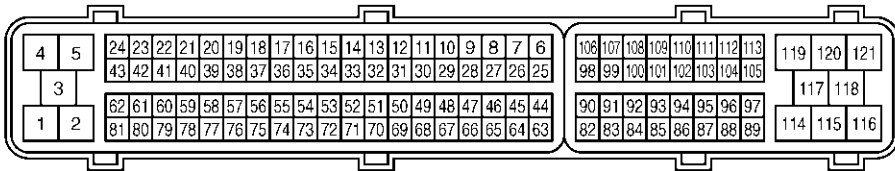
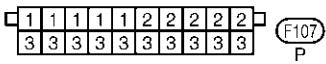
# DTC P1111, P1136 IVT CONTROL SOLENOID VALVE

**BANK 2**

**EC-IVCB2-01**



REFER TO THE FOLLOWING.  
 (E108), (F102) -SUPER MULTIPLE JUNCTION (SMJ)

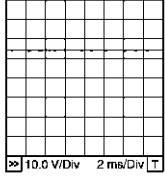
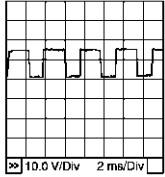


# DTC P1111, P1136 IVT CONTROL SOLENOID VALVE

Specification data are reference values and are measured between each terminal and ground.

**CAUTION:**

Do not use ECM ground terminals when measuring input/output voltage. Doing so may result in damage to the ECM's transistor. Use a ground other than ECM terminals, such as the ground.

TER-MINAL NO.	WIRE COLOR	ITEM	CONDITION	DATA (DC Voltage)
10	W/G	Intake valve timing control solenoid valve (bank 2)	<p>[Engine is running]</p> <ul style="list-style-type: none"> <li>● Warm-up condition</li> <li>● Idle speed</li> </ul>	<p>BATTERY VOLTAGE (11 - 14V)<sup>★</sup></p>  <p>PBIB1037E</p>
			<p>[Engine is running]</p> <ul style="list-style-type: none"> <li>● Warm-up condition</li> <li>● When revving engine up to 2,500 rpm quickly</li> </ul>	<p>7 - 12V<sup>★</sup></p>  <p>PBIB1038E</p>

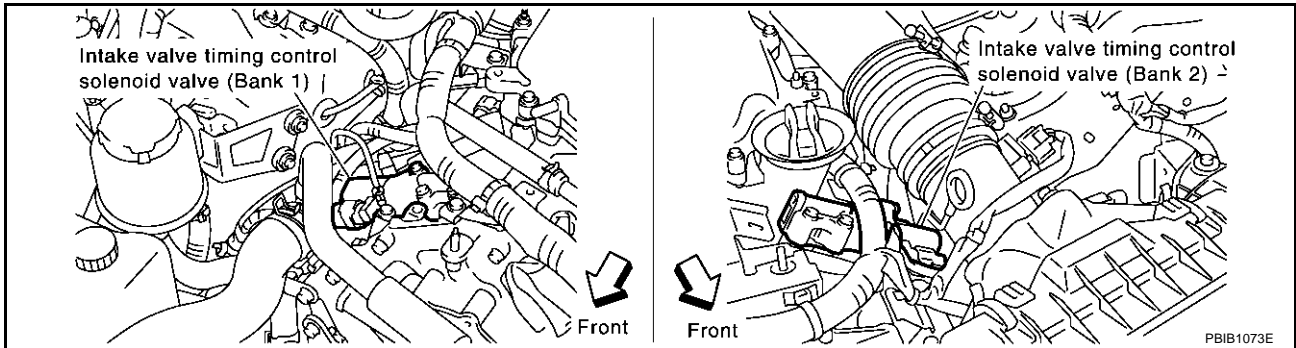
★: Average voltage for pulse signal (Actual pulse signal can be confirmed by oscilloscope.)

## Diagnostic Procedure

ABS0031S

### 1. CHECK INTAKE VALVE TIMING CONTROL SOLENOID VALVE POWER SUPPLY CIRCUIT

1. Turn ignition switch "OFF".
2. Disconnect intake valve timing control solenoid valve harness connector.

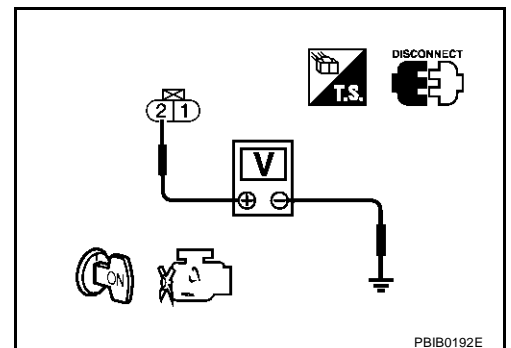


3. Turn ignition switch "ON".
4. Check voltage between intake valve timing control solenoid valve terminal 2 and ground with CONSULT-II or tester.

**Voltage: Battery voltage**

OK or NG

- OK >> GO TO 3.
- NG >> GO TO 2.



# DTC P1111, P1136 IVT CONTROL SOLENOID VALVE

---

## 2. DETECT MALFUNCTIONING PART

---

Check the following.

- Harness connectors E12, F3
- Harness connectors F18, F201
- Joint connector-1
- IPDM E/R harness connector E8
- Harness for open or short between intake valve timing control solenoid valve and IPDM E/R

>> Repair harness or connectors.

---

## 3. CHECK INTAKE VALVE TIMING CONTROL SOLENOID VALVE OUTPUT SIGNAL CIRCUIT FOR OPEN AND SHORT

---

1. Turn ignition switch "OFF".
2. Disconnect ECM harness connector.
3. Check harness continuity between ECM terminal 11 (bank 1) or 10 (bank 2) and intake valve timing control solenoid valve terminal 1. Refer to Wiring Diagram.

**Continuity should exist.**

4. Also check harness for short to ground and short to power.

OK or NG

- OK >> GO TO 5.
- NG >> GO TO 4.

---

## 4. DETECT MALFUNCTIONING PART

---

Check the following.

- Harness connectors F18, F201
- Harness for open and short between ECM and intake valve timing control solenoid valve

>> Repair open circuit or short to ground or short to power in harness or connectors.

---

## 5. CHECK INTAKE VALVE TIMING CONTROL SOLENOID VALVE

---

Refer to [EC-417, "Component Inspection"](#) .

OK or NG

- OK >> GO TO 6.
- NG >> Replace intake valve timing control solenoid valve.

---

## 6. CHECK INTERMITTENT INCIDENT

---

Refer to [EC-137, "TROUBLE DIAGNOSIS FOR INTERMITTENT INCIDENT"](#) .

For wiring diagram, refer to [EC-305](#) for CKP sensor (POS), [EC-311](#) and [EC-313](#) for CMP sensor (PHASE).

>> **INSPECTION END**



# DTC P1111, P1136 IVT CONTROL SOLENOID VALVE

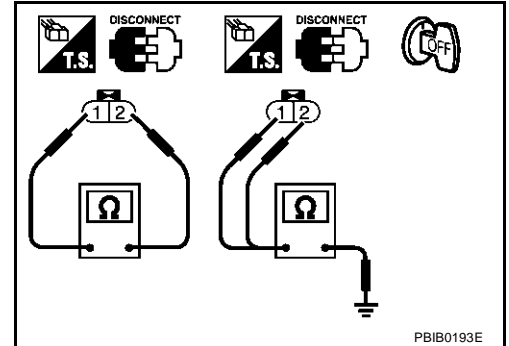
## Component Inspection

### INTAKE VALVE TIMING CONTROL SOLENOID VALVE

ABS0031T

1. Disconnect intake valve timing control solenoid valve harness connector.
2. Check resistance between intake valve timing control solenoid valve terminals as follows.

Terminals	Resistance
1 and 2	7.0 - 7.5Ω at 20°C (68°F)
1 or 2 and ground	$\infty\Omega$ (Continuity should not exist)



## Removal and Installation

### INTAKE VALVE TIMING CONTROL SOLENOID VALVE

Refer to [EM-49, "TIMING CHAIN"](#) .

ABS0031U

A  
EC  
C  
D  
E  
F  
G  
H  
I  
J  
K  
L  
M

# DTC P1121 ELECTRIC THROTTLE CONTROL ACTUATOR

## DTC P1121 ELECTRIC THROTTLE CONTROL ACTUATOR

PF16:16119

### Component Description

ABS0011H

Electric Throttle Control Actuator consists of throttle control motor, throttle position sensor, etc. The throttle control motor is operated by the ECM and it opens and closes the throttle valve. The throttle position sensor detects the throttle valve position, and the opening and closing speed of the throttle valve and feeds the voltage signals to the ECM. The ECM judges the current opening angle of the throttle valve from these signals and the ECM controls the throttle control motor to make the throttle valve opening angle properly in response to driving condition.

### On Board Diagnosis Logic

ABS0011I

These self-diagnoses have the one trip detection logic.

DTC No.	Trouble diagnosis name	DTC detecting condition		Possible cause
P1121 1121	Electric throttle control actuator	A)	Electric throttle control actuator does not function properly due to the return spring malfunction.	● Electric throttle control actuator
		B)	Throttle valve opening angle in fail-safe mode is not in specified range.	
		C)	ECM detects the throttle valve is stuck open.	

### FAIL-SAFE MODE

When the malfunction is detected, ECM enters fail-safe mode and the MIL lights up.

Detected items	Engine operating condition in fail-safe mode
Malfunction A	ECM controls the electric throttle actuator by regulating the throttle opening around the idle position. The engine speed will not rise more than 2,000 rpm.
Malfunction B	ECM controls the electric throttle control actuator by regulating the throttle opening to 20 degrees or less.
Malfunction C	While the vehicle is driving, it slows down gradually by fuel cut. After the vehicle stops, the engine stalls. The engine can restart in N or P position, and engine speed will not exceed 1,000 rpm or more.

### DTC Confirmation Procedure

ABS0011J

#### NOTE:

- Perform "PROCEDURE FOR MALFUNCTION A AND B" first. If the 1st trip DTC cannot be confirmed, perform "PROCEDURE FOR MALFUNCTION C".
- If "DTC Confirmation Procedure" has been previously conducted, always turn ignition switch "OFF" and wait at least 10 seconds before conducting the next test.

#### PROCEDURE FOR MALFUNCTION A AND B

##### With CONSULT-II

1. Turn ignition switch ON and wait at least 1 second.
2. Select "DATA MONITOR" mode with CONSULT-II.
3. Shift selector lever to D position (A/T) or 1st position (M/T), and wait at least 2 seconds.
4. Shift selector lever to P position (A/T) or Neutral position (M/T).
5. Turn ignition switch OFF and wait at least 10 seconds.
6. Turn ignition switch ON and wait at least 1 second.
7. Shift selector lever to D position (A/T) or 1st position (M/T), and wait at least 2 seconds.
8. Shift selector lever to P position (A/T) or Neutral position (M/T).
9. Turn ignition switch OFF, wait at least 10 seconds, and then turn ON.
10. If DTC is detected, go to [EC-419, "Diagnostic Procedure"](#).

DATA MONITOR	
MONITOR	NO DTC
ENG SPEED	XXX rpm

SEF058Y

##### With GST

Follow the procedure "With CONSULT-II" above.

# DTC P1121 ELECTRIC THROTTLE CONTROL ACTUATOR

## PROCEDURE FOR MALFUNCTION C

### ① With CONSULT-II

1. Turn ignition switch "ON" and wait at least 1 second.
2. Select "DATA MONITOR" mode with CONSULT-II.
3. Shift selector lever to "D" position (A/T) or "1st" position (M/T) and wait at least 2 seconds.
4. Shift selector lever to "N", "P" position (A/T) or "Neutral" (M/T) position.
5. Start engine and let it idle for 3 seconds.
6. If DTC is detected, go to [EC-419, "Diagnostic Procedure"](#) .

DATA MONITOR	
MONITOR	NO DTC
ENG SPEED	XXX rpm

SEF058Y

### ② With GST

Follow the procedure "With CONSULT-II" above.

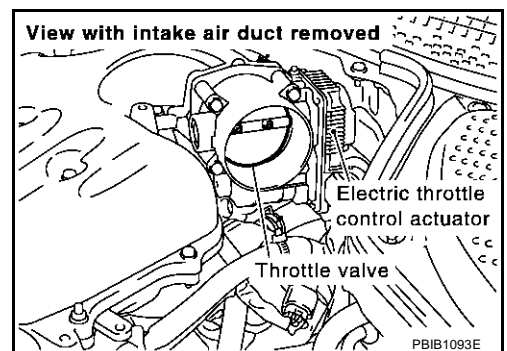
## Diagnostic Procedure

### 1. CHECK ELECTRIC THROTTLE CONTROL ACTUATOR VISUALLY

1. Remove the intake air duct.
2. Check if a foreign matter is caught between the throttle valve and the housing.

#### OK or NG

- OK >> GO TO 2.  
NG >> Remove the foreign matter and clean the electric throttle control actuator inside.



### 2. REPLACE ELECTRIC THROTTLE CONTROL ACTUATOR

1. Replace the electric throttle control actuator.
2. Perform [EC-51, "Throttle Valve Closed Position Learning"](#) .
3. Perform [EC-51, "Idle Air Volume Learning"](#) .

>> INSPECTION END

# DTC P1122 ELECTRIC THROTTLE CONTROL FUNCTION

## DTC P1122 ELECTRIC THROTTLE CONTROL FUNCTION

PFP:16119

### Description

ABS0011L

#### NOTE:

If DTC P1122 is displayed with DTC P1121 or 1126, first perform the trouble diagnosis for DTC P1121 or P1126. Refer to [EC-418](#) or [EC-426](#).

Electric Throttle Control Actuator consists of throttle control motor, throttle position sensor, etc.

The throttle control motor is operated by the ECM and it opens and closes the throttle valve.

The current opening angle of the throttle valve is detected by the throttle position sensor and it provides feedback to the ECM to control the throttle control motor to make the throttle valve opening angle properly in response to driving condition.

### On Board Diagnosis Logic

ABS0011M

This self-diagnosis has the one trip detection logic.

DTC No.	Trouble diagnosis name	DTC detecting condition	Possible cause
P1122 1122	Electric throttle control performance problem	Electric throttle control function does not operate properly.	<ul style="list-style-type: none"><li>● Harness or connectors (Throttle control motor circuit is open or shorted)</li><li>● Electric throttle control actuator</li></ul>

### FAIL-SAFE MODE

When the malfunction is detected, ECM enters fail-safe mode and the MIL lights up.

Engine operating condition in fail-safe mode

ECM stops the electric throttle control actuator control, throttle valve is maintained at a fixed opening (approx. 5 degrees) by the return spring.

### DTC Confirmation Procedure

ABS0011N

#### NOTE:

If "DTC Confirmation Procedure" has been previously conducted, always turn ignition switch "OFF" and wait at least 10 seconds before conducting the next test.

#### WITH CONSULT-II

1. Turn ignition switch "ON" and wait at least 2 seconds.
2. Select "DATA MONITOR" mode with CONSULT-II.
3. Start engine and let it idle for 5 seconds.
4. If DTC is detected, go to [EC-422, "Diagnostic Procedure"](#).

DATA MONITOR	
MONITOR	NO DTC
ENG SPEED	XXX rpm

SEF058Y

#### WITH GST

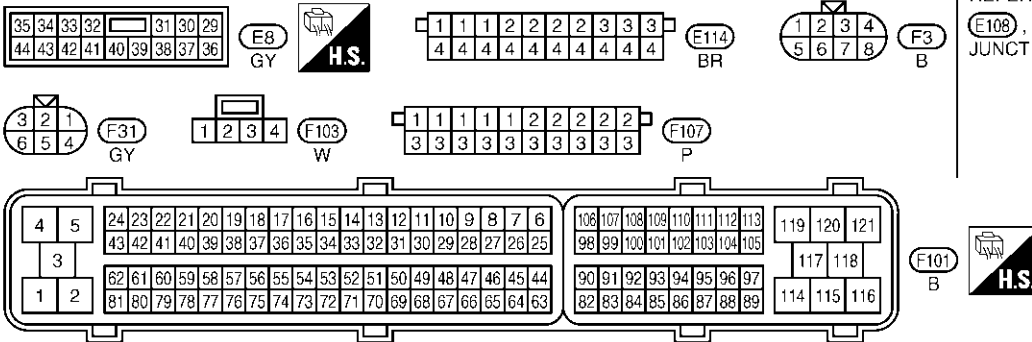
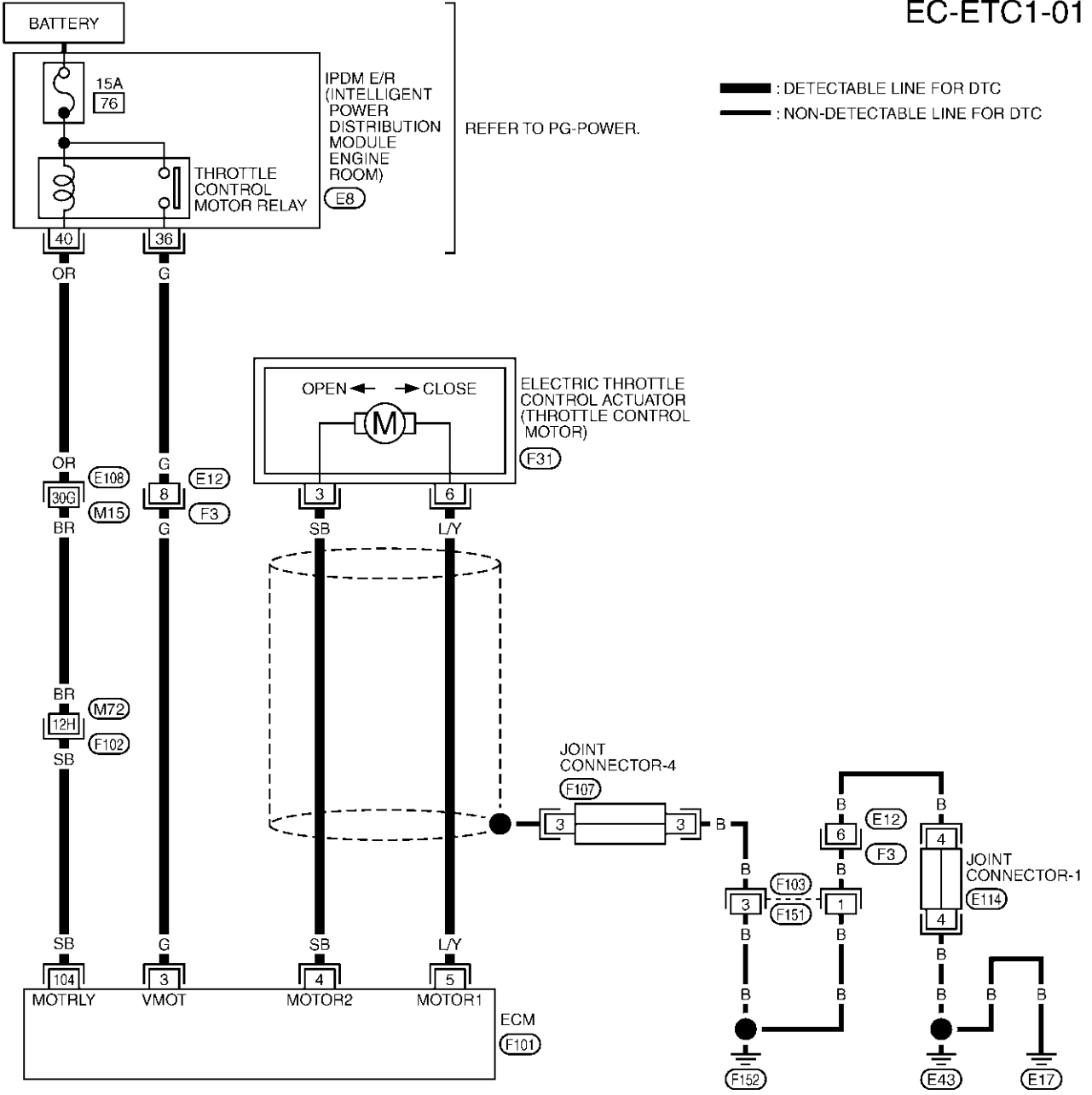
Follow the procedure "WITH CONSULT-II" above.

# DTC P1122 ELECTRIC THROTTLE CONTROL FUNCTION

ABS00110

EC-ETC1-01

## Wiring Diagram



REFER TO THE FOLLOWING.  
 (E108), (F102) -SUPER MULTIPLE JUNCTION (SMJ)

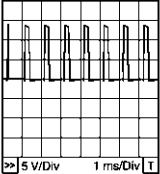
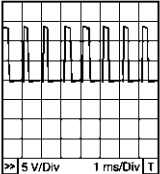
TBWT0226E

# DTC P1122 ELECTRIC THROTTLE CONTROL FUNCTION

Specification data are reference values and are measured between each terminal and ground.

## CAUTION:

Do not use ECM ground terminals when measuring input/output voltage. Doing so may result in damage to the ECM's transistor. Use a ground other than ECM terminals, such as the ground.

TER-MINAL NO.	WIRE COLOR	ITEM	CONDITION	DATA (DC Voltage)
3	G	Throttle control motor relay power supply	<b>[Ignition switch "ON"]</b>	BATTERY VOLTAGE (11 - 14V)
4	SB	Throttle control motor (Close)	<b>[Ignition switch "ON"]</b> <ul style="list-style-type: none"> <li>● Engine stopped</li> <li>● Shift lever: "D" (A/T) or "1st" (M/T)</li> <li>● Accelerator pedal is releasing</li> </ul>	0 - 14V★  PBIB1104E
5	LY	Throttle control motor (Open)	<b>[Ignition switch "ON"]</b> <ul style="list-style-type: none"> <li>● Engine stopped</li> <li>● Shift lever: "D" (A/T) or "1st" (M/T)</li> <li>● Accelerator pedal is depressing</li> </ul>	0 - 14V★  PBIB1105E
104	SB	Throttle control motor relay	<b>[Ignition switch "OFF"]</b>	BATTERY VOLTAGE (11 - 14V)
			<b>[Ignition switch "ON"]</b>	0 - 1.0V

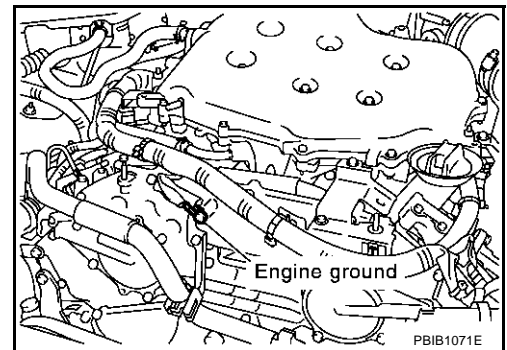
## Diagnostic Procedure

ABS0011P

### 1. RETIGHTEN GROUND SCREWS

1. Turn ignition switch "OFF"
2. Loosen and retighten engine ground screws.

>> GO TO 2.



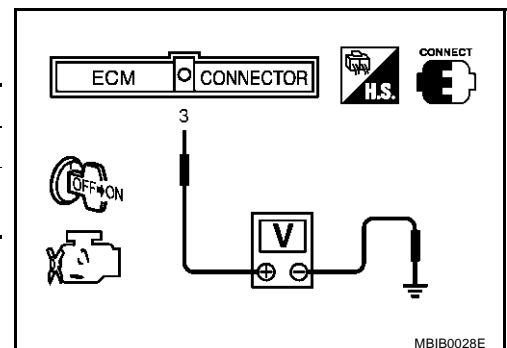
### 2. CHECK THROTTLE CONTROL MOTOR RELAY INPUT SIGNAL CIRCUIT-I

1. Check voltage between ECM terminal 3 and ground under the following conditions with CONSULT-II or tester.

Ignition switch	Voltage
OFF	Approximately 0V
ON	Battery voltage (11 - 14V)

OK or NG

- OK >> GO TO 10.  
 NG >> GO TO 3.



# DTC P1122 ELECTRIC THROTTLE CONTROL FUNCTION

## 3. CHECK THROTTLE CONTROL MOTOR RELAY INPUT SIGNAL CIRCUIT-II

1. Turn ignition switch "OFF".
2. Disconnect ECM harness connector.
3. Disconnect IPDM E/R harness connector E8.
4. Check continuity between ECM terminal 3 and IPDM E/R terminal 36.  
Refer to Wiring Diagram.

**Continuity should exist.**

5. Also check harness for short to ground and short to power.

OK or NG

- OK >> GO TO 5.
- NG >> GO TO 4.

## 4. DETECT MALFUNCTIONING PART

Check the following.

- Harness connectors E12, F3
- Harness for open or short between ECM and IPDM E/R

>> Repair open circuit or short to ground or short to power in harness or connectors.

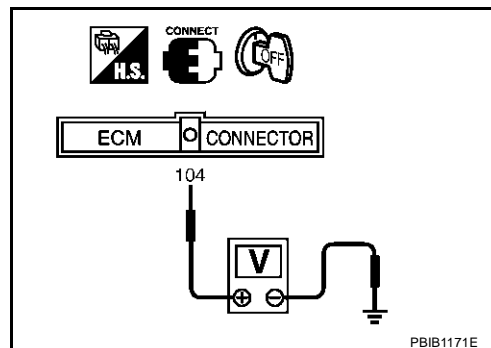
## 5. CHECK THROTTLE CONTROL MOTOR RELAY POWER SUPPLY CIRCUIT-I

1. Reconnect all harness connectors disconnected.
2. Check voltage between ECM terminal 104 and ground with CONSULT-II or tester.

**Voltage: Battery voltage**

OK or NG

- OK >> GO TO 9.
- NG >> GO TO 6.



## 6. CHECK THROTTLE CONTROL MOTOR RELAY POWER SUPPLY CIRCUIT-II

1. Disconnect ECM harness connector.
2. Disconnect IPDM E/R harness connector E8.
3. Check continuity between ECM terminal 104 and IPDM E/R terminal 40.  
Refer to Wiring Diagram.

**Continuity should exist.**

4. Also check harness for short to ground and short to power.

OK or NG

- OK >> GO TO 8.
- NG >> GO TO 7.

# DTC P1122 ELECTRIC THROTTLE CONTROL FUNCTION

## 7. DETECT MALFUNCTIONING PART

Check the following.

- Harness connectors E108, M15
- Harness connectors M72, F102
- Harness for open or short between ECM and IPDM E/R

>> Repair open circuit or short to ground or short to power in harness or connectors.

## 8. CHECK FUSE

1. Disconnect 15A fuse.
2. Check 15A fuse for blown.

OK or NG

OK >> GO TO 9.

NG >> Replace 15A fuse.

## 9. CHECK INTERMITTENT INCIDENT

Refer to [EC-137, "TROUBLE DIAGNOSIS FOR INTERMITTENT INCIDENT"](#) .

OK or NG

OK >> Replace IPDM E/R. Refer to [PG-17, "IPDM E/R \(INTELLIGENT POWER DISTRIBUTION MODULE ENGINE ROOM\)"](#) .

NG >> Repair or replace harness or connectors.

## 10. CHECK THROTTLE CONTROL MOTOR OUTPUT SIGNAL CIRCUIT FOR OPEN OR SHORT

1. Turn ignition switch "OFF".
2. Disconnect electric throttle control actuator harness connector.
3. Disconnect ECM harness connector.
4. Check harness continuity between the following terminals. Refer to Wiring Diagram.

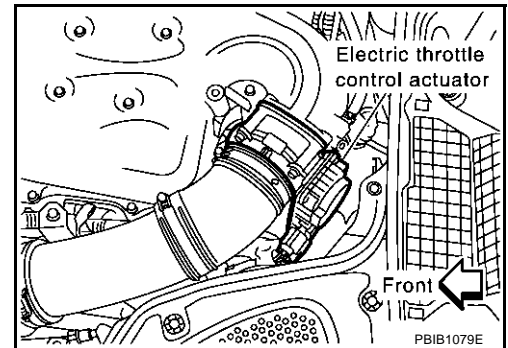
Electric throttle control actuator terminal	ECM terminal	Continuity
3	5	Should not exist
	4	Should exist
6	5	Should exist
	4	Should not exist

5. Also check harness for short to ground and short to power.

OK or NG

OK >> GO TO 11.

NG >> Repair or replace.





# DTC P1122 ELECTRIC THROTTLE CONTROL FUNCTION

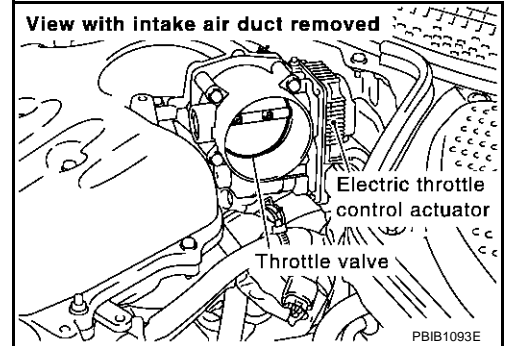
## 11. CHECK ELECTRIC THROTTLE CONTROL ACTUATOR VISUALLY

1. Remove the intake air duct.
2. Check if foreign matter is caught between the throttle valve and the housing.

OK or NG

OK >> GO TO 12.

NG >> Remove the foreign matter and clean the electric throttle control actuator inside.



## 12. CHECK THROTTLE CONTROL MOTOR

Refer to [EC-425, "Component Inspection"](#) .

OK or NG

OK >> GO TO 13.

NG >> GO TO 14.

## 13. CHECK INTERMITTENT INCIDENT

Refer to [EC-137, "TROUBLE DIAGNOSIS FOR INTERMITTENT INCIDENT"](#) .

OK or NG

OK >> GO TO 14.

NG >> Repair or replace harness or connectors.

## 14. REPLACE ELECTRIC THROTTLE CONTROL ACTUATOR

1. Replace the electric throttle control actuator.
2. Perform [EC-51, "Throttle Valve Closed Position Learning"](#) .
3. Perform [EC-51, "Idle Air Volume Learning"](#) .

>> INSPECTION END

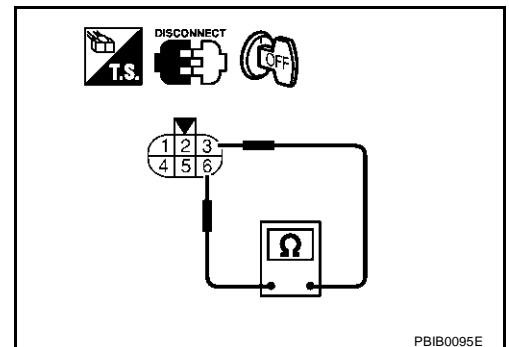
### Component Inspection THROTTLE CONTROL MOTOR

ABS0011Q

1. Disconnect electric throttle control actuator harness connector.
2. Check resistance between terminals 3 and 6.

**Resistance: Approximately 1 - 15  $\Omega$  [at 25 °C (77°F)]**

3. If NG, replace electric throttle control actuator and go to next step.
4. Perform [EC-51, "Throttle Valve Closed Position Learning"](#) .
5. Perform [EC-51, "Idle Air Volume Learning"](#) .



### Remove and Installation ELECTRIC THROTTLE CONTROL ACTUATOR

ABS0011R

Refer to [EM-17, "INTAKE MANIFOLD COLLECTOR"](#) .

# DTC P1124, P1126 THROTTLE CONTROL MOTOR RELAY

## DTC P1124, P1126 THROTTLE CONTROL MOTOR RELAY

PFP:16119

### Component Description

ABS0011S

Power supply for the throttle control motor is provided to the ECM via throttle control motor relay. The throttle control motor relay is ON/OFF controlled by the ECM. When the ignition switch is turned ON, the ECM sends an ON signal to throttle control motor relay and battery voltage is provided to the ECM. When the ignition switch is turned OFF, the ECM sends an OFF signal to throttle control motor relay and battery voltage is not provided to the ECM.

### CONSULT-II Reference Value in Data Monitor Mode

ABS0011T

Specification data are reference values.

MONITOR ITEM	CONDITION	SPECIFICATION
THRTL RELAY	● Ignition switch: ON	ON

### On Board Diagnosis Logic

ABS0011U

These self-diagnoses have the one trip detection logic.

DTC No.	Trouble diagnosis name	DTC detecting condition	Possible cause
P1124 1124	Throttle control motor relay circuit short	ECM detect the throttle control motor relay is stuck ON.	<ul style="list-style-type: none"><li>● Harness or connectors (Throttle control motor relay circuit is shorted)</li><li>● Throttle control motor relay</li></ul>
P1126 1126	Throttle control motor relay circuit open	ECM detects a voltage of power source for throttle control motor is excessively low.	<ul style="list-style-type: none"><li>● Harness or connectors (Throttle control motor relay circuit is open)</li><li>● Throttle control motor relay</li></ul>

### FAIL-SAFE MODE

When the malfunction is detected, ECM enters fail-safe mode and the MIL lights up.

Engine operating condition in fail-safe mode

ECM stops the electric throttle control actuator control, throttle valve is maintained at a fixed opening (approx. 5 degrees) by the return spring.

### DTC Confirmation Procedure

ABS0011V

#### NOTE:

If "DTC Confirmation Procedure" has been previously conducted, always turn ignition switch "OFF" and wait at least 10 seconds before conducting the next test.

#### PROCEDURE FOR DTC P1124

##### TESTING CONDITION:

Before performing the following procedure, confirm that battery voltage is more than 10V at idle.

##### ☐ With CONSULT-II

1. Turn ignition switch "ON" and wait at least 1 second.
2. Select "DATA MONITOR" mode with CONSULT-II.
3. If DTC is detected, go to [EC-429, "Diagnostic Procedure"](#) .

DATA MONITOR	
MONITOR	NO DTC
ENG SPEED	XXX rpm

SEF058Y

# DTC P1124, P1126 THROTTLE CONTROL MOTOR RELAY

## With GST

Follow the procedure "With CONSULT-II" above.

### PROCEDURE FOR DTC P1126

## With CONSULT-II

1. Turn ignition switch "ON" and wait at least 2 seconds.
2. Select "DATA MONITOR" mode with CONSULT-II.
3. Start engine and let it idle for 5 seconds.
4. If DTC is detected, go to [EC-429, "Diagnostic Procedure"](#) .

DATA MONITOR	
MONITOR	NO DTC
ENG SPEED	XXX rpm

SEF058Y

## With GST

Follow the procedure "With CONSULT-II" above.

A

EC

C

D

E

F

G

H

I

J

K

L

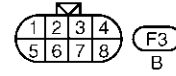
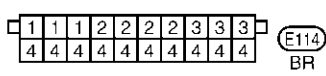
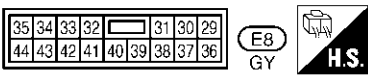
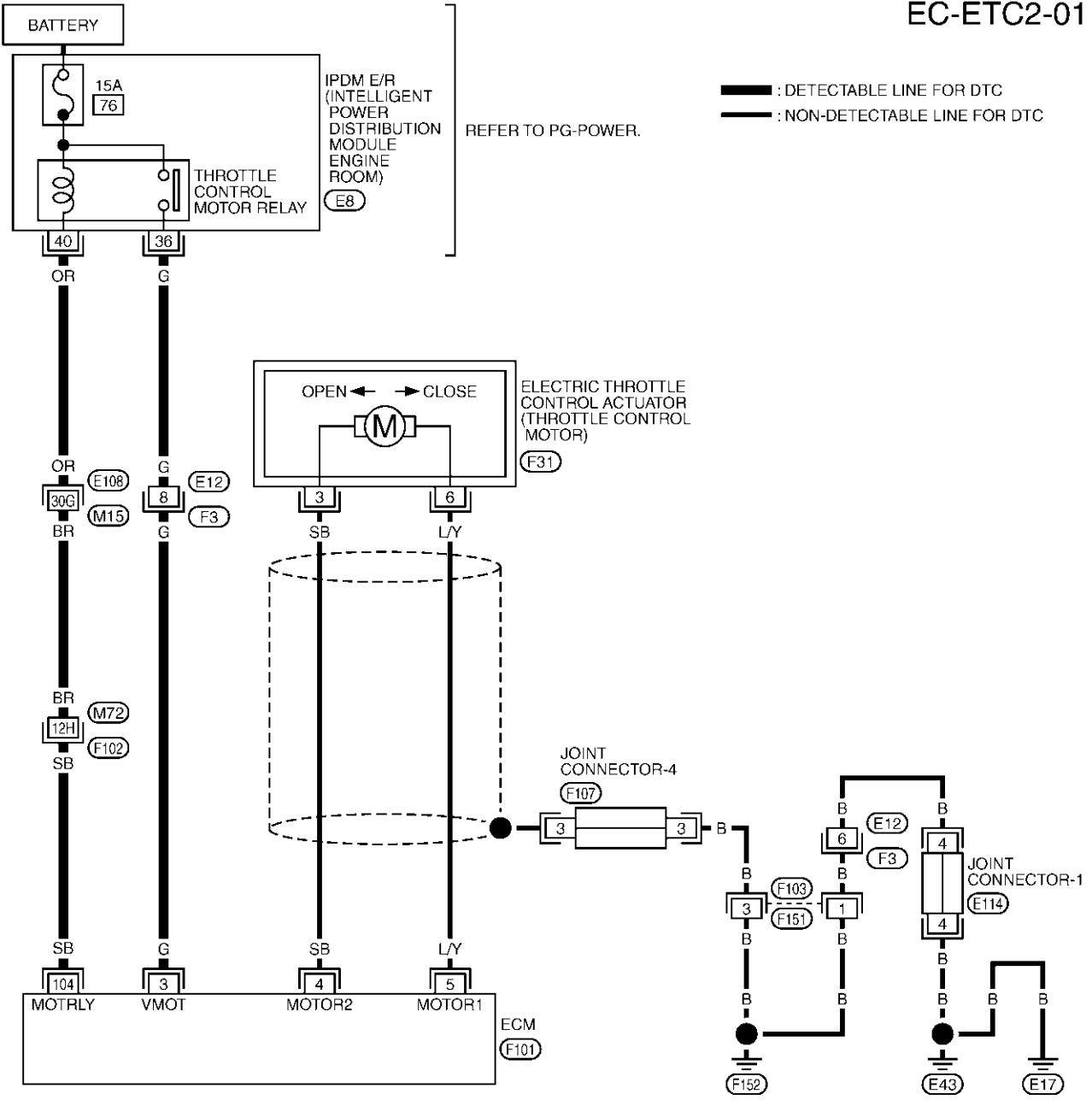
M

# DTC P1124, P1126 THROTTLE CONTROL MOTOR RELAY

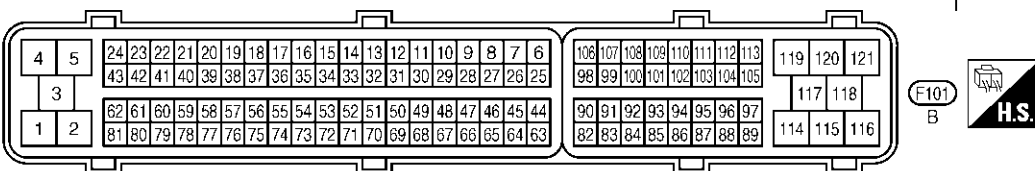
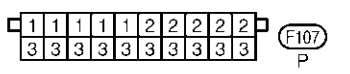
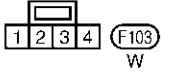
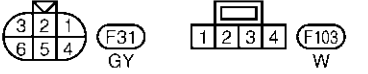
ABS0011W

EC-ETC2-01

## Wiring Diagram



REFER TO THE FOLLOWING.  
 (E108), (F102) -SUPER MULTIPLE JUNCTION (SMJ)



TBWT0227E

# DTC P1124, P1126 THROTTLE CONTROL MOTOR RELAY

Specification data are reference values and are measured between each terminal and ground.

## CAUTION:

Do not use ECM ground terminals when measuring input/output voltage. Doing so may result in damage to the ECM's transistor. Use a ground other than ECM terminals, such as the ground.

TER-MINAL NO.	WIRE COLOR	ITEM	CONDITION	DATA (DC Voltage)
3	G	Throttle control motor relay power supply	[Ignition switch "ON"]	BATTERY VOLTAGE (11 - 14V)
104	SB	Throttle control motor relay	[Ignition switch "OFF"]	BATTERY VOLTAGE (11 - 14V)
			[Ignition switch "ON"]	0 - 1.0V

## Diagnostic Procedure

ABS0011X

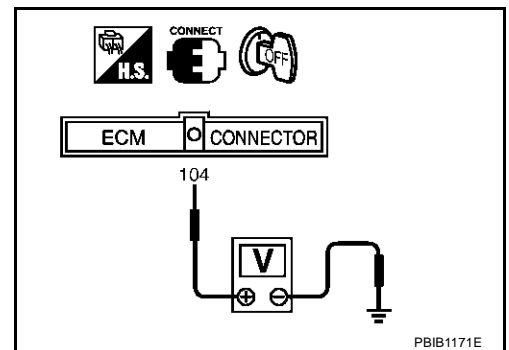
### 1. CHECK THROTTLE CONTROL MOTOR RELAY POWER SUPPLY CIRCUIT-I

1. Turn ignition switch "OFF".
2. Check voltage between ECM terminal 104 and ground with CONSULT-II or tester.

**Voltage: Battery voltage**

OK or NG

- OK >> GO TO 5.  
NG >> GO TO 2.



### 2. CHECK THROTTLE CONTROL MOTOR RELAY POWER SUPPLY CIRCUIT-II

1. Disconnect ECM harness connector.
2. Disconnect IPDM E/R harness connector E8.
3. Check continuity between ECM terminal 104 and IPDM E/R terminal 40. Refer to Wiring Diagram.

**Continuity should exist.**

4. Also check harness for short to ground and short to power.

OK or NG

- OK >> GO TO 4.  
NG >> GO TO 3.

### 3. DETECT MALFUNCTIONING PART

Check the following.

- Harness connectors E108, M15
- Harness connectors M72, F102
- Harness for open or short between ECM and IPDM E/R

>> Repair open circuit or short to ground or short to power in harness or connectors.

# DTC P1124, P1126 THROTTLE CONTROL MOTOR RELAY

## 4. CHECK FUSE

1. Disconnect 15A fuse.
2. Check 15A fuse for blown.

OK or NG

- OK >> GO TO 8.  
NG >> Replace 15A fuse.

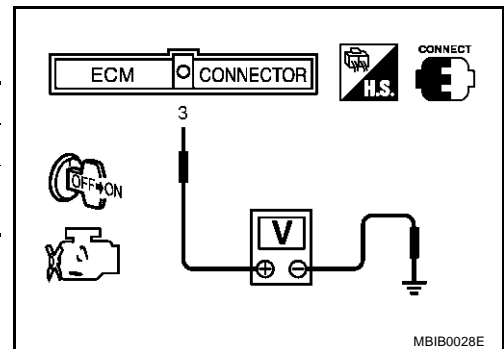
## 5. CHECK THROTTLE CONTROL MOTOR RELAY INPUT SIGNAL CIRCUIT-I

1. Check voltage between ECM terminal 3 and ground under the following conditions with CONSULT-II or tester.

Ignition switch	Voltage
OFF	Approximately 0V
ON	Battery voltage (11 - 14V)

OK or NG

- OK >> GO TO 8.  
NG >> GO TO 6.



## 6. CHECK THROTTLE CONTROL MOTOR RELAY INPUT SIGNAL CIRCUIT-II

1. Turn ignition switch "OFF".
2. Disconnect ECM harness connector.
3. Disconnect IPDM E/R harness connector E8.
4. Check continuity between ECM terminal 3 and IPDM E/R terminal 36. Refer to Wiring Diagram.

**Continuity should exist.**

5. Also check harness for short to ground and short to power.

OK or NG

- OK >> GO TO 8.  
NG >> GO TO 7.

## 7. DETECT MALFUNCTIONING PART

Check the following.

- Harness connectors E12, F3
- Harness for open or short between ECM and IPDM E/R

>> Repair open circuit or short to ground or short to power in harness or connectors.

## 8. CHECK INTERMITTENT INCIDENT

Refer to [EC-137, "TROUBLE DIAGNOSIS FOR INTERMITTENT INCIDENT"](#) .

OK or NG

- OK >> Replace IPDM E/R. Refer to [PG-17, "IPDM E/R \(INTELLIGENT POWER DISTRIBUTION MODULE ENGINE ROOM\)"](#) .  
NG >> Repair or replace harness or connectors.

# DTC P1128 THROTTLE CONTROL MOTOR

## DTC P1128 THROTTLE CONTROL MOTOR

PFP:16119

### Component Description

ABS0011Y

The throttle control motor is operated by the ECM and it opens and closes the throttle valve. The current opening angle of the throttle valve is detected by the throttle position sensor and it provides feedback to the ECM to control the throttle control motor to make the throttle valve opening angle properly in response to driving condition.

### On Board Diagnosis Logic

ABS0012Z

This self-diagnosis has the one trip detection logic.

DTC No.	Trouble diagnosis name	DTC detecting condition	Possible cause
P1128 1128	Throttle control motor circuit short	ECM detects short in both circuits between ECM and throttle control motor.	<ul style="list-style-type: none"><li>● Harness or connectors (Throttle control motor circuit is shorted.)</li><li>● Electric throttle control actuator (Throttle control motor)</li></ul>

### FAIL-SAFE MODE

When the malfunction is detected, the ECM enters fail-safe mode and the MIL lights up.

Engine operating condition in fail-safe mode

ECM stops the electric throttle control actuator control, throttle valve is maintained at a fixed opening (approx. 5 degrees) by the return spring.

### DTC Confirmation Procedure

ABS00120

#### NOTE:

If "DTC Confirmation Procedure" has been previously conducted, always turn ignition switch "OFF" and wait at least 10 seconds before conducting the next test.

#### WITH CONSULT-II

1. Turn ignition switch "ON" and wait at least 2 seconds.
2. Select "DATA MONITOR" mode with CONSULT-II.
3. Start engine and let it idle for 5 seconds.
4. If DTC is detected, go to [EC-433, "Diagnostic Procedure"](#).

DATA MONITOR	
MONITOR	NO DTC
ENG SPEED	XXX rpm

SEF058Y

#### WITH GST

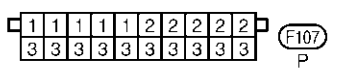
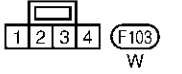
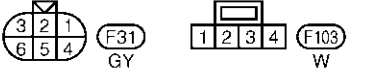
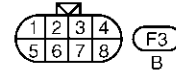
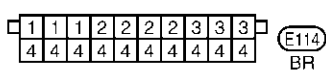
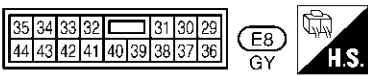
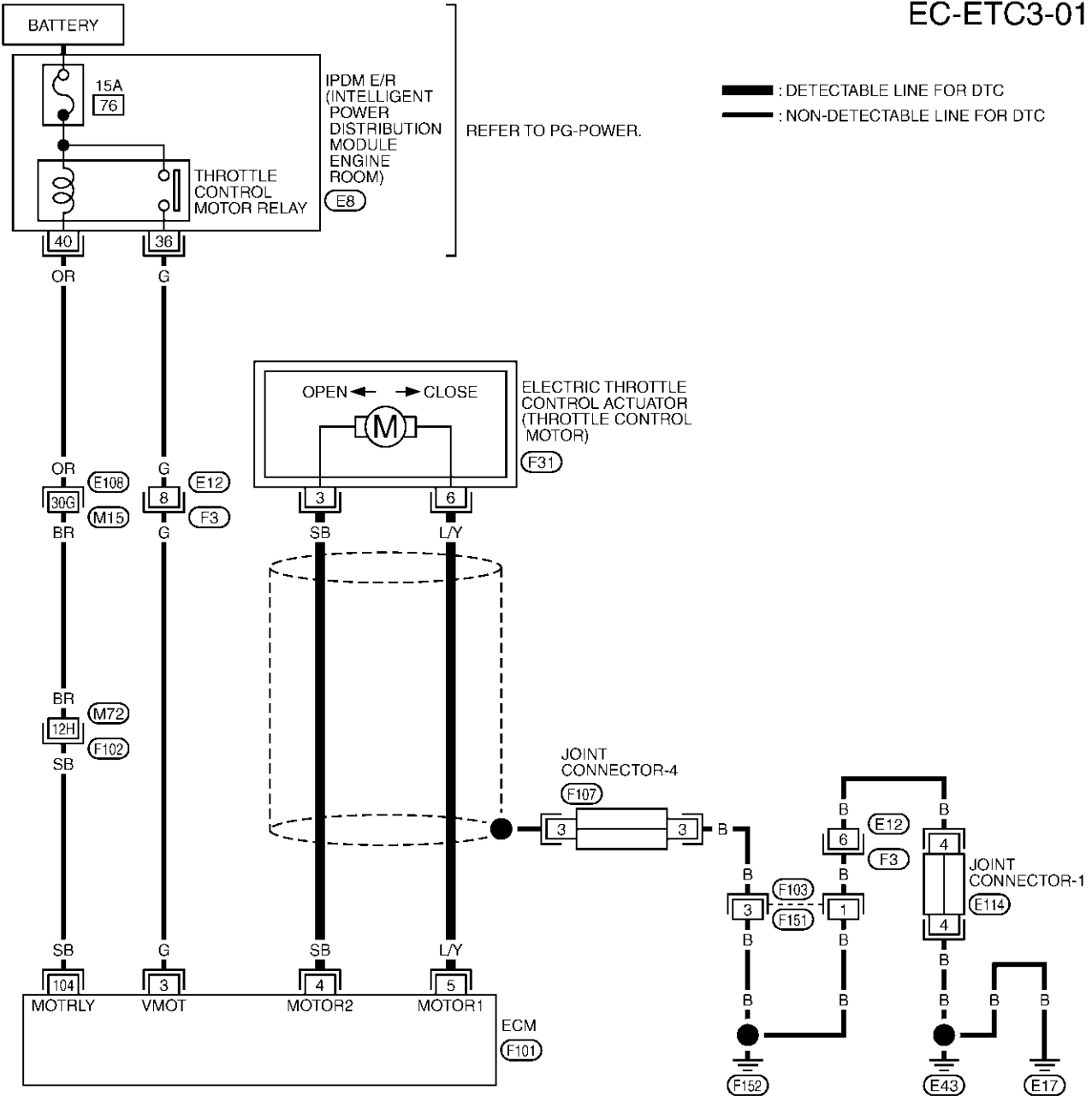
Follow the procedure "WITH CONSULT-II" above.

# DTC P1128 THROTTLE CONTROL MOTOR

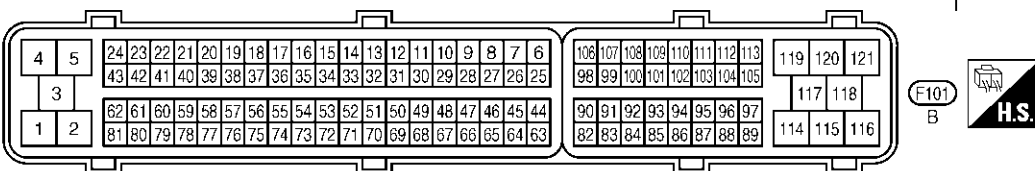
ABS00121

EC-ETC3-01

## Wiring Diagram



REFER TO THE FOLLOWING.  
 (E108), (F102) -SUPER MULTIPLE JUNCTION (SMJ)



TBWT0228E

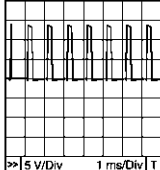
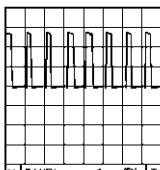


# DTC P1128 THROTTLE CONTROL MOTOR

Specification data are reference values and are measured between each terminal and ground.

**CAUTION:**

Do not use ECM ground terminals when measuring input/output voltage. Doing so may result in damage to the ECM's transistor. Use a ground other than ECM terminals, such as the ground.

TER-MINAL NO.	WIRE COLOR	ITEM	CONDITION	DATA (DC Voltage)
4	SB	Throttle control motor (Close)	<p>[Ignition switch "ON"]</p> <ul style="list-style-type: none"> <li>● Engine stopped</li> <li>● Shift lever: "D" (A/T) or "1st" (M/T)</li> <li>● Accelerator pedal is releasing</li> </ul>	<p>0 - 14V★</p>  <p>PBIB1104E</p>
5	L/Y	Throttle control motor (Open)	<p>[Ignition switch "ON"]</p> <ul style="list-style-type: none"> <li>● Engine stopped</li> <li>● Shift lever: "D" (A/T) or "1st" (M/T)</li> <li>● Accelerator pedal is depressing</li> </ul>	<p>0 - 14V★</p>  <p>PBIB1105E</p>

★: Average voltage for pulse signal (Actual pulse signal can be confirmed by oscilloscope.)

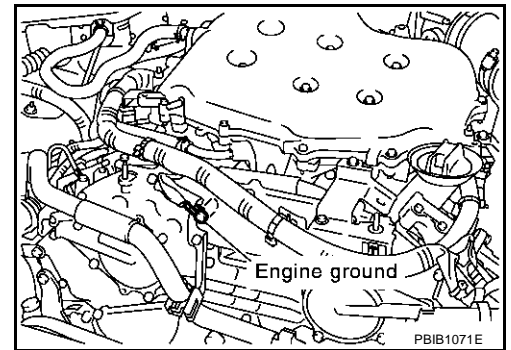
## Diagnostic Procedure

ABS00122

### 1. RETIGHTEN GROUND SCREWS

1. Turn ignition switch "OFF"
2. Loosen and retighten engine ground screws.

>> GO TO 2.

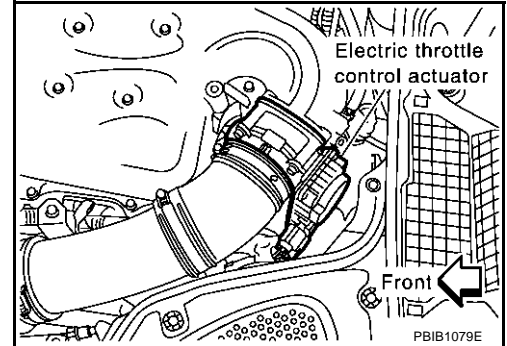


# DTC P1128 THROTTLE CONTROL MOTOR

## 2. CHECK THROTTLE CONTROL MOTOR OUTPUT SIGNAL CIRCUIT FOR OPEN OR SHORT

1. Turn ignition switch "OFF".
2. Disconnect electric throttle control actuator harness connector.
3. Disconnect ECM harness connector.
4. Check harness continuity between the following terminals. Refer to Wiring Diagram.

Electric throttle control actuator terminal	ECM terminal	Continuity
3	5	Should not exist
	4	Should exist
6	5	Should exist
	4	Should not exist



5. Also check harness for short to ground and short to power.

OK or NG

- OK >> GO TO 3.  
NG >> Repair or replace.

## 3. CHECK THROTTLE CONTROL MOTOR

Refer to [EC-434, "Component Inspection"](#).

OK or NG

- OK >> GO TO 4.  
NG >> GO TO 5.

## 4. CHECK INTERMITTENT INCIDENT

Refer to [EC-137, "TROUBLE DIAGNOSIS FOR INTERMITTENT INCIDENT"](#).

OK or NG

- OK >> GO TO 5.  
NG >> Repair or replace harness or connectors.

## 5. REPLACE ELECTRIC THROTTLE CONTROL ACTUATOR

1. Replace the electric throttle control actuator.
2. Perform [EC-51, "Throttle Valve Closed Position Learning"](#).
3. Perform [EC-51, "Idle Air Volume Learning"](#).

>> INSPECTION END

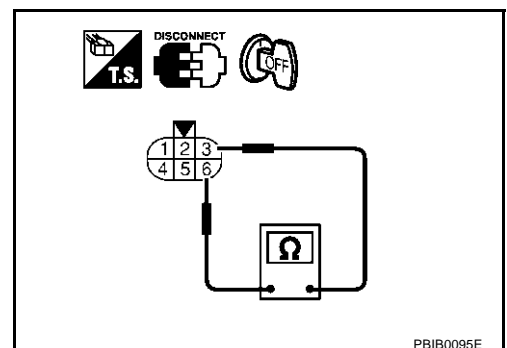
### Component Inspection THROTTLE CONTROL MOTOR

ABS00123

1. Disconnect electric throttle control actuator harness connector.
2. Check resistance between terminals 3 and 6.

**Resistance: Approximately 1 - 15  $\Omega$  [at 25 °C (77°F)]**

3. If NG, replace electric throttle control actuator and go to next step.
4. Perform [EC-51, "Throttle Valve Closed Position Learning"](#).
5. Perform [EC-51, "Idle Air Volume Learning"](#).



# DTC P1128 THROTTLE CONTROL MOTOR

**Removal and Installation**  
**ELECTRIC THROTTLE CONTROL ACTUATOR**  
Refer to [EM-17, "INTAKE MANIFOLD COLLECTOR"](#) .

ABS00124

A

EC

C

D

E

F

G

H

I

J

K

L

M

# DTC P1143, P1163 HO2S1

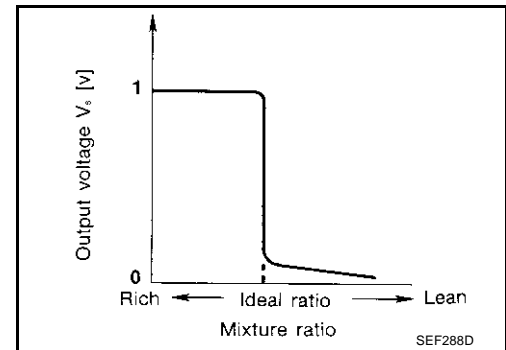
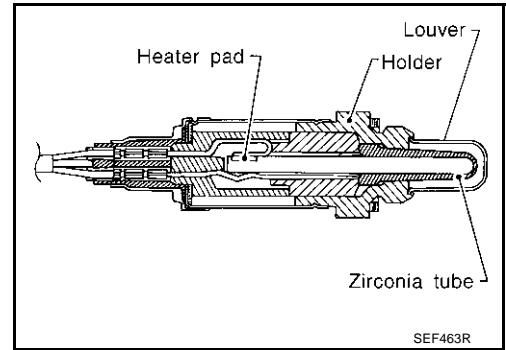
## DTC P1143, P1163 HO2S1

PFP:22690

### Component Description

ABS00125

The heated oxygen sensor 1 is placed into the exhaust manifold. It detects the amount of oxygen in the exhaust gas compared to the outside air. The heated oxygen sensor 1 has a closed-end tube made of ceramic zirconia. The zirconia generates voltage from approximately 1V in richer conditions to 0V in leaner conditions. The heated oxygen sensor 1 signal is sent to the ECM. The ECM adjusts the injection pulse duration to achieve the ideal air-fuel ratio. The ideal air-fuel ratio occurs near the radical change from 1 to 0V.



## CONSULT-II Reference Value in Data Monitor Mode

ABS00126

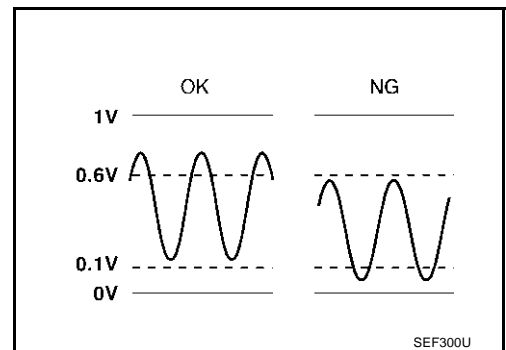
Specification data are reference values.

MONITOR ITEM	CONDITION		SPECIFICATION
HO2S1 (B1) HO2S1 (B2)	● Engine: After warming up	Maintaining engine speed at 2,000 rpm	0 - 0.3V ↔ Approx. 0.6 - 1.0V
HO2S1 MNTR (B1) HO2S1 MNTR (B2)	● Engine: After warming up	Maintaining engine speed at 2,000 rpm	LEAN ↔ RICH Changes more than 5 times during 10 seconds.

## On Board Diagnosis Logic

ABS00127

To judge the malfunction, the output from the heated oxygen sensor 1 is monitored to determine whether the "rich" output is sufficiently high and whether the "lean" output is sufficiently low. When both the outputs are shifting to the lean side, the malfunction will be detected.



DTC No.	Trouble diagnosis name	DTC detecting condition	Possible cause
P1143 1143 (Bank 1)	Heated oxygen sensor 1 lean shift monitoring	The maximum and minimum voltage from the sensor are not reached to the specified voltages.	<ul style="list-style-type: none"> <li>● Heated oxygen sensor 1</li> <li>● Heated oxygen sensor 1 heater</li> <li>● Fuel pressure</li> <li>● Injectors</li> <li>● Intake air leaks</li> </ul>
P1163 1163 (Bank 2)			

## DTC Confirmation Procedure

**CAUTION:**

Always drive vehicle at a safe speed.

**NOTE:**

If "DTC Confirmation Procedure" has been previously conducted, always turn ignition switch "OFF" and wait at least 10 seconds before conducting the next test.

**TESTING CONDITION:**

- Always perform at a temperature above -10°C (14°F).
- Before performing following procedure, confirm that battery voltage is more than 11V at idle.

**WITH CONSULT-II**

1. Start engine and warm it up to normal operating temperature.
2. Stop engine and wait at least 10 seconds.
3. Turn ignition switch "ON" and select "HO2S1 (B1) P1143" of "HO2S1" or "HO2S1 (B2) P1163" of "HO2S1" in "DTC WORK SUPPORT" mode with CONSULT-II.
4. Touch "START".
5. Start engine and let it idle for at least 3 minutes.

**NOTE:**

Never raise engine speed above 3,600 rpm after this step. If the engine speed limit is exceeded, return to step 5.

HO2S1 (B1) P1143	
OUT OF CONDITION	
MONITOR	
ENG SPEED	XXX rpm
B/FUEL SCHDL	XXX msec
COOLAN TEMP/S	XXX °C
VHCL SPEED SEN	XXX km/h

PBIB0546E

6. When the following conditions are met, "TESTING" will be displayed on the CONSULT-II screen. Maintain the conditions continuously until "TESTING" changes to "COMPLETED". (It will take approximately 40 seconds or more.)

ENG SPEED	1,200 - 2,600 rpm
Vehicle speed	Less than 100 km/h (62 MPH)
B/FUEL SCHDL	2.5 - 12.0 msec
Selector lever	Suitable position

HO2S1 (B1) P1143	
TESTING	
MONITOR	
ENG SPEED	XXX rpm
B/FUEL SCHDL	XXX msec
COOLAN TEMP/S	XXX °C
VHCL SPEED SEN	XXX km/h

PBIB0547E

**If "TESTING" is not displayed after 5 minutes, retry from step 2.**

7. Make sure that "OK" is displayed after touching "SELF-DIAG RESULTS". If "NG" is displayed, refer to [EC-438, "Diagnostic Procedure"](#).

HO2S1 (B1) P1143	
COMPLETED	

SEC769C

# DTC P1143, P1163 HO2S1

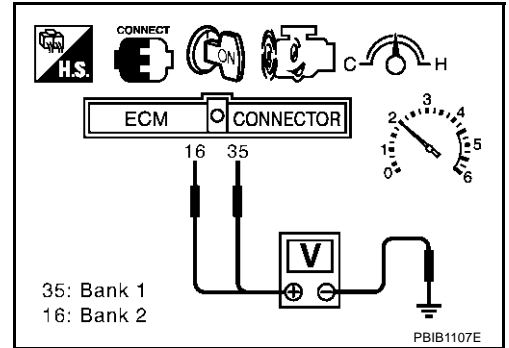
ABS00129

## Overall Function Check

Use this procedure to check the overall function of the heated oxygen sensor 1 circuit. During this check, a DTC might not be confirmed.

### Ⓢ WITH GST

1. Start engine and warm it up to normal operating temperature.
2. Set voltmeter probes between ECM terminal 35 [HO2S1(B1) signal] or 16 [HO2S1(B2) signal] and engine ground.
3. Check one of the following with engine speed held at 2,000 rpm constant under no load.
  - The maximum voltage is over 0.6V at least one time.
  - The minimum voltage is over 0.1V at least one time.
4. If NG, go to [EC-438, "Diagnostic Procedure"](#).



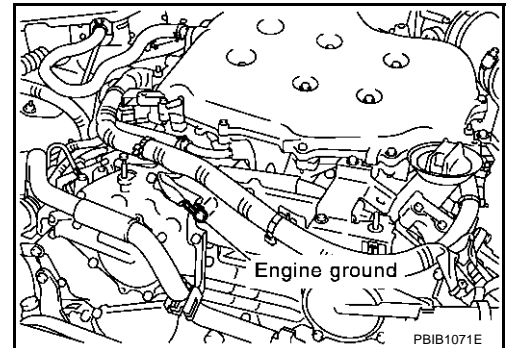
## Diagnostic Procedure

ABS0012A

### 1. RETIGHTEN GROUND SCREWS

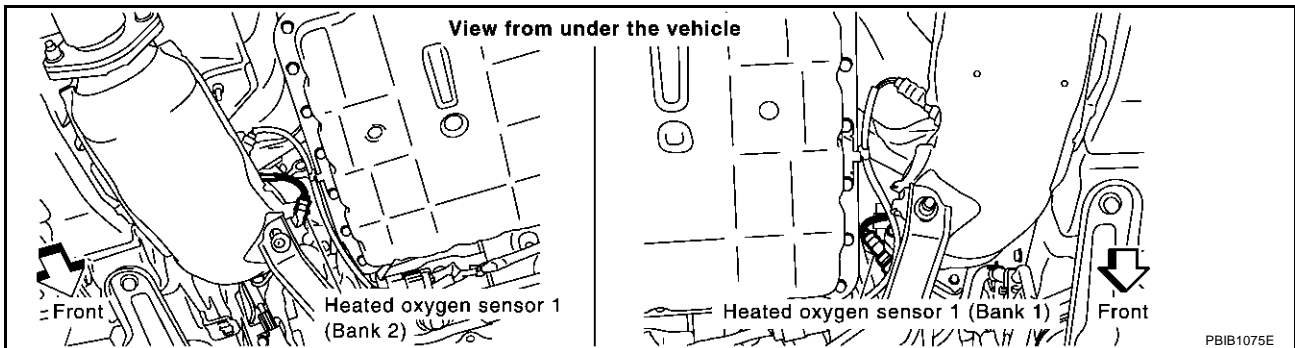
1. Turn ignition switch "OFF".
2. Loosen and retighten engine ground screws.

>> GO TO 2.



### 2. RETIGHTEN HEATED OXYGEN SENSOR 1

Loosen and retighten corresponding heated oxygen sensor 1.



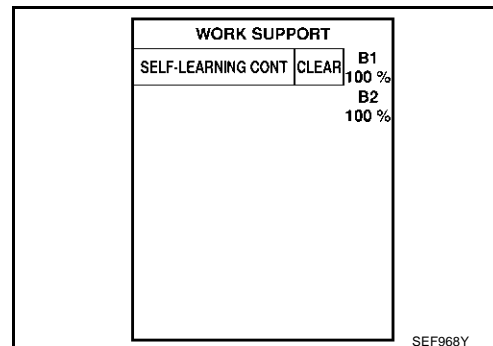
**Tightening torque: 40 - 50 N·m (4.1 - 5.1 kg·m, 30 - 37 ft·lb)**

>> GO TO 3.

### 3. CLEAR THE SELF-LEARNING DATA

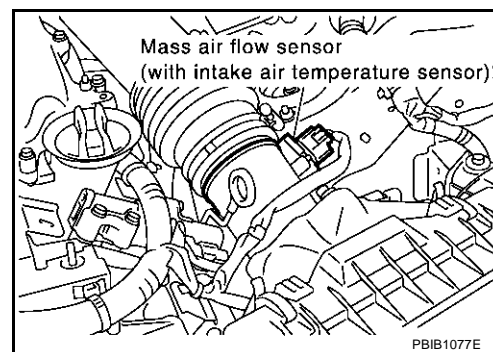
#### With CONSULT-II

1. Start engine and warm it up to normal operating temperature.
2. Select "SELF-LEARNING CONT" in "WORK SUPPORT" mode with CONSULT-II.
3. Clear the self-learning control coefficient by touching "CLEAR".
4. Run engine for at least 10 minutes at idle speed.  
**Is the 1st trip DTC P0171 or P0174 detected?**  
**Is it difficult to start engine?**



#### Without CONSULT-II

1. Start engine and warm it up to normal operating temperature.
2. Turn ignition switch "OFF".
3. Disconnect mass air flow sensor harness connector, and restart and run engine for at least 5 seconds at idle speed.
4. Stop engine and reconnect mass air flow sensor harness connector.
5. Make sure DTC P0102 is displayed.
6. Erase the DTC memory. Refer to [EC-69, "HOW TO ERASE EMISSION-RELATED DIAGNOSTIC INFORMATION"](#).
7. Make sure DTC P0000 is displayed.
8. Run engine for at least 10 minutes at idle speed.  
**Is the 1st trip DTC P0171 or P0174 detected?**  
**Is it difficult to start engine?**



#### Yes or No

- Yes >> Perform trouble diagnosis for DTC P0171 or P0174. Refer to [EC-260](#).
- No >> GO TO 4.

### 4. CHECK HEATED OXYGEN SENSOR 1 HEATER

Refer to [EC-158, "Component Inspection"](#).

#### OK or NG

- OK >> GO TO 5.
- NG >> Replace malfunctioning heated oxygen sensor 1.

### 5. CHECK HEATED OXYGEN SENSOR 1

Refer to [EC-440, "Component Inspection"](#).

#### OK or NG

- OK >> GO TO 6.
- NG >> Replace malfunctioning heated oxygen sensor 1.

### 6. CHECK INTERMITTENT INCIDENT

Refer to [EC-137, "TROUBLE DIAGNOSIS FOR INTERMITTENT INCIDENT"](#).

For circuit, refer to [EC-209, "Wiring Diagram"](#).

>> INSPECTION END

# DTC P1143, P1163 HO2S1

ABS0012B

## Component Inspection HEATED OXYGEN SENSOR 1

### With CONSULT-II

1. Start engine and warm it up to normal operating temperature.
2. Select "MANU TRIG" and adjust "TRIGGER POINT" to 100% in "DATA MONITOR" mode with CONSULT-II.
3. Select "HO2S1 (B1)/(B2)" and "HO2S1 MNTR (B1)/(B2)".
4. Hold engine speed at 2,000 rpm under no load during the following steps.
5. Touch "RECORD" on CONSULT-II screen.

DATA MONITOR	
MONITOR	NO DTC
ENG SPEED	XXX rpm
MAS A/F SE-B1	XXX V
COOLAN TEMP/S	XXX °C
HO2S1 (B1)	XXX V
HO2S1 MNTR (B1)	LEAN

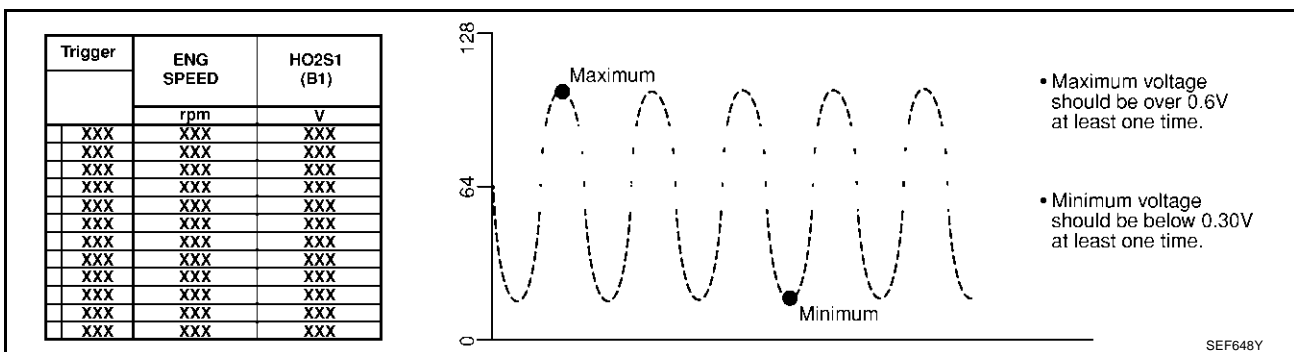
SEF646Y

6. Check the following.

- "HO2S1 MNTR (B1)/(B2)" in "DATA MONITOR" mode changes from "RICH" to "LEAN" to "RICH" more than 5 times in 10 seconds.  
5 times (cycles) are counted as shown at right.
- "HO2S1 (B1)/(B2)" voltage goes above 0.6V at least once.
- "HO2S1 (B1)/(B2)" voltage goes below 0.3V at least once.
- "HO2S1 (B1)/(B2)" voltage never exceeds 1.0V.

Bank 1		1	2	3	4	5
	cycle					
HO2S1 MNTR (B1) R-L-R-L-R-L-R-L-R-L-R						
Bank 2		1	2	3	4	5
	cycle					
HO2S1 MNTR (B2) R-L-R-L-R-L-R-L-R-L-R						
R means HO2S1						
MNTR (B1)/(B2) indicates RICH						
L means HO2S1						
MNTR (B1)/(B2) indicates LEAN						

SEF647Y



### CAUTION:

- Discard any heated oxygen sensor which has been dropped from a height of more than 0.5 m (19.7 in) onto a hard surface such as a concrete floor; use a new one.
- Before installing new oxygen sensor, clean exhaust system threads using Oxygen Sensor Thread Cleaner tool J-43897-18 or J-43897-12 and approved anti-seize lubricant.



## DTC P1143, P1163 HO2S1

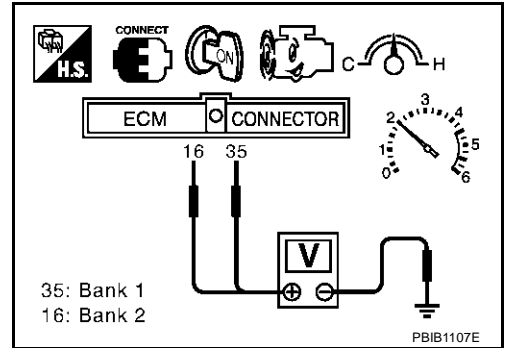
### ⊗ Without CONSULT-II

1. Start engine and warm it up to normal operating temperature.
2. Set voltmeter probes between ECM terminal 35 [HO2S1 (B1) signal] or 16 [HO2S1 (B2) signal] and engine ground.
3. Check the following with engine speed held at 2,000 rpm constant under no load.
  - The voltage fluctuates between 0 to 0.3V and 0.6 to 1.0V more than 5 times within 10 seconds.
  - The maximum voltage is over 0.6V at least one time.
  - The minimum voltage is below 0.3V at least one time.
  - The voltage never exceeds 1.0V.

1 time: 0 - 0.3V → 0.6 - 1.0V → 0 - 0.3V  
2 times: 0 - 0.3V → 0.6 - 1.0V → 0 - 0.3V → 0.6 - 1.0V

### CAUTION:

- Discard any heated oxygen sensor which has been dropped from a height of more than 0.5 m (19.7 in) onto a hard surface such as a concrete floor; use a new one.
- Before installing new oxygen sensor, clean exhaust system threads using Oxygen Sensor Thread Cleaner tool J-43897-18 or J-43897-12 and approved anti-seize lubricant.



### Removal and Installation HEATED OXYGEN SENSOR 1

ABS0012C

Refer to [EM-23, "EXHAUST MANIFOLD AND THREE WAY CATALYST"](#).

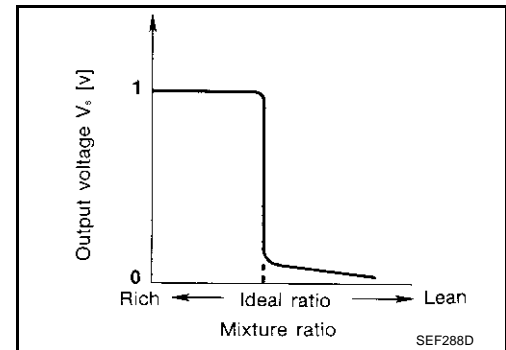
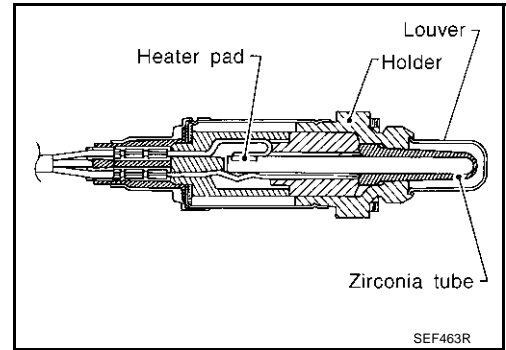
## DTC P1144, P1164 HO2S1

PFP:22690

### Component Description

ABS0012D

The heated oxygen sensor 1 is placed into the exhaust manifold. It detects the amount of oxygen in the exhaust gas compared to the outside air. The heated oxygen sensor 1 has a closed-end tube made of ceramic zirconia. The zirconia generates voltage from approximately 1V in richer conditions to 0V in leaner conditions. The heated oxygen sensor 1 signal is sent to the ECM. The ECM adjusts the injection pulse duration to achieve the ideal air-fuel ratio. The ideal air-fuel ratio occurs near the radical change from 1 to 0V.



### CONSULT-II Reference Value in Data Monitor Mode

ABS0012E

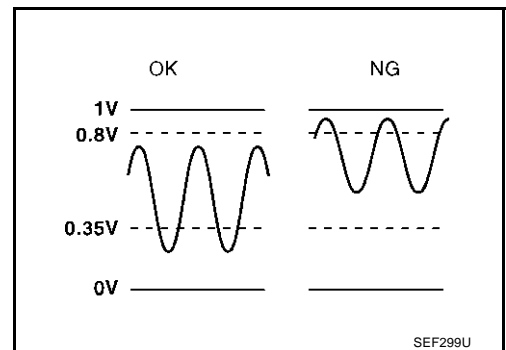
Specification data are reference values.

MONITOR ITEM	CONDITION		SPECIFICATION
HO2S1 (B1) HO2S1 (B2)	● Engine: After warming up	Maintaining engine speed at 2,000 rpm	0 - 0.3V ↔ Approx. 0.6 - 1.0V
HO2S1 MNTR (B1) HO2S1 MNTR (B2)	● Engine: After warming up	Maintaining engine speed at 2,000 rpm	LEAN ↔ RICH Changes more than 5 times during 10 seconds.

### On Board Diagnosis Logic

ABS0012F

To judge the malfunction, the output from the heated oxygen sensor 1 is monitored to determine whether the “rich” output is sufficiently high and “lean” output is sufficiently low. When both the outputs are shifting to the rich side, the malfunction will be detected.



DTC No.	Trouble diagnosis name	DTC detecting condition	Possible cause
P1144 1144 (Bank 1)	Heated oxygen sensor 1 rich shift monitoring	The maximum and minimum voltages from the sensor are beyond the specified voltages.	<ul style="list-style-type: none"> <li>● Heated oxygen sensor 1</li> <li>● Heated oxygen sensor 1 heater</li> <li>● Fuel pressure</li> <li>● Injectors</li> </ul>
P1164 1164 (Bank 2)			

## DTC Confirmation Procedure

**CAUTION:**

Always drive vehicle at a safe speed.

**NOTE:**

If "DTC Confirmation Procedure" has been previously conducted, always turn ignition switch "OFF" and wait at least 10 seconds before conducting the next test.

**TESTING CONDITION:**

- Always perform at a temperature above  $-10^{\circ}\text{C}$  ( $14^{\circ}\text{F}$ ).
- Before performing the following procedure, confirm that battery voltage is more than 11V at idle.

**WITH CONSULT-II**

1. Start engine and warm it up to normal operating temperature.
2. Stop engine and wait at least 5 seconds.
3. Turn ignition switch "ON" and select "HO2S1 (B1) P1144" or "HO2S1 (B2) P1164" of "HO2S1" in "DTC WORK SUPPORT" mode with CONSULT-II.
4. Touch "START".
5. Start engine and let it idle for at least 3 minutes.

**NOTE:**

Never raise engine speed above 3,600 rpm after this step. If the engine speed limit is exceeded, return to step 5.

HO2S1 (B1) P1144	
OUT OF CONDITION	
MONITOR	
ENG SPEED	XXX rpm
B/FUEL SCHDL	XXX msec
COOLAN TEMP/S	XXX °C
VHCL SPEED SEN	XXX km/h

PBIB0548E

6. When the following conditions are met, "TESTING" will be displayed on the CONSULT-II screen. Maintain the conditions continuously until "TESTING" changes to "COMPLETED". (It will take approximately 40 seconds or more.)

ENG SPEED	1,200 - 2,600 rpm
Vehicle speed	Less than 100 km/h (62 MPH)
B/FUEL SCHDL	2.5 - 12.0 msec
Selector lever	Suitable position

HO2S1 (B1) P1144	
TESTING	
MONITOR	
ENG SPEED	XXX rpm
B/FUEL SCHDL	XXX msec
COOLAN TEMP/S	XXX °C
VHCL SPEED SEN	XXX km/h

PBIB0549E

**If "TESTING" is not displayed after 5 minutes, retry from step 2.**

7. Make sure that "OK" is displayed after touching "SELF-DIAG RESULTS". If "NG" is displayed, refer to [EC-444, "Diagnostic Procedure"](#).

HO2S1 (B1) P1144	
COMPLETED	

SEC772C

# DTC P1144, P1164 HO2S1

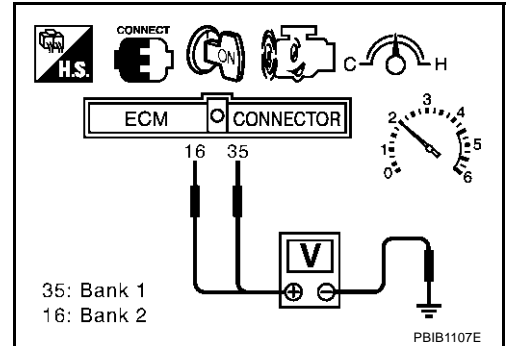
ABS0012H

## Overall Function Check

Use this procedure to check the overall function of the heated oxygen sensor 1 circuit. During this check, a DTC might not be confirmed.

### WITH GST

1. Start engine and warm it up to normal operating temperature.
2. Set voltmeter probes between ECM terminal 35 [HO2S1(B1) signal] 16 [HO2S1(B2) signal] and engine ground.
3. Check one of the following with engine speed held at 2,000 rpm constant under no load.
  - The maximum voltage is below 0.8V at least one time.
  - The minimum voltage is below 0.35V at least one time.
4. If NG, go to [EC-444, "Diagnostic Procedure"](#).



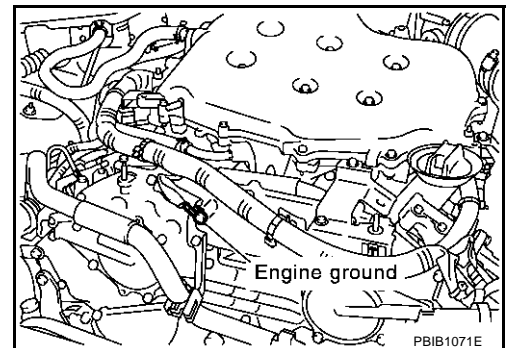
## Diagnostic Procedure

ABS0012I

### 1. RETIGHTEN GROUND SCREWS

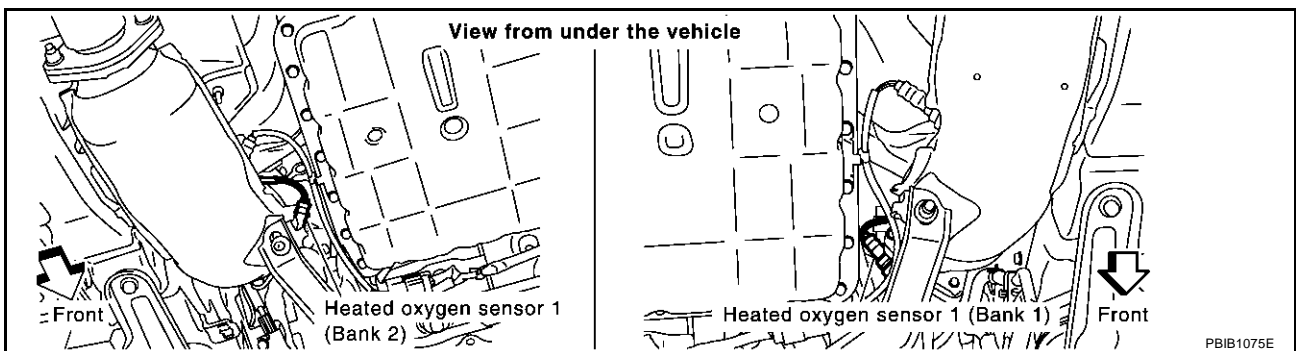
1. Turn ignition switch "OFF".
2. Loosen and retighten engine ground screws.

>> GO TO 2.



### 2. RETIGHTEN HEATED OXYGEN SENSOR 1

Loosen and retighten heated oxygen sensor 1.



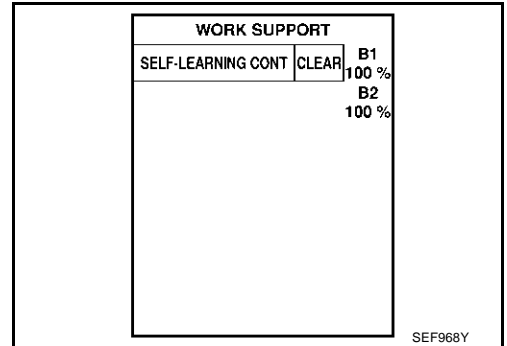
**Tightening torque: 40 - 50 N·m (4.1 - 5.1 kg·m, 30 - 37 ft·lb)**

>> GO TO 3.

**3. CLEAR THE SELF-LEARNING DATA**

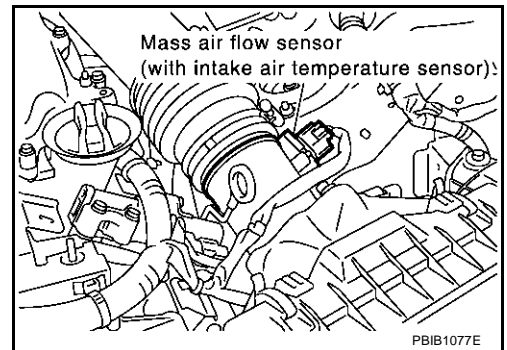
**With CONSULT-II**

1. Start engine and warm it up to normal operating temperature.
2. Select "SELF-LEARNING CONT" in "WORK SUPPORT" mode with CONSULT-II.
3. Clear the self-learning control coefficient by touching "CLEAR".
4. Run engine for at least 10 minutes at idle speed.  
**Is the 1st trip DTC P0172 or P0175 detected?**  
**Is it difficult to start engine?**



**Without CONSULT-II**

1. Start engine and warm it up to normal operating temperature.
2. Turn ignition switch "OFF".
3. Disconnect mass air flow sensor harness connector, and restart and run engine for at least 5 seconds at idle speed.
4. Stop engine and reconnect mass air flow sensor harness connector.
5. Make sure DTC P0102 is displayed.
6. Erase the DTC memory. Refer to [EC-69. "HOW TO ERASE EMISSION-RELATED DIAGNOSTIC INFORMATION"](#).
7. Make sure DTC P0000 is displayed.
8. Run engine for at least 10 minutes at idle speed.  
**Is the 1st trip DTC P0172 or P0175 detected?**  
**Is it difficult to start engine?**



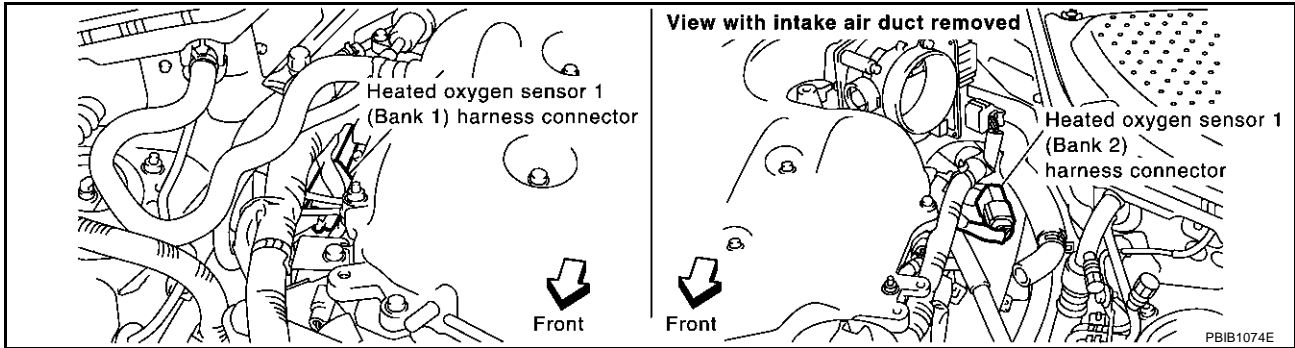
**Yes or No**

- Yes >> Perform trouble diagnosis for DTC P0172 or P0175. Refer to [EC-269](#).
- No >> GO TO 4.

A  
EC  
C  
D  
E  
F  
G  
H  
I  
J  
K  
L  
M

#### 4. CHECK HO2S1 CONNECTOR FOR WATER

1. Turn ignition switch "OFF".
2. Disconnect heated oxygen sensor 1 harness connector.



3. Check connectors for water.

**Water should not exist.**

OK or NG

- OK >> GO TO 5.
- NG >> Repair or replace harness or connectors.

#### 5. CHECK HEATED OXYGEN SENSOR 1 HEATER

Refer to [EC-158, "Component Inspection"](#) .

OK or NG

- OK >> GO TO 6.
- NG >> Replace malfunctioning heated oxygen sensor 1.

#### 6. CHECK HEATED OXYGEN SENSOR 1

Refer to [EC-446, "Component Inspection"](#) .

OK or NG

- OK >> GO TO 7.
- NG >> Replace malfunctioning heated oxygen sensor 1.

#### 7. CHECK INTERMITTENT INCIDENT

Refer to [EC-137, "TROUBLE DIAGNOSIS FOR INTERMITTENT INCIDENT"](#) .

For circuit, refer to [EC-209, "Wiring Diagram"](#) .

>> INSPECTION END

### Component Inspection HEATED OXYGEN SENSOR 1

ABS0012J

Ⓟ With CONSULT-II

1. Start engine and warm it up to normal operating temperature.
2. Select "MANU TRIG" and adjust "TRIGGER POINT" to 100% in "DATA MONITOR" mode with CONSULT-II.
3. Select "HO2S1 (B1)" and "HO2S1 MNTR (B1)".
4. Hold engine speed at 2,000 rpm under no load during the following steps.

# DTC P1144, P1164 HO2S1

5. Touch "RECORD" on CONSULT-II screen.

DATA MONITOR	
MONITOR	NO DTC
ENG SPEED	XXX rpm
MAS A/F SE-B1	XXX V
COOLAN TEMP/S	XXX °C
HO2S1 (B1)	XXX V
HO2S1 MNTR (B1)	LEAN

SEF646Y

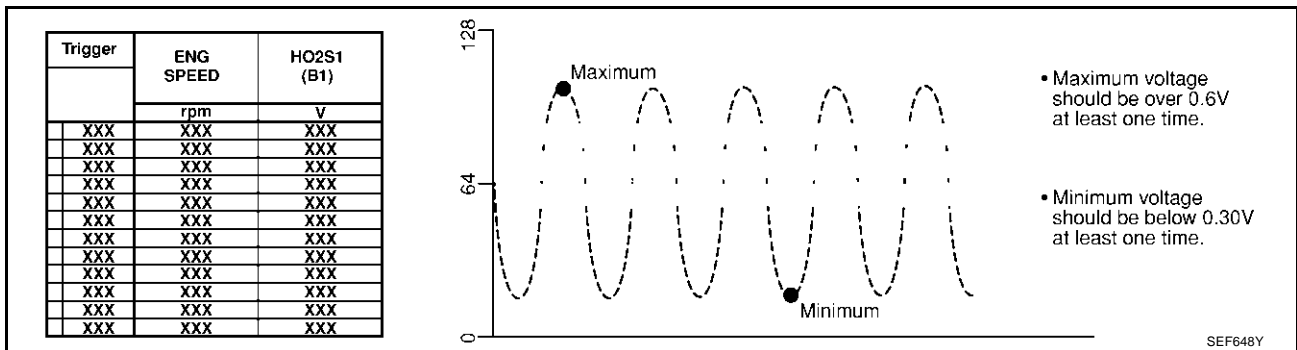
6. Check the following.

- "HO2S1 MNTR (B1)/(B2)" in "DATA MONITOR" mode changes from "RICH" to "LEAN" to "RICH" more than 5 times in 10 seconds.  
5 times (cycles) are counted as shown at right.
- "HO2S1 (B1)/(B2)" voltage goes above 0.6V at least once.
- "HO2S1 (B1)/(B2)" voltage goes below 0.3V at least once.
- "HO2S1 (B1)/(B2)" voltage never exceeds 1.0V.

Bank 1	cycle	1   2   3   4   5
	HO2S1 MNTR (B1)	R-L-R-L-R-L-R-L-R-L-R
Bank 2	cycle	1   2   3   4   5
	HO2S1 MNTR (B2)	R-L-R-L-R-L-R-L-R-L-R

R means HO2S1  
MNTR (B1)/(B2) indicates RICH  
L means HO2S1  
MNTR (B1)/(B2) indicates LEAN

SEF647Y



### CAUTION:

- Discard any heated oxygen sensor which has been dropped from a height of more than 0.5 m (19.7 in) onto a hard surface such as a concrete floor; use a new one.
- Before installing new oxygen sensor, clean exhaust system threads using Oxygen Sensor Thread Cleaner tool J-43897-18 or J-43897-12 and approved anti-seize lubricant.

### Without CONSULT-II

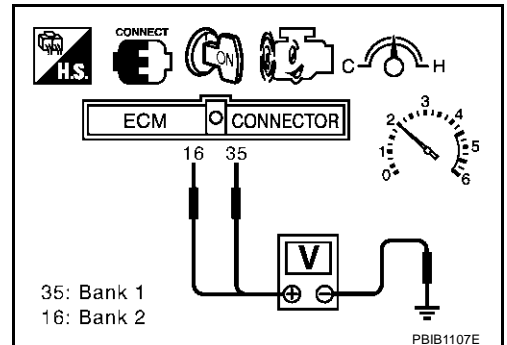
1. Start engine and warm it up to normal operating temperature.
2. Set voltmeter probes between ECM terminal 35 [HO2S1 (B1) signal] or 16 [HO2S1 (B2) signal] and engine ground.
3. Check the following with engine speed held at 2,000 rpm constant under no load.

- The voltage fluctuates between 0 to 0.3V and 0.6 to 1.0V more than 5 times within 10 seconds.
- The maximum voltage is over 0.6V at least one time.
- The minimum voltage is below 0.3V at least one time.
- The voltage never exceeds 1.0V.

1 time: 0 - 0.3V → 0.6 - 1.0V → 0 - 0.3V  
 2 times: 0 - 0.3V → 0.6 - 1.0V → 0 - 0.3V → 0.6 - 1.0V

### CAUTION:

- Discard any heated oxygen sensor which has been dropped from a height of more than 0.5 m (19.7 in) onto a hard surface such as a concrete floor; use a new one.



## DTC P1144, P1164 HO2S1

---

- Before installing new oxygen sensor, clean exhaust system threads using Oxygen Sensor Thread Cleaner tool J-43897-18 or J-43897-12 and approved anti-seize lubricant.

### Removal and Installation HEATED OXYGEN SENSOR 1

ABS0012K

Refer to [EM-23, "EXHAUST MANIFOLD AND THREE WAY CATALYST"](#) .



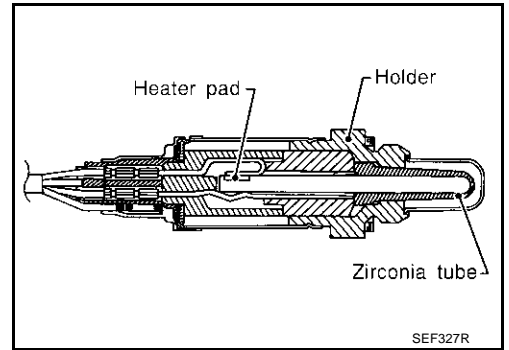
**DTC P1146, P1166 HO2S2**

PFP:226A0

**Component Description**

ABS0012L

The heated oxygen sensor 2, after three way catalyst 1, monitors the oxygen level in the exhaust gas on each bank. Even if switching characteristics of the heated oxygen sensor 1 are shifted, the air-fuel ratio is controlled to stoichiometric, by the signal from the heated oxygen sensor 2. This sensor is made of ceramic zirconia. The zirconia generates voltage from approximately 1V in richer conditions to 0V in leaner conditions. Under normal conditions the heated oxygen sensor 2 is not used for engine control operation.



**CONSULT-II Reference Value in Data Monitor Mode**

ABS0012M

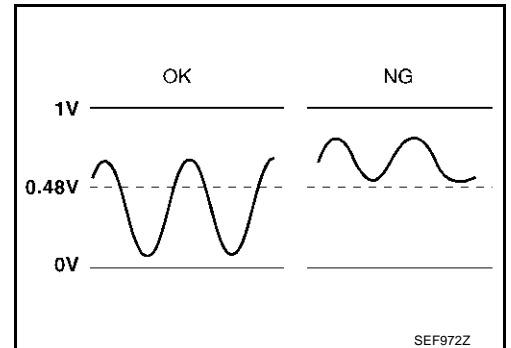
Specification data are reference values.

MONITOR ITEM	CONDITION		SPECIFICATION
HO2S2 (B1) HO2S2 (B2)	<ul style="list-style-type: none"> <li>● Warm-up condition</li> <li>● After keeping engine speed between 3,500 and 4,000 rpm for one minute and at idle for one minute under no load.</li> </ul>	Revving engine from idle to 3,000 rpm quickly.	0 - 0.3V ↔ Approx. 0.6 - 1.0V
HO2S2 MNTR (B1) HO2S2 MNTR (B2)			LEAN ↔ RICH

**On Board Diagnosis Logic**

ABS0012N

The heated oxygen sensor 2 has a much longer switching time between rich and lean than the heated oxygen sensor 1. The oxygen storage capacity of the three way catalyst causes the longer switching time. To judge the malfunctions of heated oxygen sensor 2, ECM monitors whether the minimum voltage of sensor is sufficiently low during the various driving condition such as fuel-cut.



DTC No.	Trouble diagnosis name	DTC detecting condition	Possible cause
P1146 1146 (Bank 1)	Heated oxygen sensor 2 minimum voltage monitoring	The minimum voltage from the sensor is not reached to the specified voltage.	<ul style="list-style-type: none"> <li>● Harness or connectors (The sensor circuit is open or shorted)</li> <li>● Heated oxygen sensor 2</li> <li>● Fuel pressure</li> <li>● Injectors</li> </ul>
P1166 1166 (Bank 2)			

## DTC Confirmation Procedure

### NOTE:

If “DTC confirmation Procedure” has been previously conducted, always turn ignition switch “OFF” and wait at least 10 seconds before conducting the next test.

### WITH CONSULT-II

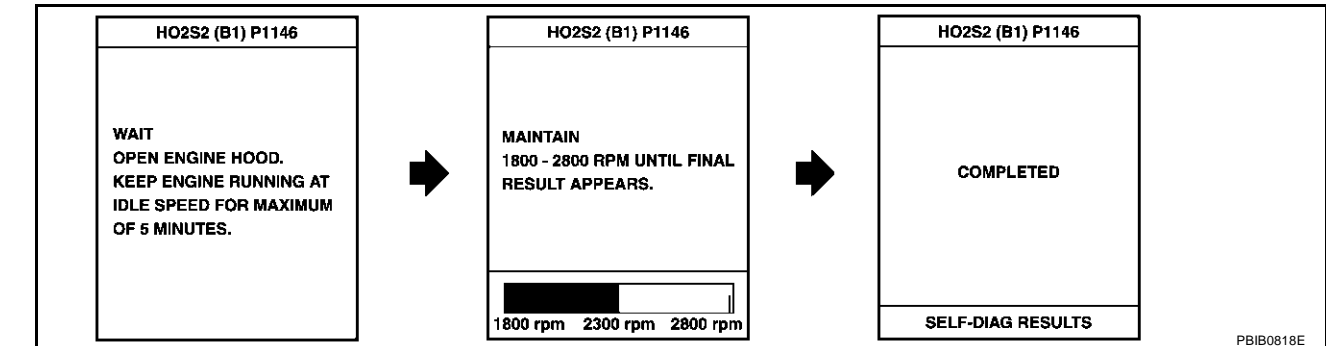
#### TESTING CONDITION:

**For better results, perform “DTC WORK SUPPORT” at a temperature of 0 to 30 °C (32 to 86 °F).**

1. Turn ignition switch “ON” and select “DATA MONITOR” mode with CONSULT-II.
2. Start engine and warm it up to the normal operating temperature.
3. Turn ignition switch “OFF” and wait at least 10 seconds.
4. Start engine and keep the engine speed between 3,500 and 4,000 rpm for at least one minute under no load.
5. Let engine idle for one minutes.
6. Make sure that “COOLAN TEMP/S” indicates more than 70°C (158°F).  
If not, warm up engine and go to next step when “COOLAN TEMP/S” indication reaches to 70°C (158°F).
7. Open engine hood.
8. Select “HO2S2 (B1) P1146” or “HO2S2 (B2) P1166” of “HO2S2” in “DTC WORK SUPPORT” mode with CONSULT-II.
9. Start engine and following the instruction of CONSULT-II.

DATA MONITOR	
MONITOR	NO DTC
ENG SPEED	XXX rpm
COOLAN TEMP/S	XXX °C

SEF174Y



10. Make sure that “OK” is displayed after touching “SELF-DIAG RESULTS”.  
If “NG” is displayed, refer to [EC-455, "Diagnostic Procedure"](#).  
If “CAN NOT BE DIAGNOSED” is displayed, perform the following.
  - a. Turn ignition switch “OFF” and leave the vehicle in a cool place (soak the vehicle).
  - b. Return to step 1.

## Overall Function Check

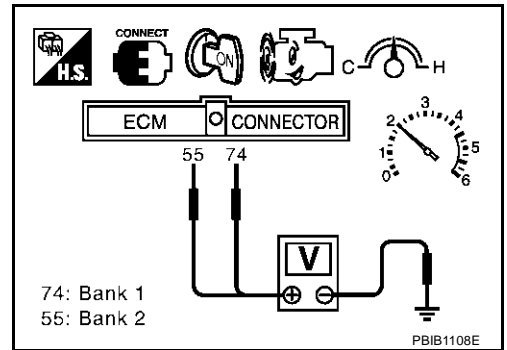
Use this procedure to check the overall function of the heated oxygen sensor 2 circuit. During this check, a DTC might not be confirmed.

### WITH GST

1. Start engine and warm it up to the normal operating temperature.
2. Turn ignition switch “OFF” and wait at least 10 seconds.
3. Start engine and keep the engine speed between 3,500 and 4,000 rpm for at least one minute under no load.
4. Let engine idle for one minutes.
5. Set voltmeter probes between ECM terminal 74 [HO2S2 (B1) signal] or 55 [HO2S2 (B2) signal] and engine ground.

## DTC P1146, P1166 HO2S2

6. Check the voltage when revving up to 4,000 rpm under no load at least 10 times.  
(Depress and release accelerator pedal as soon as possible.)  
**The voltage should be below 0.48V at least once during this procedure.**  
**If the voltage can be confirmed in step 6, step 7 is not necessary.**
7. Keep vehicle at idling for 10 minutes, then check the voltage. Or check the voltage when coasting from 80 km/h (50 MPH) in "D" position (A/T), 4th gear (M/T).  
**The voltage should be below 0.48V at least once during this procedure.**
8. If NG, go to [EC-455, "Diagnostic Procedure"](#) .



A

EC

C

D

E

F

G

H

I

J

K

L

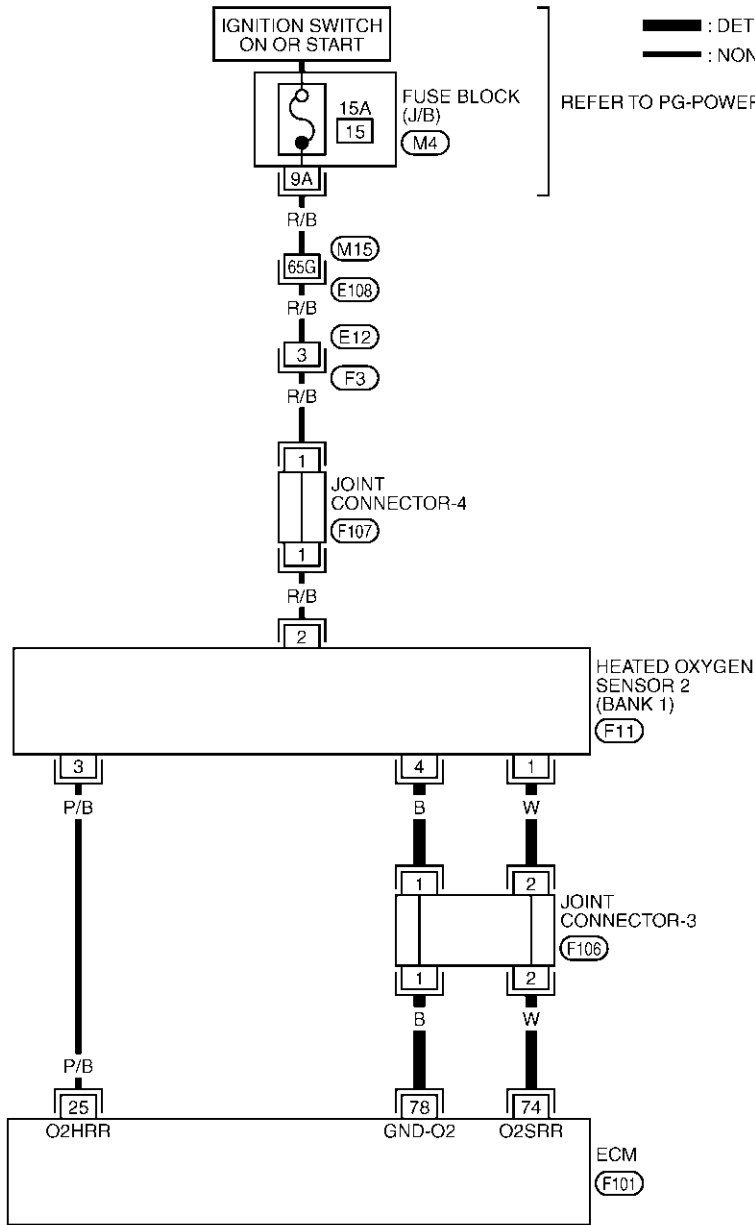
M

# DTC P1146, P1166 HO2S2

ABS002ZW

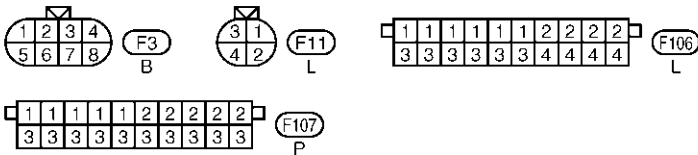
## Wiring Diagram BANK 1

### EC-O2S2B1-01



— : DETECTABLE LINE FOR DTC  
 — : NON-DETECTABLE LINE FOR DTC

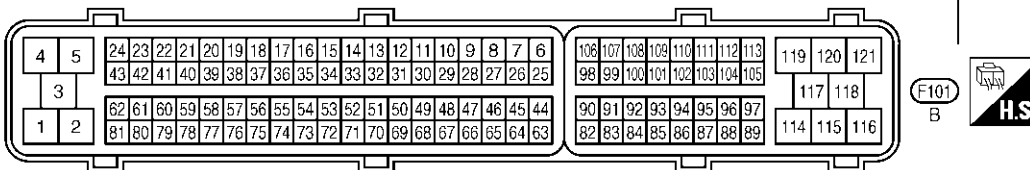
REFER TO PG-POWER.



REFER TO THE FOLLOWING.

(E108) -SUPER MULTIPLE JUNCTION (SMJ)

(M4) -FUSE BLOCK-JUNCTION BOX (J/B)



TBWT0205E

## DTC P1146, P1166 HO2S2

Specification data are reference values and are measured between each terminal and ground.

**CAUTION:**

**Do not use ECM ground terminals when measuring input/output voltage. Doing so may result in damage to the ECM's transistor. Use a ground other than ECM terminals, such as the ground.**

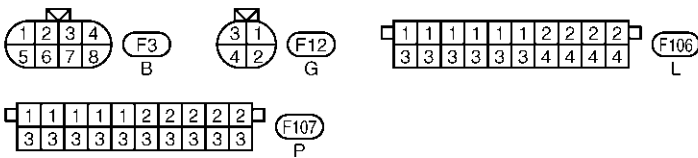
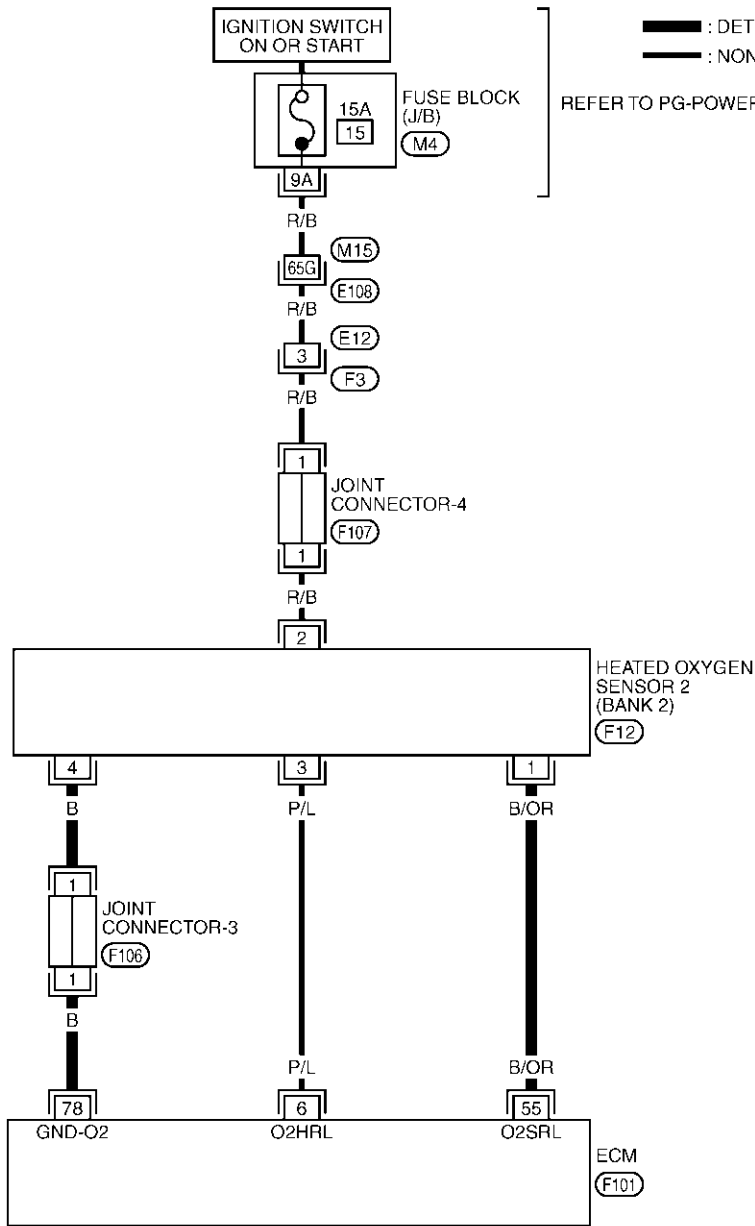
TER-MINAL NO.	WIRE COLOR	ITEM	CONDITION	DATA (DC Voltage)
74	W	Heated oxygen sensor 2 (bank 1)	<p><b>[Engine is running]</b></p> <ul style="list-style-type: none"> <li>● <b>Warm-up condition</b></li> <li>● Revving engine from idle to 3,000 rpm quickly after the following conditions are met.</li> <li>– After keeping the engine speed between 3,500 and 4,000 rpm for one minute and at idle for one minute under no load.</li> </ul>	0 - Approximately 1.0V
78	B	Sensors' ground (Heated oxygen sensor)	<p><b>[Engine is running]</b></p> <ul style="list-style-type: none"> <li>● <b>Warm-up condition</b></li> <li>● Idle speed</li> </ul>	Approximately 0V

A  
EC  
C  
D  
E  
F  
G  
H  
I  
J  
K  
L  
M

# DTC P1146, P1166 HO2S2

**BANK 2**

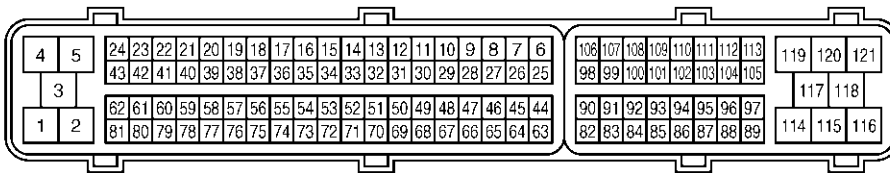
**EC-O2S2B2-01**



REFER TO THE FOLLOWING.

**E108** -SUPER MULTIPLE JUNCTION (SMJ)

**M4** -FUSE BLOCK-JUNCTION BOX (J/B)



TBWT0206E

# DTC P1146, P1166 HO2S2

Specification data are reference values and are measured between each terminal and ground.

**CAUTION:**

**Do not use ECM ground terminals when measuring input/output voltage. Doing so may result in damage to the ECM's transistor. Use a ground other than ECM terminals, such as the ground.**

TER-MINAL NO.	WIRE COLOR	ITEM	CONDITION	DATA (DC Voltage)
55	B/OR	Heated oxygen sensor 2 (bank 2)	<p><b>[Engine is running]</b></p> <ul style="list-style-type: none"> <li>● <b>Warm-up condition</b></li> <li>● Revving engine from idle to 3,000 rpm quickly after the following conditions are met.</li> <li>- After keeping the engine speed between 3,500 and 4,000 rpm for one minute and at idle for one minute under no load.</li> </ul>	0 - Approximately 1.0V
78	B	Sensors' ground (Heated oxygen sensor)	<p><b>[Engine is running]</b></p> <ul style="list-style-type: none"> <li>● <b>Warm-up condition</b></li> <li>● Idle speed</li> </ul>	Approximately 0V

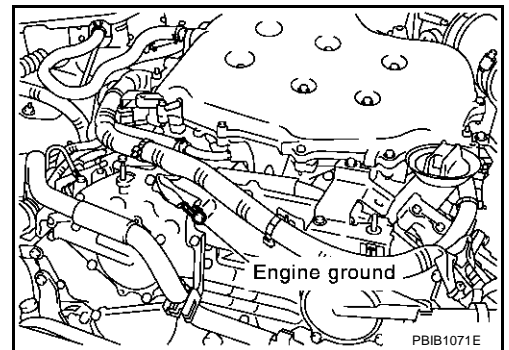
## Diagnostic Procedure

ABS0012R

### 1. RETIGHTEN GROUND SCREWS

1. Turn ignition switch "OFF".
2. Loosen and retighten engine ground screws.

>> GO TO 2.

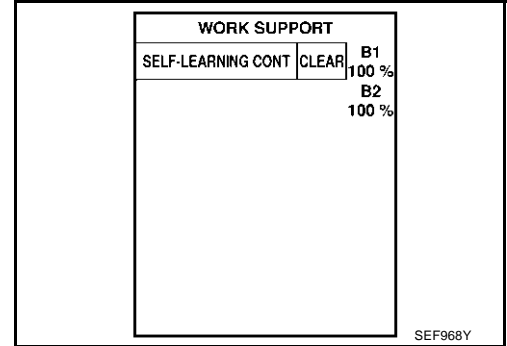


PBIB1071E

## 2. CLEAR THE SELF-LEARNING DATA

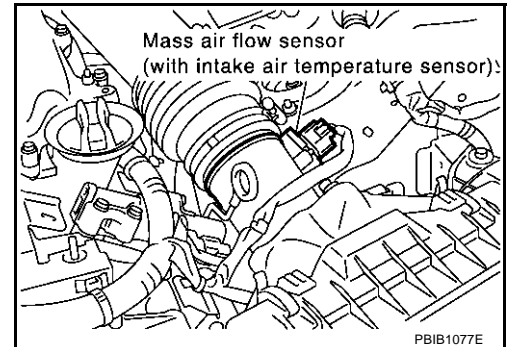
### ☐ With CONSULT-II

1. Start engine and warm it up to normal operating temperature.
2. Select "SELF-LEARNING CONT" in "WORK SUPPORT" mode with CONSULT-II.
3. Clear the self-learning control coefficient by touching "CLEAR".
4. Run engine for at least 10 minutes at idle speed.  
**Is the 1st trip DTC P0172 or P0175 detected?  
Is it difficult to start engine?**



### ⊗ Without CONSULT-II

1. Start engine and warm it up to normal operating temperature.
2. Turn ignition switch "OFF".
3. Disconnect mass air flow sensor harness connector, and restart and run engine for at least 5 seconds at idle speed.
4. Stop engine and reconnect mass air flow sensor harness connector.
5. Make sure DTC P0102 is displayed.
6. Erase the DTC memory. Refer to [EC-69, "HOW TO ERASE EMISSION-RELATED DIAGNOSTIC INFORMATION"](#).
7. Make sure DTC P0000 is displayed.
8. Run engine for at least 10 minutes at idle speed.  
**Is the 1st trip DTC P0172 or P0175 detected?  
Is it difficult to start engine?**



#### Yes or No

- Yes >> Perform trouble diagnosis for DTC P0172, P0175. Refer to [EC-269](#).  
No >> GO TO 3.

## 3. CHECK HO2S2 GROUND CIRCUIT FOR OPEN AND SHORT

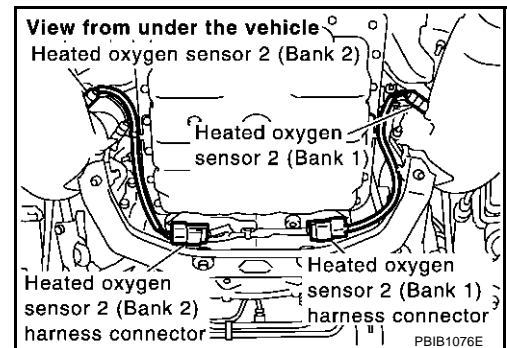
1. Turn ignition switch "OFF".
2. Disconnect heated oxygen sensor 2 harness connector.
3. Check harness continuity between HO2S2 terminal 4 and engine ground.  
Refer to Wiring Diagram.

**Continuity should exist.**

4. Also check harness for short to ground or short to power.

#### OK or NG

- OK >> GO TO 5.  
NG >> GO TO 4.



## 4. DETECT MALFUNCTIONING PART

Check the following.

- Joint connector-3
- Harness for open or short between HO2S2 and engine ground

>> Repair open circuit or short to ground or short to power in harness or connectors.



# DTC P1146, P1166 HO2S2

## 5. CHECK HO2S2 INPUT SIGNAL CIRCUIT FOR OPEN AND SHORT

1. Disconnect ECM harness connector.
2. Check harness continuity between ECM terminal and HO2S2 terminal as follows.  
Refer to Wiring Diagram.

DTC	Terminals		Bank
	ECM	Sensor	
P1146	74	1	1
P1166	55	1	2

**Continuity should exist.**

3. Check harness continuity between the following terminals and ground.  
Refer to Wiring Diagram.

DTC	Terminals		Bank
	ECM	Sensor	
P1146	74	1	1
P1166	55	1	2

**Continuity should not exist.**

4. Also check harness for short to ground or short to power.

OK or NG

- OK >> GO TO 7.
- NG >> GO TO 6.

## 6. DETECT MALFUNCTIONING PART

Check the following.

- Joint connector-3
- Harness for open or short between HO2S2 and ECM

>> Repair open circuit or short to ground or short to power in harness or connectors.

## 7. CHECK HEATED OXYGEN SENSOR 2

Refer to [EC-458, "Component Inspection"](#) .

OK or NG

- OK >> GO TO 8.
- NG >> Replace malfunctioning heated oxygen sensor 2.

## 8. CHECK INTERMITTENT INCIDENT

Refer to [EC-137, "TROUBLE DIAGNOSIS FOR INTERMITTENT INCIDENT"](#) .

>> **INSPECTION END**

## Component Inspection HEATED OXYGEN SENSOR 2

### ④ With CONSULT-II

1. Turn ignition switch "ON" and select "DATA MONITOR" mode with CONSULT-II.
2. Start engine and warm it up to the normal operating temperature.
3. Turn ignition switch "OFF" and wait at least 10 seconds.
4. Start engine and keep the engine speed between 3,500 and 4,000 rpm for at least one minute under no load.
5. Let engine idle for one minutes.

DATA MONITOR	
MONITOR	NO DTC
ENG SPEED	XXX rpm
COOLAN TEMP/S	XXX °C

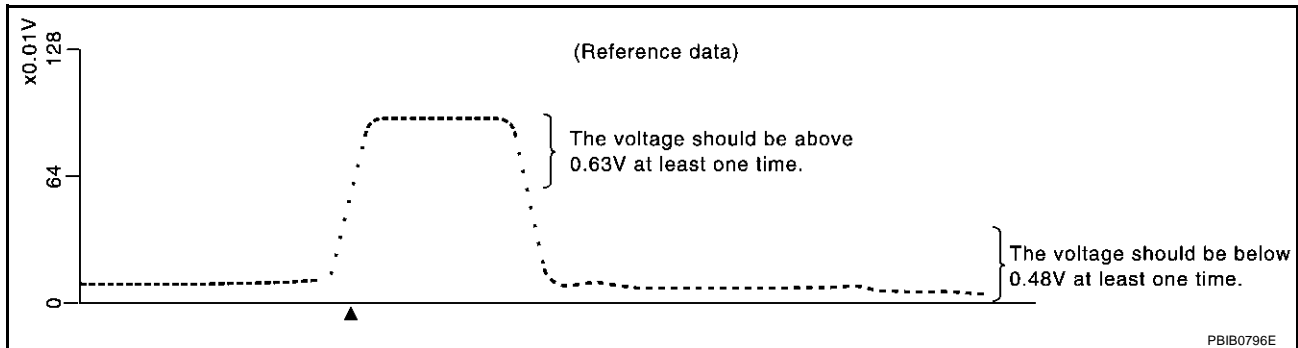
SEF174Y

6. Select "FUEL INJECTION" in "ACTIVE TEST" mode, and select "HO2S2 (B1)/(B2)" as the monitor item with CONSULT-II.

ACTIVE TEST	
FUEL INJECTION	25 %
MONITOR	
ENG SPEED	XXX rpm
HO2S1 (B1)	XXX V
HO2S2 (B1)	XXX V
HO2S1 MNTR (B1)	RICH
HO2S2 MNTR (B1)	RICH

SEF662Y

7. Check "HO2S2 (B1)/(B2)" at idle speed when adjusting "FUEL INJECTION" to  $\pm 25\%$ .



"HO2S2 (B1)/(B2)" should be above 0.63V at least once when the "FUEL INJECTION" is +25%.  
 "HO2S2 (B1)/(B2)" should be below 0.48V at least once when the "FUEL INJECTION" is -25%.

### CAUTION:

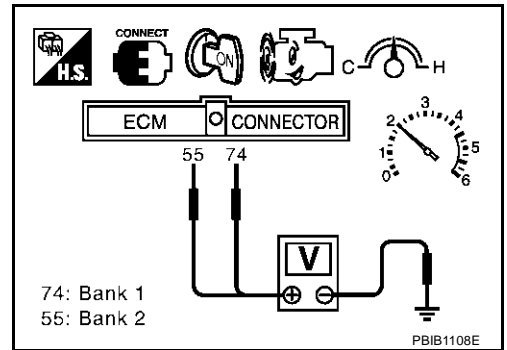
- Discard any heated oxygen sensor which has been dropped from a height of more than 0.5 m (19.7 in) onto a hard surface such as a concrete floor; use a new one.
- Before installing new oxygen sensor, clean exhaust system threads using Oxygen Sensor Thread Cleaner tool J-43897-18 or J-43897-12 and approved anti-seize lubricant.

### ⊗ Without CONSULT-II

1. Start engine and warm it up to the normal operating temperature.
2. Turn ignition switch "OFF" and wait at least 10 seconds.
3. Start engine and keep the engine speed between 3,500 and 4,000 rpm for at least one minute under no load.
4. Let engine idle for one minutes.
5. Set voltmeter probes between ECM terminal 74 [HO2S2 (B1) signal] or 55 [HO2S2 (B2) signal] and engine ground.

## DTC P1146, P1166 HO2S2

6. Check the voltage when revving up to 4,000 rpm under no load at least 10 times.  
(Depress and release accelerator pedal as soon as possible.)  
**The voltage should be above 0.63V at least once during this procedure.**  
**If the voltage is above 0.63V at step 6, step 7 is not necessary.**
7. Keep vehicle at idling for 10 minutes, then check voltage. Or check the voltage when coasting from 80 km/h (50 MPH) in "D" position (A/T), 4th gear position (M/T).  
**The voltage should be below 0.48V at least once during this procedure.**
8. If NG, replace heated oxygen sensor 2.



### CAUTION:

- Discard any heated oxygen sensor which has been dropped from a height of more than 0.5 m (19.7 in) onto a hard surface such as a concrete floor; use a new one.
- Before installing new oxygen sensor, clean exhaust system threads using Oxygen Sensor Thread Cleaner tool J-43897-18 or J-43897-12 and approved anti-seize lubricant.

### Removal and Installation HEATED OXYGEN SENSOR 2

ABS0012T

Refer to [EM-23. "EXHAUST MANIFOLD AND THREE WAY CATALYST"](#) .

**DTC P1147, P1167 HO2S2**

**Component Description**

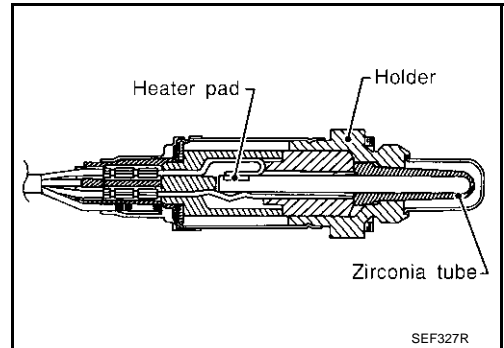
ABS0012U

The heated oxygen sensor 2, after three way catalyst 1, monitors the oxygen level in the exhaust gas on each bank.

Even if switching characteristics of the heated oxygen sensor 1 are shifted, the air-fuel ratio is controlled to stoichiometric, by the signal from the heated oxygen sensor 2.

This sensor is made of ceramic zirconia. The zirconia generates voltage from approximately 1V in richer conditions to 0V in leaner conditions.

Under normal conditions the heated oxygen sensor 2 is not used for engine control operation.



**CONSULT-II Reference Value in Data Monitor Mode**

ABS0012V

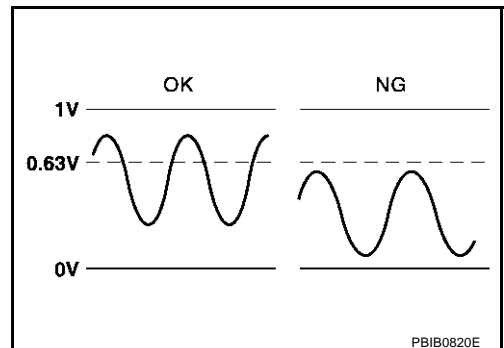
Specification data are reference values.

MONITOR ITEM	CONDITION		SPECIFICATION
HO2S2 (B1) HO2S2 (B2)	<ul style="list-style-type: none"> <li>● Warm-up condition</li> <li>● After keeping engine speed between 3,500 and 4,000 rpm for one minute and at idle for one minute under no load.</li> </ul>	Revsing engine from idle to 3,000 rpm quickly.	0 - 0.3V ↔ Approx. 0.6 - 1.0V
HO2S2 MNTR (B1) HO2S2 MNTR (B2)			LEAN ↔ RICH

**On Board Diagnosis Logic**

ABS0012W

The heated oxygen sensor 2 has a much longer switching time between rich and lean than the heated oxygen sensor 1. The oxygen storage capacity before the three way catalyst causes the longer switching time. To judge the malfunctions of heated oxygen sensor 2, ECM monitors whether the maximum voltage of the sensor is sufficiently high during the various driving condition such as fuel-cut.



DTC No.	Trouble diagnosis name	DTC detecting condition	Possible cause
P1147 1147 (Bank 1)	Heated oxygen sensor 2 maximum voltage monitoring	The maximum voltage from the sensor is not reached to the specified voltage.	<ul style="list-style-type: none"> <li>● Harness or connectors (The sensor circuit is open or shorted)</li> <li>● Heated oxygen sensor 2</li> <li>● Fuel pressure</li> <li>● Injectors</li> <li>● Intake air leaks</li> </ul>
P1167 1167 (Bank 2)			

# DTC P1147, P1167 HO2S2

ABS0012X

## DTC Confirmation Procedure

### NOTE:

If "DTC confirmation Procedure" has been previously conducted, always turn ignition switch OFF" and wait at least 10 seconds before conducting the next test.

### WITH CONSULT-II

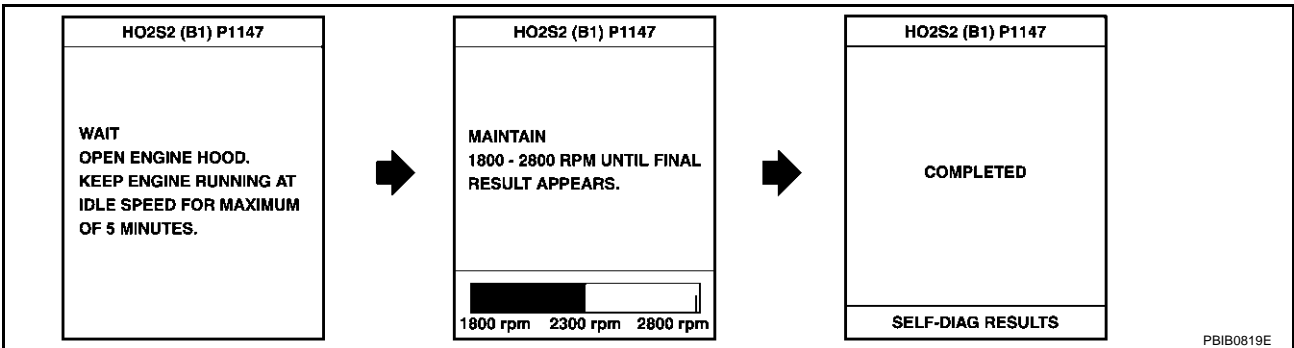
#### TESTING CONDITION:

For better results, perform "DTC WORK SUPPORT" at a temperature of 0 to 30 °C (32 to 86 °F).

1. Turn ignition switch "ON" and select "DATA MONITOR" mode with CONSULT-II.
2. Start engine and warm it up to the normal operating temperature.
3. Turn ignition switch "OFF" and wait at least 10 seconds.
4. Start engine and keep the engine speed between 3,500 and 4,000 rpm for at least one minute under no load.
5. Let engine idle for one minutes.
6. Make sure that "COOLAN TEMP/S" indicates more than 70°C (158°F).  
If not, warm up engine and go to next step when "COOLAN TEMP/S" indication reaches to 70°C (158°F).
7. Open engine hood.
8. Select "HO2S2 (B1) P1147" or "HO2S2 (B2) P1167" of "HO2S2" in "DTC WORK SUPPORT" mode with CONSULT-II.
9. Start engine and following the instruction of CONSULT-II.

DATA MONITOR	
MONITOR	NO DTC
ENG SPEED	XXX rpm
COOLAN TEMP/S	XXX °C

SEF174Y



10. Make sure that "OK" is displayed after touching "SELF-DIAG RESULTS".  
If "NG" is displayed, refer to [EC-466, "Diagnostic Procedure"](#).  
If "CAN NOT BE DIAGNOSED" is displayed, perform the following.
  - a. Turn ignition switch "OFF" and leave the vehicle in a cool place (soak the vehicle).
  - b. Return to step 1.

## Overall Function Check

ABS0012Y

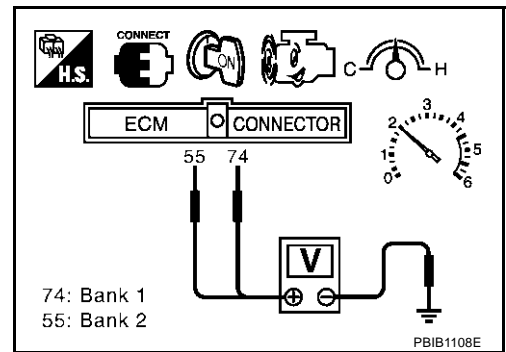
Use this procedure to check the overall function of the heated oxygen sensor 2 circuit. During this check, a DTC might not be confirmed.

### WITH GST

1. Start engine and warm it up to the normal operating temperature.
2. Turn ignition switch "OFF" and wait at least 10 seconds.
3. Start engine and keep the engine speed between 3,500 and 4,000 rpm for at least one minute under no load.
4. Let engine idle for one minutes.
5. Set voltmeter probes between ECM terminal 74 [HO2S2 (B1) signal] or 55 [HO2S2 (B2) signal] and engine ground.

## DTC P1147, P1167 HO2S2

6. Check the voltage when revving up to 4,000 rpm under no load at least 10 times.  
(Depress and release accelerator pedal as soon as possible.)  
**The voltage should be above 0.63V at least once during this procedure.**  
**If the voltage can be confirmed in step 6, step 7 is not necessary.**
7. Keep vehicle at idling for 10 minutes, then check the voltage. Or check the voltage when coasting from 80 km/h (50 MPH) in "D" position (A/T), 4th gear position (M/T).  
**The voltage should be above 0.63V at least once during this procedure.**
8. If NG, go to [EC-466, "Diagnostic Procedure"](#) .

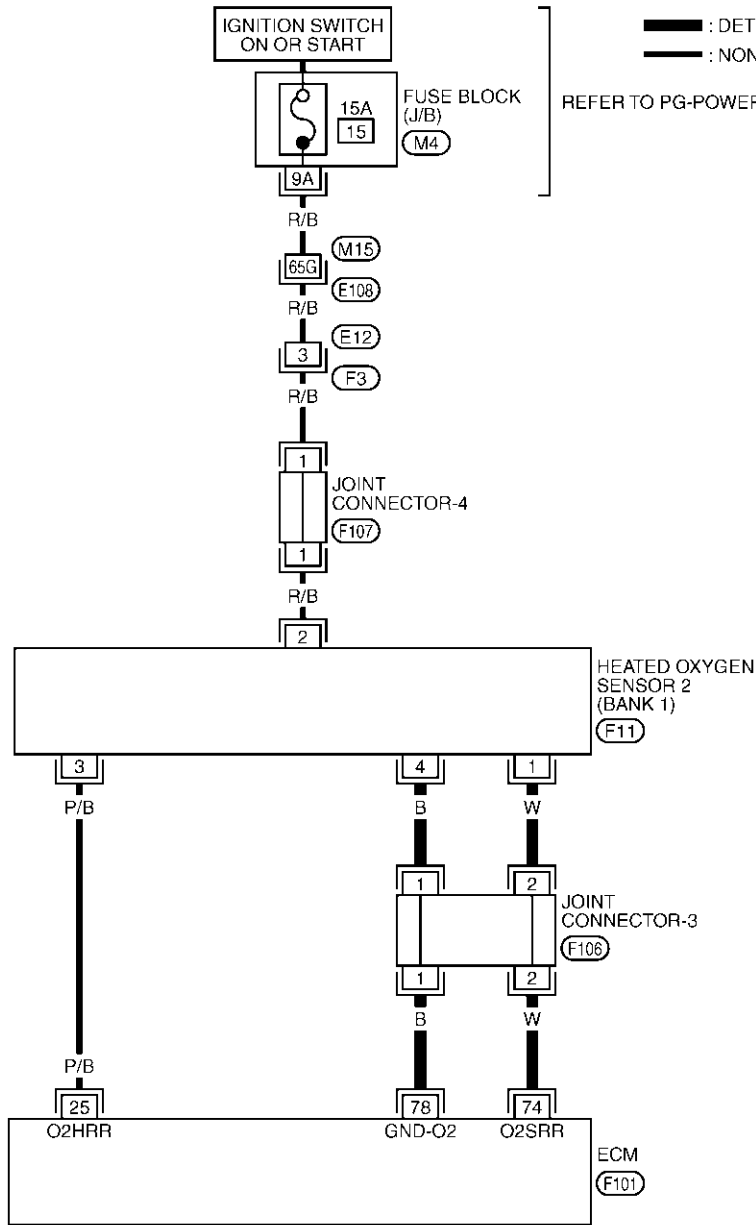


# DTC P1147, P1167 HO2S2

ABS002ZX

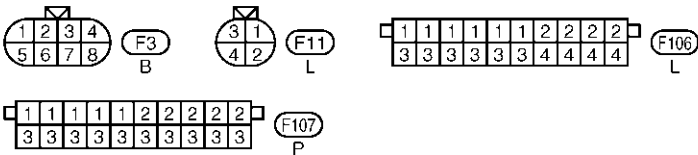
## Wiring Diagram BANK 1

EC-O2S2B1-01



— : DETECTABLE LINE FOR DTC  
 — : NON-DETECTABLE LINE FOR DTC

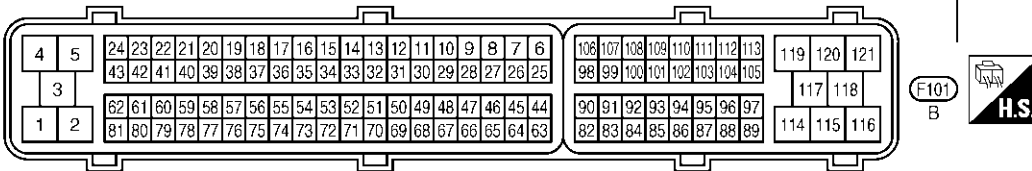
REFER TO PG-POWER.



REFER TO THE FOLLOWING.

(E108) -SUPER MULTIPLE JUNCTION (SMJ)

(M4) -FUSE BLOCK-JUNCTION BOX (J/B)



TBWT0205E

## DTC P1147, P1167 HO2S2

Specification data are reference values and are measured between each terminal and ground.

**CAUTION:**

**Do not use ECM ground terminals when measuring input/output voltage. Doing so may result in damage to the ECM's transistor. Use a ground other than ECM terminals, such as the ground.**

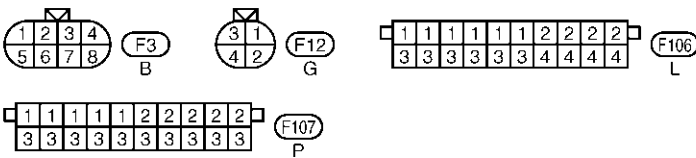
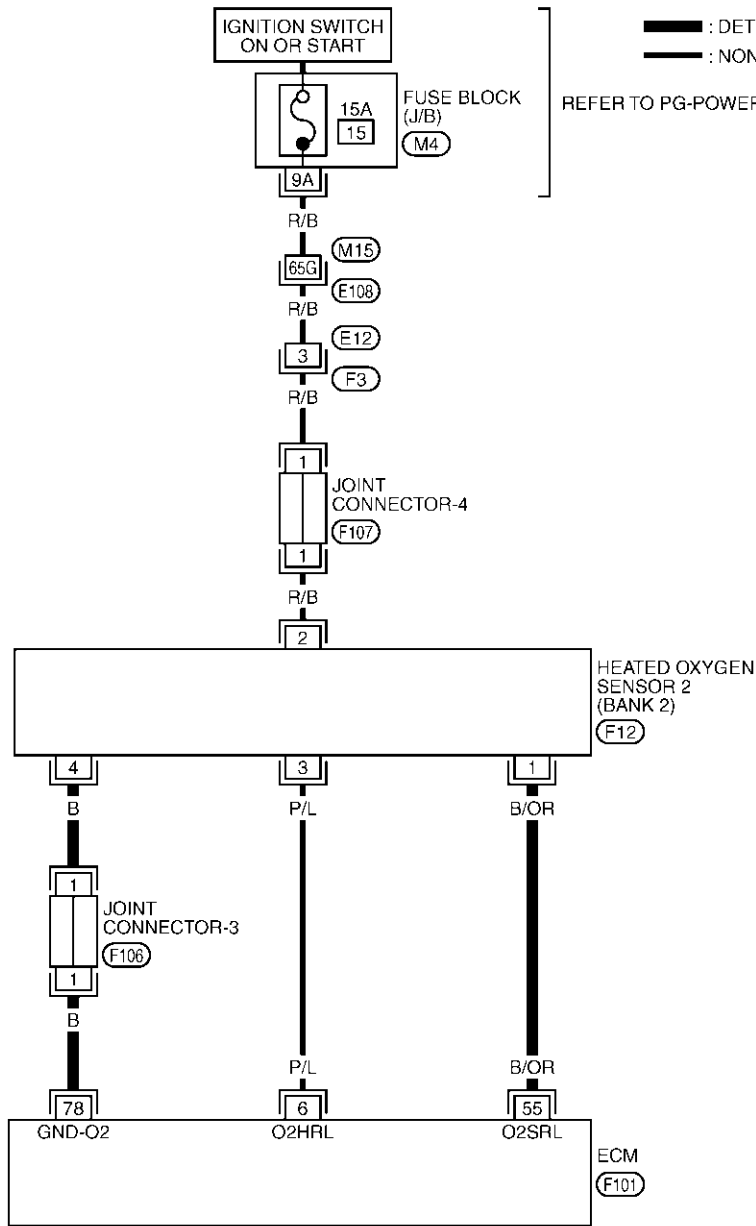
TER-MINAL NO.	WIRE COLOR	ITEM	CONDITION	DATA (DC Voltage)
74	W	Heated oxygen sensor 2 (bank 1)	<b>[Engine is running]</b> <ul style="list-style-type: none"><li>● <b>Warm-up condition</b></li><li>● Revving engine from idle to 3,000 rpm quickly after the following conditions are met.</li><li>– After keeping the engine speed between 3,500 and 4,000 rpm for one minute and at idle for one minute under no load.</li></ul>	0 - Approximately 1.0V
78	B	Sensors' ground (Heated oxygen sensor)	<b>[Engine is running]</b> <ul style="list-style-type: none"><li>● <b>Warm-up condition</b></li><li>● Idle speed</li></ul>	Approximately 0V



# DTC P1147, P1167 HO2S2

**BANK 2**

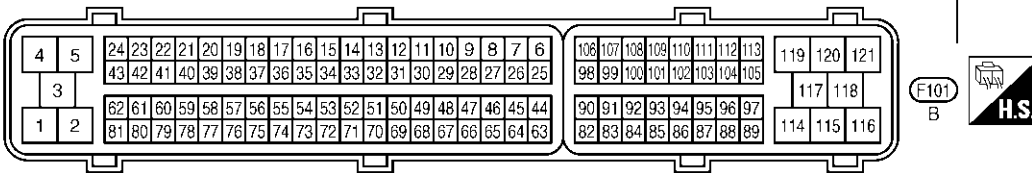
**EC-O2S2B2-01**



REFER TO THE FOLLOWING.

(E108) -SUPER MULTIPLE JUNCTION (SMJ)

(M4) -FUSE BLOCK-JUNCTION BOX (J/B)



TBWT0206E

## DTC P1147, P1167 HO2S2

Specification data are reference values and are measured between each terminal and ground.

### CAUTION:

Do not use ECM ground terminals when measuring input/output voltage. Doing so may result in damage to the ECM's transistor. Use a ground other than ECM terminals, such as the ground.

TER-MINAL NO.	WIRE COLOR	ITEM	CONDITION	DATA (DC Voltage)
55	B/OR	Heated oxygen sensor 2 (bank 2)	<b>[Engine is running]</b> <ul style="list-style-type: none"><li>● Warm-up condition</li><li>● Revving engine from idle to 3,000 rpm quickly after the following conditions are met.</li><li>– After keeping the engine speed between 3,500 and 4,000 rpm for one minute and at idle for one minute under no load.</li></ul>	0 - Approximately 1.0V
78	B	Sensors' ground (Heated oxygen sensor)	<b>[Engine is running]</b> <ul style="list-style-type: none"><li>● Warm-up condition</li><li>● Idle speed</li></ul>	Approximately 0V

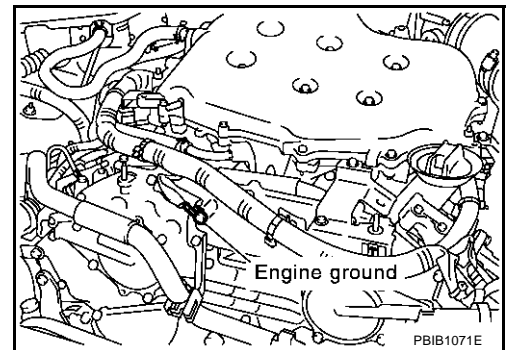
## Diagnostic Procedure

ABS00130

### 1. RETIGHTEN GROUND SCREWS

1. Turn ignition switch "OFF".
2. Loosen and retighten engine ground screws.

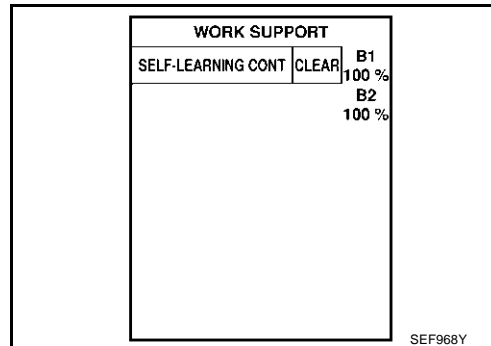
>> GO TO 2.



## 2. CLEAR THE SELF-LEARNING DATA

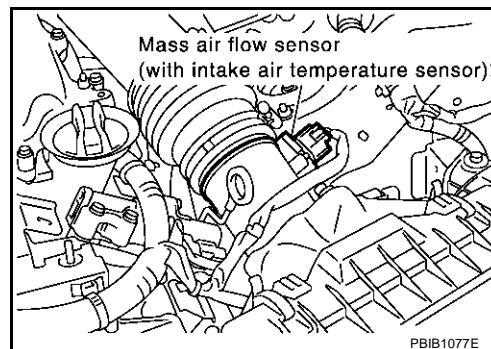
### With CONSULT-II

1. Start engine and warm it up to normal operating temperature.
2. Select "SELF-LEARNING CONT" in "WORK SUPPORT" mode with CONSULT-II.
3. Clear the self-learning control coefficient by touching "CLEAR".
4. Run engine for at least 10 minutes at idle speed.  
**Is the 1st trip DTC P0171 or P0174 detected?**  
**Is it difficult to start engine?**



### Without CONSULT-II

1. Start engine and warm it up to normal operating temperature.
2. Turn ignition switch "OFF".
3. Disconnect mass air flow sensor harness connector, and restart and run engine for at least 5 seconds at idle speed.
4. Stop engine and reconnect mass air flow sensor harness connector.
5. Make sure DTC P0102 is displayed.
6. Erase the DTC memory. Refer to [EC-69, "HOW TO ERASE EMISSION-RELATED DIAGNOSTIC INFORMATION"](#).
7. Make sure DTC P0000 is displayed.
8. Run engine for at least 10 minutes at idle speed.  
**Is the 1st trip DTC P0171 or P0174 detected?**  
**Is it difficult to start engine?**



#### Yes or No

- Yes >> Perform trouble diagnosis for DTC P0171 or P0174. Refer to [EC-260](#).
- No >> GO TO 3.

## 3. CHECK HO2S2 GROUND CIRCUIT FOR OPEN AND SHORT

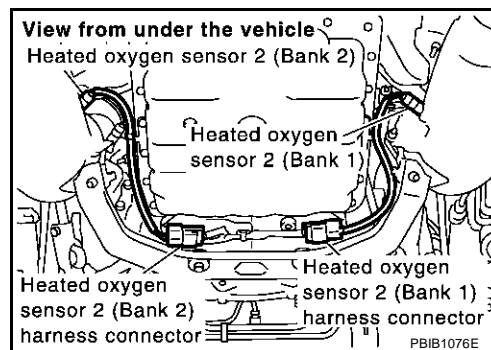
1. Turn ignition switch "OFF".
2. Disconnect heated oxygen sensor 2 harness connector.
3. Check harness continuity between HO2S2 terminal 4 and engine ground.  
Refer to Wiring Diagram.

**Continuity should exist.**

4. Also check harness for short to ground or short to power.

#### OK or NG

- OK >> GO TO 5.
- NG >> GO TO 4.



## 4. DETECT MALFUNCTIONING PART

Check the following.

- Joint connector-3
- Harness for open or short between HO2S2 and engine ground

>> Repair open circuit or short to ground or short to power in harness or connectors.

## DTC P1147, P1167 HO2S2

### 5. CHECK HO2S2 INPUT SIGNAL CIRCUIT FOR OPEN AND SHORT

1. Disconnect ECM harness connector.
2. Check harness continuity between ECM terminal and HO2S2 terminal as follows.  
Refer to Wiring Diagram.

DTC	Terminals		Bank
	ECM	Sensor	
P1147	74	1	1
P1167	55	1	2

**Continuity should exist.**

3. Check harness continuity between the following terminals and ground.  
Refer to Wiring Diagram.

DTC	Terminals		Bank
	ECM	Sensor	
P1147	74	1	1
P1167	55	1	2

**Continuity should not exist.**

4. Also check harness for short to ground or short to power.

OK or NG

- OK >> GO TO 7.
- NG >> GO TO 6.

### 6. DETECT MALFUNCTIONING PART

Check the following.

- Joint connector-3
- Harness for open or short between HO2S2 and ECM

>> Repair open circuit or short to ground or short to power in harness or connectors.

### 7. CHECK HEATED OXYGEN SENSOR 2

Refer to [EC-469, "Component Inspection"](#) .

OK or NG

- OK >> GO TO 8.
- NG >> Replace malfunctioning heated oxygen sensor 2.

### 8. CHECK INTERMITTENT INCIDENT

Refer to [EC-137, "TROUBLE DIAGNOSIS FOR INTERMITTENT INCIDENT"](#) .

>> **INSPECTION END**

**Component Inspection**  
**HEATED OXYGEN SENSOR 2**

**With CONSULT-II**

1. Turn ignition switch "ON" and select "DATA MONITOR" mode with CONSULT-II.
2. Start engine and warm it up to the normal operating temperature.
3. Turn ignition switch "OFF" and wait at least 10 seconds.
4. Start engine and keep the engine speed between 3,500 and 4,000 rpm for at least one minute under no load.
5. Let engine idle for one minutes.

DATA MONITOR	
MONITOR	NO DTC
ENG SPEED	XXX rpm
COOLAN TEMP/S	XXX °C

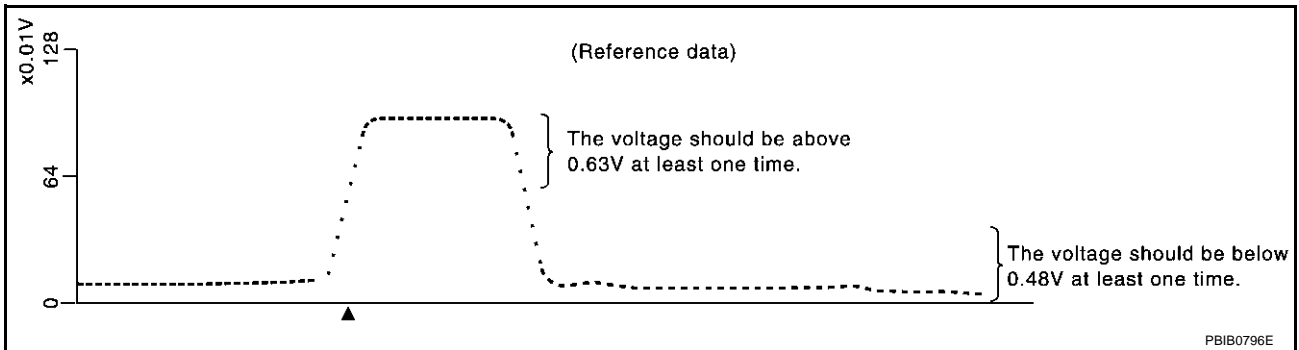
SEF174Y

6. Select "FUEL INJECTION" in "ACTIVE TEST" mode, and select "HO2S2 (B1)/(B2)" as the monitor item with CONSULT-II.

ACTIVE TEST	
FUEL INJECTION	25 %
MONITOR	
ENG SPEED	XXX rpm
HO2S1 (B1)	XXX V
HO2S2 (B1)	XXX V
HO2S1 MNTR (B1)	RICH
HO2S2 MNTR (B1)	RICH

SEF662Y

7. Check "HO2S2 (B1)/(B2)" at idle speed when adjusting "FUEL INJECTION" to ±25%.



"HO2S2 (B1)/(B2)" should be above 0.63V at least once when the "FUEL INJECTION" is +25%.  
 "HO2S2 (B1)/(B2)" should be below 0.48V at least once when the "FUEL INJECTION" is -25%.

**CAUTION:**

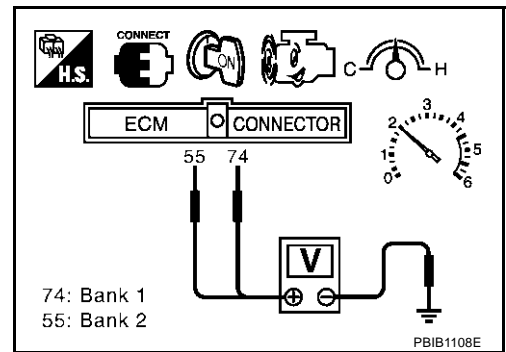
- Discard any heated oxygen sensor which has been dropped from a height of more than 0.5 m (19.7 in) onto a hard surface such as a concrete floor; use a new one.
- Before installing new oxygen sensor, clean exhaust system threads using Oxygen Sensor Thread Cleaner tool J-43897-18 or J-43897-12 and approved anti-seize lubricant.

**Without CONSULT-II**

1. Start engine and warm it up to the normal operating temperature.
2. Turn ignition switch "OFF" and wait at least 10 seconds.
3. Start engine and keep the engine speed between 3,500 and 4,000 rpm for at least one minute under no load.
4. Let engine idle for one minutes.
5. Set voltmeter probes between ECM terminal 74 [HO2S2 (B1) signal] or 55 [HO2S2 (B2) signal] and engine ground.

## DTC P1147, P1167 HO2S2

6. Check the voltage when revving up to 4,000 rpm under no load at least 10 times.  
(Depress and release accelerator pedal as soon as possible.)  
**The voltage should be above 0.63V at least once during this procedure.**  
**If the voltage is above 0.63V at step 6, step 7 is not necessary.**
7. Keep vehicle at idling for 10 minutes, then check voltage. Or check the voltage when coasting from 80 km/h (50 MPH) in "D" position (A/T), 4th gear position (M/T).  
**The voltage should be below 0.48V at least once during this procedure.**
8. If NG, replace heated oxygen sensor 2.



### CAUTION:

- Discard any heated oxygen sensor which has been dropped from a height of more than 0.5 m (19.7 in) onto a hard surface such as a concrete floor; use a new one.
- Before installing new oxygen sensor, clean exhaust system threads using Oxygen Sensor Thread Cleaner tool J-43897-18 or J-43897-12 and approved anti-seize lubricant.

### Removal and Installation HEATED OXYGEN SENSOR 2

ABS00132

Refer to [EM-23, "EXHAUST MANIFOLD AND THREE WAY CATALYST"](#) .

# DTC P1148, P1168 CLOSED LOOP CONTROL

## DTC P1148, P1168 CLOSED LOOP CONTROL

PFP:22690

### On Board Diagnosis Logic

ABS00133

These self-diagnoses have the one trip detection logic.

DTC No.	Trouble diagnosis name	DTC detecting condition	Possible cause
P1148 1148 (Bank 1)	Closed loop control function	The closed loop control function for bank 1 does not operate even when vehicle is driving in the specified condition.	<ul style="list-style-type: none"> <li>The heated oxygen sensor 1 circuit is open or shorted.</li> </ul>
P1168 1168 (Bank 2)		The closed loop control function for bank 2 does not operate even when vehicle is driving in the specified condition.	<ul style="list-style-type: none"> <li>Heated oxygen sensor 1</li> <li>Heated oxygen sensor heater</li> </ul>

### DTC Confirmation Procedure

ABS00134

#### CAUTION:

Always drive vehicle at a safe speed.

#### NOTE:

If "DTC Confirmation Procedure" has been previously conducted, always turn ignition switch "OFF" and wait at least 10 seconds before conducting the next test.

#### TESTING CONDITION:

- Never raise engine speed above 3,600 rpm during the "DTC Confirmation Procedure". If the engine speed limit is exceeded, retry the procedure from step 2.
- Before performing the following procedure, confirm that battery voltage is more than 11V at idle.

#### Ⓟ WITH CONSULT-II

- Start engine and warm it up to normal operating temperature.
- Select "DATA MONITOR" mode with CONSULT-II.
- Hold engine speed at 2,000 rpm and check one of the following.
  - "HO2S1 (B1)/(B2)" voltage should go above 0.70V at least once.
  - "HO2S1 (B1)/(B2)" voltage should go below 0.21V at least once. If the check result is NG, perform [EC-472, "Diagnostic Procedure"](#). If the check result is OK, perform the following step.
- Let engine idle at least 5 minutes.
- Maintain the following condition at least 50 consecutive seconds.

DATA MONITOR	
MONITOR	NO DTC
ENG SPEED	XXX rpm
COOLAN TEMP/S	XXX °C
HO2S1 (B1)	XXX V
HO2S1 (B2)	XXX V

SEC011C

B/FUEL SCHDL	2.5 msec or more
ENG SPEED	More than 1,500 rpm
Selector lever	Suitable position
VHCL SPEED SE	More than 70 km/h (43 MPH)

During this test, P0132 and/or P0152 may be displayed on CONSULT-II screen.

- If DTC is detected, go to [EC-472, "Diagnostic Procedure"](#).

### Overall Function Check

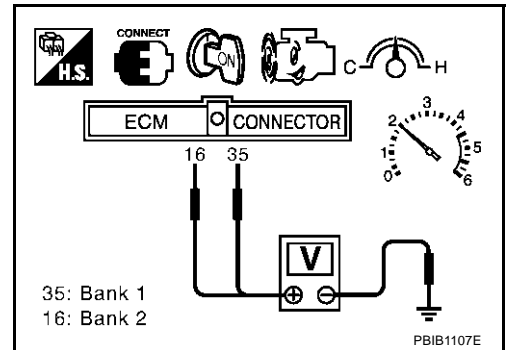
ABS00135

Use this procedure to check the overall function of the closed loop control. During this check, a DTC might not be confirmed.

# DTC P1148, P1168 CLOSED LOOP CONTROL

## WITH GST

1. Start engine and warm it up to normal operating temperature.
2. Set voltmeter probes between ECM terminal 35 [HO2S1 (B1) signal] or 16 [HO2S1 (B2) signal] and engine ground.
3. Check the following with engine speed held at 2,000 rpm constant under no-load.
  - The voltage should go above 0.70V at least once.
  - The voltage should go below 0.21V at least once.
4. If NG, go to [EC-472, "Diagnostic Procedure"](#).



## Diagnostic Procedure

Perform trouble diagnosis for "DTC P0133, P0153". Refer to [EC-223, "Diagnostic Procedure"](#).

ABS00136



# DTC P1211 TCS CONTROL UNIT

## DTC P1211 TCS CONTROL UNIT

PFP:47850

### Description

ABS00137

The malfunction information related to TCS is transferred through the CAN communication line from ABS actuator and electric unit (control unit) (models without VDC) or VDC/TCS/ABS control unit (models with VDC) to ECM.

**Be sure to erase the malfunction information such as DTC not only for ABS actuator and electric unit (control unit) (models without VDC) or VDC/TCS/ABS control unit (models with VDC) but also for ECM after TCS related repair.**

### On Board Diagnosis Logic

ABS00138

**Freeze frame data is not stored in the ECM for this self-diagnosis. The MIL will not light up for this self-diagnosis.**

DTC No.	Trouble diagnosis name	DTC detecting condition	Possible cause
P1211 1211	TCS control unit	ECM receives a malfunction information from ABS actuator and electric unit (Control unit) (models without VDC) or VDC/TCS/ABS control unit (models with VDC).	<ul style="list-style-type: none"><li>● ABS actuator and electric unit (control unit) (models without VDC)</li><li>● VDC/TCS/ABS control unit (models with VDC)</li><li>● TCS related parts</li></ul>

### DTC Confirmation Procedure

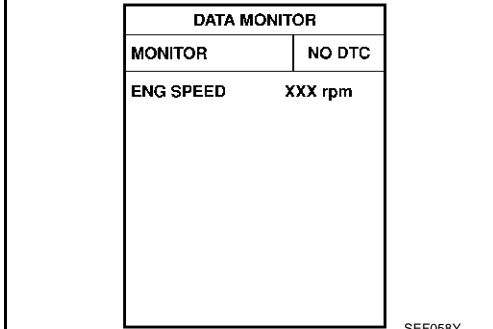
ABS00139

#### TESTING CONDITION:

**Before performing the following procedure, confirm that battery voltage is more than 10.5V at idle.**

#### WITH CONSULT-II

1. Turn ignition switch "ON".
2. Select "DATA MONITOR" mode with CONSULT-II.
3. Start engine and let it idle for at least 60 seconds.
4. If 1st trip DTC is detected, go to [EC-473, "Diagnostic Procedure"](#)



DATA MONITOR	
MONITOR	NO DTC
ENG SPEED	XXX rpm

SEF058Y

#### WITH GST

Follow the procedure "WITH CONSULT-II" above.

### Diagnostic Procedure

ABS0013A

Go to [BRC-53, "TROUBLE DIAGNOSIS"](#) or [BRC-101, "TROUBLE DIAGNOSIS"](#).

# DTC P1212 TCS COMMUNICATION LINE

## DTC P1212 TCS COMMUNICATION LINE

PFP:47850

### Description

ABS0013B

#### NOTE:

If DTC P1212 is displayed with DTC U1000 or U1001, first perform the trouble diagnosis for DTC U1000, U1001. Refer to [EC-145, "DTC U1000, U1001 CAN COMMUNICATION LINE"](#).

This CAN communication line is used to control the smooth engine operation during the TCS operation. Pulse signals are exchanged between ECM and ABS actuator and electric unit (control unit) (models without VDC) or VDC/TCS/ABS control unit (models with VDC).

Be sure to erase the malfunction information such as DTC not only for ABS actuator and electric unit (control unit) (models without VDC) or VDC/TCS/ABS control unit (models with VDC) but also for ECM after TCS related repair.

### On Board Diagnosis Logic

ABS0013C

Freeze frame data is not stored in the ECM for this self-diagnosis. The MIL will not light up for this self-diagnosis.

DTC No.	Trouble diagnosis name	DTC detecting condition	Possible cause
P1212 1212	TCS communication line	ECM can not receive the information from ABS actuator and electric unit (control unit) (models without UDC) or VDC/TCS/ABS control unit (models with VDC) continuously.	<ul style="list-style-type: none"><li>● Harness or connectors (The CAN communication line is open or shorted.)</li><li>● ABS actuator and electric unit (control unit) (models without VDC)</li><li>● VDC/TCS/ABS control unit (models with VDC)</li><li>● Dead (Weak) battery</li></ul>

### DTC Confirmation Procedure

ABS0013D

#### TESTING CONDITION:

Before performing the following procedure, confirm that battery voltage is more than 10.5V at idle.

#### Ⓜ WITH CONSULT-II

1. Turn ignition switch "ON".
2. Select "DATA MONITOR" mode with CONSULT-II.
3. Start engine and let it idle for at least 10 seconds.
4. If a 1st trip DTC is detected, go to [EC-474, "Diagnostic Procedure"](#).

DATA MONITOR	
MONITOR	NO DTC
ENG SPEED	XXX rpm

SEF058Y

#### Ⓜ WITH GST

Follow the procedure "WITH CONSULT-II" above.

### Diagnostic Procedure

ABS0013E

#### 1. CHECK ABS ACTUATOR AND ELECTRIC UNIT (CONTROL UNIT) (MODELS WITHOUT VDC) OR VDC/TCS/ABS CONTROL UNIT FUNCTION

Refer to [BRC-53, "TROUBLE DIAGNOSIS"](#) or [BRC-101, "TROUBLE DIAGNOSIS"](#).

>> INSPECTION END

# DTC P1217 ENGINE OVER TEMPERATURE

## DTC P1217 ENGINE OVER TEMPERATURE

PF0:00000

### System Description

ABS0013F

#### NOTE:

If DTC P1217 is displayed with DTC U1000 or U1001, first perform the trouble diagnosis for DTC U1000, U1001. Refer to [EC-145. "DTC U1000, U1001 CAN COMMUNICATION LINE"](#).

### COOLING FAN CONTROL

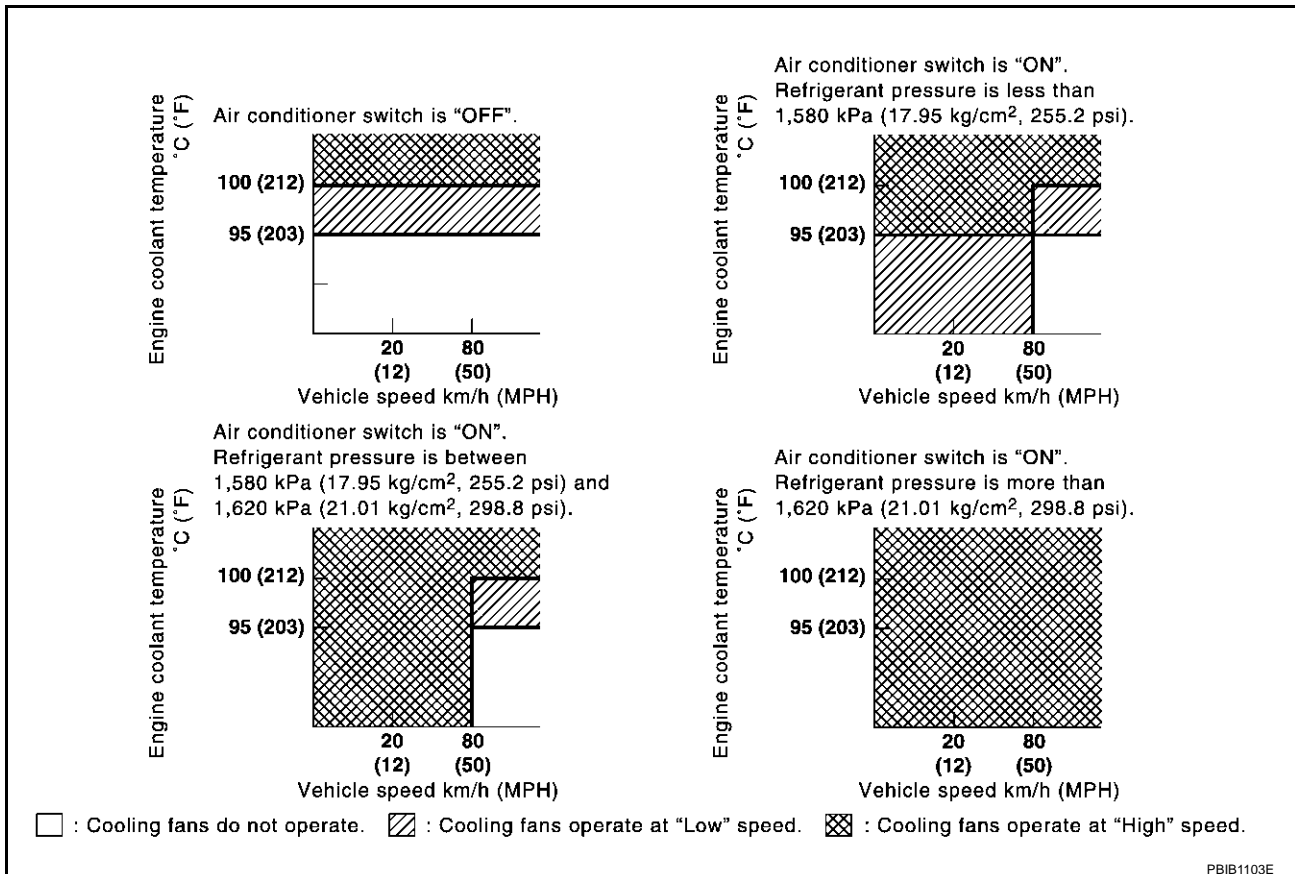
Sensor	Input Signal to ECM	ECM function	Actuator
Crankshaft position sensor (POS) Camshaft position sensor (PHASE)	Engine speed* <sup>1</sup>	Cooling fan control	IPDM E/R (Cooling fan relays)
Battery	Battery voltage* <sup>1</sup>		
Wheel sensor	Vehicle speed* <sup>2</sup>		
Engine coolant temperature sensor	Engine coolant temperature		
Air conditioner switch	Air conditioner "ON" signal* <sup>2</sup>		
Refrigerant pressure sensor	Refrigerant pressure		

\*1: The ECM determines the start signal status by the signals of engine speed and battery voltage.

\*2: These signals are sent to ECM through CAN communication line.

The ECM controls the cooling fan corresponding to the vehicle speed, engine coolant temperature, refrigerant pressure, and air conditioner ON signal. The control system has 3-step control [HIGH/LOW/OFF]. The ECM controls cooling fan relays through CAN communication line.

### OPERATION



# DTC P1217 ENGINE OVER TEMPERATURE

## CONSULT-II Reference Value in Data Monitor Mode

ABS0013G

Specification data are reference values.

MONITOR ITEM	CONDITION		SPECIFICATION
AIR COND SIG	<ul style="list-style-type: none"> <li>● Engine: After warming up, idle the engine</li> </ul>	Air conditioner switch: OFF	OFF
		Air conditioner switch: ON (Compressor operates.)	ON
COOLING FAN	<ul style="list-style-type: none"> <li>● Engine: After warming up, idle the engine</li> <li>● Air conditioner switch: OFF</li> </ul>	Engine coolant temperature is 94°C (201°F) or less	OFF
		Engine coolant temperature is between 95°C (203°F) and 99°C (210°F)	LOW
		Engine coolant temperature is 100°C (212°F) or more	HI

## On Board Diagnosis Logic

ABS0013H

If the cooling fan or another component in the cooling system malfunctions, engine coolant temperature will rise.

When the engine coolant temperature reaches an abnormally high temperature condition, a malfunction is indicated.

**This self-diagnosis has the one trip detection logic.**

DTC No.	Trouble diagnosis name	DTC detecting condition	Possible cause
P1217 1217	Engine over temperature (Overheat)	<ul style="list-style-type: none"> <li>● Cooling fan does not operate properly (Overheat).</li> <li>● Cooling fan system does not operate properly (Overheat).</li> <li>● Engine coolant was not added to the system using the proper filling method.</li> </ul>	<ul style="list-style-type: none"> <li>● Harness or connectors (The cooling fan circuit is open or shorted.)</li> <li>● Cooling fan</li> <li>● Radiator hose</li> <li>● Radiator</li> <li>● Radiator cap</li> <li>● Water pump</li> <li>● Thermostat</li> </ul> <p>For more information, refer to <a href="#">EC-487</a>, "Main 12 Causes of Overheating" .</p>

### CAUTION:

When a malfunction is indicated, be sure to replace the coolant. Refer to [CO-8](#), "Changing Engine Coolant" . Also, replace the engine oil. Refer to [LU-8](#), "Changing Engine Oil" .

1. Fill radiator with coolant up to specified level with a filling speed of 2 liters per minute. Be sure to use coolant with the proper mixture ratio. Refer to [MA-12](#), "ANTI-FREEZE COOLANT MIXTURE RATIO" .
2. After refilling coolant, run engine to ensure that no water-flow noise is emitted.

## Overall Function Check

ABS00319

Use this procedure to check the overall function of the cooling fan. During this check, a DTC might not be confirmed.

### WARNING:

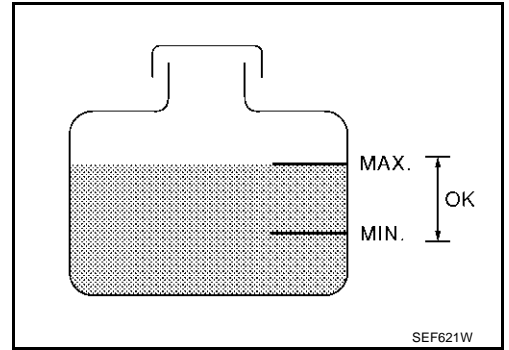
Never remove the radiator cap when the engine is hot. Serious burns could be caused by high pressure fluid escaping from the radiator.

Wrap a thick cloth around cap. Carefully remove the cap by turning it a quarter turn to allow built-up pressure to escape. Then turn the cap all the way off.

# DTC P1217 ENGINE OVER TEMPERATURE

## WITH CONSULT-II

1. Check the coolant level in the reservoir tank and radiator.  
**Allow engine to cool before checking coolant level.**  
If the coolant level in the reservoir tank and/or radiator is below the proper range, skip the following steps and go to [EC-481, "Diagnostic Procedure"](#).
2. Confirm whether customer filled the coolant or not. If customer filled the coolant, skip the following steps and go to [EC-481, "Diagnostic Procedure"](#).
3. Turn ignition switch "ON".
4. Perform "COOLING FAN" in "ACTIVE TEST" mode with CONSULT-II.
5. If the results are NG, go to [EC-481, "Diagnostic Procedure"](#).

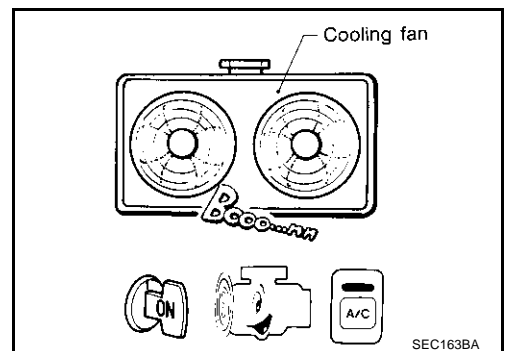
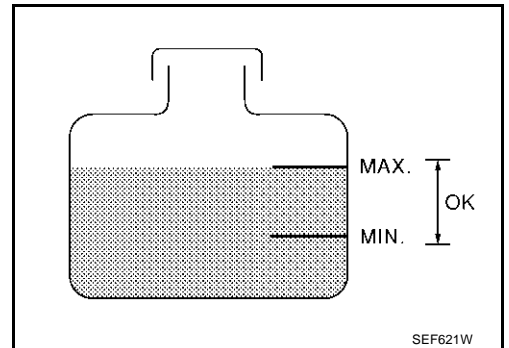


ACTIVE TEST	
COOLING FAN	OFF
MONITOR	
COOLANT TEMP/S	XXX °C

SEF646X

## WITH GST

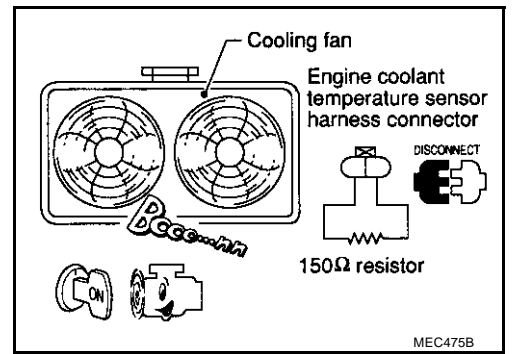
1. Check the coolant level in the reservoir tank and radiator.  
**Allow engine to cool before checking coolant level.**  
If the coolant level in the reservoir tank and/or radiator is below the proper range, skip the following steps and go to [EC-481, "Diagnostic Procedure"](#).
2. Confirm whether customer filled the coolant or not. If customer filled the coolant, skip the following steps and go to [EC-481, "Diagnostic Procedure"](#).
3. Start engine.  
**Be careful not to overheat engine.**
4. Turn air conditioner switch "ON".
5. Turn blower fan switch "ON".
6. Make sure that cooling fan operates at low speed.  
If NG, go to [EC-481, "Diagnostic Procedure"](#).  
If OK, go to the following step.
7. Turn ignition switch "OFF".
8. Turn air conditioner switch and blower fan switch "OFF".
9. Disconnect engine coolant temperature sensor harness connector.
10. Connect 150Ω resistor to engine coolant temperature sensor harness connector.



A  
EC  
C  
D  
E  
F  
G  
H  
I  
J  
K  
L  
M

## DTC P1217 ENGINE OVER TEMPERATURE

11. Restart engine and make sure that cooling fan operates at higher speed than low speed.  
**Be careful not to overheat engine.**
12. If NG, go to [EC-481, "Diagnostic Procedure"](#).






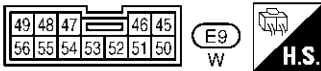
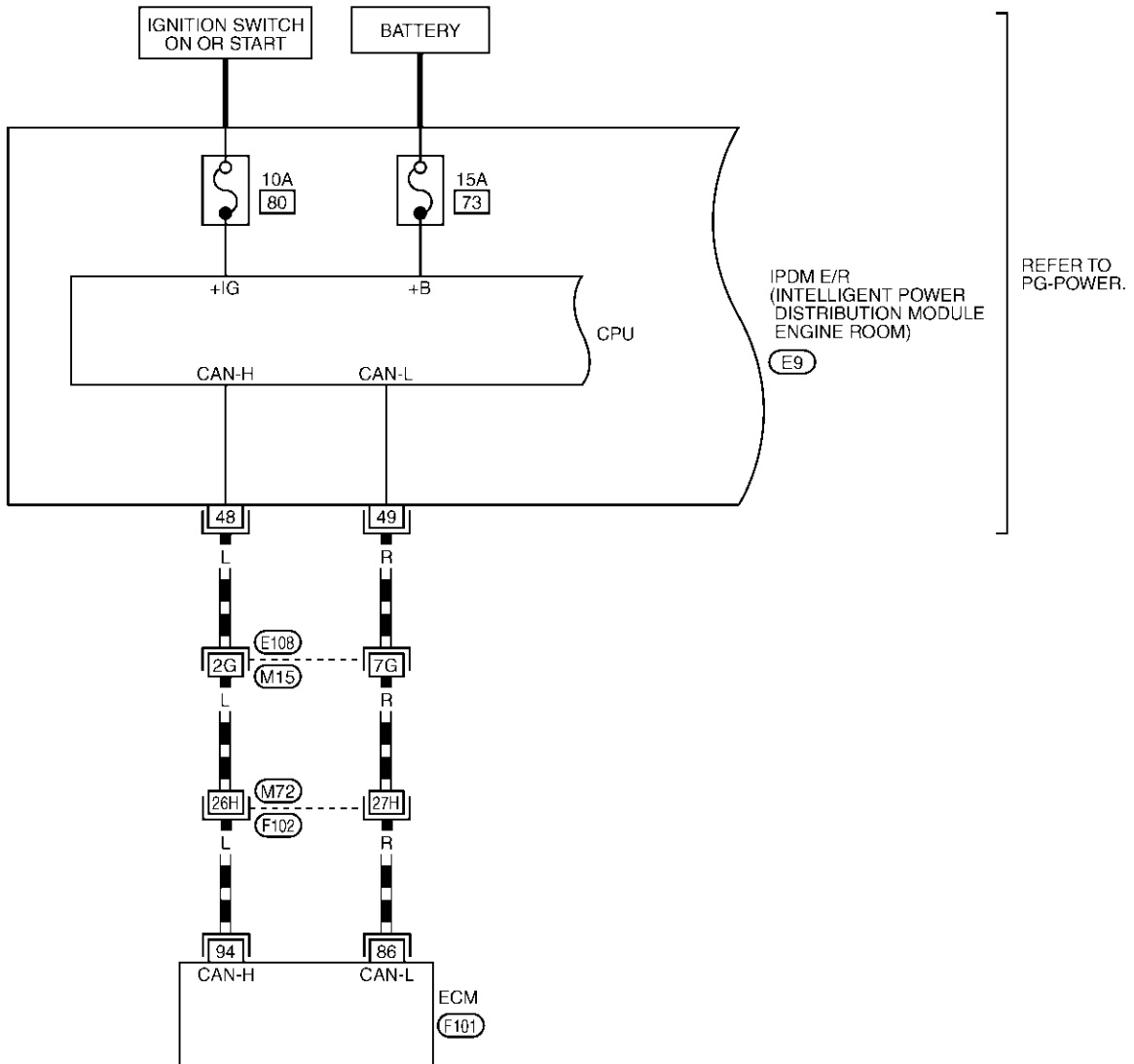
# DTC P1217 ENGINE OVER TEMPERATURE

## Wiring Diagram

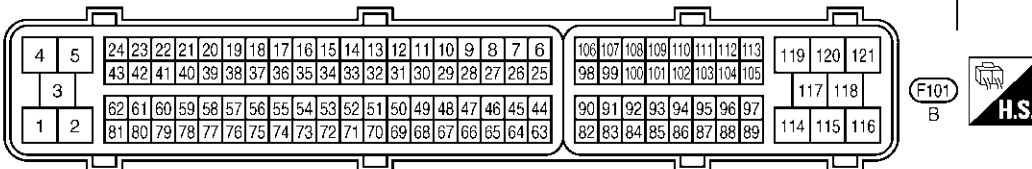
ABS0031A

### EC-COOL/F-01

 : DETECTABLE LINE FOR DTC  
 : NON-DETECTABLE LINE FOR DTC  
 : DATA LINE



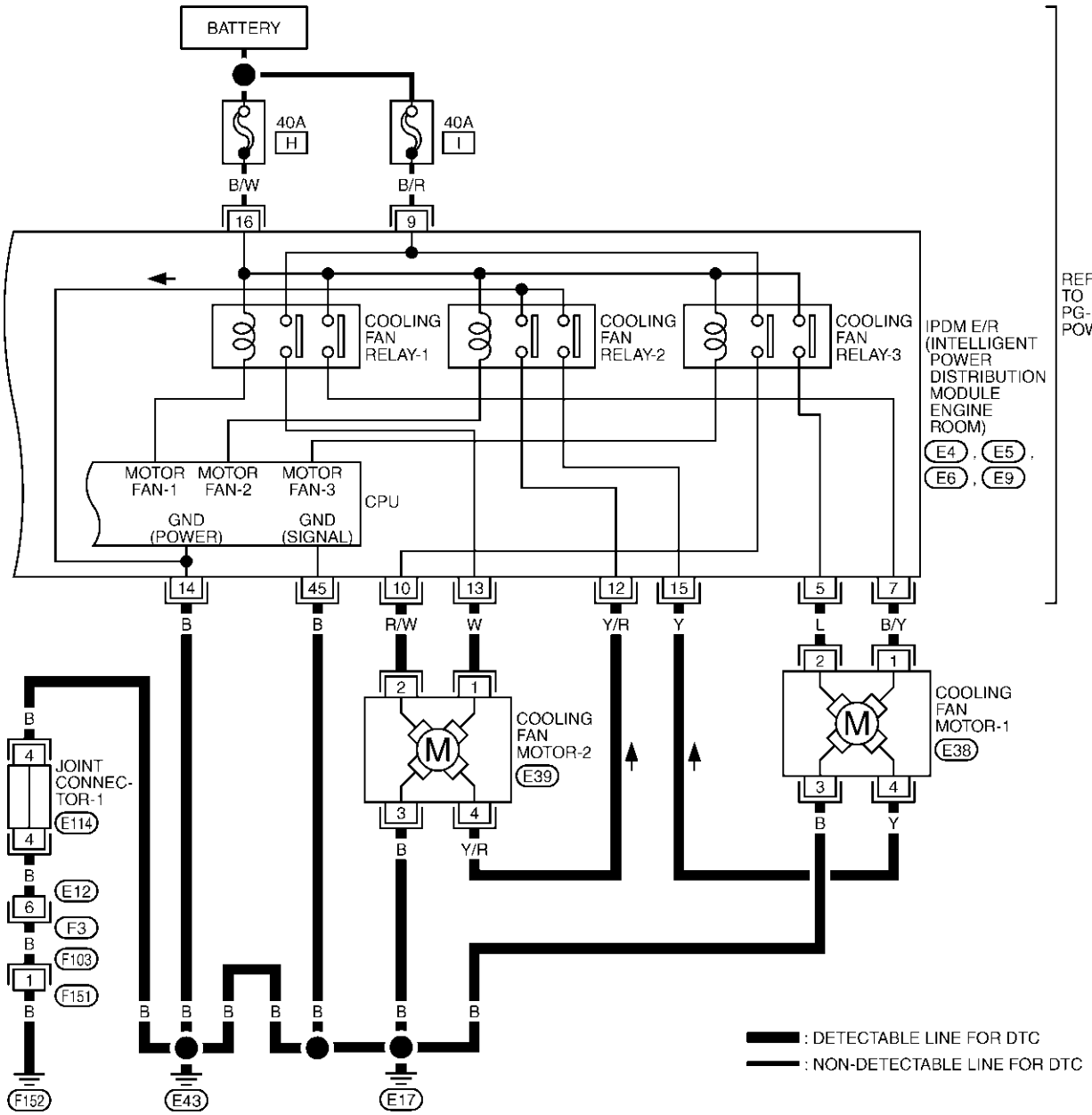
REFER TO THE FOLLOWING.  
 (E108), (F102) -SUPER MULTIPLE JUNCTION (SMJ)



TBWT0229E

# DTC P1217 ENGINE OVER TEMPERATURE

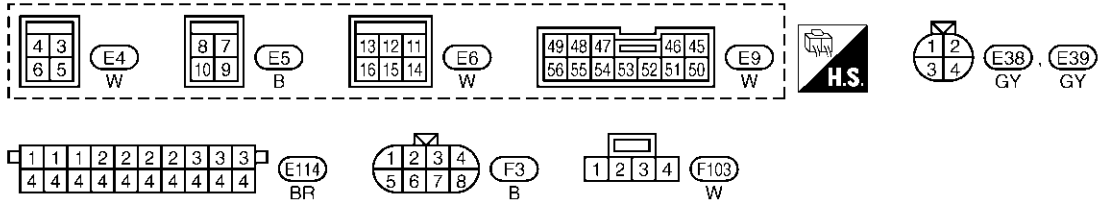
EC-COOL/F-02



REFER TO PG-POWER.

IPDM E/R (INTELLIGENT POWER DISTRIBUTION MODULE ENGINE ROOM)  
 (E4, E5, E6, E9)

— : DETECTABLE LINE FOR DTC  
 — : NON-DETECTABLE LINE FOR DTC



TBWT0230E



# DTC P1217 ENGINE OVER TEMPERATURE

ABS0031B

## Diagnostic Procedure

### 1. INSPECTION START

Do you have CONSULT-II?

Yes or No

- Yes >> GO TO 2.
- No >> GO TO 4.

### 2. CHECK COOLING FAN LOW SPEED OPERATION

#### With CONSULT-II

1. Start engine and let it idle.
2. Select "COOLING FAN" in "ACTIVE TEST" mode with CONSULT-II and touch "LOW" on the CONSULT-II screen.
3. Make sure that cooling fans-1 and -2 operate at low speed.

OK or NG

- OK >> GO TO 3.
- NG >> Check cooling fan low speed control circuit. (Go to [EC-484](#), "PROCEDURE A" .)

ACTIVE TEST	
COOLING FAN	LOW
MONITOR	
COOLANT TEMP/S	XXX °C

SEF784Z

### 3. CHECK COOLING FAN HIGH SPEED OPERATION

#### With CONSULT-II

1. Touch "HIGH" on the CONSULT-II screen.
2. Make sure that cooling fans-1 and -2 operate at higher speed than low speed.

OK or NG

- OK >> GO TO 6.
- NG >> Check cooling fan high speed control circuit. (Go to [EC-486](#), "PROCEDURE B" .)

ACTIVE TEST	
COOLING FAN	HIGH
MONITOR	
COOLANT TEMP/S	XXX °C

SEF785Z

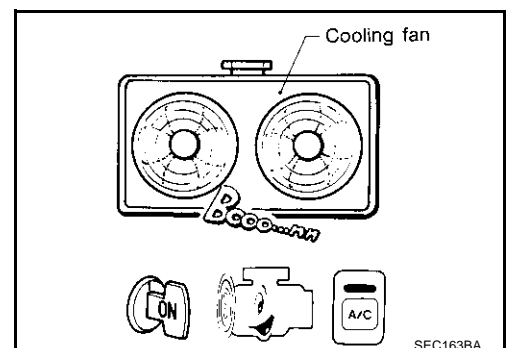
### 4. CHECK COOLING FAN LOW SPEED OPERATION

#### Without CONSULT-II

1. Start engine and let it idle.
2. Turn air conditioner switch "ON".
3. Turn blower fan switch "ON".
4. Make sure that cooling fans-1 and -2 operate at low speed.

OK or NG

- OK >> GO TO 5.
- NG >> Check cooling fan low speed control circuit. (Go to [EC-484](#), "PROCEDURE A" .)



# DTC P1217 ENGINE OVER TEMPERATURE

## 5. CHECK COOLING FAN HIGH SPEED OPERATION

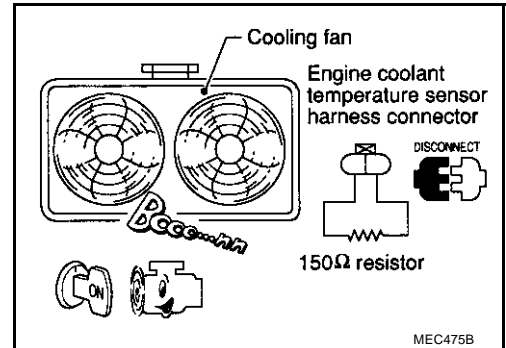
### ⊗ Without CONSULT-II

1. Turn ignition switch "OFF".
2. Turn air conditioner switch and blower fan switch "OFF".
3. Disconnect engine coolant temperature sensor harness connector.
4. Connect 150Ω resistor to engine coolant temperature sensor harness connector.
5. Restart engine and make sure that cooling fans-1 and -2 operate at higher speed than low speed.

#### OK or NG

OK >> GO TO 6.

NG >> Check cooling fan high speed control circuit. (Go to [EC-486](#), "PROCEDURE B".)



## 6. CHECK COOLING SYSTEM FOR LEAK

Apply pressure to the cooling system with a tester, and check if the pressure drops.

**Testing pressure: 157 kPa (1.6 kg/cm<sup>2</sup> , 23 psi)**

### CAUTION:

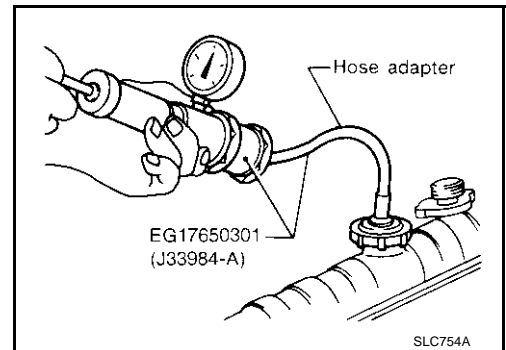
Higher than the specified pressure may cause radiator damage. Pressure should not drop.

#### OK or NG

OK >> GO TO 7.

NG >> Check the following for leak. Refer to [CO-8](#), "LEAK CHECK".

- Hose
- Radiator
- Water pump



## 7. CHECK RADIATOR CAP

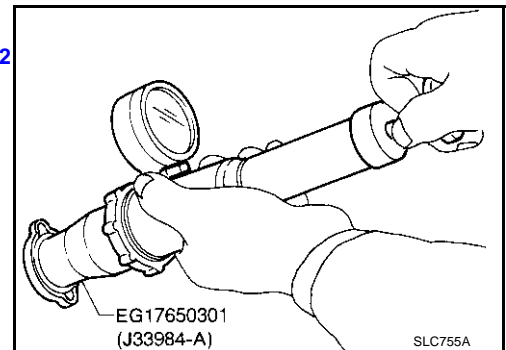
Apply pressure to cap with a tester.

**Radiator cap relief pressure: 59 - 98 kPa (0.6 - 1.0 kg/cm<sup>2</sup> , 9 - 14 psi)**

#### OK or NG

OK >> GO TO 8.

NG >> Replace radiator cap.



# DTC P1217 ENGINE OVER TEMPERATURE

## 8. CHECK THERMOSTAT

1. Check valve seating condition at normal room temperatures.  
**It should seat tightly.**
2. Check valve opening temperature and valve lift.

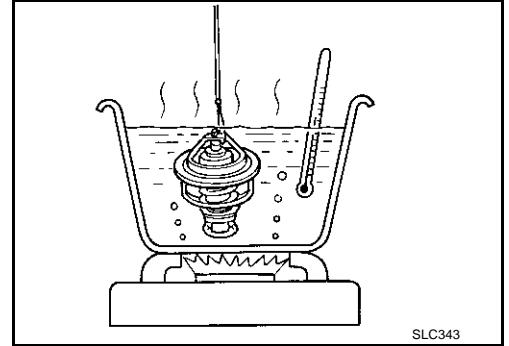
**Valve opening temperature: 76.5°C (170°F) [standard]**

**Valve lift: More than 8.6 mm/90°C (0.339 in/194°F)**

3. Check if valve is closed at 5°C (9°F) below valve opening temperature.  
For details, refer to [CO-23, "THERMOSTAT AND THERMOSTAT HOUSING"](#) .

### OK or NG

- OK >> GO TO 9.  
NG >> Replace thermostat



## 9. CHECK ENGINE COOLANT TEMPERATURE SENSOR

Refer to [EC-191, "Component Inspection"](#) .

### OK or NG

- OK >> GO TO 10.  
NG >> Replace engine coolant temperature sensor.

## 10. CHECK MAIN 12 CAUSES

If the cause cannot be isolated, go to [EC-487, "Main 12 Causes of Overheating"](#) .

>> **INSPECTION END**

A  
EC  
C  
D  
E  
F  
G  
H  
I  
J  
K  
L  
M

# DTC P1217 ENGINE OVER TEMPERATURE

## PROCEDURE A

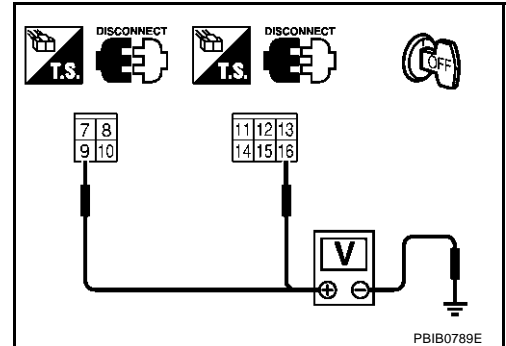
### 1. CHECK POWER SUPPLY CIRCUIT

1. Turn ignition switch "OFF".
2. Disconnect IPDM E/R harness connectors E5 and E6.
3. Check voltage between IPDM E/R terminals 9, 16 and ground with CONSULT-II or tester.

**Voltage: Battery voltage**

OK or NG

- OK >> GO TO 3.
- NG >> GO TO 2.



### 2. DETECT MALFUNCTIONING PART

Check the following.

- 40A fusible links
- Harness for open or short between IPDM E/R and battery

>> Repair open circuit or short to ground or short to power in harness or connectors.

### 3. CHECK COOLING FAN MOTORS CIRCUIT

1. Disconnect cooling fan motor-1 harness connector and cooling fan motor-2 harness connector.
2. Check harness continuity between cooling fan motor-1 terminal 1 and IPDM E/R terminal 7, cooling fan motor-1 terminal 3 and ground. Refer to wiring diagram.

**Continuity should exist.**

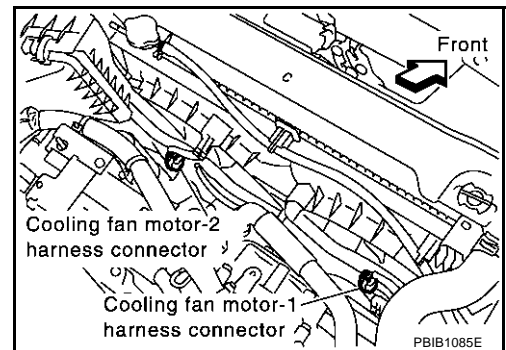
3. Also check harness for short to ground and short to power.
4. Check harness continuity between cooling fan motor-2 terminal 1 and IPDM E/R terminal 13, cooling fan motor-2 terminal 3 and ground. Refer to wiring diagram.

**Continuity should exist.**

5. Also check harness for short to ground and short to power.

OK or NG

- OK >> GO TO 5.
- NG >> GO TO 4.



# DTC P1217 ENGINE OVER TEMPERATURE

---

## 4. DETECT MALFUNCTIONING PART

---

Check the following.

- Harness connector E12, F3
- Harness connector F103, F151
- Joint connector-1
- Harness for open or short between cooling fan motor-1 and IPDM E/R
- Harness for open or short between cooling fan motor-1 and ground
- Harness for open or short between cooling fan motor-2 and IPDM E/R
- Harness for open or short between cooling fan motor-2 and ground

>> Repair open circuit or short to ground or short to power in harness or connectors.

---

## 5. CHECK COOLING FAN MOTORS

---

Refer to [EC-487, "Component Inspection"](#) .

OK or NG

OK >> GO TO 6.

NG >> Replace cooling fan motors.

---

## 6. CHECK INTERMITTENT INCIDENT

---

Perform [EC-137, "TROUBLE DIAGNOSIS FOR INTERMITTENT INCIDENT"](#) .

OK or NG

OK >> Replace IPDM E/R. Refer to [PG-17, "IPDM E/R \(INTELLIGENT POWER DISTRIBUTION MODULE ENGINE ROOM\)"](#) .

NG >> Repair or replace harness or connector.

A  
EC  
C  
D  
E  
F  
G  
H  
I  
J  
K  
L  
M

# DTC P1217 ENGINE OVER TEMPERATURE

## PROCEDURE B

### 1. CHECK COOLING FAN MOTORS CIRCUIT

1. Turn ignition switch "OFF".
2. Disconnect cooling fan motor-1 harness connector and cooling fan motor-2 harness connector.
3. Check harness continuity between the following;  
cooling fan motor-1 terminal 2 and IPDM E/R terminal 5,  
cooling fan motor-1 terminal 4 and IPDM E/R terminal 15,  
IPDM E/R terminal 14 and ground,  
IPDM E/R terminal 45 and ground.  
Refer to wiring diagram.

**Continuity should exist.**

4. Also check harness for short to ground and short to power.
5. Check harness continuity between the following;  
cooling fan motor-2 terminal 2 and IPDM E/R terminal 10,  
cooling fan motor-2 terminal 4 and IPDM E/R terminal 12,  
IPDM E/R terminal 14 and ground,  
IPDM E/R terminal 45 and ground.  
Refer to wiring diagram.

**Continuity should exist.**

6. Also check harness for short to ground and short to power.

OK or NG

- OK >> GO TO 3.  
NG >> GO TO 2.

### 2. DETECT MALFUNCTIONING PART

Check the following.

- Harness connector E12, F3
- Harness connector F103, F151
- Joint connector-1
- Harness for open or short between cooling fan motor-1 and IPDM E/R
- Harness for open or short between cooling fan motor-2 and IPDM E/R
- Harness for open or short between IPDM E/R and ground

>> Repair open circuit or short to ground or short to power in harness or connectors.

### 3. CHECK COOLING FAN MOTORS

Refer to [EC-487, "Component Inspection"](#) .

OK or NG

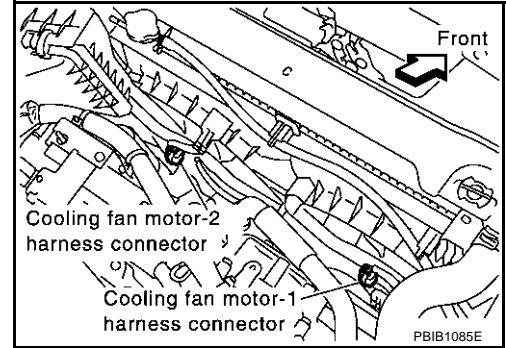
- OK >> GO TO 4.  
NG >> Replace cooling fan motors.

### 4. CHECK INTERMITTENT INCIDENT

Perform [EC-137, "TROUBLE DIAGNOSIS FOR INTERMITTENT INCIDENT"](#) .

OK or NG

- OK >> Replace IPDM E/R. Refer to [PG-17, "IPDM E/R \(INTELLIGENT POWER DISTRIBUTION MODULE ENGINE ROOM\)"](#) .  
NG >> Repair or replace harness connectors.



# DTC P1217 ENGINE OVER TEMPERATURE

## Main 12 Causes of Overheating

ABS0013L

Engine	Step	Inspection item	Equipment	Standard	Reference page
OFF	1	<ul style="list-style-type: none"> <li>Blocked radiator</li> <li>Blocked condenser</li> <li>Blocked radiator grille</li> <li>Blocked bumper</li> </ul>	<ul style="list-style-type: none"> <li>Visual</li> </ul>	No blocking	—
	2	<ul style="list-style-type: none"> <li>Coolant mixture</li> </ul>	<ul style="list-style-type: none"> <li>Coolant tester</li> </ul>	50 - 50% coolant mixture	<a href="#">MA-12</a>
	3	<ul style="list-style-type: none"> <li>Coolant level</li> </ul>	<ul style="list-style-type: none"> <li>Visual</li> </ul>	Coolant up to MAX level in reservoir tank and radiator filler neck	<a href="#">CO-8</a>
	4	<ul style="list-style-type: none"> <li>Radiator cap</li> </ul>	<ul style="list-style-type: none"> <li>Pressure tester</li> </ul>	59 - 98 kPa (0.6 - 1.0 kg/cm <sup>2</sup> , 9 - 14 psi) (Limit)	<a href="#">CO-13</a>
ON*2	5	<ul style="list-style-type: none"> <li>Coolant leaks</li> </ul>	<ul style="list-style-type: none"> <li>Visual</li> </ul>	No leaks	<a href="#">CO-8</a>
ON*2	6	<ul style="list-style-type: none"> <li>Thermostat</li> </ul>	<ul style="list-style-type: none"> <li>Touch the upper and lower radiator hoses</li> </ul>	Both hoses should be hot	<a href="#">CO-23</a>
ON*1	7	<ul style="list-style-type: none"> <li>Cooling fan</li> </ul>	<ul style="list-style-type: none"> <li>CONSULT-II</li> </ul>	Operating	See trouble diagnosis for DTC P1217 ( <a href="#">EC-475</a> ).
OFF	8	<ul style="list-style-type: none"> <li>Combustion gas leak</li> </ul>	<ul style="list-style-type: none"> <li>Color checker chemical tester 4 Gas analyzer</li> </ul>	Negative	—
ON*3	9	<ul style="list-style-type: none"> <li>Coolant temperature gauge</li> </ul>	<ul style="list-style-type: none"> <li>Visual</li> </ul>	Gauge less than 3/4 when driving	—
		<ul style="list-style-type: none"> <li>Coolant overflow to reservoir tank</li> </ul>	<ul style="list-style-type: none"> <li>Visual</li> </ul>	No overflow during driving and idling	<a href="#">CO-8</a>
OFF*4	10	<ul style="list-style-type: none"> <li>Coolant return from reservoir tank to radiator</li> </ul>	<ul style="list-style-type: none"> <li>Visual</li> </ul>	Should be initial level in reservoir tank	<a href="#">CO-8</a>
OFF	11	<ul style="list-style-type: none"> <li>Cylinder head</li> </ul>	<ul style="list-style-type: none"> <li>Straight gauge feeler gauge</li> </ul>	0.1 mm (0.004 in) Maximum distortion (warping)	<a href="#">EM-84</a>
	12	<ul style="list-style-type: none"> <li>Cylinder block and pistons</li> </ul>	<ul style="list-style-type: none"> <li>Visual</li> </ul>	No scuffing on cylinder walls or piston	<a href="#">EM-95</a>

\*1: Turn the ignition switch ON.

\*2: Engine running at 3,000 rpm for 10 minutes.

\*3: Drive at 90 km/h (55 MPH) for 30 minutes and then let idle for 10 minutes.

\*4: After 60 minutes of cool down time.

For more information, refer to [CO-5, "OVERHEATING CAUSE ANALYSIS"](#).

## Component Inspection COOLING FAN MOTORS-1 AND -2

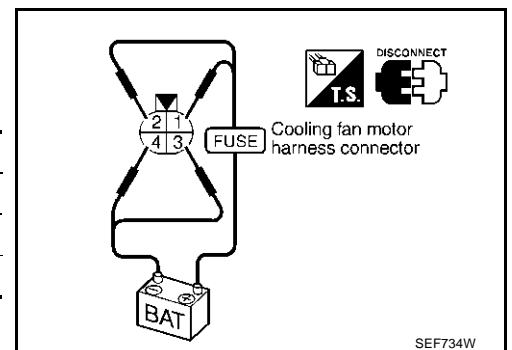
ABS0031C

- Disconnect cooling fan motor harness connectors.
- Supply cooling fan motor terminals with battery voltage and check operation.

	Speed	Terminals	
		(+)	(-)
Cooling fan motor	Low	1	3
	High	1, 2	3, 4

**Cooling fan motor should operate.**

If NG, replace cooling fan motor.



# DTC P1225 TP SENSOR

PFP:16119

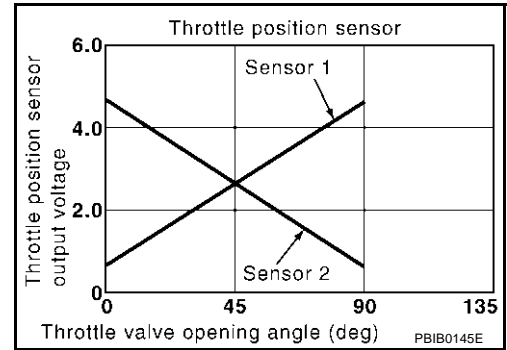
## DTC P1225 TP SENSOR

### Component Description

ABS0013V

Electric Throttle Control Actuator consists of throttle control motor, throttle position sensor, etc. The throttle position sensor responds to the throttle valve movement.

The throttle position sensor has the two sensors. These sensors are a kind of potentiometers which transform the throttle valve position into output voltage, and emit the voltage signal to the ECM. In addition, these sensors detect the opening and closing speed of the throttle valve and feed the voltage signals to the ECM. The ECM judges the current opening angle of the throttle valve from these signals and the ECM controls the throttle control motor to make the throttle valve opening angle properly in response to driving condition.



### On Board Diagnosis Logic

ABS0013W

The MIL will not light up for this diagnosis.

DTC No.	Trouble diagnosis name	DTC detecting condition	Possible cause
P1225 1225	Closed throttle position learning performance problem	Closed throttle position learning value is excessively low.	● Electric throttle control actuator (TP sensor 1 and 2)

### DTC Confirmation Procedure

ABS0013X

#### NOTE:

If "DTC Confirmation Procedure" has been previously conducted, always turn ignition switch "OFF" and wait at least 10 seconds before conducting the next test.

#### TESTING CONDITION:

Before performing the following procedure, confirm that battery voltage is more than 10V at idle.

#### Ⓟ WITH CONSULT-II

1. Turn ignition switch "ON".
2. Select "DATA MONITOR" mode with CONSULT-II.
3. Turn ignition switch "OFF", wait at least 10 seconds.
4. Turn ignition switch "ON".
5. If 1st trip DTC is detected, go to [EC-489, "Diagnostic Procedure"](#)

DATA MONITOR	
MONITOR	NO DTC
ENG SPEED	XXX rpm

#### Ⓢ WITH GST

Follow the procedure "WITH CONSULT-II" above.



# DTC P1225 TP SENSOR

## Diagnostic Procedure

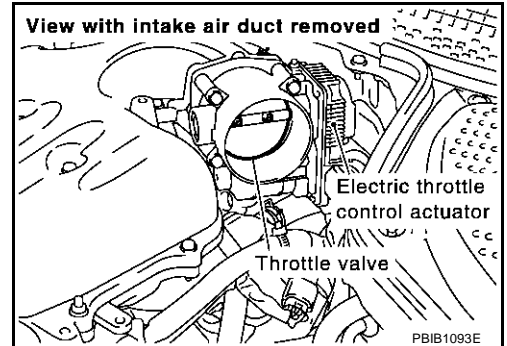
ABS0013Y

### 1. CHECK ELECTRIC THROTTLE CONTROL ACTUATOR VISUALLY

1. Turn ignition switch "OFF".
2. Remove the intake air duct.
3. Check if foreign matter is caught between the throttle valve and the housing.

#### OK or NG

- OK >> GO TO 2.  
NG >> Remove the foreign matter and clean the electric throttle control actuator inside.



### 2. REPLACE ELECTRIC THROTTLE CONTROL ACTUATOR

1. Replace the electric throttle control actuator.
2. Perform [EC-51, "Throttle Valve Closed Position Learning"](#) .
3. Perform [EC-51, "Idle Air Volume Learning"](#) .

>> INSPECTION END

## Removal and Installation ELECTRIC THROTTLE CONTROL ACTUATOR

ABS0013Z

Refer to [EM-17, "INTAKE MANIFOLD COLLECTOR"](#) .

# DTC P1226 TP SENSOR

PFP:16119

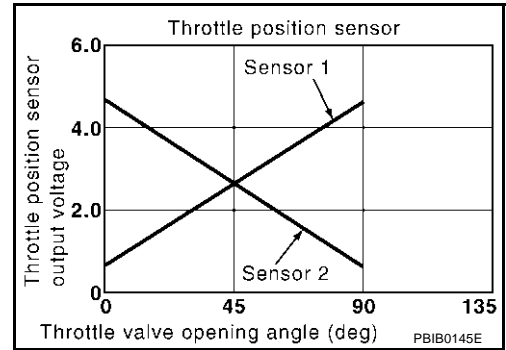
## DTC P1226 TP SENSOR

### Component Description

ABS00140

Electric Throttle Control Actuator consists of throttle control motor, throttle position sensor, etc. The throttle position sensor responds to the throttle valve movement.

The throttle position sensor has the two sensors. These sensors are a kind of potentiometers which transform the throttle valve position into output voltage, and emit the voltage signal to the ECM. In addition, these sensors detect the opening and closing speed of the throttle valve and feed the voltage signals to the ECM. The ECM judges the current opening angle of the throttle valve from these signals and the ECM controls the throttle control motor to make the throttle valve opening angle properly in response to driving condition.



### On Board Diagnosis Logic

ABS00141

The MIL will not light up for this diagnosis.

DTC No.	Trouble diagnosis name	DTC detecting condition	Possible cause
P1226 1226	Closed throttle position learning performance problem	Closed throttle position learning is not performed successfully, repeatedly.	<ul style="list-style-type: none"> <li>Electric throttle control actuator (TP sensor 1 and 2)</li> </ul>

### DTC Confirmation Procedure

ABS00142

#### NOTE:

If "DTC Confirmation Procedure" has been previously conducted, always turn ignition switch "OFF" and wait at least 10 seconds before conducting the next test.

#### TESTING CONDITION:

Before performing the following procedure, confirm that battery voltage is more than 10V at idle.

#### Ⓟ WITH CONSULT-II

- Turn ignition switch "ON".
- Select "DATA MONITOR" mode with CONSULT-II.
- Turn ignition switch "OFF", wait at least 10 seconds.
- Turn ignition switch "ON".
- Repeat steps 3 and 4, 32 times.
- If 1st trip DTC is detected, go to [EC-491, "Diagnostic Procedure"](#)

DATA MONITOR	
MONITOR	NO DTC
ENG SPEED	XXX rpm

SEF058Y

#### Ⓢ WITH GST

Follow the procedure "With CONSULT-II" above.

# DTC P1226 TP SENSOR

## Diagnostic Procedure

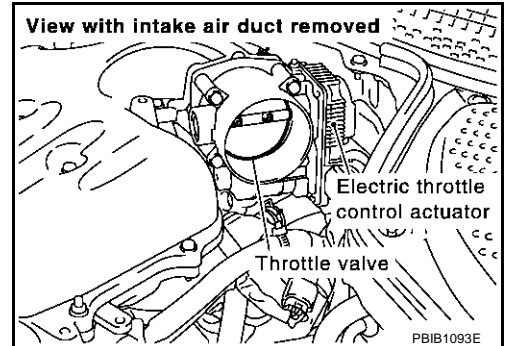
ABS00143

### 1. CHECK ELECTRIC THROTTLE CONTROL ACTUATOR VISUALLY

1. Turn ignition switch "OFF".
2. Remove the intake air duct.
3. Check if foreign matter is caught between the throttle valve and the housing.

#### OK or NG

- OK >> GO TO 2.  
NG >> Remove the foreign matter and clean the electric throttle control actuator inside.



### 2. REPLACE ELECTRIC THROTTLE CONTROL ACTUATOR

1. Replace the electric throttle control actuator.
2. Perform [EC-51, "Throttle Valve Closed Position Learning"](#) .
3. Perform [EC-51, "Idle Air Volume Learning"](#) .

>> INSPECTION END

## Removal and Installation ELECTRIC THROTTLE CONTROL ACTUATOR

ABS00144

Refer to [EM-17, "INTAKE MANIFOLD COLLECTOR"](#) .

# DTC P1229 SENSOR POWER SUPPLY

## DTC P1229 SENSOR POWER SUPPLY

PFP:16119

### On Board Diagnosis Logic

ABS0014D

This self-diagnosis has the one trip detection logic.

DTC No.	Trouble diagnosis name	DTC detecting condition	Possible cause
P1229 1229	Sensor power supply circuit short	ECM detects a voltage of power source for sensor is excessively low or high.	<ul style="list-style-type: none"> <li>● Harness or connectors (APP sensor 1 circuit is shorted.) (EVAP control system pressure sensor circuit is shorted.) (PSP sensor circuit is shorted.) (Refrigerant pressure sensor circuit is shorted.)</li> <li>● Accelerator pedal position sensor (APP sensor 1)</li> <li>● EVAP control system pressure sensor</li> <li>● Power steering pressure sensor</li> <li>● Refrigerant pressure sensor</li> </ul>

### FAIL-SAFE MODE

When the malfunction is detected, ECM enters fail-safe mode and the MIL lights up.

Engine operation condition in fail-safe mode

ECM stops the electric throttle control actuator control, throttle valve is maintained at a fixed opening (approx. 5 degrees) by the return spring.

### DTC Confirmation Procedure

ABS0014E

#### NOTE:

If "DTC Confirmation Procedure" has been previously conducted, always turn ignition switch "OFF" and wait at least 10 seconds before conducting the next test.

#### TESTING CONDITION:

Before performing the following procedure, confirm that battery voltage is more than 10V at idle.

#### WITH CONSULT-II

1. Turn ignition switch "ON".
2. Select "DATA MONITOR" mode with CONSULT-II.
3. Start engine and let it idle for 1 second.
4. If DTC is detected, go to [EC-494, "Diagnostic Procedure"](#).

DATA MONITOR	
MONITOR	NO DTC
ENG SPEED	XXX rpm

SEF058Y

#### WITH GST

Follow the procedure "WITH CONSULT-II" above.

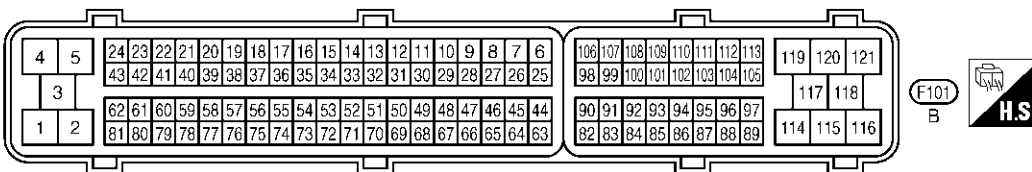
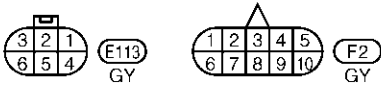
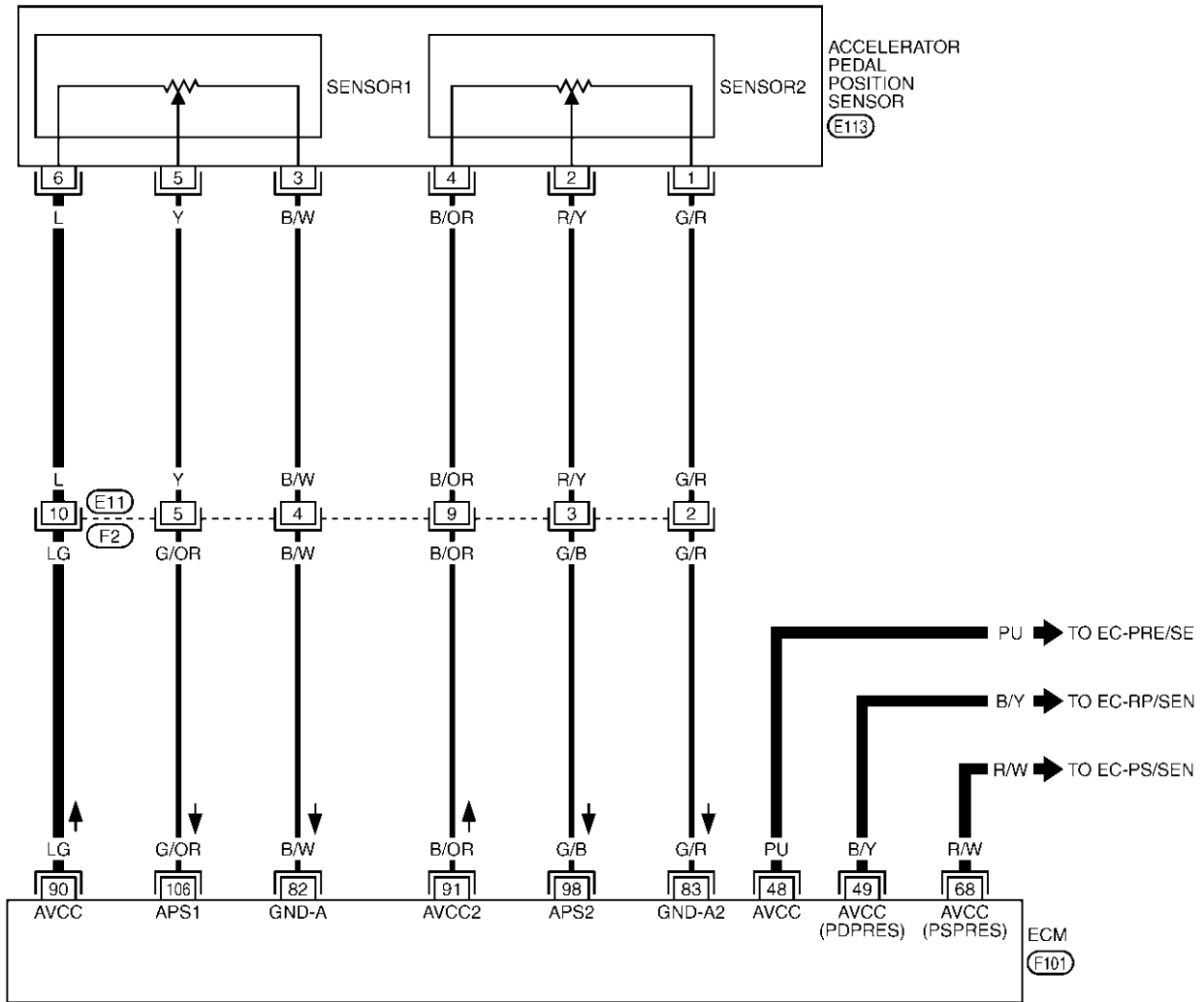
# DTC P1229 SENSOR POWER SUPPLY

## Wiring Diagram

ABS0014F

### EC-SEN/PW-01

: DETECTABLE LINE FOR DTC  
 : NON-DETECTABLE LINE FOR DTC



TBWB0259E

# DTC P1229 SENSOR POWER SUPPLY

Specification data are reference values and are measured between each terminal and ground.

## CAUTION:

Do not use ECM ground terminals when measuring input/output voltage. Doing so may result in damage to the ECM's transistor. Use a ground other than ECM terminals, such as the ground.

TERMINAL NO.	WIRE COLOR	ITEM	CONDITION	DATA (DC Voltage)
48	PU	Sensor power supply (EVAP control system pressure sensor)	[Ignition switch: "ON"]	Approximately 5V
49	B/Y	Sensor power supply (Refrigerant pressure sensor)	[Ignition switch: "ON"]	Approximately 5V
68	R/W	Sensor power supply (Power steering pressure sensor)	[Ignition switch: "ON"]	Approximately 5V
90	LG	Sensor power supply (APP sensor 1)	[Ignition switch: "ON"]	Approximately 5V

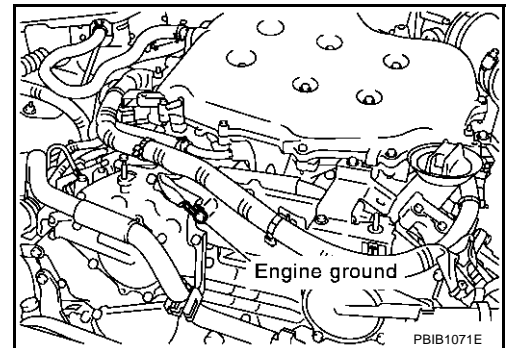
## Diagnostic Procedure

ABS0014G

### 1. RETIGHTEN GROUND SCREWS

1. Turn ignition switch "OFF".
2. Loosen and retighten engine ground screws.

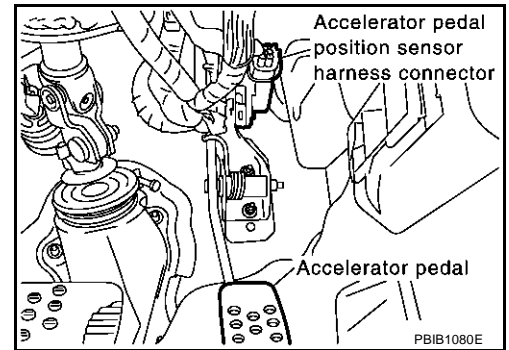
>> GO TO 2.



# DTC P1229 SENSOR POWER SUPPLY

## 2. CHECK ACCELERATOR PEDAL POSITION SENSOR 1 POWER SUPPLY CIRCUIT

1. Disconnect accelerator pedal position (APP) sensor harness connector.
2. Turn ignition switch "ON".

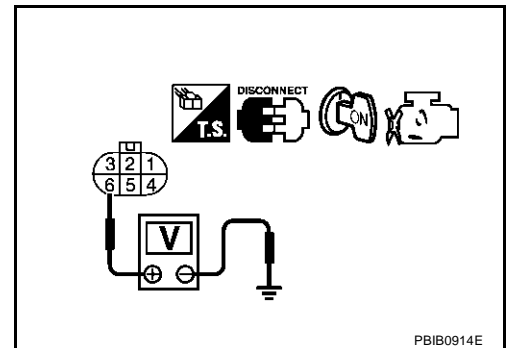


3. Check voltage between APP sensor terminal 6 and ground with CONSULT-II or tester.

**Voltage: Approximately 5V**

OK or NG

- OK >> GO TO 4.  
NG >> GO TO 3.



## 3. CHECK SENSOR POWER SUPPLY CIRCUITS

Check harness for short to power and short to ground, between the following terminals.

ECM terminal	Sensor terminal	Reference Wiring Diagram
90	APP sensor terminal 6	<a href="#">EC-554</a>
48	EVAP control system pressure sensor terminal 3	<a href="#">EC-357</a>
49	Refrigerant pressure sensor terminal 1	<a href="#">EC-607</a>
68	PSP sensor terminal 1	<a href="#">EC-400</a>

OK or NG

- OK >> GO TO 4.  
NG >> Repair short to ground or short to power in harness or connectors.

## 4. CHECK COMPONENTS

Check the following.

- EVAP control system pressure sensor (Refer to [EC-360, "Component Inspection"](#) .)
- Refrigerant pressure sensor (Refer to [ATC-91, "COMPONENT INSPECTION"](#) .)
- Power steering pressure sensor (Refer to [EC-403, "Component Inspection"](#) .)

OK or NG

- OK >> GO TO 7.  
NG >> Replace malfunctioning component.

## 5. CHECK APP SENSOR

Refer to [EC-557, "Component Inspection"](#) .

OK or NG

- OK >> GO TO 7.  
NG >> GO TO 6.

## DTC P1229 SENSOR POWER SUPPLY

---

### 6. REPLACE ACCELERATOR PEDAL ASSEMBLY

---

1. Replace accelerator pedal assembly.
2. Perform [EC-50, "Accelerator Pedal Released Position Learning"](#) .
3. Perform [EC-51, "Throttle Valve Closed Position Learning"](#) .
4. Perform [EC-51, "Idle Air Volume Learning"](#) .

>> INSPECTION END

### 7. CHECK INTERMITTENT INCIDENT

---

Refer to [EC-137, "TROUBLE DIAGNOSIS FOR INTERMITTENT INCIDENT"](#) .

>> INSPECTION END



# DTC P1444 EVAP CANISTER PURGE VOLUME CONTROL SOLENOID VALVE

## DTC P1444 EVAP CANISTER PURGE VOLUME CONTROL SOLENOID VALVE

PFP:14920

### Description SYSTEM DESCRIPTION

ABS0014H

Sensor	Input Signal to ECM	ECM function	Actuator
Crankshaft position sensor (POS) Camshaft position sensor (PHASE)	Engine speed *1	EVAP canister purge flow control	EVAP canister purge vol- ume control solenoid valve
Mass air flow sensor	Amount of intake air		
Engine coolant temperature sensor	Engine coolant temperature		
Battery	Battery voltage*1		
Throttle position sensor	Throttle position		
Accelerator pedal position sensor	Accelerator pedal position		
Heated oxygen sensors 1	Density of oxygen in exhaust gas (Mixture ratio feedback signal)		
Fuel tank temperature sensor	Fuel temperature in fuel tank		
Vehicle speed signal*2	Vehicle speed		

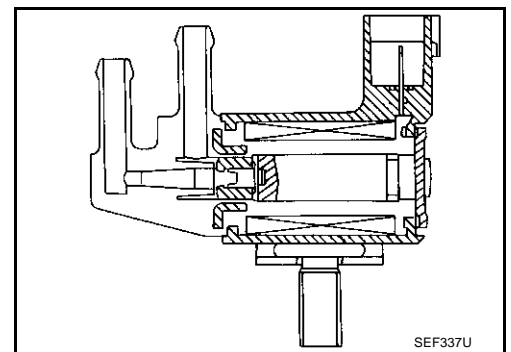
\*1: ECM determines the start signal status by the signals of engine speed and battery voltage.

\*2: This signal is sent to the ECM through CAN communication line.

This system controls flow rate of fuel vapor from the EVAP canister. The opening of the vapor by-pass passage in the EVAP canister purge volume control solenoid valve changes to control the flow rate. The EVAP canister purge volume control solenoid valve repeats ON/OFF operation according to the signal sent from the ECM. The opening of the valve varies for optimum engine control. The optimum value stored in the ECM is determined by considering various engine conditions. When the engine is operating, the flow rate of fuel vapor from the EVAP canister is regulated as the air flow changes.

### COMPONENT DESCRIPTION

The EVAP canister purge volume control solenoid valve uses a ON/OFF duty to control the flow rate of fuel vapor from the EVAP canister. The EVAP canister purge volume control solenoid valve is moved by ON/OFF pulses from the ECM. The longer the ON pulse, the greater the amount of fuel vapor that will flow through the valve.



### CONSULT-II Reference Value in Data Monitor Mode

ABS0014I

Specification data are reference values.

MONITOR ITEM	CONDITION		SPECIFICATION
PURG VOL C/V	<ul style="list-style-type: none"> <li>● Engine: After warming up</li> <li>● Shift lever: N (A/T), Neutral (M/T)</li> </ul>	Idle	0%
	<ul style="list-style-type: none"> <li>● Air conditioner switch: OFF</li> <li>● No-load</li> </ul>	2,000 rpm	—

# DTC P1444 EVAP CANISTER PURGE VOLUME CONTROL SOLENOID VALVE

## On Board Diagnosis Logic

ABS0014J

DTC No.	Trouble diagnosis name	DTC detecting condition	Possible cause
P1444 1444	EVAP canister purge volume control solenoid valve	The canister purge flow is detected during the specified driving conditions, even when EVAP canister purge volume control solenoid valve is completely closed.	<ul style="list-style-type: none"> <li>● EVAP control system pressure sensor</li> <li>● EVAP canister purge volume control solenoid valve (The valve is stuck open.)</li> <li>● EVAP canister vent control valve</li> <li>● EVAP canister</li> <li>● Hoses (Hoses are connected incorrectly or clogged.)</li> </ul>

## DTC Confirmation Procedure

ABS0014K

### NOTE:

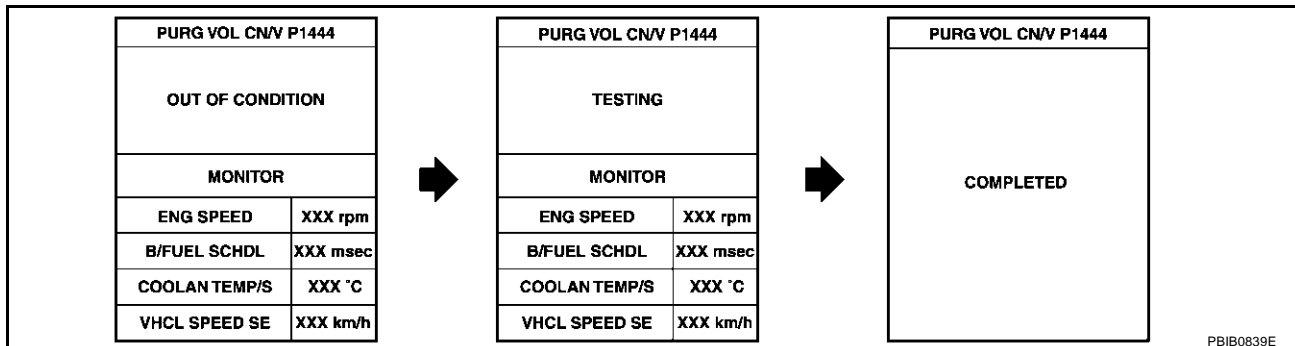
If "DTC Confirmation Procedure" has been previously conducted, always turn ignition switch "OFF" and wait at least 10 seconds before conducting the next test.

### TESTING CONDITION:

Always perform test at a temperature of 5°C (41°F) or more.

### WITH CONSULT-II

1. Start engine and warm it up to normal operating temperature.
2. Turn ignition switch "OFF" and wait at least 10 seconds.
3. Turn ignition switch "ON".
4. Select "PURG VOL CN/V P1444" of "EVAPORATIVE SYSTEM" in "DTC WORK SUPPORT" mode with CONSULT-II.
5. Touch "START".



6. Start engine and let it idle until "TESTING" on CONSULT-II changes to "COMPLETED". (It will take approximately 10 seconds.)  
If "TESTING" is not displayed after 5 minutes, retry from step 2.
7. Make sure that "OK" is displayed after touching "SELF-DIAG RESULTS". If "NG" is displayed, refer to [EC-501, "Diagnostic Procedure"](#).

### WITH GST

1. Start engine and warm it up to normal operating temperature.
2. Turn ignition switch "OFF" and wait at least 10 seconds.
3. Start engine and let it idle for at least 20 seconds.
4. Select "MODE 7" with GST.
5. If 1st trip DTC is detected, go to [EC-501, "Diagnostic Procedure"](#).

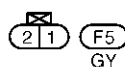
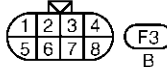
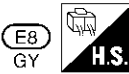
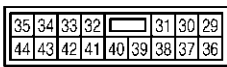
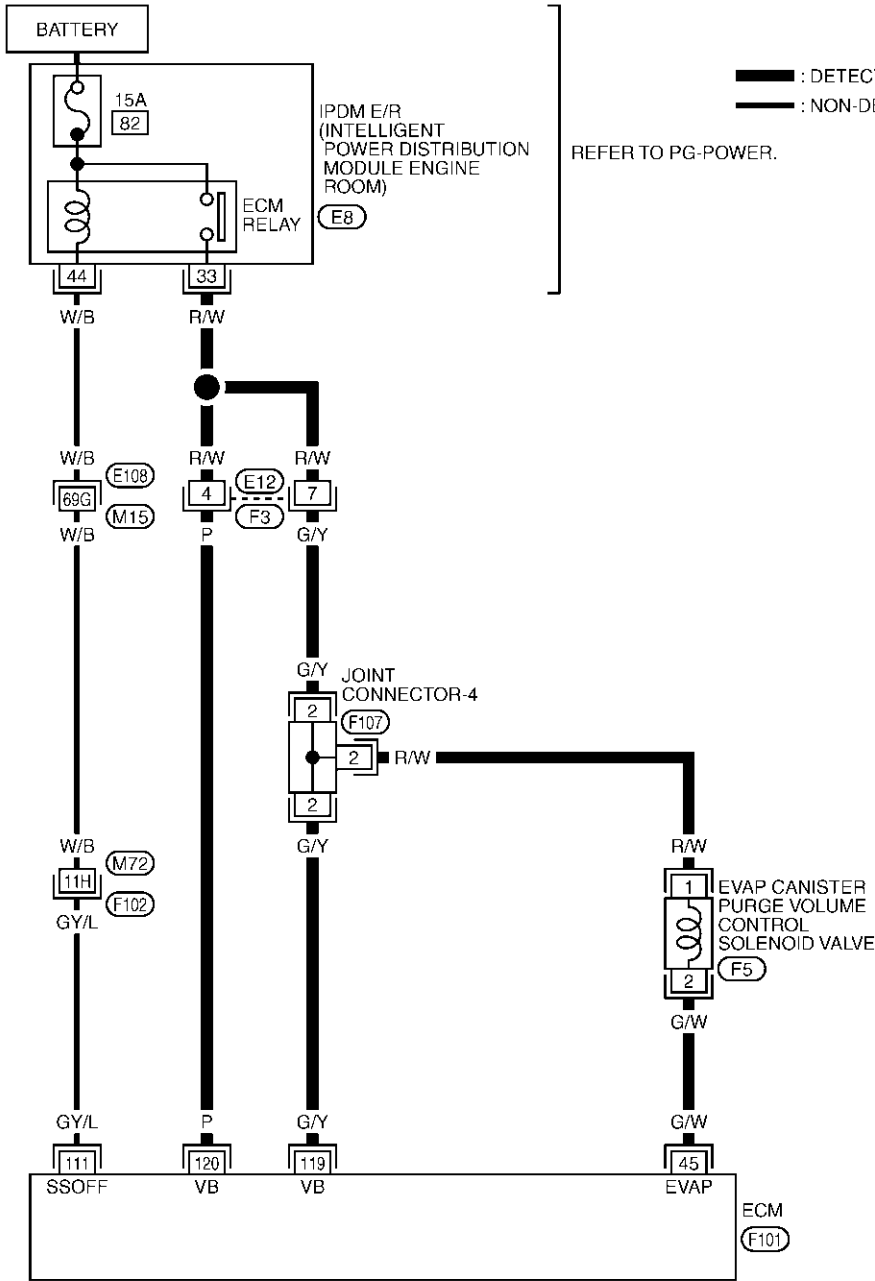
# DTC P1444 EVAP CANISTER PURGE VOLUME CONTROL SOLENOID VALVE

## Wiring Diagram

ABS0014L

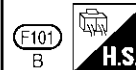
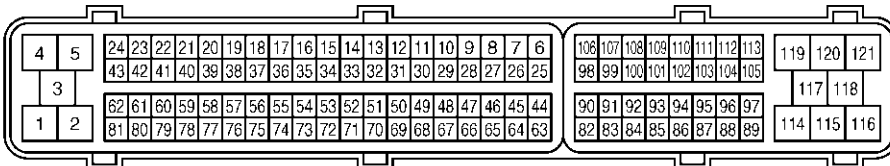
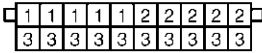
EC-PGC/V-01

A  
EC  
C  
D  
E  
F  
G  
H  
I  
J  
K  
L  
M



REFER TO THE FOLLOWING.

(E108), (F102) -SUPER MULTIPLE JUNCTION (SMJ)

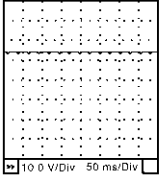
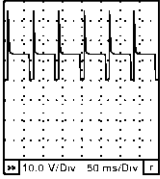


# DTC P1444 EVAP CANISTER PURGE VOLUME CONTROL SOLENOID VALVE

Specification data are reference values and are measured between each terminal and ground.

**CAUTION:**

Do not use ECM ground terminals when measuring input/output voltage. Doing so may result in damage to the ECM's transistor. Use a ground other than ECM terminals, such as the ground.

TER-MINAL NO.	WIRE COLOR	ITEM	CONDITION	DATA (DC Voltage)
45	G/W	EVAP canister purge volume control solenoid valve	<p><b>[Engine is running]</b></p> <ul style="list-style-type: none"> <li>● Idle speed</li> </ul>	<p>BATTERY VOLTAGE (11 - 14V)★</p>  <p>SEC990C</p>
			<p><b>[Engine is running]</b></p> <ul style="list-style-type: none"> <li>● Engine speed is about 2,000 rpm (More than 100 seconds after starting engine).</li> </ul>	<p>BATTERY VOLTAGE (11 - 14V)★</p>  <p>SEC991C</p>
111	GY/L	ECM relay (Self shut-off)	<p><b>[Engine is running]</b> <b>[Ignition switch "OFF"]</b></p> <ul style="list-style-type: none"> <li>● For a few seconds after turning ignition switch "OFF"</li> </ul>	0 - 1.5V
			<p><b>[Ignition switch "OFF"]</b></p> <ul style="list-style-type: none"> <li>● A few seconds passed after turning ignition switch "OFF"</li> </ul>	BATTERY VOLTAGE (11 - 14V)
119 120	G/Y P	Power supply for ECM	<b>[Ignition switch "ON"]</b>	BATTERY VOLTAGE (11 - 14V)

★: Average voltage for pulse signal (Actual pulse signal can be confirmed by oscilloscope.)

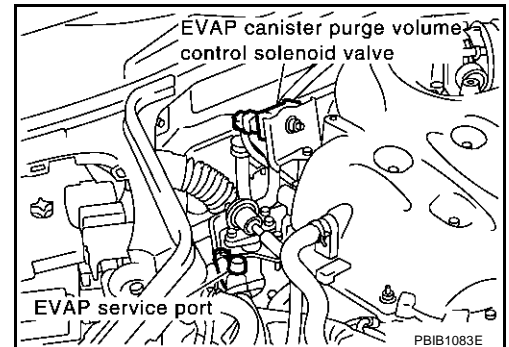
# DTC P1444 EVAP CANISTER PURGE VOLUME CONTROL SOLENOID VALVE

## Diagnostic Procedure

ABS0014M

### 1. CHECK EVAP CANISTER PURGE VOLUME CONTROL SOLENOID VALVE POWER SUPPLY CIRCUIT

1. Turn ignition switch "OFF".
2. Disconnect EVAP canister purge volume control solenoid valve harness connector.
3. Turn ignition switch "ON".

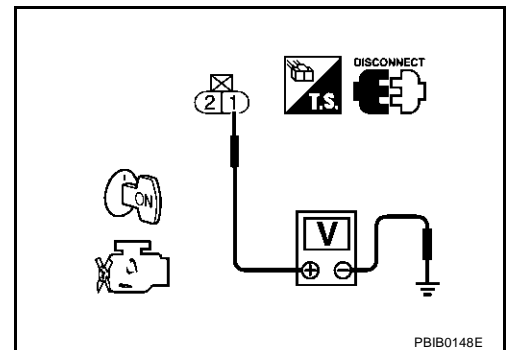


4. Check voltage between EVAP canister purge volume control solenoid valve terminal 1 and ground with CONSULT-II or tester.

**Voltage: Battery voltage**

OK or NG

- OK >> GO TO 3.
- NG >> GO TO 2.



### 2. DETECT MALFUNCTIONING PART

Check the following.

- Harness connectors E12, F3
- Joint connector-4
- IPDM E/R harness connector E8
- 15A fuse
- Harness for open or short between EVAP canister purge volume control solenoid valve and IPDM E/R
- Harness for open or short between EVAP canister purge volume control solenoid valve and ECM

>> Repair harness or connectors.

### 3. CHECK EVAP CANISTER PURGE VOLUME CONTROL SOLENOID VALVE OUTPUT SIGNAL CIRCUIT FOR OPEN AND SHORT

1. Turn ignition switch "OFF".
2. Disconnect ECM harness connector.
3. Check harness continuity between ECM terminal 45 and EVAP canister purge volume control solenoid valve terminal 2. Refer to Wiring Diagram.

**Continuity should exist.**

4. Also check harness for short to ground and short to power.

OK or NG

- OK >> GO TO 4.
- NG >> Repair open circuit or short to ground or short to power in harness or connectors.

# DTC P1444 EVAP CANISTER PURGE VOLUME CONTROL SOLENOID VALVE

## 4. CHECK EVAP CONTROL SYSTEM PRESSURE SENSOR CONNECTOR

1. Disconnect EVAP control system pressure sensor harness connector.
2. Check connectors for water.

**Water should not exist.**

OK or NG

- OK >> GO TO 5.  
NG >> Replace EVAP control system pressure sensor.

## 5. CHECK EVAP CONTROL SYSTEM PRESSURE SENSOR

Refer to [EC-360, "Component Inspection"](#) .

OK or NG

- OK (With CONSULT-II)>>GO TO 6.  
OK (Without CONSULT-II)>>GO TO 7.  
NG >> Replace EVAP control system pressure sensor.

## 6. CHECK EVAP CANISTER PURGE VOLUME CONTROL SOLENOID VALVE

 **With CONSULT-II**

1. Turn ignition switch "OFF".
2. Reconnect harness connectors disconnected.
3. Start engine.
4. Perform "PURG VOL CONT/V" in "ACTIVE TEST" mode with CONSULT-II. Check that engine speed varies according to the valve opening.

OK or NG

- OK >> GO TO 8.  
NG >> GO TO 7.

ACTIVE TEST	
PURG VOL CONT/V	0 %
MONITOR	
ENG SPEED	XXX rpm
HO2S1 MNTR (B1)	LEAN
HO2S1 MNTR (B2)	LEAN
A/F ALPHA-B1	XXX %
A/F ALPHA-B2	XXX %

PBIB0147E

## 7. CHECK EVAP CANISTER PURGE VOLUME CONTROL SOLENOID VALVE

Refer to [EC-504, "Component Inspection"](#) .

OK or NG

- OK >> GO TO 8.  
NG >> Replace EVAP canister purge volume control solenoid valve.

## 8. CHECK RUBBER TUBE FOR CLOGGING

1. Disconnect rubber tube connected to EVAP canister vent control valve.
2. Check the rubber tube for clogging.

OK or NG

- OK >> GO TO 9.  
NG >> Clean the rubber tube using an air blower.

## 9. CHECK EVAP CANISTER VENT CONTROL VALVE

Refer to [EC-350, "Component Inspection"](#) .

OK or NG

- OK >> GO TO 10.  
NG >> Replace EVAP canister vent control valve.

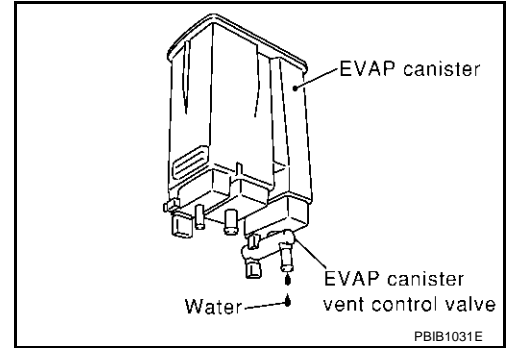
# DTC P1444 EVAP CANISTER PURGE VOLUME CONTROL SOLENOID VALVE

## 10. CHECK IF EVAP CANISTER SATURATED WITH WATER

1. Remove EVAP canister with EVAP canister vent control valve and EVAP control system pressure sensor attached.
2. Check if water will drain from the EVAP canister.

OK or NG

- OK >> GO TO 11.  
NG >> GO TO 13.



## 11. CHECK EVAP CANISTER

Weigh the EVAP canister with the EVAP canister vent control valve and EVAP control system pressure sensor attached.

**The weight should be less than 2.2 kg (4.9 lb).**

OK or NG

- OK >> GO TO 13.  
NG >> GO TO 12.

## 12. DETECT MALFUNCTIONING PART

Check the following.

- EVAP canister for damage
- EVAP hose between EVAP canister and vehicle frame for clogging or poor connection

>> Repair hose or replace EVAP canister.

## 13. CHECK INTERMITTENT INCIDENT

Refer to [EC-137, "TROUBLE DIAGNOSIS FOR INTERMITTENT INCIDENT"](#) .

>> INSPECTION END

# DTC P1444 EVAP CANISTER PURGE VOLUME CONTROL SOLENOID VALVE

## Component Inspection

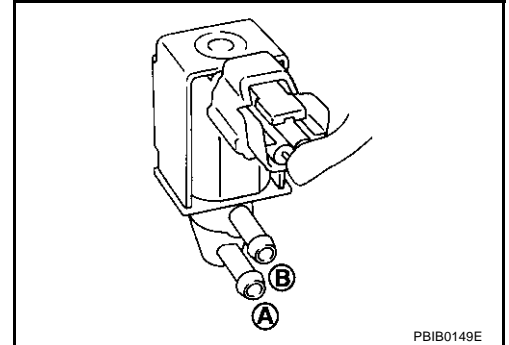
### EVAP CANISTER PURGE VOLUME CONTROL SOLENOID VALVE

ABS0014N

#### ④ With CONSULT-II

Check air passage continuity of EVAP canister purge volume control solenoid valve under the following conditions.

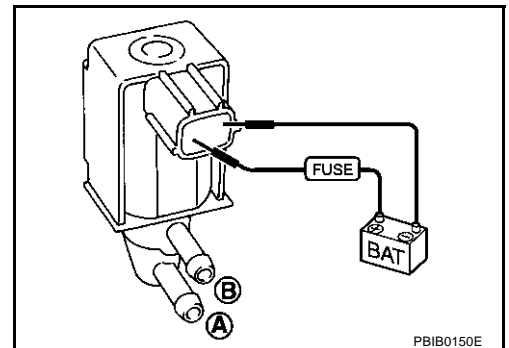
Condition (PURG VOL CONT/V value)	Air passage continuity between A and B
100.0%	Yes
0.0%	No



#### ⊗ Without CONSULT-II

Check air passage continuity of EVAP canister purge volume control solenoid valve under the following conditions.

Condition	Air passage continuity between A and B
12V direct current supply between terminals 1 and 2	Yes
No supply	No



## Removal and Installation

### EVAP CANISTER PURGE VOLUME CONTROL SOLENOID VALVE

ABS0014O

Refer to [EM-17, "INTAKE MANIFOLD COLLECTOR"](#) .



# DTC P1446 EVAP CANISTER VENT CONTROL VALVE

## DTC P1446 EVAP CANISTER VENT CONTROL VALVE

PFP:14935

### Component Description

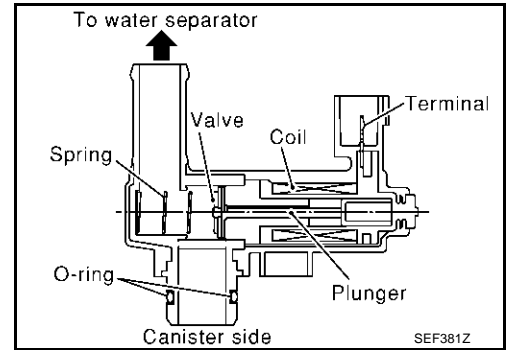
ABS0014P

The EVAP canister vent control valve is located on the EVAP canister and is used to seal the canister vent.

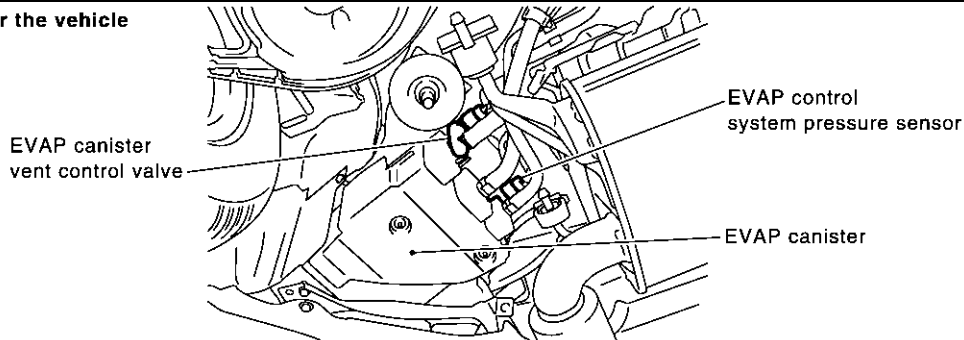
This solenoid valve responds to signals from the ECM. When the ECM sends an ON signal, the coil in the solenoid valve is energized. A plunger will then move to seal the canister vent. The ability to seal the vent is necessary for the on board diagnosis of other evaporative emission control system components.

This solenoid valve is used only for diagnosis, and usually remains opened.

When the vent is closed, under normal purge conditions, the evaporative emission control system is depressurized and allows "EVAP Control System" diagnosis.



View from under the vehicle



PBIB1086E

### CONSULT-II Reference Value in Data Monitor Mode

ABS0014Q

Specification data are reference values.

MONITOR ITEM	CONDITION	SPECIFICATION
VENT CONT/V	● Ignition switch: ON	OFF

### On Board Diagnosis Logic

ABS0014R

DTC No.	Trouble diagnosis name	DTC detecting condition	Possible cause
P1446 1446	EVAP canister vent control valve close	EVAP canister vent control valve remains closed under specified driving conditions.	<ul style="list-style-type: none"> <li>● EVAP canister vent control valve</li> <li>● EVAP control system pressure sensor and the circuit</li> <li>● Blocked rubber tube to EVAP canister vent control valve</li> <li>● EVAP canister is saturated with water</li> </ul>

# DTC P1446 EVAP CANISTER VENT CONTROL VALVE

ABS0014S

## DTC Confirmation Procedure

### NOTE:

If "DTC Confirmation Procedure" has been previously conducted, always turn ignition switch "OFF" and wait at least 10 seconds before conducting the next test.

### Ⓟ WITH CONSULT-II

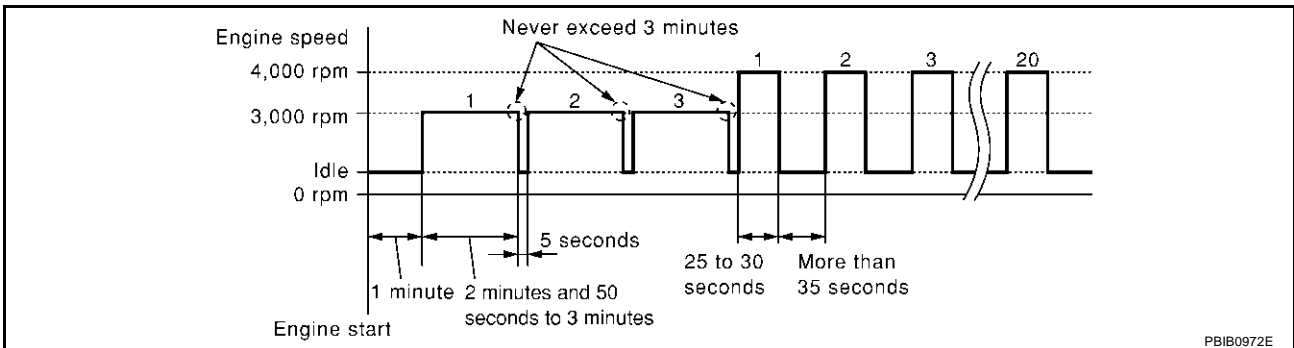
1. Turn ignition switch "ON" and wait at least 5 seconds.
2. Turn ignition switch "OFF" and wait at least 10 seconds.
3. Turn ignition switch "ON" and select "DATA MONITOR" mode with CONSULT-II.
4. Start engine and let it idle for at least 1 minute.
5. Repeat next procedures 3 times.
  - a. Increase the engine speed up to 3,000 to 3,500 rpm and keep it for 2 minutes and 50 seconds to 3 minutes.  
**Never exceed 3 minutes.**
  - b. Fully released accelerator pedal and keep engine idle for about 5 seconds.
6. If 1st trip DTC is detected, go to [EC-508, "Diagnostic Procedure"](#)

DATA MONITOR	
MONITOR	NO DTC
ENG SPEED	XXX rpm

SEF058Y

If 1st trip DTC is not detected, go to the next step.

7. Repeat next procedure 20 times.
  - a. Quickly increase the engine speed up to 4,000 to 4,500 rpm or more and keep it for 25 to 30 seconds.
  - b. Fully released accelerator pedal and keep engine idle for at least 35 seconds.



8. If 1st trip DTC is detected, go to [EC-508, "Diagnostic Procedure"](#) .

### Ⓟ WITH GST

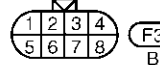
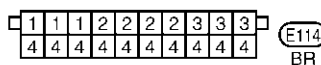
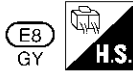
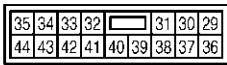
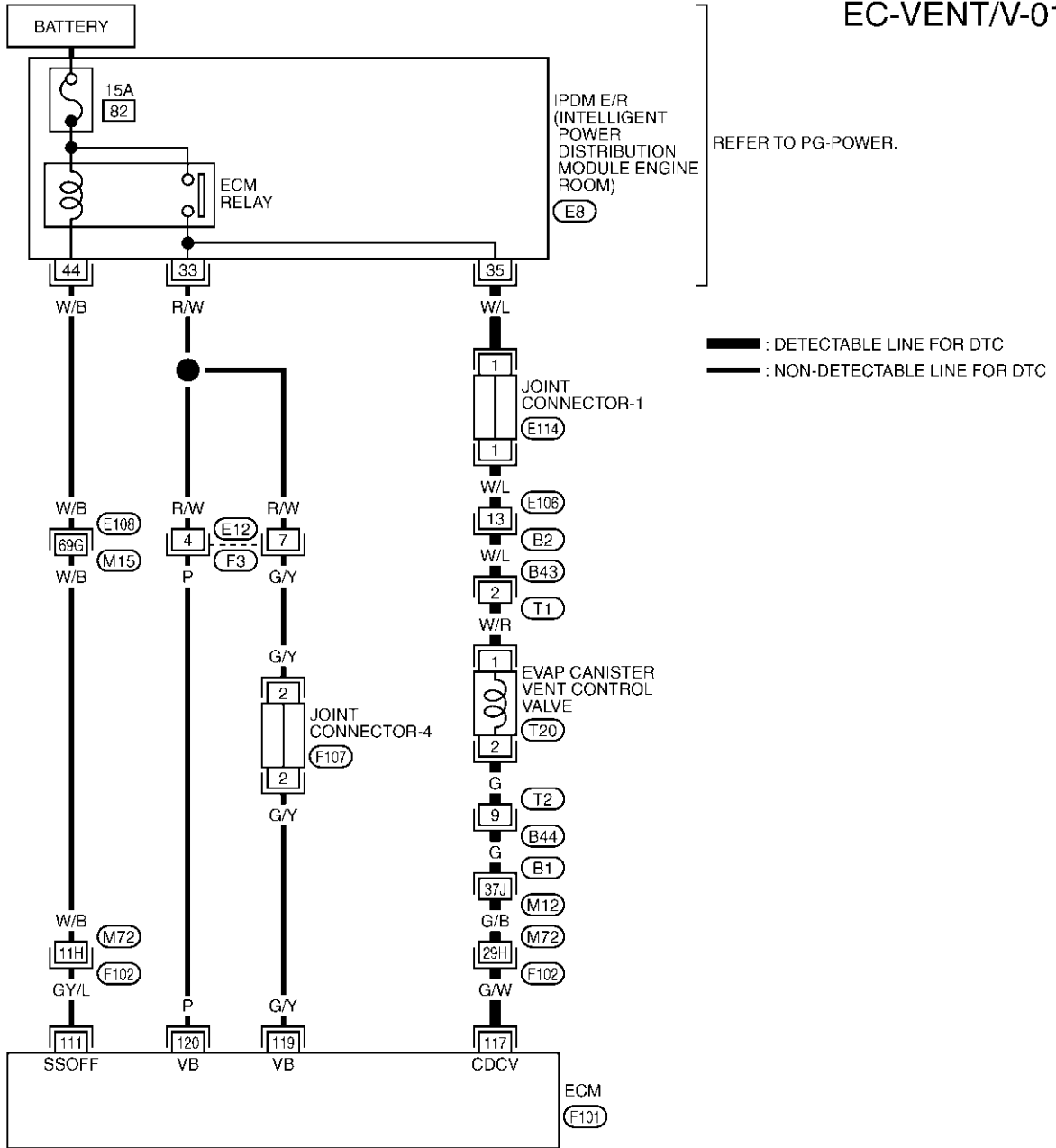
Follow the procedure "WITH CONSULT-II" above.

# DTC P1446 EVAP CANISTER VENT CONTROL VALVE

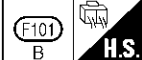
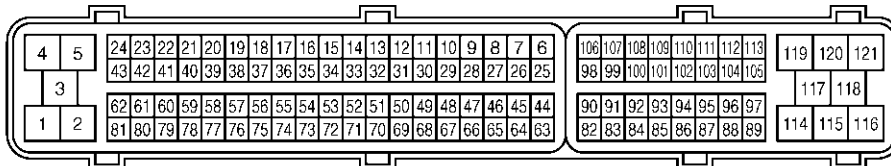
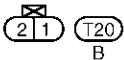
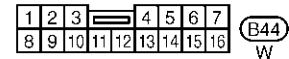
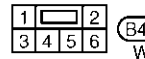
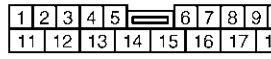
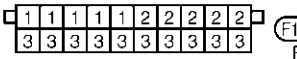
## Wiring Diagram

ABS0014T

### EC-VENT/V-01



REFER TO THE FOLLOWING.  
 (E108), (F102), (B1) -SUPER  
 MULTIPLE JUNCTION (SMJ)



TBWT0221E

# DTC P1446 EVAP CANISTER VENT CONTROL VALVE

Specification data are reference values and are measured between each terminal and ground.

## CAUTION:

Do not use ECM ground terminals when measuring input/output voltage. Doing so may result in damage to the ECM's transistor. Use a ground other than ECM terminals, such as the ground.

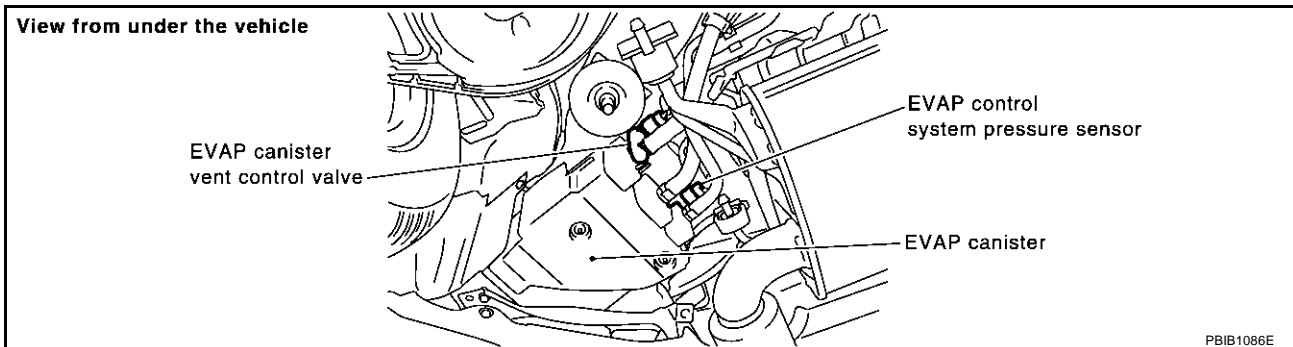
TER-MINAL NO.	WIRE COLOR	ITEM	CONDITION	DATA (DC Voltage)
111	GY/L	ECM relay (Self shut-off)	[Engine is running] [Ignition switch "OFF"] ● For a few seconds after turning ignition switch "OFF"	0 - 1.5V
			[Ignition switch "OFF"] ● A few seconds passed after turning ignition switch "OFF"	BATTERY VOLTAGE (11 - 14V)
117	G/W	EVAP canister vent control valve	[Ignition switch "ON"]	BATTERY VOLTAGE (11 - 14V)
119 120	G/Y P	Power supply for ECM	[Ignition switch "ON"]	BATTERY VOLTAGE (11 - 14V)

## Diagnostic Procedure

ABS0014U

### 1. CHECK RUBBER TUBE

1. Turn ignition switch "OFF".
2. Disconnect rubber tube connected to EVAP canister vent control valve.



3. Check the rubber tube for clogging.

OK or NG

- OK >> GO TO 2.  
NG >> Clean rubber tube using an air blower.

### 2. CHECK EVAP CANISTER VENT CONTROL VALVE

Refer to [EC-510, "EVAP CANISTER VENT CONTROL VALVE"](#).

OK or NG

- OK >> GO TO 3.  
NG >> Replace EVAP canister vent control valve.

# DTC P1446 EVAP CANISTER VENT CONTROL VALVE

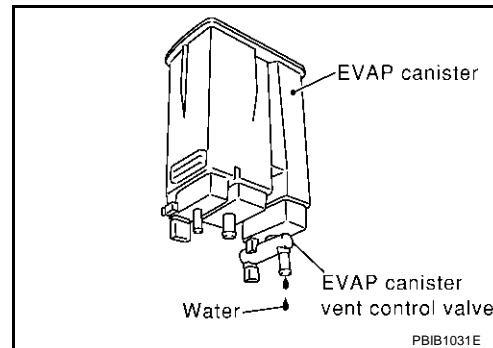
## 3. CHECK IF EVAP CANISTER SATURATED WITH WATER

1. Remove EVAP canister with EVAP canister vent control valve and EVAP control system pressure sensor attached.
2. Check if water will drain from the EVAP canister.

OK or NG

OK >> GO TO 4.

NG >> GO TO 6.



## 4. CHECK EVAP CANISTER

Weigh the EVAP canister with the EVAP canister vent control valve and EVAP control system pressure sensor attached.

**The weight should be less than 2.2 kg (4.9 lb).**

OK or NG

OK >> GO TO 6.

NG >> GO TO 5.

## 5. DETECT MALFUNCTIONING PART

Check the following.

- EVAP canister for damage
- EVAP hose between EVAP canister and vehicle frame for clogging or poor connection

>> Repair hose or replace EVAP canister.

## 6. CHECK EVAP CONTROL SYSTEM PRESSURE SENSOR CONNECTOR

1. Disconnect EVAP control system pressure sensor harness connector.
2. Check connectors for water.

**Water should not exist.**

OK or NG

OK >> GO TO 7.

NG >> Replace EVAP control system pressure sensor.

## 7. CHECK EVAP CONTROL SYSTEM PRESSURE SENSOR

Refer to [EC-360, "Component Inspection"](#) .

OK or NG

OK >> GO TO 8.

NG >> Replace EVAP control system pressure sensor.

## 8. CHECK INTERMITTENT INCIDENT

Refer to [EC-137, "TROUBLE DIAGNOSIS FOR INTERMITTENT INCIDENT"](#) .

>> **INSPECTION END**

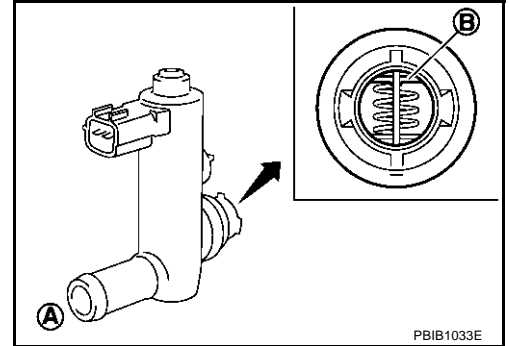
# DTC P1446 EVAP CANISTER VENT CONTROL VALVE

ABS0014V

## Component Inspection EVAP CANISTER VENT CONTROL VALVE

### Ⓜ With CONSULT-II

1. Remove EVAP canister vent control valve from EVAP canister.
2. Check portion **B** of EVAP canister vent control valve for being rusted.  
If NG, replace EVAP canister vent control valve.  
If OK, go to next step.
3. Reconnect harness connectors disconnected.
4. Turn ignition switch "ON".



5. Perform "VENT CONTROL/V" in "ACTIVE TEST" mode.
6. Check air passage continuity and operation delay time.  
**Make sure new O-ring is installed properly.**

Condition VENT CONTROL/V	Air passage continuity between A and B
ON	No
OFF	Yes

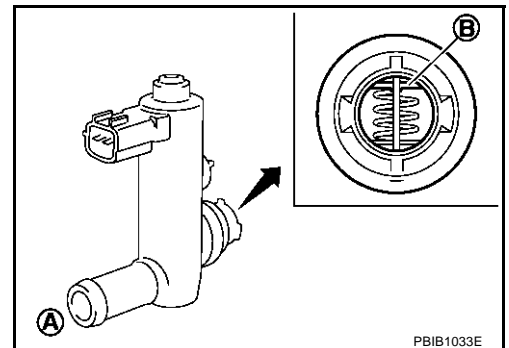
Operation takes less than 1 second.

If NG, replace EVAP canister vent control valve.  
If OK, go to next step.

7. Clean the air passage (Portion **A** to **B**) of EVAP canister vent control valve using an air blower.
8. Perform step 6 again.

### ⓧ Without CONSULT-II

1. Remove EVAP canister vent control valve from EVAP canister.
2. Check portion **B** of EVAP canister vent control valve for being rusted.



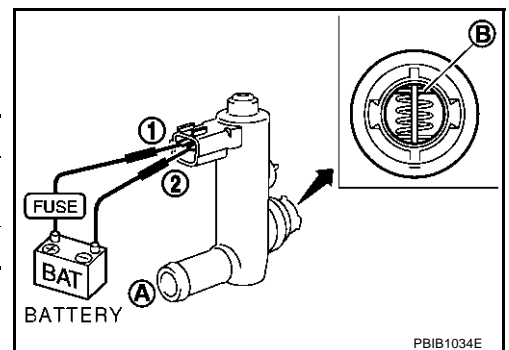
3. Check air passage continuity and operation delay time under the following conditions.  
**Make sure new O-ring is installed properly.**

Condition	Air passage continuity between A and B
12V direct current supply between terminals 1 and 2	No
OFF	Yes

Operation takes less than 1 second.

If NG, replace EVAP canister vent control valve.  
If OK, go to next step.

4. Clean the air passage (Portion **A** to **B**) of EVAP canister vent control valve using an air blower.



# DTC P1446 EVAP CANISTER VENT CONTROL VALVE

---

5. Perform step 3 again.

A

**EC**

C

D

E

F

G

H

I

J

K

L

M

# DTC P1564 ASCD STEERING SWITCH

## DTC P1564 ASCD STEERING SWITCH

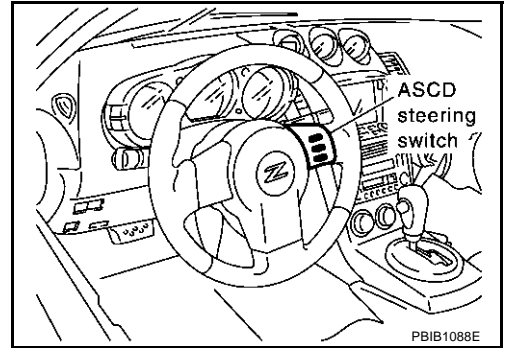
PFP:25551

### Component Description

ABS00152

ASCD steering switch has variant values of electrical resistance for each button. ECM reads voltage variation of switch, and determines which button is operated.

Refer to [EC-647, "AUTOMATIC SPEED CONTROL DEVICE \(ASCD\)"](#) for the ASCD function.



### CONSULT-II Reference Value in Data Monitor Mode

ABS00153

Specification data are reference values.

MONITOR ITEM	CONDITION		SPECIFICATION
MAIN SW	● Ignition switch: ON	CRUISE switch: Pressed	ON
		CRUISE switch: Released	OFF
CANCEL SW	● Ignition switch: ON	CANCEL switch: Pressed	ON
		CANCEL switch: Released	OFF
RESUME/ACC SW	● Ignition switch: ON	ACCEL/RES switch: Pressed	ON
		ACCEL/RES switch: Released	OFF
SET SW	● Ignition switch: ON	COAST/SET switch: Pressed	ON
		COAST/SET switch: Released	OFF

### On Board Diagnosis Logic

ABS00154

This self-diagnosis has the one trip detection logic.

The MIL will not light up for this diagnosis.

#### NOTE:

If DTC P1564 is displayed with DTC P0605, first perform the trouble diagnosis for DTC P0605. Refer to [EC-404](#).

DTC No.	Trouble Diagnosis Name	DTC Detecting Condition	Possible Cause
P1564 1564	ASCD steering switch	<ul style="list-style-type: none"> <li>● An excessively high voltage signal from the ASCD steering switch is sent to ECM.</li> <li>● ECM detects that input signal from the ASCD steering switch is out of the specified range.</li> <li>● ECM detects that the ASCD steering switch is stuck ON.</li> </ul>	<ul style="list-style-type: none"> <li>● Harness or connectors (The switch circuit is open or shorted.)</li> <li>● ASCD steering switch</li> <li>● ECM</li> </ul>



# DTC P1564 ASCD STEERING SWITCH

ABS00155

## DTC Confirmation Procedure

### NOTE:

If "DTC Confirmation Procedure" has been previously conducted, always turn ignition switch "OFF" and wait at least 10 seconds before conducting the next test.

### WITH CONSULT-II

1. Turn ignition switch "ON".
2. Select "DATA MONITOR" mode with CONSULT-II.
3. Wait at least 10 seconds.
4. Press "CRUISE" switch for at least 10 seconds, then release it and wait at least 10 seconds.
5. Press "ACCEL/RES" switch for at least 10 seconds, then release it and wait at least 10 seconds.
6. Press "COAST/SET" switch for at least 10 seconds, then release it and wait at least 10 seconds.
7. Press "CANCEL" switch for at least 10 seconds, then release it and wait at least 10 seconds.
8. If DTC is detected, go to [EC-516. "Diagnostic Procedure"](#) .

### WITH GST

Follow the procedure "WITH CONSULT-II" above.

A

EC

C

D

E

F

G

H

I

J

K

L

M

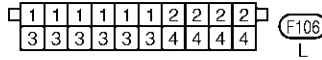
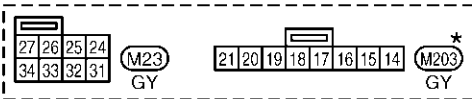
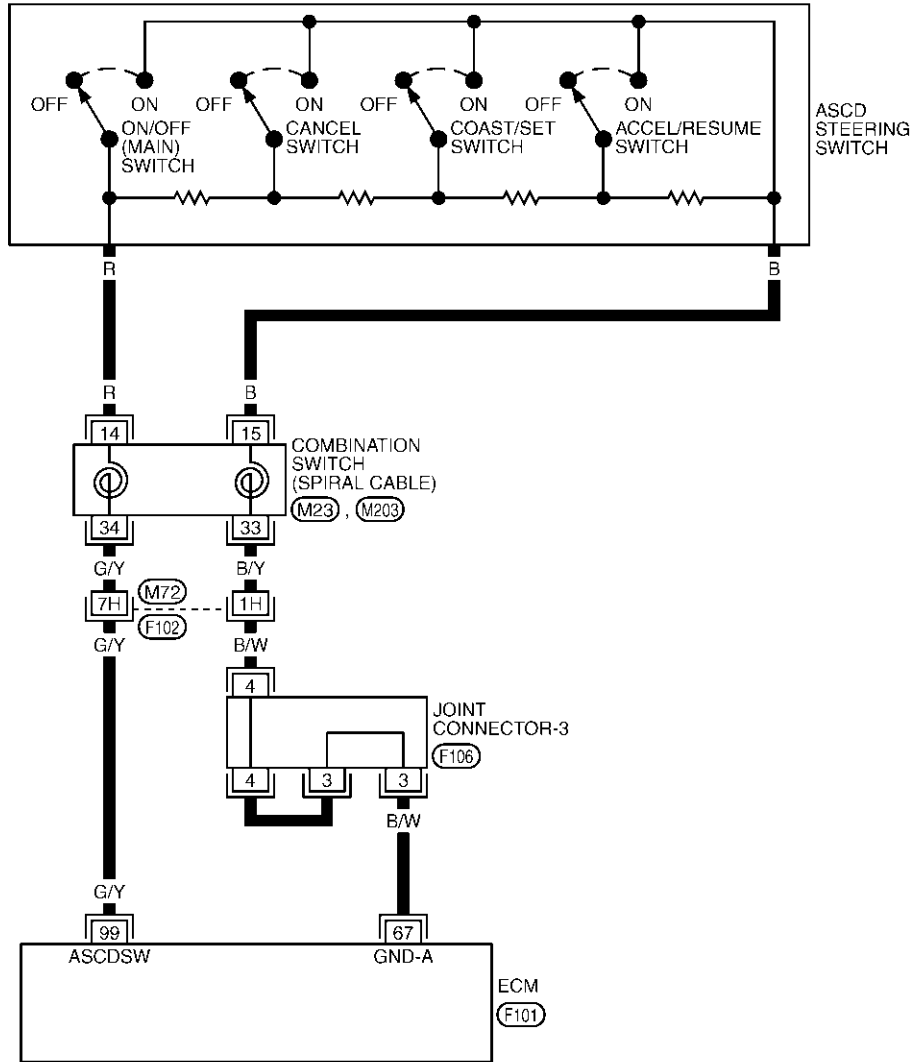
# DTC P1564 ASCD STEERING SWITCH

## Wiring Diagram

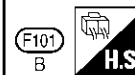
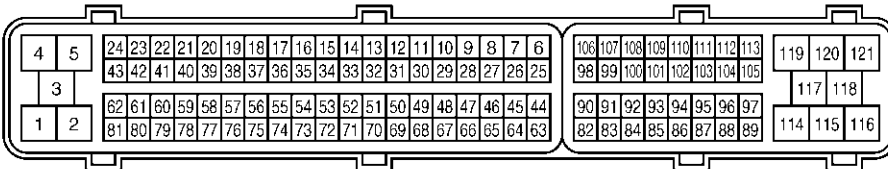
ABS00156

### EC-ASC/SW-01

: DETECTABLE LINE FOR DTC  
 : NON-DETECTABLE LINE FOR DTC



REFER TO THE FOLLOWING.  
 F102 -SUPER MULTIPLE JUNCTION (SMJ)



\*: THIS CONNECTOR IS NOT SHOWN IN "HARNESS LAYOUT", PG SECTION.

TBWT0232E

## DTC P1564 ASCD STEERING SWITCH

Specification data are reference values and are measured between each terminal and ground.

**CAUTION:**

**Do not use ECM ground terminals when measuring input/output voltage. Doing so may result in damage to the ECM's transistor. Use a ground other than ECM terminals, such as the ground.**

TER-MINAL NO.	WIRE COLOR	ITEM	CONDITION	DATA (DC Voltage)
67	B/W	Sensors' ground (Mass air flow sensor / IAT sensor / Power steering pressure sensor / EVAP control system pressure sensor / ASCD steering switch)	<b>[Engine is running]</b> <ul style="list-style-type: none"> <li>● Warm-up condition</li> <li>● Idle speed</li> </ul>	Approximately 0V
99	G/Y	ASCD steering switch	<b>[Ignition switch "ON"]</b> <ul style="list-style-type: none"> <li>● ASCD steering switch is released.</li> </ul>	Approximately 4V
			<b>[Ignition switch "ON"]</b> <ul style="list-style-type: none"> <li>● CRUISE switch is pressed.</li> </ul>	Approximately 0V
			<b>[Ignition switch "ON"]</b> <ul style="list-style-type: none"> <li>● CANCEL switch is pressed.</li> </ul>	Approximately 1V
			<b>[Ignition switch "ON"]</b> <ul style="list-style-type: none"> <li>● COAST/SET switch is pressed.</li> </ul>	Approximately 2V
			<b>[Ignition switch "ON"]</b> <ul style="list-style-type: none"> <li>● ACCEL/RESUME switch is pressed.</li> </ul>	Approximately 3V

A  
EC  
C  
D  
E  
F  
G  
H  
I  
J  
K  
L  
M

# DTC P1564 ASCD STEERING SWITCH

ABS00157

## Diagnostic Procedure

### 1. CHECK ASCD STEERING SWITCH CIRCUIT

#### With CONSULT-II

- Turn ignition switch "ON".
- Select "MAIN SW", "RESUME/ACC SW", "SET SW" and "CANCEL SW" in "DATA MONITOR" mode with CONSULT-II.
- Check each item indication under the following conditions.

Switch	Monitor item	Condition	Indication
CRUISE	MAIN SW	Pressed	ON
		Released	OFF
COAST/SET	SET SW	Pressed	ON
		Released	OFF
ACCEL/RES	RESUME/ACC SW	Pressed	ON
		Released	OFF
CANCEL	CANCEL SW	Pressed	ON
		Released	OFF

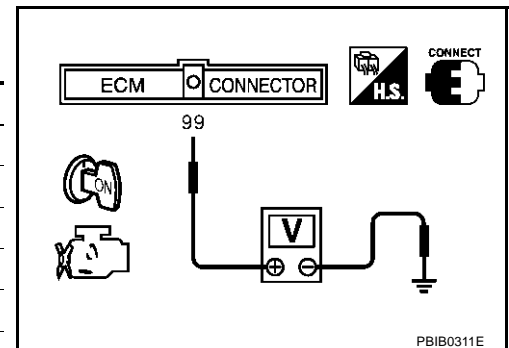
DATA MONITOR	
MONITOR	NO DTC
MAIN SW	OFF
CANCEL SW	OFF
RESUME/ACC SW	OFF
SET SW	OFF

SEC006D

#### Without CONSULT-II

- Turn ignition switch "ON".
- Check voltage between ECM terminal 99 and ground with pressing each button.

Switch	Condition	Voltage [V]
CRUISE SW	Pressed	Approx. 0
	Released	Approx. 4
COAST/SET SW	Pressed	Approx. 2
	Released	Approx. 4
ACCEL/RES SW	Pressed	Approx. 3
	Released	Approx. 4
CANCEL SW	Pressed	Approx. 1
	Released	Approx. 4



#### OK or NG

- OK >> GO TO 7.  
 NG >> GO TO 2.

### 2. CHECK ASCD STEERING SWITCH GROUND CIRCUIT FOR OPEN AND SHORT

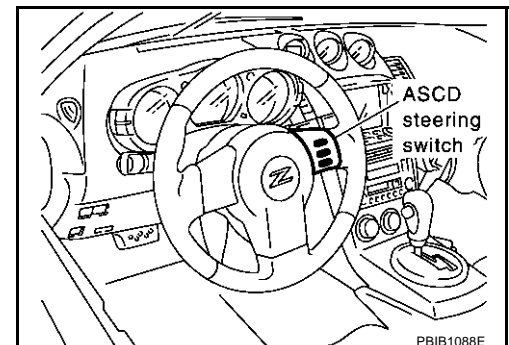
- Turn ignition switch "OFF".
- Disconnect combination switch harness connector M203.
- Check harness continuity between combination switch terminal 15 and ground. Refer to Wiring Diagram.

**Continuity should exist.**

- Also check harness for short to power.

#### OK or NG

- OK >> GO TO 4.  
 NG >> GO TO 3.



# DTC P1564 ASCD STEERING SWITCH

---

## 3. DETECT MALFUNCTIONING PART

---

Check the following.

- Harness connectors M72, F102
- Joint connector-3
- Combination switch (spiral cable)
- Harness for open and short between ECM and combination switch

>> Repair open circuit or short to power in harness or connectors.

---

## 4. CHECK ASCD STEERING SWITCH INPUT SIGNAL CIRCUIT FOR OPEN AND SHORT

---

1. Disconnect ECM harness connector.
2. Check harness continuity between ECM terminal 99 and combination switch terminal 14.  
Refer to Wiring Diagram.

**Continuity should exist.**

3. Also check harness for short to ground and short to power.

OK or NG

- OK >> GO TO 6.
- NG >> GO TO 5.

---

## 5. DETECT MALFUNCTIONING PART

---

Check the following.

- Harness connectors M72, F102
- Combination switch (spiral cable)
- Harness for open and short between ECM and combination switch

>> Repair open circuit or short to ground or short to power in harness or connectors.

---

## 6. CHECK ASCD STEERING SWITCH

---

Refer to [EC-518, "Component Inspection"](#) .

OK or NG

- OK >> GO TO 7.
- NG >> Replace steering wheel.

---

## 7. CHECK INTERMITTENT INCIDENT

---

Refer to [EC-137, "TROUBLE DIAGNOSIS FOR INTERMITTENT INCIDENT"](#) .

>> **INSPECTION END**

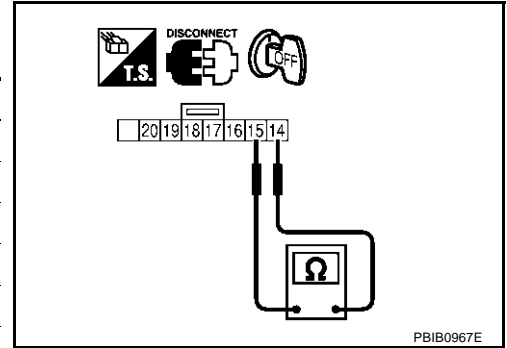
# DTC P1564 ASCD STEERING SWITCH

ABS00158

## Component Inspection ASCD STEERING SWITCH

1. Disconnect combination switch (spiral cable).
2. Check continuity between combination switch (spiral cable) terminals 14 and 15 with pushing each switch.

Switch	Condition	Resistance [ $\Omega$ ]
CRUISE SW	Pressed	Approx. 0
	Released	Approx. 4,000
COAST/SET SW	Pressed	Approx. 660
	Released	Approx. 4,000
ACCEL/RES SW	Pressed	Approx. 1,480
	Released	Approx. 4,000
CANCEL SW	Pressed	Approx. 250
	Released	Approx. 4,000



# DTC P1572 ASCD BRAKE SWITCH

## DTC P1572 ASCD BRAKE SWITCH

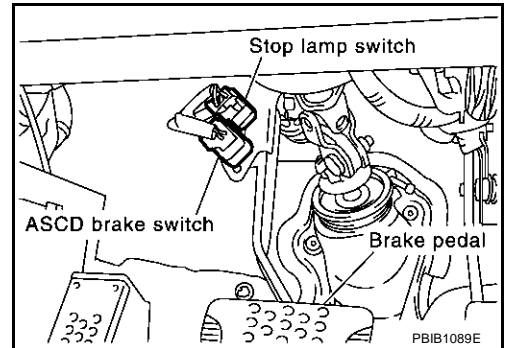
PF:25320

### Component Description

ABS00159

When the brake pedal is depressed, ASCD brake switch is turned OFF and stop lamp switch is turned ON. ECM detects the state of the brake pedal by this input of two kinds (ON/OFF signal).

Refer to [EC-647, "AUTOMATIC SPEED CONTROL DEVICE \(ASCD\)"](#) for the ASCD function.



### CONSULT-II Reference Value in Data Monitor Mode

ABS0015A

Specification data are reference values.

MONITOR ITEM	CONDITION	SPECIFICATION
BRAKE SW 1 (ASCD brake switch)	● Ignition switch: ON	● Clutch pedal (M/T) and brake pedal: Fully released ON
		● Clutch pedal (M/T) and/or brake pedal: Slightly depressed OFF
BRAKE SW 2 (stop lamp switch)	● Ignition switch: ON	● Brake pedal fully released OFF
		● Brake pedal depressed ON

### On Board Diagnosis Logic

ABS0015B

This self-diagnosis has the one trip detection logic.  
The MIL will not light up for this diagnosis.

#### NOTE:

- If DTC P1572 is displayed with DTC P0605, first perform the trouble diagnosis for DTC P0605. Refer to [EC-519](#).
- This self-diagnosis has one trip detection logic. When malfunction A is detected, DTC is not stored in ECM memory. And in that case, 1st trip DTC and 1st trip freeze frame data are displayed. 1st trip DTC is erased when ignition switch is turned OFF. And even when malfunction A is detected in two consecutive trips, DTC is not stored in ECM memory.

DTC No.	Trouble Diagnosis Name	DTC Detecting Condition	Possible Cause
P1572 1572	ASCD brake switch	A) ● When the vehicle speed is above 30km/h (19 MPH), ON signals from the stop lamp switch and the ASCD brake switch are sent to ECM at the same time.	● Harness or connectors (The stop lamp switch circuit is shorted.) ● Harness or connectors (The ASCD brake switch circuit is shorted.)
		B) ● ASCD brake switch signal is not sent to ECM for extremely long time while the vehicle is driving	● Harness or connectors (M/T models) (The ASCD clutch switch circuit is shorted.) ● Stop lamp switch ● ASCD brake switch ● ASCD clutch switch (M/T models) ● Incorrect stop lamp switch installation ● Incorrect ASCD brake switch installation ● Incorrect ASCD clutch switch installation (M/T models) ● ECM

# DTC P1572 ASCD BRAKE SWITCH

ABS0015C

## DTC confirmation Procedure

### CAUTION:

Always drive vehicle at a safe speed.

### NOTE:

- If "DTC Confirmation Procedure" has been previously conducted, always turn ignition switch "OFF" and wait at least 10 seconds before conducting the next test.
- Procedure for malfunction B is not described here. It takes extremely long time to complete procedure for malfunction B. By performing procedure for malfunction A, the incident that causes malfunction B can be detected.

### TESTING CONDITION:

Steps 4 and 5 may be conducted with the drive wheels lifted in the shop or by driving the vehicle. If a road test is expected to be easier, it is unnecessary to lift the vehicle.

### WITH CONSULT-II

1. Start engine (TCS switch or VDC switch "OFF").
2. Select "DATA MONITOR" mode with CONSULT-II.
3. Press CRUISE switch and make sure that CRUISE indicator lights up.
4. Drive the vehicle for at least 5 consecutive seconds under the following condition.

VHCL SPEED SE	More than 30 km/h (19 MPH)
Selector lever	Suitable position

If 1st trip DTC is detected, go to [EC-524, "Diagnostic Procedure"](#)

If 1st trip DTC is not detected, go to the following step.

5. Drive the vehicle for at least 5 consecutive seconds under the following condition.

VHCL SPEED SE	More than 30 km/h (19 MPH)
Selector lever	Suitable position
Driving location	Depress the brake pedal for more than five seconds so as not to come off from the above-mentioned vehicle speed.

6. If 1st trip DTC is detected, go to [EC-524, "Diagnostic Procedure"](#).

### WITH GST

Follow the procedure "WITH CONSULT-II" above.

DATA MONITOR	
MONITOR	NO DTC
ENG SPEED	XXX rpm
VHCL SPEED SE	XXX km/h
CRUISE LAMP	ON
BRAKE SW 1	ON
BRAKE SW 2	OFF

PBIB2386E

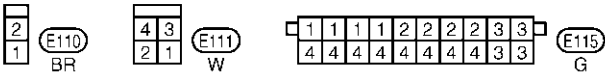
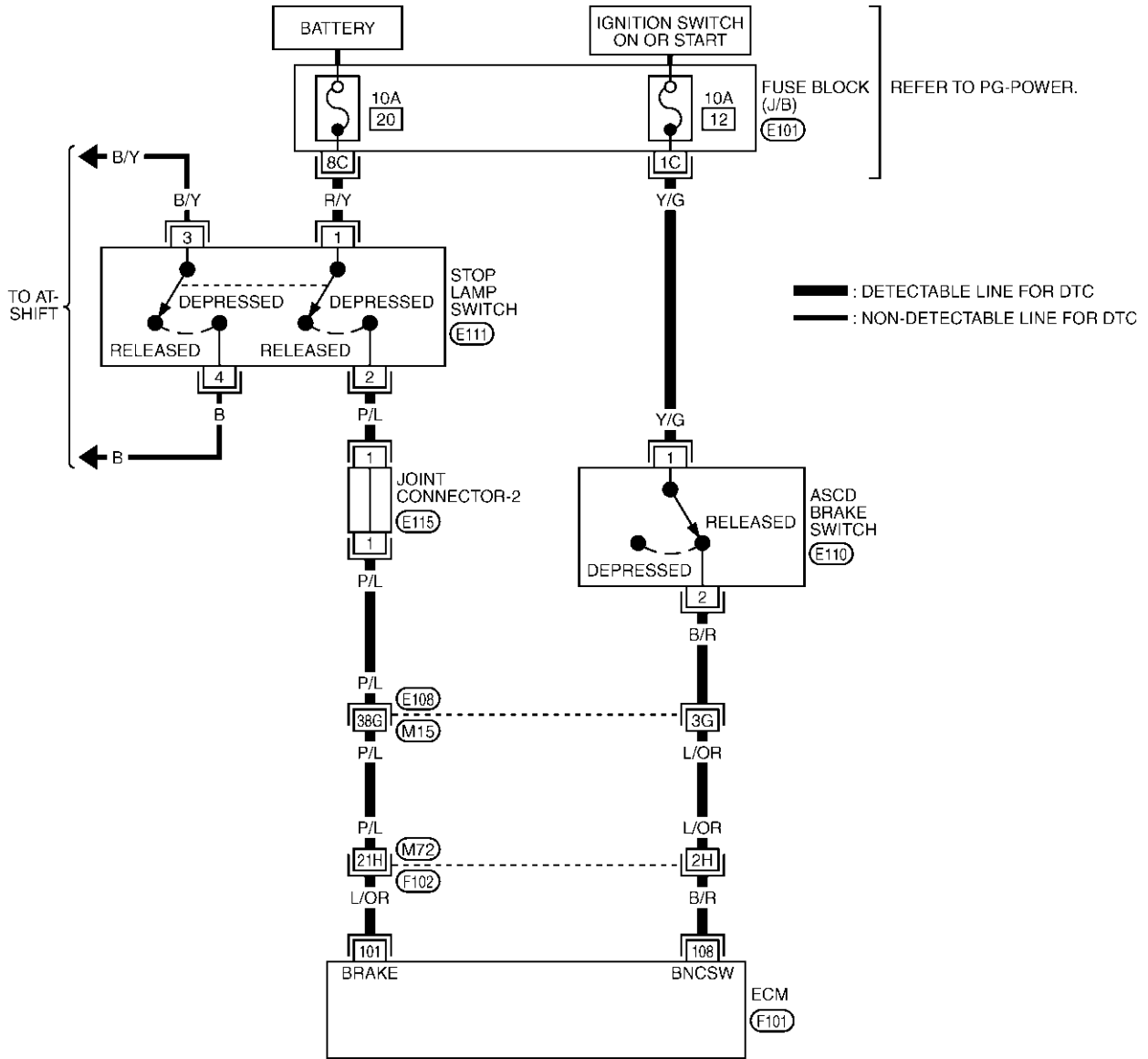


# DTC P1572 ASCD BRAKE SWITCH

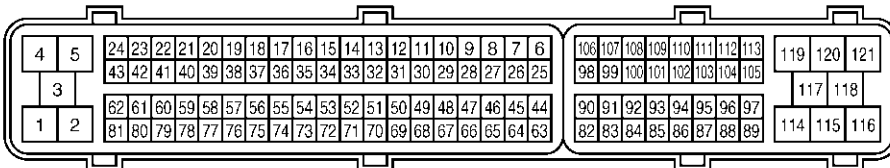
ABS002ZY

## Wiring Diagram A/T MODELS

EC-ASC/BS-01



REFER TO THE FOLLOWING.  
 (E108), (F102) -SUPER MULTIPLE JUNCTION (SMJ)  
 (E101) -FUSE BLOCK-JUNCTION BOX (J/B)



TBWT0233E

## DTC P1572 ASCD BRAKE SWITCH

Specification data are reference values and are measured between each terminal and ground.

**CAUTION:**

**Do not use ECM ground terminals when measuring input/output voltage. Doing so may result in damage to the ECM's transistor. Use a ground other than ECM terminals, such as the ground.**

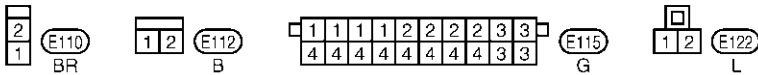
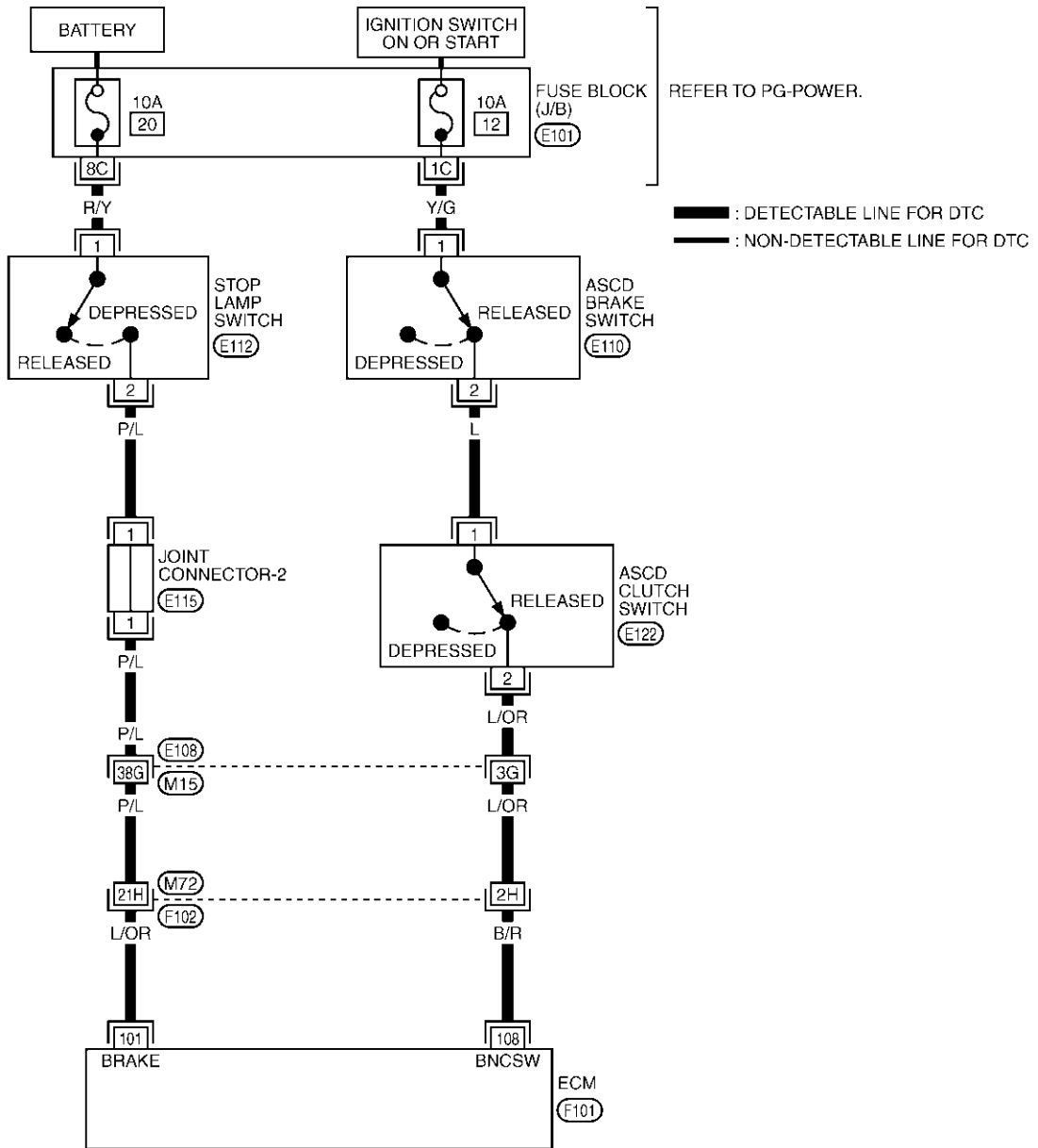
TER-MINAL NO.	WIRE COLOR	ITEM	CONDITION	DATA (DC Voltage)
101	L/OR	Stop lamp switch	<b>[Ignition switch "ON"]</b> ● Brake pedal is fully released	Approximately 0V
			<b>[Ignition switch "ON"]</b> ● Brake pedal is depressed	BATTERY VOLTAGE (11 - 14V)
108	B/R	ASCD brake switch	<b>[Ignition switch "ON"]</b> ● Brake pedal is depressed	Approximately 0V
			<b>[Ignition switch "ON"]</b> ● Brake pedal is fully released	BATTERY VOLTAGE (11 - 14V)

# DTC P1572 ASCD BRAKE SWITCH

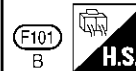
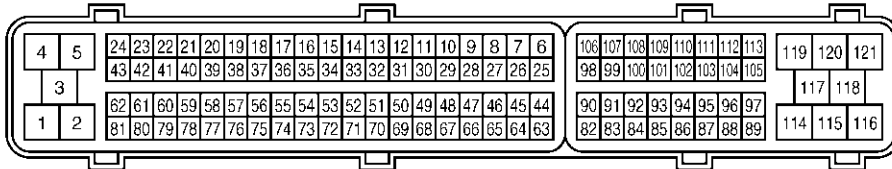
M/T MODELS

EC-ASC/BS-02

A  
EC  
C  
D  
E  
F  
G  
H  
I  
J  
K  
L  
M



REFER TO THE FOLLOWING.  
 (E108), (F102) -SUPER MULTIPLE JUNCTION (SMJ)  
 (E101) -FUSE BLOCK-JUNCTION BOX (J/B)



TBWT0234E

# DTC P1572 ASCD BRAKE SWITCH

Specification data are reference values and are measured between each terminal and ground.

**CAUTION:**

**Do not use ECM ground terminals when measuring input/output voltage. Doing so may result in damage to the ECM's transistor. Use a ground other than ECM terminals, such as the ground.**

TER-MINAL NO.	WIRE COLOR	ITEM	CONDITION	DATA (DC Voltage)
101	L/OR	Stop lamp switch	[Ignition switch "ON"] ● Brake pedal is fully released	Approximately 0V
			[Ignition switch "ON"] ● Brake pedal is depressed	BATTERY VOLTAGE (11 - 14V)
108	B/R	ASCD brake switch	[Ignition switch "ON"] ● Brake pedal and/or clutch pedal are depressed	Approximately 0V
			[Ignition switch "ON"] ● Brake pedal and clutch pedal are fully released	BATTERY VOLTAGE (11 - 14V)

## Diagnostic Procedure

ABS0015E

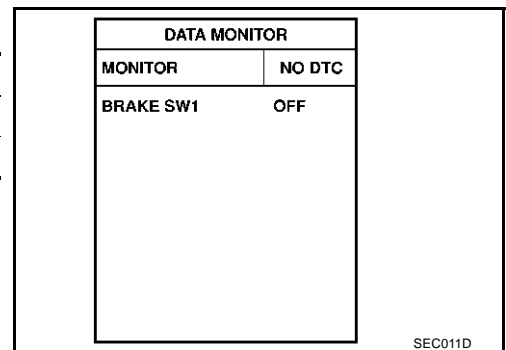
### A/T MODELS

#### 1. CHECK OVERALL FUNCTION-I

 **With CONSULT-II**

1. Turn ignition switch "ON".
2. Select "BRAKE SW1" in "DATA MONITOR" mode with CONSULT-II.
3. Check "BRAKE SW1" indication under the following conditions.

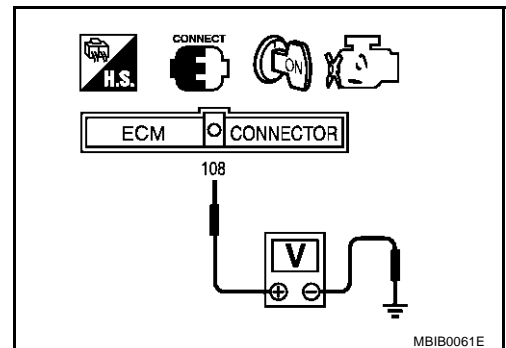
CONDITION	INDICATION
When brake pedal is depressed	OFF
When brake pedal is fully released	ON



 **Without CONSULT-II**

1. Turn ignition switch "ON".
2. Check voltage between ECM terminal 108 and ground under the following conditions.

CONDITION	VOLTAGE
When brake pedal is depressed	Approximately 0V
When brake pedal is fully released	Battery voltage



OK or NG

- OK >> GO TO 2.
- NG >> GO TO 3.

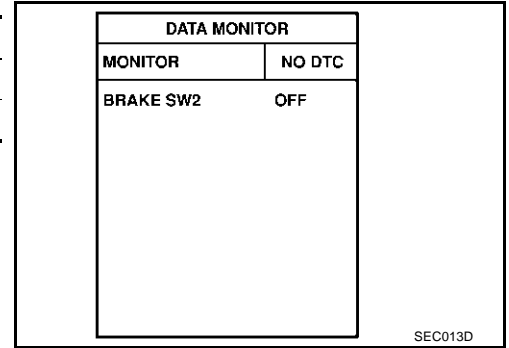
# DTC P1572 ASCD BRAKE SWITCH

## 2. CHECK OVERALL FUNCTION-II

### With CONSULT-II

Check "BRAKE SW2" indication in "DATA MONITOR" mode.

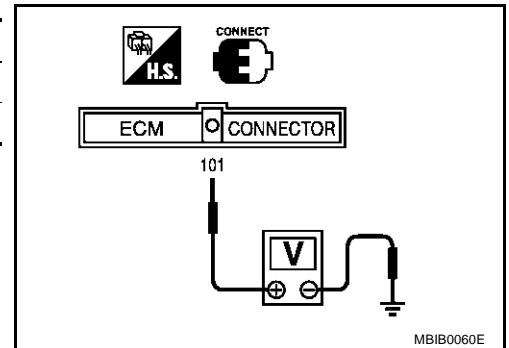
CONDITION	INDICATION
When brake pedal is released	OFF
When brake pedal is depressed	ON



### Without CONSULT-II

Check voltage between ECM terminal 101 and ground under the following conditions.

CONDITION	VOLTAGE
When brake pedal is released	Approximately 0V
When brake pedal is depressed	Battery voltage



### OK or NG

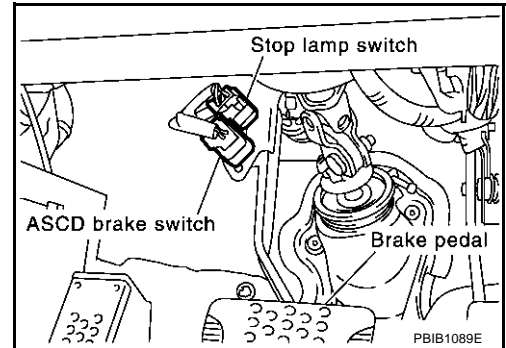
- OK >> GO TO 13.
- NG >> GO TO 8.

A  
EC  
C  
D  
E  
F  
G  
H  
I  
J  
K  
L  
M

## DTC P1572 ASCD BRAKE SWITCH

### 3. CHECK ASCD BRAKE SWITCH POWER SUPPLY CIRCUIT

1. Turn ignition switch "OFF".
2. Disconnect ASCD brake switch harness connector.
3. Turn ignition switch "ON".

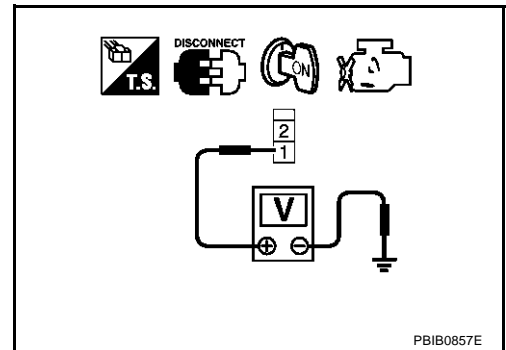


4. Check voltage between ASCD brake switch terminal 1 and ground with CONSULT-II or tester.

**Voltage: Battery voltage**

OK or NG

- OK >> GO TO 5.
- NG >> GO TO 4.



### 4. DETECT MALFUNCTIONING PART

Check the following.

- Fuse block (J/B) connector E101
- 10A fuse
- Harness for open or short between ASCD brake switch and fuse

>> Repair open circuit or short to ground or short to power in harness or connectors.

### 5. CHECK ASCD BRAKE SWITCH INPUT SIGNAL CIRCUIT FOR OPEN AND SHORT

1. Turn ignition switch "OFF".
2. Disconnect ECM harness connector.
3. Check harness continuity between ECM terminal 108 and ASCD brake switch terminal 2. Refer to Wiring Diagram.

**Continuity should exist.**

4. Also check harness for short to ground or short to power.

OK or NG

- OK >> GO TO 7.
- NG >> GO TO 6.

# DTC P1572 ASCD BRAKE SWITCH

## 6. DETECT MALFUNCTIONING PART

Check the following.

- Harness connectors E108, M15
- Harness connectors M72, F102
- Harness for open or short between ECM and ASCD brake switch

>> Repair open circuit or short to ground or short to power in harness or connectors.

## 7. CHECK ASCD BRAKE SWITCH

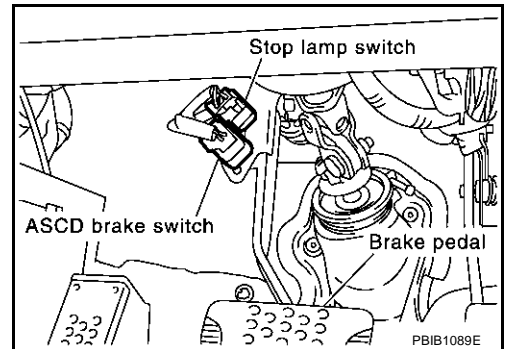
Refer to [EC-534, "Component Inspection"](#)

OK or NG

- OK >> GO TO 13.
- NG >> Replace ASCD brake switch.

## 8. CHECK STOP LAMP SWITCH POWER SUPPLY CIRCUIT

1. Turn ignition switch "OFF".
2. Disconnect stop lamp switch harness connector.

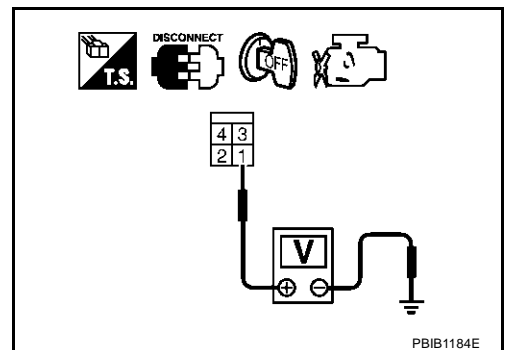


3. Check voltage between stop lamp switch terminal 1 and ground with CONSULT -II or tester.

**Voltage: Battery voltage**

OK or NG

- OK >> GO TO 10.
- NG >> GO TO 9.



## 9. DETECT MALFUNCTIONING PART

Check the following.

- Fuse block (J/B) connector E101
- 10A fuse
- Harness for open or short between stop lamp switch and fuse

>> Repair open circuit or short to ground or short to power in harness or connectors.

# DTC P1572 ASCD BRAKE SWITCH

---

## 10. CHECK STOP LAMP SWITCH INPUT SIGNAL CIRCUIT FOR OPEN AND SHORT

---

1. Disconnect ECM harness connector.
2. Check harness continuity between ECM terminal 101 and stop lamp switch terminal 2.  
Refer to Wiring Diagram.

**Continuity should exist.**

3. Also check harness for short to ground and short to power.

OK or NG

- OK >> GO TO 12.  
NG >> GO TO 11.

---

## 11. DETECT MALFUNCTIONING PART

---

Check the following.

- Harness connectors E108, M15
- Harness connectors M72, F102
- Joint connector-2
- Harness for open or short between ECM and stop lamp switch

>> Repair open circuit or short to ground or short to power in harness or connectors.

---

## 12. CHECK STOP LAMP SWITCH

---

Refer to [EC-534, "Component Inspection"](#)

OK or NG

- OK >> GO TO 13.  
NG >> Replace stop lamp switch.

---

## 13. CHECK INTERMITTENT INCIDENT

---

Refer to [EC-137, "TROUBLE DIAGNOSIS FOR INTERMITTENT INCIDENT"](#) .

>> **INSPECTION END**



# DTC P1572 ASCD BRAKE SWITCH

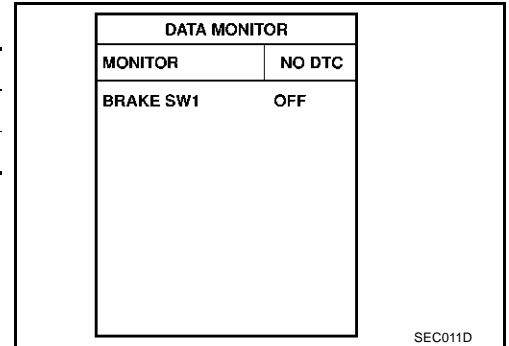
## M/T MODELS

### 1. CHECK OVERALL FUNCTION-I

#### With CONSULT-II

1. Turn ignition switch "ON".
2. Select "BRAKE SW1" in "DATA MONITOR" mode with CONSULT-II.
3. Check "BRAKE SW1" indication under the following conditions.

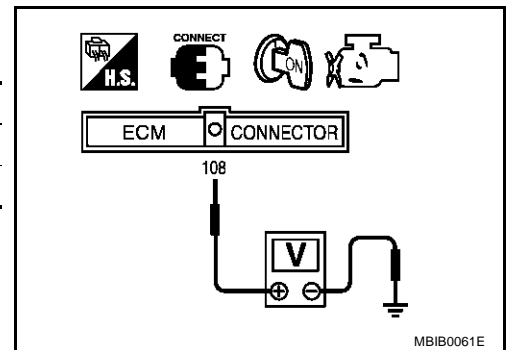
CONDITION	INDICATION
When brake pedal and/or clutch pedal are depressed	OFF
When brake pedal and clutch pedal are fully released	ON



#### Without CONSULT-II

1. Turn ignition switch "ON".
2. Check voltage between ECM terminal 108 and ground under the following conditions.

CONDITION	VOLTAGE
When brake pedal and/or clutch pedal are depressed	Approximately 0V
When brake pedal and clutch pedal are fully released	Battery voltage



#### OK or NG

- OK >> GO TO 2.  
 NG >> GO TO 3.

A  
 EC  
 C  
 D  
 E  
 F  
 G  
 H  
 I  
 J  
 K  
 L  
 M

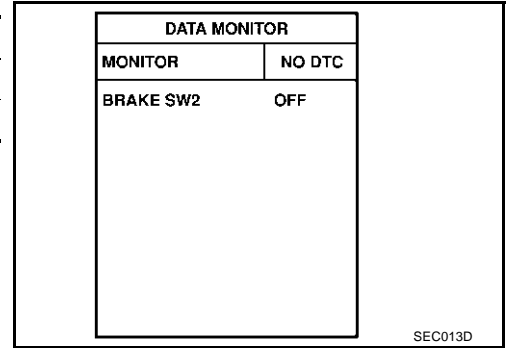
# DTC P1572 ASCD BRAKE SWITCH

## 2. CHECK OVERALL FUNCTION-II

### With CONSULT-II

Check "BRAKE SW2" indication in "DATA MONITOR" mode.

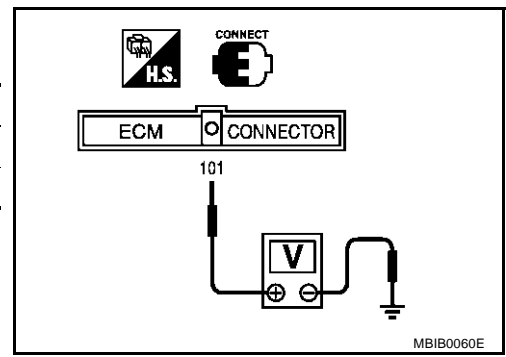
CONDITION	INDICATION
When brake pedal is released	OFF
When brake pedal is depressed	ON



### Without CONSULT-II

Check voltage between ECM terminal 101 and ground under the following conditions.

CONDITION	VOLTAGE
When brake pedal is released	Approximately 0V
When brake pedal is depressed	Battery voltage

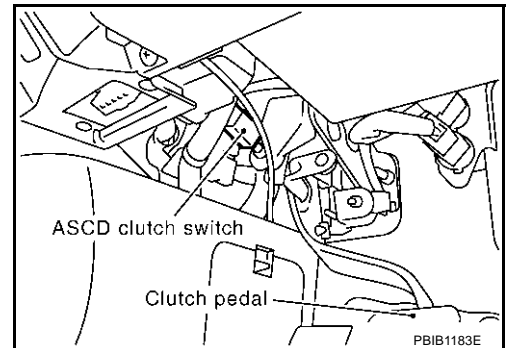


OK or NG

- OK >> GO TO 16.
- NG >> GO TO 11.

## 3. CHECK ASCD BRAKE SWITCH CIRCUIT

1. Turn ignition switch "OFF".
2. Disconnect ASCD clutch switch harness connector.
3. Turn ignition switch "ON".

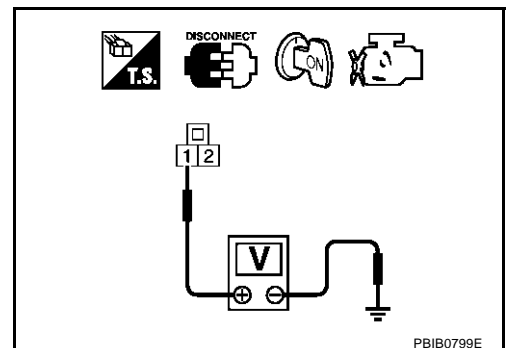


4. Check voltage between ASCD clutch switch terminal 1 and ground with CONSULT-II or tester.

**Voltage: Battery voltage**

OK or NG

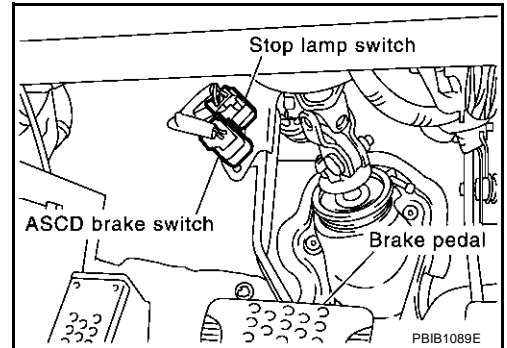
- OK >> GO TO 8.
- NG >> GO TO 4.



# DTC P1572 ASCD BRAKE SWITCH

## 4. CHECK ASCD BRAKE SWITCH POWER SUPPLY CIRCUIT

1. Turn ignition switch "OFF".
2. Disconnect ASCD brake switch harness connector.
3. Turn ignition switch "ON".

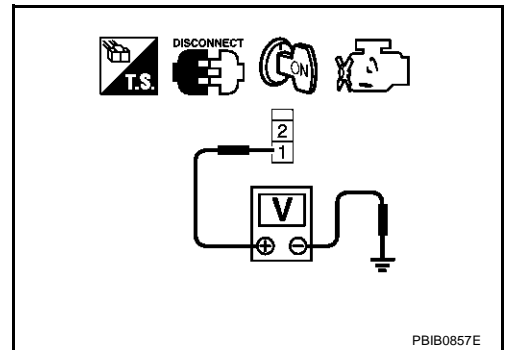


4. Check voltage between ASCD brake switch terminal 1 and ground with CONSULT-II or tester.

**Voltage: Battery voltage**

OK or NG

- OK >> GO TO 6.
- NG >> GO TO 5.



## 5. DETECT MALFUNCTIONING PART

Check the following.

- Fuse block (J/B) connector E101
- 10A fuse
- Harness for open or short between ASCD brake switch and fuse

>> Repair open circuit or short to ground or short to power in harness or connectors.

## 6. CHECK ASCD BRAKE SWITCH INPUT SIGNAL CIRCUIT FOR OPEN AND SHORT

1. Turn ignition switch "OFF".
2. Check harness continuity between ASCD brake switch terminal 2 and ASCD clutch switch terminal 1. Refer to Wiring Diagram.

**Continuity should exist.**

3. Also check harness for short to ground or short to power.

OK or NG

- OK >> GO TO 7.
- NG >> Repair open circuit or short to ground or short to power in harness or connectors.

## 7. CHECK ASCD BRAKE SWITCH

Refer to [EC-534, "Component Inspection"](#)

OK or NG

- OK >> GO TO 16.
- NG >> Replace ASCD brake switch.

# DTC P1572 ASCD BRAKE SWITCH

## 8. CHECK ASCD CLUTCH SWITCH INPUT SIGNAL CIRCUIT FOR OPEN AND SHORT

1. Turn ignition switch "OFF".
2. Disconnect ECM harness connector.
3. Check harness continuity between ASCD clutch switch terminal 2 and ECM terminal 108.  
Refer to Wiring Diagram.

**Continuity should exist.**

4. Also check harness for short to ground or short to power.

OK or NG

- OK >> GO TO 10.  
NG >> GO TO 9.

## 9. DETECT MALFUNCTIONING PART

Check the following.

- Harness connectors E108, M15
- Harness connectors M72, F102
- Harness for open or short between ECM and ASCD clutch switch

>> Repair open circuit or short to ground or short to power in harness or connectors.

## 10. CHECK ASCD CLUTCH SWITCH

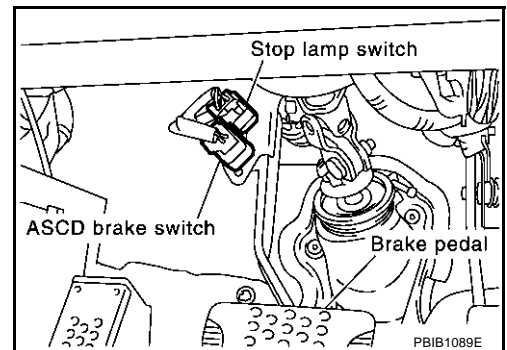
Refer to [EC-534, "Component Inspection"](#).

OK or NG

- OK >> GO TO 16.  
NG >> Replace ASCD clutch switch.

## 11. CHECK STOP LAMP SWITCH POWER SUPPLY CIRCUIT

1. Turn ignition switch "OFF".
2. Disconnect stop lamp switch harness connector.

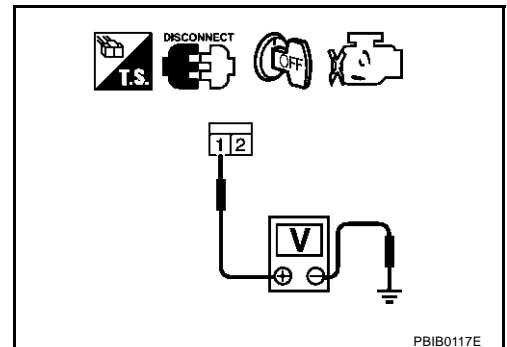


3. Check voltage between stop lamp switch terminal 1 and ground with CONSULT -II or tester.

**Voltage: Battery voltage**

OK or NG

- OK >> GO TO 13.  
NG >> GO TO 12.



# DTC P1572 ASCD BRAKE SWITCH

---

## 12. DETECT MALFUNCTIONING PART

---

Check the following.

- Fuse block (J/B) connector E101
- 10A fuse
- Harness for open or short between stop lamp switch and fuse

>> Repair open circuit or short to ground or short to power in harness or connectors.

---

## 13. CHECK STOP LAMP SWITCH INPUT SIGNAL CIRCUIT FOR OPEN AND SHORT

---

1. Disconnect ECM harness connector.
2. Check harness continuity between ECM terminal 101 and stop lamp switch terminal 2.  
Refer to Wiring Diagram.

**Continuity should exist.**

3. Also check harness for short to ground and short to power.

OK or NG

- OK >> GO TO 15.  
NG >> GO TO 14.

---

## 14. DETECT MALFUNCTIONING PART

---

Check the following.

- Harness connectors E108, M15
- Harness connectors M72, F102
- Joint connector-2
- Harness for open or short between ECM and stop lamp switch

>> Repair open circuit or short to ground or short to power in harness or connectors.

---

## 15. CHECK STOP LAMP SWITCH

---

Refer to [EC-534, "Component Inspection"](#)

OK or NG

- OK >> GO TO 16.  
NG >> Replace stop lamp switch.

---

## 16. CHECK INTERMITTENT INCIDENT

---

Refer to [EC-137, "TROUBLE DIAGNOSIS FOR INTERMITTENT INCIDENT"](#) .

>> **INSPECTION END**

A  
EC  
C  
D  
E  
F  
G  
H  
I  
J  
K  
L  
M

# DTC P1572 ASCD BRAKE SWITCH

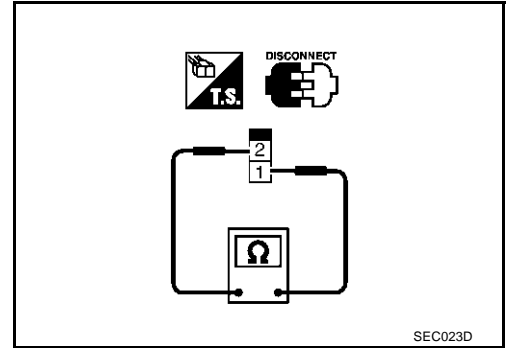
ABS0015F

## Component Inspection ASC D BRAKE SWITCH

1. Turn ignition switch "OFF".
2. Disconnect ASCD brake switch harness connector.
3. Check harness continuity between ASCD brake switch terminals 1 and 2 under the following conditions.

Condition	Continuity
When brake pedal is fully released.	Should exist.
When brake pedal is depressed.	Should not exist.

If NG, adjust ASCD brake switch installation, refer to [BR-6](#), "[BRAKE PEDAL](#)", and perform step 3 again.

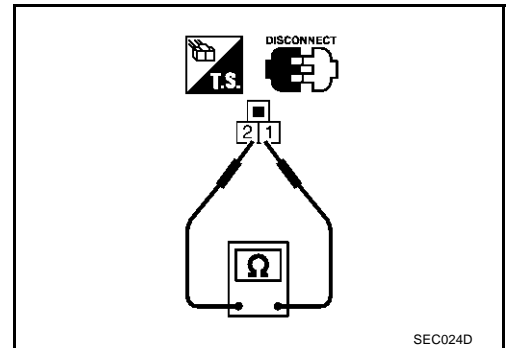


## ASC D CLUTCH SWITCH

1. Turn ignition switch "OFF".
2. Disconnect ASCD clutch switch harness connector.
3. Check harness continuity between ASCD clutch switch terminals 1 and 2 under the following conditions.

Condition	Continuity
When clutch pedal is fully released.	Should exist.
When clutch pedal is depressed.	Should not exist.

If NG, adjust ASCD clutch switch installation, refer to [CL-5](#), "[CLUTCH PEDAL](#)", and perform step 3 again.

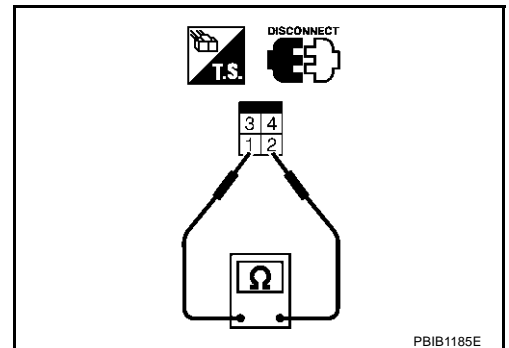


## STOP LAMP SWITCH (FOR A/T MODELS)

1. Turn ignition switch "OFF".
2. Disconnect stop lamp switch harness connector.
3. Check harness continuity between stop lamp switch terminals 1 and 2 under the following conditions.

Condition	Continuity
When brake pedal is fully released.	Should not exist.
When brake pedal is depressed.	Should exist.

If NG, adjust stop lamp switch installation, refer to [BR-6](#), "[BRAKE PEDAL](#)", and perform step 3 again.



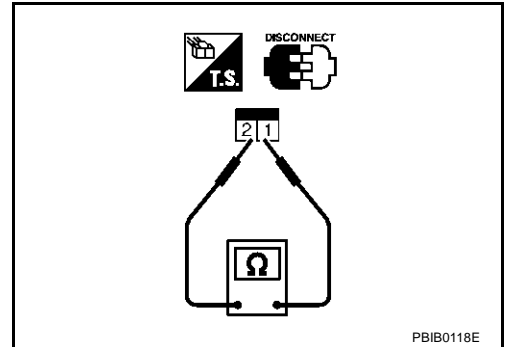
# DTC P1572 ASCD BRAKE SWITCH

## STOP LAMP SWITCH (FOR M/T MODELS)

1. Turn ignition switch "OFF".
2. Disconnect stop lamp switch harness connector.
3. Check harness continuity between stop lamp switch terminals 1 and 2 under the following conditions.

Condition	Continuity
When brake pedal is fully released.	Should not exist.
When brake pedal is depressed.	Should exist.

If NG, adjust stop lamp switch installation, refer to [BR-6](#), "[BRAKE PEDAL](#)", and perform step 3 again.



A

EC

C

D

E

F

G

H

I

J

K

L

M

# DTC P1574 ASCD VEHICLE SPEED SENSOR

## DTC P1574 ASCD VEHICLE SPEED SENSOR

PFP:31036

### Component Description

ABS0015G

The ECM receives two vehicle speed sensor signals via CAN communication line. One is sent from unified meter and A/C amp., and the other is from TCM (Transmission control module). The ECM uses these signals for ASCD control. Refer to [EC-647, "AUTOMATIC SPEED CONTROL DEVICE \(ASCD\)"](#) for ASCD functions.

### On Board Diagnosis Logic

ABS0015H

This self-diagnosis has the one trip detection logic.  
The MIL will not light up for this diagnosis.

#### NOTE:

- If DTC P1574 is displayed with DTC U1000, U1001, first perform the trouble diagnosis for DTC U1000, U1001. Refer to [EC-145, "DTC U1000, U1001 CAN COMMUNICATION LINE"](#).
- If DTC P1574 is displayed with DTC P0500, first perform the trouble diagnosis for DTC P0500. Refer to [EC-393, "DTC P0500 VSS"](#)
- If DTC P1574 is displayed with DTC P0605, first perform the trouble diagnosis for DTC P0605. Refer to [EC-404, "DTC P0605 ECM"](#)

DTC No.	Trouble Diagnosis Name	DTC Detecting Condition	Possible Cause
P1574 1574	ASCD vehicle speed sensor	ECM detects a difference between two vehicle speed signals is out of the specified range.	<ul style="list-style-type: none"><li>● Harness or connectors (The CAN communication line is open or shorted.)</li><li>● Unified meter and A/C amp.</li><li>● ABS actuator and electric unit (control unit) (models without VDC)</li><li>● VDC/TCS/ABS control unit (models with VDC)</li><li>● Wheel sensor</li><li>● TCM</li><li>● ECM</li></ul>

### DTC Confirmation Procedure

ABS0015I

#### CAUTION:

Always drive vehicle at a safe speed.

#### NOTE:

If "DTC Confirmation Procedure" has been previously conducted, always turn ignition switch "OFF" and wait at least 10 seconds before conducting the next test.

#### TESTING CONDITION:

Step 3 may be conducted with the drive wheels lifted in the shop or by driving the vehicle. If a road test is expected to be easier, it is unnecessary to lift the vehicle.

#### Ⓟ WITH CONSULT-II

1. Start engine (TCS switch or VDC switch "OFF").
2. Select "DATA MONITOR" mode with CONSULT-II.
3. Drive the vehicle at more than 40 km/h (25 MPH).
4. If DTC is detected, go to [EC-537, "Diagnostic Procedure"](#).

DATA MONITOR	
MONITOR	NO DTC
ENG SPEED	XXX rpm

SEF058Y

#### Ⓟ WITH GST

Follow the procedure "WITH CONSULT-II" above.



# DTC P1574 ASCD VEHICLE SPEED SENSOR

## Diagnostic Procedure

ABS0015J

### 1. CHECK DTC WITH TCM

Check DTC with TCM. Refer to [AT-36](#) .

OK or NG

OK >> GO TO 2.

NG >> Perform trouble shooting relevant to DTC indicated.

### 2. CHECK DTC WITH VDC/TCS ABS CONTROL UNIT (MODELS WITH VDC) OR ABS ACTUATOR AND ELECTRIC UNIT (CONTROL UNIT) (MODELS WITHOUT VDC)

Refer to [BRC-53, "TROUBLE DIAGNOSIS"](#) or [BRC-101, "TROUBLE DIAGNOSIS"](#) .

OK or NG

OK >> GO TO 3.

NG >> Repair or replace.

### 3. CHECK DTC WITH UNIFIED METER AND A/C AMP.

Refer to [DI-4, "COMBINATION METERS"](#) .

>> INSPECTION END

A

EC

C

D

E

F

G

H

I

J

K

L

M

# DTC P1706 PNP SWITCH

## DTC P1706 PNP SWITCH

PFP:32006

### Component Description

ABS0002P

When the gear position is "P" or "N" (A/T), "Neutral" (M/T), park/neutral position (PNP) switch is "ON". ECM detects the position because the continuity of the line (the "ON" signal) exists.

### CONSULT-II Reference Value in Data Monitor Mode

ABS002ZZ

Specification data are reference values.

MONITOR ITEM	CONDITION		SPECIFICATION
P/N POSI SW	● Ignition switch: ON	Shift lever: P or N (A/T), Neutral (M/T)	ON
		Shift lever: Except above	OFF

### On Board Diagnosis Logic

ABS00300

DTC No.	Trouble diagnosis name	DTC detecting condition	Possible cause
P1706 1706	Park/neutral position switch	The signal of the park/neutral position (PNP) switch is not changed in the process of engine starting and driving.	<ul style="list-style-type: none"> <li>● Harness or connectors [The park/neutral position (PNP) switch circuit is open or shorted.]</li> <li>● Park/neutral position (PNP) switch</li> <li>● Unified meter and A/C amp. (A/T models)</li> </ul>

### DTC Confirmation Procedure

ABS0002S

#### CAUTION:

Always drive vehicle at a safe speed.

#### NOTE:

If "DTC Confirmation Procedure" has been previously conducted, always turn ignition switch "OFF" and wait at least 10 seconds before conducting the next test.

#### WITH CONSULT-II

1. Turn ignition switch "ON".
2. Select "P/N POSI SW" in "DATA MONITOR" mode with CONSULT-II. Then check the "P/N POSI SW" signal under the following conditions.

Position (Selector lever)	Known-good signal
"N" and "P" position (A/T) "Neutral" position (M/T)	ON
Except the above position	OFF

If NG, go to [EC-543. "Diagnostic Procedure"](#).  
If OK, go to following step.

3. Select "DATA MONITOR" mode with CONSULT-II.
4. Start engine and warm it up to normal operating temperature.
5. Maintain the following conditions for at least 60 consecutive seconds.

ENG SPEED	1,400 - 6375 rpm
COOLAN TEMP/S	More than 70°C (158°F)
B/FUEL SCHDL	2.0 - 31.8 msec
VHCL SPEED SE	More than 64 km/h (40 MPH)
Selector lever	Suitable position

6. If 1st trip DTC is detected, go to [EC-543. "Diagnostic Procedure"](#)

DATA MONITOR	
MONITOR	NO DTC
P/N POSI SW	ON

SEF212Y

DATA MONITOR	
MONITOR	NO DTC
ENG SPEED	XXX rpm
COOLAN TEMP/S	XXX °C
VHCL SPEED SE	XXX km/h
P/N POSI SW	OFF
B/FUEL SCHDL	XXX msec

SEF213Y

# DTC P1706 PNP SWITCH

ABS000ZT

## Overall Function Check

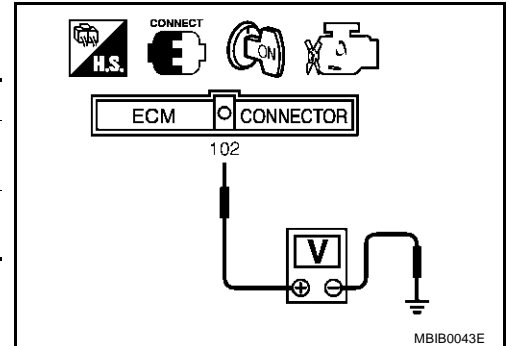
Use this procedure to check the overall function of the park/neutral position (PNP) switch circuit. During this check, a 1st trip DTC might not be confirmed.

### WITH GST

1. Turn ignition switch "ON".
2. Check voltage between ECM terminal 102 (PNP switch signal) and ground under the following conditions.

Condition (Gear position)	Voltage V (Known good data)
"P" and "N" position (A/T) "Neutral" position (M/T)	Approx. 0
Except the above position	BATTERY VOLTAGE (11 - 14V)

3. If NG, go to [EC-543, "Diagnostic Procedure"](#) .



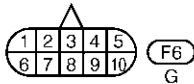
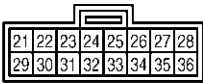
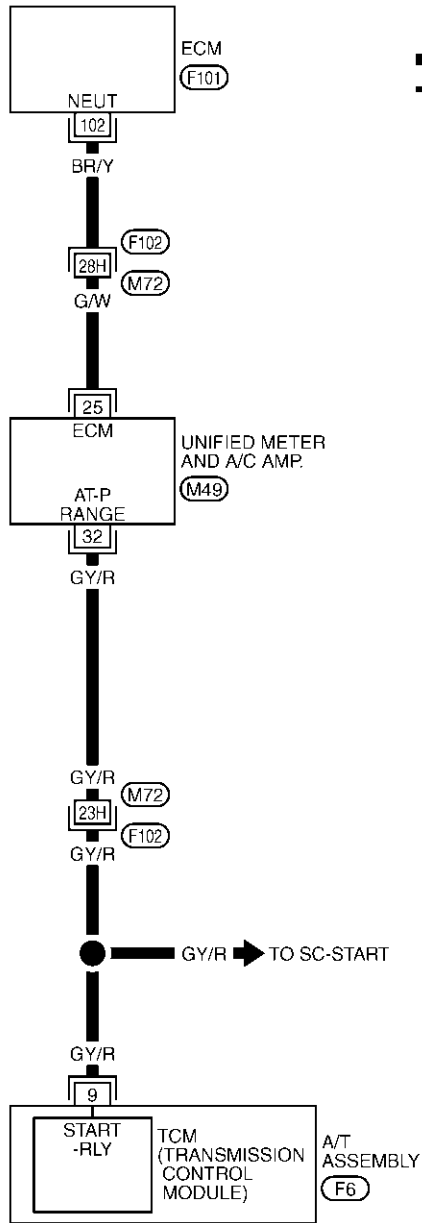
A  
EC  
C  
D  
E  
F  
G  
H  
I  
J  
K  
L  
M

# DTC P1706 PNP SWITCH

## Wiring Diagram A/T MODELS

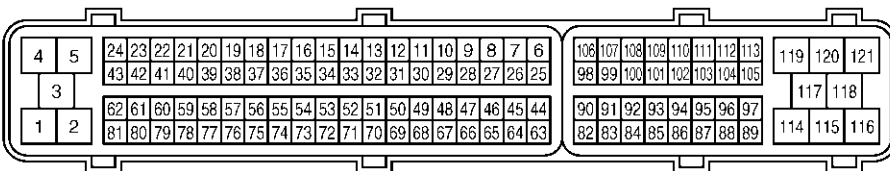
ABS00301

### EC-PNP/SW-01



REFER TO THE FOLLOWING.

(F102) -SUPER MULTIPLE JUNCTION (SMJ)



TBWT0235E

## DTC P1706 PNP SWITCH

Specification data are reference values and are measured between each terminal and ground.

**CAUTION:**

**Do not use ECM ground terminals when measuring input/output voltage. Doing so may result in damage to the ECM's transistor. Use a ground other than ECM terminals, such as the ground.**

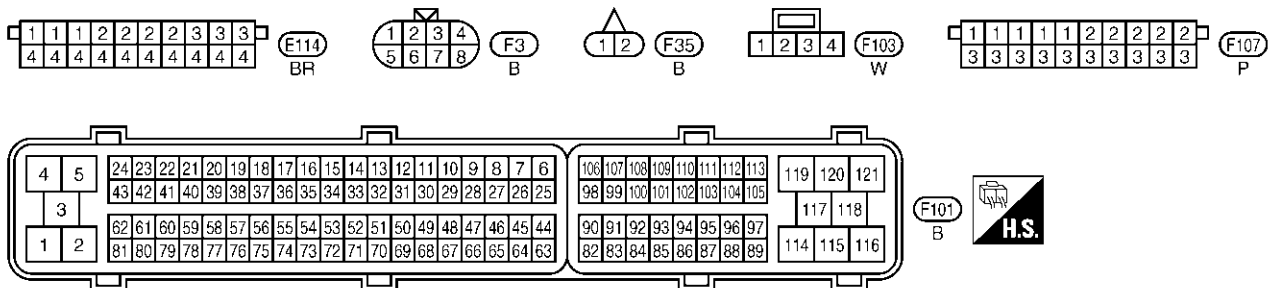
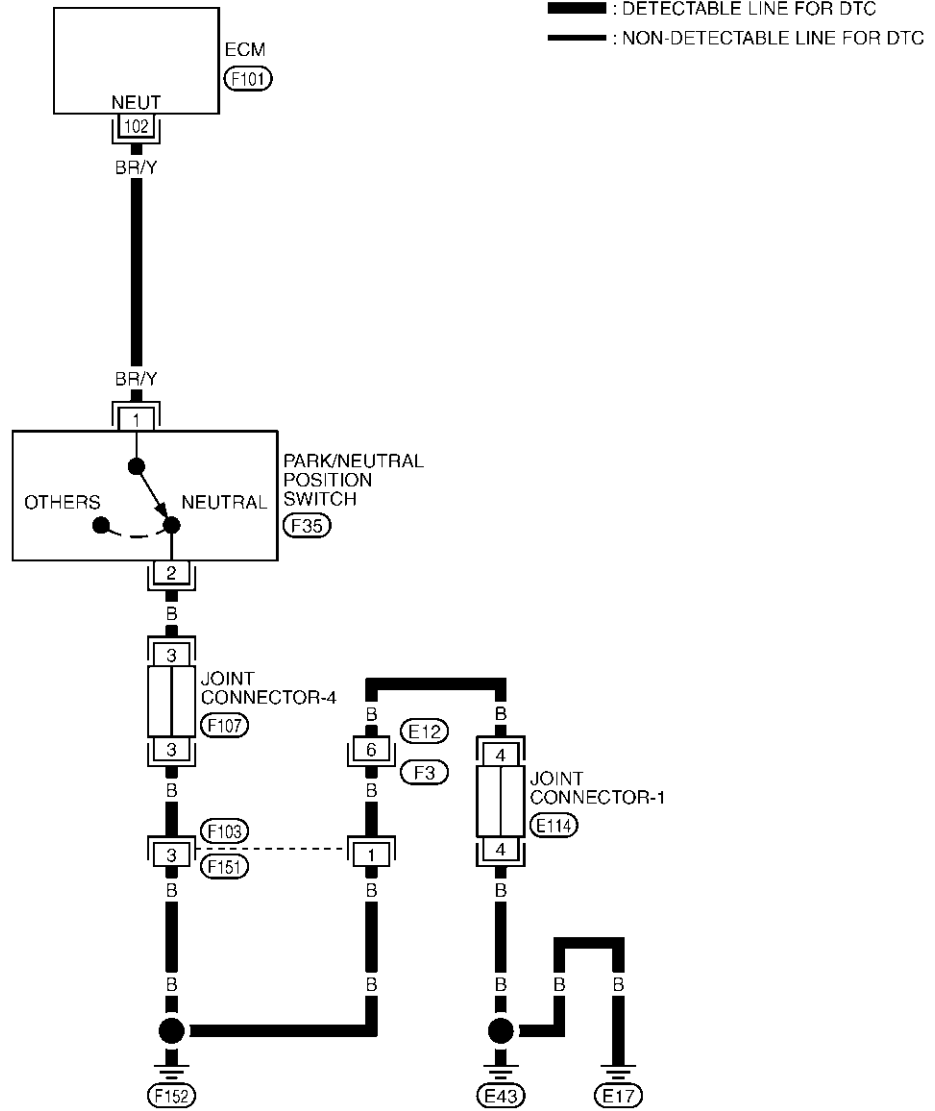
TER-MINAL NO.	WIRE COLOR	ITEM	CONDITION	DATA (DC Voltage)
102	BR/Y	PNP switch	<b>[Ignition switch "ON"]</b> ● Shift lever: "P" or "N"	Approximately 0V
			<b>[Ignition switch "ON"]</b> ● Except the above gear position	BATTERY VOLTAGE (11 - 14V)

A  
EC  
C  
D  
E  
F  
G  
H  
I  
J  
K  
L  
M

# DTC P1706 PNP SWITCH

M/T MODELS

EC-PNP/SW-02



TBWT0236E

# DTC P1706 PNP SWITCH

Specification data are reference values and are measured between each terminal and ground.

## CAUTION:

Do not use ECM ground terminals when measuring input/output voltage. Doing so may result in damage to the ECM's transistor. Use a ground other than ECM terminals, such as the ground.

TER-MINAL NO.	WIRE COLOR	ITEM	CONDITION	DATA (DC Voltage)
102	BR/Y	PNP switch	[Ignition switch "ON"] ● Shift lever: "Neutral"	Approximately 0V
			[Ignition switch "ON"] ● Except the above gear position	BATTERY VOLTAGE (11 - 14V)

## Diagnostic Procedure

ABS00302

### A/T MODELS

#### 1. CHECK DTC WITH TCM

Refer to [AT-36, "OBD-II Diagnostic Trouble Code \(DTC\)"](#).

OK or NG

OK >> GO TO 2.

NG >> Repair or replace.

#### 2. CHECK STARTING SYSTEM

Turn ignition switch "OFF", then turn it to "START".

**Does starter motor operate?**

Yes or No

Yes >> GO TO 3.

No >> Refer to [SC-10, "STARTING SYSTEM"](#).

#### 3. CHECK PNP SWITCH INPUT SIGNAL CIRCUIT FOR OPEN AND SHORT-I

1. Turn ignition switch "OFF".
2. Disconnect A/T assembly harness connector.
3. Disconnect "unified meter and A/C amp." harness connector.
4. Check harness continuity between A/T assembly terminal 9 and "unified meter and A/C amp." terminal 32. Refer to Wiring Diagram.

**Continuity should exist.**

5. Also check harness for short to ground and short to power.

OK or NG

OK >> GO TO 5.

NG >> GO TO 4.

#### 4. DETECT MALFUNCTIONING PART

Check the following.

- Harness connectors F102, M72
- Harness for open or short between A/T assembly and "unified meter and A/C amp."

>> Repair open circuit or short to ground or short to power in harness or connectors.

## DTC P1706 PNP SWITCH

---

### 5. CHECK PNP SWITCH INPUT SIGNAL CIRCUIT FOR OPEN AND SHORT-II

---

1. Disconnect ECM harness connector.
2. Check harness continuity between ECM terminal 102 and “unified meter and A/C amp.” terminal 25.  
Refer to Wiring Diagram.

**Continuity should exist.**

3. Also check harness for short to ground and short to power.

OK or NG

- |    |             |
|----|-------------|
| OK | >> GO TO 7. |
| NG | >> GO TO 6. |

---

### 6. DETECT MALFUNCTIONING PART

---

Check the following.

- Harness connectors F102, M72
- Harness for open or short between ECM and “unified meter and A/C amp.”.

>> Repair open circuit or short to ground or short to power in harness or connectors.

---

### 7. CHECK INTERMITTENT INCIDENT

---

Refer to [EC-137, "TROUBLE DIAGNOSIS FOR INTERMITTENT INCIDENT"](#) .

OK or NG

- |    |                       |
|----|-----------------------|
| OK | >> GO TO 8.           |
| NG | >> Repair or replace. |

---

### 8. REPLACE UNIFIED METER AND A/C AMP.

---

Refer to [DI-4, "COMBINATION METERS"](#) .

>> INSPECTION END

#### M/T MODELS

---

### 1. CHECK PNP SWITCH GROUND CIRCUIT

---

1. Turn ignition switch “OFF”.
2. Disconnect PNP switch harness connector.
3. Check harness continuity between PNP switch terminal 2 and ground.  
Refer to Wiring Diagram.

**Continuity should exist.**

4. Also check harness for short to power.

OK or NG

- |    |             |
|----|-------------|
| OK | >> GO TO 3  |
| NG | >> GO TO 2. |



# DTC P1706 PNP SWITCH

---

## 2. DETECT MALFUNCTIONING PART

---

Check the following.

- Harness connectors F103, F151
- Harness connector E12, F3
- Joint connector-1
- Joint connector-4
- Harness for open or short between PNP switch and ground

>> Repair open circuit or short to power in harness or connectors.

---

## 3. CHECK PNP SWITCH INPUT SIGNAL CIRCUIT

---

1. Disconnect ECM harness connector.
2. Check harness continuity between ECM terminal 102 and PNP switch terminal 1.  
Refer to Wiring Diagram.

**Continuity should exist.**

3. Also check harness for short to ground and short to power.

OK or NG

OK >> GO TO 4.

NG >> Repair open circuit or short to ground or short to power in harness or connectors.

---

## 4. CHECK PNP SWITCH

---

Refer to [MT-12](#) .

OK or NG

OK >> GO TO 5.

NG >> Replace PNP switch.

---

## 5. CHECK INTERMITTENT INCIDENT

---

Refer to [EC-137, "TROUBLE DIAGNOSIS FOR INTERMITTENT INCIDENT"](#) .

>> **INSPECTION END**

A

EC

C

D

E

F

G

H

I

J

K

L

M

# DTC P1805 BRAKE SWITCH

## DTC P1805 BRAKE SWITCH

PFP:25320

### Description

ABS0015K

Brake switch signal is applied to the ECM through the stop lamp switch when the brake pedal is depressed. This signal is used mainly to decrease the engine speed when the vehicle is driving.

### CONSULT-II Reference Value in Data Monitor Mode

ABS0015L

Specification data are reference values.

MONITOR ITEM	CONDITION		SPECIFICATION
BRAKE SW	● Ignition switch: ON	Brake pedal: Fully released	OFF
		Brake pedal: Slightly depressed	ON

### On Board Diagnosis Logic

ABS0015M

The MIL will not light up for this diagnosis.

DTC No.	Trouble diagnosis name	DTC detecting condition	Possible cause
P1805 1805	Brake switch	A brake switch signal is not sent to ECM for an extremely long time while the vehicle is driving.	<ul style="list-style-type: none"> <li>● Harness or connectors (Stop lamp switch circuit is open or shorted.)</li> <li>● Stop lamp switch</li> </ul>

### FALI-SAFE MODE

When the malfunction is detected, the ECM enters fail-safe mode.

Engine operating condition in fail-safe mode

ECM controls the electric throttle control actuator by regulating the throttle opening to a small range. Therefore, acceleration will be poor.

	Driving condition
When engine is idling	Normal
When accelerating	Poor acceleration

### DTC Confirmation Procedure

ABS0015N

#### WITH CONSULT-II

1. Turn ignition switch "ON".
2. Fully depress the brake pedal for at least 5 seconds.
3. Erase the DTC with CONSULT-II.
4. Select "DATA MONITOR" mode with CONSULT-II.
5. If 1st trip DTC is detected, go to [EC-548, "Diagnostic Procedure"](#)

DATA MONITOR	
MONITOR	NO DTC
ENG SPEED	XXX rpm

SEF058Y

#### WITH GST

Follow the procedure "WITH CONSULT-II" above.

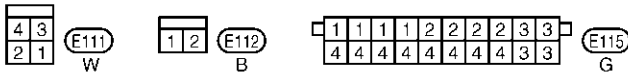
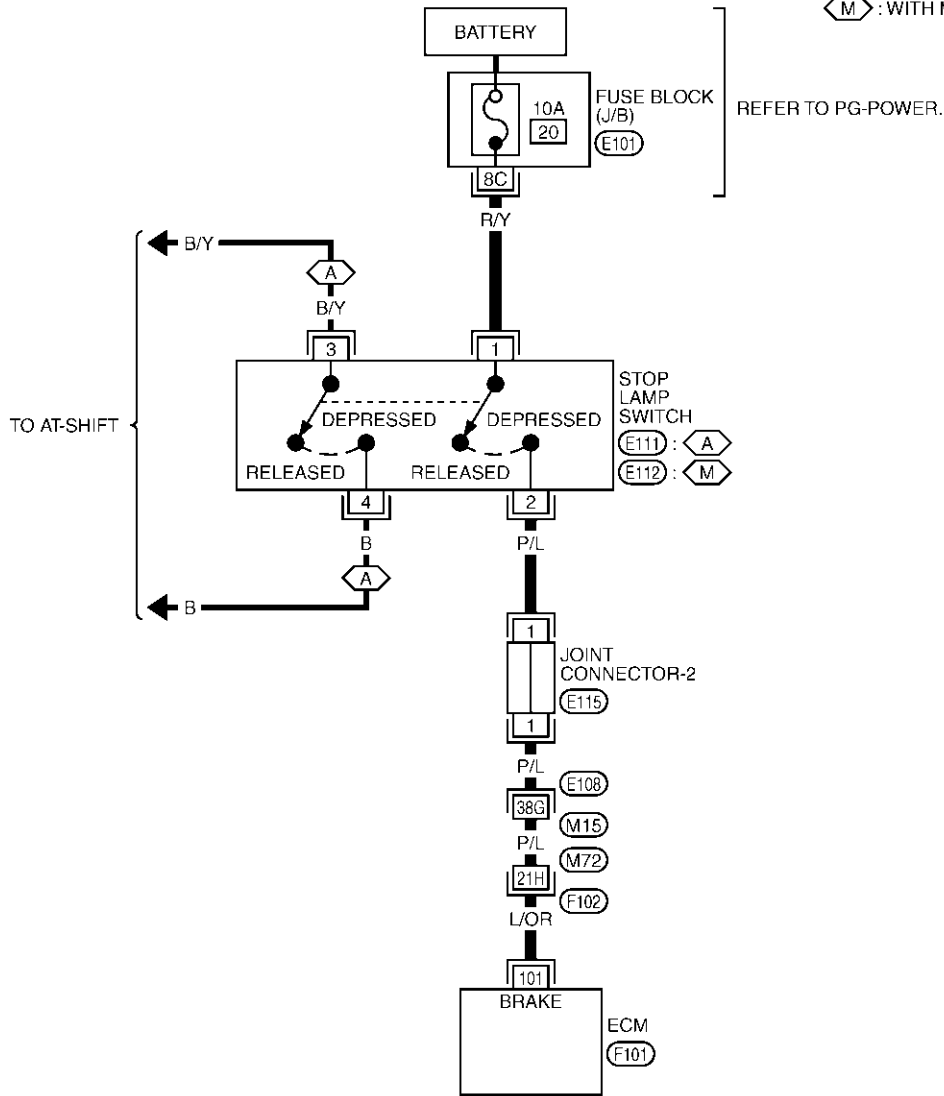
# DTC P1805 BRAKE SWITCH

## Wiring Diagram

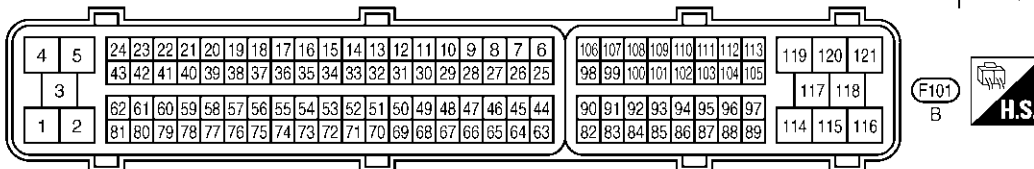
ABS00150

### EC-BRK/SW-01

- : DETECTABLE LINE FOR DTC
- : NON-DETECTABLE LINE FOR DTC
- A** : WITH A/T
- M** : WITH M/T



REFER TO THE FOLLOWING.  
 (E108), (F102) -SUPER MULTIPLE JUNCTION (SMJ)  
 (E101) -FUSE BLOCK-JUNCTION BOX (J/B)



TBWT0237E

# DTC P1805 BRAKE SWITCH

Specification data are reference values and are measured between each terminal and ground.

## CAUTION:

Do not use ECM ground terminals when measuring input/output voltage. Doing so may result in damage to the ECM's transistor. Use a ground other than ECM terminals, such as the ground.

TER-MINAL NO.	WIRE COLOR	ITEM	CONDITION	DATA (DC Voltage)
101	L/OR	Stop lamp switch	[Ignition switch "ON"] ● Brake pedal is fully released	Approximately 0V
			[Ignition switch "ON"] ● Brake pedal is depressed	BATTERY VOLTAGE (11 - 14V)

## Diagnostic Procedure

ABS0015P

### 1. CHECK STOP LAMP SWITCH CIRCUIT

1. Turn ignition switch "OFF".
2. Check the stop lamp when depressing and releasing the brake pedal.

Brake pedal	Stop lamp
Fully released	Not illuminated
Depressed	Illuminated

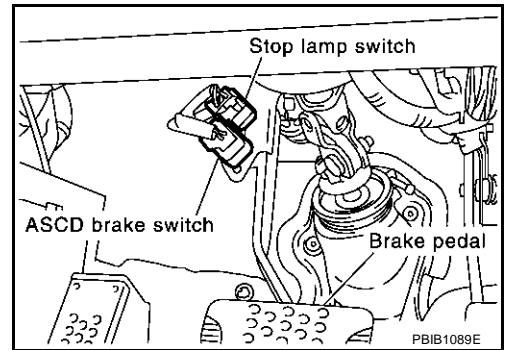
#### OK or NG

- OK >> GO TO 4.  
NG >> GO TO 2.

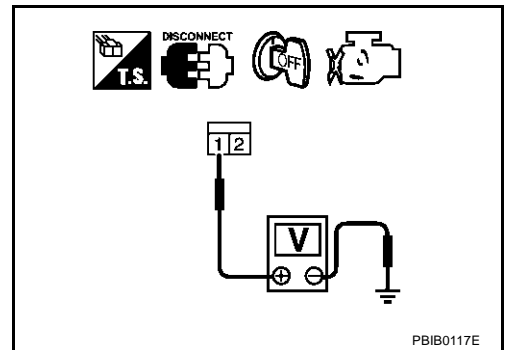
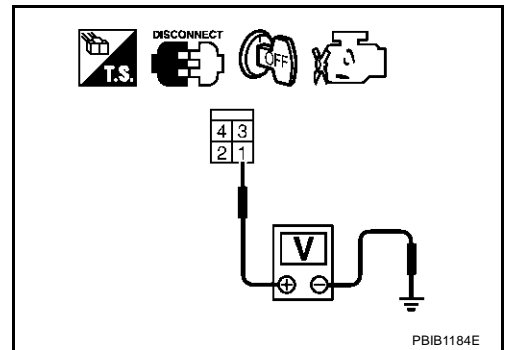
# DTC P1805 BRAKE SWITCH

## 2. CHECK STOP LAMP SWITCH POWER SUPPLY CIRCUIT

1. Disconnect stop lamp switch harness connector.



2. Check voltage between stop lamp switch terminal 1 and ground with CONSULT-II or tester.



**Voltage: Battery voltage**

OK or NG

- OK >> GO TO 4.
- NG >> GO TO 3.

## 3. DETECT MALFUNCTIONING PART

Check the following.

- 10A fuse
- Fuse block (J/B) connector E101
- Harness for open and short between stop lamp switch and fuse

>> Repair open circuit or short to ground or short to power in harness or connectors.

# DTC P1805 BRAKE SWITCH

## 4. CHECK STOP LAMP SWITCH INPUT SIGNAL CIRCUIT FOR OPEN AND SHORT

1. Turn ignition switch "OFF".
2. Disconnect ECM harness connector.
3. Disconnect stop lamp switch harness connector.
4. Check harness continuity between ECM terminal 101 and stop lamp switch terminal 2.  
Refer to Wiring Diagram.

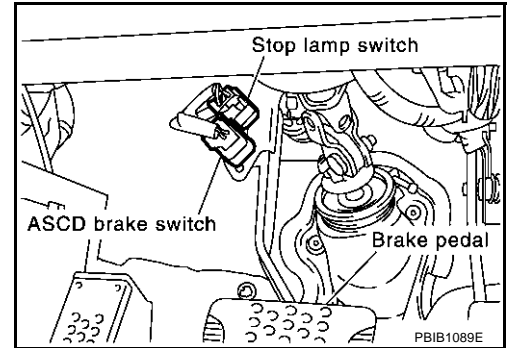
**Continuity should exist.**

5. Also check harness for short to ground and short to power.

OK or NG

OK >> GO TO 6.

NG >> GO TO 5.



## 5. DETECT MALFUNCTIONING PART

Check the following.

- Harness connectors E108, M15
- Harness connectors M72, F102
- Joint connector-2
- Harness for open or short between ECM and stop lamp switch

>> Repair open circuit or short to ground or short to power in harness or connectors.

## 6. CHECK STOP LAMP SWITCH

Refer to [EC-551, "Component Inspection"](#) .

OK or NG

OK >> GO TO 7.

NG >> Replace stop lamp switch.

## 7. CHECK INTERMITTENT INCIDENT

Refer to [EC-137, "TROUBLE DIAGNOSIS FOR INTERMITTENT INCIDENT"](#) .

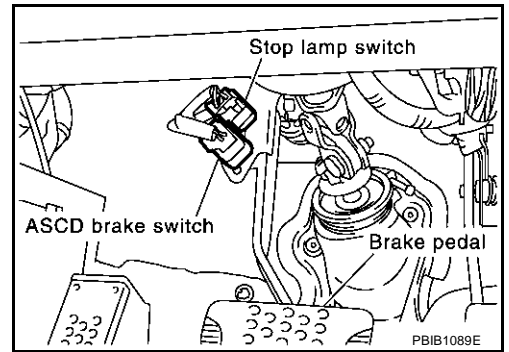
>> **INSPECTION END**

# DTC P1805 BRAKE SWITCH

ABS0015Q

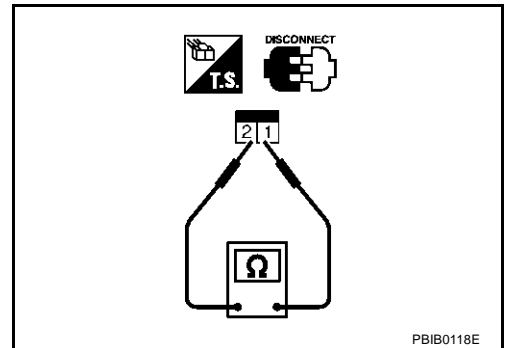
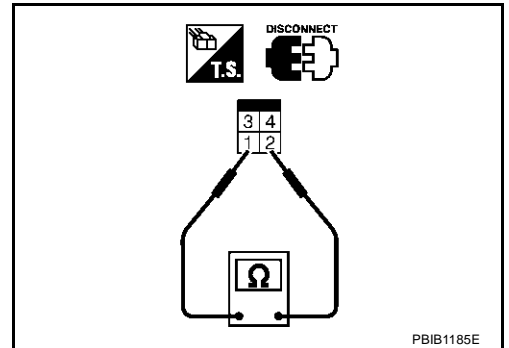
## Component Inspection STOP LAMP SWITCH

1. Disconnect stop lamp switch harness connector.



2. Check continuity between stop lamp switch terminals 1 and 2 under the following conditions.

Conditions	Continuity
Brake pedal fully released	Should not exist.
Brake pedal depressed	Should exist.



3. If NG, adjust stop lamp switch installation, refer to [BR-6, "BRAKE PEDAL"](#), and perform step 2 again.

# DTC P2122, P2123 APP SENSOR

## DTC P2122, P2123 APP SENSOR

PFP:18002

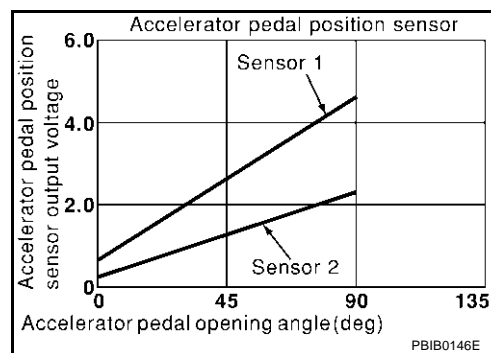
### Component Description

ABS000XE

The accelerator pedal position sensor is installed on the upper end of the accelerator pedal assembly. The sensor detects the accelerator position and sends a signal to the ECM.

Accelerator pedal position sensor has two sensors. These sensors are a kind of potentiometers which transform the accelerator pedal position into output voltage, and emit the voltage signal to the ECM. In addition, these sensors detect the opening and closing speed of the accelerator pedal and feed the voltage signals to the ECM. The ECM judges the current opening angle of the accelerator pedal from these signals and controls the throttle control motor based on these signals.

Idle position of the accelerator pedal is determined by the ECM receiving the signal from the accelerator pedal position sensor. The ECM uses this signal for the engine operation such as fuel cut.



### CONSULT-II Reference Value in Data Monitor Mode

ABS000XF

Specification data are reference values.

MONITOR ITEM	CONDITION	SPECIFICATION
ACCEL SEN1	● Ignition switch: ON (Engine stopped) Accelerator pedal: Fully released	0.5 - 1.0V
	Accelerator pedal: Fully depressed	4.0 - 4.8V
ACCEL SEN2*	● Ignition switch: ON (Engine stopped) Accelerator pedal: Fully released	0.3 - 1.2V
	Accelerator pedal: Fully depressed	3.9 - 4.8V
CLSD THL POS	● Ignition switch: ON (Engine stopped) Accelerator pedal: Fully released	ON
	Accelerator pedal: Slightly depressed	OFF

\*: Accelerator pedal position sensor 2 signal is converted by ECM internally. Thus, it differ from ECM terminal voltage.

### On Board Diagnosis Logic

ABS000XG

These self-diagnoses have the one trip detection logic.

#### NOTE:

If DTC P2122 or P2123 is displayed with DTC P1229, first perform the trouble diagnosis for DTC P1229. Refer to [EC-492](#).

DTC No.	Trouble diagnosis name	DTC detecting condition	Possible cause
P2122 2122	Accelerator pedal position sensor 1 circuit low input	An excessively low voltage from the APP sensor 1 is sent to ECM.	<ul style="list-style-type: none"> <li>● Harness or connectors (The APP sensor 1 circuit is open or shorted.)</li> <li>● Accelerator pedal position sensor (Accelerator pedal position sensor 1)</li> </ul>
P2123 2123	Accelerator pedal position sensor 1 circuit high input	An excessively high voltage from the APP sensor 1 is sent to ECM.	

### FAIL-SAFE MODE

When the malfunction is detected, ECM enters fail-safe mode and the MIL lights up.

#### Engine operating condition in fail-safe mode

The ECM controls the electric throttle control actuator in regulating the throttle opening in order for the idle position to be within +10 degrees.

The ECM regulates the opening speed of the throttle valve to be slower than the normal condition.

So, the acceleration will be poor.



# DTC P2122, P2123 APP SENSOR

ABS000XH

## DTC Confirmation Procedure

### NOTE:

If "DTC Confirmation Procedure" has been previously conducted, always turn ignition switch "OFF" and wait at least 10 seconds before conducting the next test.

### TESTING CONDITION:

Before performing the following procedure, confirm that battery voltage is more than 10V at idle.

### WITH CONSULT-II

1. Turn ignition switch "ON".
2. Select "DATA MONITOR" mode with CONSULT-II.
3. Start engine and let it idle for 1 second.
4. If DTC is detected, go to [EC-555, "Diagnostic Procedure"](#) .

DATA MONITOR	
MONITOR	NO DTC
ENG SPEED	XXX rpm

SEF058Y

### WITH GST

Follow the procedure "WITH CONSULT-II" above.

A  
EC  
C  
D  
E  
F  
G  
H  
I  
J  
K  
L  
M

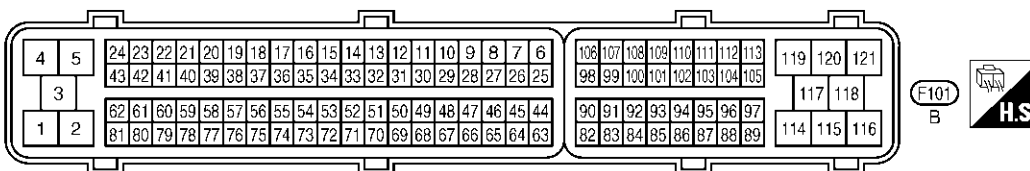
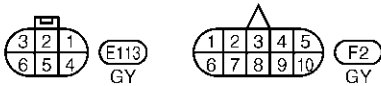
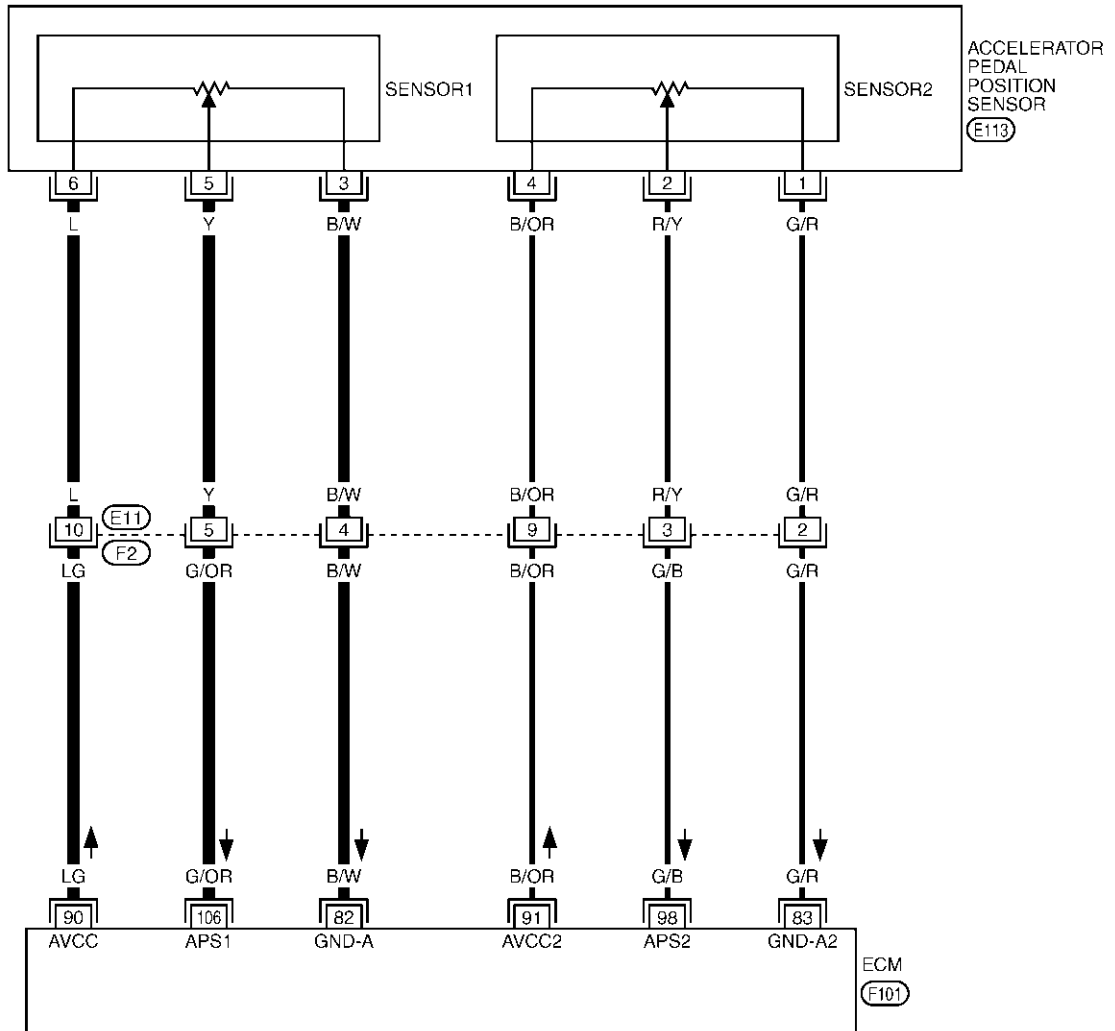
# DTC P2122, P2123 APP SENSOR

## Wiring Diagram

ABS000X1

### EC-APPS1-01

: DETECTABLE LINE FOR DTC  
 : NON-DETECTABLE LINE FOR DTC



TBWT0214E

# DTC P2122, P2123 APP SENSOR

Specification data are reference values and are measured between each terminal and ground.

**CAUTION:**

**Do not use ECM ground terminals when measuring input/output voltage. Doing so may result in damage to the ECM's transistor. Use a ground other than ECM terminals, such as the ground.**

TER-MINAL NO.	WIRE COLOR	ITEM	CONDITION	DATA (DC Voltage)
82	B/W	Sensors' ground (APP sensor 1)	<b>[Engine is running]</b> ● Warm-up condition ● Idle speed	Approximately 0V
83	G/R	Sensors' ground (APP sensor 2)	<b>[Engine is running]</b> ● Warm-up condition ● Idle speed	Approximately 0V
90	LG	Sensors' power supply (APP sensor 1)	<b>[Ignition switch "ON"]</b>	Approximately 5V
91	B/OR	Sensors' power supply (APP sensor 2)	<b>[Ignition switch "ON"]</b>	Approximately 5V
98	G/B	Accelerator pedal position sensor 2	<b>[Ignition switch "ON"]</b> ● Engine stopped ● Accelerator pedal fully released	0.15 - 0.60V
			<b>[Ignition switch "ON"]</b> ● Engine stopped ● Accelerator pedal fully depressed	1.95 - 2.40V
106	G/OR	Accelerator pedal position sensor 1	<b>[Ignition switch "ON"]</b> ● Engine stopped ● Accelerator pedal fully released	0.5 - 1.0V
			<b>[Ignition switch "ON"]</b> ● Engine stopped ● Accelerator pedal fully depressed	3.9 - 4.7V

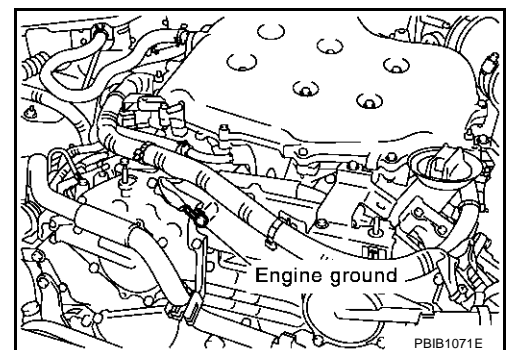
## Diagnostic Procedure

ABS000XJ

### 1. RETIGHTEN GROUND SCREWS

1. Turn ignition switch "OFF".
2. Loosen and retighten engine ground screws.

>> GO TO 2.

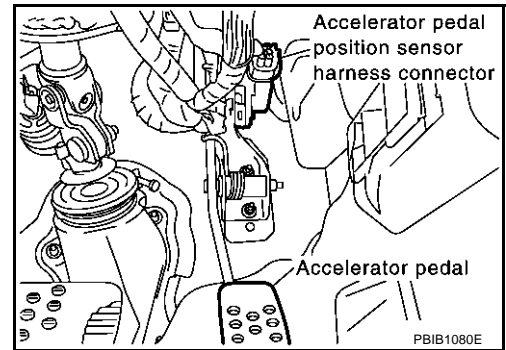


PBIB1071E

# DTC P2122, P2123 APP SENSOR

## 2. CHECK APP SENSOR 1 POWER SUPPLY CIRCUIT

1. Disconnect accelerator pedal position (APP) sensor harness connector.
2. Turn ignition switch "ON".

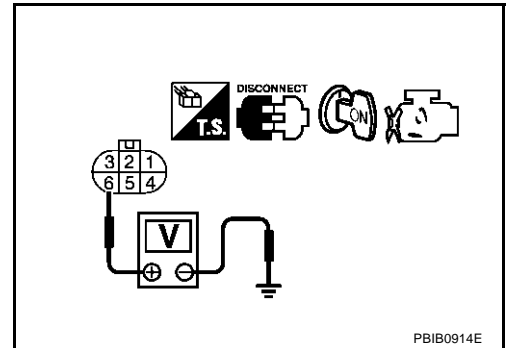


3. Check voltage between APP sensor terminal 6 and ground with CONSULT-II or tester.

**Voltage: Approximately 5V**

OK or NG

- OK >> GO TO 4.  
NG >> GO TO 3.



## 3. DETECT MALFUNCTIONING PART

Check the following.

- Harness connectors E11, F2
- Harness for open or short between ECM and accelerator pedal position sensor

>> Repair open circuit or short to ground or short to power in harness or connectors.

## 4. CHECK APP SENSOR 1 GROUND CIRCUIT FOR OPEN AND SHORT

1. Turn ignition switch "OFF".
2. Check harness continuity between APP sensor terminal 3 and ground. Refer to Wiring Diagram.

**Continuity should exist.**

3. Also check harness for short to ground and short to power.

OK or NG

- OK >> GO TO 6.  
NG >> GO TO 5.

## 5. DETECT MALFUNCTIONING PART

Check the following.

- Harness connectors E11, F2
- Harness for open or short between ECM and accelerator pedal position sensor

>> Repair open circuit or short to ground or short to power in harness or connectors.

# DTC P2122, P2123 APP SENSOR

## 6. CHECK APP SENSOR INPUT SIGNAL CIRCUIT FOR OPEN AND SHORT

1. Disconnect ECM harness connector.
2. Check harness continuity between ECM terminal 106 and APP sensor terminal 5.  
Refer to Wiring Diagram.

**Continuity should exist.**

3. Also check harness for short to ground and short to power.

OK or NG

- OK >> GO TO 8.
- NG >> GO TO 7.

## 7. DETECT MALFUNCTIONING PART

Check the following.

- Harness connectors E11, F2
- Harness for open or short between ECM and accelerator pedal position sensor

>> Repair open circuit or short to ground or short to power in harness or connectors.

## 8. CHECK APP SENSOR

Refer to [EC-580, "Component Inspection"](#) .

OK or NG

- OK >> GO TO 10.
- NG >> GO TO 9.

## 9. REPLACE ACCELERATOR PEDAL ASSEMBLY

1. Replace accelerator pedal assembly.
2. Perform [EC-50, "Accelerator Pedal Released Position Learning"](#) .
3. Perform [EC-51, "Throttle Valve Closed Position Learning"](#) .
4. Perform [EC-51, "Idle Air Volume Learning"](#) .

>> INSPECTION END

## 10. CHECK INTERMITTENT INCIDENT

Refer to [EC-137, "TROUBLE DIAGNOSIS FOR INTERMITTENT INCIDENT"](#) .

>> INSPECTION END

### Component Inspection ACCELERATOR PEDAL POSITION SENSOR

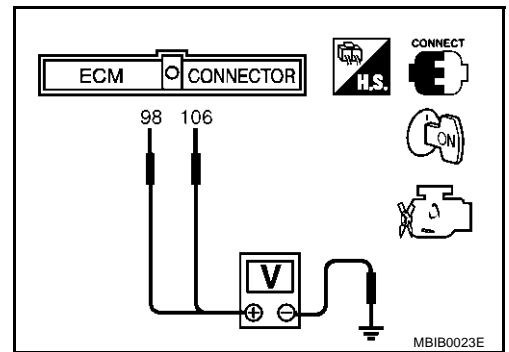
ABS000XK

1. Reconnect all harness connectors disconnected.
2. Turn ignition switch "ON".

## DTC P2122, P2123 APP SENSOR

3. Check voltage between ECM terminals 106 (APP sensor 1 signal), 98 (APP sensor 2 signal) and engine ground under the following conditions.

Terminal	Accelerator pedal	Voltage
106 (Accelerator pedal position sensor 1)	Fully released	0.5 - 1.0V
	Fully depressed	3.9 - 4.7V
98 (Accelerator pedal position sensor 2)	Fully released	0.15 - 0.60V
	Fully depressed	1.95 - 2.40V



4. If NG, replace accelerator pedal assembly and go to next step.  
5. Perform [EC-50, "Accelerator Pedal Released Position Learning"](#) .  
6. Perform [EC-51, "Throttle Valve Closed Position Learning"](#) .  
7. Perform [EC-51, "Idle Air Volume Learning"](#) .

### Removal and Installation ACCELERATOR PEDAL

Refer to [ACC-2, "ACCELERATOR CONTROL SYSTEM"](#) .

ABS000XL

# DTC P2127, P2128 APP SENSOR

## DTC P2127, P2128 APP SENSOR

PFP:18002

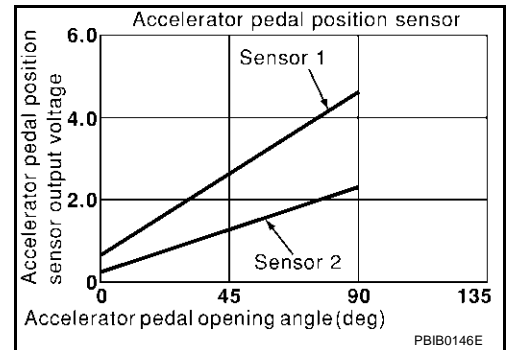
### Component Description

ABS00145

The accelerator pedal position sensor is installed on the upper end of the accelerator pedal assembly. The sensor detects the accelerator position and sends a signal to the ECM.

Accelerator pedal position sensor has two sensors. These sensors are a kind of potentiometers which transform the accelerator pedal position into output voltage, and emit the voltage signal to the ECM. In addition, these sensors detect the opening and closing speed of the accelerator pedal and feed the voltage signals to the ECM. The ECM judges the current opening angle of the accelerator pedal from these signals and controls the throttle control motor based on these signals.

Idle position of the accelerator pedal is determined by the ECM receiving the signal from the accelerator pedal position sensor. The ECM uses this signal for the engine operation such as fuel cut.



### CONSULT-II Reference Value in Data Monitor Mode

ABS00146

Specification data are reference values.

MONITOR ITEM	CONDITION	SPECIFICATION
ACCEL SEN1	● Ignition switch: ON (Engine stopped) Accelerator pedal: Fully released	0.5 - 1.0V
	Accelerator pedal: Fully depressed	4.0 - 4.8V
ACCEL SEN2*	● Ignition switch: ON (Engine stopped) Accelerator pedal: Fully released	0.3 - 1.2V
	Accelerator pedal: Fully depressed	3.9 - 4.8V
CLSD THL POS	● Ignition switch: ON (Engine stopped) Accelerator pedal: Fully released	ON
	Accelerator pedal: Slightly depressed	OFF

\*: Accelerator pedal position sensor 2 signal is converted by ECM internally. Thus, it differs from ECM terminal voltage.

### On Board Diagnosis Logic

ABS00147

These self-diagnoses have the one trip detection logic.

DTC No.	Trouble diagnosis name	DTC detecting condition	Possible cause
P2127 2127	Accelerator pedal position sensor 2 circuit low input	An excessively low voltage from the APP sensor 2 is sent to ECM.	<ul style="list-style-type: none"> <li>● Harness or connectors (APP sensor 2 circuit is open or shorted.) (TP sensor circuit is shorted.)</li> <li>● Accelerator pedal position sensor (Accelerator pedal position sensor 2)</li> <li>● Electric throttle control actuator (TP sensor 1 and 2)</li> </ul>
P2128 2128	Accelerator pedal position sensor 2 circuit high input	An excessively high voltage from the APP sensor 2 is sent to ECM.	

### FAIL-SAFE MODE

When the malfunction is detected, ECM enters fail-safe mode and the MIL lights up.

#### Engine operating condition in fail-safe mode

The ECM controls the electric throttle control actuator in regulating the throttle opening in order for the idle position to be within +10 degrees.

The ECM regulates the opening speed of the throttle valve to be slower than the normal condition.

So, the acceleration will be poor.

# DTC P2127, P2128 APP SENSOR

ABS00148

## DTC Confirmation Procedure

### NOTE:

If "DTC Confirmation Procedure" has been previously conducted, always turn ignition switch "OFF" and wait at least 10 seconds before conducting the next test.

### TESTING CONDITION:

Before performing the following procedure, confirm that battery voltage is more than 10V at idle.

### ④ WITH CONSULT-II

1. Turn ignition switch "ON".
2. Select "DATA MONITOR" mode with CONSULT-II.
3. Start engine and let it idle for 1 second.
4. If DTC is detected, go to [EC-562, "Diagnostic Procedure"](#) .

DATA MONITOR	
MONITOR	NO DTC
ENG SPEED	XXX rpm

SEF058Y

### ④ WITH GST

Follow the procedure "With CONSULT-II" above.



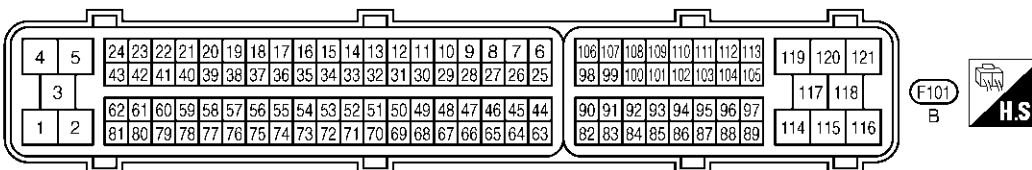
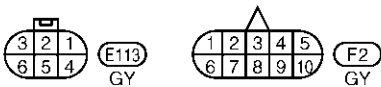
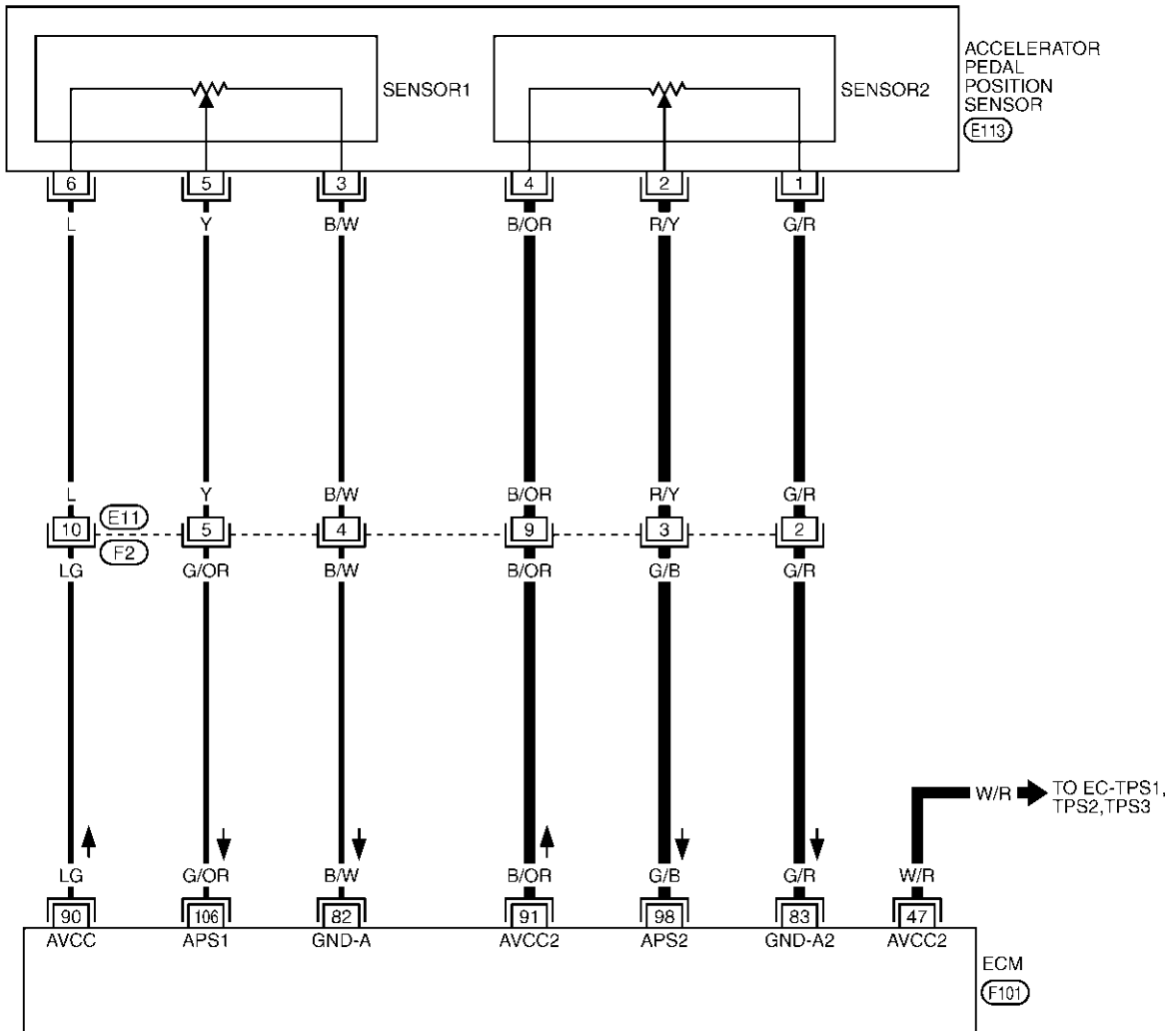
# DTC P2127, P2128 APP SENSOR

## Wiring Diagram

ABS00149

EC-APPS2-01

: DETECTABLE LINE FOR DTC  
 : NON-DETECTABLE LINE FOR DTC



TBWB0258E

# DTC P2127, P2128 APP SENSOR

Specification data are reference values and are measured between each terminal and ground.

**CAUTION:**

**Do not use ECM ground terminals when measuring input/output voltage. Doing so may result in damage to the ECM's transistor. Use a ground other than ECM terminals, such as the ground.**

TER-MINAL NO.	WIRE COLOR	ITEM	CONDITION	DATA (DC Voltage)
47	W/R	Sensors' power supply (Throttle position sensor)	[Ignition switch "ON"]	Approximately 5V
82	B/W	Sensors' ground (APP sensor 1)	[Engine is running] ● Warm-up condition ● Idle speed	Approximately 0V
83	G/R	Sensors' ground (APP sensor 2)	[Engine is running] ● Warm-up condition ● Idle speed	Approximately 0V
90	LG	Sensors' power supply (APP sensor 1)	[Ignition switch "ON"]	Approximately 5V
91	B/OR	Sensors' power supply (APP sensor 2)	[Ignition switch "ON"]	Approximately 5V
98	G/B	Accelerator pedal position sensor 2	[Ignition switch "ON"] ● Engine stopped ● Accelerator pedal fully released	0.15 - 0.60V
			[Ignition switch "ON"] ● Engine stopped ● Accelerator pedal fully depressed	1.95 - 2.40V
106	G/OR	Accelerator pedal position sensor 1	[Ignition switch "ON"] ● Engine stopped ● Accelerator pedal fully released	0.5 - 1.0V
			[Ignition switch "ON"] ● Engine stopped ● Accelerator pedal fully depressed	3.9 - 4.7V

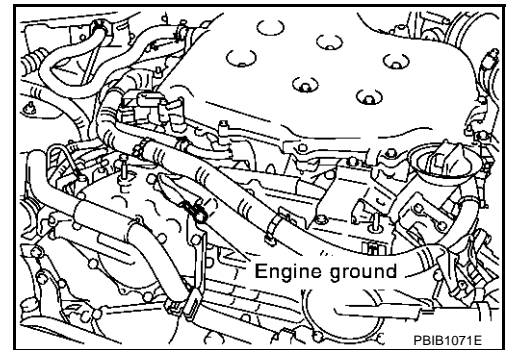
## Diagnostic Procedure

ABS0014A

### 1. RETIGHTEN GROUND SCREWS

1. Turn ignition switch "OFF".
2. Loosen and retighten engine ground screws.

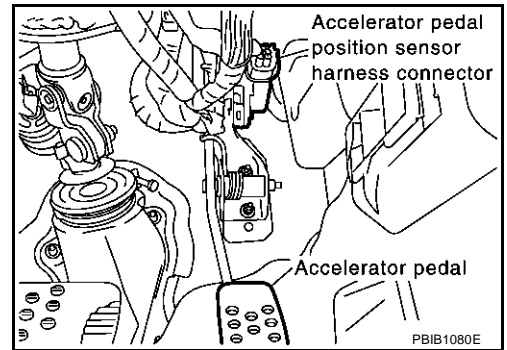
>> GO TO 2.



# DTC P2127, P2128 APP SENSOR

## 2. CHECK APP SENSOR 2 POWER SUPPLY CIRCUIT-I

1. Disconnect accelerator pedal position (APP) sensor harness connector.
2. Turn ignition switch "ON".

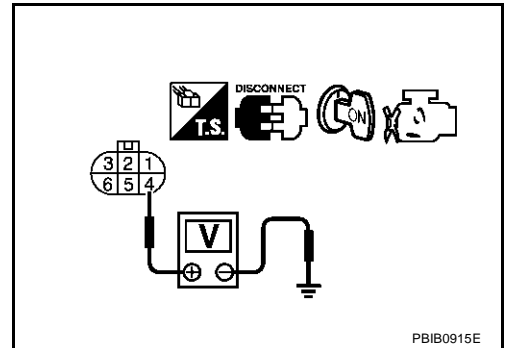


3. Check voltage between APP sensor terminal 4 and ground with CONSULT-II or tester.

**Voltage: Approximately 5V**

OK or NG

- OK >> GO TO 8.  
NG >> GO TO 3.



## 3. CHECK APP SENSOR 2 POWER SUPPLY CIRCUIT-II

1. Turn ignition switch "OFF".
2. Disconnect ECM harness connector.
3. Check harness continuity between APP sensor terminal 4 and ECM terminal 91. Refer to Wiring Diagram.

**Continuity should exist.**

OK or NG

- OK >> GO TO 5.  
NG >> GO TO 4.

## 4. DETECT MALFUNCTIONING PART

Check the following.

- Harness connectors E11, F2
- Harness for open between ECM and accelerator pedal position sensor

>> Repair or replace open circuit.

## 5. CHECK APP SENSOR 2 POWER SUPPLY CIRCUIT-III

Check harness for short to power and short to ground, between the following terminals.

ECM terminal	Sensor terminal	Reference Wiring Diagram
91	APP sensor terminal 4	<a href="#">EC-561</a>
47	Electric throttle control actuator terminal 1	<a href="#">EC-568</a>

OK or NG

- OK >> GO TO 6.  
NG >> Repair short to ground or short to power in harness or connectors.

## DTC P2127, P2128 APP SENSOR

---

### 6. CHECK THROTTLE POSITION SENSOR

---

Refer to [EC-572, "Component Inspection"](#) .

OK or NG

- OK >> GO TO 14.
- NG >> GO TO 7.

---

### 7. REPLACE ELECTRIC THROTTLE CONTROL ACTUATOR

---

1. Replace the electric throttle control actuator.
2. Perform [EC-51, "Throttle Valve Closed Position Learning"](#) .
3. Perform [EC-51, "Idle Air Volume Learning"](#) .

>> INSPECTION END

---

### 8. CHECK APP SENSOR 2 GROUND CIRCUIT FOR OPEN AND SHORT

---

1. Turn ignition switch "OFF".
2. Disconnect ECM harness connector.
3. Check harness continuity between APP sensor terminal 1 and ECM terminal 83.  
Refer to Wiring Diagram.

**Continuity should exist.**

4. Also check harness for short to ground and short to power.

OK or NG

- OK >> GO TO 10.
- NG >> GO TO 9.

---

### 9. DETECT MALFUNCTIONING PART

---

Check the following.

- Harness connectors E11, F2
- Harness for open or short between ECM and accelerator pedal position sensor

>> Repair open circuit or short to ground or short to power in harness or connectors.

---

### 10. CHECK APP SENSOR 2 INPUT SIGNAL CIRCUIT FOR OPEN AND SHORT

---

1. Check harness continuity between ECM terminal 98 and APP sensor terminal 2.  
Refer to Wiring Diagram.

**Continuity should exist.**

2. Also check harness for short to ground and short to power.

OK or NG

- OK >> GO TO 12.
- NG >> GO TO 11.

---

### 11. DETECT MALFUNCTIONING PART

---

Check the following.

- Harness connectors E11, F2
- Harness for open or short between ECM and accelerator pedal position sensor

>> Repair open circuit or short to ground or short to power in harness or connectors.

# DTC P2127, P2128 APP SENSOR

## 12. CHECK APP SENSOR

Refer to [EC-565, "Component Inspection"](#) .

OK or NG

- OK >> GO TO 13.
- NG >> GO TO 14.

## 13. REPLACE ACCELERATOR PEDAL ASSEMBLY

1. Replace accelerator pedal assembly.
2. Perform [EC-50, "Accelerator Pedal Released Position Learning"](#) .
3. Perform [EC-51, "Throttle Valve Closed Position Learning"](#) .
4. Perform [EC-51, "Idle Air Volume Learning"](#) .

>> INSPECTION END

## 14. CHECK INTERMITTENT INCIDENT

Refer to [EC-137, "TROUBLE DIAGNOSIS FOR INTERMITTENT INCIDENT"](#) .

>> INSPECTION END

### Component Inspection ACCELERATOR PEDAL POSITION SENSOR

ABS0014B

1. Reconnect all harness connectors disconnected.
2. Turn ignition switch "ON".
3. Check voltage between ECM terminals 106 (APP sensor 1 signal), 98 (APP sensor 2 signal) and engine ground under the following conditions.

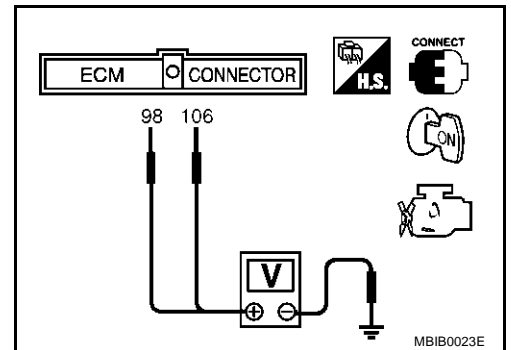
Terminal	Accelerator pedal	Voltage
106 (Accelerator pedal position sensor 1)	Fully released	0.5 - 1.0V
	Fully depressed	3.9 - 4.7V
98 (Accelerator pedal position sensor 2)	Fully released	0.15 - 0.60V
	Fully depressed	1.95 - 2.40V

4. If NG, replace accelerator pedal assembly and go to next step.
5. Perform [EC-50, "Accelerator Pedal Released Position Learning"](#) .
6. Perform [EC-51, "Throttle Valve Closed Position Learning"](#) .
7. Perform [EC-51, "Idle Air Volume Learning"](#) .

### Removal and Installation ACCELERATOR PEDAL

ABS0014C

Refer to [ACC-2, "ACCELERATOR CONTROL SYSTEM"](#) .



# DTC P2135 TP SENSOR

PFP:16119

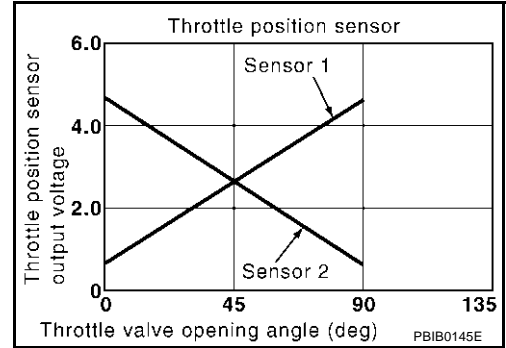
## DTC P2135 TP SENSOR

### Component Description

ABS000WQ

Electric Throttle Control Actuator consists of throttle control motor, throttle position sensor, etc. The throttle position sensor responds to the throttle valve movement.

The throttle position sensor has the two sensors. These sensors are a kind of potentiometers which transform the throttle valve position into output voltage, and emit the voltage signal to the ECM. In addition, these sensors detect the opening and closing speed of the throttle valve and feed the voltage signals to the ECM. The ECM judges the current opening angle of the throttle valve from these signals and the ECM controls the throttle control motor to make the throttle valve opening angle properly in response to driving condition.



### CONSULT-II Reference Value in Data Monitor Mode

ABS002VV

Specification data are reference values.

MONITOR ITEM	CONDITION		SPECIFICATION
THRTL SEN1 THRTL SEN2*	<ul style="list-style-type: none"> <li>Ignition switch: ON (Engine stopped)</li> <li>Shift lever: D (A/T), 1st (M/T)</li> </ul>	Accelerator pedal: Fully released	More than 0.36V
		Accelerator pedal: Fully depressed	Less than 4.75V

\*: Throttle position sensor 2 signal is converted by ECM internally. Thus, it differs from ECM terminal voltage signal.

### On Board Diagnosis Logic

ABS000WS

This self-diagnosis has the one trip detection logic.

DTC No.	Trouble diagnosis name	DTC detecting condition	Possible cause
P2135 2135	Throttle position sensor circuit range/performance problem	Rationally incorrect voltage is sent to ECM compared with the signals from TP sensor 1 and TP sensor 2.	<ul style="list-style-type: none"> <li>Harness or connector (The TP sensor 1 and 2 circuit is open or shorted.) (APP sensor 2 circuit is shorted.)</li> <li>Electric throttle control actuator (TP sensor 1 and 2)</li> <li>Accelerator pedal position sensor (APP sensor 2)</li> </ul>

### FAIL-SAFE MODE

When the malfunction is detected, the ECM enters fail-safe mode and the MIL lights up.

#### Engine operation condition in fail-safe mode

The ECM controls the electric throttle control actuator in regulating the throttle opening in order for the idle position to be within +10 degrees.

The ECM regulates the opening speed of the throttle valve to be slower than the normal condition.

So, the acceleration will be poor.

# DTC P2135 TP SENSOR

ABS000WT

## DTC Confirmation Procedure

### NOTE:

If "DTC Confirmation Procedure" has been previously conducted, always turn ignition switch "OFF" and wait at least 10 seconds before conducting the next test.

### TESTING CONDITION:

Before performing the following procedure, confirm that battery voltage is more than 10V at idle.

### WITH CONSULT-II

1. Turn ignition switch "ON".
2. Select "DATA MONITOR" mode with CONSULT-II.
3. Start engine and let it idle for 1 second.
4. If DTC is detected, go to [EC-569, "Diagnostic Procedure"](#) .

DATA MONITOR	
MONITOR	NO DTC
ENG SPEED	XXX rpm

SEF058Y

### WITH GST

Follow the procedure "WITH CONSULT-II" above.

A  
EC  
C  
D  
E  
F  
G  
H  
I  
J  
K  
L  
M

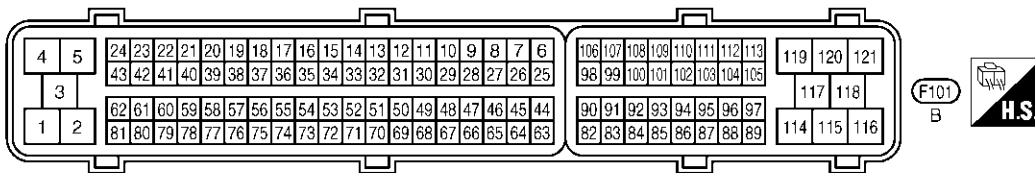
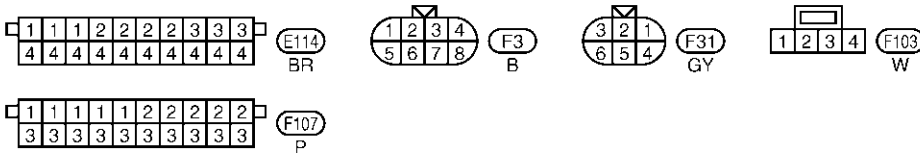
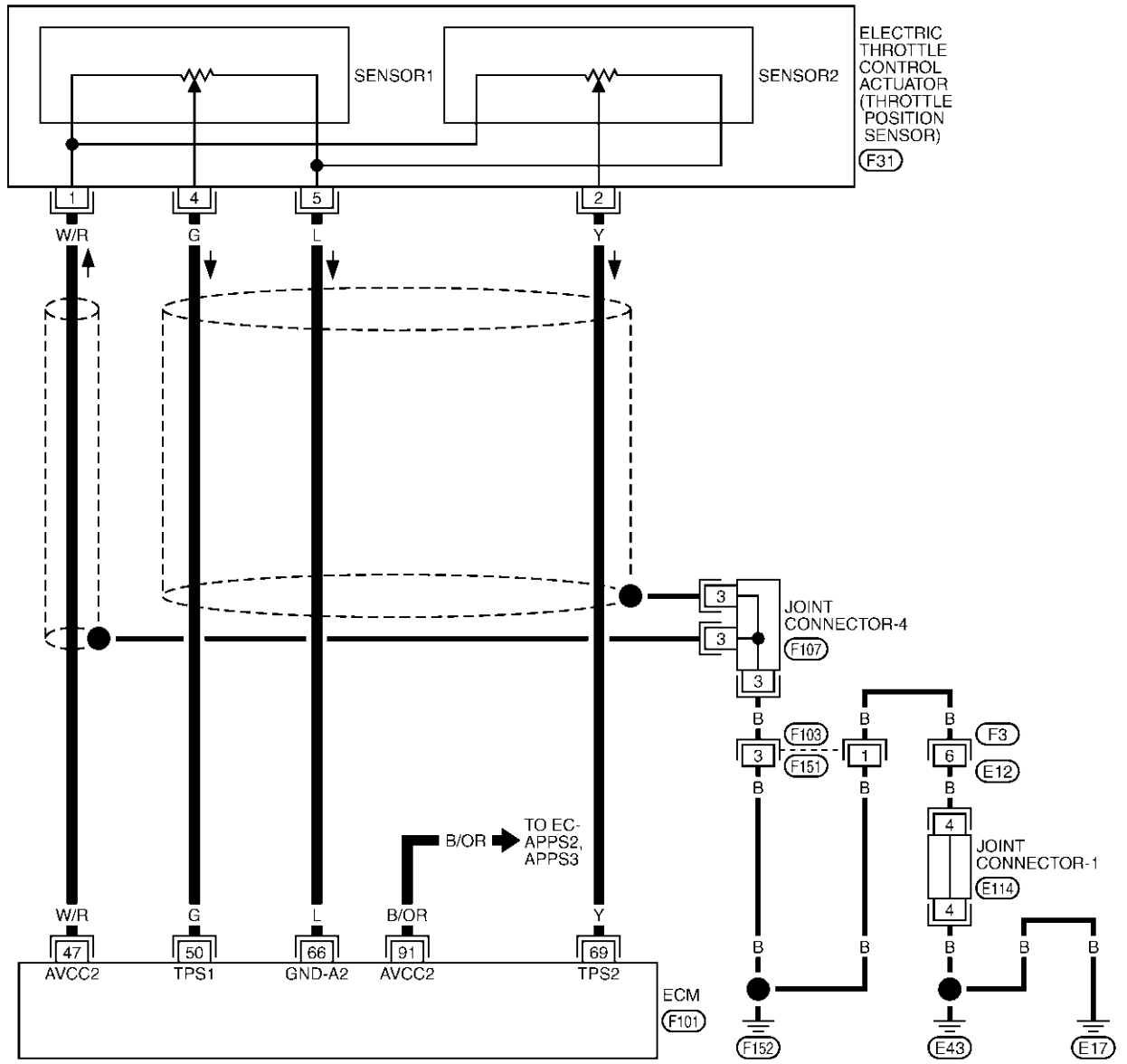
# DTC P2135 TP SENSOR

ABS000WU

## EC-TPS3-01

### Wiring Diagram

: DETECTABLE LINE FOR DTC  
 : NON-DETECTABLE LINE FOR DTC



TBWB0254E



# DTC P2135 TP SENSOR

Specification data are reference values and are measured between each terminal and ground.

**CAUTION:**

**Do not use ECM ground terminals when measuring input/output voltage. Doing so may result in damage to the ECM's transistor. Use a ground other than ECM terminals, such as the ground.**

TER-MINAL NO.	WIRE COLOR	ITEM	CONDITION	DATA (DC Voltage)
47	W/R	Sensors' power supply (Throttle position sensor)	<b>[Ignition switch "ON"]</b>	Approximately 5V
50	G	Throttle position sensor 1	<b>[Ignition switch "ON"]</b> <ul style="list-style-type: none"> <li>● Engine stopped</li> <li>● Shift lever: "D" (A/T) or "1st" (M/T)</li> <li>● Accelerator pedal fully released</li> </ul>	More than 0.36V
			<b>[Ignition switch "ON"]</b> <ul style="list-style-type: none"> <li>● Engine stopped</li> <li>● Shift lever: "D" (A/T) or "1st" (M/T)</li> <li>● Accelerator pedal fully depressed</li> </ul>	Less than 4.75V
66	L	Sensors' ground (Throttle position sensor)	<b>[Engine is running]</b> <ul style="list-style-type: none"> <li>● Warm-up condition</li> <li>● Idle speed</li> </ul>	Approximately 0V
69	Y	Throttle position sensor 2	<b>[Ignition switch "ON"]</b> <ul style="list-style-type: none"> <li>● Engine stopped</li> <li>● Shift lever: "D" (A/T) or "1st" (M/T)</li> <li>● Accelerator pedal fully released</li> </ul>	Less than 4.75V
			<b>[Ignition switch "ON"]</b> <ul style="list-style-type: none"> <li>● Engine stopped</li> <li>● Shift lever: "D" (A/T) or "1st" (M/T)</li> <li>● Accelerator pedal fully depressed</li> </ul>	More than 0.36V
91	B/OR	Sensors' power supply (APP sensor 2)	<b>[Ignition switch "ON"]</b>	Approximately 5V

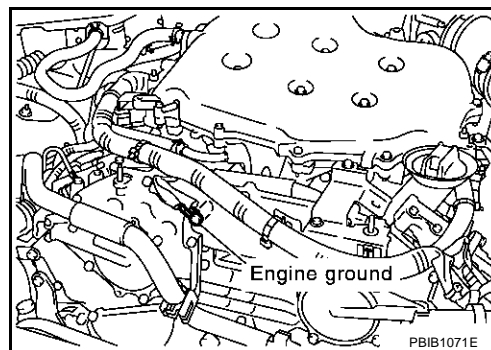
## Diagnostic Procedure

ABS000VV

### 1. RETIGHTEN GROUND SCREWS

1. Turn ignition switch "OFF".
2. Loosen and retighten engine ground screws.

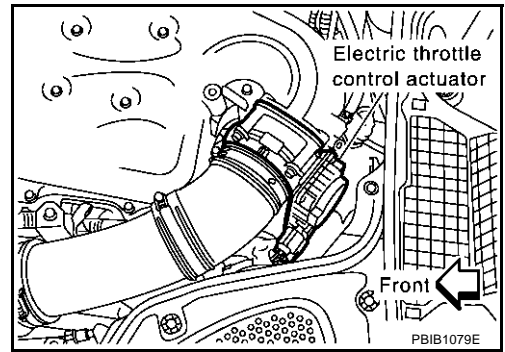
>> GO TO 2.



# DTC P2135 TP SENSOR

## 2. CHECK THROTTLE POSITION SENSOR POWER SUPPLY CIRCUIT-I

1. Disconnect electric throttle control actuator harness connector.
2. Turn ignition switch "ON".

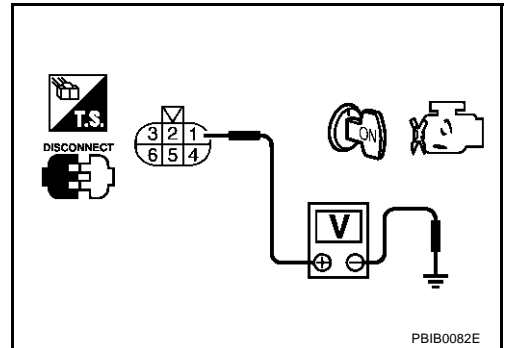


3. Check voltage between electric throttle control actuator terminal 1 and ground with CONSULT-II or tester.

**Voltage: Approximately 5V**

OK or NG

- OK >> GO TO 7.  
NG >> GO TO 3.



## 3. CHECK THROTTLE POSITION SENSOR POWER SUPPLY CIRCUIT-II

1. Turn ignition switch "OFF".
2. Disconnect ECM harness connector.
3. Check harness continuity between electric throttle control actuator terminal 1 and ECM terminal 47. Refer to Wiring Diagram.

**Continuity should exist.**

OK or NG

- OK >> GO TO 4.  
NG >> Repair or replace open circuit.

## 4. CHECK THROTTLE POSITION SENSOR POWER SUPPLY CIRCUIT-III

Check harness for short to power and short to ground, between the following terminals.

ECM terminal	Sensor terminal	Reference Wiring Diagram
47	Electric throttle control actuator terminal 1	<a href="#">EC-568</a>
91	APP sensor terminal 4	<a href="#">EC-561</a>

OK or NG

- OK >> GO TO 5.  
NG >> Repair short to ground or short to power in harness or connectors.

## 5. CHECK APP SENSOR

Refer to [EC-565, "Component Inspection"](#).

OK or NG

- OK >> GO TO 11.  
NG >> GO TO 6.

## DTC P2135 TP SENSOR

---

### 6. REPLACE ACCELERATOR PEDAL ASSEMBLY

---

1. Replace accelerator pedal assembly.
2. Perform [EC-50, "Accelerator Pedal Released Position Learning"](#) .
3. Perform [EC-51, "Throttle Valve Closed Position Learning"](#) .
4. Perform [EC-51, "Idle Air Volume Learning"](#) .

>> INSPECTION END

---

### 7. CHECK THROTTLE POSITION SENSOR GROUND CIRCUIT FOR OPEN AND SHORT

---

1. Turn ignition switch "OFF".
2. Disconnect ECM harness connector.
3. Check harness continuity between electric throttle control actuator terminal 5 and ECM terminal 66.  
Refer to Wiring Diagram.

**Continuity should exist.**

4. Also check harness for short to ground and short to power.

OK or NG

OK >> GO TO 8.

NG >> Repair open circuit or short to ground or short to power in harness or connectors.

---

### 8. CHECK THROTTLE POSITION SENSOR INPUT SIGNAL CIRCUIT FOR OPEN AND SHORT

---

1. Check harness continuity between ECM terminal 50 and electric throttle control actuator terminal 4, ECM terminal 69 and electric throttle control actuator terminal 2.  
Refer to Wiring Diagram.

**Continuity should exist.**

2. Also check harness for short to ground and short to power.

OK or NG

OK >> GO TO 9.

NG >> Repair open circuit or short to ground or short to power in harness or connectors.

---

### 9. CHECK THROTTLE POSITION SENSOR

---

Refer to [EC-572, "Component Inspection"](#) .

OK or NG

OK >> GO TO 11.

NG >> GO TO 10.

---

### 10. REPLACE ELECTRIC THROTTLE CONTROL ACTUATOR

---

1. Replace the electric throttle control actuator.
2. Perform [EC-51, "Throttle Valve Closed Position Learning"](#) .
3. Perform [EC-51, "Idle Air Volume Learning"](#) .

>> INSPECTION END

---

### 11. CHECK INTERMITTENT INCIDENT

---

Refer to [EC-137, "TROUBLE DIAGNOSIS FOR INTERMITTENT INCIDENT"](#) .

>> INSPECTION END

# DTC P2135 TP SENSOR

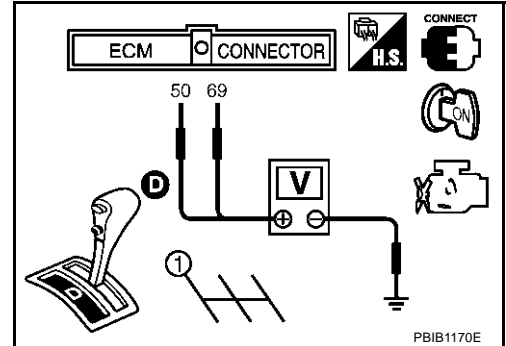
ABS000WW

## Component Inspection THROTTLE POSITION SENSOR

1. Reconnect all harness connectors disconnected.
2. Perform [EC-51, "Throttle Valve Closed Position Learning"](#) .
3. Turn ignition switch "ON".
4. Set selector lever to "D" (A/T) or "1st" (M/T) position.
5. Check voltage between ECM terminals 50 (TP sensor 1signal), 69 (TP sensor 2signal) and engine ground under the following conditions.

Terminal	Accelerator pedal	Voltage
50 (Throttle position sensor 1)	Fully released	More than 0.36V
	Fully depressed	Less than 4.75V
69 (Throttle position sensor 2)	Fully released	Less than 4.75V
	Fully depressed	More than 0.36V

6. If NG, replace electric throttle control actuator and go to the next step.
7. Perform [EC-51, "Throttle Valve Closed Position Learning"](#) .
8. Perform [EC-51, "Idle Air Volume Learning"](#) .



## Removal and Installation ELECTRIC THROTTLE CONTROL ACTUATOR

ABS000WX

Refer to [EM-17, "INTAKE MANIFOLD COLLECTOR"](#) .

# DTC P2138 APP SENSOR

## DTC P2138 APP SENSOR

PFP:18002

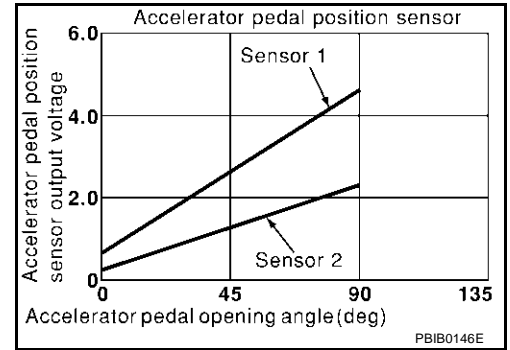
### Component Description

ABS000X6

The accelerator pedal position sensor is installed on the upper end of the accelerator pedal assembly. The sensor detects the accelerator position and sends a signal to the ECM.

Accelerator pedal position sensor has two sensors. These sensors are a kind of potentiometers which transform the accelerator pedal position into output voltage, and emit the voltage signal to the ECM. In addition, these sensors detect the opening and closing speed of the accelerator pedal and feed the voltage signals to the ECM. The ECM judges the current opening angle of the accelerator pedal from these signals and controls the throttle control motor based on these signals.

Idle position of the accelerator pedal is determined by the ECM receiving the signal from the accelerator pedal position sensor. The ECM uses this signal for the engine operation such as fuel cut.



### CONSULT-II Reference Value in Data Monitor Mode

ABS000X7

Specification data are reference values.

MONITOR ITEM	CONDITION	SPECIFICATION
ACCEL SEN1	● Ignition switch: ON (Engine stopped) Accelerator pedal: Fully released	0.5 - 1.0V
	Accelerator pedal: Fully depressed	4.0 - 4.8V
ACCEL SEN2*	● Ignition switch: ON (Engine stopped) Accelerator pedal: Fully released	0.3 - 1.2V
	Accelerator pedal: Fully depressed	3.9 - 4.8V
CLSD THL POS	● Ignition switch: ON (Engine stopped) Accelerator pedal: Fully released	ON
	Accelerator pedal: Slightly depressed	OFF

\*: Accelerator pedal position sensor 2 signal is converted by ECM internally. Thus, it differs from ECM terminal voltage.

### On Board Diagnosis Logic

ABS000X8

This self-diagnosis has the one trip detection logic.

#### NOTE:

If DTC P2138 is displayed with DTC P1229, first perform the trouble diagnosis for DTC P1229.

Refer to [EC-492](#).

DTC No.	Trouble diagnosis name	DTC detecting condition	Possible cause
P2138 2138	Accelerator pedal position sensor circuit range/performance problem	Rationally incorrect voltage is sent to ECM compared with the signals from APP sensor 1 and APP sensor 2.	<ul style="list-style-type: none"> <li>● Harness or connector (The APP sensor 1 and 2 circuit is open or shorted.) (TP sensor circuit is shorted.)</li> <li>● Accelerator pedal position sensor 1 and 2</li> <li>● Electric throttle control actuator (TP sensor 1 and 2)</li> </ul>

### FAIL-SAFE MODE

When the malfunction is detected, ECM enters fail-safe mode and the MIL lights up.

#### Engine operating condition in fail-safe mode

The ECM controls the electric throttle control actuator in regulating the throttle opening in order for the idle position to be within +10 degrees.

The ECM regulates the opening speed of the throttle valve to be slower than the normal condition.

So, the acceleration will be poor.

# DTC P2138 APP SENSOR

ABS000X9

## DTC Confirmation Procedure

### NOTE:

If "DTC Confirmation Procedure" has been previously conducted, always turn ignition switch "OFF" and wait at least 10 seconds before conducting the next test.

### TESTING CONDITION:

Before performing the following procedure, confirm that battery voltage is more than 10V at idle.

#### WITH CONSULT-II

1. Turn ignition switch "ON".
2. Select "DATA MONITOR" mode with CONSULT-II.
3. Start engine and let it idle for 1 second.
4. If DTC is detected, go to [EC-576, "Diagnostic Procedure"](#) .

DATA MONITOR	
MONITOR	NO DTC
ENG SPEED	XXX rpm

SEF058Y

#### WITH GST

Follow the procedure "WITH CONSULT-II" above.

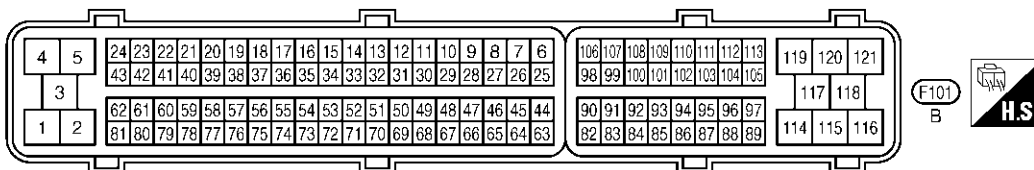
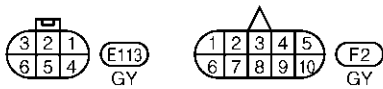
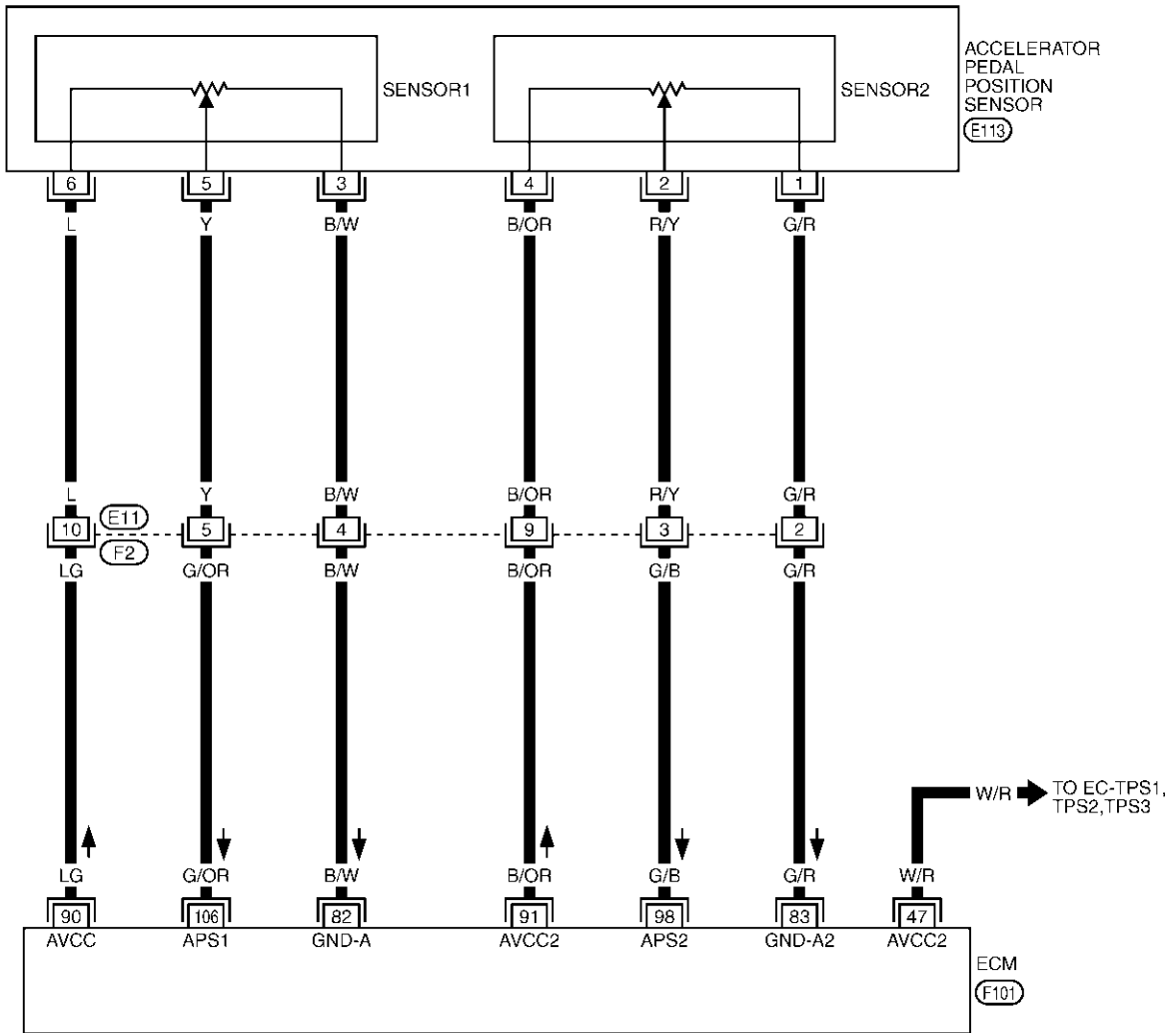
# DTC P2138 APP SENSOR

ABS000XA

## Wiring Diagram

EC-APPS3-01

: DETECTABLE LINE FOR DTC  
 : NON-DETECTABLE LINE FOR DTC



TBWB0257E

# DTC P2138 APP SENSOR

Specification data are reference values and are measured between each terminal and ground.

**CAUTION:**

**Do not use ECM ground terminals when measuring input/output voltage. Doing so may result in damage to the ECM's transistor. Use a ground other than ECM terminals, such as the ground.**

TER-MINAL NO.	WIRE COLOR	ITEM	CONDITION	DATA (DC Voltage)
47	W/R	Sensors' power supply (Throttle position sensor)	[Ignition switch "ON"]	Approximately 5V
82	B/W	Sensors' ground (APP sensor 1)	[Engine is running] ● Warm-up condition ● Idle speed	Approximately 0V
83	G/R	Sensors' ground (APP sensor 2)	[Engine is running] ● Warm-up condition ● Idle speed	Approximately 0V
90	LG	Sensors' power supply (APP sensor 1)	[Ignition switch "ON"]	Approximately 5V
91	B/OR	Sensors' power supply (APP sensor 2)	[Ignition switch "ON"]	Approximately 5V
98	G/B	Accelerator pedal position sensor 2	[Ignition switch "ON"] ● Engine stopped ● Accelerator pedal fully released	0.15 - 0.60V
			[Ignition switch "ON"] ● Engine stopped ● Accelerator pedal fully depressed	1.95 - 2.40V
106	G/OR	Accelerator pedal position sensor 1	[Ignition switch "ON"] ● Engine stopped ● Accelerator pedal fully released	0.5 - 1.0V
			[Ignition switch "ON"] ● Engine stopped ● Accelerator pedal fully depressed	3.9 - 4.7V

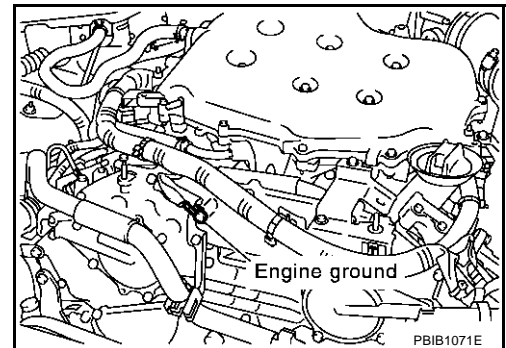
## Diagnostic Procedure

ABS000XB

### 1. RETIGHTEN GROUND SCREWS

1. Turn ignition switch "OFF".
2. Loosen and retighten engine ground screws.

>> GO TO 2.

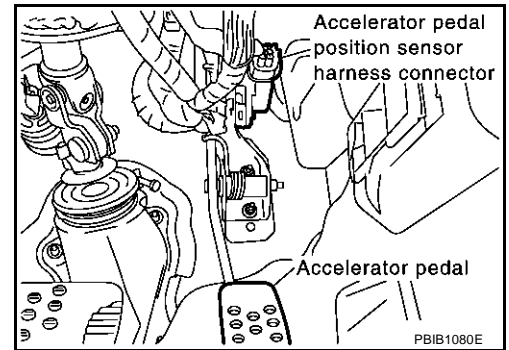




# DTC P2138 APP SENSOR

## 2. CHECK APP SENSOR 1 POWER SUPPLY CIRCUIT

1. Disconnect accelerator pedal position (APP) sensor harness connector.
2. Turn ignition switch "ON".

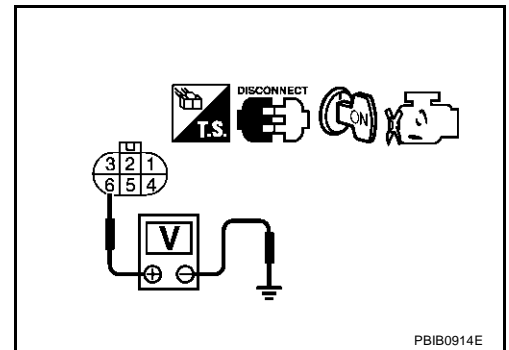


3. Check voltage between APP sensor terminal 6 and ground with CONSULT-II or tester.

**Voltage: Approximately 5V**

OK or NG

- OK >> GO TO 4.
- NG >> GO TO 3.



## 3. DETECT MALFUNCTIONING PART

Check the following.

- Harness connectors E11, F2
- Harness for open or short between ECM and accelerator pedal position sensor

>> Repair open circuit or short to ground or short to power in harness or connectors.

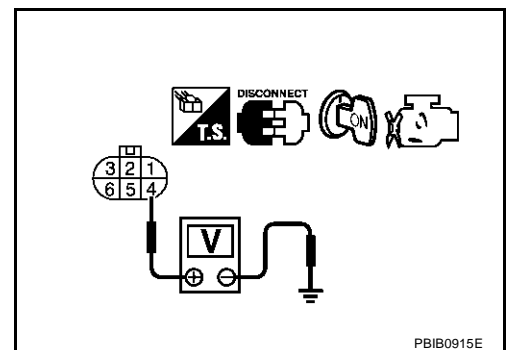
## 4. CHECK APP SENSOR 2 POWER SUPPLY CIRCUIT-I

Check voltage between APP sensor terminal 4 and ground with CONSULT-II or tester.

**Voltage: Approximately 5V**

OK or NG

- OK >> GO TO 10.
- NG >> GO TO 5.



# DTC P2138 APP SENSOR

---

## 5. CHECK APP SENSOR 2 POWER SUPPLY CIRCUIT-II

---

1. Turn ignition switch "OFF".
2. Disconnect ECM harness connector.
3. Check harness continuity between APP sensor terminal 4 and ECM terminal 91.  
Refer to Wiring Diagram.

**Continuity should exist.**

OK or NG

- OK >> GO TO 7.  
NG >> GO TO 6.

---

## 6. DETECT MALFUNCTIONING PART

---

Check the following.

- Harness connectors E11, F2
- Harness for open between ECM and accelerator pedal position sensor

>> Repair or replace open circuit.

---

## 7. CHECK APP SENSOR 2 POWER SUPPLY CIRCUIT-III

---

Check harness for short to power and short to ground, between the following terminals.

ECM terminal	Sensor terminal	Reference Wiring Diagram
91	APP sensor terminal 4	<a href="#">EC-575</a>
47	Electric throttle control actuator terminal 1	<a href="#">EC-569</a>

OK or NG

- OK >> GO TO 8.  
NG >> Repair short to ground or short to power in harness or connectors.

---

## 8. CHECK THROTTLE POSITION SENSOR

---

Refer to [EC-572, "Component Inspection"](#) .

OK or NG

- OK >> GO TO 16.  
NG >> GO TO 9.

---

## 9. REPLACE ELECTRIC THROTTLE CONTROL ACTUATOR

---

1. Replace the electric throttle control actuator.
2. Perform [EC-51, "Throttle Valve Closed Position Learning"](#) .
3. Perform [EC-51, "Idle Air Volume Learning"](#) .

>> **INSPECTION END**

# DTC P2138 APP SENSOR

---

## 10. CHECK APP SENSOR GROUND CIRCUIT FOR OPEN AND SHORT

---

1. Turn ignition switch "OFF".
2. Disconnect ECM harness connector.
3. Check harness continuity between APP sensor terminal 1 and ECM terminal 83, APP sensor terminal 3 and ECM terminal 82.  
Refer to Wiring Diagram.

**Continuity should exist.**

4. Also check harness for short to ground and short to power.

OK or NG

- OK >> GO TO 12.  
NG >> GO TO 11.

---

## 11. DETECT MALFUNCTIONING PART

---

Check the following.

- Harness connectors E11, F2
- Harness for open or short between ECM and accelerator pedal position sensor

>> Repair open circuit or short to ground or short to power in harness or connectors.

---

## 12. CHECK APP SENSOR INPUT SIGNAL CIRCUIT FOR OPEN AND SHORT

---

1. Check harness continuity between ECM terminal 106 and APP sensor terminal 5, ECM terminal 98 and APP sensor terminal 2.  
Refer to Wiring Diagram.

**Continuity should exist.**

2. Also check harness for short to ground and short to power.

OK or NG

- OK >> GO TO 14.  
NG >> GO TO 13.

---

## 13. DETECT MALFUNCTIONING PART

---

Check the following.

- Harness connectors E11, F2
- Harness for open or short between ECM and accelerator pedal position sensor

>> Repair open circuit or short to ground or short to power in harness or connectors.

---

## 14. CHECK APP SENSOR

---

Refer to [EC-580, "Component Inspection"](#) .

OK or NG

- OK >> GO TO 16.  
NG >> GO TO 15.

A  
EC  
C  
D  
E  
F  
G  
H  
I  
J  
K  
L  
M

# DTC P2138 APP SENSOR

## 15. REPLACE ACCELERATOR PEDAL ASSEMBLY

1. Replace accelerator pedal assembly.
2. Perform [EC-50, "Accelerator Pedal Released Position Learning"](#) .
3. Perform [EC-51, "Throttle Valve Closed Position Learning"](#) .
4. Perform [EC-51, "Idle Air Volume Learning"](#) .

>> INSPECTION END

## 16. CHECK INTERMITTENT INCIDENT

Refer to [EC-137, "TROUBLE DIAGNOSIS FOR INTERMITTENT INCIDENT"](#) .

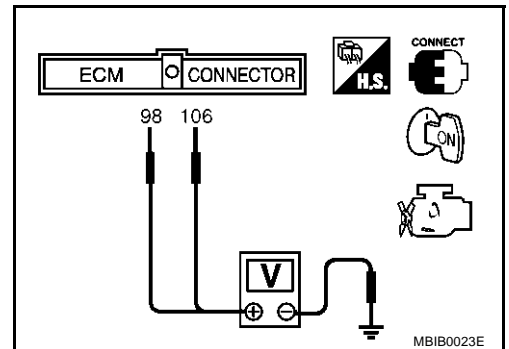
>> INSPECTION END

### Component Inspection ACCELERATOR PEDAL POSITION SENSOR

ABS000XC

1. Reconnect all harness connectors disconnected.
2. Turn ignition switch "ON".
3. Check voltage between ECM terminals 106 (APP sensor 1 signal), 98 (APP sensor 2 signal) and engine ground under the following conditions.

Terminal	Accelerator pedal	Voltage
106 (Accelerator pedal position sensor 1)	Fully released	0.5 - 1.0V
	Fully depressed	3.9 - 4.7V
98 (Accelerator pedal position sensor 2)	Fully released	0.15 - 0.60V
	Fully depressed	1.95 - 2.40V



4. If NG, replace accelerator pedal assembly and go to next step.
5. Perform [EC-50, "Accelerator Pedal Released Position Learning"](#) .
6. Perform [EC-51, "Throttle Valve Closed Position Learning"](#) .
7. Perform [EC-51, "Idle Air Volume Learning"](#) .

### Removal and Installation ACCELERATOR PEDAL

ABS000XD

Refer to [ACC-2, "ACCELERATOR CONTROL SYSTEM"](#) .

# IGNITION SIGNAL

## IGNITION SIGNAL

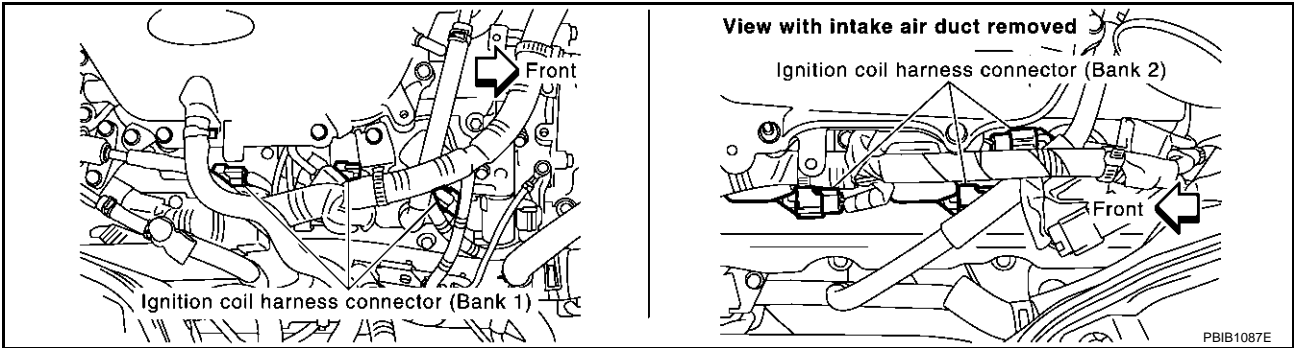
PFP:22448

### Component Description

ABS0015R

### IGNITION COIL & POWER TRANSISTOR

The ignition signal from the ECM is sent to and amplified by the power transistor. The power transistor turns on and off the ignition coil primary circuit. This on-off operation induces the proper high voltage in the coil secondary circuit.



A  
EC  
C  
D  
E  
F  
G  
H  
I  
J  
K  
L  
M



# IGNITION SIGNAL

Specification data are reference values and are measured between each terminal and ground.

**CAUTION:**

**Do not use ECM ground terminals when measuring input/output voltage. Doing so may result in damage to the ECM's transistor. Use a ground other than ECM terminals, such as the ground.**

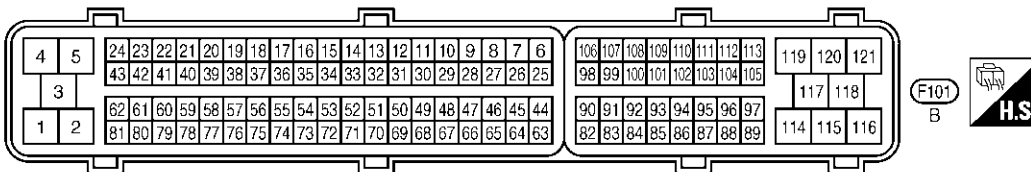
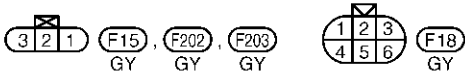
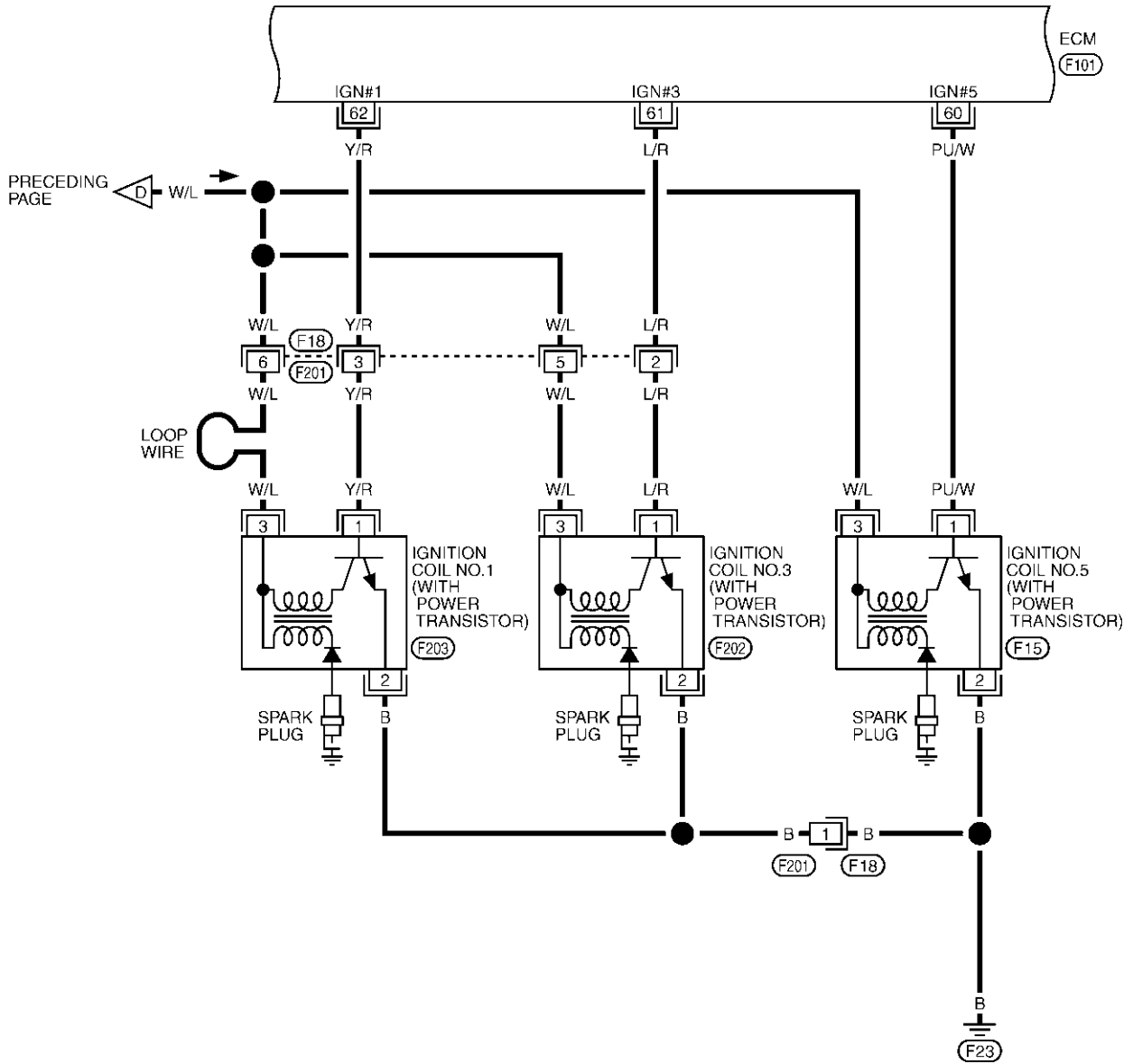
TER-MINAL NO.	WIRE COLOR	ITEM	CONDITION	DATA (DC Voltage)
111	GY/L	ECM relay (Self shut-off)	<b>[Engine is running]</b> <b>[Ignition switch "OFF"]</b> <ul style="list-style-type: none"> <li>● For a few seconds after turning ignition switch "OFF"</li> </ul>	0 - 1.5V
			<b>[Ignition switch "OFF"]</b> <ul style="list-style-type: none"> <li>● A few seconds passed after turning ignition switch "OFF"</li> </ul>	BATTERY VOLTAGE (11 - 14V)
119 120	G/Y P	Power supply for ECM	<b>[Ignition switch "ON"]</b>	BATTERY VOLTAGE (11 - 14V)

A  
EC  
C  
D  
E  
F  
G  
H  
I  
J  
K  
L  
M

# IGNITION SIGNAL

## EC-IGNSYS-02

: DETECTABLE LINE FOR DTC  
 : NON-DETECTABLE LINE FOR DTC



TBWT0239E

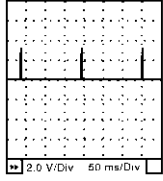
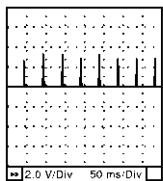


# IGNITION SIGNAL

Specification data are reference values and are measured between each terminal and ground.

**CAUTION:**

**Do not use ECM ground terminals when measuring input/output voltage. Doing so may result in damage to the ECM's transistor. Use a ground other than ECM terminals, such as the ground.**

TER-MINAL NO.	WIRE COLOR	ITEM	CONDITION	DATA (DC Voltage)
60 61 62	PU/W L/R Y/R	Ignition signal No. 5 Ignition signal No. 3 Ignition signal No. 1	<p>[Engine is running]</p> <ul style="list-style-type: none"> <li>● Warm-up condition</li> <li>● Idle speed</li> </ul>	<p>0 - 0.2V★</p> 
			<p>[Engine is running]</p> <ul style="list-style-type: none"> <li>● Warm-up condition</li> <li>● Engine speed is 2,500 rpm.</li> </ul>	<p>0.1 - 0.4V★</p> 

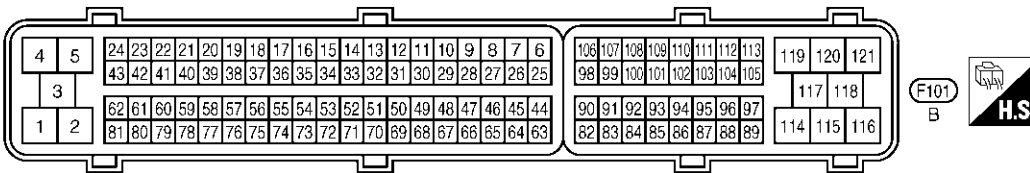
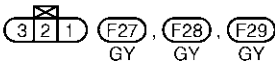
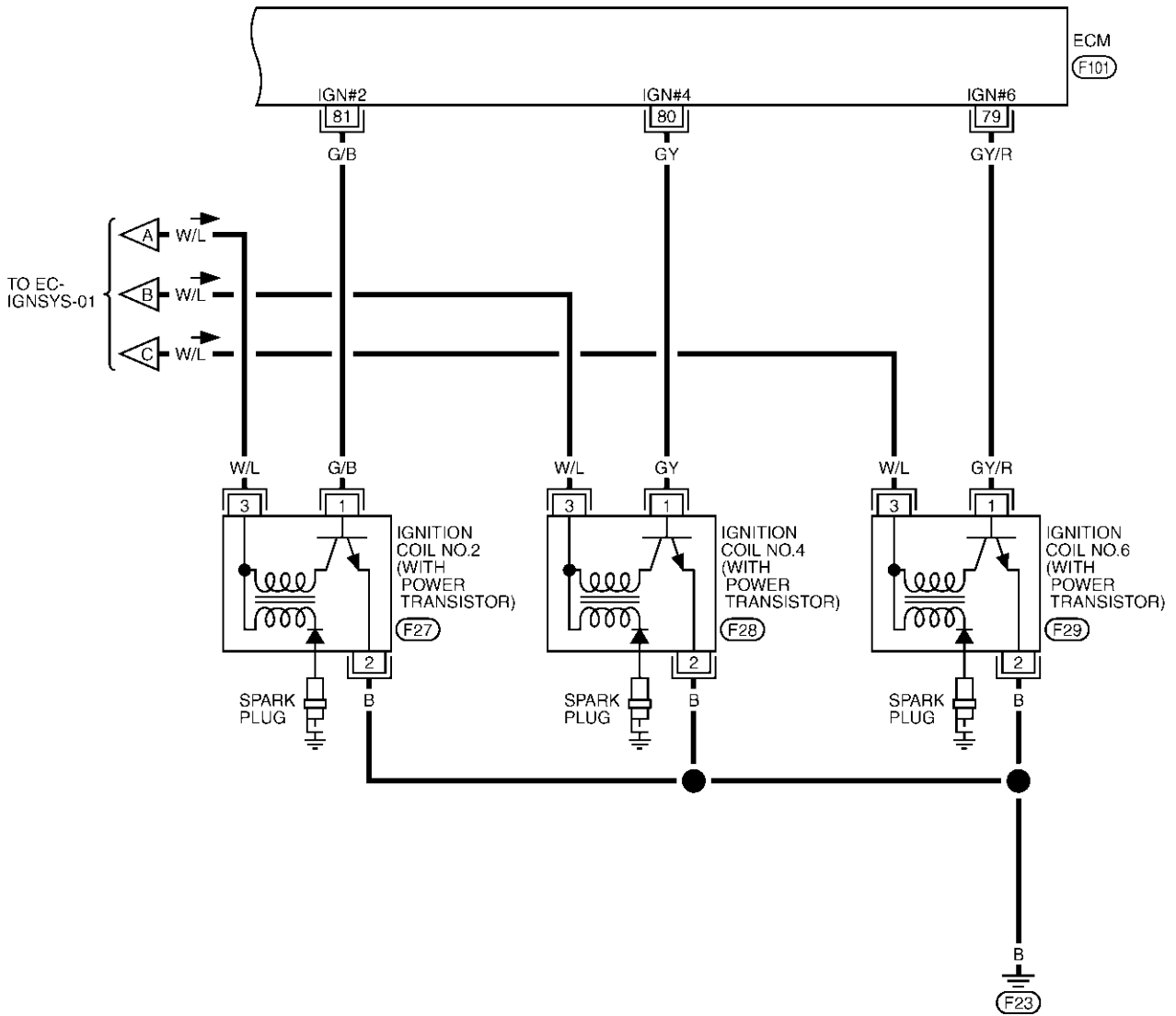
★: Average voltage for pulse signal (Actual pulse signal can be confirmed by oscilloscope.)

A  
EC  
C  
D  
E  
F  
G  
H  
I  
J  
K  
L  
M

# IGNITION SIGNAL

## EC-IGNSYS-03

: DETECTABLE LINE FOR DTC  
 : NON-DETECTABLE LINE FOR DTC



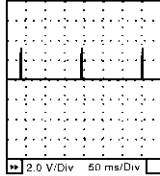
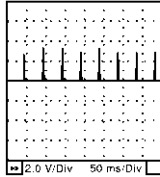
TBWT0240E

# IGNITION SIGNAL

Specification data are reference values and are measured between each terminal and ground.

**CAUTION:**

**Do not use ECM ground terminals when measuring input/output voltage. Doing so may result in damage to the ECM's transistor. Use a ground other than ECM terminals, such as the ground.**

TER-MINAL NO.	WIRE COLOR	ITEM	CONDITION	DATA (DC Voltage)
79 80 81	GY/R GY G/B	Ignition signal No. 6 Ignition signal No. 4 Ignition signal No. 2	<p>[Engine is running]</p> <ul style="list-style-type: none"> <li>● Warm-up condition</li> <li>● Idle speed</li> </ul>	<p>0 - 0.2V★</p> 
			<p>[Engine is running]</p> <ul style="list-style-type: none"> <li>● Warm-up condition</li> <li>● Engine speed is 2,500 rpm.</li> </ul>	<p>0.1 - 0.4V★</p> 

★: Average voltage for pulse signal (Actual pulse signal can be confirmed by oscilloscope.)

## Diagnostic Procedure

ABS0015T

### 1. CHECK ENGINE START

Turn ignition switch "OFF", and restart engine.

**Is engine running?**

Yes or No

Yes (With CONSULT-II)>>GO TO 2.

Yes (Without CONSULT-II)>>GO TO 3.

No >> GO TO 4.

### 2. CHECK OVERALL FUNCTION

Ⓟ **With CONSULT-II**

1. Perform "POWER BALANCE" in "ACTIVE TEST" mode with CONSULT-II.
2. Make sure that each circuit produces a momentary engine speed drop.

OK or NG

OK >> **INSPECTION END**

NG >> GO TO 10.

<b>ACTIVE TEST</b>	
<b>POWER BALANCE</b>	
<b>MONITOR</b>	
<b>ENG SPEED</b>	XXX rpm
<b>MAS A/F SE-B1</b>	XXX V

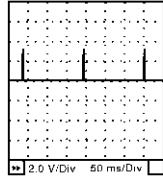
PBIB0133E

# IGNITION SIGNAL

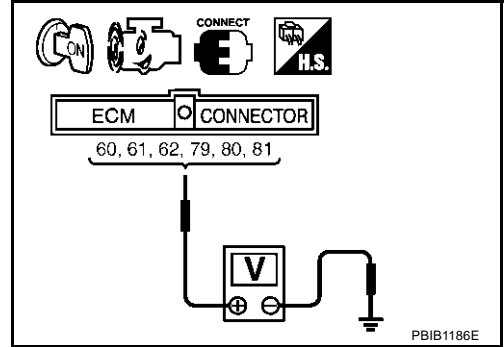
## 3. CHECK OVERALL FUNCTION

### ⊗ Without CONSULT-II

1. Let engine idle.
2. Read the voltage signal between ECM terminals 60, 61, 62, 79, 80, 81 and ground with an oscilloscope.
3. Verify that the oscilloscope screen shows the signal wave as shown below.



SEC986C



OK or NG

- OK >> **INSPECTION END**  
NG >> GO TO 10.

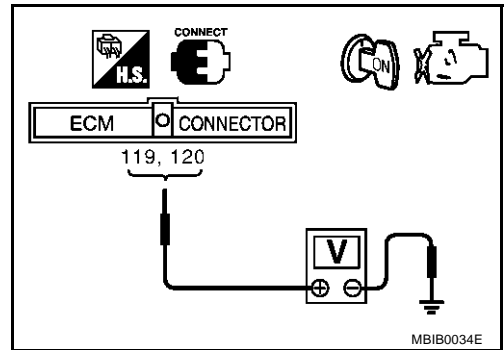
## 4. CHECK IGNITION COIL POWER SUPPLY CIRCUIT-I

1. Turn ignition switch OFF, wait at least 10 seconds and then turn ON.
2. Check voltage between ECM terminals 119, 120 and ground with CONSULT-II or tester.

**Voltage: Battery voltage**

OK or NG

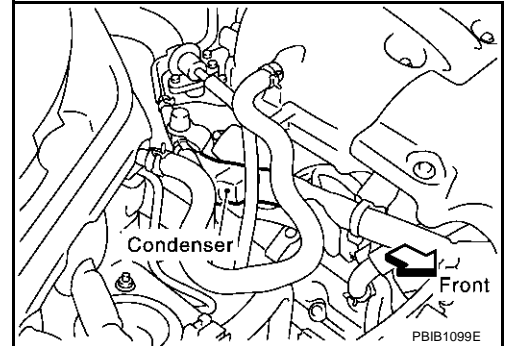
- OK >> GO TO 5.  
NG >> Go to [EC-138, "POWER SUPPLY CIRCUIT FOR ECM"](#)



# IGNITION SIGNAL

## 5. CHECK IGNITION COIL POWER SUPPLY CIRCUIT-II

1. Turn ignition switch "OFF".
2. Disconnect condenser harness connector.

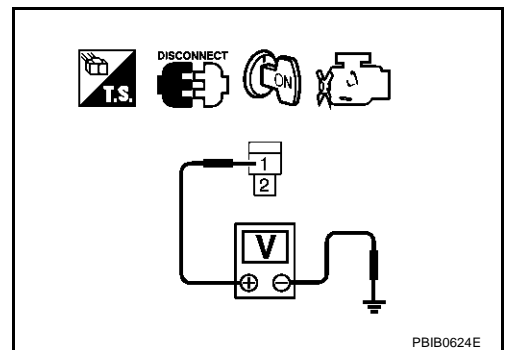


3. Turn ignition switch "ON".
4. Check voltage between condenser terminal 1 and ground with CONSULT-II or tester.

**Voltage: Battery voltage**

OK or NG

- OK >> GO TO 8.
- NG >> GO TO 6.



## 6. CHECK IGNITION COIL POWER SUPPLY CIRCUIT-III

1. Turn ignition switch OFF.
2. Disconnect IPDM E/R harness connector.
3. Check harness continuity between IPDM E/R terminal 35 and condenser terminal 1. Refer to Wiring Diagram.

**Continuity should exist.**

4. Also check harness for short to ground and short to power.

OK or NG

- OK >> GO TO 17.
- NG >> GO TO 7.

## 7. DETECT MALFUNCTIONING PART

Check the following.

- Harness connectors E12, F3
- Joint connector-1
- Harness for open and short between IPDM E/R and condenser

>> Repair open circuit or short to ground or short to power in harness or connectors.

# IGNITION SIGNAL

## 8. CHECK CONDENSER GROUND CIRCUIT FOR OPEN AND SHORT

1. Turn ignition switch OFF.
2. Check harness continuity between condenser terminal 2 and engine ground.  
Refer to Wiring Diagram.

**Continuity should exist.**

3. Also check harness for short to power.

OK or NG

OK >> GO TO 9.

NG >> Repair open circuit or short to power in harness or connectors.

## 9. CHECK CONDENSER

Refer to [EC-592, "Component Inspection"](#).

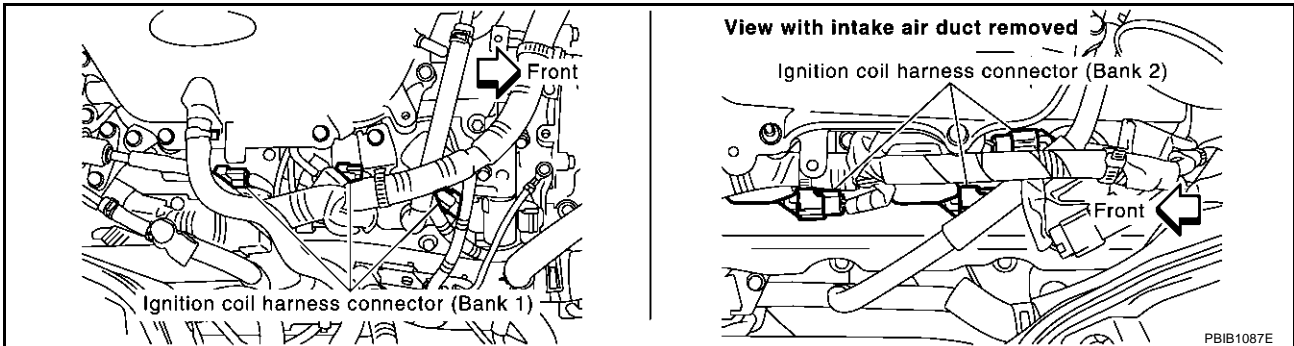
OK or NG

OK >> GO TO 10.

NG >> Replace condenser.

## 10. CHECK IGNITION COIL POWER SUPPLY CIRCUIT-V

1. Turn ignition switch OFF.
2. Reconnect all harness connectors disconnected.
3. Disconnect ignition coil harness connector.



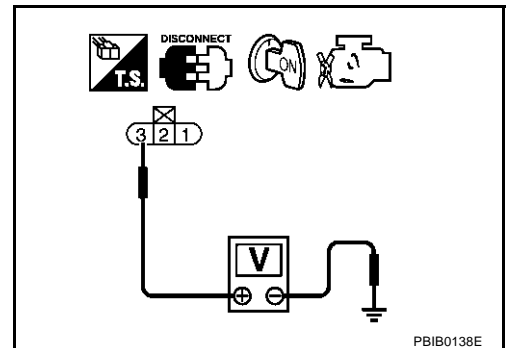
4. Turn ignition switch ON.
5. Check voltage between ignition coil terminal 3 and ground with CONSULT-II or tester.

**Voltage: Battery voltage**

OK or NG

OK >> GO TO 12.

NG >> GO TO 11.



## 11. DETECT MALFUNCTIONING PART

Check the following.

- Harness connectors F18, F201
- Harness for open or short between ignition coil and harness connector F3

>> Repair or replace harness or connectors.

# IGNITION SIGNAL

---

## 12. CHECK IGNITION COIL GROUND CIRCUIT FOR OPEN AND SHORT

---

1. Turn ignition switch OFF.
2. Check harness continuity between ignition coil terminal 2 and engine ground.  
Refer to Wiring Diagram.

**Continuity should exist.**

3. Also check harness for short to power.

OK or NG

- OK >> GO TO 14.
- NG >> GO TO 13.

---

## 13. DETECT MALFUNCTIONING PART

---

Check the following.

- Harness connectors F18, F201
- Harness for open or short between ignition coil and engine ground

>> Repair open circuit or short to power in harness or connectors.

---

## 14. CHECK IGNITION COIL OUTPUT SIGNAL CIRCUIT FOR OPEN AND SHORT

---

1. Disconnect ECM harness connector.
2. Check harness continuity between ECM terminals 60, 61, 62, 79, 80, 81 and ignition coil terminal 1.  
Refer to Wiring Diagram.

**Continuity should exist.**

3. Also check harness for short to ground and short to power.

OK or NG

- OK >> GO TO 16.
- NG >> GO TO 15.

---

## 15. DETECT MALFUNCTIONING PART

---

Check the following.

- Harness connectors F18, F201
- Harness for open or short between ignition coil and ECM

>> Repair open circuit or short to ground or short to power in harness or connectors.

---

## 16. CHECK IGNITION COIL WITH POWER TRANSISTOR

---

Refer to [EC-592, "Component Inspection"](#) .

OK or NG

- OK >> GO TO 17.
- NG >> Replace ignition coil with power transistor.

---

## 17. CHECK INTERMITTENT INCIDENT

---

Refer to [EC-137, "TROUBLE DIAGNOSIS FOR INTERMITTENT INCIDENT"](#) .

OK or NG

- OK >> Replace IPDM E/R. Refer to [PG-17, "IPDM E/R \(INTELLIGENT POWER DISTRIBUTION MODULE ENGINE ROOM\)"](#) .
- NG >> Repair open circuit or short to ground or short to power in harness or connectors.

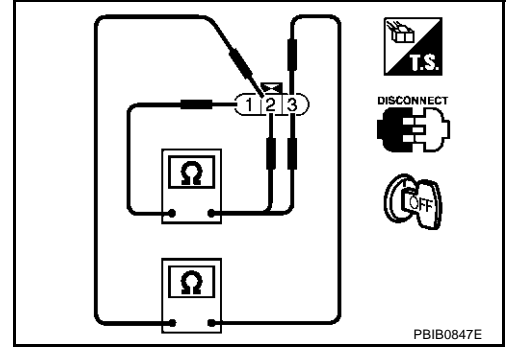
# IGNITION SIGNAL

ABS0015U

## Component Inspection IGNITION COIL WITH POWER TRANSISTOR

1. Turn ignition switch "OFF".
2. Disconnect ignition coil harness connector.
3. Check resistance between ignition coil terminals as follows.

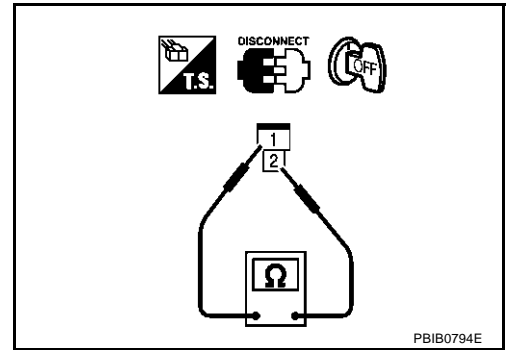
Terminal No. (Polarity)	Resistance $\Omega$ [at 25°C (77°F)]
1 and 2	Except 0 or $\infty$
1 and 3	Except 0
2 and 3	



## CONDENSER

1. Turn ignition switch "OFF".
2. Disconnect condenser harness connector.
3. Check resistance between condenser terminals 1 and 2.

Resistance	Above 1 M $\Omega$ at 25°C (77°F)
------------	-----------------------------------



## Removal and Installation IGNITION COIL WITH POWER TRANSISTOR

Refer to [EM-31, "IGNITION COIL"](#).

ABS0015V



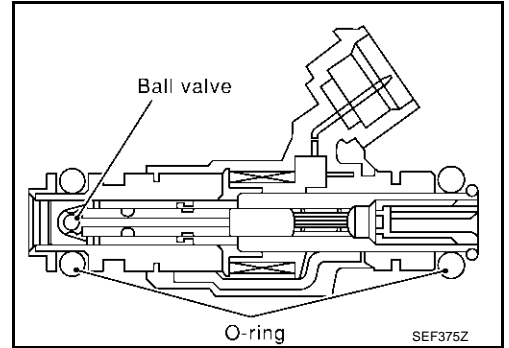
# INJECTOR CIRCUIT

## INJECTOR CIRCUIT

PFP:16600

### Component Description

The fuel injector is a small, precise solenoid valve. When the ECM supplies a ground to the injector circuit, the coil in the injector is energized. The energized coil pulls the needle valve back and allows fuel to flow through the injector into the intake manifold. The amount of fuel injected depends upon the injection pulse duration. Pulse duration is the length of time the injector remains open. The ECM controls the injection pulse duration based on engine fuel needs.



### CONSULT-II Reference Value in Data Monitor Mode

ABS0015X

Specification data are reference values.

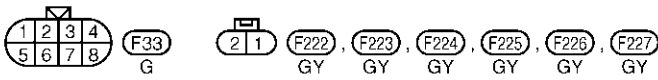
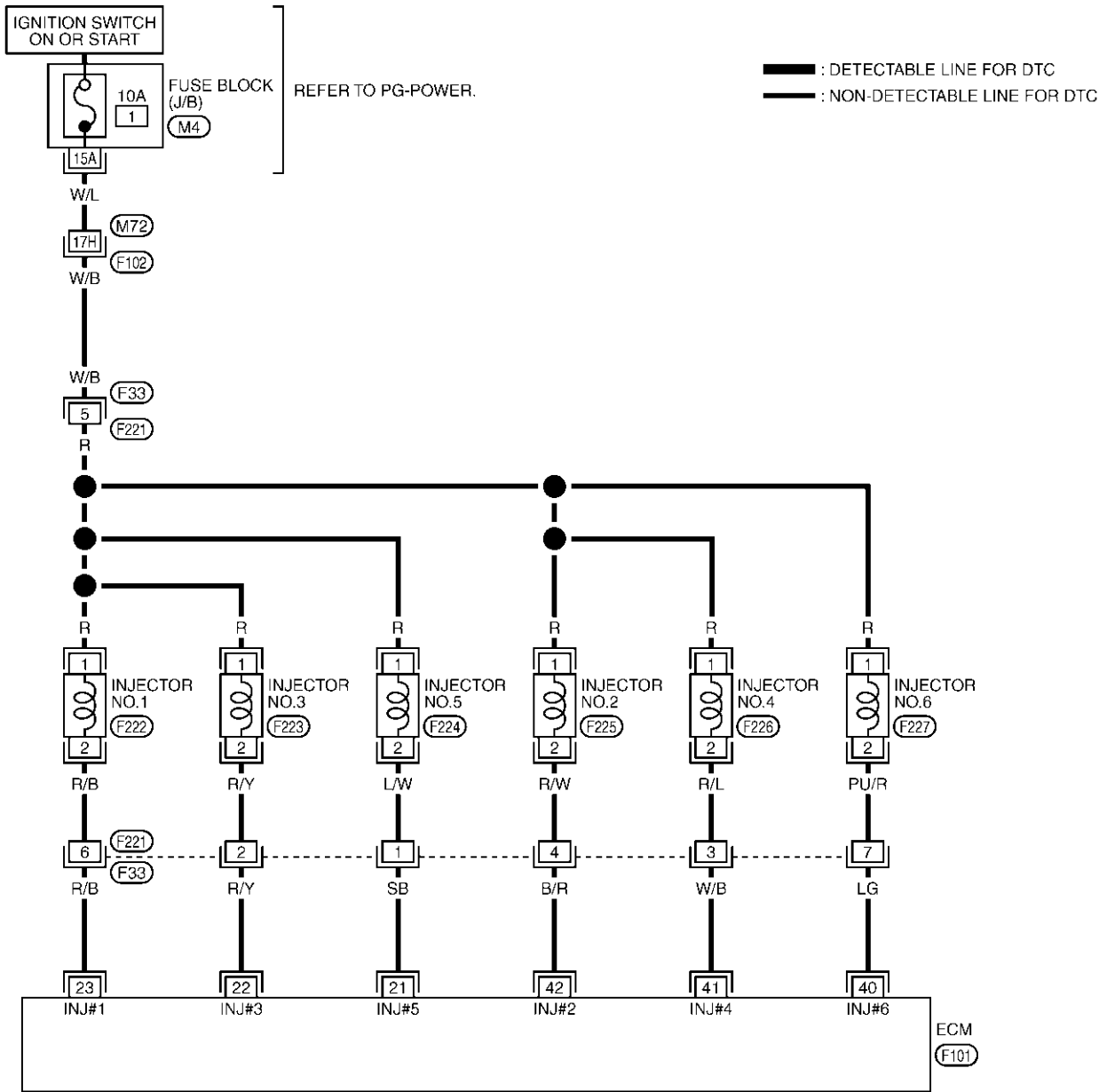
MONITOR ITEM	CONDITION		SPECIFICATION
B/FUEL SCHDL	● Engine: After warming up	Idle	2.5 - 3.5 msec
	● Shift lever: N (A/T), Neutral (M/T)	2,000 rpm	2.5 - 3.5 msec
INJ PULSE-B1 INJ PULSE-B2	● Air conditioner switch: OFF	Idle	2.0 - 3.0 msec
	● No-load	2,000 rpm	1.9 - 2.9 msec

# INJECTOR CIRCUIT

ABS0015Y

## EC-INJECT-01

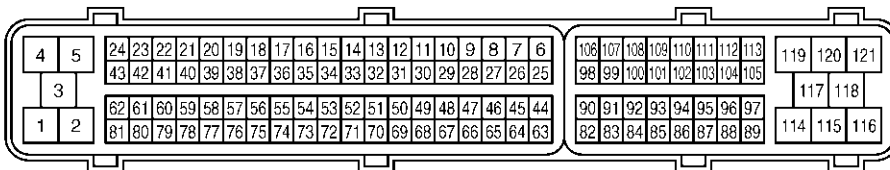
### Wiring Diagram



REFER TO THE FOLLOWING.

F102 -SUPER MULTIPLE JUNCTION (SMJ)

M4 -FUSE BLOCK-JUNCTION BOX (J/B)



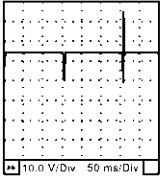
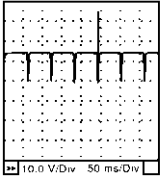
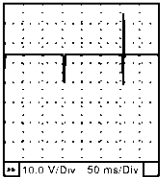
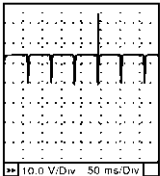
TBWT0241E

# INJECTOR CIRCUIT

Specification data are reference values and are measured between each terminal and ground.

**CAUTION:**

Do not use ECM ground terminals when measuring input/output voltage. Doing so may result in damage to the ECM's transistor. Use a ground other than ECM terminals, such as the ground.

TER-MINAL NO.	WIRE COLOR	ITEM	CONDITION	DATA (DC Voltage)
21 22 23	SB R/Y R/B	Injector No. 5 Injector No. 3 Injector No. 1	[Engine is running] ● Warm-up condition ● Idle speed	BATTERY VOLTAGE (11 - 14V) <sup>★</sup>  SEC984C
			[Engine is running] ● Warm-up condition ● Engine speed is 2,000 rpm	BATTERY VOLTAGE (11 - 14V) <sup>★</sup>  SEC985C
40 41 42	LG W/B B/R	Injector No. 6 Injector No. 4 Injector No. 2	[Engine is running] ● Warm-up condition ● Idle speed	BATTERY VOLTAGE (11 - 14V) <sup>★</sup>  SEC984C
			[Engine is running] ● Warm-up condition ● Engine speed is 2,000 rpm	BATTERY VOLTAGE (11 - 14V) <sup>★</sup>  SEC985C

★: Average voltage for pulse signal (Actual pulse signal can be confirmed by oscilloscope.)

## Diagnostic Procedure

ABS0015Z

### 1. INSPECTION START

Turn ignition switch to "START".

**Is any cylinder ignited?**

Yes or No

- Yes >> GO TO 2.
- No >> GO TO 3.

# INJECTOR CIRCUIT

## 2. CHECK OVERALL FUNCTION

### ④ With CONSULT-II

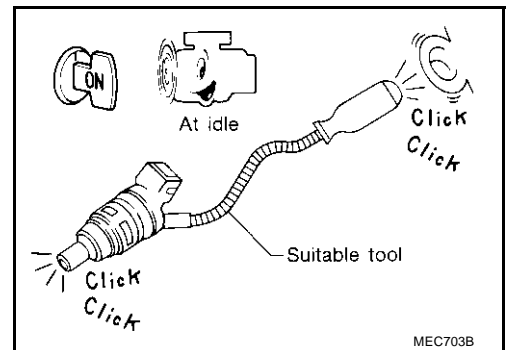
1. Start engine.
2. Perform "POWER BALANCE" in "ACTIVE TEST" mode with CONSULT-II.
3. Make sure that each circuit produces a momentary engine speed drop.

ACTIVE TEST	
POWER BALANCE	
MONITOR	
ENG SPEED	XXX rpm
MAS A/F SE-B1	XXX V

PBIB0133E

### ⊗ Without CONSULT-II

1. Start engine.
2. Listen to each injector operating sound.  
**Clicking noise should be heard.**



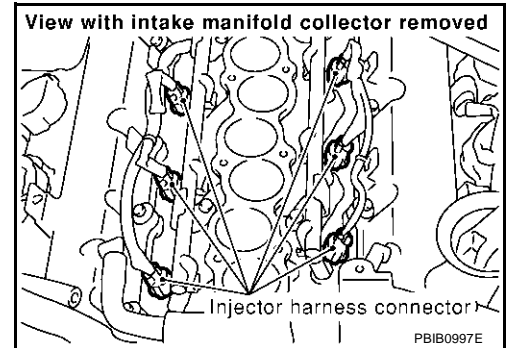
### OK or NG

- OK >> **INSPECTION END**  
NG >> GO TO 3.

# INJECTOR CIRCUIT

## 3. CHECK INJECTOR POWER SUPPLY CIRCUIT

1. Turn ignition switch "OFF".
2. Disconnect injector harness connector.
3. Turn ignition switch "ON".

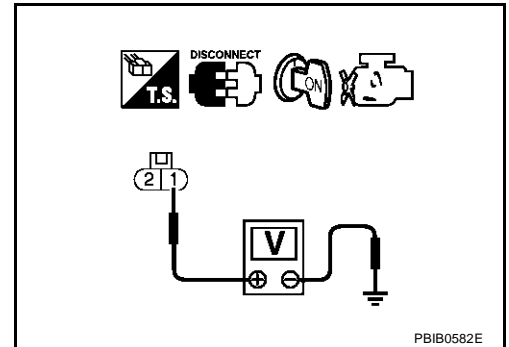


4. Check voltage between injector terminal 1 and ground with CONSULT-II or tester.

**Voltage: Battery voltage**

OK or NG

- OK >> GO TO 5.
- NG >> GO TO 4.



## 4. DETECT MALFUNCTIONING PART

Check the following.

- Harness connectors M72, F102
- Harness connectors F33, F221
- Fuse block (J/B) connector M4
- 10A fuse
- Harness for open or short between injector and fuse

>> Repair harness or connectors.

## 5. CHECK INJECTOR OUTPUT SIGNAL CIRCUIT FOR OPEN AND SHORT

1. Turn ignition switch "OFF".
2. Disconnect ECM harness connector.
3. Check harness continuity between injector terminal 2 and ECM terminals 21, 22, 23, 40, 41, 42. Refer to Wiring Diagram.

**Continuity should exist.**

4. Also check harness for short to ground and short to power.

OK or NG

- OK >> GO TO 7.
- NG >> GO TO 6.

# INJECTOR CIRCUIT

## 6. DETECT MALFUNCTIONING PART

Check the following.

- Harness connectors F33, F221
- Harness for open or short between injector and ECM

>> Repair open circuit or short to ground or short to power in harness or connectors.

## 7. CHECK INJECTOR

Refer to [EC-598, "Component Inspection"](#) .

OK or NG

OK >> GO TO 8.

NG >> Replace injector.

## 8. CHECK INTERMITTENT INCIDENT

Refer to [EC-137, "TROUBLE DIAGNOSIS FOR INTERMITTENT INCIDENT"](#) .

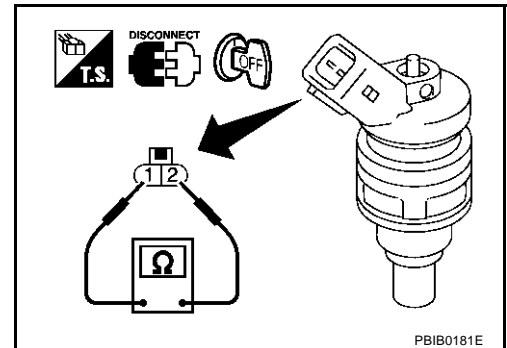
>> INSPECTION END

### Component Inspection INJECTOR

ABS00160

1. Disconnect injector harness connector.
2. Check resistance between terminals as shown in the figure.

**Resistance: 13.5 - 17.5Ω [at 20°C (68°F)]**



ABS00161

### Removal and Installation INJECTOR

Refer to [EM-34, "FUEL INJECTOR AND FUEL TUBE"](#) .

# FUEL PUMP CIRCUIT

## FUEL PUMP CIRCUIT

PPF:17042

### Description SYSTEM DESCRIPTION

ABS00165

Sensor	Input Signal to ECM	ECM Function	Actuator
Crankshaft position sensor (POS) Camshaft position sensor (PHASE)	Engine speed*	Fuel pump control	Fuel pump relay
Battery	Battery voltage*		

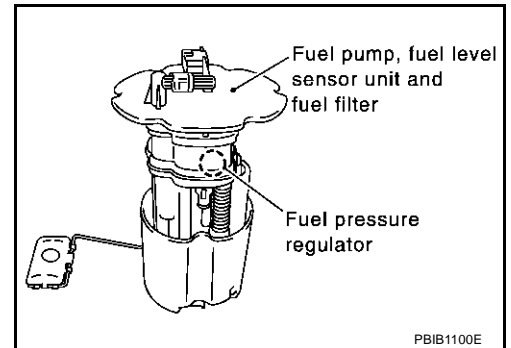
\*: ECM determines the start signal status by the signals of engine speed and battery voltage.

The ECM activates the fuel pump for several seconds after the ignition switch is turned on to improve engine startability. If the ECM receives a engine speed signal from the camshaft position sensor (PHASE), it knows that the engine is rotating, and causes the pump to operate. If the engine speed signal is not received when the ignition switch is ON, the engine stalls. The ECM stops pump operation and prevents battery discharging, thereby improving safety. The ECM does not directly drive the fuel pump. It controls the ON/OFF fuel pump relay, which in turn controls the fuel pump.

Condition	Fuel pump operation
Ignition switch is turned to ON.	Operates for 1 second.
Engine running and cranking	Operates.
When engine is stopped	Stops in 1.5 seconds.
Except as shown above	Stops.

### COMPONENT DESCRIPTION

A turbine type design fuel pump is used in the fuel tank.



### CONSULT-II Reference Value in Data Monitor Mode

ABS00166

Specification data are reference values.

MONITOR ITEM	CONDITION	SPECIFICATION
FUEL PUMP RLY	<ul style="list-style-type: none"> <li>For 1 second after turning ignition switch ON</li> <li>Engine running or cranking</li> </ul>	ON
	<ul style="list-style-type: none"> <li>Except above conditions</li> </ul>	OFF





# FUEL PUMP CIRCUIT

Specification data are reference values and are measured between each terminal and ground.

**CAUTION:**

Do not use ECM ground terminals when measuring input/output voltage. Doing so may result in damage to the ECM's transistor. Use a ground other than ECM terminals, such as the ground.

TER-MINAL NO.	WIRE COLOR	ITEM	CONDITION	DATA (DC Voltage)
113	LG/B	Fuel pump relay	<b>[Ignition switch "ON"]</b> ● For 1 second after turning ignition switch "ON"	0 - 1.5V
			<b>[Engine is running]</b> <b>[Ignition switch "ON"]</b> ● More than 1 second after turning ignition switch "ON".	BATTERY VOLTAGE (11 - 14V)

## Diagnostic Procedure

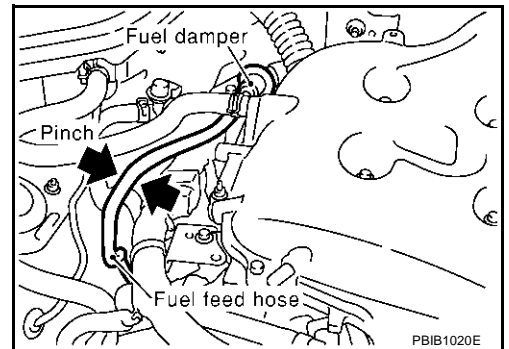
ABS00168

### 1. CHECK OVERALL FUNCTION

- Turn ignition switch "ON".
- Pinch fuel feed hose with two fingers.  
**Fuel pressure pulsation should be felt on the fuel feed hose for 1 second after ignition switch is turned "ON".**

OK or NG

- OK >> **INSPECTION END**  
 NG >> GO TO 2.



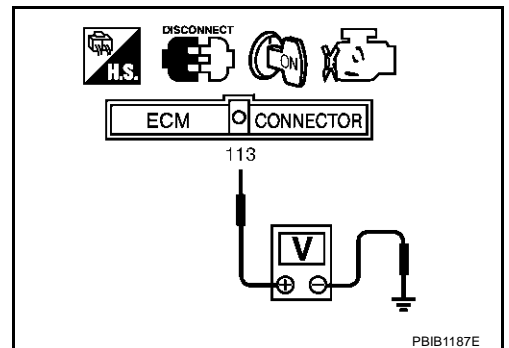
### 2. CHECK FUEL PUMP POWER SUPPLY CIRCUIT-I

- Turn ignition switch "OFF".
- Disconnect ECM harness connector.
- Turn ignition switch "ON".
- Check voltage between ECM terminal 113 and ground with CONSULT-II or tester.

**Voltage: Battery voltage**

OK or NG

- OK >> GO TO 5.  
 NG >> GO TO 3.



# FUEL PUMP CIRCUIT

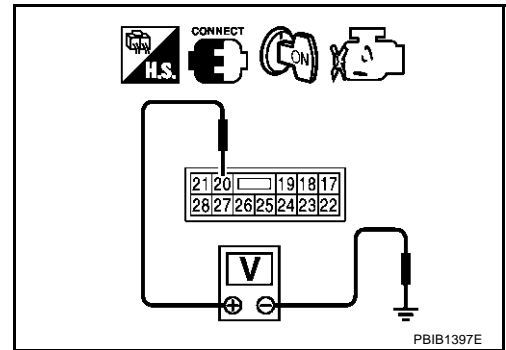
## 3. CHECK FUEL PUMP POWER SUPPLY CIRCUIT-I

Check voltage between IPDM E/R terminal 20 and ground with CONSULT-II or tester.

**Voltage: Battery voltage**

OK or NG

- OK >> GO TO 4.
- NG >> GO TO 15.



## 4. DETECT MALFUNCTIONING PART

Check the following.

- Harness connectors E108, M15
- Harness connectors M72, F102
- Harness for open or short between IPDM E/R and ECM

>> Repair harness or connectors.

## 5. CHECK CONDENSER POWER SUPPLY CIRCUIT-I

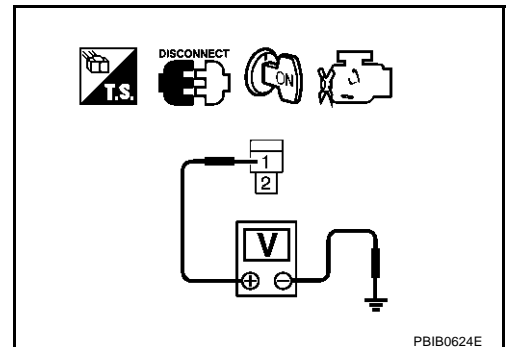
1. Turn ignition switch "OFF".
2. Reconnect all harness connectors disconnected.
3. Disconnect condenser harness connector.
4. Turn ignition switch "ON".
5. Check voltage between condenser terminal 1 and ground with CONSULT-II or tester.

**Voltage: Battery voltage should exist for 1 second after ignition switch is turned "ON".**

6. Also check harness for short to ground and short to power.

OK or NG

- OK >> GO TO 9.
- NG >> GO TO 6.



## 6. CHECK 15A FUSE

1. Turn ignition switch "OFF".
2. Disconnect 15A fuse.
3. Check 15A fuse.

OK or NG

- OK >> GO TO 7.
- NG >> Replace fuse.

# FUEL PUMP CIRCUIT

---

## 7. CHECK CONDENSER POWER SUPPLY CIRCUIT-II

---

1. Disconnect IPDM E/R harness connector E7.
2. Check harness continuity between IPDM E/R terminal 23 and condenser terminal 1.  
Refer to Wiring Diagram.

**Continuity should exist.**

3. Also check harness for short to ground and short to power.

OK or NG

- OK >> GO TO 15.  
NG >> GO TO 8.

---

## 8. DETECT MALFUNCTIONING PART

---

Check the following.

- Harness connectors E107, B3
- Harness for open or short between IPDM E/R and condenser

>> Repair harness or connectors.

---

## 9. CHECK CONDENSER GROUND CIRCUIT

---

1. Check harness continuity between condenser terminal 2 and ground.  
Refer to Wiring Diagram.

**Continuity should exist.**

2. Also check harness for short to power.

OK or NG

- OK >> GO TO 11.  
NG >> GO TO 10

---

## 10. DETECT MALFUNCTIONING PART

---

Check the following.

- Harness connectors D102, B39
- Harness connectors B43, T1
- Joint connector-6
- Harness for open or short between condenser and ground

>> Repair open circuit or short to power in harness or connectors.

---

## 11. CHECK CONDENSER

---

Refer to [EC-604, "Component Inspection"](#) .

OK or NG

- OK >> GO TO 12.  
NG >> Replace condenser.

A

EC

C

D

E

F

G

H

I

J

K

L

M

# FUEL PUMP CIRCUIT

## 12. CHECK FUEL PUMP POWER SUPPLY AND GROUND CIRCUIT FOR OPEN AND SHORT

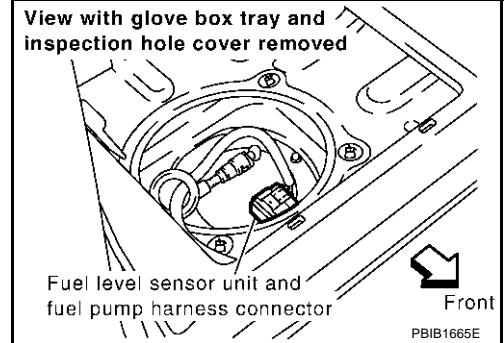
1. Turn ignition switch "OFF".
2. Disconnect "fuel level sensor unit and fuel pump" harness connector.
3. Check harness continuity between "fuel level sensor unit and fuel pump" terminal 1 and harness connector B3 terminal 4, "fuel level sensor unit and fuel pump" terminal 3 and ground. Refer to Wiring Diagram.

**Continuity should exist.**

4. Also check harness for short to ground and short to power.

OK or NG

- OK >> GO TO 14.
- NG >> GO TO 13.



## 13. DETECT MALFUNCTIONING PART

Check the following.

- Harness connector B3
- Harness connectors D102, B39
- Harness connectors B43, T1
- Joint connector-6
- Harness for open or short between fuel pump and harness connector B3
- Harness for open or short between fuel pump and ground

>> Repair open circuit or short to power in harness or connectors.

## 14. CHECK FUEL PUMP

Refer to [EC-604, "Component Inspection"](#).

OK or NG

- OK >> GO TO 15.
- NG >> Replace fuel pump.

## 15. CHECK INTERMITTENT INCIDENT

Refer to [EC-137, "TROUBLE DIAGNOSIS FOR INTERMITTENT INCIDENT"](#).

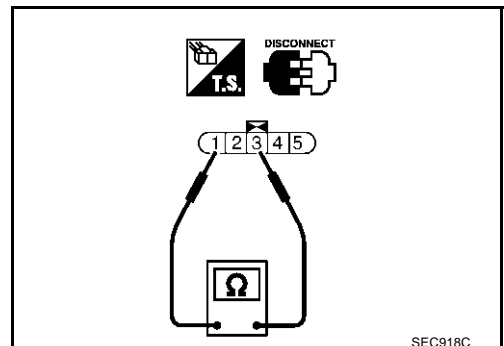
OK or NG

- OK >> Replace IPDM E/R.
- NG >> Repair or replace harness or connectors.

### Component Inspection FUEL PUMP

1. Disconnect fuel level sensor unit and fuel pump harness connector.
2. Check resistance between fuel level sensor unit and fuel pump terminals 1 and 3.

**Resistance: Approximately 1.0Ω [at 25°C (77°F)]**



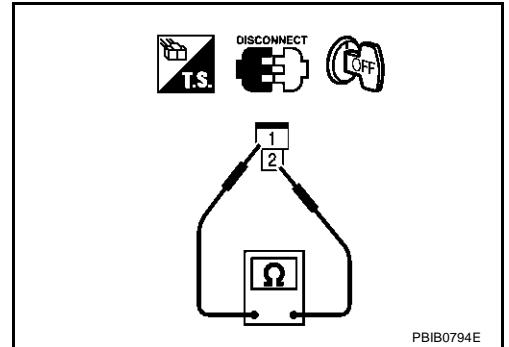
ABS00169

# FUEL PUMP CIRCUIT

## CONDENSER

1. Turn ignition switch "OFF".
2. Disconnect condenser harness connector.
3. Check resistance between condenser terminals as 1 and 2.

Resistance	Above 1 M $\Omega$ at 25°C (77°F)
------------	-----------------------------------



## Removal and Installation FUEL PUMP

Refer to [FL-5, "FUEL LEVEL SENSOR UNIT, FUEL FILTER AND FUEL PUMP ASSEMBLY"](#) .

# REFRIGERANT PRESSURE SENSOR

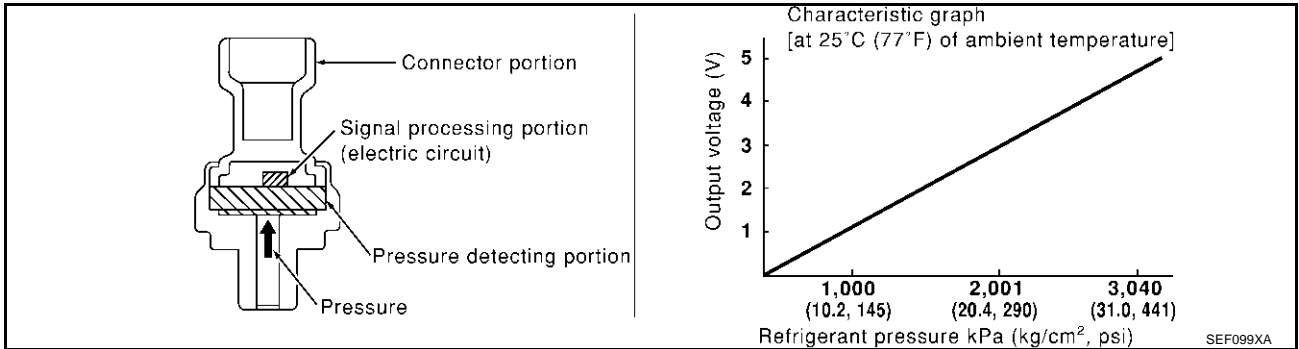
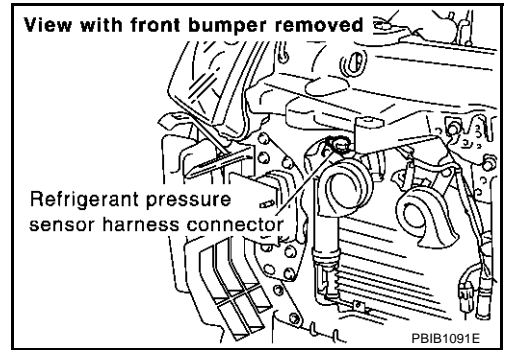
PFP:92136

## REFRIGERANT PRESSURE SENSOR

ABS0016B

### Component Description

The refrigerant pressure sensor is installed at the liquid tank of the air conditioner system. The sensor uses an electrostatic volume pressure transducer to convert refrigerant pressure to voltage. The voltage signal is sent to ECM, and ECM controls cooling fan system.



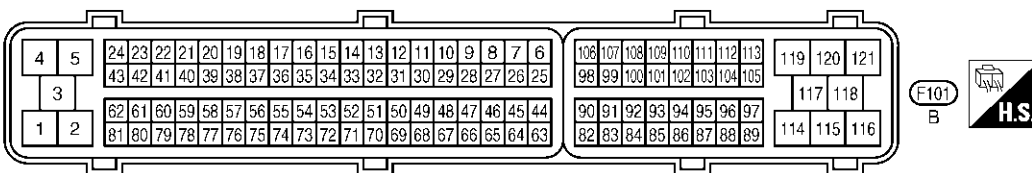
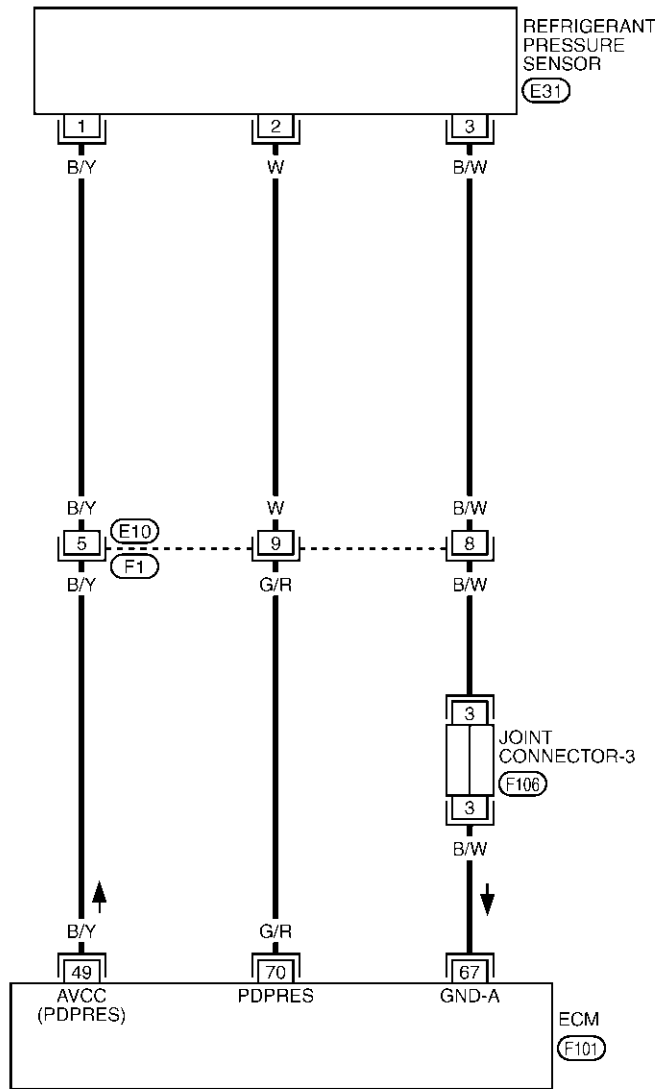
# REFRIGERANT PRESSURE SENSOR

## Wiring Diagram

ABS0016C

EC-RP/SEN-01

: DETECTABLE LINE FOR DTC  
 : NON-DETECTABLE LINE FOR DTC



TBWT0243E

# REFRIGERANT PRESSURE SENSOR

Specification data are reference values and are measured between each terminal and ground.

**CAUTION:**

Do not use ECM ground terminals when measuring input/output voltage. Doing so may result in damage to the ECM's transistor. Use a ground other than ECM terminals, such as the ground.

TER-MINAL NO.	WIRE COLOR	ITEM	CONDITION	DATA (DC Voltage)
49	B/Y	Sensors' power supply (Refrigerant pressure sensor)	[Ignition switch "ON"]	Approximately 5V
67	B/W	Sensors' ground (Mass air flow sensor / IAT sensor / Power steering pressure sensor / EVAP control system pressure sensor)	[Engine is running] ● Warm-up condition ● Idle speed	Approximately 0V
70	G/R	Refrigerant pressure sensor	[Engine is running] ● Warm-up condition ● Both A/C switch and blower switch are "ON". (Compressor operates.)	1.0 - 4.0V

## Diagnostic Procedure

ABS0016D

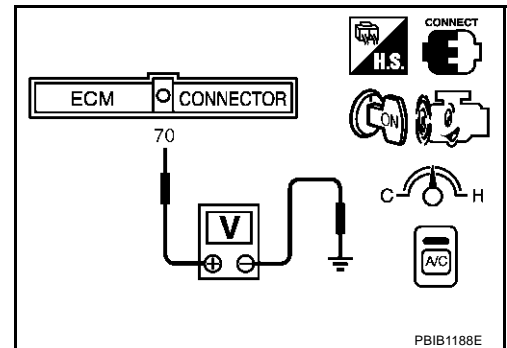
### 1. CHECK REFRIGERANT PRESSURE SENSOR OVERALL FUNCTION

1. Start engine and warm it up to normal operating temperature.
2. Turn A/C switch and blower switch "ON".
3. Check voltage between ECM terminal 70 and ground with CONSULT-II or tester.

**Voltage: 1.0 - 4.0V**

OK or NG

- OK >> **INSPECTION END**  
 NG >> GO TO 2.

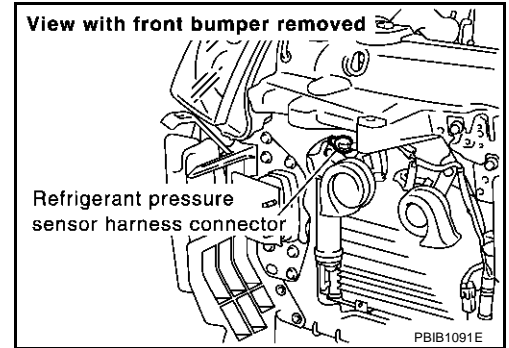




# REFRIGERANT PRESSURE SENSOR

## 2. CHECK REFRIGERANT PRESSURE SENSOR POWER SUPPLY CIRCUIT

1. Turn A/C switch and blower switch "OFF".
2. Stop engine.
3. Disconnect refrigerant pressure sensor harness connector.
4. Turn ignition switch "ON".

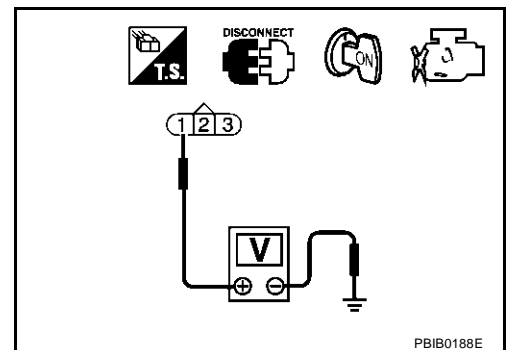


5. Check voltage between refrigerant pressure sensor terminal 1 and ground with CONSULT-II or tester.

**Voltage: Approximately 5V**

OK or NG

- OK >> GO TO 4.  
NG >> GO TO 3.



## 3. DETECT MALFUNCTIONING PART

Check the following.

- Harness connectors E10, F1
- Harness for open or short between ECM and refrigerant pressure sensor

>> Repair harness or connectors.

## 4. CHECK REFRIGERANT PRESSURE SENSOR GROUND CIRCUIT FOR OPEN AND SHORT

1. Turn ignition switch "OFF".
2. Check harness continuity between refrigerant pressure sensor terminal 3 and engine ground. Refer to Wiring Diagram.

**Continuity should exist.**

3. Also check harness for short to power.

OK or NG

- OK >> GO TO 6.  
NG >> GO TO 5.

## 5. DETECT MALFUNCTIONING PART

Check the following.

- Harness connectors E10, F1
- Joint connector-3
- Harness for open or short between ECM and refrigerant pressure sensor

>> Repair open circuit or short to ground or short to power in harness or connectors.

# REFRIGERANT PRESSURE SENSOR

---

## 6. CHECK REFRIGERANT PRESSURE SENSOR INPUT SIGNAL CIRCUIT FOR OPEN AND SHORT

---

1. Disconnect ECM harness connector.
2. Check harness continuity between ECM terminal 70 and refrigerant pressure sensor terminal 2.  
Refer to Wiring Diagram.

**Continuity should exist.**

3. Also check harness for short to ground and short to power.

OK or NG

- OK >> GO TO 8.  
NG >> GO TO 7.

---

## 7. DETECT MALFUNCTIONING PART

---

Check the following.

- Harness connectors E10, F1
- Harness for open or short between ECM and refrigerant pressure sensor

>> Repair open circuit or short to ground or short to power in harness or connectors.

---

## 8. CHECK INTERMITTENT INCIDENT

---

Refer to [EC-137, "TROUBLE DIAGNOSIS FOR INTERMITTENT INCIDENT"](#) .

OK or NG

- OK >> Replace refrigerant pressure sensor.  
NG >> Repair or replace.

### **Removal and Installation** **REFRIGERANT PRESSURE SENSOR**

ABS0016E

Refer to [ATC-148, "Removal and Installation of Refrigerant Pressure Sensor"](#) .

# ELECTRICAL LOAD SIGNAL

## ELECTRICAL LOAD SIGNAL

PPF:25350

### Description

ABS0016F

The electrical load signal (Headlamp switch signal, rear window defogger switch signal, etc.) is transferred through the CAN communication line from BCM to ECM via IPDM E/R.

### CONSULT-II Reference Value in Data Monitor Mode

ABS0016G

Specification data are reference values.

MONITOR ITEM	CONDITION		SPECIFICATION
LOAD SIGNAL	● Ignition switch: ON	Rear window defogger switch is ON and/or lighting switch is in 2nd.	ON
		Rear window defogger switch is OFF and lighting switch is OFF.	OFF

### Diagnostic Procedure

ABS0016H

#### 1. CHECK LOAD SIGNAL CIRCUIT OVERALL FUNCTION-I

- Turn ignition switch "ON".
- Connect CONSULT-II and select "DATA MONITOR" mode.
- Select "LOAD SIGNAL" and check indication under the following conditions.

Condition	Indication
Rear window defogger switch "ON"	ON
Rear window defogger switch "OFF"	OFF

#### OK or NG

- OK >> GO TO 2.  
 NG >> GO TO 3.

DATA MONITOR	
MONITORING	NO DTC
LOAD SIGNAL	ON

PBIB0103E

#### 2. CHECK LOAD SIGNAL CIRCUIT OVERALL FUNCTION-II

Check "LOAD SIGNAL" indication under the following conditions.

Condition	Indication
Lighting switch "ON" at 2nd position	ON
Lighting switch "OFF"	OFF

#### OK or NG

- OK >> **INSPECTION END**  
 NG >> GO TO 4.

DATA MONITOR	
MONITORING	NO DTC
LOAD SIGNAL	ON

PBIB0103E

#### 3. CHECK REAR WINDOW DEFOGGER SYSTEM

Refer to [GW-57, "REAR WINDOW DEFOGGER"](#) .

>> **INSPECTION END**

#### 4. CHECK HEADLAMP SYSTEM

Refer to [LT-7, "HEADLAMP \(FOR USA\) - XENON TYPE -"](#) , [LT-37, "HEADLAMP \(FOR USA\) - CONVENTIONAL TYPE -"](#) , [LT-66, "HEADLAMP \(FOR CANADA\) - XENON TYPE -"](#) or [LT-101, "HEADLAMP \(FOR CANADA\) - CONVENTIONAL TYPE -"](#) .

>> **INSPECTION END**

# ASCD BRAKE SWITCH

PFP:25320

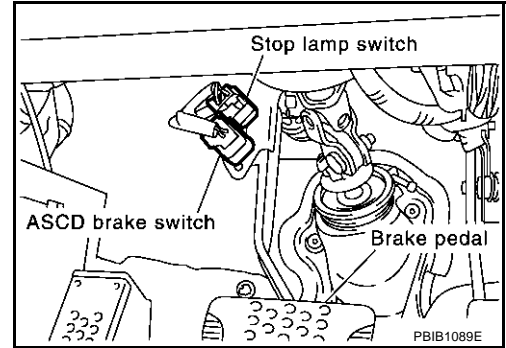
## ASCD BRAKE SWITCH

### Component Description

ABS0016I

When the brake pedal is depressed, ASCD brake switch is turned OFF and stop lamp switch is turned ON. ECM detects the state of the brake pedal by this input of two kinds (ON/OFF signal).

Refer to [EC-647, "AUTOMATIC SPEED CONTROL DEVICE \(ASCD\)"](#) for the ASCD function.



### CONSULT-II Reference Value in Data Monitor Mode

ABS0016J

Specification data are reference values.

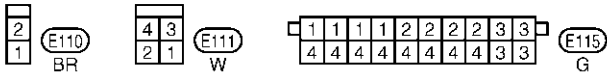
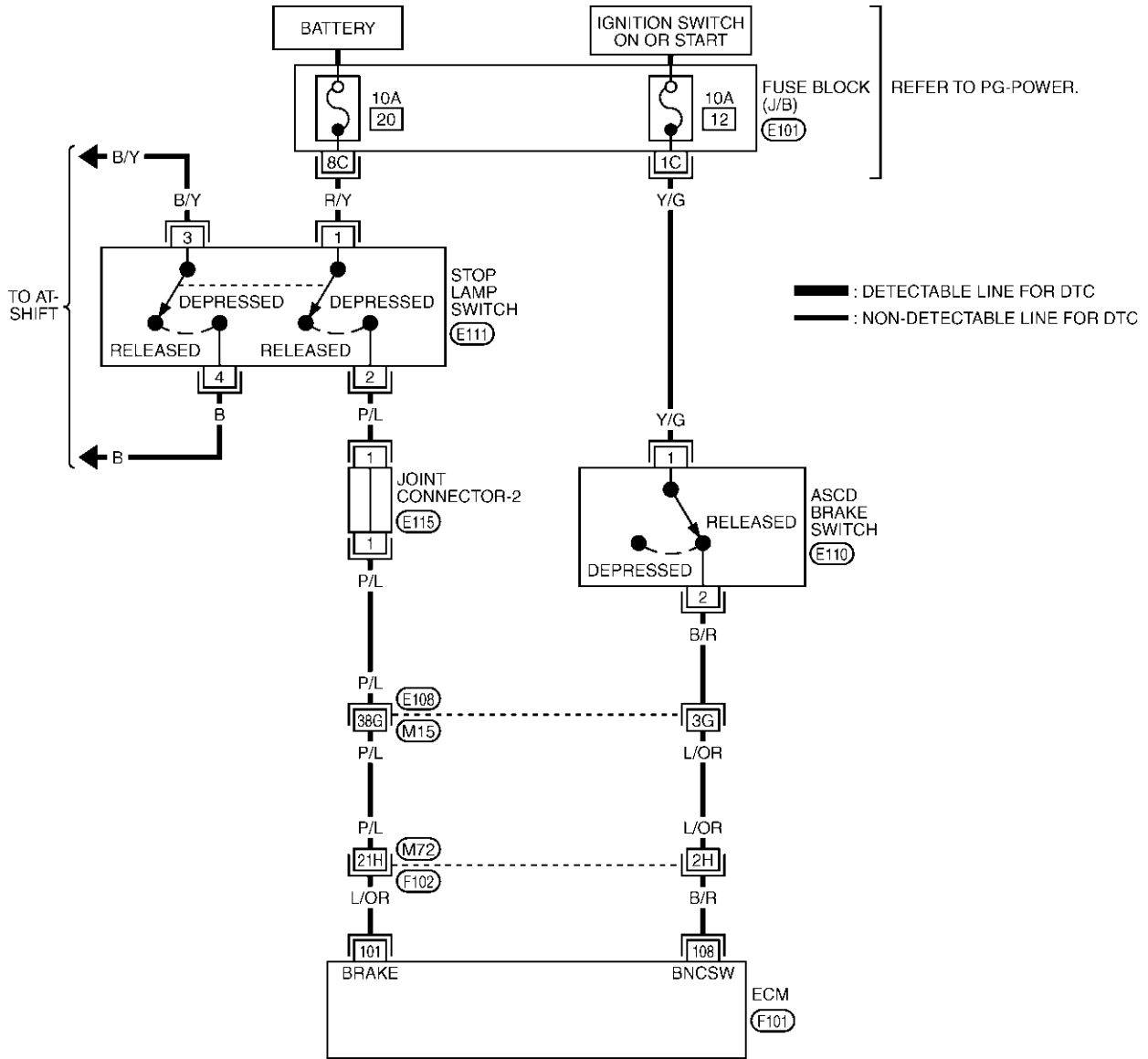
MONITOR ITEM	CONDITION		SPECIFICATION
BRAKE SW 1 (ASCD brake switch)	● Ignition switch: ON	● Clutch pedal (M/T) and brake pedal: Fully released	ON
		● Clutch pedal (M/T) and/or brake pedal: Slightly depressed	OFF
BRAKE SW 2 (stop lamp switch)	● Ignition switch: ON	● Brake pedal fully released	OFF
		● Brake pedal depressed	ON

# ASC D BRAKE SWITCH

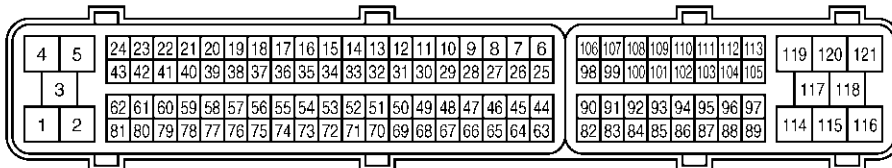
ABS00303

## Wiring Diagram A/T MODELS

### EC-ASCBOF-01



REFER TO THE FOLLOWING.  
 (E108), (F102) -SUPER MULTIPLE JUNCTION (SMJ)  
 (E101) -FUSE BLOCK-JUNCTION BOX (J/B)



## ASCD BRAKE SWITCH

Specification data are reference values and are measured between each terminal and ground.

**CAUTION:**

**Do not use ECM ground terminals when measuring input/output voltage. Doing so may result in damage to the ECM's transistor. Use a ground other than ECM terminals, such as the ground.**

TER-MINAL NO.	WIRE COLOR	ITEM	CONDITION	DATA (DC Voltage)
101	L/OR	Stop lamp switch	<b>[Ignition switch "ON"]</b> ● Brake pedal is fully released	Approximately 0V
			<b>[Ignition switch "ON"]</b> ● Brake pedal is depressed	BATTERY VOLTAGE (11 - 14V)
108	B/R	ASCD brake switch	<b>[Ignition switch "ON"]</b> ● Brake pedal is depressed	Approximately 0V
			<b>[Ignition switch "ON"]</b> ● Brake pedal is fully released	BATTERY VOLTAGE (11 - 14V)



# ASCD BRAKE SWITCH

Specification data are reference values and are measured between each terminal and ground.

**CAUTION:**

**Do not use ECM ground terminals when measuring input/output voltage. Doing so may result in damage to the ECM's transistor. Use a ground other than ECM terminals, such as the ground.**

TER-MINAL NO.	WIRE COLOR	ITEM	CONDITION	DATA (DC Voltage)
101	L/OR	Stop lamp switch	[Ignition switch "ON"] ● Brake pedal is fully released	Approximately 0V
			[Ignition switch "ON"] ● Brake pedal is depressed	BATTERY VOLTAGE (11 - 14V)
108	B/R	ASCD brake switch	[Ignition switch "ON"] ● Brake pedal and/or clutch pedal are depressed	Approximately 0V
			[Ignition switch "ON"] ● Brake pedal and clutch pedal are fully released	BATTERY VOLTAGE (11 - 14V)

## Diagnostic Procedure

ABS0016L

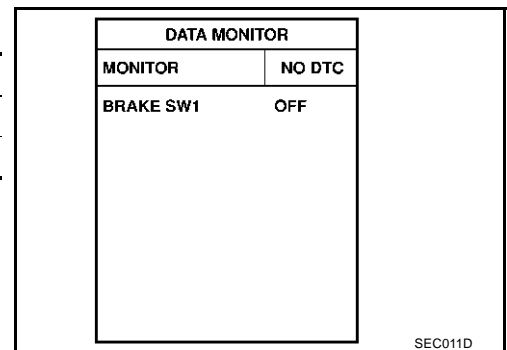
### A/T MODELS

#### 1. CHECK OVERALL FUNCTION-I

 **With CONSULT-II**

1. Turn ignition switch "ON".
2. Select "BRAKE SW1" in "DATA MONITOR" mode with CONSULT-II.
3. Check "BRAKE SW1" indication under the following conditions.

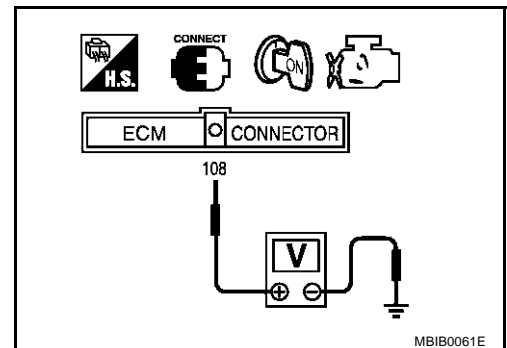
CONDITION	INDICATION
When brake pedal is depressed	OFF
When brake pedal is fully released	ON



 **Without CONSULT-II**

1. Turn ignition switch "ON".
2. Check voltage between ECM terminal 108 and ground under the following conditions.

CONDITION	VOLTAGE
When brake pedal is depressed	Approximately 0V
When brake pedal is fully released	Battery voltage



OK or NG

- OK >> GO TO 2.
- NG >> GO TO 3.



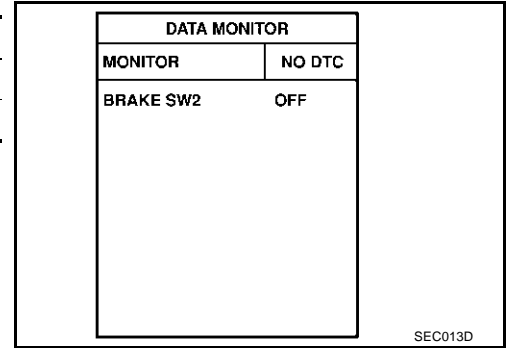
# ASCD BRAKE SWITCH

## 2. CHECK OVERALL FUNCTION-II

### With CONSULT-II

Check "BRAKE SW2" indication in "DATA MONITOR" mode.

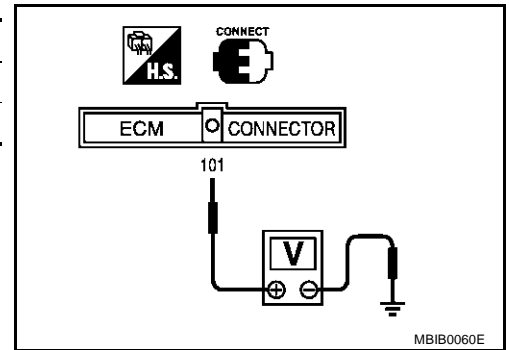
CONDITION	INDICATION
When brake pedal is released	OFF
When brake pedal is depressed	ON



### Without CONSULT-II

Check voltage between ECM terminal 101 and ground under the following conditions.

CONDITION	VOLTAGE
When brake pedal is released	Approximately 0V
When brake pedal is depressed	Battery voltage



### OK or NG

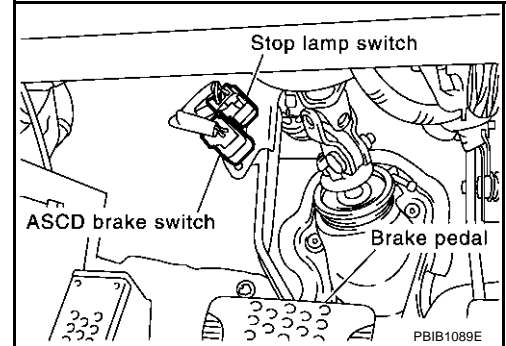
- OK >> **INSPECTION END**
- NG >> **GO TO 8.**

A  
EC  
C  
D  
E  
F  
G  
H  
I  
J  
K  
L  
M

# ASCD BRAKE SWITCH

## 3. CHECK ASCD BRAKE SWITCH POWER SUPPLY CIRCUIT

1. Turn ignition switch "OFF".
2. Disconnect ASCD brake switch harness connector.
3. Turn ignition switch "ON".

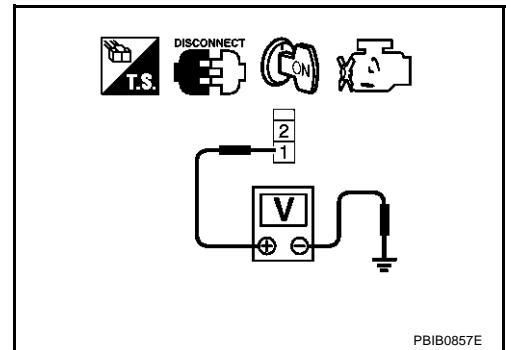


4. Check voltage between ASCD brake switch terminal 1 and ground with CONSULT-II or tester.

**Voltage: Battery voltage**

OK or NG

- OK >> GO TO 5.
- NG >> GO TO 4.



## 4. DETECT MALFUNCTIONING PART

Check the following.

- Fuse block (J/B) connector E101
- 10A fuse
- Harness for open or short between ASCD brake switch and fuse

>> Repair open circuit or short to ground or short to power in harness or connectors.

## 5. CHECK ASCD BRAKE SWITCH INPUT SIGNAL CIRCUIT FOR OPEN AND SHORT

1. Turn ignition switch "OFF".
2. Disconnect ECM harness connector.
3. Check harness continuity between ECM terminal 108 and ASCD brake switch terminal 2. Refer to Wiring Diagram.

**Continuity should exist.**

4. Also check harness for short to ground or short to power.

OK or NG

- OK >> GO TO 7.
- NG >> GO TO 6.

# ASCD BRAKE SWITCH

## 6. DETECT MALFUNCTIONING PART

Check the following.

- Harness connectors E108, M15
- Harness connectors M72, F102
- Harness for open or short between ECM and ASCD brake switch

>> Repair open circuit or short to ground or short to power in harness or connectors.

## 7. CHECK ASCD BRAKE SWITCH

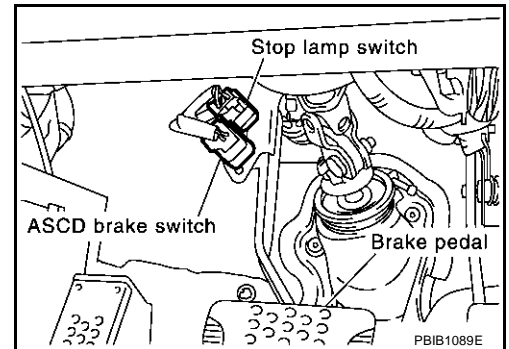
Refer to [EC-534, "Component Inspection"](#)

OK or NG

- OK >> GO TO 13.
- NG >> Replace ASCD brake switch.

## 8. CHECK STOP LAMP SWITCH POWER SUPPLY CIRCUIT

1. Turn ignition switch "OFF".
2. Disconnect stop lamp switch harness connector.

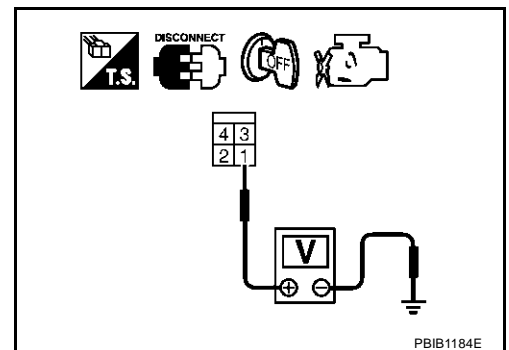


3. Check voltage between stop lamp switch terminal 1 and ground with CONSULT -II or tester.

**Voltage: Battery voltage**

OK or NG

- OK >> GO TO 10.
- NG >> GO TO 9.



## 9. DETECT MALFUNCTIONING PART

Check the following.

- Fuse block (J/B) connector E101
- 10A fuse
- Harness for open or short between stop lamp switch and fuse

>> Repair open circuit or short to ground or short to power in harness or connectors.

# ASCD BRAKE SWITCH

---

## 10. CHECK STOP LAMP SWITCH INPUT SIGNAL CIRCUIT FOR OPEN AND SHORT

---

1. Disconnect ECM harness connector.
2. Check harness continuity between ECM terminal 101 and stop lamp switch terminal 2.  
Refer to Wiring Diagram.

**Continuity should exist.**

3. Also check harness for short to ground and short to power.

OK or NG

- OK >> GO TO 12.  
NG >> GO TO 11.

---

## 11. DETECT MALFUNCTIONING PART

---

Check the following.

- Harness connectors E108, M15
- Harness connectors M72, F102
- Joint connector-2
- Harness for open or short between ECM and stop lamp switch

>> Repair open circuit or short to ground or short to power in harness or connectors.

---

## 12. CHECK STOP LAMP SWITCH

---

Refer to [EC-534, "Component Inspection"](#)

OK or NG

- OK >> GO TO 13.  
NG >> Replace stop lamp switch.

---

## 13. CHECK INTERMITTENT INCIDENT

---

Refer to [EC-137, "TROUBLE DIAGNOSIS FOR INTERMITTENT INCIDENT"](#) .

>> **INSPECTION END**

# ASCD BRAKE SWITCH

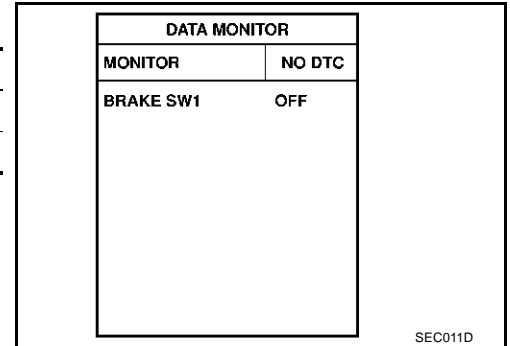
## M/T MODELS

### 1. CHECK OVERALL FUNCTION-I

#### ④ With CONSULT-II

1. Turn ignition switch "ON".
2. Select "BRAKE SW1" in "DATA MONITOR" mode with CONSULT-II.
3. Check "BRAKE SW1" indication under the following conditions.

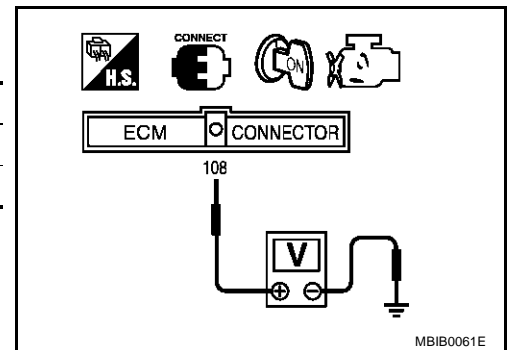
CONDITION	INDICATION
When brake pedal and/or clutch pedal are depressed	OFF
When brake pedal and clutch pedal are fully released	ON



#### ⊗ Without CONSULT-II

1. Turn ignition switch "ON".
2. Check voltage between ECM terminal 108 and ground under the following conditions.

CONDITION	VOLTAGE
When brake pedal and/or clutch pedal are depressed	Approximately 0V
When brake pedal and clutch pedal are fully released	Battery voltage



#### OK or NG

- OK >> GO TO 2.  
 NG >> GO TO 3.

A  
 EC  
 C  
 D  
 E  
 F  
 G  
 H  
 I  
 J  
 K  
 L  
 M

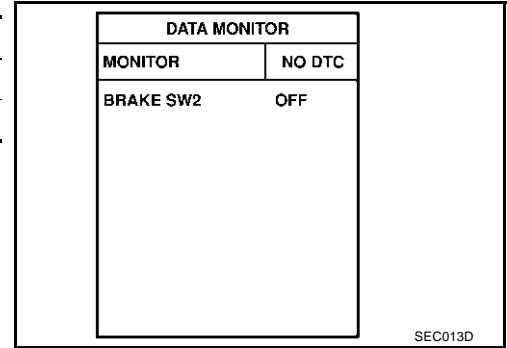
# ASCD BRAKE SWITCH

## 2. CHECK OVERALL FUNCTION-II

### With CONSULT-II

Check "BRAKE SW2" indication in "DATA MONITOR" mode.

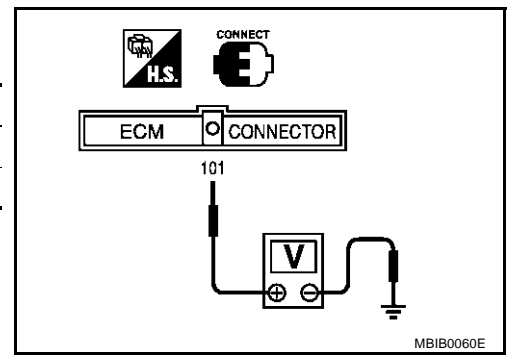
CONDITION	INDICATION
When brake pedal is released	OFF
When brake pedal is depressed	ON



### Without CONSULT-II

Check voltage between ECM terminal 101 and ground under the following conditions.

CONDITION	VOLTAGE
When brake pedal is released	Approximately 0V
When brake pedal is depressed	Battery voltage

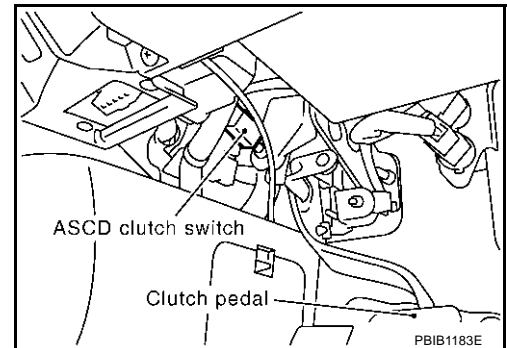


OK or NG

- OK >> **INSPECTION END**
- NG >> GO TO 11.

## 3. CHECK ASCD BRAKE SWITCH CIRCUIT

1. Turn ignition switch "OFF".
2. Disconnect ASCD clutch switch harness connector.
3. Turn ignition switch "ON".

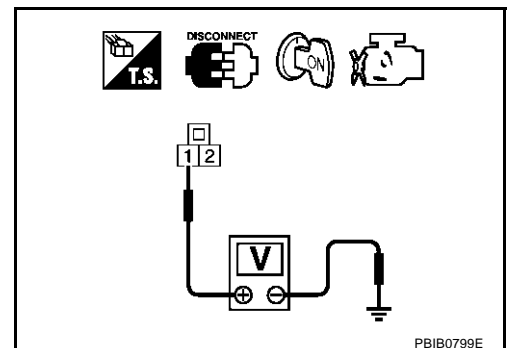


4. Check voltage between ASCD clutch switch terminal 1 and ground with CONSULT-II or tester.

**Voltage: Battery voltage**

OK or NG

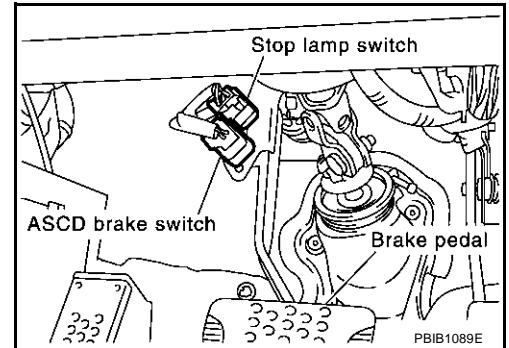
- OK >> GO TO 8.
- NG >> GO TO 4.



# ASCD BRAKE SWITCH

## 4. CHECK ASCD BRAKE SWITCH POWER SUPPLY CIRCUIT

1. Turn ignition switch "OFF".
2. Disconnect ASCD brake switch harness connector.
3. Turn ignition switch "ON".

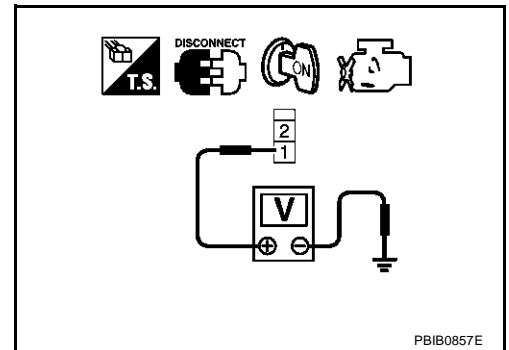


4. Check voltage between ASCD brake switch terminal 1 and ground with CONSULT-II or tester.

**Voltage: Battery voltage**

OK or NG

- OK >> GO TO 6.
- NG >> GO TO 5.



## 5. DETECT MALFUNCTIONING PART

Check the following.

- Fuse block (J/B) connector E101
- 10A fuse
- Harness for open or short between ASCD brake switch and fuse

>> Repair open circuit or short to ground or short to power in harness or connectors.

## 6. CHECK ASCD BRAKE SWITCH INPUT SIGNAL CIRCUIT FOR OPEN AND SHORT

1. Turn ignition switch "OFF".
2. Check harness continuity between ASCD brake switch terminal 2 and ASCD clutch switch terminal 1. Refer to Wiring Diagram.

**Continuity should exist.**

3. Also check harness for short to ground or short to power.

OK or NG

- OK >> GO TO 7.
- NG >> Repair open circuit or short to ground or short to power in harness or connectors.

## 7. CHECK ASCD BRAKE SWITCH

Refer to [EC-534, "Component Inspection"](#)

OK or NG

- OK >> GO TO 16.
- NG >> Replace ASCD brake switch.

# ASCD BRAKE SWITCH

## 8. CHECK ASCD CLUTCH SWITCH INPUT SIGNAL CIRCUIT FOR OPEN AND SHORT

1. Turn ignition switch "OFF".
2. Disconnect ECM harness connector.
3. Check harness continuity between ASCD clutch switch terminal 2 and ECM terminal 108.  
Refer to Wiring Diagram.

**Continuity should exist.**

4. Also check harness for short to ground or short to power.

OK or NG

- OK >> GO TO 10.  
NG >> GO TO 9.

## 9. DETECT MALFUNCTIONING PART

Check the following.

- Harness connectors E108, M15
- Harness connectors M72, F102
- Harness for open or short between ECM and ASCD clutch switch

>> Repair open circuit or short to ground or short to power in harness or connectors.

## 10. CHECK ASCD CLUTCH SWITCH

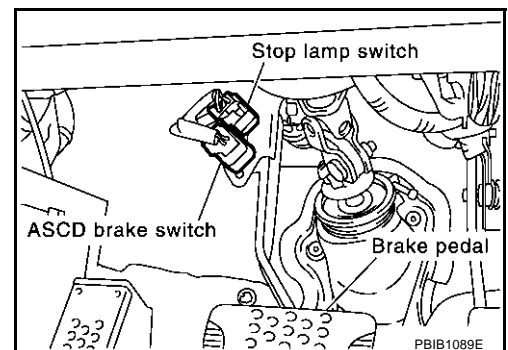
Refer to [EC-534, "Component Inspection"](#).

OK or NG

- OK >> GO TO 16.  
NG >> Replace ASCD clutch switch.

## 11. CHECK STOP LAMP SWITCH POWER SUPPLY CIRCUIT

1. Turn ignition switch "OFF".
2. Disconnect stop lamp switch harness connector.

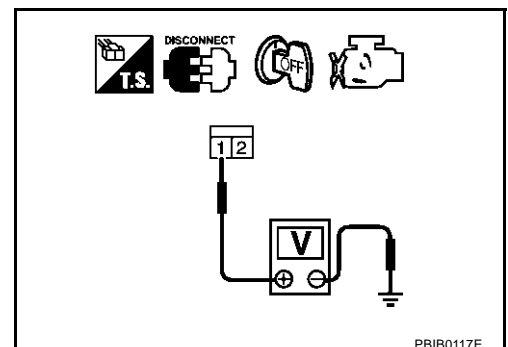


3. Check voltage between stop lamp switch terminal 1 and ground with CONSULT-II or tester.

**Voltage: Battery voltage**

OK or NG

- OK >> GO TO 13.  
NG >> GO TO 12.





# ASCD BRAKE SWITCH

---

## 12. DETECT MALFUNCTIONING PART

---

Check the following.

- Fuse block (J/B) connector E101
- 10A fuse
- Harness for open or short between stop lamp switch and fuse

>> Repair open circuit or short to ground or short to power in harness or connectors.

---

## 13. CHECK STOP LAMP SWITCH INPUT SIGNAL CIRCUIT FOR OPEN AND SHORT

---

1. Disconnect ECM harness connector.
2. Check harness continuity between ECM terminal 101 and stop lamp switch terminal 2.  
Refer to Wiring Diagram.

**Continuity should exist.**

3. Also check harness for short to ground and short to power.

OK or NG

- |    |              |
|----|--------------|
| OK | >> GO TO 15. |
| NG | >> GO TO 14. |

---

## 14. DETECT MALFUNCTIONING PART

---

Check the following.

- Harness connectors E108, M15
- Harness connectors M72, F102
- Joint connector-2
- Harness for open or short between ECM and stop lamp switch

>> Repair open circuit or short to ground or short to power in harness or connectors.

---

## 15. CHECK STOP LAMP SWITCH

---

Refer to [EC-534, "Component Inspection"](#)

OK or NG

- |    |                              |
|----|------------------------------|
| OK | >> GO TO 16.                 |
| NG | >> Replace stop lamp switch. |

---

## 16. CHECK INTERMITTENT INCIDENT

---

Refer to [EC-137, "TROUBLE DIAGNOSIS FOR INTERMITTENT INCIDENT"](#) .

>> **INSPECTION END**

A

EC

C

D

E

F

G

H

I

J

K

L

M

# ASCD BRAKE SWITCH

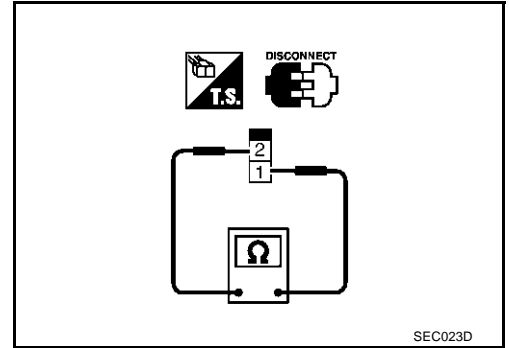
ABS00304

## Component Inspection ASCD BRAKE SWITCH

1. Turn ignition switch "OFF".
2. Disconnect ASCD brake switch harness connector.
3. Check harness continuity between ASCD brake switch terminals 1 and 2 under the following conditions.

Condition	Continuity
When brake pedal is fully released.	Should exist.
When brake pedal is depressed.	Should not exist.

If NG, adjust ASCD brake switch installation, refer to [BR-6](#), "[BRAKE PEDAL](#)", and perform step 3 again.

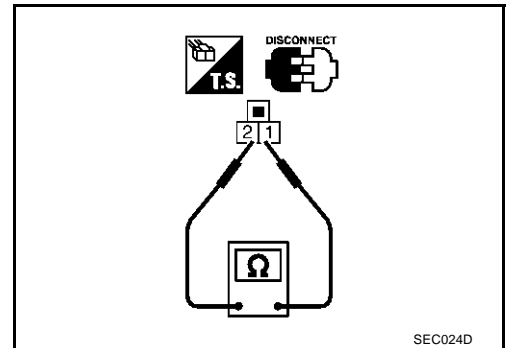


## ASCD CLUTCH SWITCH

1. Turn ignition switch "OFF".
2. Disconnect ASCD clutch switch harness connector.
3. Check harness continuity between ASCD clutch switch terminals 1 and 2 under the following conditions.

Condition	Continuity
When clutch pedal is fully released.	Should exist.
When clutch pedal is depressed.	Should not exist.

If NG, adjust ASCD clutch switch installation, refer to [CL-5](#), "[CLUTCH PEDAL](#)", and perform step 3 again.

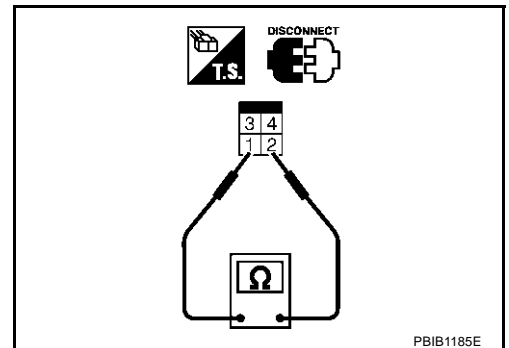


## STOP LAMP SWITCH (FOR A/T MODELS)

1. Turn ignition switch "OFF".
2. Disconnect stop lamp switch harness connector.
3. Check harness continuity between stop lamp switch terminals 1 and 2 under the following conditions.

Condition	Continuity
When brake pedal is fully released.	Should not exist.
When brake pedal is depressed.	Should exist.

If NG, adjust stop lamp switch installation, refer to [BR-6](#), "[BRAKE PEDAL](#)", and perform step 3 again.



## STOP LAMP SWITCH (FOR M/T MODELS)

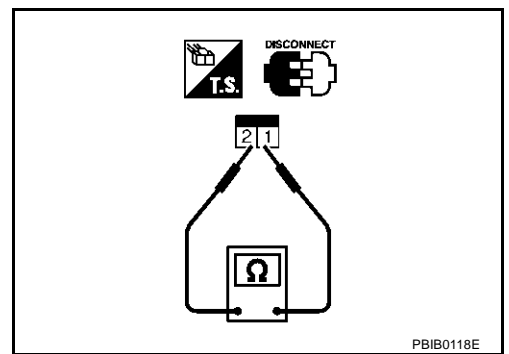
1. Turn ignition switch "OFF".
2. Disconnect stop lamp switch harness connector.

# ASCD BRAKE SWITCH

3. Check harness continuity between stop lamp switch terminals 1 and 2 under the following conditions.

Condition	Continuity
When brake pedal is fully released.	Should not exist.
When brake pedal is depressed.	Should exist.

If NG, adjust stop lamp switch installation, refer to [BR-6](#), "[BRAKE PEDAL](#)", and perform step 3 again.



A  
EC  
C  
D  
E  
F  
G  
H  
I  
J  
K  
L  
M

# ASC D INDICATOR

## ASC D INDICATOR

PFP:24814

### Component Description

ABS0016M

ASC D indicator lamp illuminates to indicate ASC D operation status. Lamp has two indicators, CRUISE and SET, and is integrated in combination meter.

CRUISE indicator illuminates when CRUISE switch on ASC D steering switch is turned ON to indicated that ASC D system is ready for operation.

SET indicator illuminates when following conditions are met.

- CRUISE indicator is illuminated.
- SET switch on ASC D steering switch is turned ON while vehicle speed is within the range of ASC D setting.

SET indicator remains lit during ASC D control.

Refer to [EC-647, "AUTOMATIC SPEED CONTROL DEVICE \(ASC D\)"](#) for the ASC D function.

### CONSULT-II Reference Value in Data Monitor Mode

ABS0016N

Specification data are reference value.

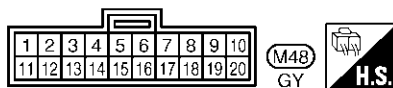
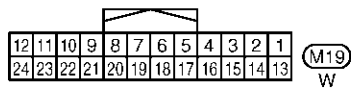
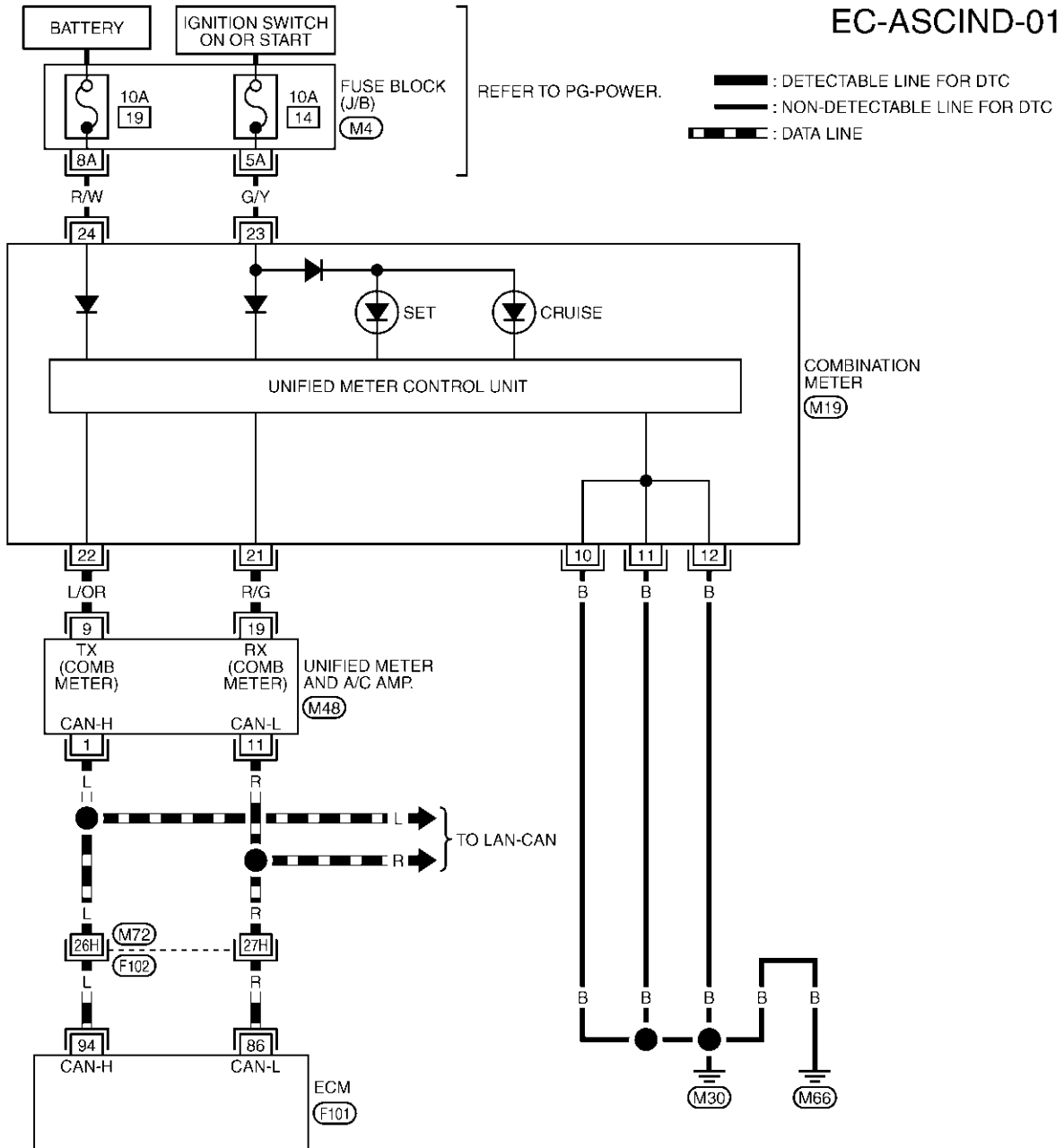
MONITOR ITEM	CONDITION		SPECIFICATION
CRUISE LAMP	● Ignition switch: ON	● CRUISE switch pressed	ON
		● CRUISE switch released	OFF
SET LAMP	● CRUISE switch: ON ● When vehicle speed is between 40 km/h (25 MPH) and 144 km/h (89 MPH)	● COAST/SET switch pressed	ON
		● COAST/SET switch released	OFF

# ASC D INDICATOR

ABS00160

## EC-ASCIND-01

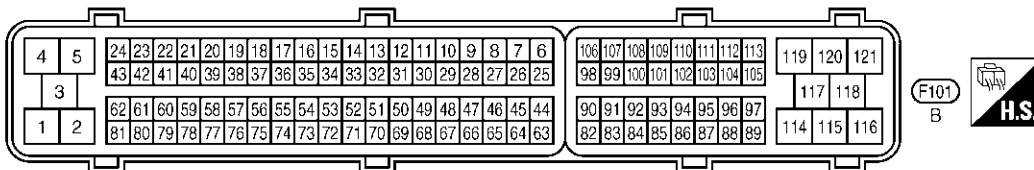
### Wiring Diagram



REFER TO THE FOLLOWING.

(F102) -SUPER MULTIPLE JUNCTION (SMJ)

(M4) -FUSE BLOCK-JUNCTION BOX (J/B)



TBWT0246E

# ASCD INDICATOR

ABS0016P

## Diagnostic Procedure

### 1. CHECK OVERALL FUNCTION

Check ASCD indicator under the following conditions.

ASCD INDICATOR	CONDITION		SPECIFICATION
CRUISE LAMP	● Ignition switch: ON	● CRUISE switch pressed	ON
		● CRUISE switch released	OFF
SET LAMP	● CRUISE switch: ON	● COAST/SET switch pressed	ON
	● When vehicle speed is between 40 km/h (25 MPH) and 144 km/h (89 MPH)	● COAST/SET switch released	OFF

OK or NG

OK >> **INSPECTION END**

NG >> GO TO 2.

### 2. CHECK DTC

Check that DTC U1000 or U1001 is not displayed.

OK or NG

OK >> GO TO 3.

NG >> Perform trouble diagnoses for DTC U1000, U1001. Refer to [EC-145, "DTC U1000, U1001 CAN COMMUNICATION LINE"](#).

### 3. CHECK DTC WITH UNIFIED METER AND A/C AMP.

Refer to [DI-65, "SELF-DIAGNOSIS RESULTS"](#).

OK or NG

OK >> GO TO 4.

NG >> Go to [DI-22, "Communication Line Inspection"](#).

### 4. CHECK INTERMITTENT INCIDENT

Refer to [EC-137, "TROUBLE DIAGNOSIS FOR INTERMITTENT INCIDENT"](#).

>> **INSPECTION END**

# MIL AND DATA LINK CONNECTOR

PPF:24814

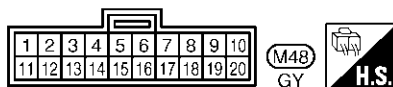
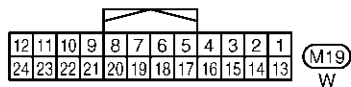
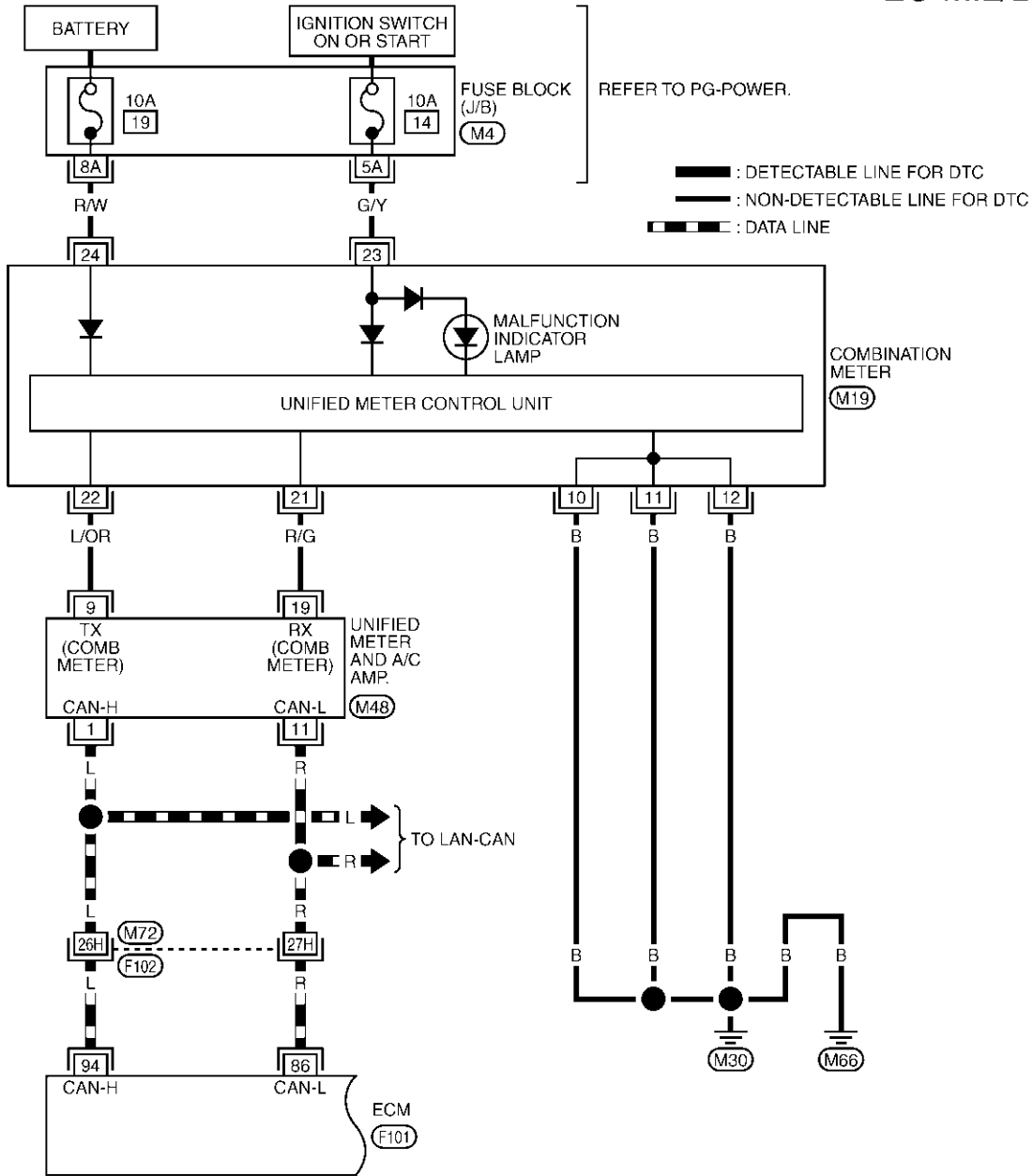
## MIL AND DATA LINK CONNECTOR

### Wiring Diagram

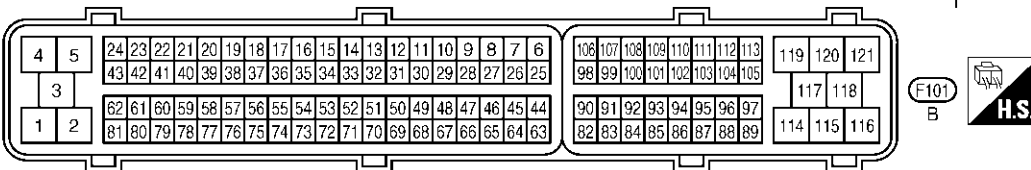
ABS0016Q

## EC-MIL/DL-01

A  
EC  
C  
D  
E  
F  
G  
H  
I  
J  
K  
L  
M



REFER TO THE FOLLOWING.  
 (F102) -SUPER MULTIPLE JUNCTION (SMJ)  
 (M4) -FUSE BLOCK-JUNCTION BOX (J/B)



TBWT0224E





# EVAPORATIVE EMISSION SYSTEM

## EVAPORATIVE EMISSION SYSTEM

PPF:14950

### Description SYSTEM DESCRIPTION

ABS0016R

A

EC

C

D

E

F

G

H

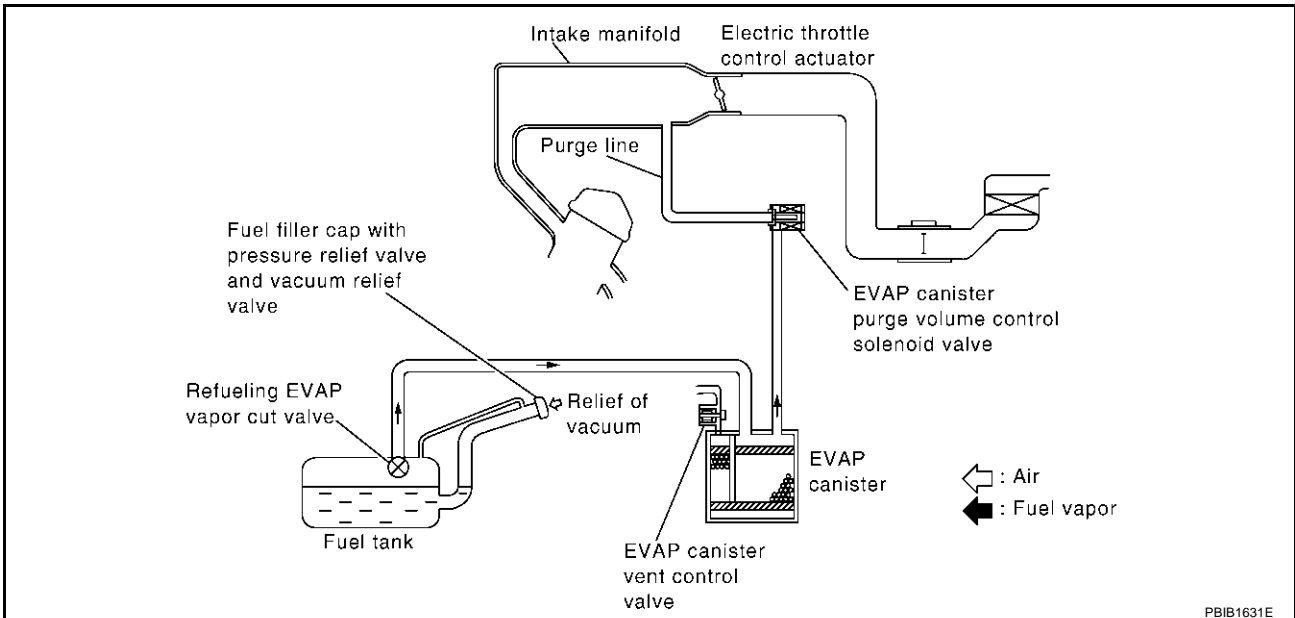
I

J

K

L

M



The evaporative emission system is used to reduce hydrocarbons emitted into the atmosphere from the fuel system. This reduction of hydrocarbons is accomplished by activated charcoals in the EVAP canister.

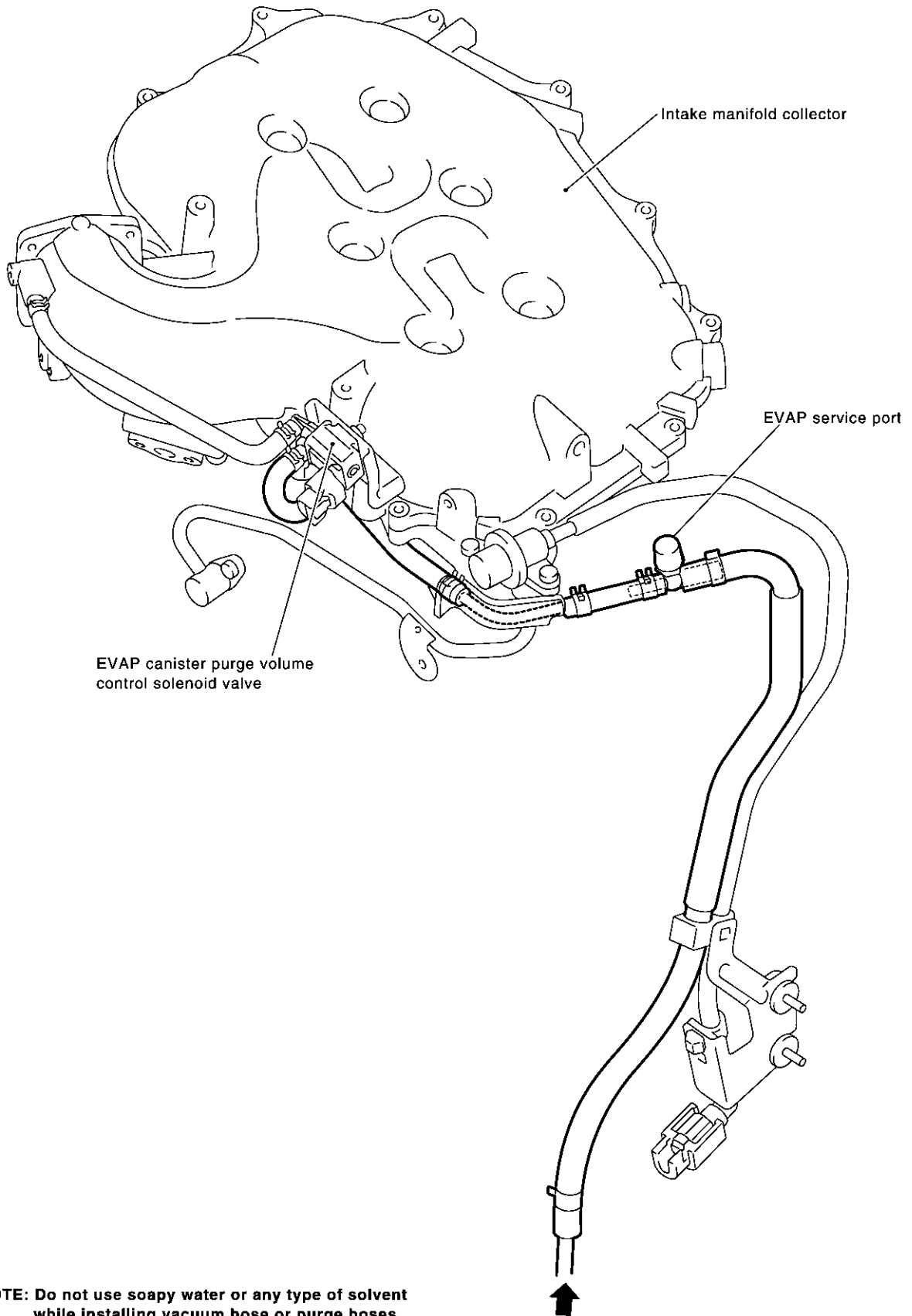
The fuel vapor in the sealed fuel tank is led into the EVAP canister which contains activated carbon and the vapor is stored there when the engine is not operating or when refueling to the fuel tank.

The vapor in the EVAP canister is purged by the air through the purge line to the intake manifold when the engine is operating. EVAP canister purge volume control solenoid valve is controlled by ECM. When the engine operates, the flow rate of vapor controlled by EVAP canister purge volume control solenoid valve is proportionally regulated as the air flow increases.

EVAP canister purge volume control solenoid valve also shuts off the vapor purge line during decelerating and idling.

# EVAPORATIVE EMISSION SYSTEM

## EVAPORATIVE EMISSION LINE DRAWING



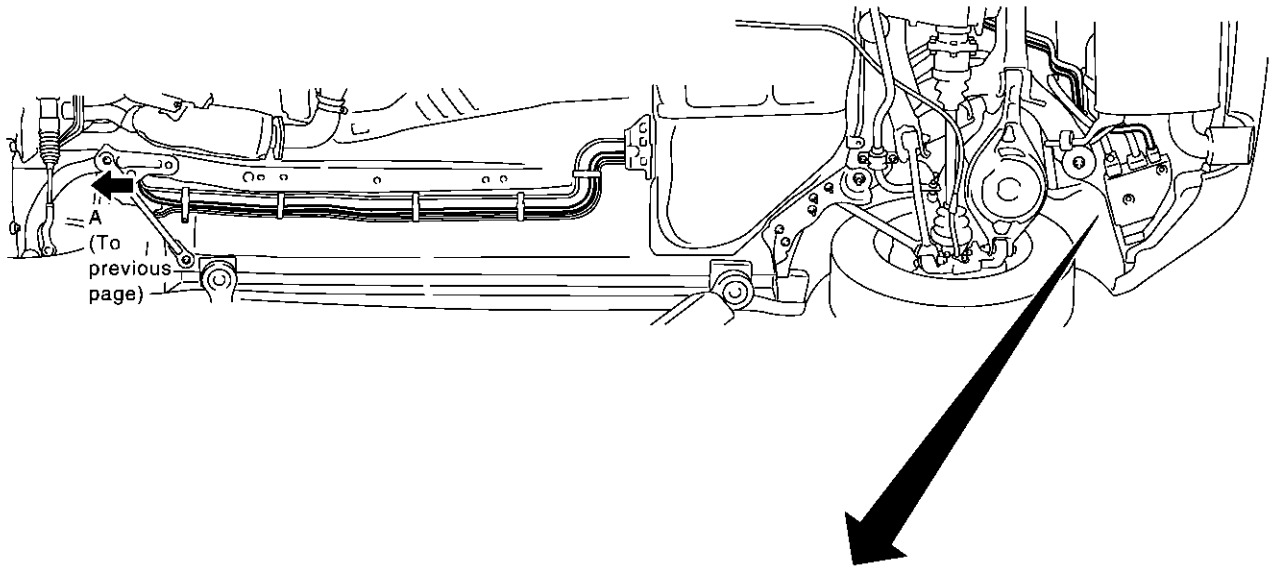
**NOTE: Do not use soapy water or any type of solvent while installing vacuum hose or purge hoses.**

A (From next page)

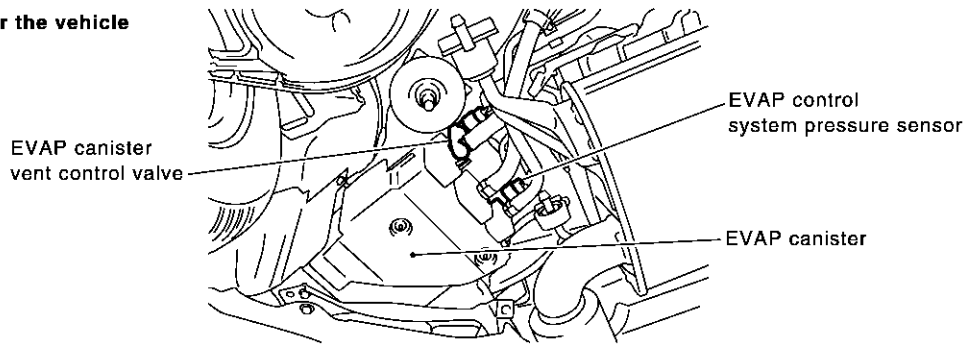
PBIB1022E

# EVAPORATIVE EMISSION SYSTEM

A  
EC  
C  
D  
E  
F  
G  
H  
I  
J  
K  
L  
M



**View from under the vehicle**



PBIB1066E

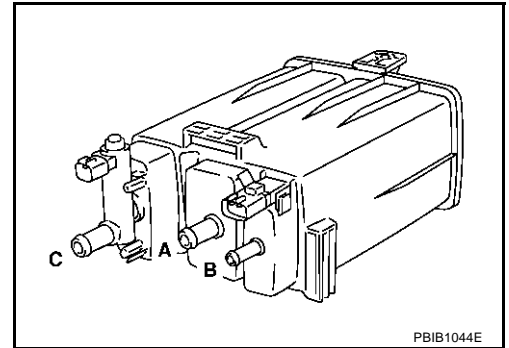
# EVAPORATIVE EMISSION SYSTEM

ABS0016S

## Component Inspection EVAP CANISTER

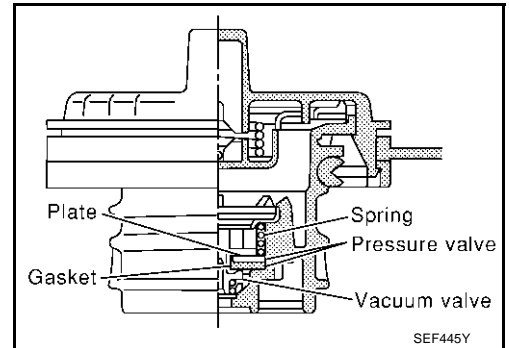
Check EVAP canister as follows:

1. Block port **B** .
2. Blow air into port **A** and check that it flows freely out of port **C** .
3. Release blocked port **B** .
4. Apply vacuum pressure to port **B** and check that vacuum pressure exists at the ports **A** and **C** .
5. Block port **A** and **B** .
6. Apply pressure to port **C** and check that there is no leakage.



## FUEL TANK VACUUM RELIEF VALVE (BUILT INTO FUEL FULLER CAP)

1. Wipe clean valve housing.



2. Check valve opening pressure and vacuum.

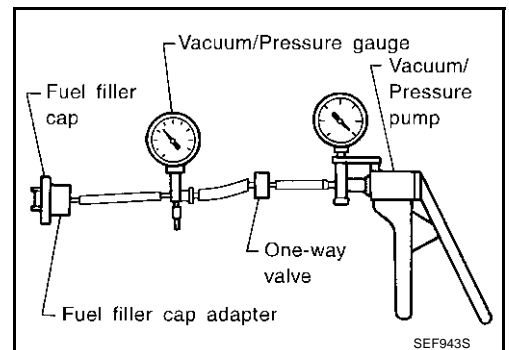
**Pressure:** 15.3 - 20.0 kPa (0.156 - 0.204 kg/cm<sup>2</sup> , 2.22 - 2.90 psi)

**Vacuum:** -6.0 to -3.3 kPa (-0.061 to -0.034 kg/cm<sup>2</sup> , -0.87 to -0.48 psi)

3. If out of specification, replace fuel filler cap as an assembly.

### CAUTION:

Use only a genuine fuel filler cap as a replacement. If an incorrect fuel filler cap is used, the MIL may come on.



## EVAP CANISTER PURGE VOLUME CONTROL SOLENOID VALVE

Refer to [EC-343](#) .

## FUEL TANK TEMPERATURE SENSOR

Refer to [EC-285](#) .

## EVAP CANISTER VENT CONTROL VALVE

Refer to [EC-350](#) .

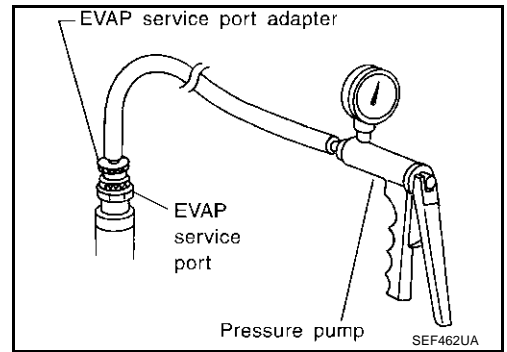
## EVAP CONTROL SYSTEM PRESSURE SENSOR

Refer to [EC-360](#) .

# EVAPORATIVE EMISSION SYSTEM

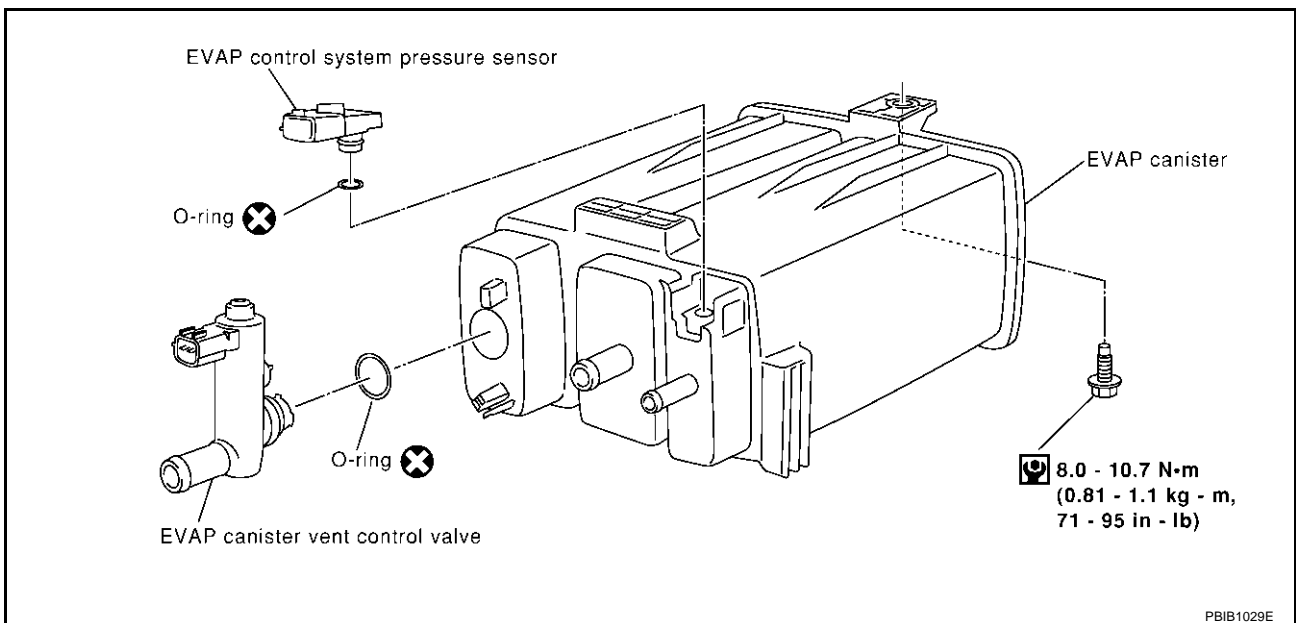
## EVAP SERVICE PORT

Positive pressure is delivered to the EVAP system through the EVAP service port. If fuel vapor leakage in the EVAP system occurs, use a leak detector to locate the leak.



## Removal and Installation EVAP CANISTER

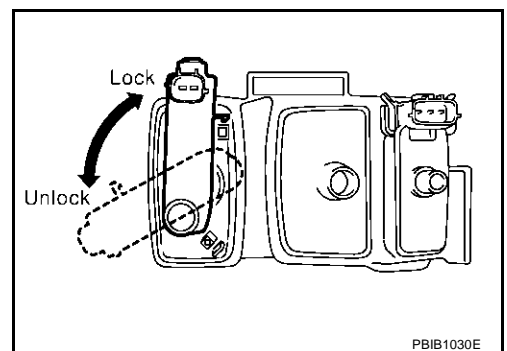
Tighten EVAP canister as shown in the figure.



## EVAP CANISTER VENT CONTROL VALVE

1. Turn EVAP canister vent control valve counterclockwise.
2. Remove the EVAP canister vent control valve.

**Do not reuse the O-ring, replace it with a new one.**



## How to Detect Fuel Vapor Leakage

### CAUTION:

- Never use compressed air or a high pressure pump.
- Do not exceed 4.12 kPa (0.042 kg/cm<sup>2</sup>, 0.6 psi) of pressure in EVAP system.

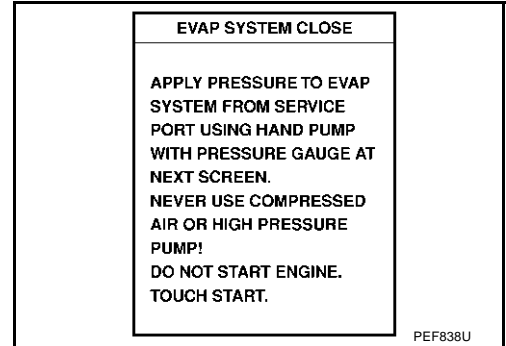
### NOTE:

- Do not start engine.
- Improper installation of EVAP service port adapter to the EVAP service port may cause a leak.

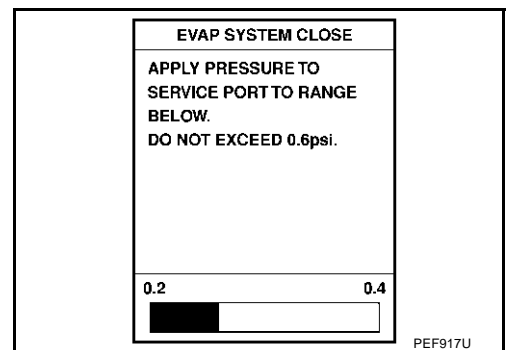
# EVAPORATIVE EMISSION SYSTEM

## ④ WITH CONSULT-II

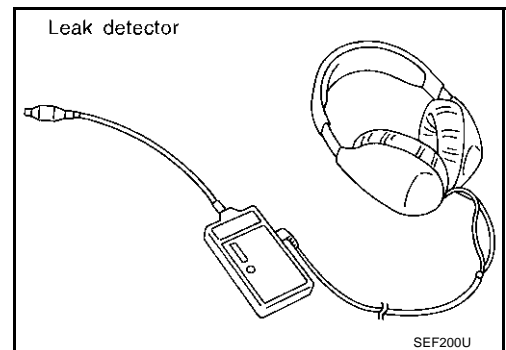
1. Attach the EVAP service port adapter securely to the EVAP service port.
2. Also attach the pressure pump and hose to the EVAP service port adapter.
3. Turn ignition switch "ON".
4. Select the "EVAP SYSTEM CLOSE" of "WORK SUPPORT MODE" with CONSULT-II.
5. Touch "START". A bar graph (Pressure indicating display) will appear on the screen.



6. Apply positive pressure to the EVAP system until the pressure indicator reaches the middle of the bar graph.
7. Remove EVAP service port adapter and hose with pressure pump.

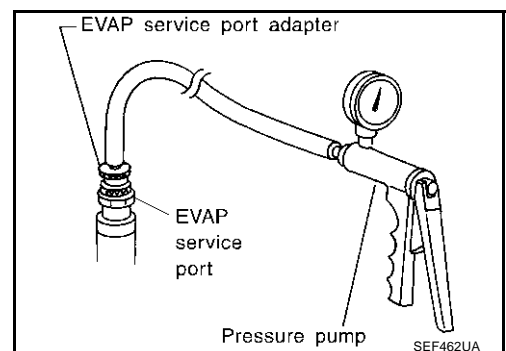


8. Locate the leak using a leak detector. Refer to [EC-634, "EVAPORATIVE EMISSION LINE DRAWING"](#).



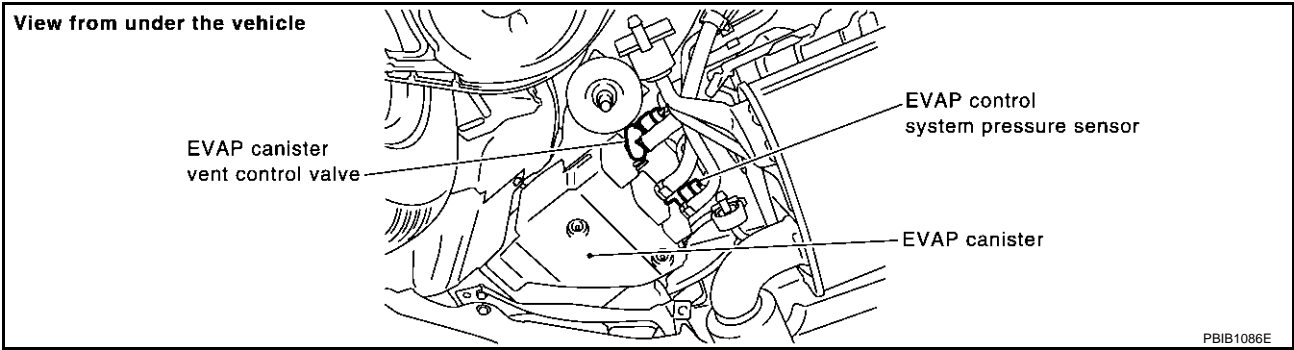
## ⊗ WITHOUT CONSULT-II

1. Attach the EVAP service port adapter securely to the EVAP service port.
2. Also attach the pressure pump with pressure gauge to the EVAP service port adapter.



## EVAPORATIVE EMISSION SYSTEM

3. Apply battery voltage to between the terminals of EVAP canister vent control valve to make a closed EVAP system.



4. To locate the leak, deliver positive pressure to the EVAP system until pressure gauge points reach 1.38 to 2.76 kPa (0.014 to 0.028 kg/cm<sup>2</sup>, 0.2 to 0.4 psi).
5. Remove EVAP service port adapter and hose with pressure pump.
6. Locate the leak using a leak detector. Refer to [EC-634, "EVAPORATIVE EMISSION LINE DRAWING"](#).

A

EC

C

D

E

F

G

H

I

J

K

L

M

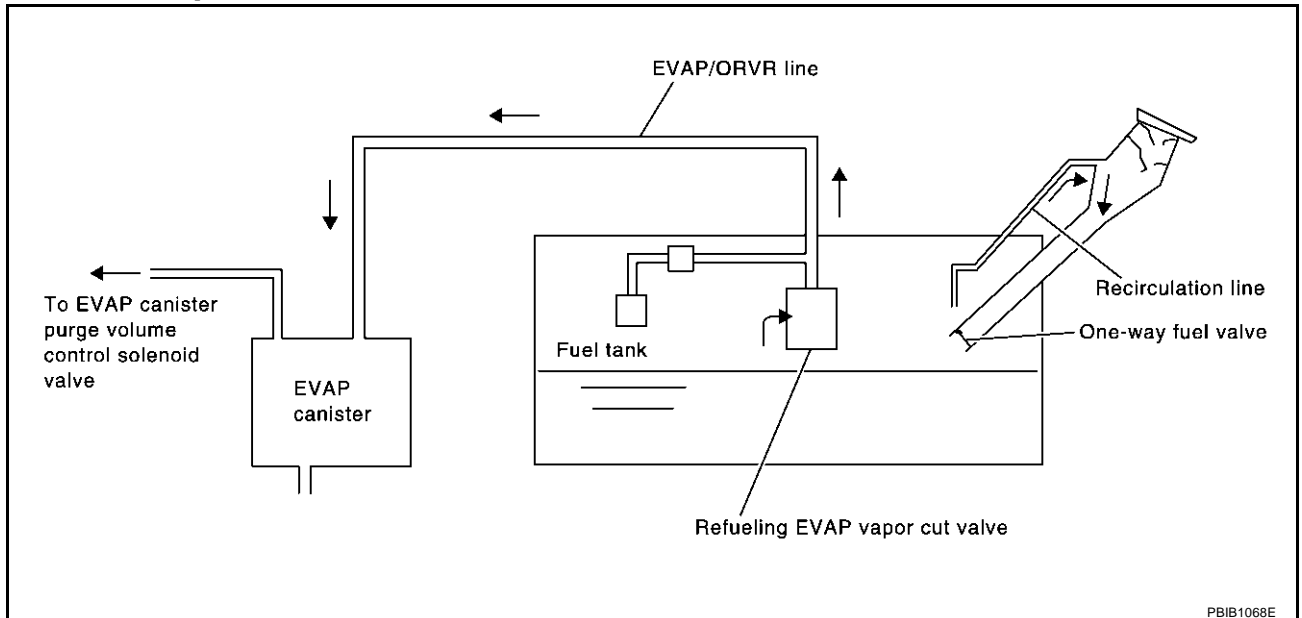
# ON BOARD REFUELING VAPOR RECOVERY (ORVR)

## ON BOARD REFUELING VAPOR RECOVERY (ORVR)

PFP:00032

### System Description

ABS0016V



From the beginning of refueling, the air and vapor inside the fuel tank go through refueling EVAP vapor cut valve and EVAP/ORVR line to the EVAP canister. The vapor is absorbed by the EVAP canister and the air is released to the atmosphere.

When the refueling has reached the full level of the fuel tank, the refueling EVAP vapor cut valve is closed and refueling is stopped because of auto shut-off. The vapor which was absorbed by the EVAP canister is purged during driving.

#### **WARNING:**

When conducting inspections below, be sure to observe the following:

- Put a "CAUTION: INFLAMMABLE" sign in workshop.
- Do not smoke while servicing fuel system. Keep open flames and sparks away from work area.
- Be sure to furnish the workshop with a CO<sub>2</sub> fire extinguisher.

#### **CAUTION:**

- Before removing fuel line parts, carry out the following procedures:
  - Put drained fuel in an explosion-proof container and put lid on securely.
  - Release fuel pressure from fuel line. Refer to "Fuel Pressure Release", [EC-53](#).
  - Disconnect battery ground cable.
- Always replace O-ring when the fuel gauge retainer is removed.
- Do not kink or twist hose and tube when they are installed.
- Do not tighten hose and clamps excessively to avoid damaging hoses.
- After installation, run engine and check for fuel leaks at connection.
- Do not attempt to top off the fuel tank after the fuel pump nozzle shuts off automatically. Continued refueling may cause fuel overflow, resulting in fuel spray and possibly a fire.



# ON BOARD REFUELING VAPOR RECOVERY (ORVR)

## Diagnostic Procedure

ABS0016W

### SYMPTOM: FUEL ODOR FROM EVAP CANISTER IS STRONG.

#### 1. CHECK EVAP CANISTER

1. Remove EVAP canister with EVAP canister vent control valve and EVAP control system pressure sensor attached.
2. Weigh the EVAP canister with EVAP canister vent control valve and EVAP control system pressure sensor attached.  
The weight should be less than 2.2 kg (4.9 lb).

#### OK or NG

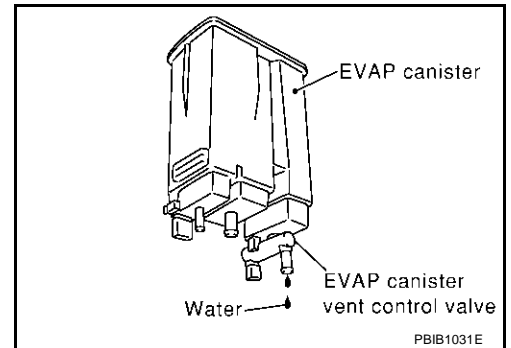
- OK >> GO TO 2.  
NG >> GO TO 3.

#### 2. CHECK IF EVAP CANISTER SATURATED WITH WATER

Does water drain from the EVAP canister?

#### Yes or No

- Yes >> GO TO 3.  
No >> GO TO 5.



#### 3. REPLACE EVAP CANISTER

Replace EVAP canister with a new one.

>> GO TO 4.

#### 4. DETECT MALFUNCTIONING PART

Check the EVAP hose between EVAP canister and vehicle frame for clogging or poor connection.

>> Repair or replace EVAP hose.

#### 5. CHECK REFUELING EVAP VAPOR CUT VALVE

Refer to [EC-643, "Component Inspection"](#).

#### OK or NG

- OK >> **INSPECTION END**  
NG >> Replace refueling EVAP vapor cut valve with fuel tank.

# ON BOARD REFUELING VAPOR RECOVERY (ORVR)

**SYMPTOM: CANNOT REFUEL/FUEL ODOR FROM THE FUEL FILLER OPENING IS STRONG WHILE REFUELING.**

## 1. CHECK EVAP CANISTER

1. Remove EVAP canister with EVAP canister vent control valve and EVAP control system pressure sensor attached.
2. Weigh the EVAP canister with EVAP canister vent control valve and EVAP control system pressure sensor attached.  
The weight should be less than 2.2 kg (4.9 lb).

OK or NG

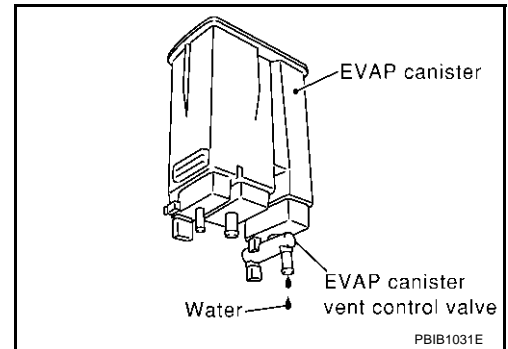
- OK >> GO TO 2.  
NG >> GO TO 3.

## 2. CHECK IF EVAP CANISTER SATURATED WITH WATER

Does water drain from the EVAP canister?

Yes or No

- Yes >> GO TO 3.  
No >> GO TO 5.



## 3. REPLACE EVAP CANISTER

Replace EVAP canister with a new one.

>> GO TO 4.

## 4. DETECT MALFUNCTIONING PART

Check the EVAP hose between EVAP canister and vehicle frame for clogging or poor connection.

>> Repair or replace EVAP hose.

## 5. CHECK VENT HOSES AND VENT TUBES

Check hoses and tubes between EVAP canister and refueling control valve for clogging, kink, looseness and improper connection.

OK or NG

- OK >> GO TO 6.  
NG >> Repair or replace hoses and tubes.

## 6. CHECK FILLER NECK TUBE

Check recirculation line for clogging, dents and cracks.

OK or NG

- OK >> GO TO 7.  
NG >> Replace filler neck tube.

# ON BOARD REFUELING VAPOR RECOVERY (ORVR)

## 7. CHECK REFUELING EVAP VAPOR CUT VALVE

Refer to [EC-643, "Component Inspection"](#) .

OK or NG

- OK >> GO TO 8.
- NG >> Replace refueling EVAP vapor cut valve with fuel tank.

## 8. CHECK FUEL FILLER TUBE

Check filler neck tube and hose connected to the fuel tank for clogging, dents and cracks.

OK or NG

- OK >> GO TO 9.
- NG >> Replace fuel filler tube.

## 9. CHECK ONE-WAY FUEL VALVE-I

Check one-way valve for clogging.

OK or NG

- OK >> GO TO 10.
- NG >> Repair or replace one-way fuel valve with fuel tank.

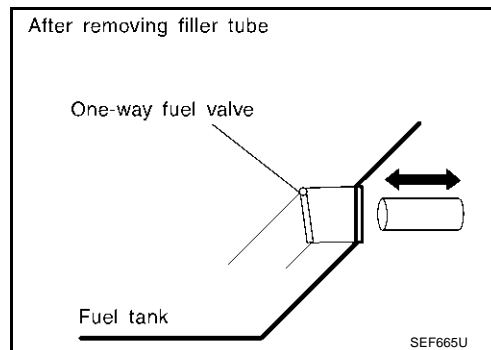
## 10. CHECK ONE-WAY FUEL VALVE-II

1. Make sure that fuel is drained from the tank.
2. Remove fuel filler tube and hose.
3. Check one-way fuel valve for operation as follows.  
When a stick is inserted, the valve should open, when removing stick it should close.

**Do not drop any material into the tank.**

OK or NG

- OK >> **INSPECTION END**
- NG >> Replace fuel filler tube or replace one-way fuel valve with fuel tank.



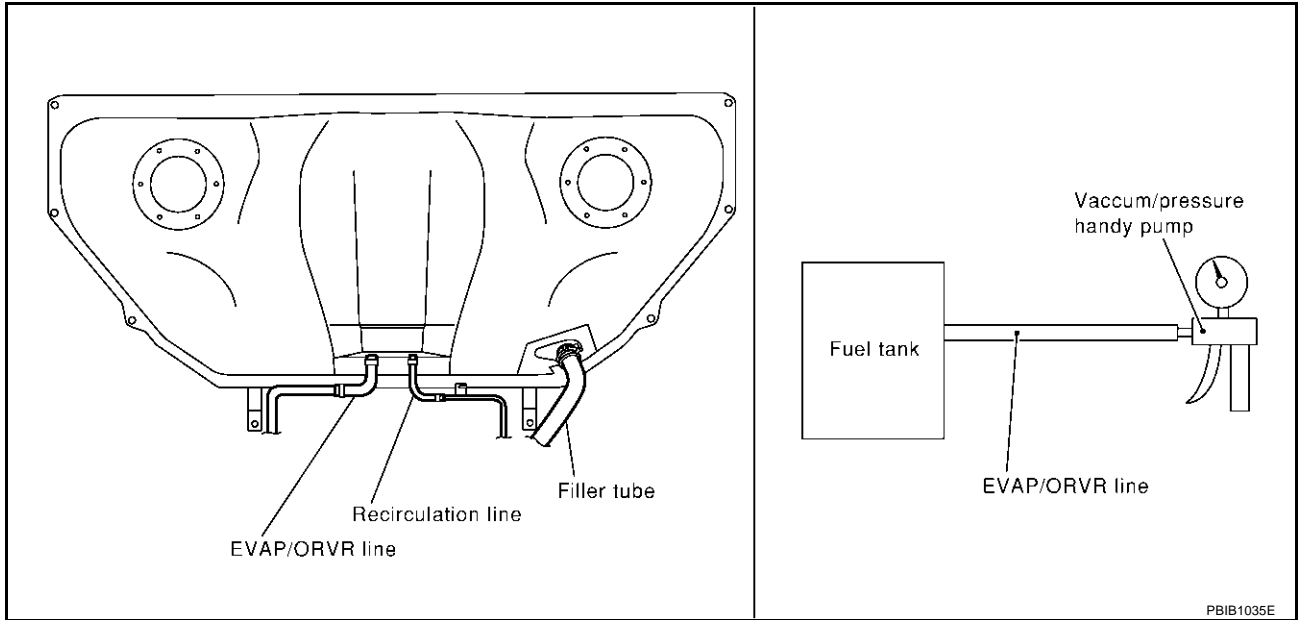
## Component Inspection REFUELING EVAP VAPOR CUT VALVE

Ⓟ With CONSULT-II

1. Remove fuel tank. Refer to [FL-11, "FUEL TANK"](#) .
2. Drain fuel from the tank as follows:
  - a. Remove fuel feed hose located on the fuel gauge retainer.
  - b. Connect a spare fuel hose, one side to fuel gauge retainer where the hose was removed and the other side to a fuel container.
  - c. Drain fuel using "FUEL PUMP RELAY" in "ACTIVE TEST" mode with CONSULT-II.
3. Check refueling EVAP vapor cut valve for being stuck to close as follows.  
Blow air into the refueling EVAP vapor cut valve (from the end of EVAP/ORVR line hose), and check that the air flows freely into the tank.
4. Check refueling EVAP vapor cut valve for being stuck to open as follows.
  - a. Connect vacuum pump to hose end.
  - b. Remove fuel gauge retainer with fuel gauge unit.  
**Always replace O-ring with new one.**
  - c. Put fuel tank upside down.

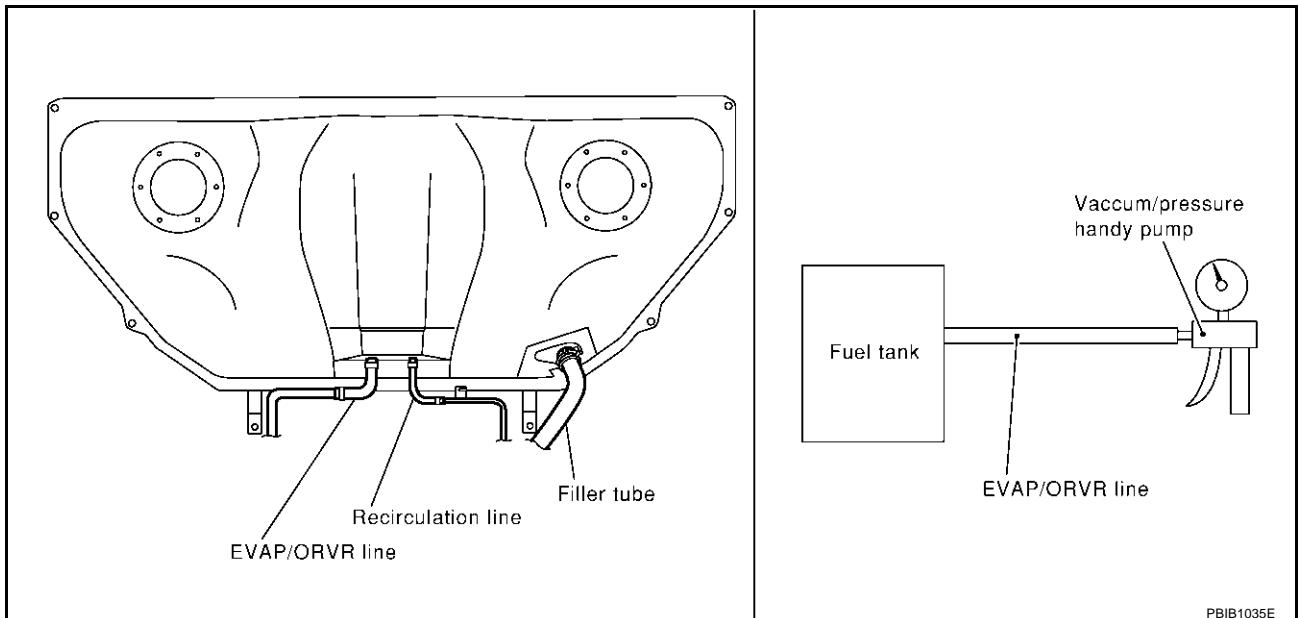
## ON BOARD REFUELING VAPOR RECOVERY (ORVR)

- d. Apply vacuum pressure to hose end [-13.3 kPa (-100 mmHg, -3.94 inHg)] with fuel gauge retainer remaining open and check that the pressure is applicable.



### ⊗ Without CONSULT-II

1. Remove fuel tank. Refer to [FL-11, "FUEL TANK"](#).
2. Drain fuel from the tank as follows:
  - a. Remove fuel gauge retainer.
  - b. Drain fuel from the tank using a handy pump into a fuel container.
3. Check refueling EVAP vapor cut valve for being stuck to close as follows. Blow air into the refueling EVAP vapor cut valve (from the end of EVAP/ORVR line hose), and check that the air flows freely into the tank.
4. Check refueling EVAP vapor cut valve for being stuck to open as follows.
  - a. Connect vacuum pump to hose end.
  - b. Remove fuel gauge retainer with fuel gauge unit.  
**Always replace O-ring with new one.**
  - c. Put fuel tank upside down.
- d. Apply vacuum pressure to hose end [-13.3 kPa (-100 mmHg, -3.94 inHg)] with fuel gauge retainer remaining open and check that the pressure is applicable.



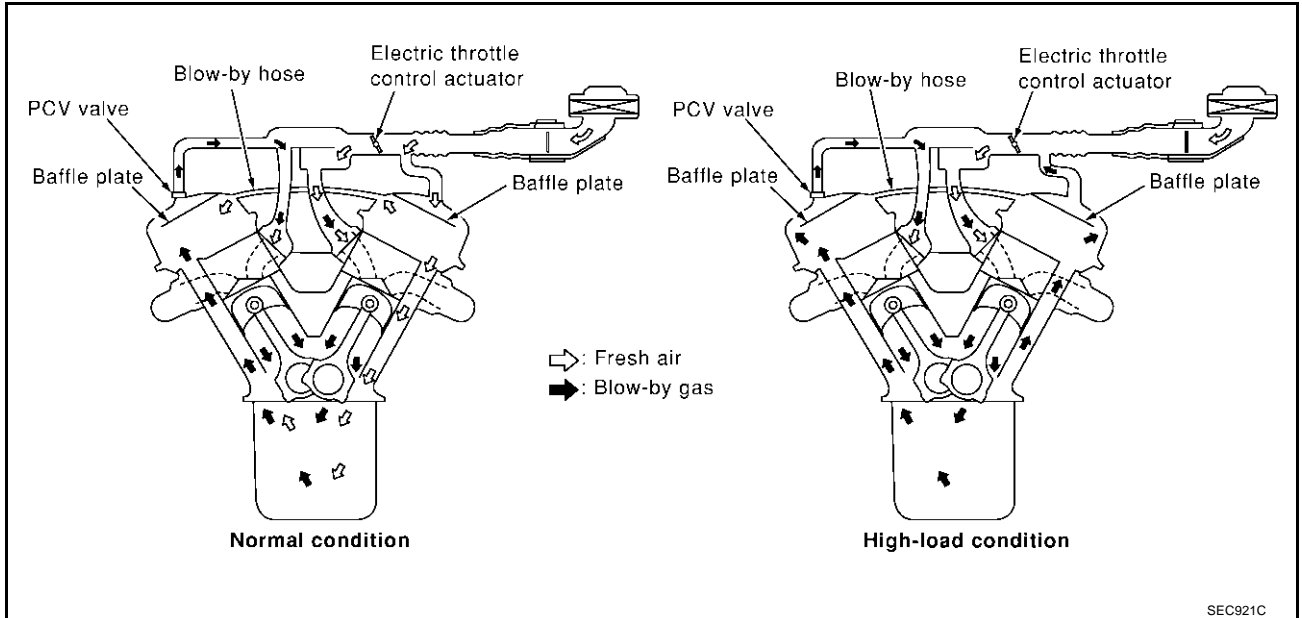
# POSITIVE CRANKCASE VENTILATION

## POSITIVE CRANKCASE VENTILATION

PF1:11810

### Description SYSTEM DESCRIPTION

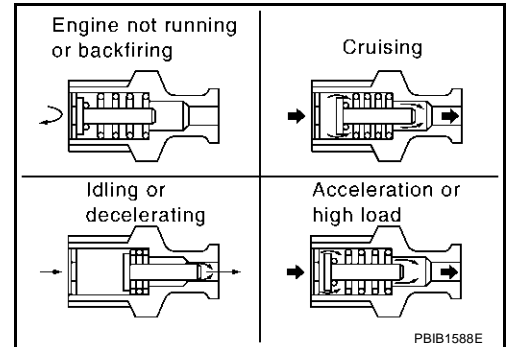
ABS0016Y



This system returns blow-by gas to the intake manifold.

The positive crankcase ventilation (PCV) valve is provided to conduct crankcase blow-by gas to the intake manifold. During partial throttle operation of the engine, the intake manifold sucks the blow-by gas through the PCV valve. Normally, the capacity of the valve is sufficient to handle any blow-by and a small amount of ventilating air. The ventilating air is then drawn from the air inlet tubes into the crankcase. In this process the air passes through the hose connecting air inlet tubes to rocker cover. Under full-throttle condition, the manifold vacuum is insufficient to draw the blow-by flow through the valve. The flow goes through the hose connection in the reverse direction.

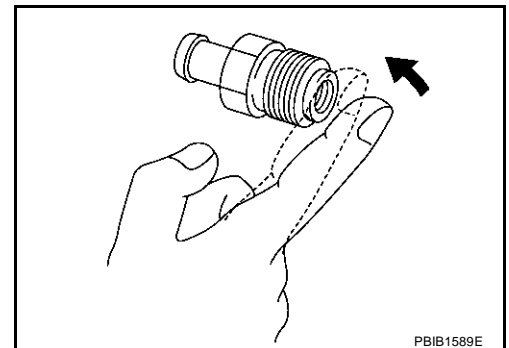
On vehicles with an excessively high blow-by, the valve does not meet the requirement. This is because some of the flow will go through the hose connection to the air inlet tubes under all conditions.



### Component Inspection PCV (POSITIVE CRANKCASE VENTILATION) VALVE

ABS0016Z

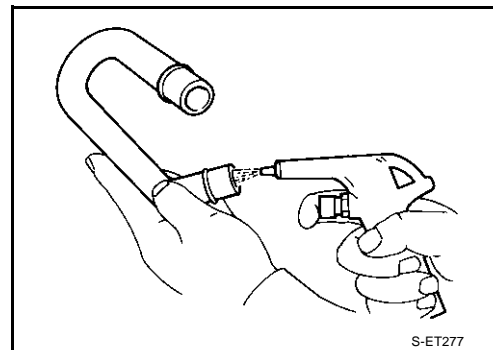
With engine running at idle, remove PCV valve from rocker cover. A properly working valve makes a hissing noise as air passes through it. A strong vacuum should be felt immediately when a finger is placed over valve inlet.



# POSITIVE CRANKCASE VENTILATION

## PCV VALVE VENTILATION HOSE

1. Check hoses and hose connections for leaks.
2. Disconnect all hoses and clean with compressed air. If any hose cannot be freed of obstructions, replace.



# AUTOMATIC SPEED CONTROL DEVICE (ASCD)

## AUTOMATIC SPEED CONTROL DEVICE (ASCD)

PFP:18930

### System Description INPUT/OUTPUT SIGNAL CHART

ABS00170

Sensor	Input signal to ECM	ECM function	Actuator
ASCD brake switch	Brake pedal operation	ASCD vehicle speed control	Electric throttle control actuator
Stop lamp switch	Brake pedal operation		
ASCD clutch switch	Clutch pedal operation		
ASCD steering switch	ASCD steering switch operation		
Park/Neutral position (PNP) switch	Gear position		
Unified meter and A/C amp.	Vehicle speed		
TCM	Powertrain revolution		

### BASIC ASCD SYSTEM

Refer to Owner's Manual for ASCD operating instructions.

Automatic Speed Control Device (ASCD) allows a driver to keep vehicle at predetermined constant speed without depressing accelerator pedal. Driver can set vehicle speed in advance between approximately 40 km/h (25 MPH) and 144 km/h (89 MPH).

ECM controls throttle angle of electric throttle control actuator to regulate engine speed.

Operation status of ASCD is indicated by CRUISE indicator and SET indicator in combination meter. If any malfunction occurs in ASCD system, it automatically deactivates control.

### SET OPERATION

Press ASCD CRUISE switch (Main switch). (The CRUISE indicator in combination meter illuminates.)

When vehicle speed reaches a desired speed between approximately 40 km/h (25 MPH) and 144 km/h (89 MPH), press SET switch. (Then SET indicator in combination meter illuminates.)

### ACCEL OPERATION

If the RESUME/ACCEL switch is pressed during cruise control driving, increase the vehicle speed until the switch is released or vehicle speed reaches maximum speed controlled by the system.

And then ASCD will keep the new set speed.

### CANCEL OPERATION

When any of following conditions exist, cruise operation will be canceled.

- CANCEL switch is pressed
- More than 2 switches at ASCD steering switch are pressed at the same time (Set speed will be cleared)
- Brake pedal is depressed
- Clutch pedal is depressed or gear position is changed to the neutral position (M/T models)
- Selector lever is changed to "N", "P", "R" position (A/T models)
- Vehicle speed decreased to 13 km/h (8 MPH) lower than the set speed
- VDC/TCS system is operated

When the ECM detects any of the following conditions, the ECM will cancel the cruise operation and inform the driver by blinking indicator lamp.

- Engine coolant temperature is slightly higher than the normal operating temperature, CRUISE lamp may blink slowly.  
When the engine coolant temperature decreases to the normal operating temperature, CRUISE lamp will stop blinking and the cruise operation will be able to work by pressing SET switch or RESUME switch.
- Malfunction for some self-diagnoses regarding ASCD control: SET lamp will blink quickly.

If MAIN switch is turned to OFF during ASCD is activated, all of ASCD operations will be canceled and vehicle speed memory will be erased.

### COAST OPERATION

When the SET/COAST switch is pressed during cruise control driving, decrease vehicle set speed until the switch is released. And then ASCD will keep the new set speed.

# AUTOMATIC SPEED CONTROL DEVICE (ASCD)

---

## RESUME OPERATION

When the RESUME/ACCEL switch is pressed after cancel operation other than pressing MAIN switch is performed, vehicle speed will return to last set speed. To resume vehicle set speed, vehicle condition must meet following conditions.

- Brake pedal is released
- Clutch pedal is released (M/T models)
- A/T selector lever is in other than P and N positions (A/T models)
- Vehicle speed is greater than 40 km/h (25 MPH) and less than 144 km/h (89 MPH)



# AUTOMATIC SPEED CONTROL DEVICE (ASCD)

ABS00171

## Component Description

### ASCD STEERING SWITCH

Refer to [EC-512](#) .

### ASCD BRAKE SWITCH

Refer to [EC-519](#) , and [EC-612](#) .

### ASCD CLUTCH SWITCH

Refer to [EC-519](#) .

### STOP LAMP SWITCH

Refer to [EC-519](#) , [EC-546](#) and [EC-612](#) .

### ELECTRIC THROTTLE CONTROL ACTUATOR

Refer to [EC-418](#) , [EC-420](#) , [EC-426](#) and [EC-431](#) .

### ASCD INDICATOR

Refer to [EC-628](#) .

A

EC

C

D

E

F

G

H

I

J

K

L

M

# SERVICE DATA AND SPECIFICATIONS (SDS)

## SERVICE DATA AND SPECIFICATIONS (SDS)

PFP:00030

### Fuel Pressure

ABS00172

Fuel pressure at idling kPa (kg/cm <sup>2</sup> , psi)	Approximately 350 (3.57, 51)
--	------------------------------

### Idle Speed and Ignition Timing

ABS00173

Target idle speed	A/T	No-load* <sup>1</sup> (in "P" or "N" position)	650±50 rpm
	M/T	No-load* <sup>1</sup> (in "Neutral" position)	
Air conditioner: ON	A/T	In "P" or N" position	775 rpm or more
	M/T	In "Neutral" position	
Ignition timing	A/T	In "P" or N" position	15° ± 5° BTDC
	M/T	In "Neutral" position	

\*1: Under the following conditions:

- Air conditioner switch: OFF
- Electric load: OFF (Lights, heater fan & rear window defogger)
- Steering wheel: Kept in straight-ahead position

### Calculated Load Value

ABS00174

	Calculated load value % (Using CONSULT-II or GST)
At idle	5 - 35
At 2,500 rpm	5 - 35

### Mass Air Flow Sensor

ABS00175

Supply voltage	Battery voltage (11 - 14V)
Output voltage at idle	1.1 - 1.5*V
Mass air flow (Using CONSULT-II or GST)	2.0 - 6.0 g·m/sec at idle* 7.0 - 20.0 g·m/sec at 2,500 rpm*

\*: Engine is warmed up to normal operating temperature and running under no-load.

### Intake Air Temperature Sensor

ABS00176

Temperature °C (°F)	Resistance kΩ
25 (77)	1.94 - 2.06
80 (176)	0.295 - 0.349

### Engine Coolant Temperature Sensor

ABS00177

Temperature °C (°F)	Resistance kΩ
20 (68)	2.1 - 2.9
50 (122)	0.68 - 1.00
90 (194)	0.236 - 0.260

### Heated Oxygen Sensor 1 Heater

ABS00178

Resistance [at 25°C (77°F)]	3.3 - 4.0Ω
-----------------------------	------------

### Heated Oxygen sensor 2 Heater

ABS00179

Resistance [at 25°C (77°F)]	5.0 - 7.0Ω
-----------------------------	------------

### Crankshaft Position Sensor (POS)

ABS0017A

Refer to [EC-309, "Component Inspection"](#) .

# SERVICE DATA AND SPECIFICATIONS (SDS)

## Camshaft Position Sensor (PHASE)

ABS0017B

A

Refer to [EC-317, "Component Inspection"](#) .

## Throttle Control Motor

ABS0017C

EC

Resistance [at 25°C (77°F)]	Approximately 1 - 15Ω
-----------------------------	-----------------------

## Injector

ABS0017D

C

Resistance [at 20°C (68°F)]	13.5 - 17.5Ω
-----------------------------	--------------

## Fuel Pump

ABS0017E

D

Resistance [at 25°C (77°F)]	Approximately 1.0Ω
-----------------------------	--------------------

E

F

G

H

I

J

K

L

M

# SERVICE DATA AND SPECIFICATIONS (SDS)

---