

ACCELERATOR CONTROL, FUEL & EXHAUST SYSTEMS

SECTION **FE**

GI

MA

EM

LC

EC

FE

CL

MT

AT

PD

FA

RA

BR

ST

RS

BT

HA

EL

IDX

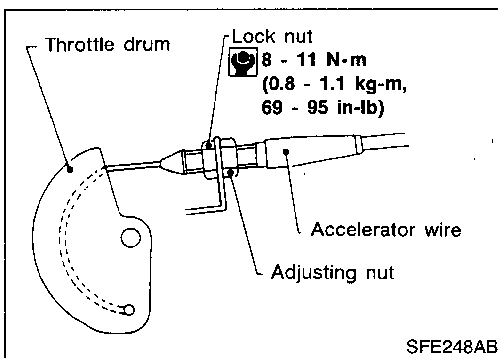
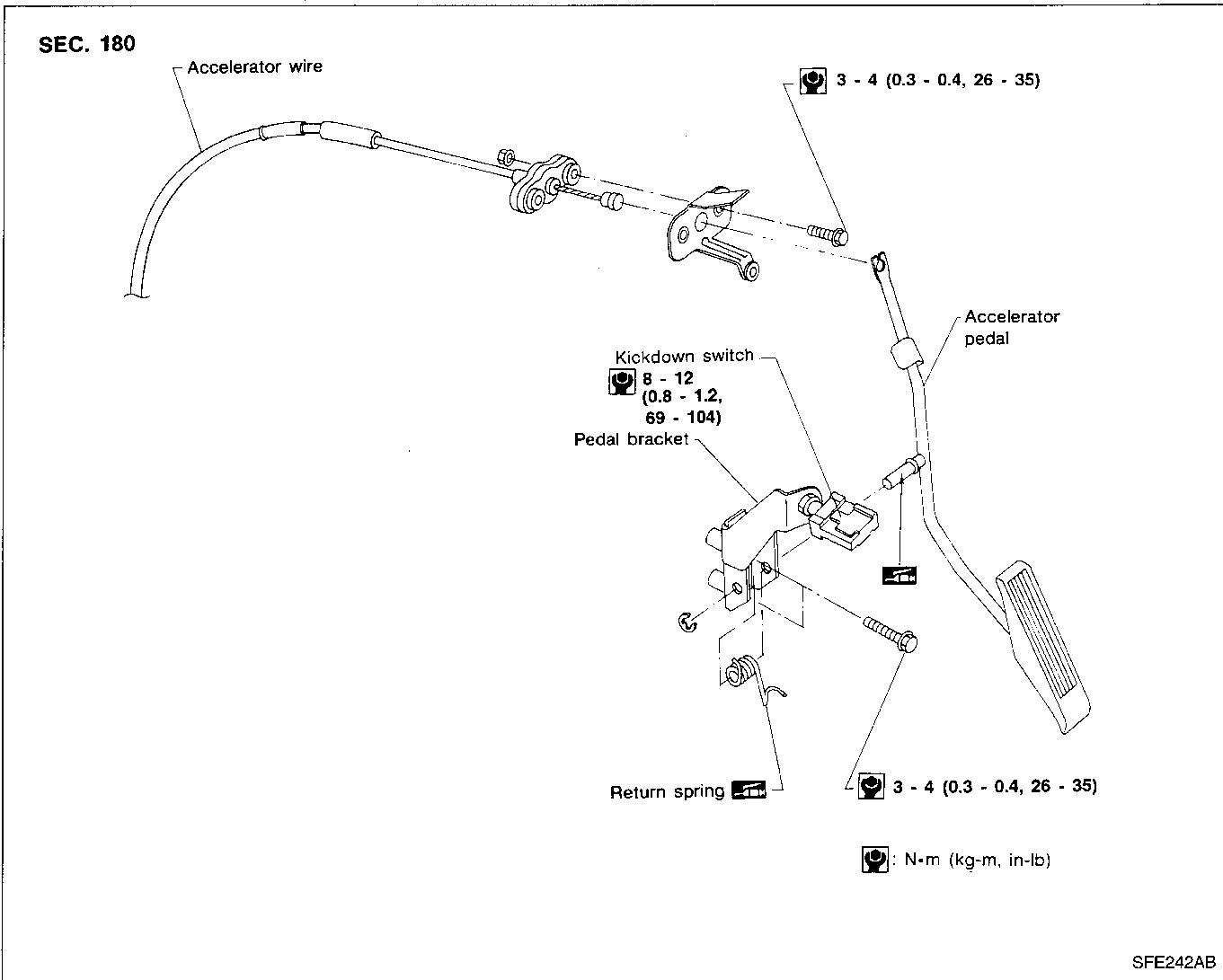
CONTENTS

ACCELERATOR CONTROL SYSTEM	2	FUEL SYSTEM	3
Adjusting Accelerator Wire	2	EXHAUST SYSTEM	5

ACCELERATOR CONTROL SYSTEM

CAUTION:

- When removing accelerator wire, make a mark to indicate lock nut's initial position.
- Check that throttle valve opens fully when accelerator pedal is fully depressed. Also check that it returns to idle position when accelerator pedal is released.
- Check accelerator control parts for improper contact with any adjacent parts.
- When connecting accelerator wire, be careful not to twist or scratch wire.
- Refer to "AUTOMATIC SPEED CONTROL DEVICE" in EL section for ASCD wire adjustment.
- For Kickdown switch adjustment, refer to "ON-VEHICLE SERVICE" in AT section.



Adjusting Accelerator Wire

CAUTION:

- Make sure the ASCD wire is not pulling the throttle drum.
 - Refer to "AUTOMATIC SPEED CONTROL DEVICE" in EL section for ASCD wire adjustment.
1. Loosen lock nut, and tighten adjusting nut until throttle drum starts to move.
 2. From that position turn back adjusting nut 1.5 to 2 turns, and fasten it with lock nut.

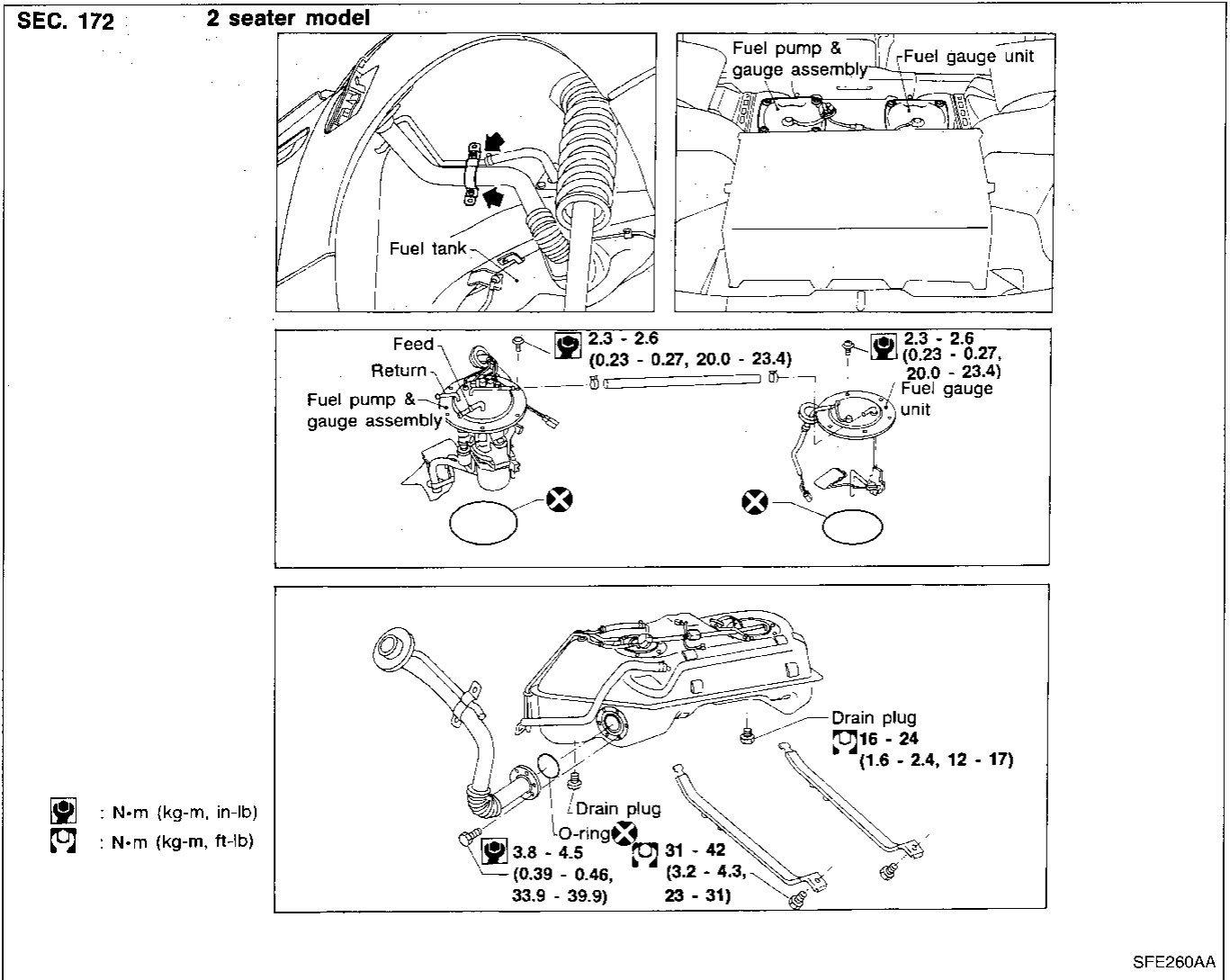
FUEL SYSTEM

WARNING:

- Be sure to furnish workshop with a CO₂ fire extinguisher.
- Do not smoke while servicing fuel system. Keep open flames and sparks away from work area.

CAUTION:

- Before removing fuel line parts carry out the following procedures:
 - a. Put drained fuel in an explosion-proof container and put the lid on securely.
 - b. Release fuel pressure from fuel line. Refer to "Fuel Pressure Release", "BASIC SERVICE PROCEDURE" in EC section.
 - c. Disconnect battery ground cable.
- When installing fuel check valve, be careful of its designated direction. (Refer to "EVAPORATIVE EMISSION SYSTEM" in EC section.)
- Always replace O-ring and clamps with new ones.
- Do not kink or twist tubes when they are being installed.
- Do not tighten hose clamps excessively to avoid damaging hoses.
- After installing tubes, run engine and check for fuel leaks at connections.
- Use only a genuine fuel filler cap as a replacement.



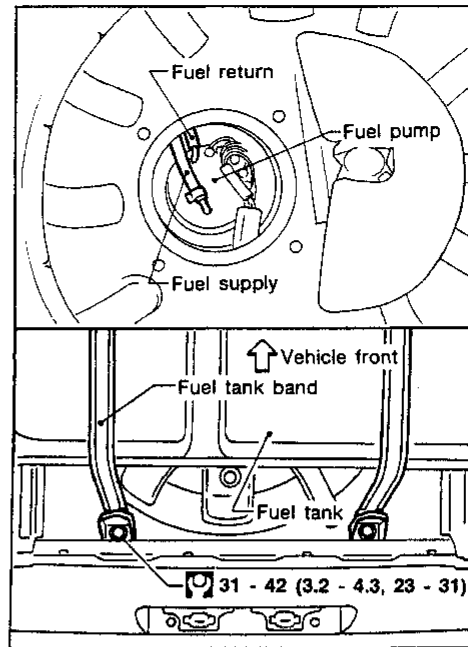
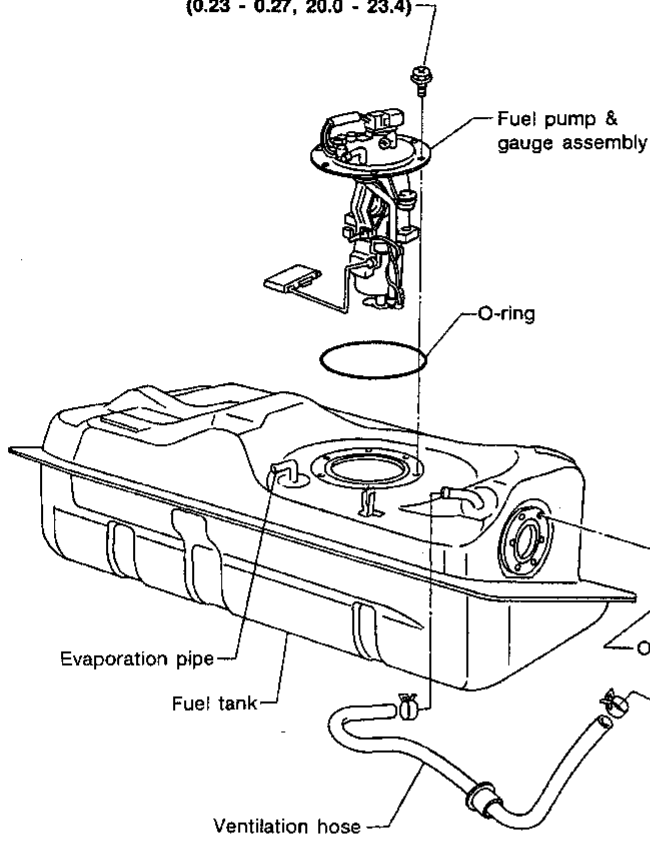
GI
MA
EM
LC
EC
FE
CL
MT
AT
PD
FA
RA
BR
ST
RS
BT
HA
EL
IDX

FUEL SYSTEM

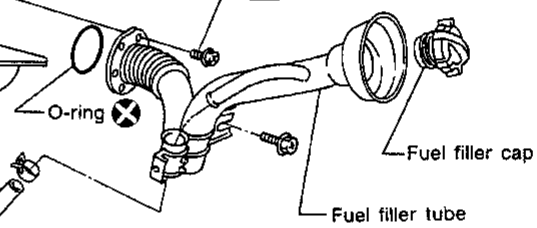
SEC. 172

2+2 seater model

2.3 - 2.6
(0.23 - 0.27, 20.0 - 23.4)



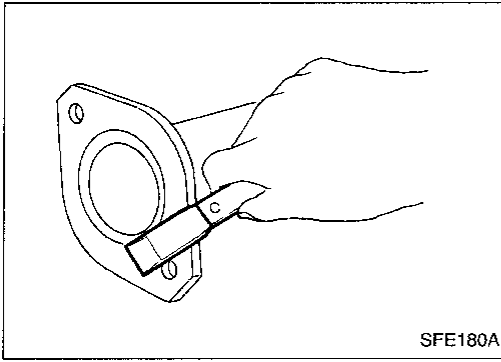
3.8 - 4.5 (0.39 - 0.46, 33.9 - 39.9)



⊙ : N·m (kg-m, in-lb)
⊕ : N·m (kg-m, ft-lb)

SFE261AA

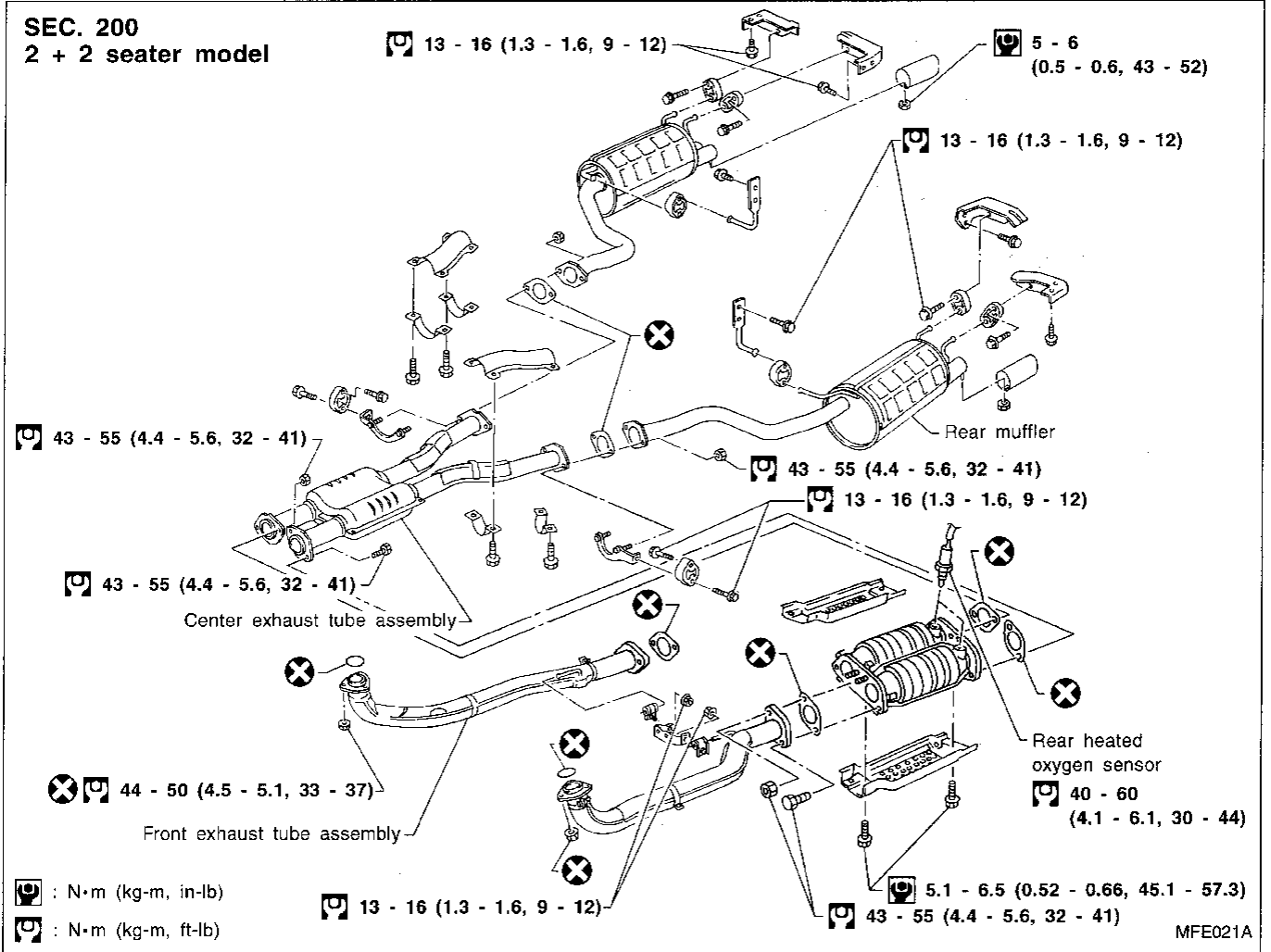
EXHAUST SYSTEM



CAUTION:

- Always replace exhaust gaskets with new ones when reassembling. If gasket is left on flange surface, scrape off completely as shown at left.
- With engine running, check all tube connections for exhaust gas leaks, and entire system for unusual noises.
- Check to ensure that mounting brackets and mounting insulators are installed properly and free from undue stress. Improper installation could result in excessive noise or vibration.
- Discard any heated oxygen sensor which has been dropped from a height of more than 0.5 m (19.7 in) onto a hard surface such as a concrete floor; use a new one.

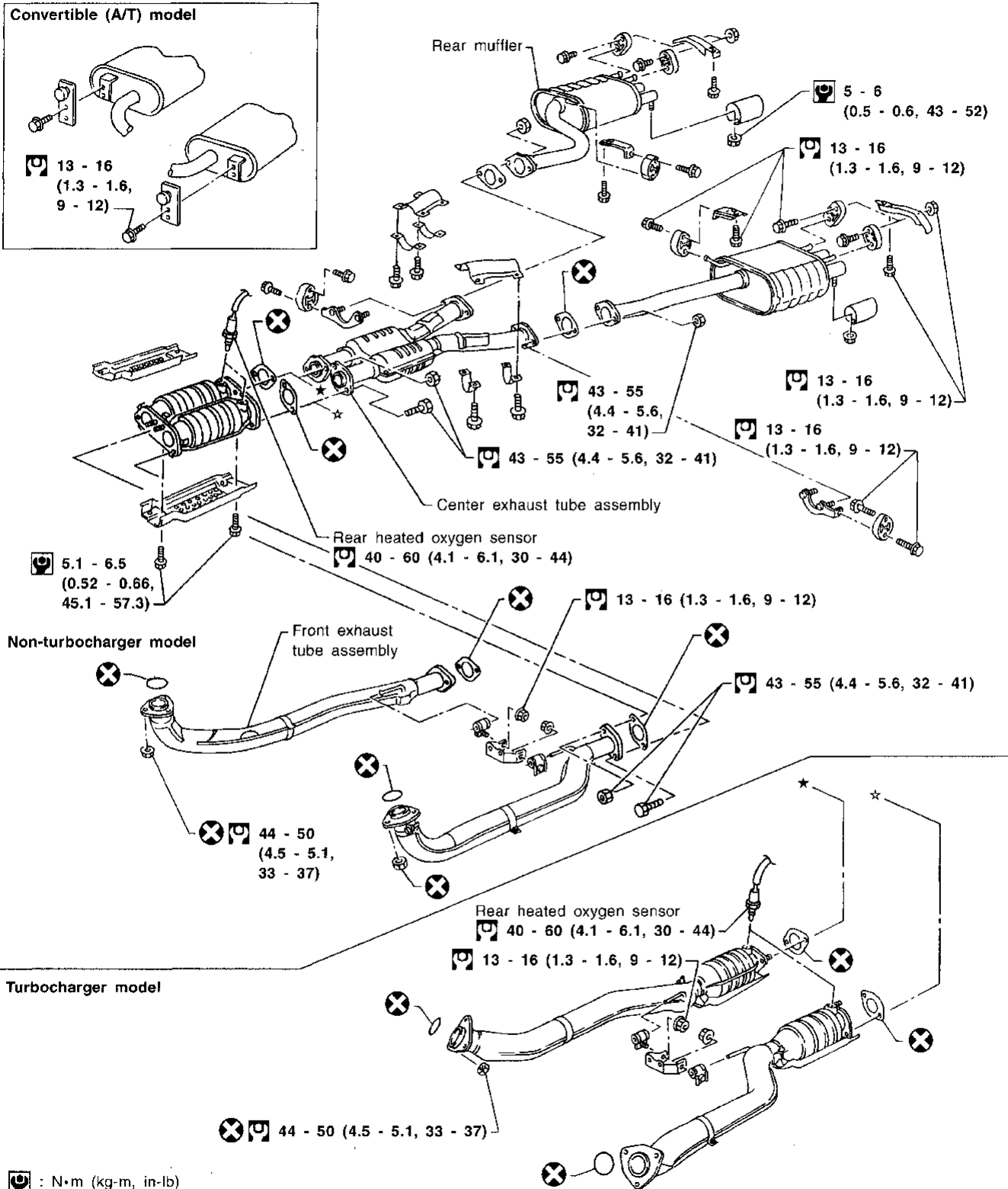
GI
MA
EM
LC
EC
FE
CL
MT
AT
PD
FA
RA
BR
ST
RS
BT
HA
EL
DX



EXHAUST SYSTEM

SEC. 200 2 seater model

Convertible (A/T) model



Non-turbocharger model

Turbocharger model

- : N·m (kg-m, in-lb)
- : N·m (kg-m, ft-lb)