

GI

MA

EM

LC

EF &
EC

FE

CL

MT

AT

PD

FA

RA

BR

ST

RS

BT

HA

EL

IDX

SECTION **BT**

CONTENTS

GENERAL SERVICING	2	T-BAR ROOF	29
Precautions	2	CONVERTIBLE ROOF	31
Supplemental Restraint System (SRS) "AIR BAG"	2	Storage Lid	31
Clip and Fastener	3	Top Cover and Headliner	32
BODY END	5	Linkage	33
Body Front End	5	Adjustment	35
Body Rear End and Opener	7	SEAT	36
DOOR	10	WINDSHIELD AND WINDOWS	38
INSTRUMENT PANEL	11	Windshield	38
INTERIOR TRIM	13	Side Window	39
Side, Luggage and Floor Trim	13	Back Door Window	40
Trunk Room Trim — Convertible model	16	REAR AIR SPOILER AND MIRROR	41
Door Trim	17	Rear Air Spoiler	41
Back Door Trim — Standard model	18	Door Mirror	41
Roof Trim — T-bar roof model	19	BODY ALIGNMENT	42
EXTERIOR TRIM	20	Engine Compartment	42
		Underbody	44

Precautions

- When removing or installing various parts, place a cloth or padding onto the vehicle body to prevent scratches.
- Handle trim, molding, instruments, grille, etc. carefully during removing or installation. Be careful not to soil or damage them.
- Apply sealing compound where necessary when installing parts.
- When applying sealing compound, be careful that the sealing compound does not protrude from parts.
- When replacing any metal parts (for example body outer panel, members, etc.), be sure to take rust prevention measures.

Supplemental Restraint System (SRS) "AIR BAG"

The Supplemental Restraint System "Air Bag", used along with a seat belt, helps to reduce the risk or severity of injury to the driver and front passenger in a frontal collision. The Supplemental Restraint System consists of air bag modules (located in the center of the steering wheel and on the instrument panel on the passenger side), sensors, a diagnosis unit, warning lamp, wiring harness and spiral cable. Information necessary to service the system safely is included in the **RS section** of this Service Manual.


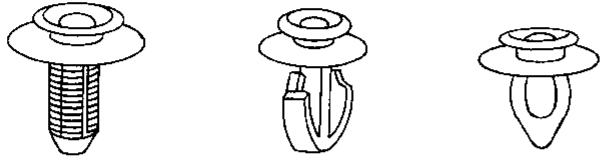
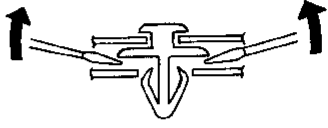

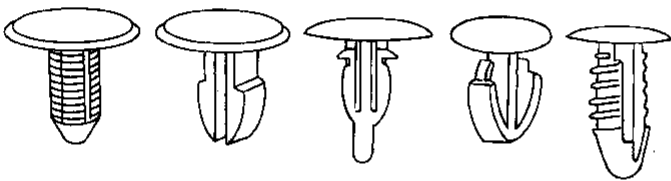
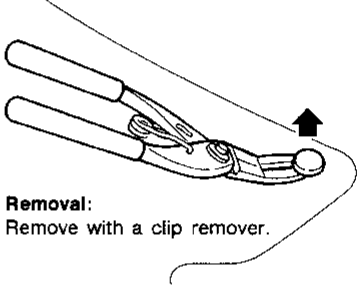

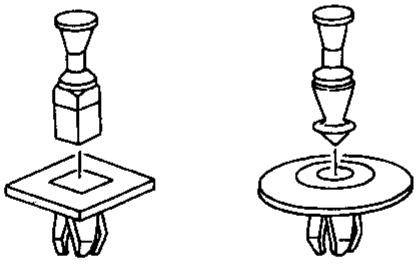
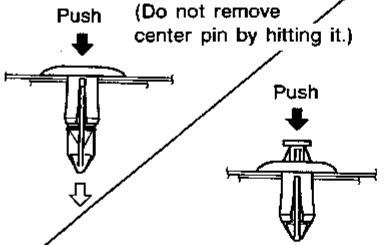

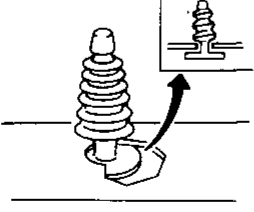
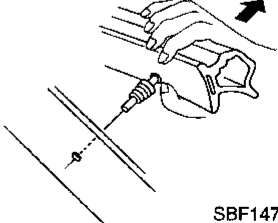
WARNING:

- **To avoid rendering the SRS inoperative, which could increase the risk of personal injury or death in the event of a collision which would result in air bag inflation, all maintenance must be performed by an authorized NISSAN dealer.**
- **Improper maintenance, including incorrect removal and installation of the SRS, can lead to personal injury caused by unintentional activation of the system.**
- **All SRS electrical wiring harnesses and connectors are covered with yellow outer insulation. Do not use electrical test equipment on any circuit related to the SRS.**

GENERAL SERVICING

Clip and Fastener

- Clips and fasteners in BT section correspond to the following numbers and symbols.
- Replace any clips and/or fasteners which are damaged during removal or installation.

Symbol No.	Shapes	Removal & Installation
	 <p style="text-align: right;">SBF302H</p>	<p>Removal: Remove by bending up with flat-bladed screwdrivers or clip remover.</p>  <p style="text-align: right;">SBF367BA</p>
	 <p style="text-align: right;">SBF303H</p>	 <p>Removal: Remove with a clip remover.</p> <p style="text-align: right;">SBF423H</p>
	 <p style="text-align: right;">SBF258G</p>	<p>Push center pin to catching position. (Do not remove center pin by hitting it.)</p>  <p>Installation:</p> <p style="text-align: right;">SBF708E</p>
	 <p style="text-align: right;">SBF104B</p>	<p>Removal:</p>  <p style="text-align: right;">SBF147B</p>

GI

MA

EM

LC

EF & EC

FE

CL

MT

AT

PD

FA

RA

BR

ST

RS

BT


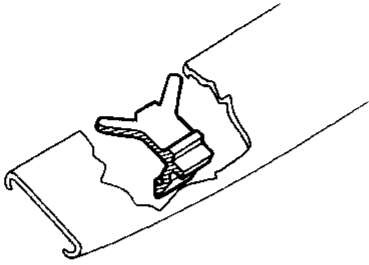
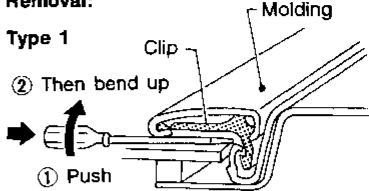
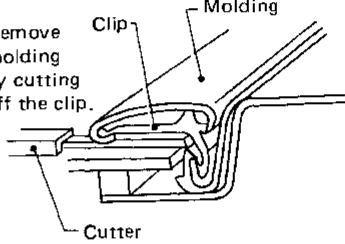

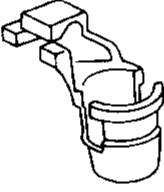
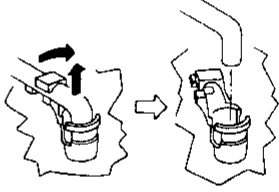
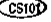
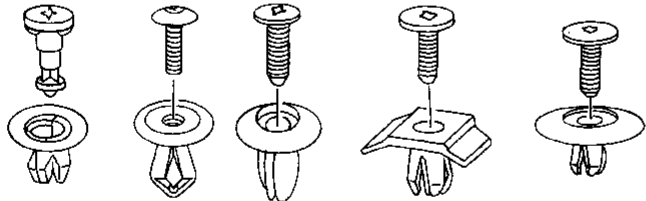
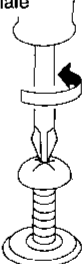
HA

EL

IDX

GENERAL SERVICING

Clip and Fastener (Cont'd)

Symbol No.	Shapes	Removal & Installation
		<p>Removal:</p> <p>Type 1</p>  <p>② Then bend up</p> <p>① Push</p> <p>SBF654B</p> <p>Type 2</p> <p>Remove molding by cutting off the clip.</p>  <p>Cutter</p> <p>SBF914B</p>
		<p>Removal:</p> <p>Holder portion of clip must be spread out to remove rod.</p>  <p>SBF768B</p> <p>SBF770B</p>
		<p>Removal:</p> <ol style="list-style-type: none"> 1. Screw out with a Phillips screwdriver. 2. Remove female portion with flat-bladed screwdriver.  <p>SBF078B</p> <p>SBF992G</p>

Body Front End

- When removing or installing hood, place a cloth or other padding on front fender panels and cowl top. This prevents the vehicle body from being scratched. GI
- Hood adjustment: Adjust at hinge portion. MA
- Hood lock adjustment: After adjusting, check hood lock control operation. Apply a coat of grease to hood locks engaging mechanism. EM
- Hood opener: Do not attempt to bend cable forcibly. Doing so increases effort required to unlock hood. LC

Bumper shock absorber inspection

1. Check shock absorber for oil leakage, cracks or deformation. EF & EC
2. Function of shock absorber;
 - (1) Place vehicle in front of a wall. Apply parking brake and place tire stoppers securely.
 - (2) Place a jack between bumper and wall, jack is positioned squarely with bumper, directly in line with shock absorber to be checked.
 - (3) Apply pressure to compress shock absorber at least 10.0 mm (0.394 in). FE

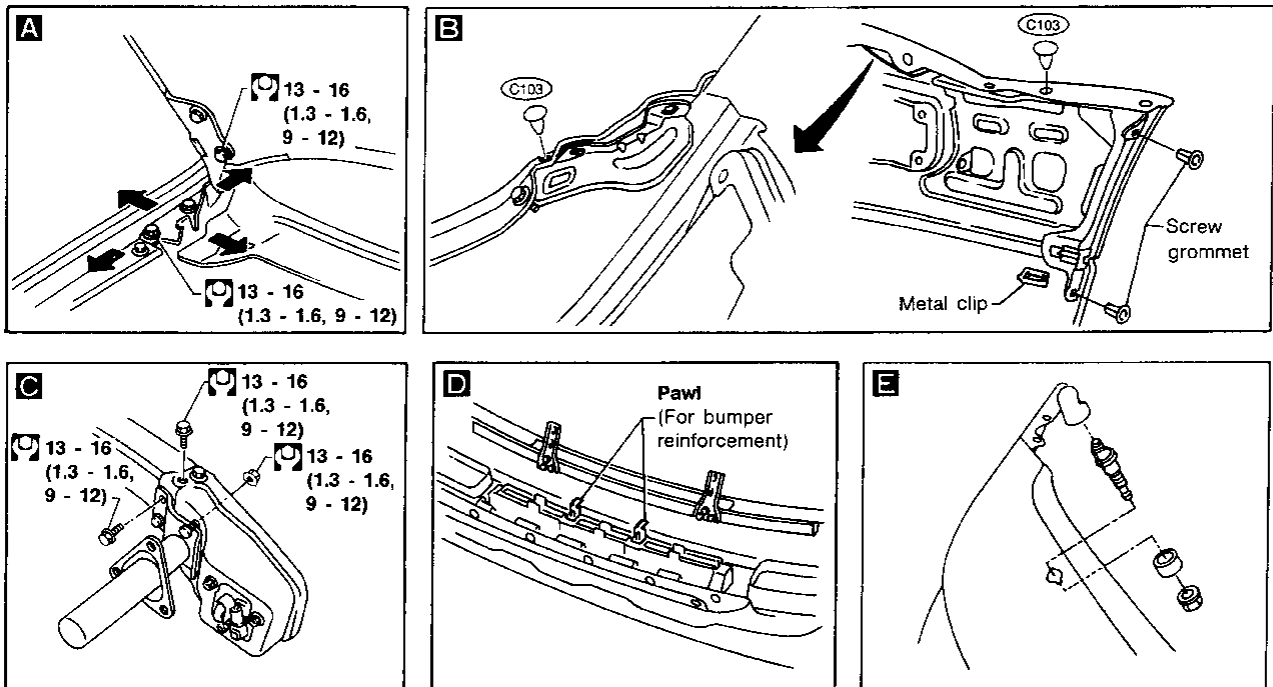
Use a jack with capacity of more than 600 kg (1,323 lb).

- (4) Make sure bumper returns to its original position when jack is retracted. Replace if necessary. CL

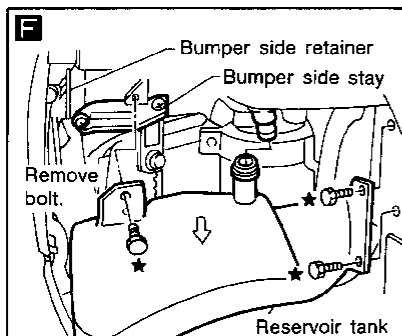
CAUTION:

It is not recommended to confirm proper installation by driving into walls or other barriers as this could cause personal injury or damage to the vehicle.

When replacing shock absorbers, make sure they are of the same type and rating, and manufactured by the same maker. MT



: N·m (kg·m, ft·lb)



- Remove front fender protectors. Remove bolts (* in figure at left) securing reservoir tank, and slide reservoir tank downward. AT
- Remove bolt securing bumper side stay. PD

BT

HA

EL

IDX

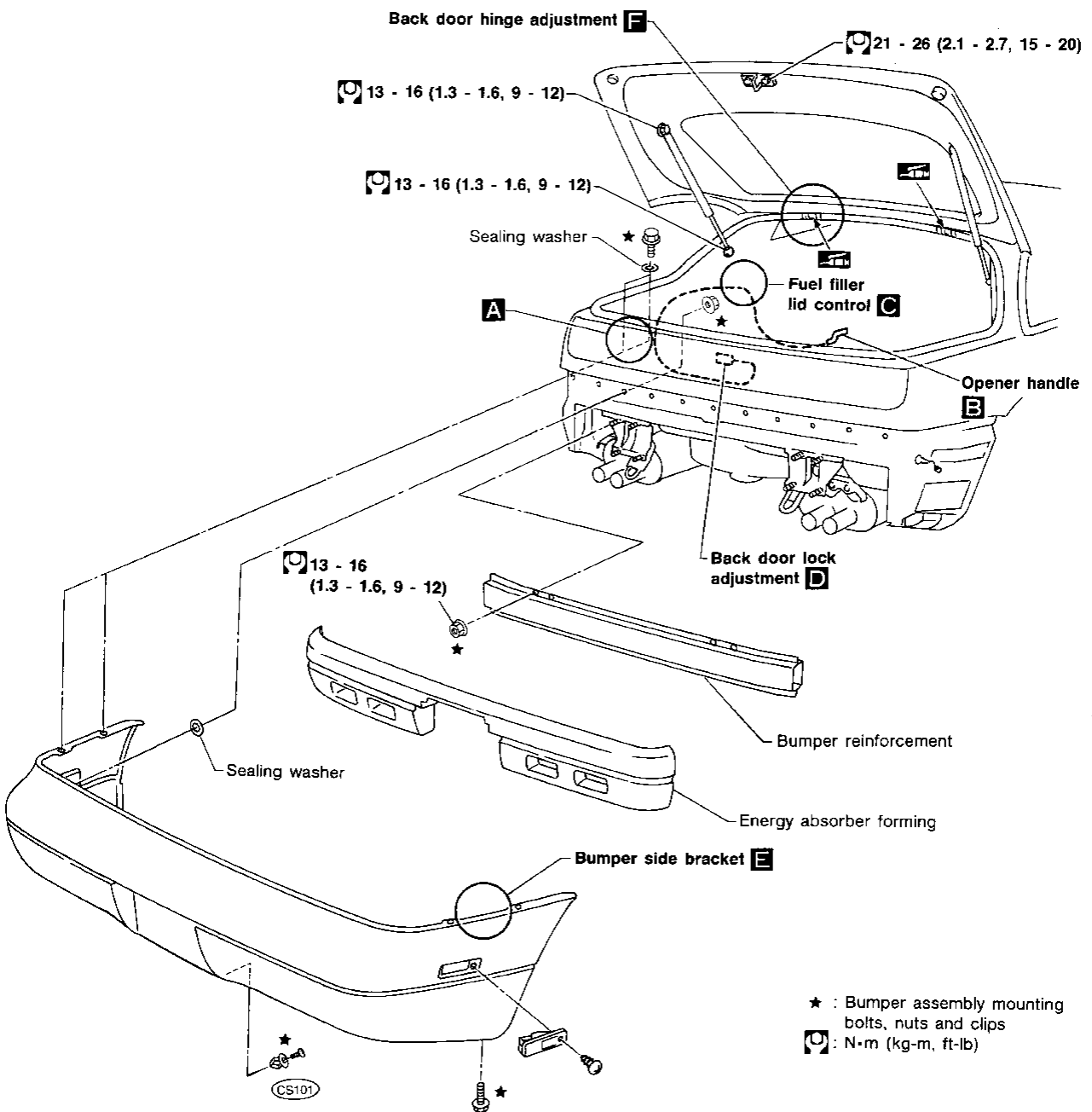
Body Rear End and Opener

- When removing or installing back door, place a cloth or other padding on rear fender. This prevents the vehicle body from being scratched.

BACK DOOR TYPE

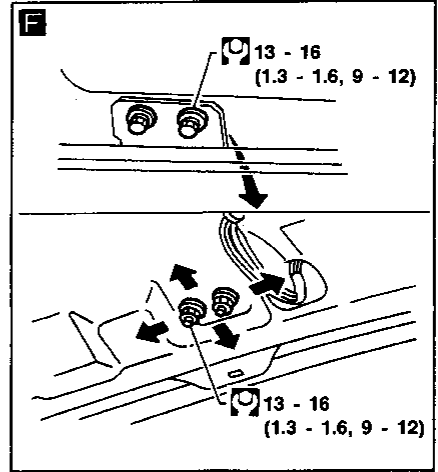
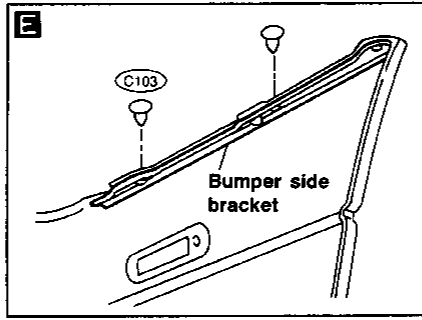
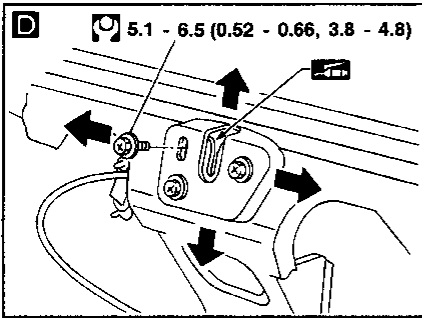
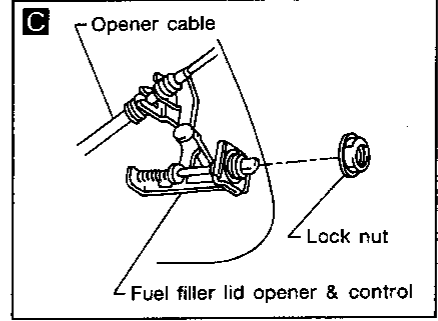
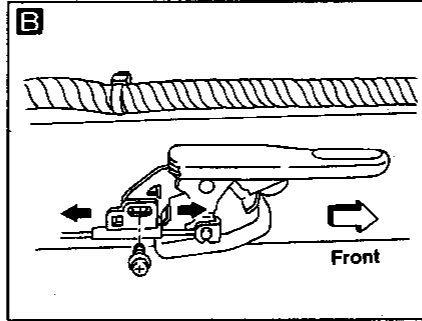
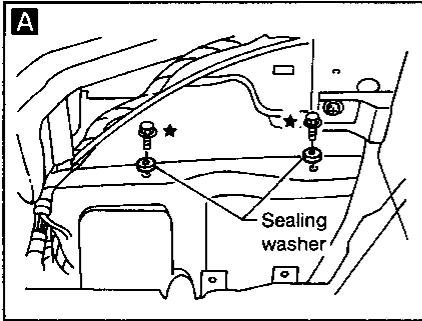
WARNING:

- Be careful not to scratch back door stay when installing back door. A scratched stay may cause gas leakage.
- The contents of the back door stay are under pressure. Do not take apart, puncture, apply heat or allow fire near it.
- Back door adjustment: Adjust at hinge-body portion for proper back door fit.
- Back door lock system adjustment: Adjust lock & striker so that they are in the center. After adjustment, check back door lock operation.
- Opener cable: do not attempt to bend cable using excessive force.
- After installation, make sure that back door and fuel filler lid open smoothly.
- Remove washer tank (located at left of luggage compartment) before removing or installing bumper.



BODY END

Body Rear End and Opener (Cont'd)



★ : Bumper assembly mounting bolts
 [Torque symbol] : N·m (kg-m, ft-lb)

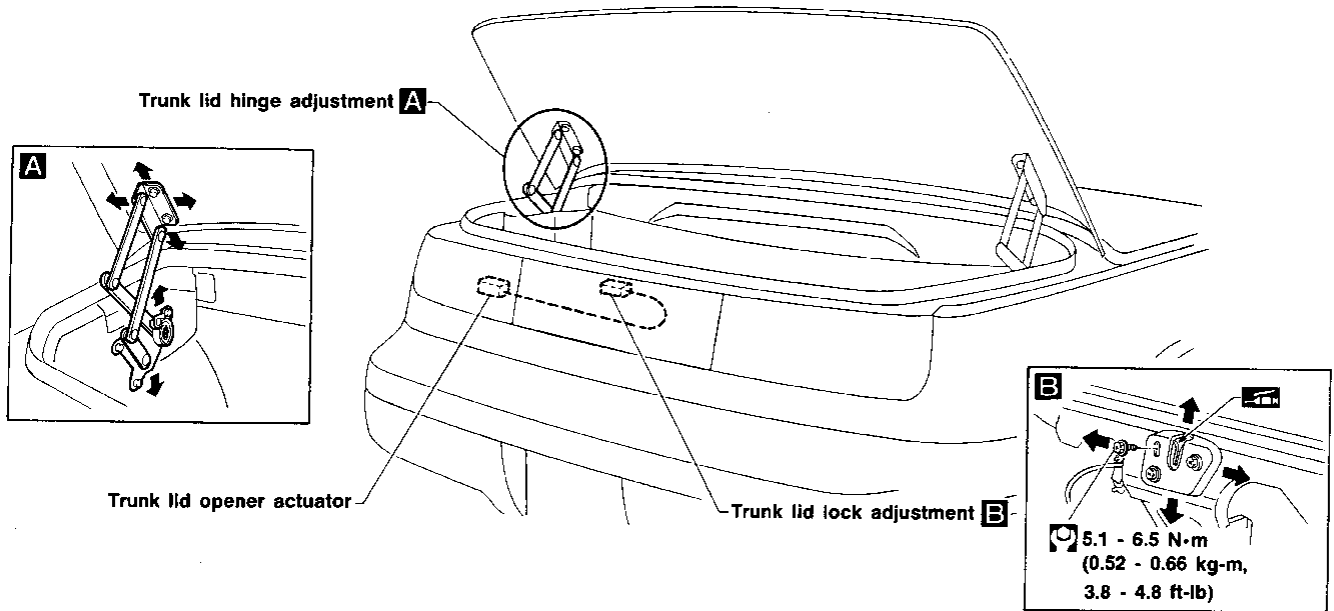
BODY END

Body Rear End and Opener (Cont'd)

TRUNK LID TYPE — Convertible model

- Trunk lid adjustment: Adjust at hinge-trunk lid portion for proper trunk lid fit.
 - Trunk lid lock system adjustment: Adjust striker so that it is in the center of the lock. After adjustment, check trunk lid lock operation.
 - After installing/adjusting opener, make sure that trunk lid and fuel filler lid open smoothly.
- ★ For Wiring Diagram, refer to “FUEL FILLER LID OPENER SYSTEM” in EL section.

GI
MA
EM
LC
EF &
EC
FE
CL
MT
AT
PD
FA
RA
BR
ST
RS
BT
HA
EL
IDX



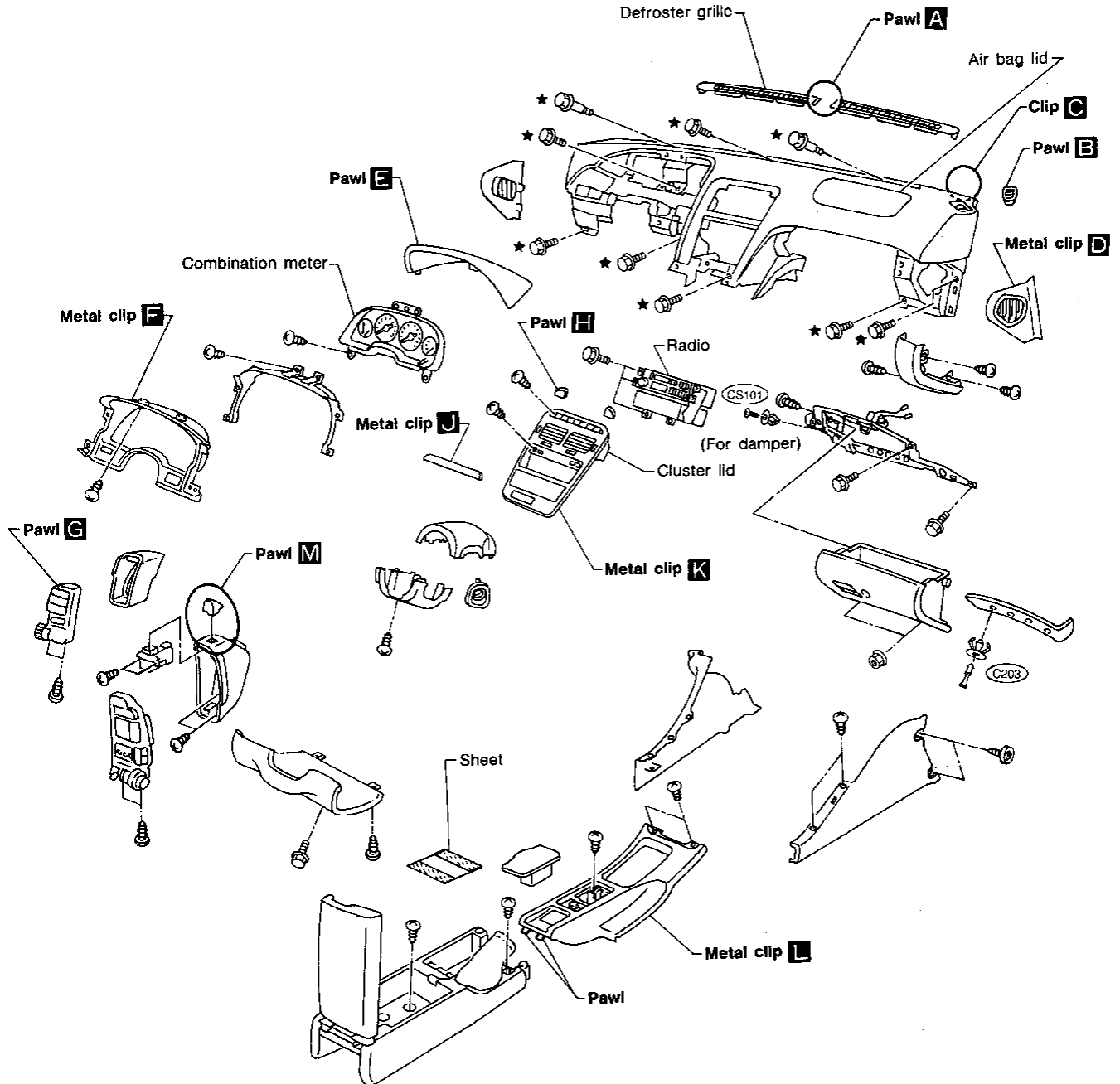
MBT047A

INSTRUMENT PANEL

- When removing instrument panel assembly, remove defroster grille, combination meter, cluster lid and radio first.

CAUTION:

- Disconnect both battery cables in advance and wait for 10 minutes.
- Disconnect air bag system line in advance.
- Never tamper with or force air bag lid open, as this may adversely affect air bag performance.
- Be careful not to scratch pad and other parts.

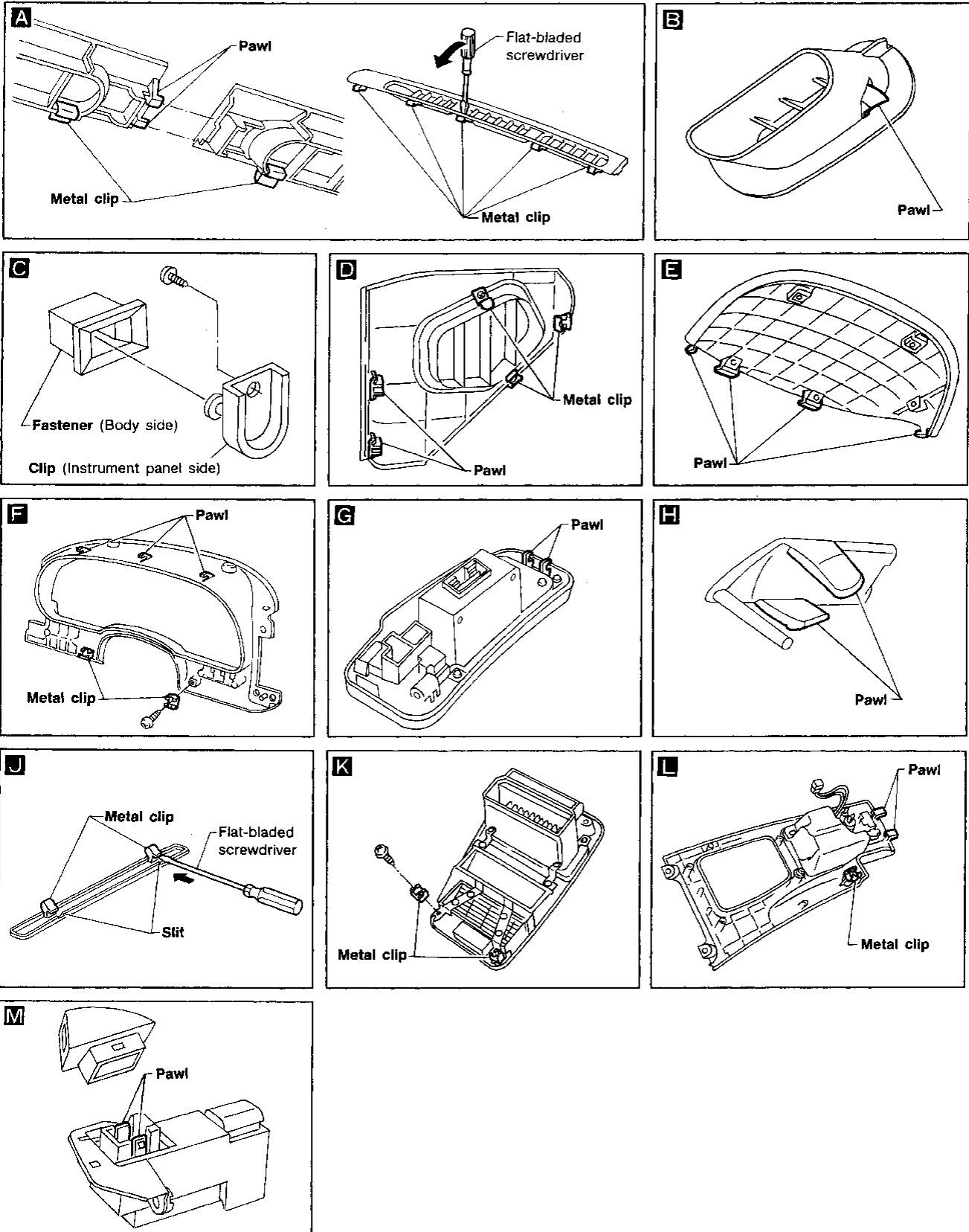


 : Double-faced adhesive tape

★ : Instrument panel assembly mounting bolts

GI
MA
EM
LC
EF & EC
FE
CL
MT
AT
PD
FA
RA
BR
ST
RS
BT
HA
EL
IDX

INSTRUMENT PANEL



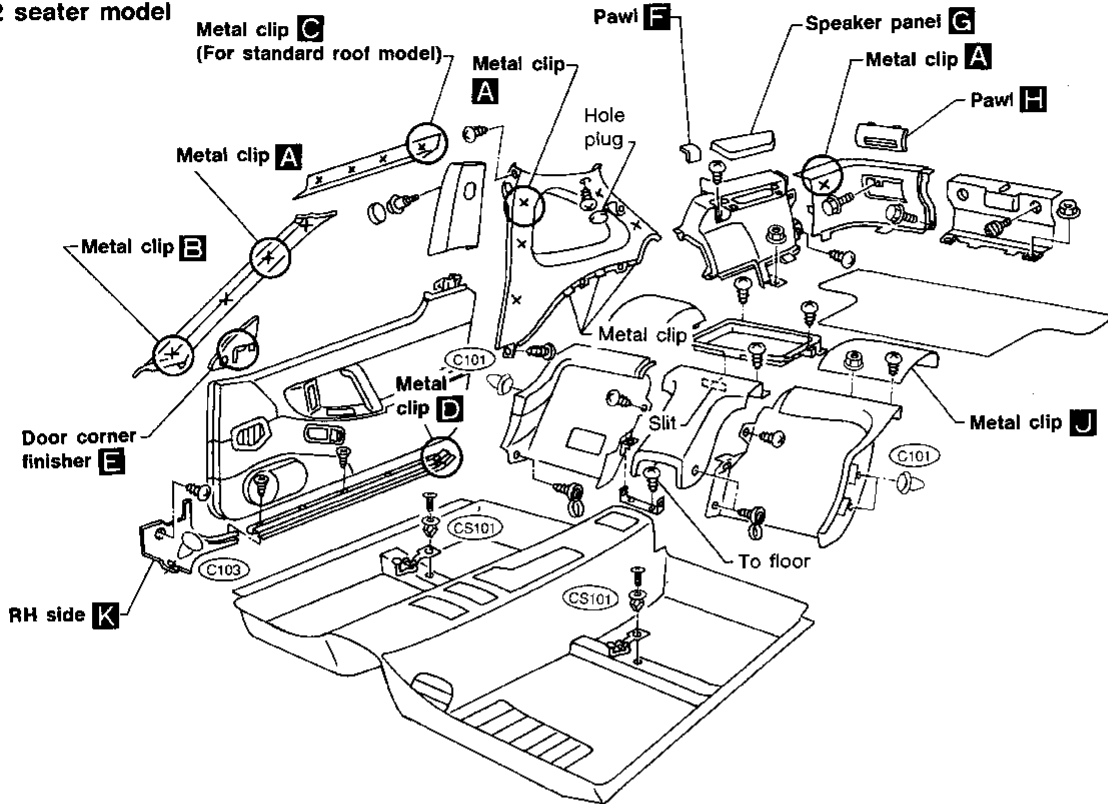
INTERIOR TRIM

Side, Luggage and Floor Trim

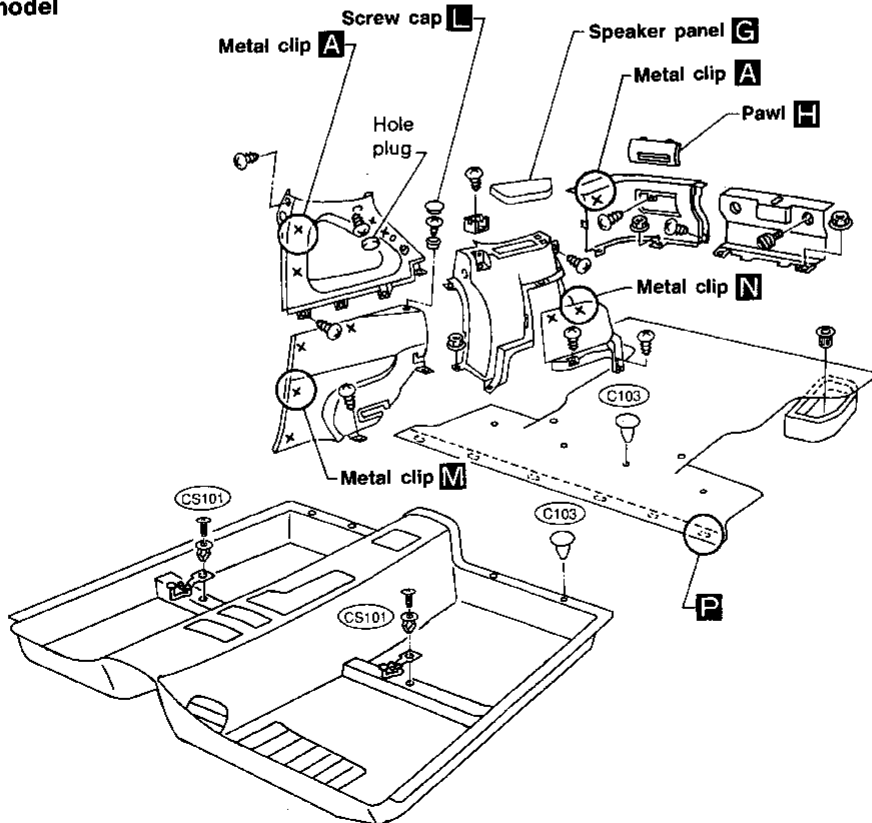
CAUTION:

Wrap the tip of flat-bladed screwdriver with a cloth or tape when removing various parts to prevent scratches.

2 seater model



2 + 2 seater model



GI

MA

EM

LC

EF &
EC

FE

CL

MT

AT

PD

FA

RA

BR

ST

RS

BT

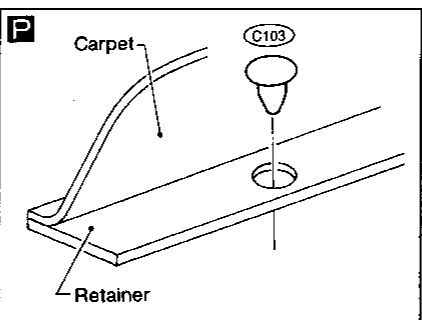
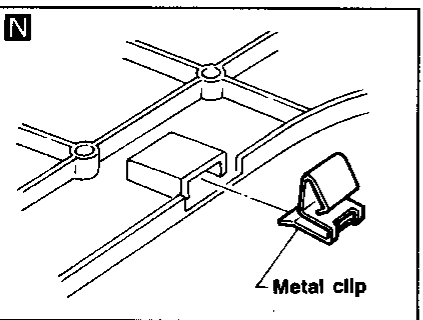
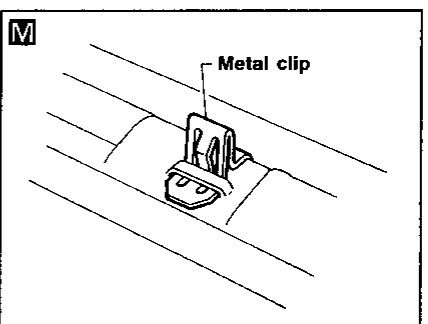
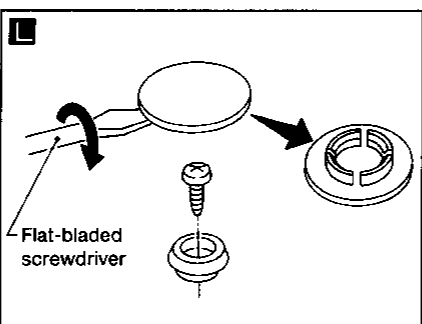
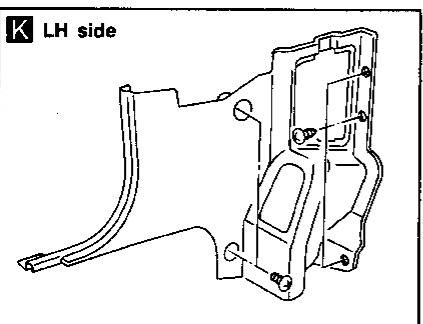
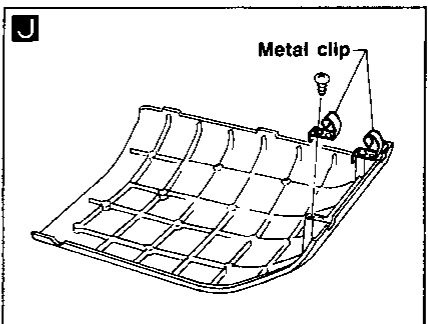
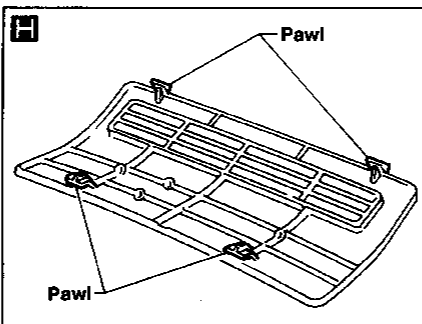
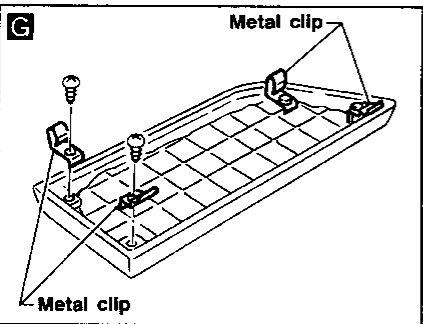
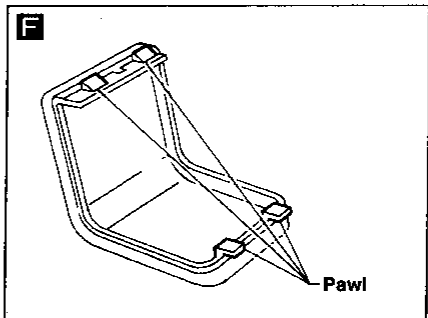
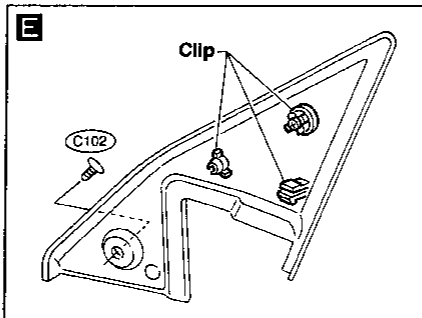
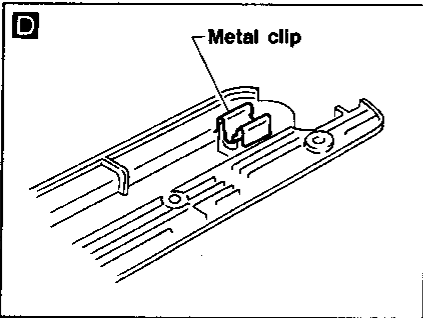
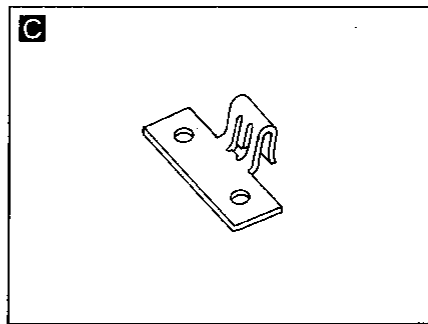
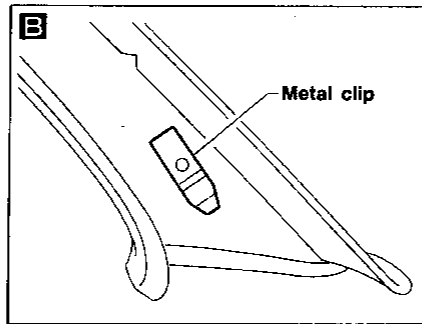
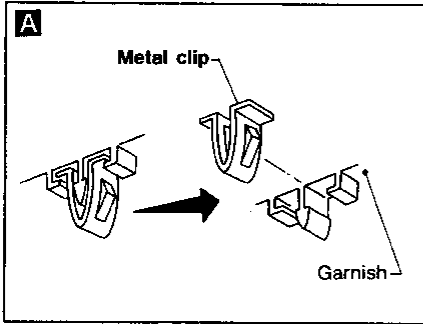
HA

EL

IDX

INTERIOR TRIM

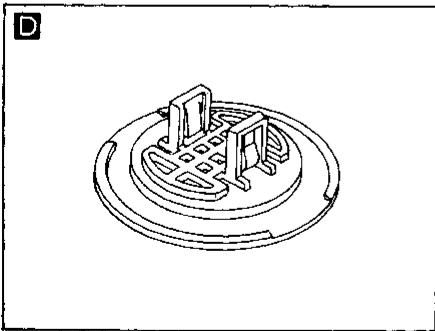
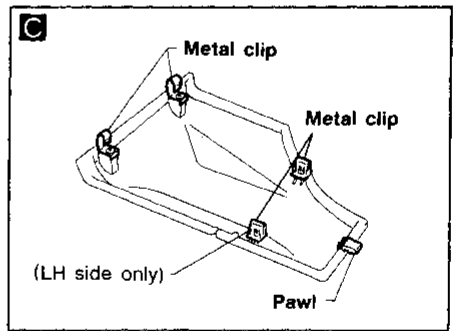
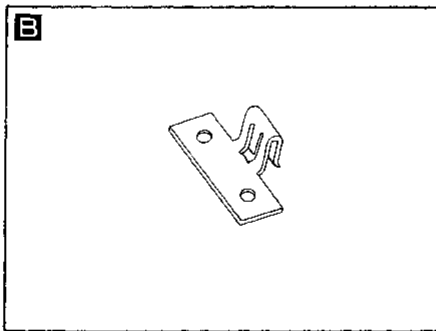
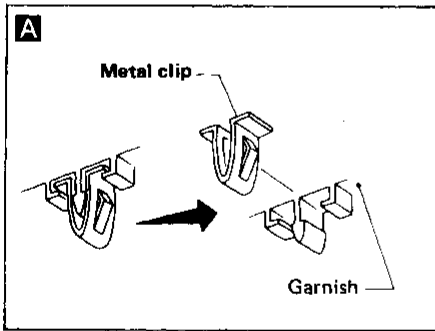
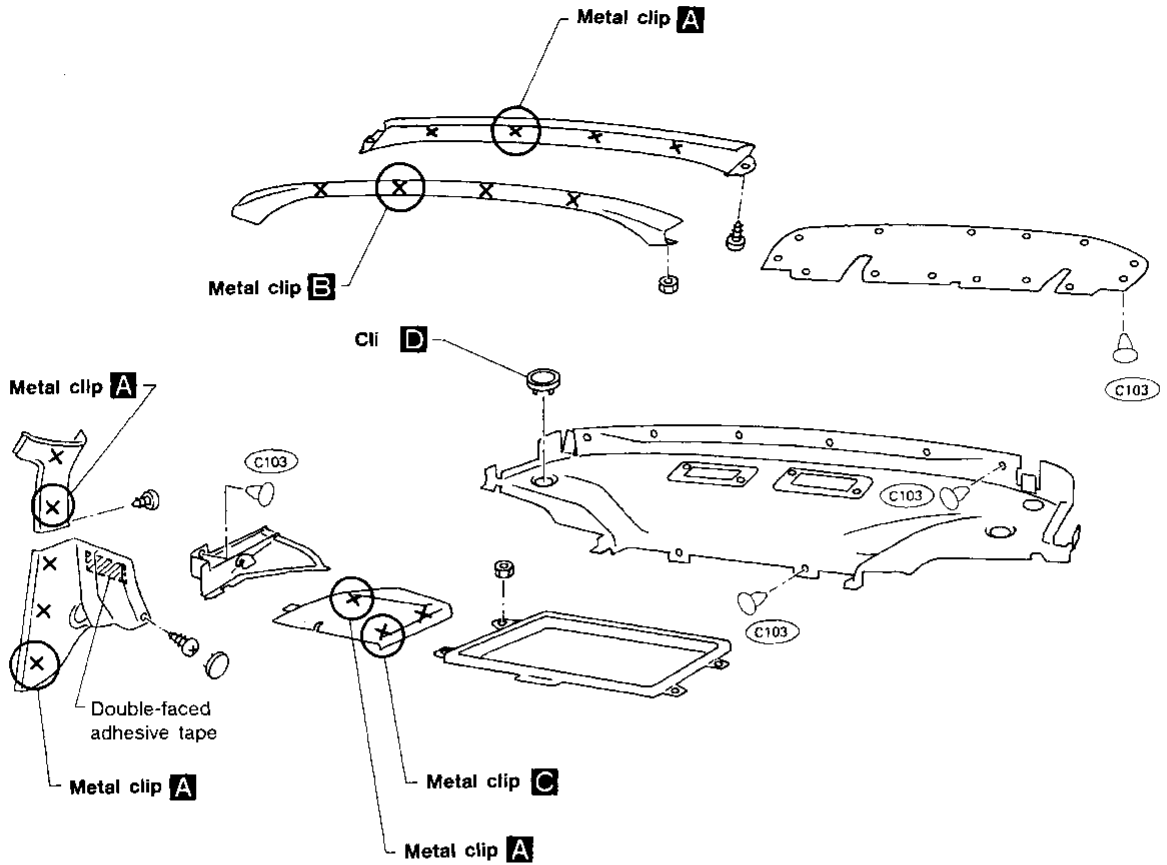
Side, Luggage and Floor Trim (Cont'd)



INTERIOR TRIM

Side, Luggage and Floor Trim (Cont'd)

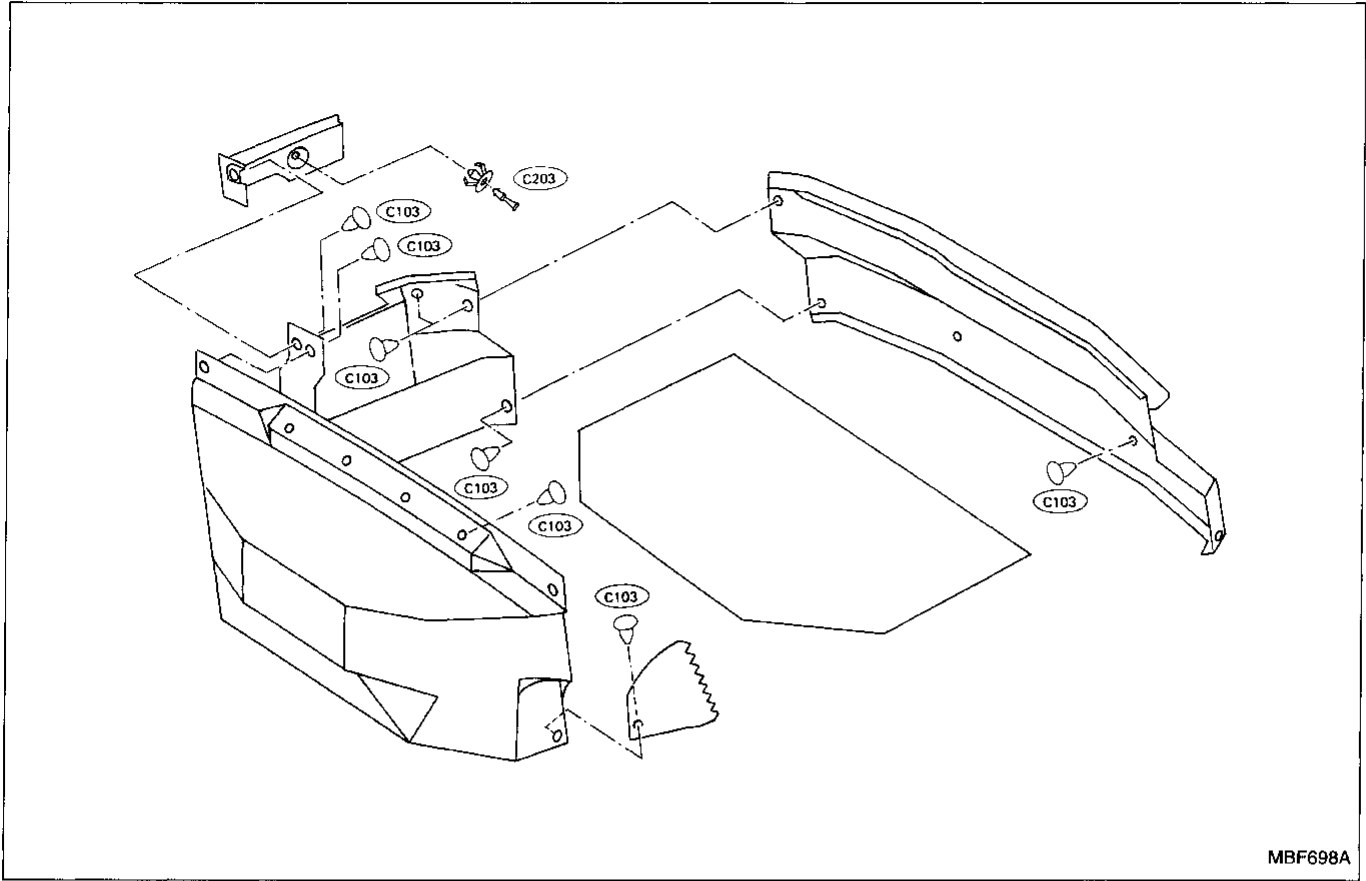
Convertible model



GI
MA
EM
LC
EF & EC
FE
CL
MT
AT
PD
FA
RA
BR
ST
RS
BT
HA
EL
IDX

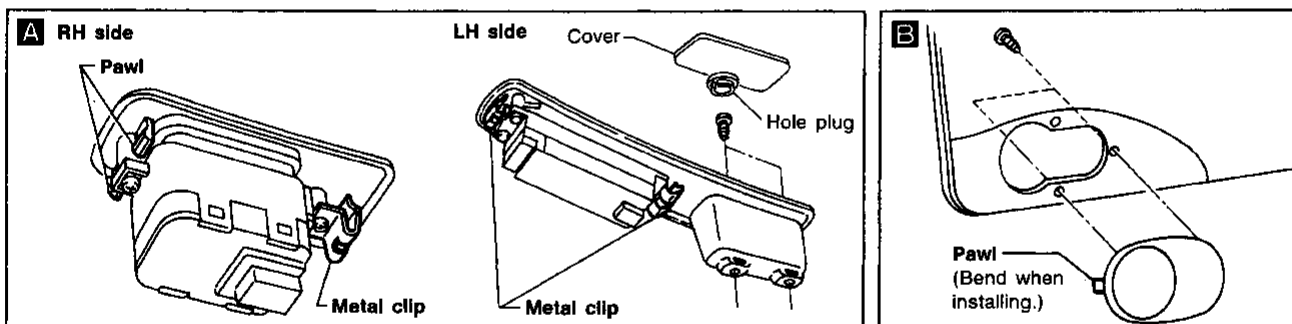
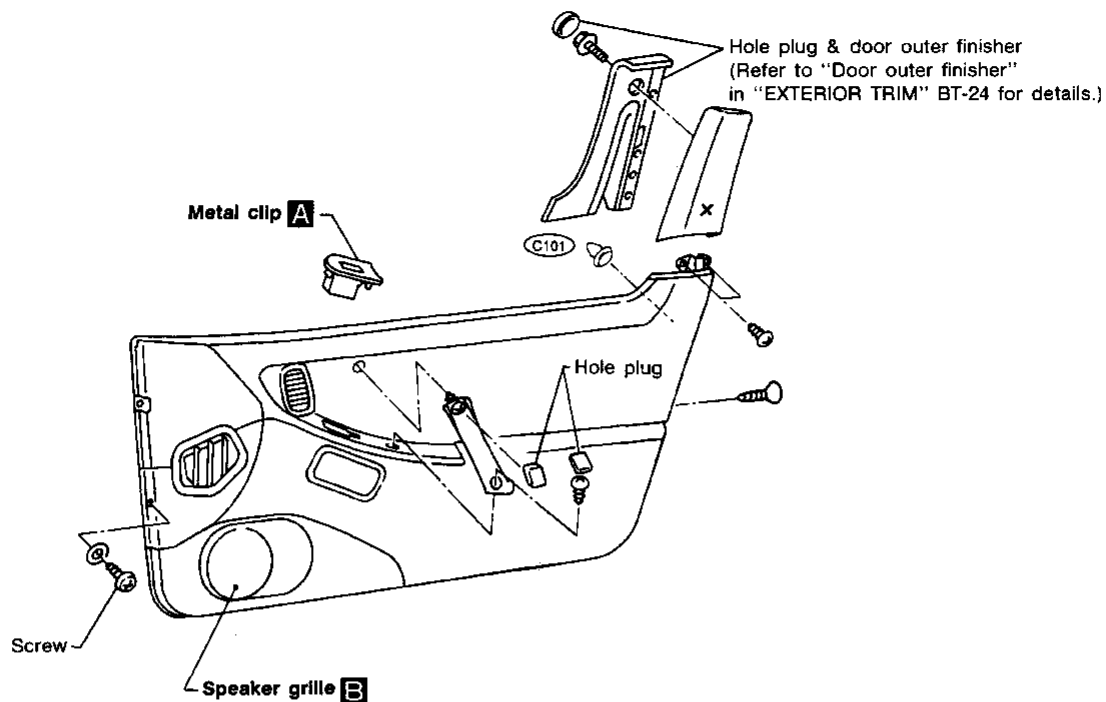
INTERIOR TRIM

Trunk Room Trim — Convertible model



INTERIOR TRIM

Door Trim



GI

MA

EM

LC

EF &
EC

FE

CL

MT

AT

PD

FA

RA

BR

ST

RS

BT

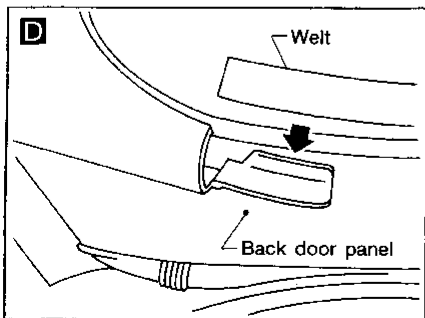
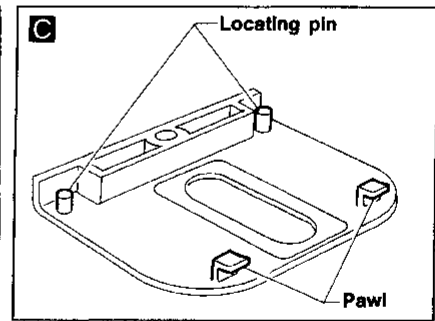
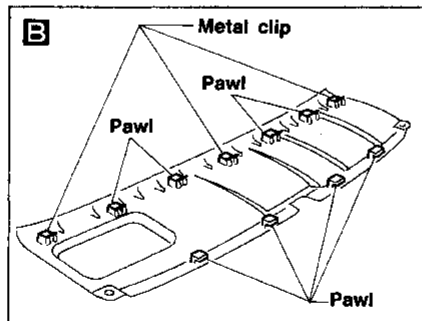
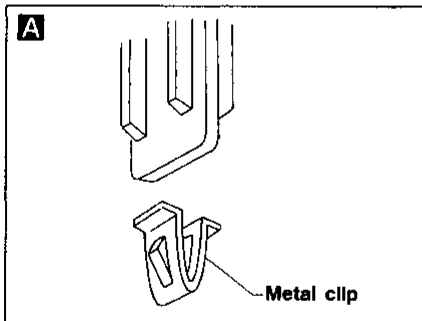
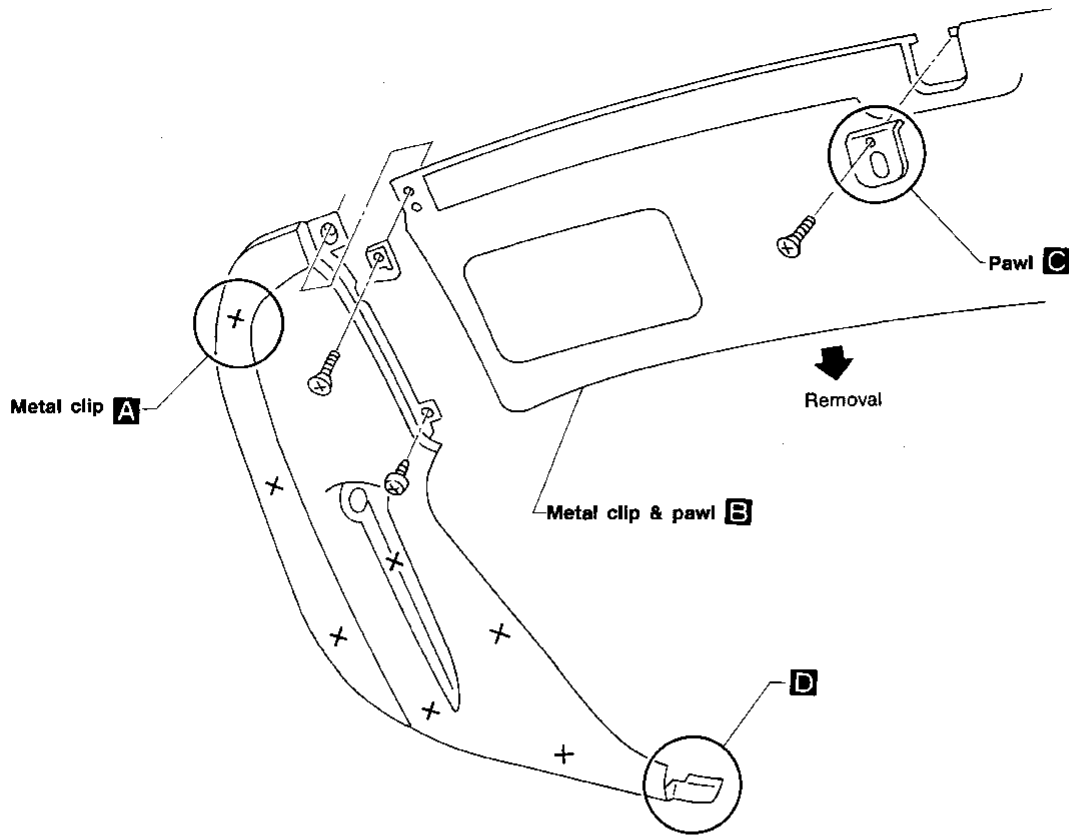
HA

EL

IDX

INTERIOR TRIM

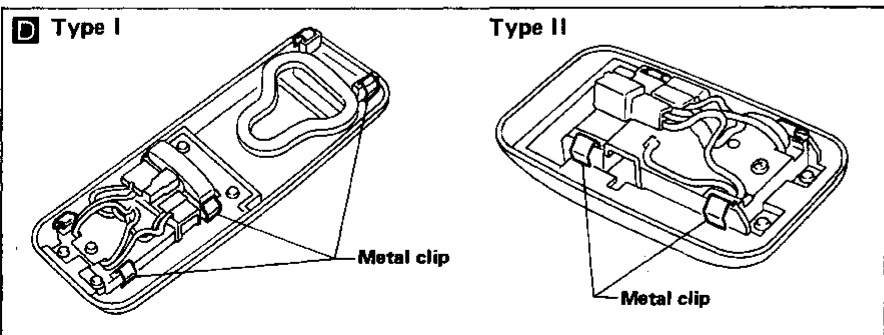
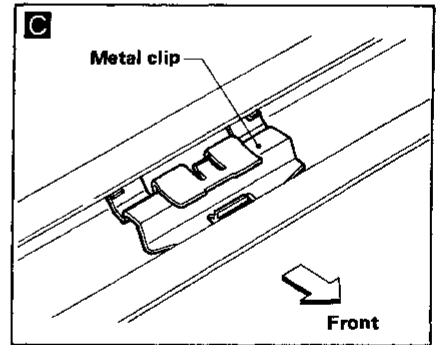
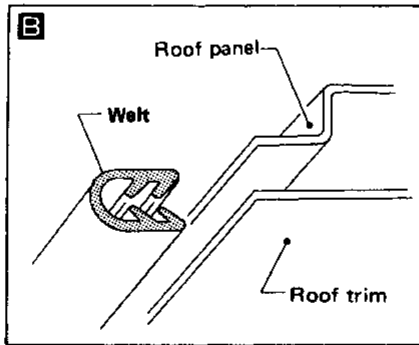
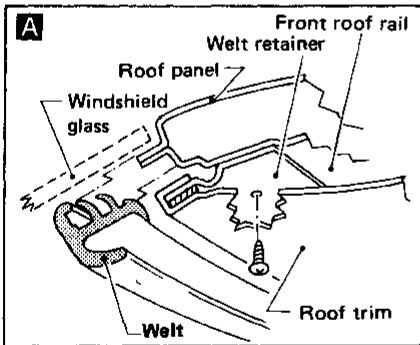
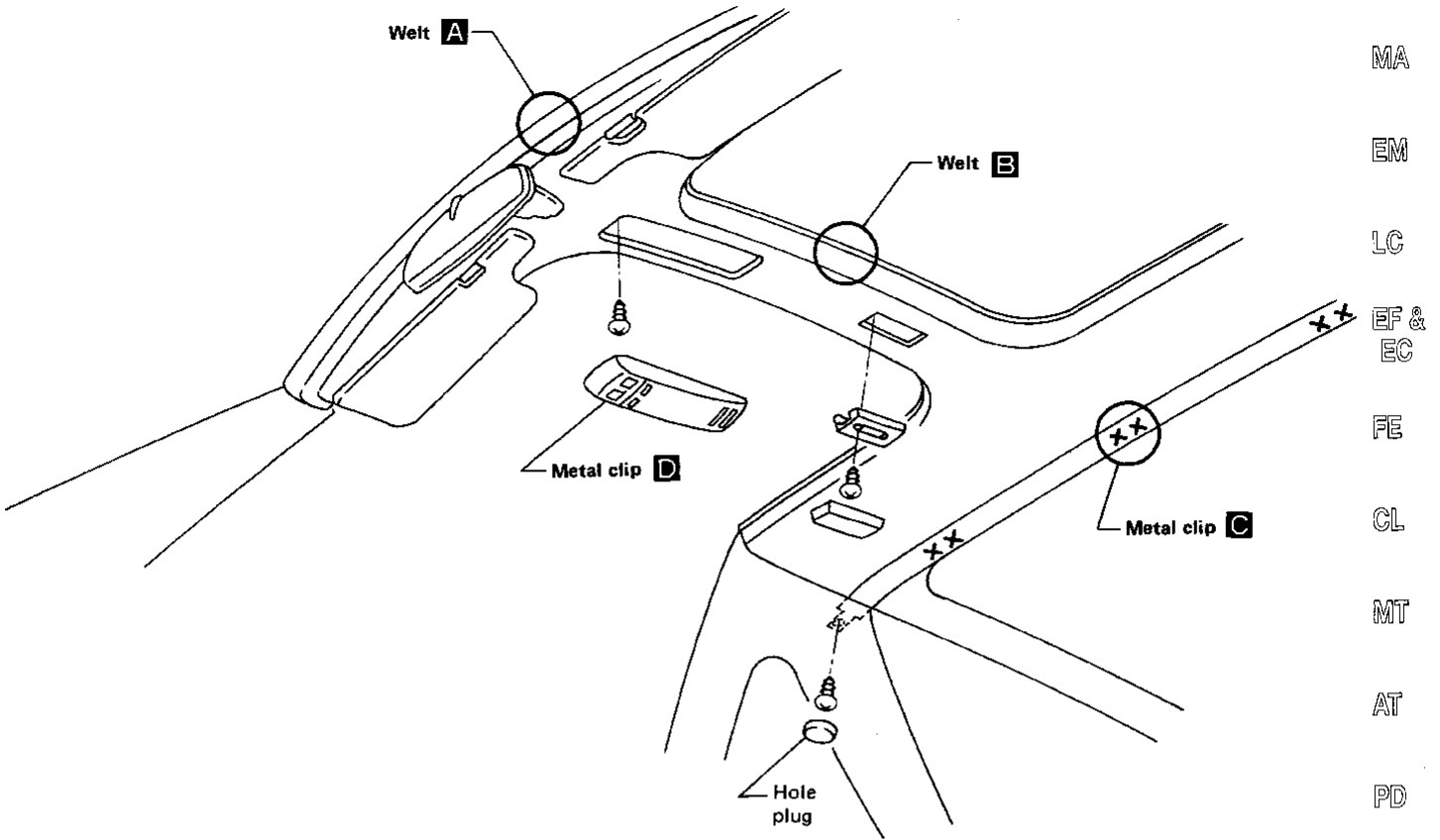
Back Door Trim — Standard model



INTERIOR TRIM

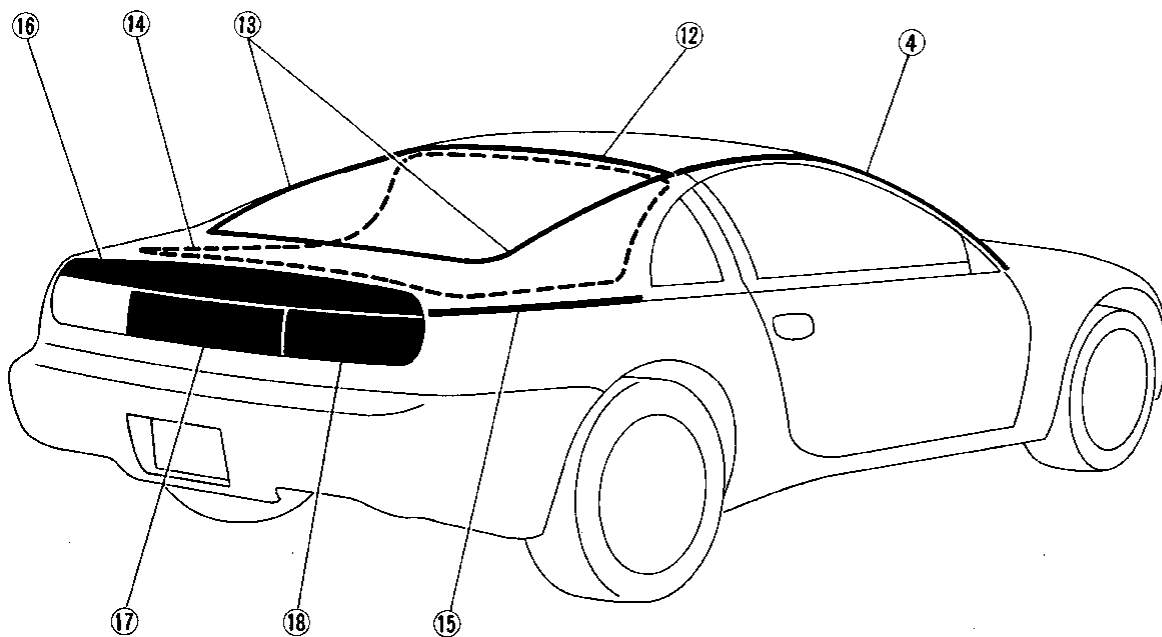
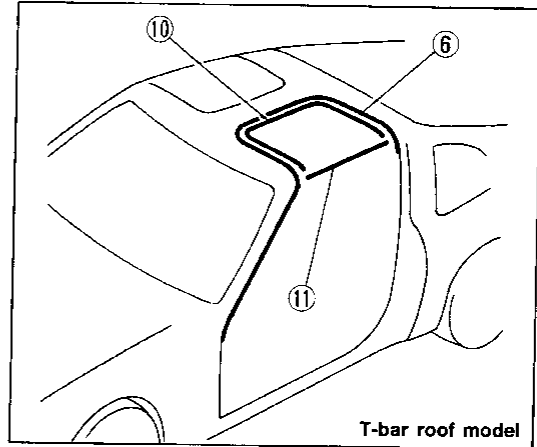
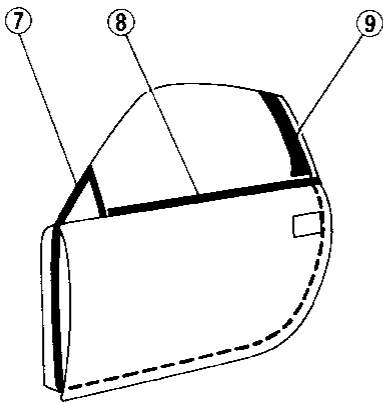
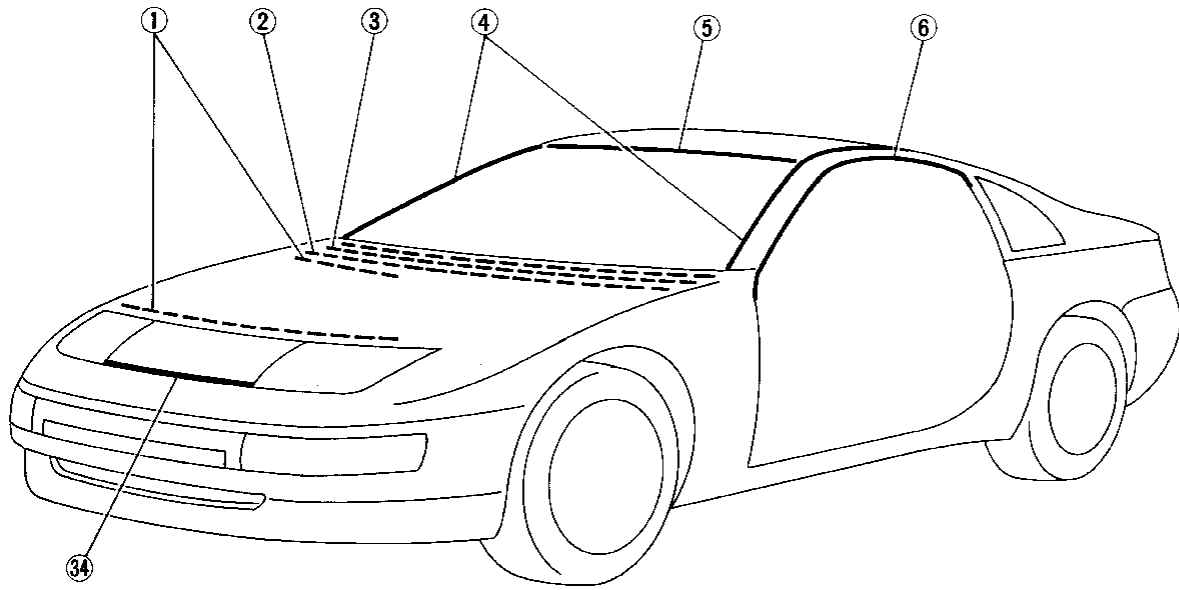
Roof Trim — T-bar roof model

GI
MA
EM
LC
EF &
EC
FE
CL
MT
AT
PD
FA
RA
BR
ST
RS
BT
HA
EL
IDX



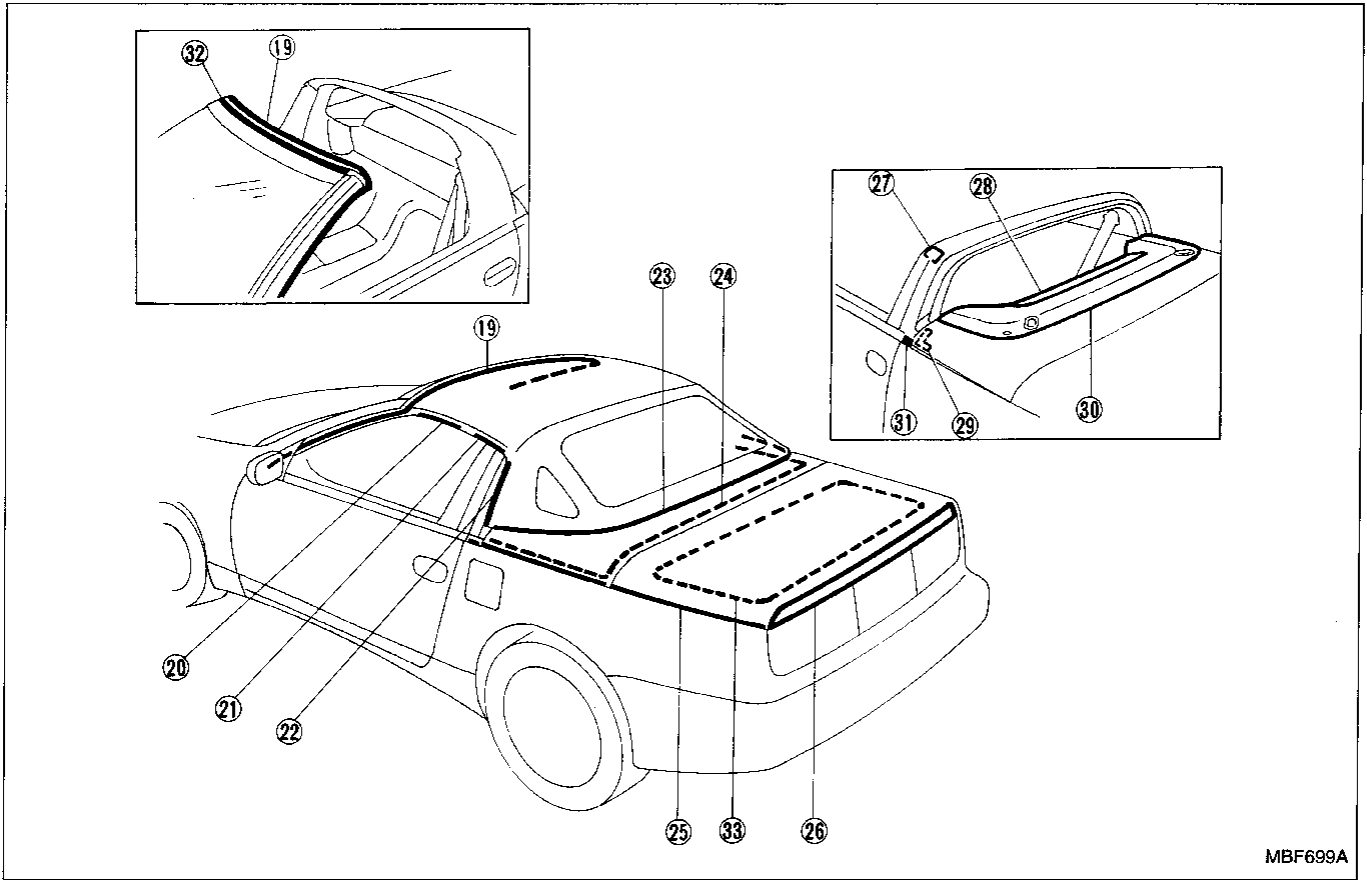
EXTERIOR TRIM

Standard model



EXTERIOR TRIM

Convertible model



GI

MA

EM

LC

EF &
EC

FE

CL

MT

AT

PD

FA

RA

BR

ST

RS

BT

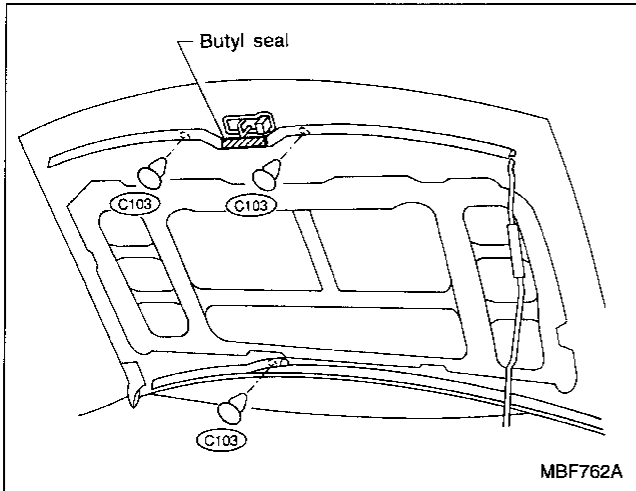
HA

EL

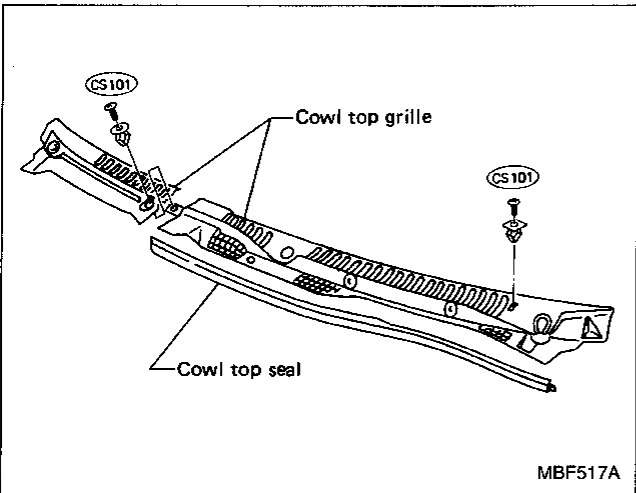
IDX

EXTERIOR TRIM

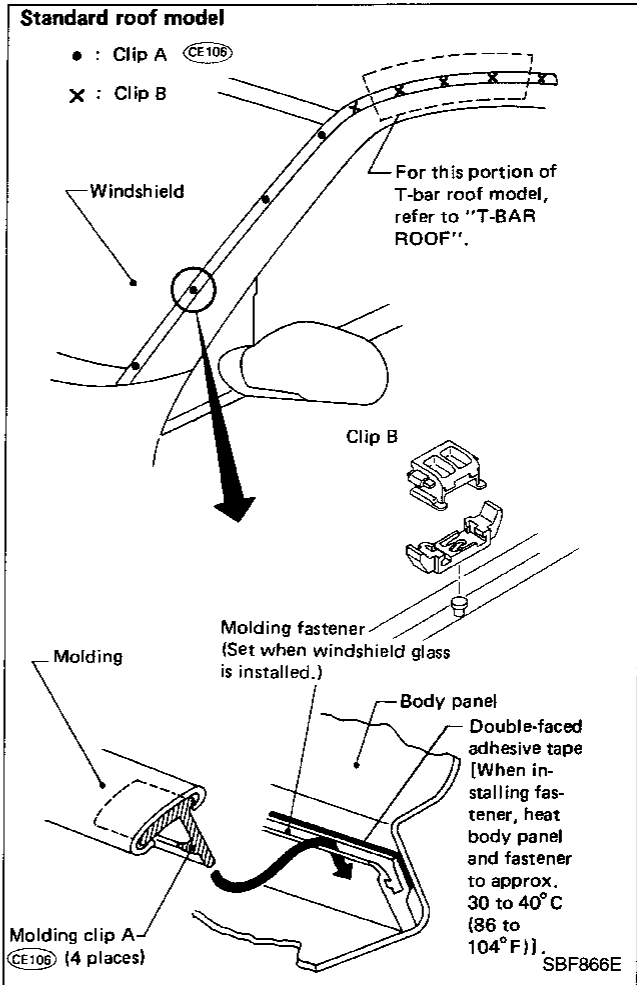
① Hood front and rear seal



② ③ Cowl top seal and cowl top grille



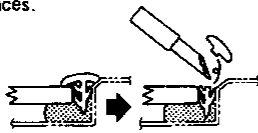
④ Windshield side molding



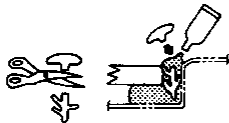
⑤ Windshield upper molding

Method 1

Cut off top portion of molding and clean glass and panel surfaces.



Apply sealant to top portion of molding.



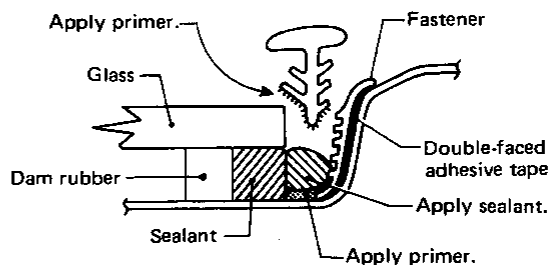
Cut off lower portion of new molding



Finish well to give it a good appearance.

Method 2

1. Cut off sealant at glass end.
2. Clean the side on which panel was mounted.
3. Set molding fastener and apply sealant & primer to body panel, and apply primer to molding.

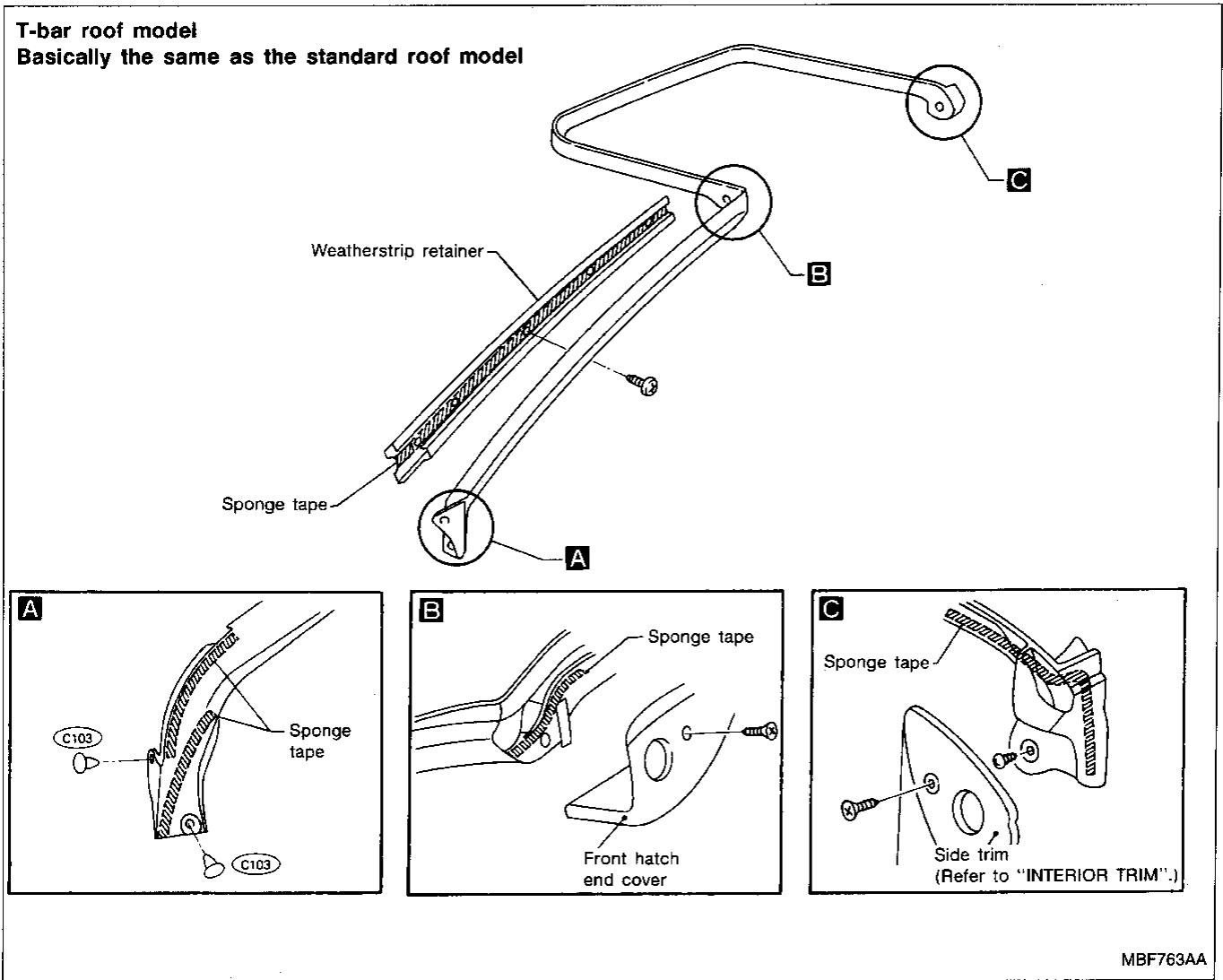


4. Install molding by aligning the molding mark located on center with vehicle center. Be sure to install tightly so that there is no gap around the corner.

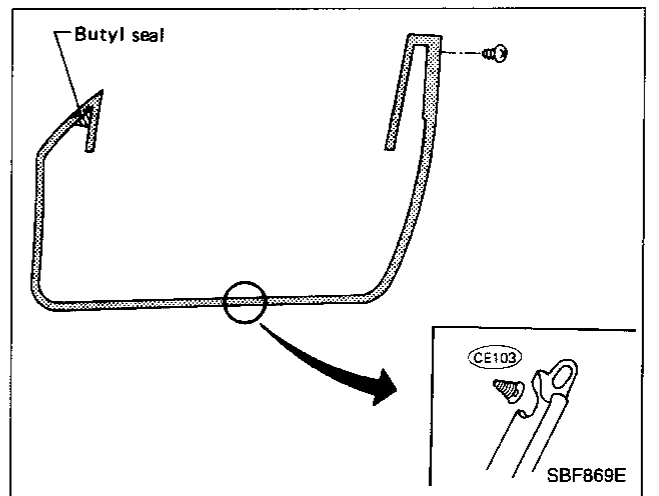
MBF690A

EXTERIOR TRIM

⑥ Body side weatherstrip

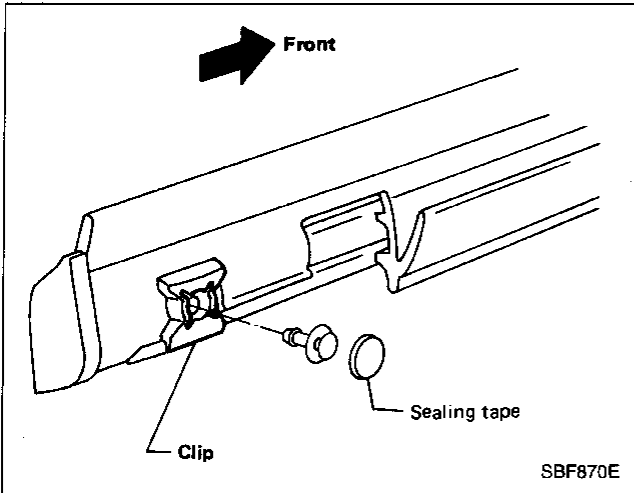


⑦ Door weatherstrip

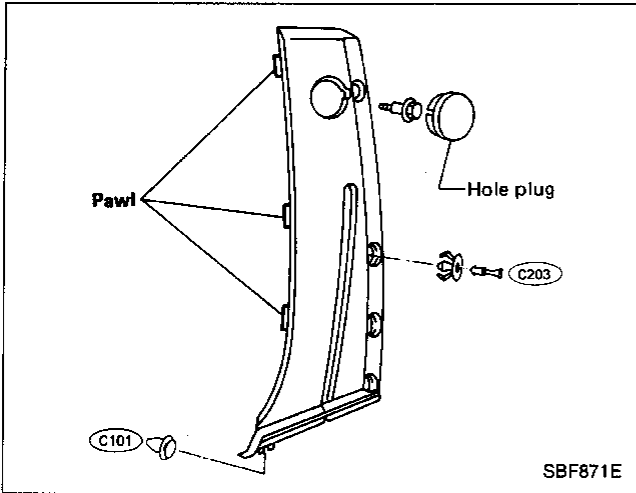


GI
MA
EM
LC
EF &
EC
FE
CL
MT
AT
PD
FA
RA
BR
ST
RS
BT
HA
EL
IDX

⑧ Door out side molding



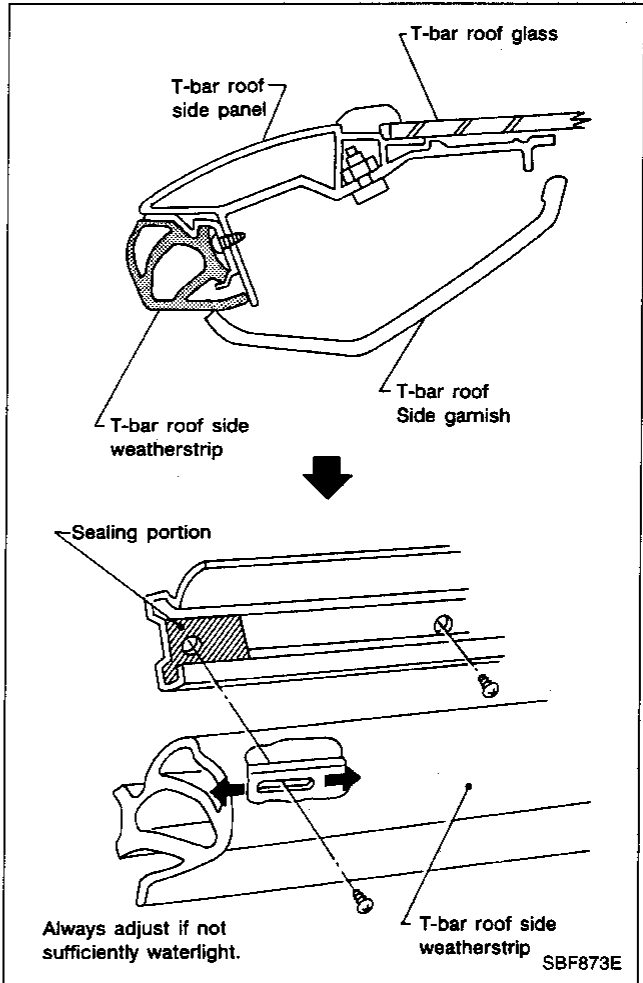
⑨ Door outer finisher



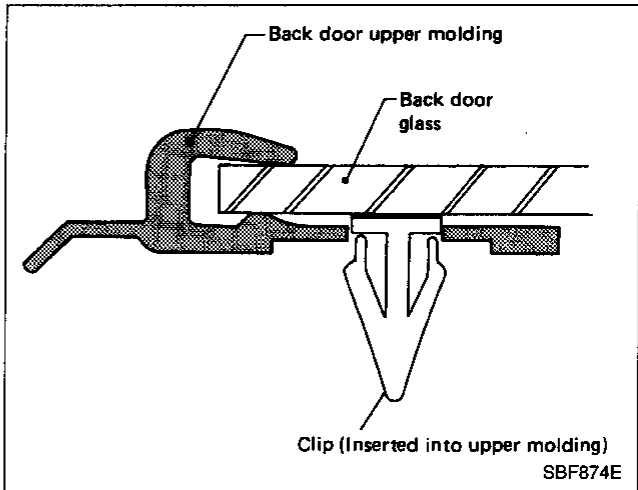
⑩ T-bar roof sash and T-bar roof weatherstrip

These are part of the T-bar roof glass and cannot be removed. (Refer to "T-BAR ROOF", BT-29 for details.)
If they are damaged, replace entire T-bar roof glass assembly.

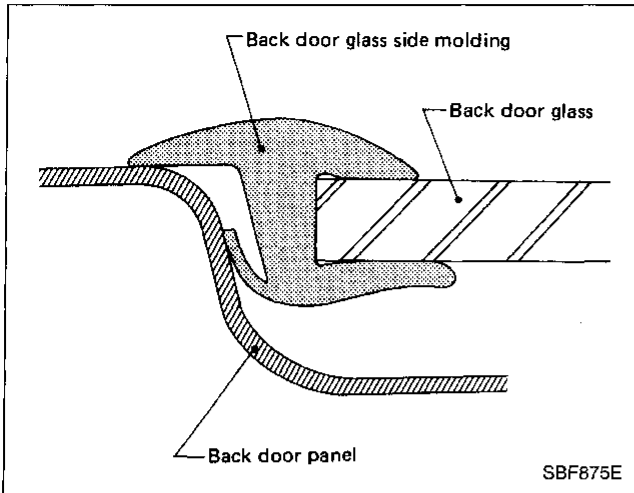
⑪ T-bar roof side weatherstrip



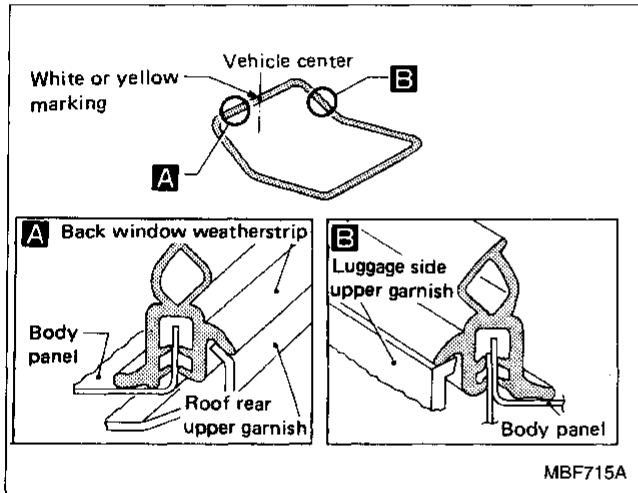
⑫ Back door glass upper molding



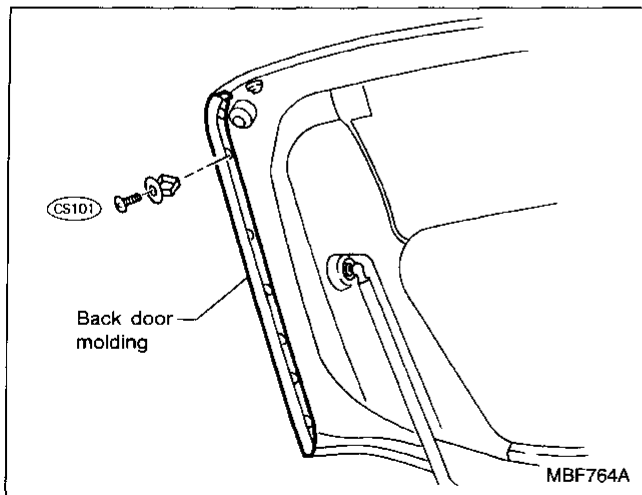
13 Back door glass side molding



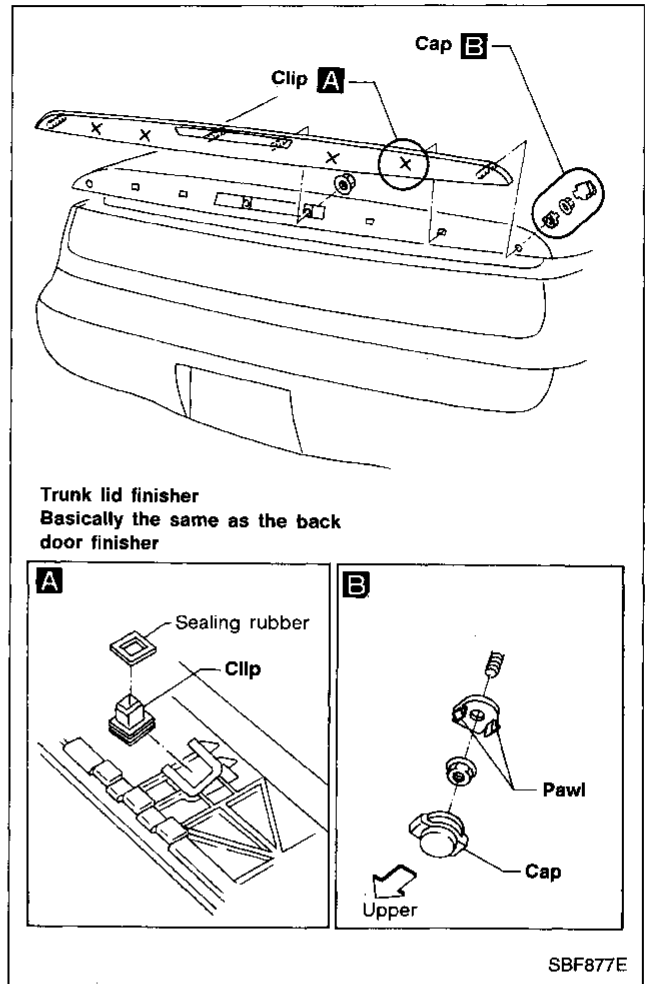
14 Back door weatherstrip



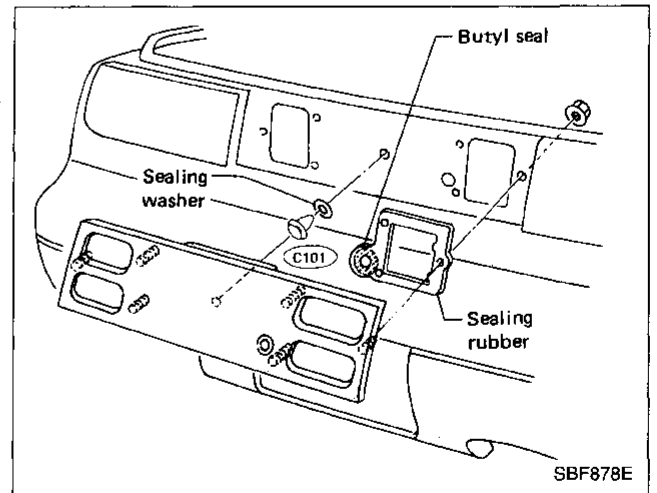
15 Back door molding



16 26 Back door finisher and trunk lid finisher



17 Rear panel finisher



CI

MA

EM

LC

EF &
EC

FE

CL

MT

AT

PD

FA

RA

BR

ST

RS

BT

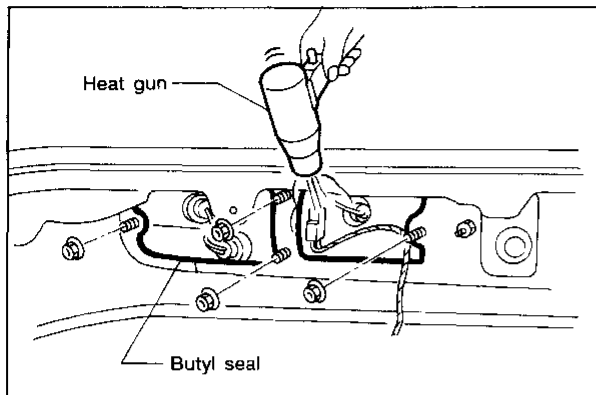
HA

EL

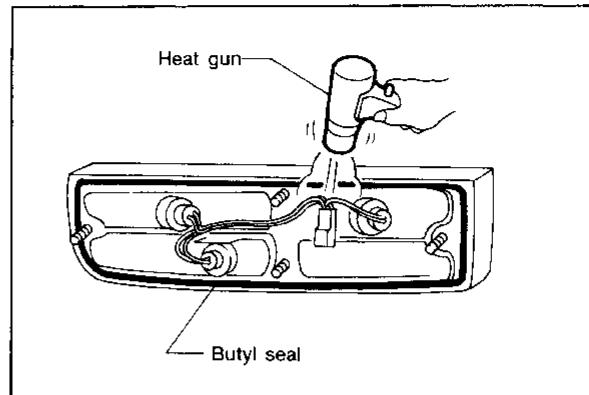
IDX

EXTERIOR TRIM

18 Rear combination lamp



- Warm up lamp assembly area to a temperature a little below 60°C (140°F).

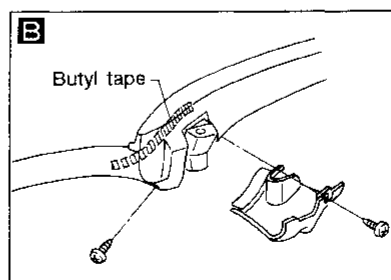
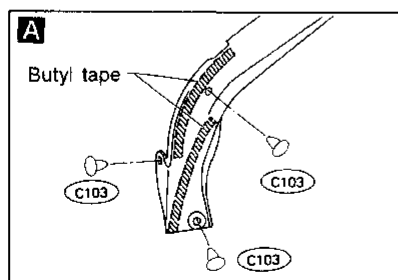
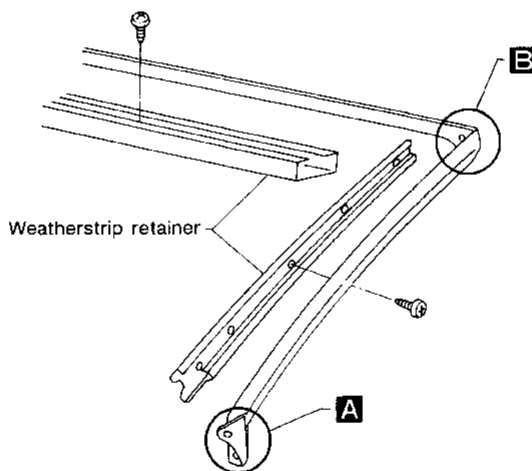


- Apply butyl seal evenly as it tends to become thin in the corners.
- Warm up lamp assembly area to a temperature a little below 60°C (140°F).

SBF886E

19 Body side weatherstrip

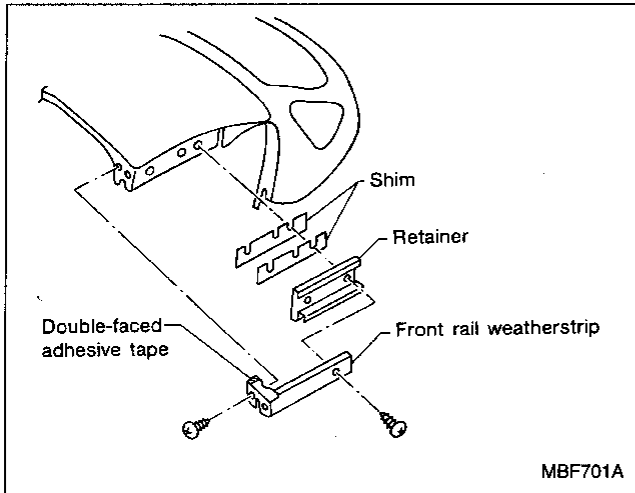
Convertible model



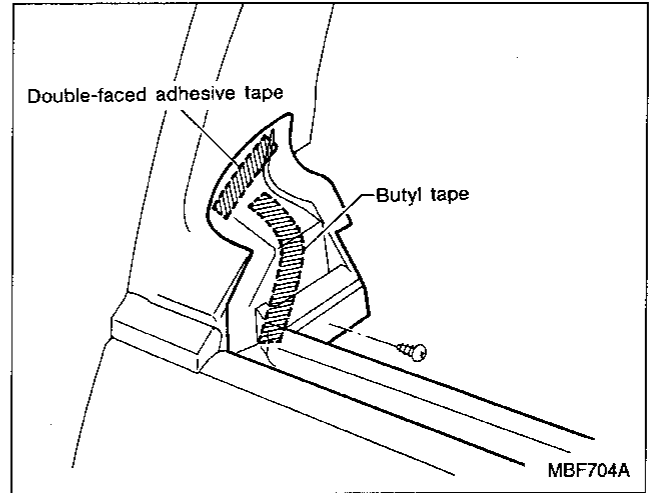
MBF700A

EXTERIOR TRIM

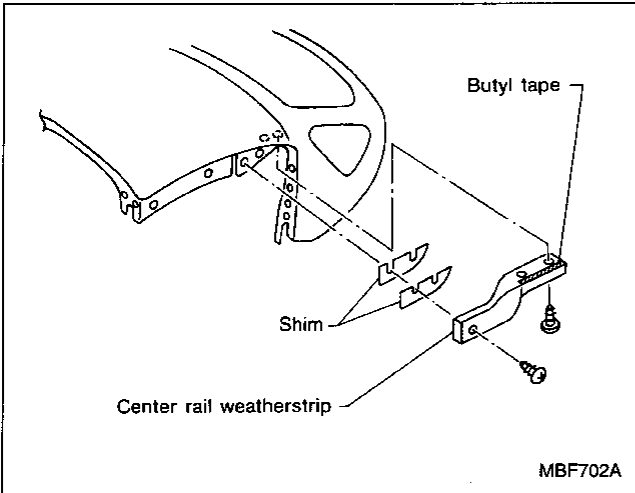
20 Front rail weatherstrip



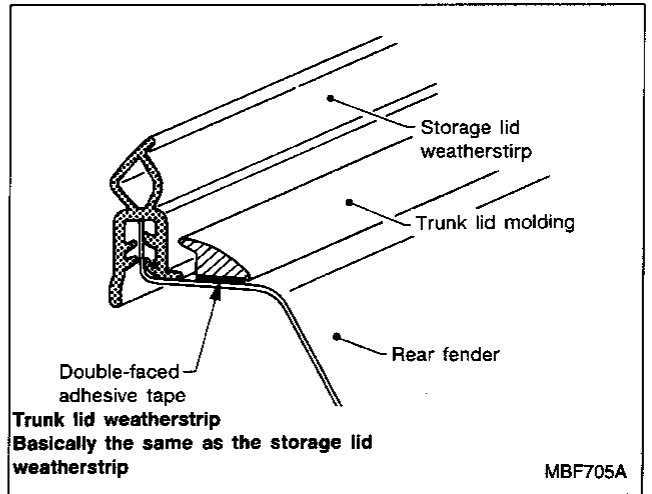
24 Storage lid weatherstrip



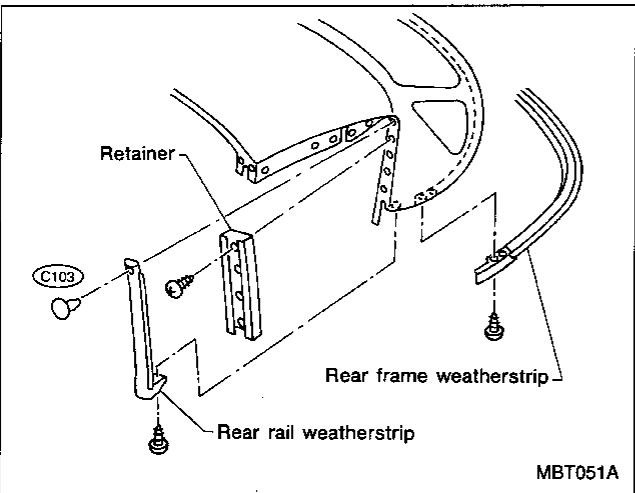
21 Center rail weatherstrip



25 33 Trunk lid molding and Trunk lid weatherstrip



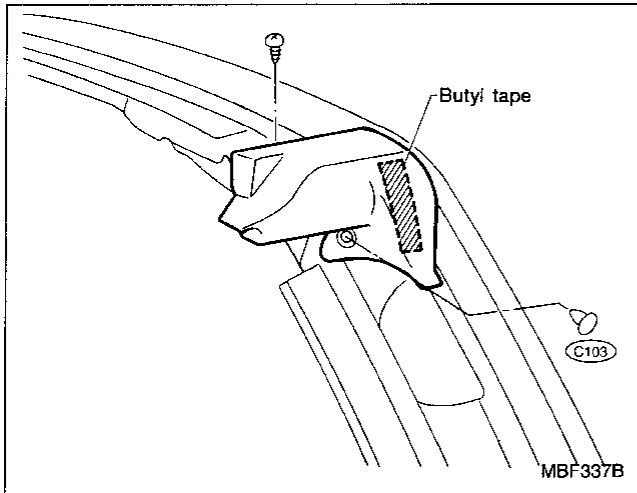
22 23 Rear rail weatherstrip and rear frame weatherstrip



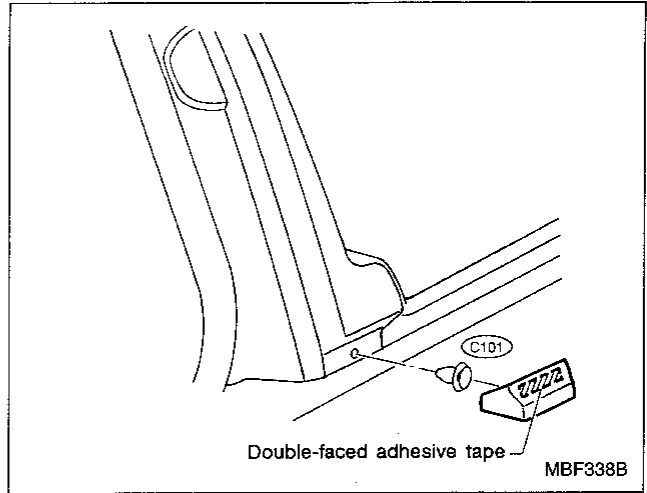
GI
MA
EM
LC
EF &
EC
FE
CL
MT
AT
PD
FA
RA
BR
ST
RS
BT
HA
EL
IDX

EXTERIOR TRIM

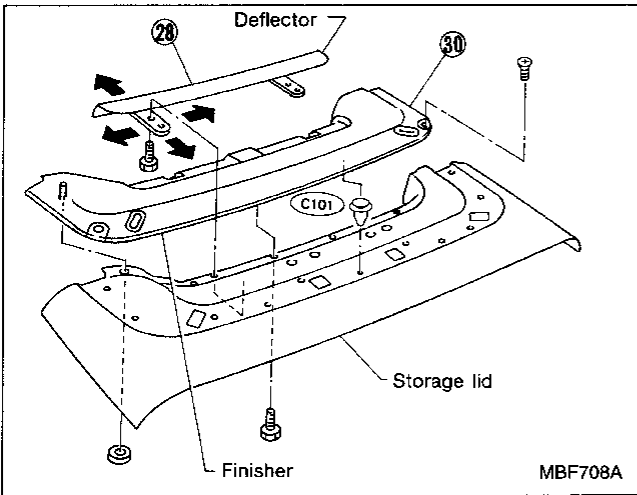
27 Body side rear weatherstrip



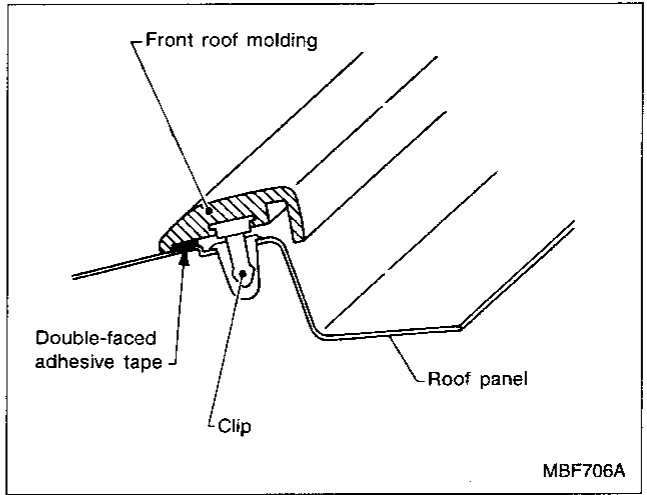
31 Center pillar molding



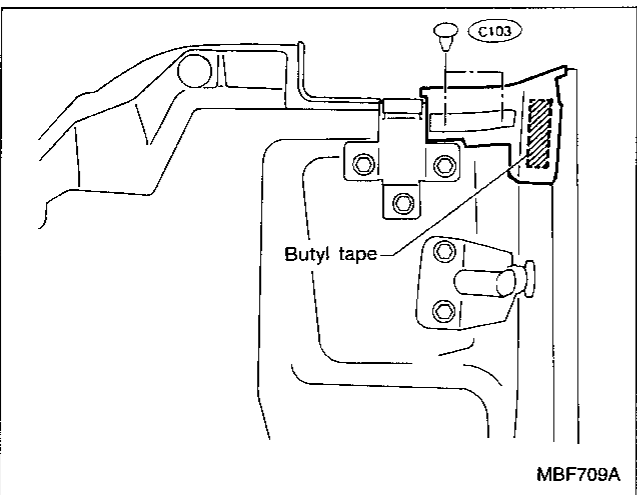
28 30 Storage lid deflector and finisher



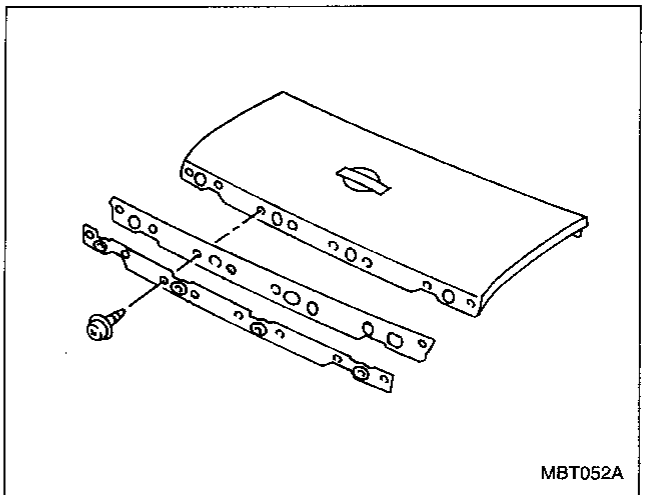
32 Front roof molding



29 Storage lid corner seal

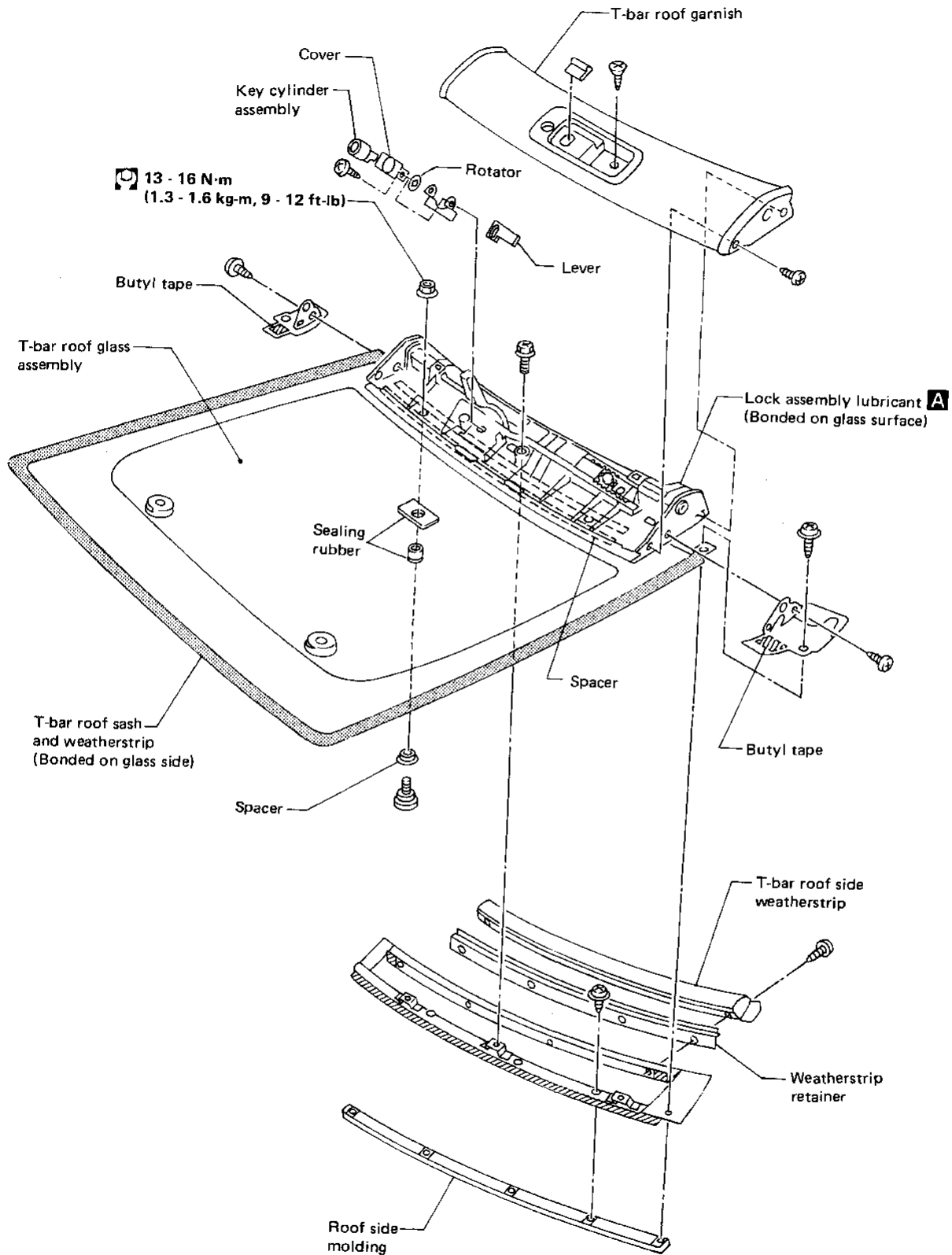


34 Front panel finisher



T-BAR ROOF

- Handle T-bar roof glass with care so not to damage it.
- Apply sealant to portions susceptible to water leakage if necessary.
- Side molding, sash, lock basement and glass of T-bar roof constitute one unit and cannot be disassembled.



GI

MA

EM

LC

EF &
EC

FE

CL

MT

AT

PD

FA

RA

BR

ST

RS

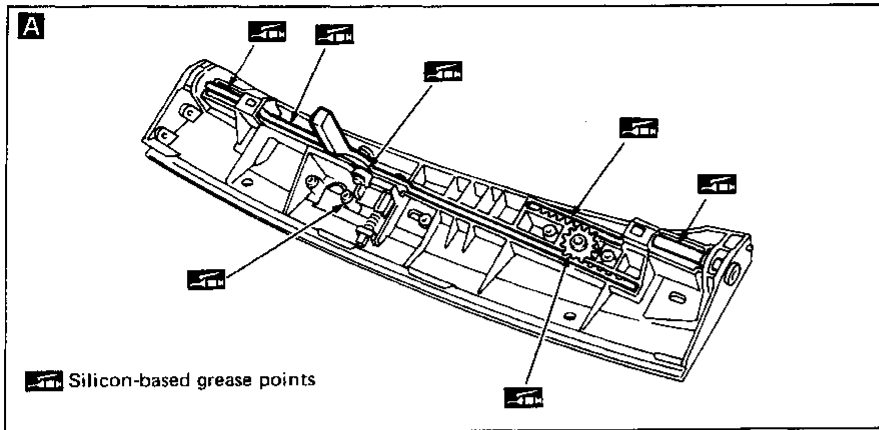
BT

HA

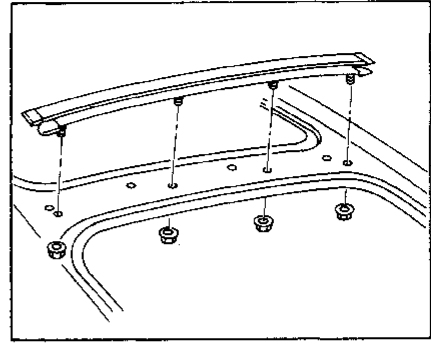
EL

IDX

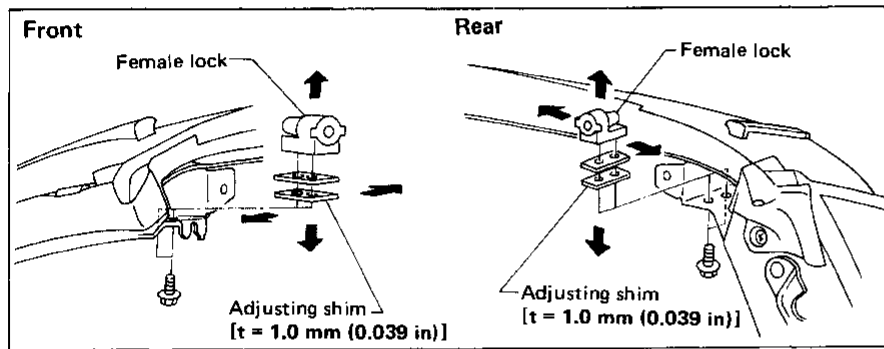
T-BAR ROOF



T-bar roof hook



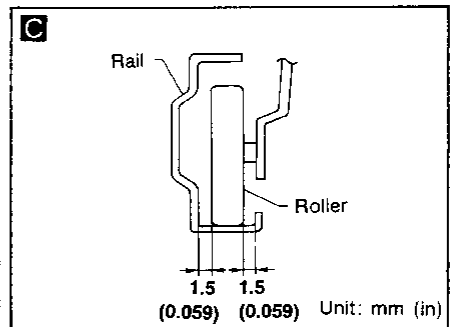
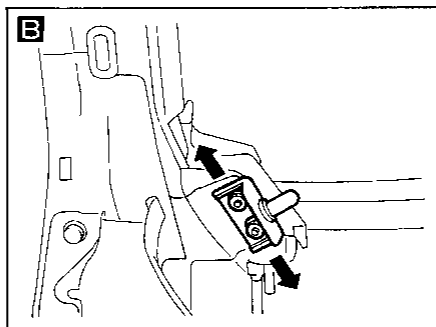
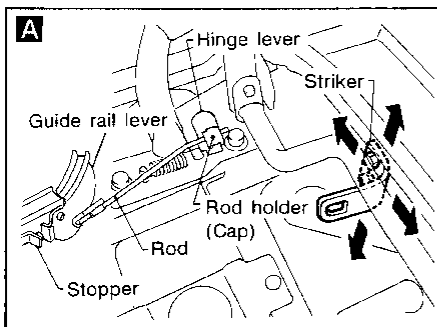
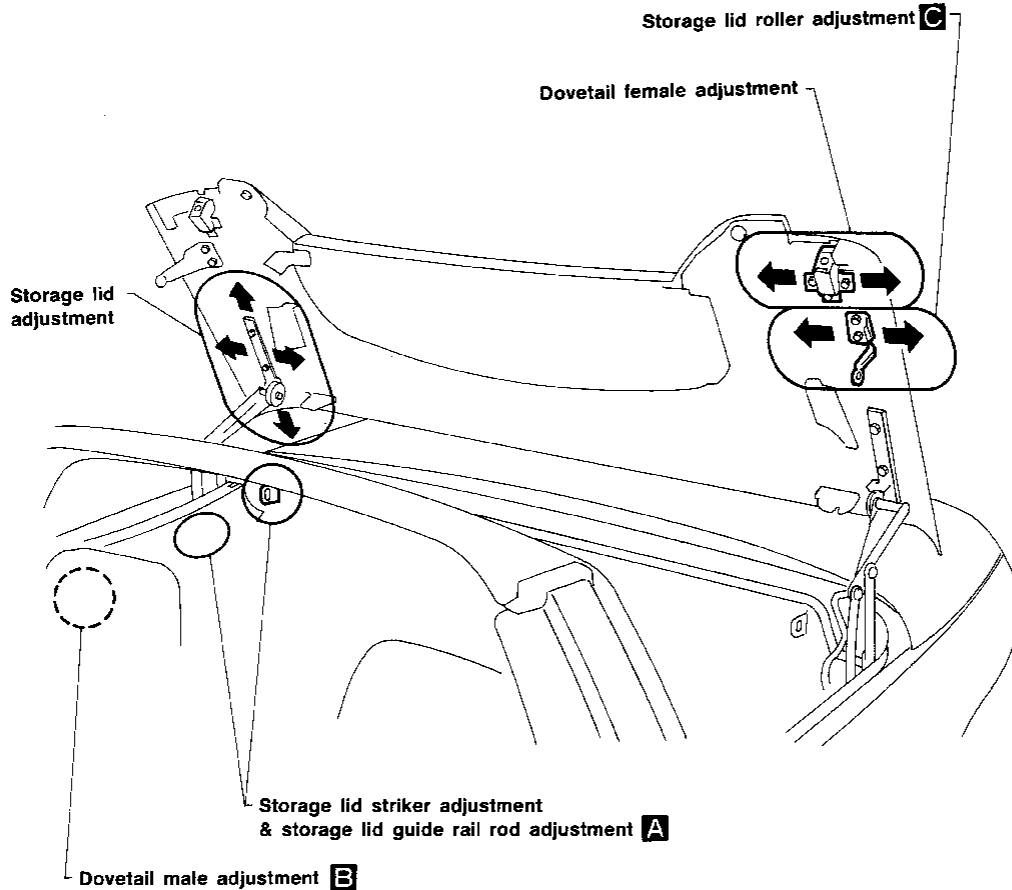
T-bar roof female lock adjustment



CONVERTIBLE ROOF

Storage Lid

- Storage lid adjustment: Adjust at hinge-storage lid portion for proper storage lid.
 - Storage lid lock system adjustment: Adjust striker so that it is in the center of the lock. After adjustment, check storage lid lock operation.
- ★ For Wiring Diagram, refer to “STORAGE LID AND TRUNK LID OPENER SYSTEM” and “ROOF OPENER SYSTEM” in EL section.



Rod length adjustment procedure

- (1) Ensure cap and rod are freed.
- (2) Lightly push rod toward front of vehicle until guide rail lever comes into contact with stopper.
- (3) Push lever (on hinge side) toward front of vehicle until it comes into contact with catch.
- (4) Push rod into rod holder and then put cap over the rod.

GI

MA

EM

LC

EF &
EC

FE

CL

MT

AT

PD

FA

RA

BR

ST

RS

BT

HA

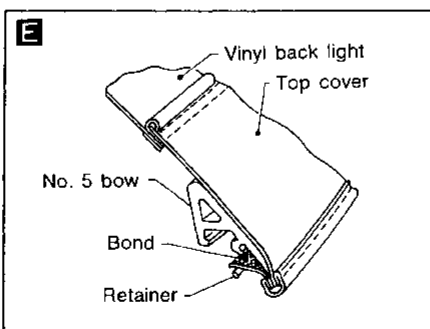
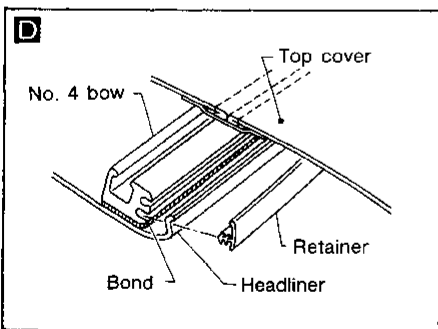
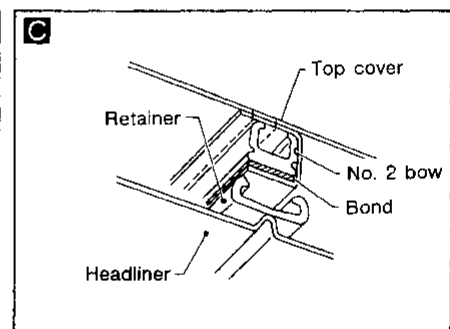
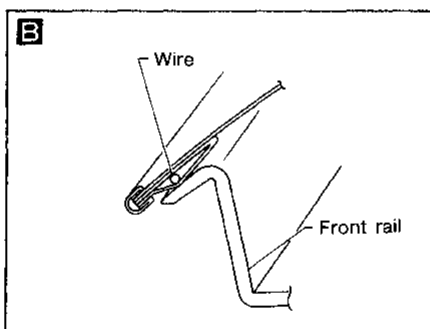
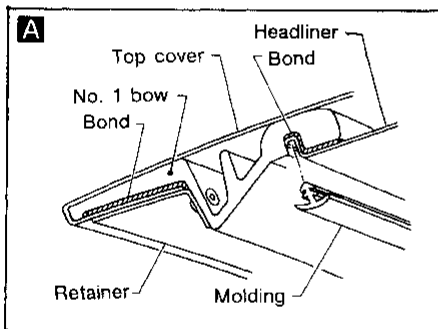
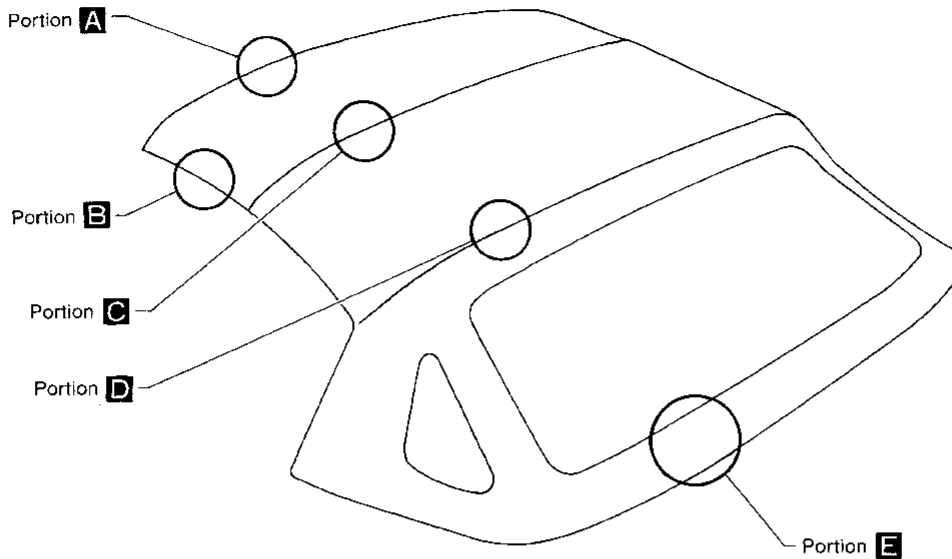
EL

IDX

CONVERTIBLE ROOF

Top Cover and Headliner

- Protect vehicle interior and exterior when applying adhesive.
- Take care not to apply an excessive amount of adhesive.



BOND ... 3M Super Weatherstrip Adhesive or equivalent

CONVERTIBLE ROOF

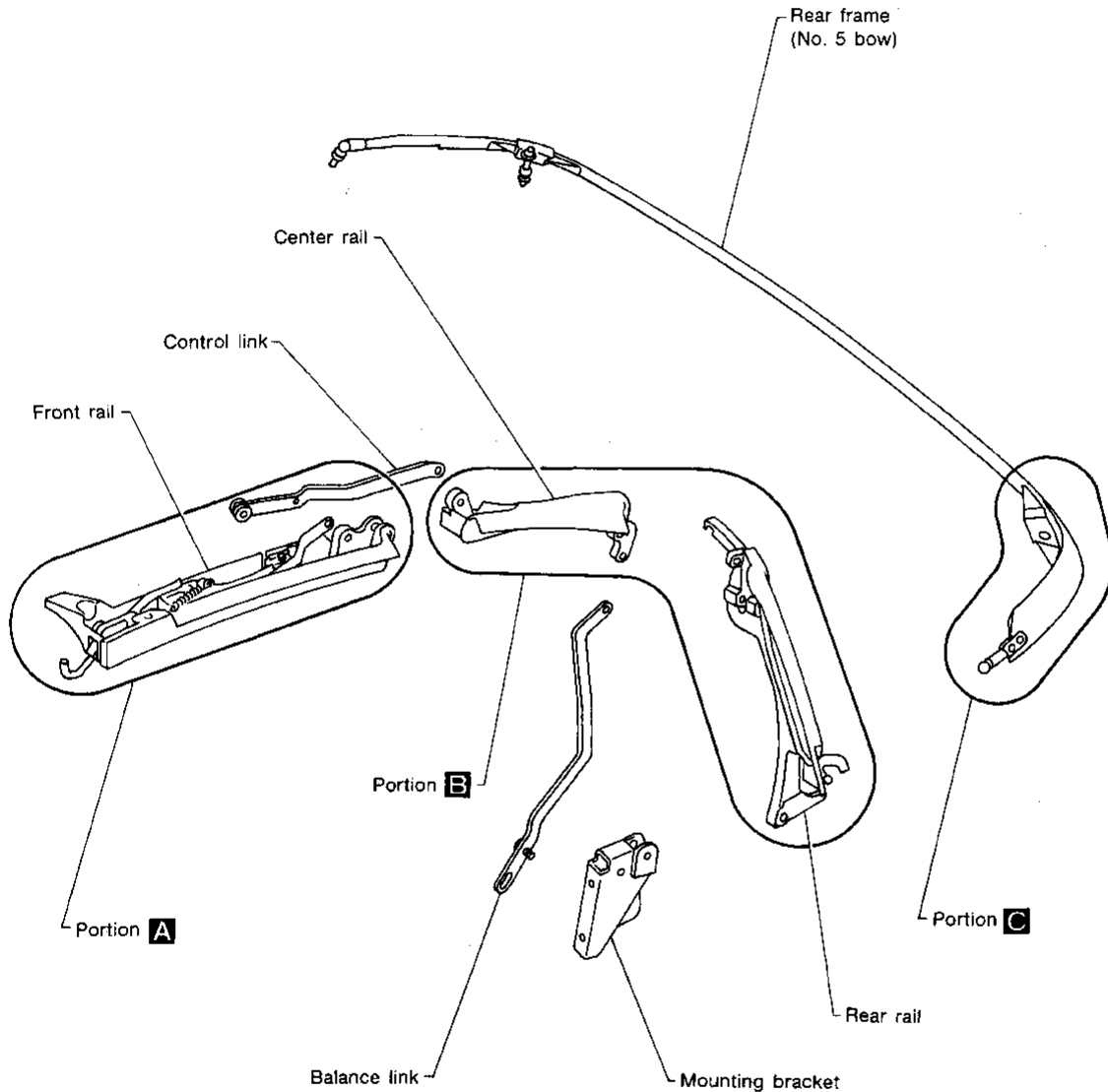
Linkage

Make sure of the following:

- Front and rear locks operate smoothly and securely.
- When stored, top cover is locked securely to hook and storage lid operates smoothly.
- No abnormal sound is heard during operation.
- The bolts are coated with bonding agent. Discard old ones after removal; replace with new ones.

REMOVAL — Top stack roof assembly

- ① Fully open top stack roof.
- ② Unlock the rear lock at rear frame.
- ③ Remove balance spring.
- ④ Remove bolt.



GI

MA

EM

LC

EF &
EC

FE

CL

MT

AT

PD

FA

RA

BR

ST

RS

BT

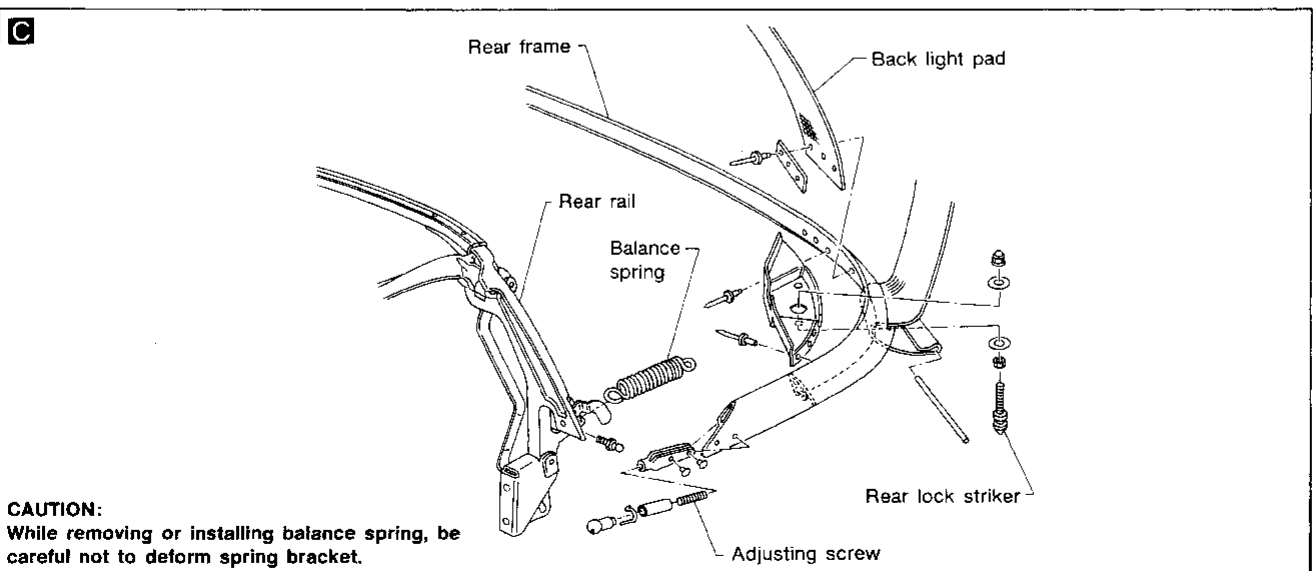
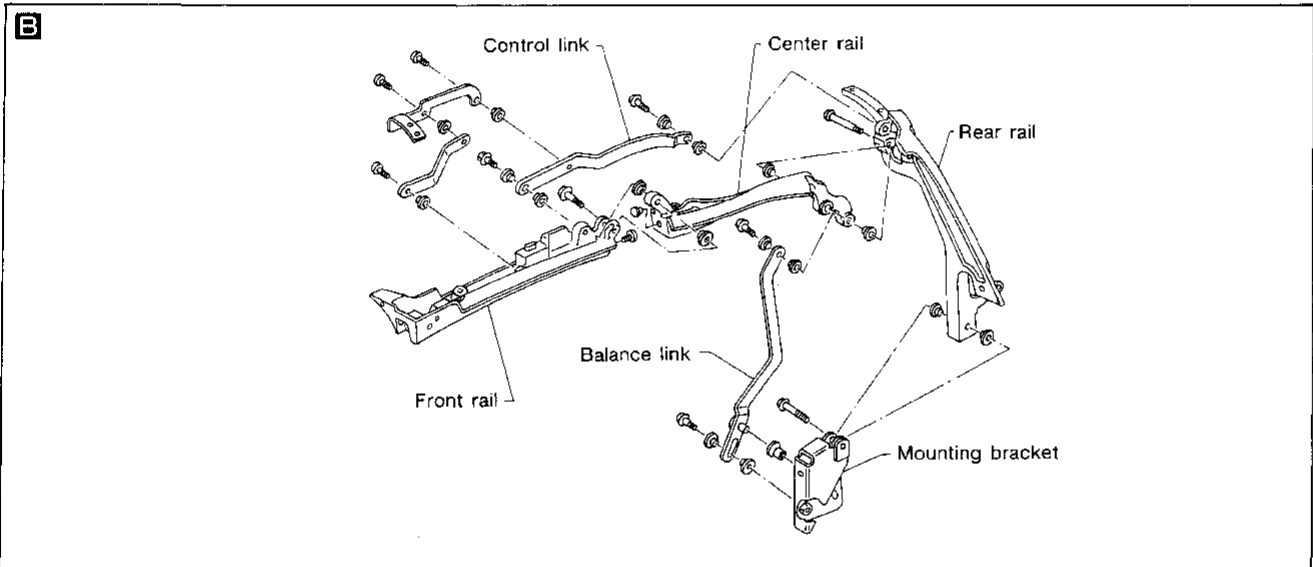
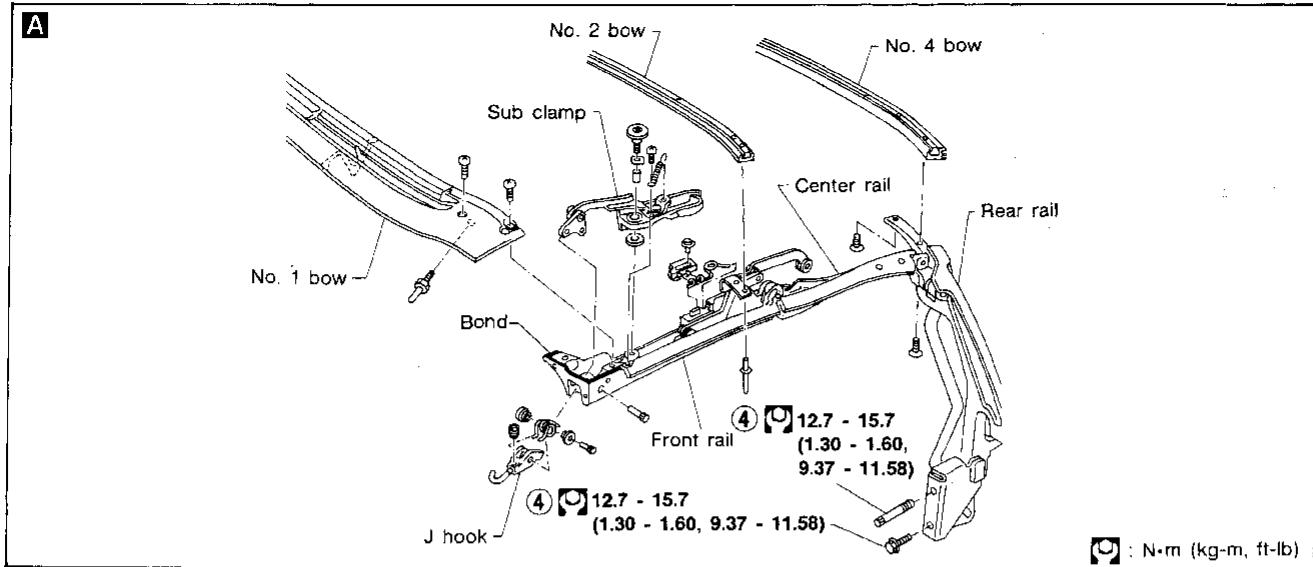
HA

EL

IDX

CONVERTIBLE ROOF

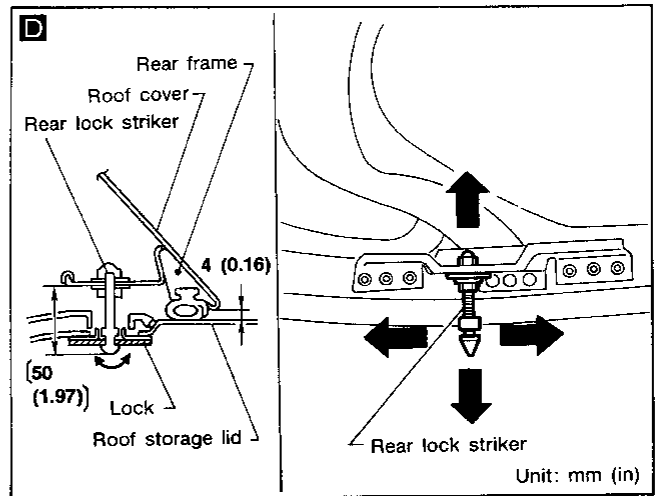
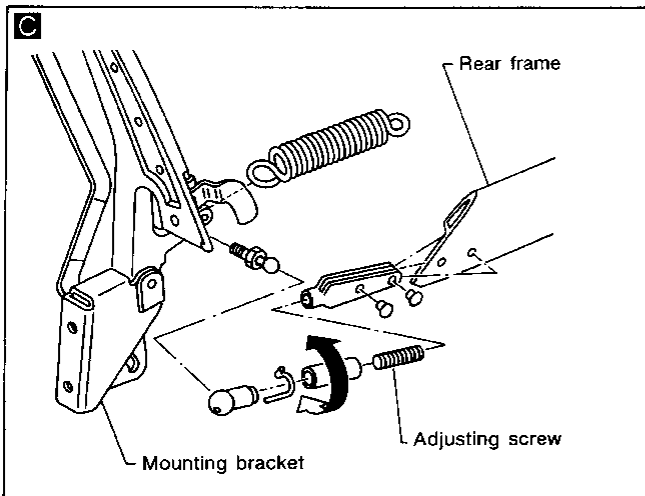
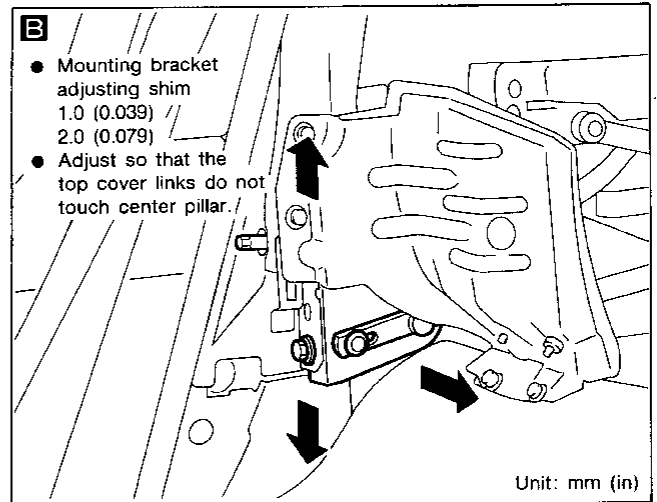
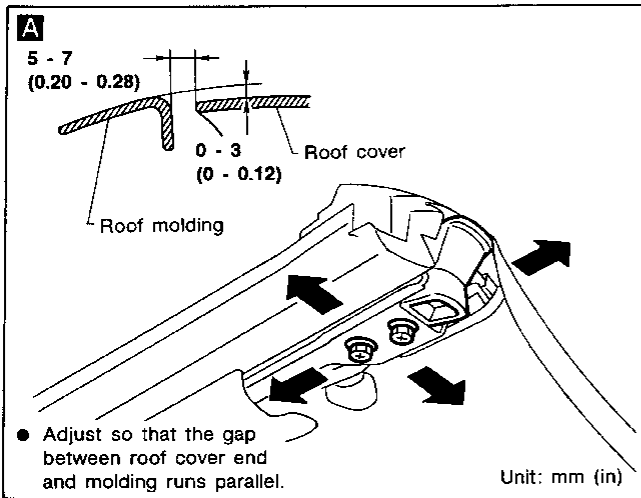
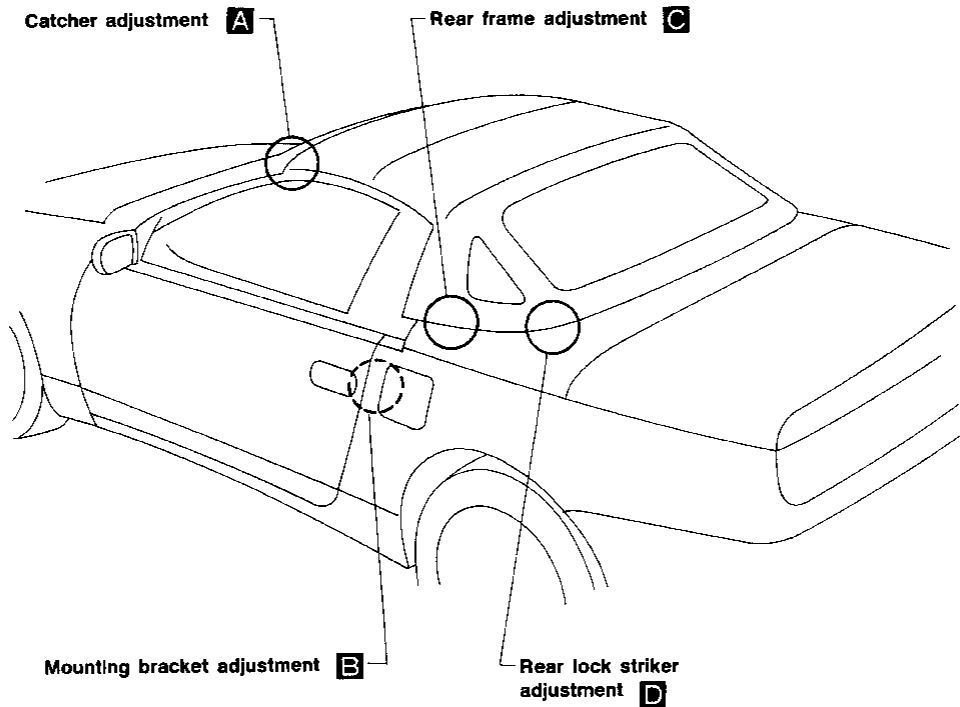
Linkage (Cont'd)



CONVERTIBLE ROOF

Adjustment

- After any adjustment, check top stack roof operation and roof alignment.



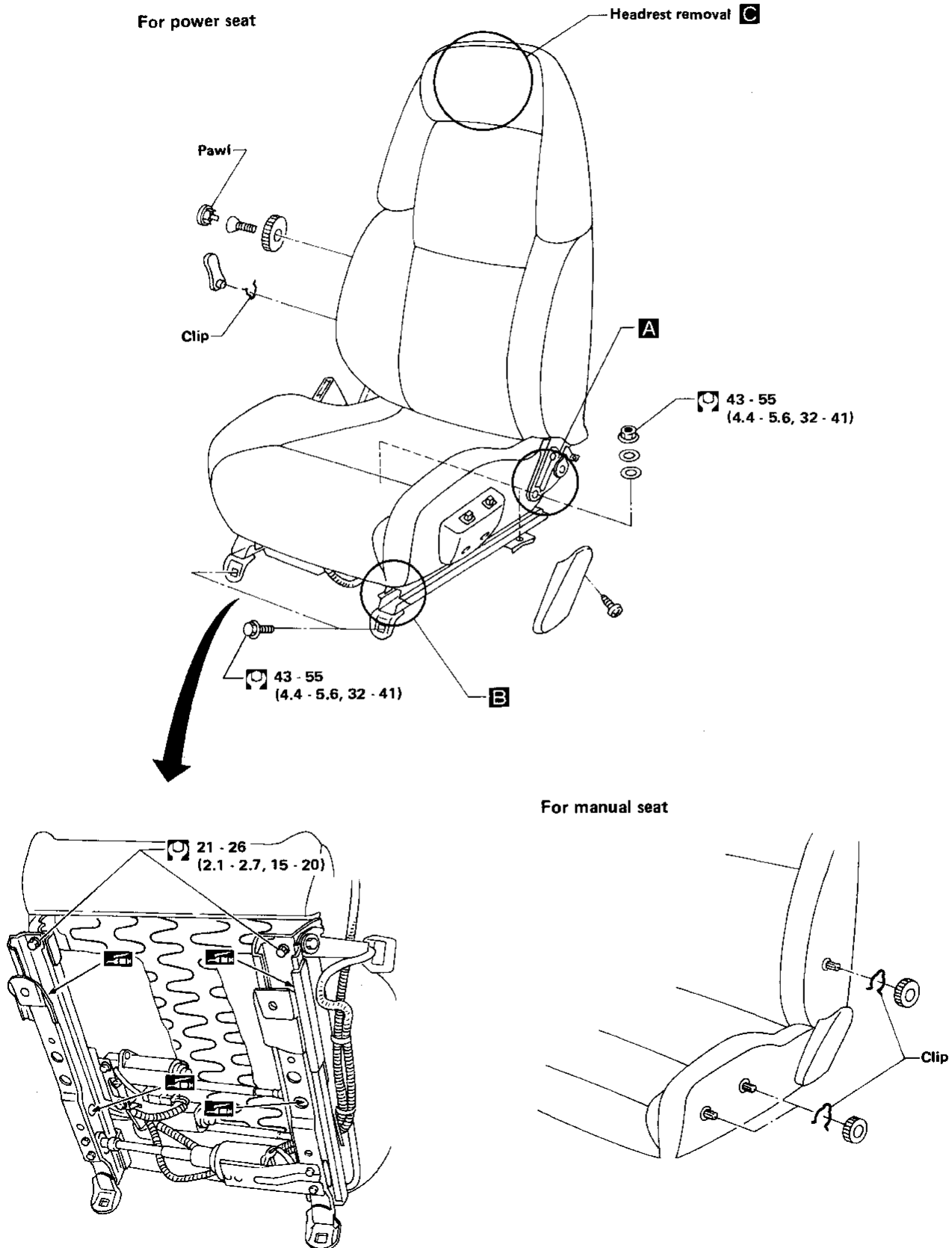
MBF714A

GI
MA
EM
LC
EF &
EC
FE
CL
MT
AT
PD
FA
RA
BR
ST
RS
BT
HA
EL
IDX

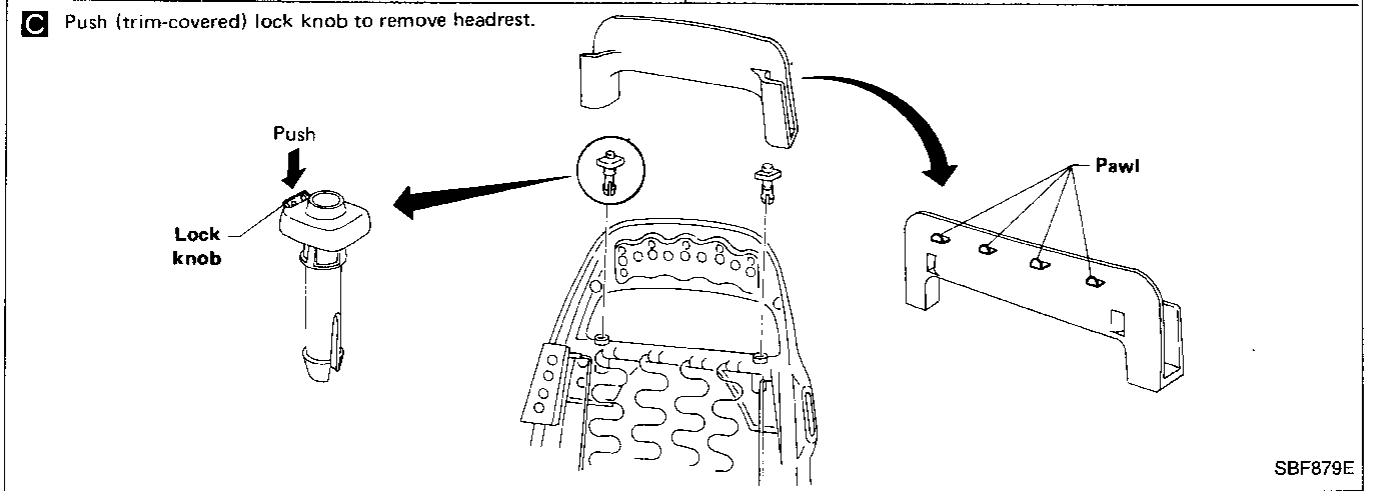
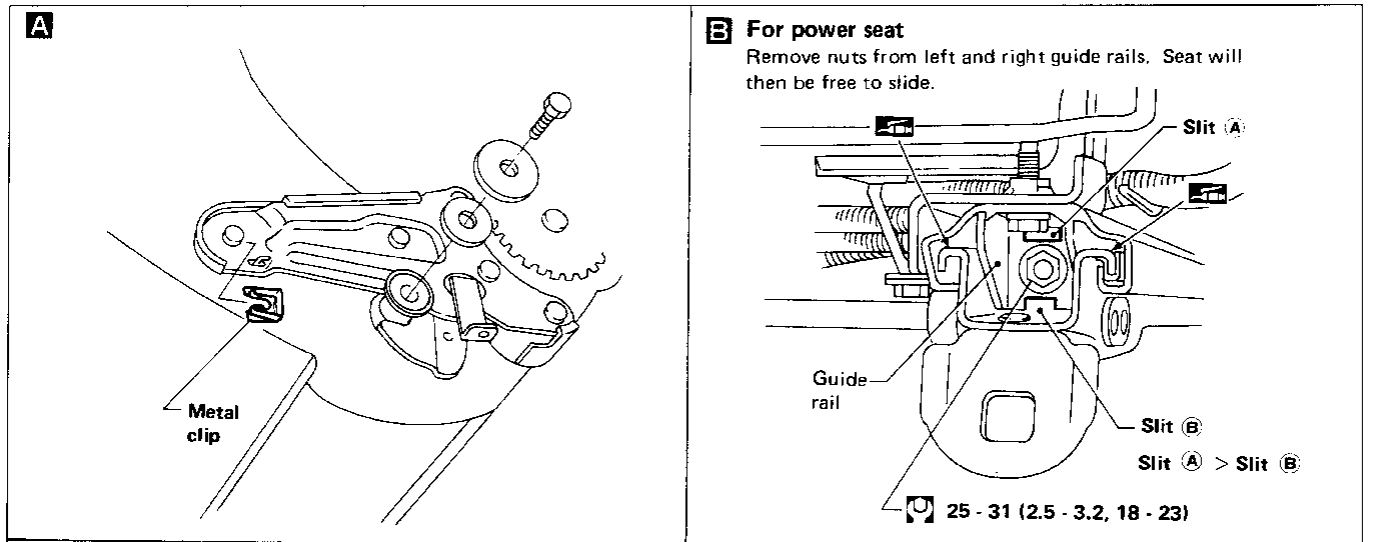
SEAT

- When removing or installing the seat trim, handle it carefully to keep it from becoming dirty and to avoid damage.
- ★ For Wiring Diagram, refer to "POWER SEAT" in EL section.

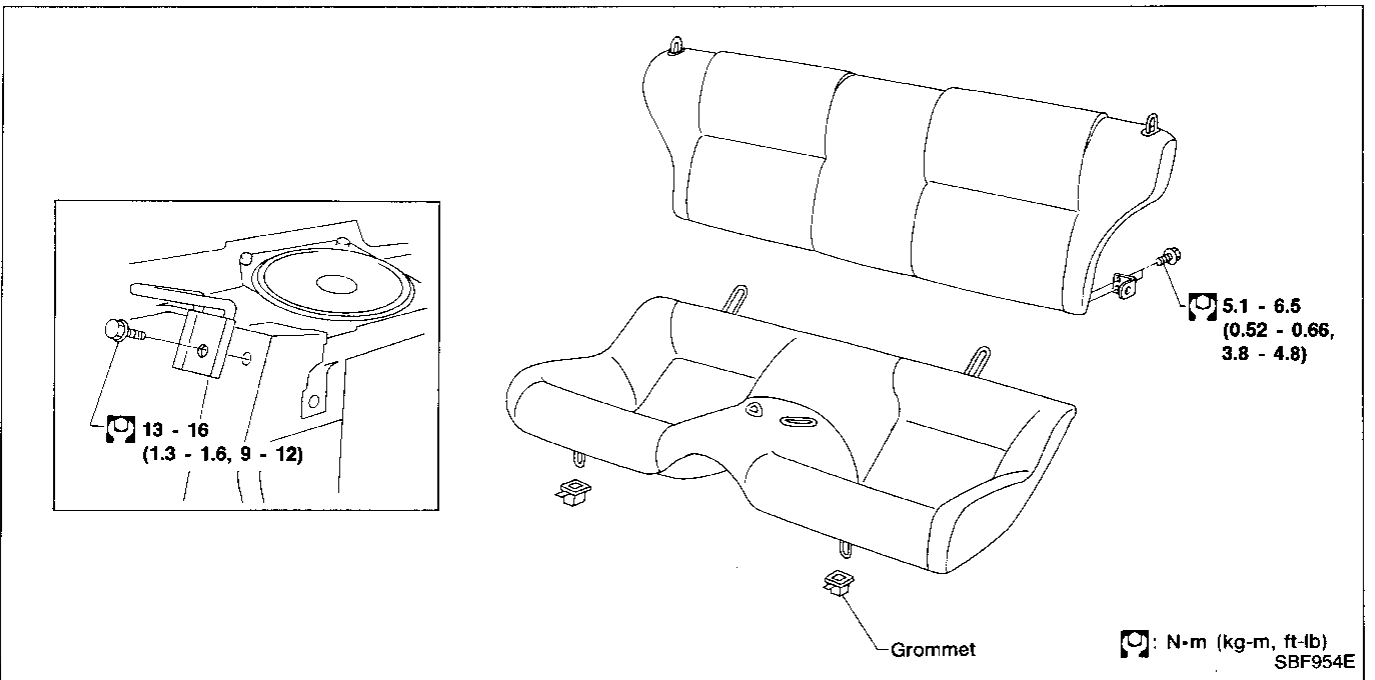
FRONT SEAT



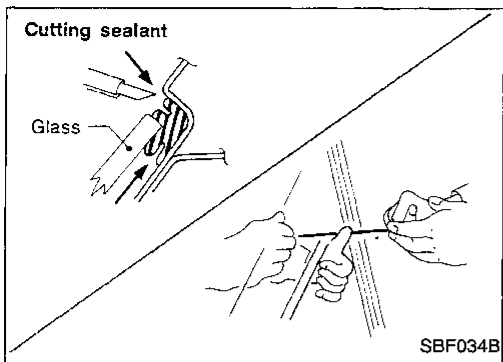
SEAT



REAR SEAT



GI
MA
EM
LC
EF &
EC
FE
CL
MT
AT
PD
FA
RA
BR
ST
RS
BT
HA
EL
IDX



Windshield

REMOVAL

After removing moldings, remove glass.

CAUTION:

Be careful not to scratch glass when removing.

INSTALLATION

- Use genuine Nissan Sealant kit or equivalent. Follow instructions furnished with it.
- After installing the glass, the vehicle should remain stationary until the sealant hardens.

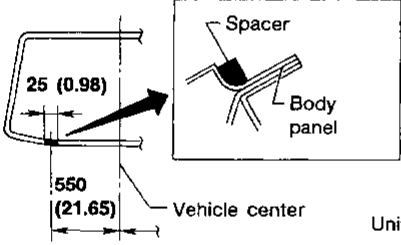
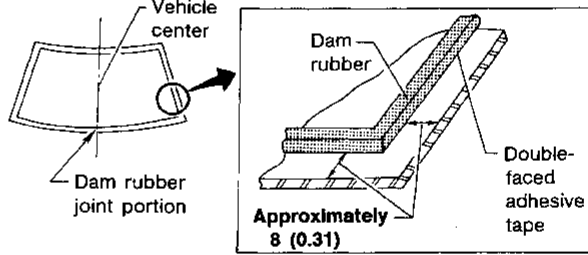
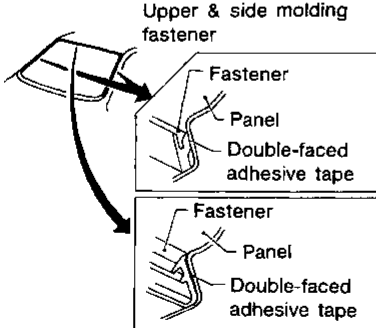
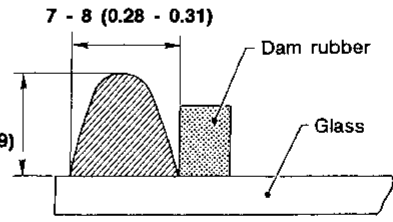
WARNING:

Keep heat and open flames away as primers are flammable.

CAUTION:

Advise the user of the fact that vehicle should not be driven on rough roads or surfaces until sealant has properly vulcanized.

- Do not use sealant which is past its usable term.
- Do not leave cartridge unattended with its cap open.
- Keep primers and sealant in a cool, dry place. Ideally, they should be stored in a refrigerator.
- Molding must be installed securely so that it is in position and leaves no gap.

<p>Body side</p> <p>Install spacers to panel with double-faced adhesive tape.</p>  <p style="text-align: right;">Unit: mm (in)</p>	<p>Glass side</p> <p>Install dam rubber & spacers with double-faced adhesive tape.</p>  <p style="text-align: right;">Unit: mm (in)</p>
<p>Install molding fastener. When installing, heat body panel and fastener to approx. 30 to 40°C (86 to 104°F).</p> 	<p>Apply sealant evenly.</p>  <p style="text-align: right;">Unit: mm (in) MBF360B</p>

REPAIRING WATER LEAKS FOR WINDSHIELD

Leaks can be repaired without removing and reinstalling glass.

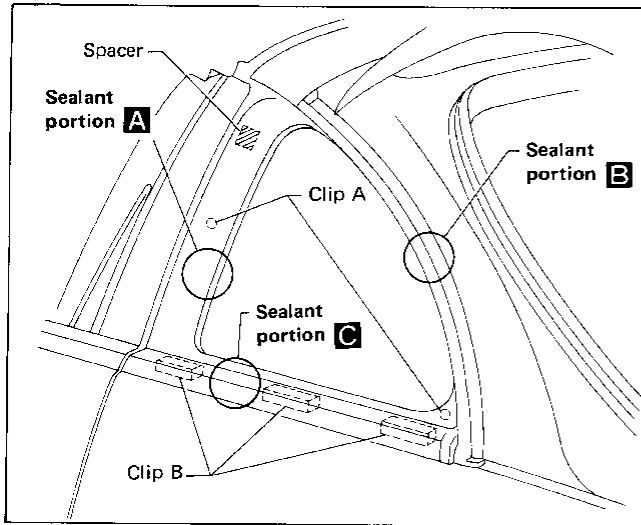
If water is leaking between caulking material and body or between glass and caulking material, determine the extent of the leak by applying water while pushing glass outward.

To stop the leak, apply primer (if necessary) and then sealant to the leak point.

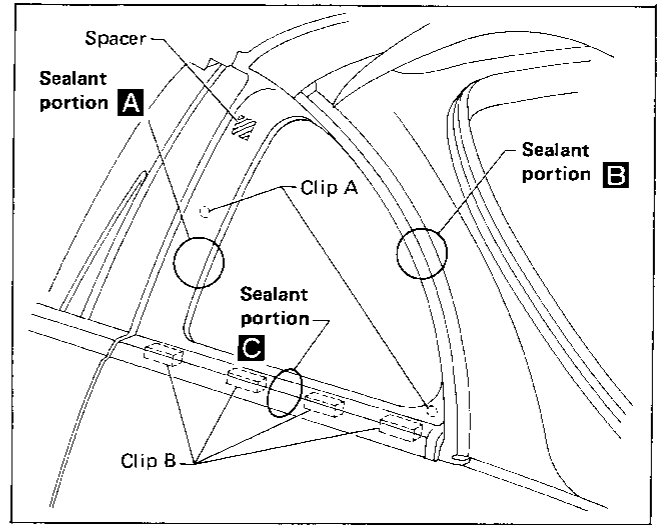
Side Window

CI
 MA
 EM
 LC
 EF & EC
 FE
 CL
 MT
 AT
 PD
 FA
 RA
 BR
 ST
 RS
BT
 HA
 EL
 IDX

2 seater model

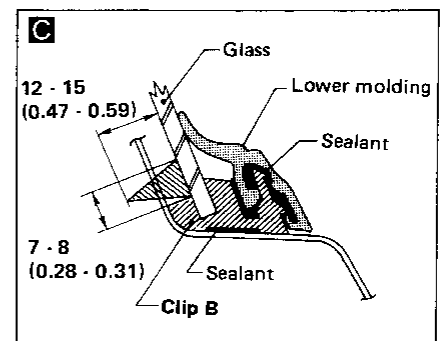
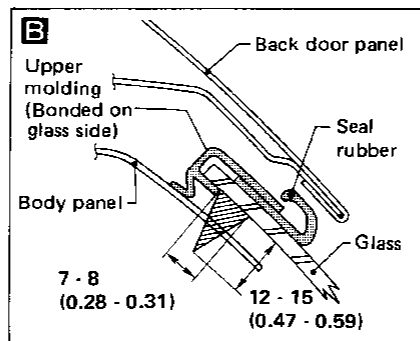
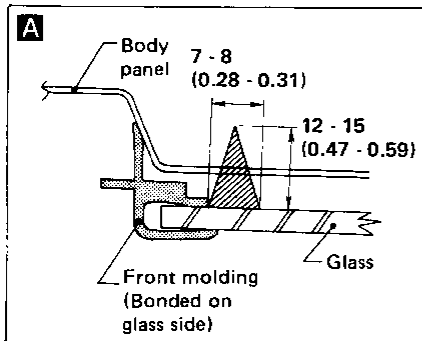
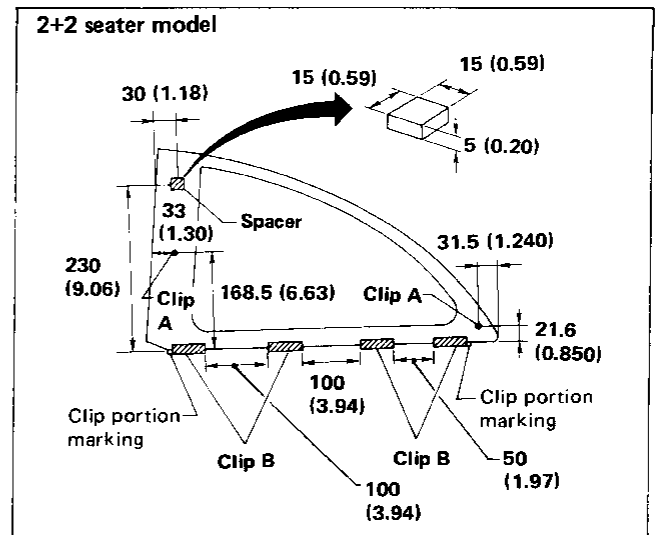
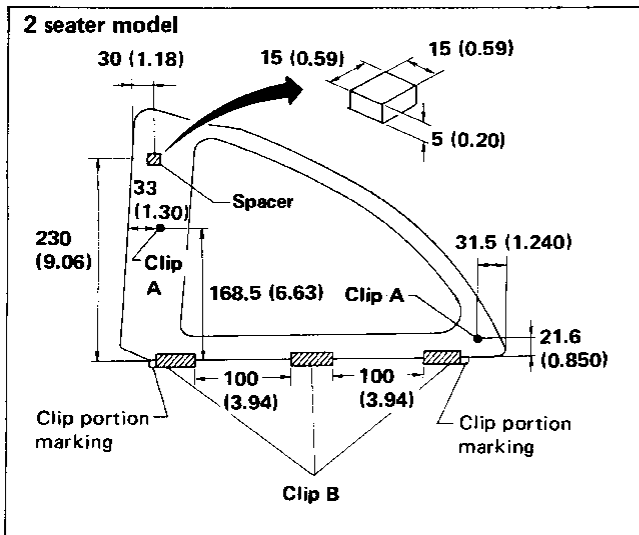


2+2 seater model



Spacer and clip portion

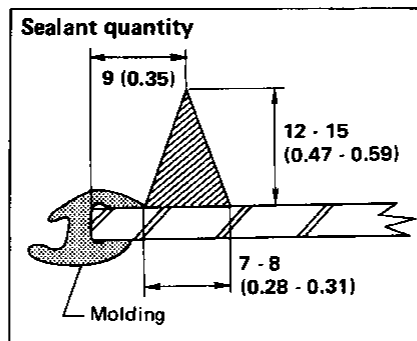
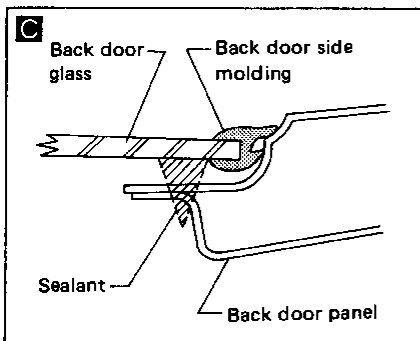
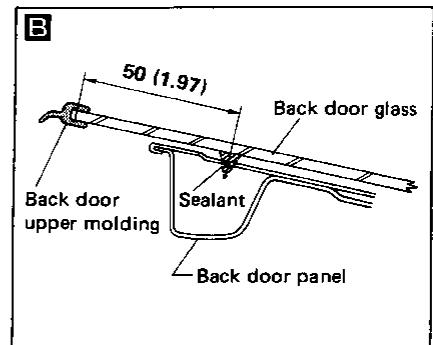
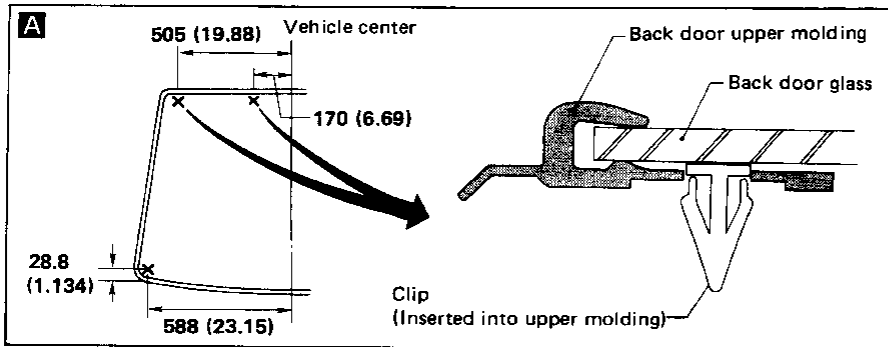
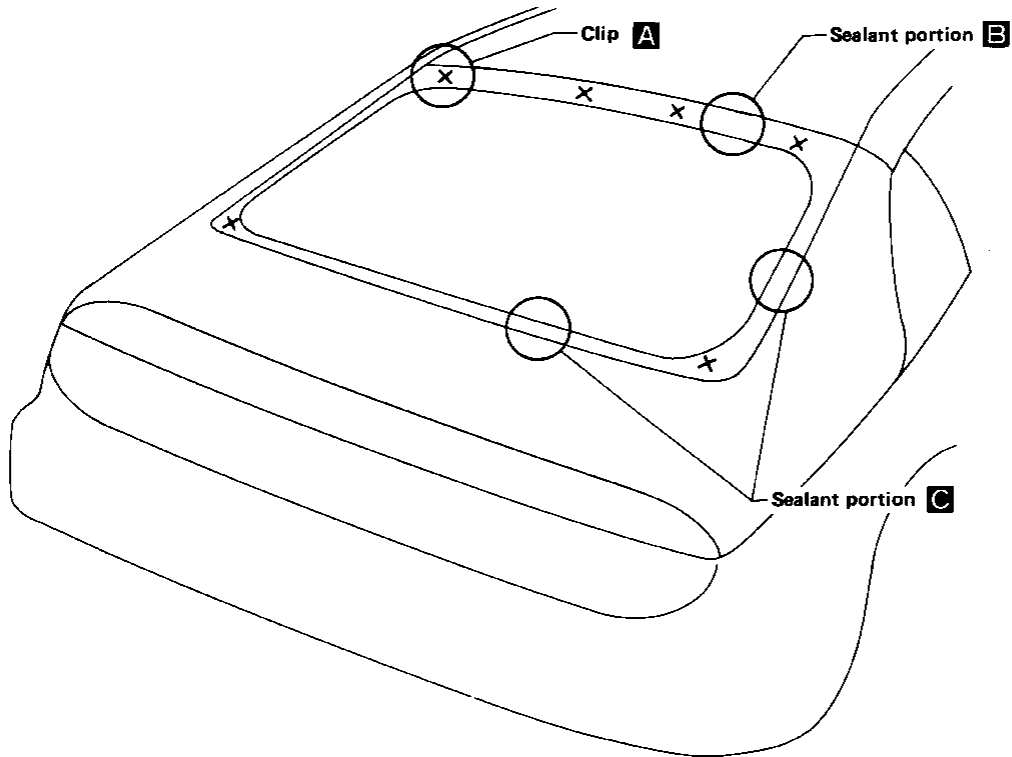
Unit: mm (in)



WINDSHIELD AND WINDOWS

Back Door Window

- Construction and removal/reinstallation method of back door window are basically the same as those of windshield.
- For details of moldings, refer to "EXTERIOR TRIM, BT-20".



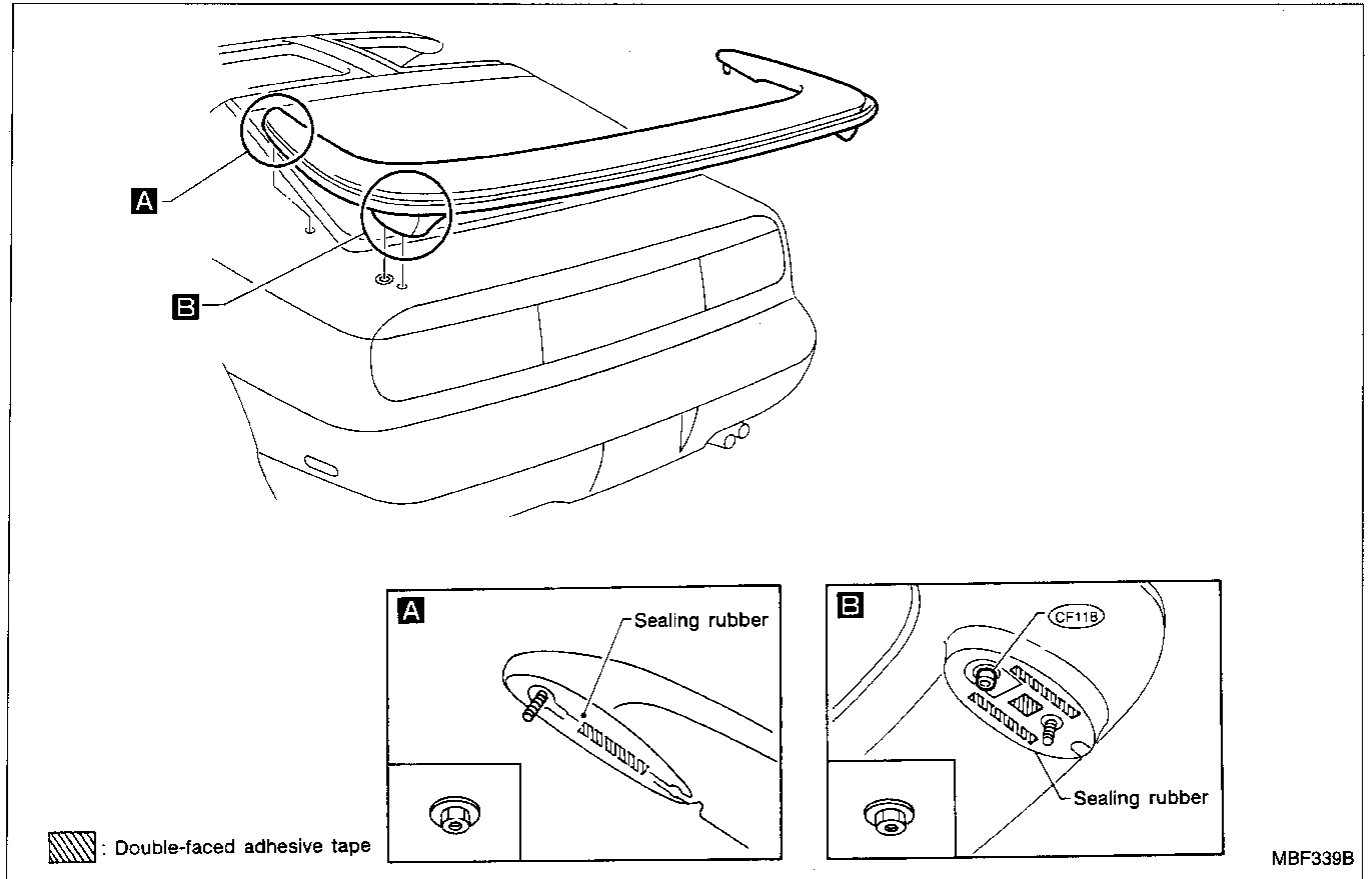
Unit: mm (in)

SBF884E

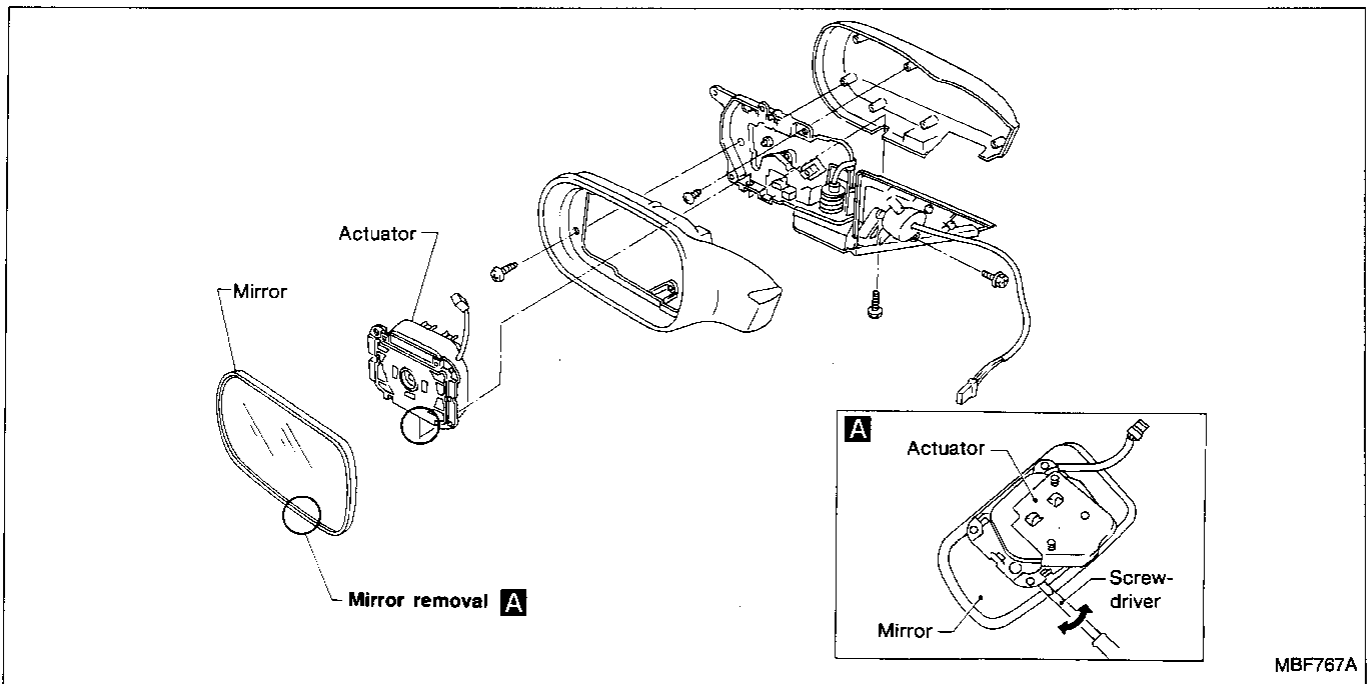
REAR AIR SPOILER AND MIRROR

Rear Air Spoiler

- When installing, make sure that there are not gaps or waves at ends of air spoiler.
- Before installing spoiler, clean and remove oil from surface where spoiler will be mounted.



Door Mirror

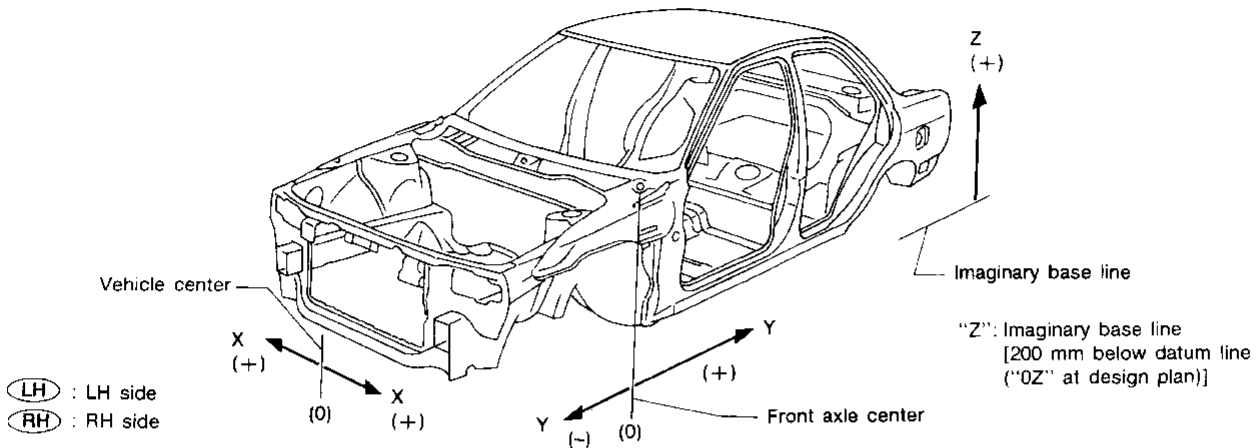


★ For Wiring Diagram, refer to "POWER DOOR MIRROR" in EL section.

GI
MA
EM
LC
EF &
EC
FE
CL
MT
AT
PD
FA
RA
BR
ST
RS
BT
HA
EL
IDX

BODY ALIGNMENT

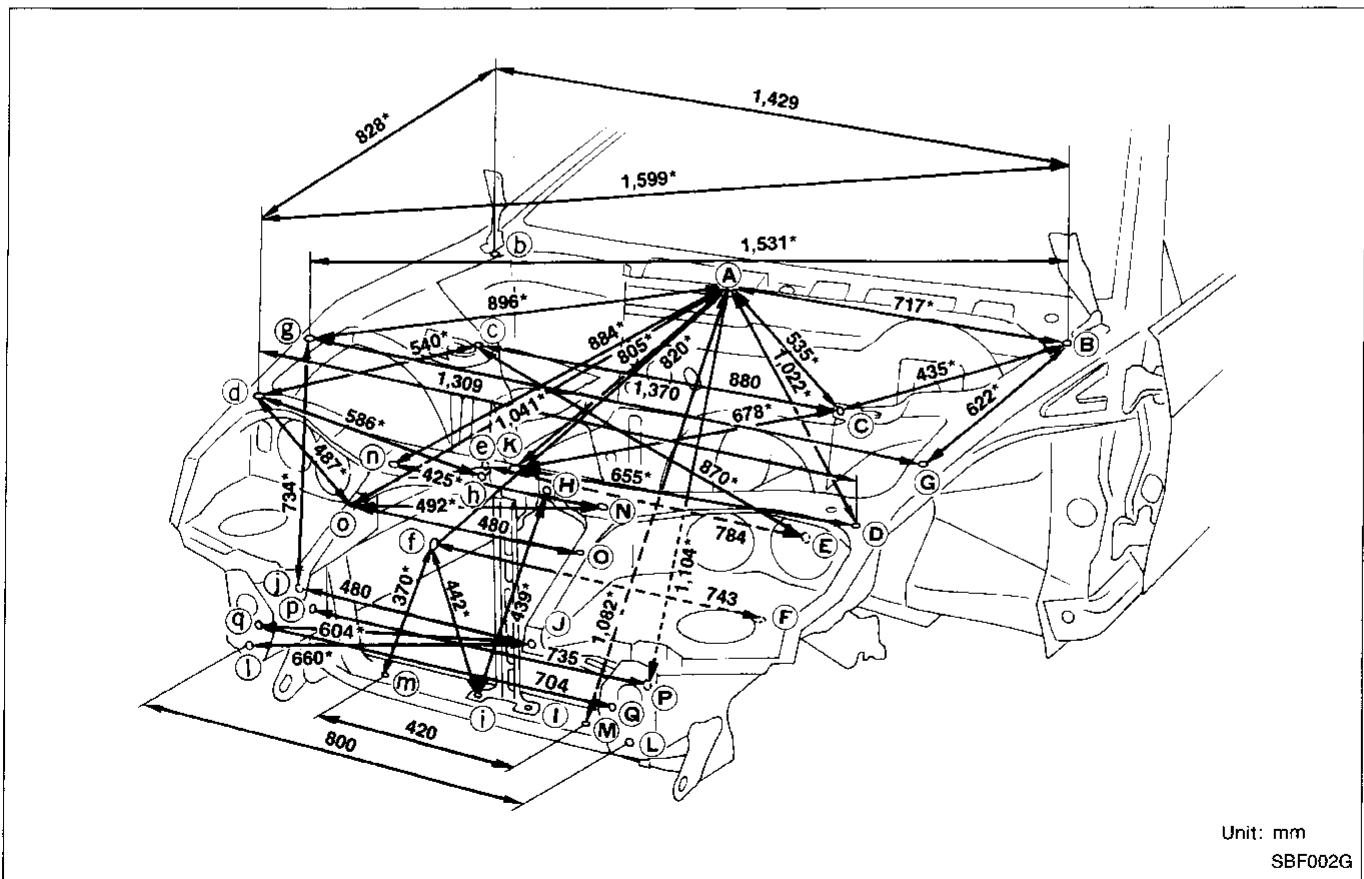
- All dimensions indicated in figures are actual ones.
- When using tracking gauge, adjust both pointers to equal length. Then check the pointers and gauge itself to make sure there is no free play.
- When a measuring tape is used, check that there is no elongation, twisting or bending.
- Measurements should be taken at the center of the mounting holes.
- An asterisk (*) following the value at the measuring point indicates that the measuring point on the other side is symmetrically the same value.
- The coordinates of the measurement points are the distances measured from the standard line of "X", "Y" and "Z".



SBF874GA

Engine Compartment

MEASUREMENT

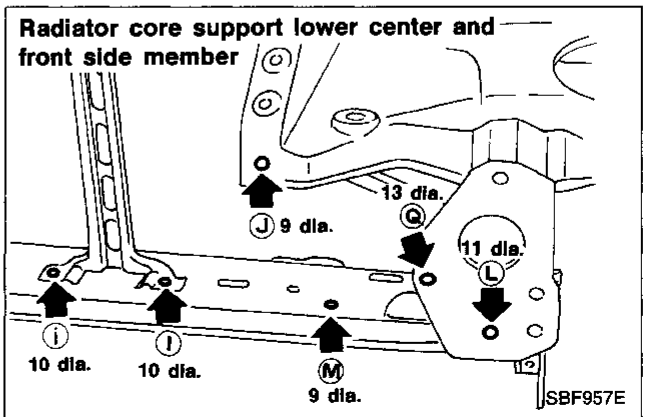
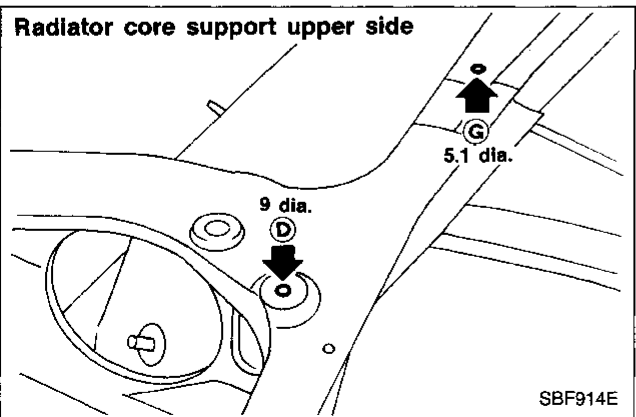
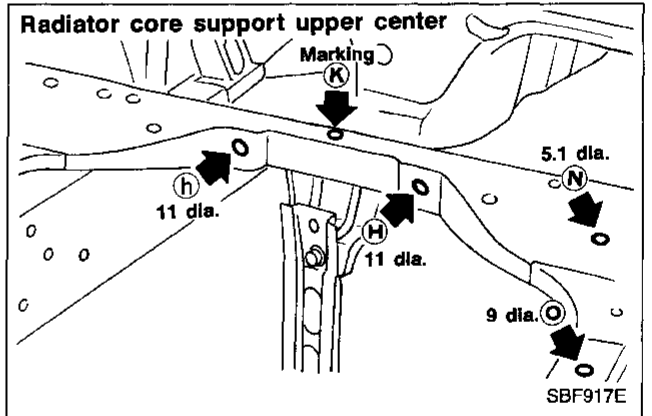
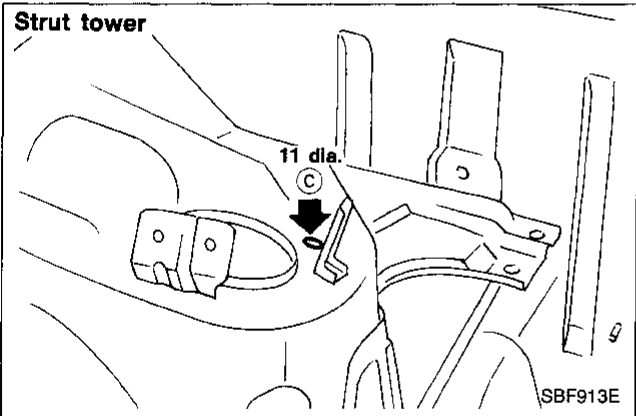
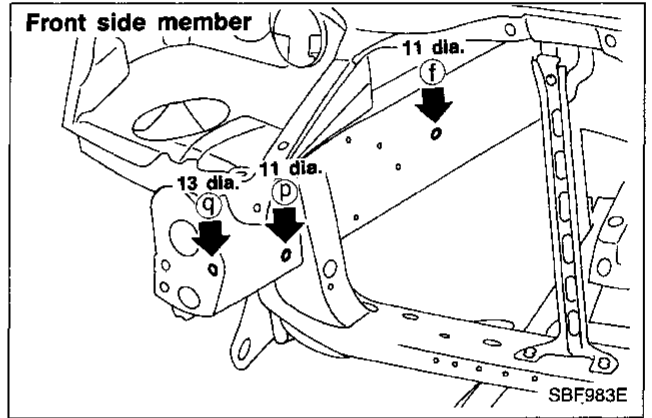
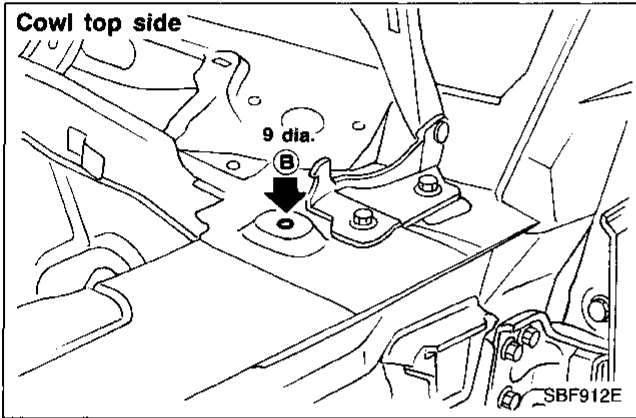
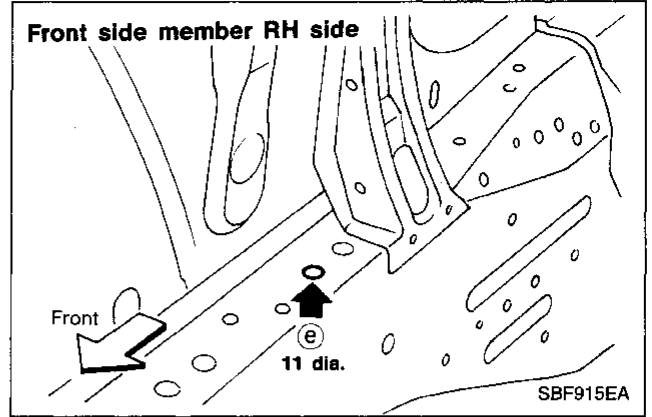
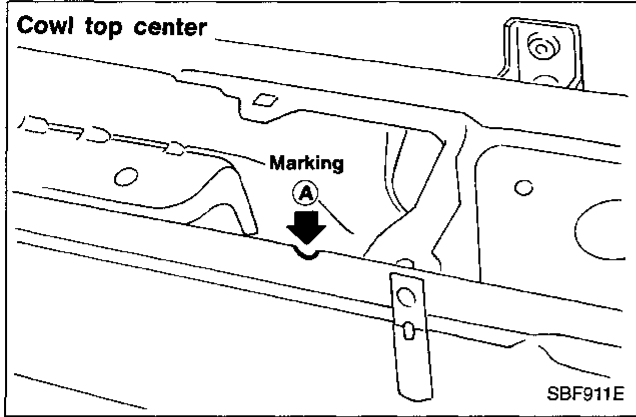


BODY ALIGNMENT

Engine Compartment (Cont'd)

MEASUREMENT POINTS

Unit: mm



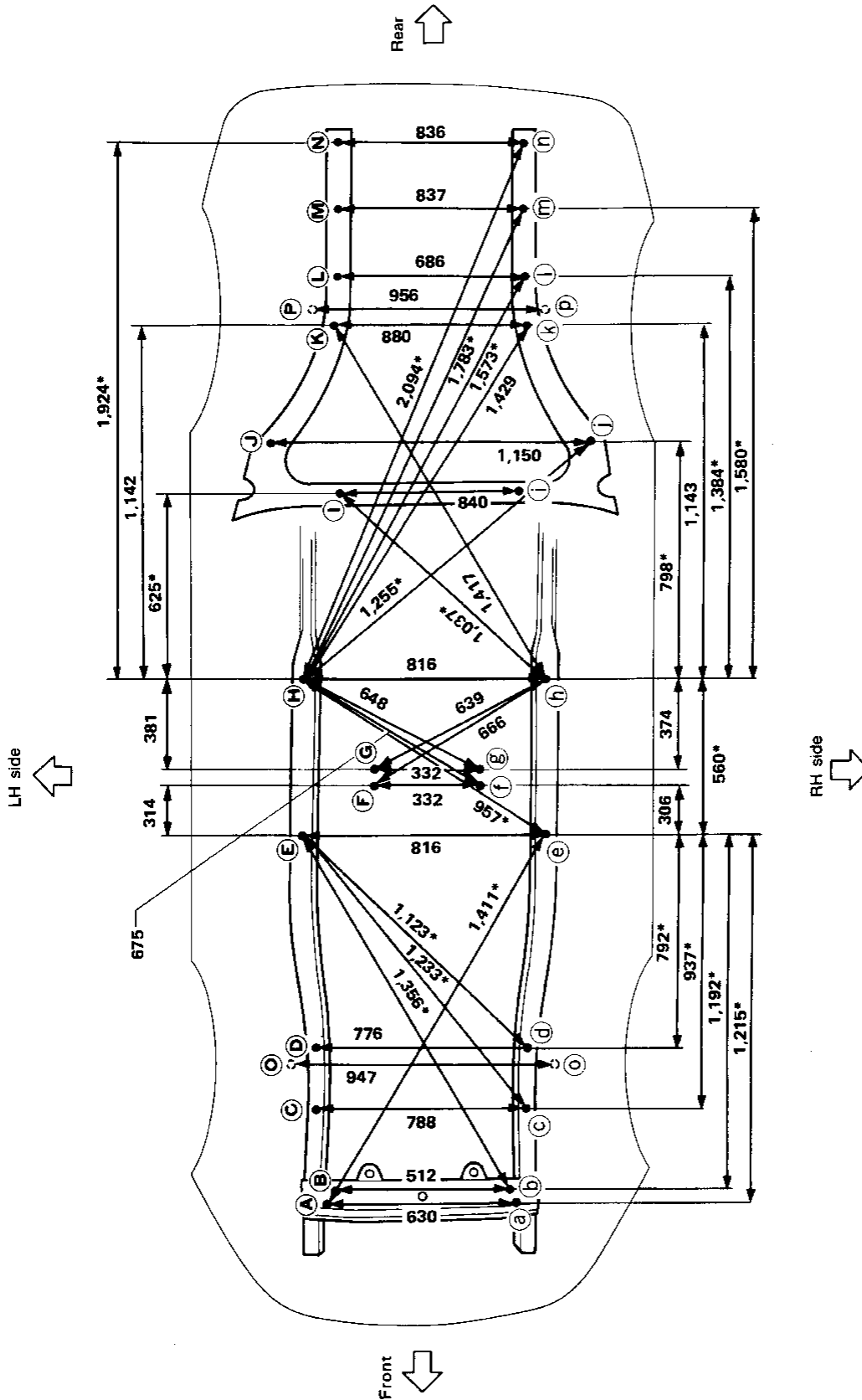
GI
MA
EM
LC
EF & EC
FE
CL
MT
AT
PD
FA
RA
BR
ST
RS
BT
HA
EL
IDX

BODY ALIGNMENT

Underbody

MEASUREMENT
2 seater model

Unit: mm



This figure shows under view.

All dimensions indicated in this figure are actual ones. (There are no projected dimensions.)

BODY ALIGNMENT

Underbody (Cont'd)

MEASUREMENT POINTS

2 seater model

GI

MA

EM

LC

EF &
EC

FE

CL

MT

AT

PD

FA

RA

BR

ST

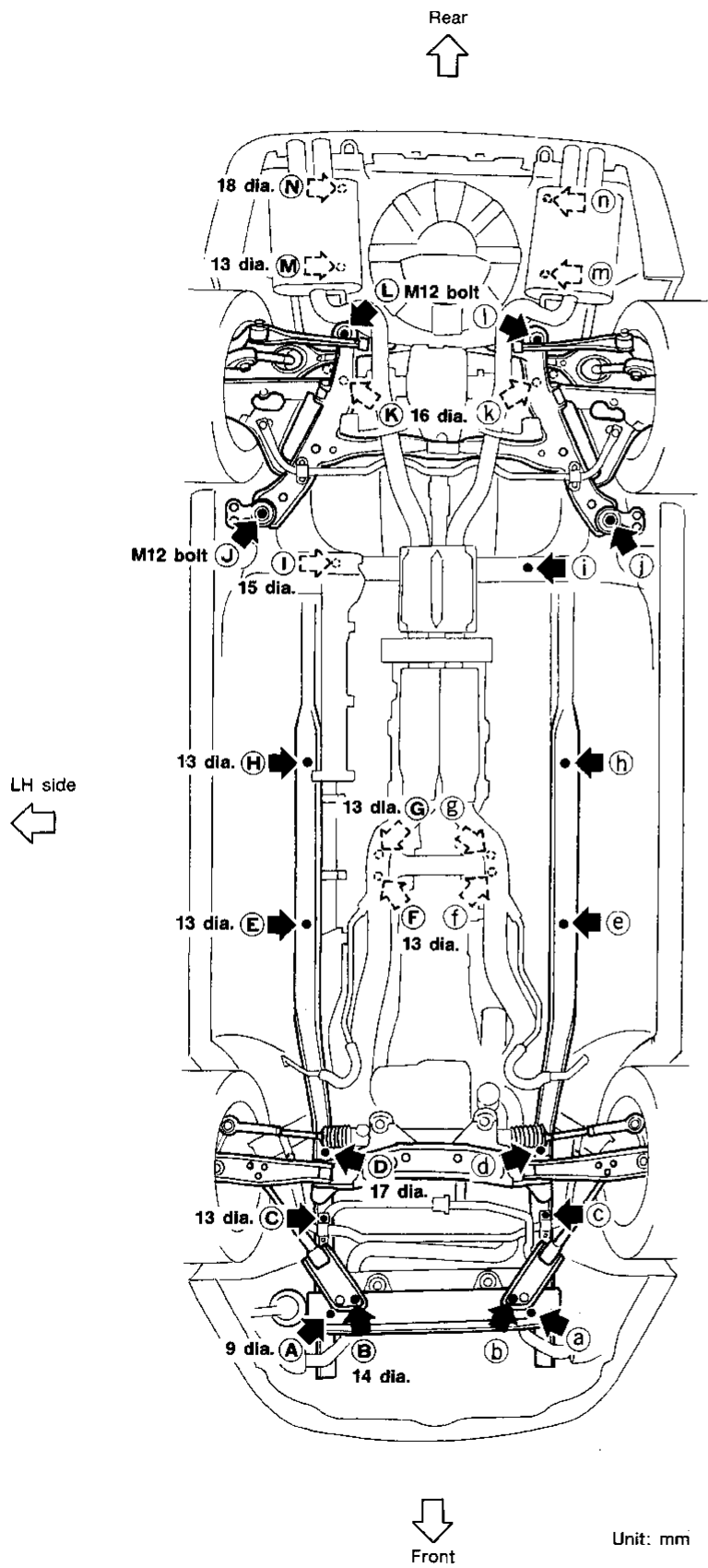
RS

BT

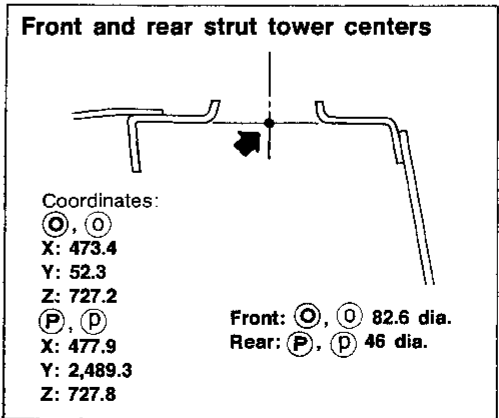
HA

EL

IDX



Front coordinates:	Rear coordinates:
(A), (a) X: 315 Y: -460 Z: 205.1	(I), (i) X: 420 Y: 1,860 Z: 286.1
(B), (b) X: 255.8 Y: -431 Z: 205.1	(J), (j) X: 575 Y: 2,030 Z: 179.1
(C), (c) X: 394 Y: -170 Z: 330	(K) X: 430 Y: 2,350 Z: 459.6
(D), (d) X: 388 Y: -22 Z: 330	(k) X: 450 Y: 2,350 Z: 459.6
(E), (e) X: 408.2 Y: 750 Z: 152.6	(L), (l) X: 343 Y: 2,620 Z: 334.3
(F) X: 161 Y: 917 Z: 249	(M), (m) X: 418.5 Y: 2,800 Z: 460
(f) X: 171 Y: 917 Z: 249	(N), (n) X: 418 Y: 3,153.1 Z: 434.1
(G) X: 161 Y: 977 Z: 249	
(g) X: 171 Y: 977 Z: 249	
(H), (h) X: 408.2 Y: 1,250 Z: 152.6	



Unit: mm

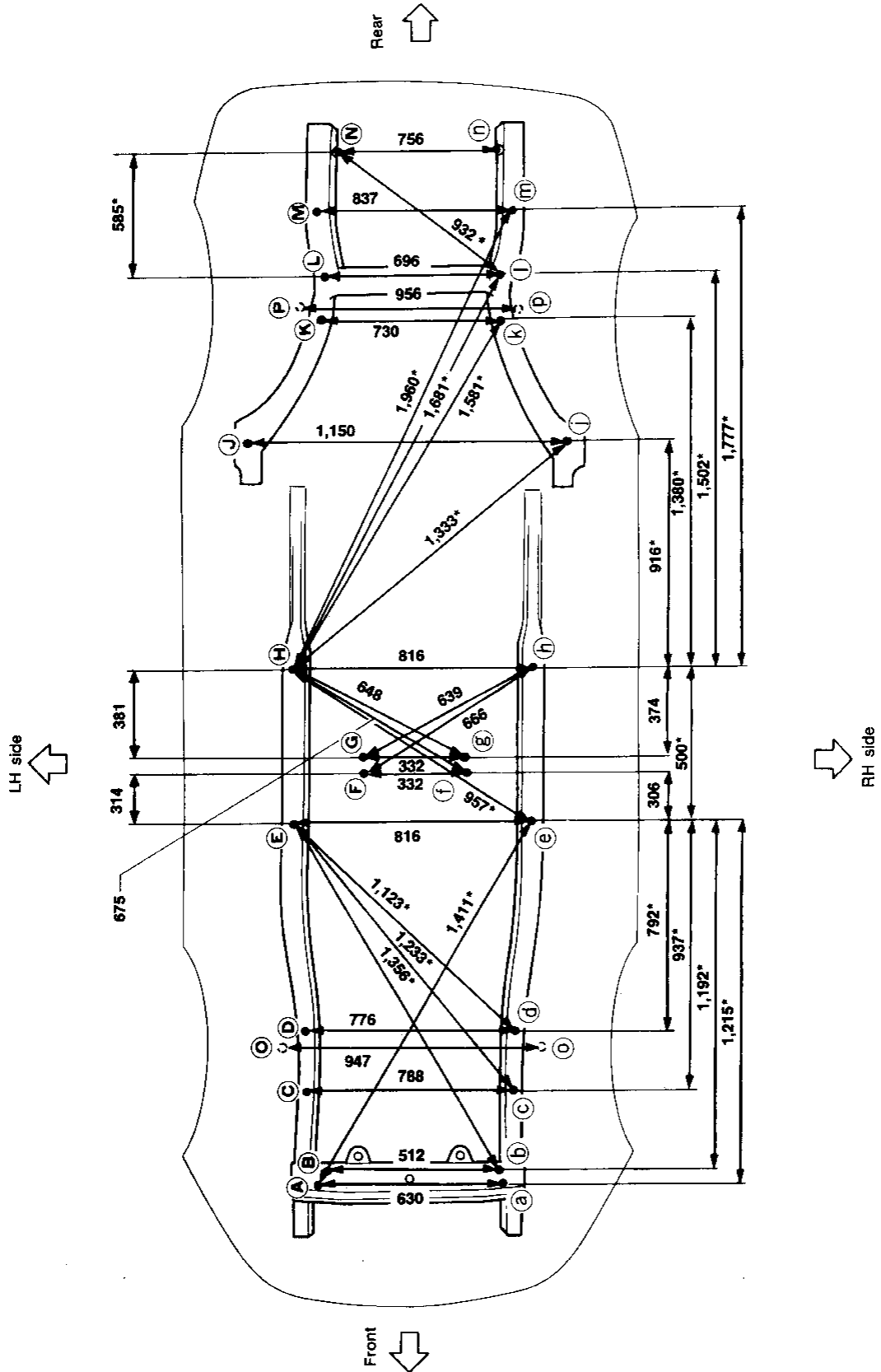
MBT054A

BODY ALIGNMENT

Underbody (Cont'd)

MEASUREMENT
2+2 seater model

Unit: mm



This figure shows under view.

All dimensions indicated in this figure are actual ones. (There are no projected dimensions.)

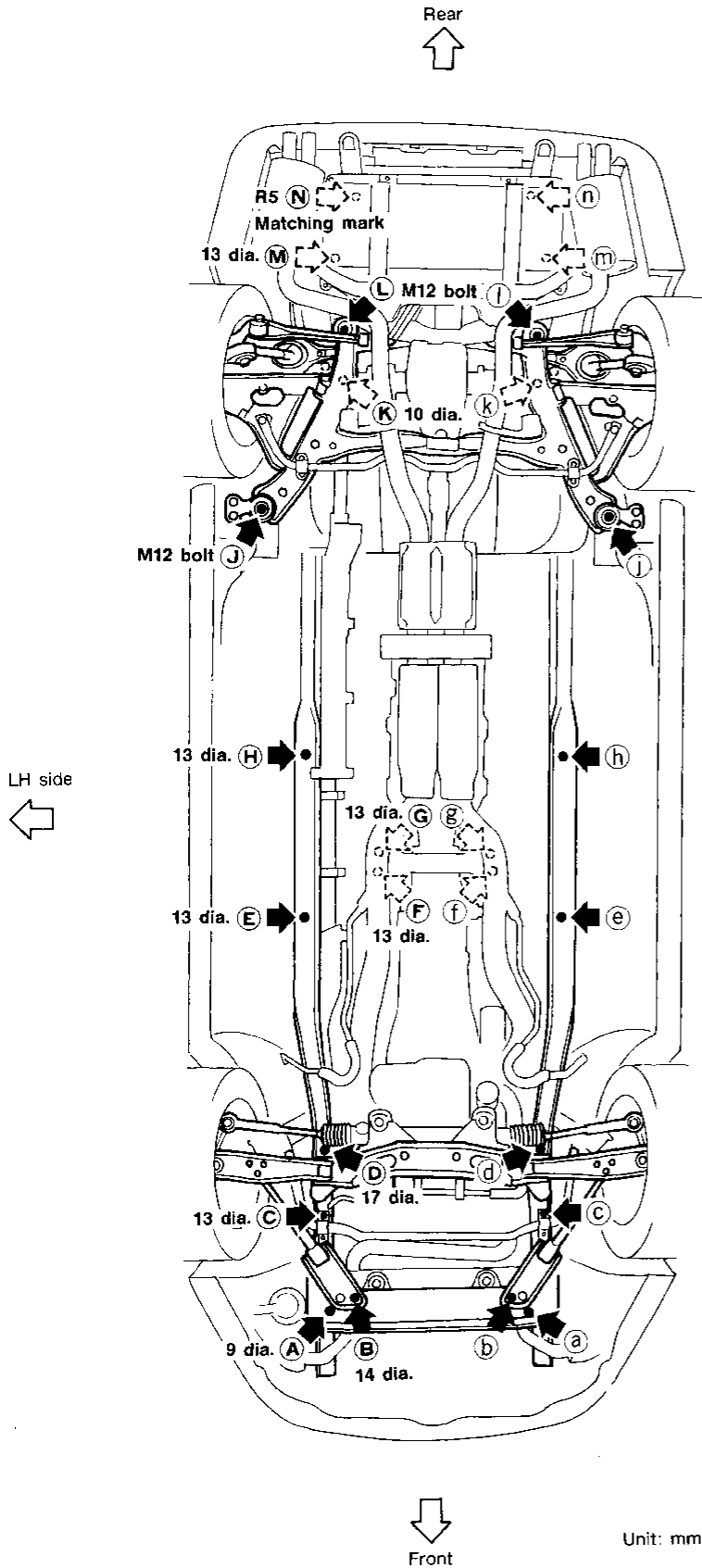
BODY ALIGNMENT

Underbody (Cont'd)

MEASUREMENT POINTS

2+2 seater model

GI
 MA
 EM
 LC
 EF & EC
 FE
 CL
 MT
 AT
 PD
 FA
 RA
 BR
 ST
 RS
BT
 HA
 EL
 IDX



Front coordinates:

Rear coordinates:

(A, a)
 X: 315
 Y: -460
 Z: 205.1

(J, j)
 X: 575
 Y: 2,150
 Z: 180.7

(B, b)
 X: 255.8
 Y: -431
 Z: 205.1

(K, k)
 X: 365
 Y: 2,625
 Z: 259.6

(C, c)
 X: 394
 Y: -170
 Z: 330

(L, l)
 X: 348
 Y: 2,740
 Z: 334.3

(D, d)
 X: 388
 Y: -22
 Z: 330

(M, m)
 X: 418.5
 Y: 3,000
 Z: 459.8

(E, e)
 X: 408.2
 Y: 750
 Z: 152.6

(N, n)
 X: 378
 Y: 3,290
 Z: 530

(F)
 X: 161
 Y: 917
 Z: 249

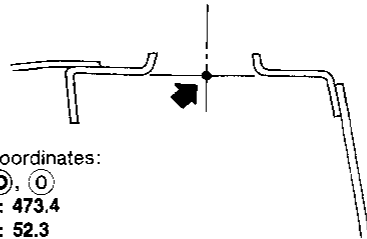
(f)
 X: 171
 Y: 917
 Z: 249

(G)
 X: 161
 Y: 977
 Z: 249

(g)
 X: 171
 Y: 977
 Z: 249

(H, h)
 X: 408.2
 Y: 1,250
 Z: 152.6

Front and rear strut tower centers



Coordinates:
(O, o)
 X: 473.4
 Y: 52.3
 Z: 727.2
(P, p)
 X: 477.9
 Y: 2,609.3
 Z: 727.8

Front: **(O, o)** 82.6 dia.
 Rear: **(P, p)** 46 dia.