

SECTION BF**CONTENTS**

GENERAL SERVICING (Including all clips & fasteners)	BF- 2
BODY END	BF- 6
DOOR (Including "Power Window" and "Power Door Lock")	BF-10
INSTRUMENT PANEL	BF-16
INTERIOR AND EXTERIOR (In EXTERIOR, including "Weatherstrips")	BF-18
T-BAR ROOF	BF-28
REAR AIR SPOILER	BF-30
SEAT	BF-32
WINDSHIELD AND WINDOWS	BF-35
MIRROR	BF-40
BODY ALIGNMENT	BF-42

When you read wiring diagrams:

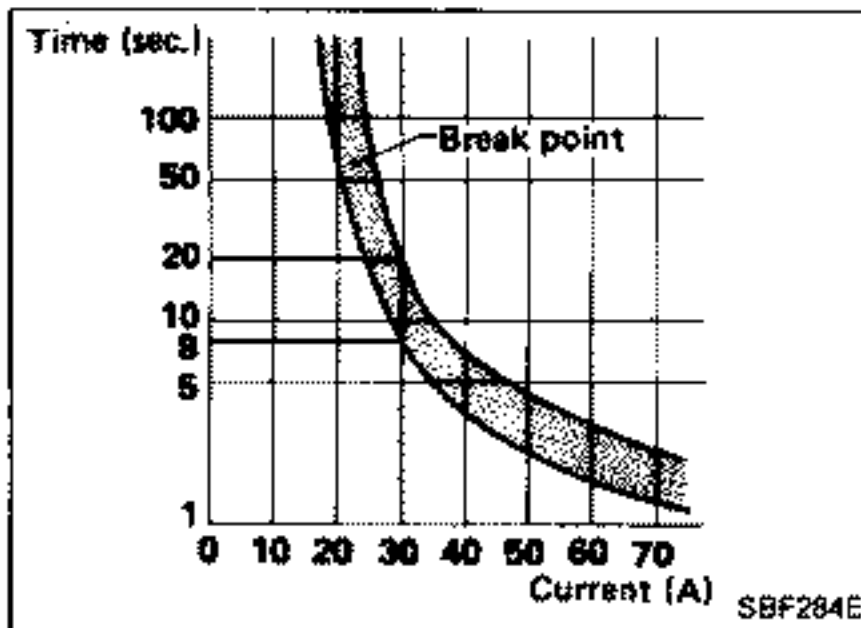
- Read GI section, "HOW TO READ WIRING DIAGRAMS".
- See EL section, "POWER SUPPLY ROUTING" for power distribution circuit.

★ For seat belt, refer to MA section.

GENERAL SERVICING

Precautions

- When removing or installing various parts, place a cloth or padding onto the vehicle body to prevent scratches.
- Handle trim, molding, instruments, grille, etc. carefully during removal or installation. Be careful not to soil or damage them.
- Apply sealing compound where necessary when installing parts.
- When applying sealing compound, be careful that the sealing compound does not protrude from parts.
- When replacing any metal parts (for example body outer panel, members, etc.), be sure to take rust prevention measures.



Circuit Breaker Inspection



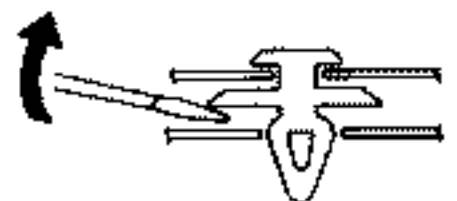

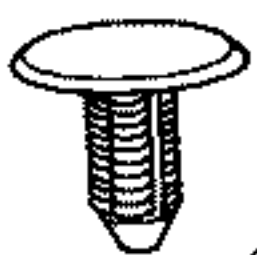
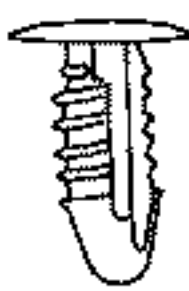
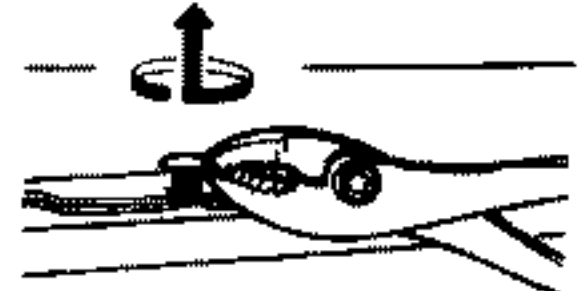
For example, when current is 30A, the circuit is broken within 8 to 20 seconds.

Circuit breakers are used in the following systems.

- Power window & power door lock
- Power seat



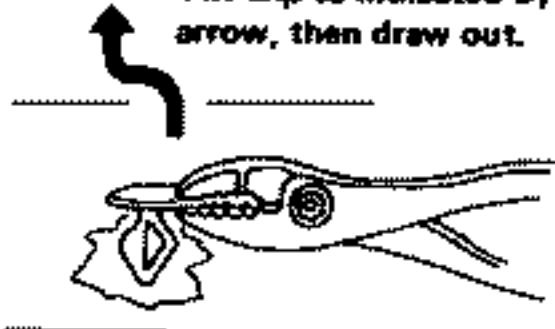
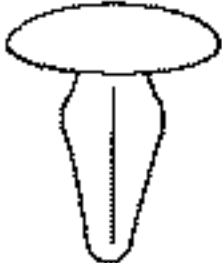

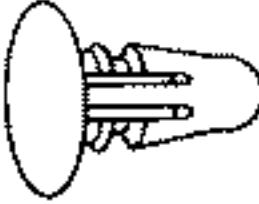



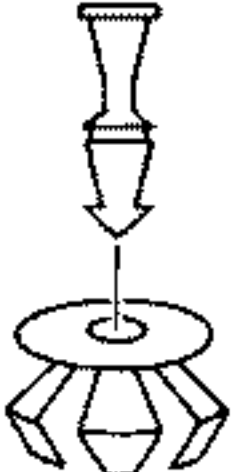

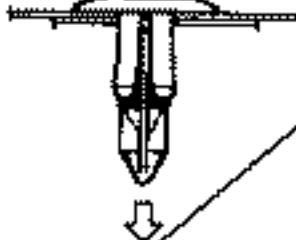
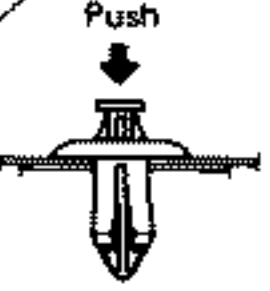

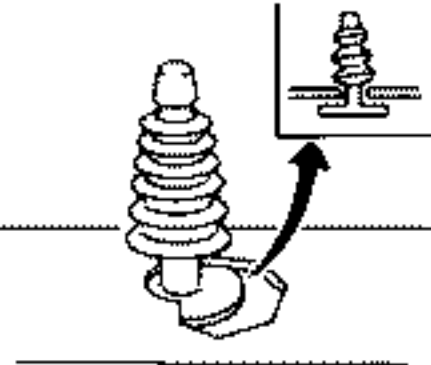
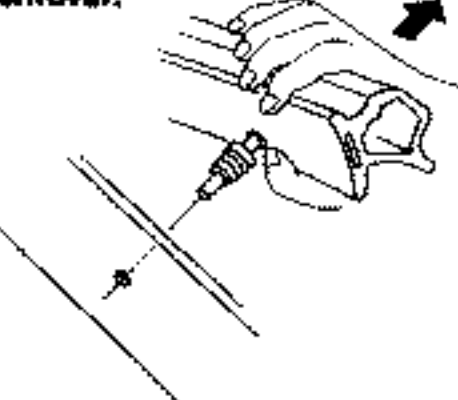
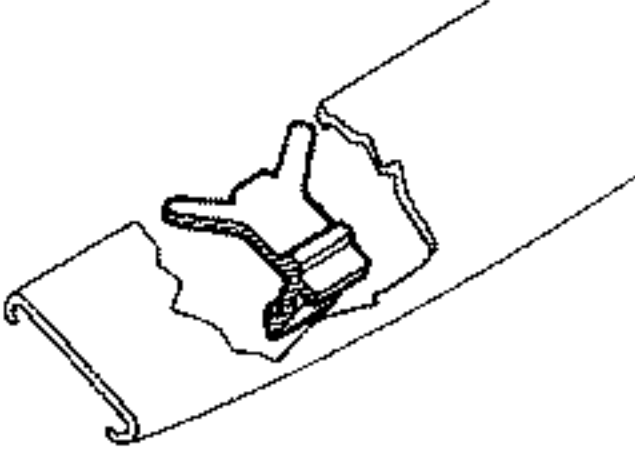
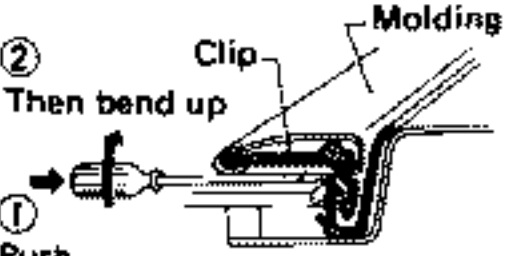
Clip and Fastener

- Clips and fasteners in BF section correspond to the following numbers and symbols.
- Replace any clips and/or fasteners which are damaged during removal or installation.

No.	Symbol	Shape	Removal & Installation
C101	 SBF092B	 SBF109B	Removal: Remove by bending up with a flat-bladed screwdriver.  SBF094B
C102	 SBF113B	 SBF114B  SBF137B	 Removal: Pull up while rotating. SBF115B

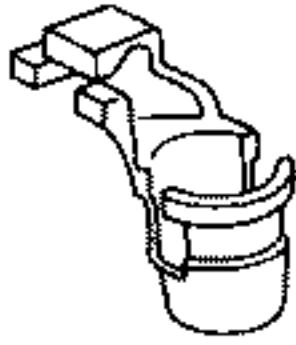
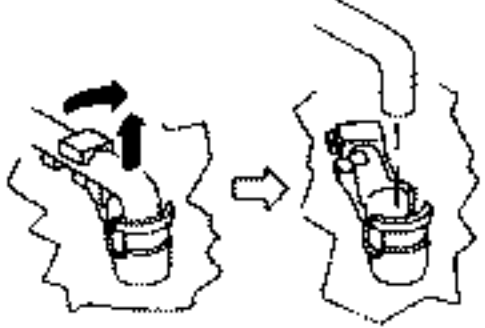

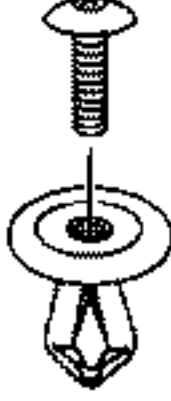
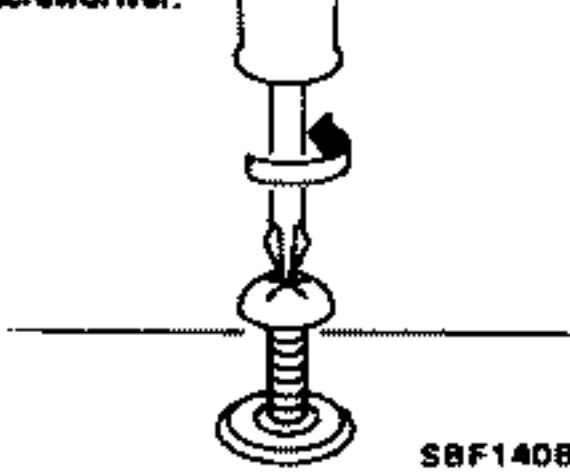
GENERAL SERVICING

Clip and Fastener (Cont'd)

No.	Symbol	Shape	Removal & Installation
C105	 <p style="text-align: center;">SBF141B</p>	 <p style="text-align: center;">SBF142B</p>	<p>Removal: Tilt clip as indicated by arrow, then draw out.</p>  <p style="text-align: right;">SBF143B</p>
C106	 <p style="text-align: center;">SBF089B</p>	   <p style="text-align: center;">SBF090B</p>	<p>Removal: Remove with flat-bladed screwdriver or pliers.</p>   <p style="text-align: right;">SBF091B</p>
C203	 <p style="text-align: center;">SBF318C</p>	 <p style="text-align: center;">SBF319C</p>	<p>Push center pin to catching position. (Do not remove center pin by hitting it.)</p> <p>Push</p>  <p>Installation:</p> <p>Push</p>  <p style="text-align: right;">SBF708E</p>
C103	 <p style="text-align: center;">SBF103B</p>	 <p style="text-align: center;">SBF104B</p>	<p>Removal:</p>  <p style="text-align: right;">SBF147B</p>
CE106	 <p style="text-align: center;">SBF653B</p>	<p>Removal:</p>  <p style="text-align: right;">SBF654B</p>	

GENERAL SERVICING

Clip and Fastener (Cont'd)

No.	Symbol	Shape	Removal & Installation
<p>CR103</p>		<p>SBF768B</p>	<p>Removal: Holder portion of clip must be spread out to remove rod.</p>  <p>SBF770B</p>
<p>CS102</p>	 <p>SBF138B</p>	 <p>SBF139B</p>	<p>Removal: Screw out with a Phillips screwdriver.</p>  <p>SBF140B</p>

GENERAL SERVICING

NOTE

BODY END

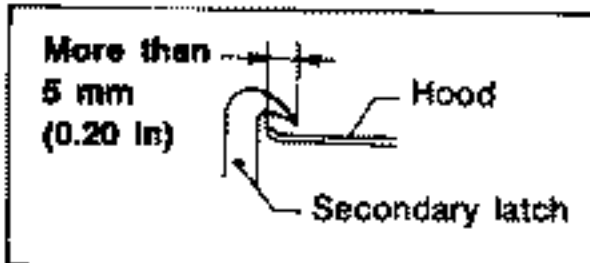
Body Front End

- Hood adjustment: Adjust at hinge portion.
- Hood lock adjustment: After adjusting, check hood lock control operation. Apply a coat of grease to hood lock engaging mechanism.
- Hood opener: Do not attempt to bend cable forcibly.

Hood lock adjustment

- Adjust lock so that hood primary lock meshes at a position where hood is 1 to 1.5 mm (0.039 to 0.059 in) lower than fender.
- After hood lock adjustment, adjust bumper rubber.
- When securing hood lock, ensure it does not tilt. Striker must be positioned at the center of hood primary lock.
- After adjustment, ensure that hood primary and secondary lock operate properly.

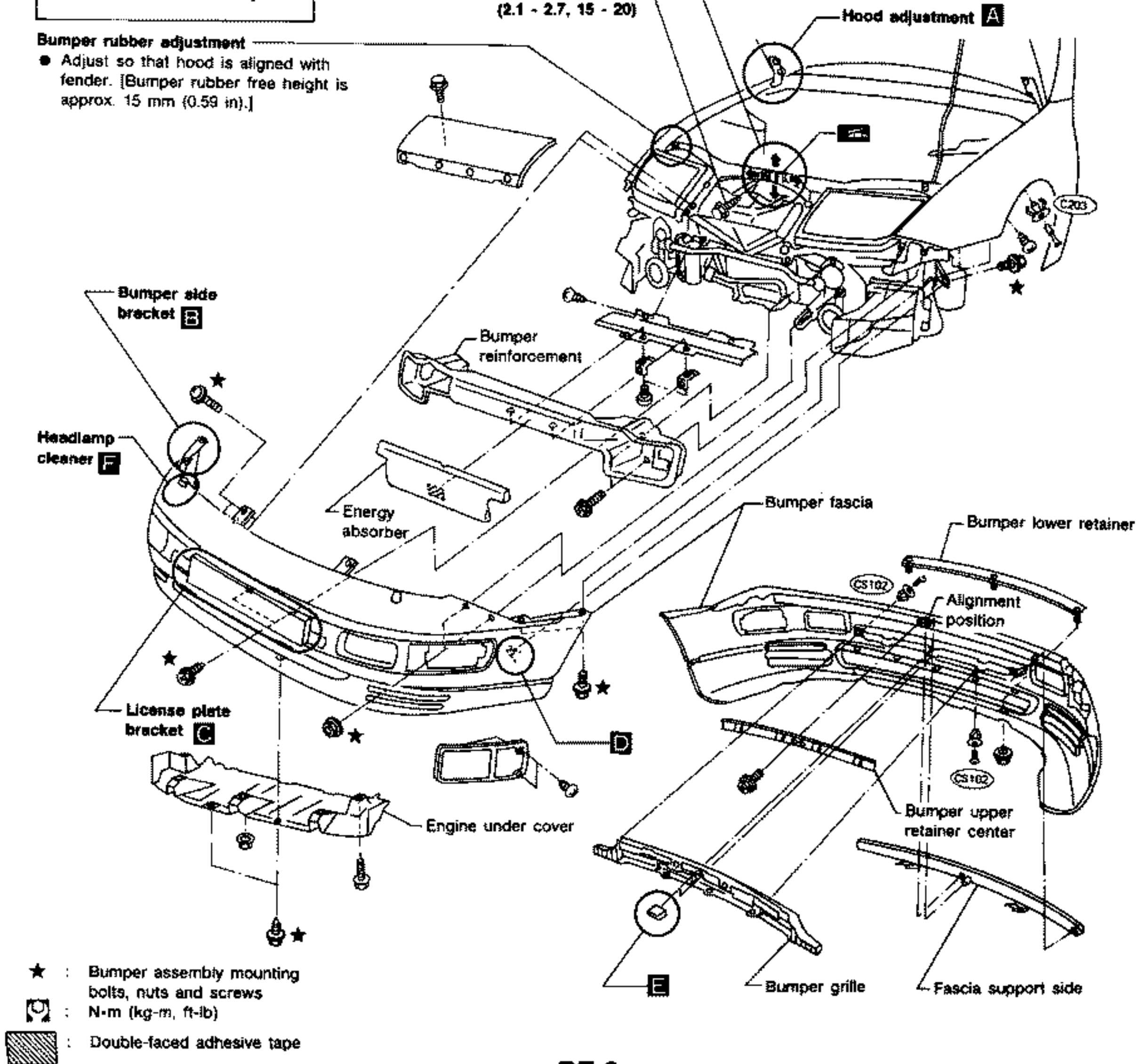
Hood lock secondary latch hooking length



21 - 26
(2.1 - 2.7, 15 - 20)

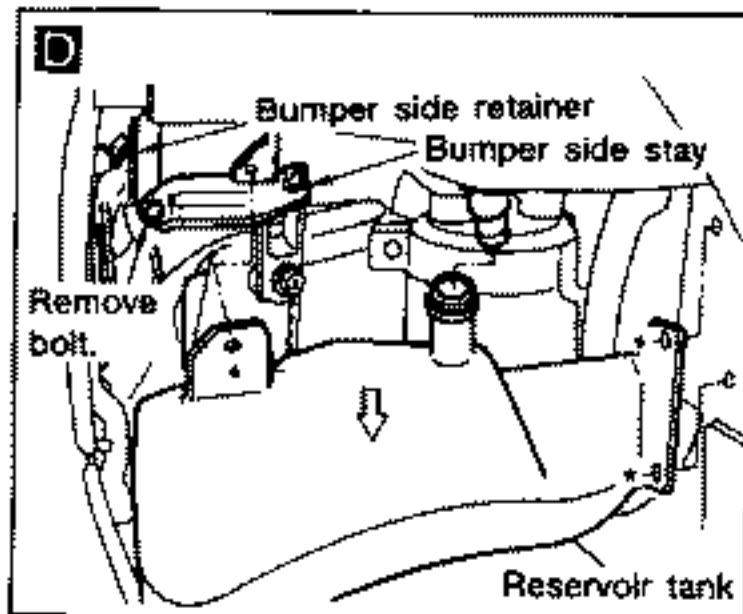
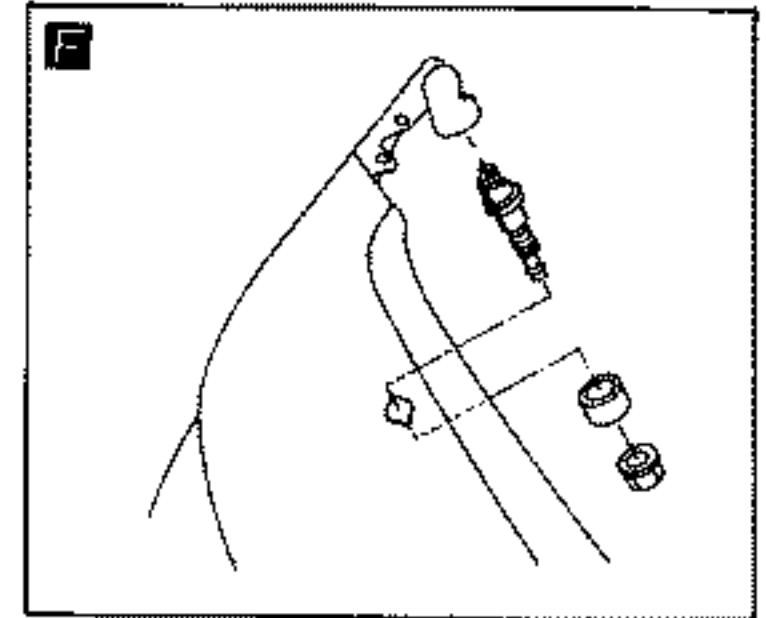
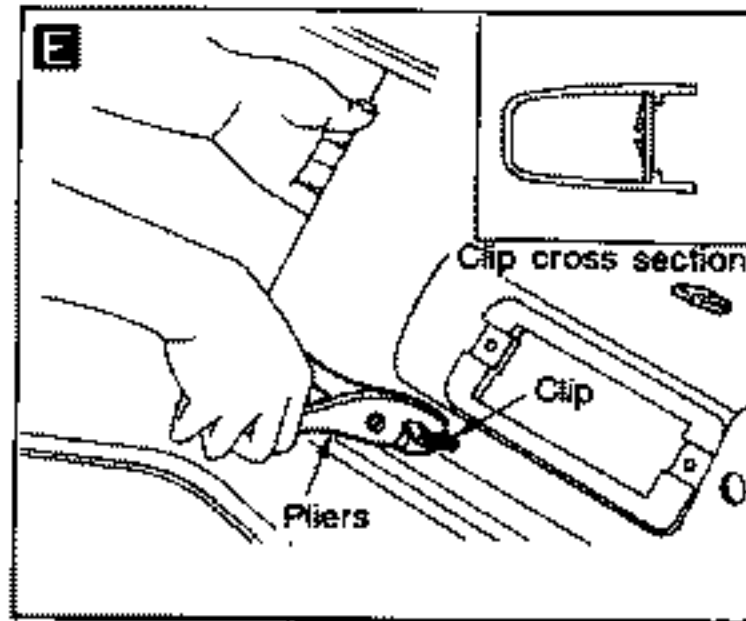
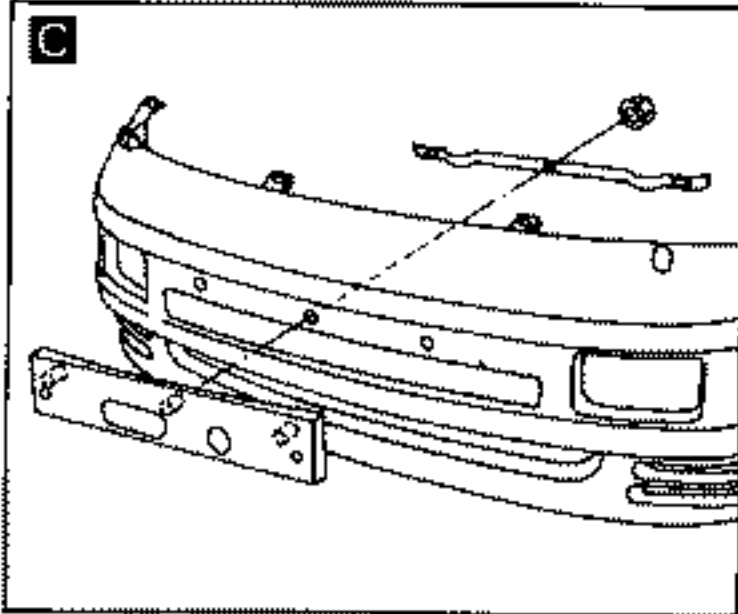
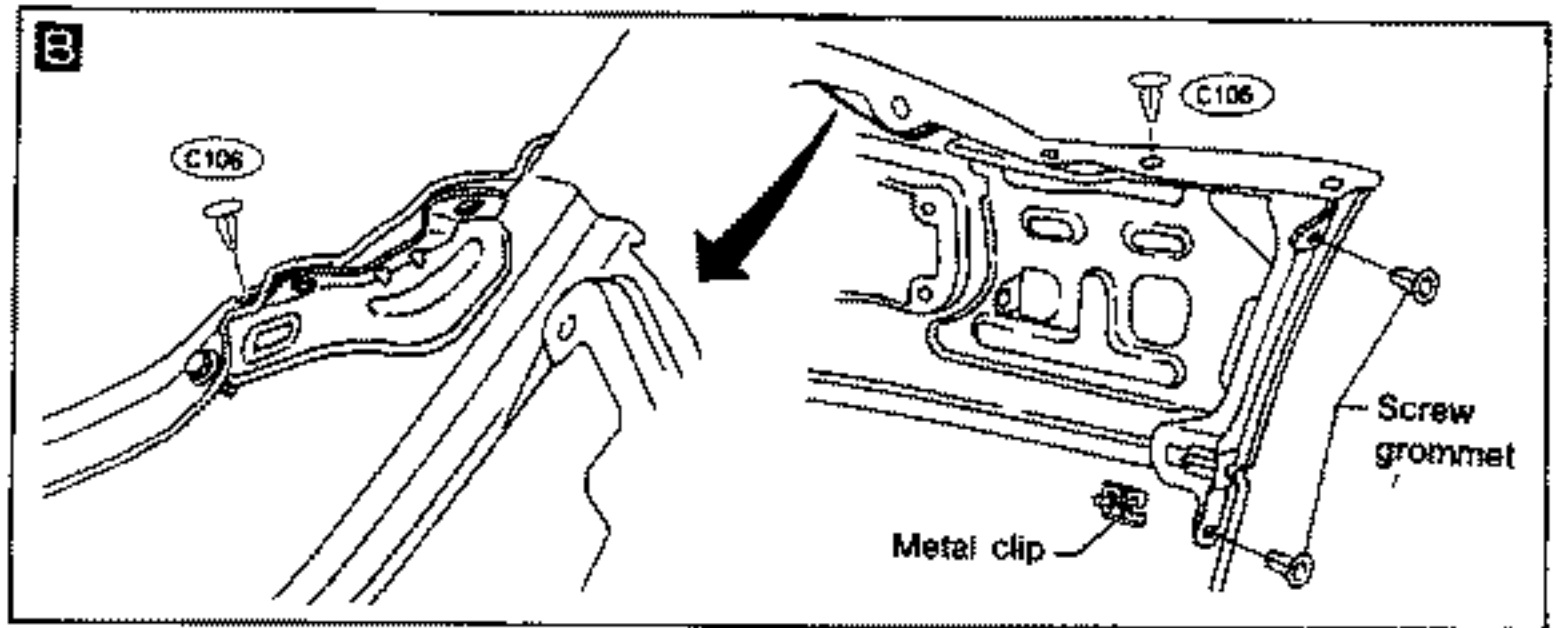
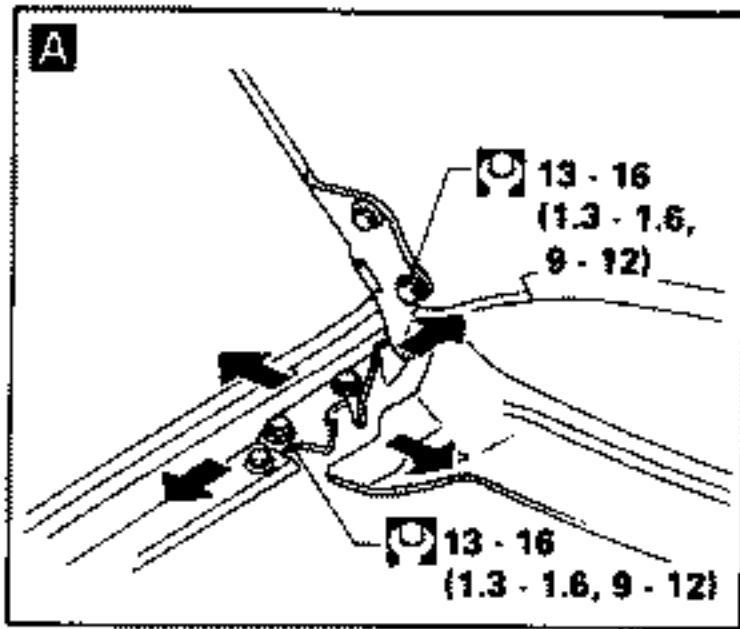
Bumper rubber adjustment

- Adjust so that hood is aligned with fender. [Bumper rubber free height is approx. 15 mm (0.59 in).]



BODY END

Body Front End (Cont'd)



- Remove front fender protectors. Remove bolts (* in figure at left) securing reservoir tank, and slide reservoir tank downward.
- Remove bolt securing bumper side stay.

MBF024A

Service Notice

- Be sure to enlarge hood hinge holes (hinge to hood side) less than 10 mm (0.39 in) dia. for easy hood adjustment at hood-hinge portion.
- Be sure to take rust prevention measures after enlargement of holes.

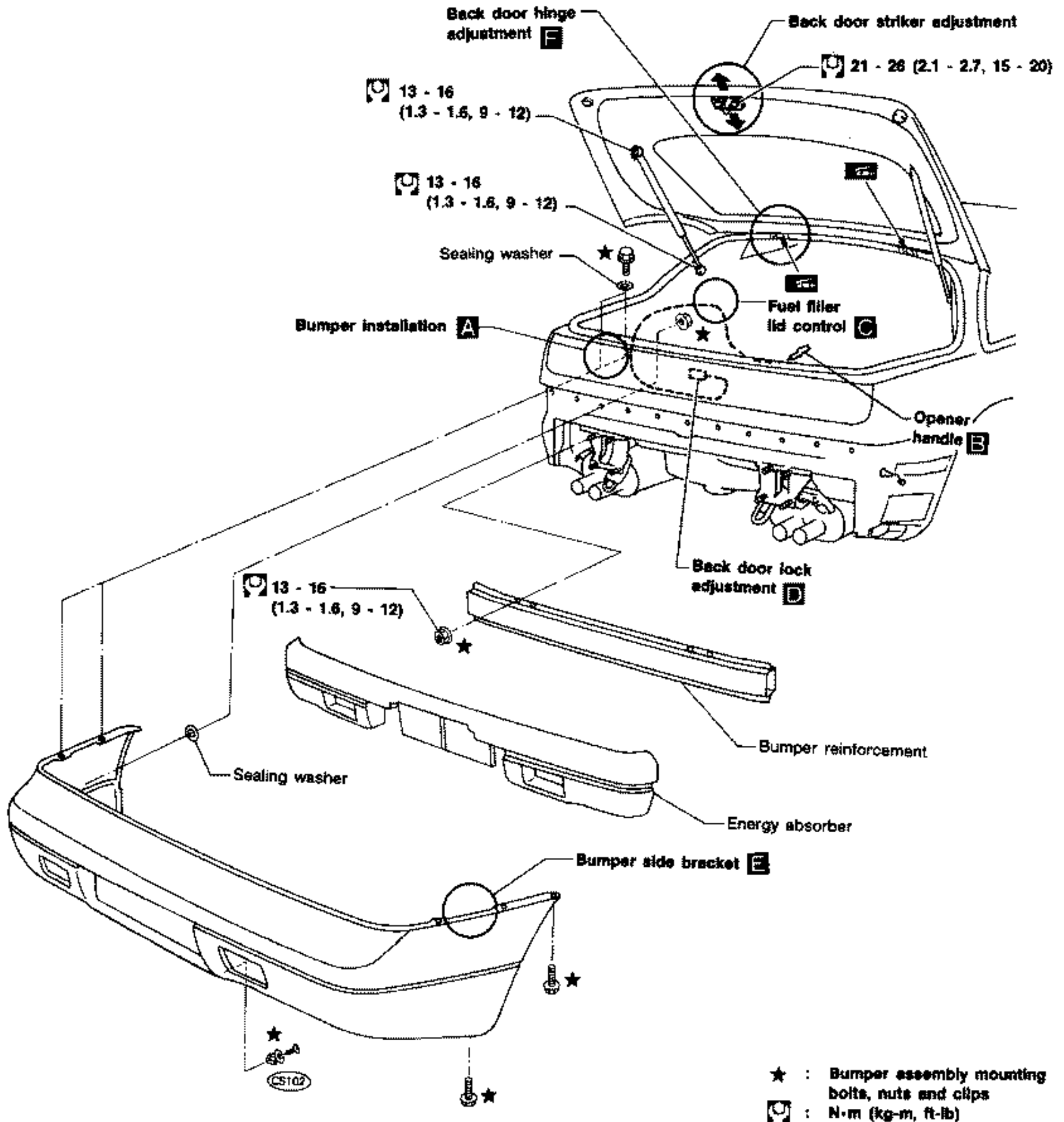
BODY END

Body Rear End and Opener

- Back door adjustment: Adjust at hinge-body portion for proper back door fit.
- Back door lock system adjustment: Adjust lock & striker so that they are in the center. After adjustment, check back door lock operation.

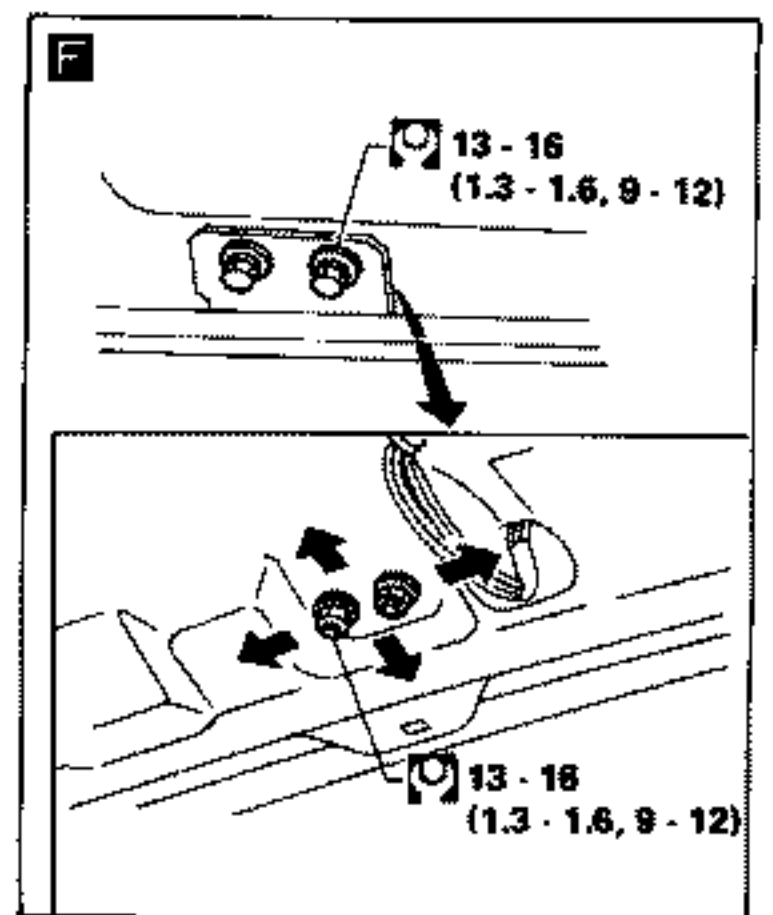
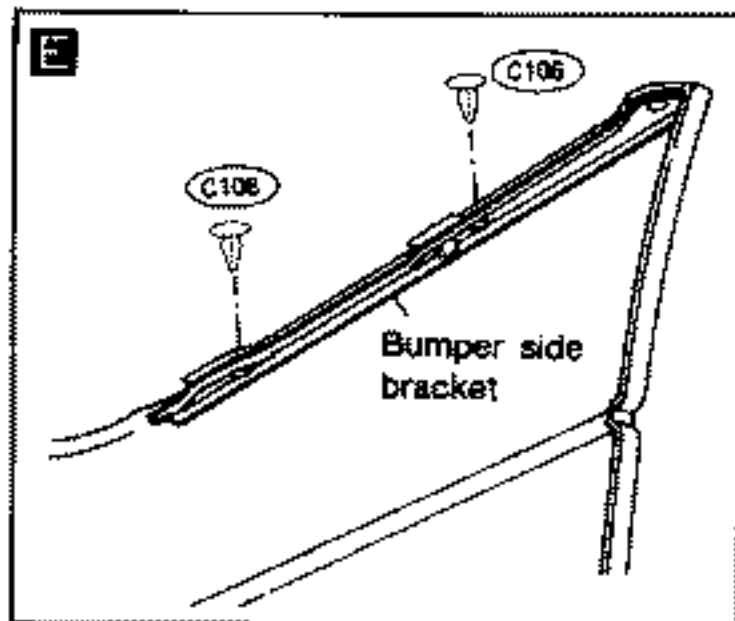
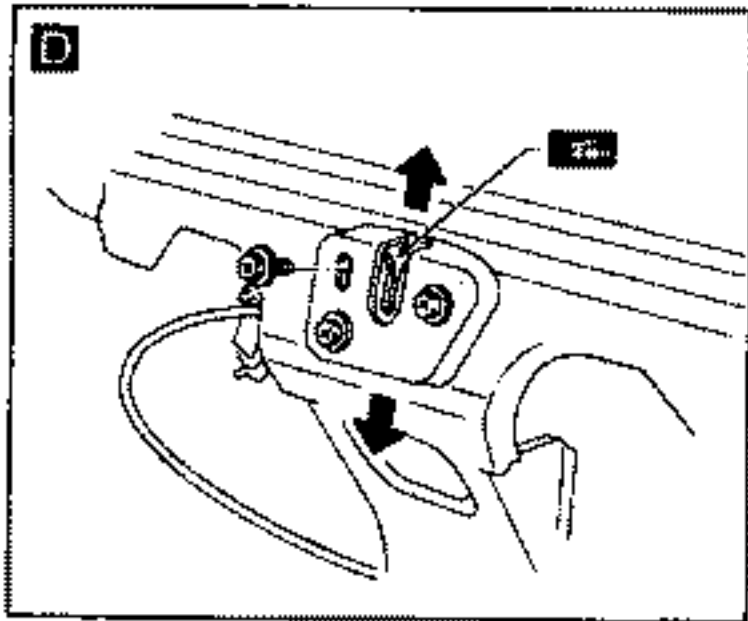
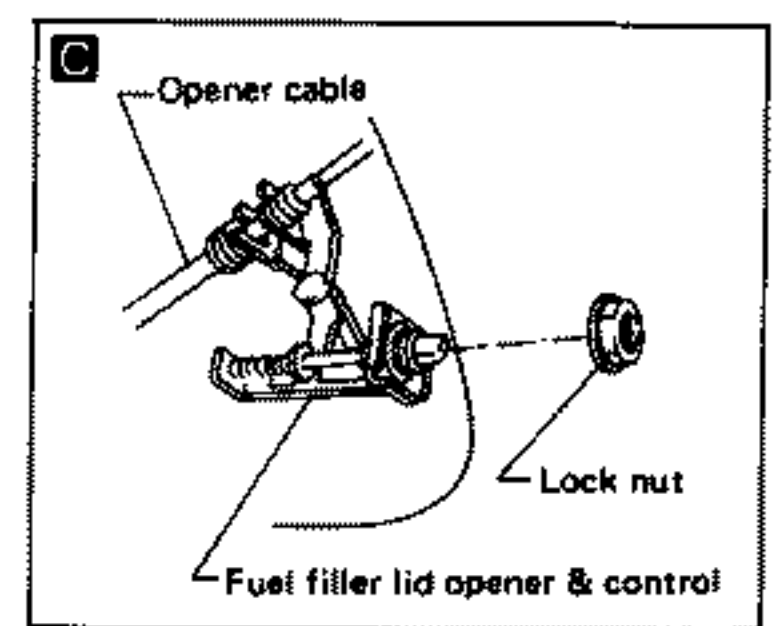
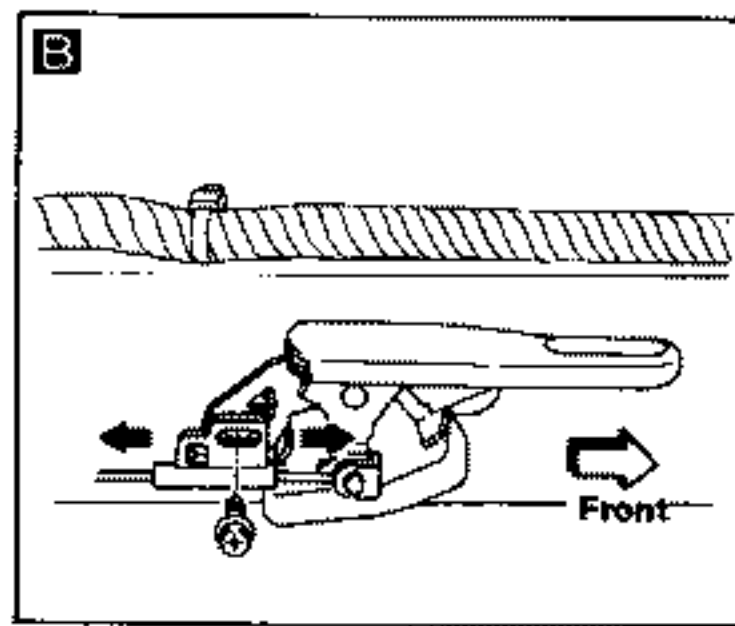
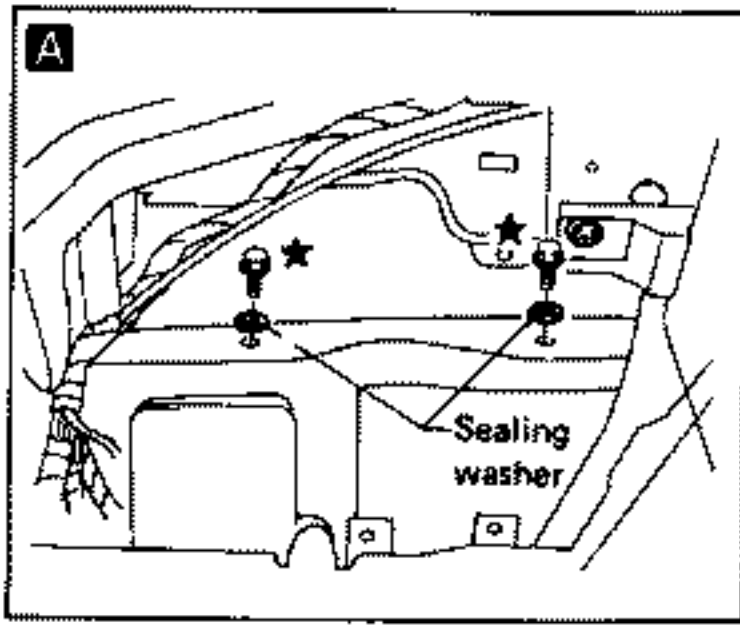
WARNING:

- a. Be careful not to scratch back door stay when installing back door. A scratched stay may cause gas leakage.
 - b. The contents of the back door stay are under pressure. Do not take apart, puncture, apply heat or allow fire near it.
- Opener cable: do not attempt to bend cable using excessive force.
 - After installation, make sure that trunk lid/back door and fuel filler lid open smoothly.



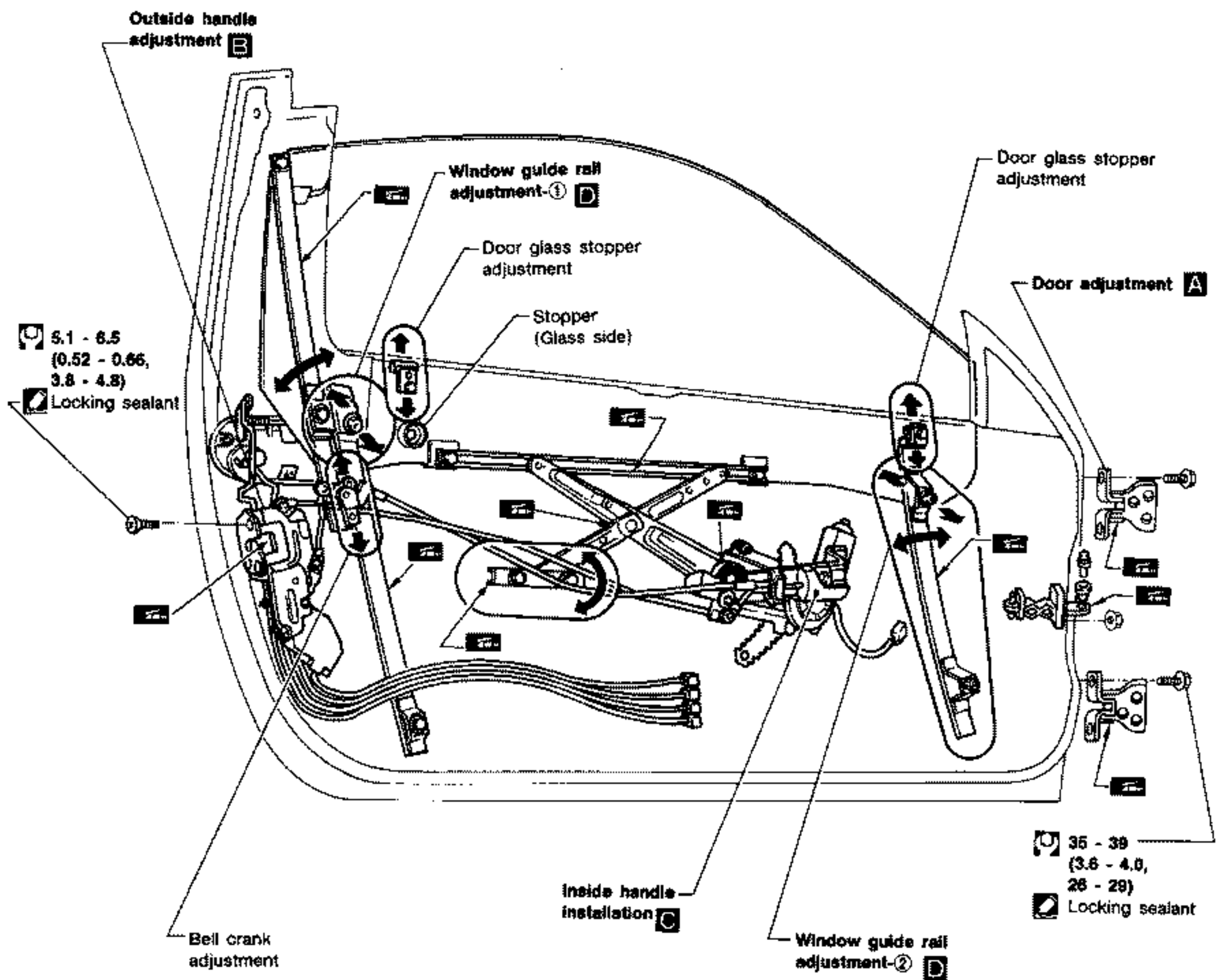
BODY END


Body Rear End and Opener (Cont'd)



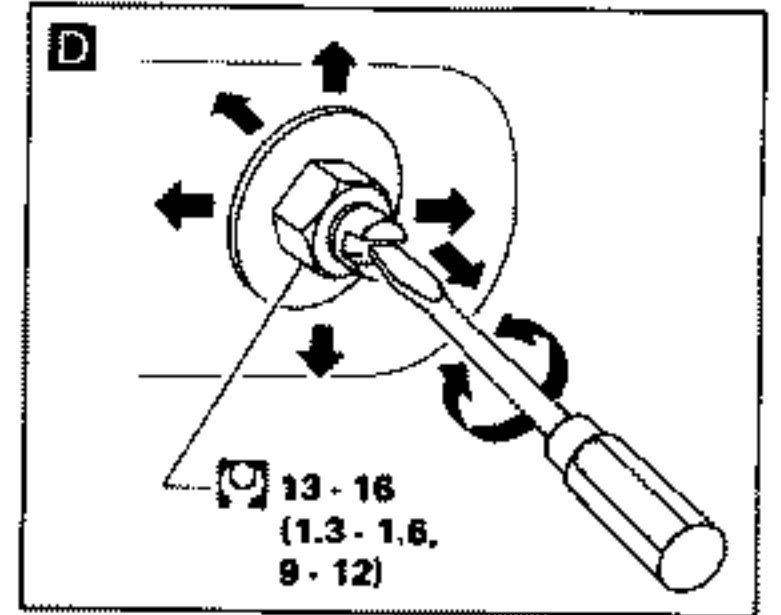
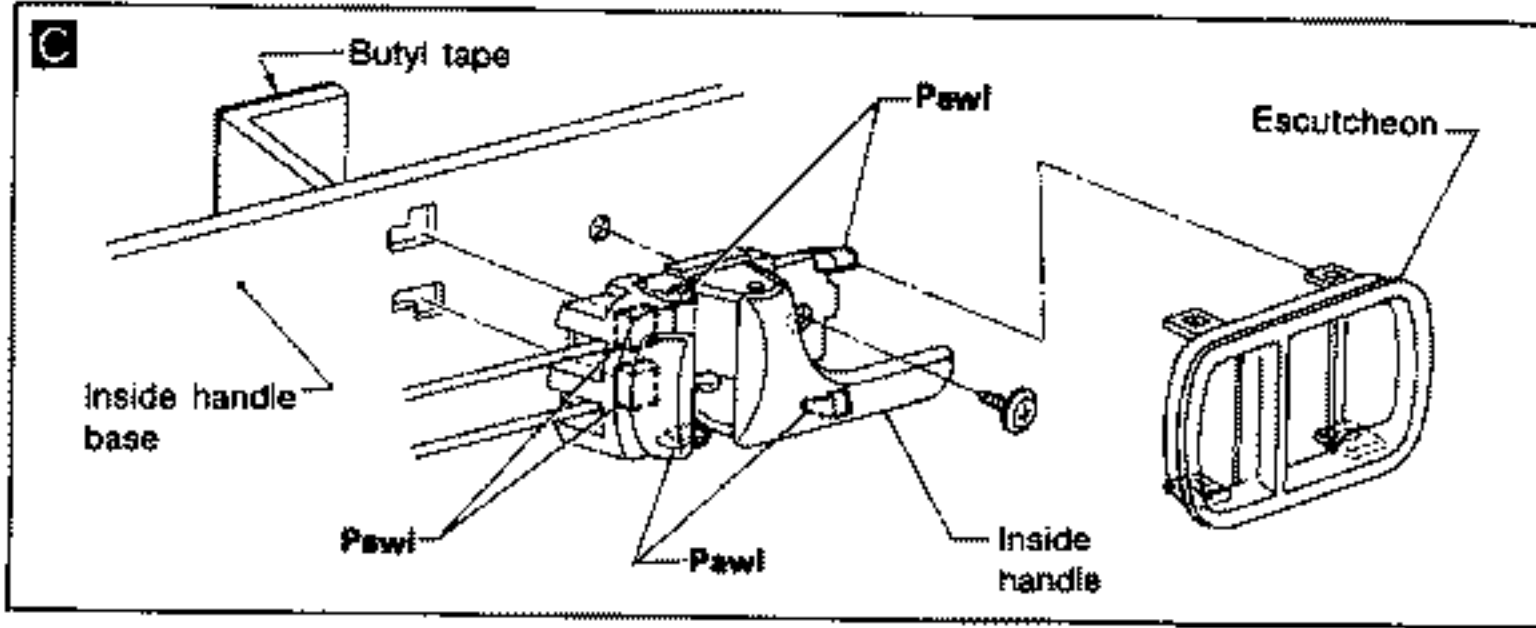
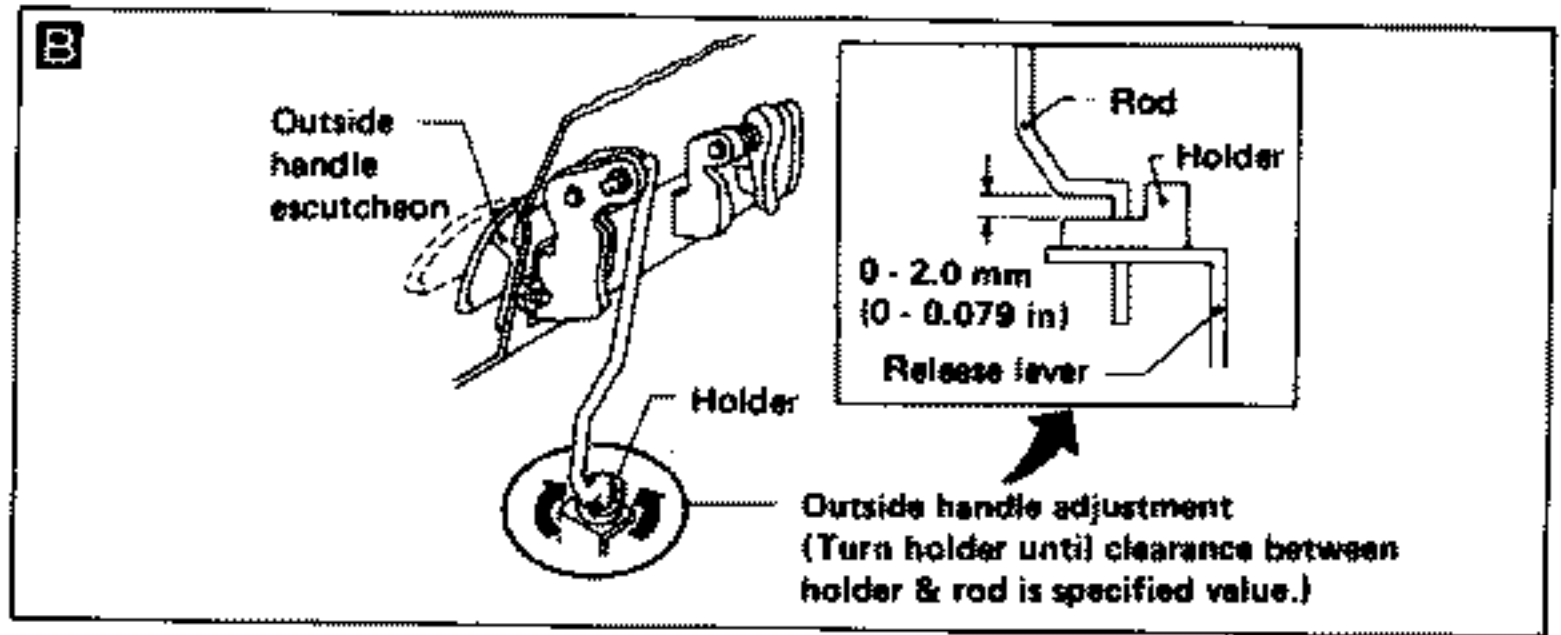
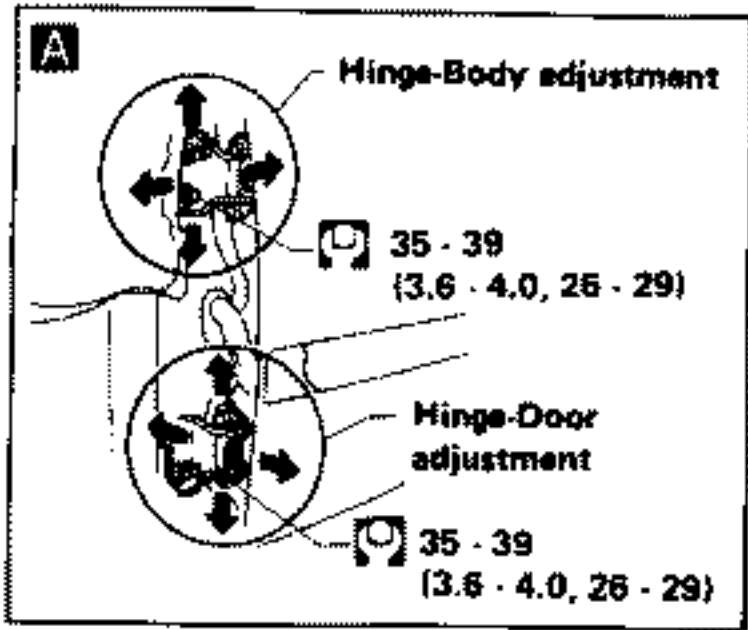
DOOR

- After adjusting door or door lock, check door lock operation.

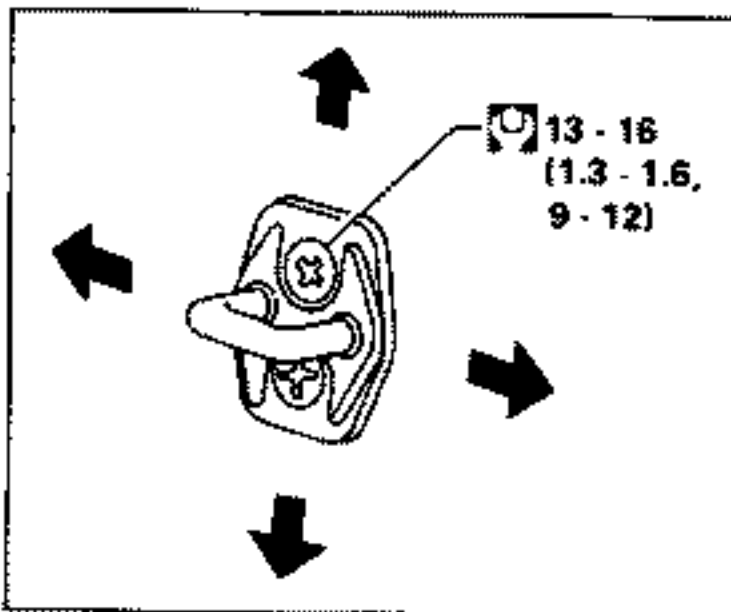


 : N·m (kg·m, ft·lb)

DOOR



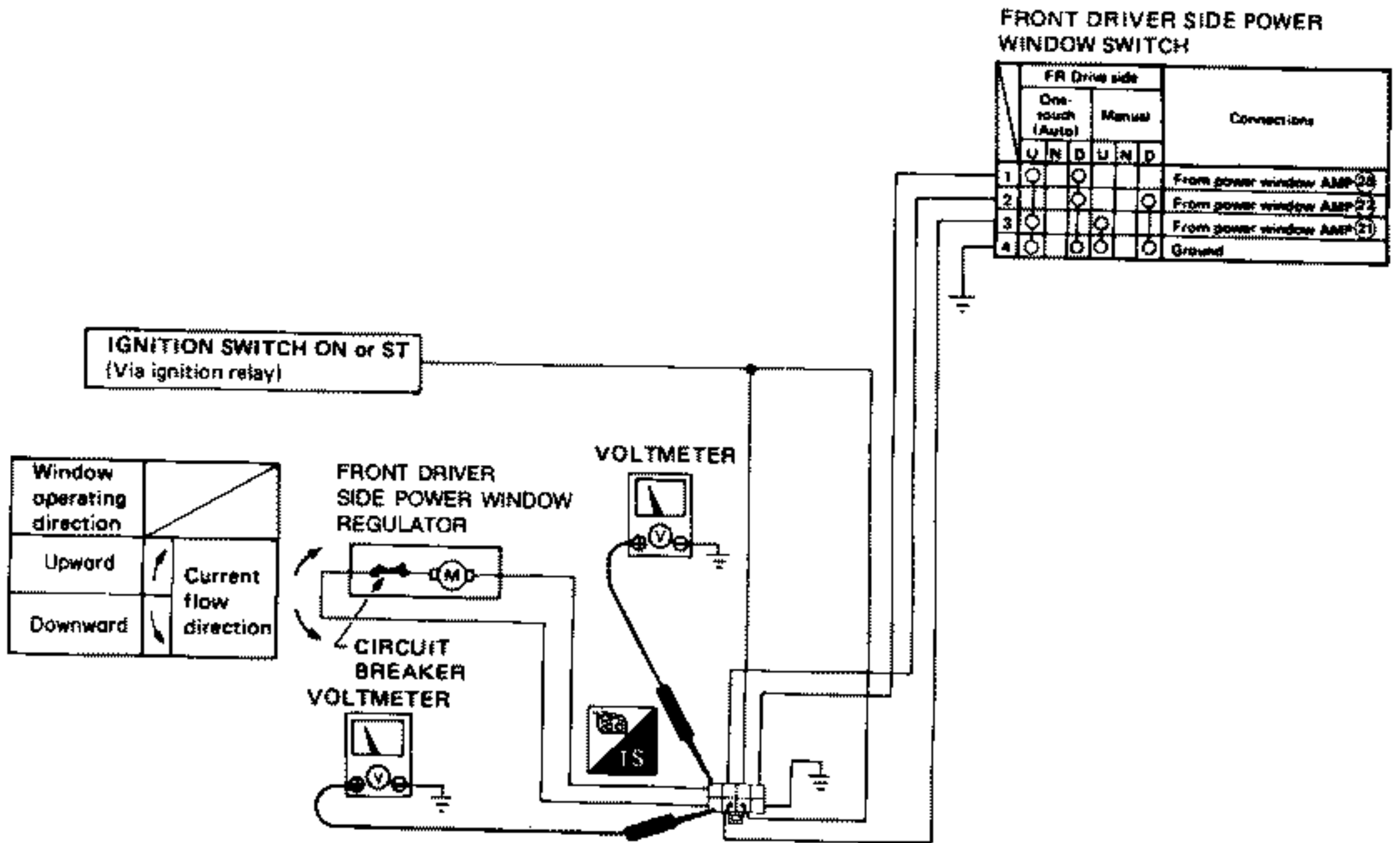
Striker adjustment



DOOR

Power Window (Cont'd)

POWER WINDOW AMP. INSPECTION



AMP. OPERATION

Connections	Operations								
	Manual operation				One-touch (Auto) Operation				
	12V	12V	12V	12V	12V	12V	12V	12V	12V
24 Power source (IGN)	12V	12V	12V	12V	12V	12V	12V	12V	12V
27 Ground	Ground	Ground	Ground	Ground	Ground	Ground	Ground	Ground	Ground
23 From ignition SW (ON or ST)	ON or ST	ON or ST	ON or ST	ON or ST	ON or ST	ON or ST	ON or ST	ON or ST	ON or ST
28 To FR driver side power window SW (AUTO) (1)	OFF	OFF	OFF	OFF	ON	OFF	ON	OFF	OFF
21 To FR driver side power window SW (UP) (3)	OFF	ON	OFF	OFF	ON	OFF	OFF	OFF	OFF
22 To FR driver side power window SW (DOWN) (2)	OFF	OFF	ON	OFF	OFF	OFF	ON	OFF	OFF
25 FR driver side regulator ("Up" power source)	Approx. 0V	Approx. over 9V	Approx. 0V	Approx. 0V	Approx. over 9V	Approx. over 9V	Approx. 0V	Approx. over 9V	Approx. 0V
26 FR driver side regulator ("Down" power source)	Approx. 0V	Approx. 0V	Approx. over 9V	Approx. 0V	Approx. 0V	Approx. 0V	Approx. over 9V	Approx. over 9V	Approx. over 9V

Regulator Operating Condition	Stop	Upward operation	Downward operation	Stop	Starting	Keeps operating until fully close, then stops automatically.	Starting	Keeps operating until fully open, then stops automatically.
					Upward operation (U)		Downward operation (D)	

Carry out this operation check in this chart from left to right.

POWER WINDOW AMP. — Front driver side door (Behind door trim)

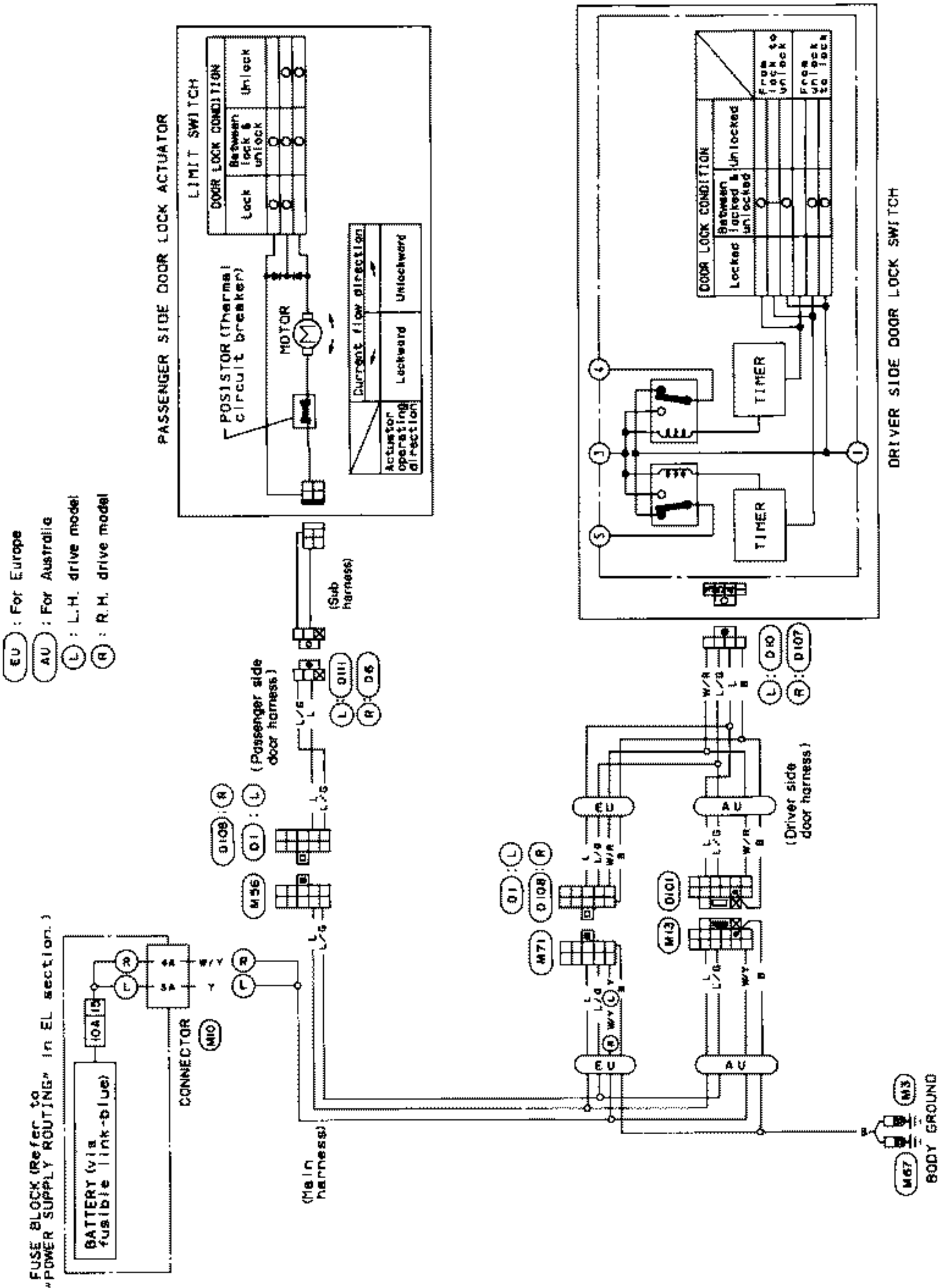
(X) Except for Fielded

SBF831F

DOOR

Power Door Lock

WIRING DIAGRAM

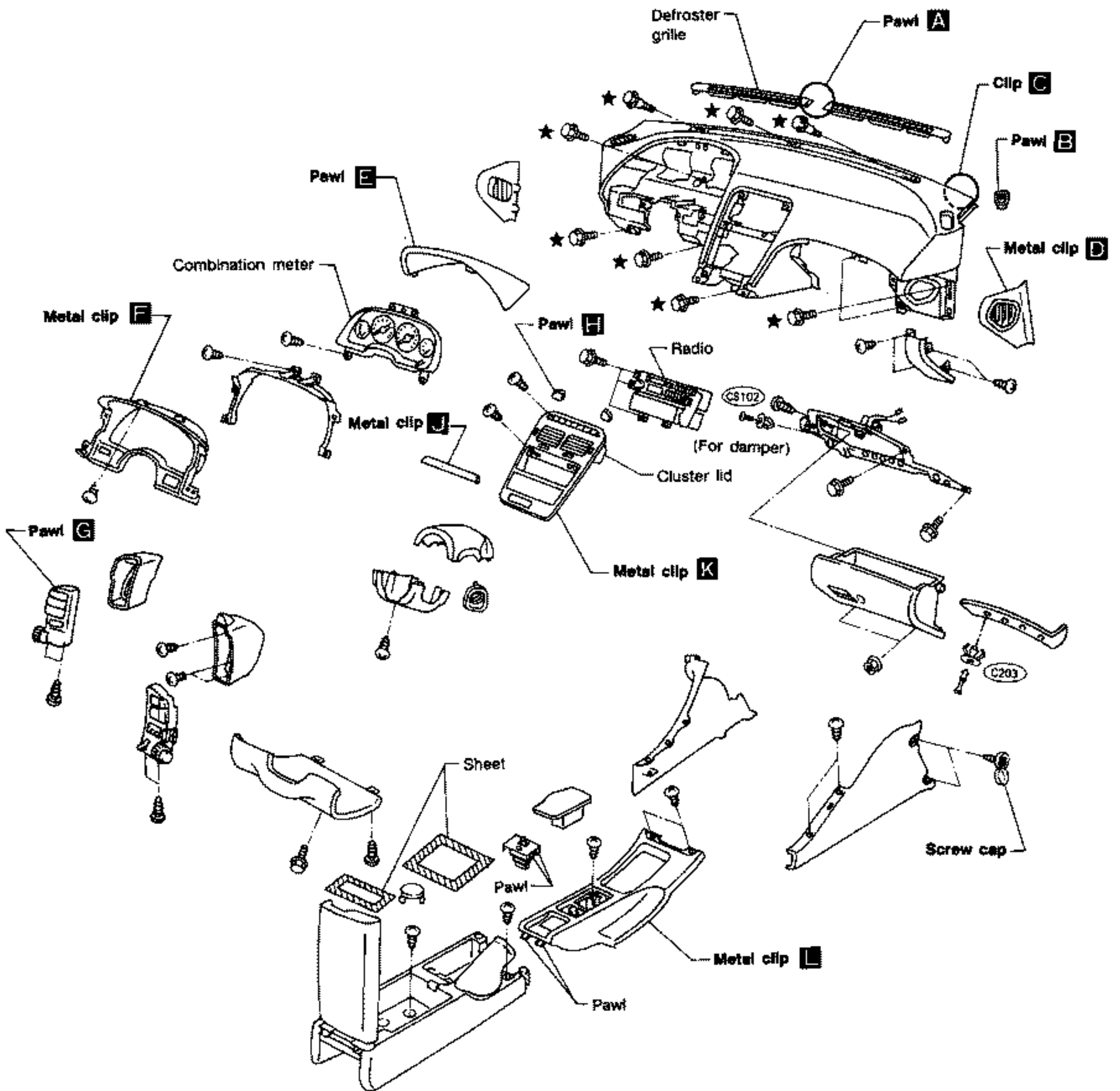



DOOR

NOTE

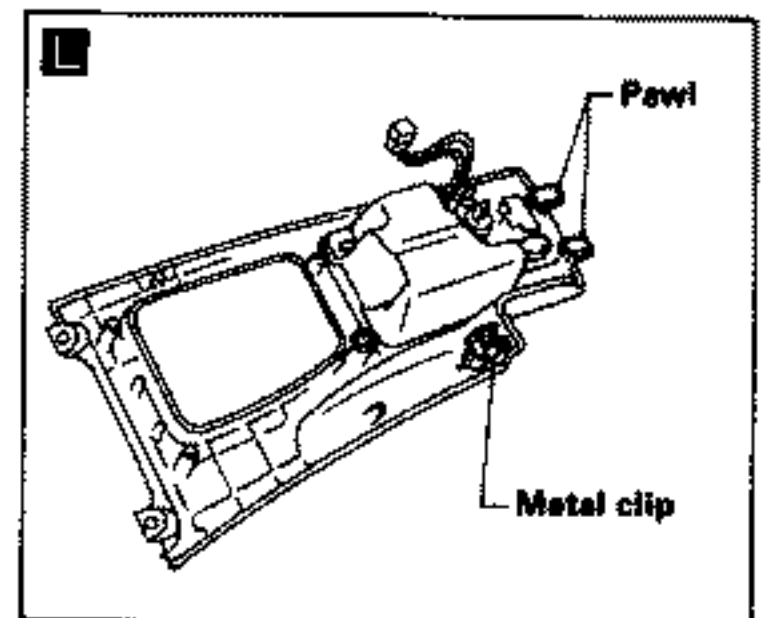
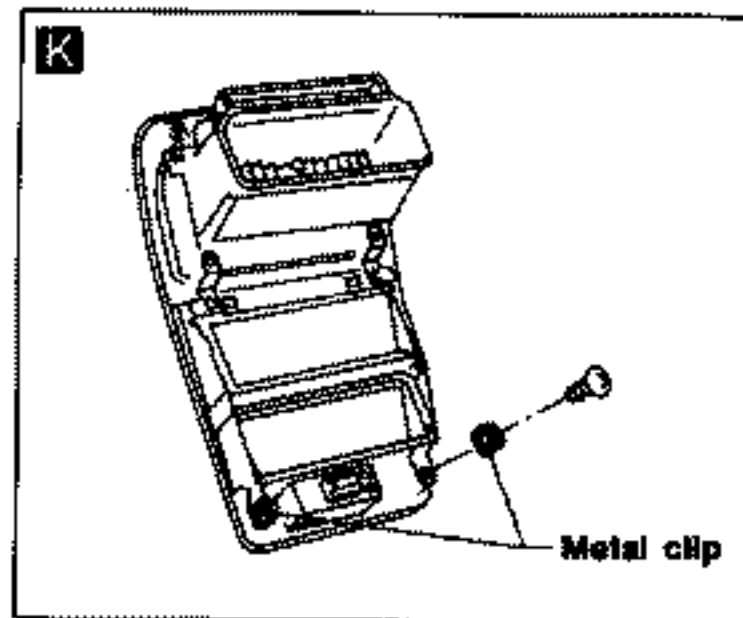
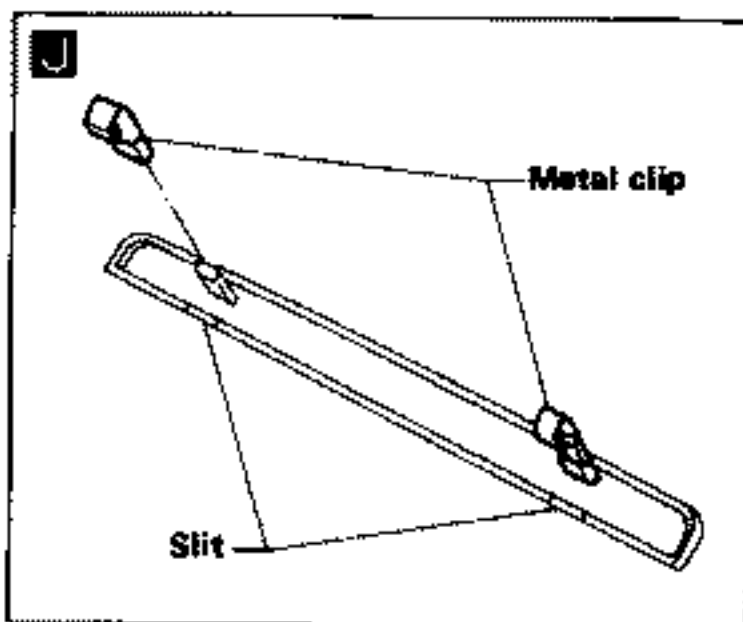
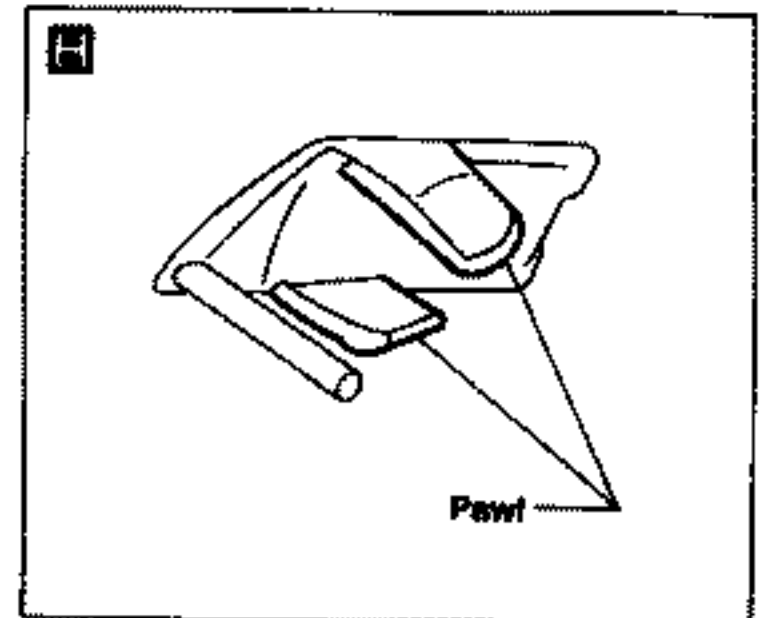
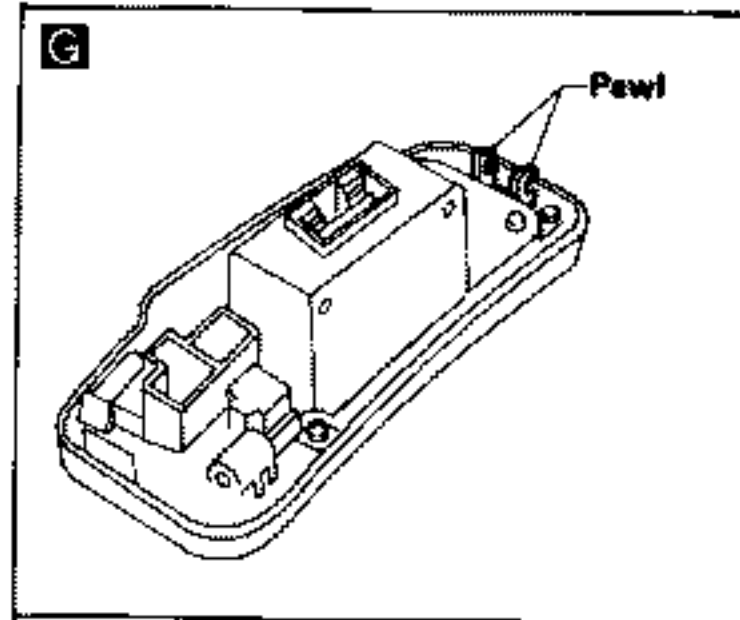
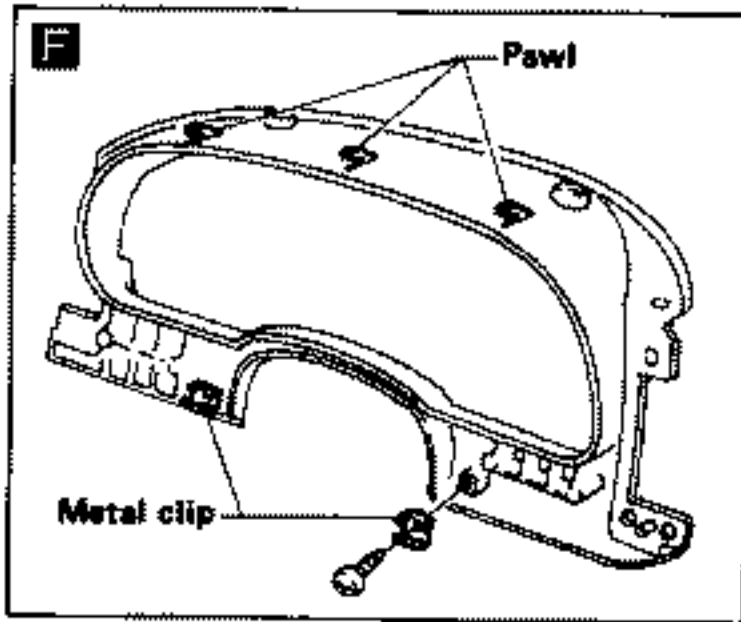
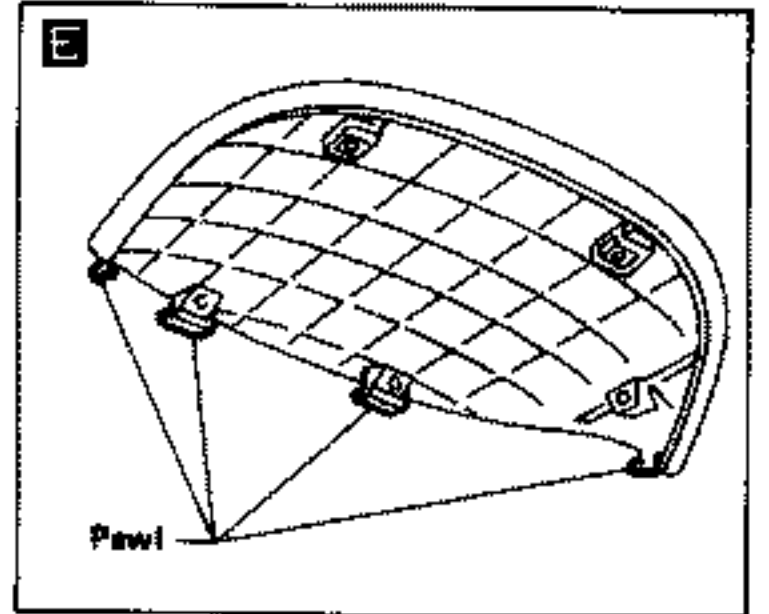
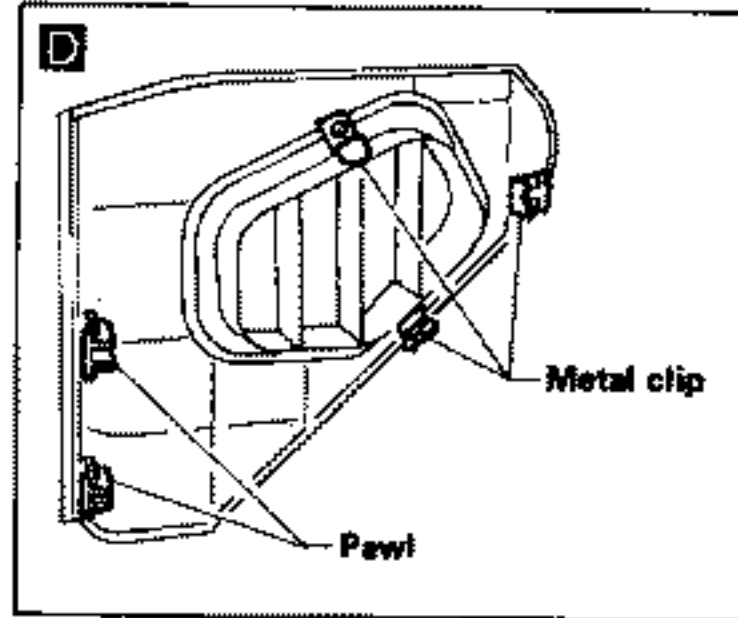
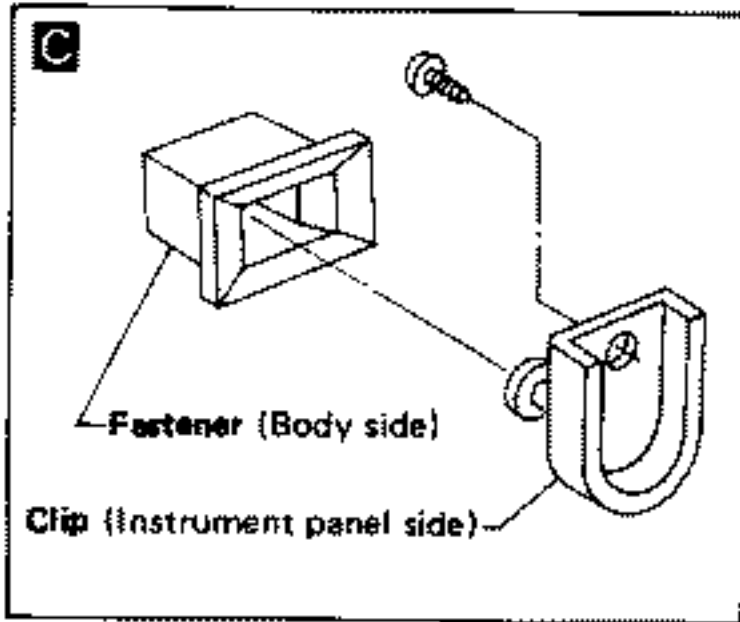
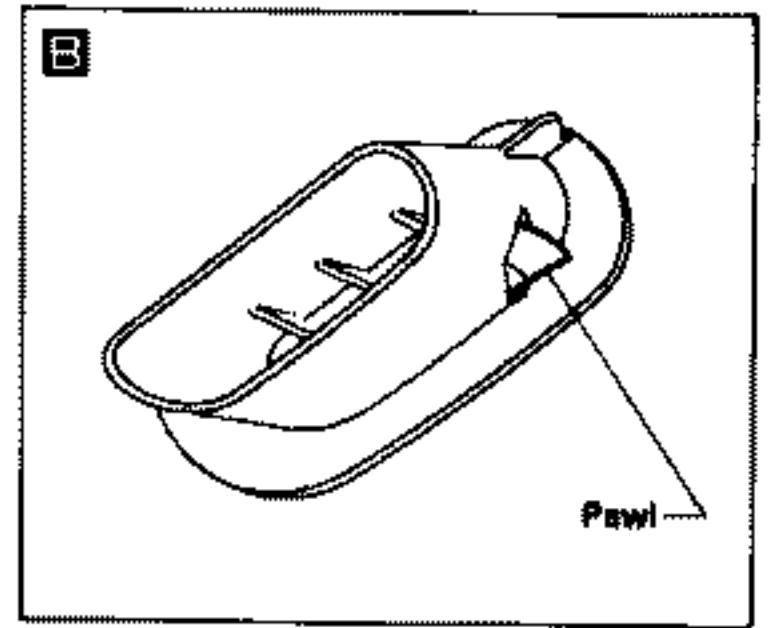
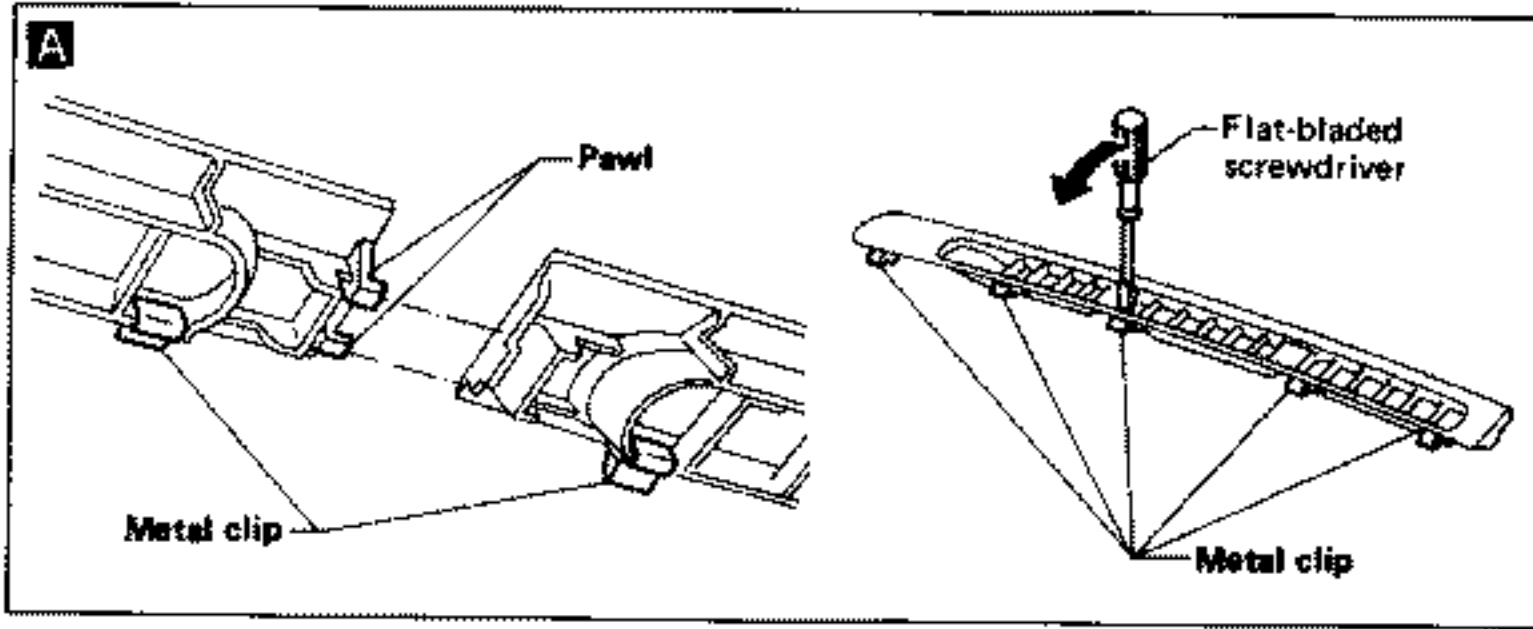
INSTRUMENT PANEL

- When removing instrument panel assembly, remove defroster grille, combination meter, cluster lid and radio first.



-  : Double-faced adhesive tape
- ★ : Instrument panel assembly mounting bolts

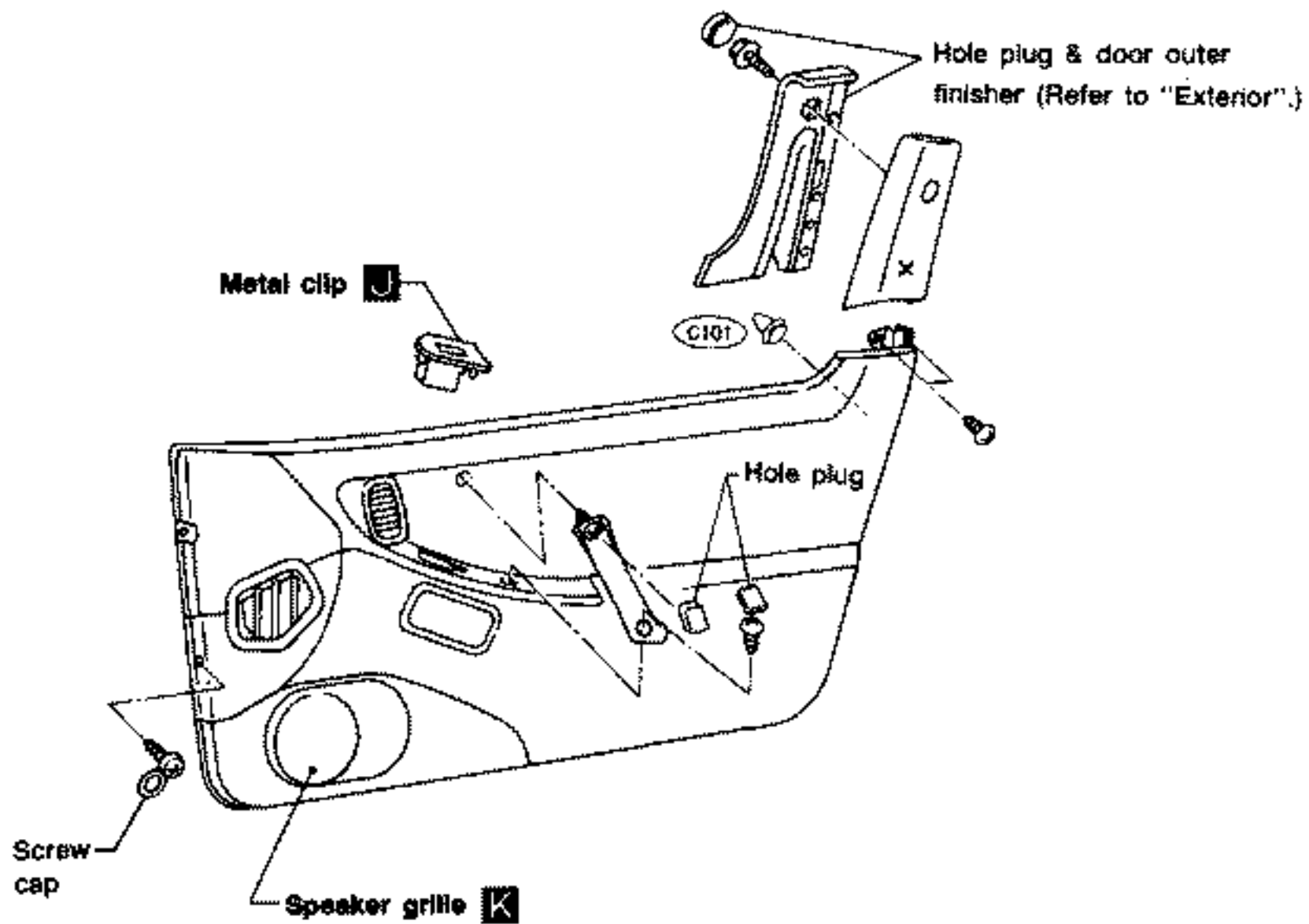
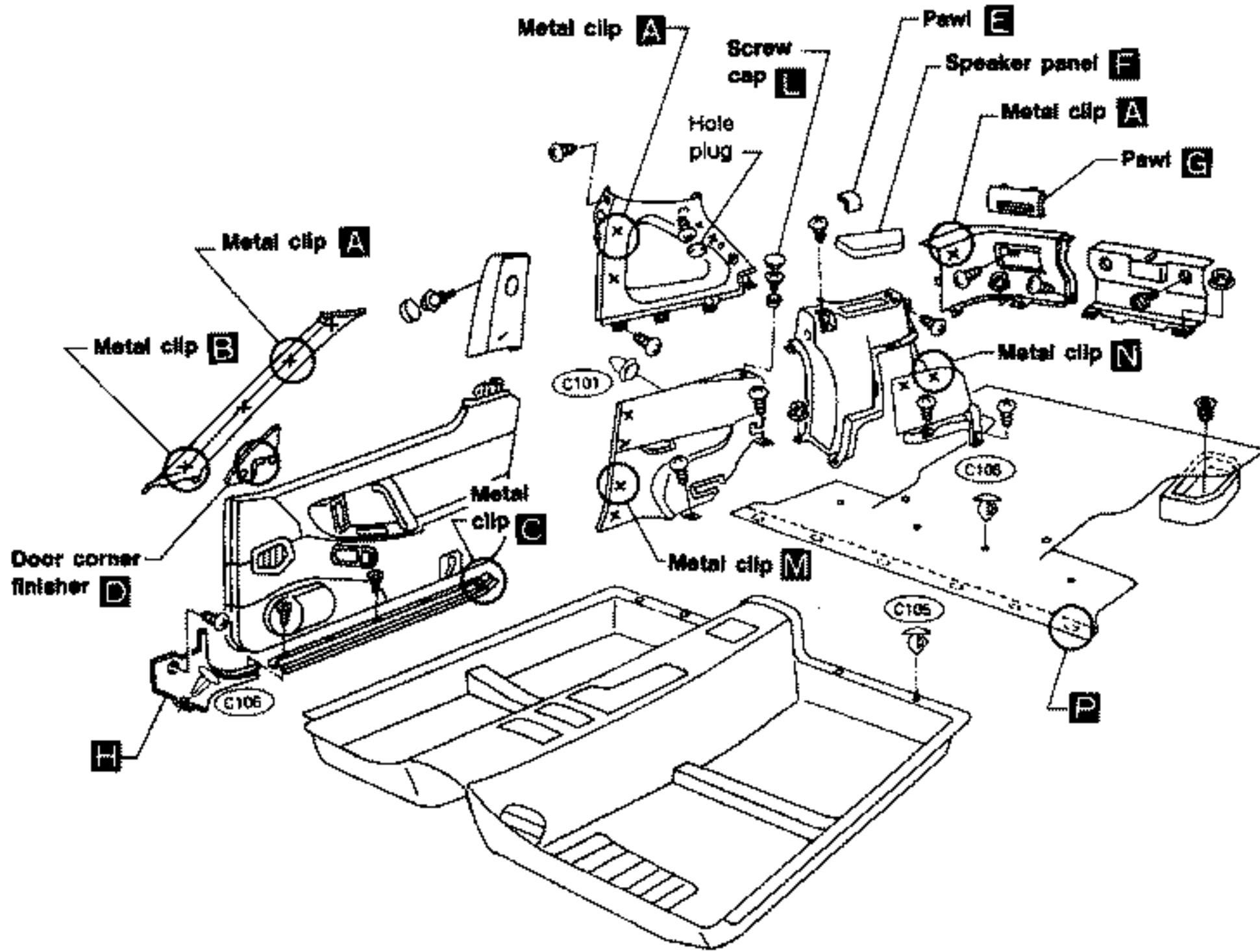
INSTRUMENT PANEL



INTERIOR AND EXTERIOR

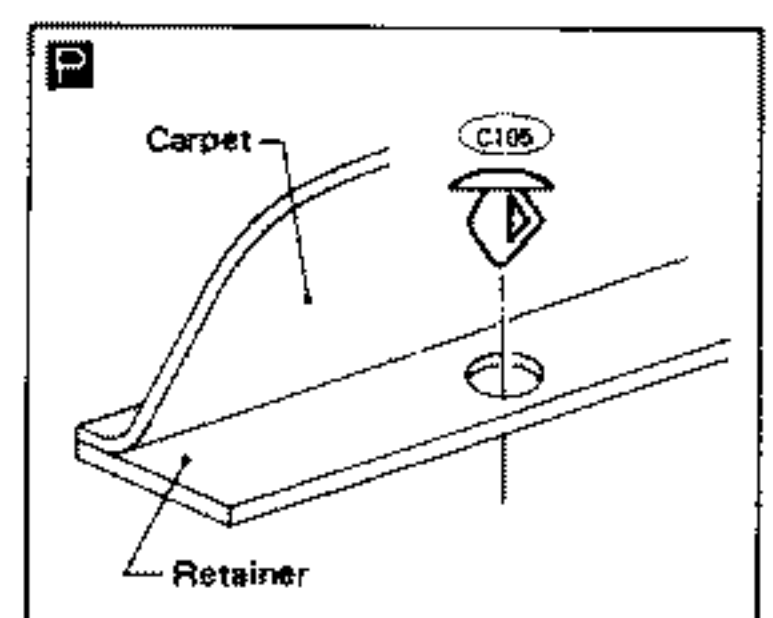
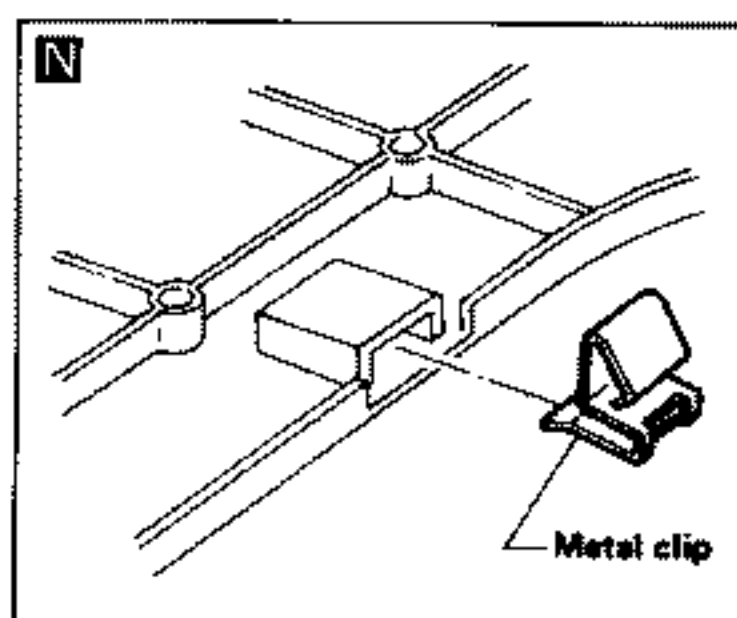
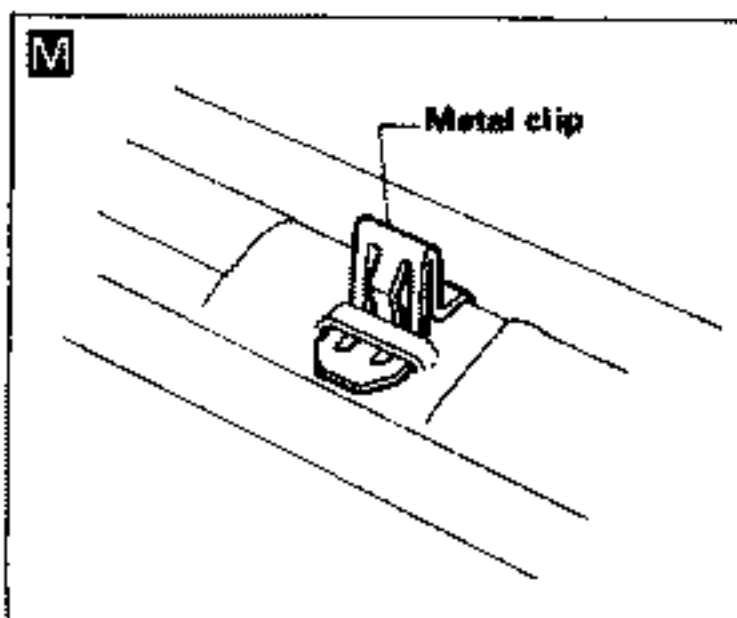
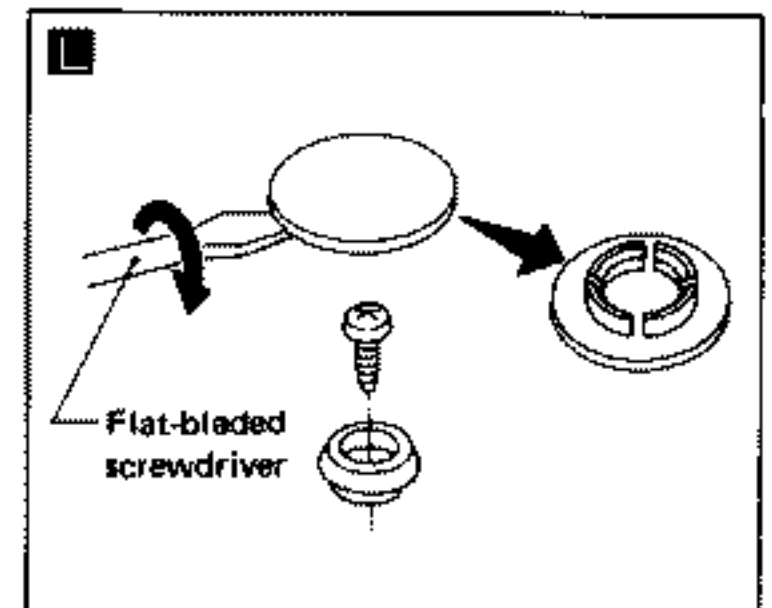
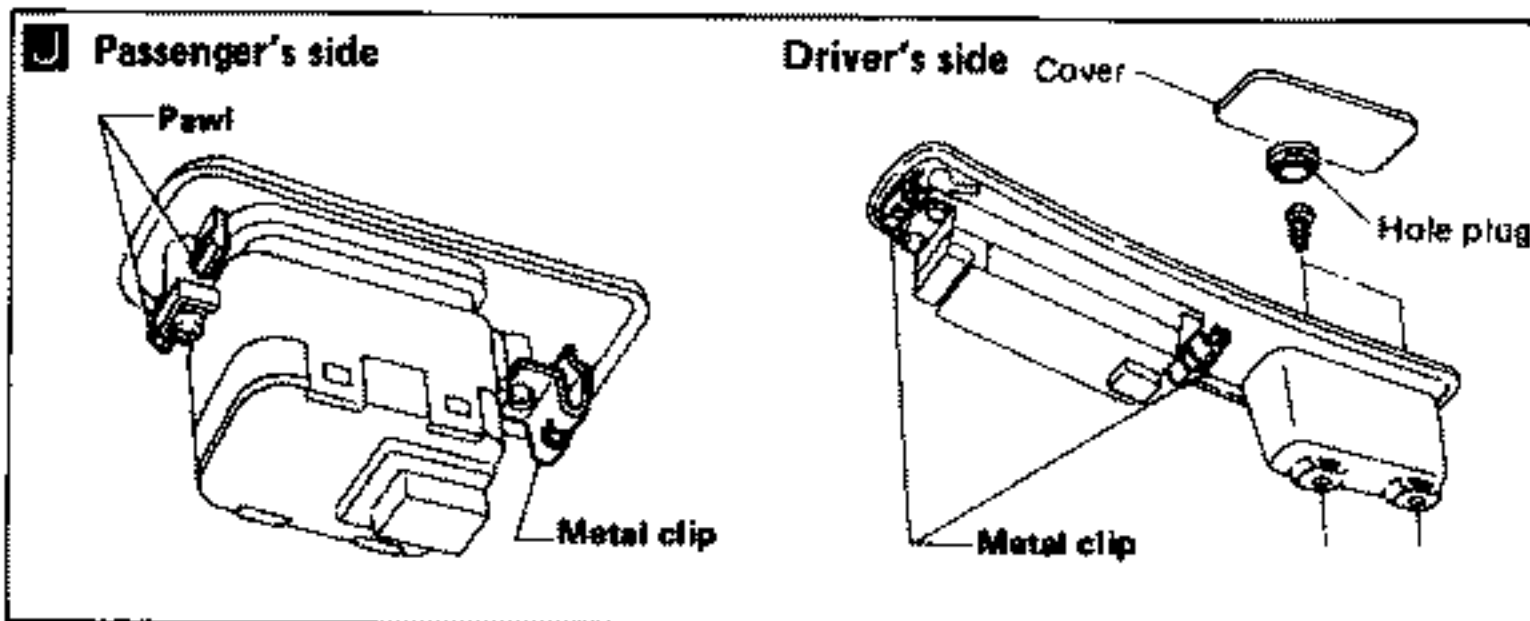
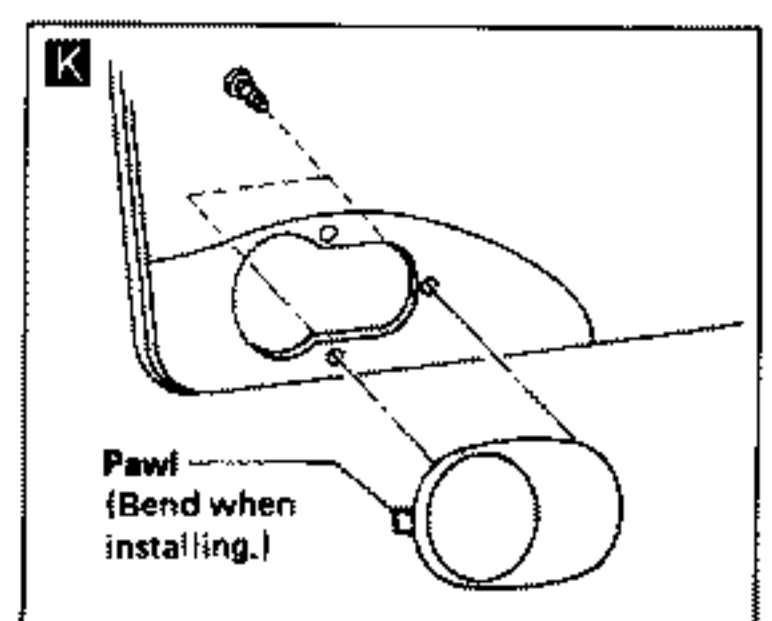
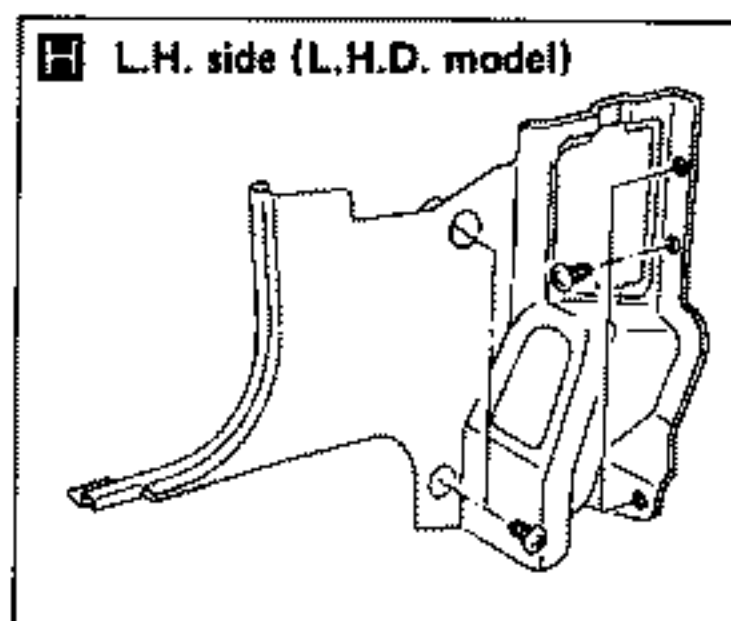
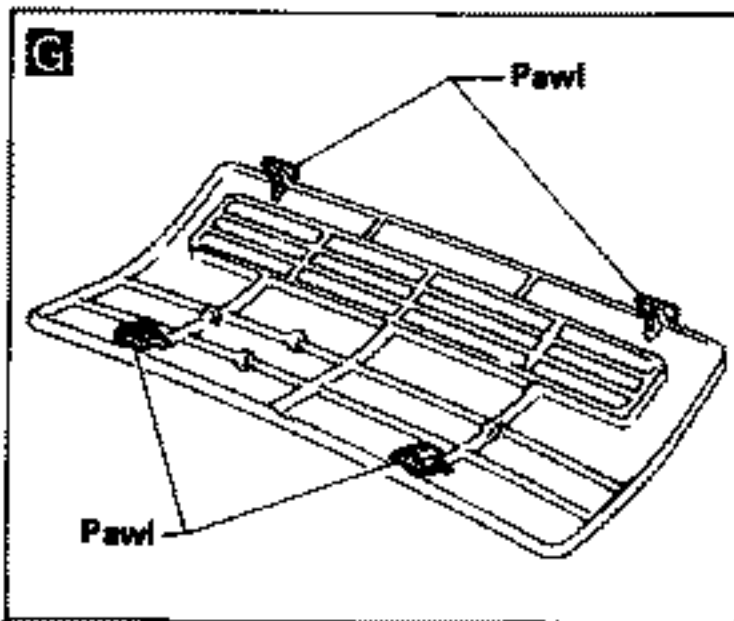
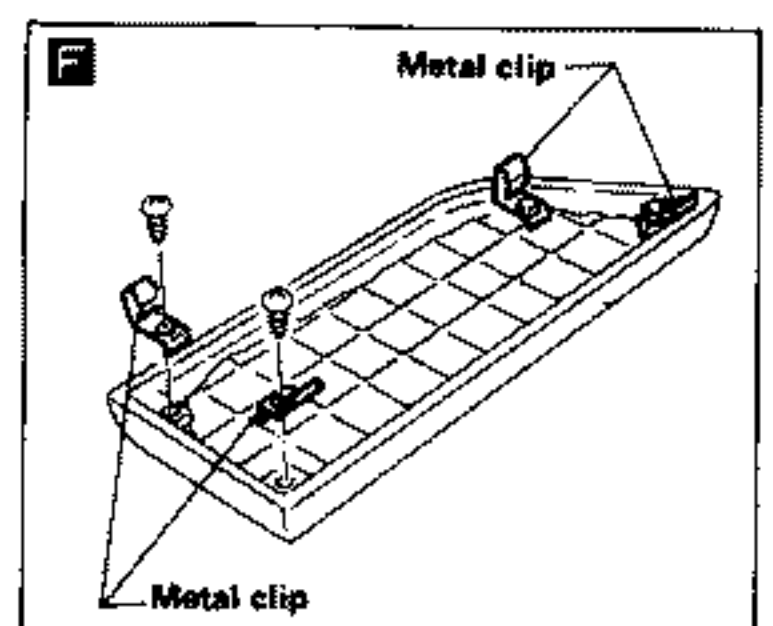
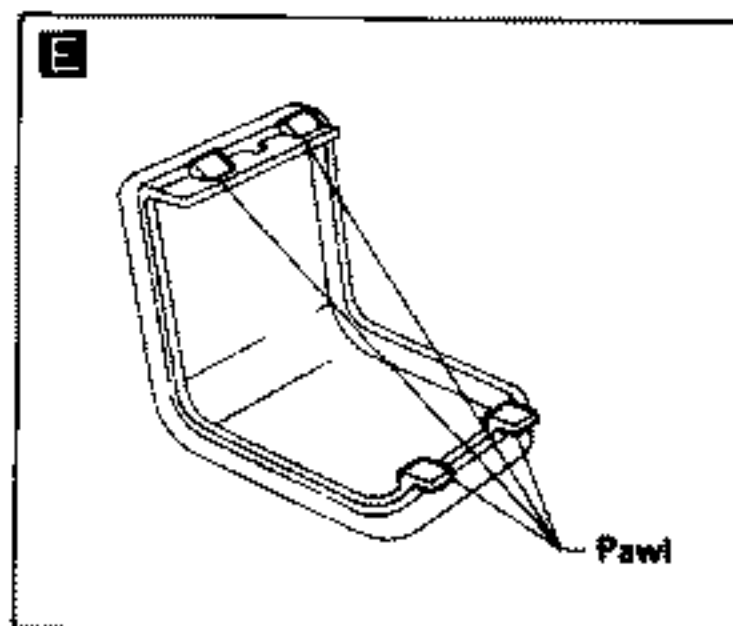
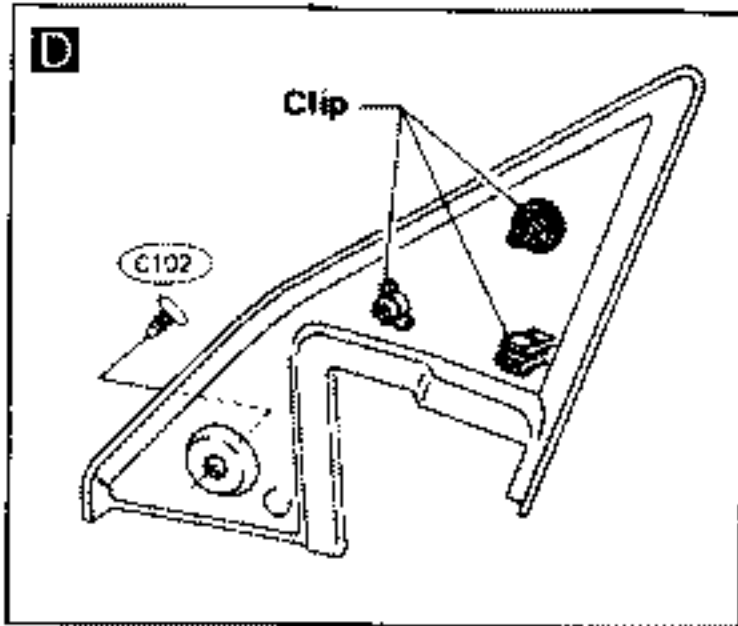
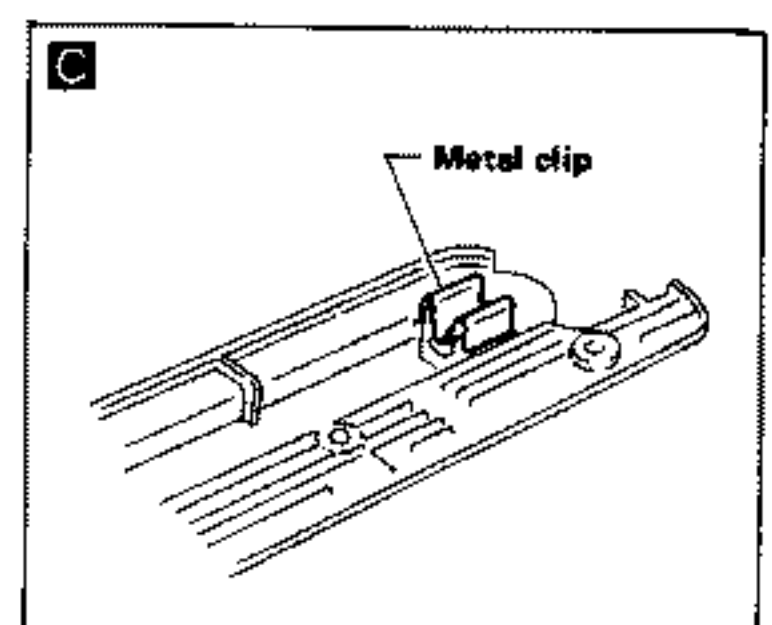
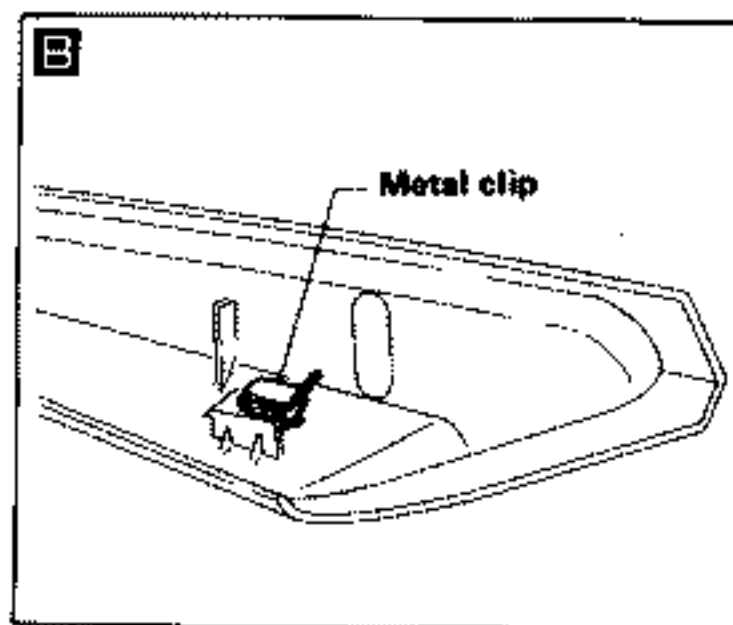
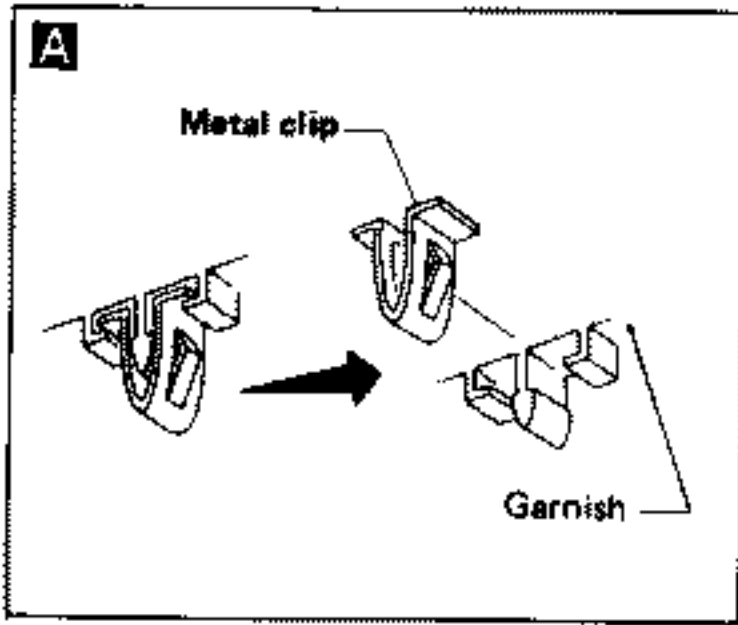
Interior

SIDE, LUGGAGE AND FLOOR TRIM



INTERIOR AND EXTERIOR

Interior (Cont'd)

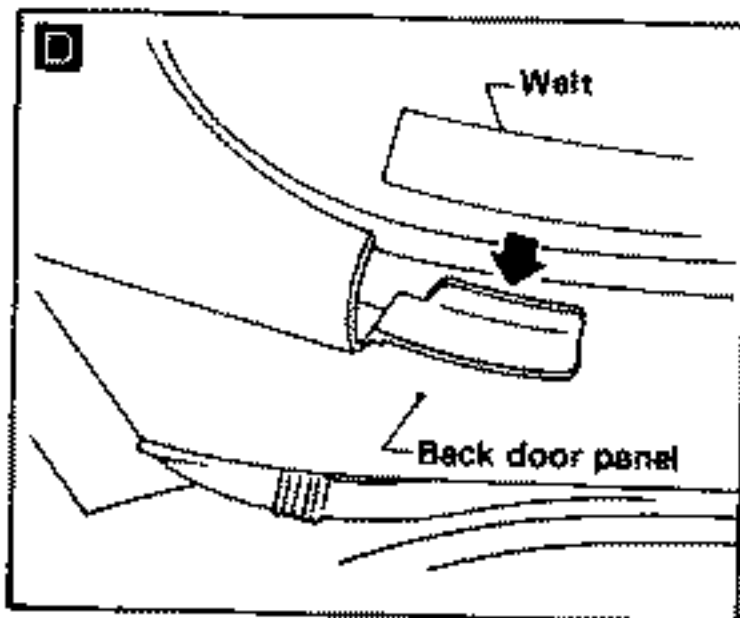
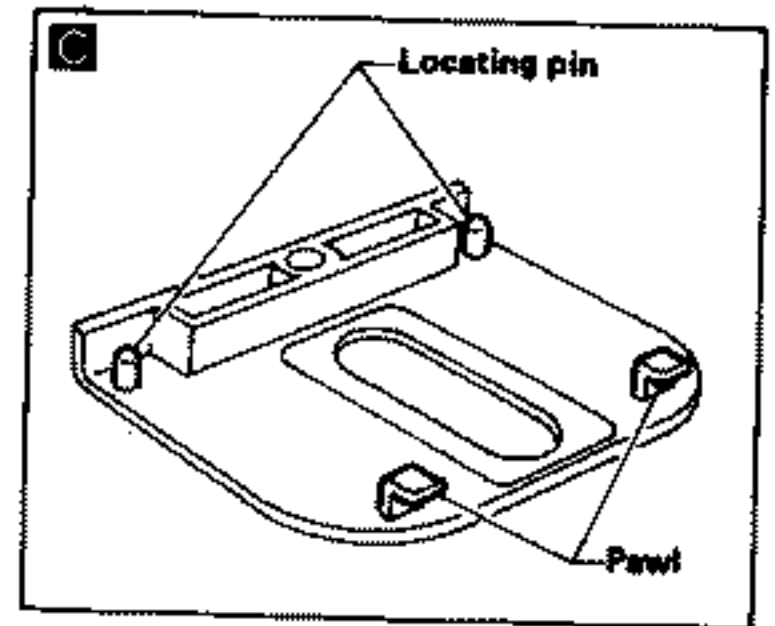
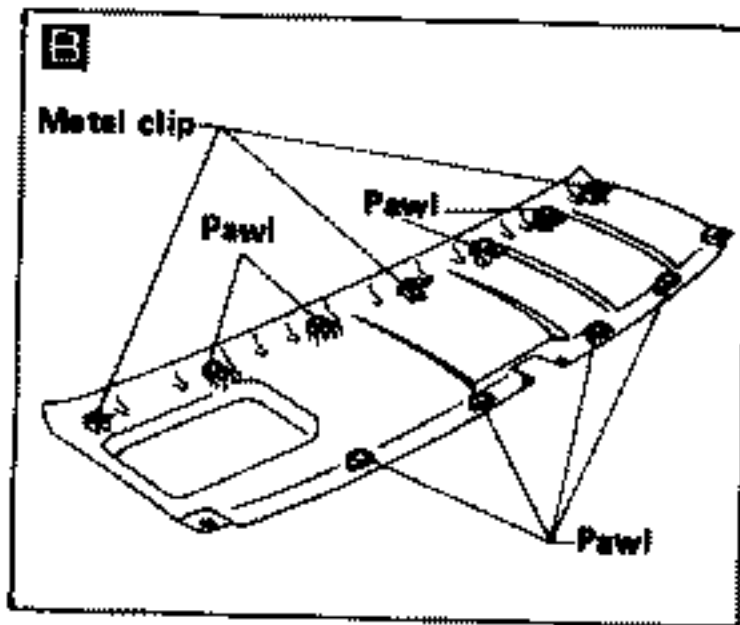
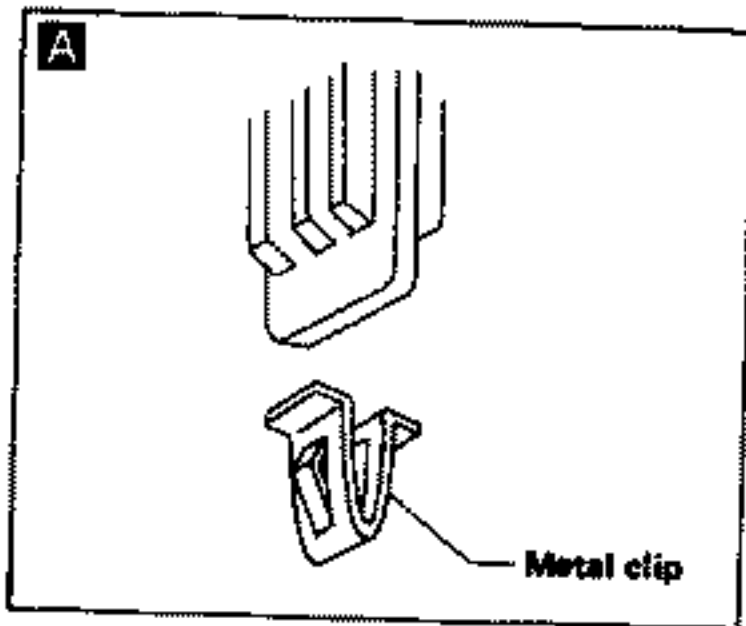
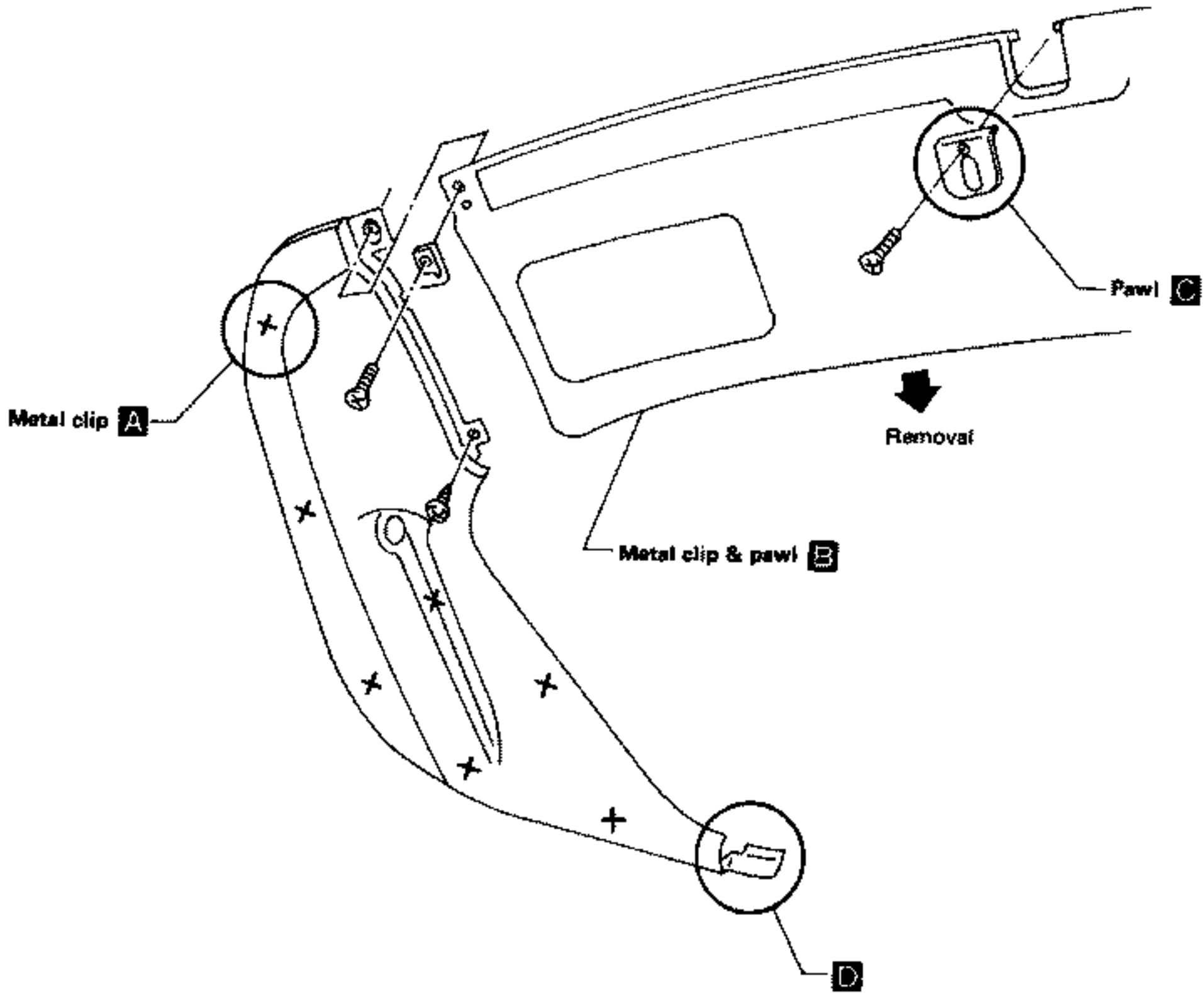


MBF028A

INTERIOR AND EXTERIOR

Interior (Cont'd)

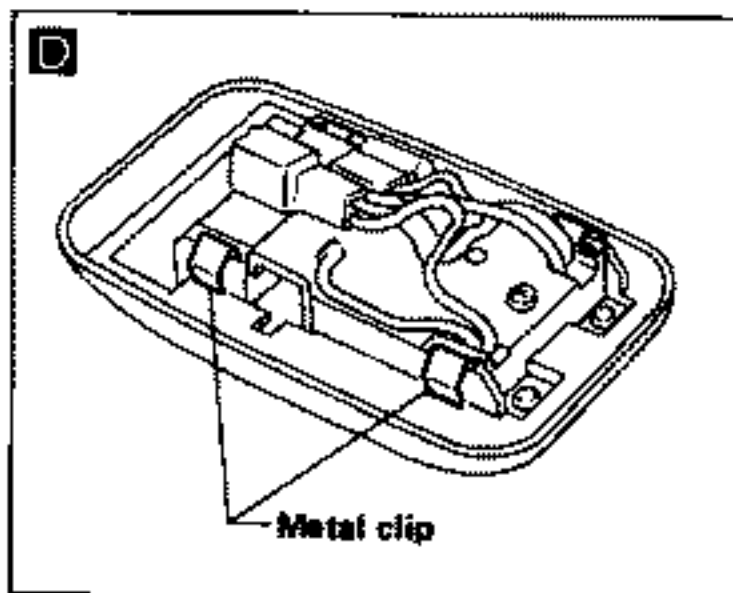
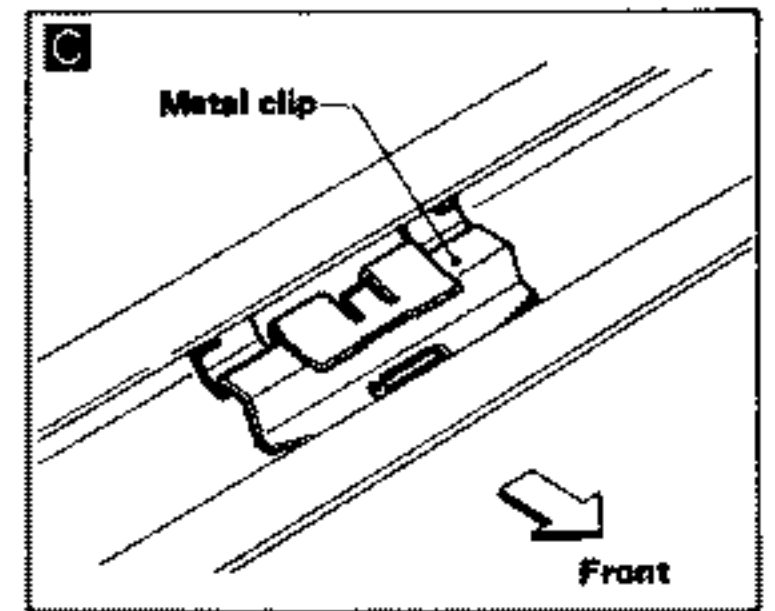
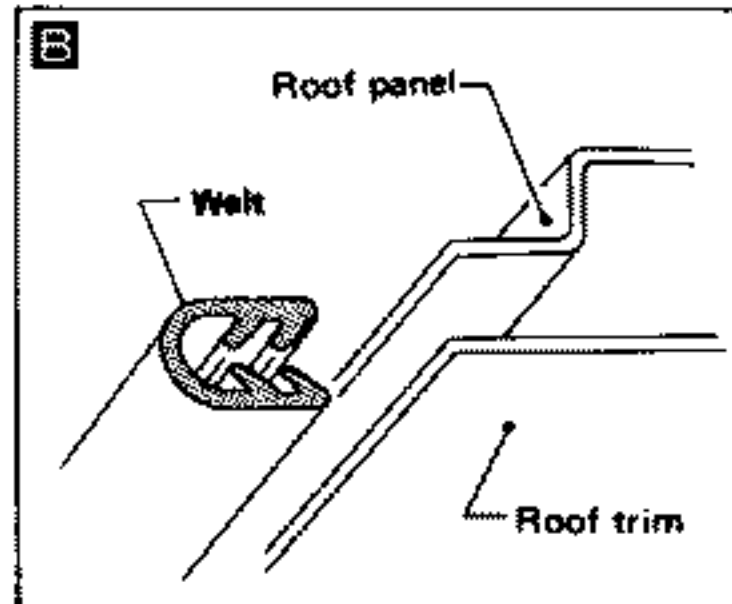
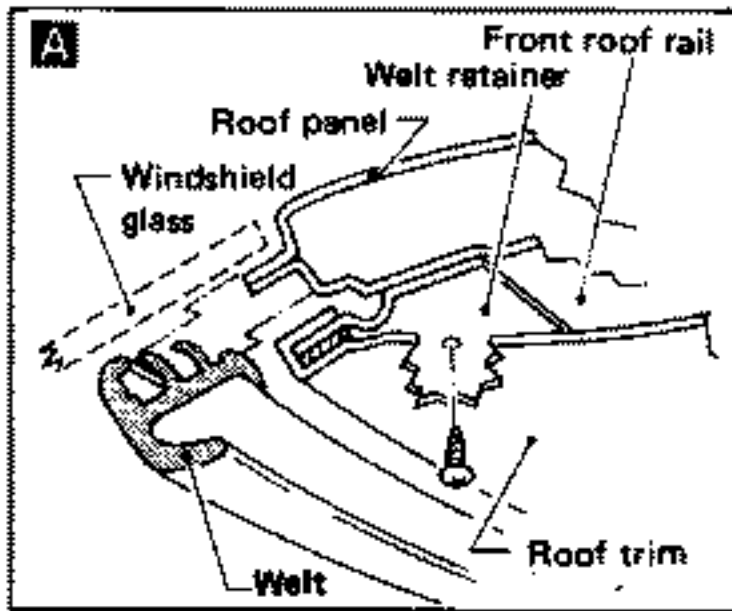
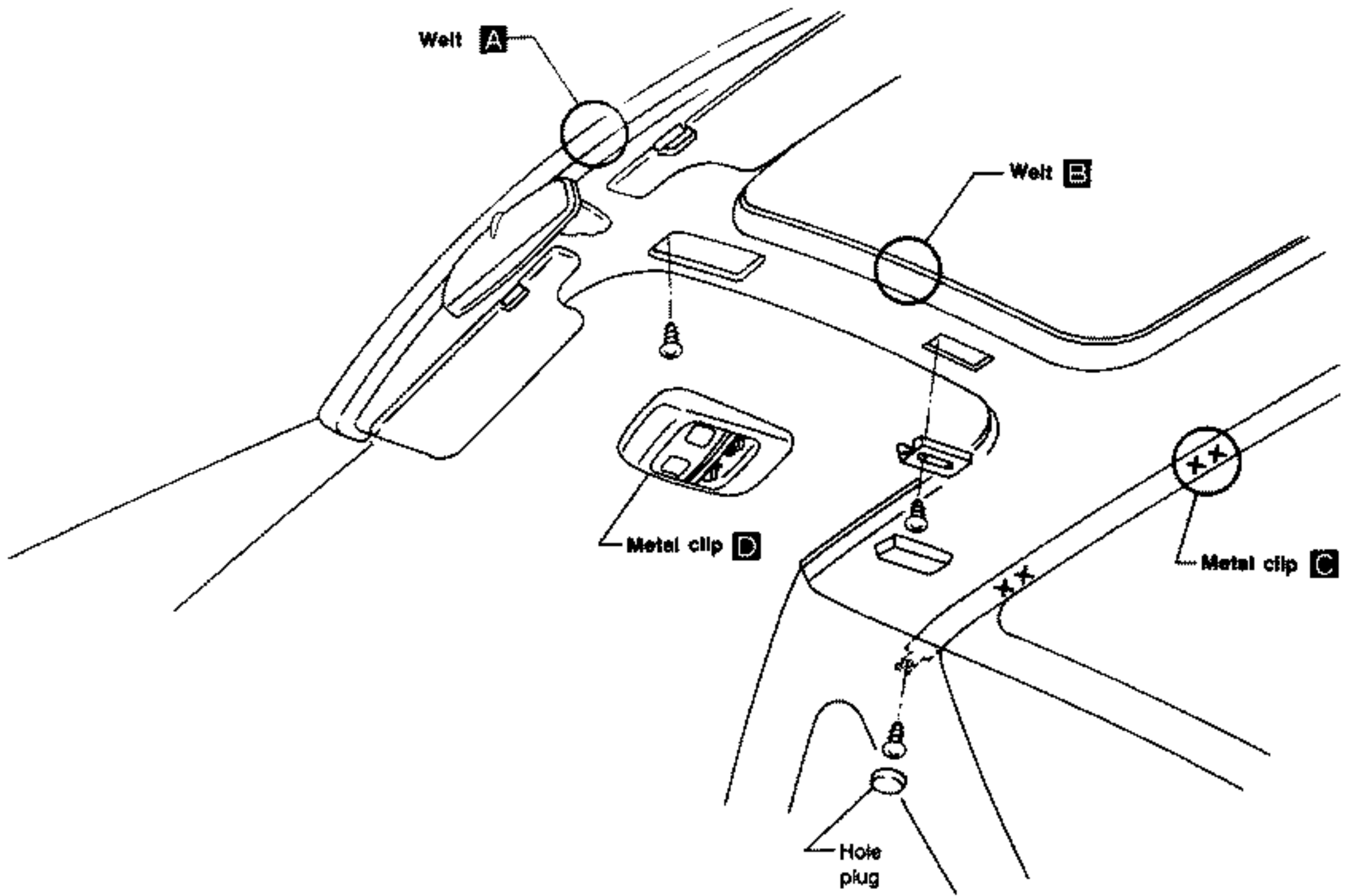
BACK DOOR TRIM



INTERIOR AND EXTERIOR

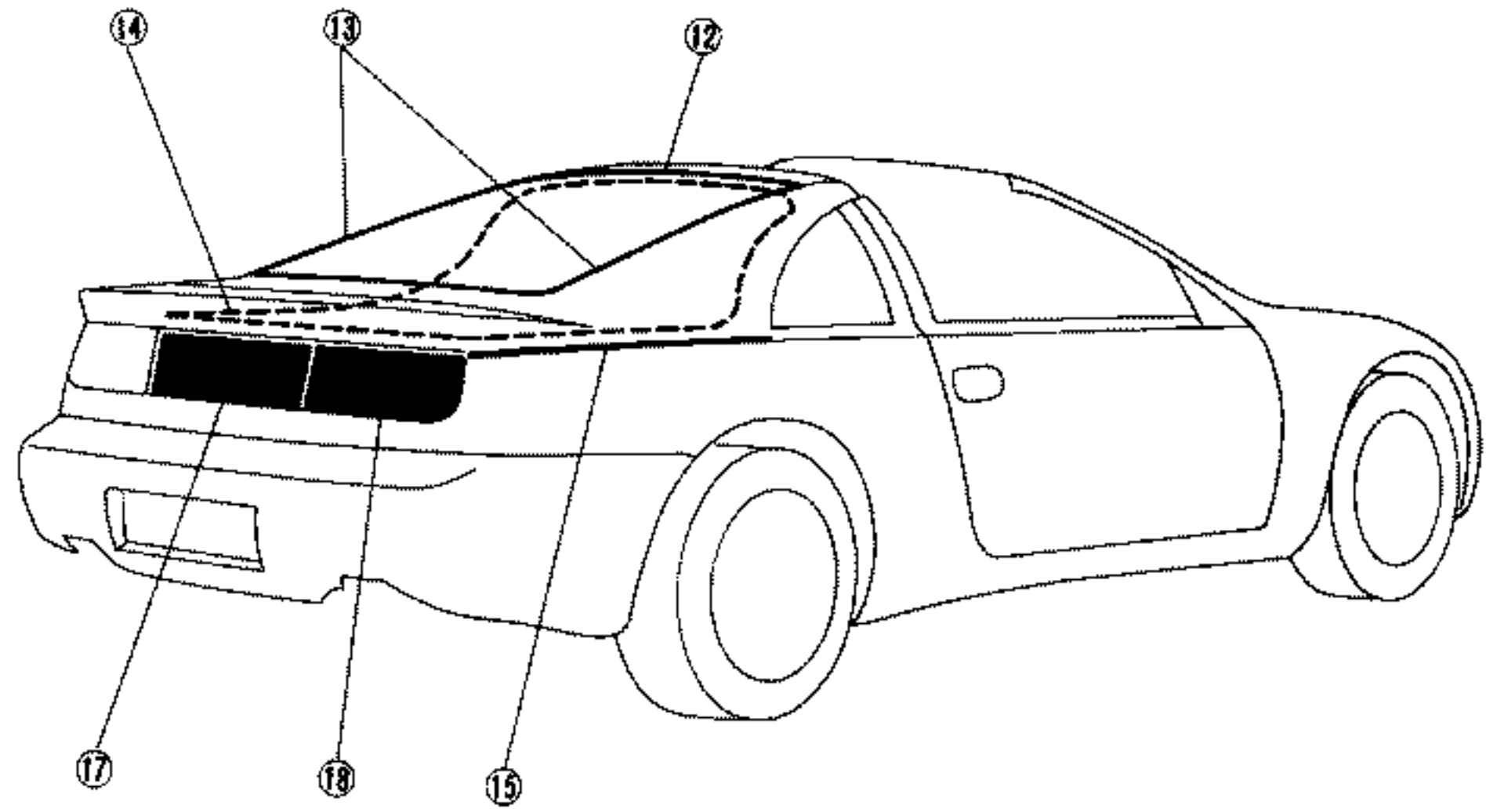
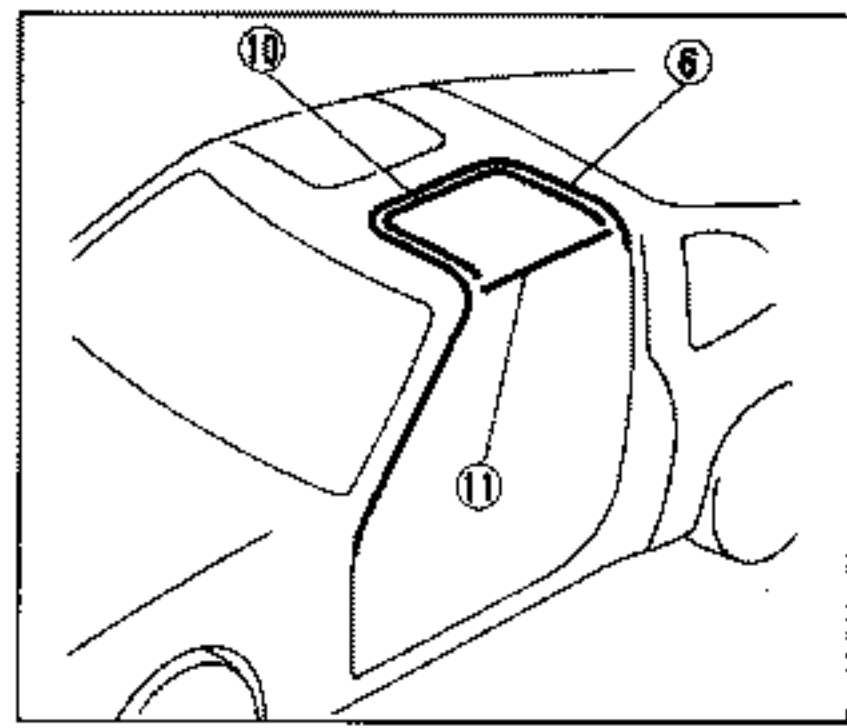
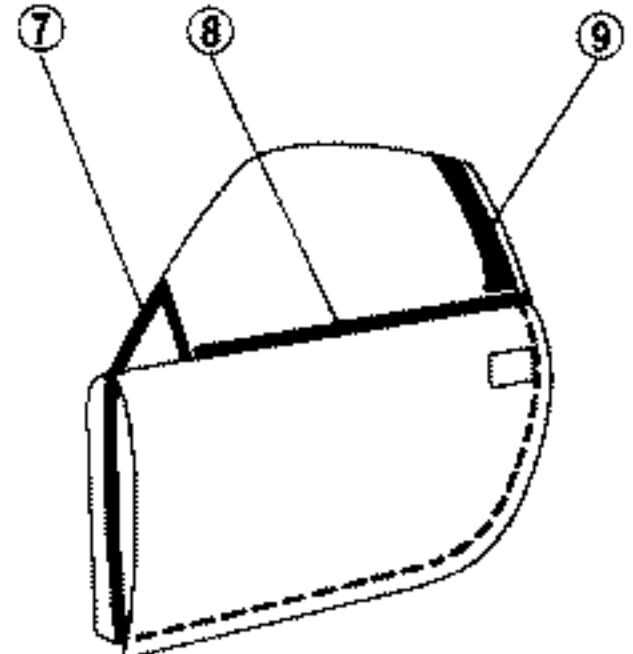
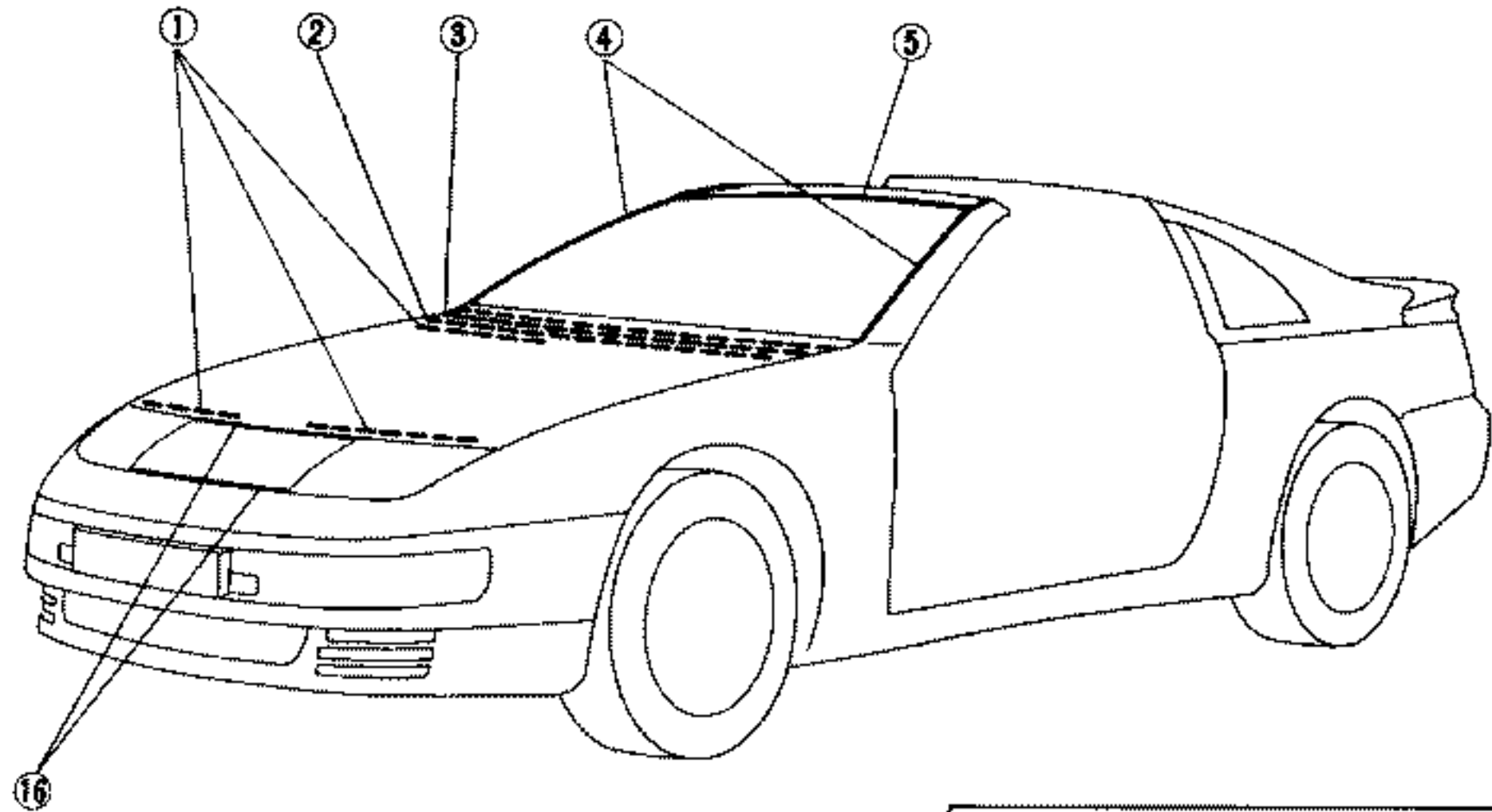
Interior (Cont'd)

ROOF TRIM



INTERIOR AND EXTERIOR

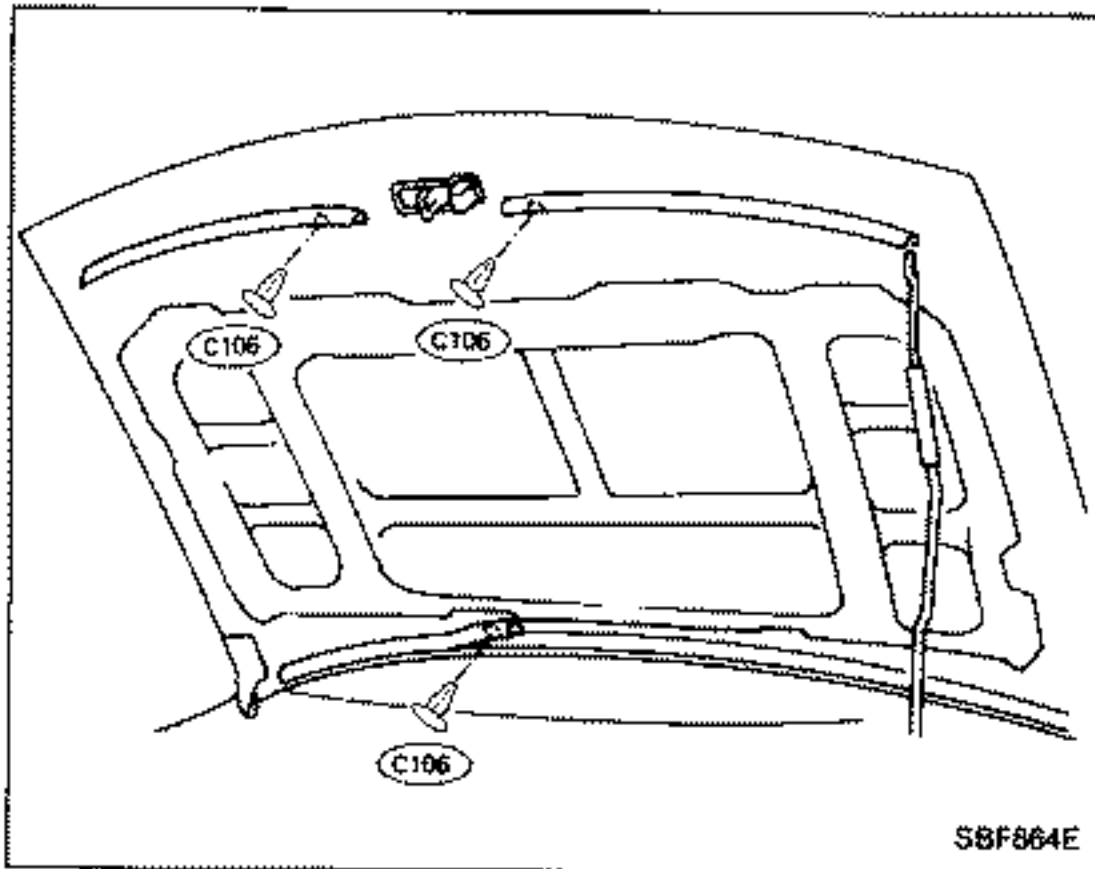
Exterior



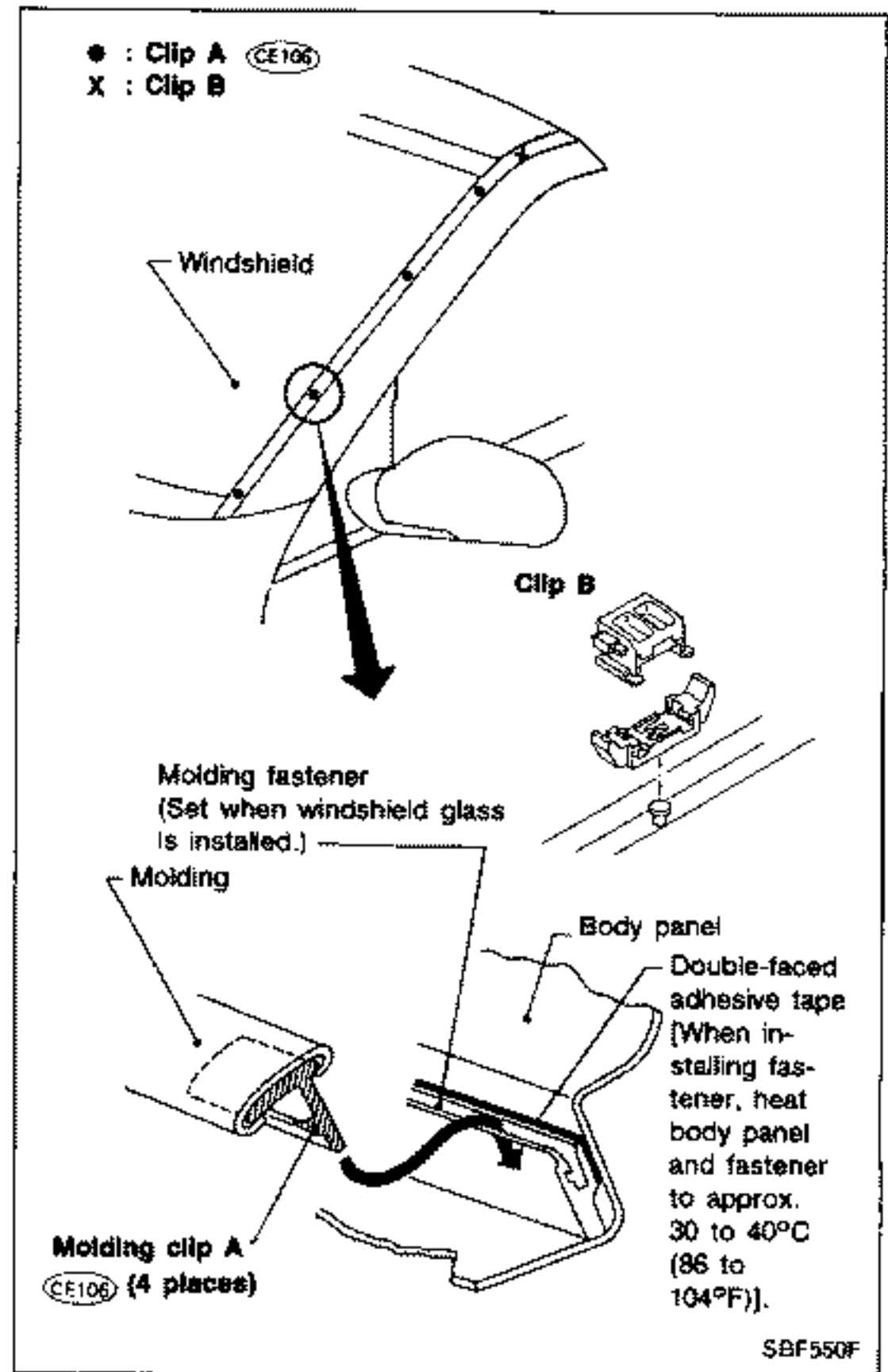
INTERIOR AND EXTERIOR

Exterior (Cont'd)

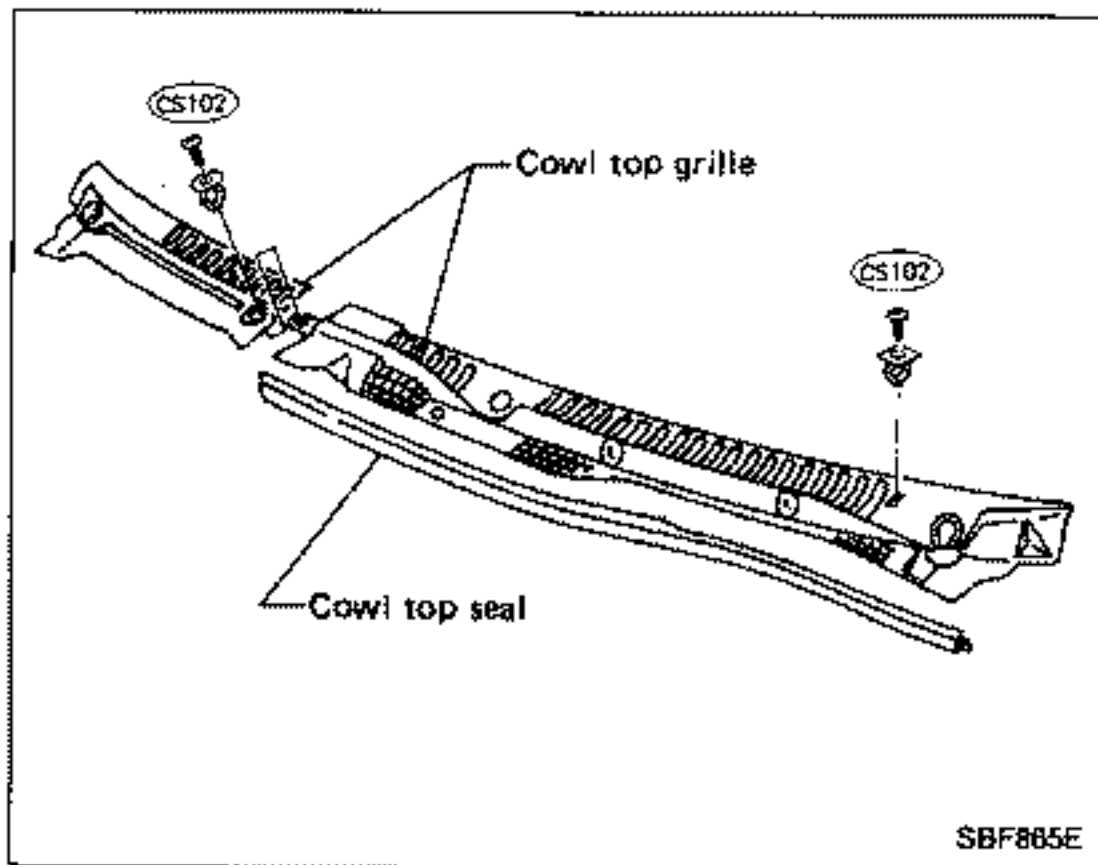
① Hood front and rear seal



④ Windshield side molding



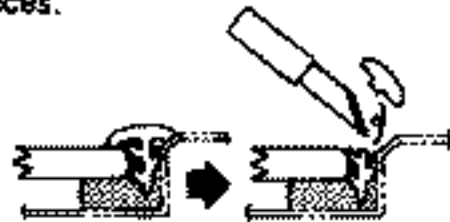
② ③ Cowl top seal and cowl top grille



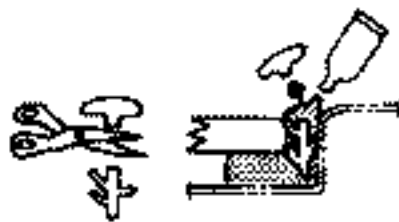
⑤ Windshield upper molding

Method 1

Cut off top portion of molding and clean glass and panel surfaces.



Apply sealant to top portion of molding.



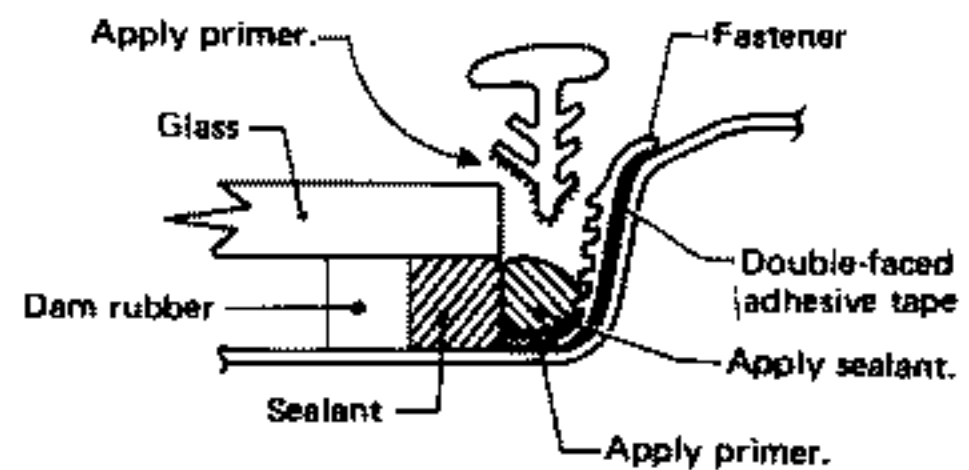
Cut off lower portion of new molding



Finish well to give it a good appearance.

Method 2

1. Cut off sealant at glass end.
2. Clean the side on which panel was mounted.
3. Set molding fastener and apply sealant & primer to body panel, and apply primer to molding.



4. Install molding by aligning the molding mark located on center with vehicle center. Be sure to install tightly so that there is no gap around the corner.

SBF301C

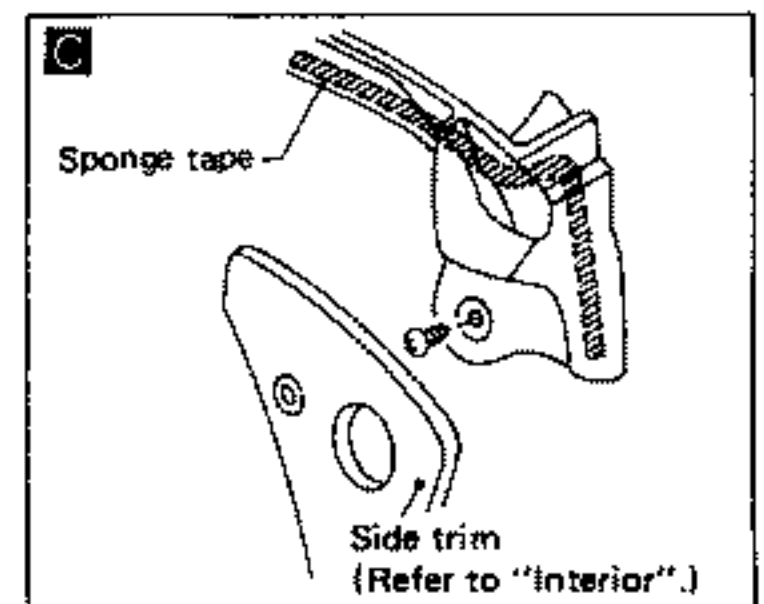
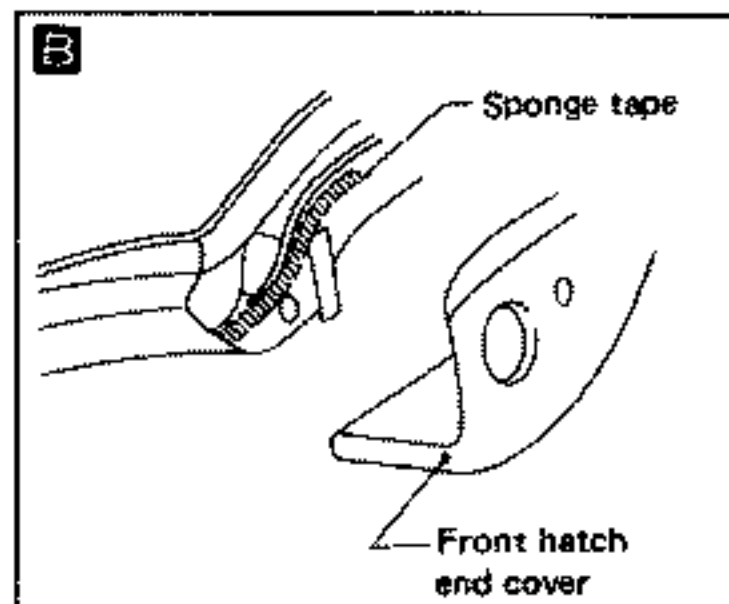
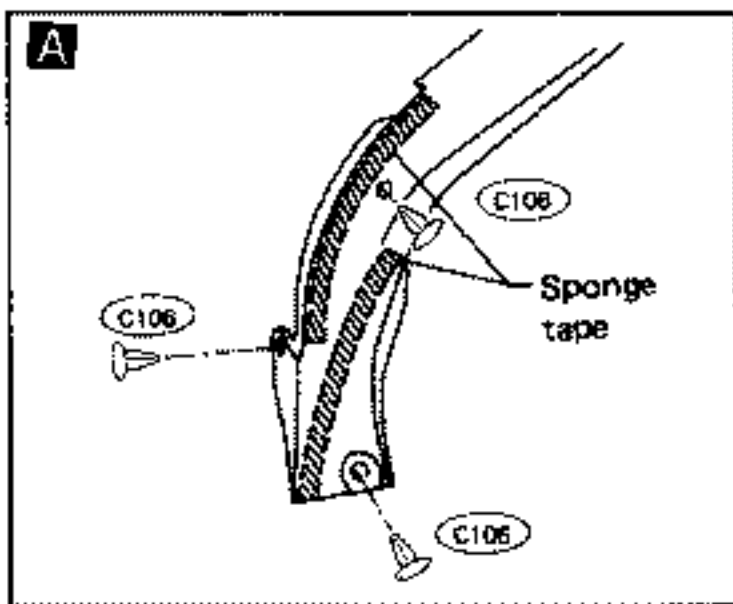
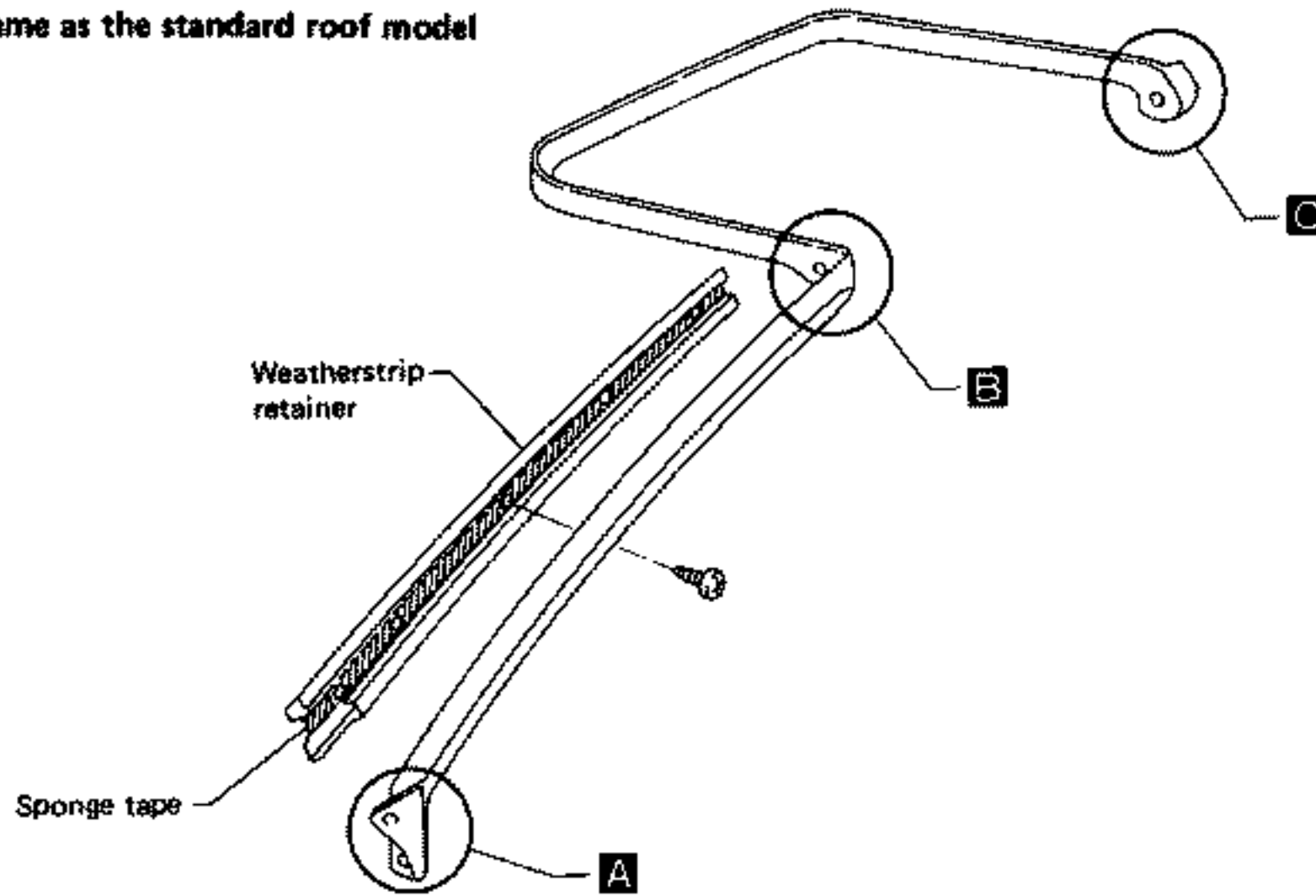
INTERIOR AND EXTERIOR

Exterior (Cont'd)

⑥ Body side weatherstrip

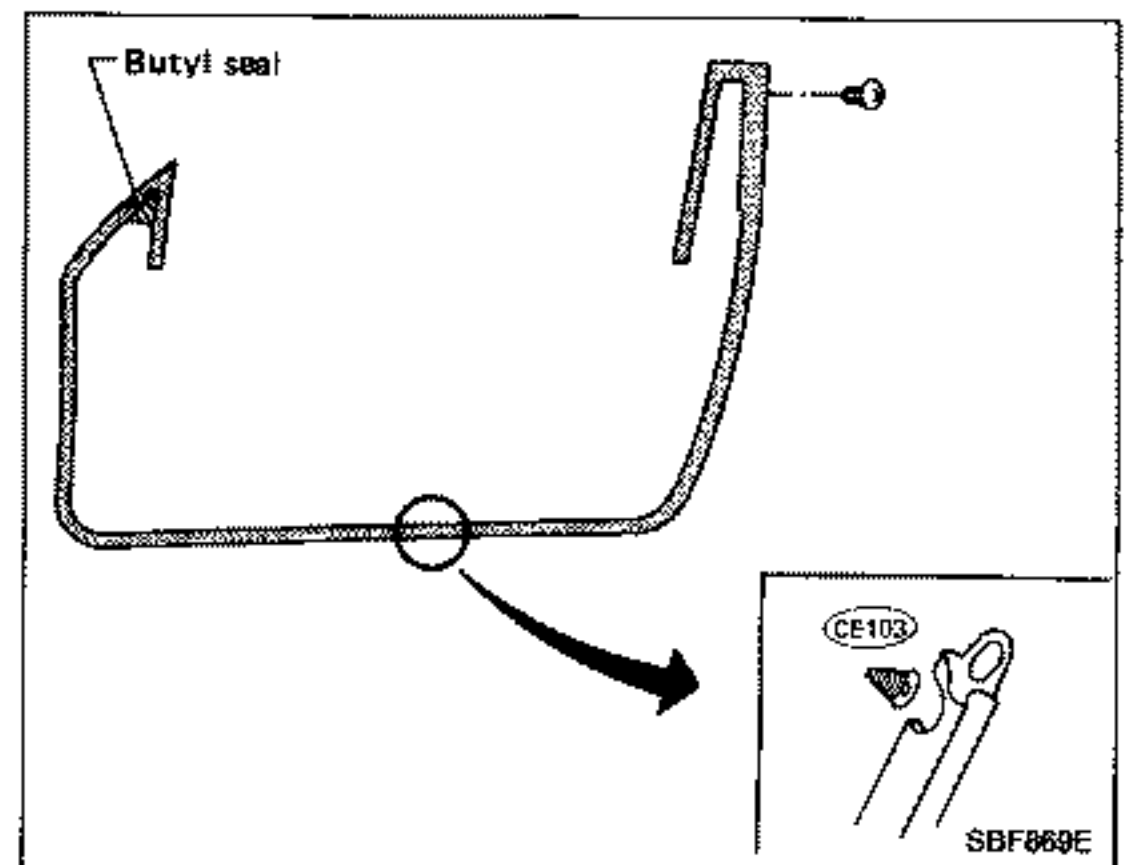
T-bar roof model

Basically the same as the standard roof model



SBF868E

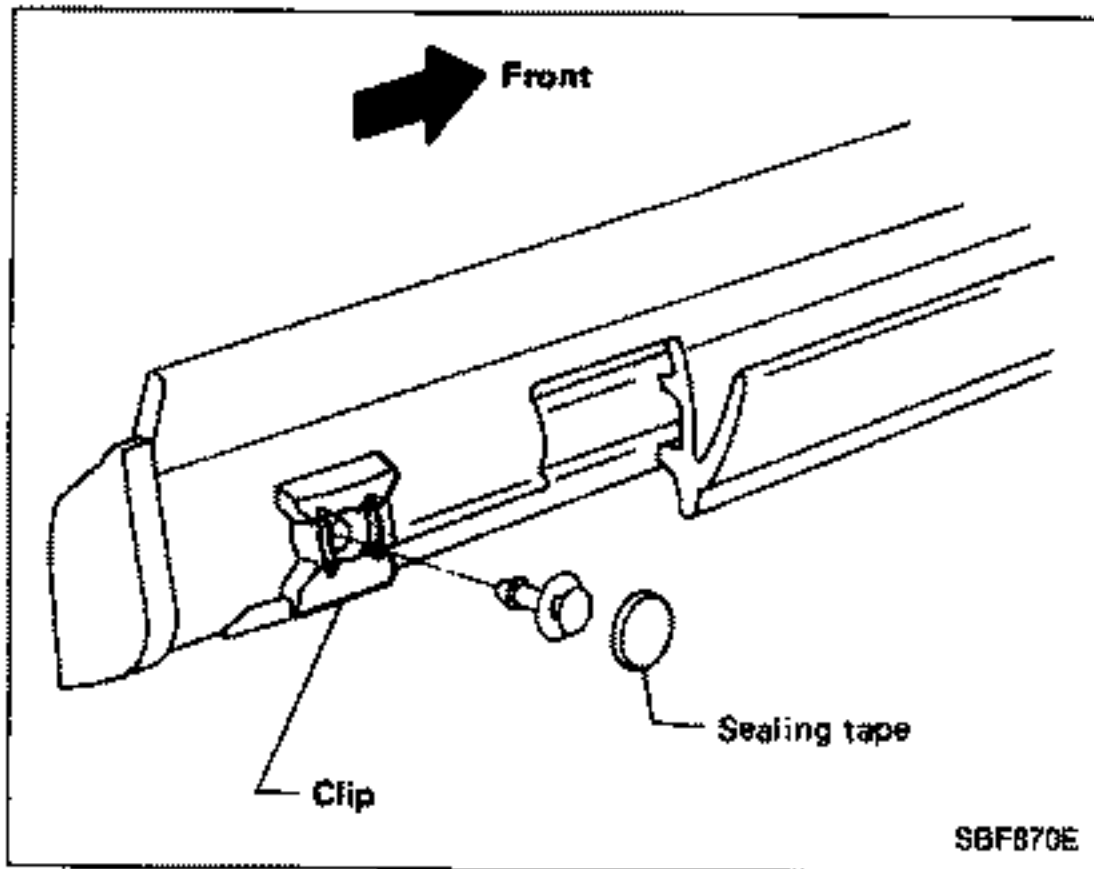
⑦ Door weatherstrip



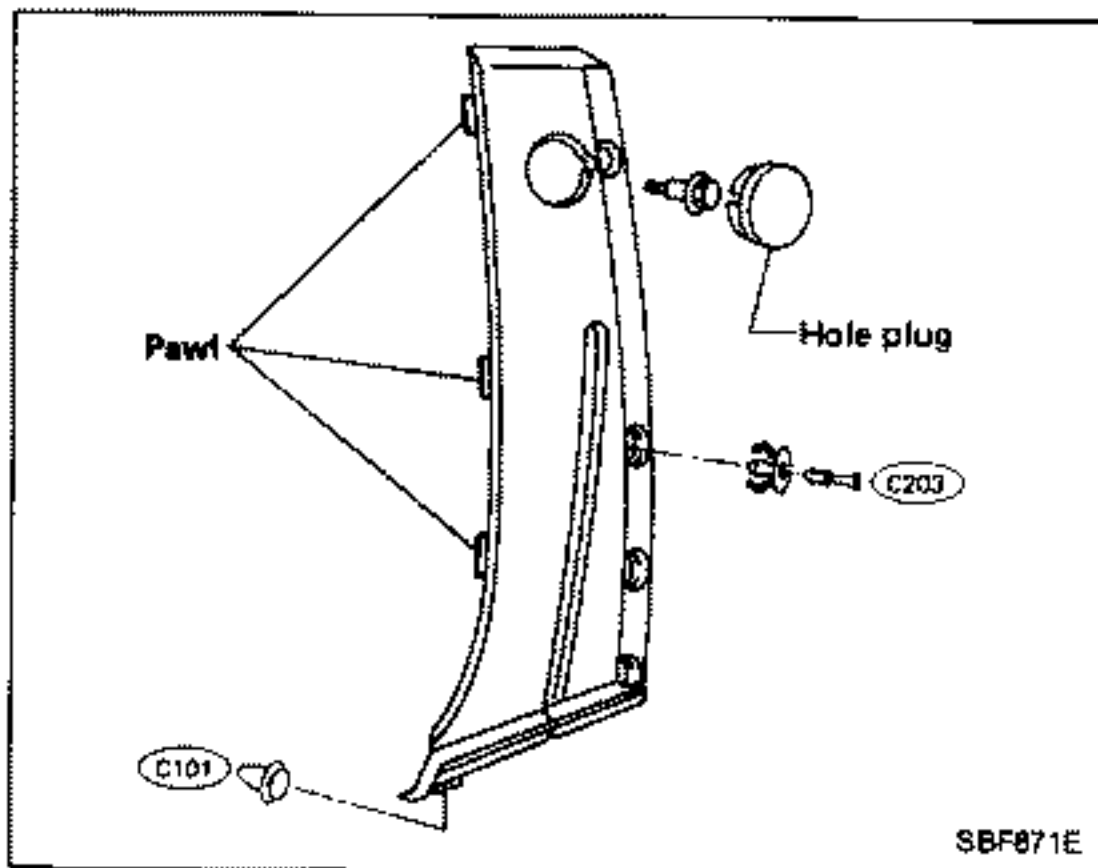
INTERIOR AND EXTERIOR

Exterior (Cont'd)

⑧ Door outside molding



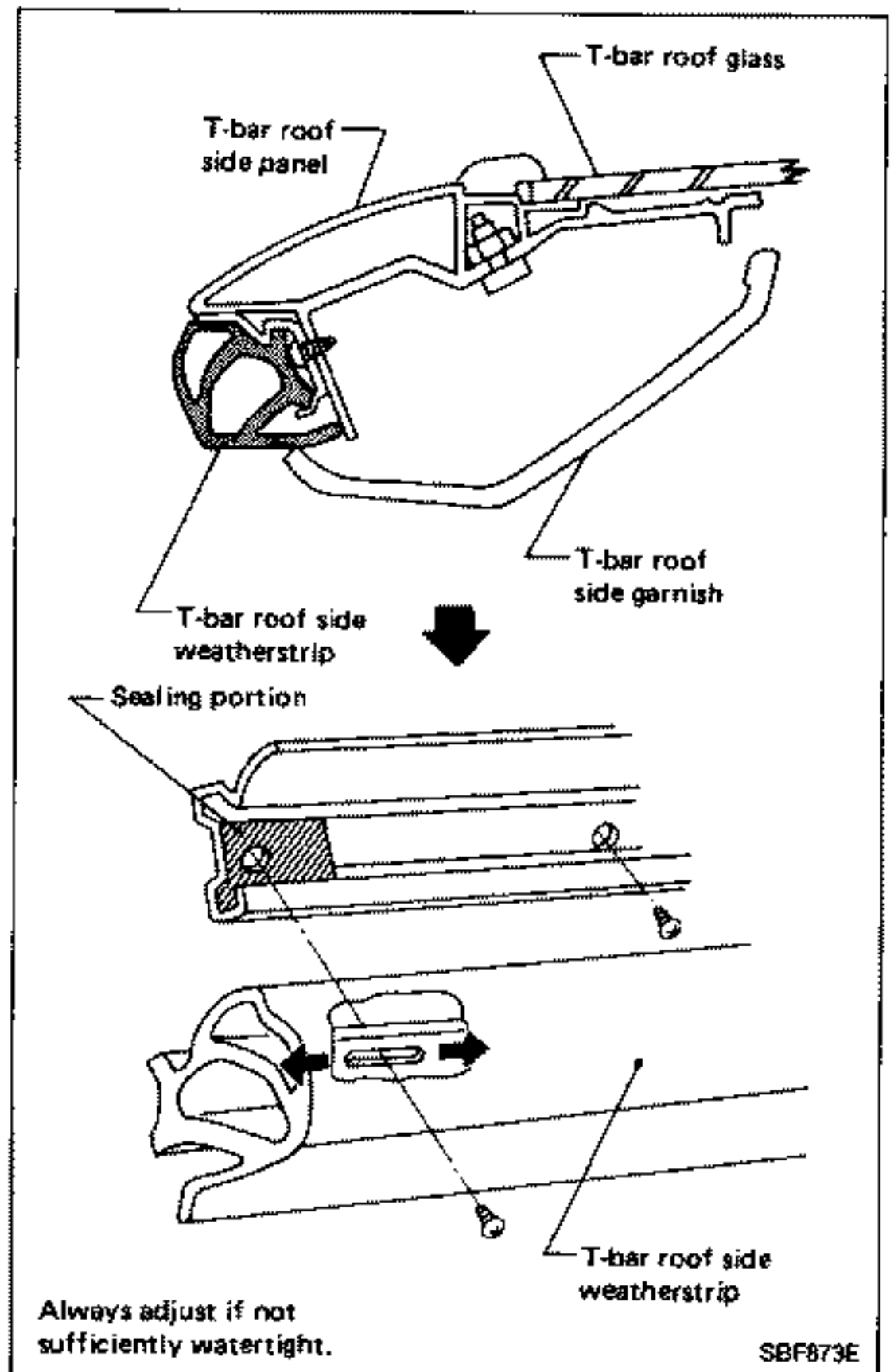
⑨ Door outer finisher



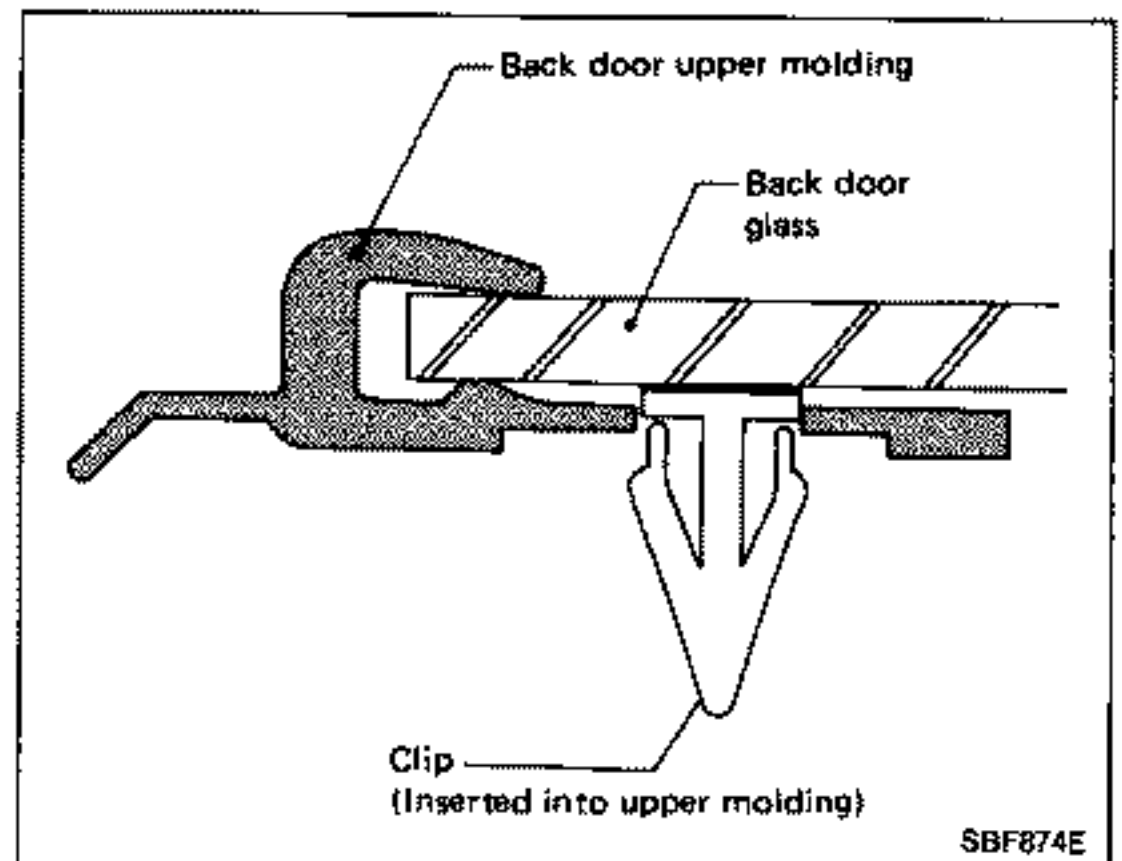
⑩ T-bar roof sash and T-bar roof weatherstrip

These are part of the T-bar roof glass and cannot be removed. (Refer to T-BAR ROOF.) If they are damaged, replace entire T-bar roof glass assembly.

⑪ T-bar roof side weatherstrip



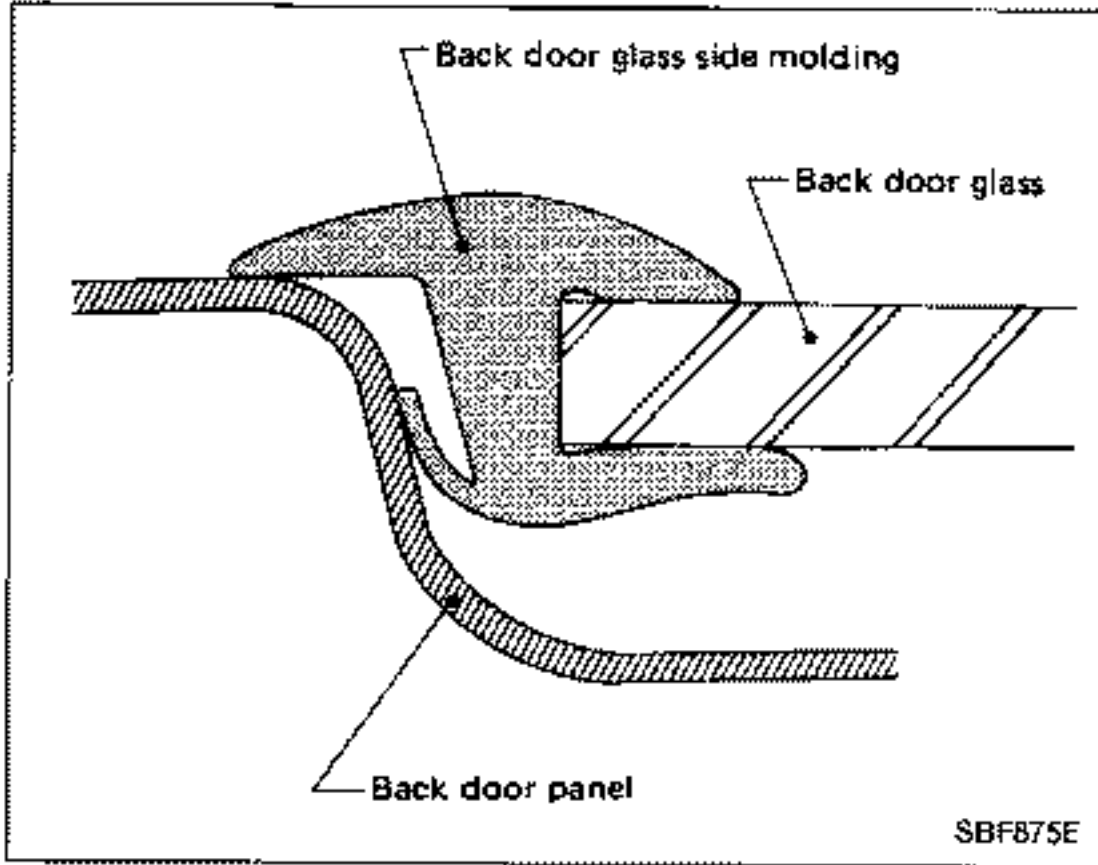
⑫ Back door glass upper molding



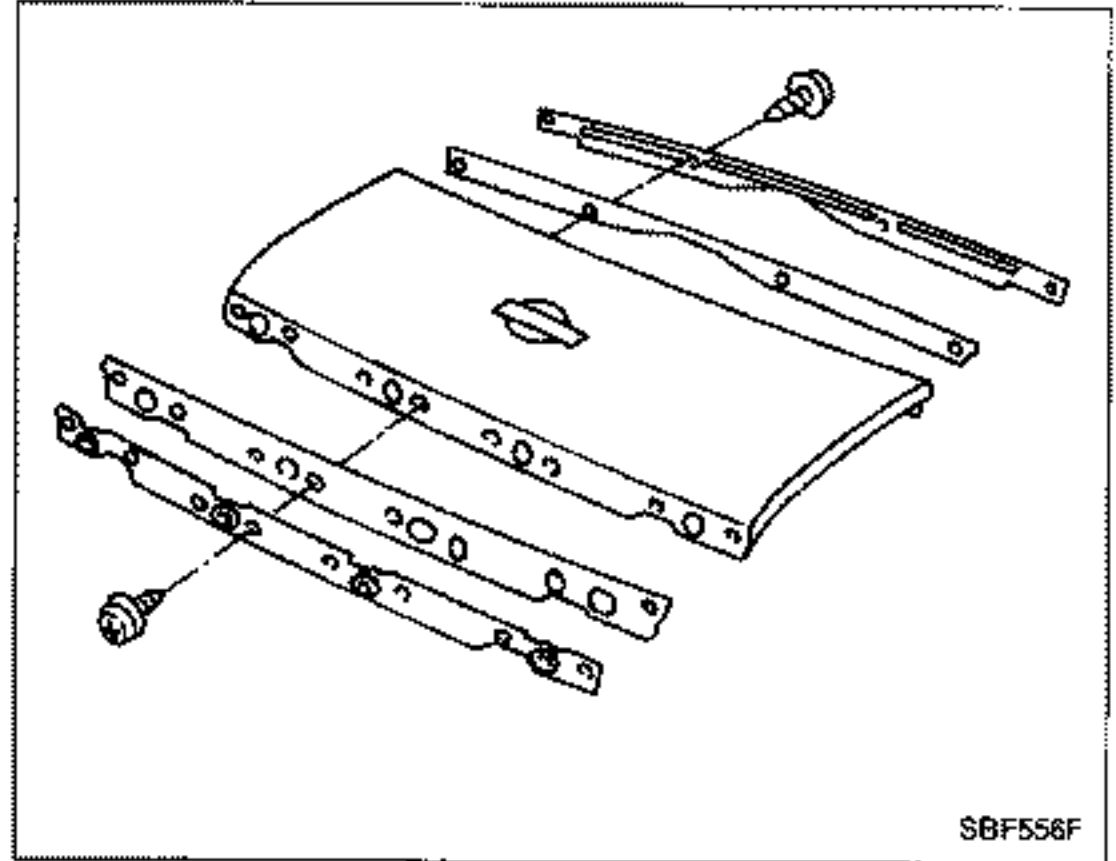
INTERIOR AND EXTERIOR

Exterior (Cont'd)

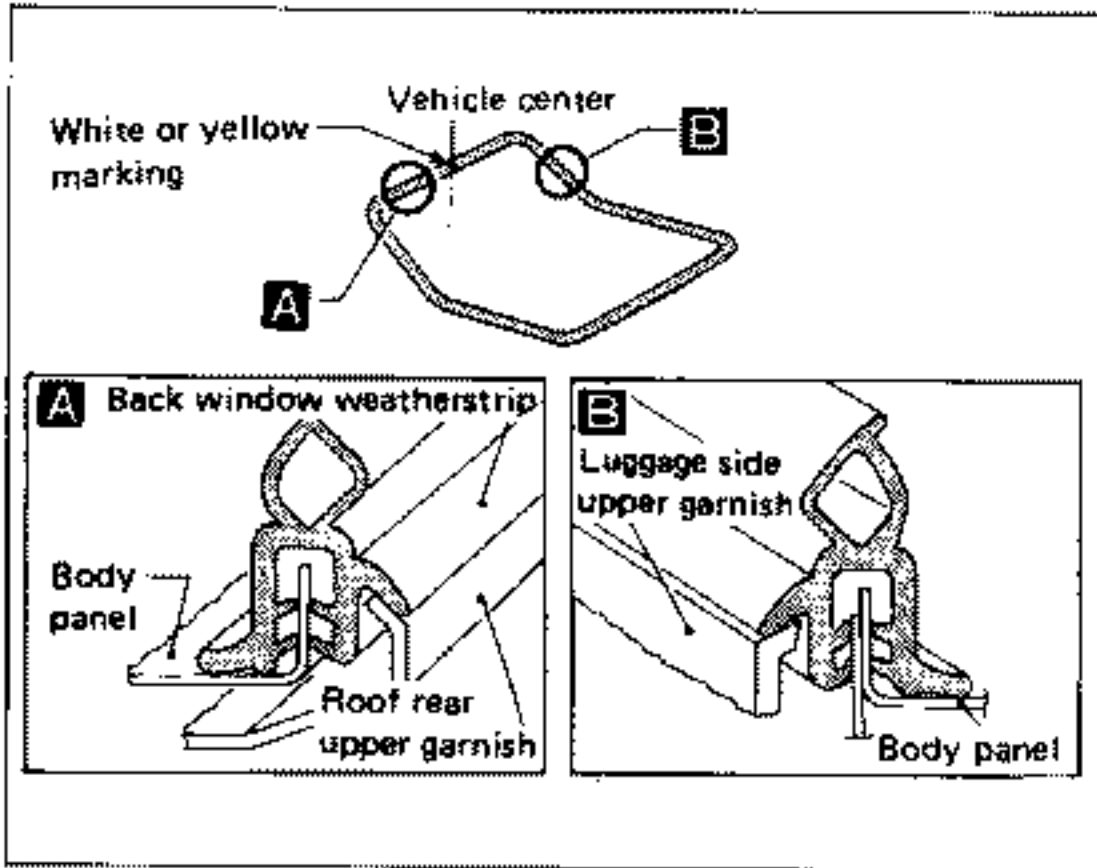
13 Back door glass side molding



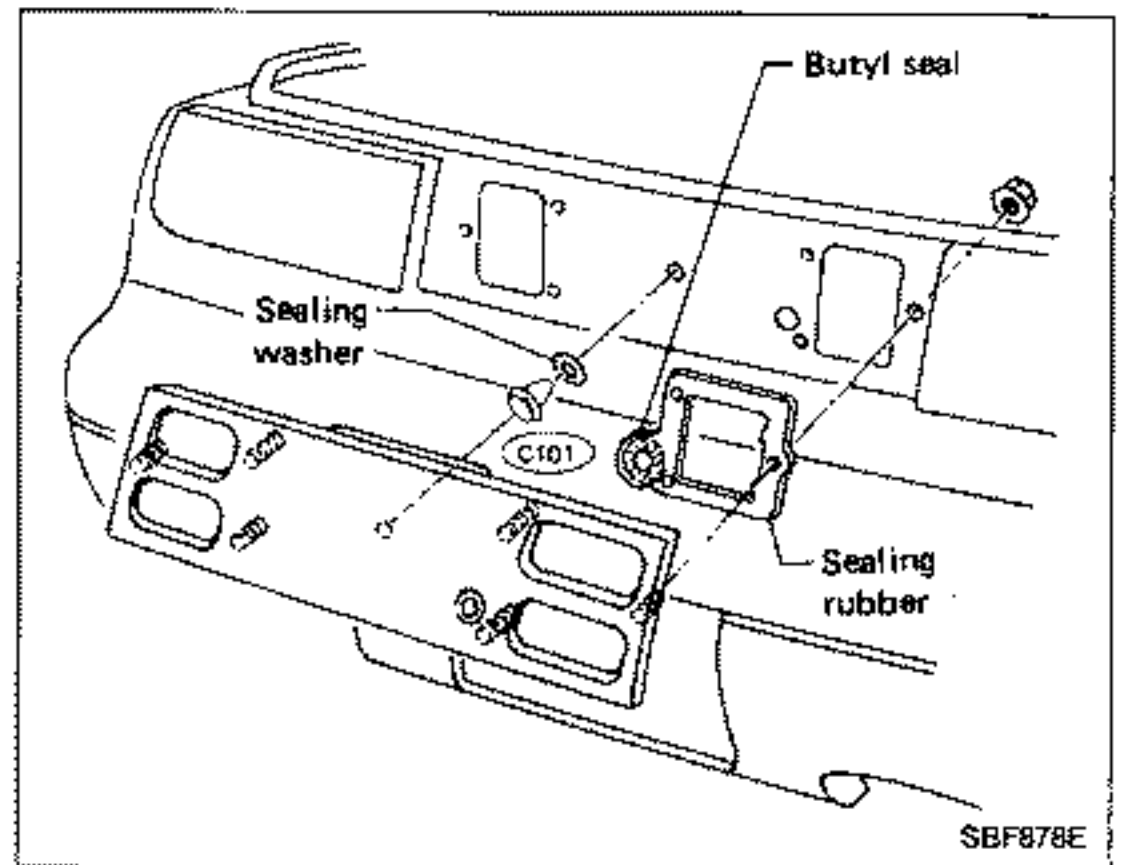
16 Front panel finisher



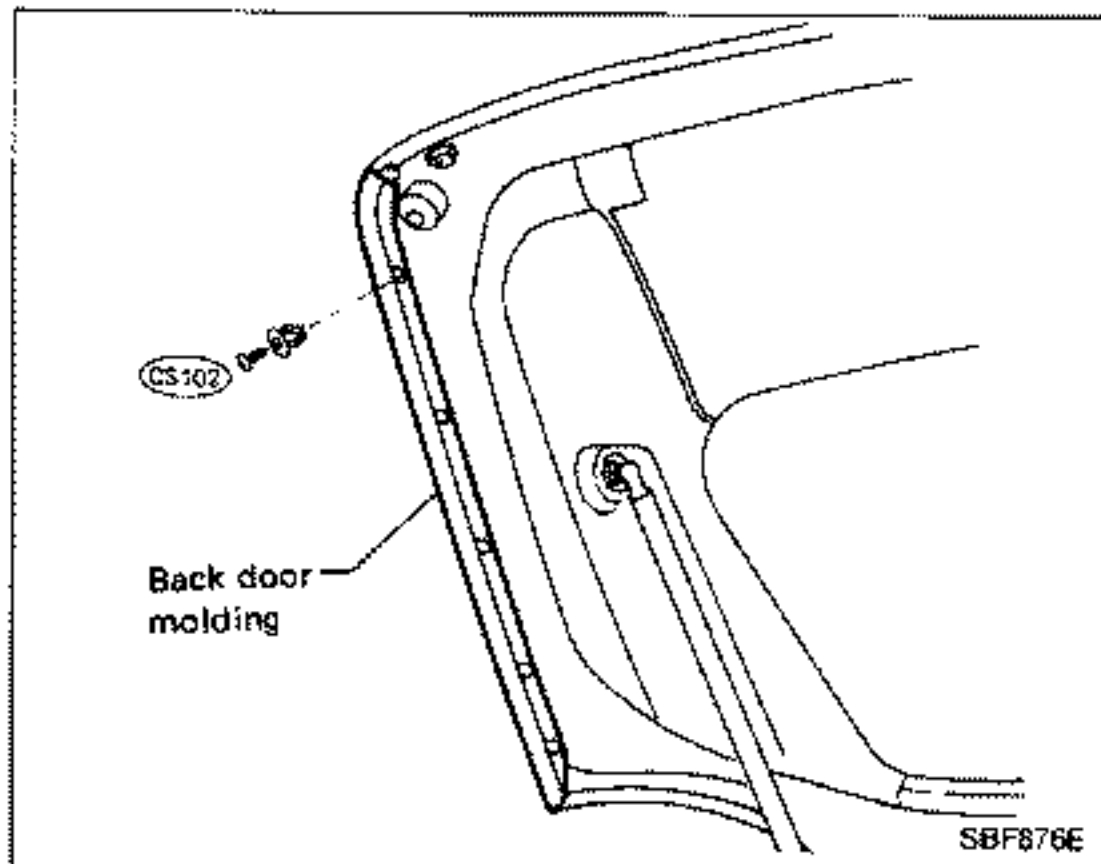
14 Back door weatherstrip



17 Rear panel finisher



15 Back door molding

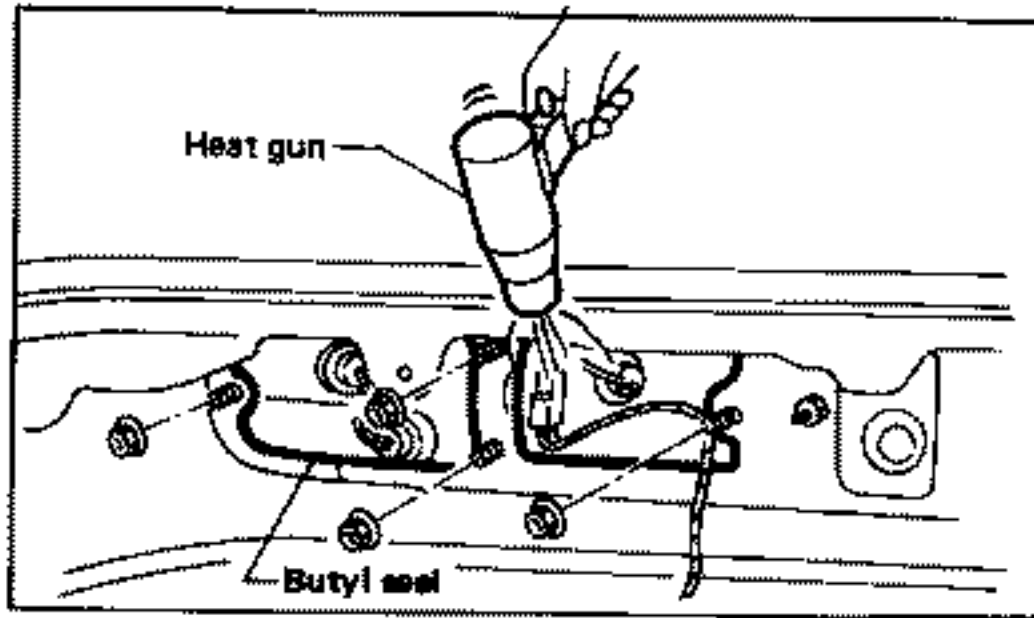


INTERIOR AND EXTERIOR

Exterior (Cont'd)

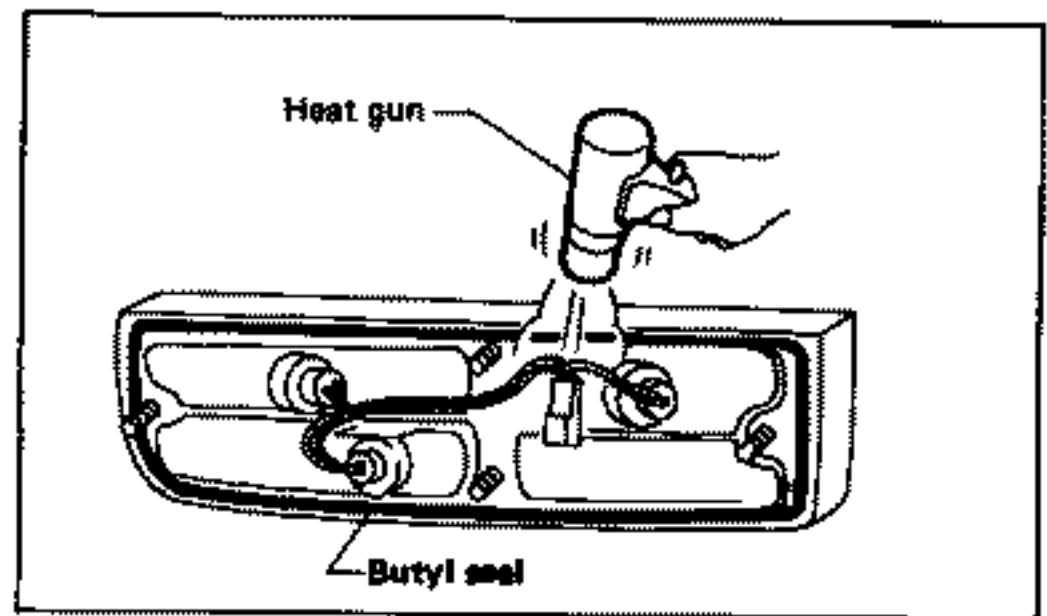
⑩ Rear combination lamp

Removal



- Warm up lamp assembly area to a temperature a little below 60° C (140° F).

Installation

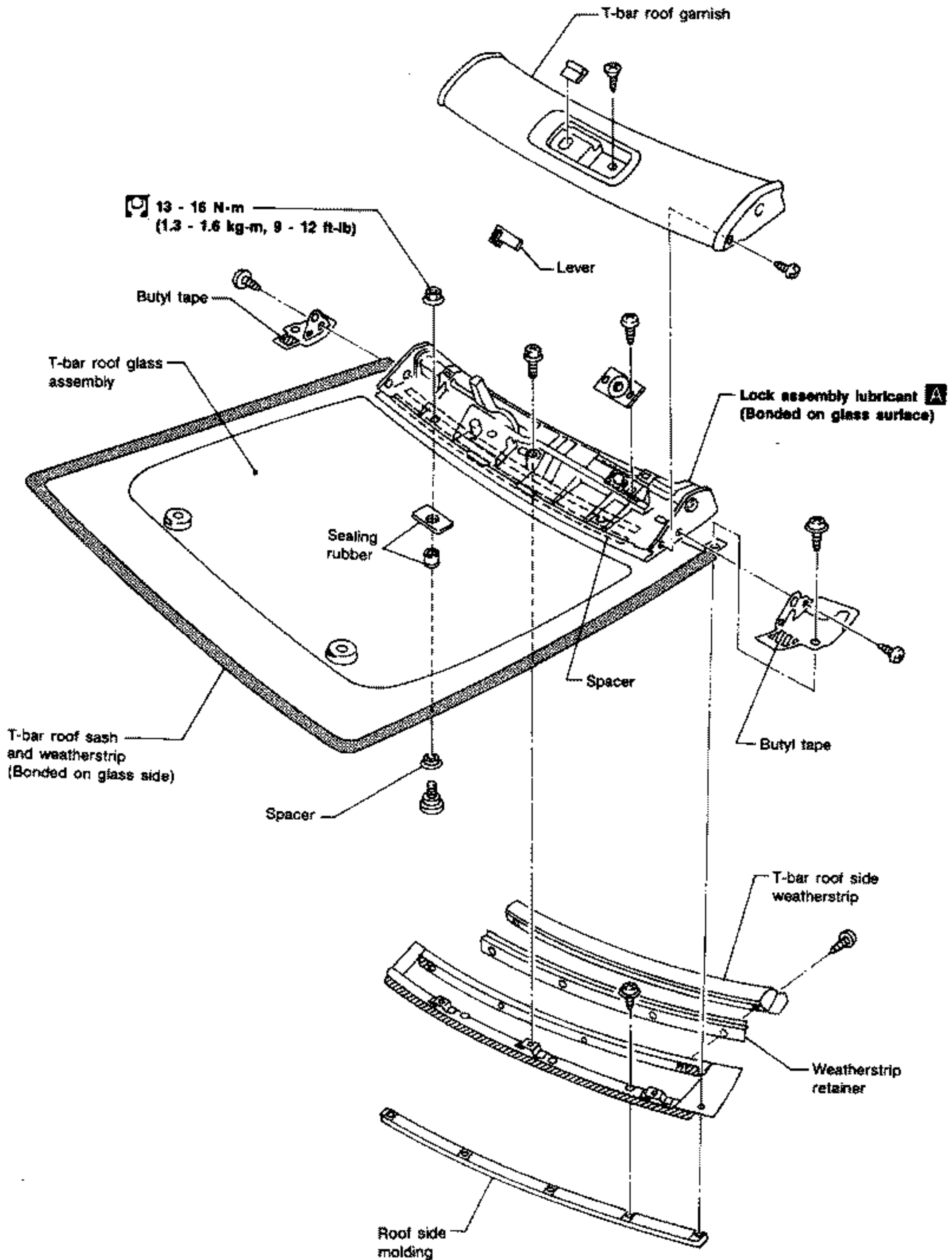


- Apply butyl seal evenly as it tends to become thin in the corners.
- Warm up lamp assembly area to a temperature a little below 60° C (140° F).

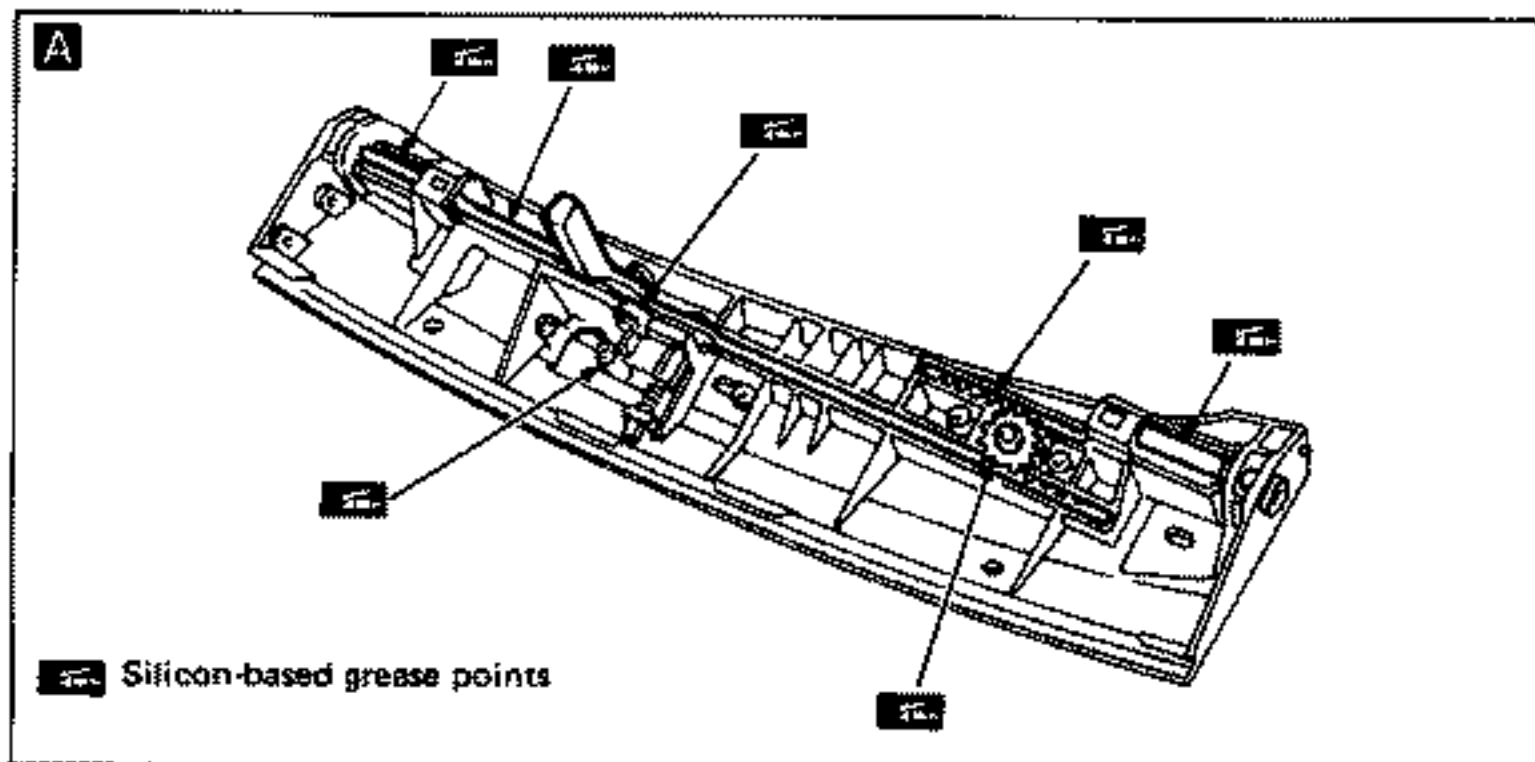
SBF866F

T-BAR ROOF

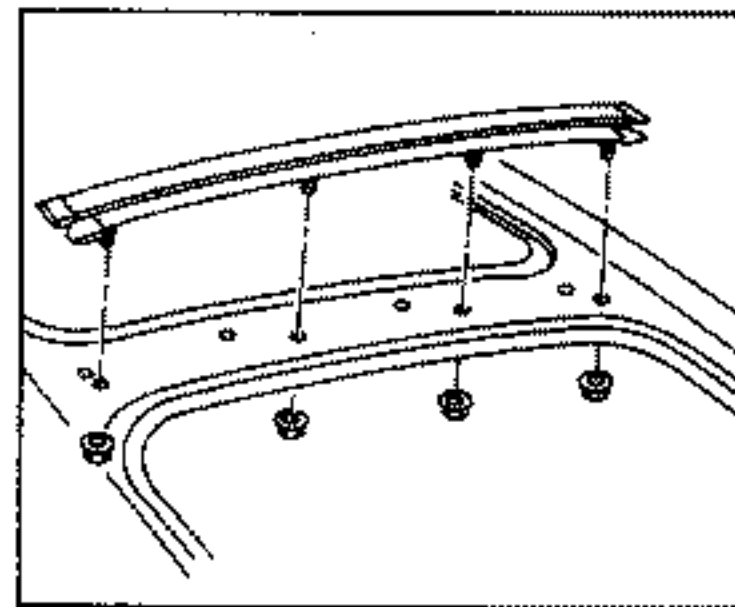
- Handle T-bar roof glass with care so not to damage it.
- Apply sealant to portions susceptible to water leakage if necessary.
- Side molding, sash, lock basement and glass of T-bar roof constitute one unit and cannot be disassembled.



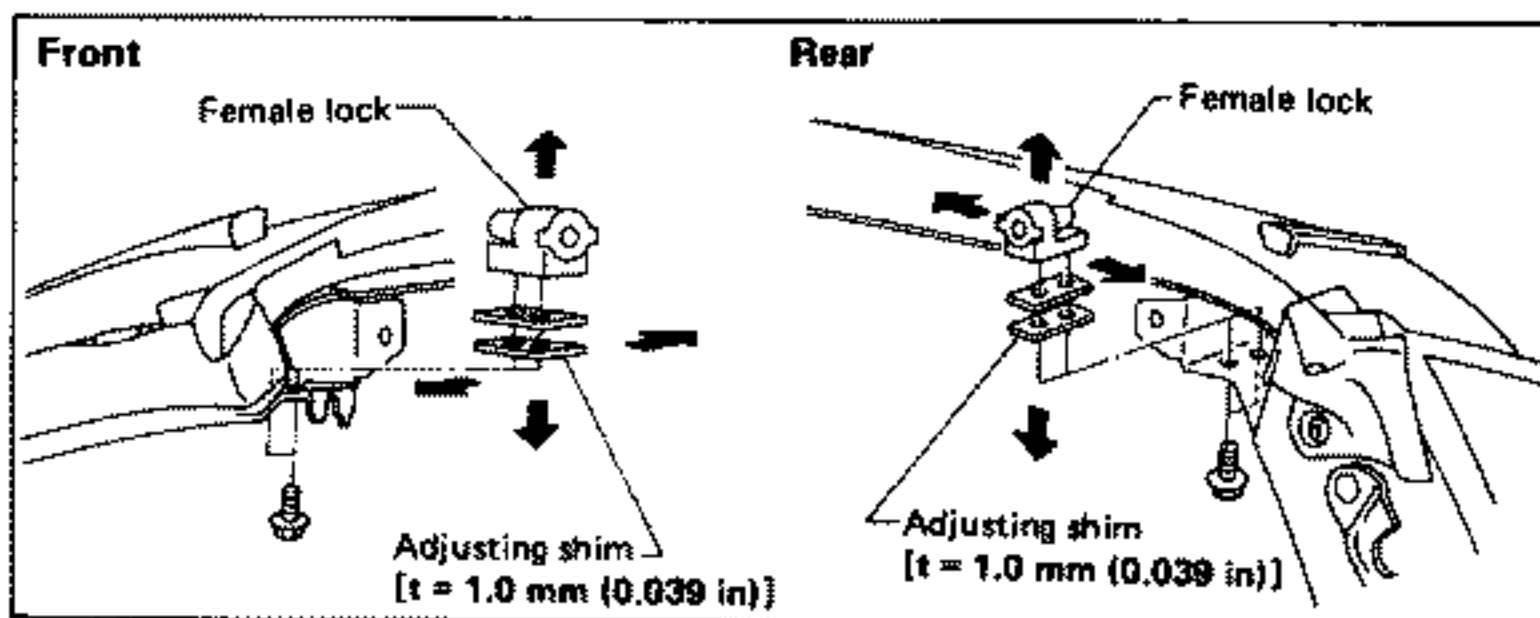
T-BAR ROOF



T-bar roof hook



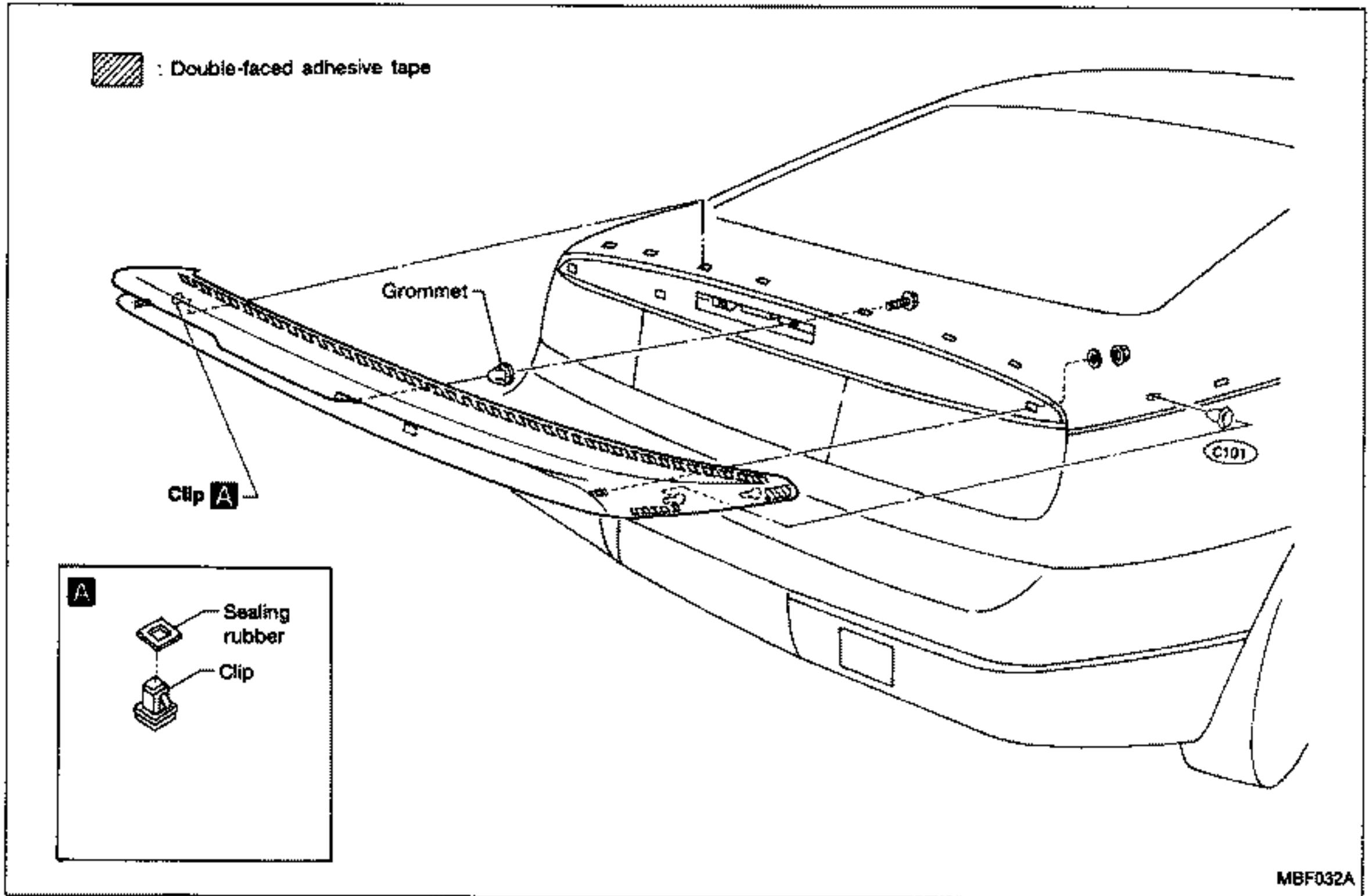
T-bar roof female lock adjustment



REAR AIR SPOILER

- When installing, make sure that there are not gaps or waves at ends of air spoiler.
- Before installing spoiler, clean and remove oil from surface where spoiler will be mounted.

REAR AIR SPOILER



REAR AIR SPOILER

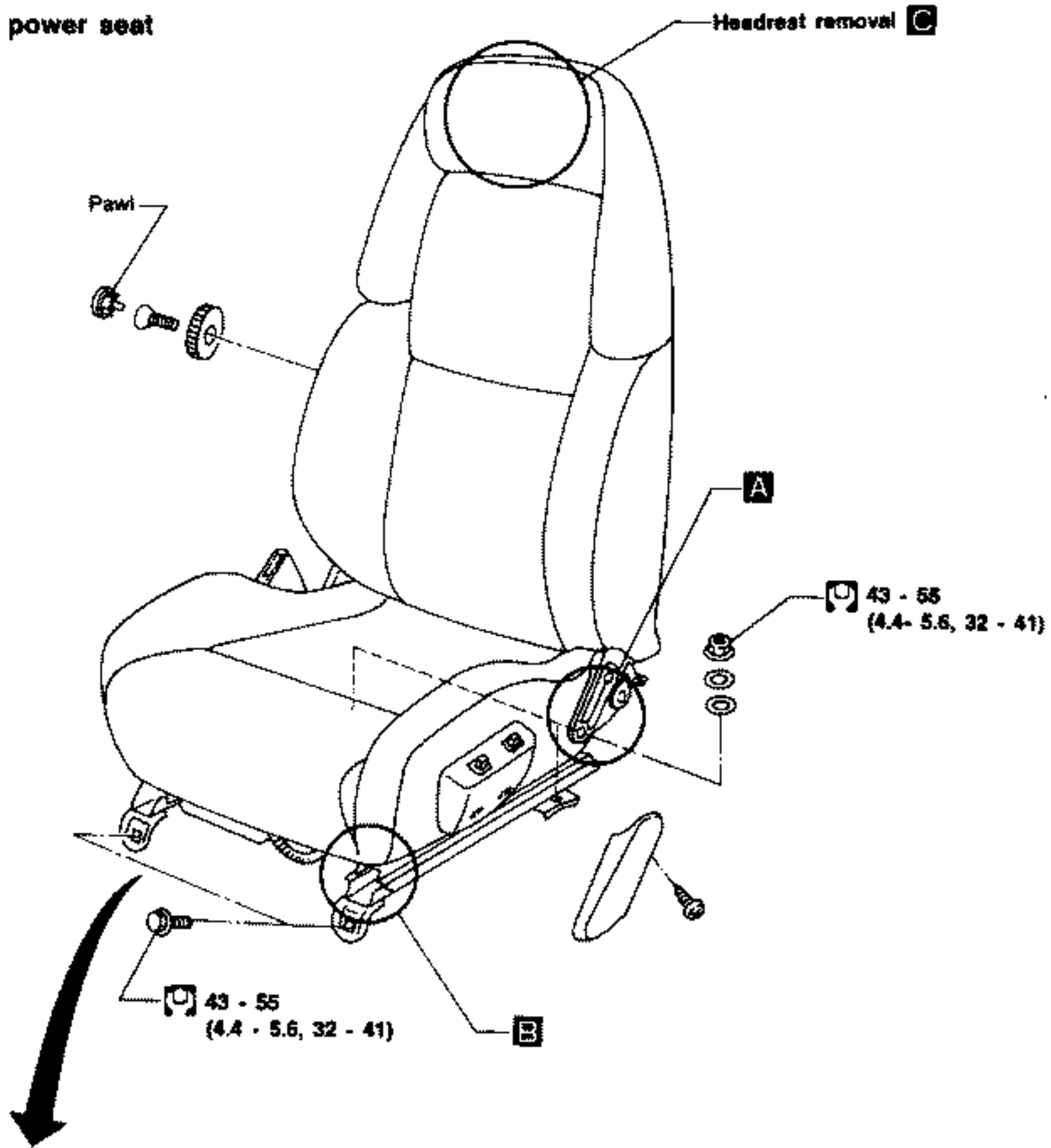
NOTE

SEAT

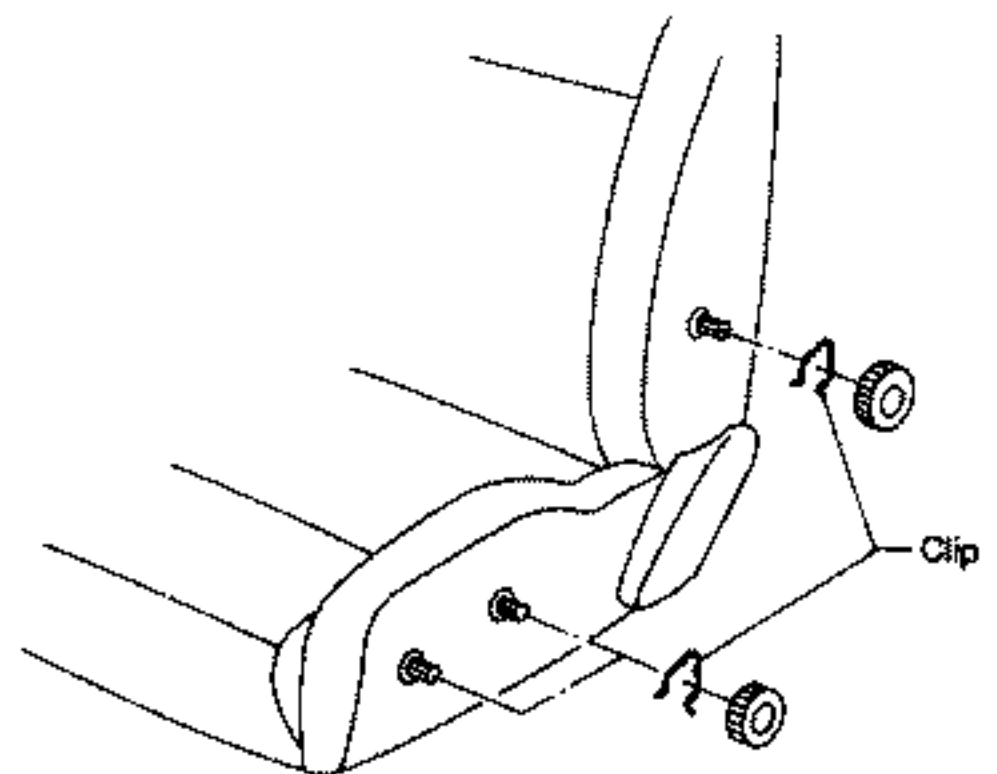
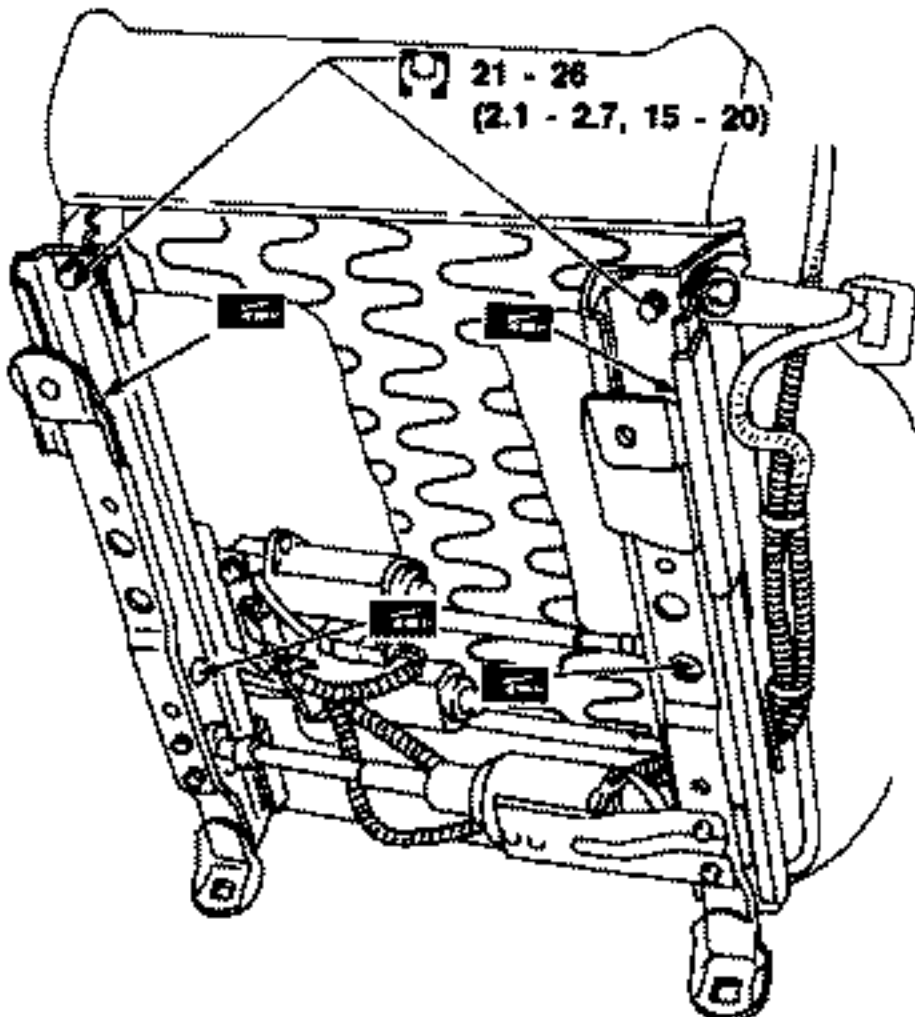
- When removing or installing the seat trim, handle it carefully to keep it from becoming dirty and to avoid damage.

FRONT SEAT

For power seat

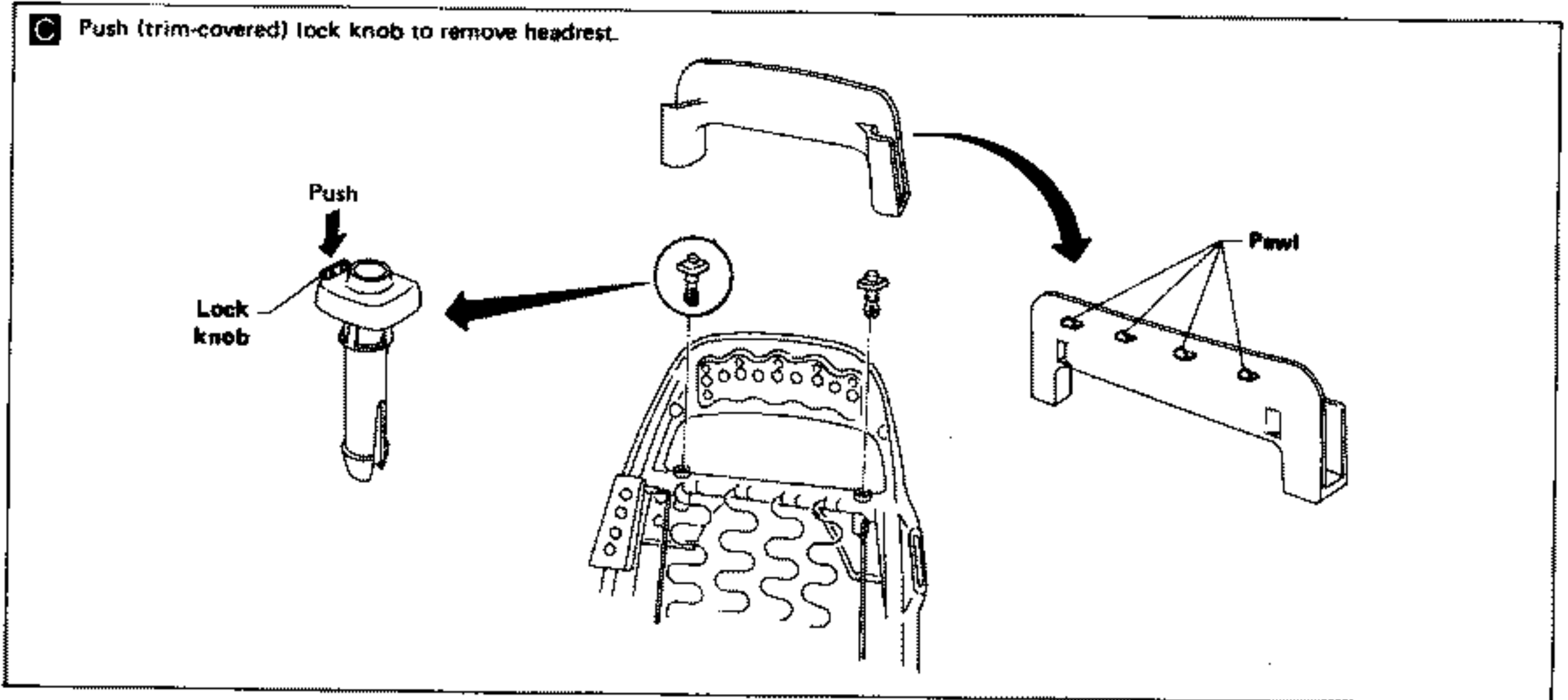
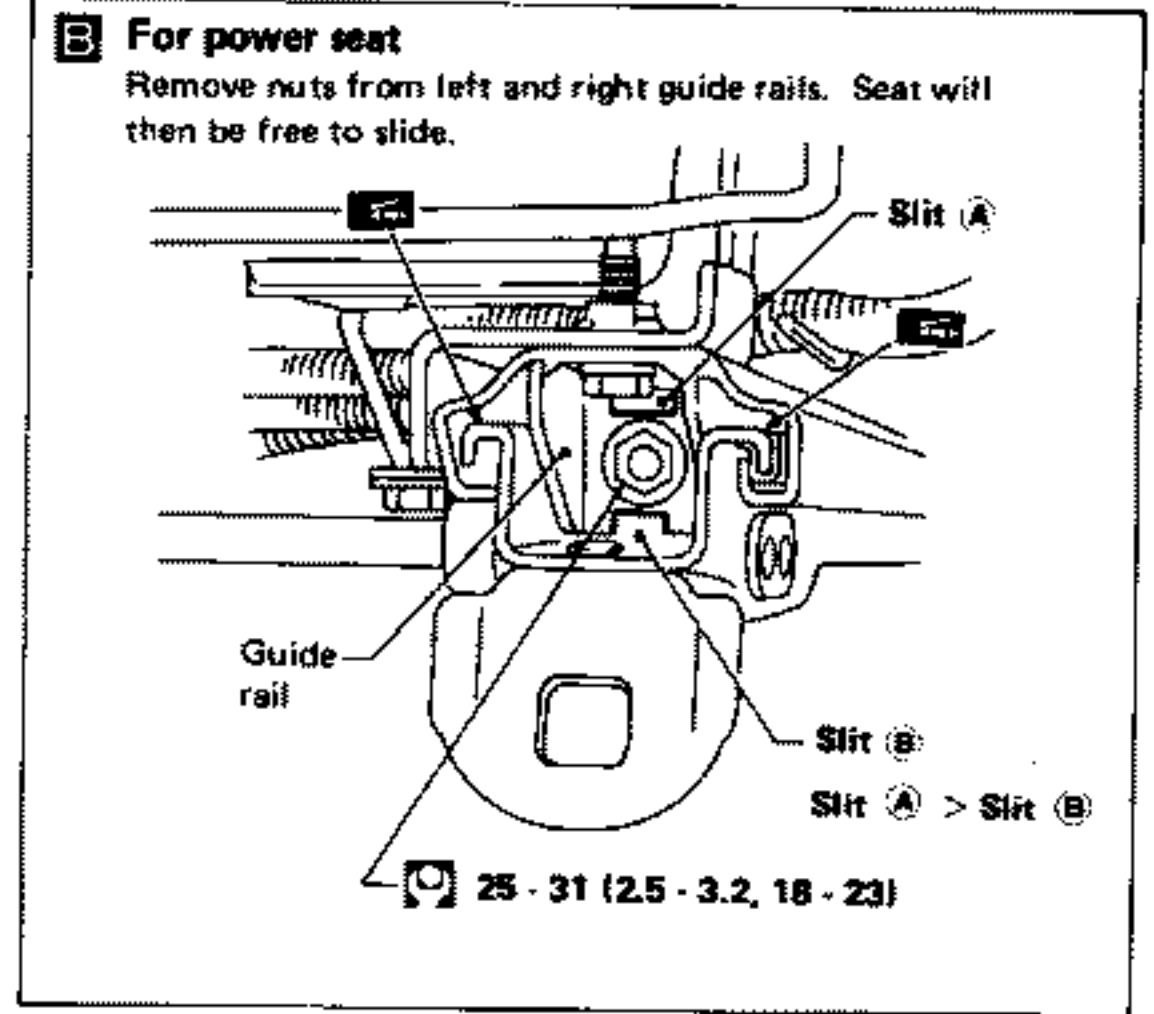
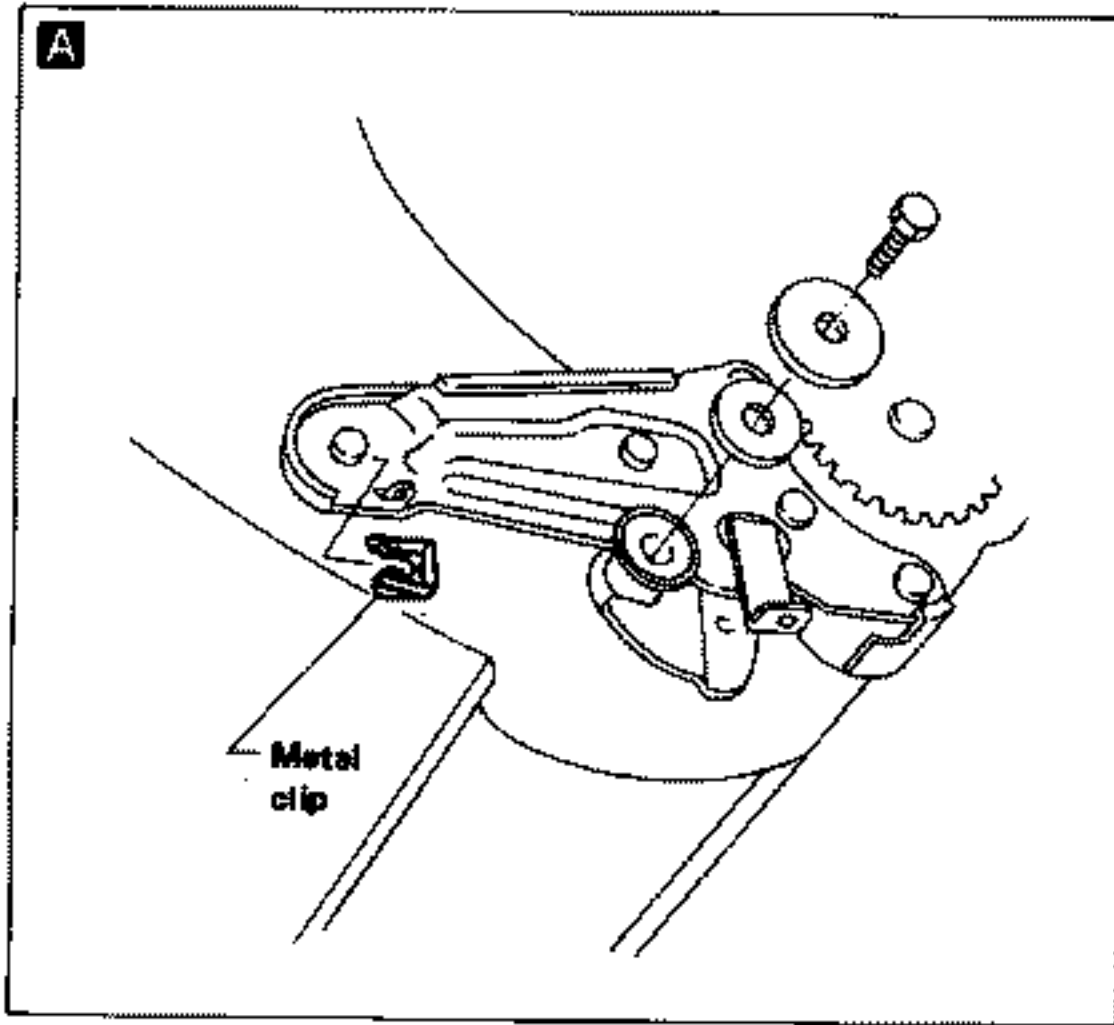


For manual seat



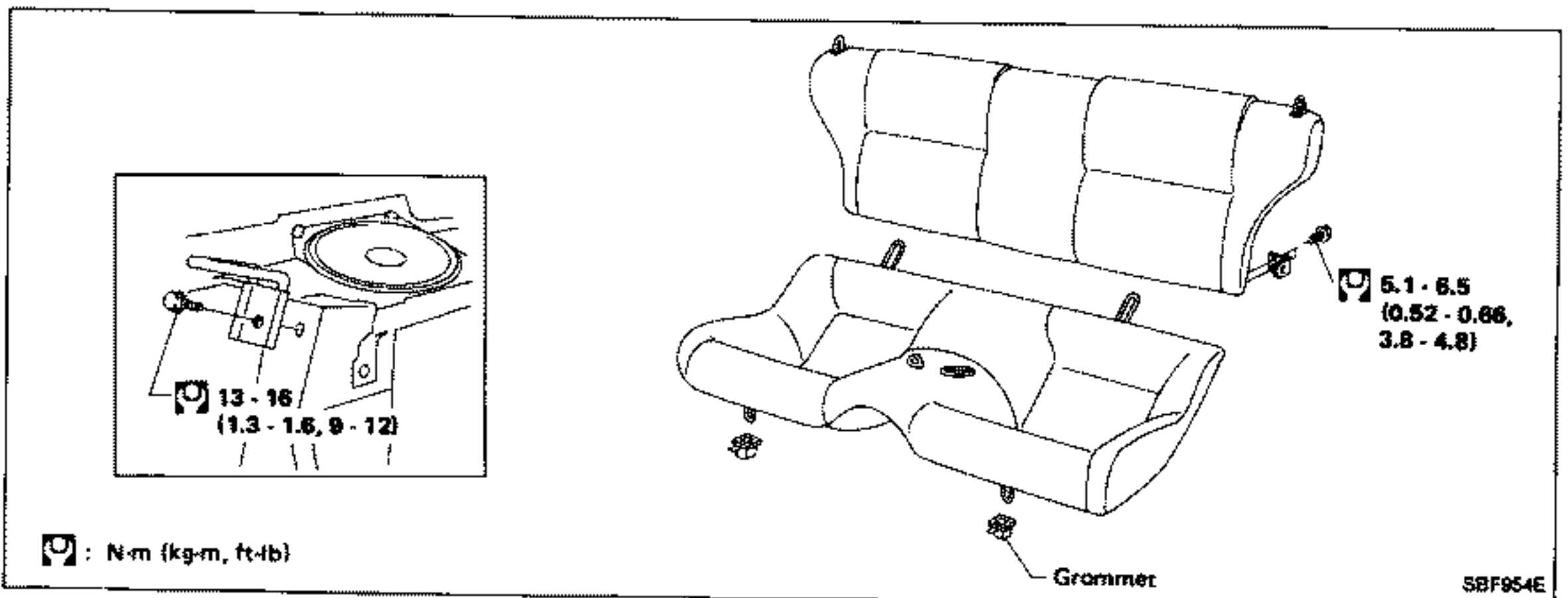
C: N·m (kg·m, ft·lb)

SEAT

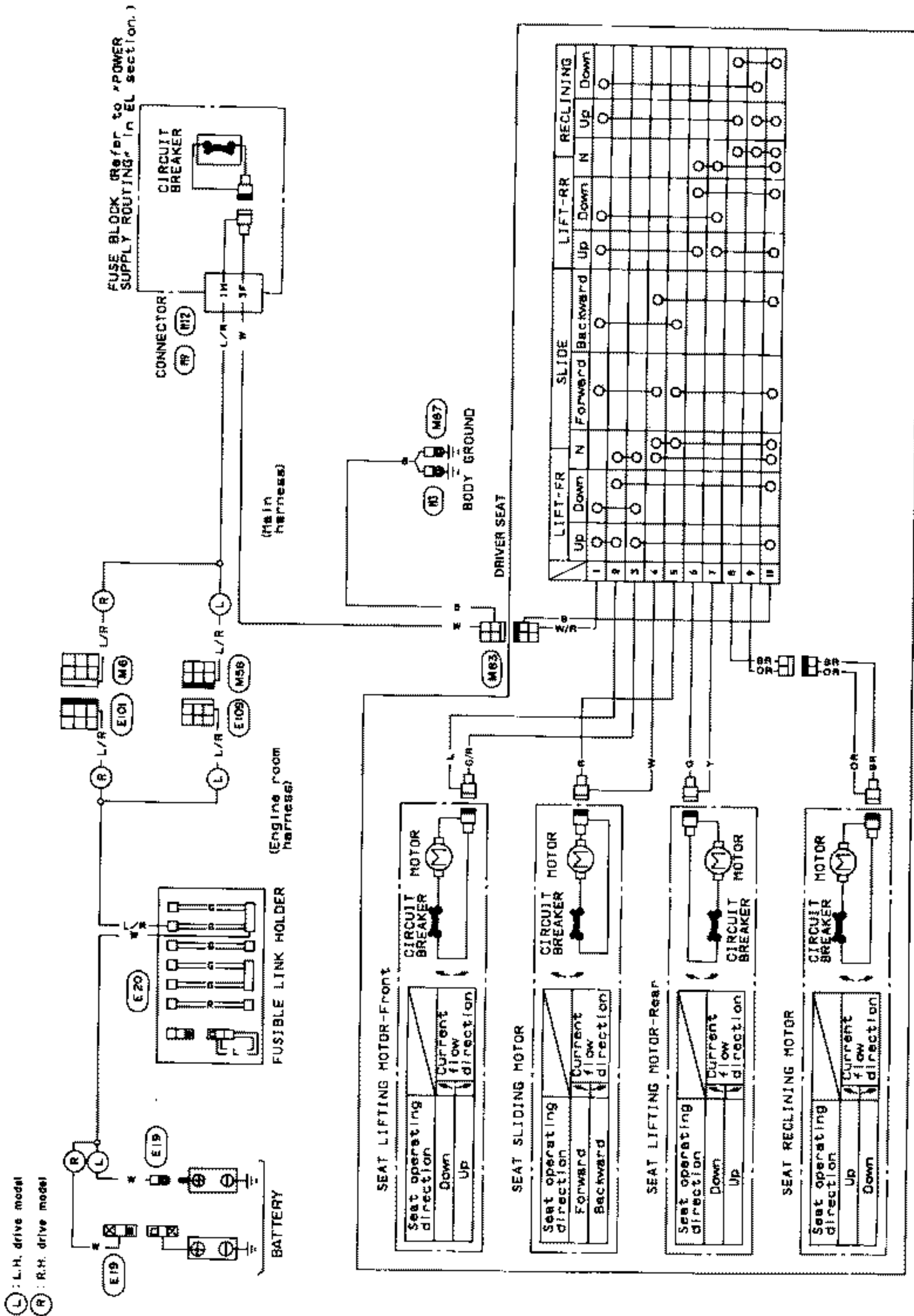


REAR SEAT

MBF057A



POWER SEAT/WIRING DIAGRAM

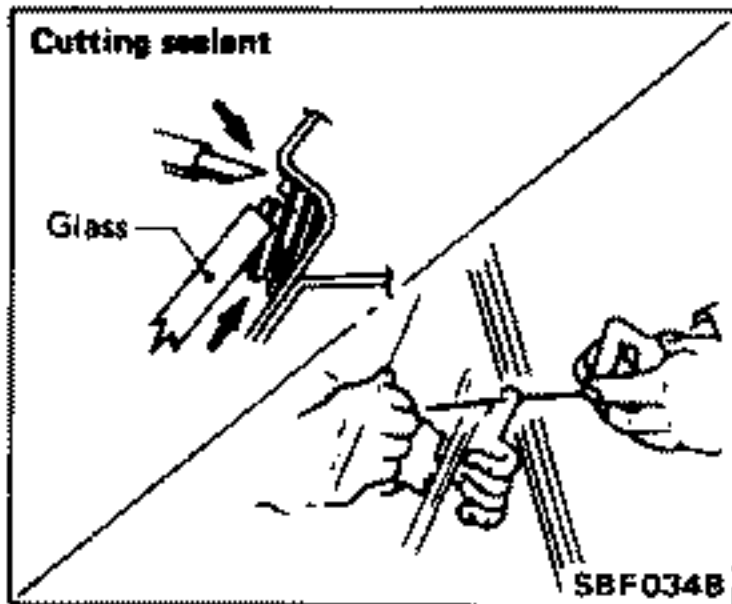


WINDSHIELD AND WINDOWS

Windshield

REMOVAL

After removing moldings, remove glass.

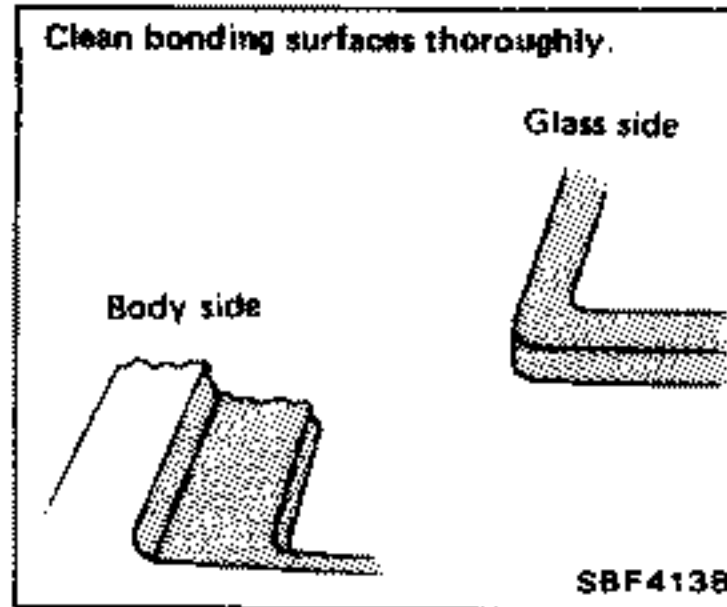


CAUTION:

Be careful not to scratch glass when removing.

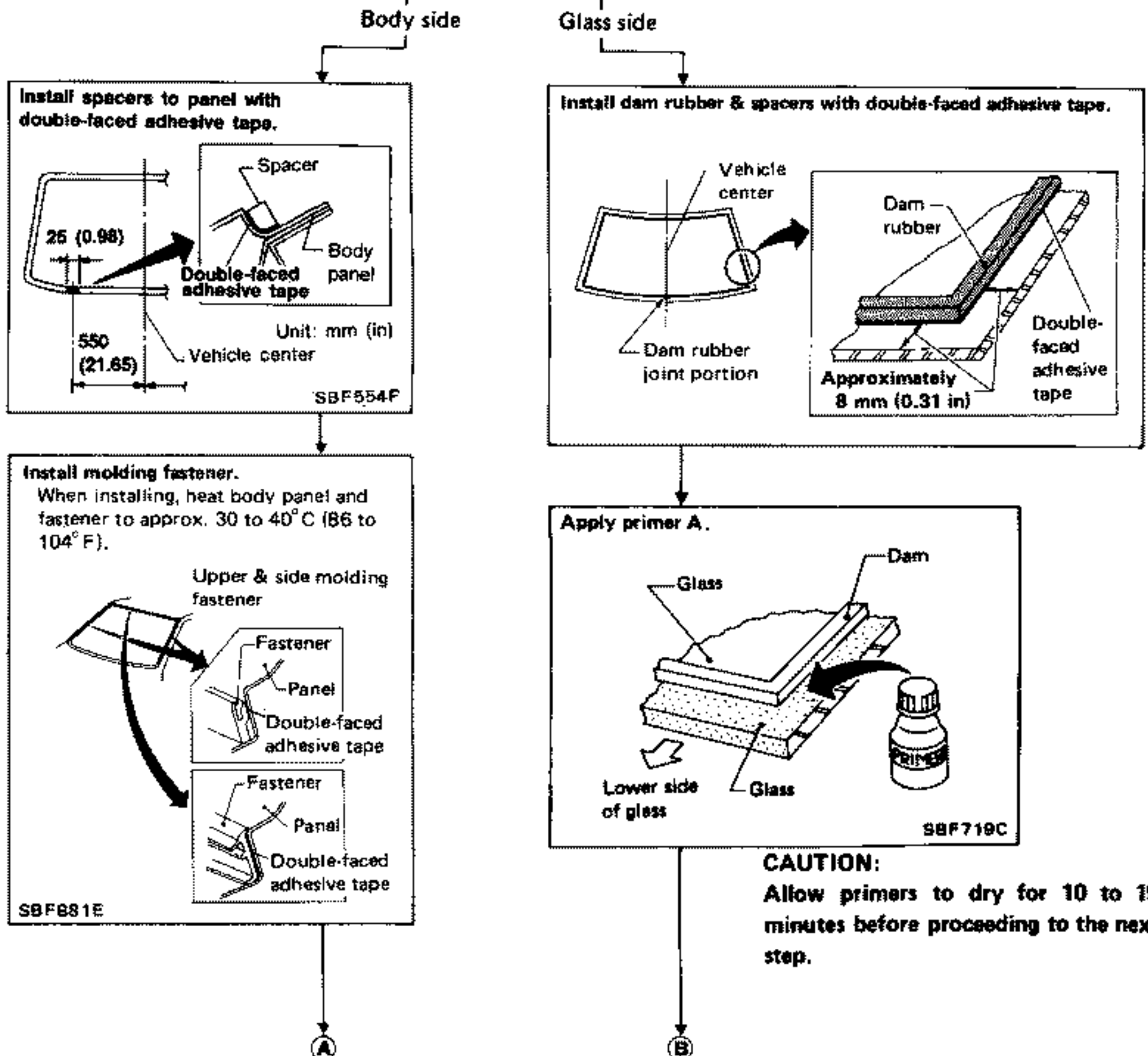
INSTALLATION

- Use genuine Nissan Sealant kit or equivalent. Follow instructions provided with each kit.
- After installation, the vehicle should remain stationary for about 24 hours.
- Do not use sealant which is more than 12 months past its production date.
- Do not leave cartridge unattended with its cap open.
- Keep primers and sealant in a cool, dry place. Nissan recommends that they are stored in a refrigerator.
- Be sure to install moldings.



WARNING:

Keep heat or open flames away as primers are flammable.

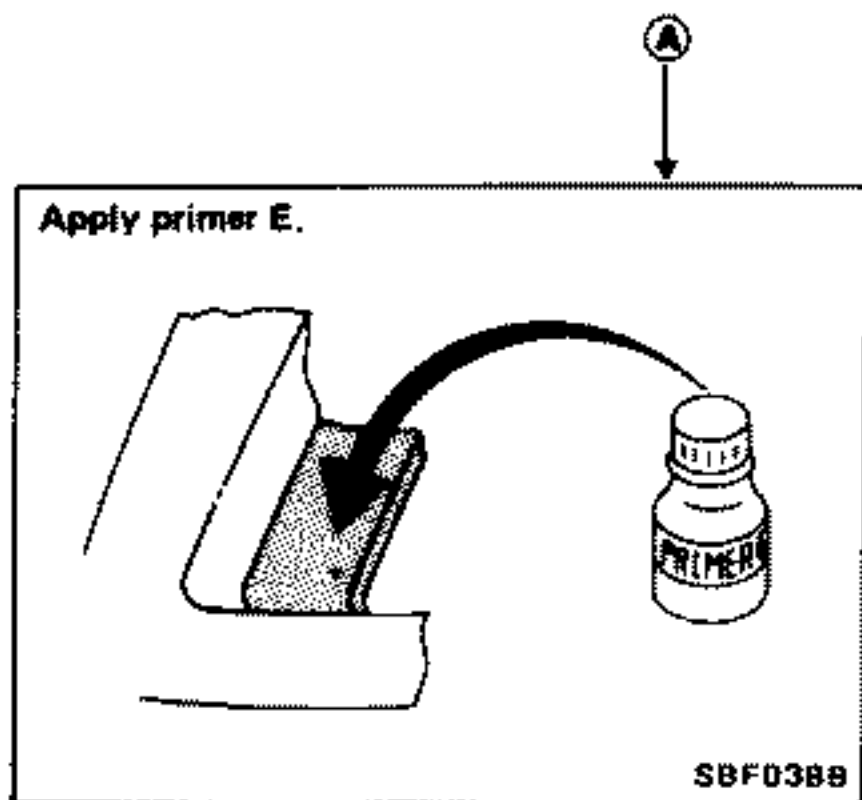


CAUTION:

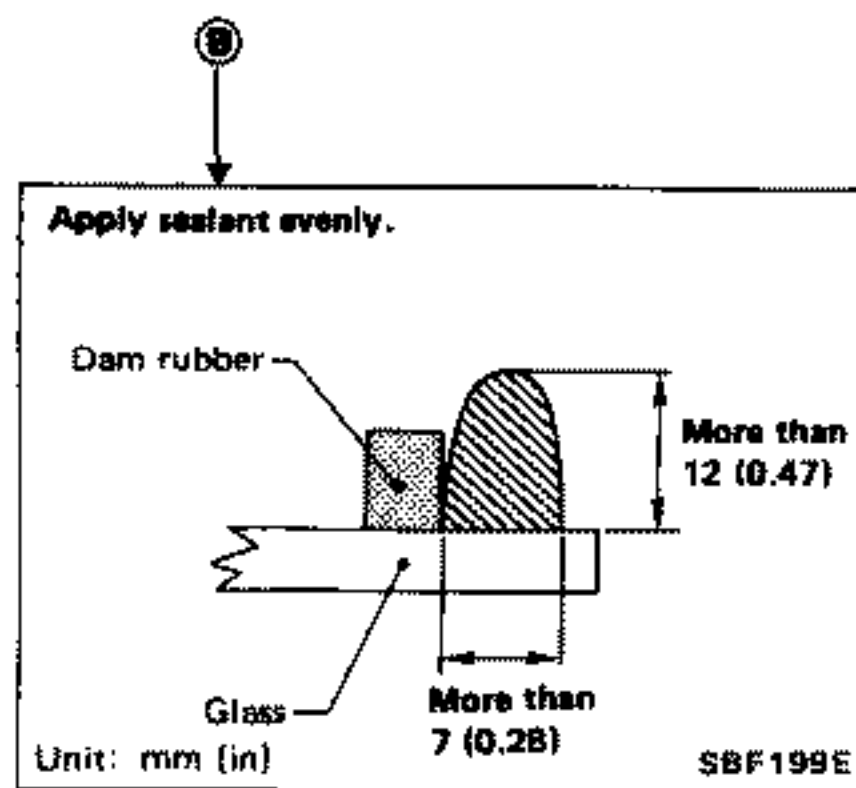
Allow primers to dry for 10 to 15 minutes before proceeding to the next step.

WINDSHIELD AND WINDOWS

Windshield (Cont'd)

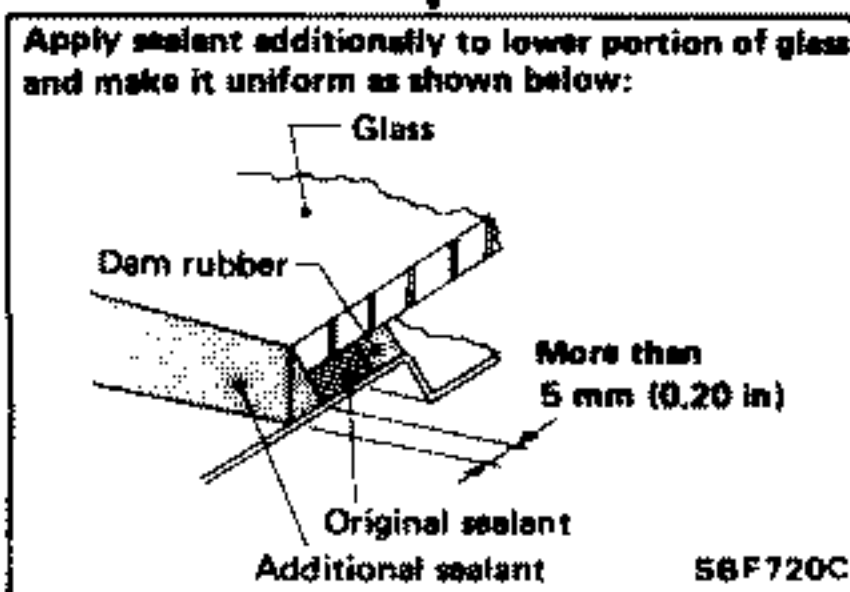


CAUTION:
Allow primers to dry for 10 to 15 minutes before proceeding to the next step.



CAUTION:
Windshield glass should be installed within 15 minutes of applying sealant; sealant starts to harden 15 minutes after it is applied.

Set glass in position and press glass lightly and evenly.



Check for water leakage.

CAUTION:
For sealant drying period, refer to "Drying Time for Sealant".

Apply sealant to upper & side molding fixing portion.

Set upper and side moldings.

CAUTION:
Molding must be installed securely so that it is in position and leaves no gap.

Install lower molding.

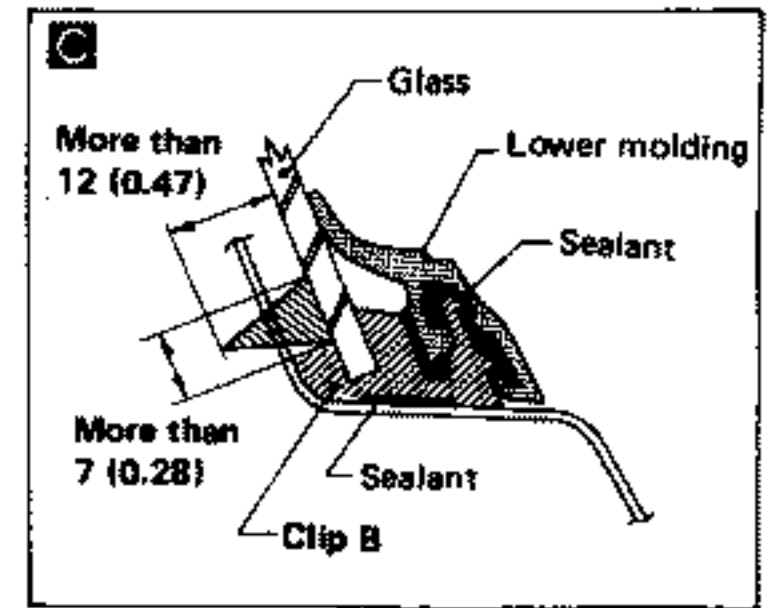
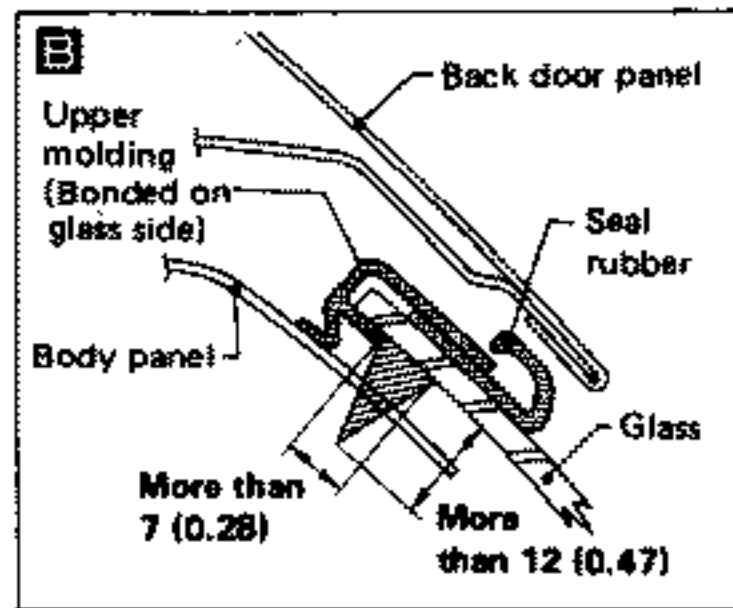
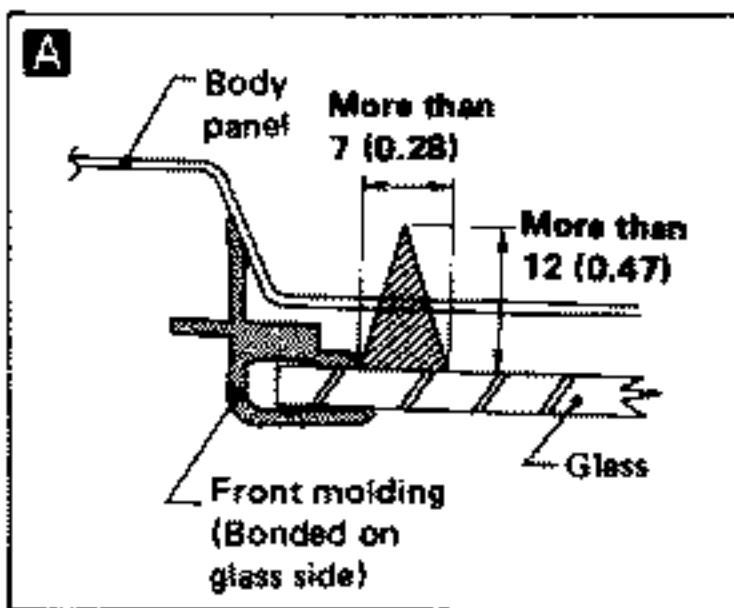
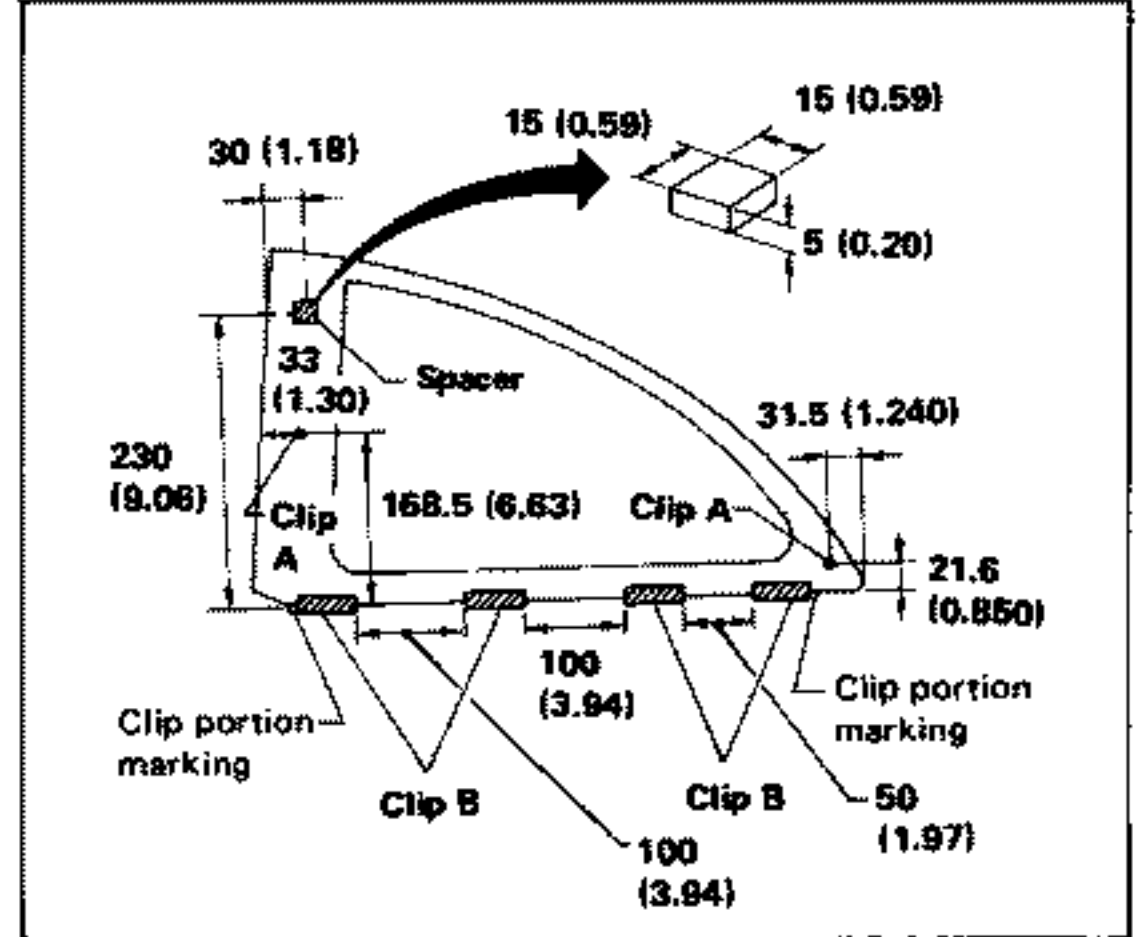
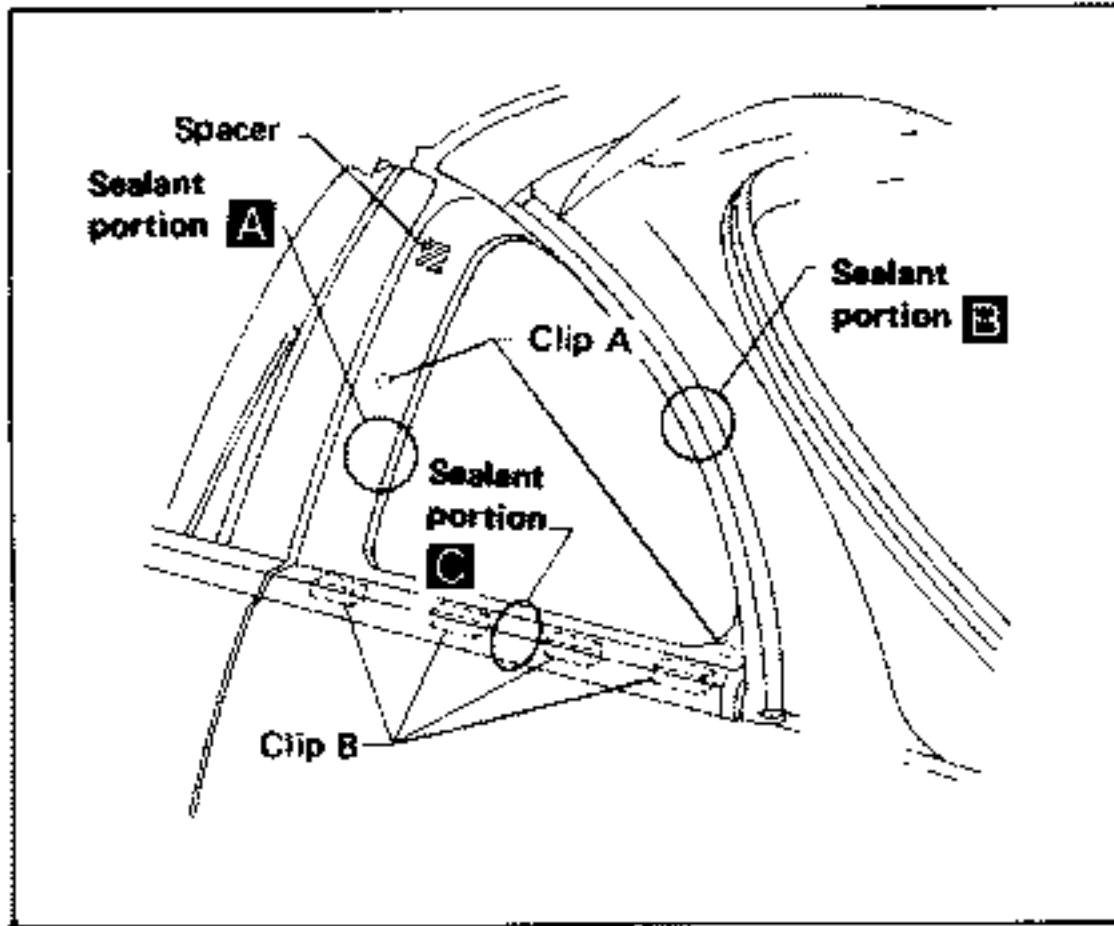
For details of moldings, refer to "Exterior".

WINDSHIELD AND WINDOWS

Side Window

Spacer and clip portion

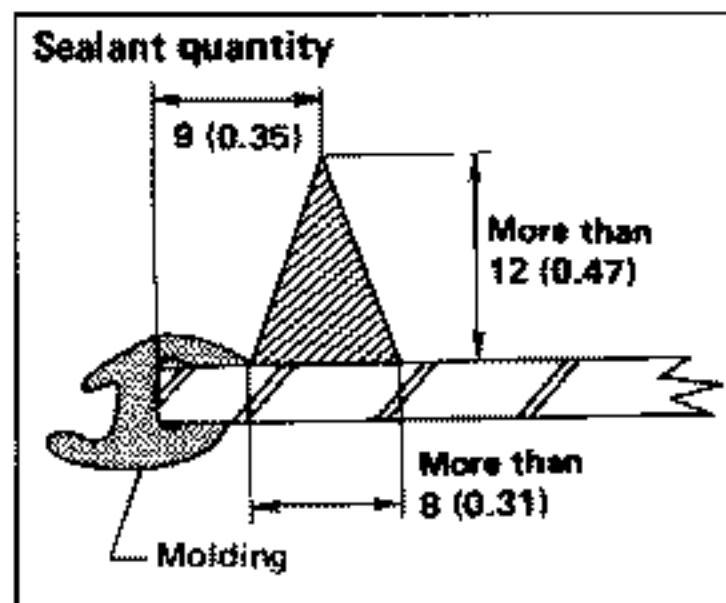
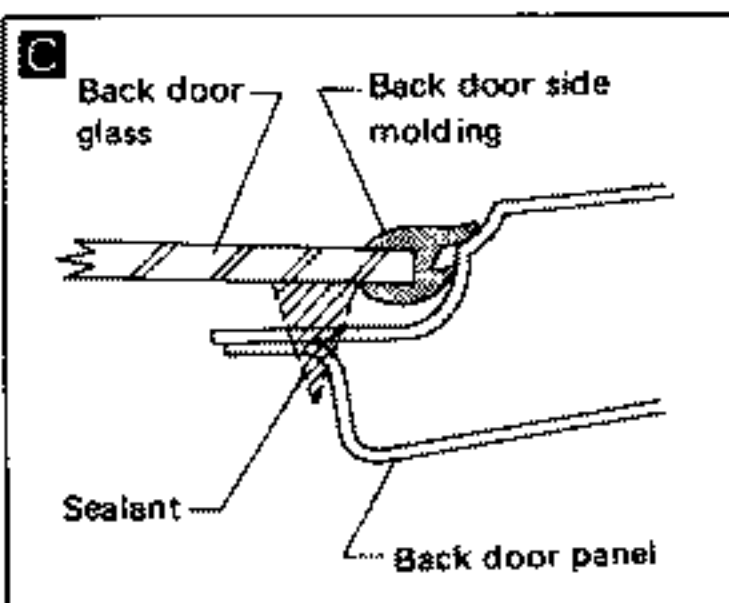
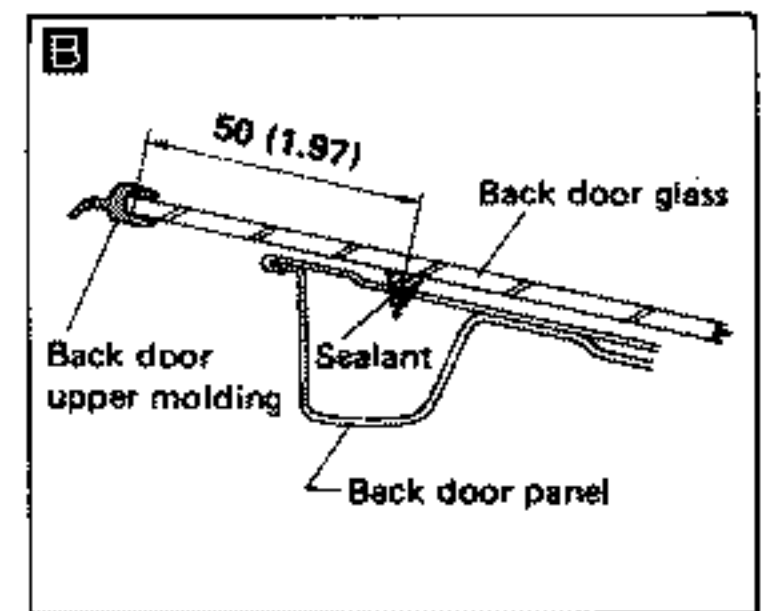
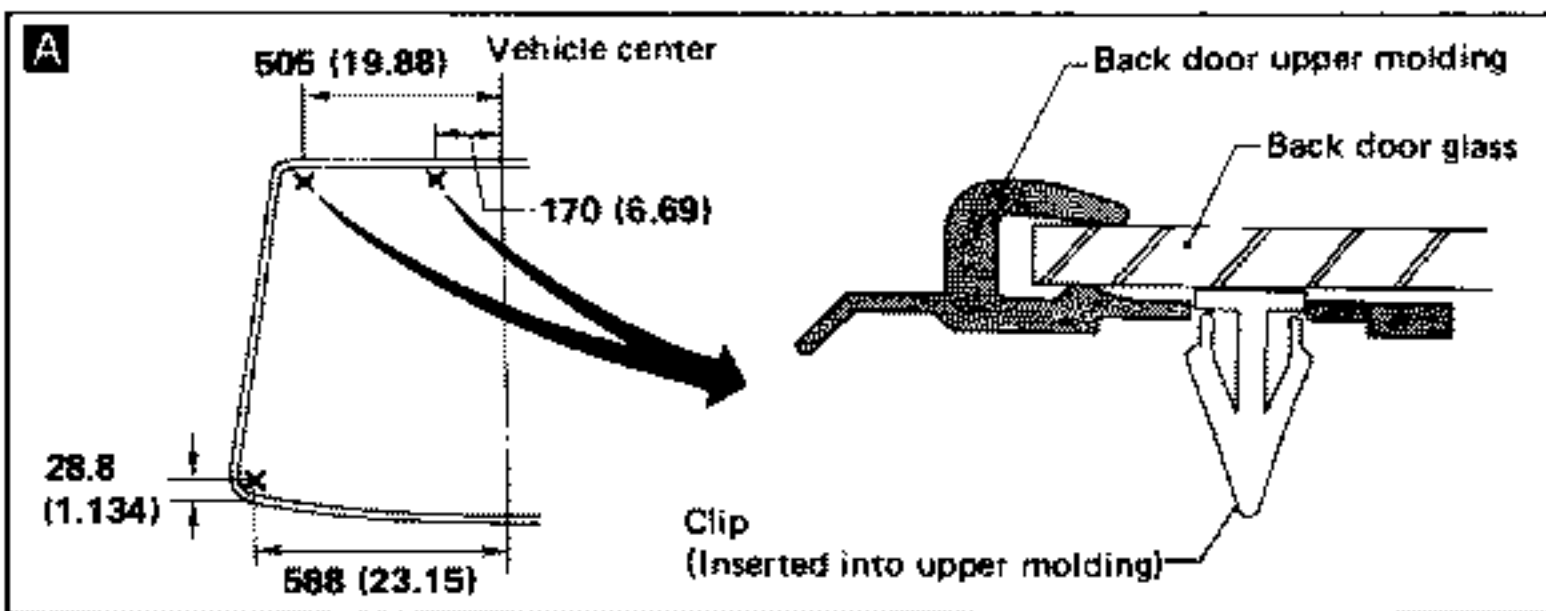
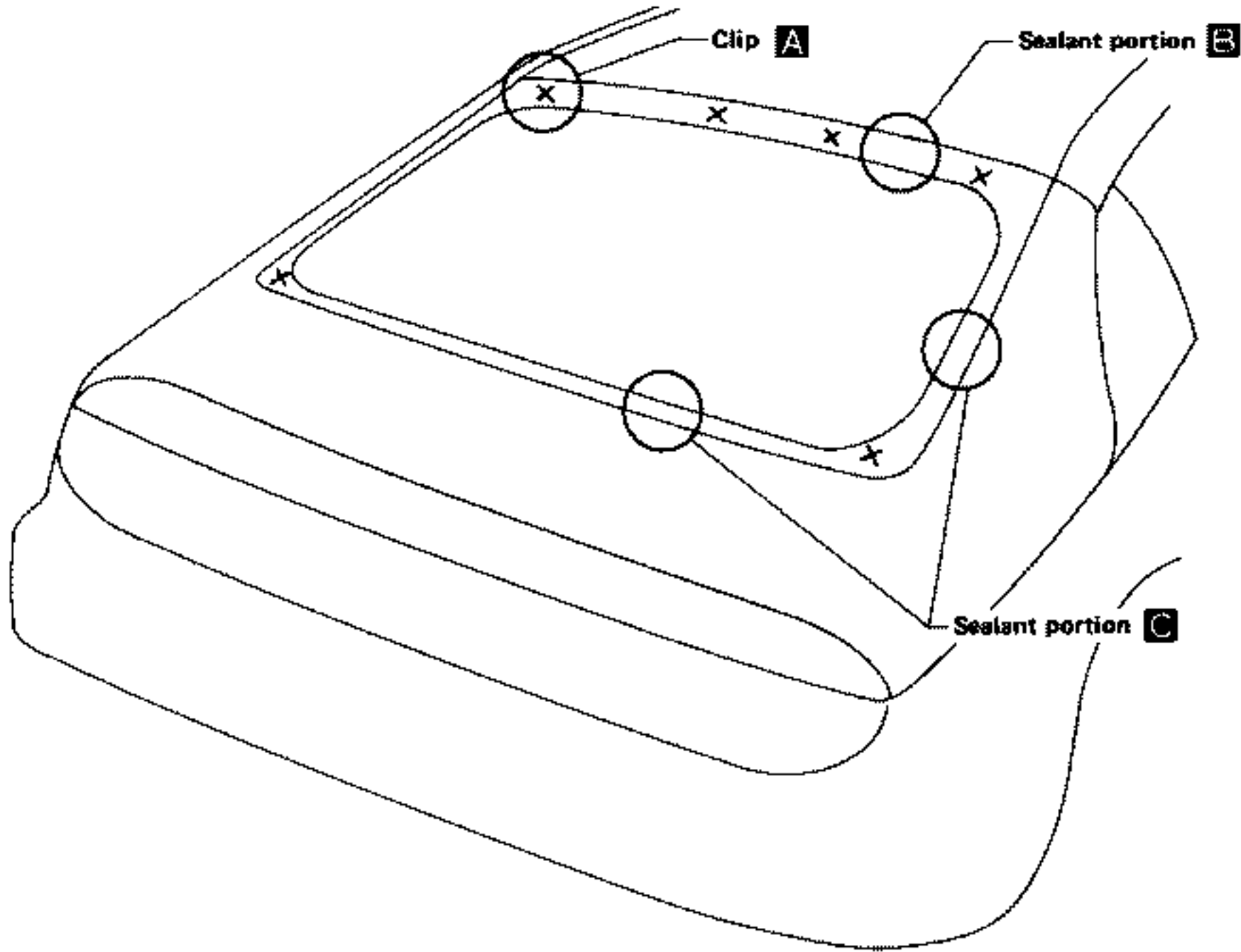
Unit: mm (in)



WINDSHIELD AND WINDOWS

Back Door Window

- Construction and removal/reinstallation method of back door window are basically the same as those of windshield.
- For sealant drying time, refer to "Drying Time for Sealant".
- For details of moldings, refer to "Exterior".



Unit: mm (in)

SBF884E

WINDSHIELD AND WINDOWS

Drying Time for Sealant

Reference: Time required for sealant to dry to desired hardness.

Unit: days

Relative humidity %	90	50	25
Temperature °C (°F)			
40 (104)	1.0	1.5	3.0
25 (77)	1.5	2.5	5.0
5 (41)	3.0	8.0	13.0

CAUTION:

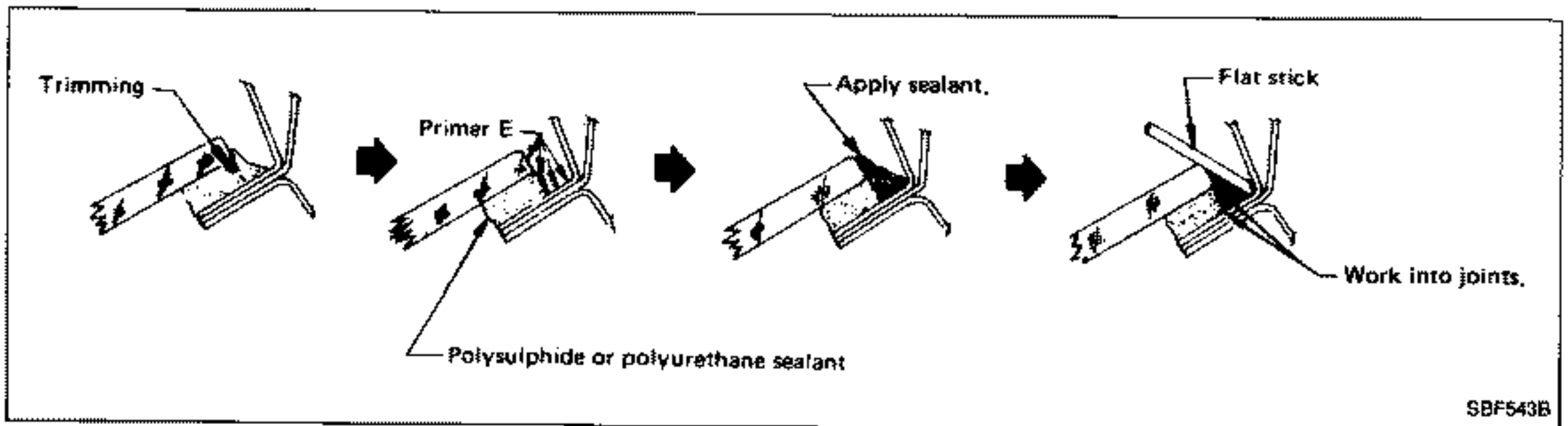
Advise the user of the fact that vehicle should not be driven on rough roads or surfaces until sealant has properly vulcanized.

Repairing Water Leaks for Windshield, Side Window and Back Door Window

Leaks can be repaired without removing and reinstalling glass.

If water is leaking between caulking material and body or between glass and caulking material, determine the extent of the leak by applying water while pushing glass outward.

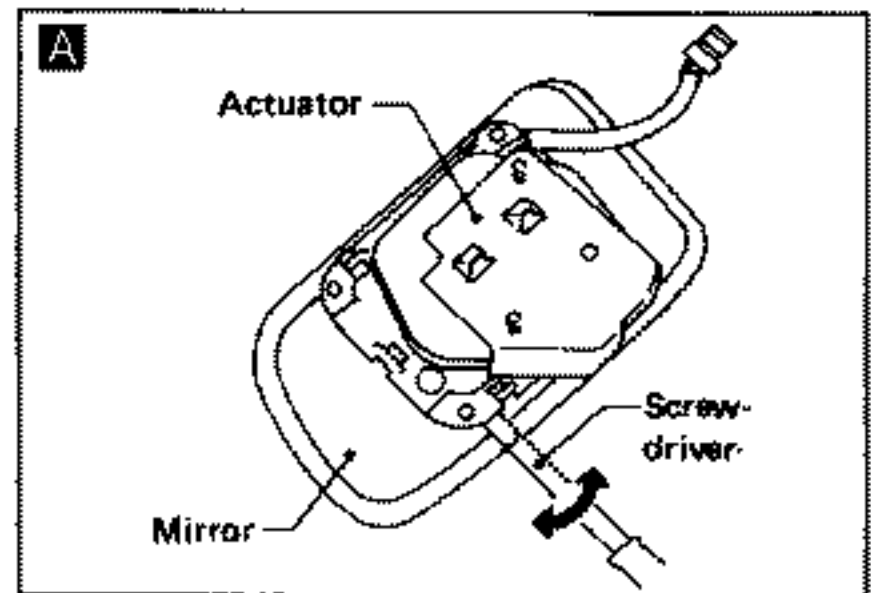
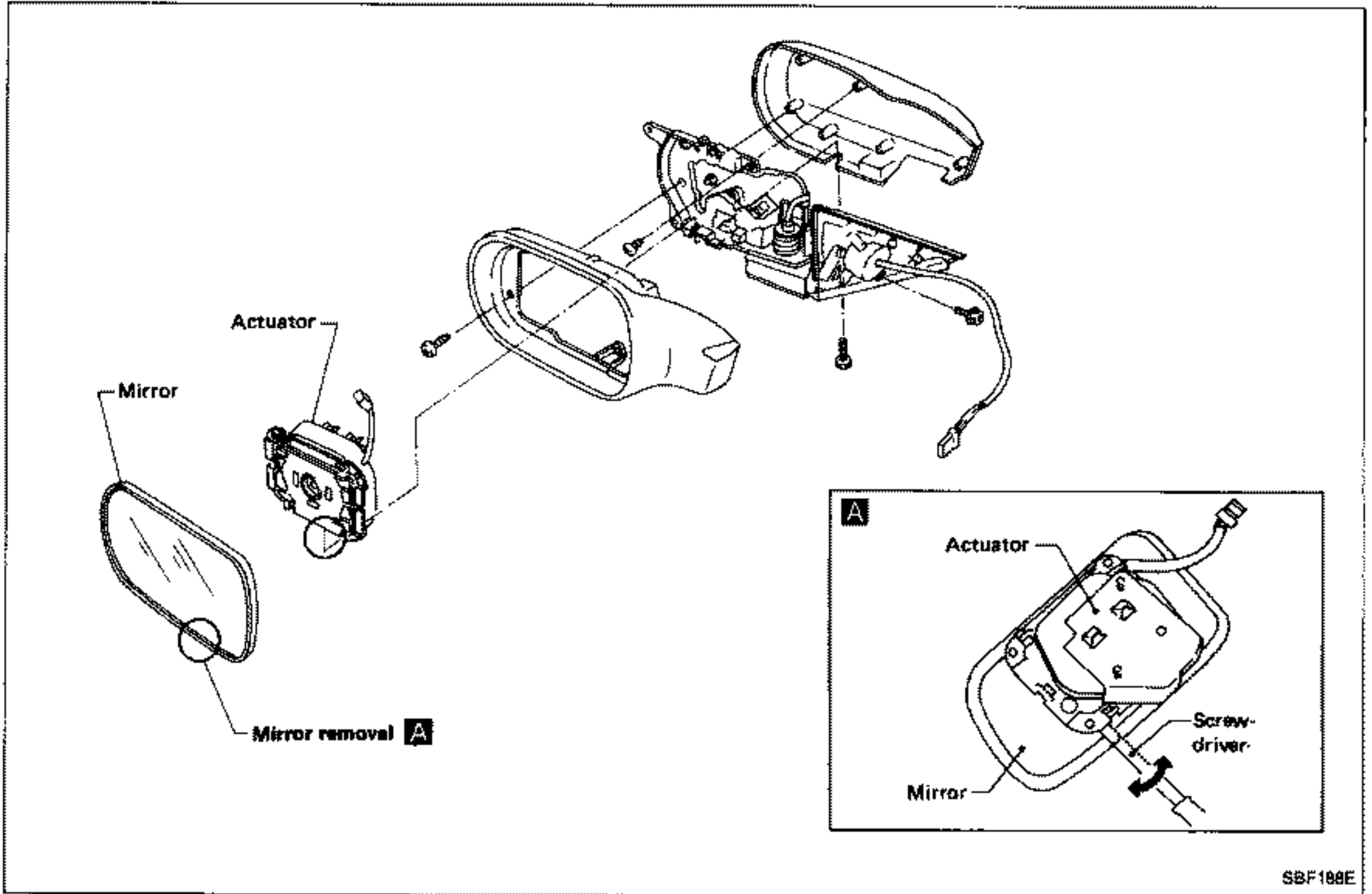
To stop the leak, apply primer and then sealant to the leak point.



Afterwards, install molding securely.

MIRROR

Door Mirror



SBF188E

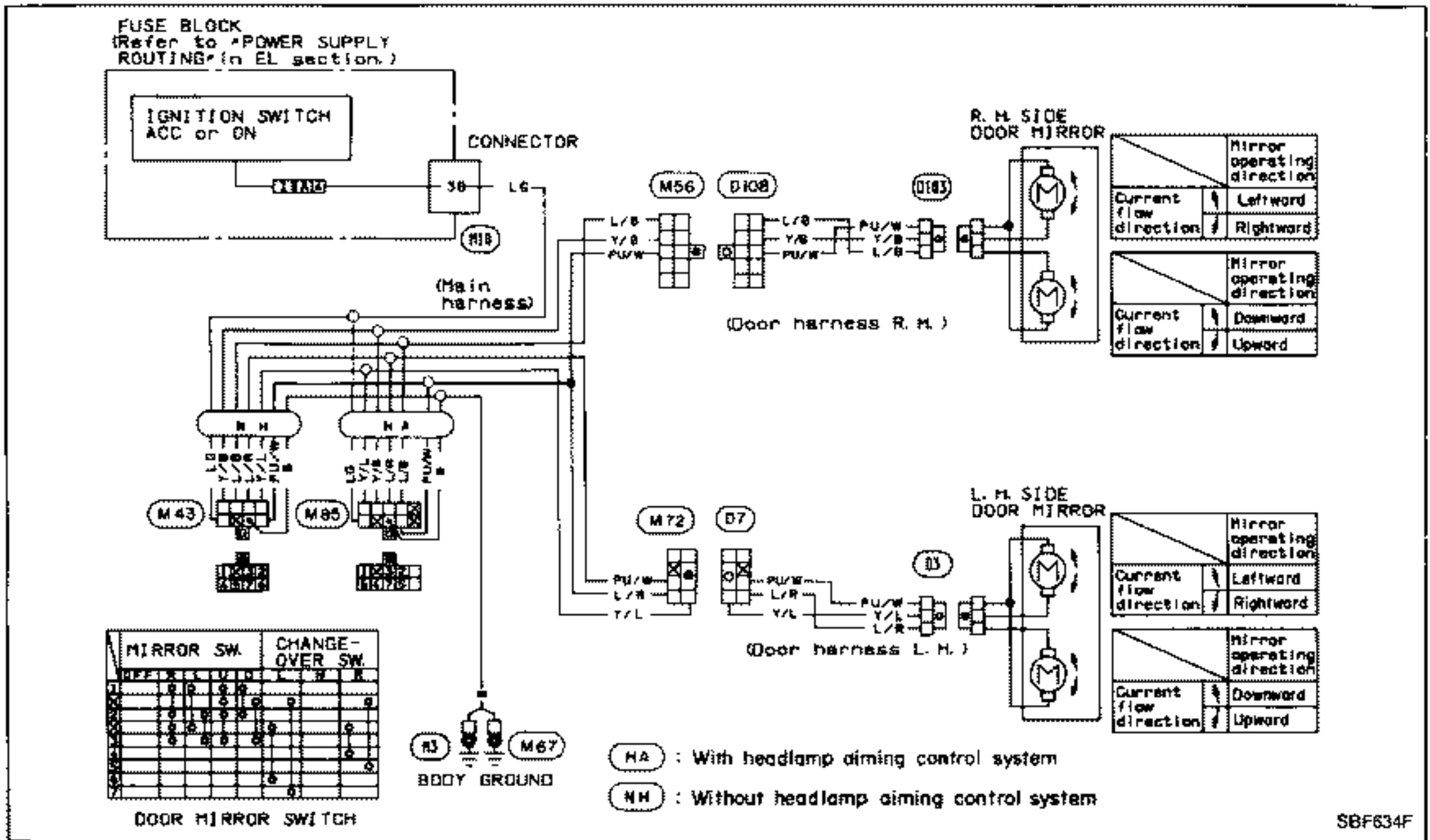
MIRROR

Door Mirror (Cont'd)

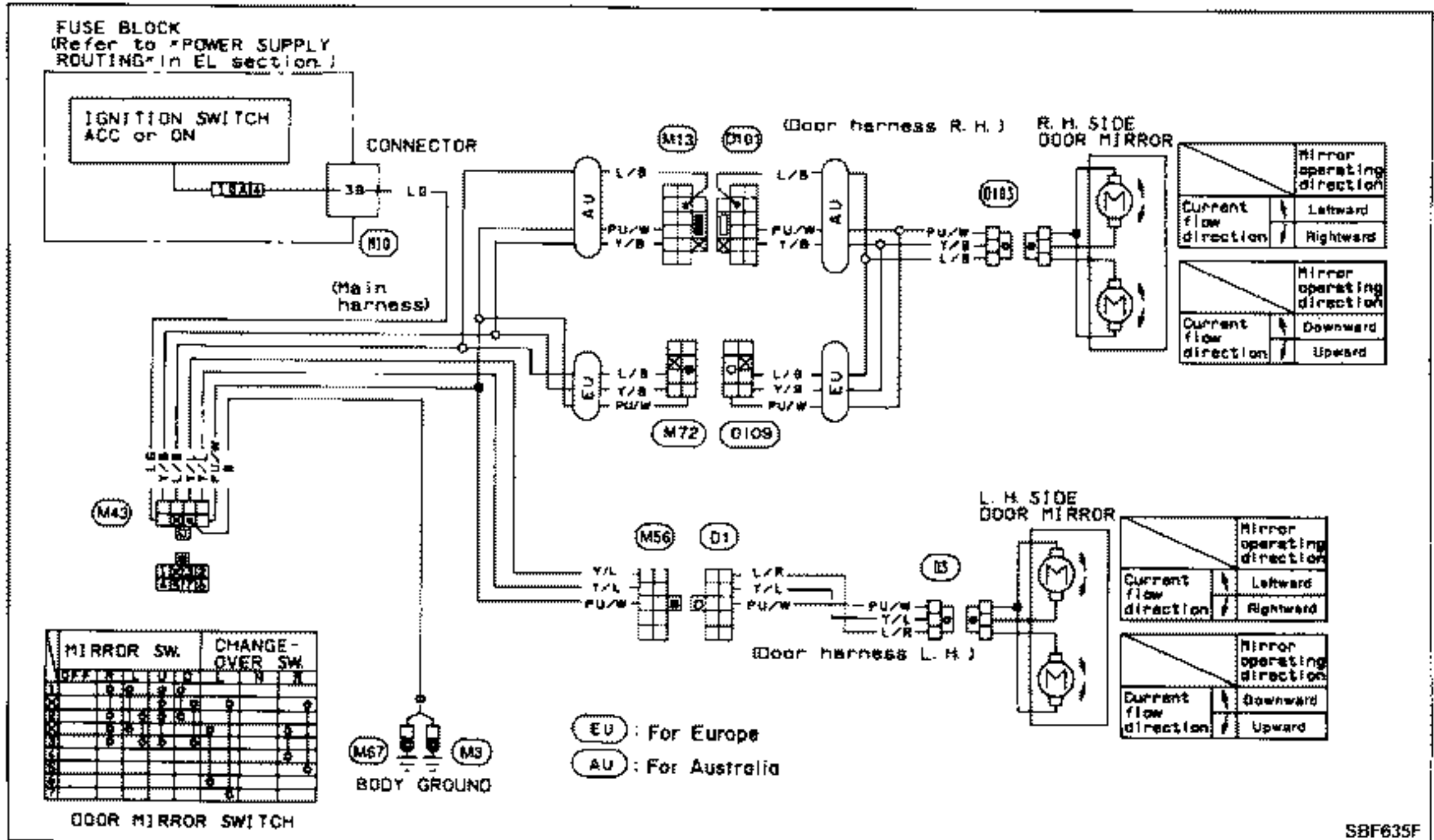
WIRING DIAGRAM

Without door mirror defogger

L.H. drive model

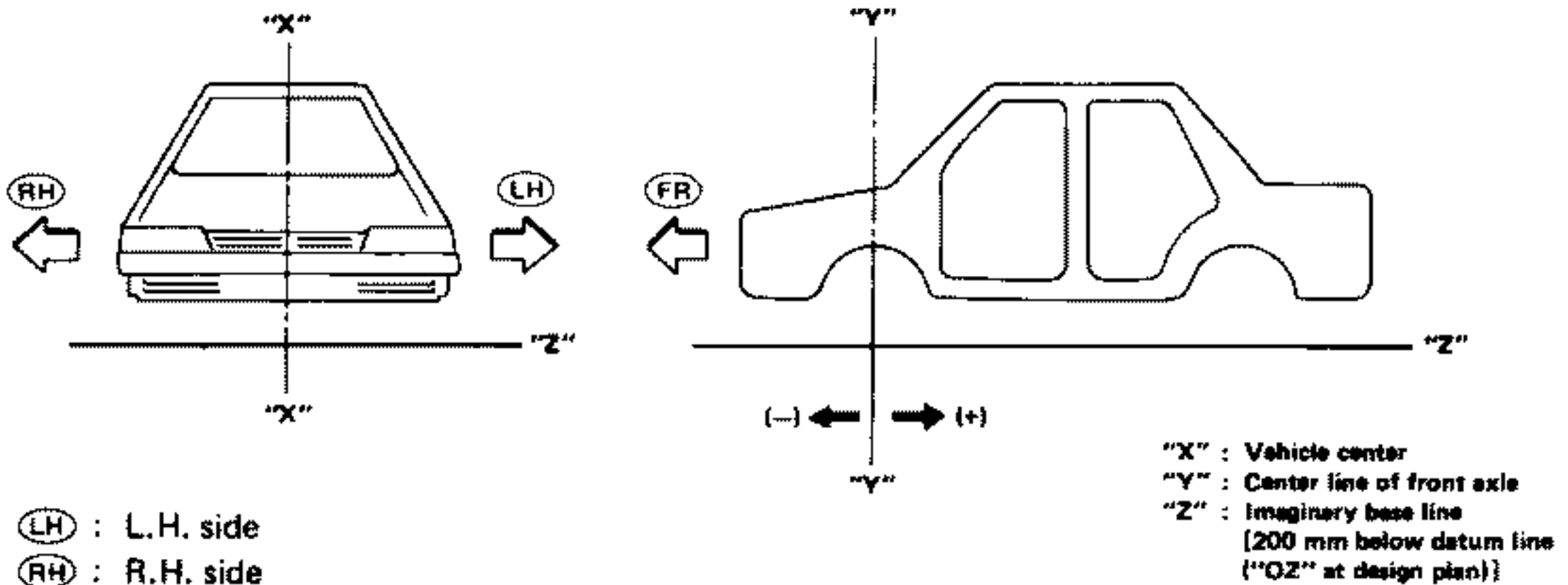


R.H. drive model



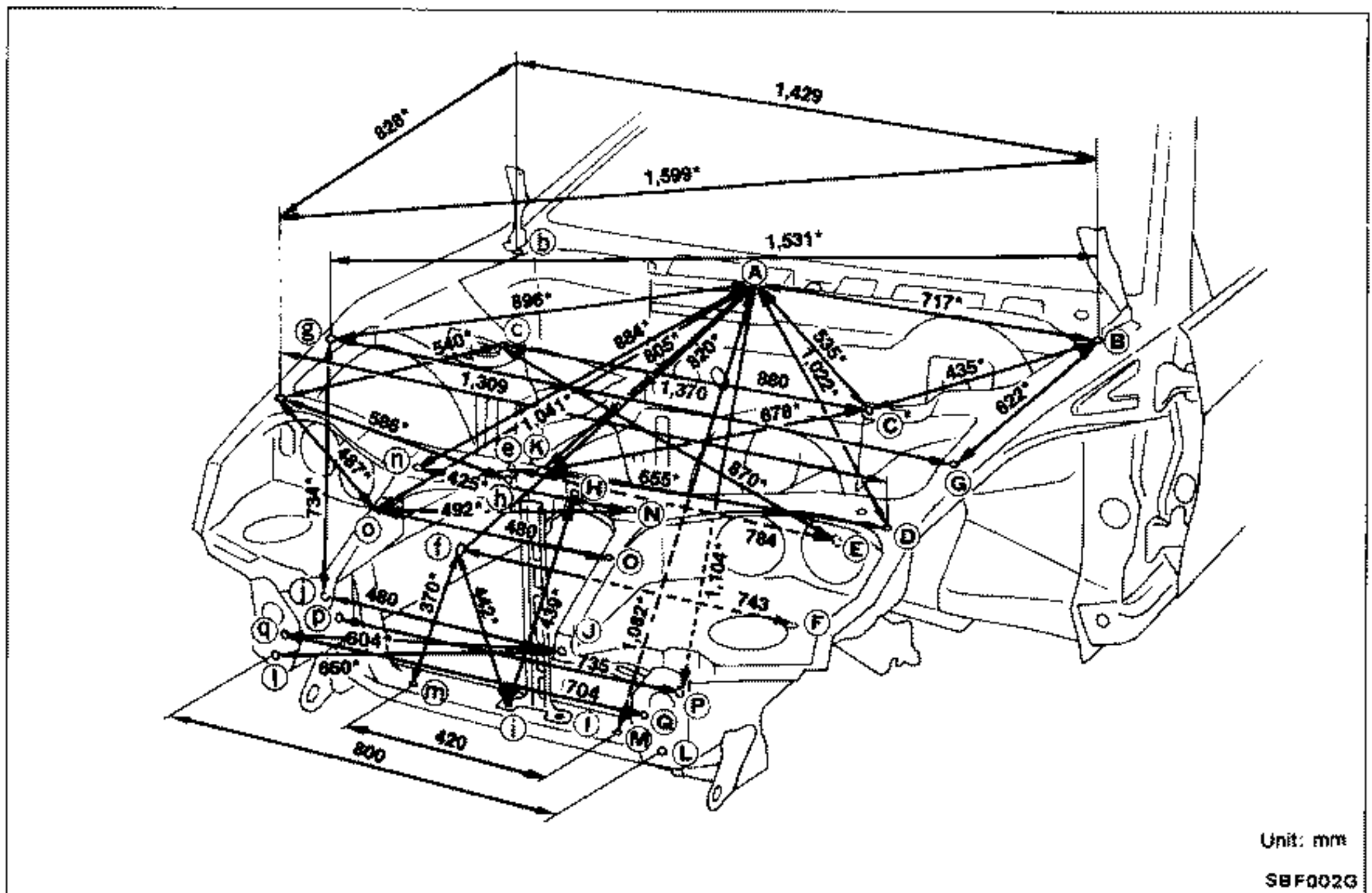
BODY ALIGNMENT

- All dimensions indicated in figures are actual ones.
- When a tram tracking gauge is used, adjust both pointers to equal length and check the pointers and gauge itself to make sure there is no free play.
- When a measuring tape is used, check to be sure there is no elongation, twisting or bending.
- Measurements should be taken at the center of the mounting holes.
- An asterisk (*) following the value at the measuring point indicates that the measuring point on the other side is symmetrically the same value.
- The coordinates of the measurement points are the distances measured from the standard line of "X", "Y" and "Z".



Engine Compartment

MEASUREMENT

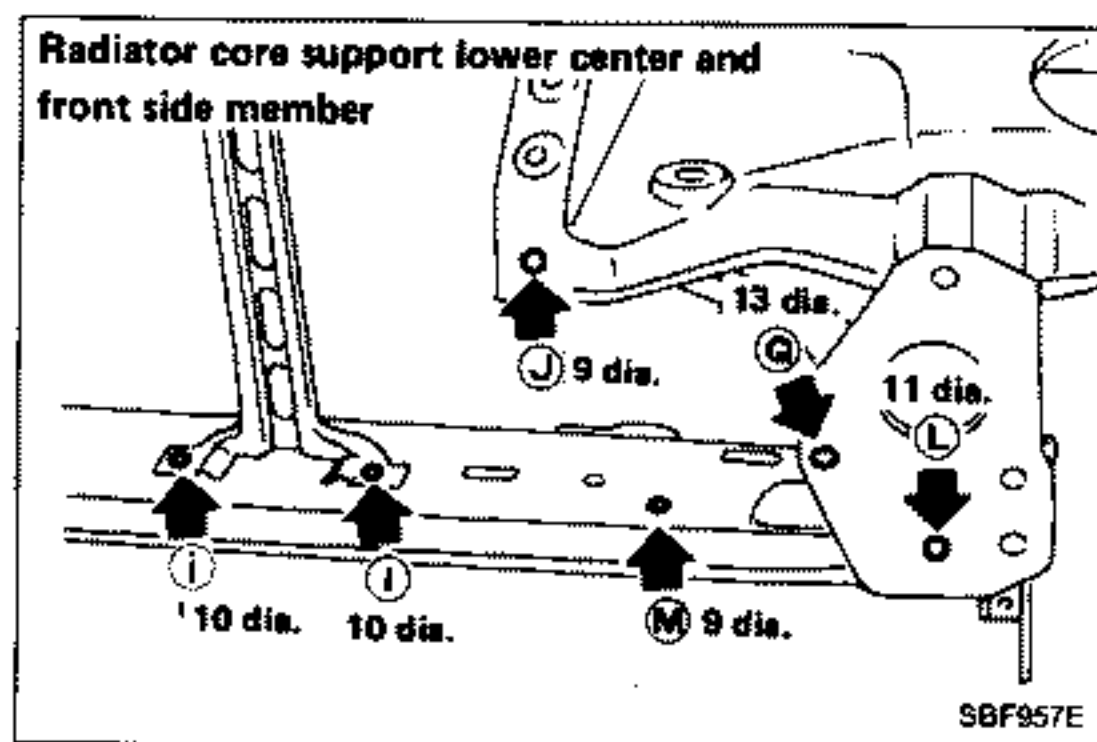
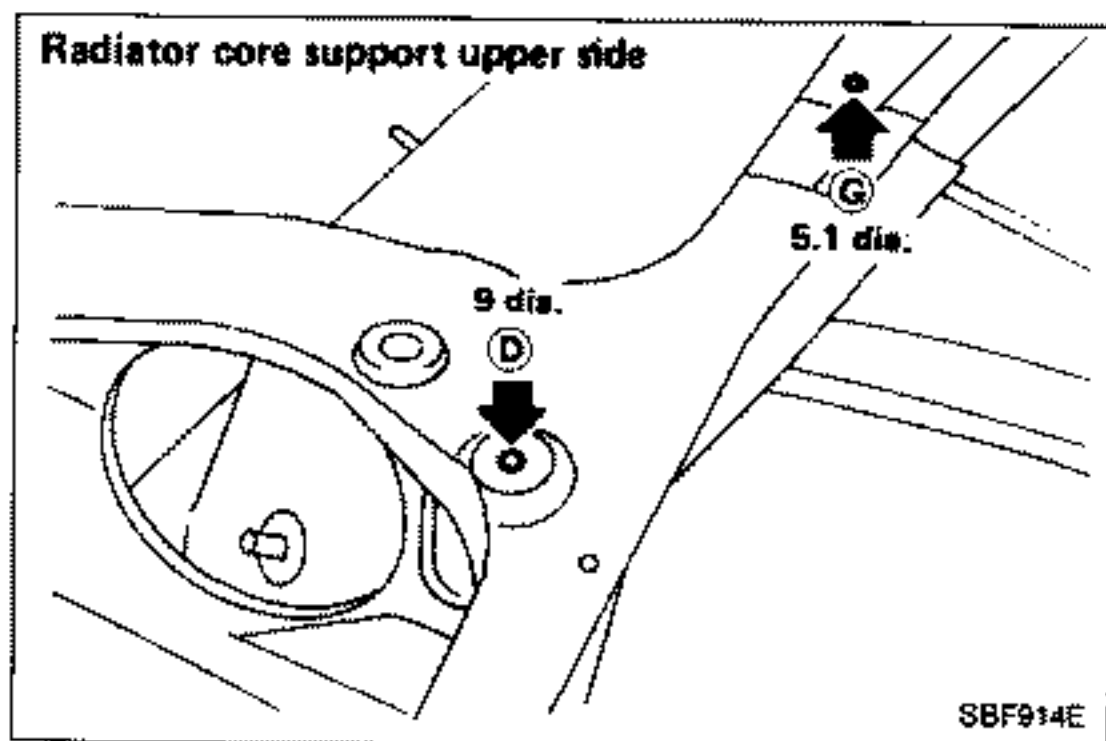
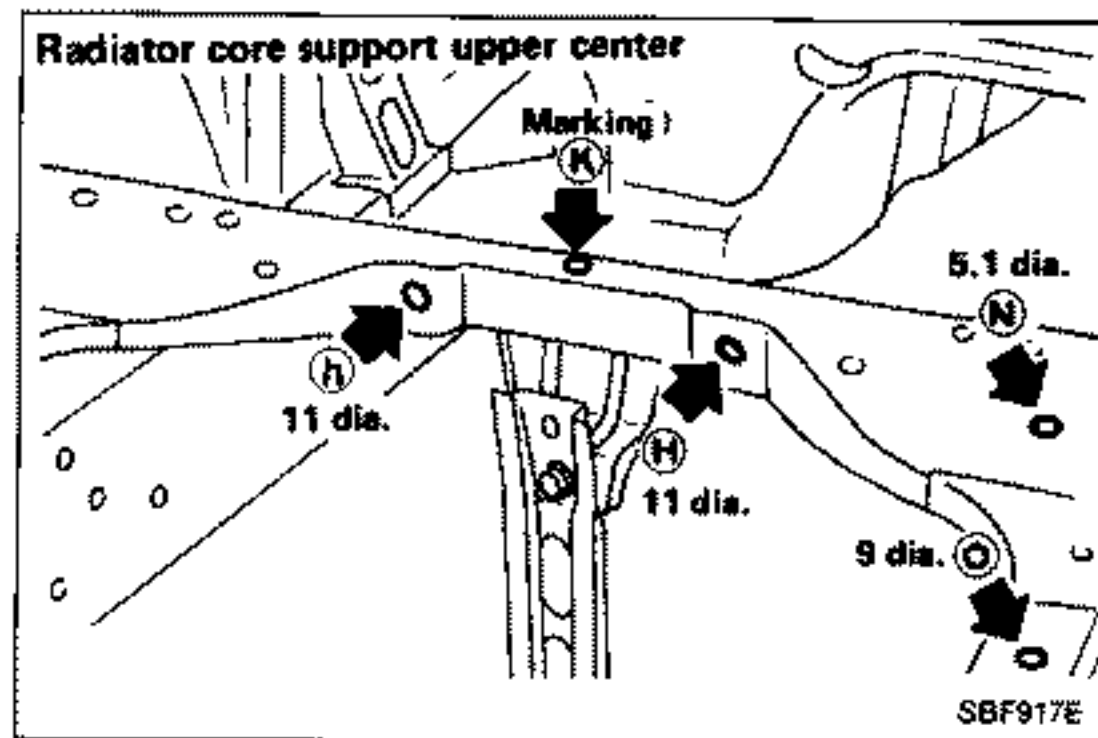
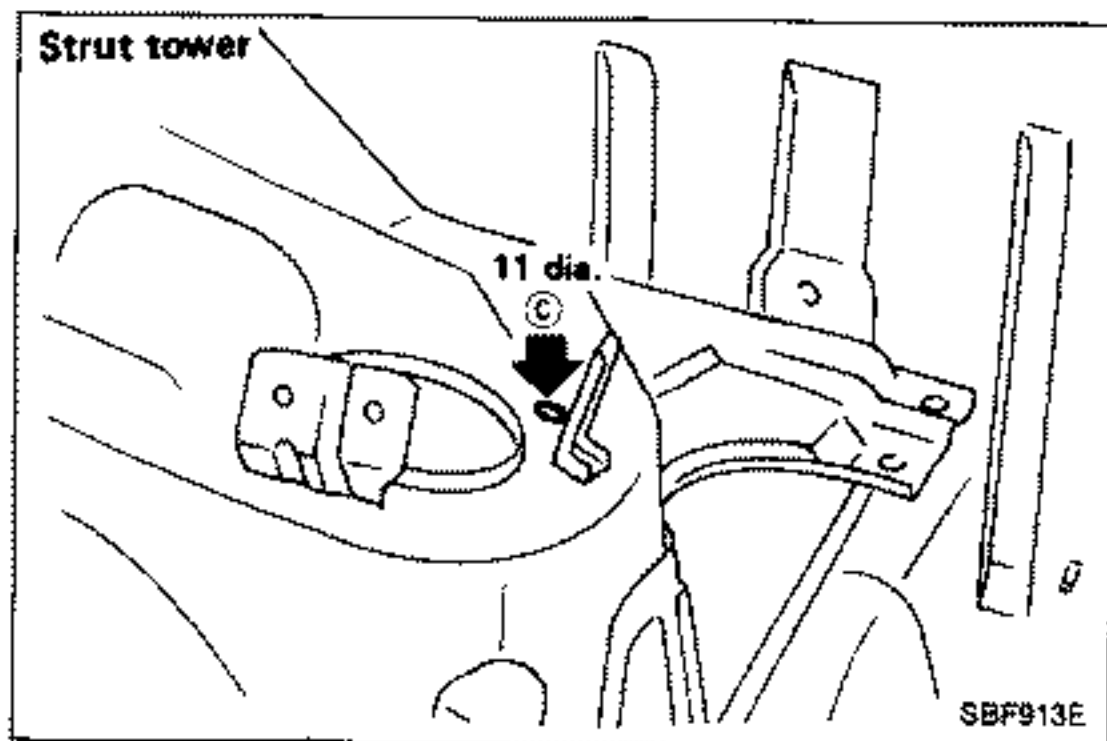
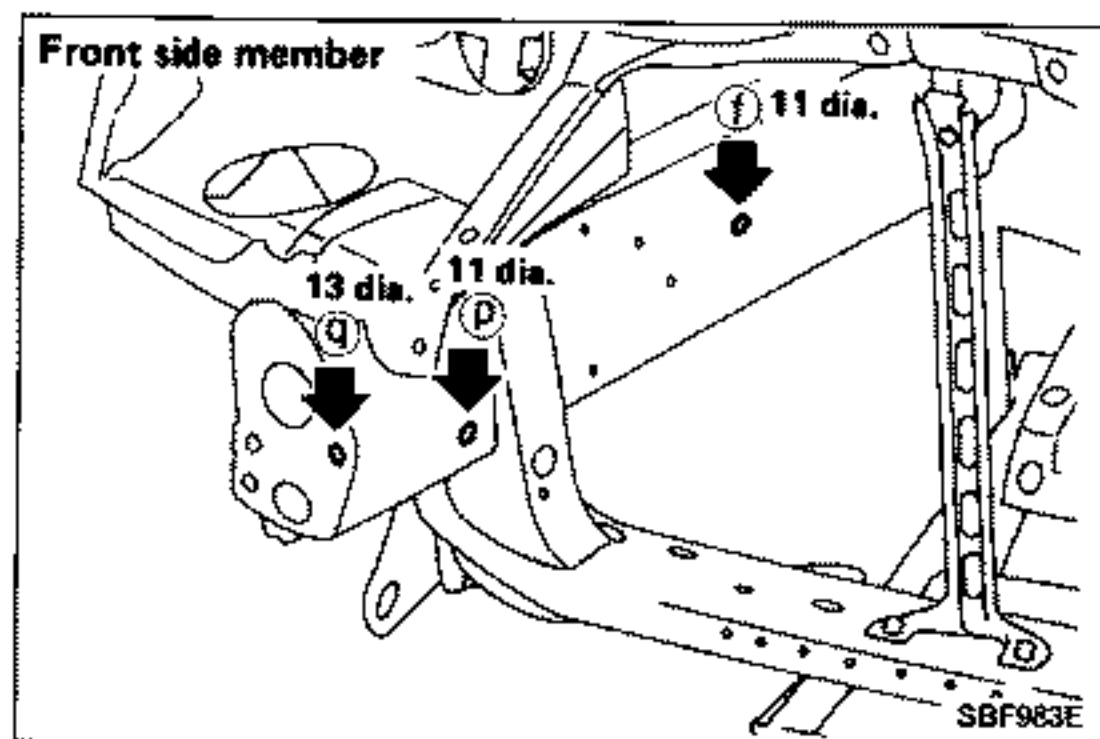
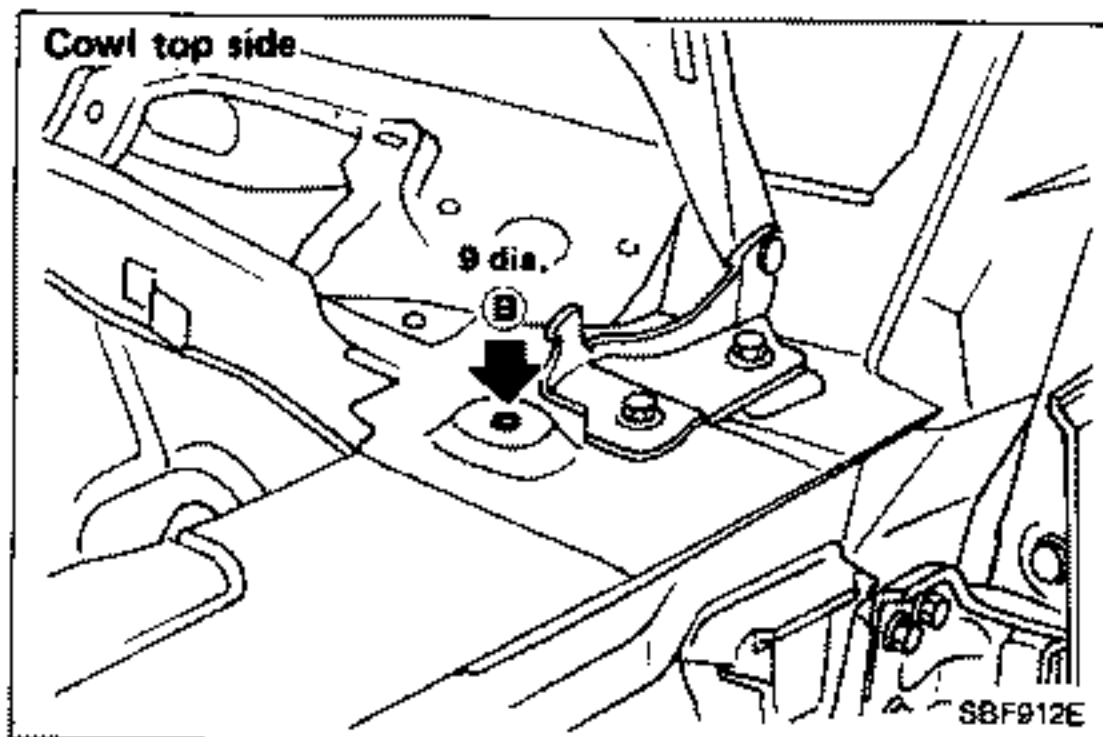
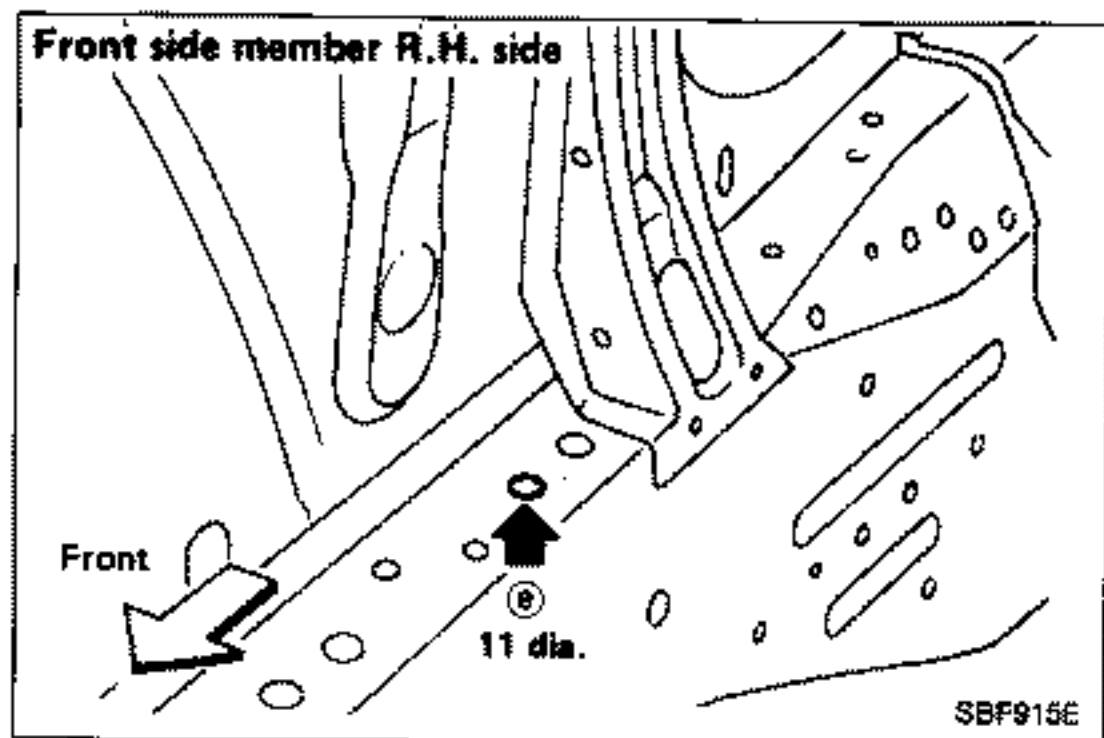
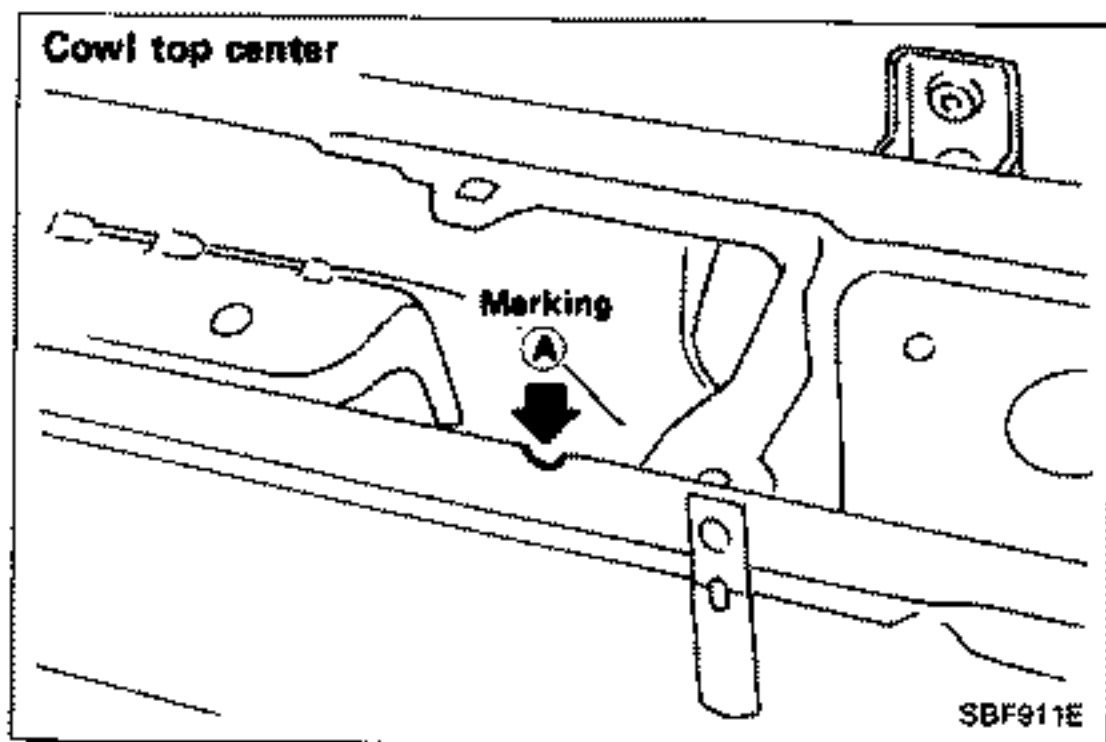


BODY ALIGNMENT

Engine Compartment (Cont'd)

MEASUREMENT POINTS

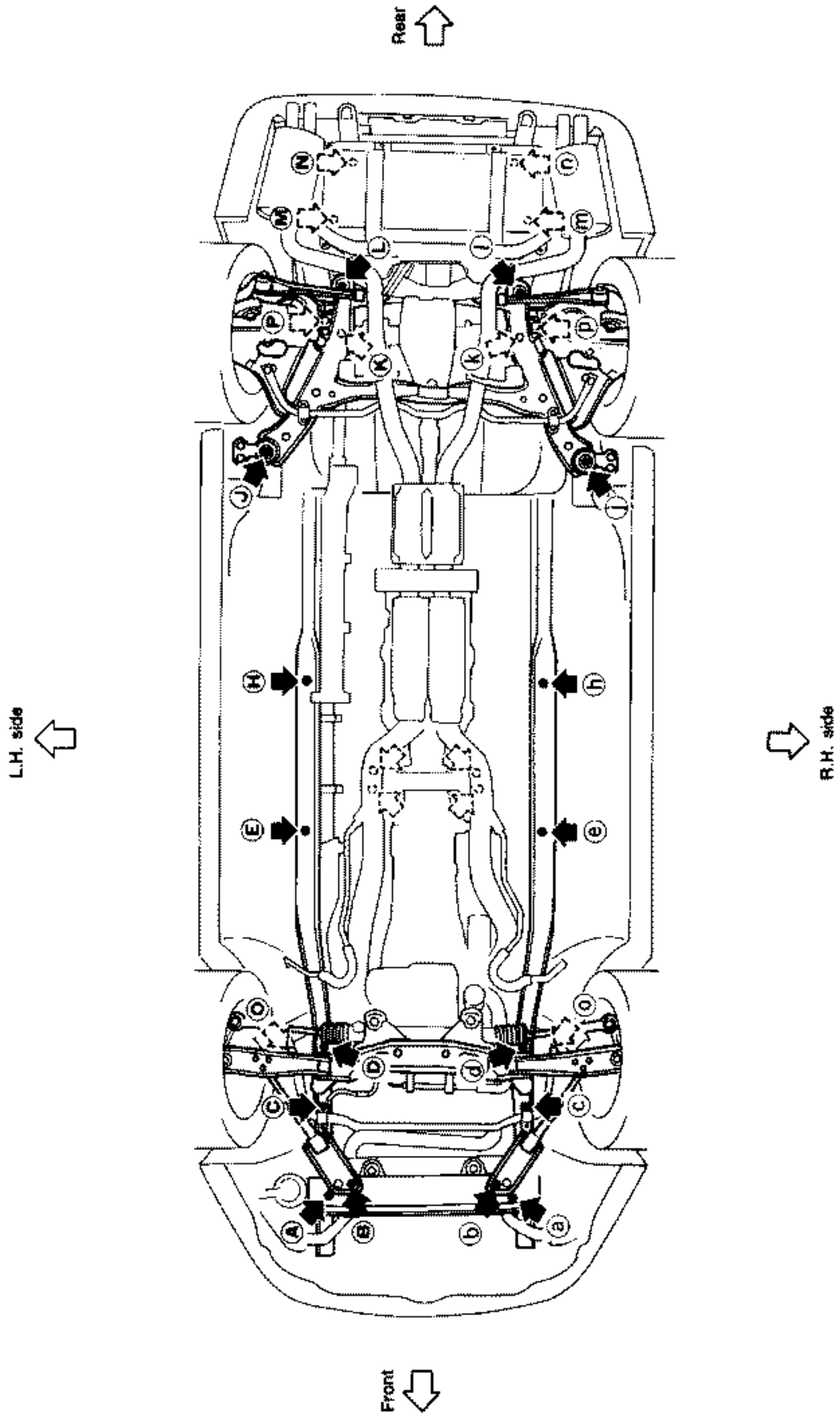
Unit: mm



BODY ALIGNMENT

Underbody (Cont'd)

MEASUREMENT POINTS



BODY ALIGNMENT

Underbody (Cont'd)

Unit: mm

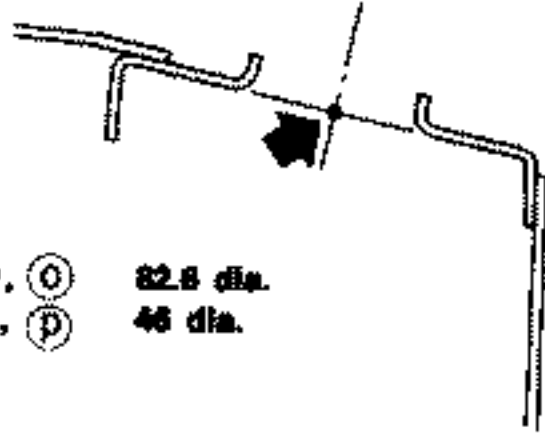
Front and rear strut lower centers

Coordinates:

Ⓞ, Ⓞ
X: 473.4
Y: 52.3
Z: 727.2

Ⓟ, Ⓟ
X: 477.9
Y: 2,609.3
Z: 727.8

Front: Ⓞ, Ⓞ 82.8 dia.
Rear: Ⓟ, Ⓟ 46 dia.



SBF565FA

Rear side member and rear extension

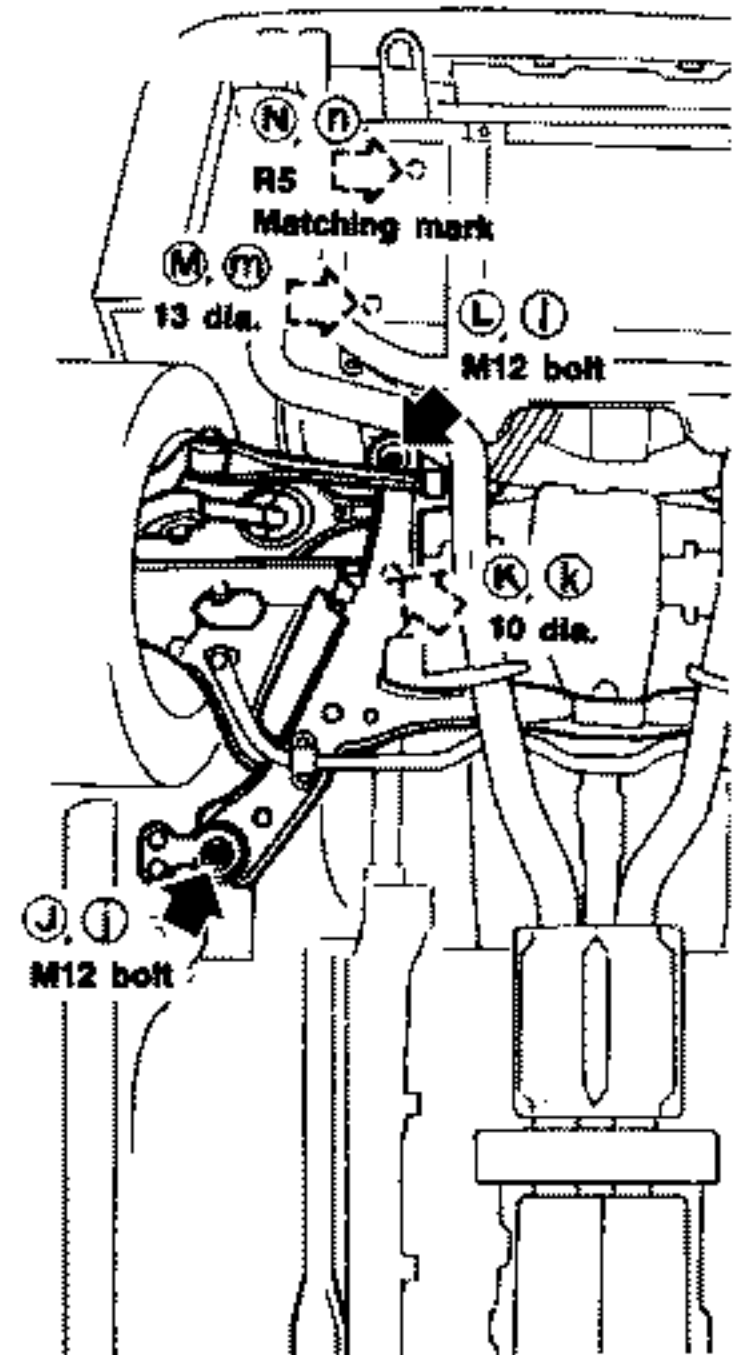
Ⓧ, Ⓧ
X: 575
Y: 2,150
Z: 180.7

Ⓚ, Ⓚ
X: 385
Y: 2,625
Z: 259.6

Ⓛ, Ⓛ
X: 348
Y: 2,740
Z: 334.3

Ⓜ, Ⓜ
X: 418.5
Y: 3,000
Z: 469.8

Ⓝ, Ⓝ
X: 378
Y: 3,290
Z: 530



SBF567F

Front side member and front extension

Coordinates:

Ⓐ, Ⓐ
X: 315
Y: -460
Z: 205.1

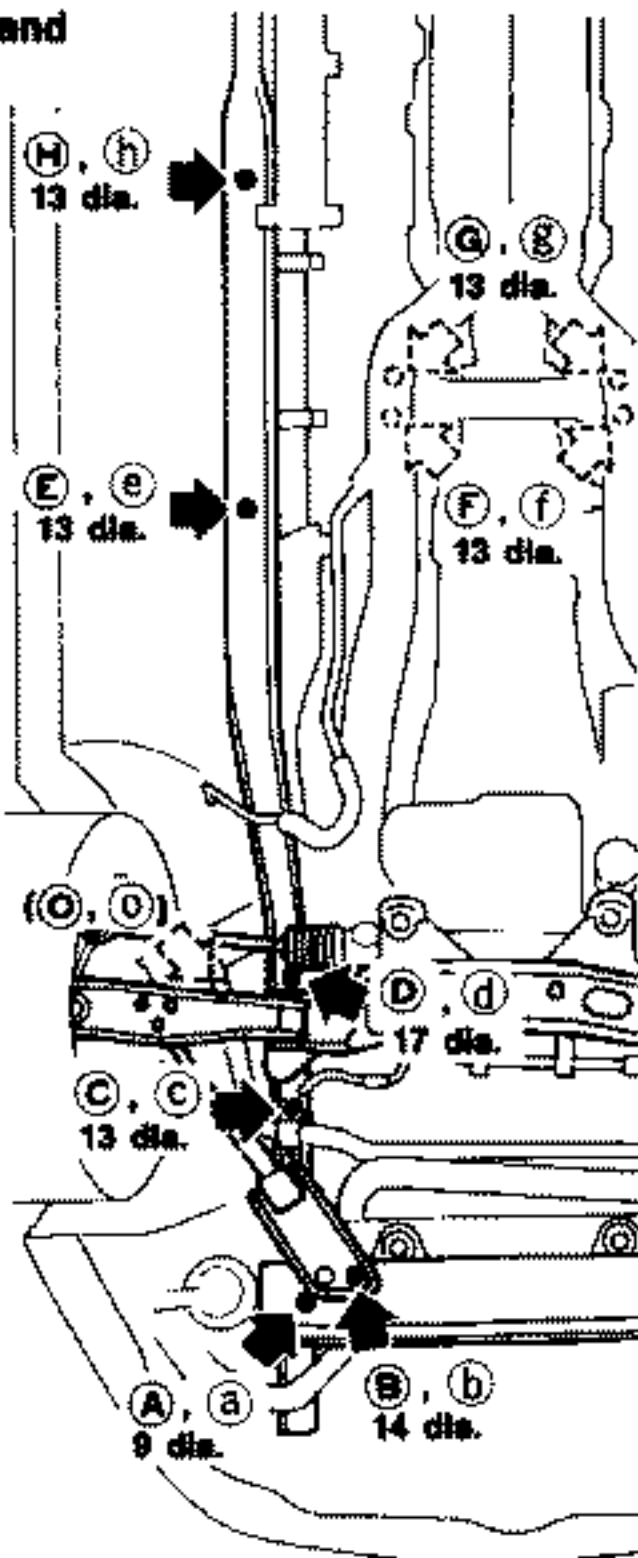
Ⓑ, Ⓑ
X: 255.8
Y: -431
Z: 205.1

Ⓒ, Ⓒ Ⓕ
X: 394 X: 171
Y: -170 Y: 917
Z: 330 Z: 249

Ⓓ, Ⓓ Ⓖ
X: 388 X: 161
Y: -22 Y: 977
Z: 330 Z: 249

Ⓔ, Ⓔ Ⓖ
X: 408.2 X: 171
Y: 750 Y: 977
Z: 152.6 Z: 249

Ⓕ, Ⓕ Ⓗ, Ⓗ
X: 161 X: 408.2
Y: 917 Y: 1,250
Z: 249 Z: 152.6



SBF126H