

# SERVICE MANUAL

DATSUN 280Z  
MODEL S30 SERIES



## SECTION FA

# FRONT AXLE & FRONT SUSPENSION

FA

DESCRIPTION .....	FA- 2
INSPECTION AND ADJUSTMENT .....	FA- 3
FRONT AXLE .....	FA- 5
FRONT SUSPENSION .....	FA- 7
SERVICE DATA AND SPECIFICATIONS .....	FA-13
TROUBLE DIAGNOSES AND CORRECTIONS .....	FA-16
SPECIAL SERVICE TOOLS .....	FA-19

NISSAN

NISSAN MOTOR CO., LTD.  
TOKYO, JAPAN

## DESCRIPTION

All models employ a strut type front suspension in which the shock absorber and spindle are assembled into a single unit. It is supported by a coil spring at the top and by the transverse link at the bottom.

The spindle and outer casing are of an integral design. The ball joint, located at the outer end of the transverse link, serves as a pivot for the movement of the spindle.

These are assembled on the suspension member through a rubber bushing

to avoid metal to metal contact.

The shock absorber is basically a double-acting hydraulic ram consisting mainly of an outer casing, an inner casing, a piston and a piston rod.

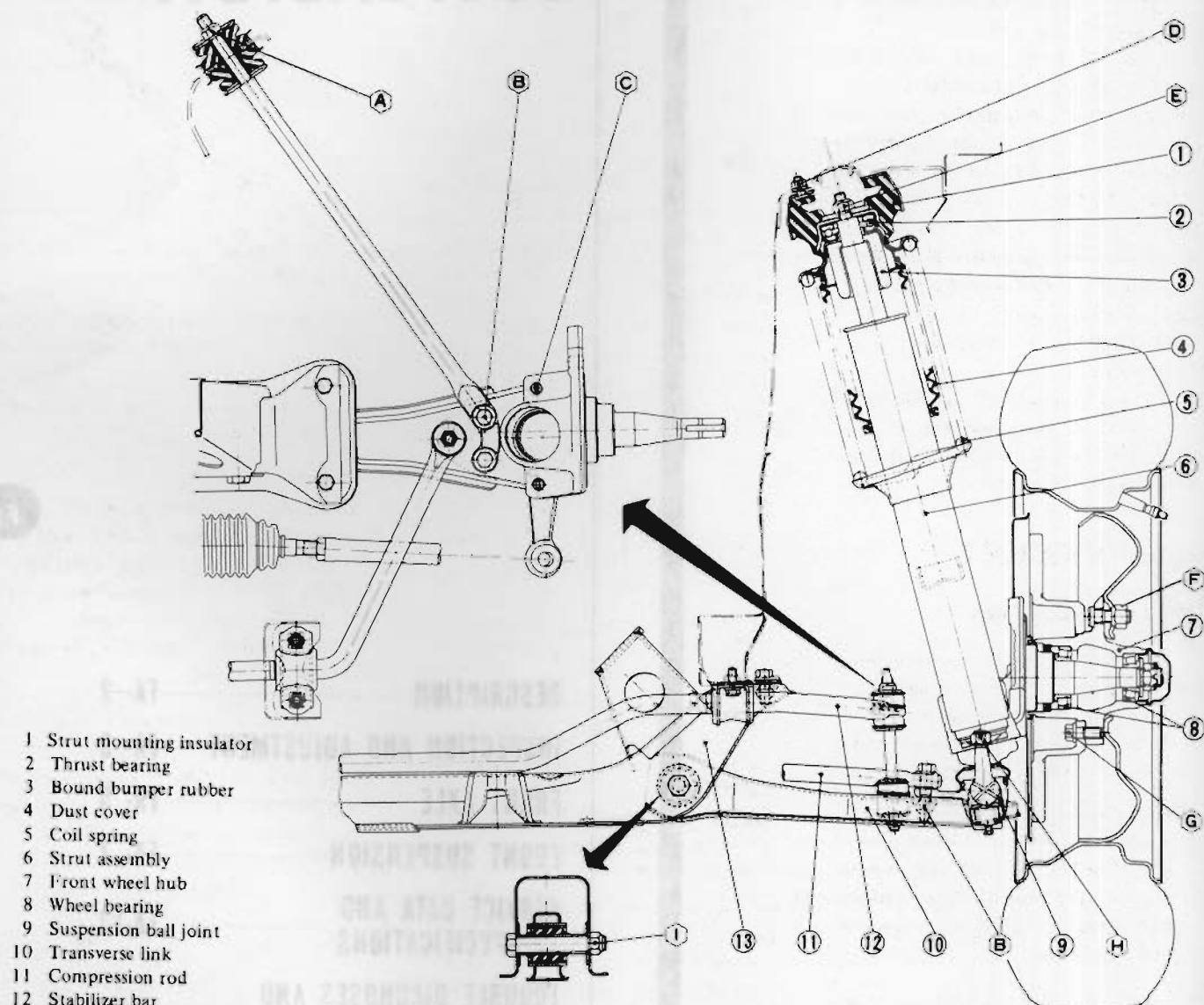
The gland packing and piston guide keep the rod in place and prevent leakage, and dust cover keeps out mud and water.

The coil spring is placed on the piston rod with its seat on the bottom.

The seat is welded to the outer casing. These are mounted on the

hood ledge through the thrust bearing at the top. The transverse link, compression rod and rubber bushing take thrusts from front and rear.

The stabilizer uses a torsion bar; it takes thrusts from either side of the car. Thus, the entire suspension handles thrusts from any angle: i.e. those from front and rear by the compression rod, those in a vertical direction with the strut, and those from either side of the car by means of the transverse link.



- 1 Strut mounting insulator
- 2 Thrust bearing
- 3 Bound bumper rubber
- 4 Dust cover
- 5 Coil spring
- 6 Strut assembly
- 7 Front wheel hub
- 8 Wheel bearing
- 9 Suspension ball joint
- 10 Transverse link
- 11 Compression rod
- 12 Stabilizer bar
- 13 Front suspension member

Tightening torque (T) of bolts and nuts kg-m (ft-lb)

- A T: 4.5 to 5.5 (33 to 40)
- B T: 6.1 to 7.1 (44 to 51)
- C T: 7.3 to 10.0 (53 to 72)

- D T: 2.5 to 3.5 (18 to 25)
- E T: 7.5 to 9.5 (54 to 69)
- F T: Steel wheel  
8 to 9 (58 to 65)  
Aluminum wheel  
8 to 10 (58 to 72)

- G T: 3.9 to 5.3 (28 to 38)
- H T: 5.5 to 7.5 (40 to 54)
- I T: 11.1 to 14.0 (80 to 101)

FA455

Fig. FA-1 Front axle and suspension assembly

# INSPECTION AND ADJUSTMENT

## CONTENTS

INSPECTION .....	FA-3	WHEEL BEARING .....	FA-3
SUSPENSION PARTS .....	FA-3	WHEEL ALIGNMENT .....	FA-4
ADJUSTMENT .....	FA-3	CAR LEVEL .....	FA-4

## INSPECTION

Periodically inspect in accordance with the specified maintenance schedule.

## SUSPENSION PARTS

1. Jack up the front of car until front wheels clear the floor.
2. Shaking each front wheel by grasping the upper and lower surfaces of tire, check suspension parts for looseness, wear, or damage. Tighten all loose bolts and nuts to the specified torque. Replace all worn parts as described under "Front Suspension".
3. Check wheel bearings. If any axial end-play is present, adjust bearings to specifications. Replace worn or damaged bearings as described under "Front Axle".
4. Check shock absorbers assembled into strut. If these are not in good condition, car posture and wheel alignment may be affected.

## ADJUSTMENT

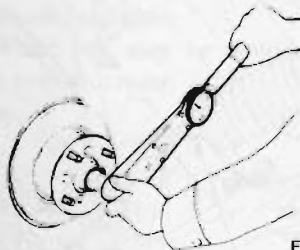
### WHEEL BEARING

Improper adjustment of wheel bearings causes abnormal wear and score on the bearings and knuckle spindle.

To obtain proper preload on wheel bearings, proceed as follows:

**Note:** In order to assure correct bearing preload and to extend service life of wheel bearings, be sure to prevent dirt and foreign particles from getting in bearings, grease seal and spindle nut.

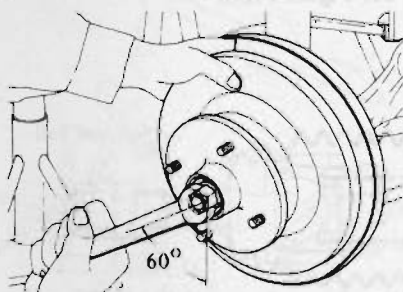
1. Jack up and support car with stands. See the section GI.
2. Remove pad. Refer to section BR for "Pad Replacement".
3. Tighten wheel bearing lock nut to 2.5 to 3.0 kg-m (18 to 22 ft-lb) torque. See Figure FA-2.



FA263

Fig. FA-2 Tightening wheel bearing lock nut

4. Rotate wheel hub a few turns in both directions to seat wheel bearing correctly. Then, retighten spindle nut to the above torque.
5. Loosen wheel bearing lock nut 60 degrees. Install adjusting cap and align groove of nut with hole in spindle. If groove does not align with hole, relocate adjusting cap. If the hole and groove still do not come into alignment, loosen wheel bearing lock nut as much as 15 degrees more.



FA456

Fig. FA-3 Loosen wheel bearing lock nut 60°

### CAUTION:

**Do not overtighten wheel bearing nuts, as this can cause wheel bearing seizure.**

6. Again spin wheel hub several turns in both directions to see if it rotates freely. Then, measure bearing preload using a spring balance as follows:

### Wheel bearing rotation starting torque:

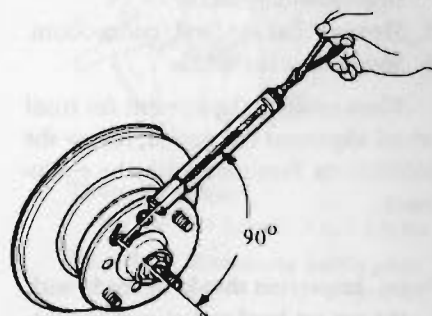
New parts: 4.0 to 8.5 kg-cm  
(3.5 to 7.4 in-lb)

FA-3

As measured at wheel hub bolt:  
0.7 to 1.5 kg (1.5 to 3.3 lb)

Adjustment with old parts:  
1.0 to 4.5 kg-cm  
(0.9 to 3.9 in-lb)

As measured at wheel hub bolt with old parts:  
0.2 to 0.8 kg (0.4 to 1.8 lb)



FA264

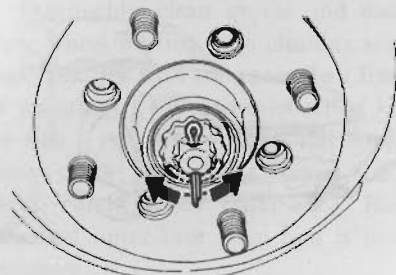
Fig. FA-4 Measuring wheel bearing rotation starting torque

Repeat above procedures until correct preload is obtained.

### Note:

- a. To measure bearing preload, attach a spring balance to hub bolt and pull it at right angle to a line drawn through center of bearing and hub bolt to which it is attached.
- b. The slightest shaft play cannot be tolerated here.

7. Insert a new cotter pin with the legs through adjusting cap and spindle, and spread legs away from each other against sides of adjusting cap to secure the installation. See Figure FA-5.



FA457

Fig. FA-5 Installing cotter pin



8. Install hub cap.

## WHEEL ALIGNMENT

Correct front wheel alignment assures proper vehicle handling characteristics and minimum steering effort with the least amount of tire wear.

Before adjusting front wheel alignment, be sure to carry out a preliminary inspection of the front end parts as follows:

1. Tire pressure
2. Wheel bearings and spindle nuts
3. Steering gear play
4. Steering gear housing (loose at suspension member.).
5. Steering linkage and connections
6. Shock absorber action

When using the equipment for front wheel alignment inspection, follow the instructions furnished with the equipment.

**Note:** Inspection should be made with the car set level and at curb weight.

## Camber and caster

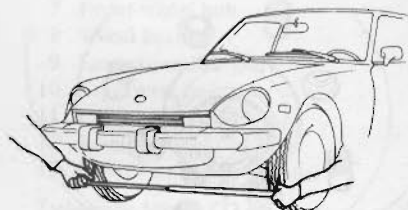
Camber and caster are preset at factory and cannot be adjusted.

Car requires only toe-in and leveling adjustments.

**Note:** If camber or caster alignment is not within specifications, check associated parts. Repair or replace as necessary.

## Toe-in

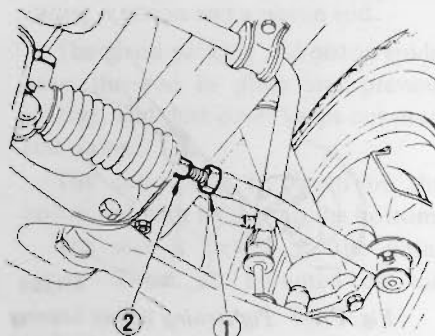
1. Measure toe-in with a toe-in gauge. See Figure FA-6.



FA467

Fig. FA-6 Measuring toe-in

2. Loosen side rod lock nut ①, and adjust length of side rod ② properly to the standard value. See Figure FA-7.



FA452

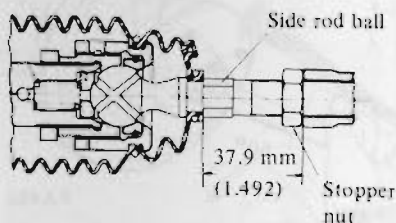
Fig. FA-7 Adjusting toe-in

**Note:**

- a. Distance between centers of side rods at any point should be equal.

Standard length of side rod:  
37.9 mm (1.492 in)

See Figure FA-8.

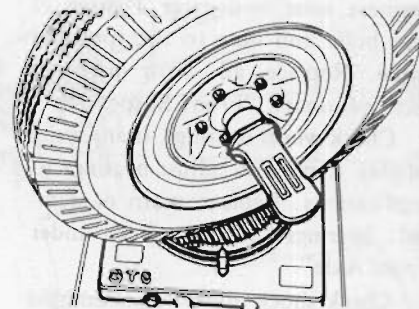


ST447

Tightening torque:  
8 to 10 kg-m (58 to 72 ft-lb)

Fig. FA-8 Standard length of side rod

- b. When steering gear housing is removed, be sure to adjust the steering angle at side rod unit with a turning radius gauge after installation.
- c. Adjust toe-in after steering angle adjustment.
- d. When adjusting toe-in, be sure to move the left and right side rods equally.
- e. When steering angle is incorrect, disassemble rack and pinion because incorrectly assembled rack and pinion cause improper steering angle.
- f. Side rod lock nut end surface comes into contact with steering gear housing end forming a steering stopper.



FA032

Fig. FA-9 Measuring steering angle, camber and caster

## CAR LEVEL

Adjustment can be made by selecting spring which will keep car in a normal, level position.

		S30	GS30 (2 + 2 seater)
Toe-in	mm (in)	0 to 3 (0 to 0.12)	0 to 3 (0 to 0.12)

# FRONT AXLE

## CONTENTS

FRONT AXLE	FA-5	INSPECTION	FA-5
REMOVAL	FA-5	INSTALLATION	FA-6

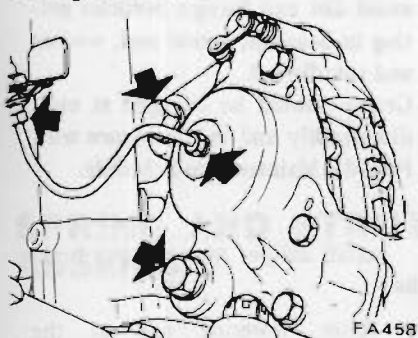
## FRONT AXLE

### REMOVAL

1. Jack up car until wheel drops to full down position.

Remove wheels and disconnect brake tube. See Figure FA-10.

2. Remove bolts retaining brake caliper and take out caliper assembly. See Figure FA-10.



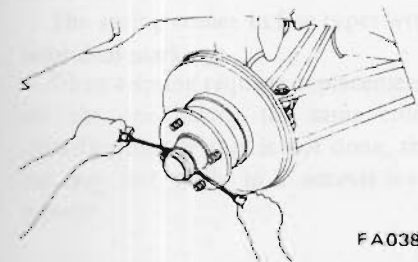
FA458

Tightening torque:

- Brake tube flare nut  
1.5 to 1.8 kg-m (11 to 13 ft-lb)
- Caliper fixing bolt  
7.3 to 9.9 kg-m (53 to 72 ft-lb)

Fig. FA-10 Removing brake tube and caliper fixing bolts

3. Work off hub cap from end of spindle using two screwdrivers or any other suitable tool as shown in Figure FA-11. If necessary, tap around it with a soft hammer while removing cap.



FA038

Fig. FA-11 Removing hub cap

**Note:** During this operation, use caution to avoid damaging O-ring.

4. Pry off cotter pin; take out adjusting cap and wheel bearing lock nut.

5. Remove wheel hub from spindle with bearing installed.

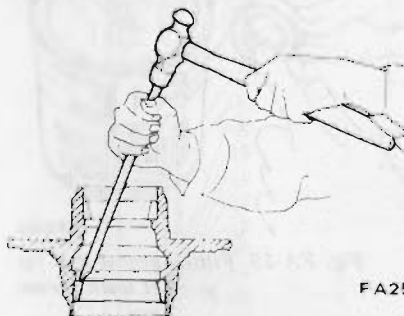
6. Wheel hub may be removed together with disc rotor.



FA459

Fig. FA-12 Removing wheel hub

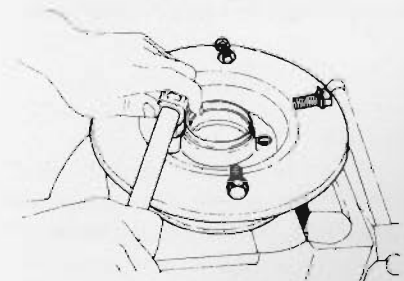
7. Utilizing two grooves inside hub, drive out wheel bearing outer race from hub with a brass drift.



FA259

Fig. FA-13 Removing wheel bearing outer race

8. Loosen four bolts securing brake disc in position; remove disc brake rotor from wheel hub assembly.



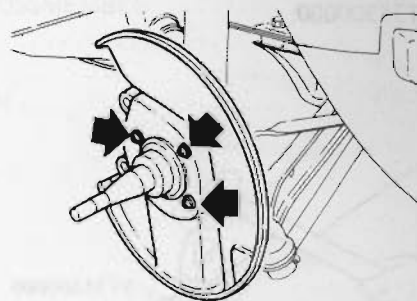
FA260

Fig. FA-14 Removing disc brake rotor

Tightening torque:

- 3.9 to 5.3 kg-m (28 to 38 ft-lb)

9. Loosen screws securing baffle plate in position; take out baffle plate.



FA443

Tightening torque:

- 0.32 to 0.44 kg-m (2.3 to 3.2 ft-lb)

Fig. FA-15 Removing baffle plate screws

## INSPECTION

### Wheel hub

Check hub for cracks by means of a magnetic exploration or dyeing test, and replace if cracked.

### Grease seal

Replace grease seal every disassembly even if it appears good.

### Wheel bearing

Thoroughly clean grease and dirt from wheel bearing with cleaning solvent, and dry with compressed air free of moisture. Check wheel bearing to see that it rolls freely and is free from noise, crack, pitting, or wear. Also, check condition of outer race. Removal of outer race from hub is not necessary.

## INSTALLATION

Install front axle in the reverse order of removal, noting the following:

1. Install baffle plate to knuckle spindle, tighten screws to 0.32 to 0.44 kg-m (2.3 to 3.2 ft-lb).
2. Install disc brake rotor to wheel hub, tighten to 3.9 to 5.3 kg-m (28 to 38 ft-lb).
3. Install bearing outer race with Front Wheel Bearing Drift ST35300000.

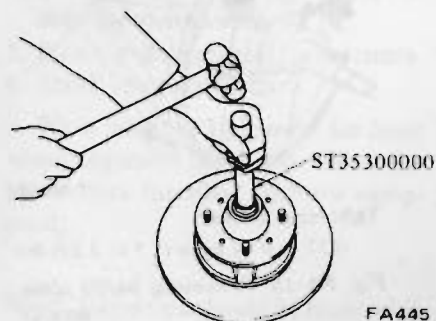


Fig. FA-16 Installing wheel bearing outer race

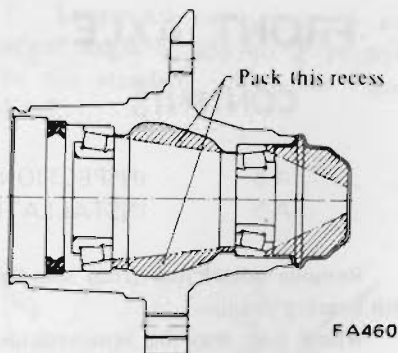


Fig. FA-17 Lubricating points of wheel hub

5. Pack cavities of each bearing cone and grease seal lip pocket with grease.



Fig. FA-18 Filling bearing cone with grease



Fig. FA-19 Filling grease seal lip pocket with grease

4. Pack the inside of hub and hub cap with recommended multi-purpose grease to the specified level. See Figure FA-17.

6. Put inner bearing cone in hub and install a new grease seal. Be sure to lubricate sealing lips of the grease seal before installation.
7. Put hub assembly on spindle and then install outer bearing cone.
8. Apply sparingly grease to washer and threaded parts of spindle and spindle nut. Then, install washer and spindle nut. Adjust the installation as outlined under "Wheel Bearing Adjustment".

### Note:

- a. In order to assure correct bearing preload and to extend service life of wheel bearings, be sure to avoid dirt and foreign particles getting in bearings, grease seal, washer and spindle nut.
- b. Grease should be changed at each disassembly and in accordance with Periodic Maintenance Schedule.

9. Install caliper and connect brake tube.

10. After lowering car to the ground, tighten wheel nut, bleed brake system.

# FRONT SUSPENSION

## CONTENTS

SPRING AND STRUT ASSEMBLY .....	FA- 7	INSTALLATION .....	FA-11
DESCRIPTION .....	FA- 7	TRANSVERSE LINK AND	
REMOVAL .....	FA- 8	LOWER BALL JOINT .....	FA-11
DISASSEMBLY .....	FA- 8	REMOVAL .....	FA-11
INSPECTION .....	FA- 9	INSPECTION .....	FA-12
ASSEMBLY .....	FA- 9	INSTALLATION .....	FA-12
INSTALLATION .....	FA-10	SUSPENSION CROSSMEMBER .....	FA-12
COMPRESSION ROD AND STABILIZER BAR .	FA-11	REMOVAL .....	FA-12
REMOVAL .....	FA-11	INSPECTION .....	FA-13
INSPECTION .....	FA-11	INSTALLATION .....	FA-13

## SPRING AND STRUT ASSEMBLY

### DESCRIPTION

The front suspension employs struts, right and left. Each strut consists of an outer casing, a piston, a piston rod and an inner cylinder.

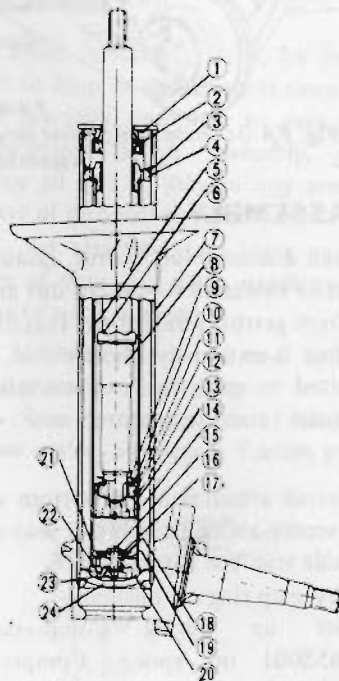
The cylinder incorporates a piston rod guide at the top and a check valve at the bottom.

The piston rod, piston rod guide, cylinder and bottom valve should be handled as a matched set.

If any of these parts becomes faulty, all the parts must be replaced as a unit.

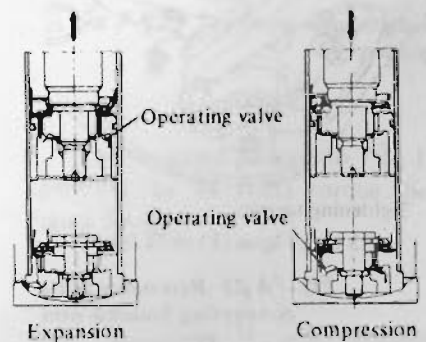
The spring comes in few types with individual markings.

When a spring requires replacement, use the one having the same color identification. If this is not done, the car may not settle in a normal level posture.



- |                               |                       |
|-------------------------------|-----------------------|
| 1 Gland packing assembly      | 12 Piston ring        |
| 2 Oil seal                    | 13 Valve plate        |
| 3 O-ring                      | 14 Piston body        |
| 4 Piston rod guide assembly   | 15 Nut                |
| 5 Cylinder                    | 16 Bolt               |
| 6 Rebound stopper             | 17 Distance collar    |
| 7 Strut-outer casing          | 18 Spring retainer    |
| 8 Piston rod                  | 19 Check valve spring |
| 9 Check valve spring retainer | 20 Bottom valve body  |
| 10 Check valve spring         | 21 Check valve plate  |
| 11 Check valve plate          | 22 Valve plate        |
|                               | 23 Nut                |
|                               | 24 Bottom plate       |

### Shock absorber operation



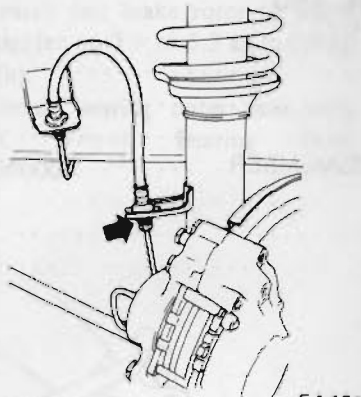
FA268

Fig. FA-20 Sectional view of strut assembly



## REMOVAL

1. Jack up car and support it with safety stands. Remove wheel.
2. Loosen brake tube, remove brake hose locking spring, withdraw plate, and remove brake hose from strut assembly bracket.

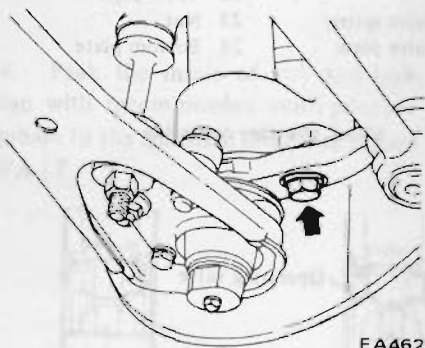


Tightening torque:

1.5 to 1.8 kg-m (11 to 13 ft-lb)

Fig. FA-21 Disconnecting brake hose

3. Loosen bolts retaining caliper in place; take out caliper as an assembled unit.
4. Remove bolts connecting strut to knuckle arm. See Figure FA-22.

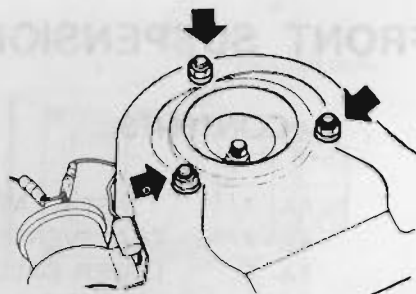


Tightening torque:

7.3 to 9.9 kg-m (53 to 72 ft-lb)

Fig. FA-22 Removing bolts connecting knuckle arm

5. Detach knuckle arm from bottom of strut. This can be done by forcing transverse link down with a suitable bar.
6. Place jack under strut to receive its weight when nuts are removed.
7. Lift engine hood to gain access to nuts holding strut in place on car body. See Figure FA-23.



Tightening torque:

2.5 to 3.5 kg-m (18 to 25 ft-lb)

Fig. FA-23

8. With springs attached, lower jack slowly while holding strut by hand; take out strut.

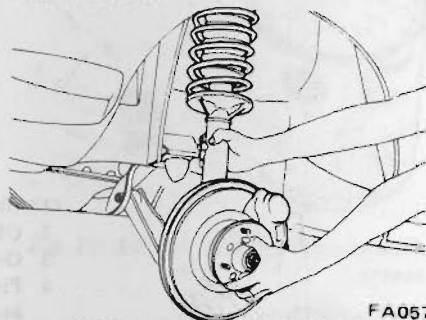


Fig. FA-24 Removing front strut Assembly

## DISASSEMBLY

When disassembling a strut, caution should be exercised to prevent dirt and dust from getting inside strut. This dirt and dust is extremely abrasive and, if permitted to enter strut, causes internal leaks and premature wear of moving parts.

1. Install attachment on bottom of strut; secure above assembly in jaws of a suitable vise. See Figure FA-26.
2. Pry snap ring off dust cover.
3. Set up Spring Compressor ST3565S001 on spring. Compress spring just far enough to permit turning of strut insulator by hand. Remove self-locking nut. See Figure FA-25.

## CAUTION:

Be sure to hook special tool (ST35651001) evenly on a minimum of three coils, paying attention not to damage piston rod.

Note: When loosening self-locking nut, use a screwdriver as a shifter. Moreover, when loosening self-

locking nut (used to hold down spring), install a nut on bolt (used to install strut on the body) and apply screwdriver to nut so that the thread of bolt is not damaged.

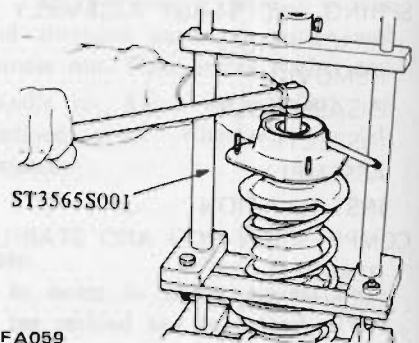


Fig. FA-25 Removing self-locking nut

4. Take out strut insulator, strut bearing, oil seal, upper spring seat and bound bumper rubber in the order listed.
5. Remove spring from strut with Spring Compressor ST3565S001 left on spring.
6. Retract piston rod by pushing it down until it bottoms. Without disturbing the above setting, remove gland packing with Gland Packing Wrench KV40100800. See Figure FA-26.

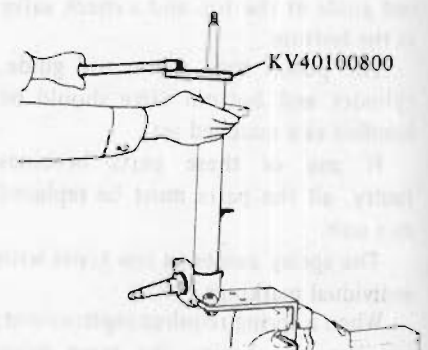
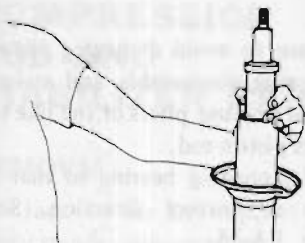


Fig. FA-26 Removing gland packing

Note: Clean gland packing of mud and other accumulated foreign particles.

7. Remove O-ring from top of piston rod guide.
8. Lift out piston rod together with cylinder. See Figure FA-27.





FA275

Fig. FA-27 Removing piston rod and cylinder

Note: Under no circumstances should piston and piston rod guide be removed from cylinder since these are adjusted to each other to provide precision mating surfaces and should be handled as a matched set.

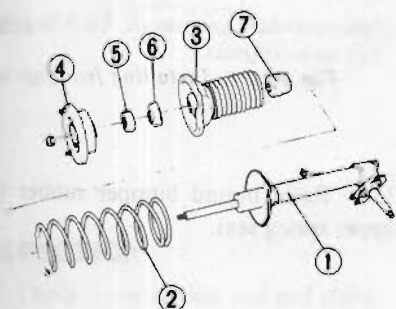
9. Drain fluid thoroughly from inner cylinder. Use a suitable container to receive fluid drained.

10. Wash all parts in cleaning solvent.

11. Drain fluid which collects inside outer casing thoroughly.

Note: This operation is very important since performance of strut varies with amount of fluid initially filled.

## INSPECTION



FA463

- |                            |                       |
|----------------------------|-----------------------|
| 1 Strut assembly           | 5 Thrust bearing      |
| 2 Coil spring              | 6 Dust seal           |
| 3 Spring upper seat        | 7 Bound bumper rubber |
| 4 Strut mounting insulator |                       |

Fig. FA-28 Exploded view of strut assembly

1. Replace gland packing, O-ring and fluid with new ones or fresh oil whenever strut is disassembled.

2. Wash all parts, except for non-metallic parts, with solvent and dry with compressed air.

3. Blow dirt and dust off of non-metallic parts using compressed air.

### ● Outer casing

Check outer casing for evidence of deformation, cracking or other damage. If necessary, replace.

### ● Spindle

Check spindle for hair cracks on base and damaged threads. Replace strut if any of above conditions exceed limits.

### ● Strut mounting insulator

Replace if rubber and metal joints are melted or cracked. Rubber parts should be replaced if deteriorated.

### ● Thrust bearing

Replace if inspection reveals abnormal noise or excessive rattle in axial direction.

### ● Front coil spring

Replace if weakened or cracked.

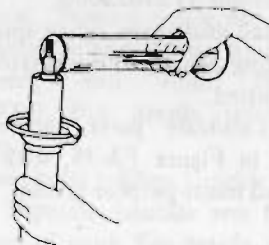
## ASSEMBLY

When assembling strut, be careful not to drop or scratch parts since they are precisely machined to very close tolerances. Before assembly, clean away all dirt to prevent any possible entry of dirt into strut.

1. Set attachment in place on bottom of strut and place attachment in jaws of a suitable vise.

2. Install piston rod and cylinder into place in outer casing.

3. Pour correct amount of fluid into outer casing. See Figure FA-29.



FA330

Fig. FA-29 Filling outer casing with fluid

### Note:

a. It is important that correct amount of fluid be poured into strut to assure correct damping force of shock absorber.

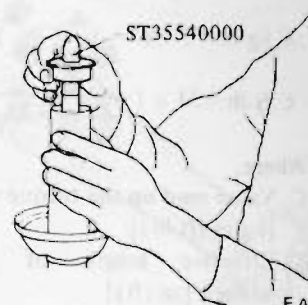
Amount of oil:

340 cc (20.7 cu in)

b. Use Nissan genuine shock absorber oil "NISSAN GENUINE STRUT OIL" or equivalent.

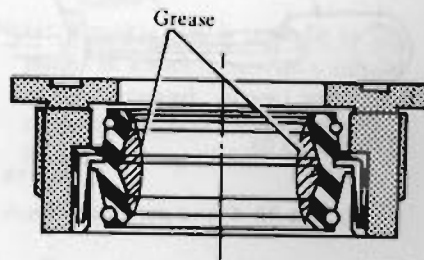
4. Place rod guide on top of piston rod guide; install gland packing using Gland Packing Guide ST35540000. See Figure FA-30.

Lubricate sealing lip, asterisked in Figure FA-31, with recommended multi-purpose grease.



FA276

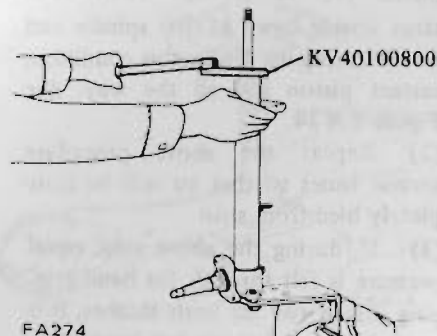
Fig. FA-30 Installing gland packing



FA464

Fig. FA-31 Sectional view of gland packing

5. Tighten gland packing to 7 to 13 kg-m (51 to 94 ft-lb) torque. See Figure FA-32.



FA274

Fig. FA-32 Tightening gland packing

**Note:**

- a. When tightening gland packing, it is important that piston rod be extended approximately 120 mm (4.72 in) from end of outer casing to expel most of air out of strut.
- b. Gland packing should be tightened to 7.0 to 13.0 kg-m (51 to 94 ft-lb) torque with the aid of Gland Packing Wrench KV40100800. When doing so, the amount of torque to be read beneath wrench needle should be modified according to the following formula:

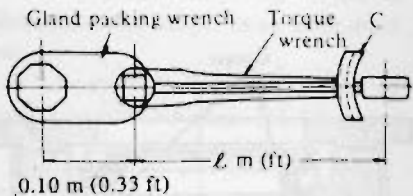
$$C \text{ kg-m} = 7 \times \left( \frac{l}{l + 0.10} \right) \text{ or}$$

$$C \text{ ft-lb} = 51 \times \left( \frac{l}{l + 0.33} \right)$$

Where,

C..Value read on the torque wrench [kg-m (ft-lb)]

l..Effective length of torque wrench [m (ft)]



FA278

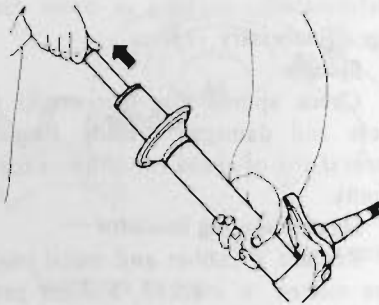
Fig. FA-33 Gland packing wrench

6. After the above steps have been completed, air should be removed from shock absorber system in the following manner.

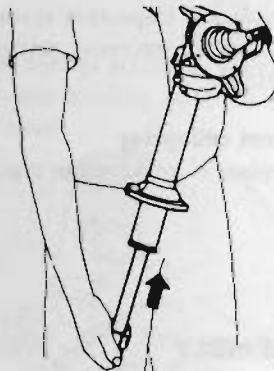
(1) Hold strut by hand with its spindle end facing down; without disturbing the above setting, pull out piston rod completely. Then, turn strut upside down so that spindle end is now facing up. Under this condition, retract piston rod all the way. See Figure FA-34.

(2) Repeat the above procedure several times so that air will be completely bled from strut.

(3) If, during the above step, equal pressure is felt through the hand gripping piston rod on both strokes, it is an indication that air has been completely expelled from strut.



FA279



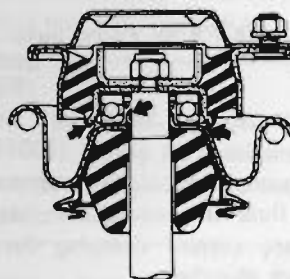
FA280

Fig. FA-34 Bleeding air from strut

7. Place attachment in jaws of a vise.
8. Before proceeding any further, pull piston rod all the way out to the limit of its stroke; install bound bumper rubber to prevent piston rod from falling by its own weight.
9. Place front spring on lower spring seat and compress spring with Spring Compressor ST3565S000.

Install dust cover, upper spring seat, mounting bearing and insulator in the order listed.

10. Lubricate parts, indicated by arrow in Figure FA-35, with recommended multi-purpose grease.



FA281

Fig. FA-35 Strut mounting bearing greasing point

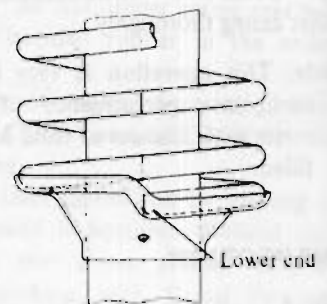
**Note:**

- a. Use care to avoid damaging piston rod during disassembly and assembly. Do not use pliers or the like to extract piston rod.
- b. Install mounting bearing so that it points in correct direction. See Figure FA-35.

11. Tighten piston rod self-locking nut to 7.5 to 9.5 kg-m (54 to 69 ft-lb) torque.

**Note:** Use new self-locking nuts whenever strut assembly is reassembled.

12. After placing spring in position (Figure FA-36) between upper and lower spring seats, release compressor gradually.



FA282

Fig. FA-36 Installing front spring

13. Raise bound bumper rubber to upper spring seat.

## INSTALLATION

Install the strut and spring assembly in the reverse order of removal.

### Tightening torque:

Nuts used to install the strut assembly on the body:

2.5 to 3.5 kg-m  
(18 to 25 ft-lb)

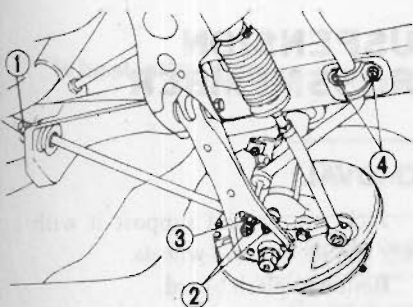
Bolts used to install the knuckle arm to strut:

7.3 to 10.0 kg-m  
(53 to 72 ft-lb)

## COMPRESSION ROD AND STABILIZER BAR

### REMOVAL

1. Jack up car and support it with safety stands; remove wheel.
2. Remove splash board.
3. Back off nut ① securing compression rod to bracket, and remove bolts ② which secure compression rod to transverse link. Compression rod can then be taken out.
4. Remove nut ③ connecting stabilizer connecting rod to transverse link.
5. Take out bolts ④ securing stabilizer bracket in position. Remove stabilizer from car frame. See Figure FA-37.



FA465

Fig. FA-37 Removing stabilizer and compression rod

### INSPECTION

1. Check compression rod and stabilizer for evidence of deformation and cracking; if necessary, replace.
2. Check rubber parts such as compression rod and stabilizer bushings to be sure they are not deteriorated or cracked.

### INSTALLATION

Install compression rod and stabilizer bar in the reverse order of removal, noting the following:

1. Ensure that stabilizer is correctly installed to the portion of the left and right sides.
2. Check to be sure that compression rod bushing is properly centered in its seat.

### Tightening torque:

Nut used to install compression rod on transverse link:

6.1 to 7.1 kg-m  
(44 to 51 ft-lb)

Stabilizer installation bolts

Transverse link side:  
1.2 to 2.7 kg-m  
(9 to 20 ft-lb)

Frame bracket side:  
1.9 to 2.5 kg-m  
(14 to 18 ft-lb)

Connecting rod side:  
1.2 to 2.7 kg-m  
(9 to 20 ft-lb)

## TRANSVERSE LINK AND LOWER BALL JOINT

The transverse link is connected to the suspension member through a rubber bushing and to the strut through a ball joint.

The lower ball joint is assembled at the factory and cannot be disassembled. Lubricate ball joints with recommended multi-purpose grease at specified intervals.

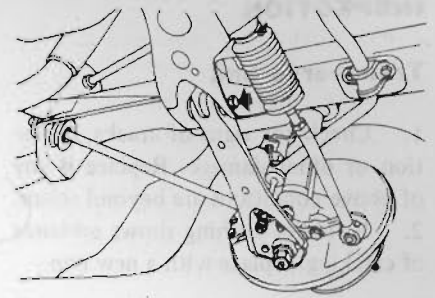
### REMOVAL

1. Jack up car and support it with safety stands; remove wheel.
2. Remove splash board.
3. Pry cotter pin off side rod ball joint socket. Remove castle nut and separate side rod socket from knuckle arm, using Ball Joint Puller HT72520000. For details, refer to ST section.
4. Loosen bolts holding knuckle arm in place. Separate knuckle arm from bottom end of strut. For details, refer to "Spring and Strut Assembly".
5. Remove compression rod and stabilizer bar.

For details, refer to "Compression Rod and Stabilizer Bar" section.

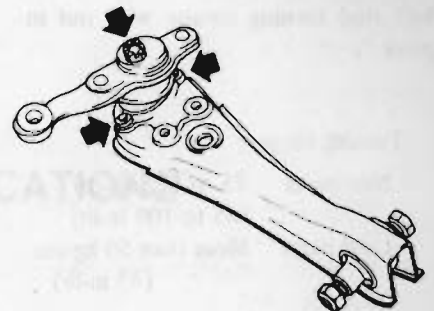
6. Loosen transverse link mounting bar and separate transverse link from suspension member.

Remove transverse link with suspension ball joint and knuckle arm. See Figures FA-38 and FA-39.



FA466

Fig. FA-38 Removing transverse link

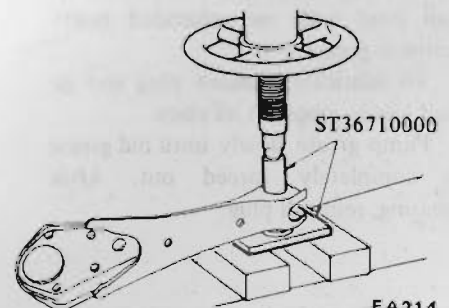


FA448

Fig. FA-39 Removing knuckle arm

**Note:** Knuckle arm is taper-fit to ball joint. If knuckle arm can not be easily removed, screw nut onto threaded portion of ball stud and hammer on top of nut.

7. Place transverse link in a vise, loosen bolt securing ball joint to transverse link and remove ball joint from transverse link.
8. Withdraw transverse link bushing from transverse link using Front Transverse Link Bushing Replacer Set ST36710000 and a press.



FA214

Fig. FA-40 Removing transverse link bushing



## INSPECTION

### Transverse link

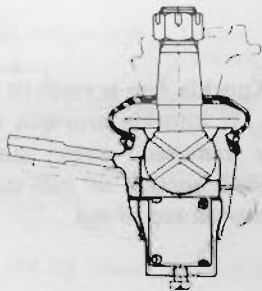
1. Check for signs of cracks, distortion or other damage. Replace if any of above conditions are beyond repair.
2. If rubber bushing shows evidence of cracking, replace with a new one.

### Ball joint

1. Ball joint is assembled at factory and cannot be disassembled. Check ball stud turning torque with nut in place.

Turning torque:

New parts	75 to 125 kg-cm (65 to 109 in-lb)
Used parts	More than 50 kg-cm (43 in-lb)



FA217

Fig. FA-21 Sectional view of lower ball joint

2. Check conditional dust cover. If found to be cracked excessively beyond use, replace ball joint with a new one.
3. At specified intervals, lubricate ball joint with recommended multi-purpose grease.

To lubricate, remove plug and install grease nipple in its place.

Pump grease slowly until old grease is completely forced out. After greasing, reinstall plug.

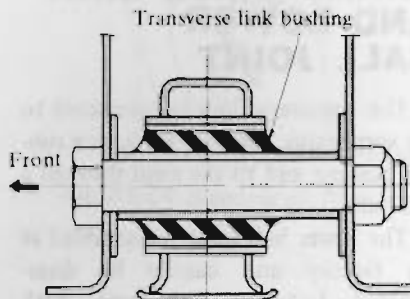
**Note:** When a high-pressure grease gun is used, operate the grease gun carefully so that grease is injected

slowly and new grease does not come out from the clamp portion.

## INSTALLATION

Install transverse link and lower ball joint in reverse sequence of removal, noting the following:

1. When installing transverse link bushing, use the special tool ST36710000, and fit it until transverse link bushing outer tube end surface is made flush with the transverse link end surface. Carefully align bushing direction correctly (front and rear). See Figure FA-42.



FA447

Fig. FA-42 Sectional view of transverse link bushing

2. When installing knuckle arm to ball joint, wipe off any grease on the tapered and threaded portions. Tighten nut to 5.5 to 7.5 kg-m (40 to 54 ft-lb) torque.

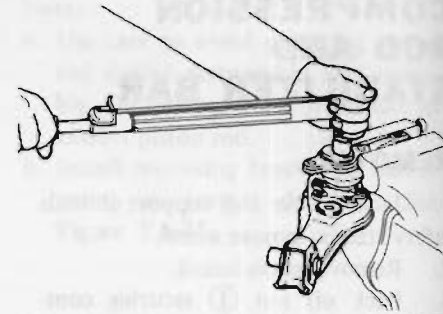
Align cotter pin hole with nut groove by retightening nut within the range of 60 degrees. Insert new cotter pin in hole and spread pin legs to secure the installation. See Figure FA-43.

Tightening torque:

Ball joint bolt:  
1.9 to 2.5 kg-m  
(14 to 18 ft-lb)

Ball joint castle nut:  
5.5 to 7.6 kg-m  
(40 to 55 ft-lb)

Transverse link mounting bolt:  
11.1 to 14.0 kg-m  
(80 to 101 ft-lb)



FA450

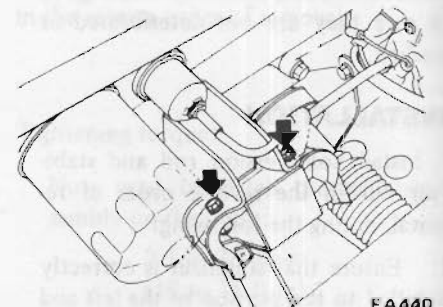
Fig. FA-43 Tightening knuckle arm castle nut

3. First, tighten transverse link mounting bolt temporarily, and then tighten to the rated torque with the car under the standard load.

## SUSPENSION CROSSMEMBER

### REMOVAL

1. Jack up car and support it with safety stands; remove wheels.
2. Remove splash board.
3. Remove steering gear box from suspension member. Refer to section ST.
4. Remove transverse link. For details, refer to "Transverse Link and Lower Ball Joint".
5. With an overhead hoist and lifting cable, support weight of engine to remove load from mountings.
6. Remove engine mounting bolts and nuts indicated by arrows in the sketch below. Separate suspension crossmember from engine.



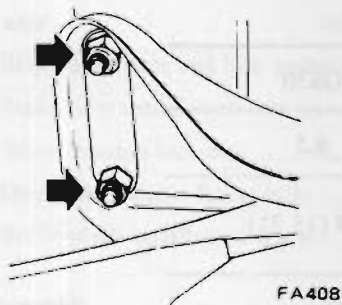
FA440

Tightening torque:

1.6 to 2.1 kg-m (12 to 15 ft-lb)

Fig. FA-44 Removing engine mounting bolts





FA408

## INSPECTION

Check suspension crossmember for evidence of deformation and cracking; if necessary, replace.

## INSTALLATION

Install suspension crossmember in the reverse order of removal.

Tightening torque:

4.5 to 5.0 kg-m (33 to 36 ft-lb)

Fig. FA-45 Removing suspension crossmember

Tightening torque:

Suspension member to frame

4.5 to 5.0 kg-m

(33 to 36 ft-lb)

## SERVICE DATA AND SPECIFICATIONS

### Wheel alignment

		S30	GS30 (2 + 2 seater)
Camber degree		0°18' to 1°48'	0°21' to 1°51'
Caster degree		2°3' to 3°33'	2°3' to 3°33'
Kingpin inclination degree		11°14' to 12°44'	11°14' to 12°44'
Toe-in mm (in)		0 to 3 (0 to 0.12)	0 to 3 (0 to 0.12)
*Steering angle degree	In	33°54' to 34°54'	36°18' to 37°18'
	Out	32°6' to 34°6'	34°24' to 36°24'

\*With the exception of steering angle, all chart specifications are based upon unloaded condition.

Steering angle is based upon loaded condition.

## Front Axle & Front Suspension

### Coil spring

	S30	GS30
Active turns of coil	9.5	8.5
Free length mm (in)	406 (15.98)	399 (15.71)
Spring constant kg/mm (lb/in)	1.84 (103.0)	2.06 (115.4)

### Strut assembly

Damping force at piston speed

0.3 m (1.0 ft)/sec.

Expansion/Compression                      kg (lb)/kg (lb) ..... 55 (121)/30 (66)

Front wheel bearing rotation starting torque

New parts                                      kg-cm (in-lb) ..... 4.0 to 8.5 (3.5 to 7.4)

As measured at wheel hub bolt              kg (lb) ..... 0.7 to 1.5 (1.5 to 3.3)

Adjustment with old parts                      kg-cm (in-lb) ..... 1.0 to 4.5 (0.9 to 3.9)

As measured at wheel hub bolt              kg (lb) ..... 0.2 to 0.8 (0.4 to 1.8)

Ball joint turning torque

New parts                                      kg-cm (in-lb) ..... 75 to 125 (65 to 109)

Used parts                                      kg-cm (in-lb) ..... More than 50 (43)

## Front Axle & Front Suspension

### Tightening torque

<b>Front axle</b>	<b>kg-m (ft-lb)</b>	
Brake disc rotor and hub assembly tightening bolt .....	3.9 to 5.3 (28 to 38)	
Brake tube installation nut .....	1.5 to 1.8 (11 to 13)	
Wheel bearing lock nut .....	2.5 to 3.0 (18 to 22)	
Disc brake caliper fixing bolt .....	7.3 to 9.9 (53 to 72)	
Baffle plate installation screw .....	0.32 to 0.44 (2.3 to 3.2)	
<b>Strut assembly</b>	<b>kg-m (ft-lb)</b>	
Gland packing tightening torque .....	7 to 13 (51 to 94)	
Piston rod self-locking nut .....	7.5 to 9.5 (54 to 69)	
Nut used to install the strut assembly on the body .....	2.5 to 3.5 (18 to 25)	
<b>Transverse link and ball joint</b>	<b>kg-m (ft-lb)</b>	
Bolts used to install the knuckle arm to strut .....	7.3 to 9.9 (53 to 72)	
Ball joint castle nut .....	5.5 to 7.5 (40 to 54)	
Bolts used to install the transverse link to ball joint .....	1.9 to 2.5 (14 to 18)	
Transverse link mounting bolt .....	11.1 to 14.0 (80 to 101)	
<b>Compression rod</b>	<b>kg-m (ft-lb)</b>	
Transverse link side .....	6.1 to 7.1 (44 to 51)	
Body side .....	4.5 to 5.5 (33 to 40)	
<b>Stabilizer bar</b>	<b>kg-m (ft-lb)</b>	
Connecting rod and transverse link installation nut .....	1.2 to 2.7 (9 to 20)	
Connecting rod and stabilizer bar installation nut .....	1.2 to 2.7 (9 to 20)	
Stabilizer bar and body installation bolt .....	1.9 to 2.5 (14 to 18)	
<b>Suspension member</b>	<b>kg-m (ft-lb)</b>	
Body side .....	4.5 to 5.0 (33 to 36)	
Engine mounting bolt .....	1.6 to 2.1 (12 to 15)	
Steering mounting bolt		
Bolt to welded nut .....	2.6 to 3.0 (19 to 22)	
Lock nut .....	3.1 to 3.5 (22 to 25)	
Side rod socket and knuckle arm	kg-m (ft-lb) .....	5.5 to 7.6 (40 to 55)
<b>Wheel nut</b>		
Steel wheel	kg-m (ft-lb) .....	8.0 to 9.0 (58 to 65)
Aluminum wheel	kg-m (ft-lb) .....	8.0 to 10.0 (58 to 72)

## TROUBLE DIAGNOSES AND CORRECTIONS

Condition	Probable cause	Corrective action
<p><b>Vibration, shock and shimmying of steering wheel.</b></p> <p><b>Vibration:</b> Loose connection of the serration parts and wear of each part of linkage cause vibration of front wheels, which in turn is transmitted to the steering wheel. This is very noticeable when travelling over rough roads.</p> <p><b>Shock:</b> When the front wheels are travelling over bumpy roads, the play of the steering linkage is transmitted to the steering wheel. This is especially noticeable when travelling on rough roads.</p> <p><b>Shimmying:</b> Abnormal vibration of the front suspension group and the whole steering linkage, which occur when a specific speed is attained.</p>	<p>Improper tire pressure. Imbalance and deformation of roadwheel.</p> <p>Unevenly worn tire or insufficient lightening.</p> <p>Improperly adjusted or worn front wheel bearing.</p> <p>Faulty wheel alignment.</p> <p>Worn fitting transverse link bushings.</p> <p>Insufficiently tightened steering gear housing.</p> <p>Wear of steering linkage.</p> <p>Worn suspension ball joint.</p> <p>Excessive backlash due to improper adjustment of the retainer parts.</p> <p>Damaged idler arm.</p> <p>Worn column bearing, weakened column bearing spring, or loose clamp.</p> <p>Malfunction of shock absorber (inside the strut) or loose installation bolts.</p> <p>Imbalance of vehicle level.</p>	<p>Adjust. Correct the imbalance or replace. Replace or tighten. Adjust or tighten. Adjust. Replace. Retighten Replace faulty parts. Replace. Adjust correctly. Replace. Replace or retighten. Replace or retighten. Correct the imbalance.</p>
<p><b>Vehicle pulls to right or left</b> When driving with hands off the steering wheel over a flat road, the car gently swerves to right or left.</p> <p>Note: A faulty rear suspension may also be the cause of this trouble, therefore, see also the chapter dealing with the rear suspension.</p>	<p>Improper tire pressure or insufficient tightening of wheel nuts.</p> <p>Difference in height of right and left tire treads.</p> <p>Incorrect adjustment or abrasion of front wheel bearing.</p> <p>Collapsed or twisted front spring.</p> <p>Incorrect wheel alignment.</p> <p>Incorrect brake adjustment (binding).</p> <p>Worn rubber bushings for transverse link and compression rod.</p> <p>Deformed steering linkage and suspension link.</p> <p>Imbalance of car level.</p>	<p>Adjust or tighten. Replace tires. Adjust or replace. Replace. Adjust. Adjust. Replace. Replace. Correct the imbalance.</p>
<p><b>Instability of car</b></p>	<p>Improper tire pressure. Worn rubber bushings for transverse link and tension rod. Incorrect wheel alignment.</p>	<p>Adjust. Replace. Adjust.</p>



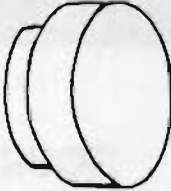

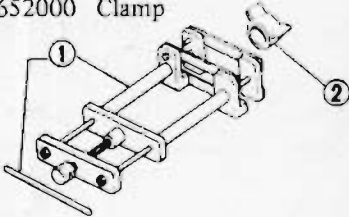
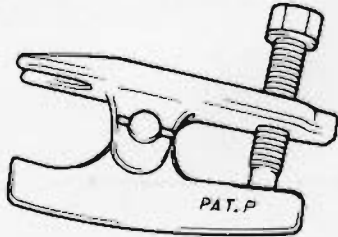

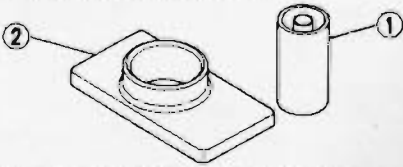
## Front Axle & Front Suspension

Condition	Probable cause	Corrective action
<p><b>Instability of car</b></p>	<p>Worn or deformed steering linkage and suspension link.</p> <p>Incorrect adjustment of steering gear.</p> <p>Deformed or imbalanced wheel.</p>	<p>Replace.</p> <p>Adjust.</p> <p>Correct or replace.</p>
<p><b>Stiff steering wheel</b> (check-up procedure)</p> <p>Jack up front wheels, detach the steering gear and operate the steering wheel, and:</p> <p>If it is light, check steering linkage, and suspension groups.</p> <p>If it is heavy, check steering gear and steering column groups.</p>	<p>Improper tire pressure.</p> <p>Insufficient lubricants or mixing impurities in steering linkage or excessively worn steering linkage.</p> <p>Stiff or damaged suspension ball-joint, or lack of grease.</p> <p>Worn or incorrectly adjusted wheel bearing.</p> <p>Worn damaged steering gear and bearing.</p> <p>Incorrectly adjusted steering gear.</p> <p>Deformed steering linkage.</p> <p>Incorrect wheel alignment.</p> <p>Worn strut upper end bearing.</p> <p>Damaged or stiff piston or shock absorber rod (in the strut).</p> <p>Interference of steering column with turn signal switch.</p>	<p>Adjust.</p> <p>Replenish grease or replace the part.</p> <p>Replace.</p> <p>Replace or adjust.</p> <p>Replace.</p> <p>Adjust.</p> <p>Replace.</p> <p>Adjust.</p> <p>Replace.</p> <p>Replace.</p> <p>Adjust.</p>
<p><b>Excessive steering wheel play</b></p>	<p>Incorrectly adjusted steering gear housing.</p> <p>Worn steering linkage.</p> <p>Improperly fitted gear box.</p> <p>Incorrectly adjusted wheel bearing.</p> <p>Worn transverse link and tension rod fitting bushings.</p>	<p>Adjust.</p> <p>Replace.</p> <p>Retighten.</p> <p>Adjust.</p> <p>Replace.</p>
<p><b>Noises</b></p>	<p>Improper tire pressure.</p> <p>Insufficient lubricating oil and grease for suspension ball joint and steering linkage, or their breakage.</p> <p>Loose steering gear bolts, linkage and suspension groups.</p> <p>Damaged shock absorber (inside the strut).</p> <p>Worn wheel bearing.</p> <p>Worn steering linkage and steering gear.</p> <p>Worn transverse link and tension rod fitting bushings.</p> <p>Broken or collapsed coil spring.</p> <p>Loose strut mounting insulator tightening nuts.</p> <p>Loose stabilizer bolt.</p>	<p>Adjust.</p> <p>Replenish lubricating oil and grease, or replace.</p> <p>Retighten.</p> <p>Replace.</p> <p>Replace.</p> <p>Replace.</p> <p>Replace.</p> <p>Replace.</p> <p>Retighten.</p> <p>Retighten.</p>

## Front Axle & Front Suspension

Condition	Probable cause	Corrective action
<b>Grating tire noise</b>	Improper tire pressure. Incorrect wheel alignment. Deformed knuckle spindle and suspension linkage.	Adjust. Adjust. Replace.
<b>Jumping of disc wheel</b>	Improper tire pressure. Imbalance wheels. Damaged shock absorber. Faulty tire. Deformed wheel rim.	Adjust. Adjust. Replace. Replace. Replace.
<b>Excessively or partially worn tire.</b>	Improper tire pressure. Incorrect wheel alignment. Worn wheel bearing. Incorrect brake adjustment. Improper tire shifting (rotation). Rough and improper driving manner.	Adjust. Adjust. Replace. Adjust. Adjust. Drive more gently.

## SPECIAL SERVICE TOOLS

Tool number & tool name	Kent-Moore No.	Tool number & tool name	Kent-Moore No.
	Reference page or Fig. No.		Reference page or Fig. No.
ST35300000 Drift 	— Fig. FA-16	ST35540000 Gland packing guide 	J 25829 Fig. FA-30
ST3565S001 Coil spring compressor set ① ST35651001 Coil spring compressor ② ST35652000 Clamp 	J 25833 Fig. FA-25	HT72520000 Ball joint remover 	— Fig. FA-11
KV40100800 Gland packing wrench 	J 26803 Fig. FA-26 Fig. FA-32	ST36710000 Transverse link bushing replacer (FR) ① ST36710010 Drift ② ST36710020 Support base 	J 25844 Fig. FA-40