

**DATSUN 280Z  
MODEL S30 SERIES**



**NISSAN MOTOR CO., LTD.  
TOKYO, JAPAN**

## **SECTION PD**

# **PROPELLER SHAFT & DIFFERENTIAL CARRIER**

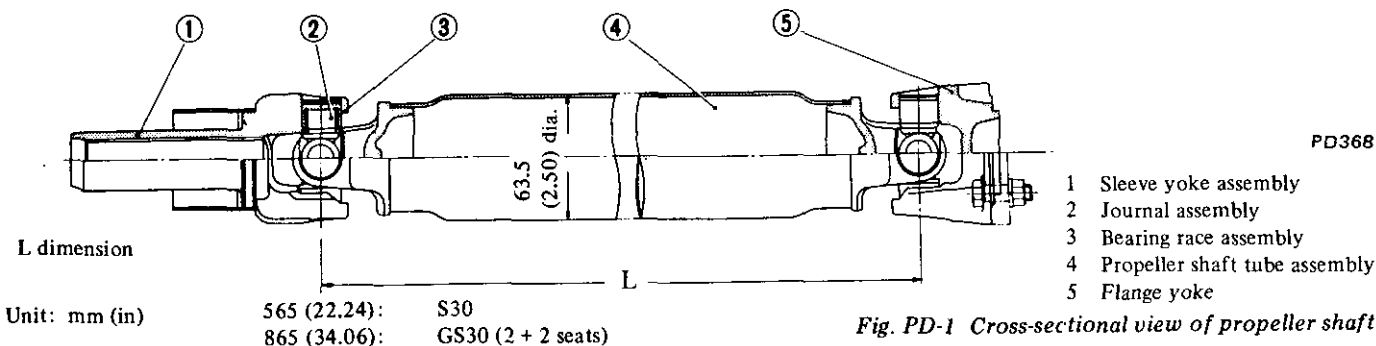
**PD**

PROPELLER SHAFT .....	PD- 2
DIFFERENTIAL CARRIER .....	PD- 3
SERVICE DATA AND SPECIFICATIONS .....	PD-14
TROUBLE DIAGNOSES AND CORRECTIONS .....	PD-16
SPECIAL SERVICE TOOLS .....	PD-18

# PROPELLER SHAFT

## CONTENTS

DESCRIPTION .....	PD-2	CHECKING AND CORRECTING	
INSPECTION .....	PD-2	UNBALANCED PROPELLER SHAFT .....	PD-2
REMOVAL .....	PD-2	SERVICE DATA AND SPECIFICATIONS .....	PD-2
INSTALLATION .....	PD-2	TROUBLE DIAGNOSES AND	
		CORRECTIONS .....	PD-3



## DESCRIPTION

The propeller shaft is a 2-joint type. The propeller shaft and universal joint assembly are carefully balanced during original assembly; that is, the dynamic unbalance is under 35 gr-cm (0.5 in-oz) at 5,800 rpm.

The length of propeller shafts differs for S30 and GS30 (2 + 2 seats) models.

If the propeller shaft is found damaged, replace it as an assembly. When removing or installing the propeller shaft assembly, be careful not to drop it.

## INSPECTION

1. Check journal for axial play. If play exists, replace propeller shaft assembly.

**Note:** Journal cannot be disassembled.

2. Check the propeller shaft tube surface for dents or cracks. If necessary, replace propeller shaft assembly.

## REMOVAL

1. Raise car on hoist. Remove bolts securing insulator and put insulator on exhaust tube.
2. Scribe match marks both on propeller shaft and companion flange so that shaft can be reinstalled in the original position.
3. Remove bolts securing shaft to companion flange.
4. Draw out propeller shaft sleeve yoke from transmission by moving shaft rearward, passing it under rear axle.

Watch for oil leakage from transmission rear end. Take proper action if oil leak is discovered.

**Note:** Remove propeller shaft carefully so as not to damage the spline, sleeve yoke or rear oil seal.

## INSTALLATION

To install, reverse the foregoing removal procedure.

Align propeller shaft with com-

panion flange using reference marks prescribed in "Removal" procedure and tighten them with bolts.

Tightening torque:  
4.0 to 4.5 kg-m  
(29 to 33 ft-lb)

## CHECKING AND CORRECTING UNBALANCED PROPELLER SHAFT

To check and correct an unbalanced propeller shaft, proceed as follows:

1. Remove undercoating and other foreign material which could upset shaft balance, and check shaft vibration by road test.
2. If shaft vibration is noted during road test, disconnect propeller shaft at differential carrier companion flange, rotate companion flange 180 degrees and reinstall propeller shaft.
3. Again check shaft vibration. If vibration still persists, replace propeller shaft assembly.

## SERVICE DATA AND SPECIFICATIONS

Permissible dynamic unbalance	gr-cm (in-oz) .....	35 (0.5) at 5,800 rpm
Axial play of spider journal	mm (in) .....	0 (0)
Journal swinging torque	kg-cm (in-lb) .....	2.4 to 3.3 (2.1 to 2.9)

## Propeller Shaft & Differential Carrier

Tightening torque	kg-m (ft-lb)	
Propeller shaft to companion flange bolt .....		4.0 to 4.5 (29 to 33)

### TROUBLE DIAGNOSES AND CORRECTIONS

Condition	Probable cause	Corrective action
Vibration at medium or high speed	Worn or damaged universal joint needle bearing.	Replace propeller shaft assembly.
	Unbalance due to bent or dented propeller shaft.	Replace propeller shaft assembly.
	Loose propeller shaft installation.	Retighten.
	Worn transmission rear extension bushing.	Replace.
	Undercoating or mud on the shaft causing unbalance.	Clean shaft.
	Tire unbalance.	Balance wheel and tire assembly.
	Balance weights missing.	Replace.
Knocking sound on propeller shaft while starting or noise while coasting.	Worn or damaged universal joint.	Replace propeller shaft assembly.
	Worn sleeve yoke and main shaft spline.	Replace propeller shaft assembly.
	Loose propeller shaft installation.	Retighten.
Scraping noise	Dust cover on sleeve yoke rubbing on transmission rear extension. Dust cover on companion flange rubbing on differential carrier.	Straighten dust cover to remove interference.

## DIFFERENTIAL CARRIER

### CONTENTS

DESCRIPTION .....	PD- 3	ADJUSTMENT OF DRIVE PINION	
REMOVAL .....	PD- 5	PRELOAD .....	PD- 8
PRE-DISASSEMBLY INSPECTION .....	PD- 5	ADJUSTMENT OF DRIVE PINION	
DISASSEMBLY .....	PD- 5	HEIGHT .....	PD- 8
DISASSEMBLY OF DIFFERENTIAL CASE ..	PD- 6	ADJUSTMENT OF SIDE BEARING	
INSPECTION .....	PD- 7	WASHERS .....	PD-10
ASSEMBLY AND ADJUSTMENT .....	PD- 7	INSTALLATION .....	PD-12
PRECAUTIONS IN REASSEMBLY .....	PD- 7	REPLACEMENT OF OIL SEALS .....	PD-12
ASSEMBLY OF DIFFERENTIAL GEAR		FRONT OIL SEAL .....	PD-12
CASE .....	PD- 7	SIDE OIL SEAL .....	PD-13

### DESCRIPTION

The differential gear carrier assembly has a hypoid type drive pinion and ring gear set with a gear ratio of 3.545 for all models.

The drive pinion is mounted with one ball bearing and two tapered roller bearings which are preloaded by pinion bearing adjusting spacer and washer during assembly.

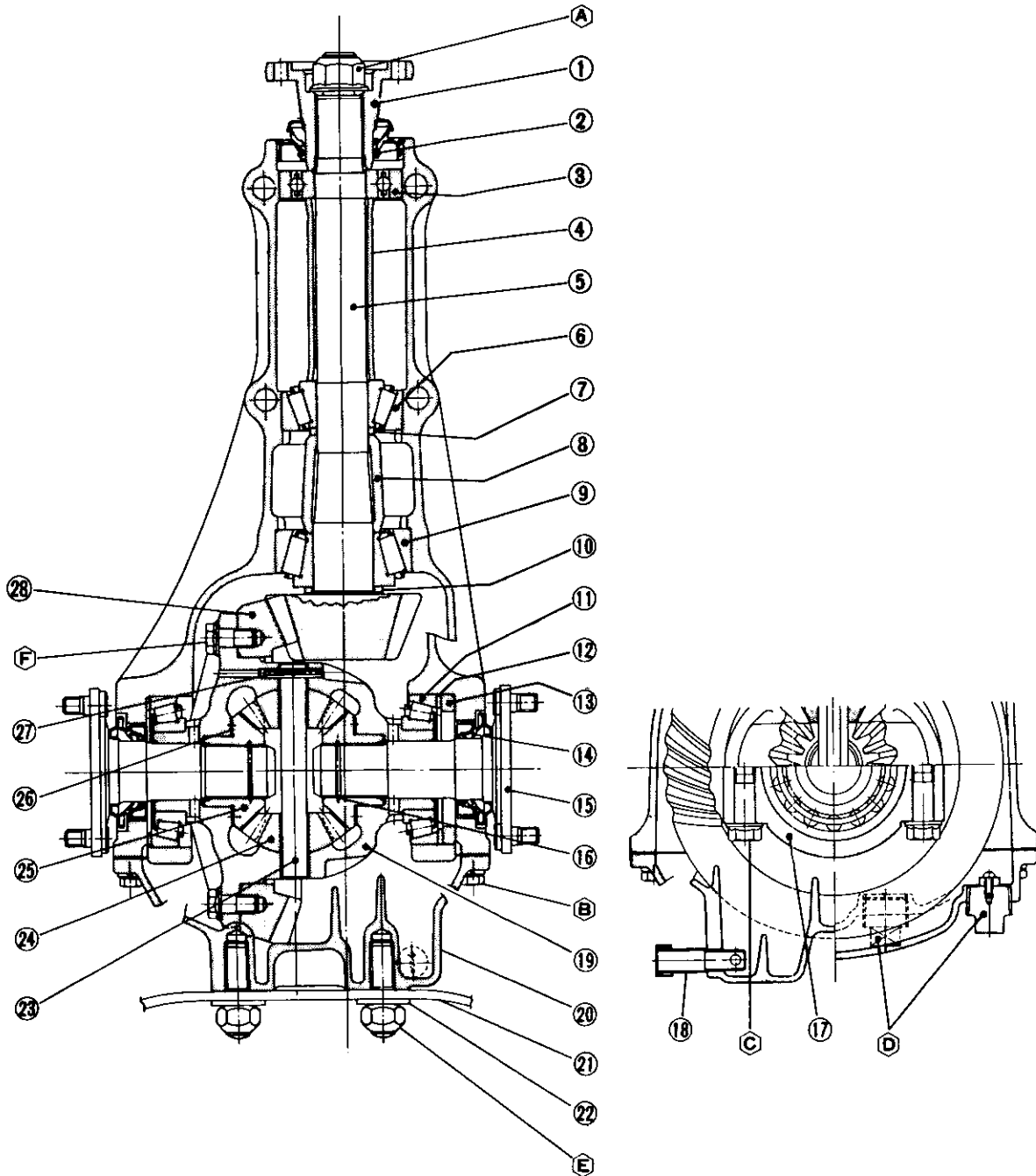
The drive pinion is adjusted by a

washer located between a shoulder of the drive pinion and the rear bearing.

The differential case is supported in the carrier by two tapered roller side bearings. These bearings are preloaded with an interference fit of 0.1 mm (0.0039 in) to the final drive housing. The side bearing adjustment is properly made by washer(s) inserted between the housing and side bearings. The

differential case assembly is positioned for proper ring gear-to-drive pinion backlash by varying these washers. The ring gear is bolted to the differential case. The case houses two side gears in mesh with two pinions mounted on a pinion mate shaft. The pinion mate shaft is anchored in the case by lock pin. The pinions and side gears are backed by thrust washers.

# Propeller Shaft & Differential Carrier



- |   |  |   |
|---|--|---|
| 1 Companion flange  | 11 Side bearing  | 20 Rear cover   |
| 2 Front oil seal<br>Supply multi-purpose grease to oil seal lip when assembling         | 12 Side bearing adjusting washer<br>Adjust side bearing preload and ring gear-to-drive pinion backlash by selecting ⑫. | 21 Differential rear mounting member  |
| 3 Front pilot bearing   | 13 Side bearing spacer   | 22 Special washer   |
| 4 Front pilot bearing spacer  | 14 Side oil seal   | 23 Pinion mate shaft  |
| 5 Drive pinion  | 15 Side flange<br>Supply multi-purpose grease to oil seal lip when assembling  | 24 Pinion mate  |
| 6 Pinion front bearing  | 16 Side flange circlip   | 25 Side gear  |
| 7 Pinion bearing adjusting washer<br>Adjust pinion bearing preload by selecting ⑦ and ⑧ | 17 Side bearing cap  | 26 Thrust washer<br>Adjust the pinion mate-to-side gear backlash (or the clearance between the rear face of side gear and thrust washer) to 0.1 to 0.2 mm (0.0039 to 0.0079 in) by ⑳. |
| 8 Pinion bearing adjusting spacer   | 18 Breather<br>Install with an arrow towards front.  | 27 Lock pin   |
| 9 Pinion rear bearing   | 19 Differential case   | 28 Ring gear  |
| 10 Pinion height adjusting washer<br>Adjust pinion height by selecting ⑩.               |  |   |

- Tightening torque (T) of bolts and nuts kg-m (ft-lb)
- Ⓐ T : 19 to 22 (137 to 159)
  - Ⓑ T : 1.6 to 2.4 (12 to 17)
  - Ⓒ T : 9 to 10 (65 to 72)
  - Ⓓ T : 4.2 to 6.9 (30 to 50)
  - Ⓔ T : 7.5 to 9.5 (54 to 69)
  - Ⓕ T : 6 to 7 (43 to 51)
- Using locking agent [Locktite (stud lock) or equivalent]

PD369  
Fig. PD-2 Cross-sectional view of differential carrier

## REMOVAL

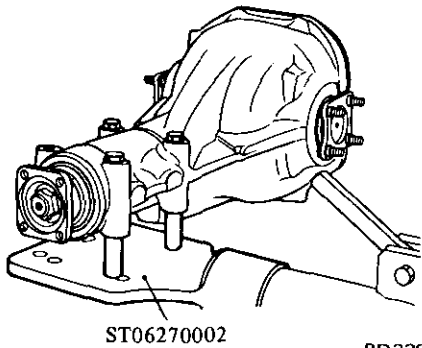
Service procedures are covered under Gear Carrier in Section RA.

## PRE-DISASSEMBLY INSPECTION

Differential carrier should be inspected before parts except rear cover are removed from it.

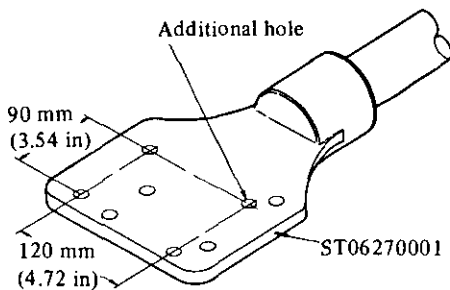
These inspections are helpful in finding the cause of the problem and in determining necessary corrections.

1. Using three 45 mm (1.77 in) spacers, mount carrier on Gear Carrier Attachment ST06270002.



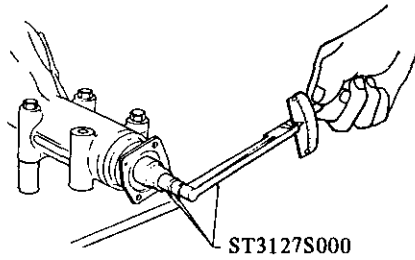
ST06270002 PD339  
Fig. PD-3 Mounting differential carrier

If the tool ST06270001 is used, drill an additional 14 mm (0.55 in) diameter hole on the position shown in Figure PD-4.



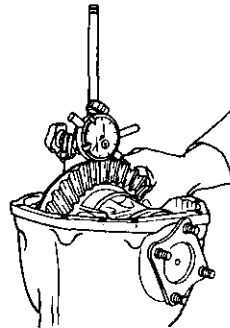
PD327  
Fig. PD-4 Location of additional hole

2. Remove rear cover.
3. Visually inspect parts for wear or damage.
4. Rotate gears checking for any roughness which would indicate damaged bearings or chipped gears. Check gear teeth for scoring or signs of abnormal wear. Measure preload of drive pinion.



PD340  
Fig. PD-5 Measuring pinion preload

5. Set up a dial indicator and check the backlash at several points around ring gear. Backlash should be within 0.13 to 0.18 mm (0.0051 to 0.0071 in).



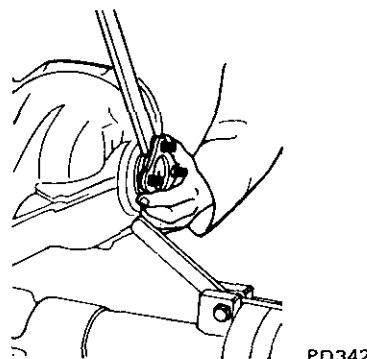
PD341  
Fig. PD-6 Measuring the backlash of ring gear and pinion

6. Check gear tooth contact with a mixture of powdered red lead and oil. For the tooth contact pattern, see page PD-11 – Contact Pattern.

## DISASSEMBLY

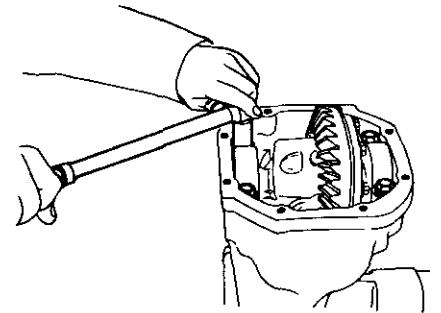
1. Drive side flange out with pry bar. See Figure PD-7.

**Note:** Hold side flange with hand to prevent it from jumping out of carrier.



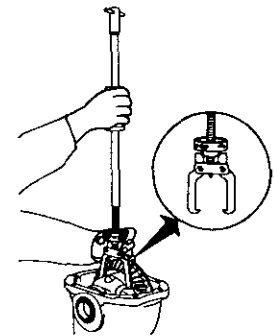
PD342  
Fig. PD-7 Removing side flange

2. Put match marks on side bearing caps and carrier.
3. Loosen side bearing cap bolts and remove bearing caps.



PD343  
Fig. PD-8 Removing side bearing cap

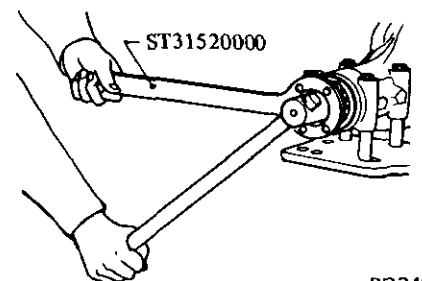
4. Using slide hammer (HT72400000), lift differential case assembly out. See Figure PD-9.



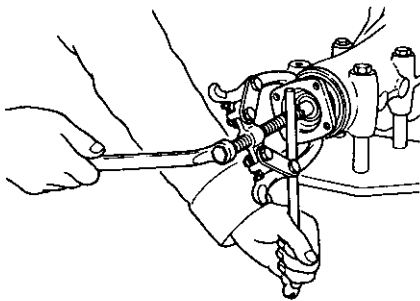
PD344  
Fig. PD-9 Removing differential case assembly

**Note:** Care should be taken not to confuse the left and right hand bearing caps and bearing outer races so that parts may be installed to the original position.

5. Loosen drive pinion nut, holding companion flange with Drive Pinion Flange Wrench ST31520000 and pull off companion flange using a suitable puller. See Figures PD-10 and PD-11.



PD345  
Fig. PD-10 Removing drive pinion nut

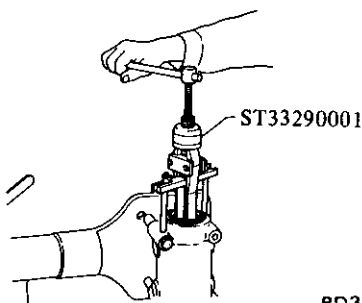


PD346

Fig. PD-11 Removing companion flange

6. Extract drive pinion from carrier using a press. Take out drive pinion together with rear bearing inner race, bearing spacer and adjusting washer.

7. Remove oil seal using Gear Carrier Oil Seal Puller ST33290001.



PD347

Fig. PD-12 Removing front oil seal

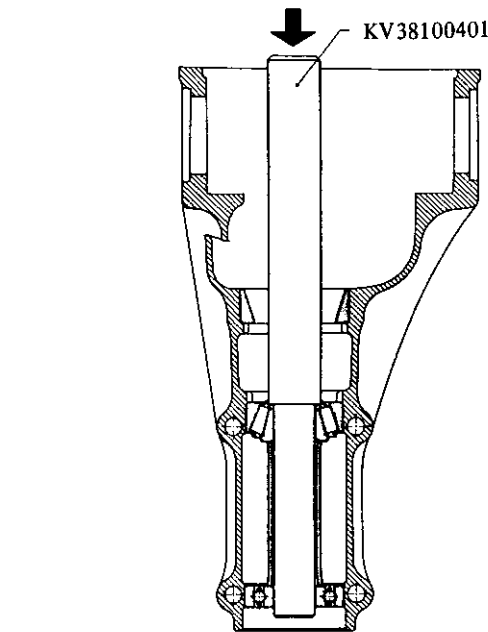
**Note:** Oil seal must not be reused.

8. Remove pilot bearing together with pilot bearing spacer and front bearing inner race using Pilot Bearing Drift KV38100401. See Figure PD-13.

9. Remove side oil seal.

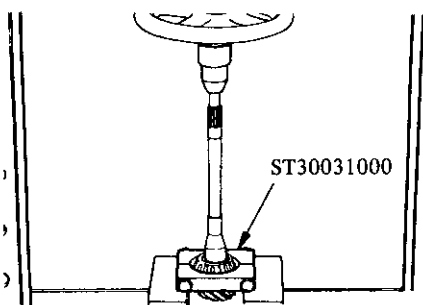
**Note:** Oil seal must not be reused.

10. Hold rear bearing inner race with Drive Pinion Rear Bearing Inner Race Puller ST30031000 and extract from drive pinion with a press. See Figure PD-14.



PD348

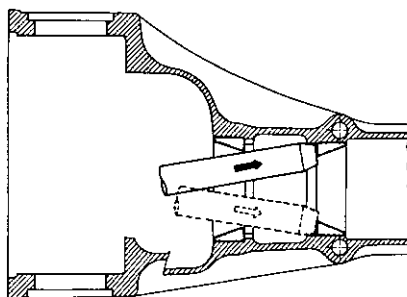
Fig. PD-13 Removing pilot bearing



PD179

Fig. PD-14 Removing pinion rear bearing inner race

11. To remove front and rear bearing outer races, put a drift to race surface, and withdraw them by tapping the top of drift with a hammer. See Figure PD-15.

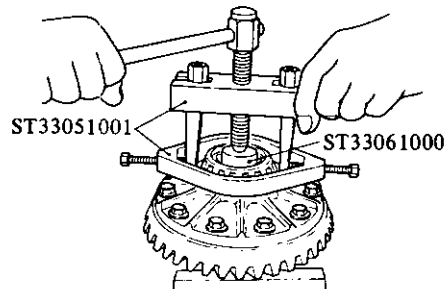


PD349

Fig. PD-15 Removing pinion bearing outer races

### DISASSEMBLY OF DIFFERENTIAL CASE

1. Extract bearing using Differential Side Bearing Puller ST3306S001 (set of ST33051001 and ST33061000). See Figure PD-16.



PD350

Fig. PD-16 Removing side bearing

**Notes:**

- a. Securely attach puller to bearing inner race, utilizing two grooves in differential case.
- b. Be careful not to confuse the left and right hand parts.

2. Remove ring gear by loosening ring gear bolts.

**Note:** Loosen bolts diagonally.

Punch off pinion mate shaft lock pin from ring gear side using Soid Punch ST23550001.

**Note:** Lock pin is caulked at pin hole mouth on differential case. Do not punch it off forcibly without checking how it is caulked.

4. Draw out pinion mate shaft and remove pinion mate gears, side gears and thrust washers.

**Note:** Put marks on gear and thrust washer so that they can be re-installed in their original positions from which they were removed.

## INSPECTION

Thoroughly clean all disassembled parts, and examine them to see that they are worn, damaged or otherwise faulty, and how they are affected. Repair or replace all faulty parts, whichever is necessary.

1. Check gear teeth for scoring, cracking or chipping, and make sure that tooth contact pattern indicates correct meshing depth. If any fault is evident, replace parts as required.

**Note:** Drive pinion and drive gear are supplied for replacement as a set, therefore, should either part be damaged, replace as a set.

2. Check pinion gear shaft, and pinion gear for scores and signs of wear, and replace as required.

Follow the same procedure for side gears and their seats on differential case.

3. Inspect all bearing races and rollers for scoring, chipping or evidence of excessive wear. They should be in tiptop condition such as not worn and with mirror-like surfaces. Replace if there is a shadow of doubt on their efficiency, as an incorrect bearing operation may result in noise and gear seizure.

If you need the information on "Visual Serviceability Standard for Taper Roller Bearing" refer to Section FA for Inspection.

4. Inspect thrust washer faces. Small faults can be corrected with sandpaper. If pinion mate to side gear backlash (or the clearance between side gear and thrust washer) exceeds limits 0.1 to 0.2 mm (0.0039 to 0.0079 in), replace thrust washers.

5. Inspect carrier and differential case for cracks or distortion. If either condition is evident, replace faulty parts.

6. As a general rule, oil seal should be replaced at each disassembly.

## ASSEMBLY AND ADJUSTMENT

Assembly can be done in the reverse order of disassembly. Adherence to the following directions for adjustment and usage of special tools enable to obtain a perfect differential operation.

### PRECAUTIONS IN REASSEMBLY

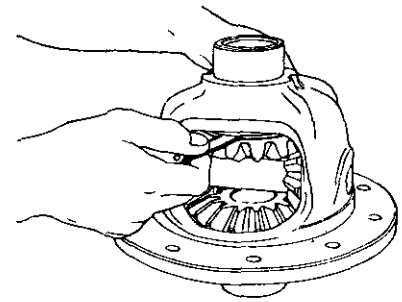
1. Arrange shims, washers and the like to install them correctly.
2. Thoroughly clean the surfaces on which shims, washers, bearings and bearing retainers are installed.
3. Thoroughly clean oil from ring gear bolt and its hole with "Loctite Lacquic Primer" or equivalent.
4. Apply gear oil when installing bearings.
5. Pack recommended multi-purpose grease into cavity between lips when fitting oil seal.

### ASSEMBLY OF DIFFERENTIAL GEAR CASE

1. Assemble pinion mates, side gears and thrust washers in differential case.
2. Fit pinion shaft to differential case so that it meets lock pin holes.
3. Adjust side gear-to-pinion mate backlash or adjust the clearance between the rear face of side gear and thrust washer. See Figure PD-17.

If above procedure is not effective with existing washer, try with other washers.

Normal backlash or clearance:  
0.1 to 0.2 mm  
(0.0039 to 0.0079 in)



PD023

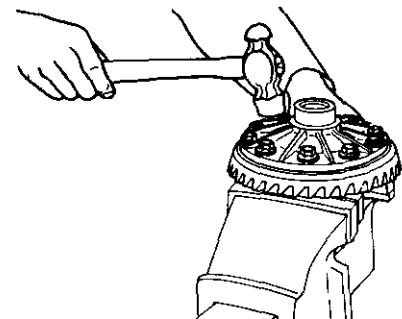
Fig. PD-17 Measuring clearance

Side gear thrust washer

Thickness mm (in)
0.75 to 0.80 (0.0295 to 0.0315)
0.80 to 0.85 (0.0315 to 0.0335)
0.85 to 0.90 (0.0335 to 0.0354)

4. Lock pinion shaft lock pin using a punch after it is secured in place.
  5. Apply oil to gear tooth surfaces and thrust surfaces and check that they turn properly.
  6. Place ring gear on differential case and apply a small amount of locking agent [Loctite (stud lock) or equivalent] to the bolts; then install bolts.
- Note:** Use only genuine ring gear bolts.
7. Tighten bolts in a criss-cross fashion to specified torque, and apply light hammer blows to bolt heads. Again tighten bolts to specified torque.

Tightening torque:  
7 to 8 kg-m  
(51 to 58 ft-lb)



PD351

Fig. PD-18 Tapping bolt heads

# Propeller Shaft & Differential Carrier

8. Measure bearing width with a standard gauge [21.00 mm (0.8268 in) thickness] and a weight block [about 2.5 kg (5.5 lb)] prior to installation. See Figure PD-19.

Standard bearing width:  
21.00 mm (0.8268 in)

Bearing width is slightly smaller than 21.00 mm (0.8268 in).

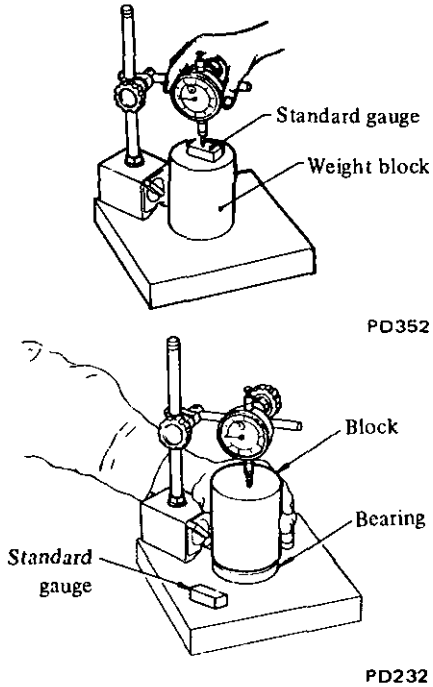


Fig. PD-19 Measuring bearing width

9. Press fit side bearing inner race on differential case with Gear Carrier Side Bearing Drift KV38100300 and Adapter ST33061000. See Figure PD-20.

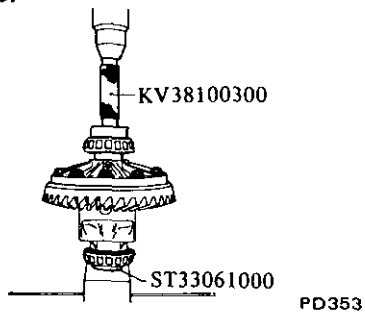


Fig. PD-20 Installing side bearing inner race

## ADJUSTMENT OF DRIVE PINION PRELOAD

Adjust drive pinion preload with spacer and washer between front and rear bearing inner races, regardless of thickness of pinion height adjusting washer.

This adjustment must be carried out without oil seal inserted.

1. Press fit front and rear bearing outer races into gear carrier using Drive Pinion Outer Race Drift Set ST30611000, ST30613000 and ST30621000.

Front: ST30611000 and ST30613000

Rear: ST30611000 and ST30621000

2. Insert rear bearing inner race into Dummy Shaft KV38100110.

3. Fit drive pinion bearing spacer, washer, front bearing inner race, Dummy Shaft Collar KV38100130 and companion flange in that order on dummy shaft and tighten drive pinion nut to specified torque with Stopper KV38100140. See Figure PD-21.

Tightening torque of pinion nut:  
19 to 22 kg-m  
(137 to 159 ft-lb)

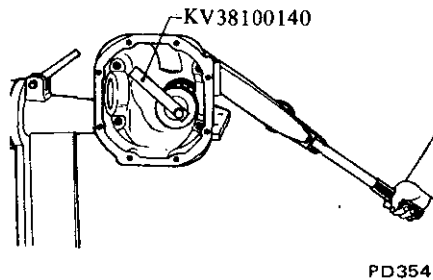


Fig. PD-21 Tightening drive pinion nut

4. Measure pinion bearing preload using Preload Gauge ST3127S000, and select washer and spacer that will provide required preload. See Figure PD-22.

Pinion bearing preload (without oil seal):

10 to 13 kg-cm  
(8.7 to 11.3 in-lb)

At companion flange bolt hole:

2.9 to 3.7 kg  
(6.4 to 8.2 lb)

Notes:

- Replace bearing washer and spacer with thicker ones if pinion cannot be turned by hand while it is being tightened.
- Preload of old bearing is the same value as that of a new bearing.

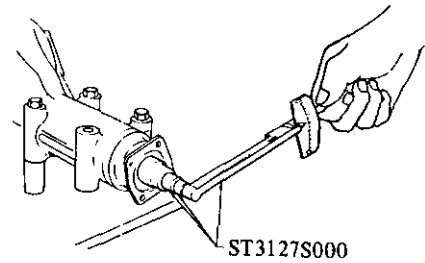


Fig. PD-22 Measuring pinion preload

## Pinion bearing adjusting spacer

Length mm (in)
55.10 (2.1693)
55.40 (2.1811)
55.70 (2.1929)
56.00 (2.2047)
56.25 (2.2146)

## Pinion bearing adjusting washer

Thickness mm (in)
3.80 to 3.82 (0.1496 to 0.1504)
3.82 to 3.84 (0.1504 to 0.1512)
3.84 to 3.86 (0.1512 to 0.1520)
3.86 to 3.88 (0.1520 to 0.1528)
3.88 to 3.90 (0.1528 to 0.1535)
3.90 to 3.92 (0.1535 to 0.1543)
3.92 to 3.94 (0.1543 to 0.1551)
3.94 to 3.96 (0.1551 to 0.1559)
3.96 to 3.98 (0.1559 to 0.1567)
3.98 to 4.00 (0.1567 to 0.1575)
4.00 to 4.02 (0.1575 to 0.1583)
4.02 to 4.04 (0.1583 to 0.1591)
4.04 to 4.06 (0.1591 to 0.1599)
4.06 to 4.08 (0.1599 to 0.1606)
4.08 to 4.10 (0.1606 to 0.1614)

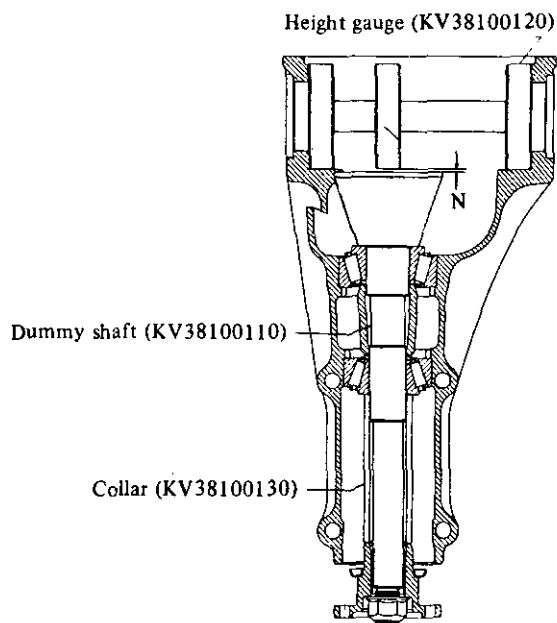
## ADJUSTMENT OF DRIVE PINION HEIGHT

Adjust pinion height with washer located between rear bearing inner race and back of pinion gear.

1. Install Height Gauge KV38100120 on carrier with dummy shaft mounted. See Figure PD-23.



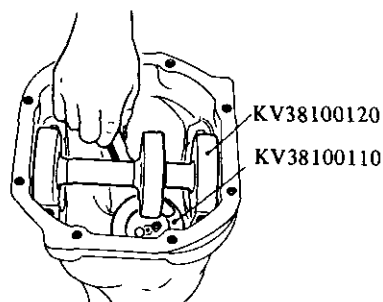
# Propeller Shaft & Differential Carrier



PD355

Fig. PD-23 Measuring the clearance (N)

2. Measure the clearance (N) between the tip end of height gauge and the end surface of dummy shaft, using a thickness gauge. See Figure PD-24.



PD356

Fig. PD-24 Adjusting pinion height

3. The thickness of drive pinion height adjusting washer can be obtained from the following formula:

$$T = N - [(H - D') \times 0.01] + 3.00$$

Where,

- T : Required thickness of rear bearing adjusting washers (mm).
- N : Measured value with thickness gauge (mm).
- H : Figure marked on the drive pinion head. See Figure PD-25.
- D' : Figure marked on the dummy shaft.

Figures for H and D' are dimensional variations in a unit of 1/100 mm against each standard measurement.



PD186

Fig. PD-25 Variation number on drive pinion

Examples of calculation

Ex. 1 ---

$$N = 0.23 \text{ mm}$$

$$H = +2, D' = 1$$

$$T = N - [(H - D') \times 0.01] + 3.00$$

$$= 0.23 - [(+2) - 1] \times 0.01 + 3.00$$

$$= 0.23 - [1 \times 0.01] + 3.00$$

$$= 0.23 - 0.01 + 3.00$$

$$= 3.22 \text{ mm}$$

The correct washer is 3.21 mm thick.

Ex. 2 ---

$$N = 0.35 \text{ mm}$$

$$H = -1, D' = 2$$

$$T = N - [(H - D') \times 0.01] + 3.00$$

$$= 0.35 - [(-1) - 2] \times 0.01 + 3.00$$

$$= 0.35 - [(-1 - 2) \times 0.01] + 3.00$$

$$= 0.35 - [(-3) \times 0.01] + 3.00$$

$$= 0.35 - [-0.03] + 3.00$$

$$= 0.35 + 0.03 + 3.00$$

$$= 3.38$$

The correct washer is 3.39 mm thick.

Ex. 3 ---

$$N = 0.27 \text{ mm}$$

$$H = 0, D' = 0$$

$$T = N - [(H - D') \times 0.01] + 3.00$$

$$= 0.27 - [(0 - 0) \times 0.01] + 3.00$$

$$= 0.27 - [0 \times 0.01] + 3.00$$

$$= 0.27 - 0 + 3.00$$

$$= 3.27$$

The correct washer is 3.27 mm thick.

Note: If values signifying H and D' are not given, regard them as zero and compute. After assembly, check to see that tooth contact is correct. If not, readjust.

For the tooth contact pattern, see page PD-11 for Contact Pattern.

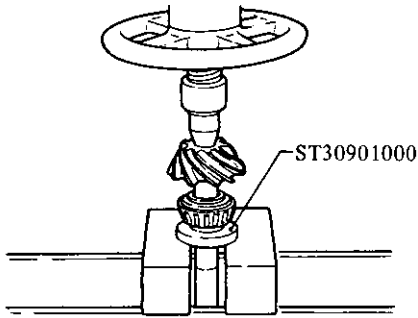
Pinion bearing adjusting washer

Thickness mm (in)
3.09 (0.1217)
3.12 (0.1228)
3.15 (0.1240)
3.18 (0.1252)
3.21 (0.1264)
3.24 (0.1276)
3.27 (0.1287)
3.30 (0.1299)
3.33 (0.1311)
3.36 (0.1323)
3.39 (0.1335)
3.42 (0.1346)
3.45 (0.1358)
3.48 (0.1370)
3.51 (0.1382)
3.54 (0.1394)
3.57 (0.1406)
3.60 (0.1417)
3.63 (0.1429)
3.66 (0.1441)
0.05 (0.0020)
0.07 (0.0028)

Note: Pinion height adjustment can be made in a unit of 1/100 mm (4/10,000 in) by selecting either 0.05 mm (0.0020 in) or 0.07 mm (0.0028 in) shim in above chart.

## Propeller Shaft & Differential Carrier

4. Fit determined pinion height adjusting washer in drive pinion, and press fit rear bearing inner race in it using Base ST30901000. See Figure PD-26.



PD092

Fig. PD-26 Pressing rear bearing inner race

**Note:** Insert washer into pinion with the chamfered side towards gear.

5. Lubricate pinion front and rear bearings. Install drive pinion in gear carrier into which drive pinion bearing spacer and washer, front bearing inner race and front pilot bearing spacer, moreover, pilot bearing and front oil seal are fitted. Fit front oil seal using Gear Carrier Front Oil Seal Drift KV38100500.

6. Fit companion flange on drive pinion, and secure it in position by tightening nut to specified torque confirming preload.

Tightening torque:

19 to 22 kg-m  
(137 to 159 ft-lb)

Preload (with oil seal):

11 to 17 kg-cm  
(9.5 to 15.0 in-lb)

At companion flange bolt hole:

3.1 to 4.9 kg  
(6.8 to 10.8 lb)

**Note:** If drive pinion lock nut is worn, replace it.

### ADJUSTMENT OF SIDE BEARING WASHERS

1. If the hypoid gear set, carrier, differential case or side bearing has been replaced with new part, adjust the side bearing preload with adjusting washer. The required thicknesses of the left and right washers can be obtained from the following formulas:

$$T_1 = (A - C + D - H') \times 0.01 + E + 2.05$$

$$T_2 = (B - D + H') \times 0.01 + F + G + 1.95$$

Where,

$T_1$  : Required thickness of left side washer (mm).

$T_2$  : Required thickness of right side washer (mm).

A & B : Figure marked on the gear carrier. See Figure PD-28.

C & D : Figure marked on the differential case. See Figure PD-29.

E & F : These are differences in width of left or right side bearing against the standard width (21.00 mm).

If bearing width is 20.82 mm, this figure will be as follows:

$$21.00 - 20.82 = 0.18 \text{ (mm)}$$

G : This is the difference in thickness of side spacer against the standard width (8.10 mm). If spacer width is 8.02 mm, this figure will be as follows.

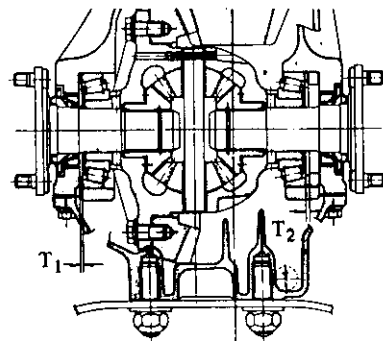
H' : Figure marked on ring gear. See Figure PD-30.

$$8.10 - 8.02 = 0.08 \text{ (mm)}$$

Figures for A, B, C and D are dimensional variations in a unit of 1/100 mm against each standard measurement.

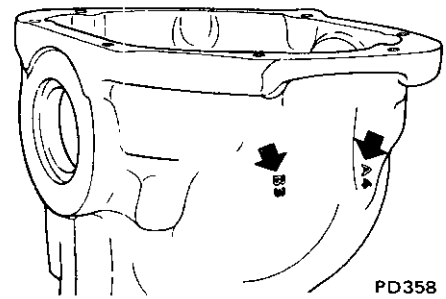
To measure width of side bearing, see differential case assembly procedure.

Before calculation, determine "G" value by measuring spacer thickness. If spacer is deformed or scratched, replace.



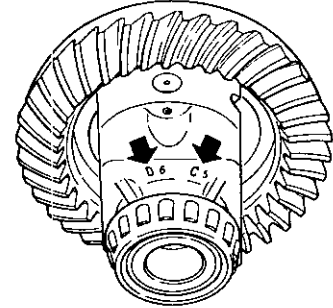
PD357

Fig. PD-27 Thickness of left and right washers



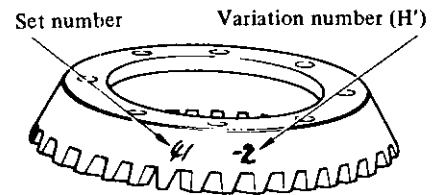
PD358

Fig. PD-28 A & B figure



PD359

Fig. PD-29 C & D figure



PD190

Fig. PD-30 Variation number on ring gear

Side bearing adjusting washer

Thickness mm (in)
2.00 (0.0787)
2.05 (0.0807)
2.10 (0.0827)
2.15 (0.0846)
2.20 (0.0866)
2.25 (0.0886)
2.30 (0.0906)
2.35 (0.0925)
2.40 (0.0945)
2.45 (0.0965)
2.50 (0.0984)
2.55 (0.1004)
2.60 (0.1024)

## Example of calculation

Ex. 1 ---

A = 4, B = 3, C = 5, D = 6  
 E = 0.18 mm, F = 0.15 mm  
 G = 0.08 mm, H' = -2

Left side:

$$\begin{aligned} T_1 &= (A - C + D - H') \times 0.01 + E \\ &\quad + 2.05 \\ &= [4 - 5 + 6 - (-2)] \times 0.01 \\ &\quad + 0.18 + 2.05 \\ &= 7 \times 0.01 + 0.18 + 2.05 \\ &= 0.07 + 0.18 + 2.05 \\ &= 2.30 \end{aligned}$$

The correct washer is 2.30 mm thick.

Right side:

$$\begin{aligned} T_2 &= (B - D + H') \times 0.01 + F + G \\ &\quad + 1.95 \\ &= [3 - 6 + (-2)] \times 0.01 + 0.15 \\ &\quad + 0.08 + 1.95 \\ &= (-5) \times 0.01 + 0.15 + 0.08 \\ &\quad + 1.95 \\ &= -0.05 + 0.15 + 0.08 + 1.95 \\ &= 2.13 \end{aligned}$$

The correct washer is 2.15 mm thick.

Ex. 2 ---

A = 6, B = 6, C = 5, D = 3  
 E = 0.17 mm, F = 0.22 mm  
 G = 0.10 mm, H' = 2

Left side:

$$\begin{aligned} T_1 &= (A - C + D - H') \times 0.01 + E \\ &\quad + 2.05 \\ &= (6 - 5 + 3 - 2) \times 0.01 + 0.17 \\ &\quad + 2.05 \\ &= 2 \times 0.01 + 0.17 + 2.05 \\ &= 0.02 + 0.17 + 2.05 \\ &= 2.24 \end{aligned}$$

The correct washer is 2.25 mm thick.

Right side:

$$\begin{aligned} T_2 &= (B - D + H') \times 0.01 + F + G \\ &\quad + 1.95 \\ &= (6 - 3 + 2) \times 0.01 + 0.22 \\ &\quad + 0.10 + 1.95 \\ &= 5 \times 0.01 + 0.22 + 0.10 \\ &\quad + 1.95 \\ &= 0.05 + 0.22 + 0.10 + 1.95 \\ &= 2.32 \end{aligned}$$

The correct washer is 2.30 mm thick.

**Note:** If values signifying A, B, C and D are not given, regard them as zero and compute.

After assembly, check to see that preload and backlash are correct. If not, readjust.

2. Install differential case assembly with side bearing outer races into carrier.

3. Insert left and right side bearing preload adjusting washers in place between side bearings and housing.

4. Drive in side bearing spacer between R.H. washer and housing with Side Bearing Spacer Drift KV38100600. See Figure PD-31. If too great or too small a driving force is required, check to be sure that calculation and side bearing width are correct.

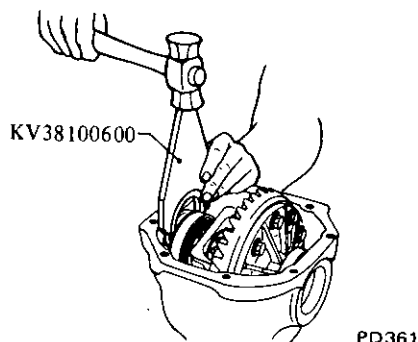


Fig. PD-31 Driving spacer into place

**Note:** When driving spacer into place, be careful not to tilt side bearing outer race to either side.

5. Align mark on bearing cap with that on carrier and install bearing cap on carrier. And tighten bolts to specified torque.

Tightening torque:  
 9 to 10 kg-m (65 to 72 ft-lb)

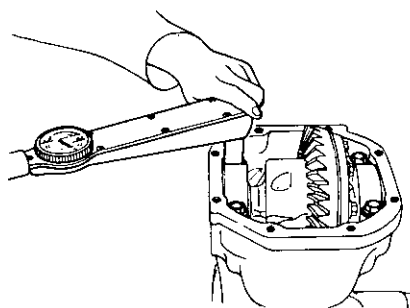


Fig. PD-32 Tightening side bearing cap

6. Measure ring gear-to-drive pinion backlash with a dial indicator and adjust it to 0.13 to 0.18 mm (0.0051 to 0.0071 in). See Figure PD-33.

If it is below the specified value, replace left washer with a thinner one and right washer with a thicker one. If it is over it, replace left washer with a thicker one and right washer with a thinner one.

**Note:** To maintain correct preload at all times, do not change total thickness of washers.

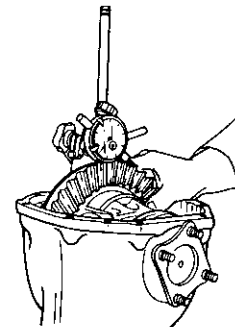


Fig. PD-33 Measuring the backlash of ring gear and pinion

Incidentally a decrease or increase in thickness of washers causes change in ring gear-to-pinion backlash.

Thus, check for proper backlash.

7. Check and adjust the tooth contact pattern of ring gear and drive pinion.

(1) Thoroughly clean ring and drive pinion gear teeth.

(2) Paint ring gear teeth lightly and evenly with a mixture of powdered red lead and oil of a suitable consistency to produce a contact pattern.

(3) Rotate pinion through several revolutions in the forward and reverse direction until a definite contact pattern is developed on ring gear.

(4) If contact pattern is incorrect, readjust thickness of adjusting washer.

Be sure to completely wipe off red lead upon completion of adjustment.

(5) Incorrect teeth contact pattern can be adjusted in the following manner.

### Contact pattern

#### a. Heel contact

To correct, increase thickness of pinion height adjusting washer in order to bring drive pinion close to ring gear. See Figure PD-34.

# Propeller Shaft & Differential Carrier

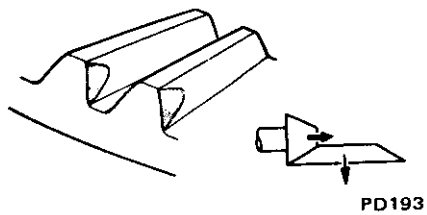


Fig. PD-34 Heel contact

## b. Toe contact

To correct, reduce thickness of pinion height adjusting washer in order to make drive pinion move away from ring gear. See Figure PD-35.

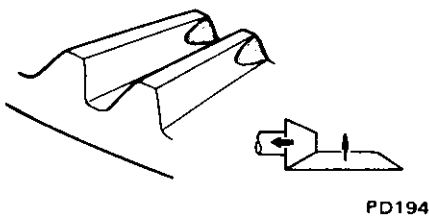


Fig. PD-35 Toe contact

## c. Flank contact

Adjust in the same manner as in b. See Figure PD-36.

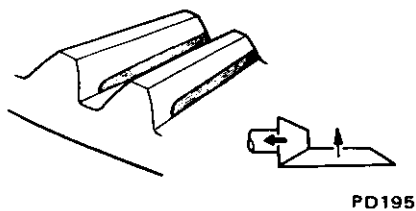


Fig. PD-36 Flank contact

## d. Face contact

Adjust in the same manner as in a. See Figure PD-37.

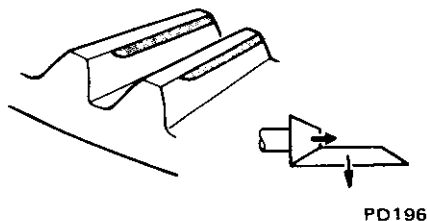


Fig. PD-37 Face contact

## e. Correct tooth contact

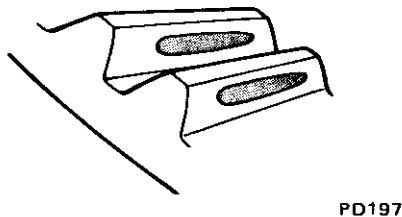


Fig. PD-38 Correct contact

**Note:** Change in thickness of adjusting washer is accompanied by change in backlash. Check it when installing gear.

## 8. Install rear cover.

Tightening torque:  
1.6 to 2.4 kg-m  
(12 to 17 ft-lb)

## 9. Apply grease to cavity at sealing lips of oil seal.

Press side oil seal into carrier with Gear Carrier Side Oil Seal Drift KV38100200.

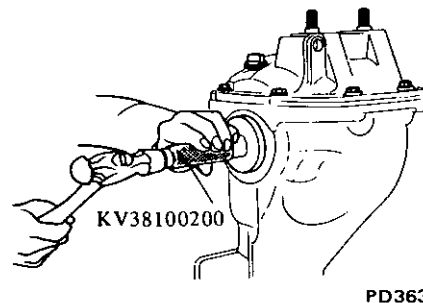


Fig. PD-39 Installing side oil seal

10. Install side flange on carrier. Engage spline in side flange with that in side gear and apply light hammer blows until side flange circlip is fitted into groove in side flange.

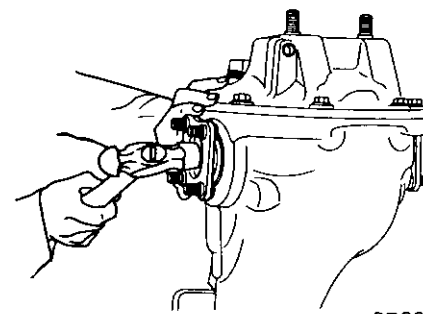


Fig. PD-40 Installing side flange

## Notes:

- The length of side flanges differs for their locations. Install the shorter flange on the left side (ring gear) and the longer one on the right side.
- Be careful not to scratch oil seal lips with side flange.

## INSTALLATION

Install in the reverse order of removal. Refer to Section RA for Installation.

**Note:** Oil quantity: 1.3 liters  
(2  $\frac{3}{4}$  U.S. pt., 2  $\frac{1}{4}$  Imp. pt., use API GL-5).

## REPLACEMENT OF OIL SEALS

Replacement of oil seals with differential gear carrier assembly installed on the car.

## FRONT OIL SEAL

Procedures are as follows:

- Drain gear oil.
- Raise the rear end of car and support it with safety stands.
- Remove insulator, exhaust tube and main muffler mounting bolts to free them from car body.
- Detach propeller shaft.
- Remove bolts securing rear stabilizer to front mounting, and free stabilizer from car body.
- Remove drive pinion nut, holding companion flange with Drive Pinion Flange Wrench ST31530000.
- Extract companion flange with a suitable puller.
- Remove oil seal with Gear Carrier Oil Seal Puller ST33290001.
- Set new oil seal in position with Gear Carrier Front Oil Seal Drift KV38100500. Apply grease to cavity between seal lips.
- Fit companion flange on drive pinion, and secure it in position by tightening nut to specified torque confirming the following preload, with Drive Pinion Flange Wrench ST31530000.

## Propeller Shaft & Differential Carrier

---

Tightening torque of pinion nut:

19 to 22 kg-m  
(137 to 159 ft-lb)

Pinion bearing preload (with oil seal):

11 to 17 kg-cm  
(9.5 to 15.0 in-lb)

At companion flange bolt hole:

3.1 to 4.9 kg  
(6.8 to 10.8 lb)

11. Reinstall rear stabilizer, propeller shaft and muffler in reverse order of removal, and fill up gear oil.

### **SIDE OIL SEAL**

Side oil seal is replaced as follows:

1. Disconnect drive shaft on the gear carrier side.
2. Drive side flange out with pry bar.

**Note: Hold side bearing flange with hand to prevent it from jumping out of carrier.**

3. Remove oil seal.
4. Set in new oil seal with Gear Carrier Side Oil Seal Drift KV38100200.

**Note: Apply grease to cavity between oil seal lips.**

5. Install side flange on carrier. Engage spline in side flange with that in side gear and apply light hammer blows until side flange circlip is fitted into groove in side flange.
6. Join drive shaft with side flange and tighten nuts to specified torque.

Tightening torque:

5.0 to 6.0 kg-m  
(36 to 43 ft-lb)

**Note: Be careful not to scratch oil seal lips with side flange.**

## SERVICE DATA AND SPECIFICATIONS

Type .....	R200		
Gear ratio (number of teeth) .....	3.545 (39/11)		
Drive pinion preload adjusted by .....	Washer		
<b>Drive pinion</b>			
Preload	kg-cm (in-lb)		
(without oil seal) .....	10 to 13 (8.7 to 11.3)		
(with oil seal) .....	11 to 17 (9.5 to 15.0)		
At companion flange bolt hole	kg (lb)		
(without oil seal) .....	2.9 to 3.7 (6.4 to 8.2)		
(with oil seal) .....	3.1 to 4.9 (6.8 to 10.8)		
Thickness of pinion height adjusting washer	mm (in) .....	3.09 (0.1217)	3.39 (0.1335)
		3.12 (0.1228)	3.42 (0.1346)
		3.15 (0.1240)	3.45 (0.1358)
		3.18 (0.1252)	3.48 (0.1370)
		3.21 (0.1264)	3.51 (0.1382)
		3.24 (0.1276)	3.54 (0.1394)
		3.27 (0.1287)	3.57 (0.1406)
		3.30 (0.1299)	3.60 (0.1417)
		3.33 (0.1311)	3.63 (0.1429)
		3.36 (0.1323)	3.66 (0.1441)
			0.05 (0.0020)
			0.07 (0.0028)
Length of pinion bearing adjusting spacer	mm (in) .....	55.10 (2.1693)	
		55.40 (2.1811)	
		55.70 (2.1929)	
		56.00 (2.2047)	
		56.25 (2.2146)	
Thickness of pinion bearing adjusting washer	mm (in) .....	3.80 to 3.82 (0.1496 to 0.1504)	
		3.82 to 3.84 (0.1504 to 0.1512)	
		3.84 to 3.86 (0.1512 to 0.1520)	
		3.86 to 3.88 (0.1520 to 0.1528)	
		3.88 to 3.90 (0.1528 to 0.1535)	
		3.90 to 3.92 (0.1535 to 0.1543)	
		3.92 to 3.94 (0.1543 to 0.1551)	
		3.94 to 3.96 (0.1551 to 0.1559)	
		3.96 to 3.98 (0.1559 to 0.1567)	
		3.98 to 4.00 (0.1567 to 0.1575)	
		4.00 to 4.02 (0.1575 to 0.1583)	
		4.02 to 4.04 (0.1583 to 0.1591)	
		4.04 to 4.06 (0.1591 to 0.1598)	
		4.06 to 4.08 (0.1598 to 0.1606)	
		4.08 to 4.10 (0.1606 to 0.1614)	

## Propeller Shaft & Differential Carrier

---

### Side gear and pinion mate

Thickness of side gear thrust washer	mm (in) .....	0.75 to 0.80 (0.0295 to 0.0315) 0.80 to 0.85 (0.0315 to 0.0335) 0.85 to 0.90 (0.0335 to 0.0354)
--------------------------------------	---------------	---

Pinion mate-to-side gear backlash  
(or clearance between side gear and thrust washer)

mm (in) .....	0.1 to 0.2 (0.0039 to 0.0079)
---------------	-------------------------------

### Ring gear

Ring gear-to-drive pinion backlash	mm (in) .....	0.13 to 0.18 (0.0051 to 0.0071)
------------------------------------	---------------	---------------------------------

Thickness of side bearing adjusting washer

mm (in) .....	2.00 (0.0787) 2.05 (0.0807) 2.10 (0.0827) 2.15 (0.0846) 2.20 (0.0866) 2.25 (0.0886) 2.30 (0.0906) 2.35 (0.0925) 2.40 (0.0945) 2.45 (0.0965) 2.50 (0.0984) 2.55 (0.1004) 2.60 (0.1024)
---------------	---

Side bearing standard width	mm (in) .....	21.00 (0.8268)
-----------------------------	---------------	----------------

Oil level (in normal curb weight condition) ..... at the lower edge of the filler plug

Oil capacity (about) liter (U.S.pt., Imp.pt.) ..... 1.3 (2  $\frac{3}{4}$ , 2  $\frac{1}{4}$ )

### Adjusting methods

Variation numbers expressed by .....	mm (x 0.01)
Dummy shaft .....	Use
Drive pinion adjusting formula .....	$T = N - [(H - D') \times 0.01] + 3.00$
Side bearing adjusting formula .....	$T_1 = (A - C + D - H') \times 0.01 + E + 2.05$ $T_2 = (B - D + H') \times 0.01 + F + G + 1.95$

### Tightening torque

kg-m (ft-lb)

Drive pinion nut .....	19 to 22	(137 to 159)
Ring gear bolt [using Locktite (stud lock) or equivalent] .....	6 to 7	(43 to 51)
Side bearing cap bolt .....	9 to 10	(65 to 72)
Rear cover fixing bolt .....	1.6 to 2.4	(12 to 17)
Rear cover to rear mounting member lock nut .....	7.5 to 9.5	(54 to 69)
Differential carrier to front mounting Insulator fixing bolt .....	6 to 8	(43 to 58)
Companion flange to propeller shaft fixing bolt .....	4.0 to 4.5	(29 to 33)
Side flange to drive shaft fixing nut .....	5.0 to 6.0	(36 to 43)

## TROUBLE DIAGNOSES AND CORRECTIONS

When gear carrier is suspected causing noise, it is advisable to make a thorough test to determine whether the noise originates in the tires, road

surface, exhaust, universal joint, propeller shaft, wheel bearings, engine, transmission, or gear carrier. Noise which originates in other places cannot

be corrected by adjustment or replacement of parts in the rear axle assembly.

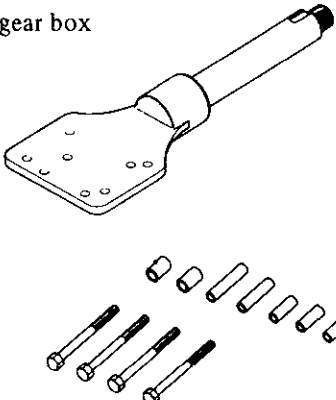
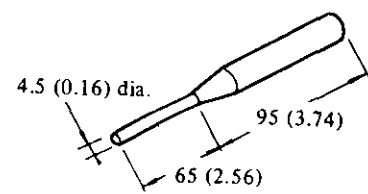
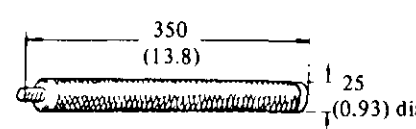


Condition	Probable cause	Corrective action
Noise during driving and/or coasting	<p>Shortage of oil.</p> <p>Incorrect tooth contact between ring gear and drive pinion.</p> <p>Incorrect backlash between ring gear and drive pinion.</p> <p>Seized or damaged ring gear and drive pinion.</p> <p>Seized, damaged or broken drive pinion bearing.</p> <p>Seized, damaged or broken side bearing.</p> <p>Loose bolts or nuts fixing ring gear, side bearing caps, etc.</p>	<p>Supply gear oil. Rebuild gear carrier if necessary.</p> <p>Adjust tooth contact or replace the hypoid gear set.</p> <p>Adjust backlash or replace the hypoid gear set if necessary.</p> <p>Replace the hypoid gear set.</p> <p>Replace the pinion bearing and faulty parts.</p> <p>Replace the side bearing and faulty parts.</p> <p>Tighten to specified torque, and replace faulty parts.</p>
Noise on turns.	<p>Seized, damaged or broken side and pinion gears.</p> <p>Seized, damaged or broken side gear and pinion thrust washer.</p> <p>Pinion gears too tight on their shaft.</p> <p>Interference between side flange and differential case.</p>	<p>Replace faulty parts.</p> <p>Replace faulty parts.</p> <p>Replace faulty parts.</p> <p>Repair the part responsible for interference, or replace the side flange and differential case.</p>
Knocking sound during starting or gear shifting	<p>Excessive backlash.</p> <p>Incorrect backlash of ring gear-to-drive pinion or side gear-to-pinion gear.</p> <p>Worn gears or case.</p> <p>Worn side flange and side gear spline.</p> <p>Pinion bearing under preload.</p> <p>Loose drive pinion nut.</p> <p>Loose bolts or nuts fixing ring gear, side bearing caps, etc.</p>	<p>Adjust backlash.</p> <p>Replace worn parts.</p> <p>Replace worn parts.</p> <p>Adjust preload.</p> <p>Repair or replace.</p> <p>Tighten or replace if necessary.</p>
Seizure or breakage.	<p>Shortage of oil or use of unsuitable oil.</p> <p>Excessively small backlash.</p> <p>Incorrect adjustment of bearings or gears.</p> <p>Severe service due to excessive loading, improper use of clutch.</p> <p>Loose bolts and nuts, such as ring gear bolts.</p>	<p>Replace faulty parts.</p> <p>Adjust backlash and replace as required.</p> <p>Replace faulty parts.</p> <p>Replace faulty parts.</p> <p>Replace faulty parts.</p>



## Propeller Shaft & Differential Carrier

Condition	Probable cause	Corrective action
Oil leakage.	<p>Worn-out, damaged or improperly driven front oil seal, or bruised, dented or abnormally worn slide face of companion flange.</p> <p>Worn, damaged or improperly driven side oil seal, or bruised, dented or abnormally worn slide flange.</p> <p>Loose rear cover bolts.</p> <p>Worn rear cover gasket.</p> <p>Loose filler or drain plug.</p> <p>Clogged or damaged breather.</p>	<p>Replace the faulty oil seal. Ammend the affected flange with sandpaper or replace if necessary.</p> <p>Treat as above.</p> <p>Tighten the bolts to specified torque.</p> <p>Replace the faulty gasket with new one.</p> <p>Tighten the plug.</p> <p>Repair or replace.</p>

**SPECIAL SERVICE TOOLS**

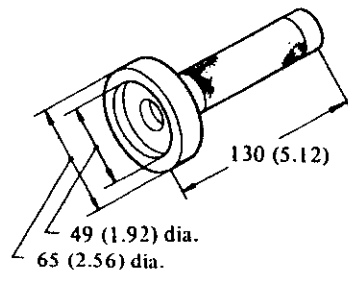
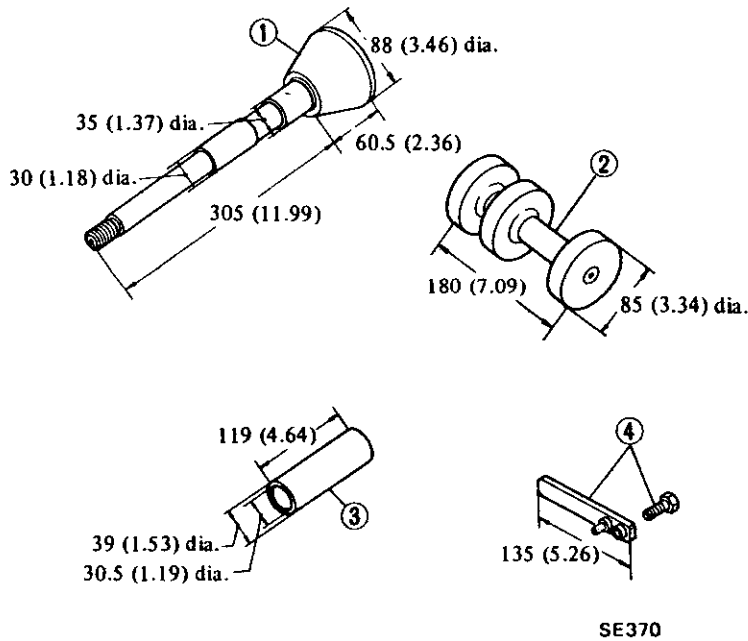
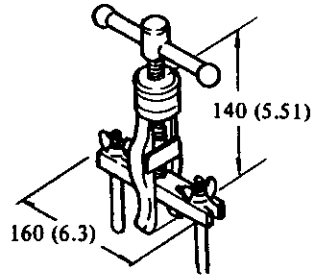
No.	Tool number & tool name	Description  Unit: mm (in)	For use on	Reference page or Figure No.
1.	<b>ST06270002</b>  Gear carrier attachment	This attachment is used with engine stand (ST0501S000). Strut and steering gear box mounting holes are provided with engraved identification marks.  "D" for gear carrier "S" for strut "G" for steering gear box   SE346	S30 710(SSS) 610 KC130 GC110	Fig. PD-3
2.	<b>ST23550001</b>  Solid punch	This tool is used to drive out lock pin of pinion mate shaft.  	S30 710 610(All) C110 (All) C130 KC130 230 B120 620	Page PD-6
3.	Drive pinion outer race drift set  ① <b>ST30611000</b> Bar  ② <b>ST30613000</b> Adapter (front)  ③ <b>ST30621000</b> Adapter (rear)	These tools are used when assembling drive pinion bearing outer race.  ①   ②   ③ 	RS30 C130 230  S30 GC110 C130 KC130 230	Page PD-8

## Propeller Shaft & Differential Carrier

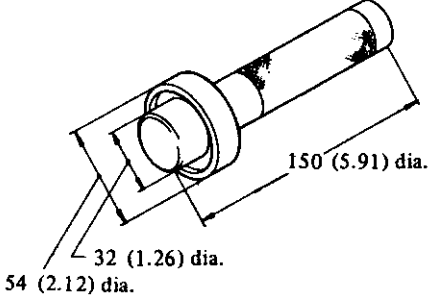
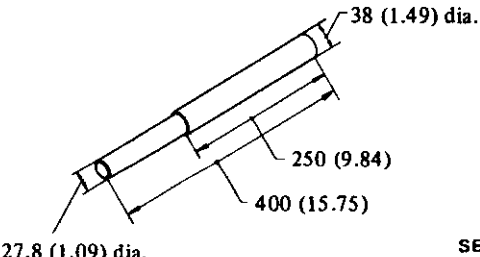
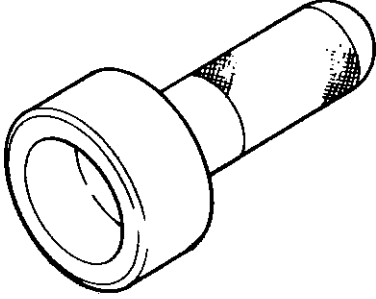
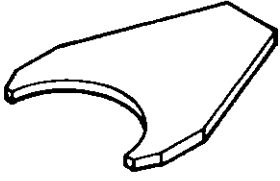
No.	Tool number & tool name	Description  Unit: mm (in)	For use on	Reference page or Figure No.
4.	<b>ST3090S000</b>  Drive pinion rear bearing inner race puller set  ① ST30031000 Puller        ② ST30901000 Base	This assembly clamps rear bearing inner race and pulls it out by a hydraulic press. Before insertion, place another drift facing inner race, and then press-fit.  	S30 GC110 C130 KC130 230 B120 T20 E20	Fig. PD-14 Fig. PD-26
5.	<b>ST3127S000</b>  Preload gauge  ① GG91030000 Torque wrench ② HT62940000 Socket adapter ③ HT62900000 Socket adapter	This tool is used to measure pinion bearing preload.  	All models	Fig. PD-5 Fig. PD-22
6.	<b>ST31520000</b>  Drive pinion flange wrench	This tool is used to hold the flange to ease the operation of tightening and loosening drive pinion nut.  	S30	Fig. PD-10
7.	<b>ST3306S001</b>  Diff. side bearing puller set  ① ST33051001 Body ② ST33061000 Adapter	This tool is used to pull out side bearing.  	S30 710(SSS) 610 V610 GC110 C130 KC130 230 620	Fig. PD-16 Fig. PD-20

## Propeller Shaft & Differential Carrier

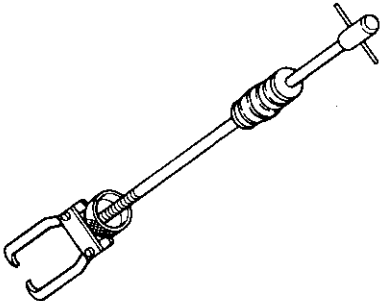
No.	Tool number & tool name	Description  Unit: mm (in)	For use on	Reference page or Figure No.
8.	<b>ST33290001</b>  Gear carrier oil seal puller	This tool is used to pull out oil seal from gear carrier. This tool also enables removal of side bearing outer race from retainer without damaging it. (models R160 and R180 only)	All models	Fig. PD-12
9.	<b>KV381001S0</b> Drive pinion setting-gauge set  ① KV38100110 Dummy shaft  ② KV38100120 Height gauge  ③ KV38100130 Collar  ④ KV38100140 Stopper	These tools are used to adjust the pinion height.	S30	Page PD-8 Fig. PD-21 Fig. PD-23 Fig. PD-24
10.	<b>KV38100200</b>  Gear carrier side oil seal drift	This tool is used when driving in side oil seal. Using this drift completely eliminates the possibility of damaging oil seal.	S30	Fig. PD-39



Propeller Shaft & Differential Carrier

No.	Tool number & tool name	Description  Unit: mm (in)	For use on	Reference page or Figure No.
11.	KV38100300  Diff. side bearing drift	Use of this tool makes it possible to drive in bearing without damaging it.    SE372	S30	Fig. PD-20
12.	KV38100401  Pilot bearing drift	This tool is used to pull out front pilot bearing. After drive pinion has been pulled, insert this tool from behind the gear carrier case, and apply it onto pinion front bearing inner race. Then press out pinion front bearing inner race, front pilot bearing spacer and pilot bearing.    SE373	S30	Fig. PD-13
13.	KV38100500  Gear carrier front oil seal drift	This tool is used to drive in front oil seal without damaging it.    SE374	S30	Page PD-10
14.	KV38100600  Side bearing spacer drift	This tool is used to drive in side bearing spacer without damaging it.    SE375	S30	Fig. PD-31

## Propeller Shaft & Differential Carrier

No.	Tool number & tool name	Description Unit: mm (in)	For use on	Reference page or Figure No.
15.	HT72400000 Slide hammer	This tool is used to lift out differential case assembly.    SE384	All models	Fig. PD-9



509 Debby Lane  
Adamsville, AL 35005  
<http://www.zcarcreations.com>  
[cborden@zcarcreations.com](mailto:cborden@zcarcreations.com)

## **NISSAN FACTORY SERVICE MANUAL CDROM END-USER LICENSE AGREEMENT**

**NOTICE TO USER:** THIS IS A CONTRACT. BY PURCHASING AND USING THE SERVICE MANUAL ON CDROM, YOU ACCEPT ALL THE TERMS AND CONDITIONS OF THIS AGREEMENT.

This End User License Agreement accompanies the Service Manual on CDROM product and related explanatory materials. Please read this Agreement carefully. By purchasing and using the Service Manual on CDROM, you are implying that you have carefully read, agree with, and will adhere to the conditions set forth in this agreement. If you do not wish to accept the terms of this End User Agreement please do not use the Service Manual on CDROM. You will not be permitted to use the Service Manual on CDROM without consenting to this end user agreement.

Upon your acceptance of this Agreement, Z Car Creations, LLC grants to you a nonexclusive license to use the Service Manual on CDROM, provided that you agree to the following:

### **USE OF SOFTWARE**

You may install the contents of the CD on a hard disk or other storage device for personal use only. Each Service Manual on CDROM comes with a single user license. Under no circumstances should the contents of the Service Manual CDROM be placed on a server for purposes of distributing or allowing access to the material over a network.

### **COPYRIGHT AND TRADEMARK RIGHTS**

The Service Manual CDROM is owned by Z Car Creations, LLC and its structure and organization, all graphics and coding are considered intellectual property of Z Car Creations, LLC. The manual content itself is property of Nissan Motors. The Service Manual on CDROM is also protected by United States Copyright Law and International Treaty provisions. This Agreement does not grant you any intellectual property or resale rights to the Service Manual CDROM.

### **RESTRICTIONS**

You agree not to modify, adapt, translate, reverse engineer, decompile or disassemble the PDF file on the Service Manual CDROM. The Service Manual on CDROM is licensed and distributed by Z Car Creations, LLC for single user utilization of its contents only. Licensed users will be permitted to use the contents of the Service Manual CDROM for multimedia presentation to an audience from a single machine using a large display or projection device but the Service Manual CDROM may not otherwise be distributed, sold to or made accessible to multiple users.

### **NO WARRANTY**

The software is being delivered to you AS IS and Z Car Creations, LLC makes no warranty as to its use or performance. Z CAR CREATIONS, LLC DOES NOT AND CANNOT WARRANT THE PERFORMANCE OR RESULTS YOU MAY OBTAIN BY USING THE SERVICE MANUAL CDROM OR DOCUMENTATION, NOR MAKES ANY WARRANTIES, EXPRESS OR IMPLIED, AS TO NONINFRINGEMENT OF THIRD-PARTY RIGHTS, MERCHANTABILITY, OR FITNESS FOR ANY PARTICULAR PURPOSE. IN NO EVENT WILL Z CAR CREATIONS, LLC BE LIABLE TO YOU FOR ANY CONSEQUENTIAL, INCIDENTAL, OR SPECIAL DAMAGES FOR ANY REASON.



509 Debby Lane  
Adamsville, AL 35005  
<http://www.zcarcreations.com>  
[cborden@zcarcreations.com](mailto:cborden@zcarcreations.com)

#### **GOVERNING LAW AND GENERAL PROVISIONS**

This Agreement will be governed by the laws of the State of Alabama, USA, excluding the application of its conflicts of law rules. This Agreement will not be governed by the United Nations Convention on Contracts for the International Sale of Goods, the application of which is expressly excluded. If any part of this Agreement is found void and unenforceable, it will not affect the validity of the balance of the Agreement, which shall remain valid and enforceable according to its terms. You agree that the Service Manual on CDROM will not be shipped, transferred or exported into any country or used in any manner prohibited by the United States Export Administration act or any other export laws, restrictions or regulations. This Agreement shall automatically terminate upon failure by you to comply with its terms. This Agreement may only be modified in writing signed by and authorized officer for Z Car Creations, LLC.

Craig Borden  
Z Car Creations, LLC  
509 Debby Lane  
Adamsville, AL 35005  
USA

**YOUR ACCEPTANCE OF THE FOREGOING AGREEMENT IS IMPLIED UPON PURCHASING AND USING THE SERVICE MANUAL CDROM.**