

## SERVICE INDICATOR & WARNING LIGHTS

1990 Nissan 240SX

1989-92 MAINTENANCE  
Nissan Service Indicator & Warning Lights

240SX

### SERVICE INDICATOR & WARNING LIGHTS

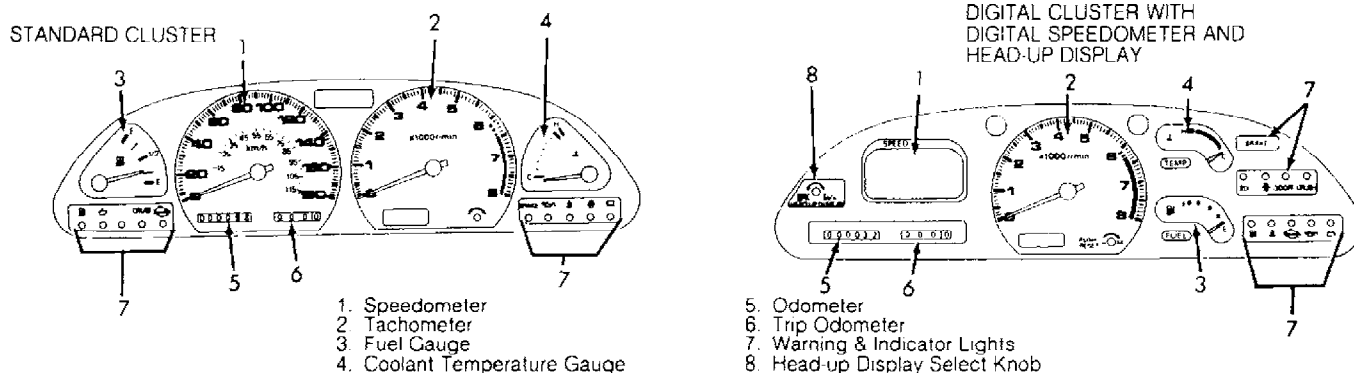


Fig. 1: Dash Gauges & Warning Lights  
Courtesy of Nissan Motor Co., U.S.A.

### ENGINE TEMPERATURE GAUGE

Indicates engine coolant temperature. Gauge should register below the HOT range while driving.

### SEAT BELT WARNING LIGHT & CHIME

Light flashes on and off and chime sounds for about 6 seconds whenever ignition key is turned to ON position, unless driver's seat belt is securely fastened.

### DOOR OPEN WARNING LIGHT

Light comes on when any of the doors is not closed securely while the ignition key is in ON position.

### OIL PRESSURE WARNING LIGHT

If light comes on while driving, oil pressure is low. If this occurs, stop vehicle immediately and check oil level. If oil level is okay but light remains on, have system serviced as soon as possible.

### CHECK ENGINE WARNING LIGHT (CALIFORNIA MODELS ONLY)

If CHECK light comes on while engine is running, a problem in the emission control system is indicated. Continued operation without checking the system may result in damage to engine emission components. Have vehicle serviced as soon as possible.

### CHARGE WARNING LIGHT

Indicates that the battery is not charging properly. Check alternator belt tension. If belt tension is okay but light remains on, have the system serviced as soon as possible.

## **BRAKE SYSTEM WARNING LIGHT**

Light will come on with the parking brake fully or partially engaged. If light remains on after parking brake is disengaged, or comes on at any other time, it indicates low brake fluid level in the master cylinder reservoir or the parking brake switch may be damaged. Add brake fluid as necessary and have the system checked and serviced immediately. DO NOT continue driving with BRAKE light illuminated.

## **ANTI-LOCK BRAKE WARNING LIGHT**

Light is designed to come on with the ignition switch in the ON position and should go out shortly after engine is started. If light remains on or comes on while driving, it indicates a potential problem in the system and should be inspected as soon as possible. The regular braking system will still operate normally but without anti-lock function.

## **SUPER HICAS WARNING LIGHT (IF EQUIPPED)**

If light comes on while engine is running, it indicates either low power steering fluid or a malfunction of the SUPER HICAS portion of the steering system. If fluid level is adequate but light remains illuminated, have system checked.

## **CRUISE INDICATOR**

Light comes on as long as vehicle speed is being controlled by the cruise control system.

## **OVERDRIVE OFF INDICATOR**

O/D OFF light comes on when the overdrive switch is in the OFF position.

## **LOW FUEL WARNING LIGHT**

Light indicates that the fuel tank is almost empty. Refill as soon as possible.