

ELECTRICAL COMPONENT LOCATOR

1990 Nissan 240SX

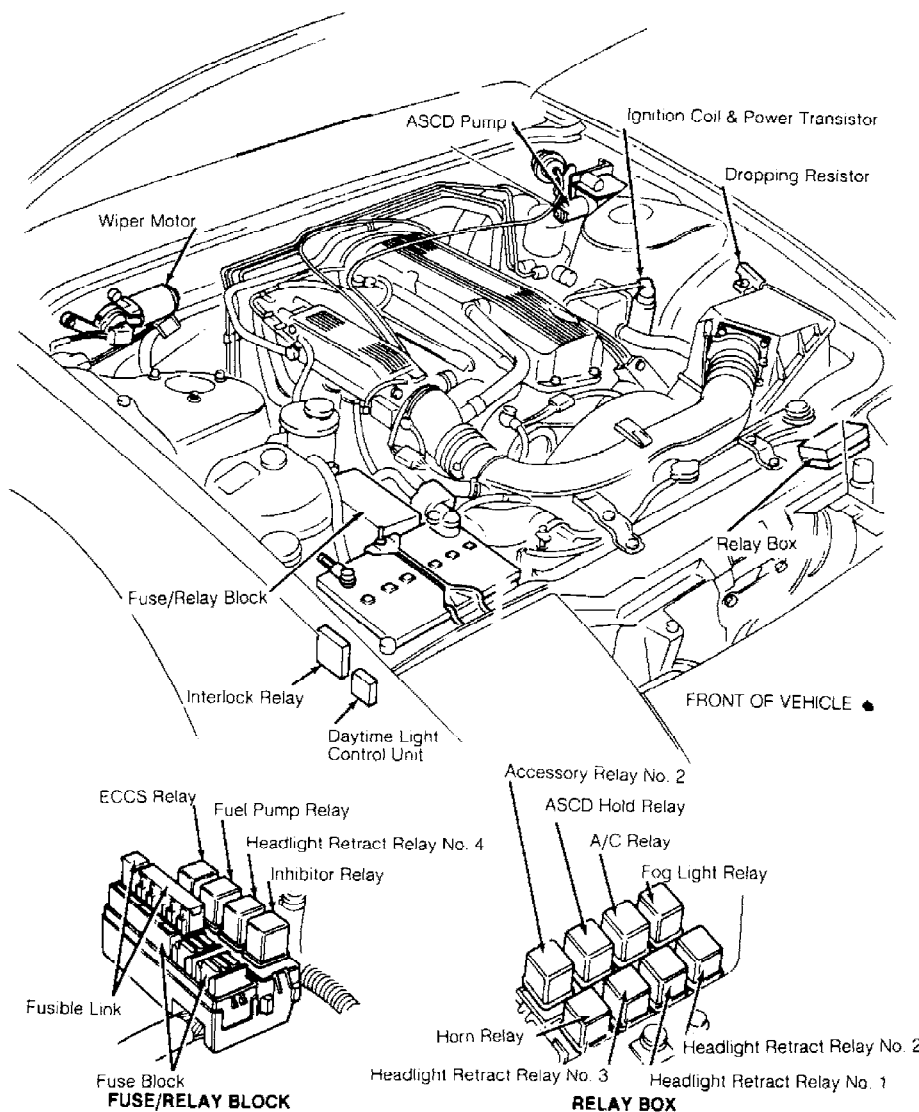
1989 NISSAN
 ELECTRIC COMPONENT LOCATOR

240SX

BUZZERS, RELAYS & TIMERS

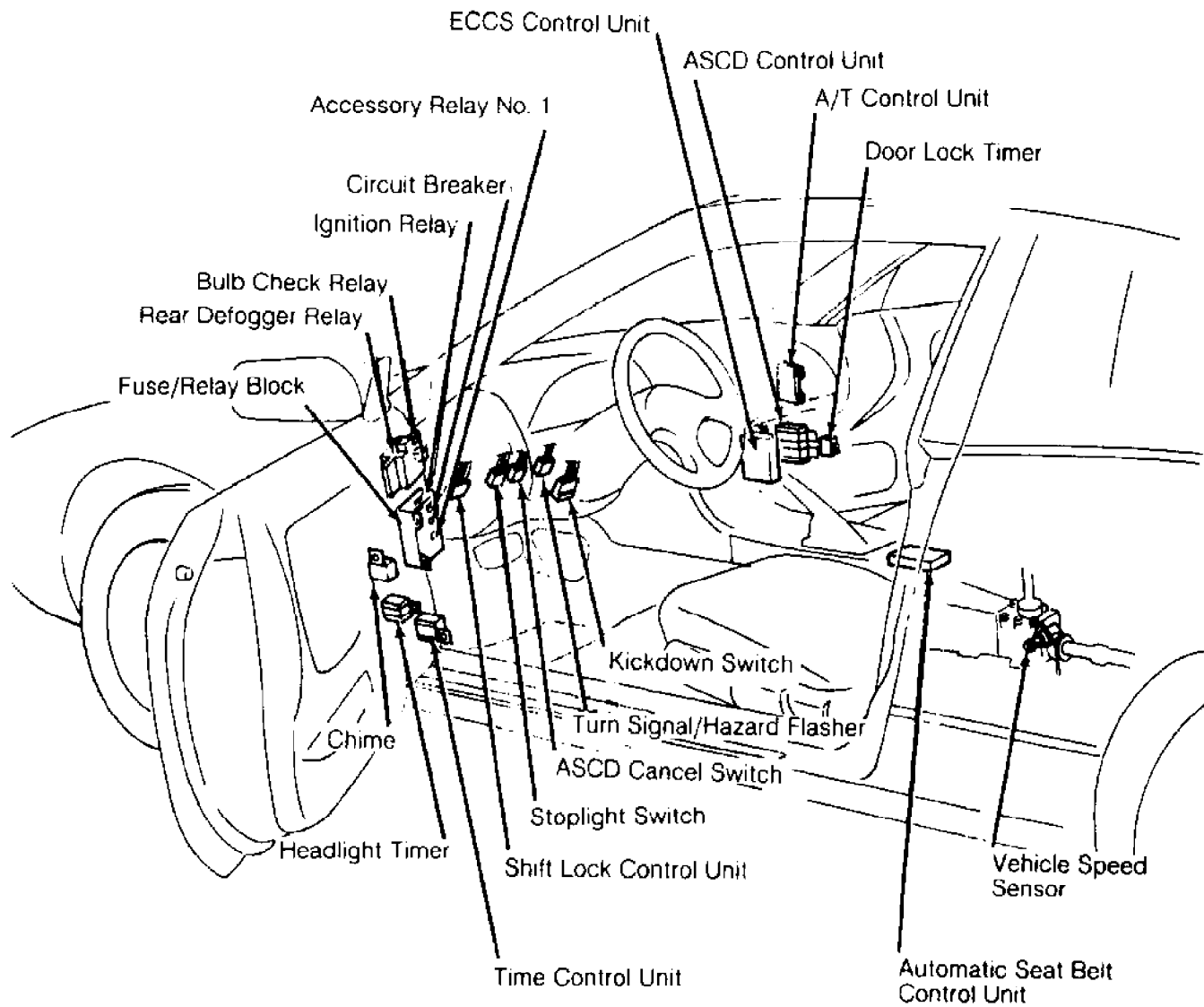
Component

Component Location



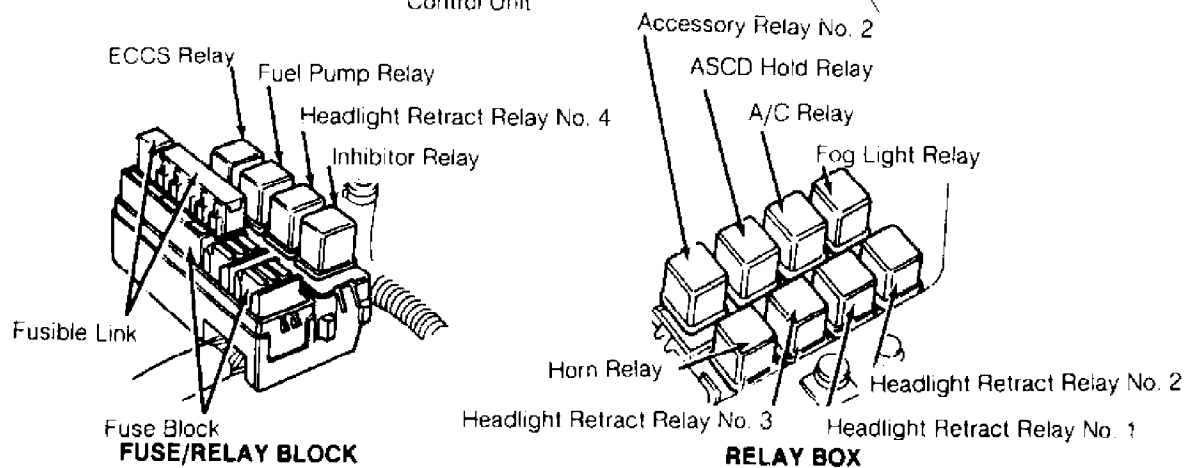
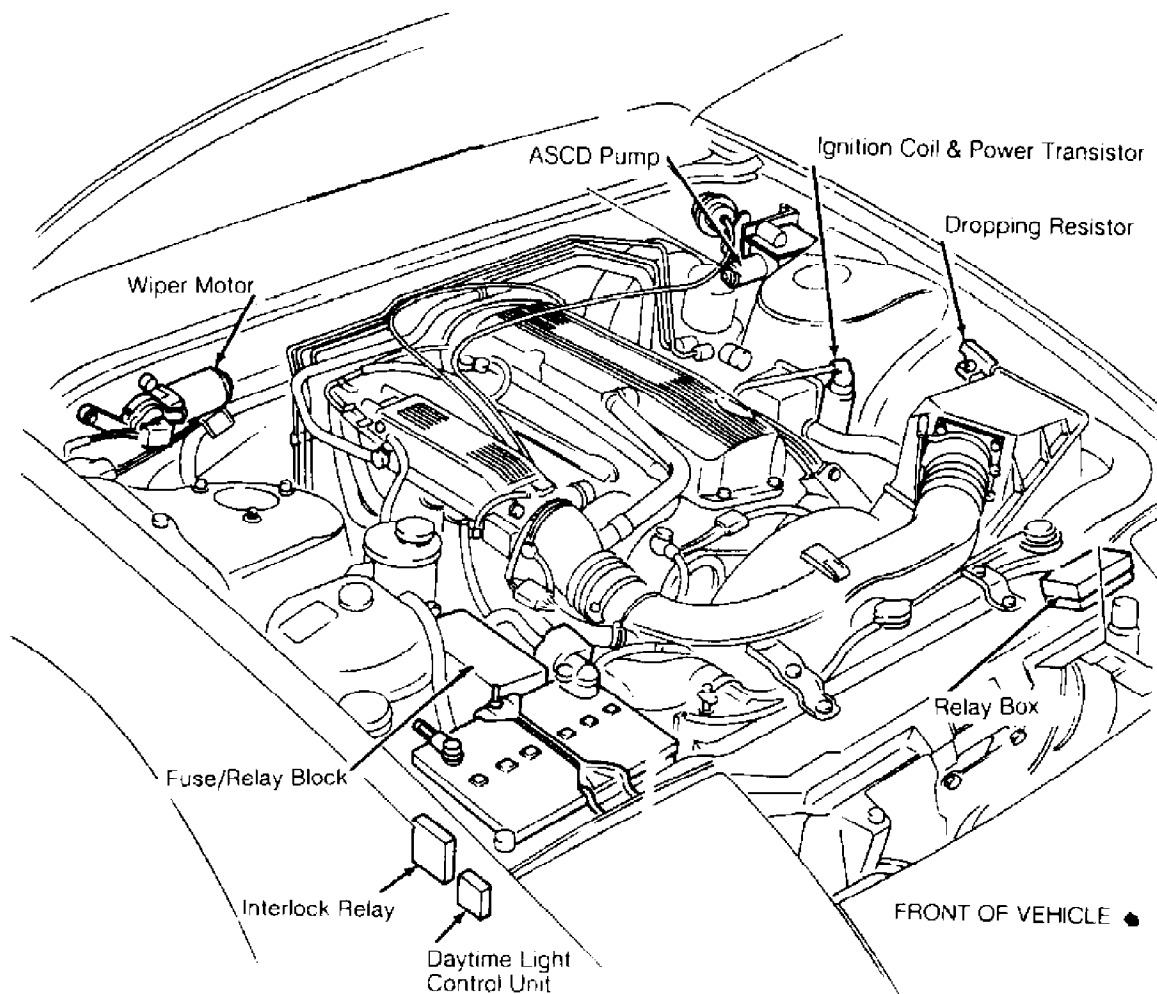
A/C Relay (Brown)

In underhood relay box, behind left headlight.



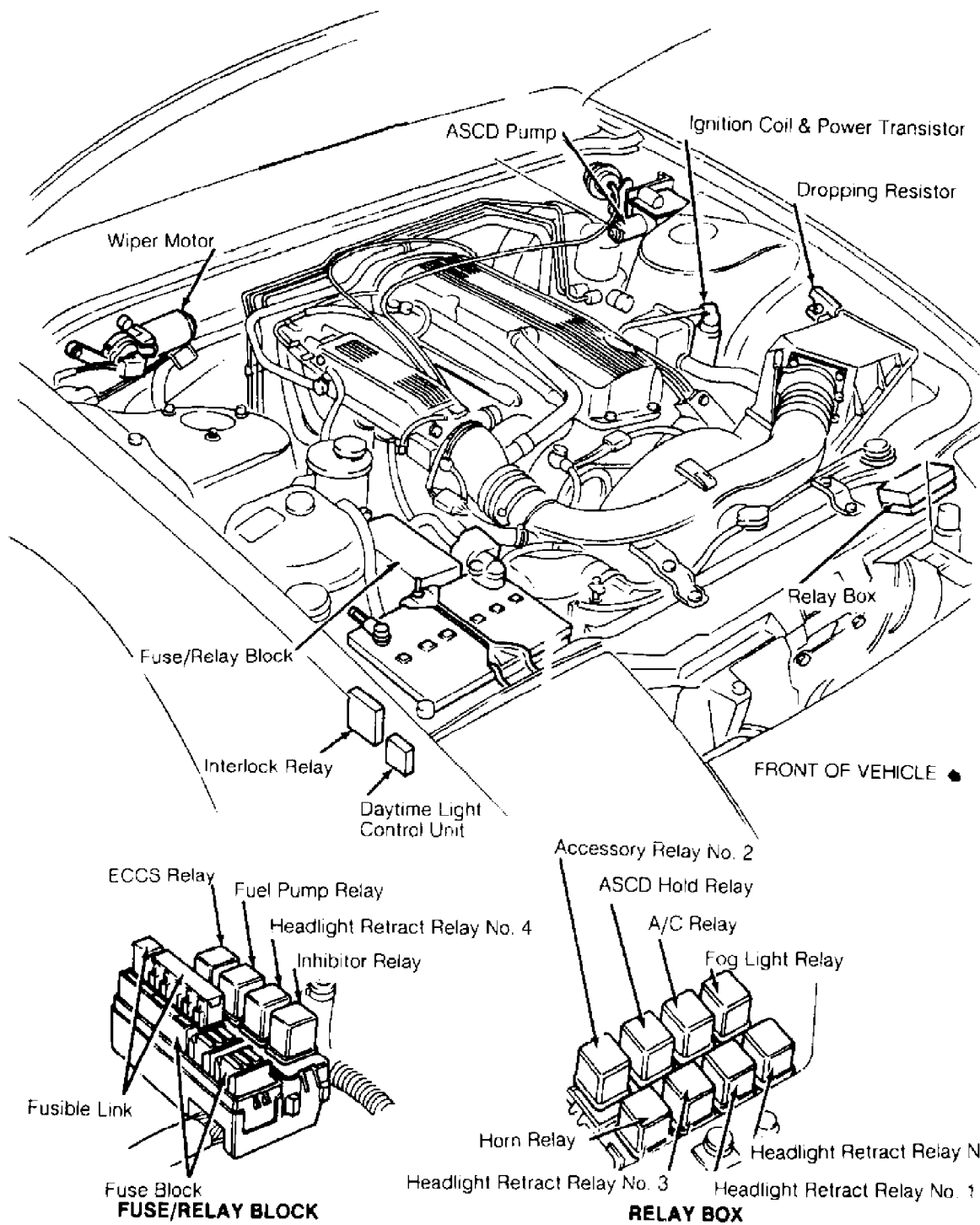
Accessory Relay No. 1 (Blue)

On fuse/relay block, under left side of dash.



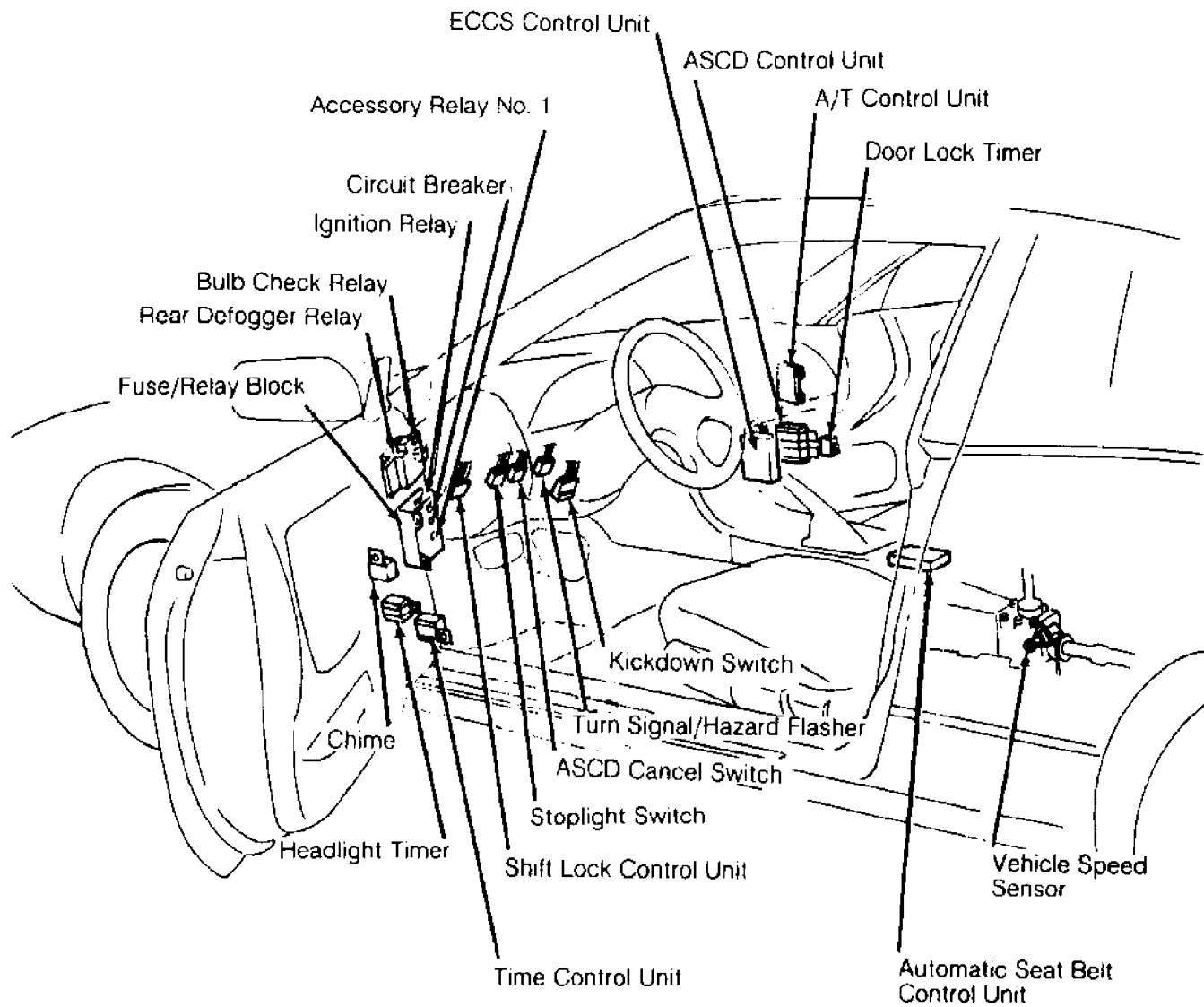
Accessory Relay No. 2 (Blue)

In underhood relay box.



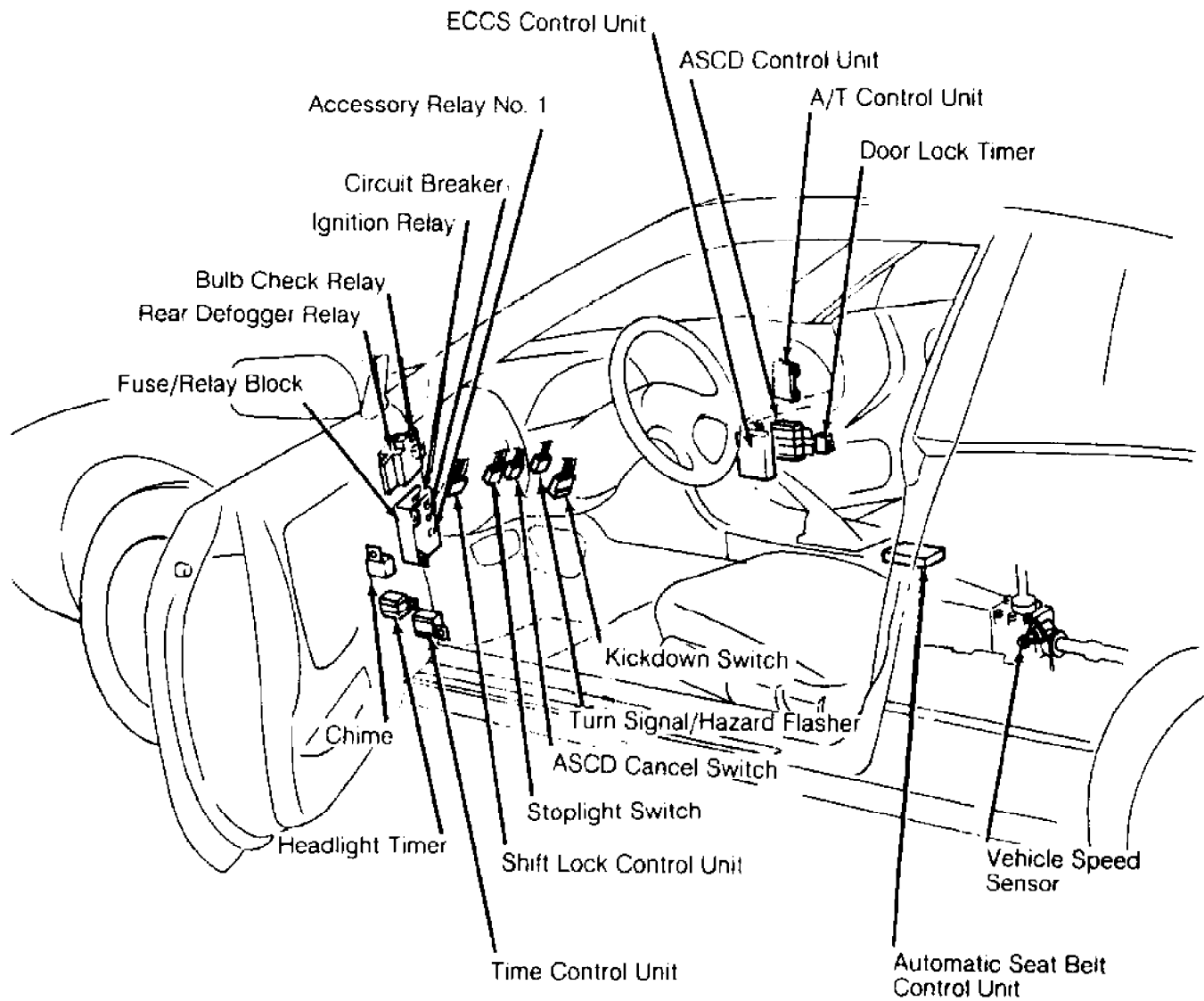
Automatic Speed Control Device
 (ASCD) Hold Relay (Blue)

In underhood relay box.



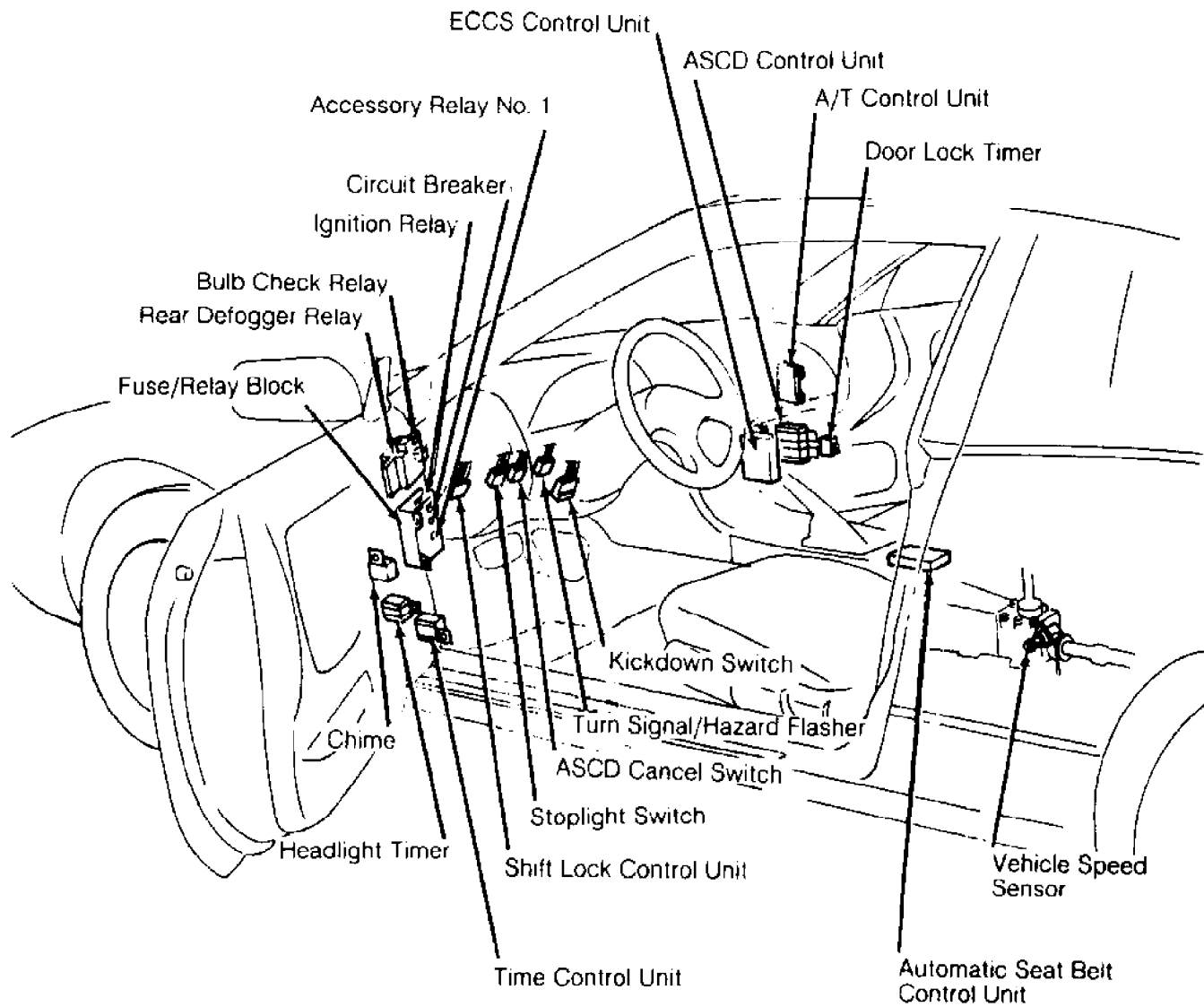
Bulb Check Relay (Blue)

Under left side of dash.



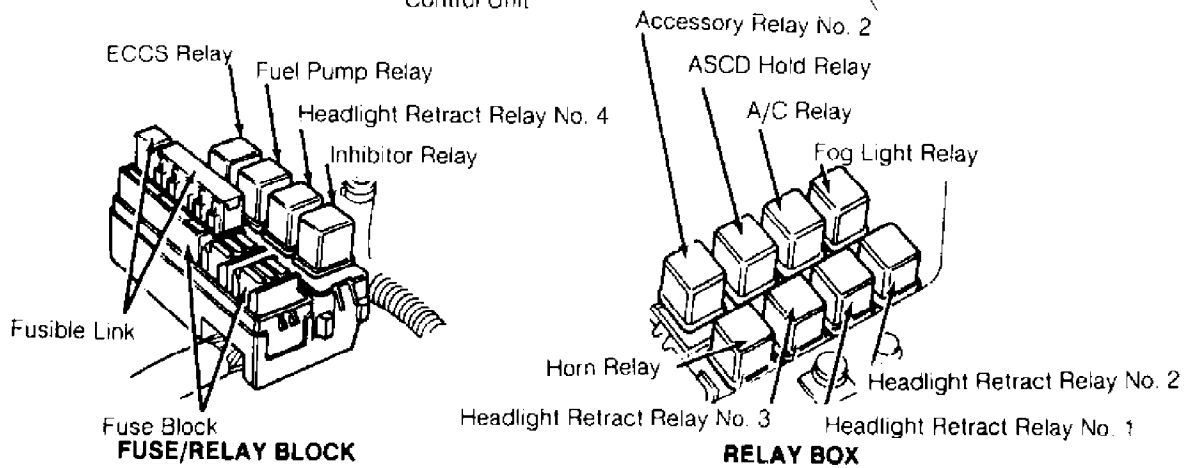
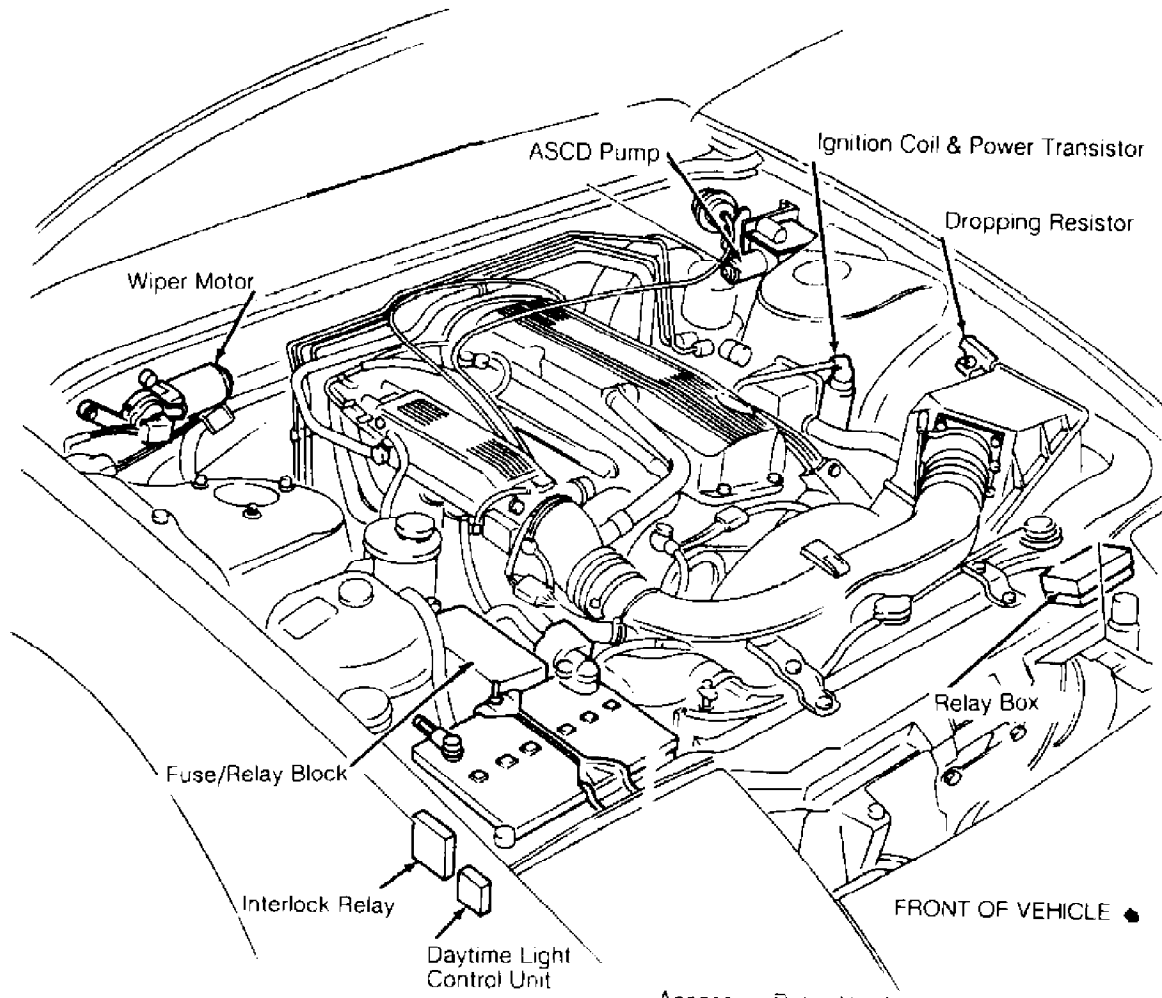
Chime

Above driver's side kick panel.



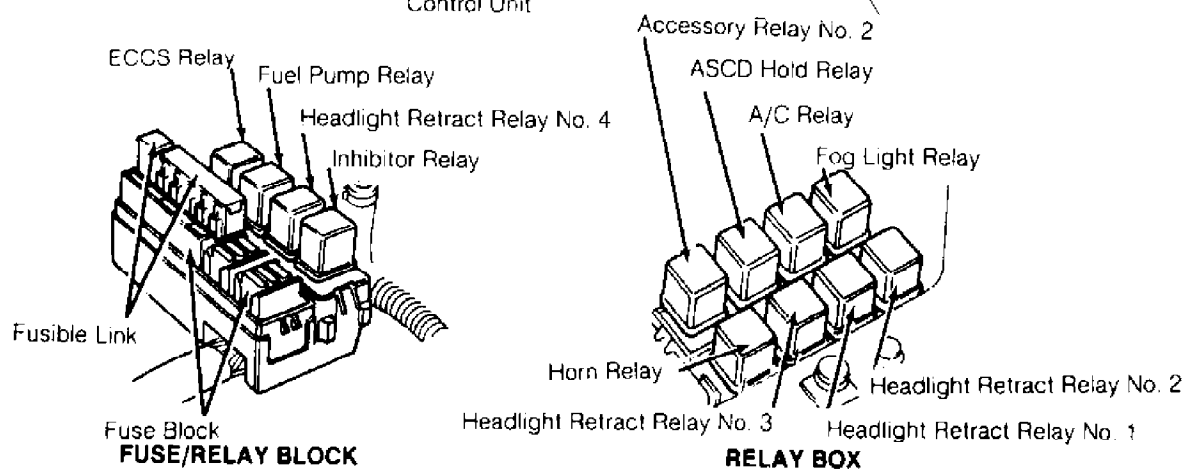
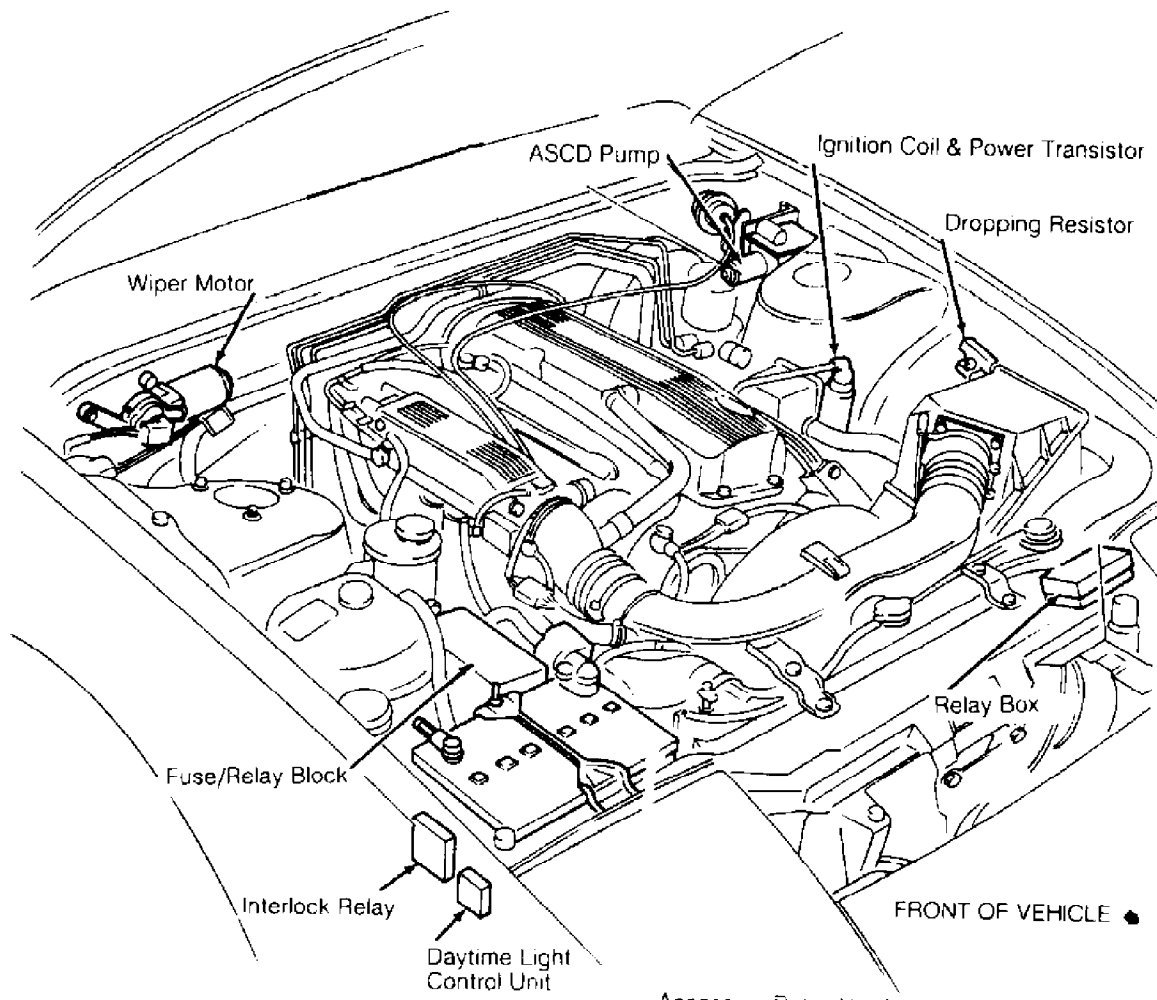
Door Lock Timer

Under right side of dash,
 behind kick panel.



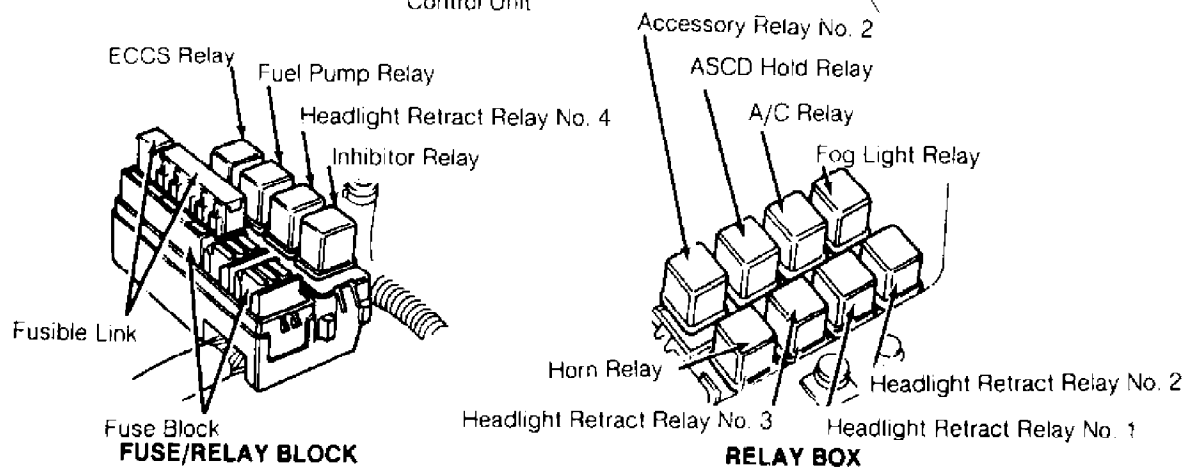
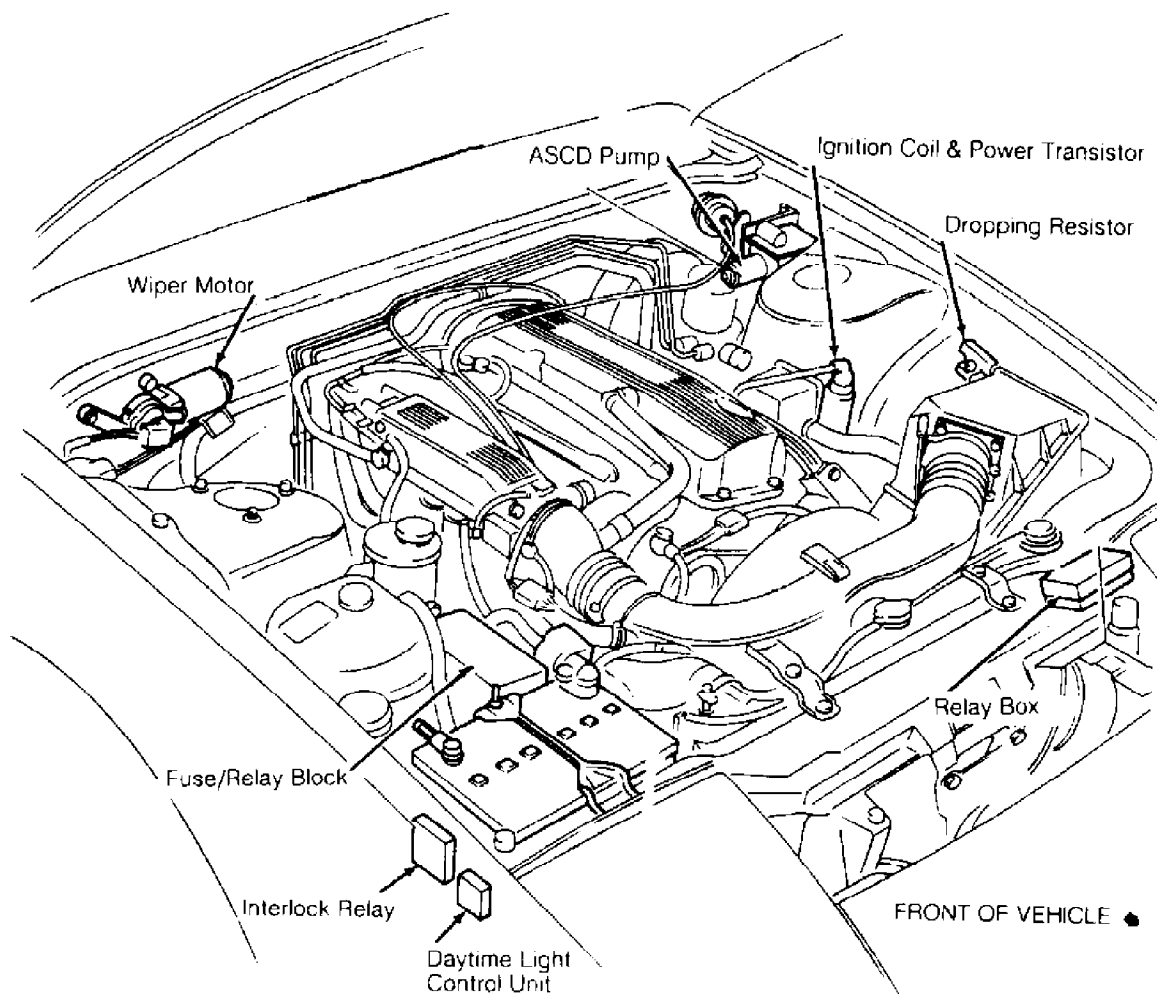
ECCS Relay (Blue)

In underhood relay/fuse block.



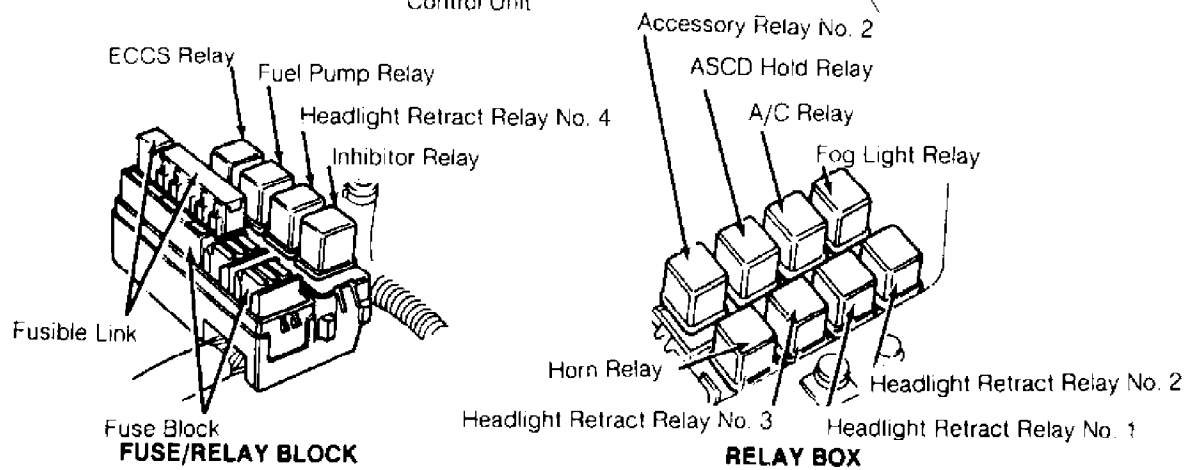
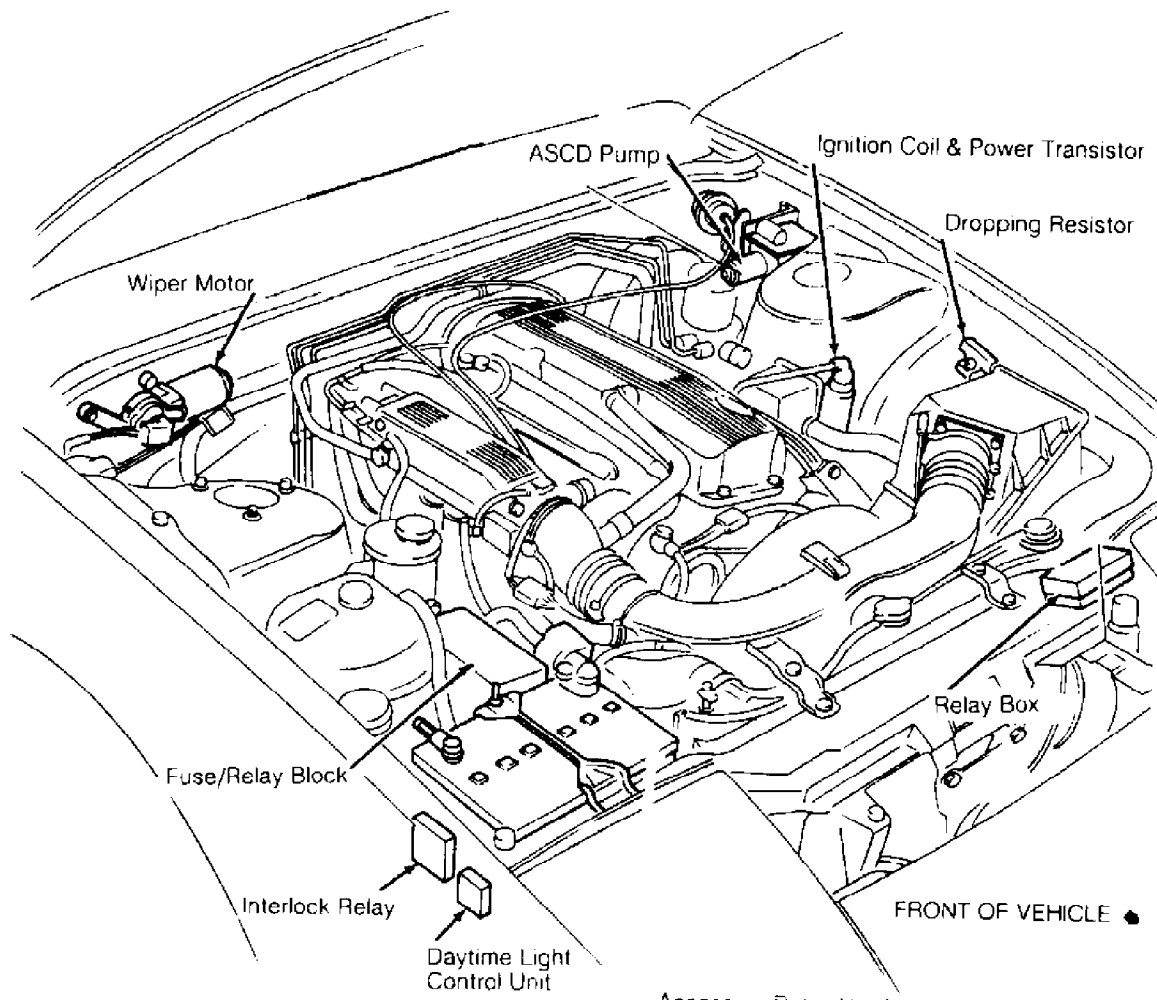
Fog Light Relay (Blue)

In underhood relay box.



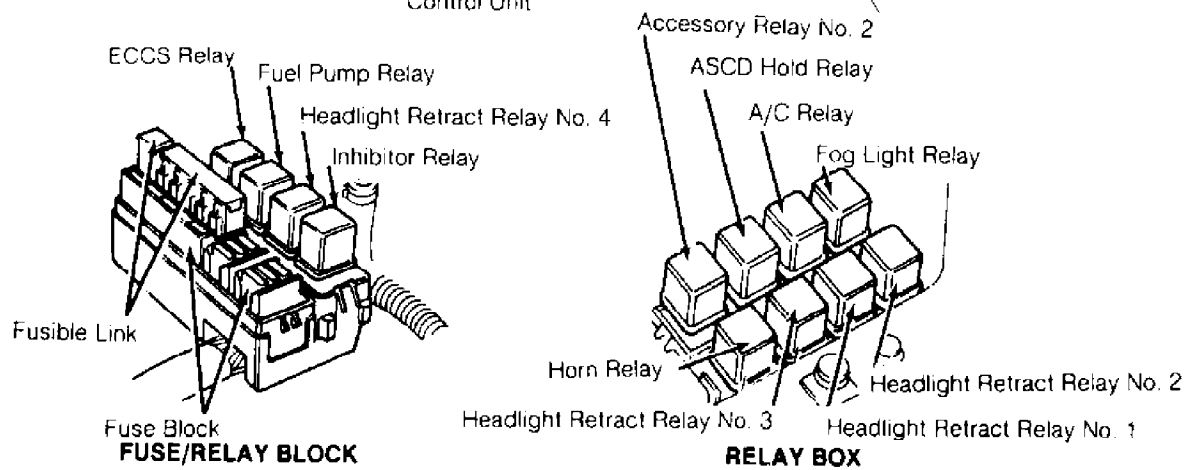
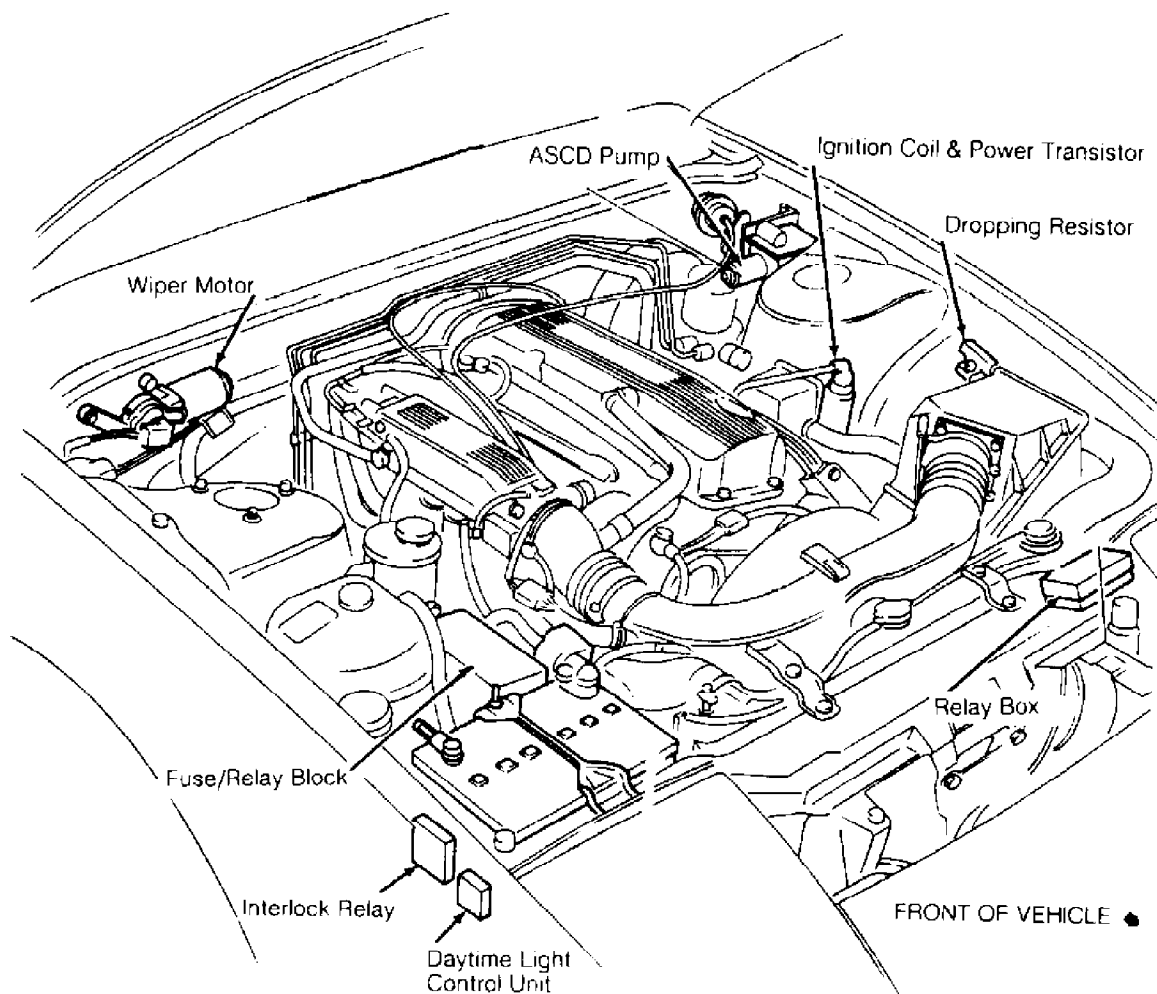
Fuel Pump Relay

In underhood relay/fuse block.



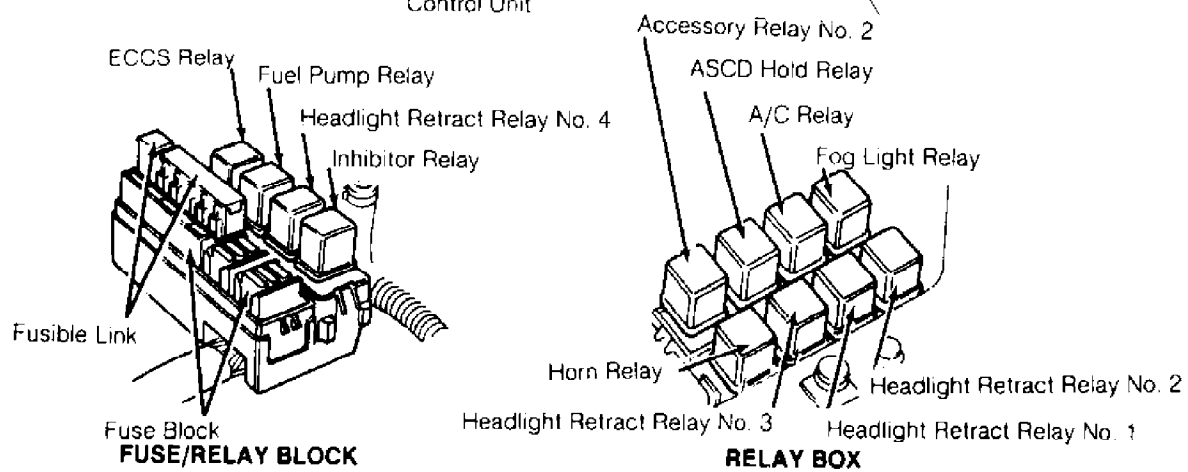
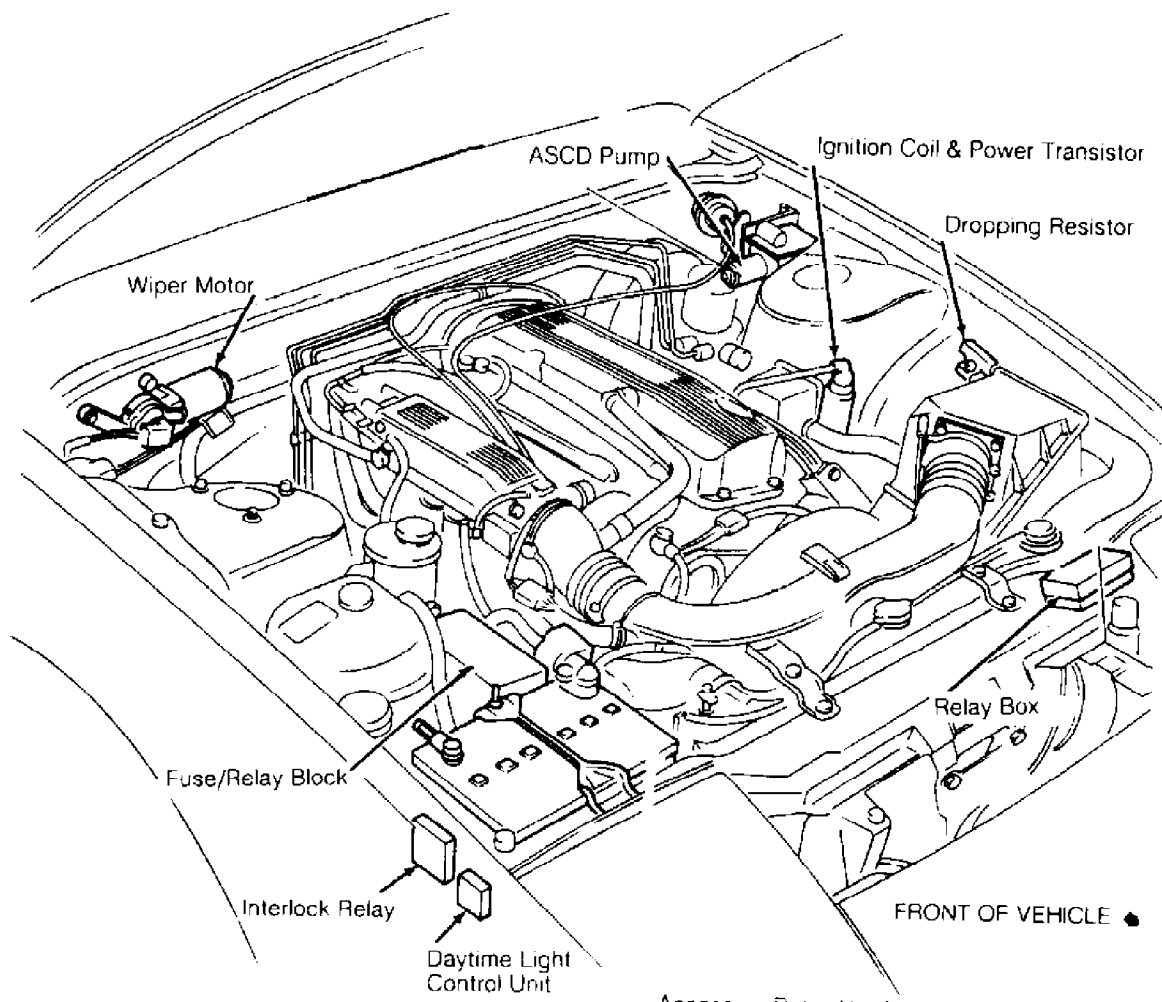
Headlight Retract Relay No. 1
 (Black)

In underhood relay box.



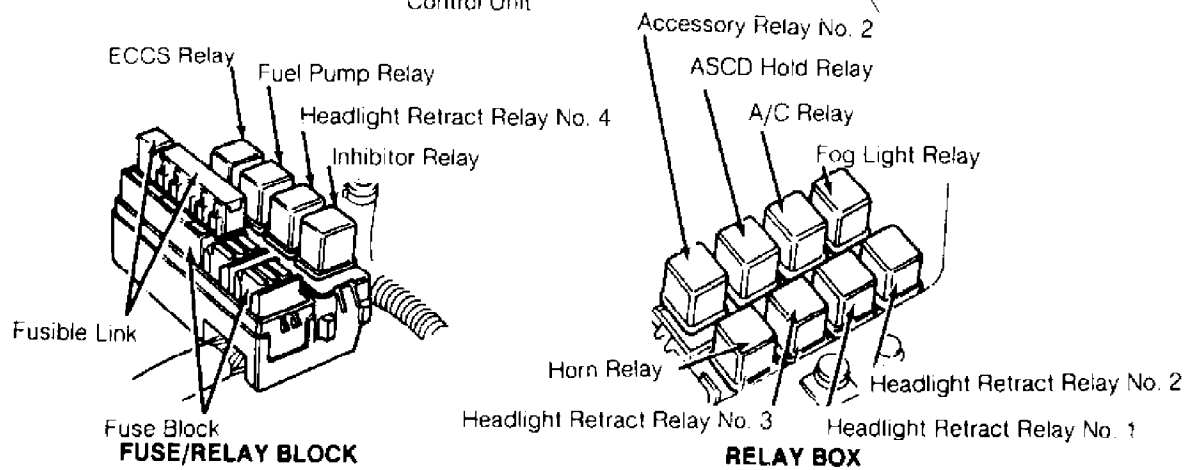
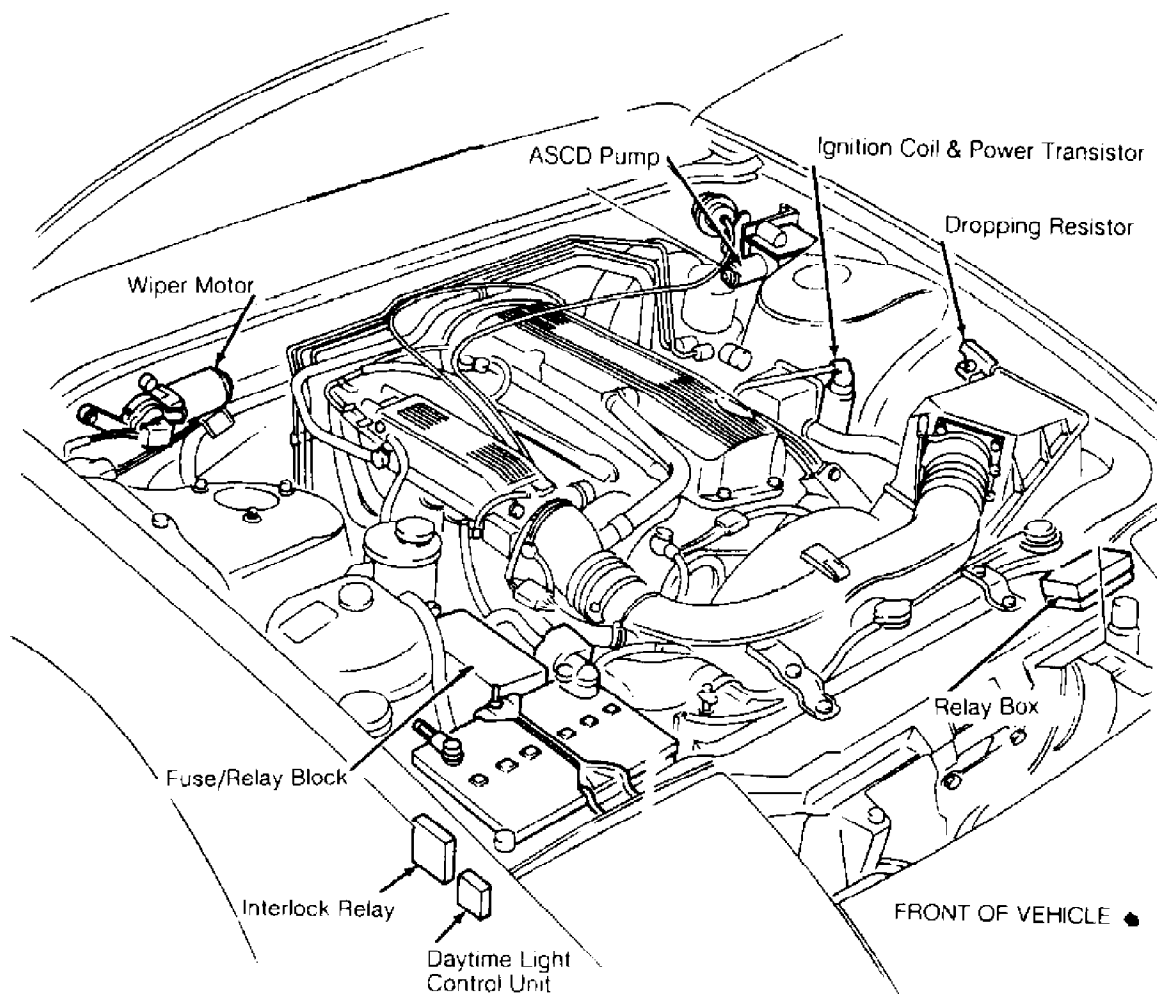
Headlight Retract Relay No. 2
 (Black)

In underhood relay box.



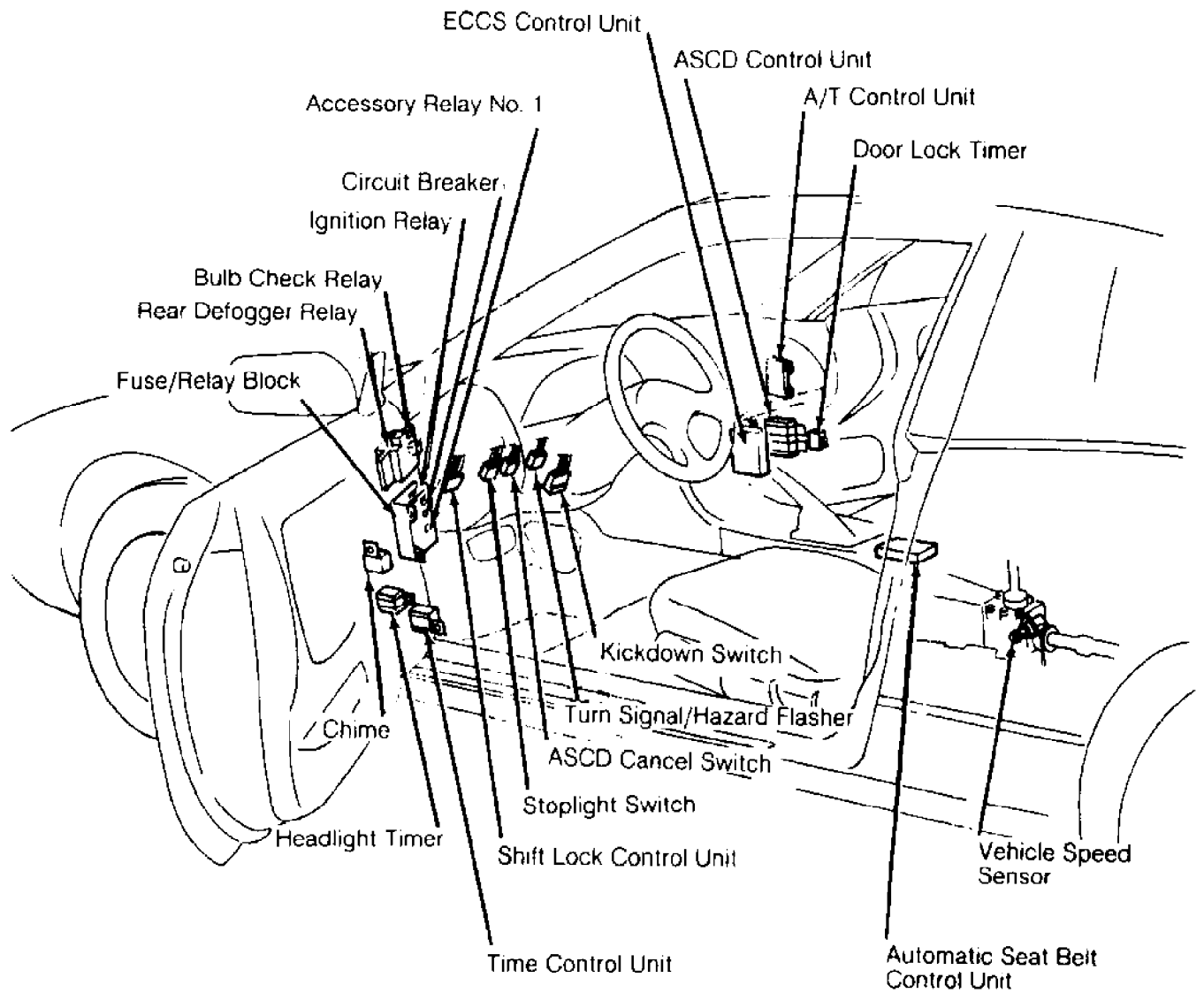
Headlight Retract Relay No. 3
 (Black)

In underhood relay box.



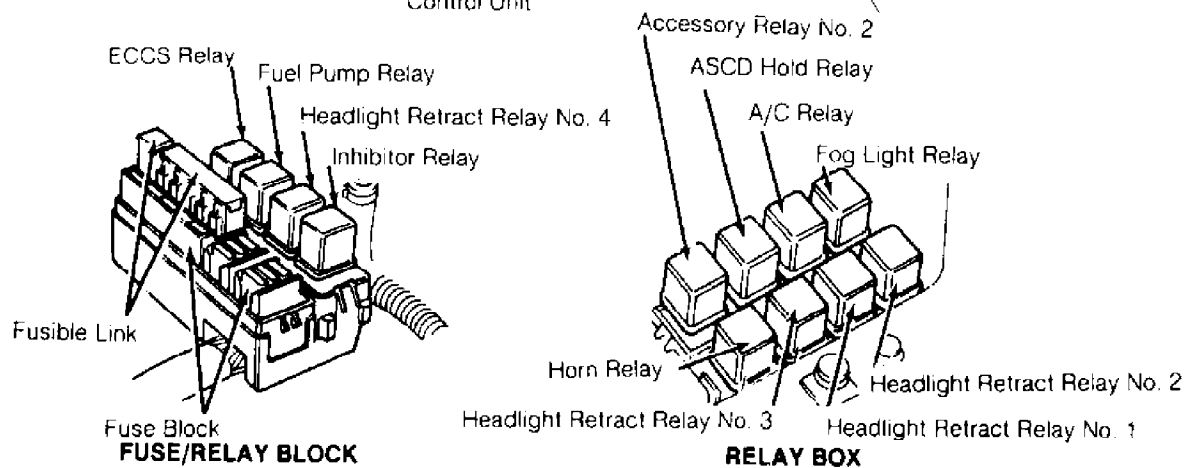
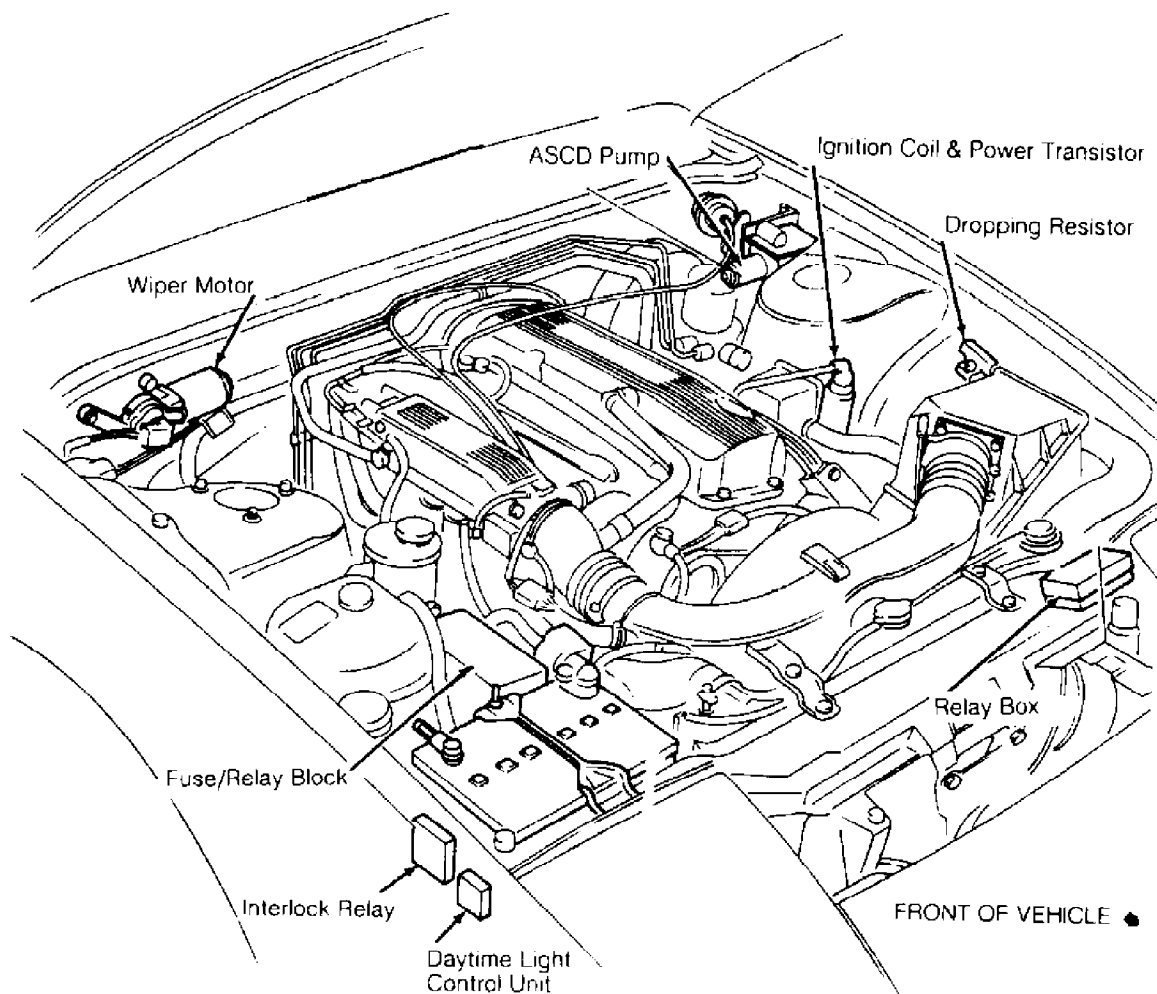
Headlight Retract Relay No. 4
 (Gray)

In underhood fuse/relay block.



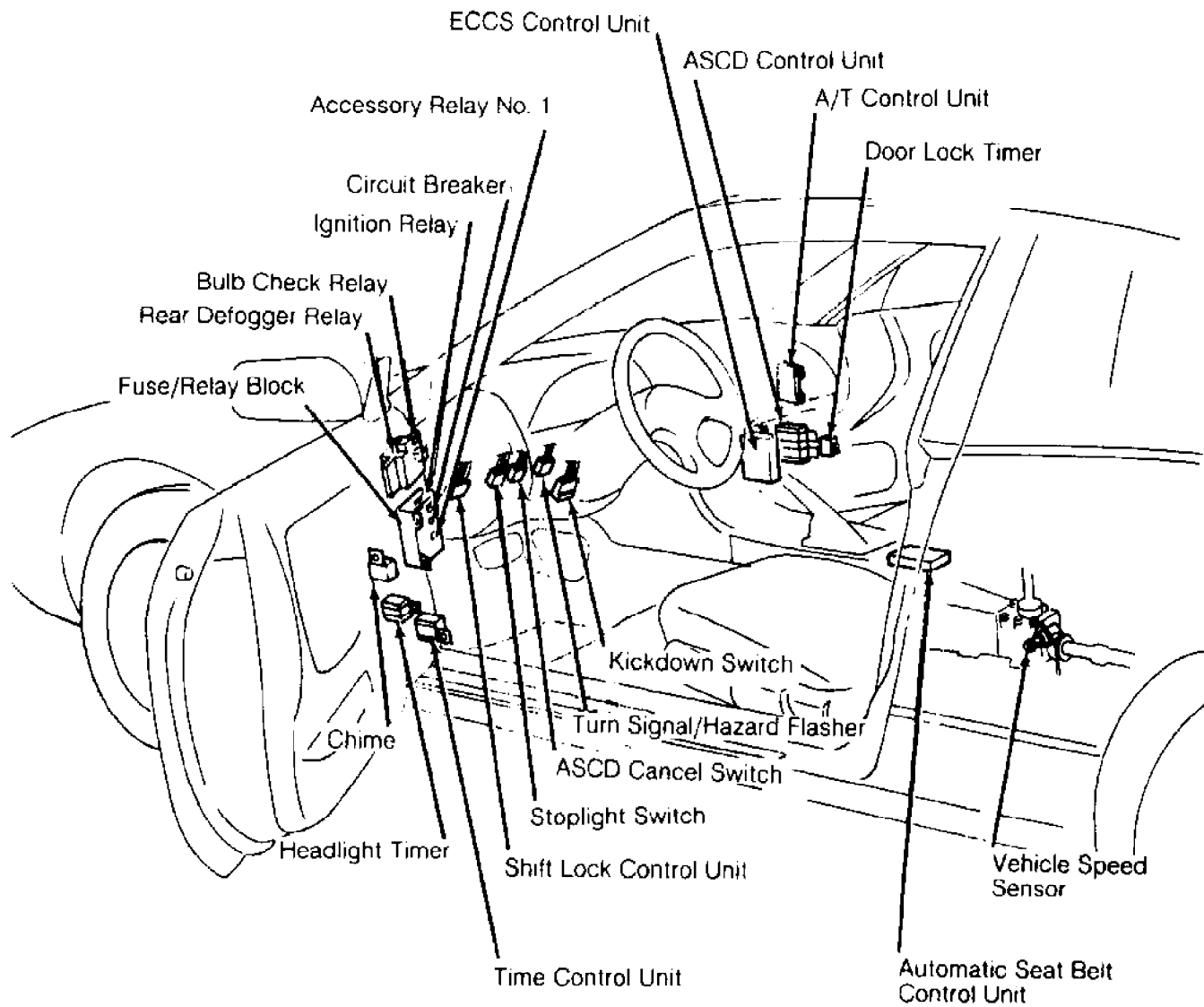
Headlight Timer

Under left side of dash, on driver's kick panel.



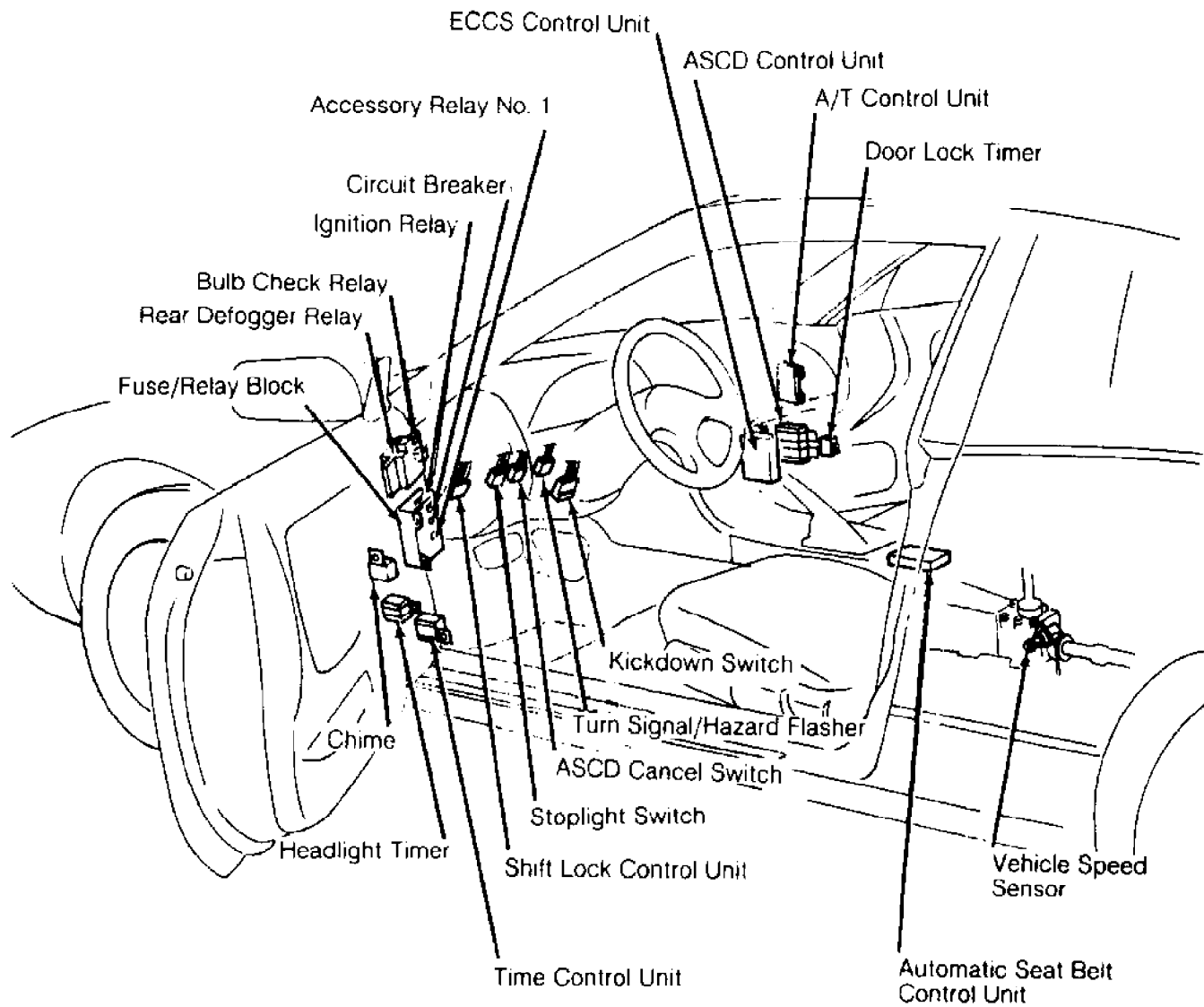
Horn Relay
 Ignition Relay

In underhood relay box.



w/Power Window (Brown)

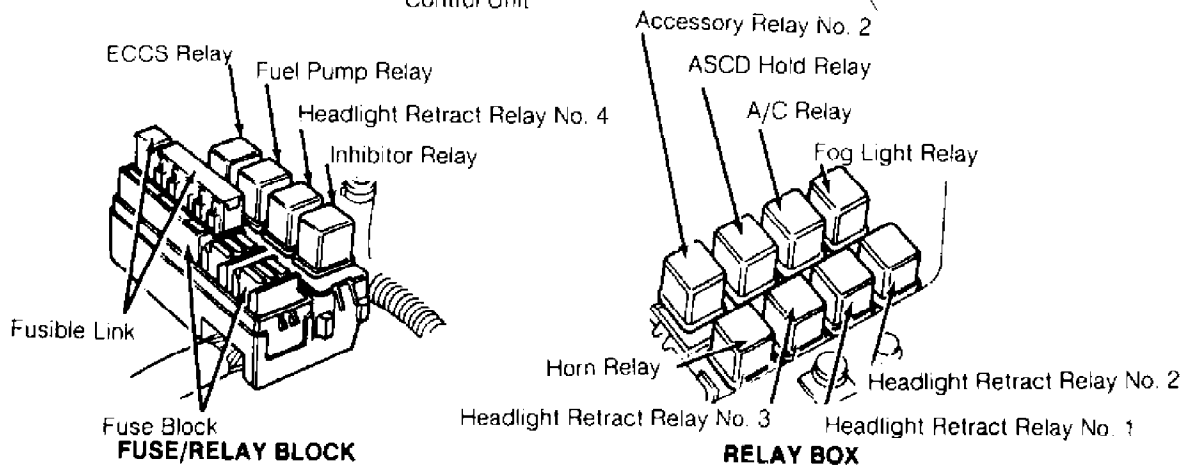
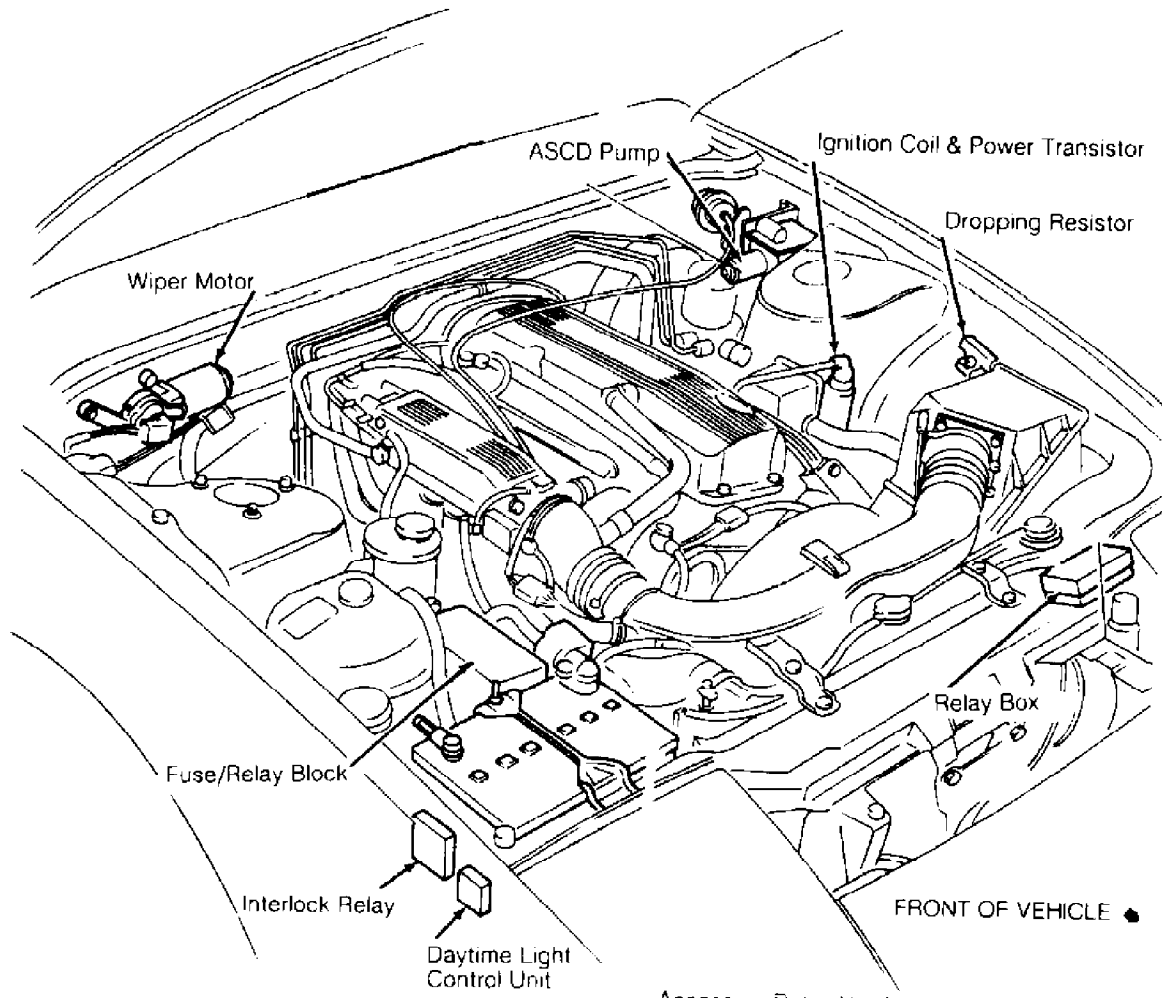
On fuse/relay block, under left side of dash.



w/o Power Window (Blue)

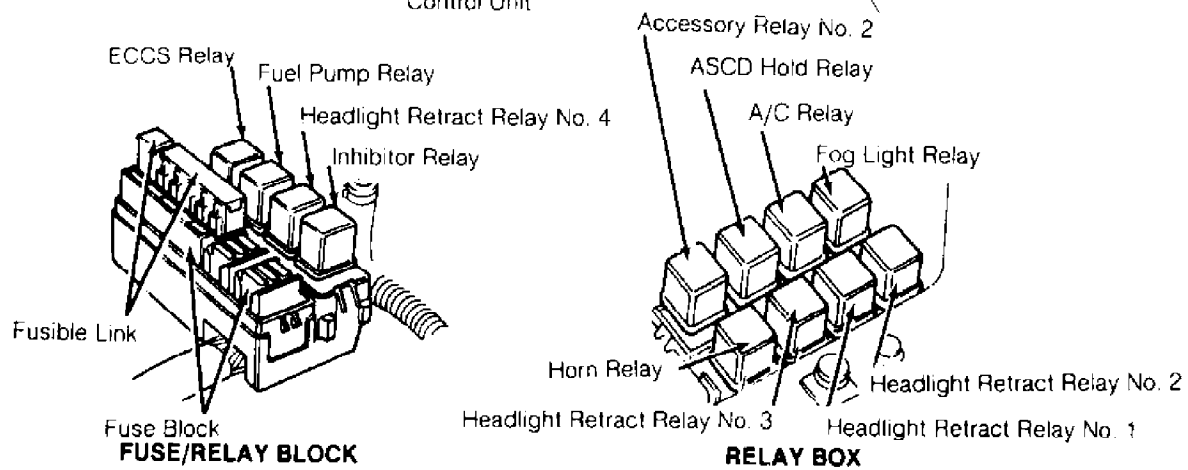
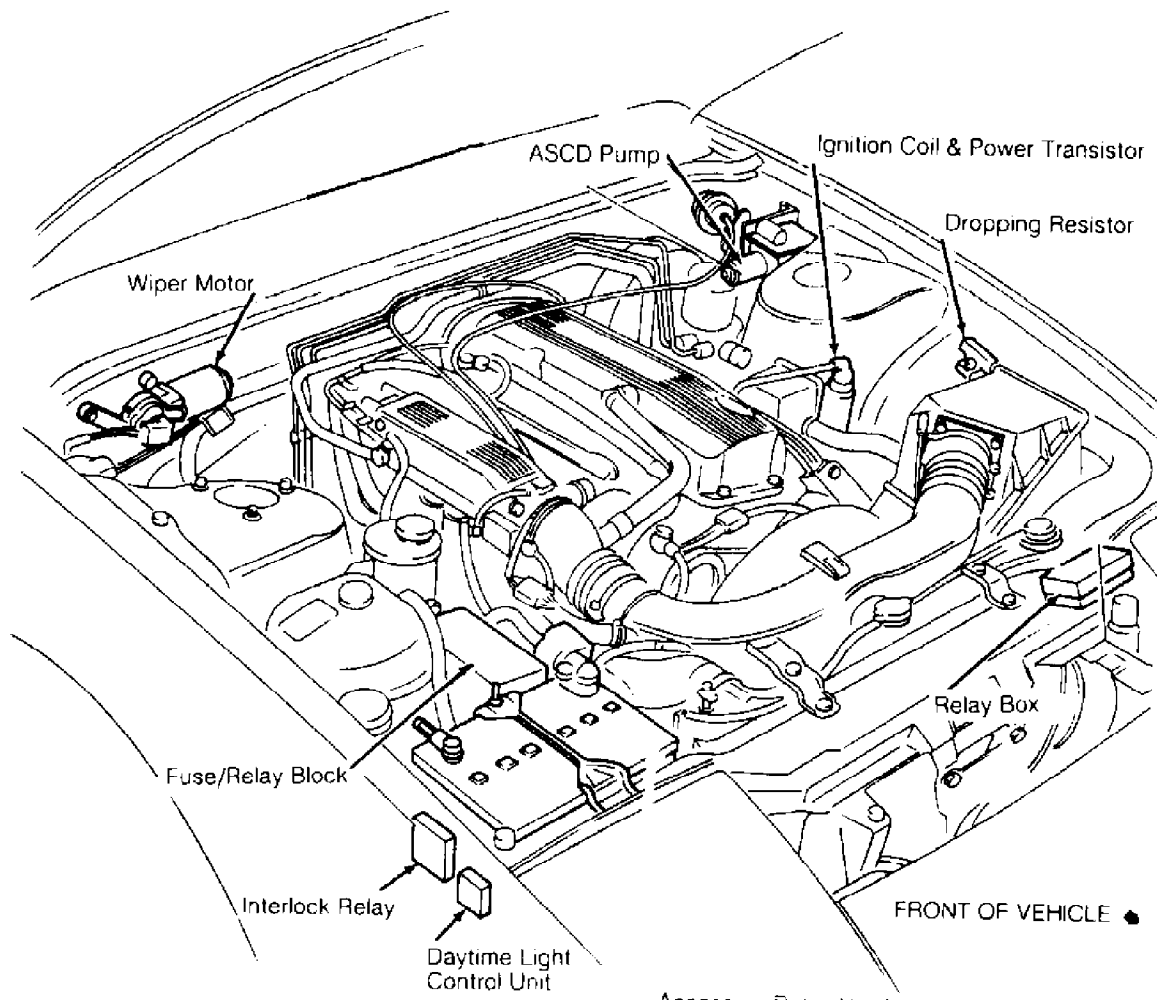
On fuse/relay block, under left side of dash.

Inhibitor Relay



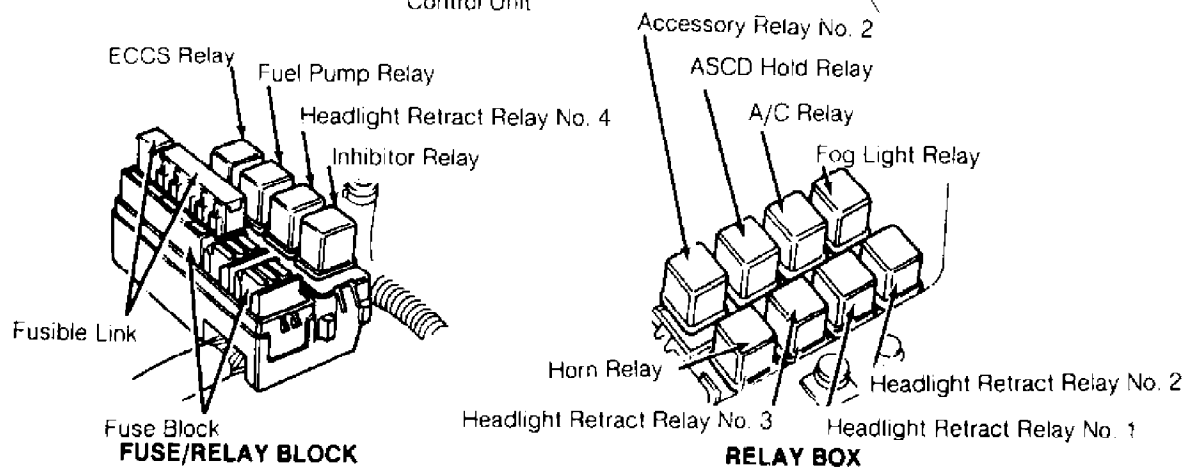
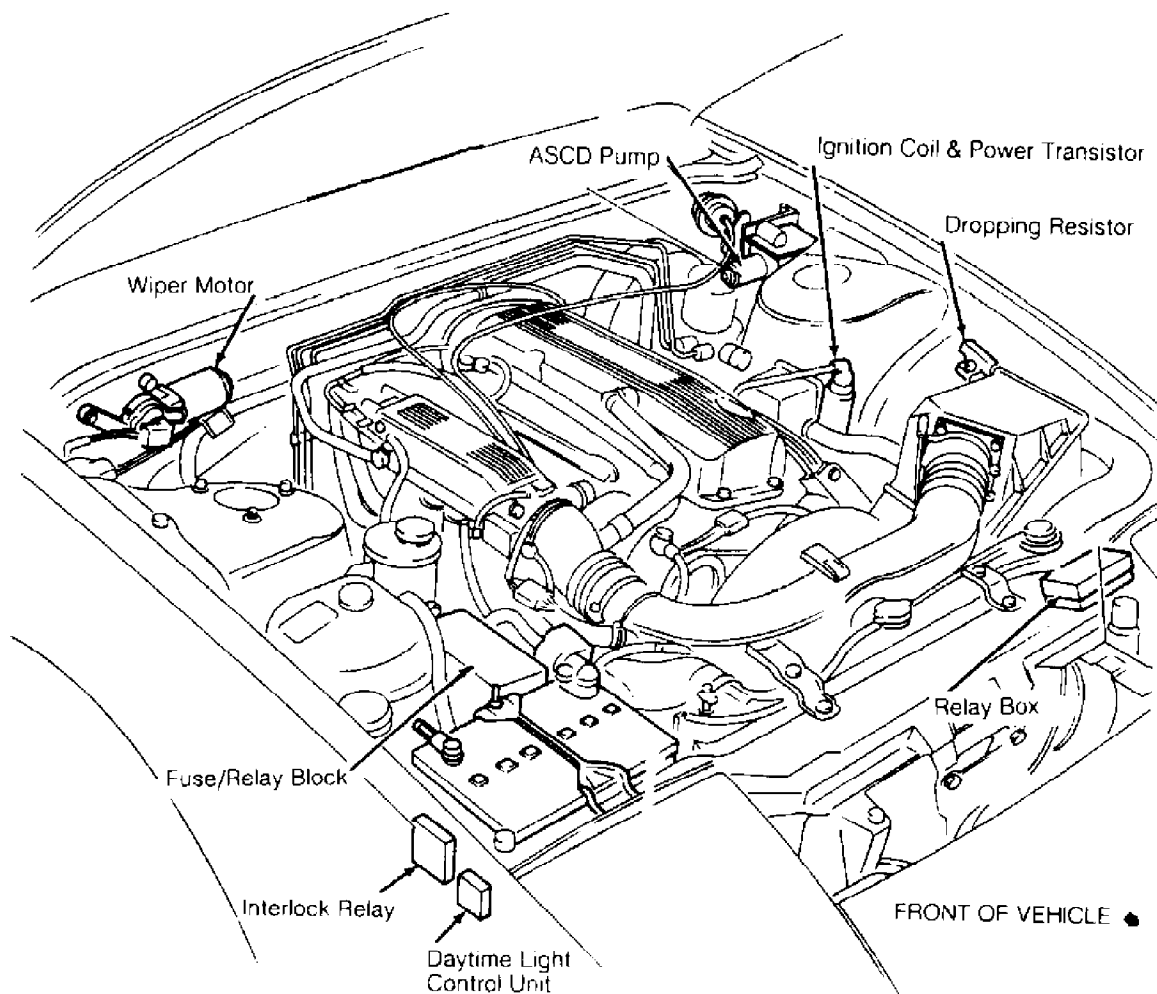
w/ASCD (Gray)

In underhood fuse/relay block.



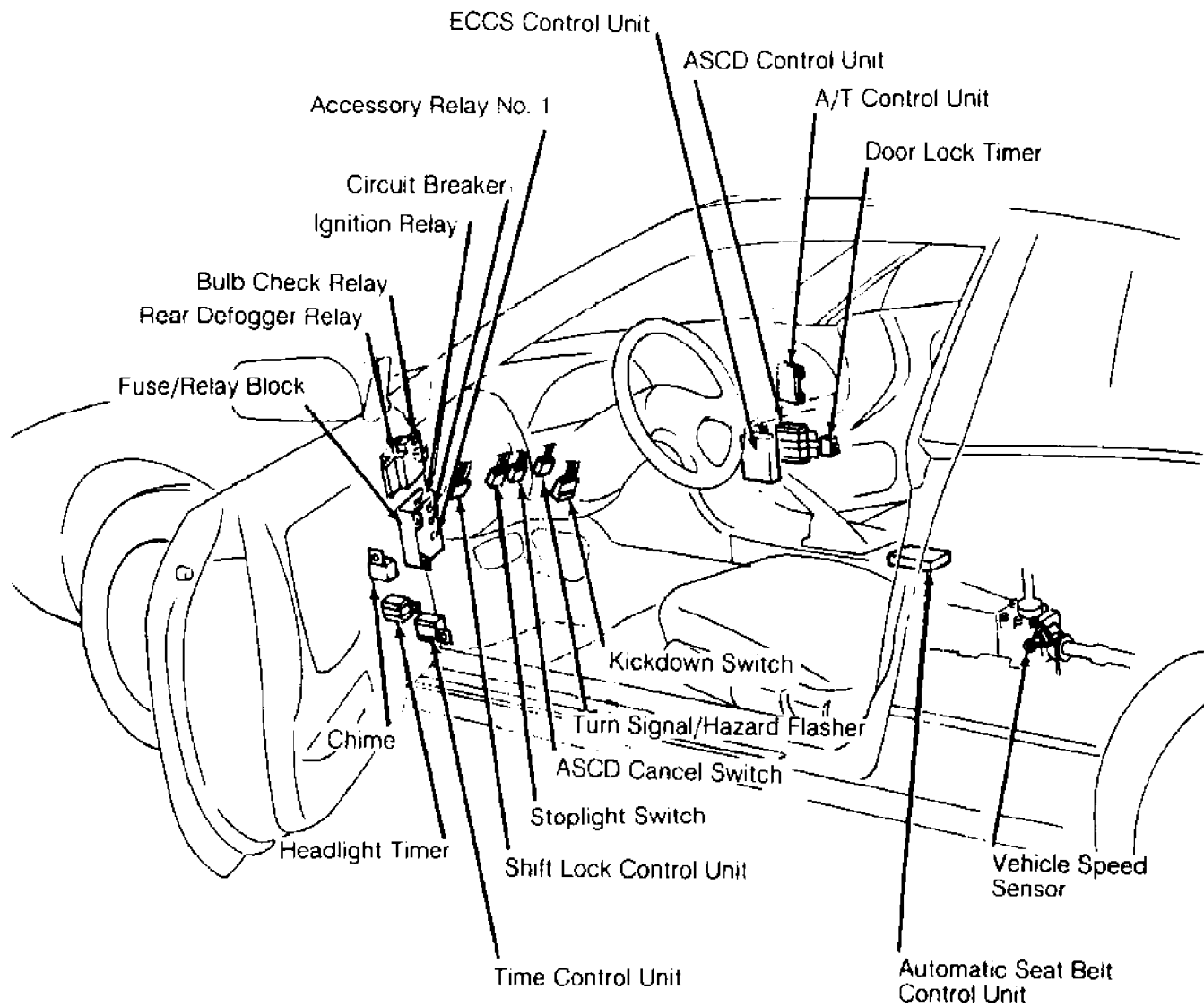
w/o ASCD (Blue)

In underhood fuse/relay block.



Interlock Relay

On right front inner fender panel, beside battery.



Rear Defogger Relay

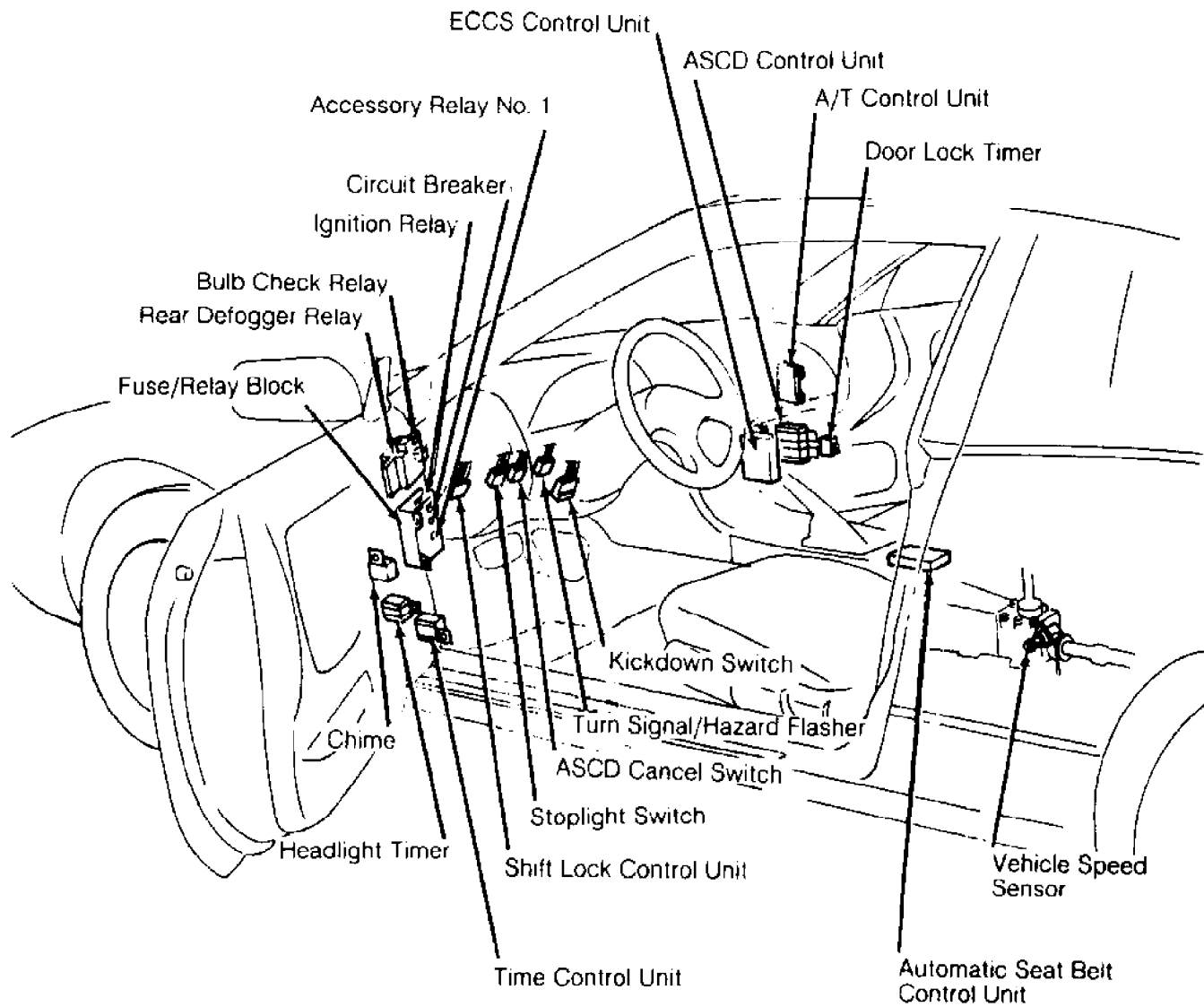
On fuse/relay block, under left side of dash.

Sunroof Safety Relay

Above windshield, by sunroof motor.

Sunroof Slide (Close) Relay

Above windshield, by sunroof motor.

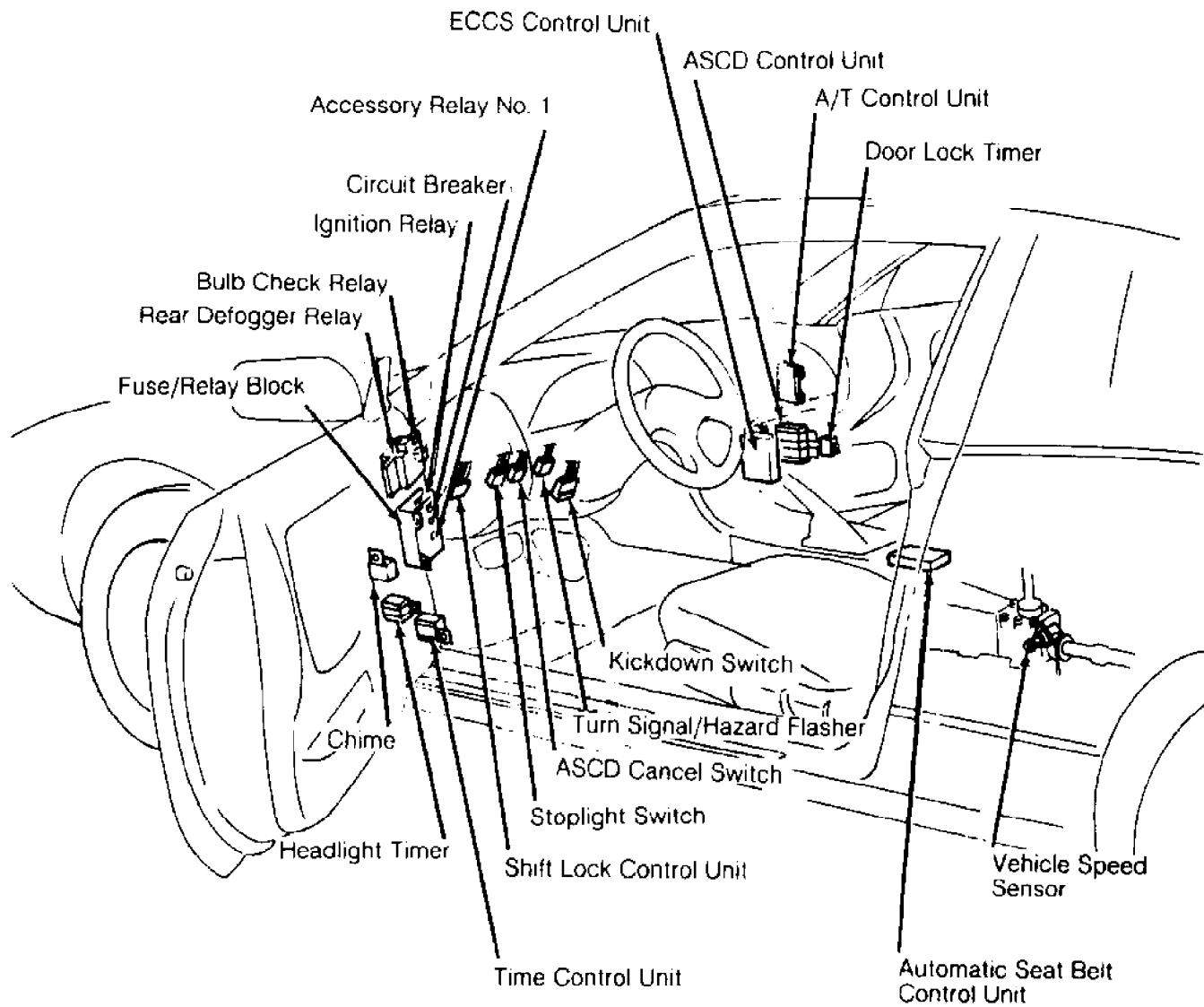


Turn Signal/Hazard Flasher

Under left side of dash, on steering column bracket.

CIRCUIT PROTECTION DEVICES

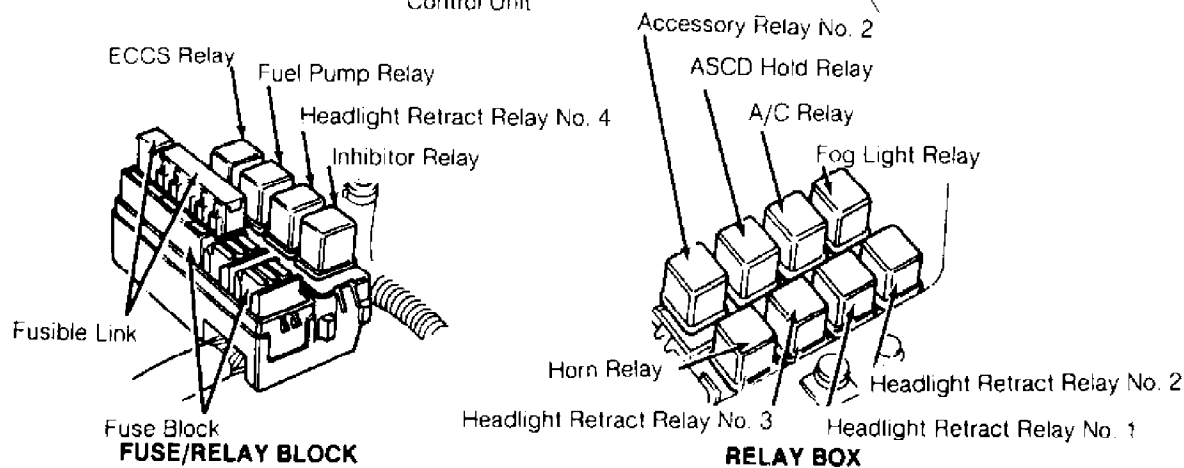
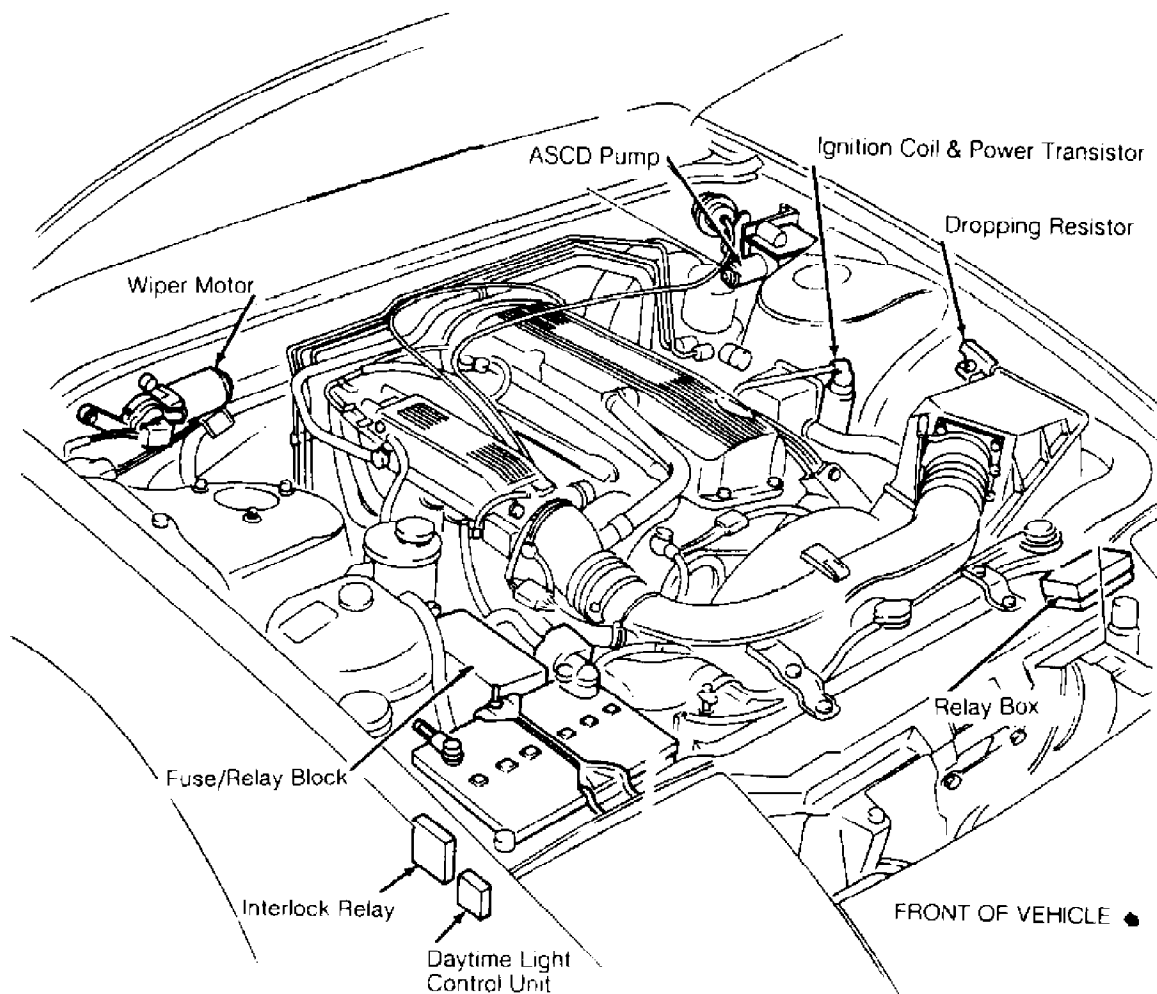
Component	Component Location
-----------	--------------------



Circuit Breaker

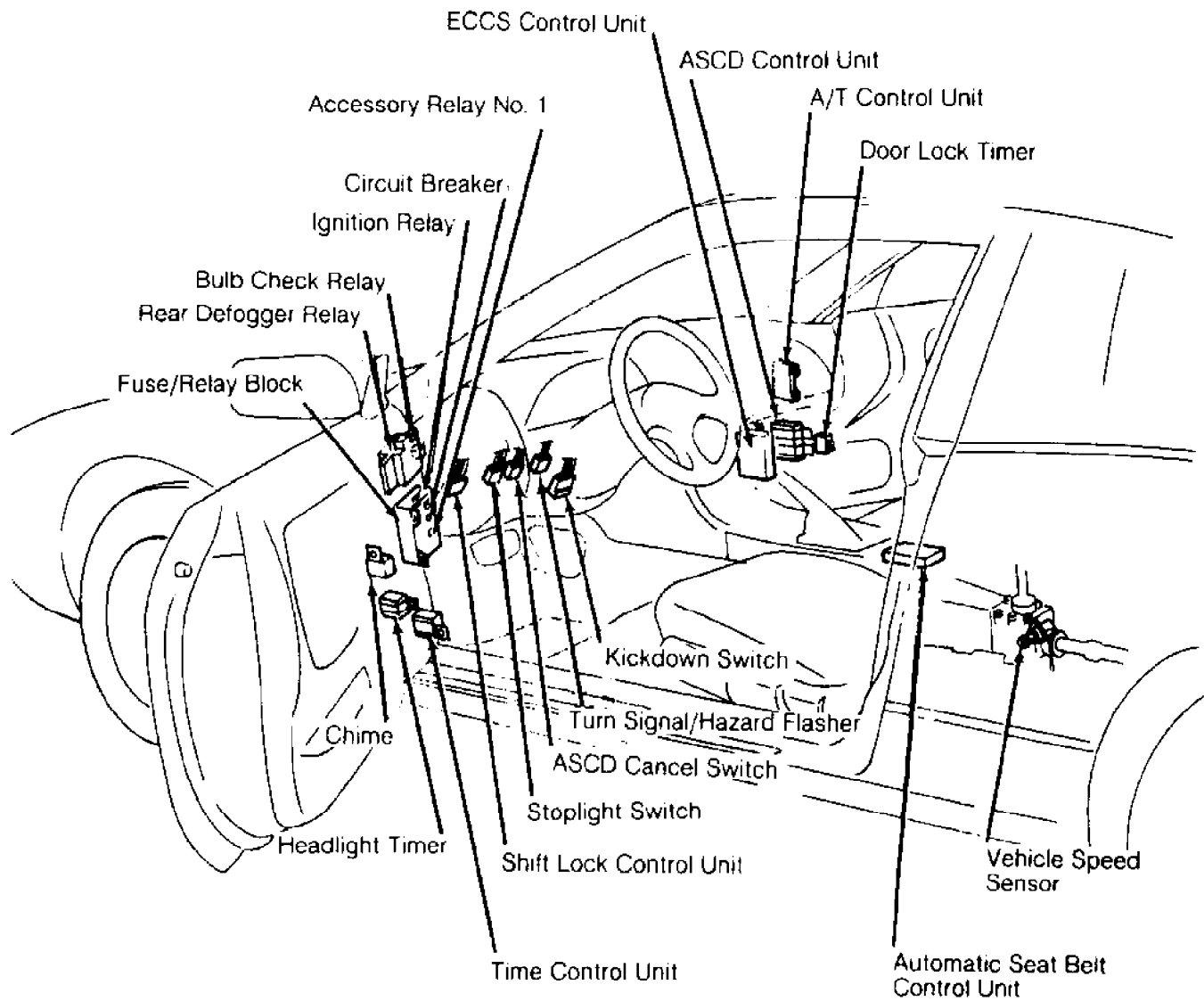
Under left side of dash, on fuse/relay block.

Fuse/Relay Block



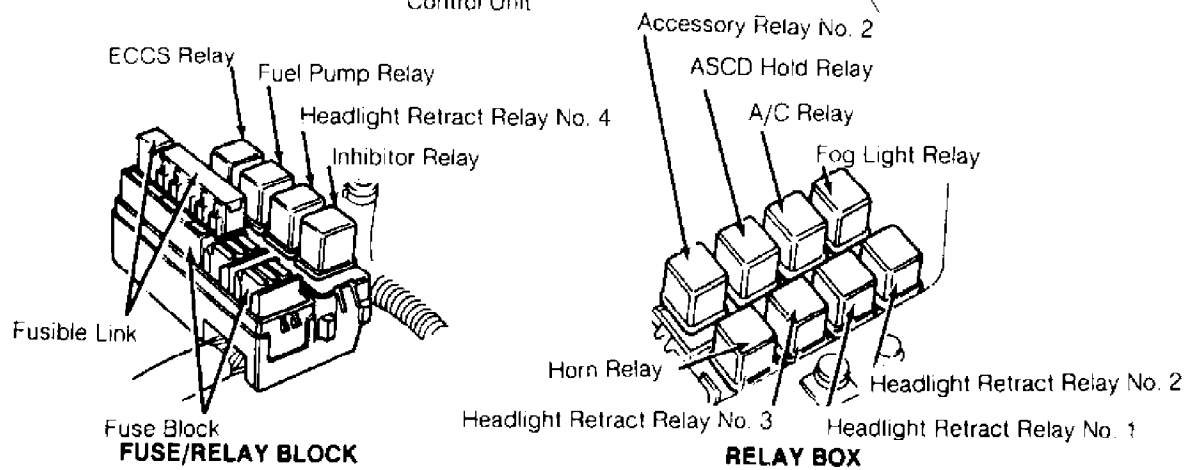
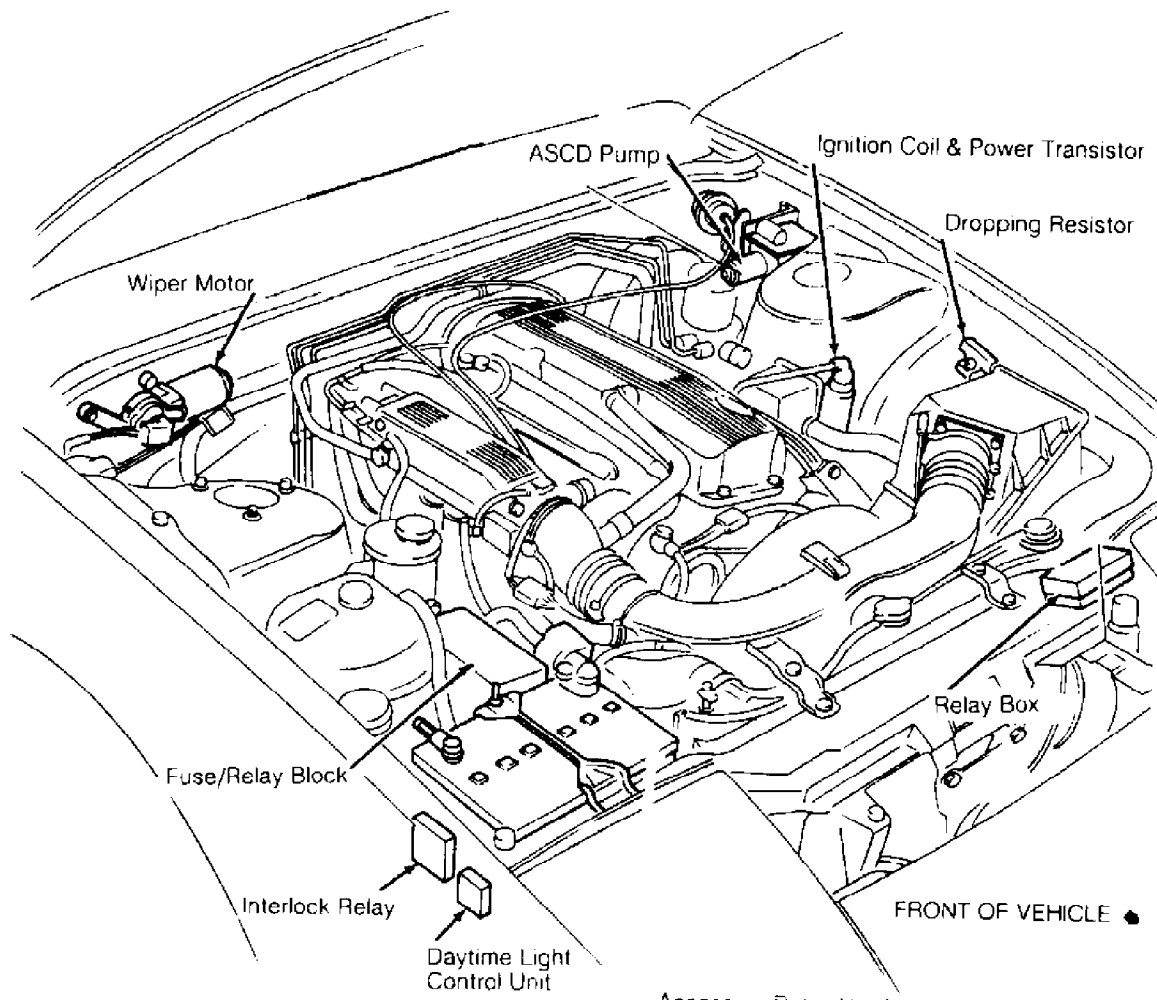
Engine Compartment

On right side of engine compartment, near battery.



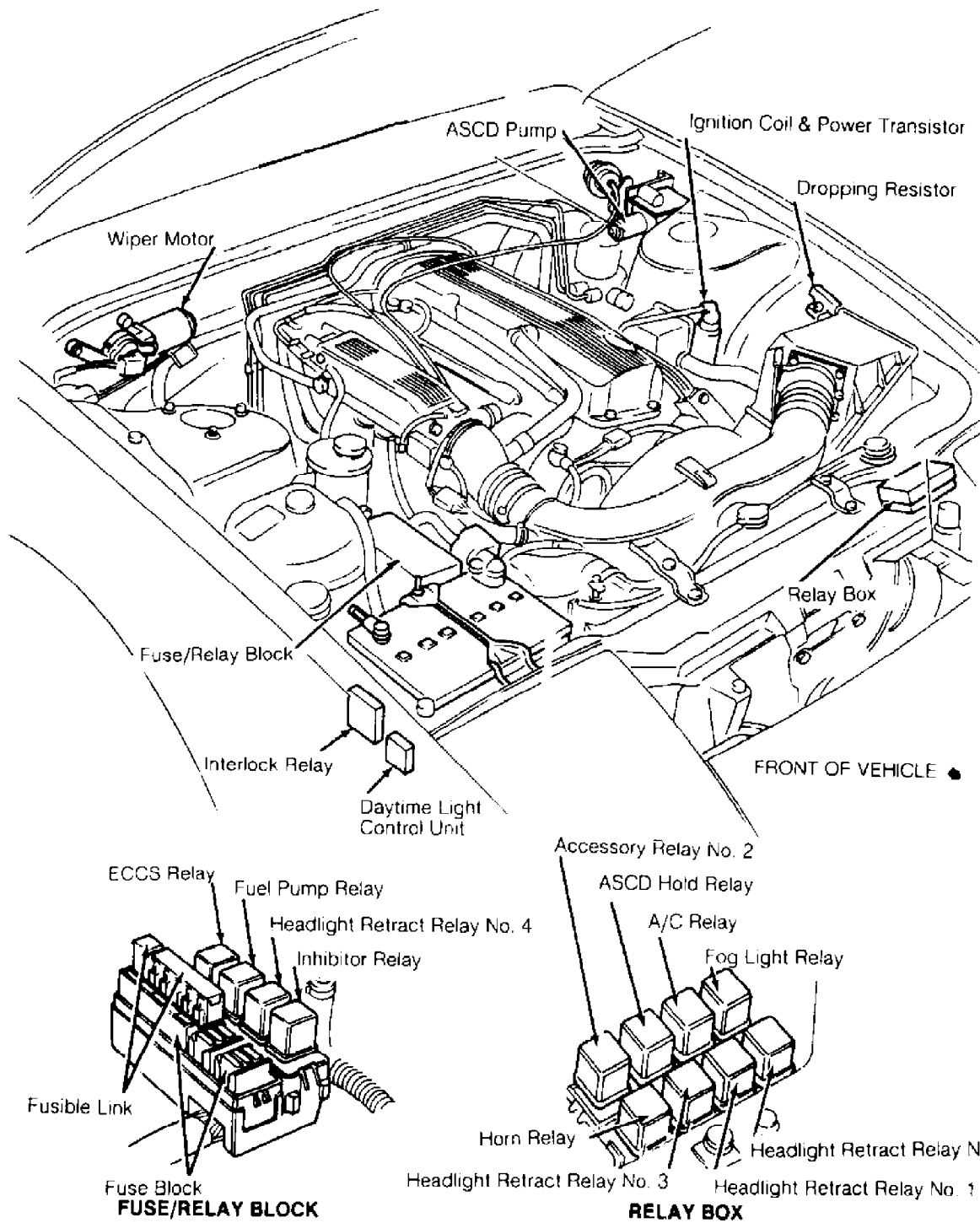
Passenger Compartment

Under left side of dash.



Fusible Links

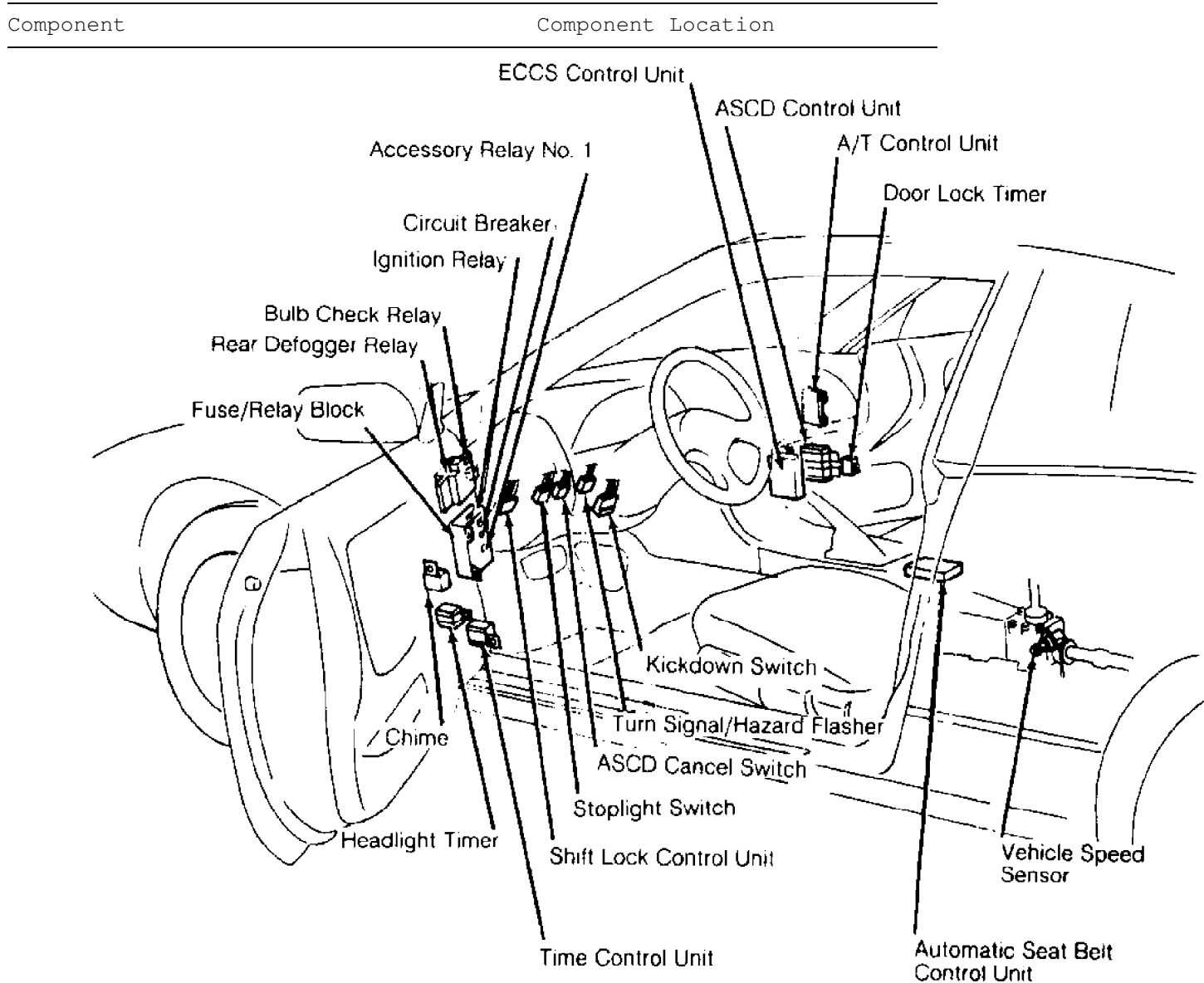
In underhood fuse/relay block.



Relay Box

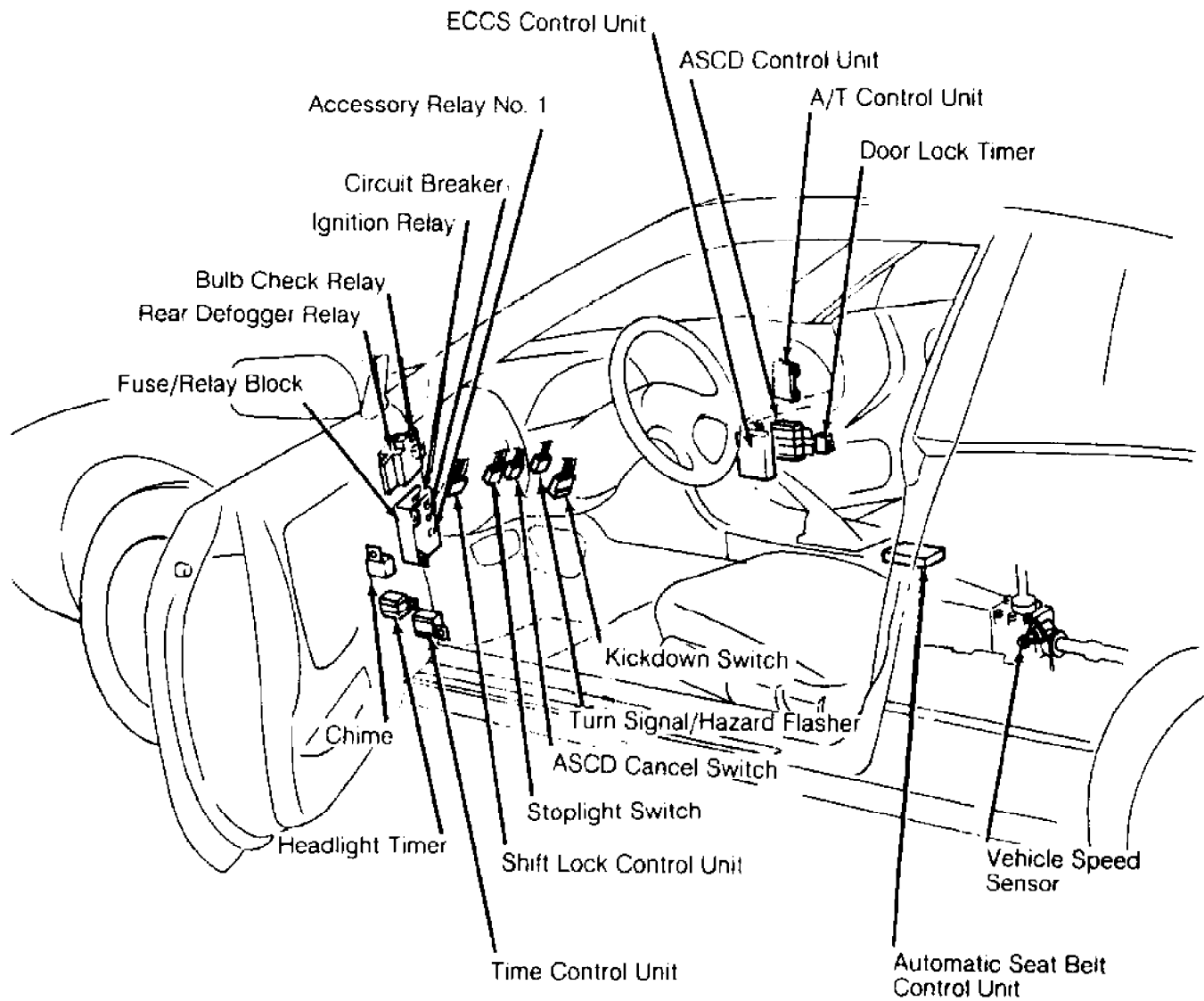
On left front corner of engine compartment, behind headlight.

CONTROL UNITS



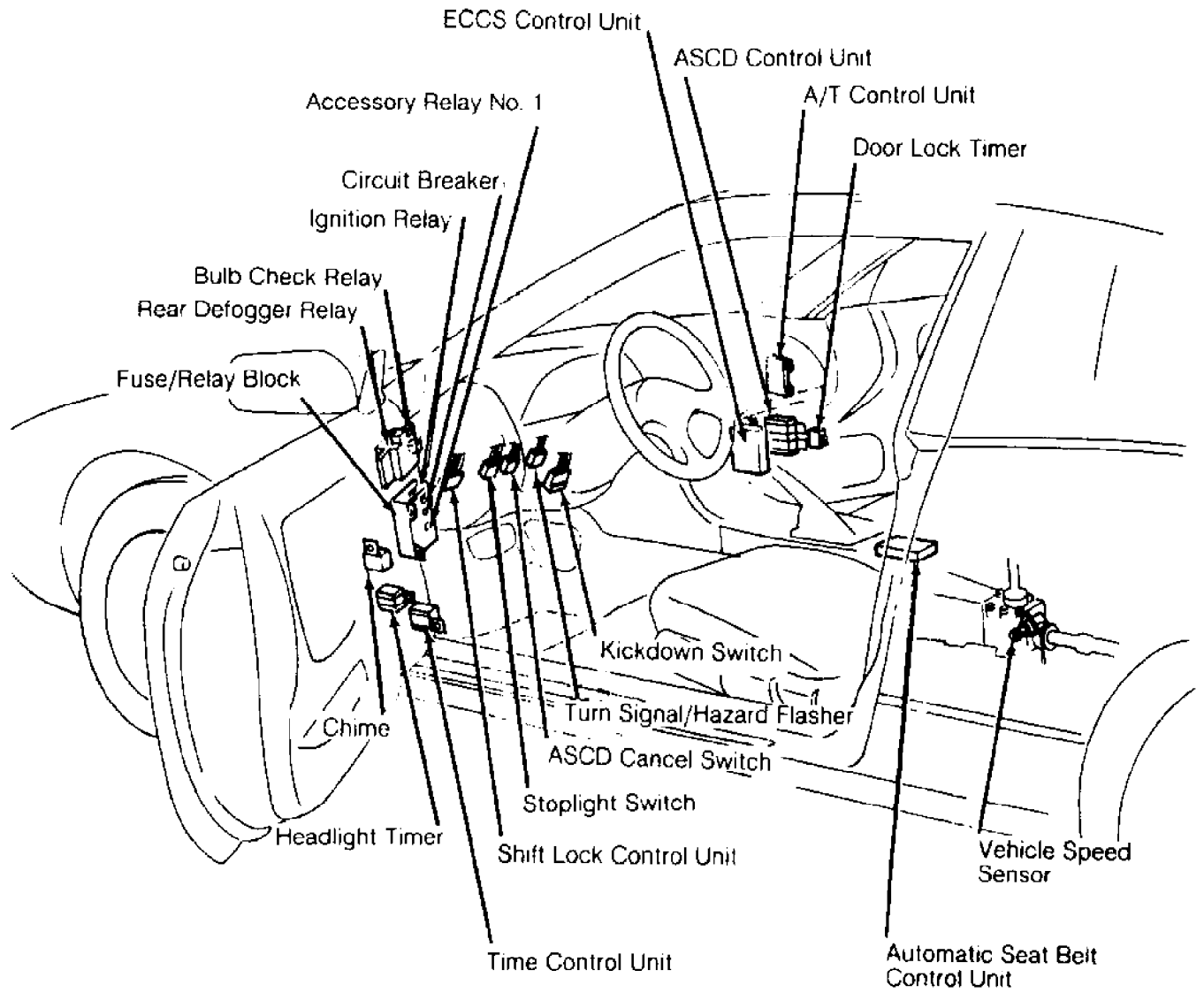
ASCD Control Unit

Under right side of dash, on kick panel.



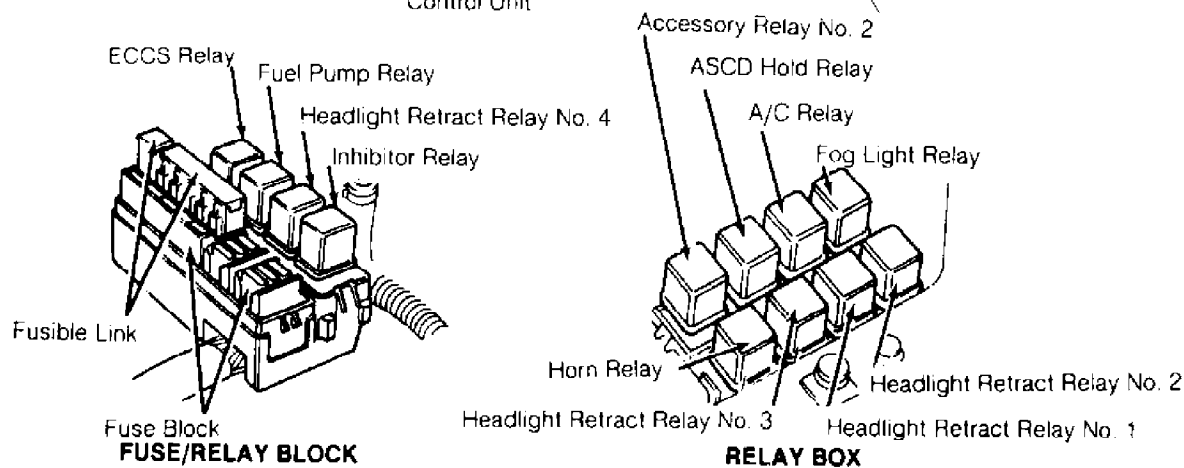
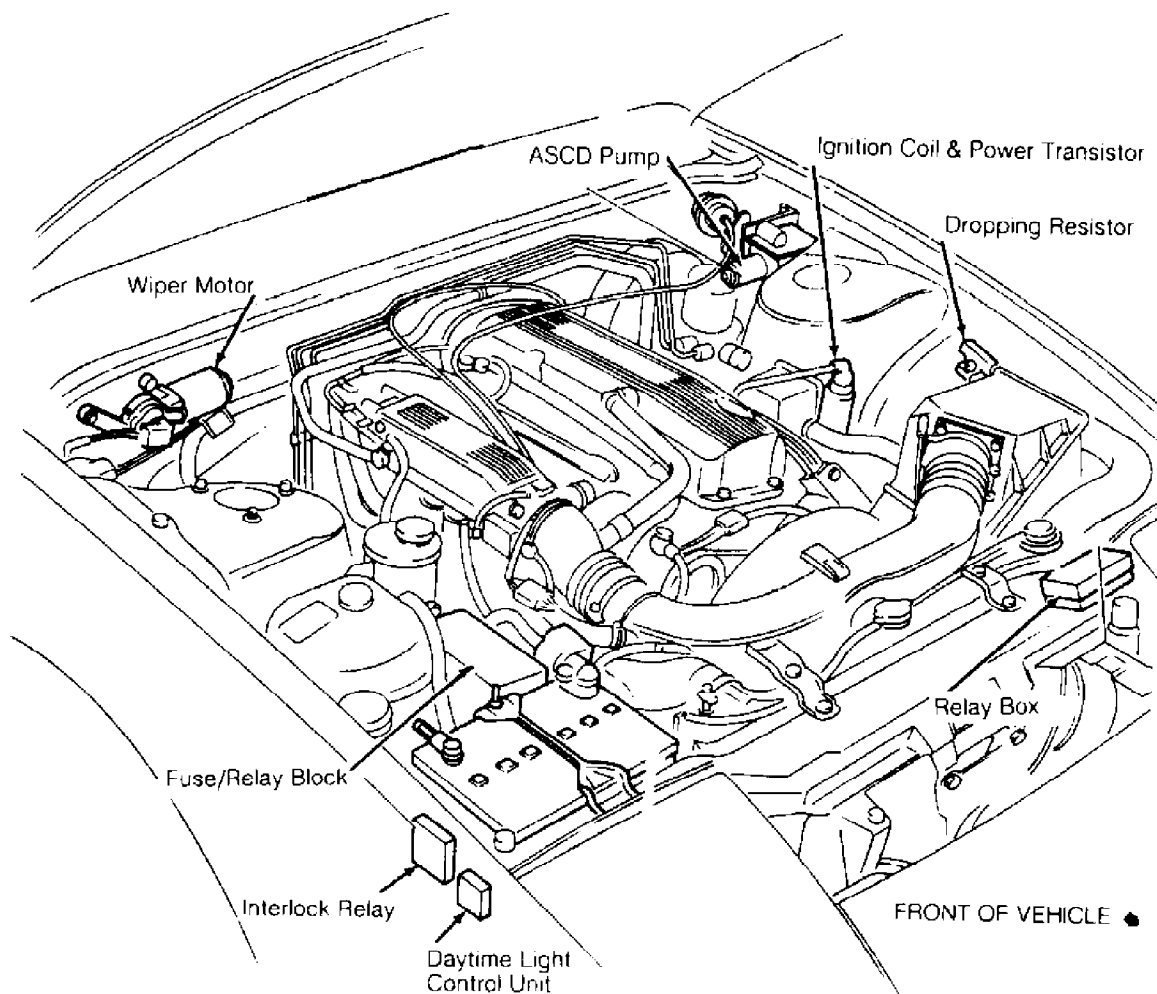
Auto. Trans. Control Unit

Under right side of dash.



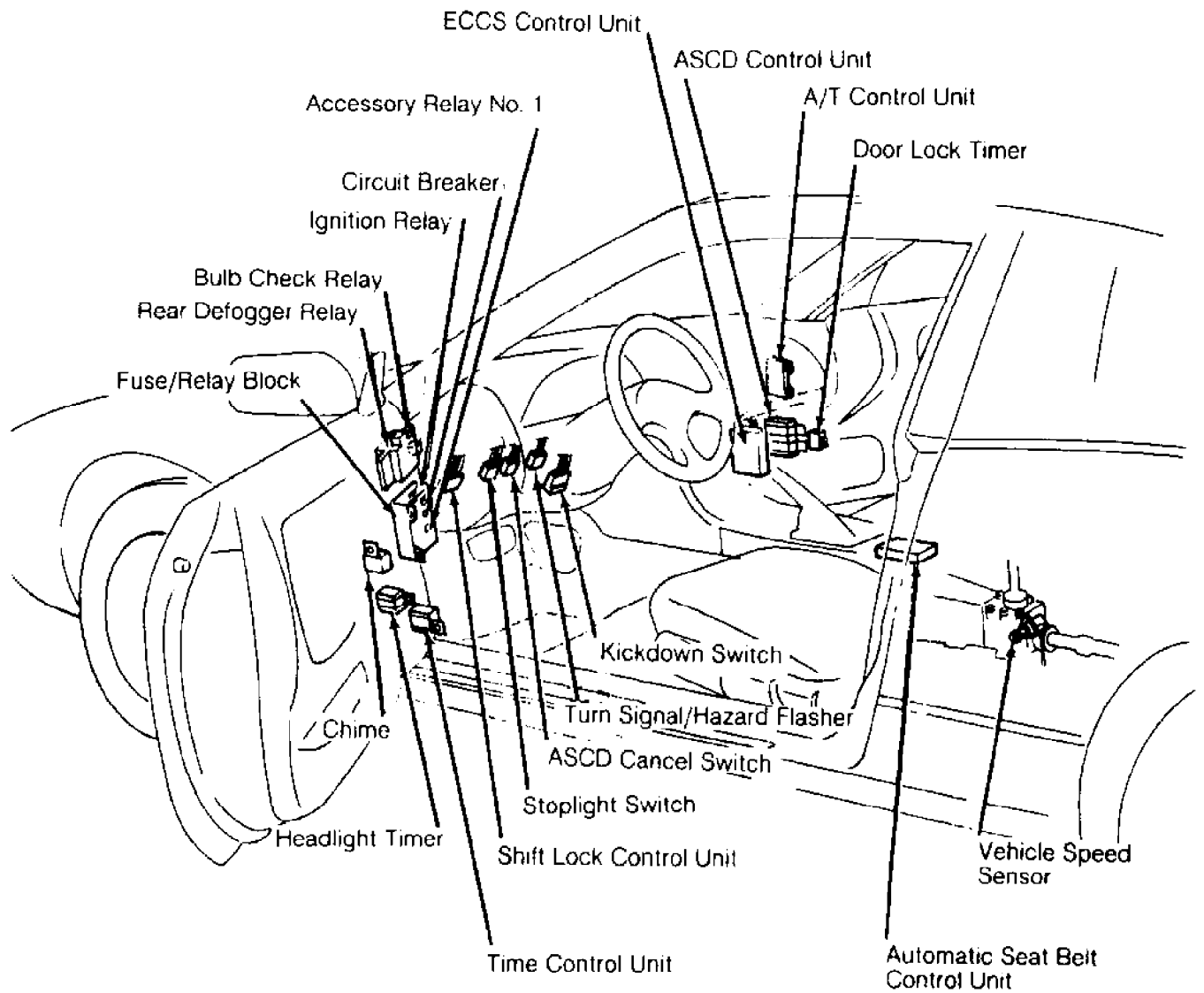
Automatic Seat Belt Control Unit

Under center console.



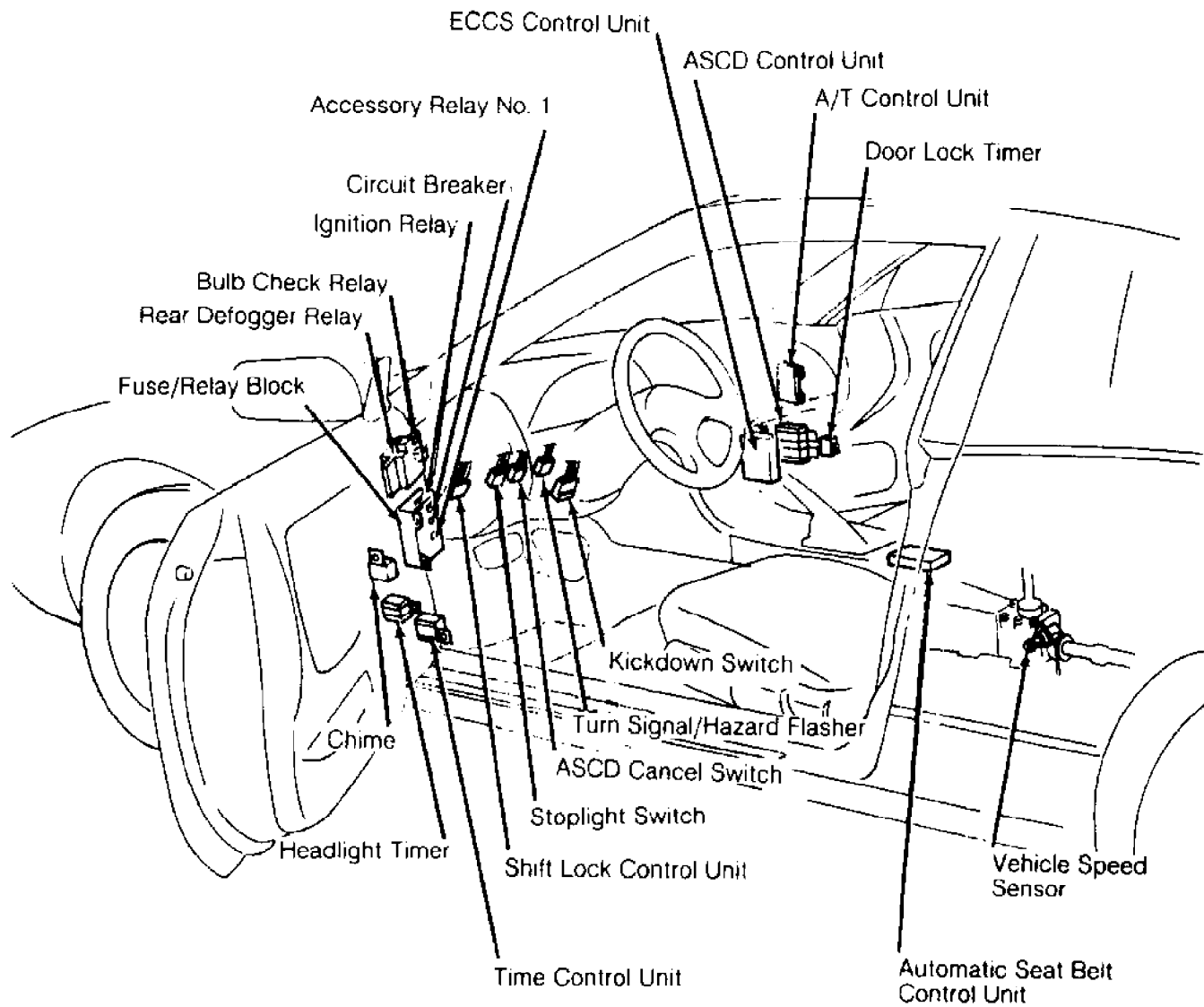
Daytime Light Control Unit

On right inner fender panel,
 beside battery.



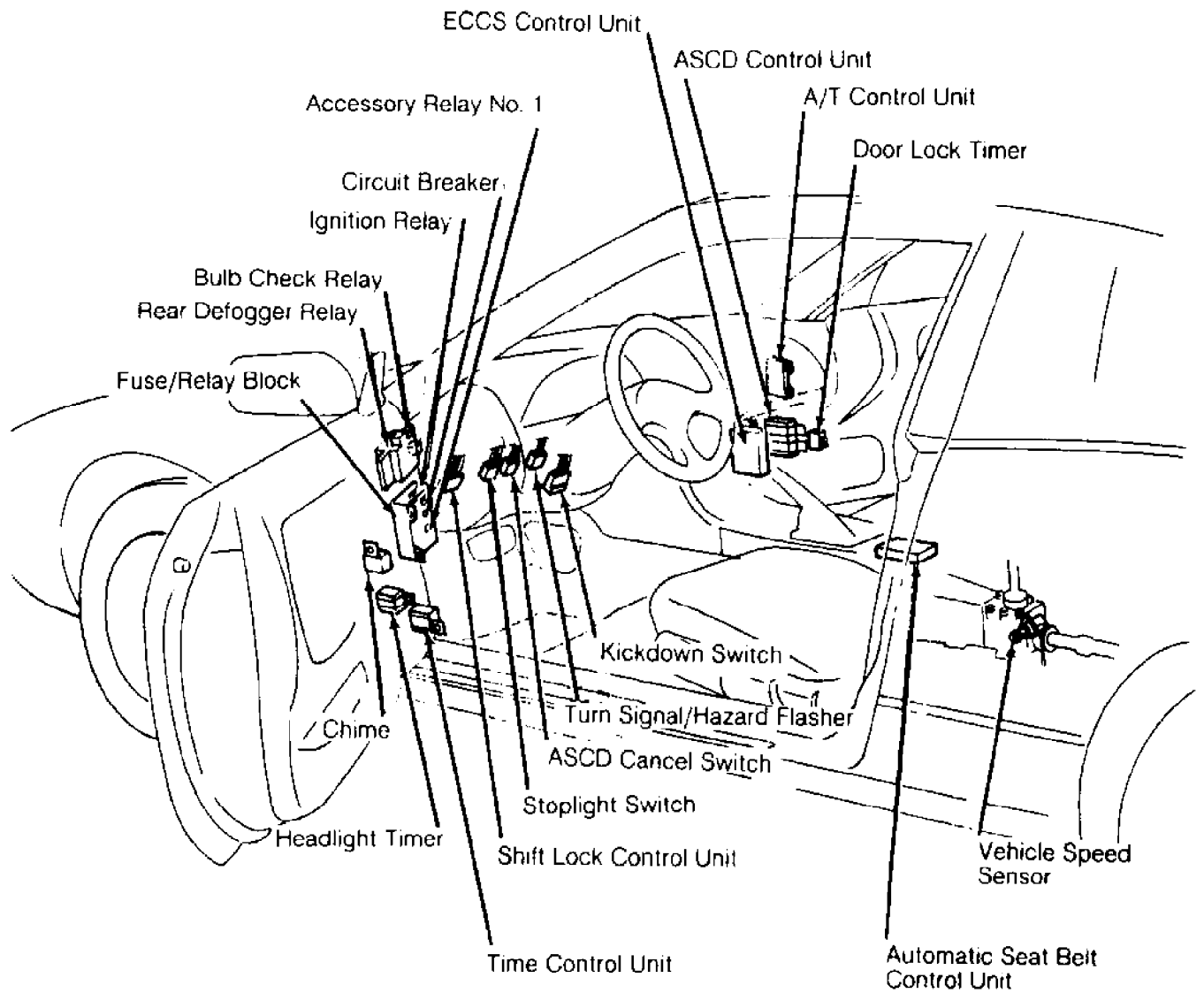
Electronic Concentrated Control System (ECCS) Control Unit

Behind right side kick panel.



Shift Lock Control Unit

Under left side of dash.



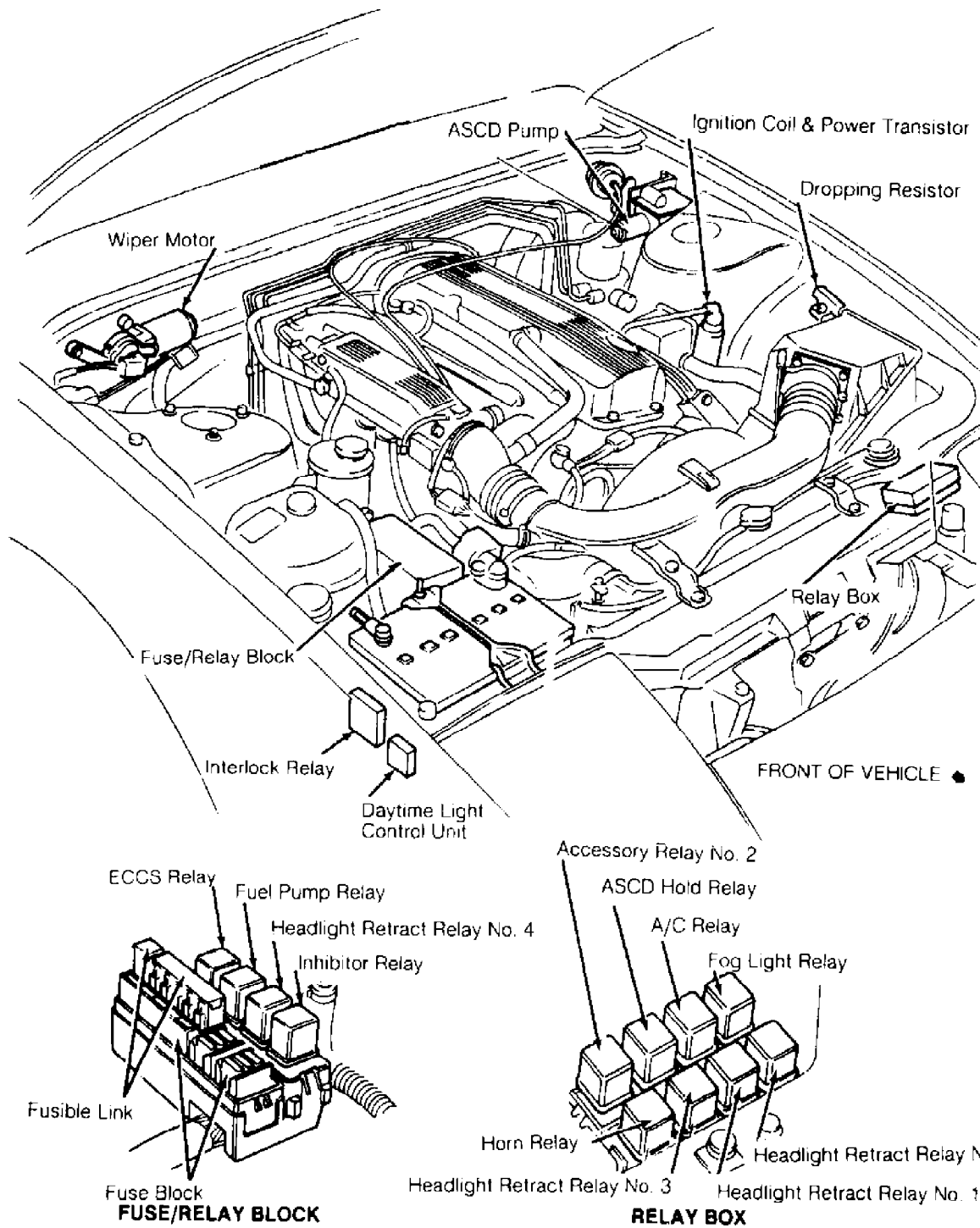
Time Control Unit

On driver's side kick panel,
 below fuse/relay block.

MOTORS

Component

Component Location

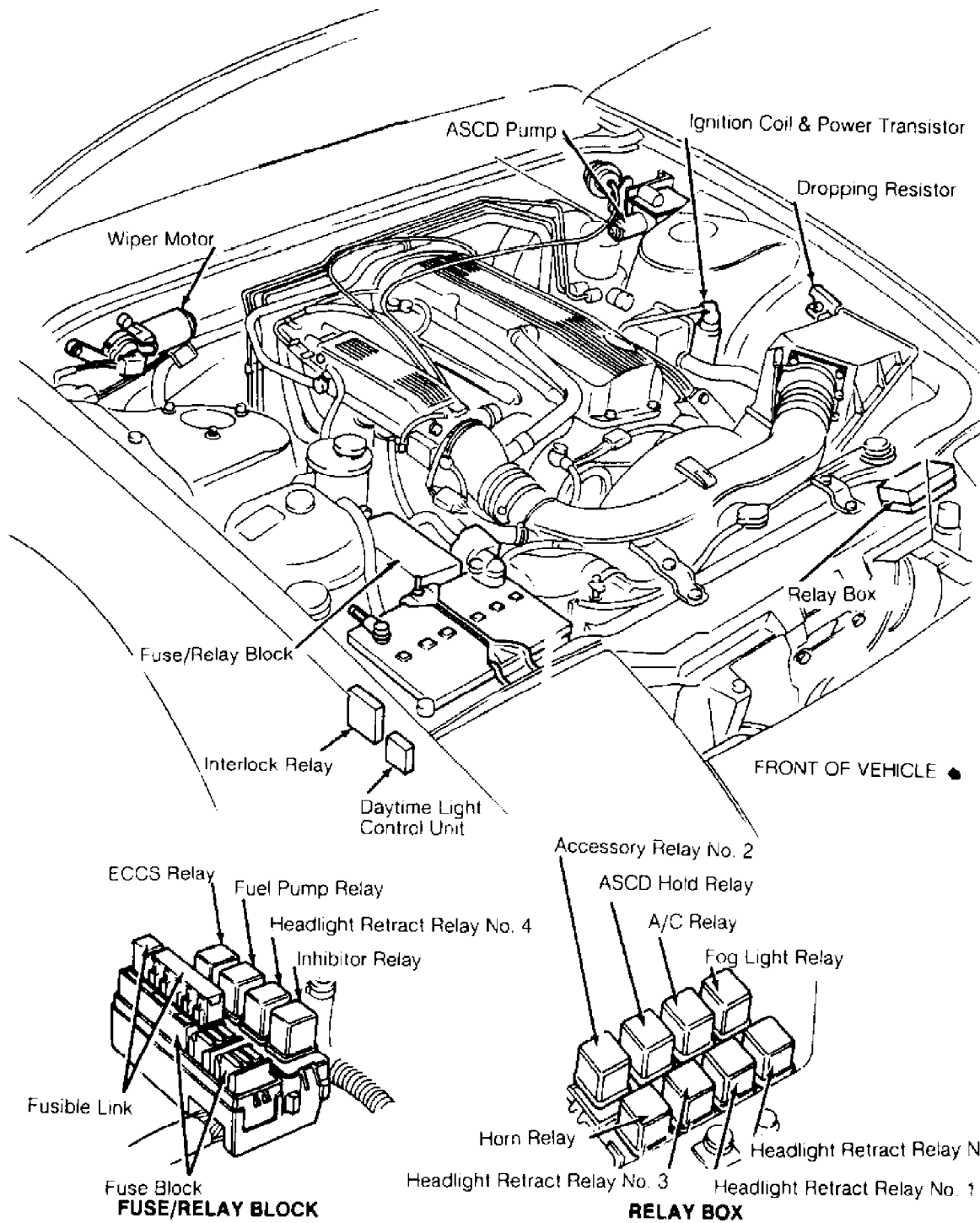


ASCN Pump Motor

On left rear corner of engine compartment, by shock tower.

Fuel Pump

In fuel tank.

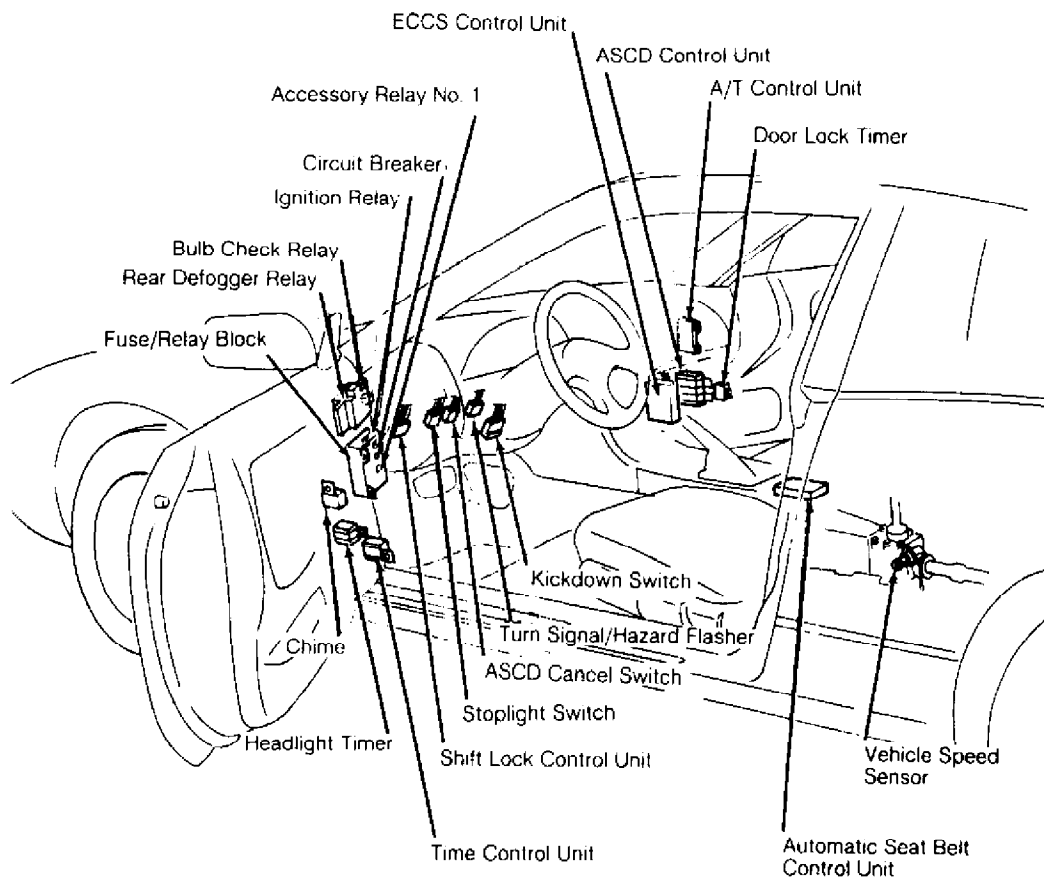


Windshield Wiper Motor

On left rear corner of engine compartment, on firewall.

SENDING UNITS & SENSORS

Component	Component Location
A/T Fluid Temperature Sensor	In transmission control valve lower body.
Airflow Meter	On air inlet duct.
Coolant Temperature Sensor	In thermostat housing.
Crank Angle Sensor	Incorporated into distributor.
Exhaust Gas Temp. Sensor (Calif.)	On exhaust manifold, by EGR valve.
Oil Pressure Sending Unit	On right side of engine block, near oil filter.
Oxygen Sensor	In exhaust manifold.
Throttle Position Sensor	On throttle chamber.



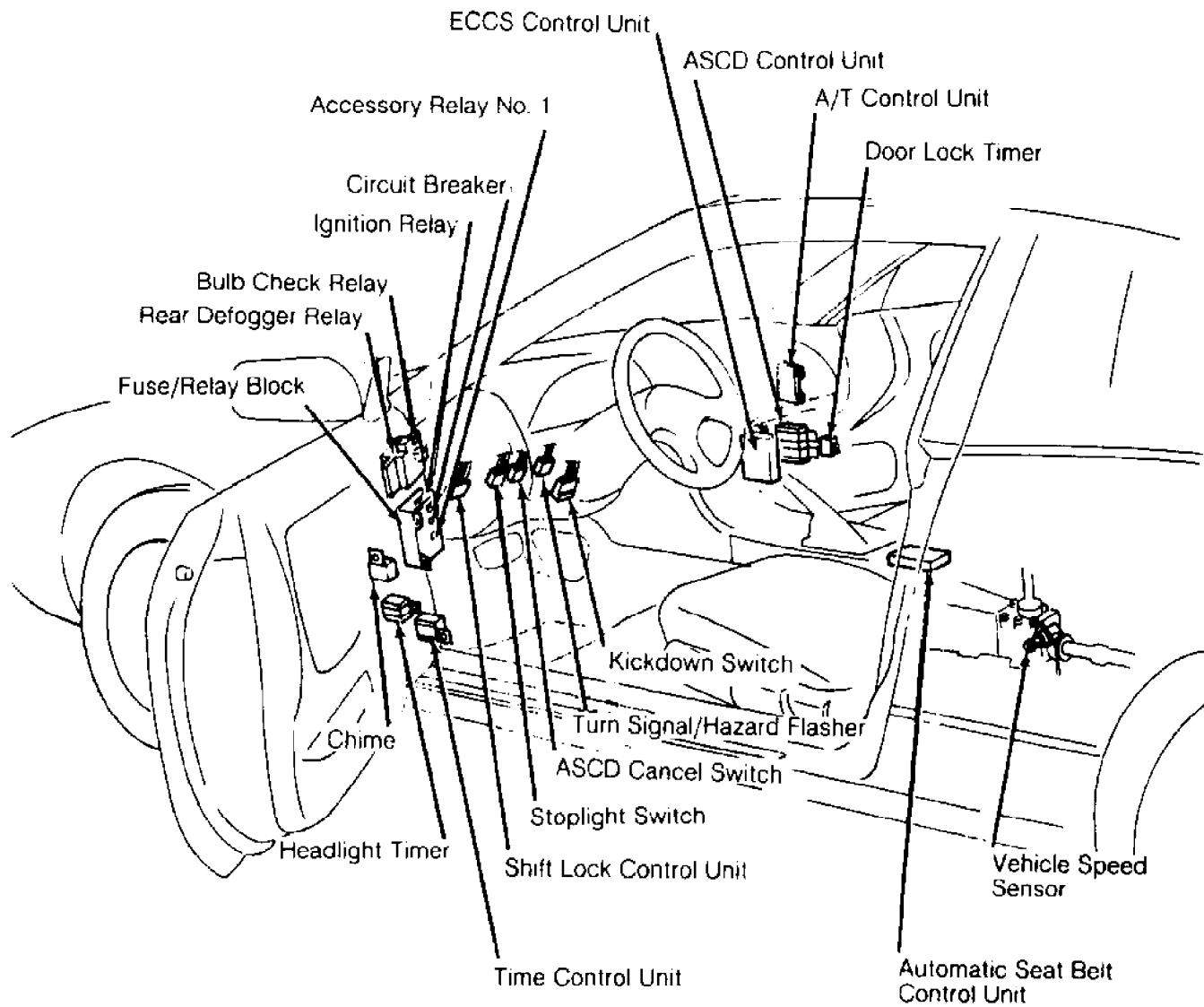
Vehicle Speed Sensor	On transmission tail shaft.
----------------------	-----------------------------

SOLENOIDS & SOLENOID VALVES

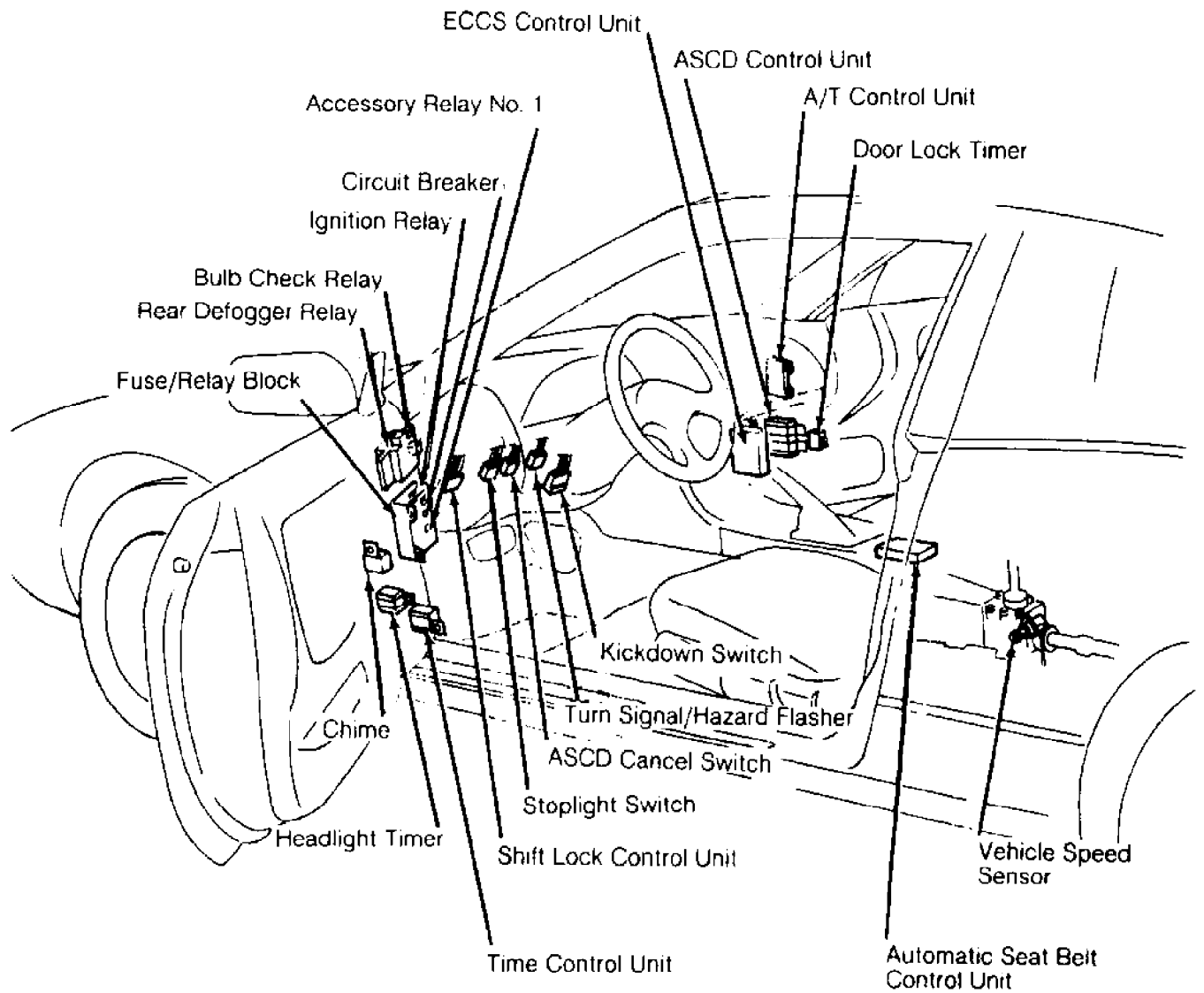
Component	Component Location
A/T Clutch Overrun Solenoid	In transmission control valve upper body.
A/T Line Pressure Switch	In transmission control valve upper body.
A/T Lock-Up Solenoid	In transmission control valve lower body.
A/T Shift Solenoid "A"	In transmission control valve upper body.
A/T Shift Solenoid "B"	In transmission control valve upper body.
Air Induction Valve Ctrl. Solenoid	On left strut tower.
Auxiliary Air Control (AAC) Valve	On intake manifold, on rear of engine.
EGR Control Solenoid Valve	On top of engine.
Fast Idle Control Device Solenoid	On top right side of engine.
Fuel Pressure Regulator Solenoid Valve	On rear of engine.
Idle Air Adjustment Valve	On intake manifold near FICD valve.
Swirl Control Solenoid Valve	On intake manifold, on rear of engine.

SWITCHES

Component	Component Location
A/C Dual Pressure Switch	On top of receiver-drier.



- | | |
|----------------------------|-------------------------------------|
| ASCD Cancel Switch | On brake pedal bracket. |
| Back-Up Light Switch (M/T) | On right side of transmission. |
| Clutch Switch (M/T) | On clutch pedal bracket. |
| Inhibitor Switch (A/T) | On right side of transmission case. |



Kickdown Switch (A/T)

On accelerator pedal bracket.

Neutral Switch (M/T)

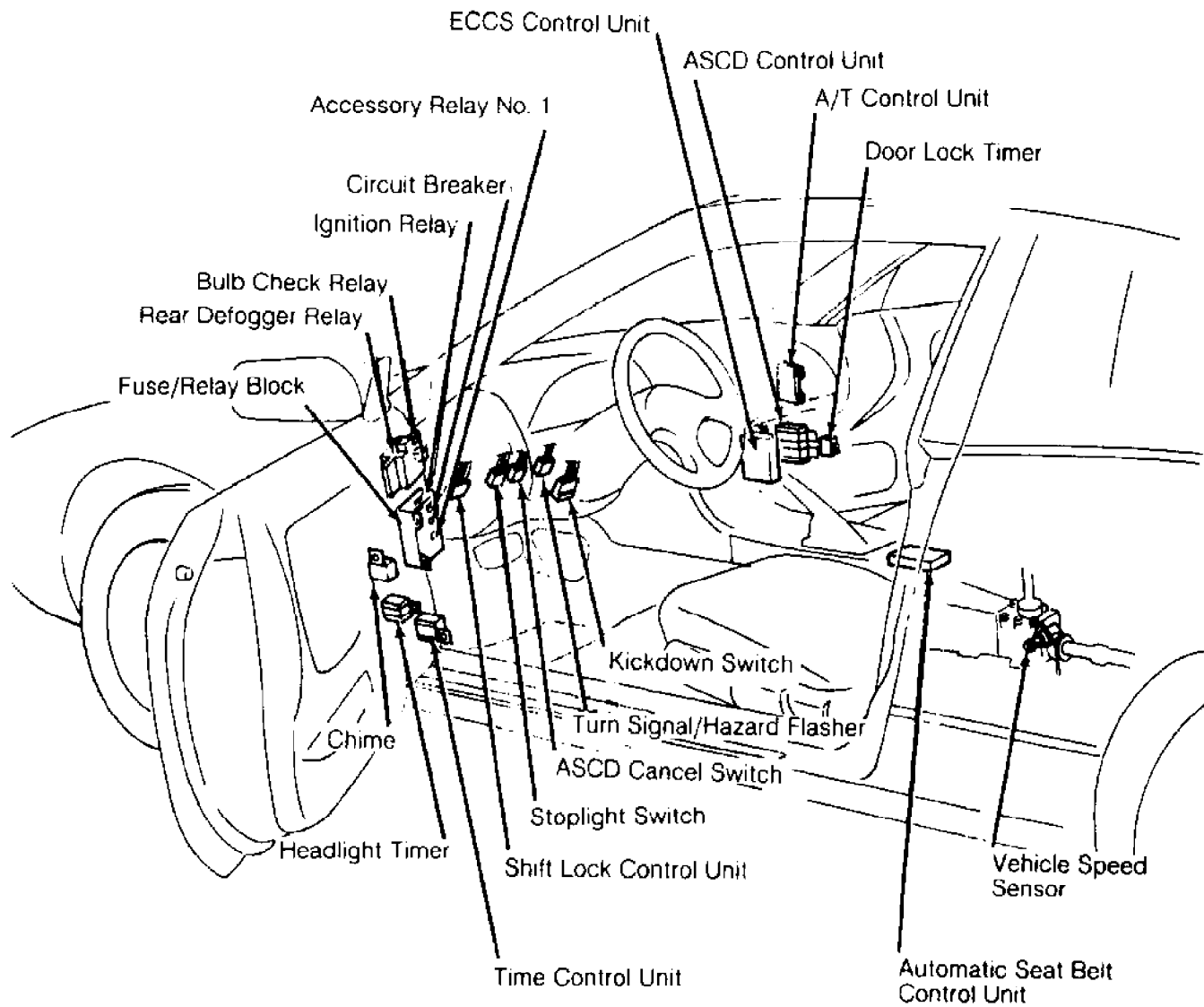
On right side of transmission extension housing.

Overdrive Switch

On right side of transmission.

Power Steering Pressure Switch

On power steering pump.



Stoplight Switch

Above brake pedal.

Thermoswitch

On lower radiator hose inlet.

MISCELLANEOUS

Component

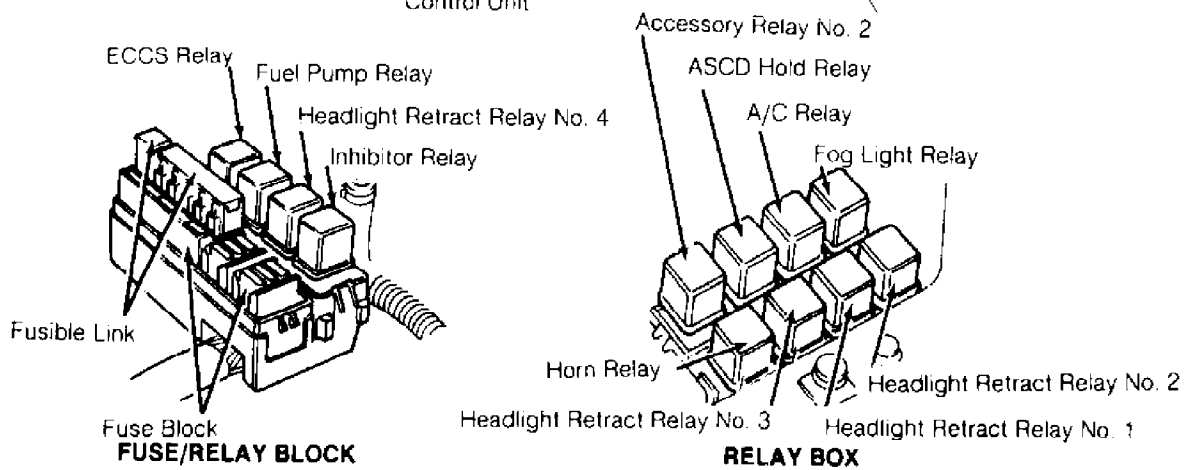
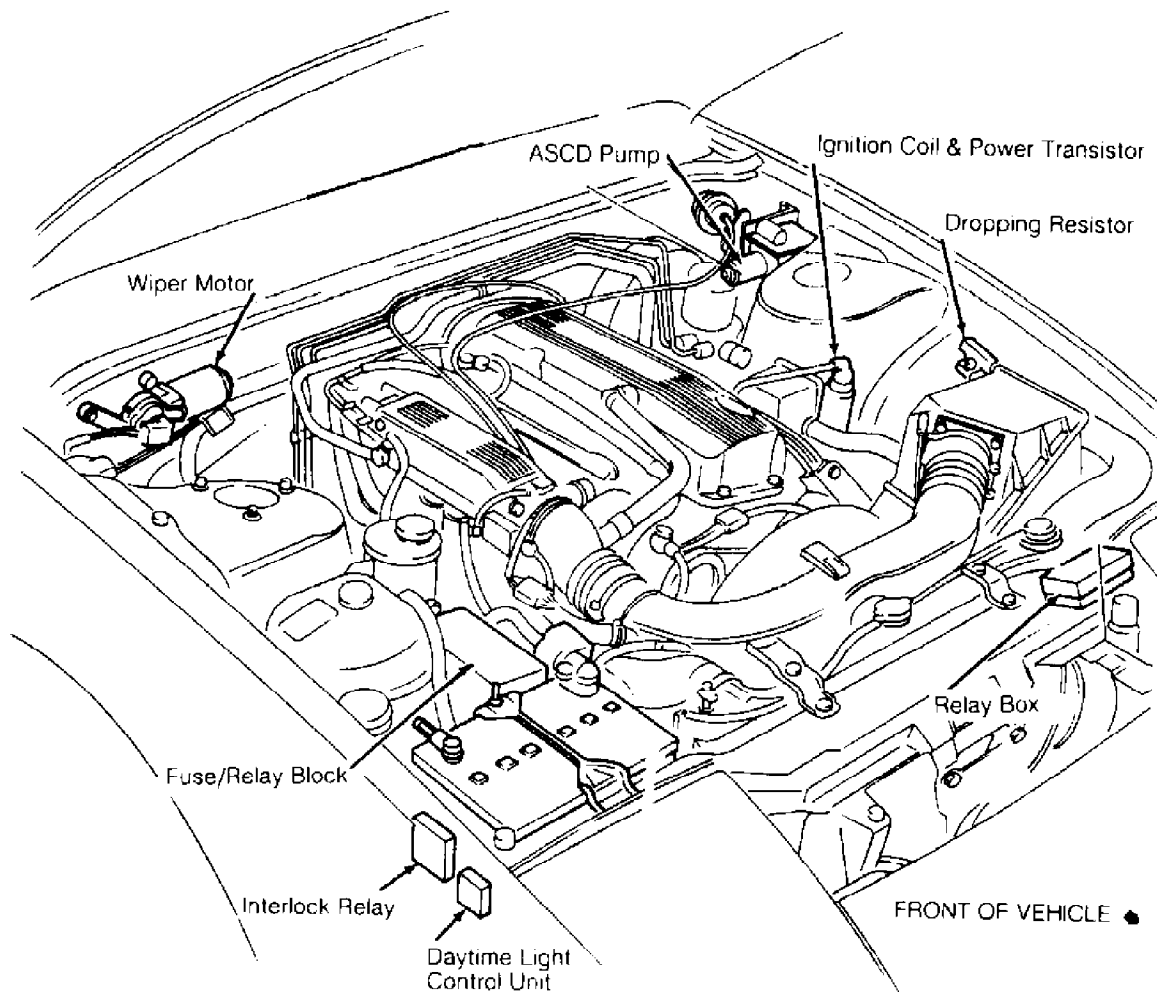
Component Location

A/C-Heater Blower Motor Resistor

Under right side of dash, on cooling unit.

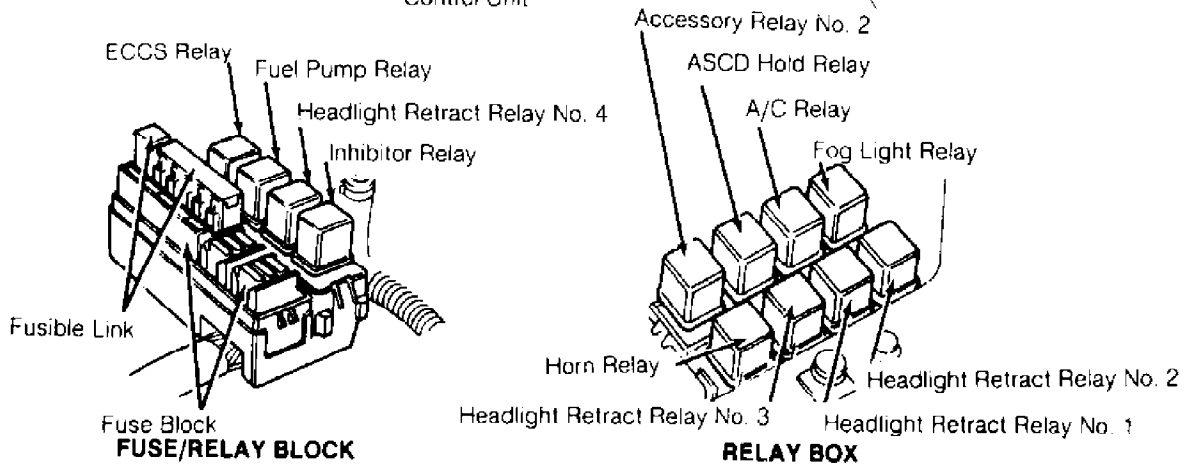
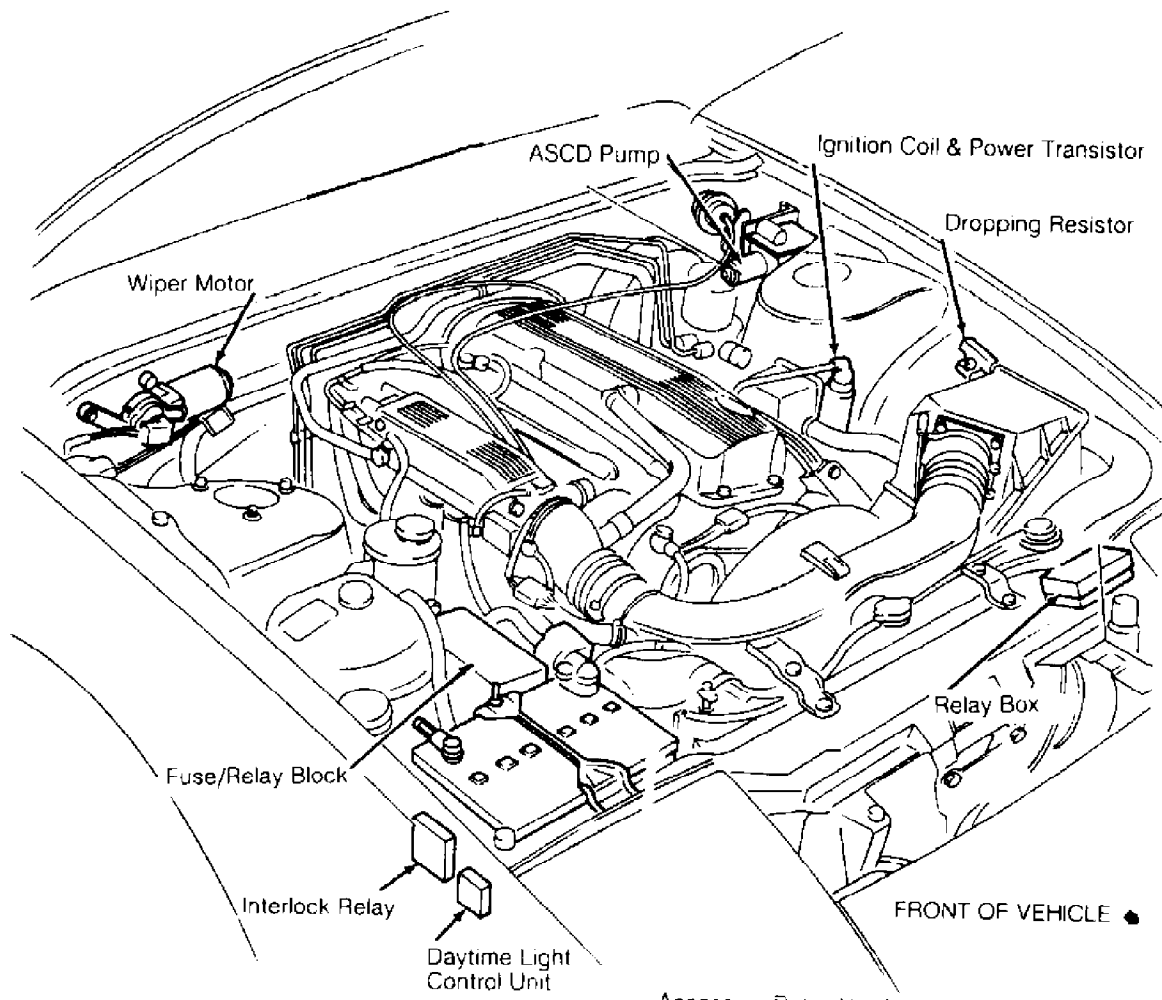
A/C Thermo Control Amplifier

Under right side of dash, on cooling unit.



Dropping Resistor

On left front corner of engine compartment.



Ignition Coil & Power Transistor

On left front corner of engine compartment.

Power Window Amplifier

Behind panel, on driver's side door.



Rear Wiper Amplifier

In trunk, behind rear trim
panel (on center brace).

