

USER INFORMATION
WARNING
F.C.C. REGULATION COMPLIANCE


THIS EQUIPMENT COMPLIES WITH THE REQUIREMENTS IN PART 15 OF FCC RULES FOR A CLASS A COMPUTING DEVICE. OPERATION OF THIS EQUIPMENT IN A RESIDENTIAL AREA MAY CAUSE UNACCEPTABLE INTERFERENCE TO RADIO AND TV RECEPTION REQUIRING THE OPERATOR TO TAKE WHATEVER STEPS ARE NECESSARY TO CORRECT THE INTERFERENCE.



815 Mittel Drive, Wood Dale, Illinois 60191
Telephone: (312) 595-1443, Telex: 6871385 KONAM UW, Fax: (312) 595-2973



INSTRUCTION MANUAL

MAIN EVENT™ is a registered trademark of Konami Inc. © 1988 Konami Inc.
 *KONAMI® is a trademark of Konami Industry Co., Ltd.*

MAIN EVENT: WIRING HARNESS

WIRE COLOR KEY:

| | | Solder Side ← | | → Parts Side | |
|---------------|-------------|---------------|----|--------------|--------------|
| BLACK | GND | A | 1 | GND | BLACK |
| BLACK | GND | B | 2 | GND | BLACK |
| RED | + 5V DC | C | 3 | + 5V DC | RED |
| RED | + 5V DC | D | 4 | + 5V DC | RED |
| | NOT USED | E | 5 | NOT USED | |
| ORANGE | + 12V DC | F | 6 | + 12V DC | ORANGE |
| | *KEY | H | 7 | *KEY | |
| | (EMPTY) | J | 8 | COIN COUNTER | GREEN/GRAY |
| | (EMPTY) | K | 9 | (EMPTY) | |
| YELLOW | SPEAKER (-) | L | 10 | SPEAKER (+) | BLUE |
| | (EMPTY) | M | 11 | (EMPTY) | |
| WHITE/GREEN | VIDEO GREEN | N | 12 | VIDEO RED | RED/WHITE |
| WHITE | VIDEO SYNC | P | 13 | VIDEO BLUE | BLUE/WHITE |
| | (EMPTY) | R | 14 | VIDEO GROUND | BLACK |
| | (EMPTY) | S | 15 | (EMPTY) | |
| VIOLET/WHITE | COIN 2 | T | 16 | COIN 1 | BLUE/BROWN |
| RED/GREEN | 2P START | U | 17 | 1P START | PINK/YELLOW |
| BLUE/YELLOW | 2P UP | V | 18 | 1P UP | ORANGE/WHITE |
| VIOLET/YELLOW | 2P DOWN | W | 19 | 1P DOWN | BLACK/WHITE |
| ORANGE/GREEN | 2P LEFT | X | 20 | 1P LEFT | RED/GRAY |
| ORANGE/YELLOW | 2P RIGHT | Y | 21 | 1P RIGHT | GRAY/WHITE |
| BLACK/YELLOW | 2P TAG | Z | 22 | 1P TAG | RED/WHITE |
| ORANGE/GRAY | 2P ACTION | a | 23 | 1P ACTION | GREEN/BROWN |
| | NOT USED | b | 24 | NOT USED | |
| | NOT USED | c | 25 | NOT USED | |
| | NOT USED | d | 26 | NOT USED | |
| BLACK | GND | e | 27 | GND | BLACK |
| BLACK | GND | f | 28 | GND | BLACK |

(BASE COLOR/LINE COLOR)

MAIN EVENT: SUB HARNESS

| | | | |
|--|----|------------|--------------|
| CN3 3P CONTROLS | 1 | Coin 3 | White/Violet |
| | 2 | Empty | |
| | 3 | 3P Left | White/Red |
| | 4 | 3P Right | White/Yellow |
| | 5 | 3P Up | White/Black |
| | 6 | 3P Down | White/Blue |
| | 7 | 3P Tag | White/Brown |
| | 8 | 3P Action | White/Orange |
| | 9 | Empty | |
| | 10 | Empty | |
| | 11 | Empty | |
| | 12 | Empty | |
| | 13 | Empty | |
| | 14 | Empty | |
| | 15 | Ground | Black |
| CN4 4P CONTROLS | 1 | Coin 4 | Blue |
| | 2 | Empty | |
| | 3 | 4P Left | Yellow/Black |
| | 4 | 4P Right | Brown/Black |
| | 5 | 4P Up | Green/Yellow |
| | 6 | 4P Down | Yellow/Red |
| | 7 | 4P Tag | Yellow/White |
| | 8 | 4P Action | Yellow/Blue |
| | 9 | Empty | |
| | 10 | Empty | |
| | 11 | Empty | |
| | 12 | Empty | |
| | 13 | Empty | |
| | 14 | Empty | |
| | 15 | Ground | Black |
| CN2 ACTION LAMP OUTPUTS | 1 | Lamp 1 | Violet |
| | 2 | Lamp 2 | Blue |
| | 3 | Lamp 3 | Green |
| | 4 | Lamp 4 | Yellow |
| | 5 | Empty | |
| | 6 | + 12 Volts | Black |

DIP SWITCH SETTINGS

DIP SWITCH NO. 1 SETTINGS

1. COIN 1

| SW | 1 | 2 | 3 | 4 | COIN | CREDIT |
|----|-----|-----|-----|-----|------|--------|
| • | OFF | OFF | OFF | OFF | 1 | 1 |
| | ON | OFF | OFF | OFF | 1 | 2 |
| | OFF | ON | OFF | OFF | 1 | 3 |
| | ON | ON | OFF | OFF | 1 | 4 |
| | OFF | OFF | ON | OFF | 1 | 5 |
| | ON | OFF | ON | OFF | 1 | 6 |
| | OFF | ON | OFF | OFF | 1 | 7 |
| | ON | ON | OFF | OFF | 2 | 1 |
| | OFF | OFF | OFF | ON | 2 | 3 |
| | ON | OFF | OFF | ON | 2 | 5 |
| | OFF | ON | OFF | ON | 3 | 1 |
| | ON | ON | OFF | ON | 3 | 2 |
| | OFF | OFF | ON | ON | 3 | 4 |
| | ON | OFF | ON | ON | 4 | 1 |
| | OFF | ON | ON | ON | 4 | 3 |
| | ON | ON | ON | ON | 4 | 5 |

SW5 through SW8 are not used.

DIP SWITCH NO. 2 SETTINGS

1. BONUS ENERGY

| SW | 1 | 2 | ENERGY |
|----|-----|-----|--------|
| • | OFF | OFF | 90 |
| | ON | OFF | 80 |
| | OFF | ON | 70 |
| | ON | ON | 60 |

2. DIFFICULTY OF THE GAME

| SW | 6 | 7 | DIFFICULTY |
|----|-----|-----|----------------|
| • | OFF | OFF | EASY |
| | ON | OFF | NORMAL |
| | OFF | ON | DIFFICULT |
| | ON | ON | VERY DIFFICULT |

3. SOUND IN ATTRACTIVE MODE

| SW | 8 | SOUND |
|----|-----|-------|
| • | OFF | OFF |
| | ON | ON |

SW 1, SW2 and SW3 are not used.

DIP SWITCH NO.3 SETTINGS

1. VIDEO SCREEN FLIP

| SW | 1 | |
|----|-----|-------------|
| • | OFF | NORMAL |
| | ON | UPSIDE DOWN |

2. CHANGE OF MODE

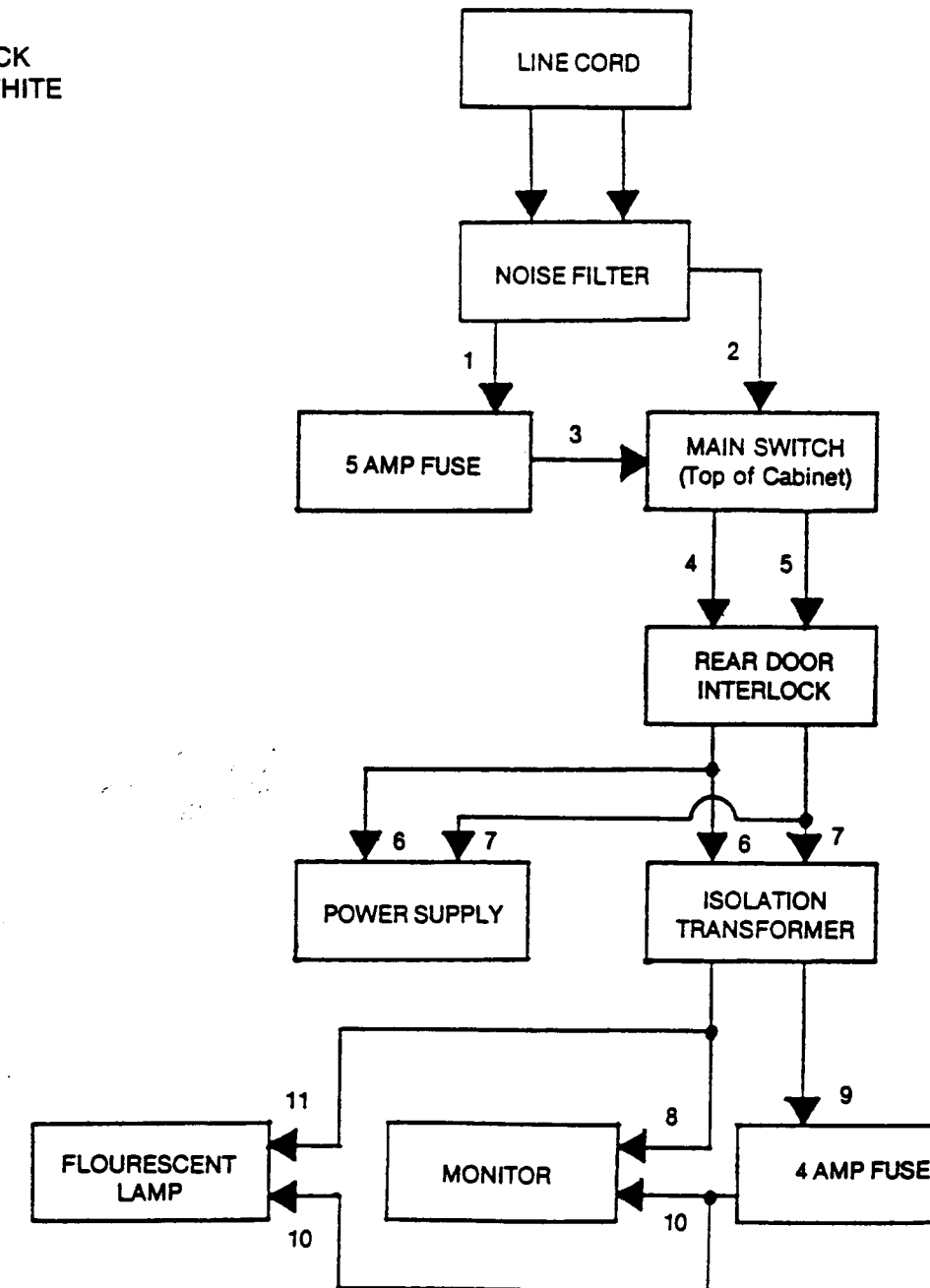
| SW | 3 | MODE |
|----|-----|------|
| • | OFF | GAME |
| | ON | TEST |

SW2 and SW4 are not used.

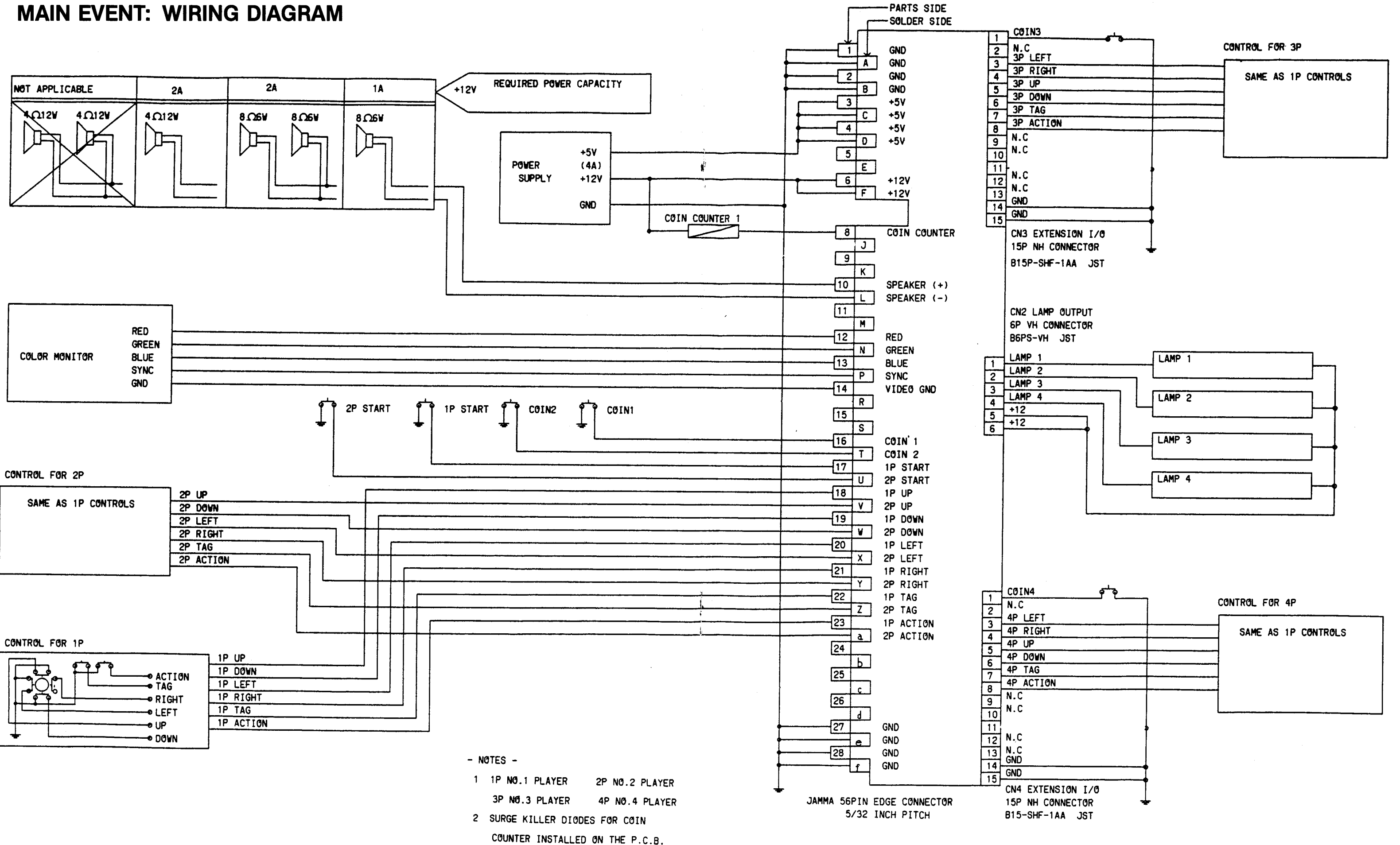
- Shows recommended settings

MAIN EVENT: AC FLOW CHART

1. GREEN/YELLOW
2. BLACK
3. RED
4. BLUE
5. BROWN
6. RED/BLACK
7. BLACK/WHITE
8. WHITE
9. GREEN
10. VIOLET
11. ORANGE

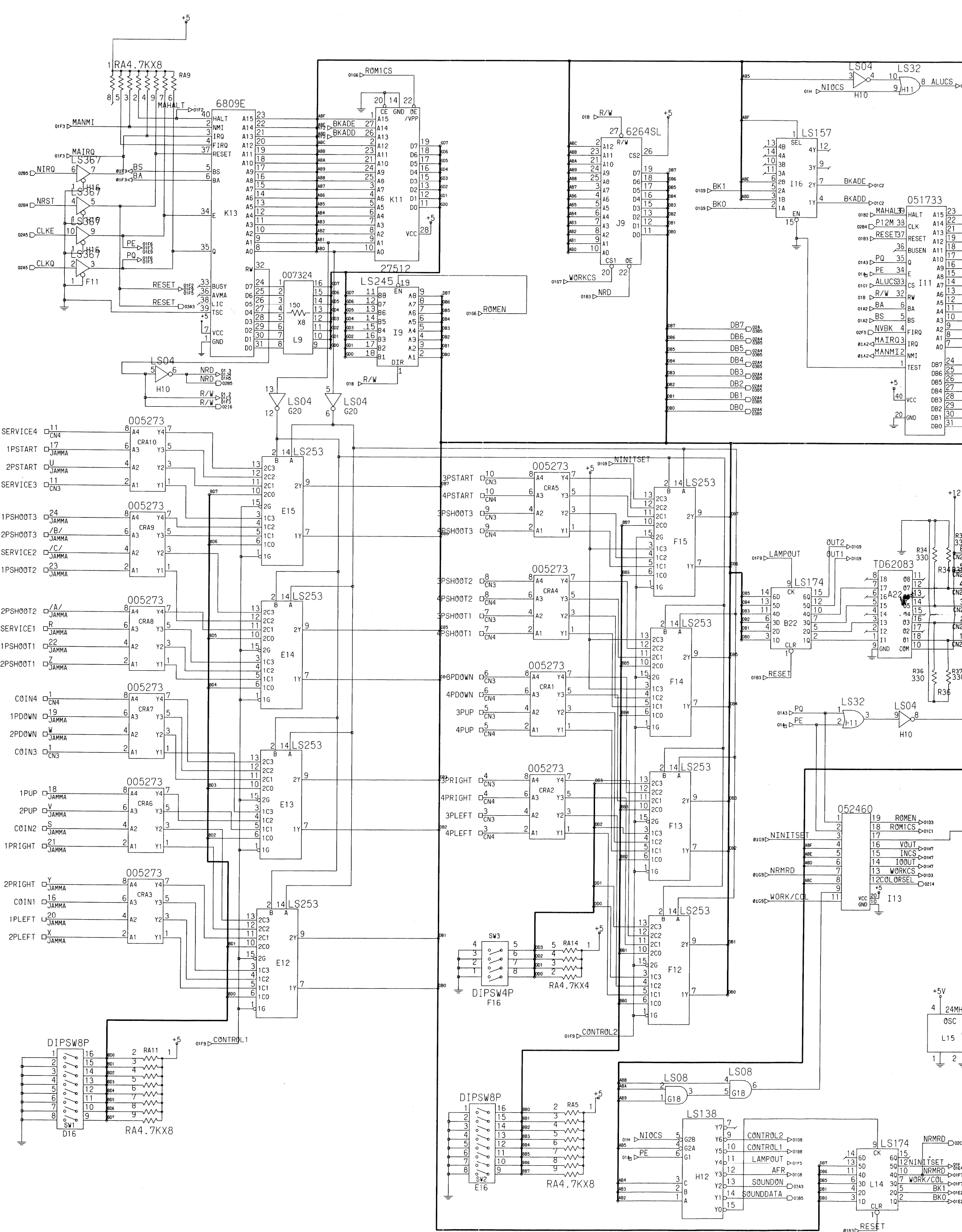


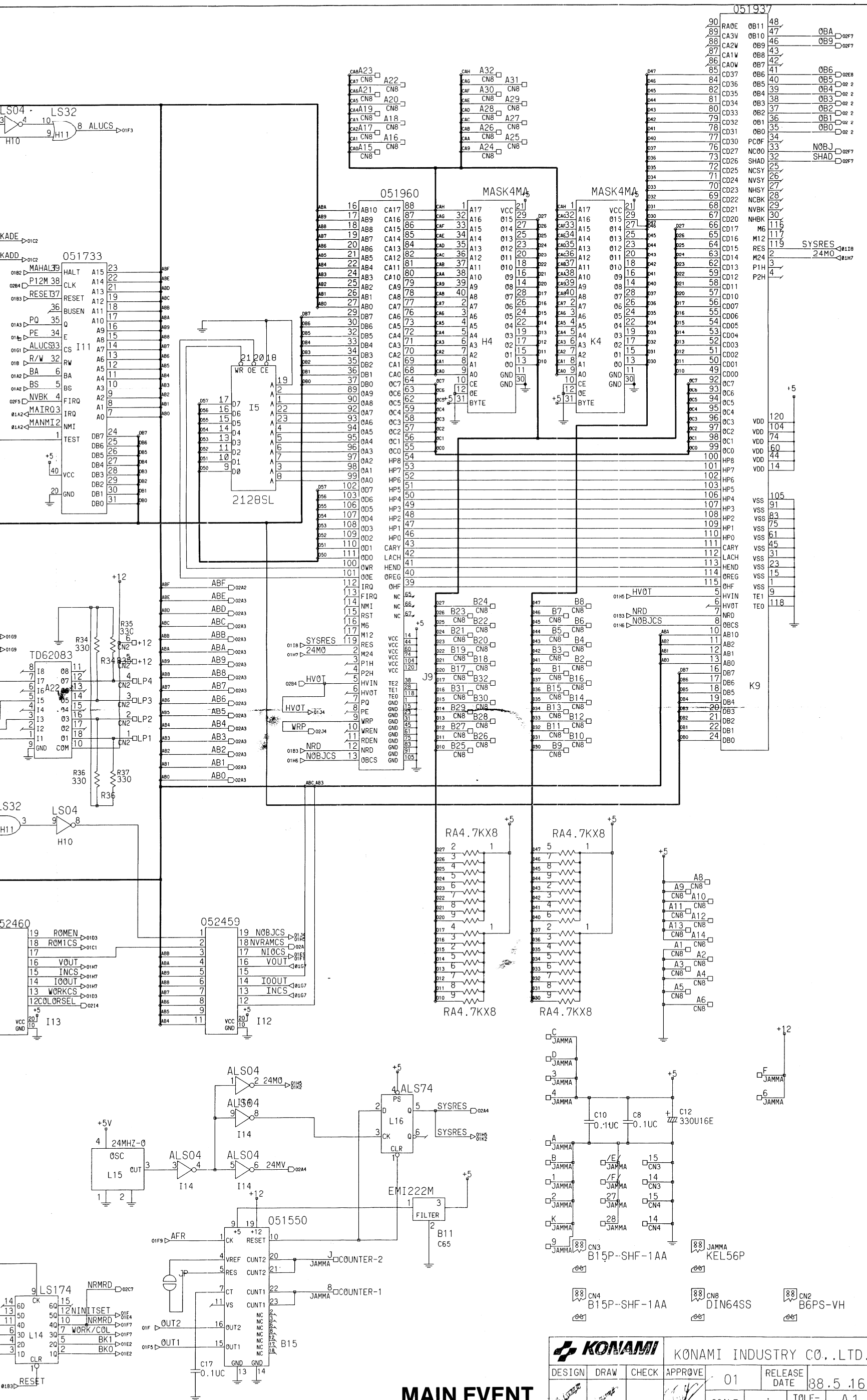
MAIN EVENT: WIRING DIAGRAM



- NOTES -

- 1P NO.1 PLAYER 2P NO.2 PLAYER
3P NO.3 PLAYER 4P NO.4 PLAYER
- SURGE KILLER DIODES FOR COIN COUNTER INSTALLED ON THE P.C.B.





NOTE

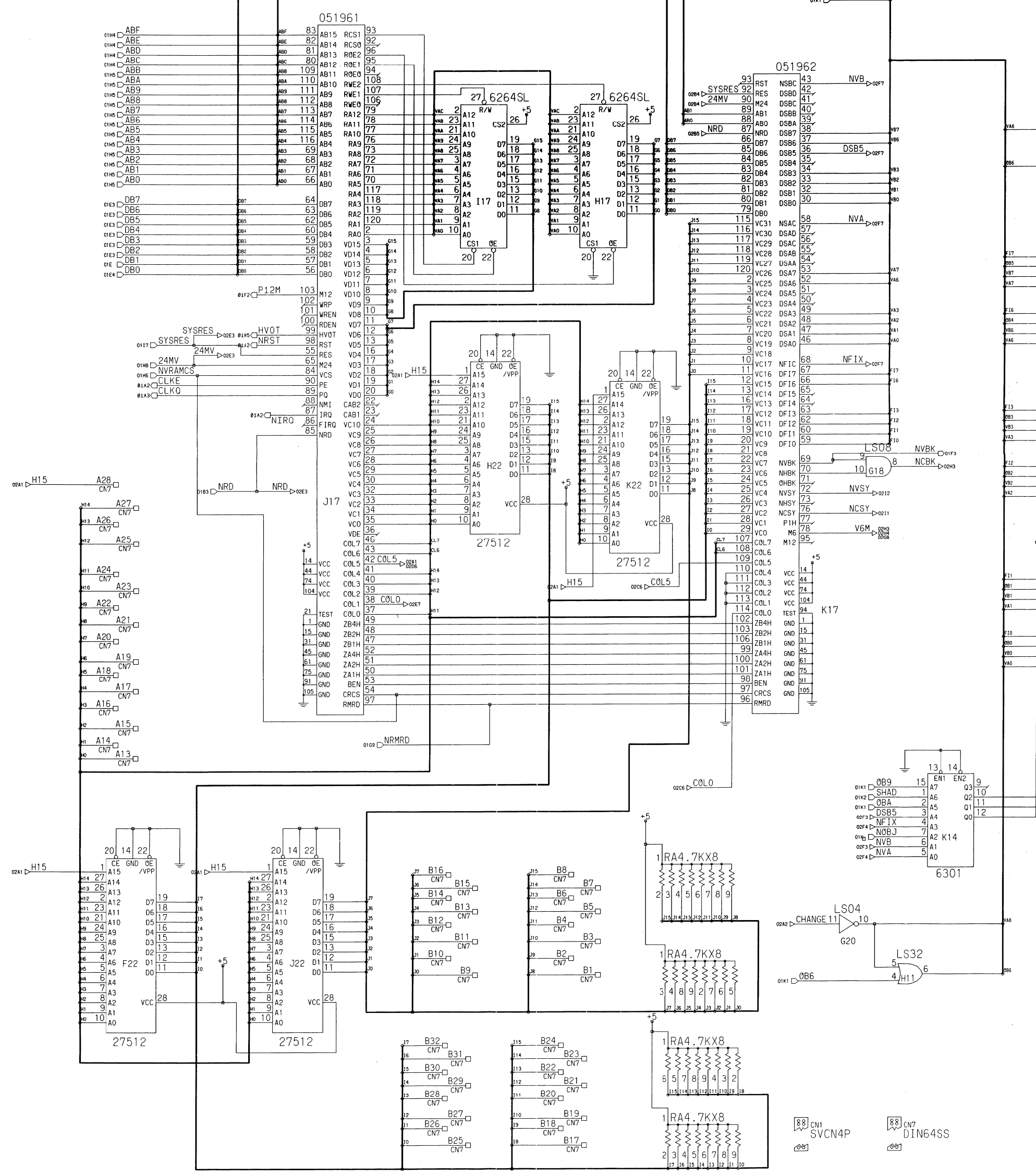
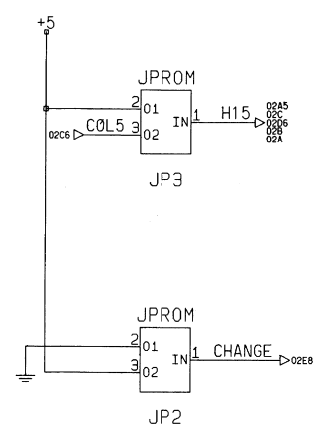
- +5 : VCC(+5V)
- +12 : VCC(+12V)
- ⊥ : GND
- JAMMA : JAMMA EDGE 56P
- PIN NO. : ALPHABET: SOLDER SIDE
NUMBER: PARTS SIDE
/A/: SMALL LETTER
- CN1 : 4P SV CONNECTOR
- CN2 : 6P VH CONNECTOR
- CN3 : 15P NH CONNECTOR
- CN4 : 15P NH CONNECTOR
- CN5 : 64P DIN CONNECTOR
- CN6 : 64P DIN CONNECTOR
- CN7 : 64P DIN CONNECTOR
- CN8 : 64P DIN CONNECTOR

KINDS OF CAPACITOR

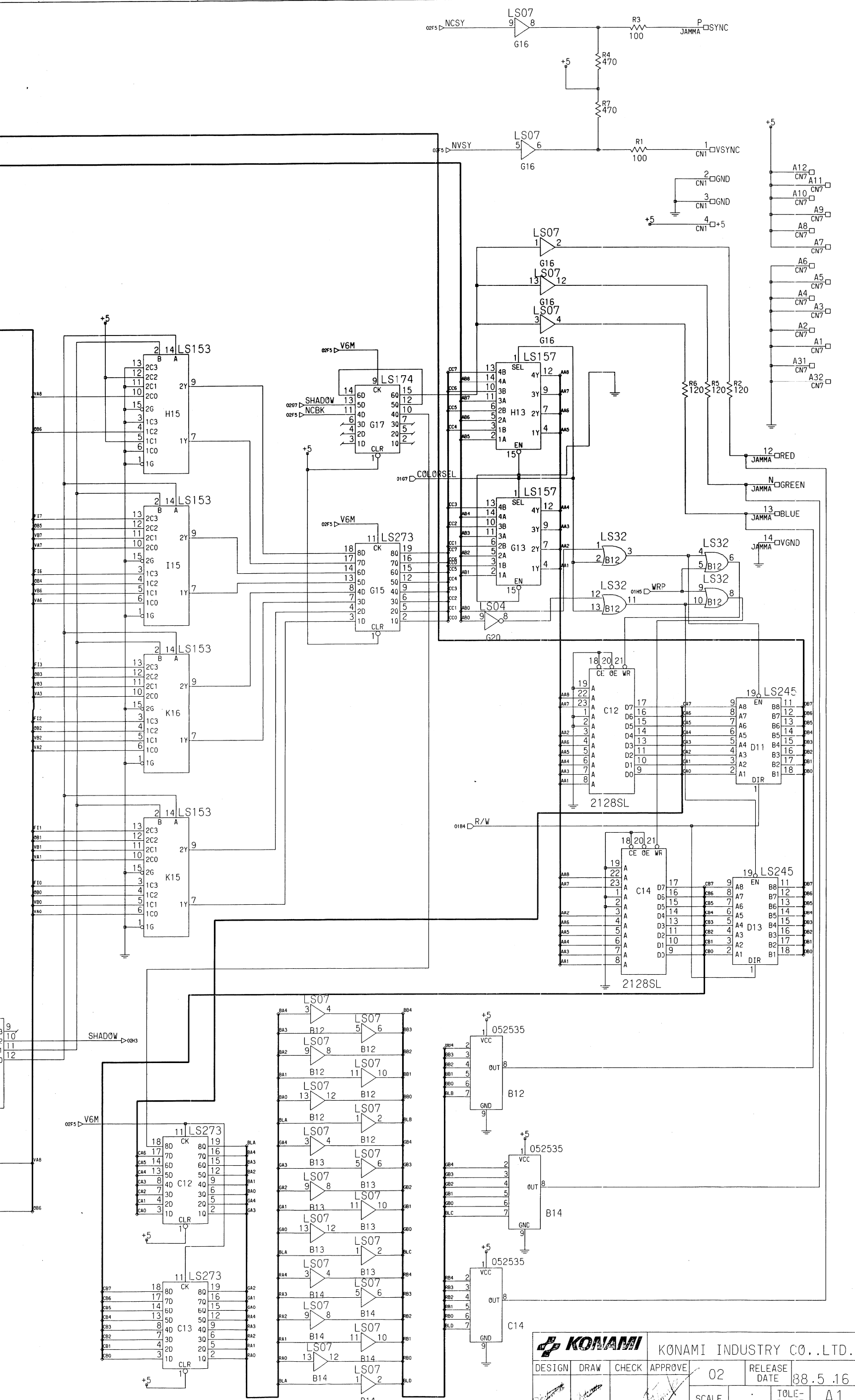
- T : TANTALUM
- M : MYLAR
- E : ELECTROLYTIC
- C : CERAMIC

MAIN EVENT

| | | | | | | | | |
|---------------|------|-------|------------|---------------------------|--------------|-----------|-------------------|---------------------------|
| KONAMI | | | | KONAMI INDUSTRY CO., LTD. | | REG. TYPE | SCHEMATIC DIAGRAM | |
| DESIGN | DRAW | CHECK | APPROVE | 01 | RELEASE DATE | 88.5.16 | NAME | GX799/GX890 PWB351024A |
| SCALE | | | TOLE-RANCE | | A1 | | CODE NO. | 100098 1/3 |



88 CN1 SVCN4P
88 CN7 DIN64SS

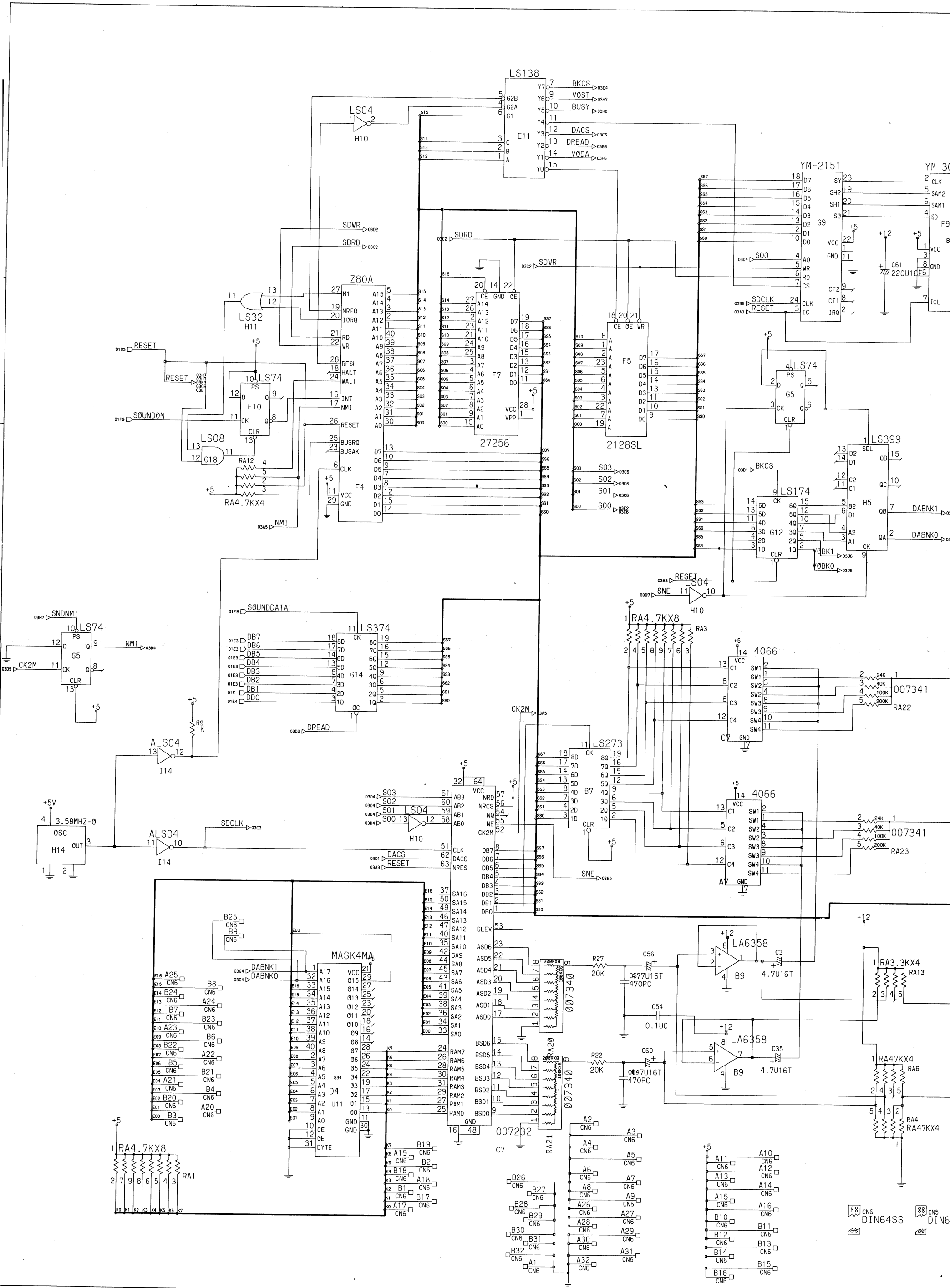


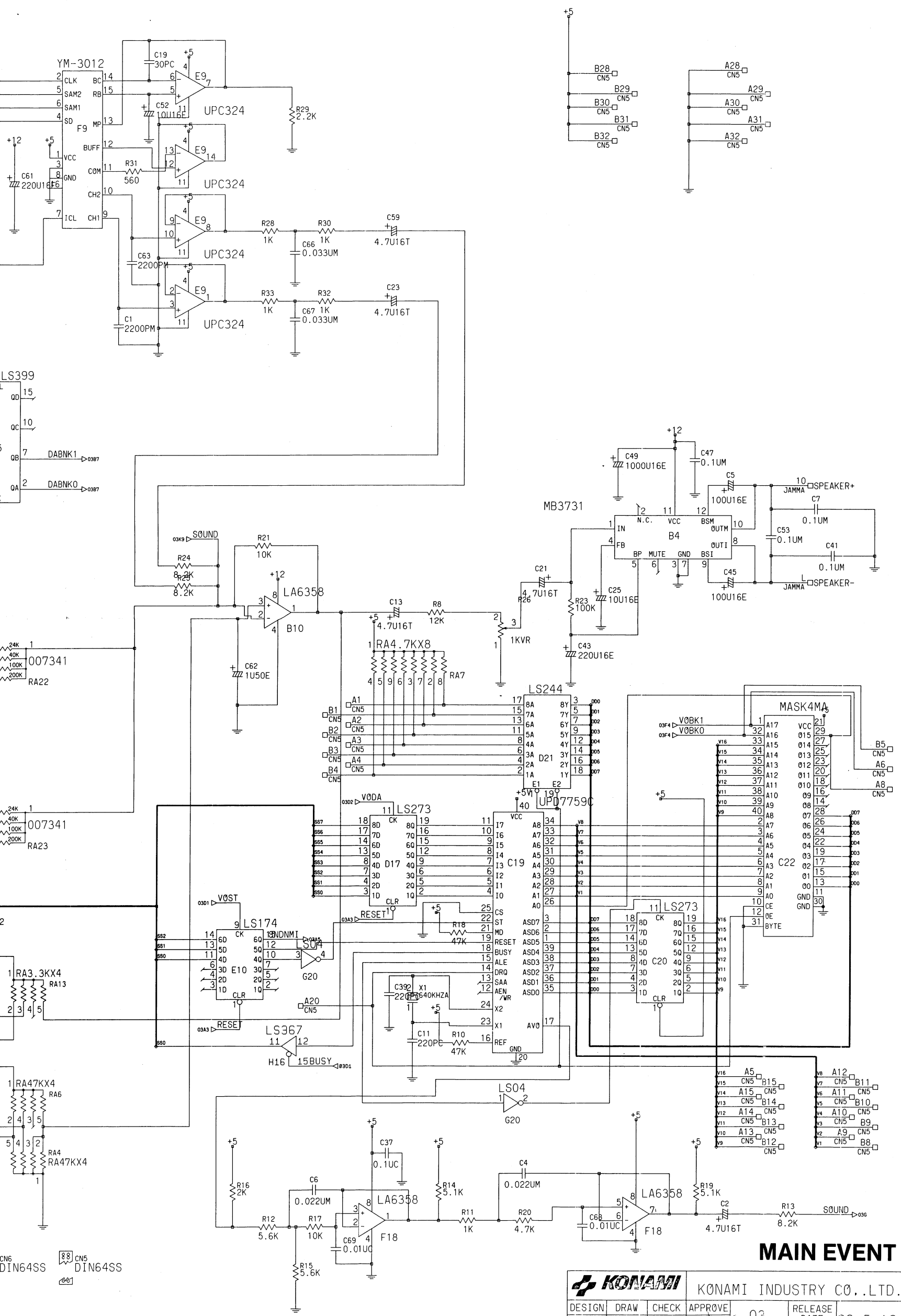
NOTE

- +5 : VCC(+5V)
- +12 : VCC(+12V)
- ⊥ : GND
- JAMMA □ : JAMMA EDGE 56P
- PIN NO.
- ALPHABET: SOLDER SIDE
- NUMBER: PARTS SIDE
- /A/: SMALL LETTER
- CNT □ : 4P SV CONNECTOR
- CN2 □ : 6P VH CONNECTOR
- CN3 □ : 15P NH CONNECTOR
- CN4 □ : 15P NH CONNECTOR
- CN5 □ : 64P DIN CONNECTOR
- CN6 □ : 64P DIN CONNECTOR
- CN7 □ : 64P DIN CONNECTOR
- CN8 □ : 64P DIN CONNECTOR

KINDS OF CAPACITOR
 T : TANTALUM
 M : MYLAR
 E : ELECTROLYTIC
 C : CERAMIC

| | | | | | | | |
|---------------|------|-------|---------|---------------------------|--------------|------------|-------------------|
| KONAMI | | | | KONAMI INDUSTRY CO., LTD. | | REG. TYPE | SCHEMATIC DIAGRAM |
| DESIGN | DRAW | CHECK | APPROVE | 02 | RELEASE DATE | 88.5.16 | NAME |
| | | | | | SCALE | TOLE-RANCE | A1 |
| | | | | | | CODE NO. | 100098 2/3 |





NOTE

- +5 : VCC(+5V)
- +12 : VCC(+12V)
- ⊥ : GND
- JAMMA : JAMMA EDGE 56P
- PIN NO.
- ALPHABET: SOLDER SIDE
- NUMBER: PARTS SIDE
- /A/: SMALL LETTER
- CN1 : 4P SV CONNECTOR
- CN2 : 6P VH CONNECTOR
- CN3 : 15P NH CONNECTOR
- CN4 : 15P NH CONNECTOR
- CN5 : 64P DIN CONNECTOR
- CN6 : 64P DIN CONNECTOR
- CN7 : 64P DIN CONNECTOR
- CN8 : 64P DIN CONNECTOR

KINDS OF CAPACITOR

- T : TANTALUM
- M : MYLAR
- E : ELECTROLYTIC
- C : CERAMIC

MAIN EVENT

| | | | | | | | | | | |
|--------|------|-------|-----------|---------------------------|--------------|---------|----------|---------------------------|-------------------|--|
| | | | | KONAMI INDUSTRY CO., LTD. | | | | REG. TYPE | SCHEMATIC DIAGRAM | |
| DESIGN | DRAW | CHECK | APPROVE | 03 | RELEASE DATE | 88.5.16 | NAME | GX799/GX890 PWB351024A | | |
| SCALE | | | TOLERANCE | | A1 | | CODE NO. | 100098 3/3 | | |