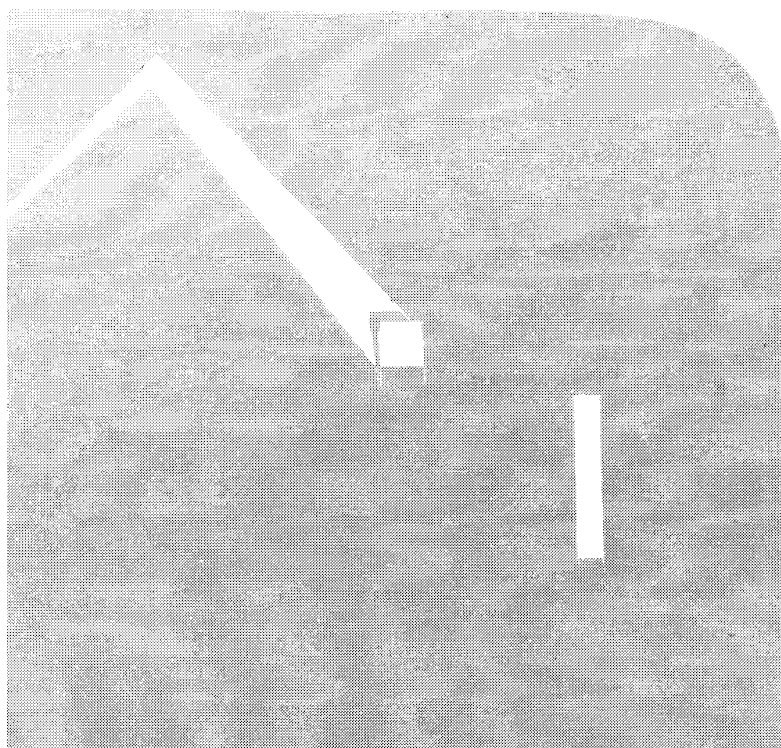
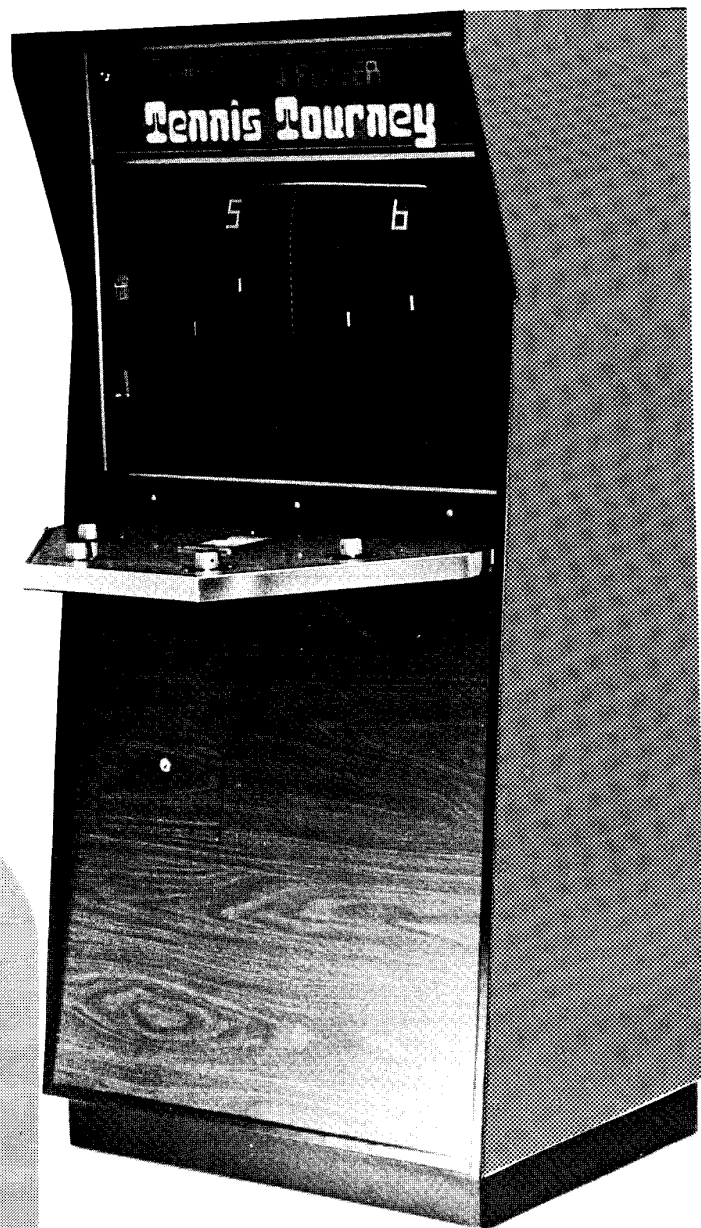
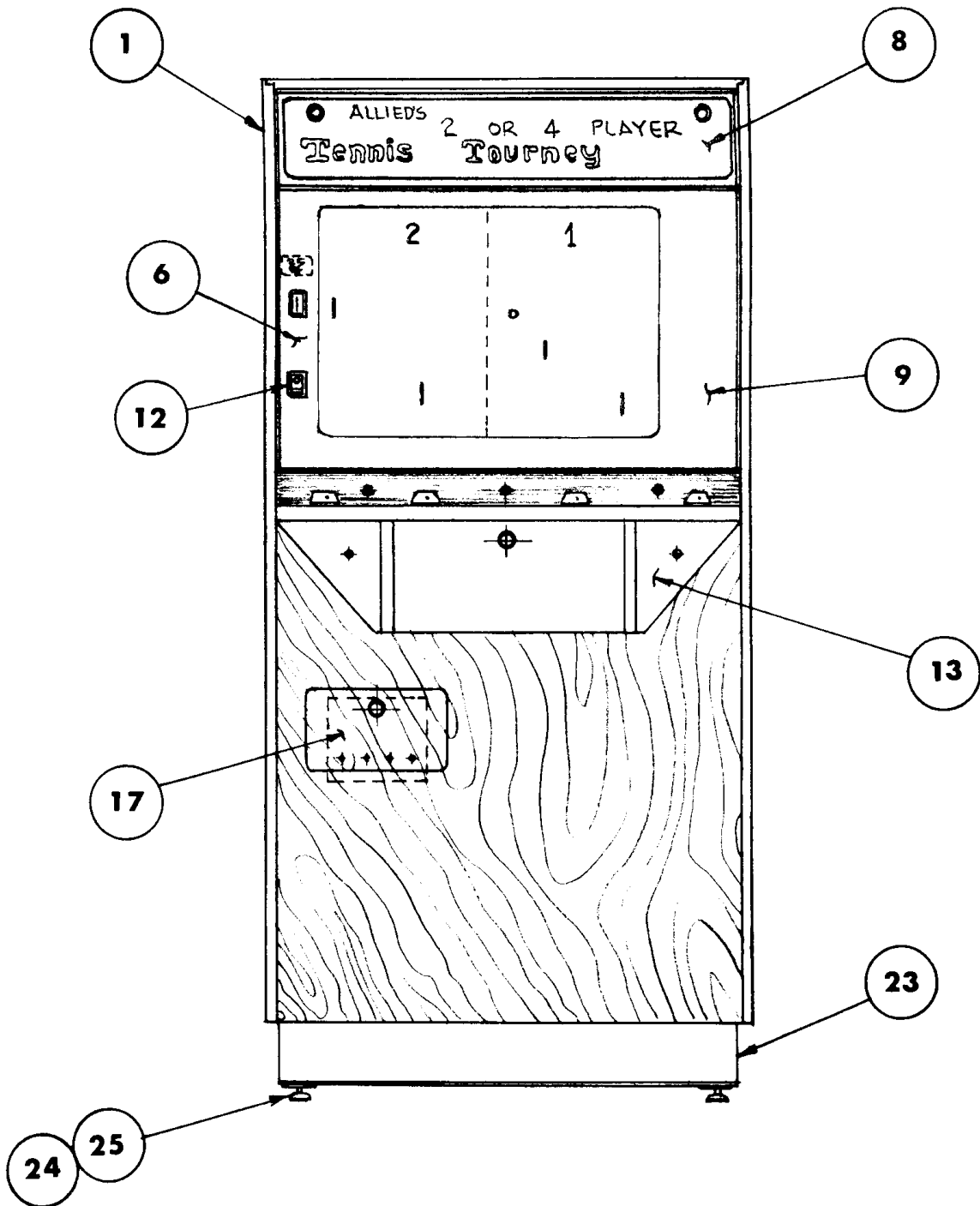


Allied's
TENNIS TOURNEY

**PARTS
CATALOG**



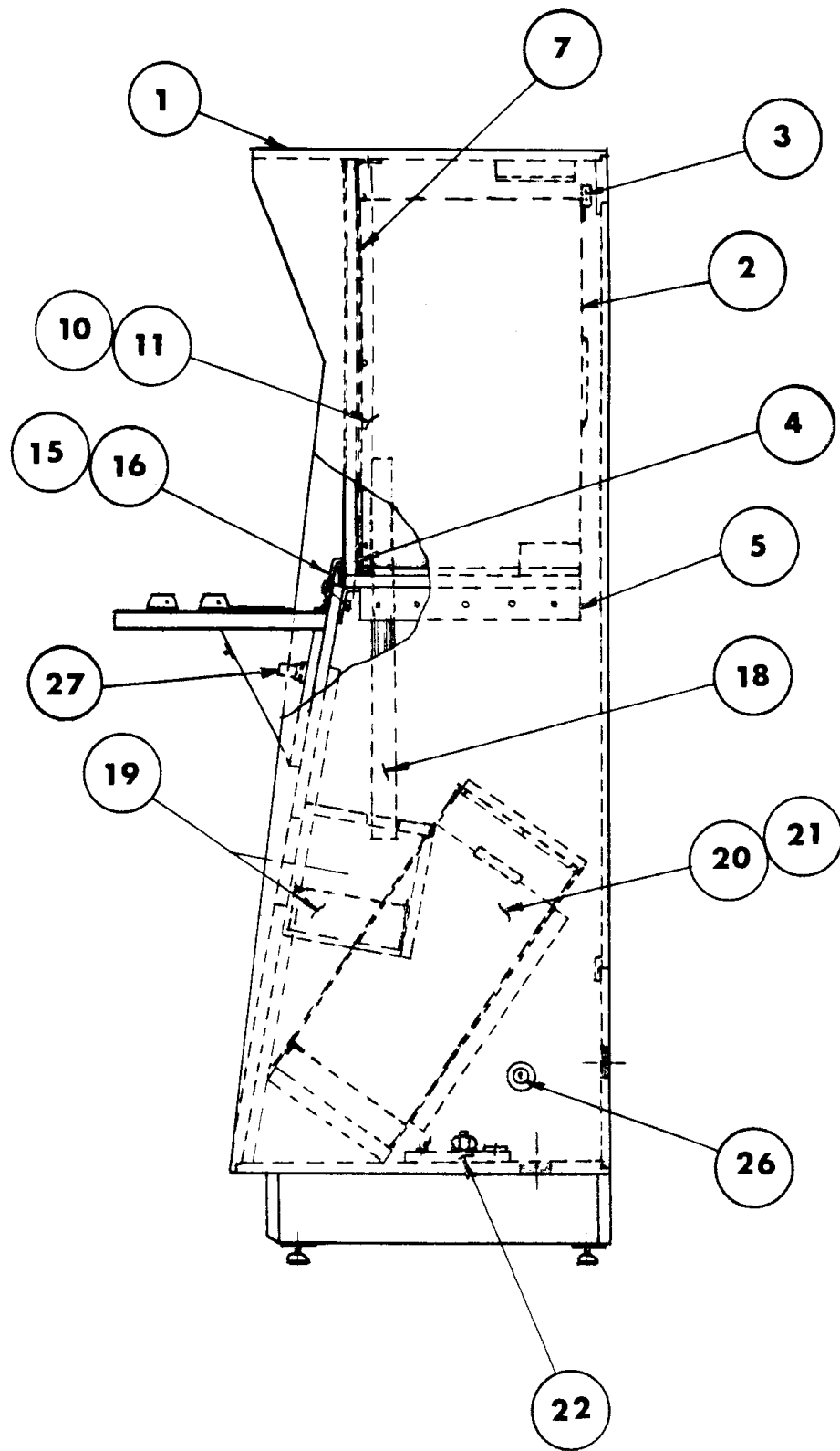
**ALLIED LEISURE INDUSTRIES INC.
245 WEST 74TH PLACE
HIALEAH, FLORIDA 33010**



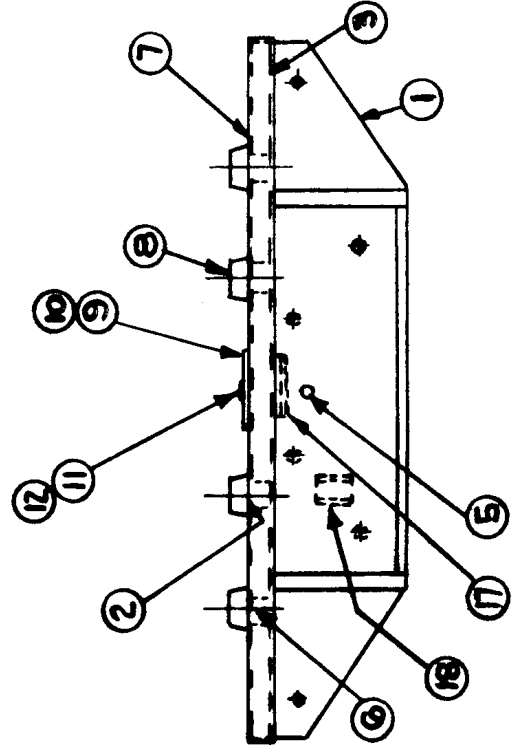
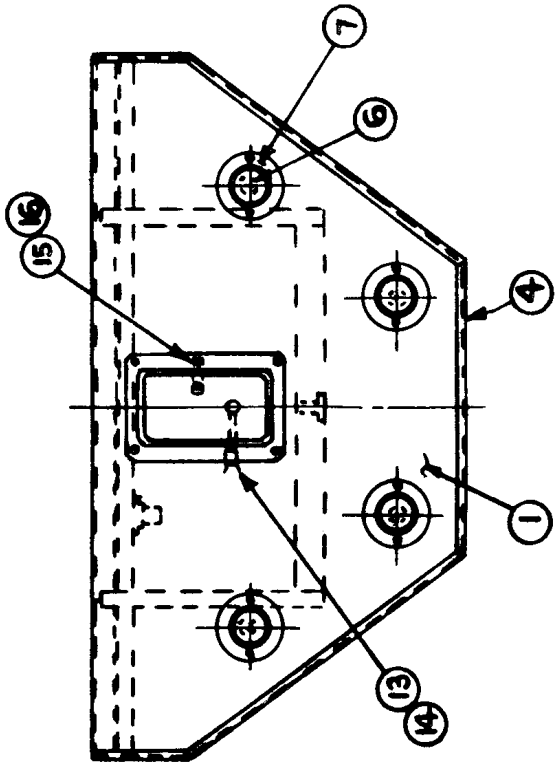
FRONT VIEW - CABINET

TENNIS TOURNEY - 4 PLAYER

| ITEM | PART NO. | DESCRIPTION |
|------|-----------|---|
| 1 | 249-1-1 | Tennis Tourney Cabinet Ass'y |
| 2 | 249-9-1 | 22" Table T.V. Sylvania |
| 3 | 249-3-6 | T.V. Rear Supp. Bracket |
| 4 | 249-3-7 | T.V. Front Bottom Bracket Supp. |
| 5 | 249-1-3 | T.V. Base Support Ass'y |
| 6 | 249-1-19 | Front Top Panel Ass'y |
| 7 | 249-3-4 | Light Panel Brk't |
| 8 | 249-6-2 | Top Screen Glass |
| 9 | 249-6-1 | Smoked Glass |
| 10 | 249-1-10 | Lock Stop Bracket L.H. Ass'y |
| 11 | 249-1-11 | Lock Stop Bracket R.H. Ass'y |
| 12 | 249-1-12 | Coin Chute & Bracket Ass'y |
| 13 | 249-1-9 | See Page #4 Deck Control Ass'y |
| 14 | | |
| 15 | 249-3-2 | Front Bracket Cover |
| 16 | 249-3-3 | Bracket Cover Rear Support |
| 17 | 249-1-6 | Cash Door Ass'y |
| 18 | 249-3-17 | Coin Chute Tube |
| 19 | 240-1-507 | Cash Box Weldment |
| 20 | 249-1-8 | Chassis Ass'y |
| 21 | 249-9-2 | P.C.B. 040 Video Control |
| 22 | 249-1-15 | See Page #5 24V Power Supply Ass'y 4-Players |
| 23 | 249-1-14 | Cabinet Base Ass'y |
| 24 | 240-3-46 | Leg Leveler Tap Plate |
| 25 | 240-8-9 | Leg Leveler |
| 26 | 240-1-35 | On-Off Switch Ass'y |
| 27 | 249-1-20 | SEE PAGE #5 Counter Ass'y |

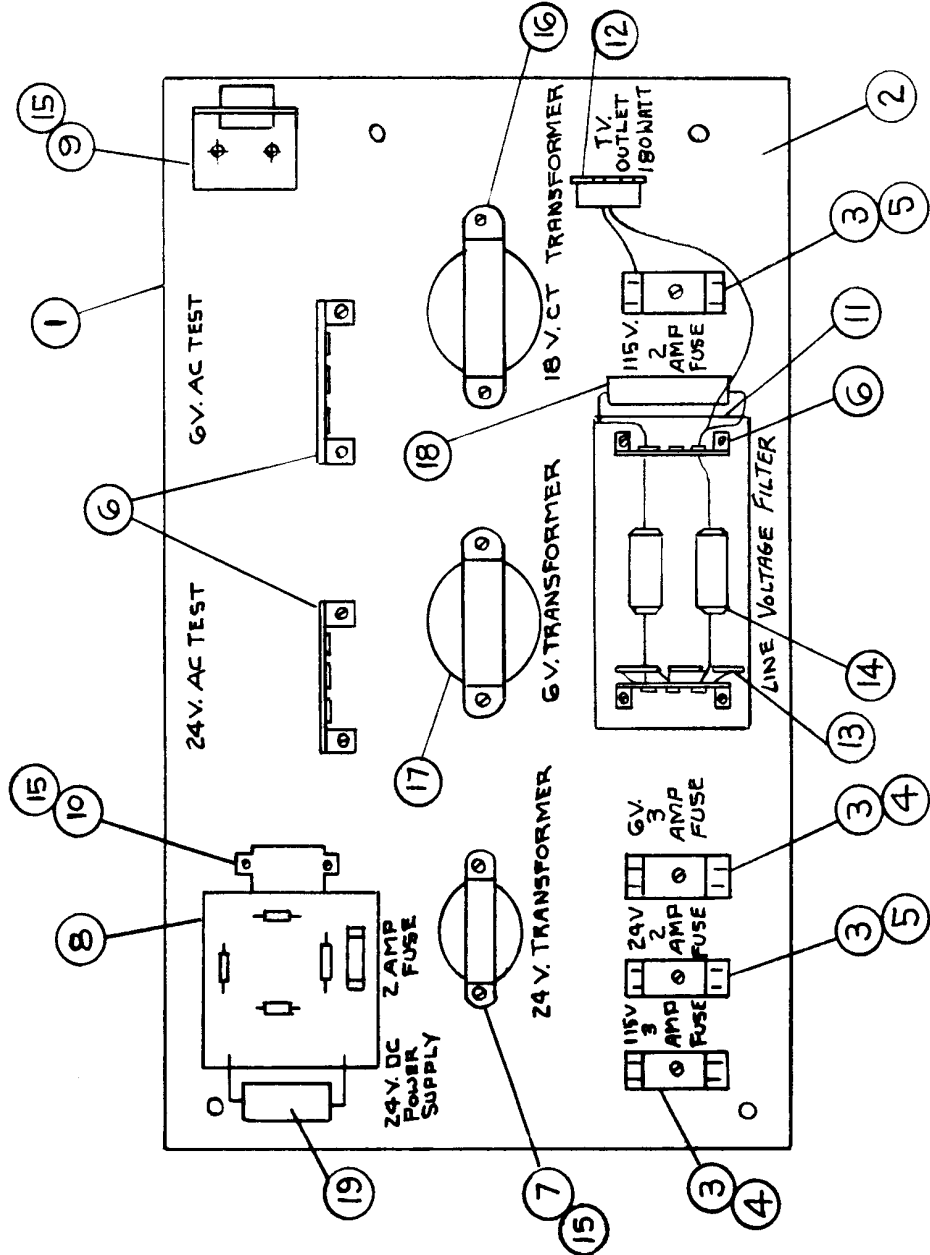


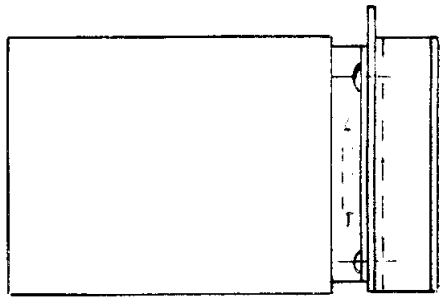
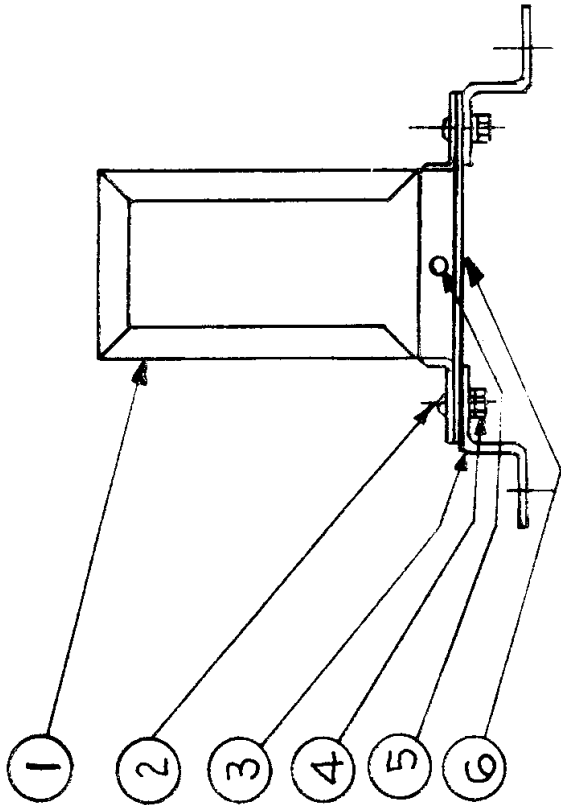
SIDE VIEW - CABINET



| QTY. PER ASSY. | DWG. No. | DESCRIPTION |
|----------------|-----------|---------------------------|
| 1 | 249-1-20 | COUNTER ASSY |
| 1 | 249-3-24 | LOCK PLATE |
| 1 | 240-9-23 | DISPLAY LAMP WH. 44 |
| 1 | 240-9-24 | LAMP SOCKET |
| 1 | 73-58 | SWITCH COVER PLATE |
| 1 | 240-71-1 | SWITCH-CREDIT BUTTON |
| 1 | 240-2-35 | PUSH BUTTON JACKET |
| 1 | 5-7 | PUSH BUTTON |
| 1 | 249-6-3 | INSTRUCTION PANEL |
| 1 | 249-3-13 | FRONT PANEL INST. COVER |
| 4 | 249-2-1 | KNOB |
| 4 | 249-3-5 | KNOB PLATE |
| 4 | 249-1-13 | POT ASSY |
| 1 | 240-8-44 | 1 KEY LOCK |
| 1 | 249-3-1 | CONTROL TABLE-ALUM. TRIM |
| 1 | 249-4-7 | CONTROL TABLE BOTTOM BRD. |
| 4 | 235-8-211 | INSULATOR WASHER |
| 1 | 249-1-2 | CONTROL TABLE ASSY. |
| 1 | | |
| | | |

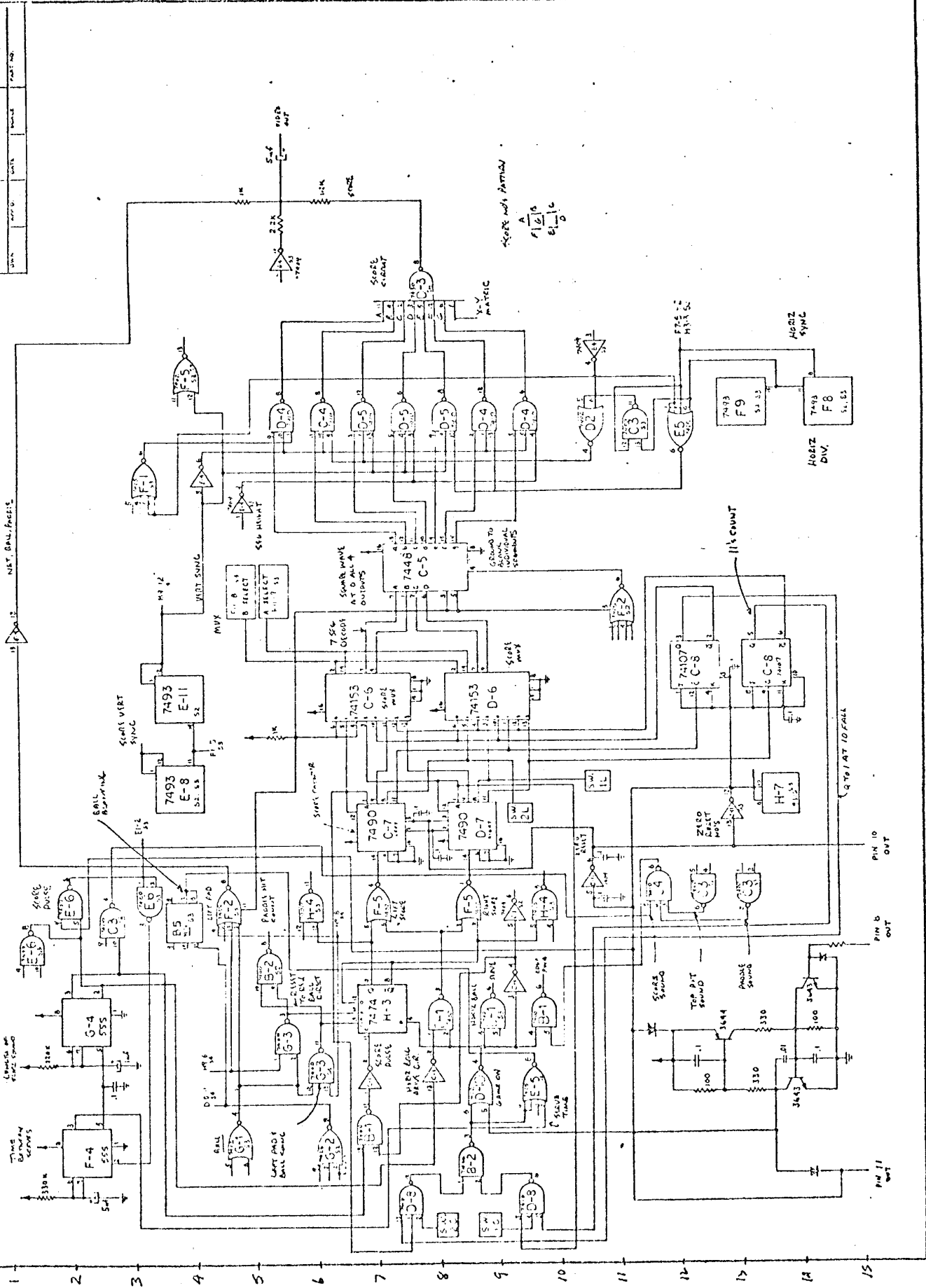
| ITEM | PART No | DESCRIPTION | QNT. |
|------|-----------|-------------------------|------|
| ① | 249-4-37 | POWER SUPPLY BLOCK | 1 |
| ② | 249-6-5 | 24V. POWER SUPPLY CARD | 1 |
| ③ | 240-9-34 | FUSE HOLDER | 4 |
| ④ | 240-9-111 | 3 AMP FUSE | 2 |
| ⑤ | 244-9-11 | 2 AMP FUSE | 2 |
| ⑥ | 240-9-41 | TERMINAL STRIP 3LUG | 4 |
| ⑦ | 244-9-18 | 24V 1AMP TRANSFORMER | 1 |
| ⑧ | 249-1-16 | 24V PC. BOARD ASSY. | 1 |
| ⑨ | 240-3-169 | 12 PIN MINL BRACKET | 1 |
| ⑩ | 240-3-50 | EDGE CONNECTOR 6-PIN | 1 |
| ⑪ | 244-3-7 | INSULATOR STRIP | 1 |
| ⑫ | 244-9-9 | CHRSSIS PLUG | 1 |
| ⑬ | 244-9-6 | 01 Mf CERAMIC CAPACITOR | 3 |
| ⑭ | 244-9-3 | 100 MH COIL | 2 |
| ⑮ | | #6 x 3/8 PPH5M5 | 22 |
| ⑯ | 249-9-4 | TRANSFORMER 18V. | 1 |
| ⑰ | 233-9-6 | 6V. TRANSFORMER | 1 |
| ⑱ | 244-9-4 | .47 MFD 400V CAPACITOR | 1 |
| ⑲ | 249-9-10 | 1000 MFD 90V CAPACITOR | 1 |





| ITEM | QTY. | PART NO. | DESCRIPTION |
|------|------|----------|---------------------|
| ⑥ | 1 | 249-9-5 | REED P.C.B. |
| ⑤ | 1 | 249-9-7 | MAGNETIC REED SW |
| ④ | 4 | | #4-40 KEPS NUT |
| ③ | 2 | 249-3-3A | BRACKET |
| ② | 4 | | #4-40x1/4 |
| ① | 1 | 235-9-32 | COUNTER 24V 50/60HZ |

ALLIED LEISURE INDUSTRIES INC.
 1740 N. 4TH AVENUE
 WALKER, PA 15381
 PENNISTOWNEY - LOGIC BOARD DIMENSION 147
 PART NO. 147-100
 DATE: 10/10/80
 DRAWN BY: J. W. H. / J. W. H.



1
2
3
4
5
6
7
8
9
10
11
12
13
14
15

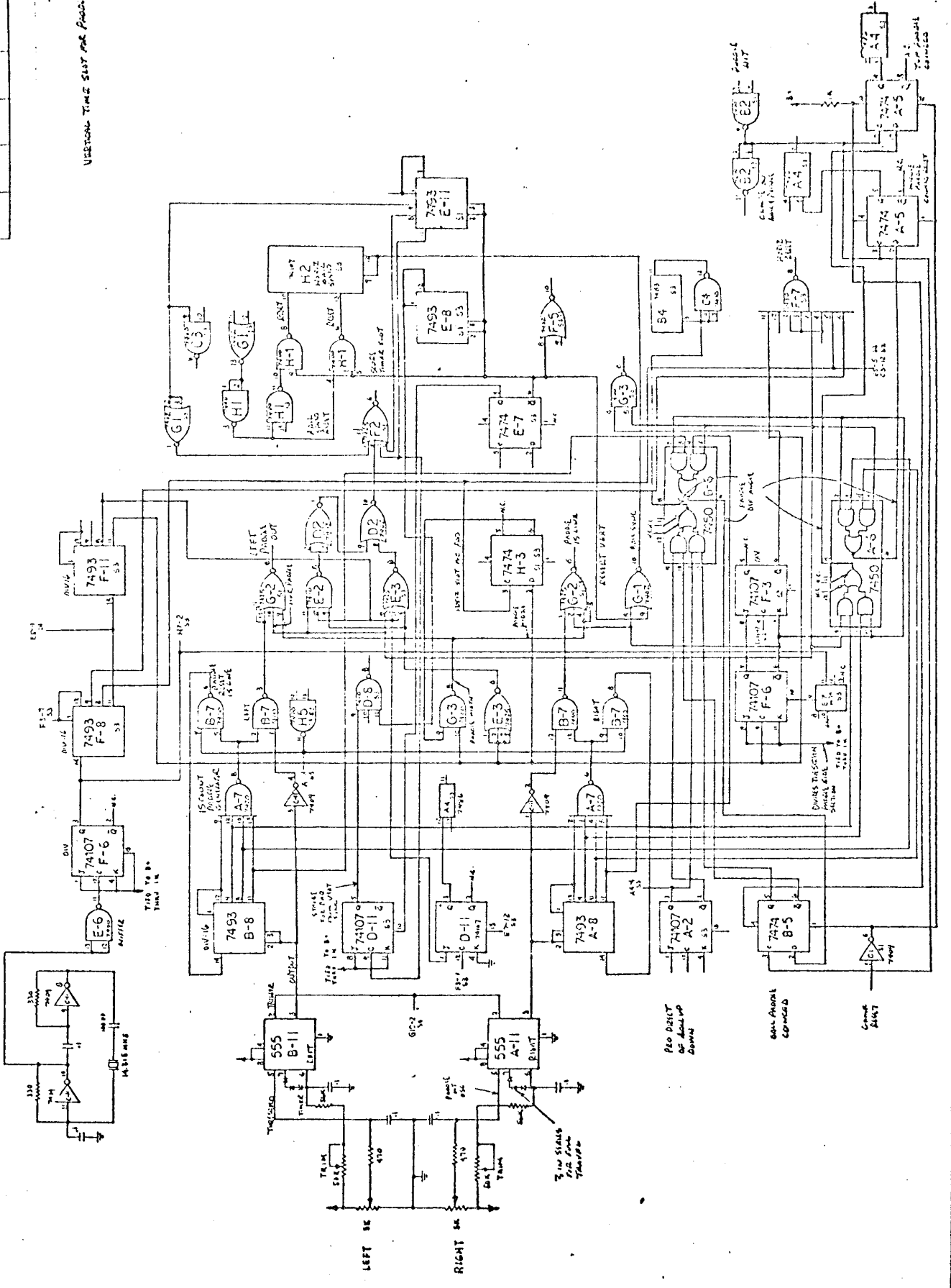
PIN 10 OUT
 PIN 9 OUT
 PIN 11 OUT

SCALE AND PARTIAL
 $\frac{1}{10}$
 $\frac{1}{10}$
 $\frac{1}{10}$

11'S COUNT

9 70 / AT 10 FALL

VISION TIME SLIT FOR PRODUCTS

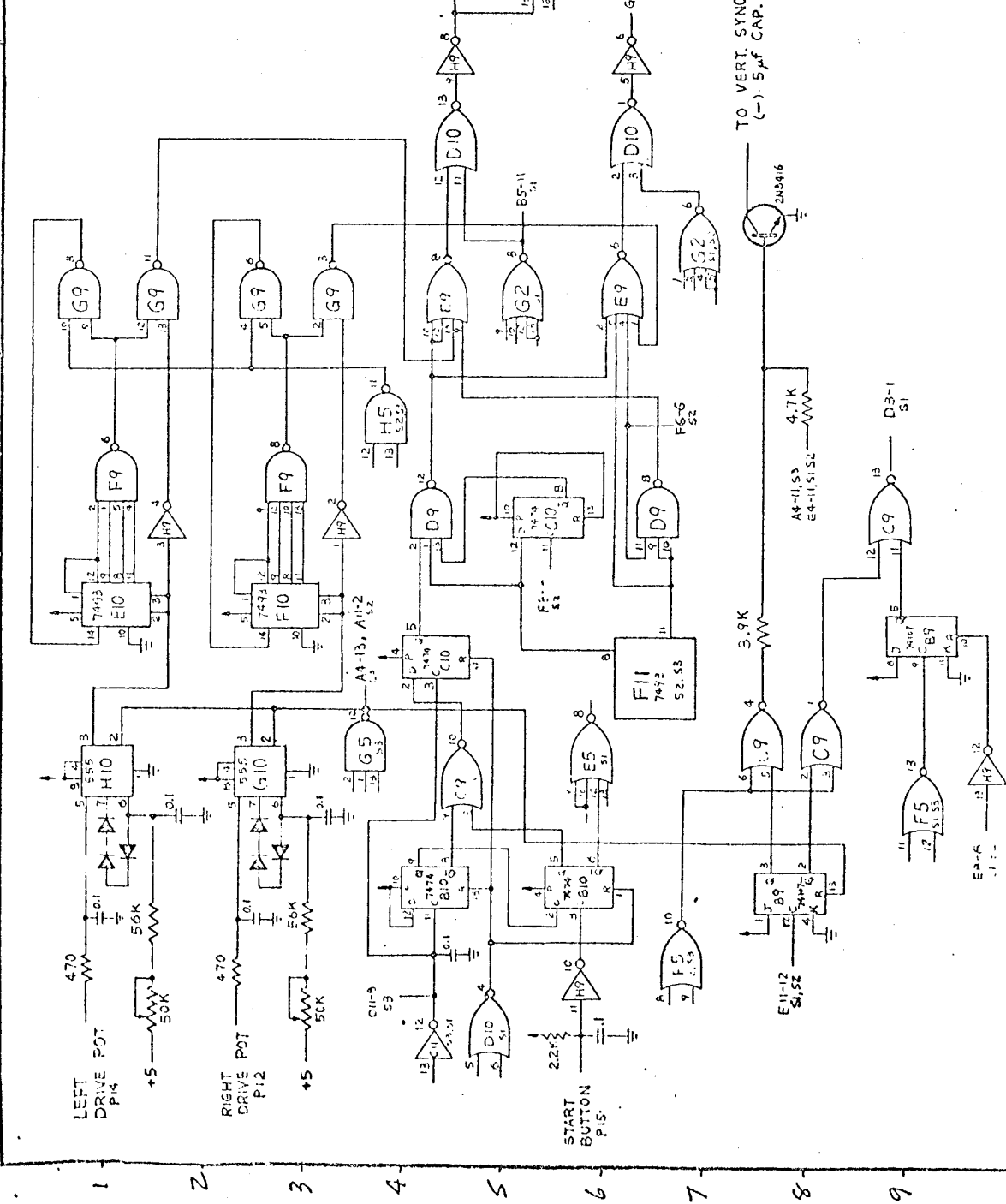


A B C D E F G H I J K L M N O P Q R S T

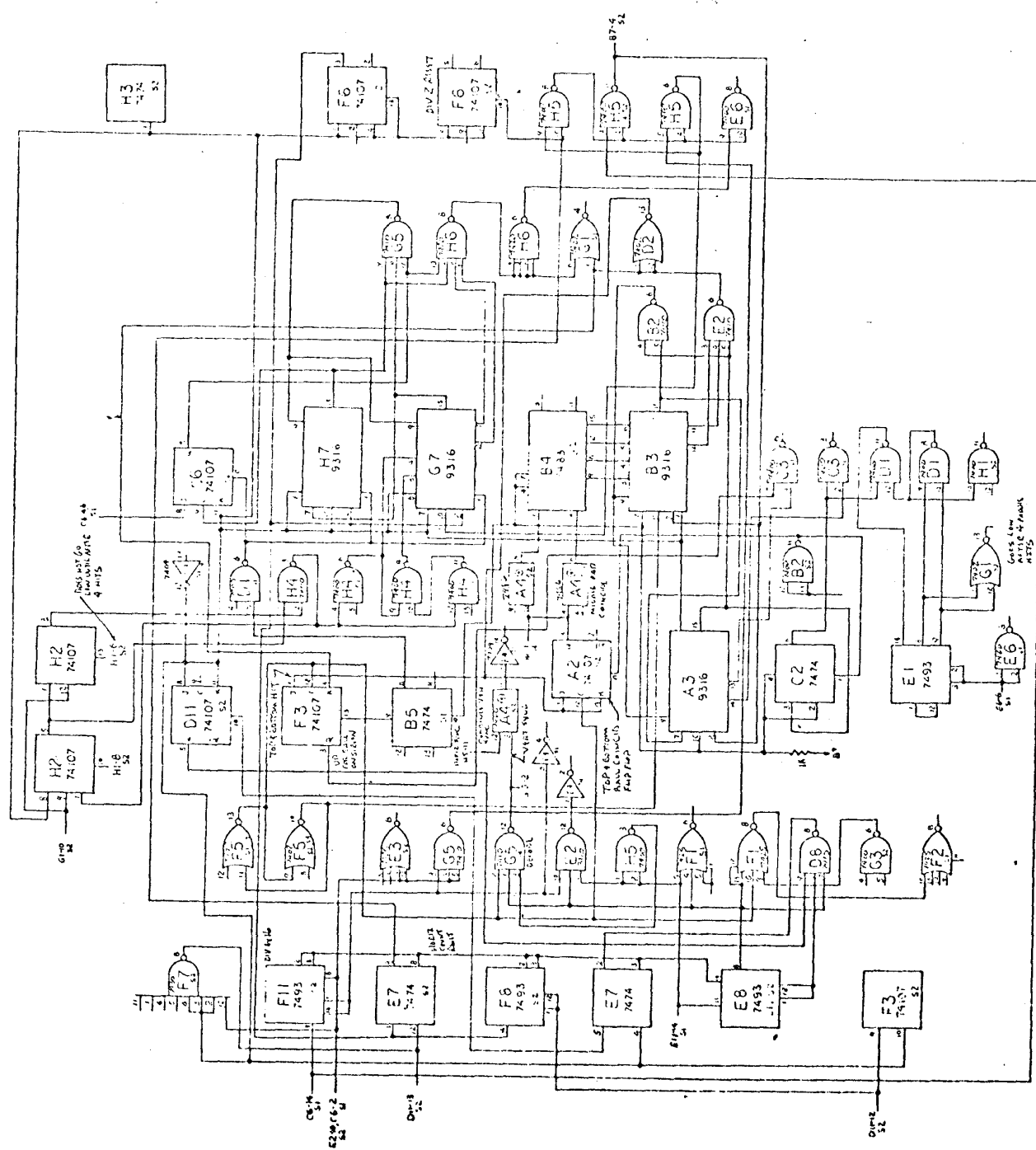
1 2 3 4 5 6 7 8 9 10 11 12 13 14 15

A B C D E F G H I J K L M N O

| | | | |
|--|-----------|--------|----------|
| ALLIED LEISURE INDUSTRIES INC. | | | |
| MILWAUKEE, FLORIDA | | | |
| MODEL 3 | | | |
| TENNIS JOURNEY-LOGIC BOARD DISCREET 5214 | | FINISH | |
| DATE | REPT. NO. | SCALE | PART NO. |
| | | | |



1 2 3 4 5 6 7 8 9 10 11 12 13 14 15
 A
 B
 C
 D
 E
 F
 G
 H
 I
 J
 K
 L
 M
 N
 O
 P



1
 2
 3
 4
 5
 6
 7
 8
 9
 10
 11
 12
 13
 14
 15

Side 1

Audio White Noise SCHEMATIC DIAGRAM

* IC100 VOLTAGE CHART

| PIN NO. | 1 | 2 | 3 | 4 | 5 | 6 | 7 | 8 | 9 | 10 | 11 | 12 | 13 | 14 |
|------------------|---------------|---------------|---------|---------|---------------|---------------|-----------|---------------|---------------|-----------------|-------------|-----------------|-------------|---------------|
| IC CHIP INSERTED | +1.9V (+1.9V) | +1.9V (+1.9V) | 0V (0V) | 0V (0V) | +2.6V (+2.6V) | +2.6V (+2.6V) | +6V (+6V) | +5.5V (+5.5V) | +3.8V (+3.8V) | +11.4V (+11.4V) | N.C. (N.C.) | +11.6V (+11.6V) | N.C. (N.C.) | +5.8V (+5.8V) |
| IC CHIP REMOVED | 0V (0V) | 0V (0V) | 0V (0V) | 0V (0V) | +2.6V (+2.6V) | 0V (0V) | 0V (0V) | 0V (0V) | 0V (0V) | 0V (0V) | N.C. (N.C.) | +0.5V (+0.5V) | N.C. (N.C.) | 0V (0V) |

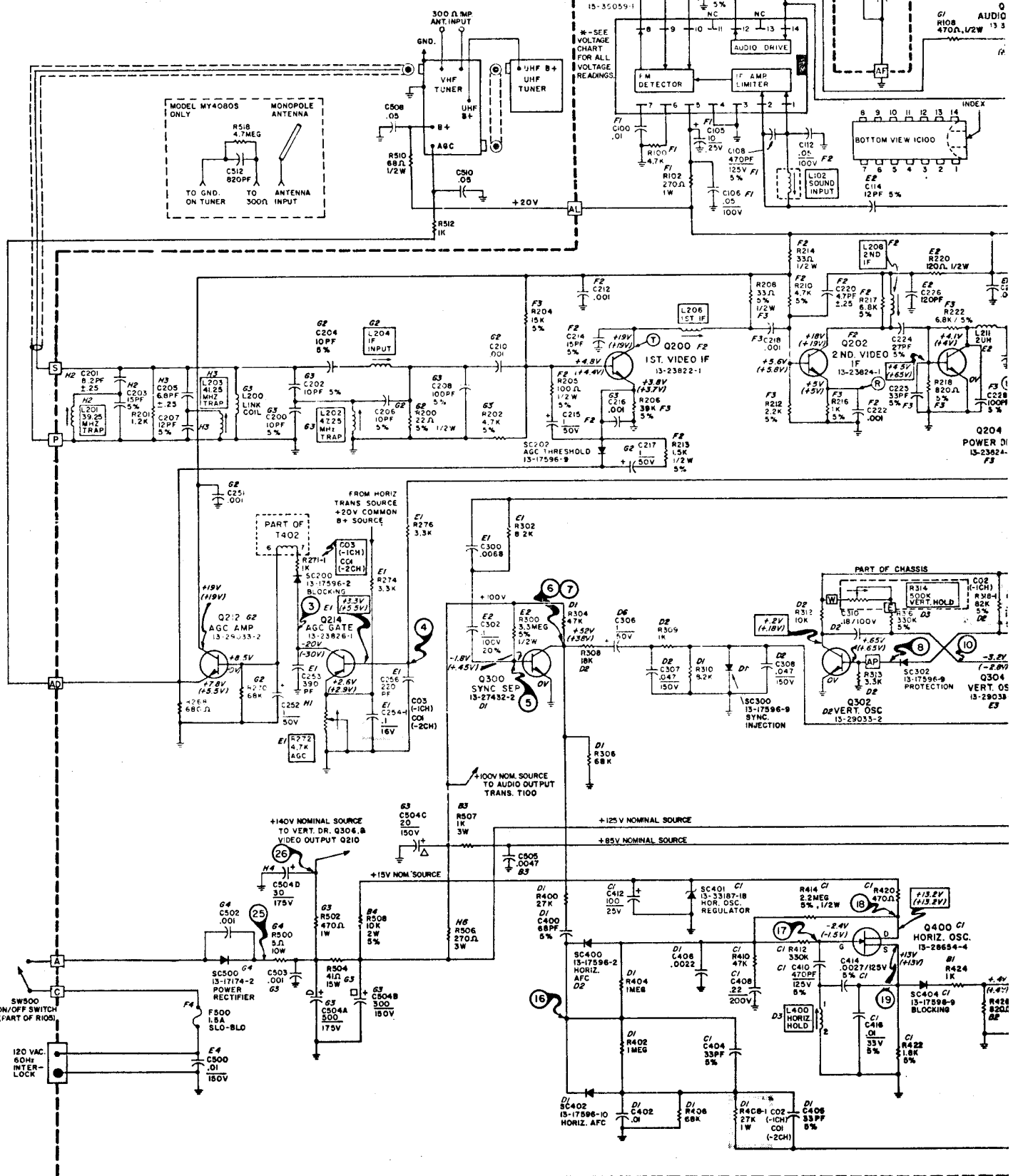
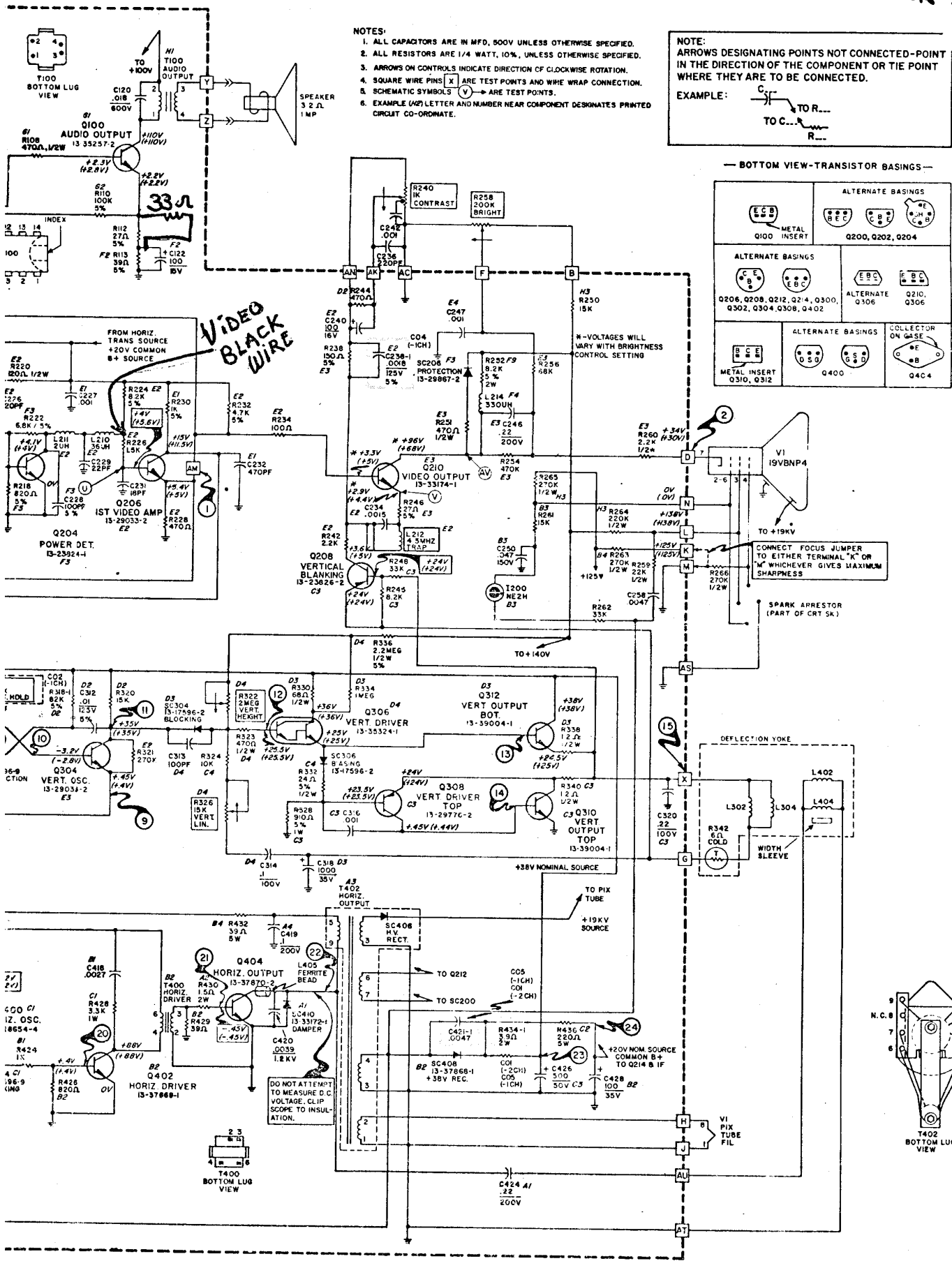


DIAGRAM (A19-1,2 CH.)

Side 2

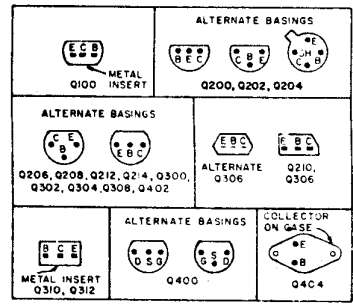


- NOTES:
1. ALL CAPACITORS ARE IN MFD, 500V UNLESS OTHERWISE SPECIFIED.
 2. ALL RESISTORS ARE 1/4 WATT, 10%, UNLESS OTHERWISE SPECIFIED.
 3. ARROWS ON CONTROLS INDICATE DIRECTION OF CLOCKWISE ROTATION.
 4. SQUARE WIRE PINS 'X' ARE TEST POINTS AND WIRE WRAP CONNECTION.
 5. SCHEMATIC SYMBOLS 'V' ARE TEST POINTS.
 6. EXAMPLE (A/P) LETTER AND NUMBER NEAR COMPONENT DESIGNATES PRINTED CIRCUIT CO-ORDINATE.

NOTE: ARROWS DESIGNATING POINTS NOT CONNECTED-POINT IN THE DIRECTION OF THE COMPONENT OR TIE POINT WHERE THEY ARE TO BE CONNECTED.

EXAMPLE:

— BOTTOM VIEW—TRANSISTOR BASINGS—



VIDEO BLACK WIRE

*-VOLTAGES WILL VARY WITH BRIGHTNESS CONTROL SETTING

CONNECT FOCUS JUMPER TO EITHER TERMINAL "K" OR "M" WHICHEVER GIVES MAXIMUM SHARPNESS

SPARK ARRESTOR (PART OF CRT SK)

DEFLECTION YOKE

