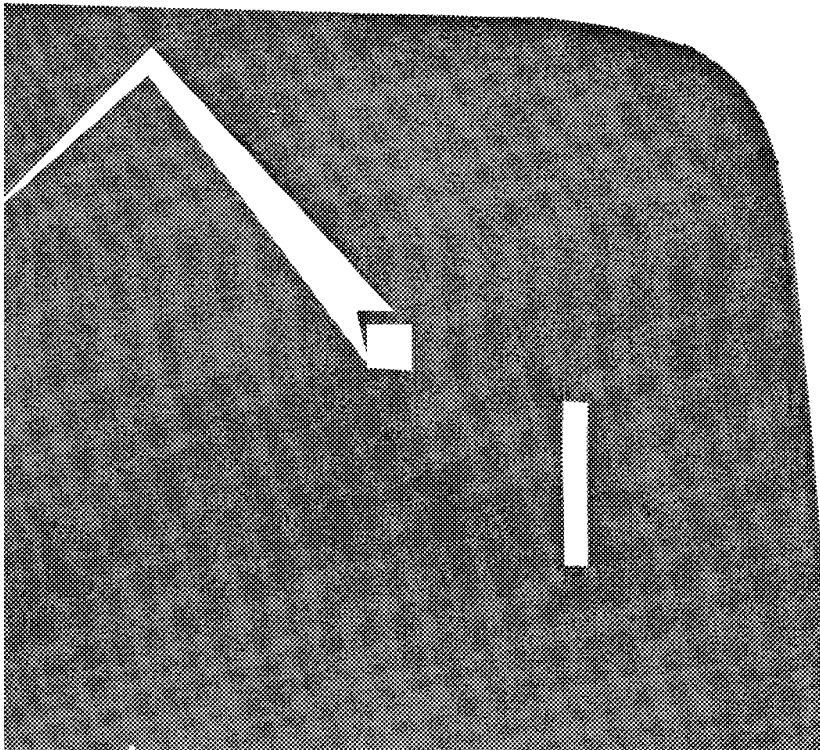
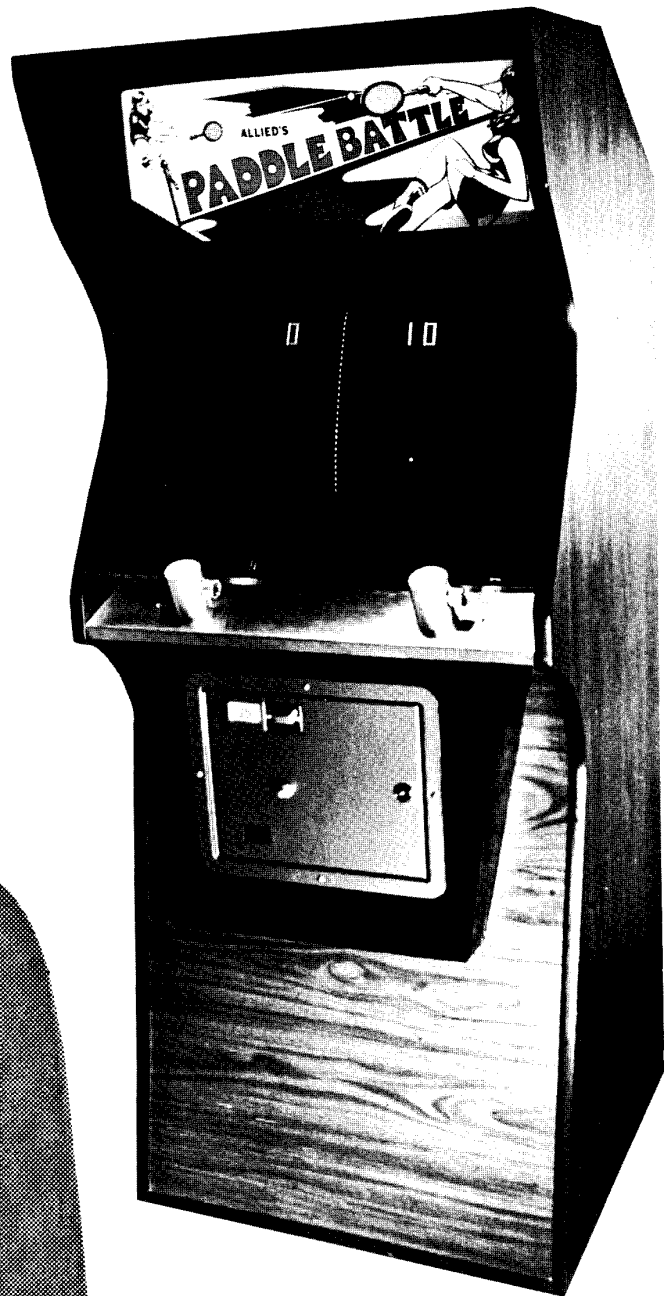
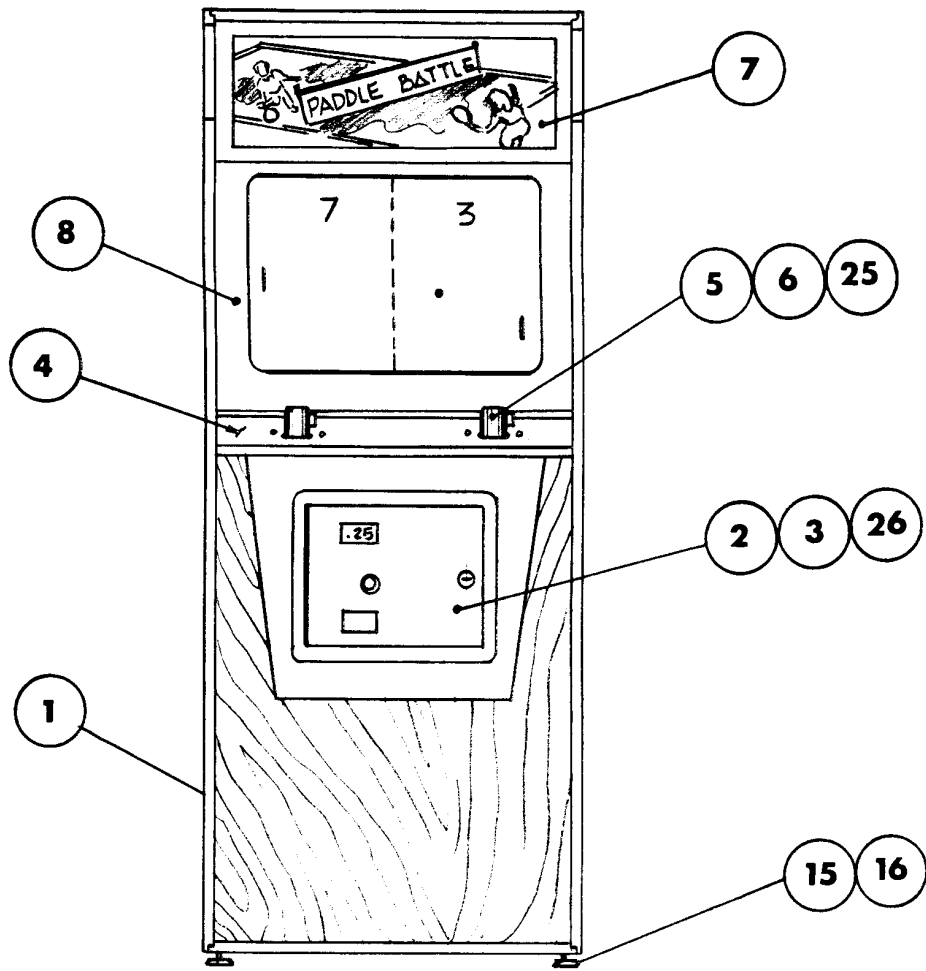


Allied's
PADDLE BATTLE

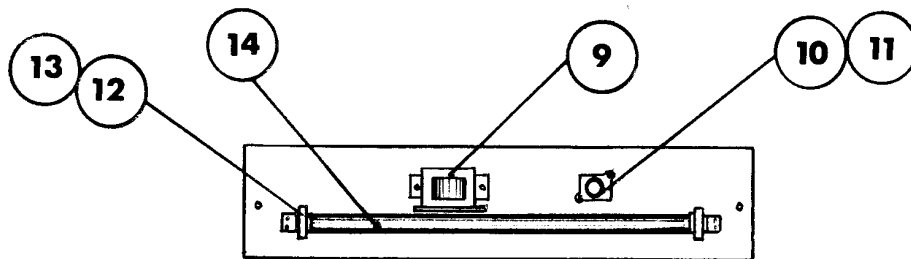
***Parts &
Wiring
Catalog***



ALLIED LEISURE INDUSTRIES INC.
245 WEST 74TH PLACE
HIALEAH, FLORIDA 33010



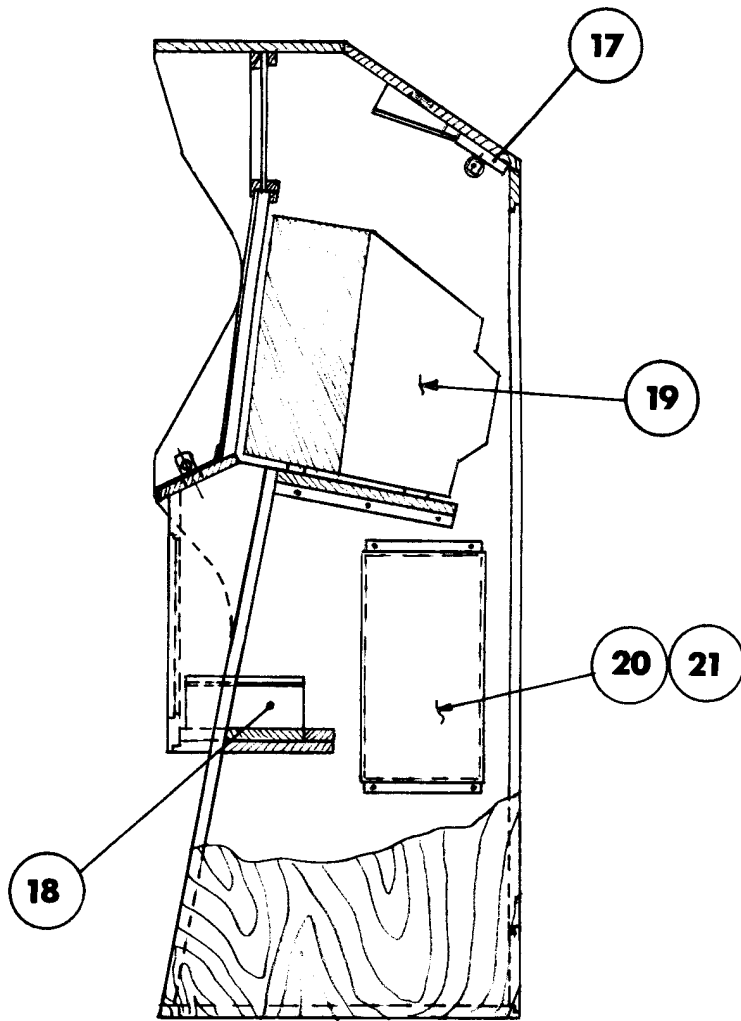
FRONT VIEW - CABINET



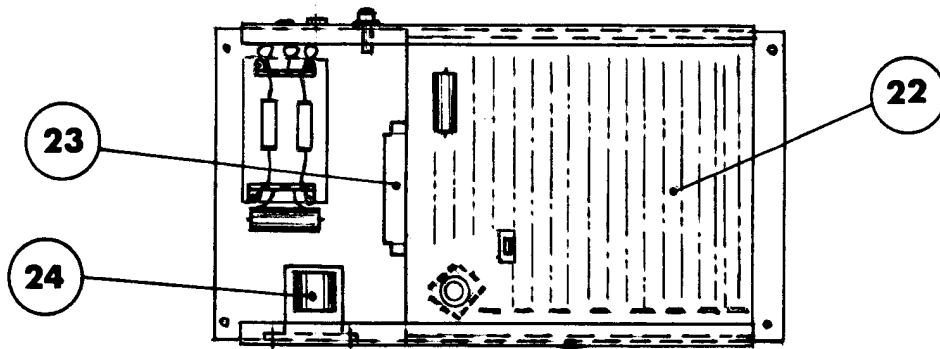
TOP LAMP ASS'Y

PADDLE BATTLE

| <u>ITEM</u> | <u>PART NO.</u> | <u>DESCRIPTION</u> |
|-------------|--------------------|---|
| 1 | 244-1-1 244-1-6 | Paddle Battle Cabinet for Hitachi TV Paddle Battle Cabinet for Sylv & GE |
| 2 | 240-1-500 | Coin Door Assy Single Acceptor |
| 3 | 240-1-504 | Coin Door Frame Assembly |
| 4 | 244-3-4 | Deck Control Cover |
| 5 | 244-3-5 | "Pot" Holder |
| 6 | 244-9-8 | 5M ohm linear potentiometer |
| 7 | 244-6-1 | Top Glass - Paddle Battle |
| 8 | 244-6-2 | Smoked Grey glass (screen) |
| 9 | 240-9-81 | Transformer (ballast coil) |
| 10 | 240-9-82 | Starter Socket |
| 11 | 240-9-83 | Fluorescent Lamp starter |
| 12 | 240-9-84 | Fluorescent Lamp socket |
| 13 | 240-3-45 | Sky Lamp Bracket |
| 14 | 242-9-53 | Fluorescent Lamp |
| 15 | 240-3-46 | Leg Leveler Tap Plate |
| 16 | 240-8-9 | Leg Leveler |
| 17 | 244-1-2 | Top Lamp Ass'y |
| 18 | 240-1-507 | Cash Box Weldm't |
| 19 | 244-9-1 | Portable TV |
| 20 | 244-1-5 | Chassis Ass'y |
| 21 | 244-3-11 | Cover P.C.B. Chassis |
| 22 | 244-9-2 | P.C.B. #039 Video Control |
| 23 | 244-9-12 | 22 Pin PCB Edge Connector |
| 24 | 244-9-13 | Transformer |
| 25 | 244-2-1 | Button control (knob) |
| 26 | 244-71-2 | Slam Switch |

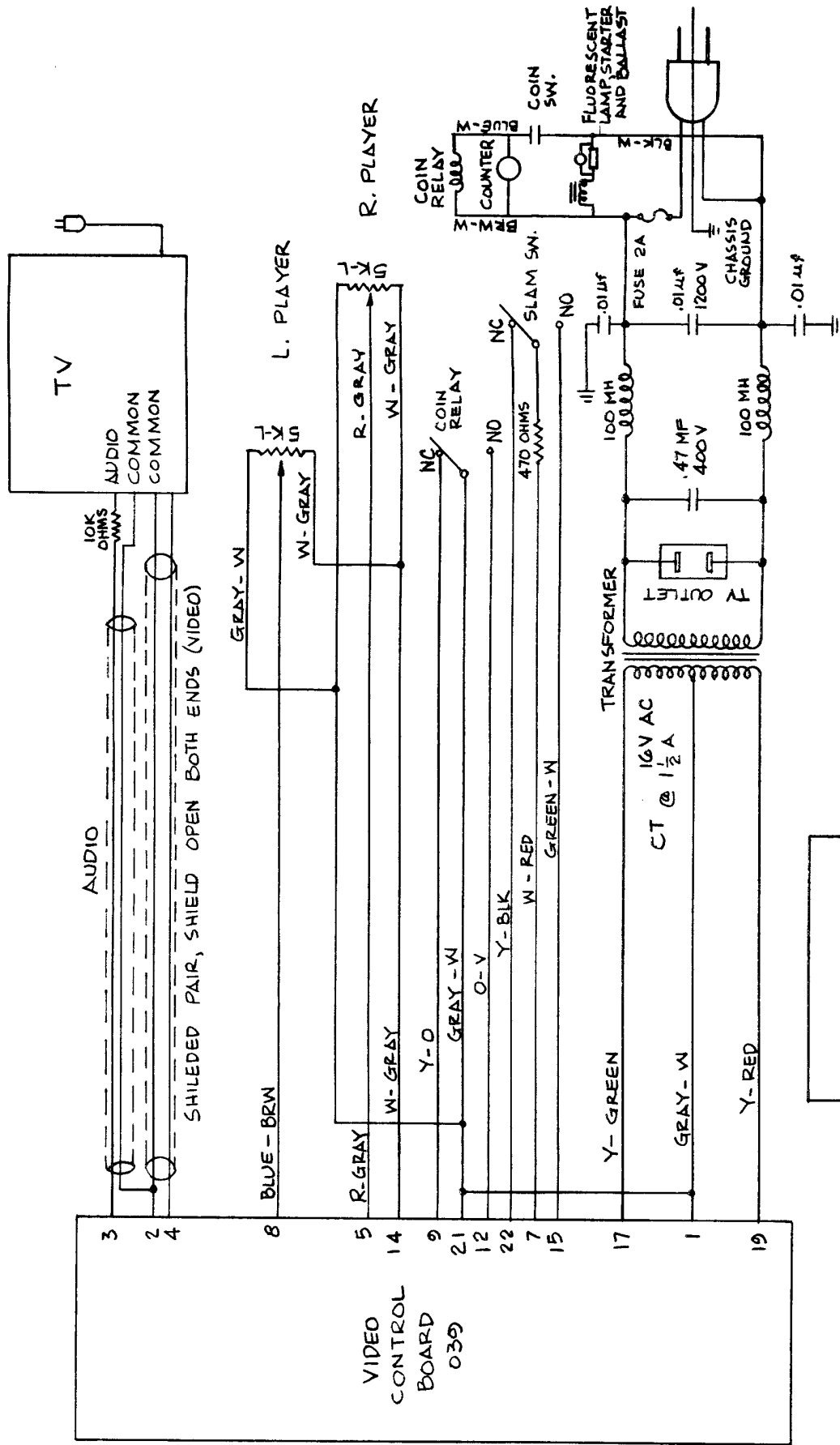


SIDE VIEW - CABINET

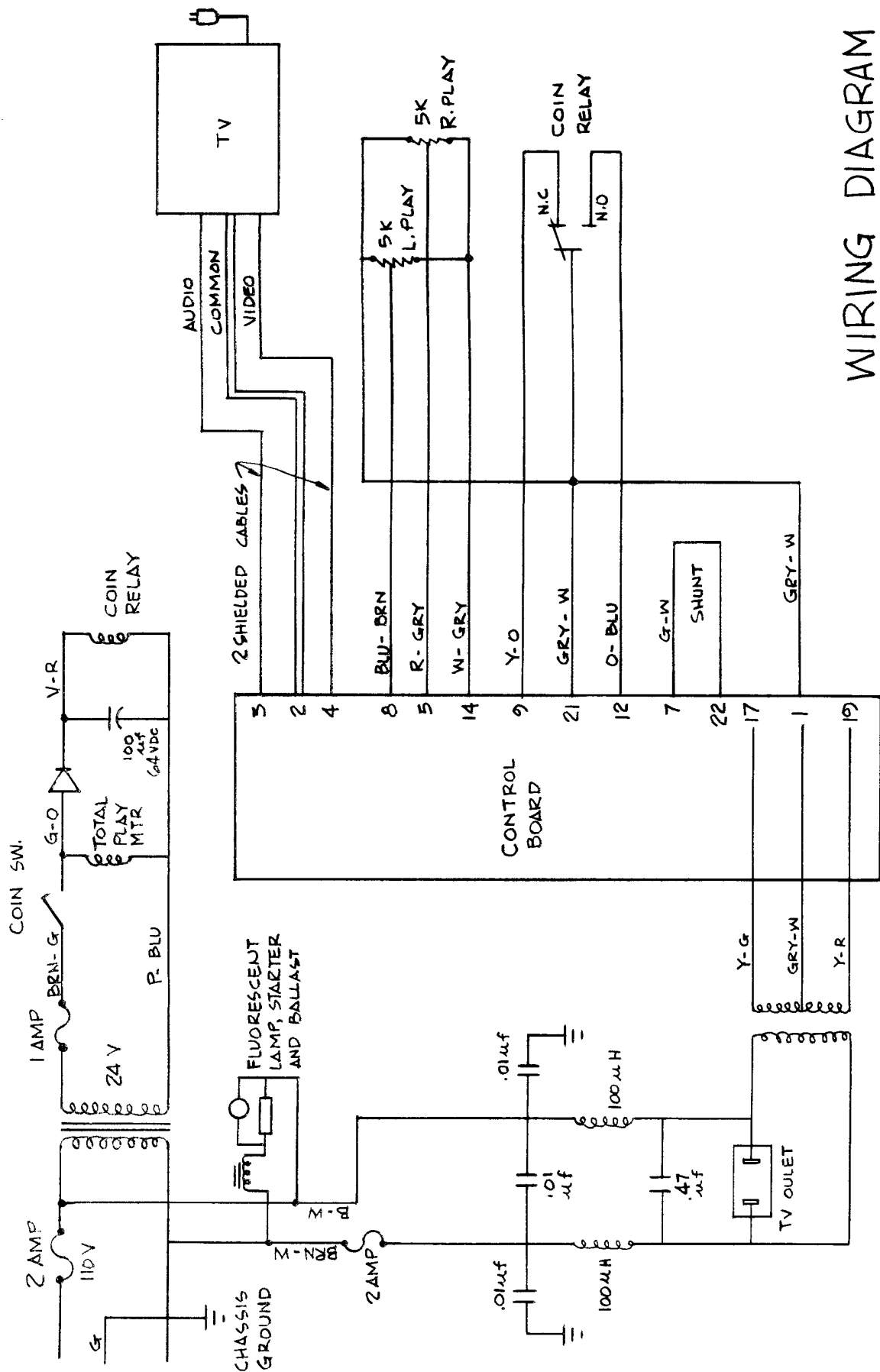


P.C.B. CHASSIS ASS'Y

WIRING DIAGRAM



NOTE:
 1- NOTCH AT PIN 6 AND 13
 2- 10K Ω RESISTOR ADDED TO AUDIO CIRCUIT INSIDE TV CABINET.



WIRING DIAGRAM

S/N'S 907 UP

TROUBLESHOOTING GUIDE

| <u>Symptom</u> | <u>Problem</u> |
|---|--|
| 1. No video or sound | Coin switch stuck down PC board edge connector loose Television input or power line disconnected Television or control PC board bad |
| 2. Sound but no video | Open video line (untaped shielded cable) Television out of adjustment (see set up procedure) Television or control board bad |
| 3. Video but no sound | Same as No. 2 except audio shielded line open (taped shielded cable) (See set up procedure for access to television controls) |
| 4. Picture distorted or out of center | See set up procedure |
| 5. Right or left paddle moves irratically | Potentiometer dirty or worn out |
| 6. Game shuts off before 11 or 15 setting | Slam switch not enough tension on normally closed contacts. Capacitor lead on chassis filter assembly open. Lead on slam switch wires open. |

Note: Remove front panel for access to Television controls

Maintenance and Adjustment procedure:

1. Television connections and controls

1. Plug power cord into control chassis and connect the shielded input wires.
2. Activate coin switch and adjust game per the following:
(Note: Remove front panel for access to television controls)
 - A. Volume - adjust to desired level, approximately 3/4 full for normal location.
 - B. Brightness - turn from bright until background light disappears.
 - C. Contrast - adjust to maximum without distorting numbers on screen.

The following are preset at Allied Leisure

- D. Vertical size adjust until net clears top and bottom by 1/4 to 1/2 inch.
- E. Vertical linearity adjust for equal spacing of dot segments.
- F. Horizontal position - adjust to center and back off until picture holds when television is cycled off and on.

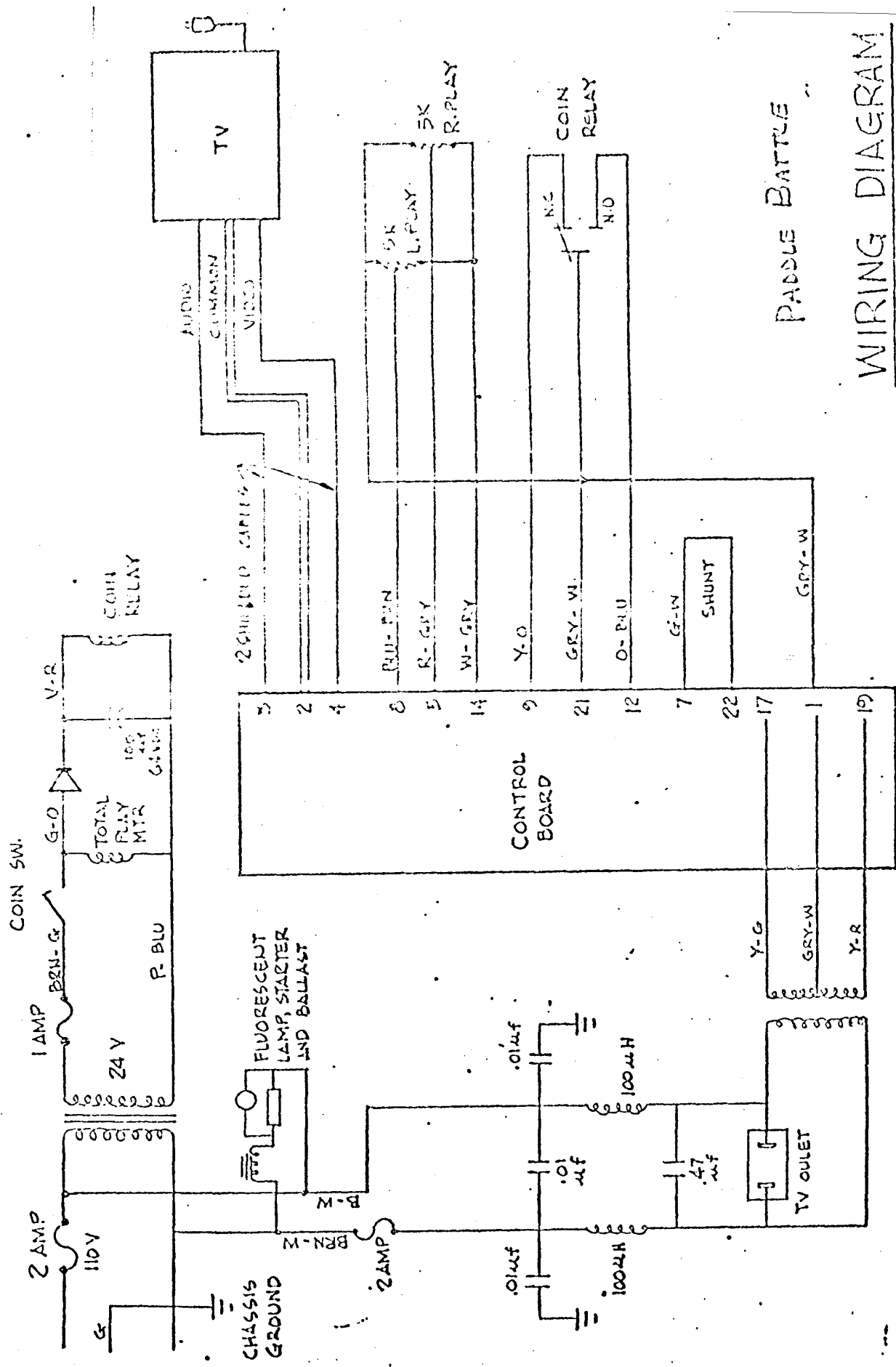
11. Control Chassis

1. Paddle adjustment-turn front panel knobs to full down position. Adjust trimmers (located on top of control PC board) to move paddles to bottom of screen. Back off until full paddle length is in view.
2. 11-15 adjustment - set switch on control PC board as desired.
3. Replacing video board - insert board, connector end first with component side showing. Connect the two 3-pin plugs matching wire colors. 22-pin PC board edge connector is keyed with pin 1 on the right side as viewed in game cabinet.

111. Front Panel

1. Potentiometer front glass replacement - open cash door and remove the two wing nuts holding front panel in place.
 2. Remove and replace potentiometers as required.
 3. Touch tape to bottom of front glass and pull out for removal.

NOTE: TO AVOID DAMAGE TO TELEVISION, DISCONNECT 3-WIRE CONNECTOR (LOCATED ON BOTTOM OF TELEVISION) BEFORE REMOVING TELEVISION FOR SERVICING.

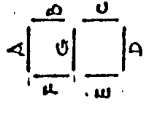
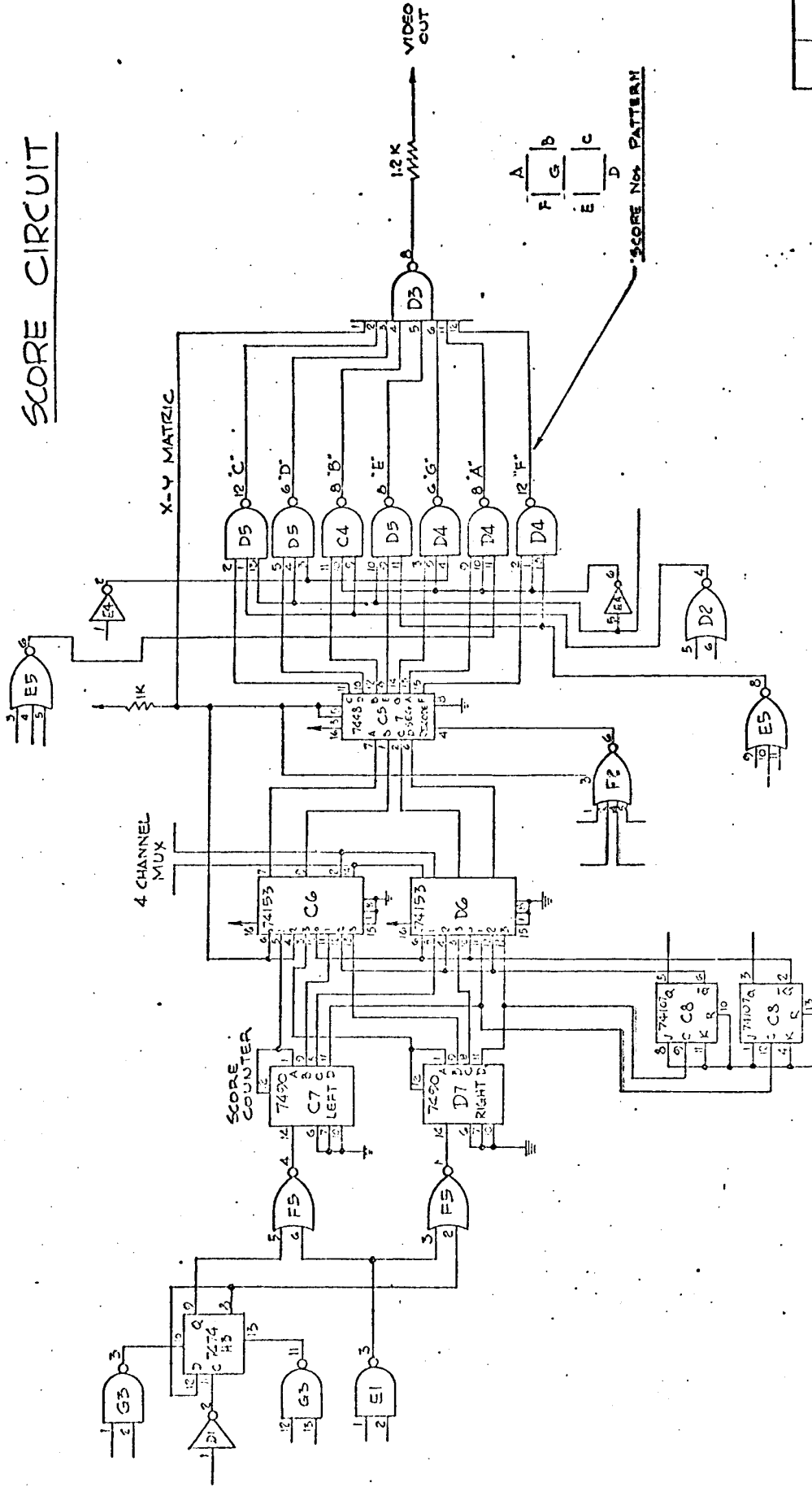


PADDLE BATTLE

WIRING DIAGRAM

S/N'S 907 UP

SCORE CIRCUIT

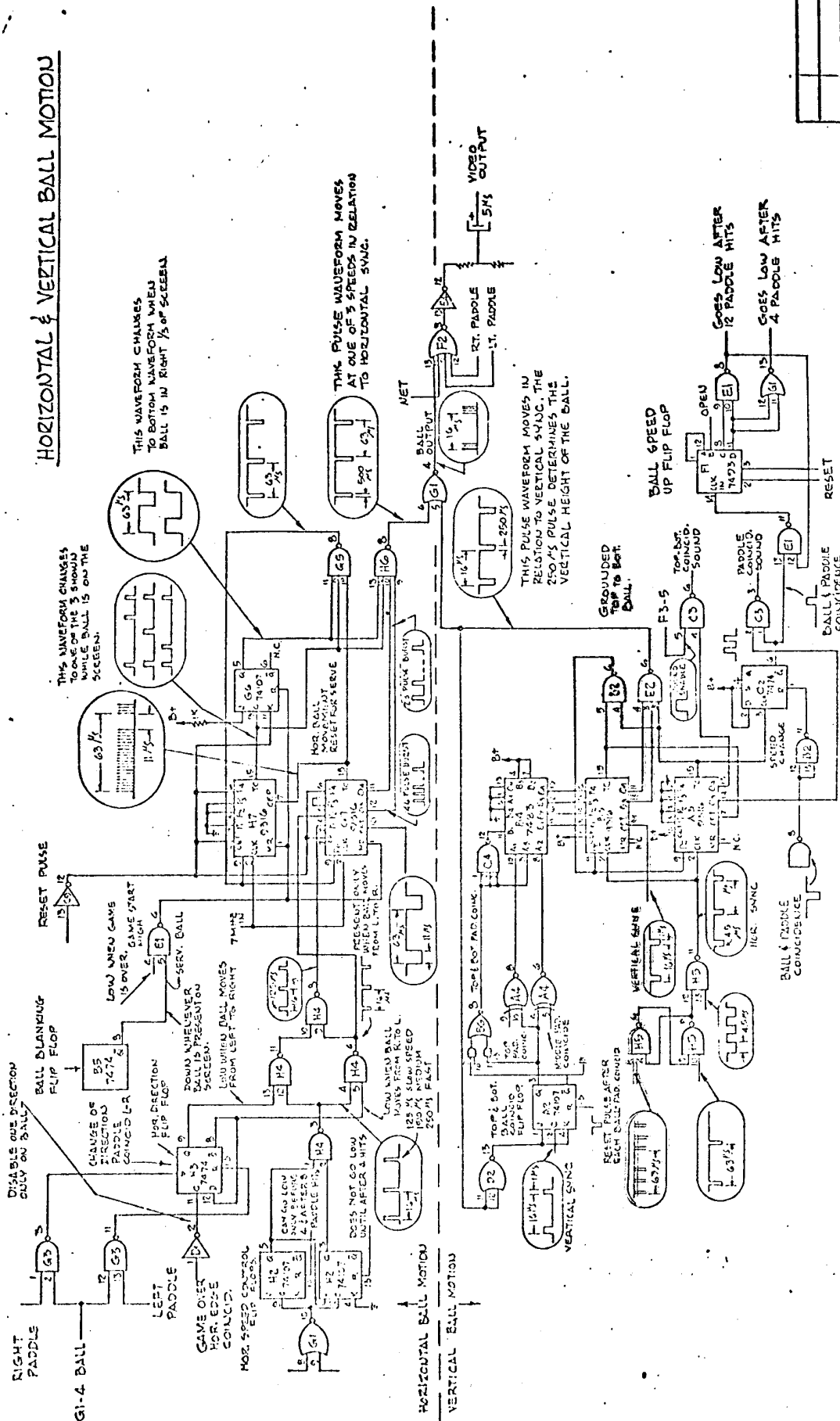


SCORE NOT PATTERN

- PADDLE BATTLE -

| | |
|--|--|
| ALLIED LEISURE INDUSTRIES INC. 1700 W. 4TH AVENUE MIAMI, FLORIDA 33101 | |
| TOLERANCES UNLESS OTHERWISE SPECIFIED | FRACTIONS = 1/64 DECIMALS = .01 DECIMALS = .005 HOLES = .002 ANGLES = ± 1/4° |
| NAME: SCORE CIRCUIT- MATL: FINISH DWR: GT APP.D: SCALE DATE: 7-26-73 PART NO. | QTY: ASSEM. C |
| REVISION LETTER | BY |
| REVISION | REVISION |

HORIZONTAL & VERTICAL BALL MOTION



| TOLERANCES UNLESS OTHERWISE SPECIFIED | |
|---------------------------------------|--------|
| FRACTIONS | ± 1/64 |
| DECIMALS | ± .01 |
| DECIMALS | ± .005 |
| HOLS | ± .002 |
| ANGLES | ± 1/2° |

| | | | | |
|-----------------|--|----------|----|--|
| D | | | | |
| C | | | | |
| B | | | | |
| A | | | | |
| REVISION LETTER | | REVISION | BY | |

-PADDLE BATTLE QTY. ASSEM. ON

ALLIED LEISURE INDUSTRIES INC.
1700 W. 4TH AVENUE
MIALEAH, FLORIDA 33010

NAME: **HORIZ. & VERT. BALL MOTION**

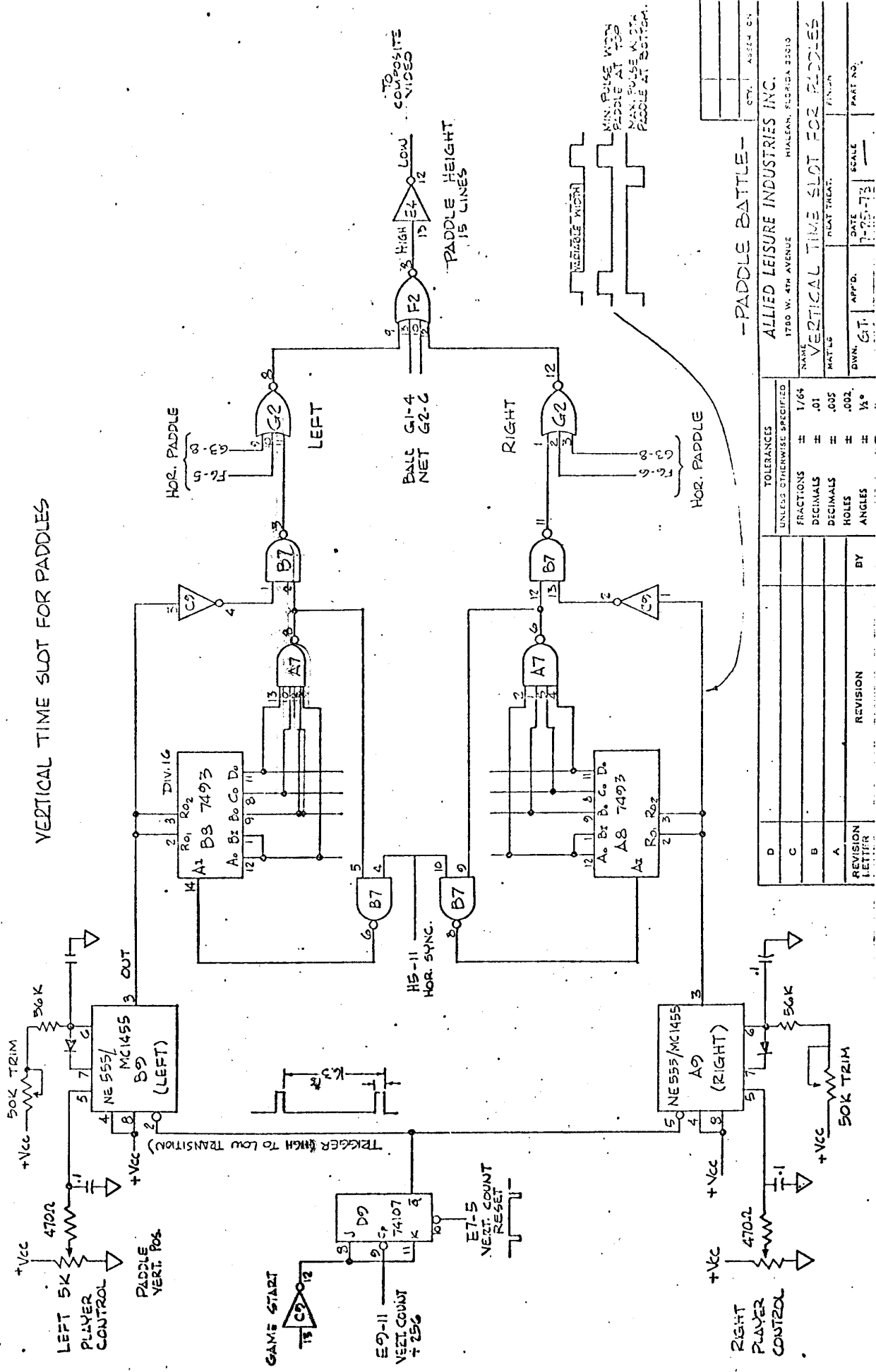
MATLS: **FINISH**

DWN. CAT. **GT.** APP. D. **7-27-73** SCALE: **1**

HEAT TREAT.

PART P.3

VERTICAL TIME SLOT FOR PADDLES



--PADDLE BATTLE--

ALLIED LEISURE INDUSTRIES INC.
 1700 W. 4TH AVENUE
 MIAMI, FLORIDA 33130

NAME: VERTICAL TIME SLOT FOR PADDLES
 MAT'L: FINISH
 DWN: G.T. APP'D: DATE: 7-25-73 SCALE: 1:1 PART NO.:

| TOLERANCES UNLESS OTHERWISE SPECIFIED | |
|---------------------------------------|--------|
| FRACTIONS | ± 1/64 |
| DECIMALS | ± .01 |
| DECIMALS | ± .005 |
| HOLE | ± .002 |
| ANGLES | ± 1/2° |

| REVISION LETTER | REVISION | BY |
|-----------------|----------|----|
| D | | |
| C | | |
| B | | |
| A | | |

