

Xybots™ Schematic Package

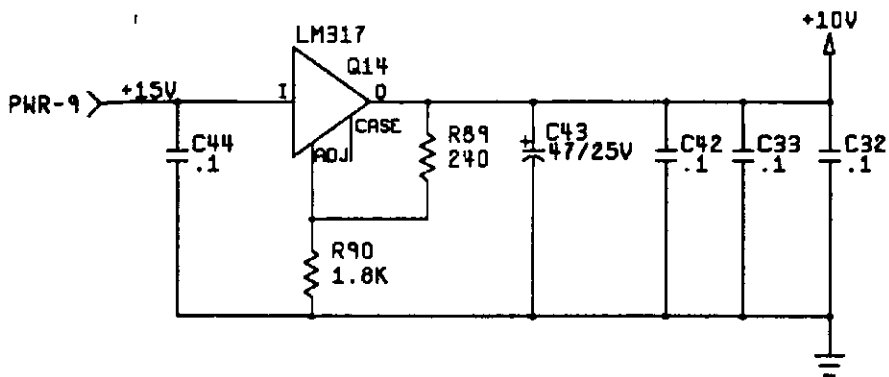
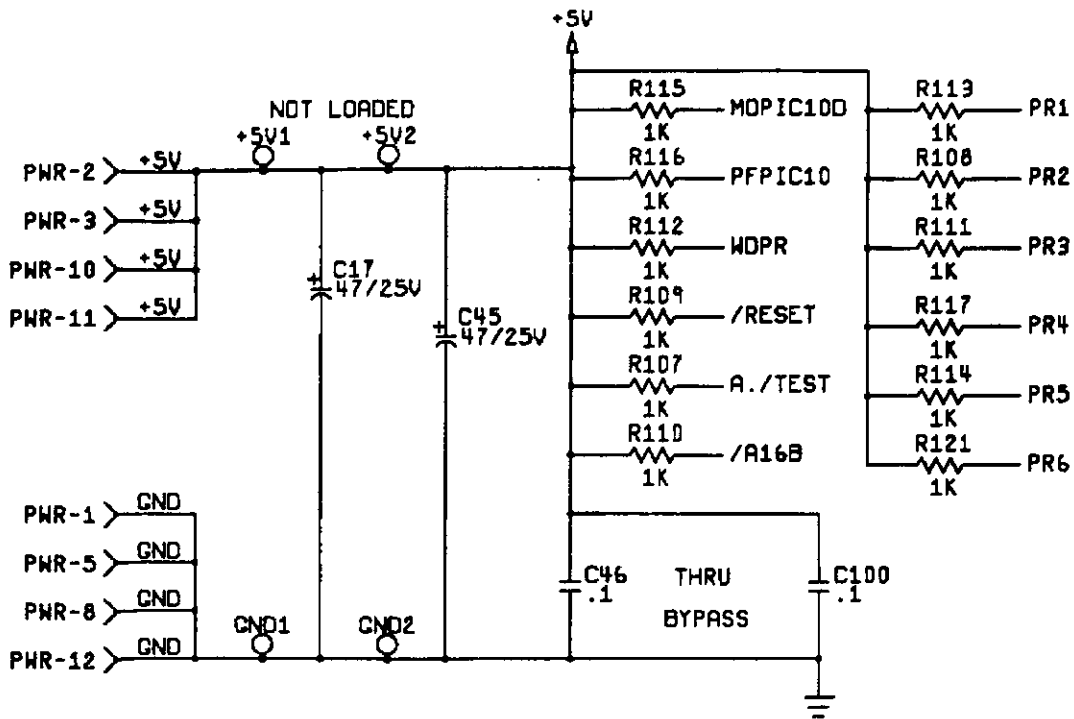
Supplement to the Operators Manual

NOTE

This staple temporarily holds the schematic package together. Remove the staple before using these schematics.

Table of Contents

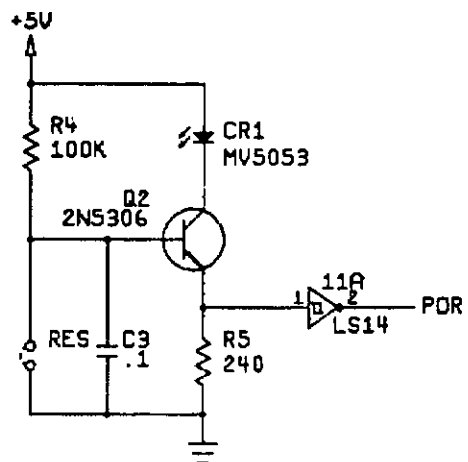
Xybots™ Game PCB Assembly Schematic Diagram	Sheets 1-9
Xybots Main Wiring Diagram and Detailed Control Panel Wiring Diagram	Sheet 10
Stand-Alone Audio PCB Assembly Schematic Diagram	Sheets 11-14
Wiring Diagrams for Switching/Linear (SL) Power Supply, Hitron 5V 10A Switching Power Supply, and Coin Door	Sheet 15
Xybots Harness Installation	Sheet 16



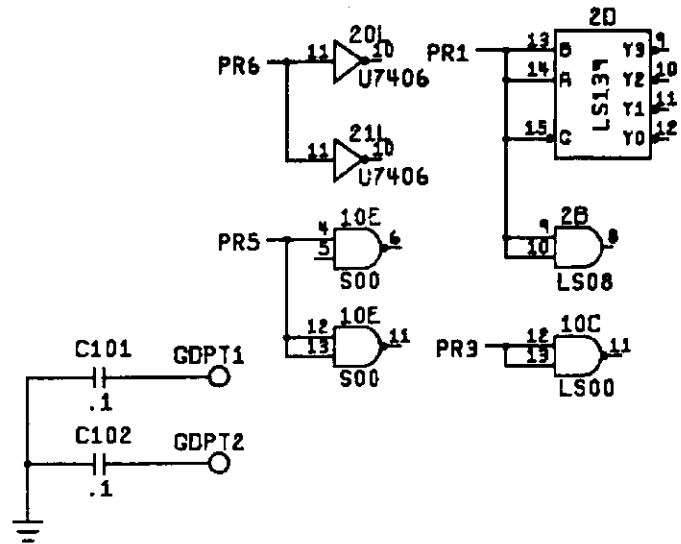
PWR-4 > NC

PWR-6 > NC

PWR-7 > NC



SPARE GATES



NOTES: UNLESS OTHERWISE SPECIFIED

1. RESISTOR VALUES ARE IN OHMS, 1/8W.

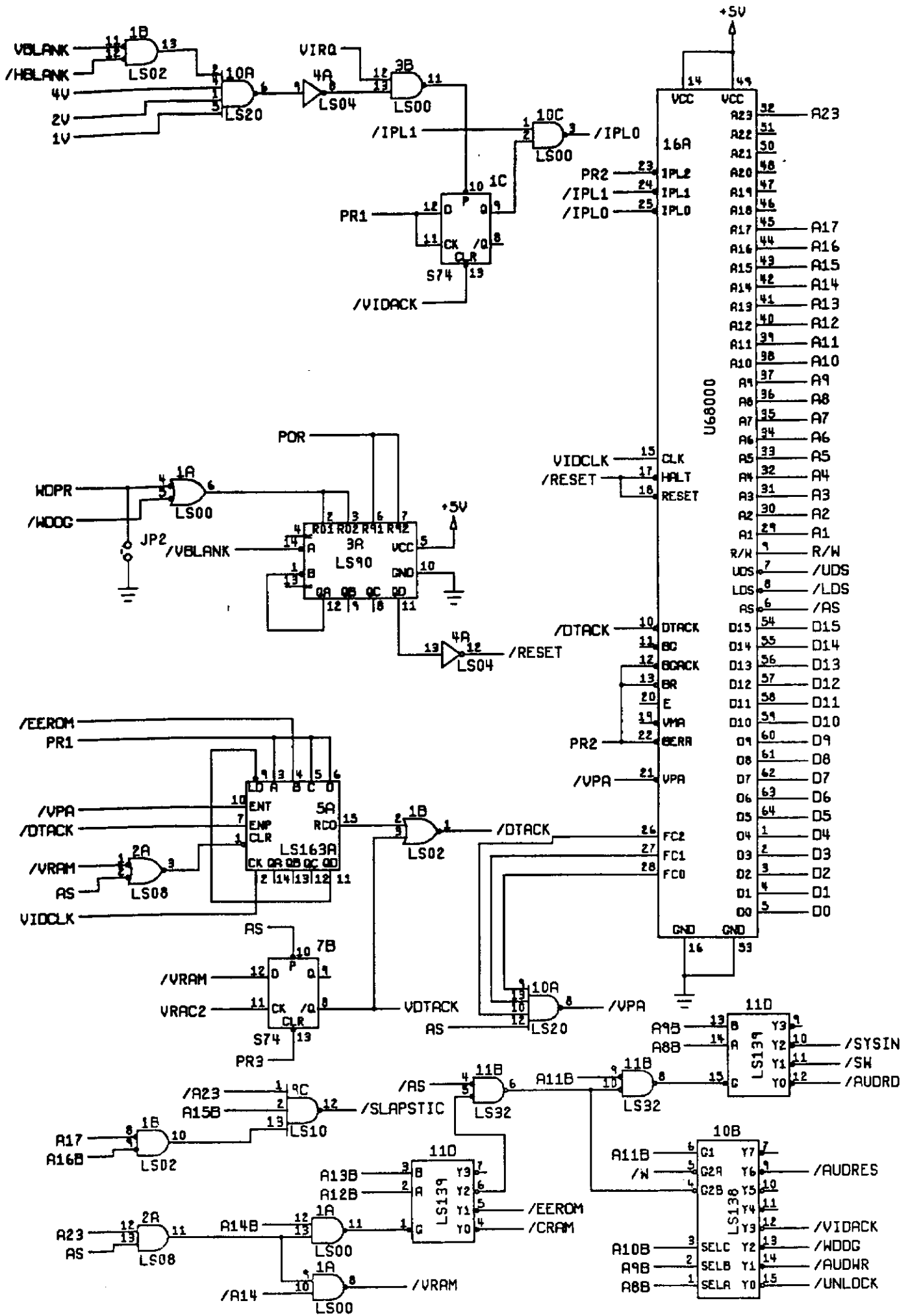
NOTICE TO ALL PERSONS RECEIVING THIS DRAWING
 CONFIDENTIAL: Reproduction forbidden without the specific written permission of Atari Games Corporation, Milpitas, CA. This drawing is only conditionally issued, and neither receipt nor possession thereof confers or transfers any right in, or license to use, the subject matter of the drawing or any design or technical information shown thereon, nor any right to reproduce this drawing or any part thereof. Except for manufacture by vendors of Atari Games Corporation, and for manufacture under the corporation's written license, no right is granted to reproduce this drawing or the subject matter thereof, unless by written agreement with or written permission from the corporation.

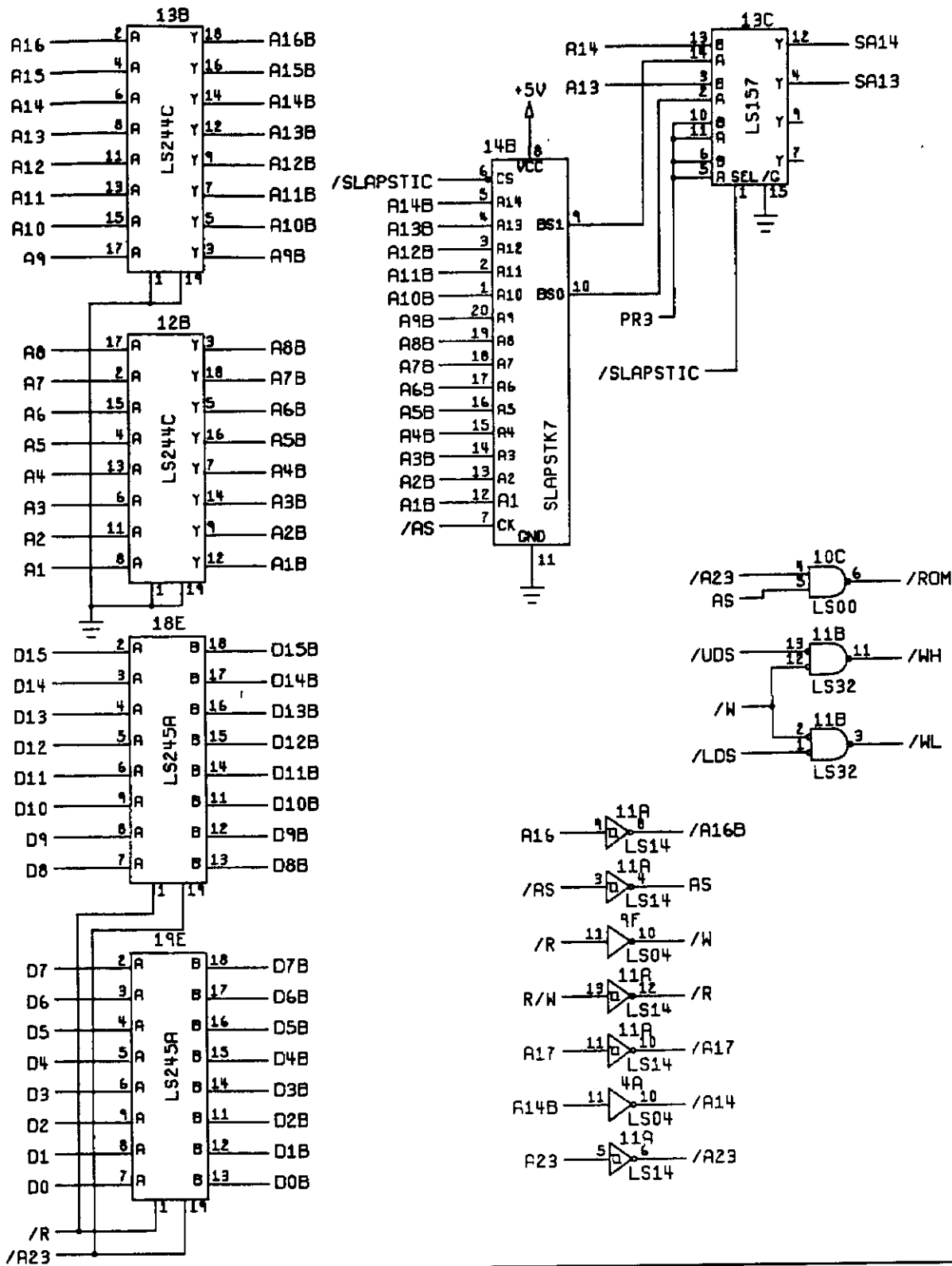


Xybots™ Game PCB Assembly Schematic Diagram

© 1987 Atari Games Corporation

SP-313 Sheet 1
1st printing





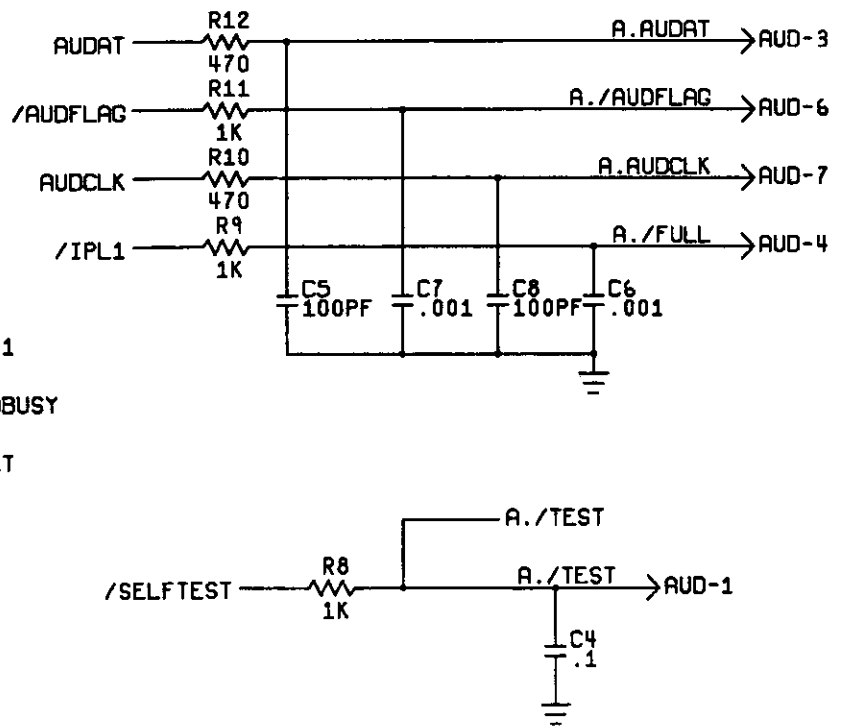
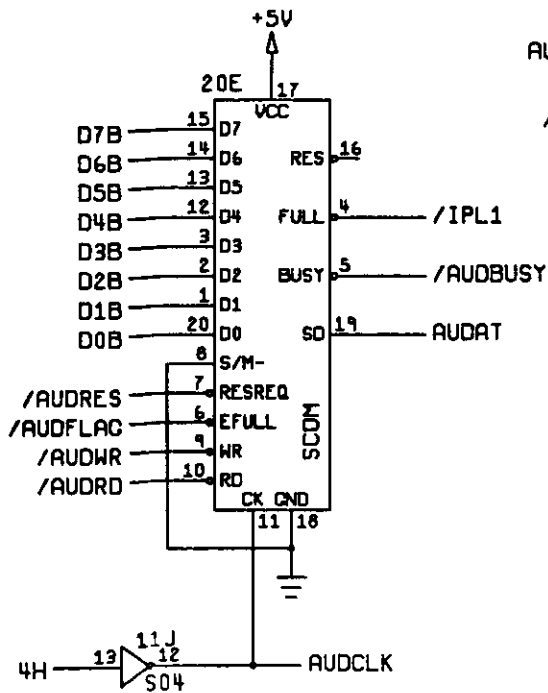
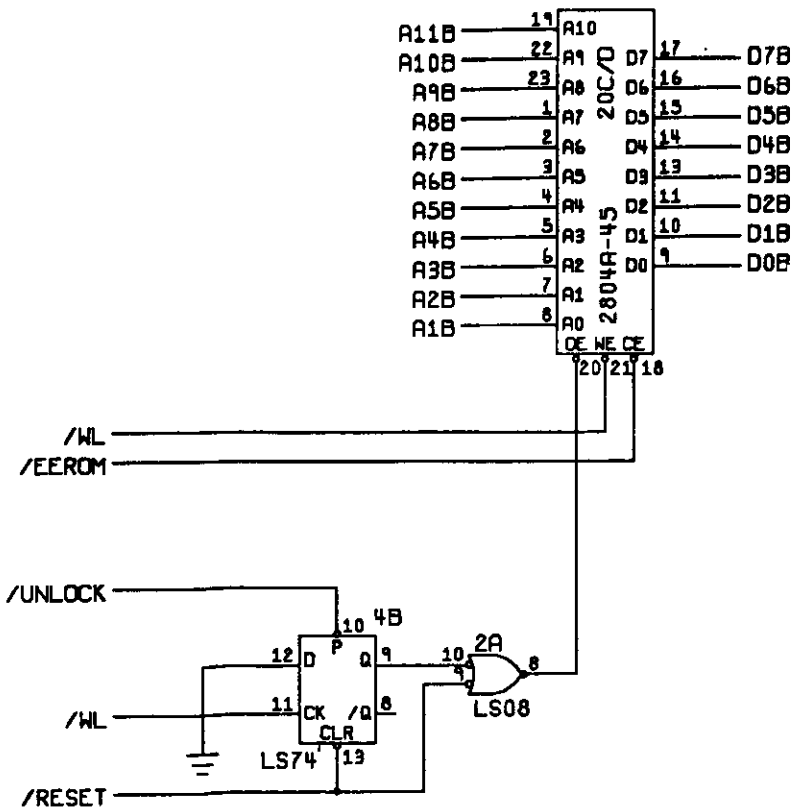
NOTICE TO ALL PERSONS RECEIVING THIS DRAWING
 CONFIDENTIAL: Reproduction forbidden without the specific written permission of Atari Games Corporation, Milpitas, CA. This drawing is only conditionally issued, and neither receipt nor possession thereof confers or transfers any right in, or license to use, the subject matter of the drawing or any design or technical information shown thereon, nor any right to reproduce this drawing or any part thereof. Except for manufacture by vendors of Atari Games Corporation, and for manufacture under the corporation's written license, no right is granted to reproduce this drawing or the subject matter thereof, unless by written agreement with or written permission from the corporation.

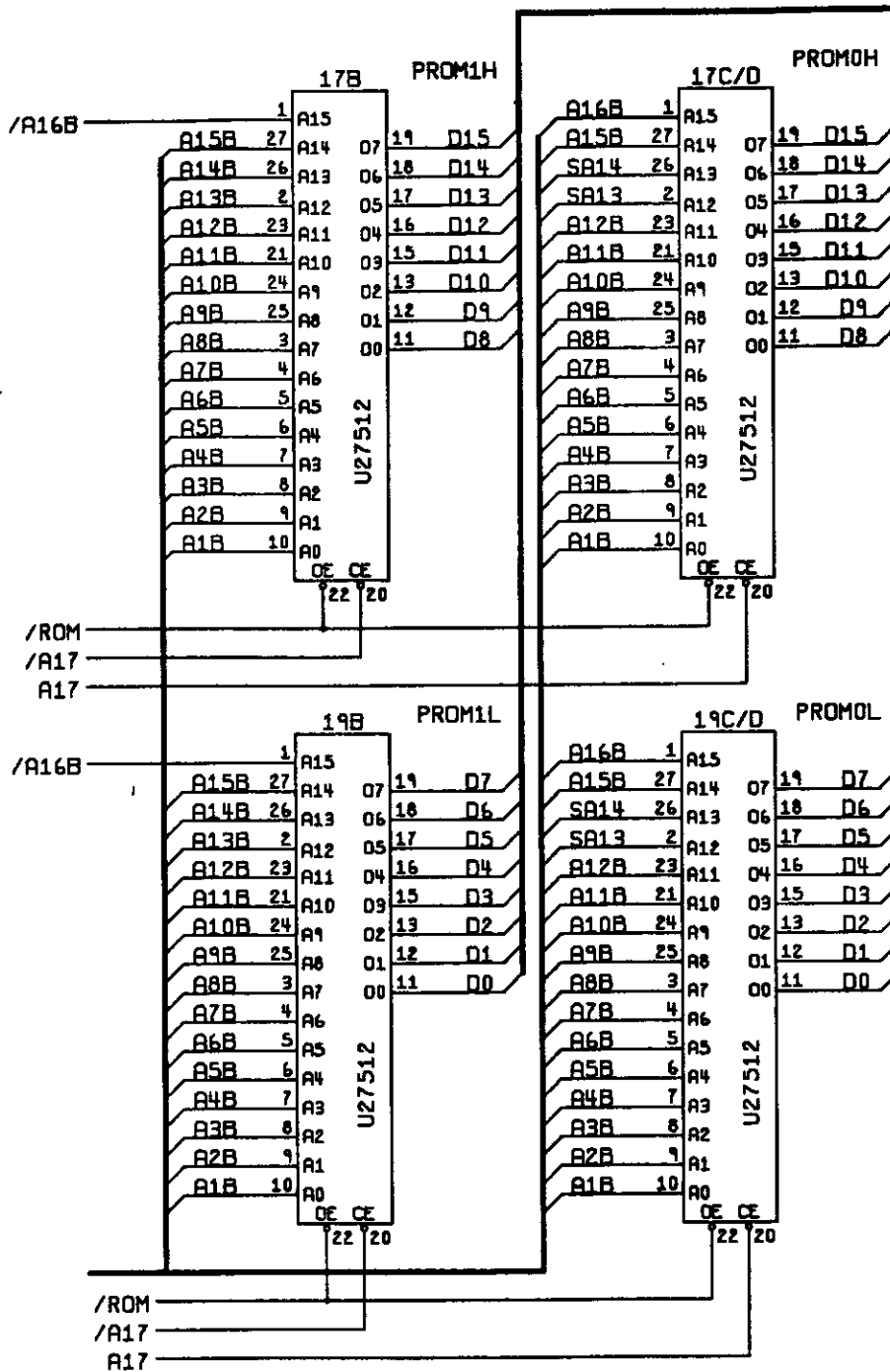


Xybots™ Game PCB Assembly Schematic Diagram

© 1987 Atari Games Corporation

SP-313 Sheet 2
1st printing





NOTICE TO ALL PERSONS RECEIVING THIS DRAWING

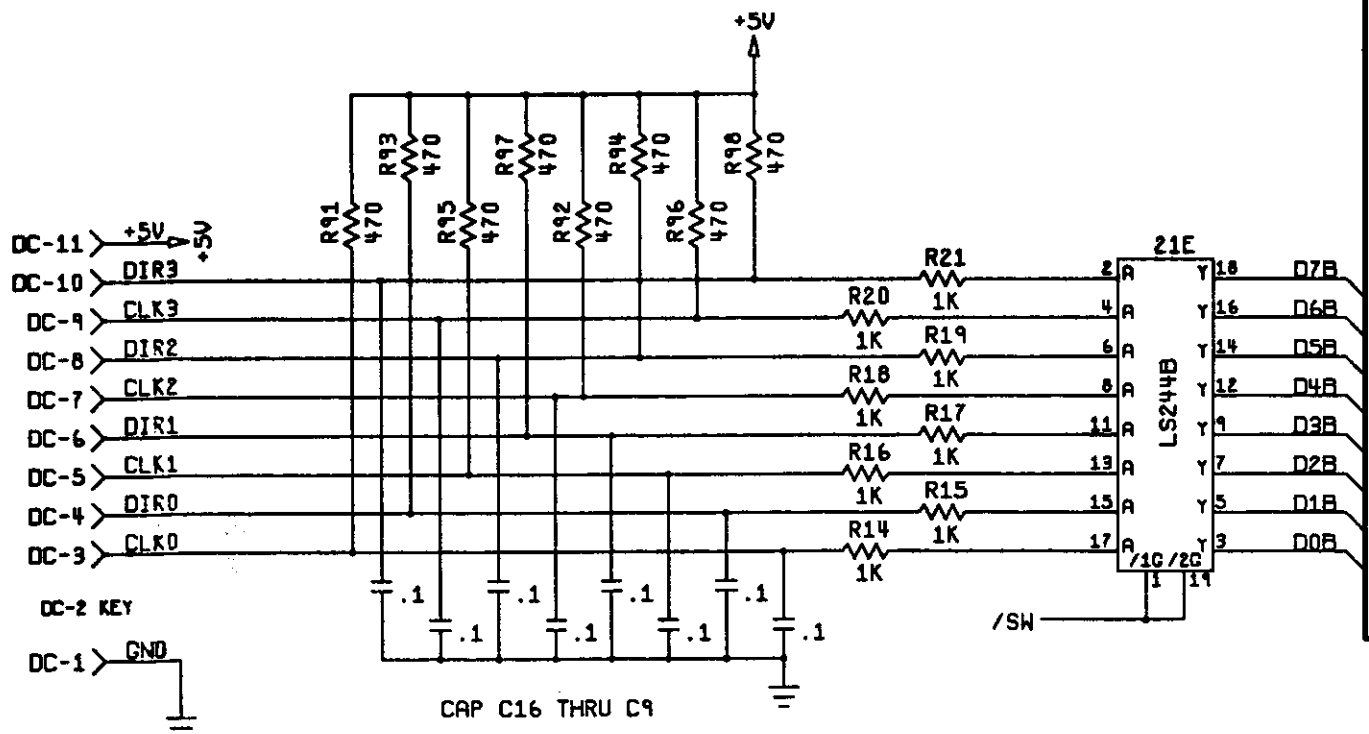
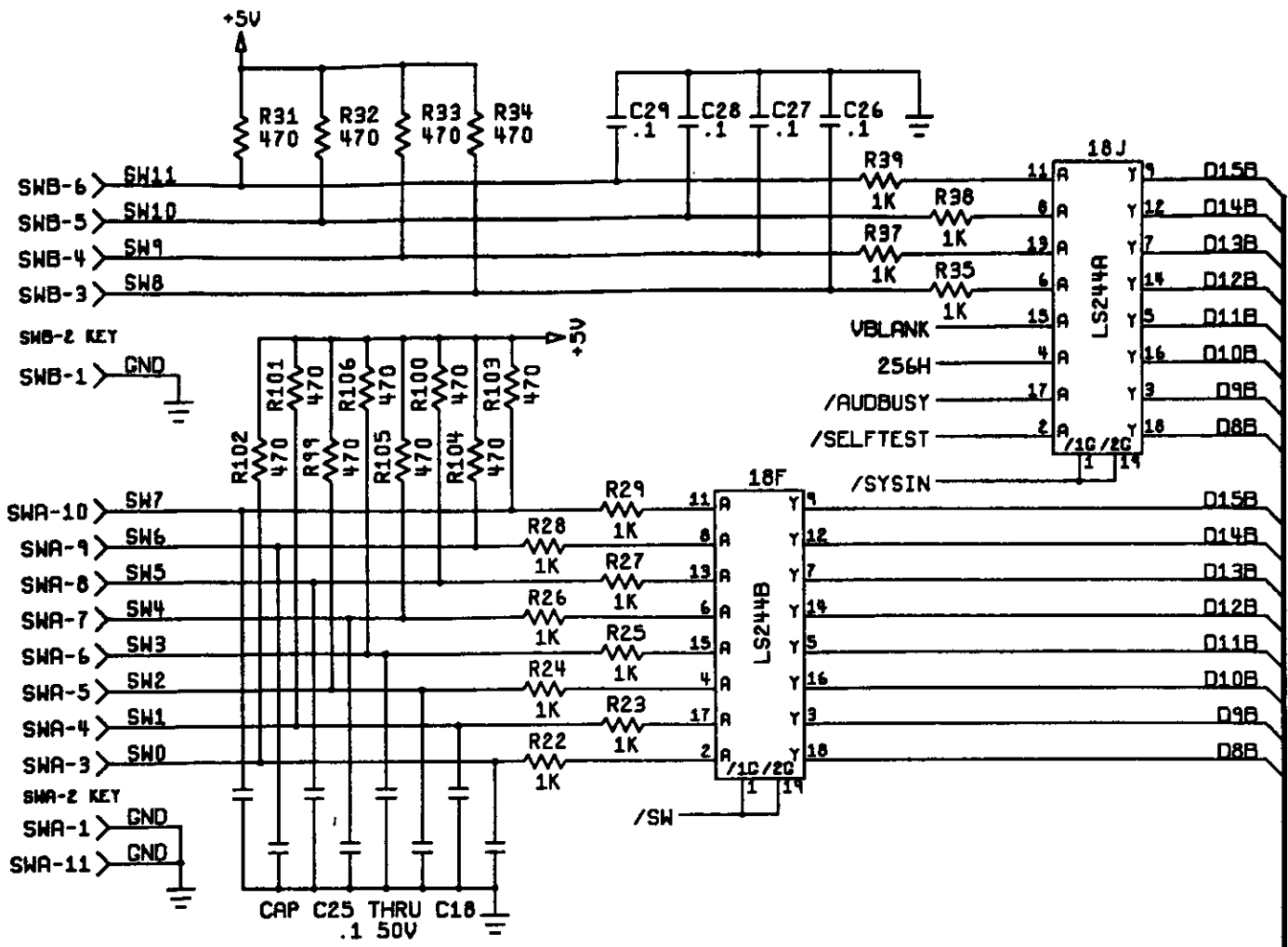
CONFIDENTIAL: Reproduction forbidden without the specific written permission of Atari Games Corporation, Milpitas, CA. This drawing is only conditionally issued, and neither receipt nor possession thereof confers or transfers any right in, or license to use, the subject matter of the drawing or any design or technical information shown thereon, nor any right to reproduce this drawing or any part thereof. Except for manufacture by vendors of Atari Games Corporation, and for manufacture under the corporation's written license, no right is granted to reproduce this drawing or the subject matter thereof, unless by written agreement with or written permission from the corporation.

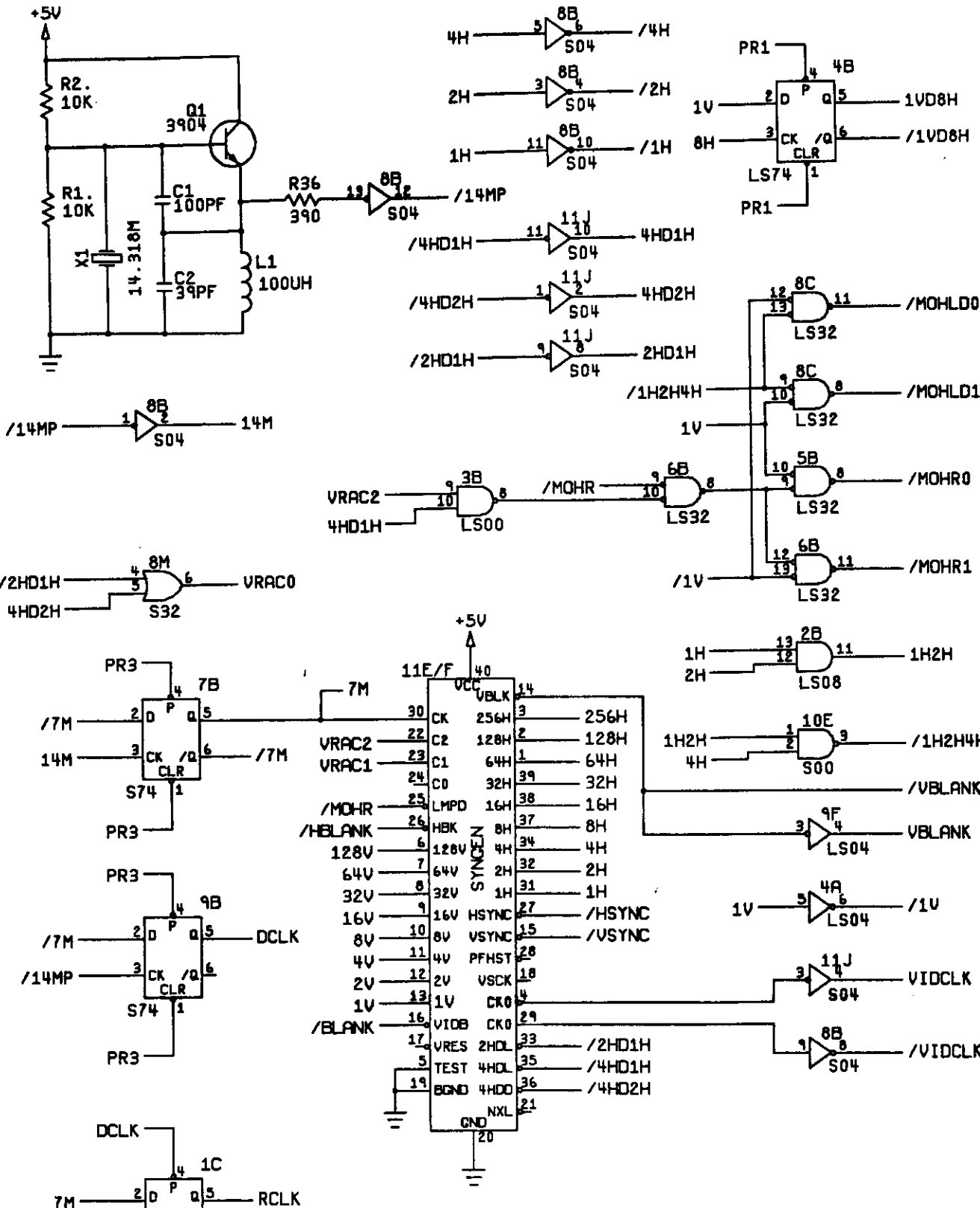


Xybots™ Game PCB Assembly Schematic Diagram

© 1987 Atari Games Corporation

SP-313 Sheet 3
1st printing





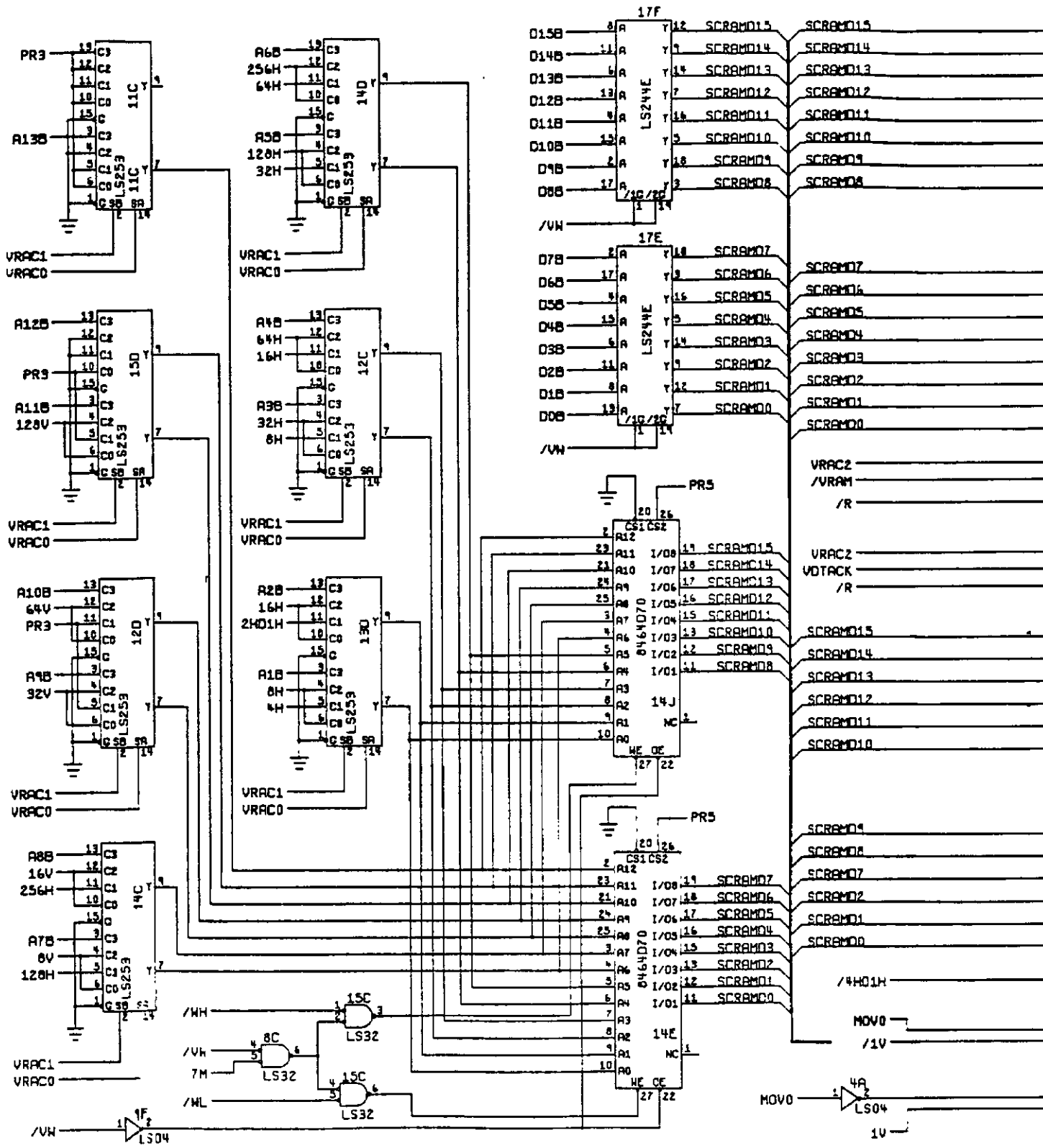
NOTICE TO ALL PERSONS RECEIVING THIS DRAWING
 CONFIDENTIAL: Reproduction forbidden without the specific written permission of Atari Games Corporation, Milpitas, CA. This drawing is only conditionally issued, and neither receipt nor possession thereof confers or transfers any right in, or license to use, the subject matter of the drawing or any design or technical information shown thereon, nor any right to reproduce this drawing or any part thereof. Except for manufacture by vendors of Atari Games Corporation, and for manufacture under the corporation's written license, no right is granted to reproduce this drawing or the subject matter thereof, unless by written agreement with or written permission from the corporation.



Xybots™ Game PCB Assembly Schematic Diagram

© 1987 Atari Games Corporation

SP-313 Sheet 4
 1st printing



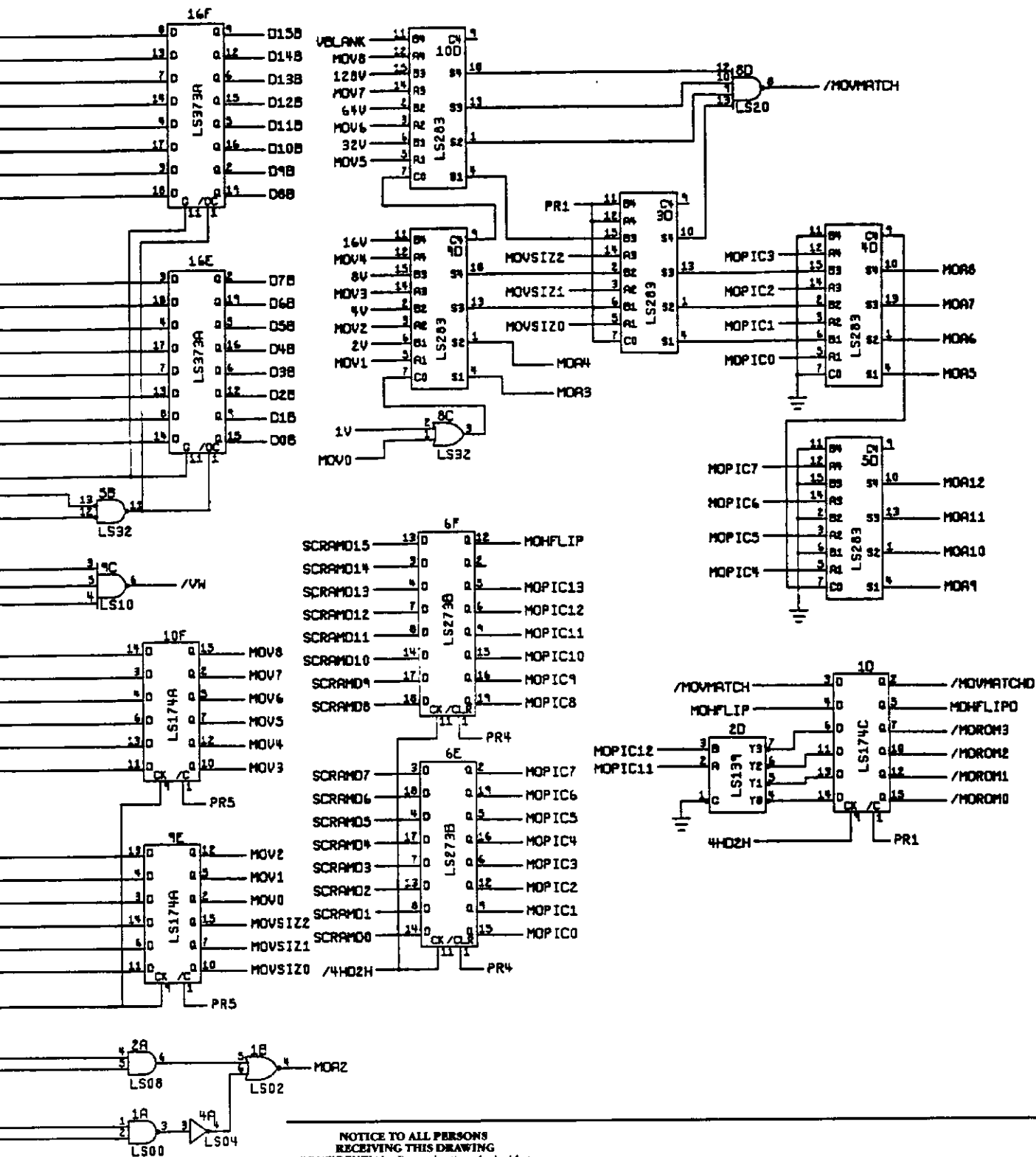
17F

D15B	9	A	Y12	SCRAMD15	SCRAMD15
D14B	11	A	Y9	SCRAMD14	SCRAMD14
D13B	6	A	Y14	SCRAMD13	SCRAMD13
D12B	13	A	Y7	SCRAMD12	SCRAMD12
D11B	8	A	Y16	SCRAMD11	SCRAMD11
D10B	15	A	Y3	SCRAMD10	SCRAMD10
D9B	2	A	Y18	SCRAMD9	SCRAMD9
D8B	17	A	Y2	SCRAMD8	SCRAMD8
/VH			1/16/16		

17E

D7B	2	A	Y18	SCRAMD7	SCRAMD7
D6B	17	A	Y2	SCRAMD6	SCRAMD6
D5B	8	A	Y16	SCRAMD5	SCRAMD5
D4B	15	A	Y3	SCRAMD4	SCRAMD4
D3B	6	A	Y14	SCRAMD3	SCRAMD3
D2B	11	A	Y7	SCRAMD2	SCRAMD2
D1B	8	A	Y12	SCRAMD1	SCRAMD1
D0B	13	A	Y7	SCRAMD0	SCRAMD0
/VH			1/16/16		

VRAC2	
/VRAM	
/R	
VRAC2	
VDTACK	
/R	
SCRAMD15	
SCRAMD14	
SCRAMD13	
SCRAMD12	
SCRAMD11	
SCRAMD10	
SCRAMD9	
SCRAMD8	
SCRAMD7	
SCRAMD6	
SCRAMD5	
SCRAMD4	
SCRAMD3	
SCRAMD2	
SCRAMD1	
SCRAMD0	
/4H01H	
MOV0	
/1V	



NOTICE TO ALL PERSONS RECEIVING THIS DRAWING

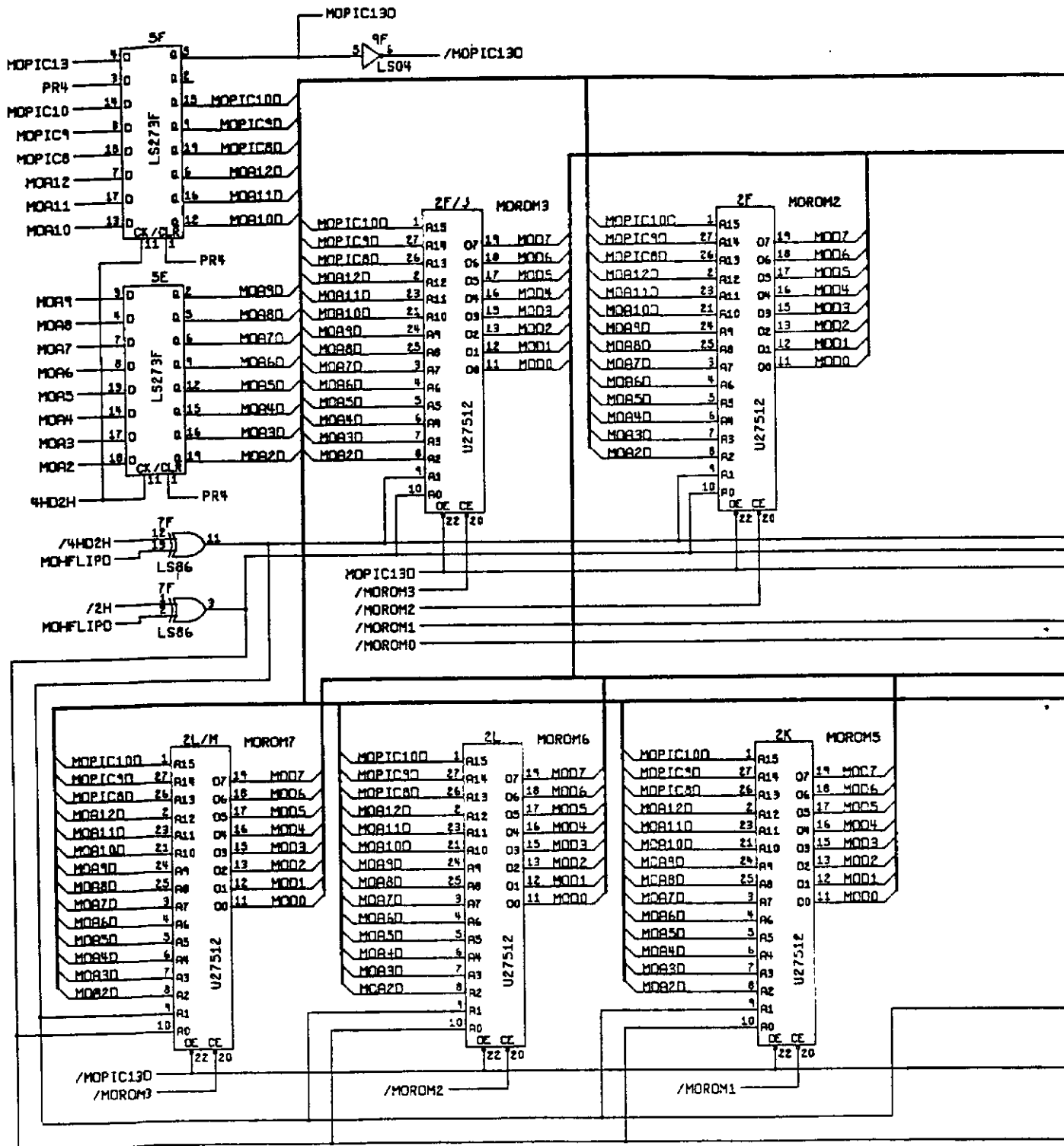
CONFIDENTIAL. Reproduction forbidden without the specific written permission of Atari Games Corporation, Milpitas, CA. This drawing is only conditionally issued, and neither receipt nor possession thereof confers or transfers any right in, or license to use, the subject matter of the drawing or any design or technical information shown thereon, nor any right to reproduce this drawing or any part thereof. Except for manufacture by vendors of Atari Games Corporation, and for manufacture under the corporation's written license, no right is granted to reproduce this drawing or the subject matter thereof, unless by written agreement with or written permission from the corporation.

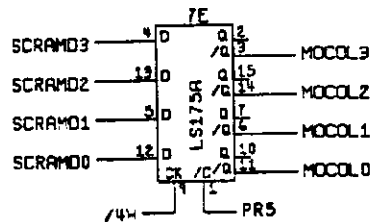
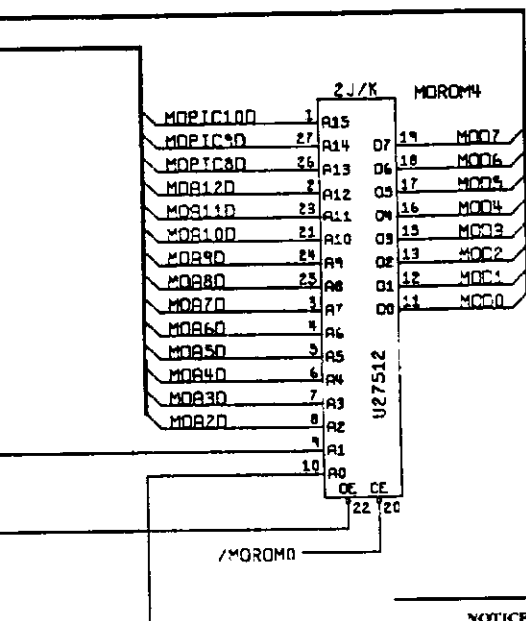
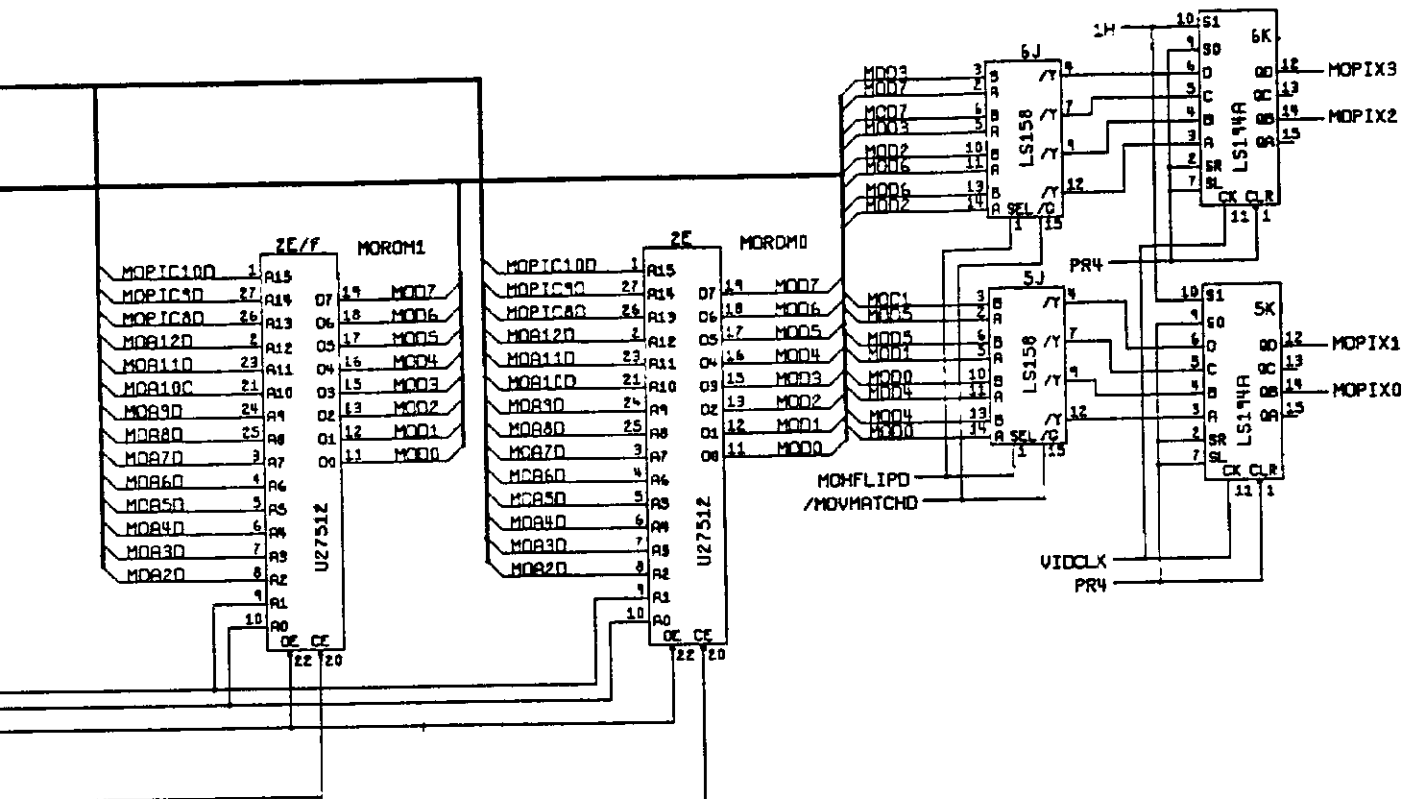


Xybots™ Game PCB Assembly Schematic Diagram

© 1987 Atari Games Corporation

SP-313 Sheet 5
1st printing





NOTICE TO ALL PERSONS RECEIVING THIS DRAWING

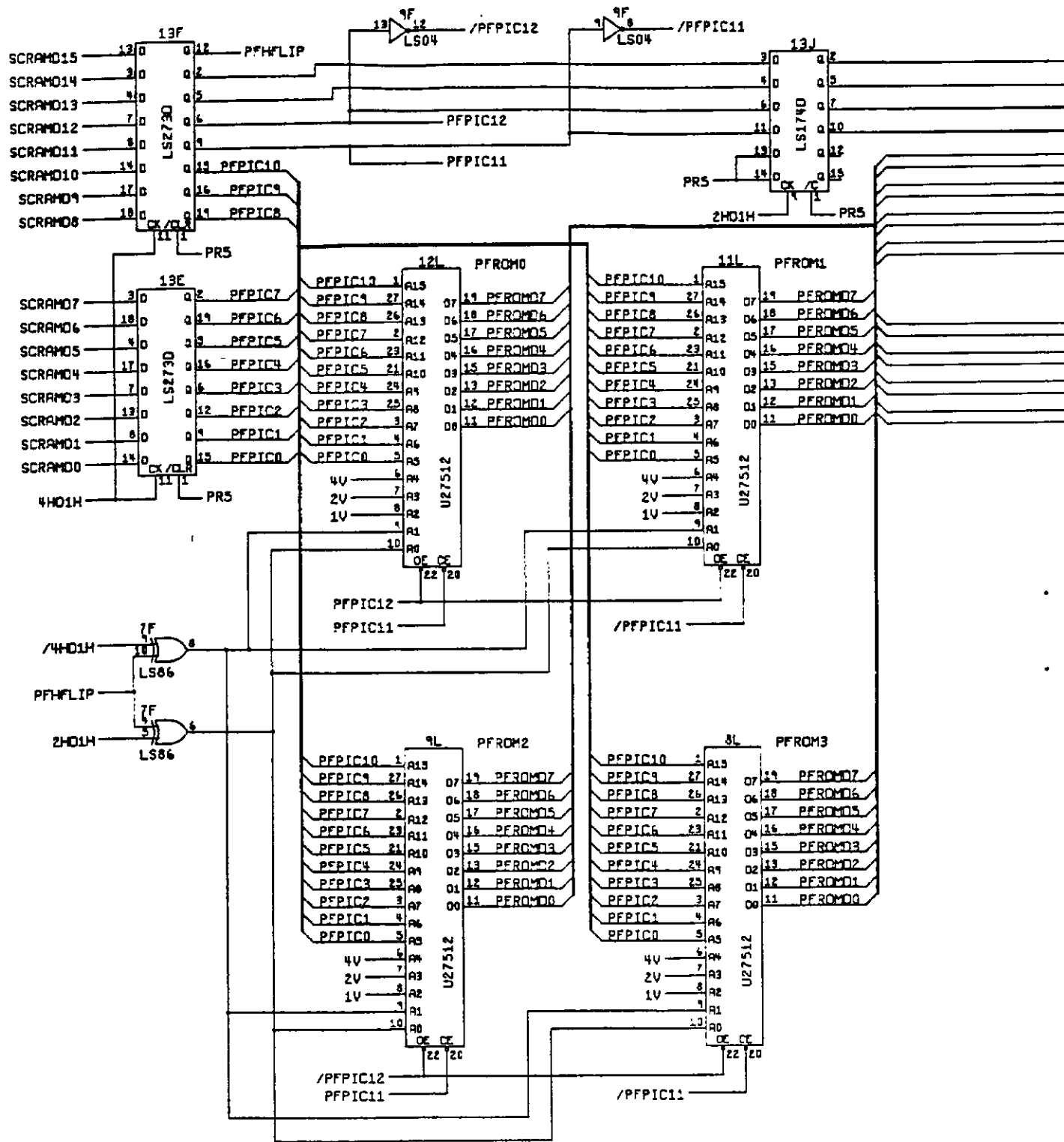
CONFIDENTIAL. Reproduction forbidden without the specific written permission of Atari Games Corporation, Milpitas, CA. This drawing is only conditionally issued, and neither receipt nor possession thereof confers or transfers any right in, or license to use, the subject matter of the drawing or any design or technical information shown thereon, nor any right to reproduce this drawing or any part thereof. Except for manufacture by vendors of Atari Games Corporation, and for manufacture under the corporation's written license, no right is granted to reproduce this drawing or the subject matter thereof, unless by written agreement with or written permission from the corporation.

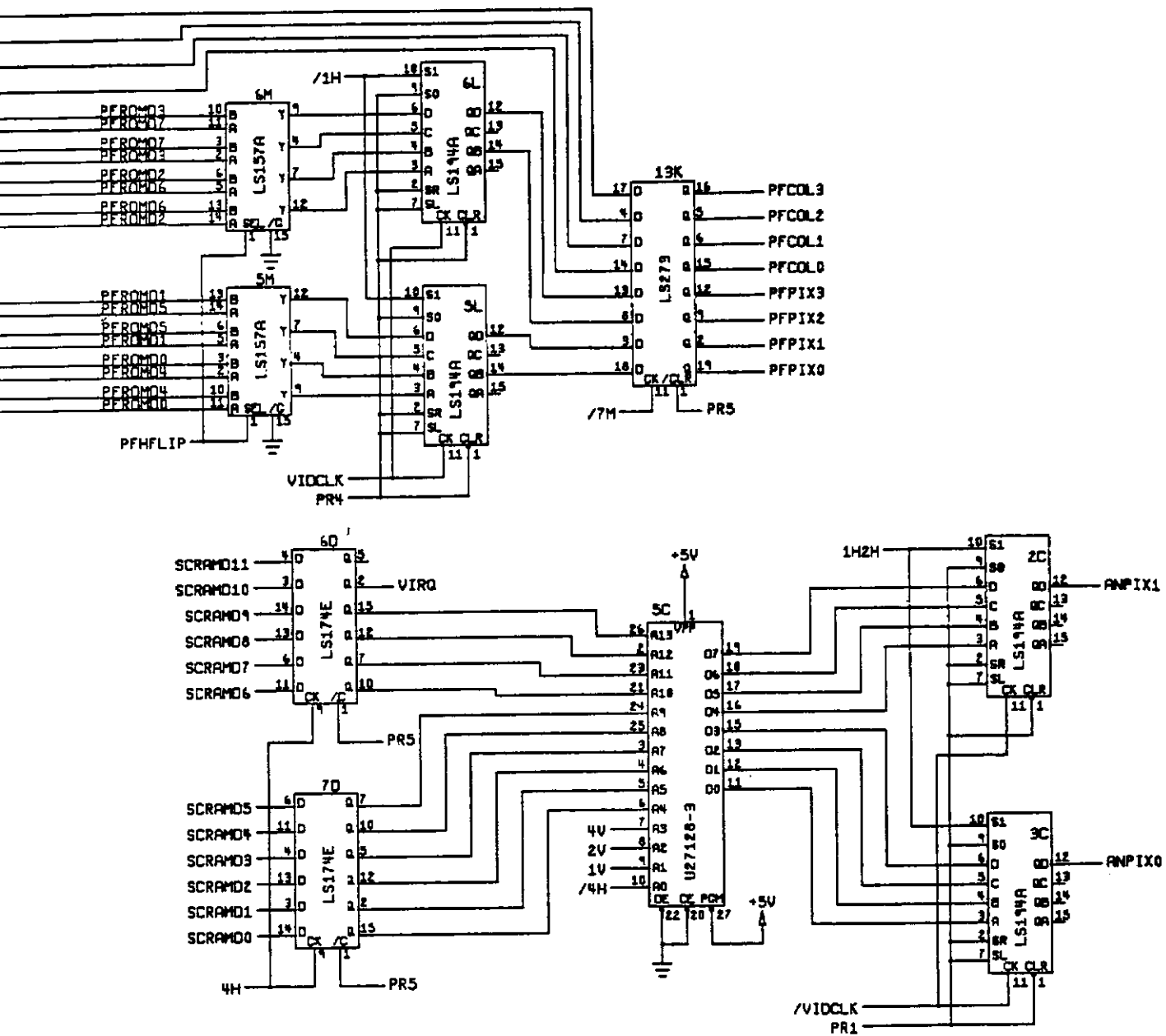
Xybots™ Game PCB Assembly Schematic Diagram



© 1987 Atari Games Corporation

SP-313 Sheet 6
1st printing





NOTICE TO ALL PERSONS RECEIVING THIS DRAWING

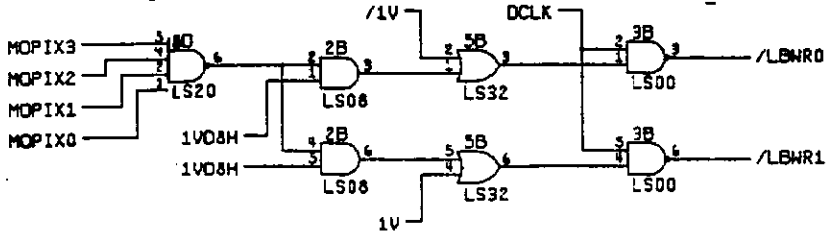
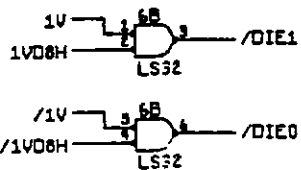
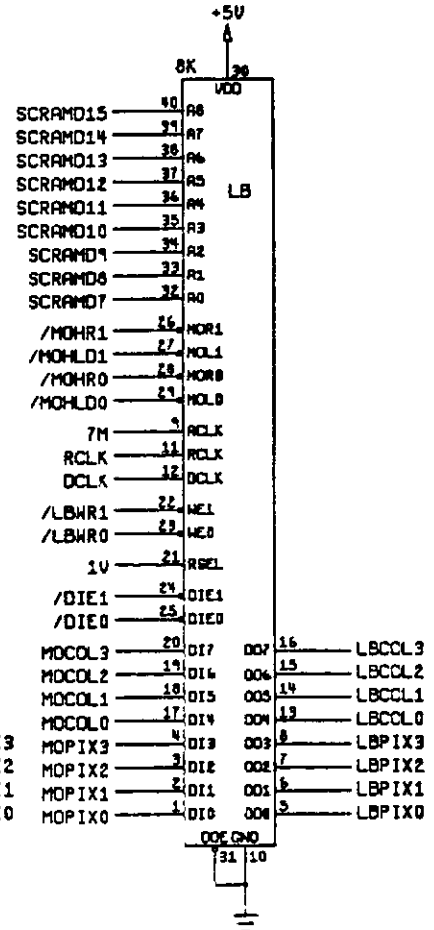
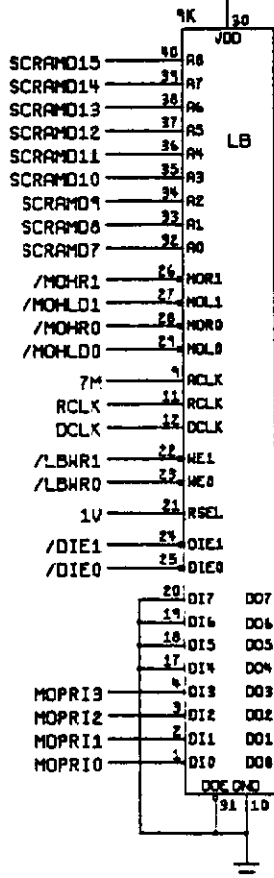
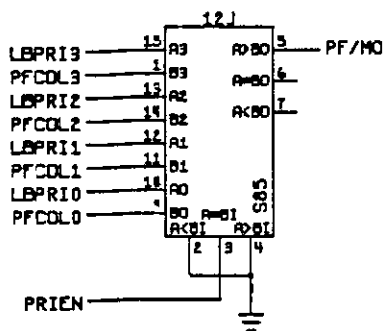
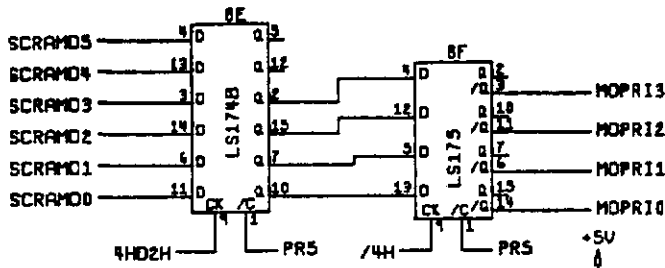
CONFIDENTIAL. Reproduction forbidden without the specific written permission of Atari Games Corporation, Milpitas, CA. This drawing is only conditionally issued, and neither receipt nor possession thereof confers or transfers any right in, or license to use, the subject matter of the drawing or any design or technical information shown thereon, nor any right to reproduce this drawing or any part thereof. Except for manufacture by vendors of Atari Games Corporation, and for manufacture under the corporation's written license, no right is granted to reproduce this drawing or the subject matter thereof, unless by written agreement with or written permission from the corporation.

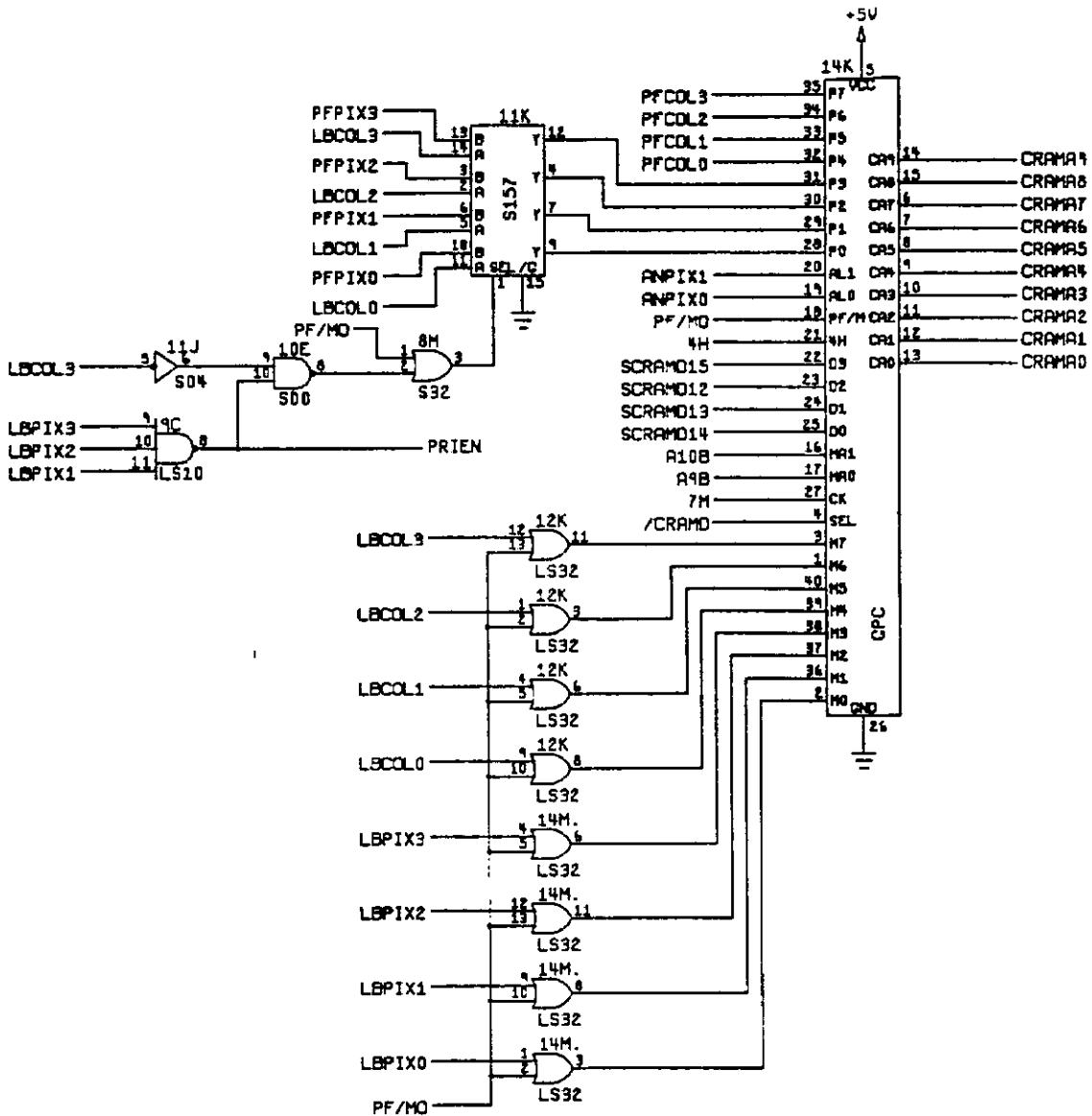


Xybots™ Game PCB Assembly Schematic Diagram

© 1987 Atari Games Corporation

SP-313 Sheet 7
1st printing





NOTICE TO ALL PERSONS RECEIVING THIS DRAWING

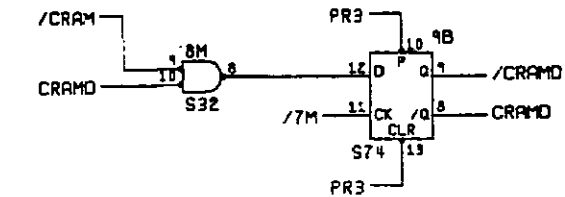
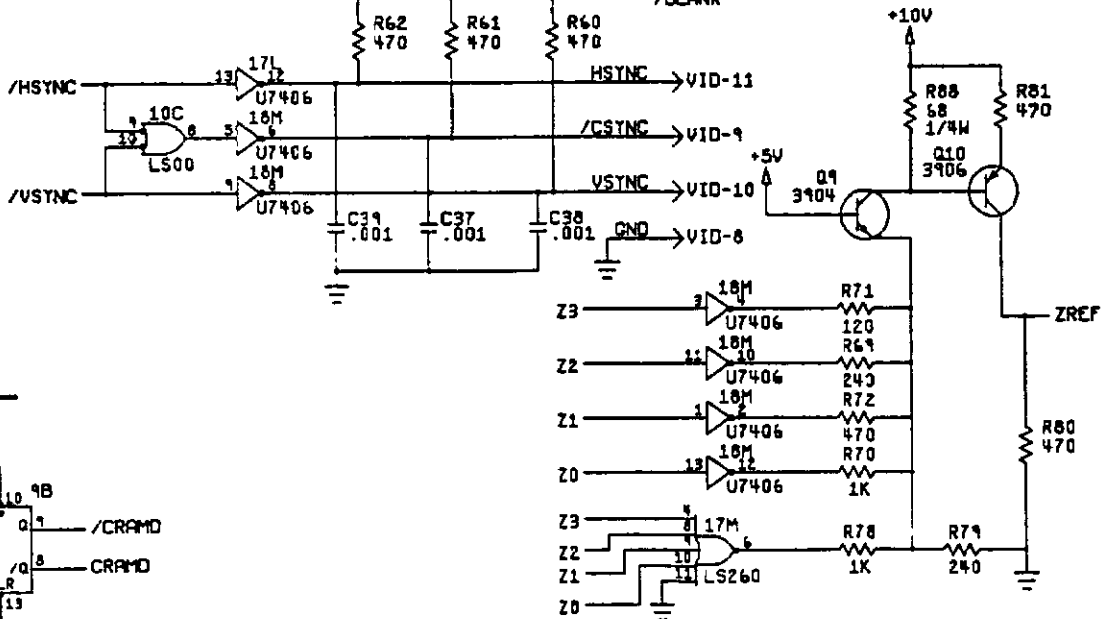
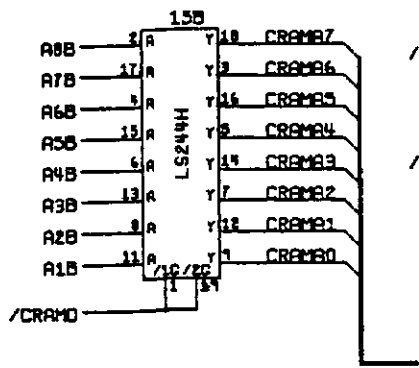
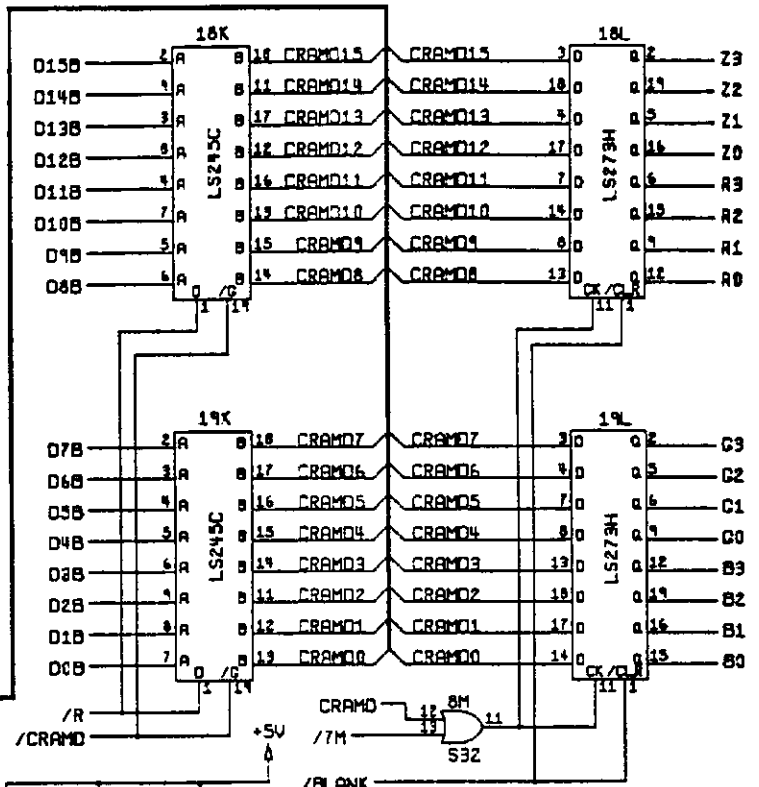
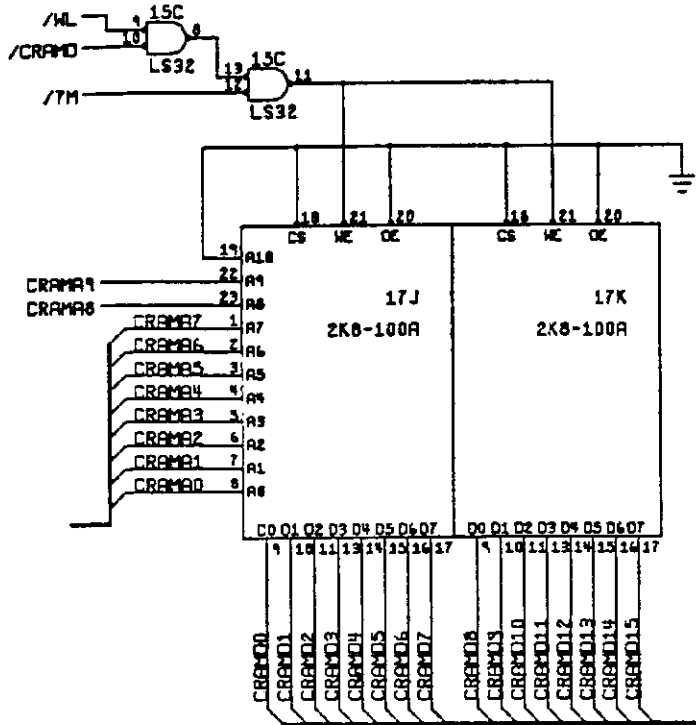
CONFIDENTIAL. Reproduction forbidden without the specific written permission of Atari Games Corporation, Milpitas, CA. This drawing is only conditionally issued, and neither receipt nor possession thereof confers or transfers any right in, or license to use, the subject matter of the drawing or any design or technical information shown thereon, nor any right to reproduce this drawing or any part thereof. Except for manufacture by vendors of Atari Games Corporation, and for manufacture under the corporation's written license, no right is granted to reproduce this drawing or the subject matter thereof, unless by written agreement with or written permission from the corporation.

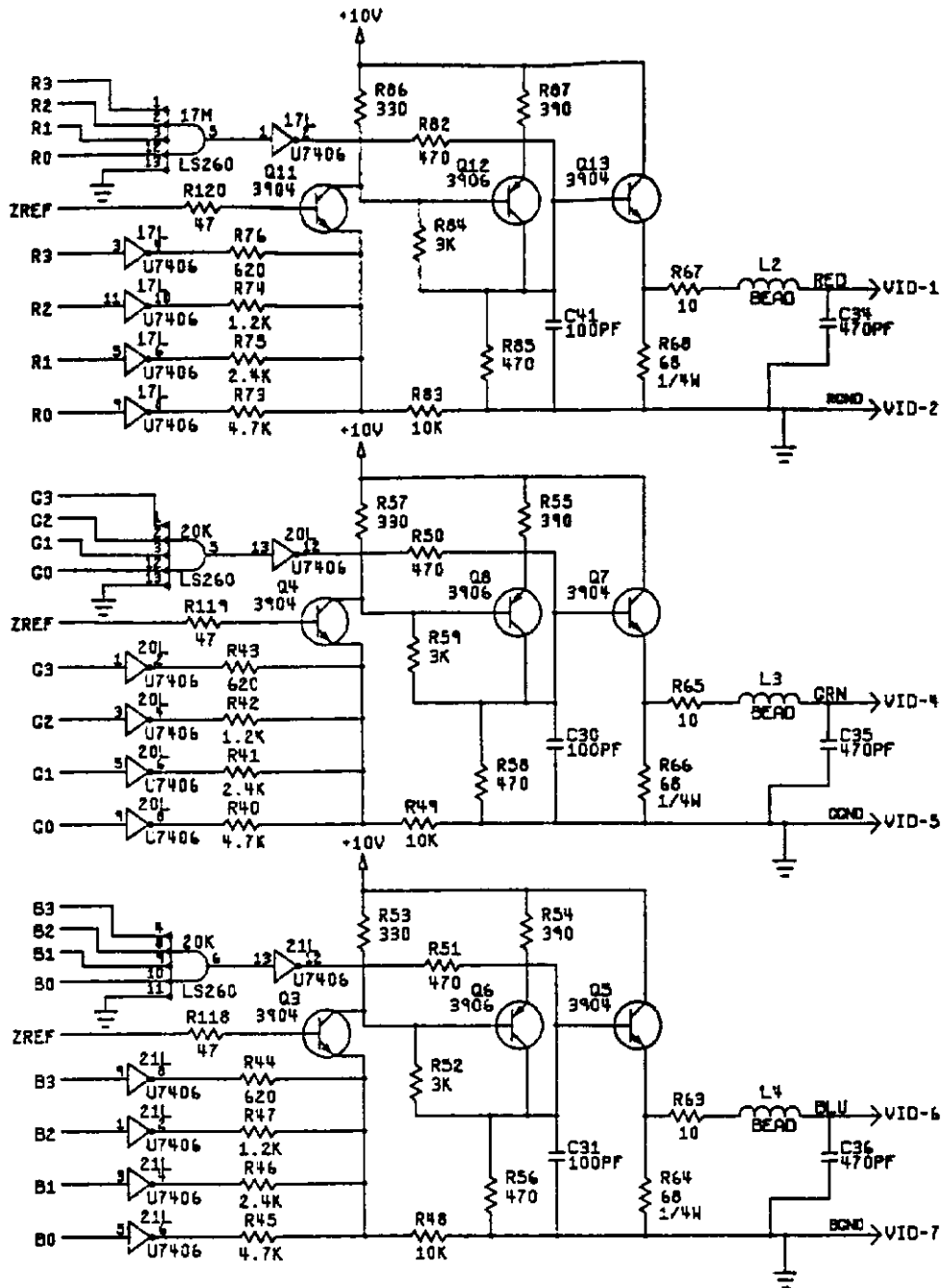


Xybots™ Game PCB Assembly Schematic Diagram

© 1987 Atari Games Corporation

SP-313 Sheet 8
1st printing





**NOTICE TO ALL PERSONS
RECEIVING THIS DRAWING**

CONFIDENTIAL: Reproduction forbidden without the specific written permission of Atari Games Corporation, Milpitas, CA. This drawing is only conditionally issued, and neither receipt nor possession thereof confers or transfers any right in, or license to use, the subject matter of the drawing or any design or technical information shown thereon, nor any right to reproduce this drawing or any part thereof. Except for manufacture by vendors of Atari Games Corporation, and for manufacture under the corporation's written license, no right is granted to reproduce this drawing or the subject matter thereof, unless by written agreement with or written permission from the corporation.

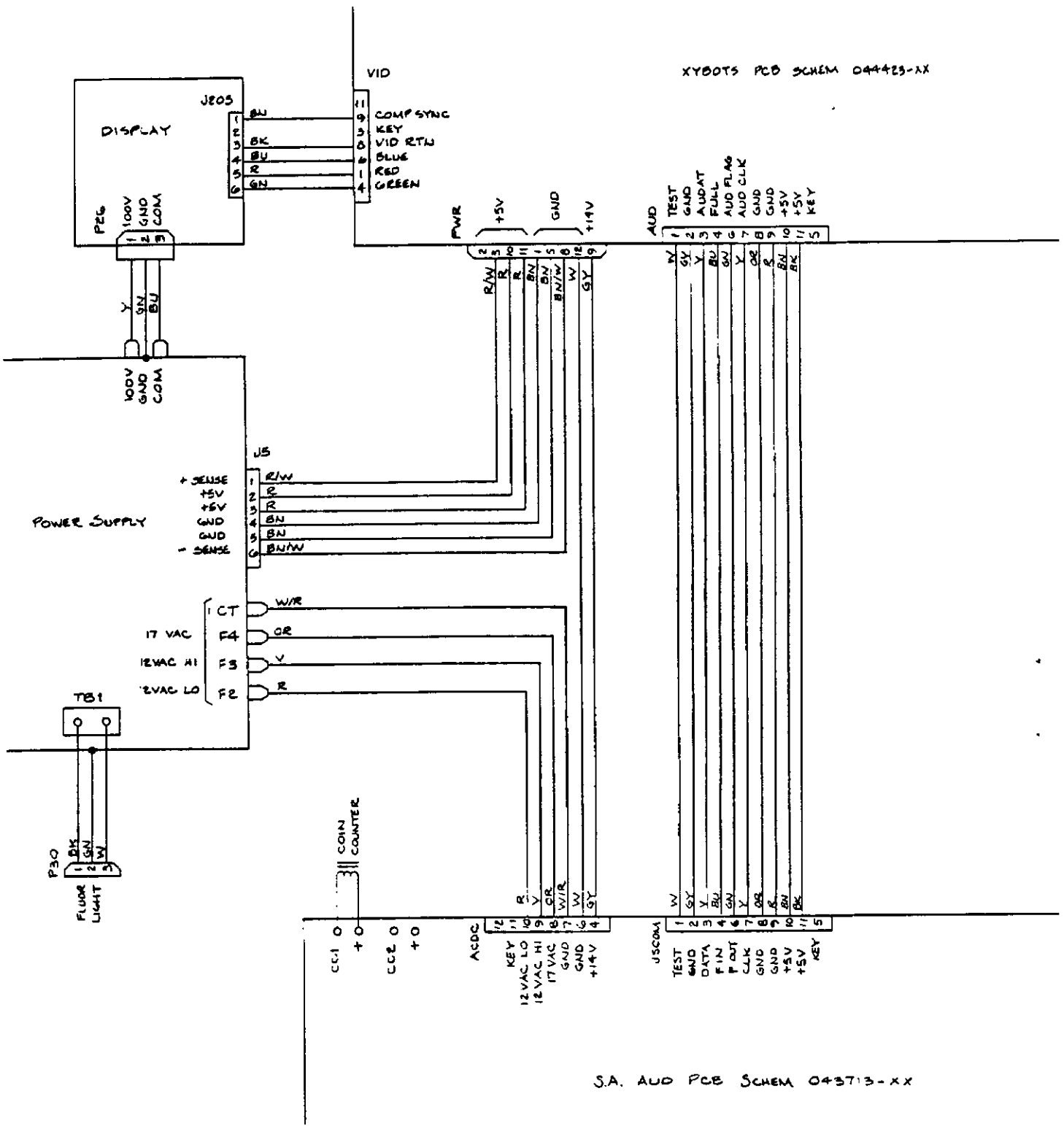


**Xybots™ Game PCB Assembly
Schematic Diagram**

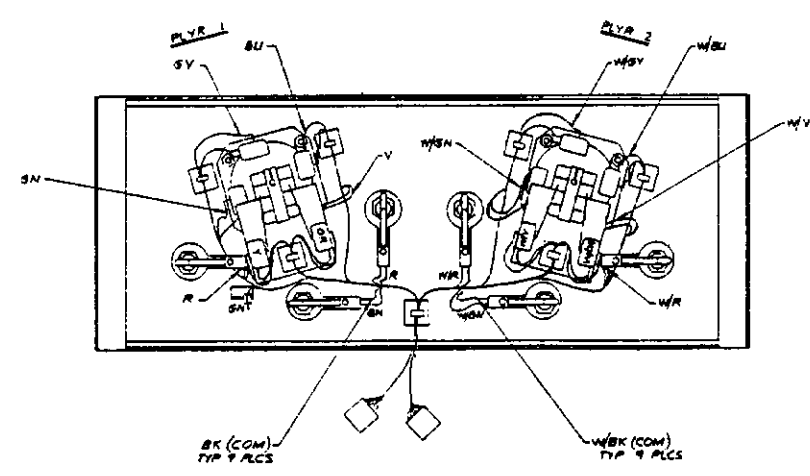
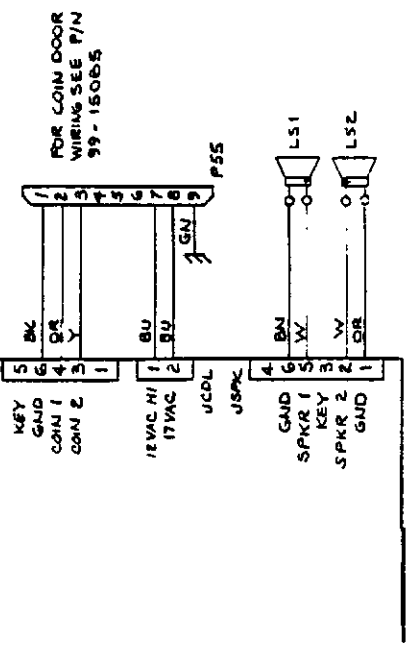
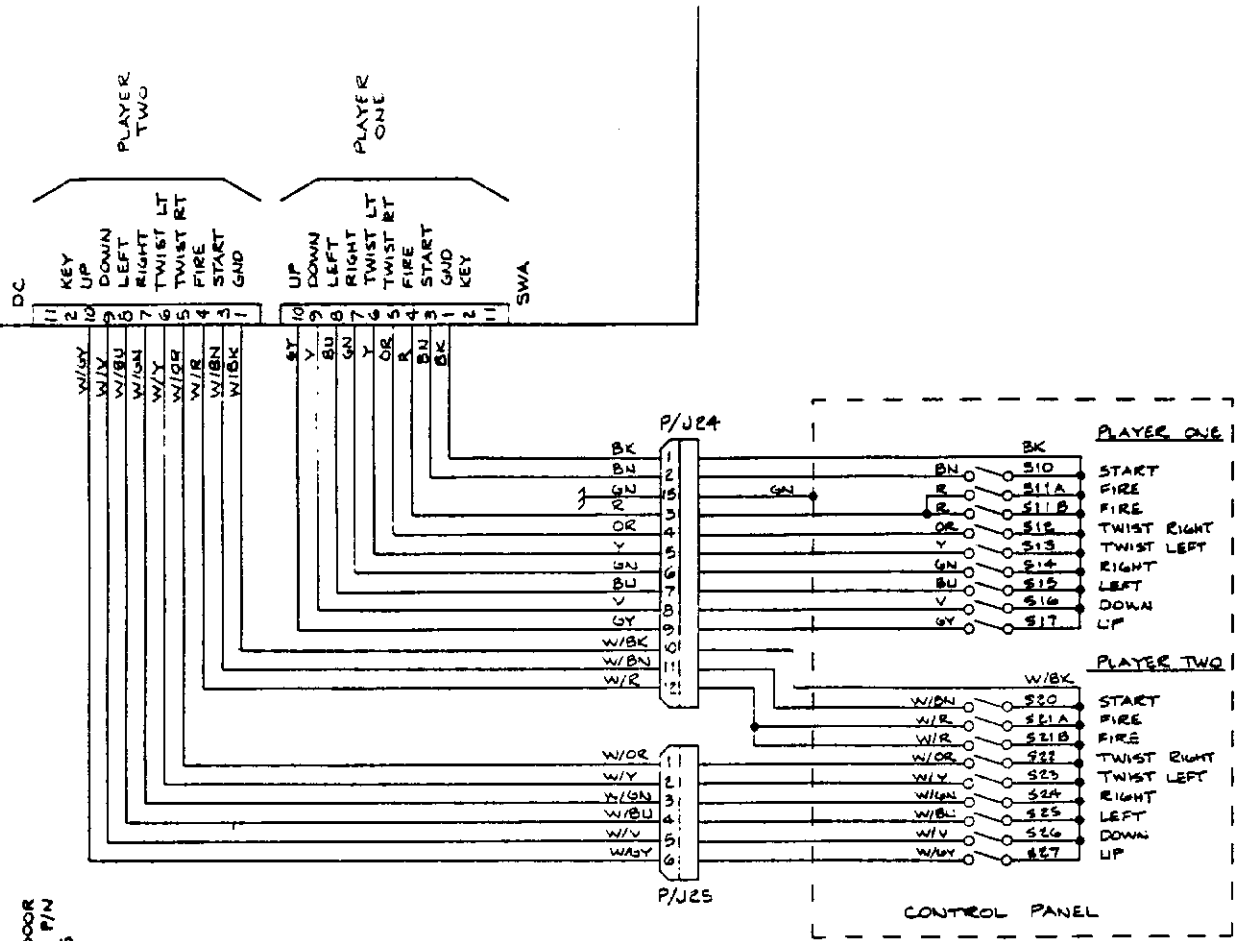
© 1987 Atari Games Corporation

SP-313 Sheet 9
1st printing

XYBOOTS PCB SCHEM 044423-XX



S.A. AUD PCB SCHEM 043713-XX



NOTICE TO ALL PERSONS RECEIVING THIS DRAWING
 CONFIDENTIAL. Reproduction forbidden without the specific written permission of Atari Games Corporation, Milpitas, CA. This drawing is only conditionally issued, and neither receipt nor possession thereof confers or transfers any right in, or license to use, the subject matter of the drawing or any design or technical information shown thereon, nor any right to reproduce this drawing or any part thereof. Except for manufacture by vendors of Atari Games Corporation, and for manufacture under the corporation's written license, no right is granted to reproduce this drawing or the subject matter thereof, unless by written agreement with or written permission from the corporation.

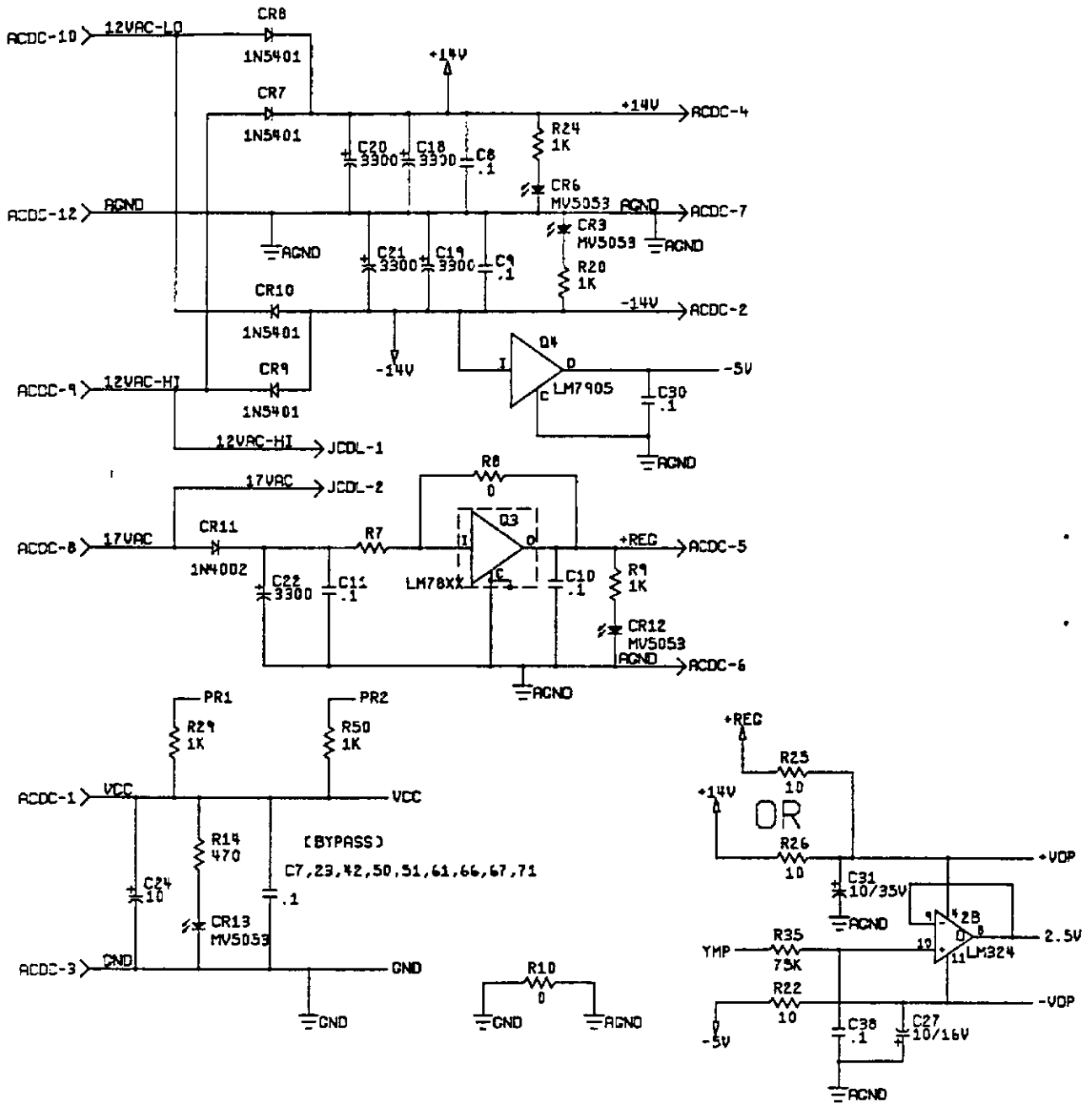
Xybots™ Main Wiring Diagram and Detailed Control Panel Wiring Diagram

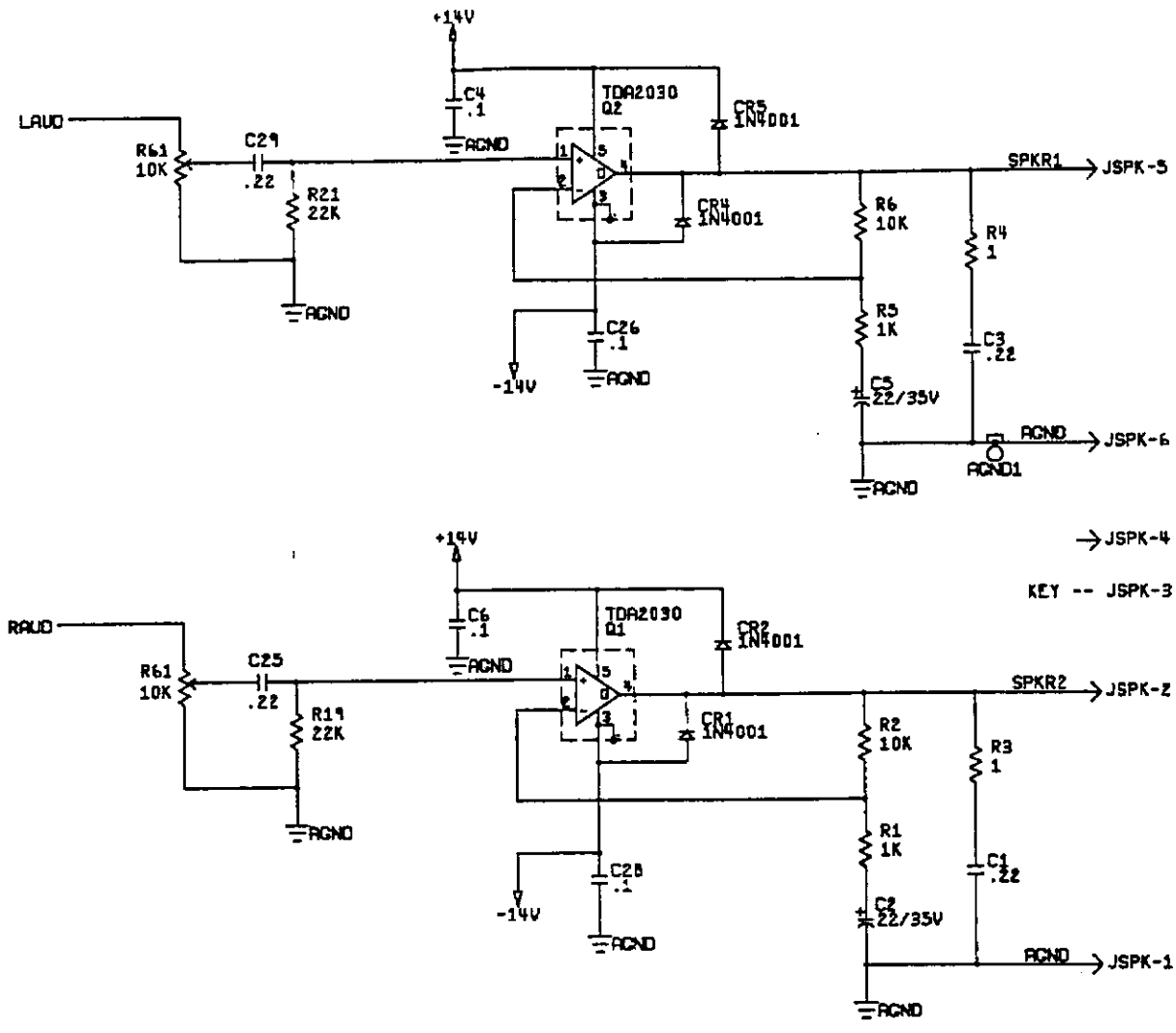
ATARI GAMES

SP-313 Sheet 10
1st printing

© 1987 Atari Games Corporation

ACDC-11 -- KEY





→ JSPK-4
KEY -- JSPK-3

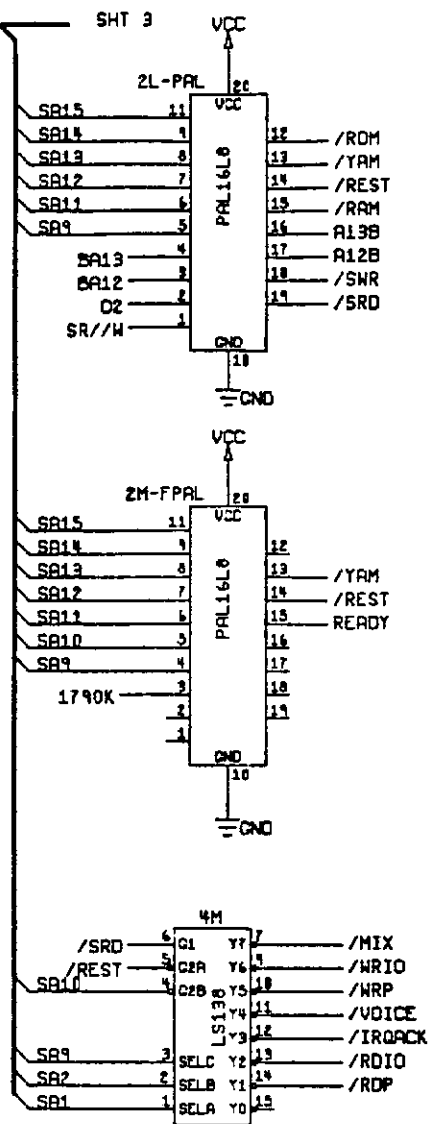
NOTICE TO ALL PERSONS RECEIVING THIS DRAWING
 CONFIDENTIAL. Reproduction forbidden without the specific written permission of Atari Games Corporation, Milpitas, CA. This drawing is only conditionally issued, and neither receipt nor possession thereof confers or transfers any right in, or license to use, the subject matter of the drawing or any design or technical information shown thereon, nor any right to reproduce this drawing or any part thereof, except for manufacture by vendors of Atari Games Corporation, and for manufacture under the corporation's written license, no right is granted to reproduce this drawing or the subject matter thereof, unless by written agreement with or written permission from the corporation.



Stand-Alone Audio PCB Assembly Schematic Diagram (Sheet 1 of 4)

© 1987 Atari Games Corporation

SP-313 Sheet 11
1st printing



**NOTICE TO ALL PERSONS
RECEIVING THIS DRAWING**

CONFIDENTIAL Reproduction forbidden without the specific written permission of Atari Games Corporation, Milpitas, CA. This drawing is only conditionally issued, and neither receipt nor possession thereof confers or transfers any right in, or license to use, the subject matter of the drawing or any design or technical information shown thereon, nor any right to reproduce this drawing or any part thereof. Except for manufacture by vendors of Atari Games Corporation, and for manufacture under the corporation's written license, no right is granted to reproduce this drawing or the subject matter thereof, unless by written agreement with or written permission from the corporation.

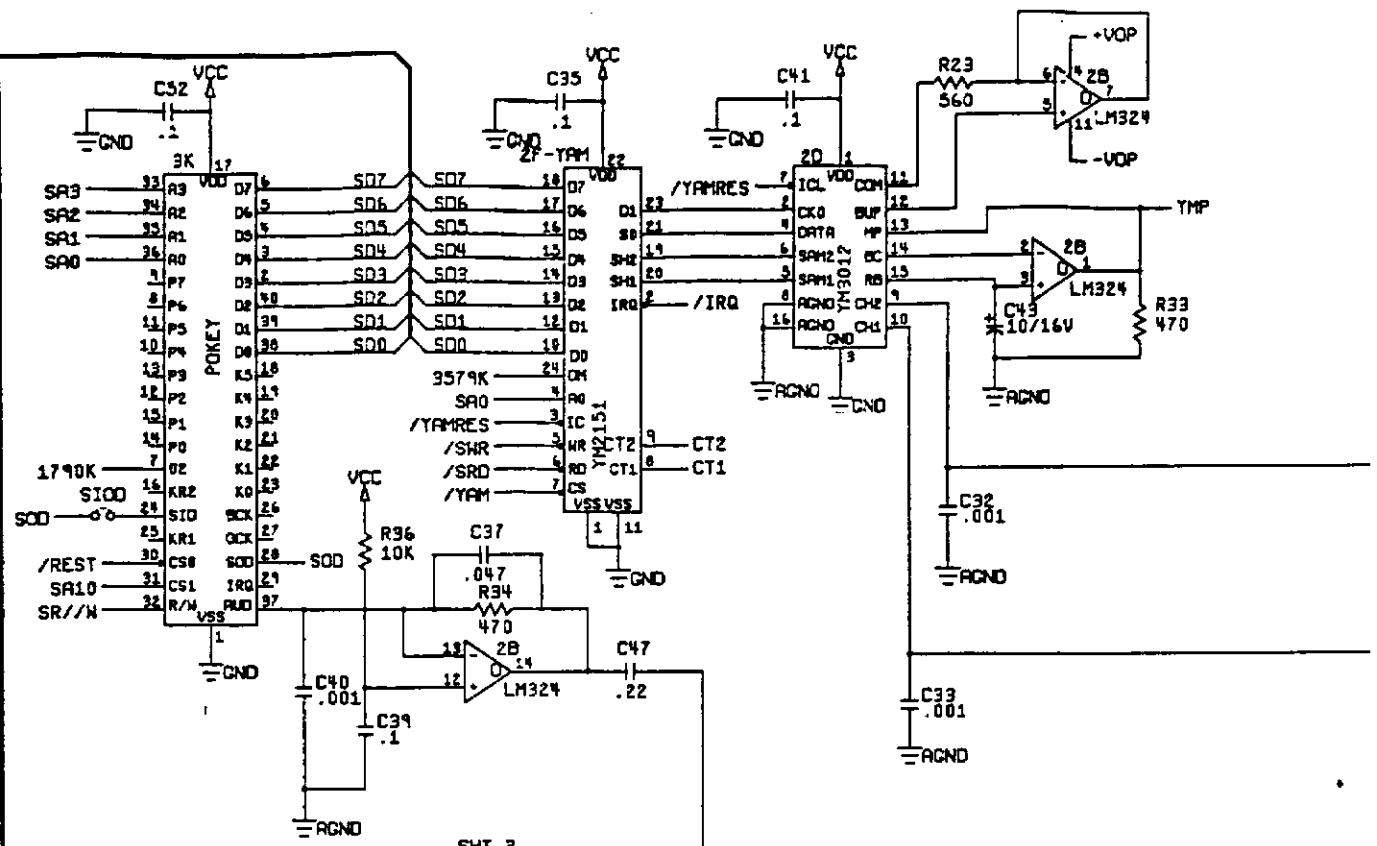


**Stand-Alone Audio PCB Assembly
Schematic Diagram (Sheet 2 of 4)**

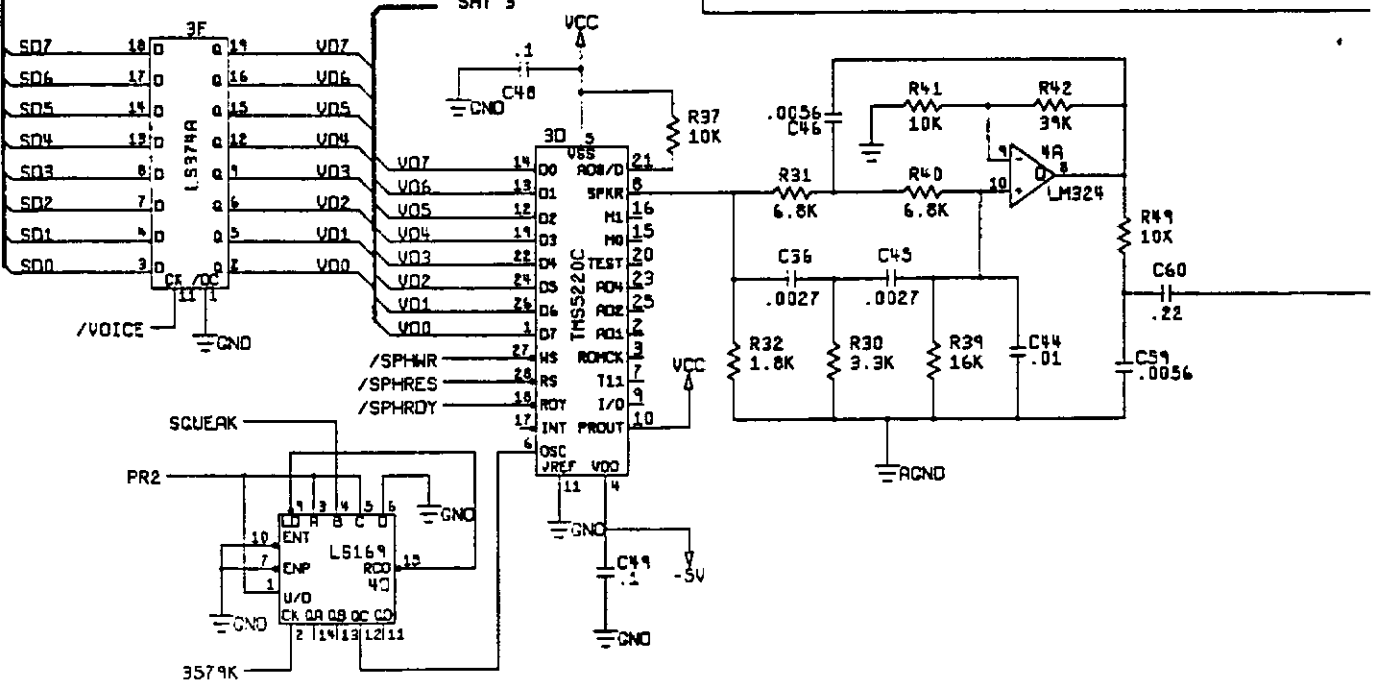
© 1987 Atari Games Corporation

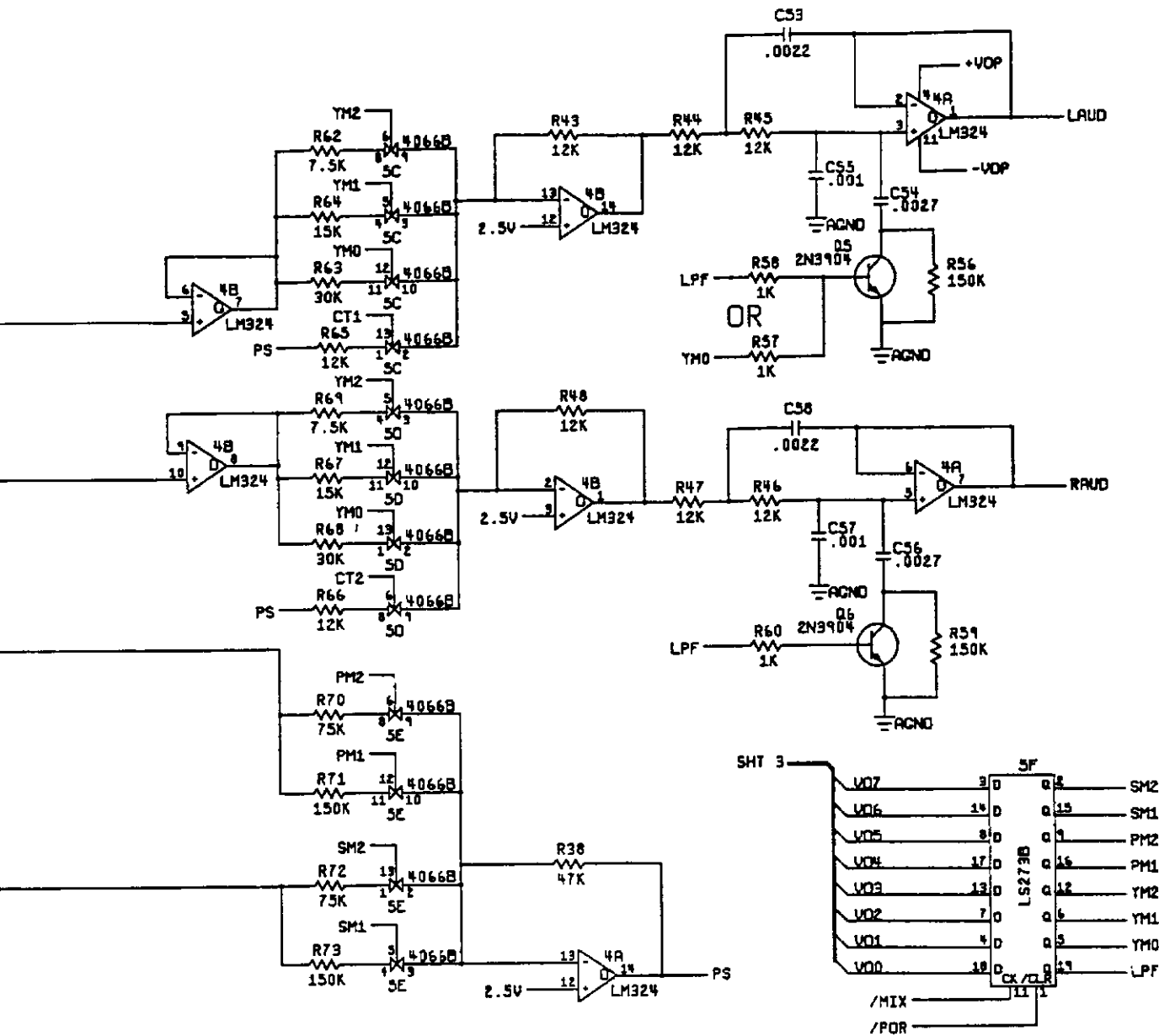
SP-313 Sheet 12
1st printing

SHT 2



SHT 3





NOTICE TO ALL PERSONS RECEIVING THIS DRAWING

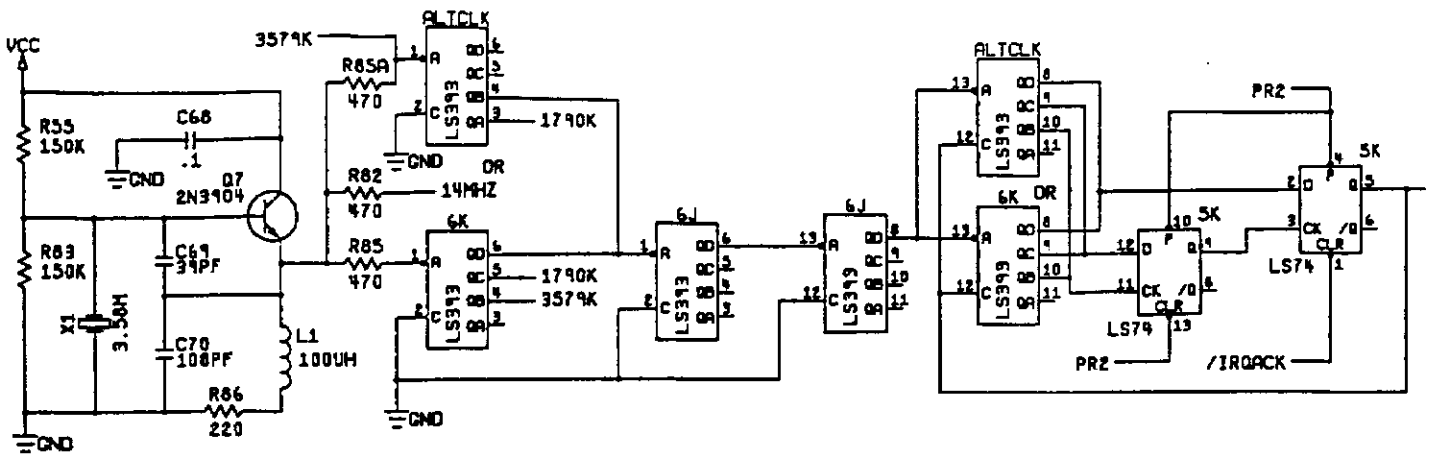
CONFIDENTIAL - Reproduction forbidden without the specific written permission of Atari Games Corporation, Milpitas, CA. This drawing is only conditionally issued, and neither receipt nor possession thereof confers or transfers any right in, or license to use, the subject matter of the drawing or any design or technical information shown thereon, nor any right to reproduce this drawing or any part thereof. Except for manufacture by vendors of Atari Games Corporation, and for manufacture under the corporation's written license, no right is granted to reproduce this drawing or the subject matter thereof, unless by written agreement with or written permission from the corporation.



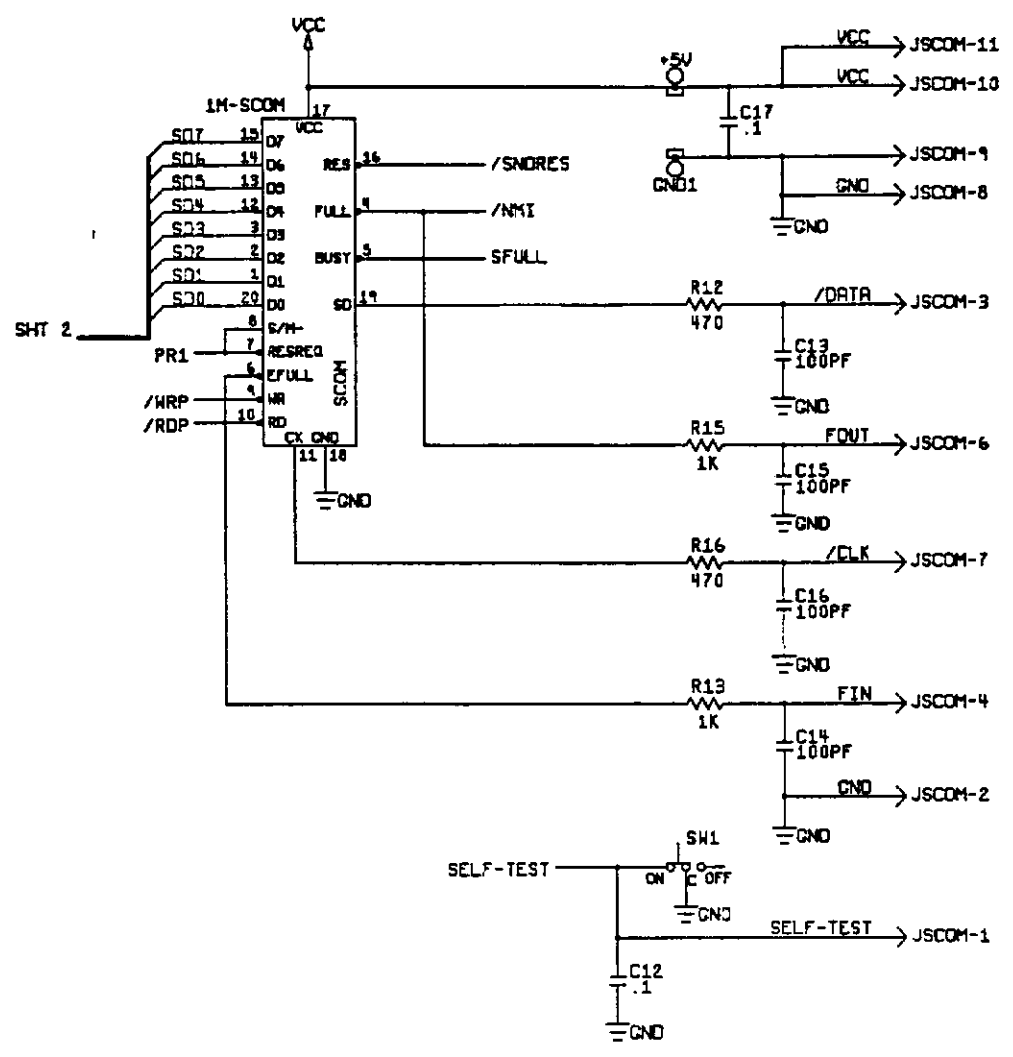
Stand-Alone Audio PCB Assembly Schematic Diagram (Sheet 3 of 4)

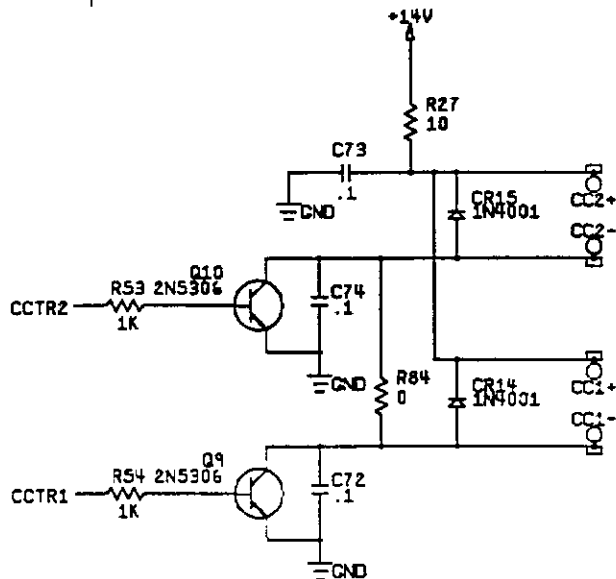
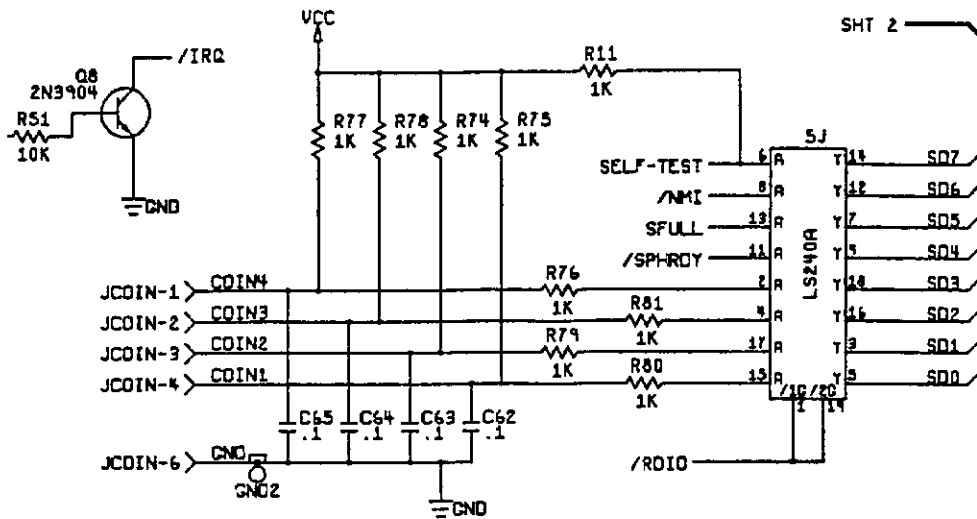
© 1987 Atari Games Corporation

SP-313 Sheet 13
1st printing



KEY -- JSCOM-5





**NOTICE TO ALL PERSONS
RECEIVING THIS DRAWING**

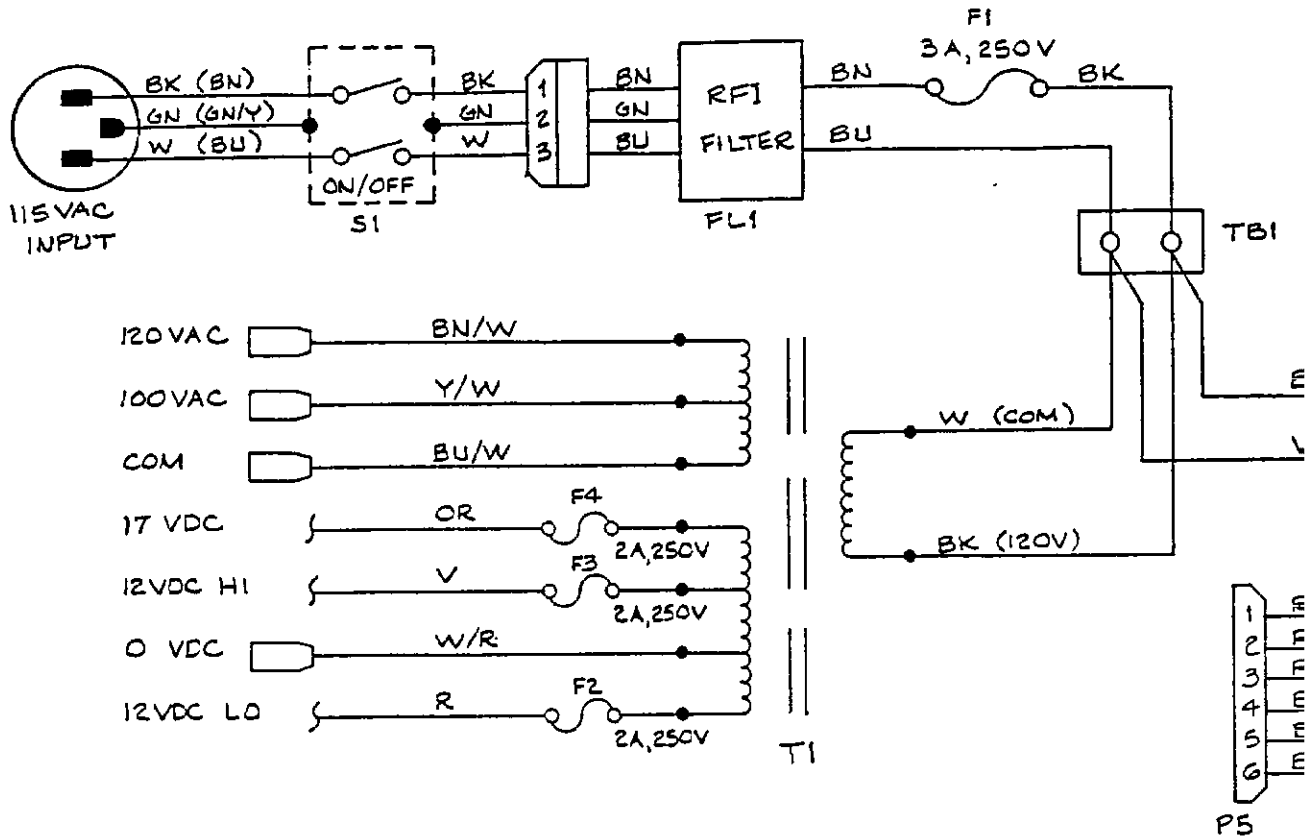
CONFIDENTIAL. Reproduction forbidden without the specific written permission of Atari Games Corporation, Milpitas, CA. This drawing is only conditionally issued, and neither receipt nor possession thereof confers or transfers any right in, or license to use, the subject matter of the drawing or any design or technical information shown thereon, nor any right to reproduce this drawing or any part thereof. Except for manufacture by vendors of Atari Games Corporation, and for manufacture under the corporation's written license, no right is granted to reproduce this drawing or the subject matter thereof, unless by written agreement with or written permission from the corporation.



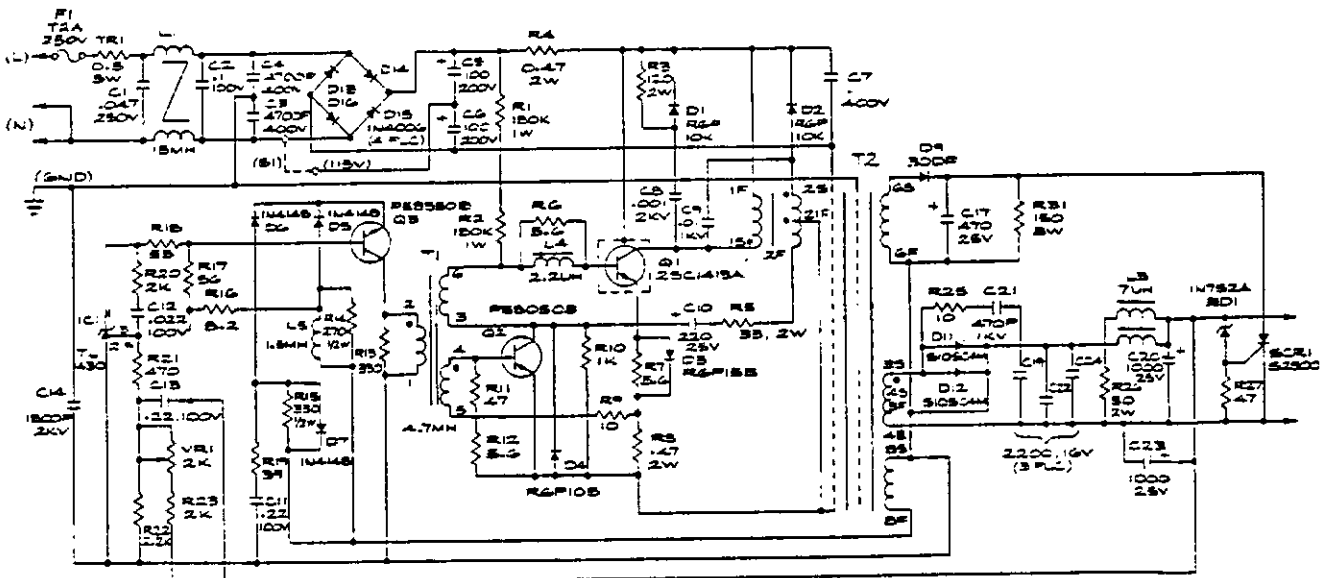
**Stand-Alone Audio PCB Assembly
Schematic Diagram (Sheet 4 of 4)**

© 1987 Atari Games Corporation.

SP-313 Sheet 14
1st printing

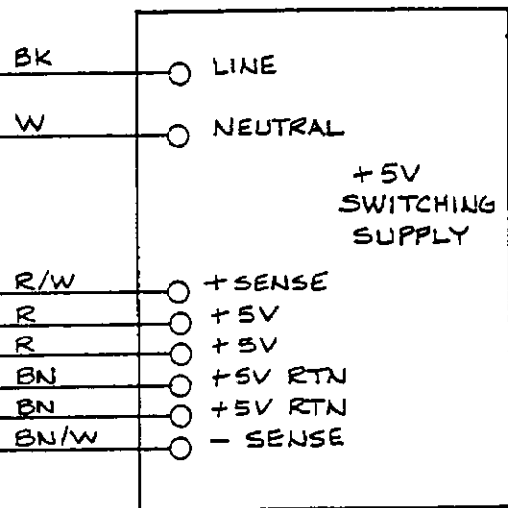


Switching/Linear (SL) Power Supply

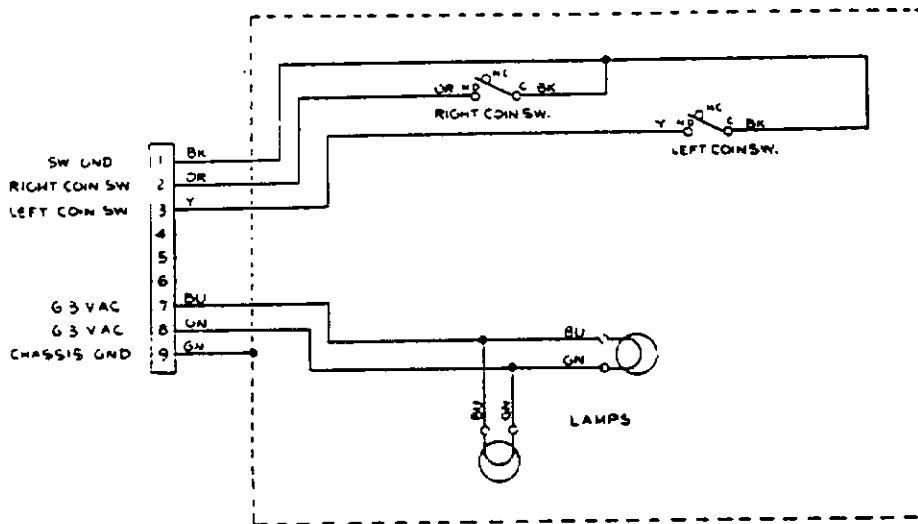


ATARI PART NO. 149008-008 (120V)
149008-103 (240V)

Hitron 5V 10A Switching Power Supply



Coin Door Wiring Diagram



NOTICE TO ALL PERSONS RECEIVING THIS DRAWING

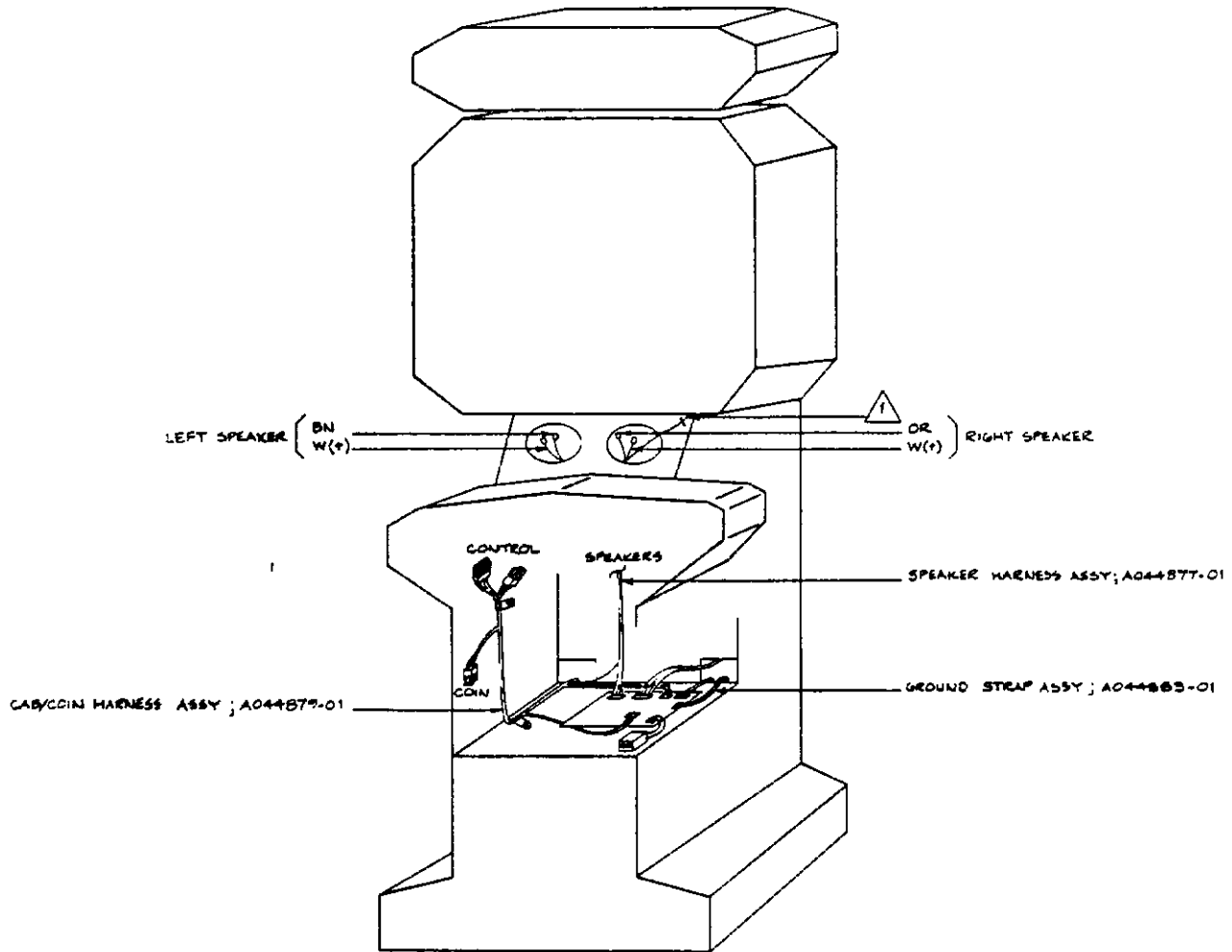
CONFIDENTIAL: Reproduction forbidden without the specific written permission of Atari Games Corporation, Milpitas, CA. This drawing is only conditionally issued, and neither receipt nor possession thereof confers or transfers any right in, or license to use, the subject matter of the drawing or any design or technical information shown thereon, nor any right to reproduce this drawing or any part thereof. Except for manufacture by vendors of Atari Games Corporation, and for manufacture under the corporation's written license, no right is granted to reproduce this drawing or the subject matter thereof, unless by written agreement with or written permission from the corporation.



Wiring Diagrams for Switching/Linear (SL) Power Supply, Hitron 5V 10A Switching Power Supply, and Coin Door

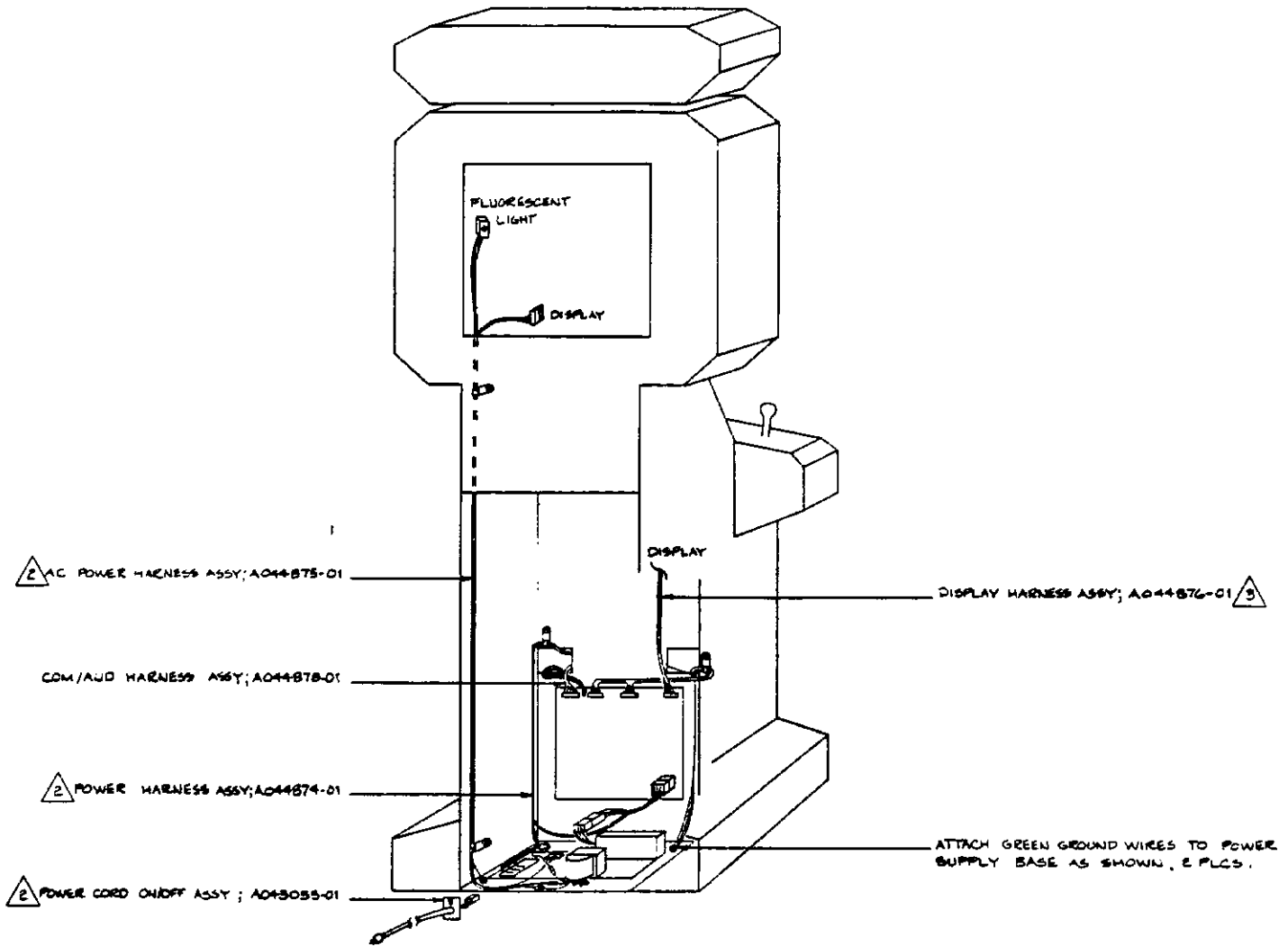
© 1987 Atari Games Corporation

SP-313 Sheet 15
1st printing



NOTES

- 1 STAPLE GREEN GROUND WIRE TO SPEAKER PANEL WHERE SHOWN.
- 2 CONNECT HARNESS ASSY. TO CORRESPONDING COLORS ON POWER SUPPLY.
- 3 ATTACH DISPLAY HARNESS ASSY TO DISPLAY BEFORE INSTALLING IN CABINET.



**NOTICE TO ALL PERSONS
RECEIVING THIS DRAWING**

CONFIDENTIAL. Reproduction forbidden without the specific written permission of Atari Games Corporation, Milpitas, CA. This drawing is only conditionally issued, and neither receipt nor possession thereof confers or transfers any right in, or license to use, the subject matter of the drawing or any design or technical information shown thereon, nor any right to reproduce this drawing or any part thereof. Except for manufacture by vendors of Atari Games Corporation, and for manufacture under the corporation's written license, no right is granted to reproduce this drawing or the subject matter thereof, unless by written agreement with or written permission from the corporation.



Xybots Harness Installation

© 1987 Atari Games Corporation

SP-313 Sheet 16
1st printing