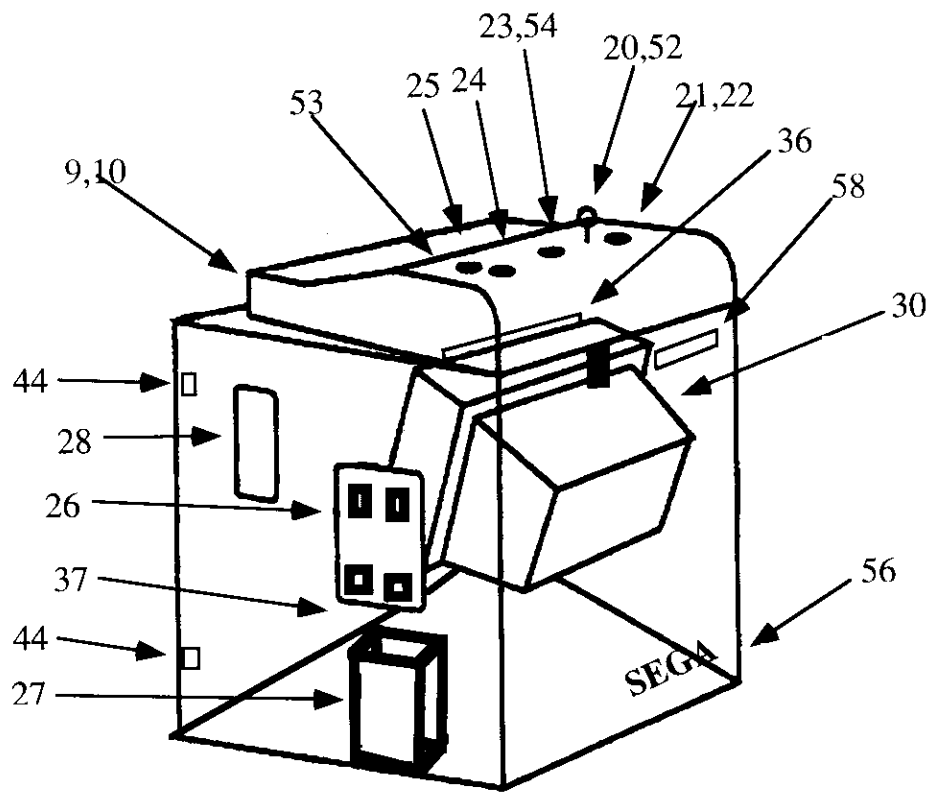
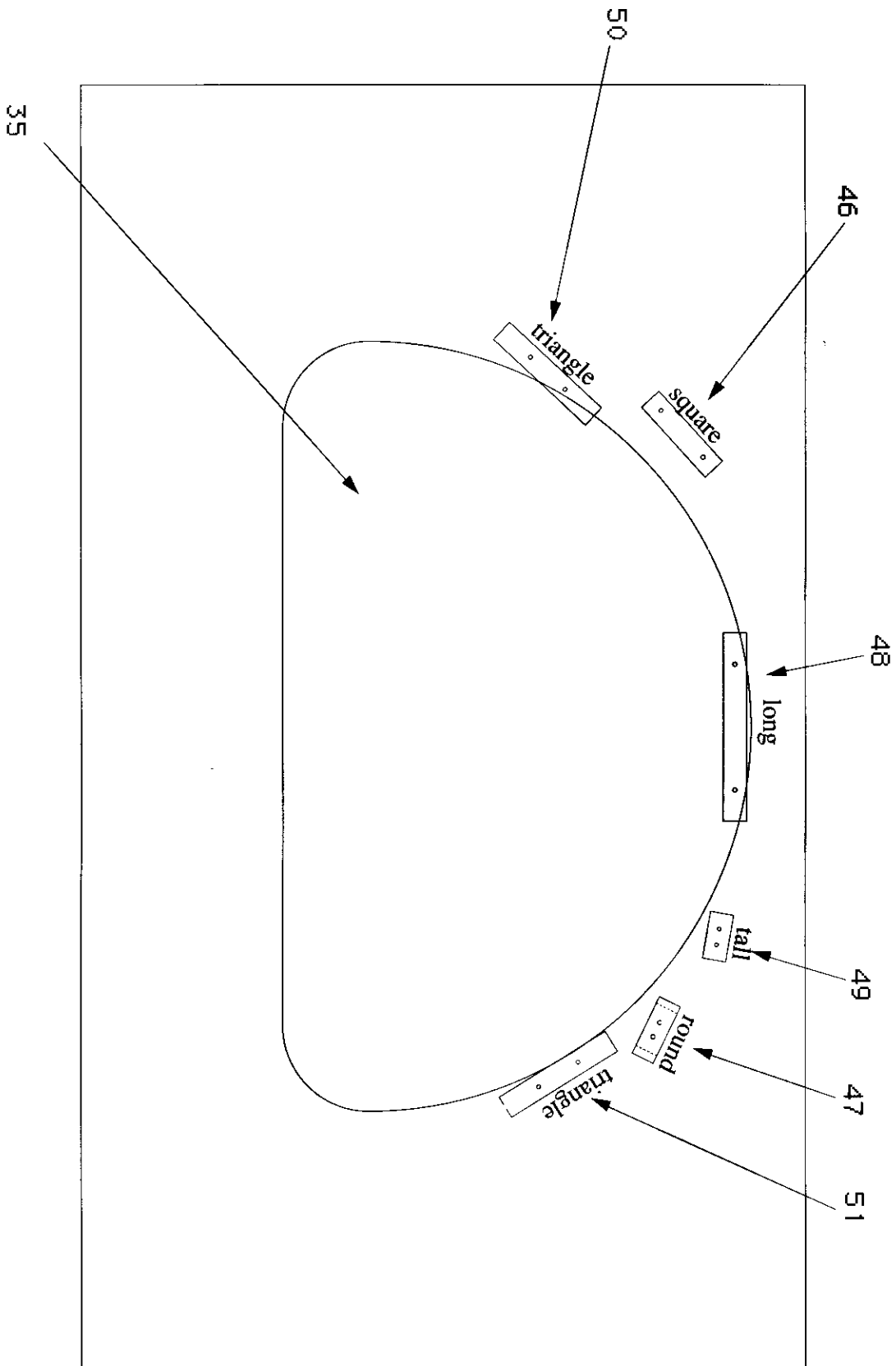


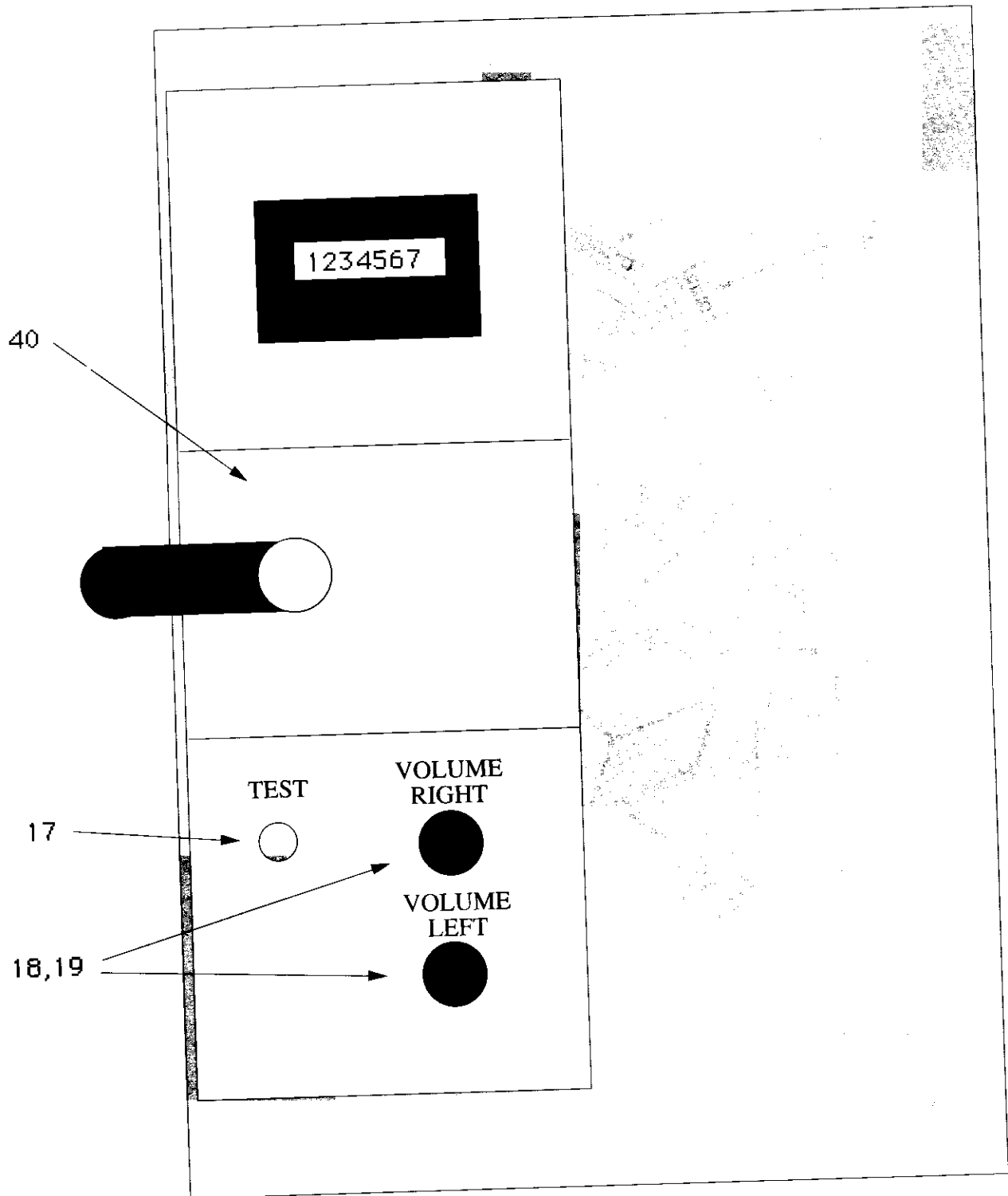
Hologram Rear Cabinet



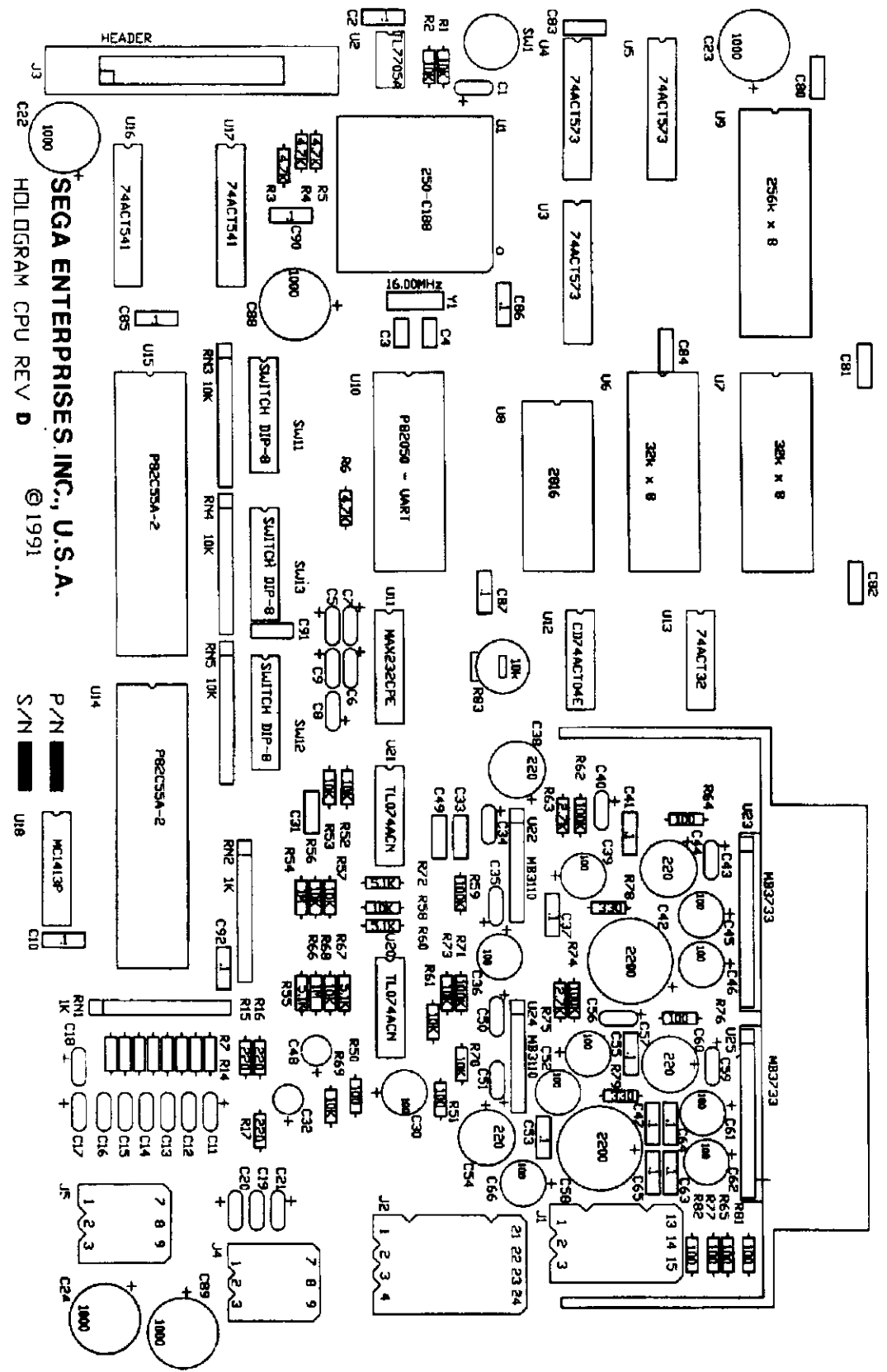
Hologram Front Cabinet

Class Stage  
27





Service Switch Assembly

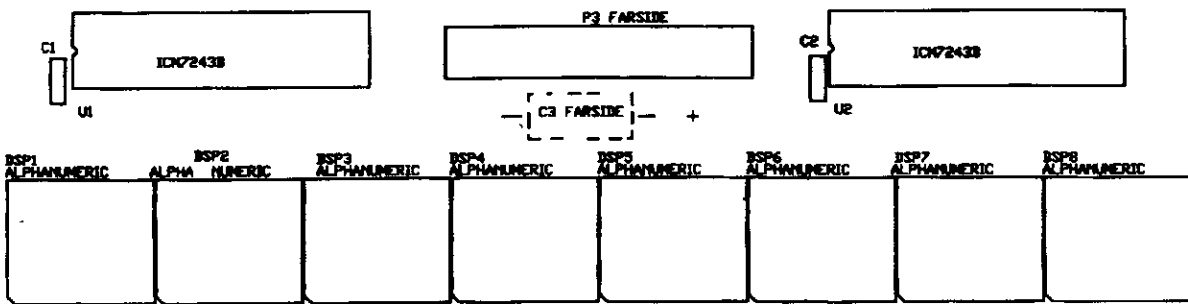


SEGA ENTERPRISES, INC., U.S.A.  
 HOLDGRAM CPU REV D @ 1991

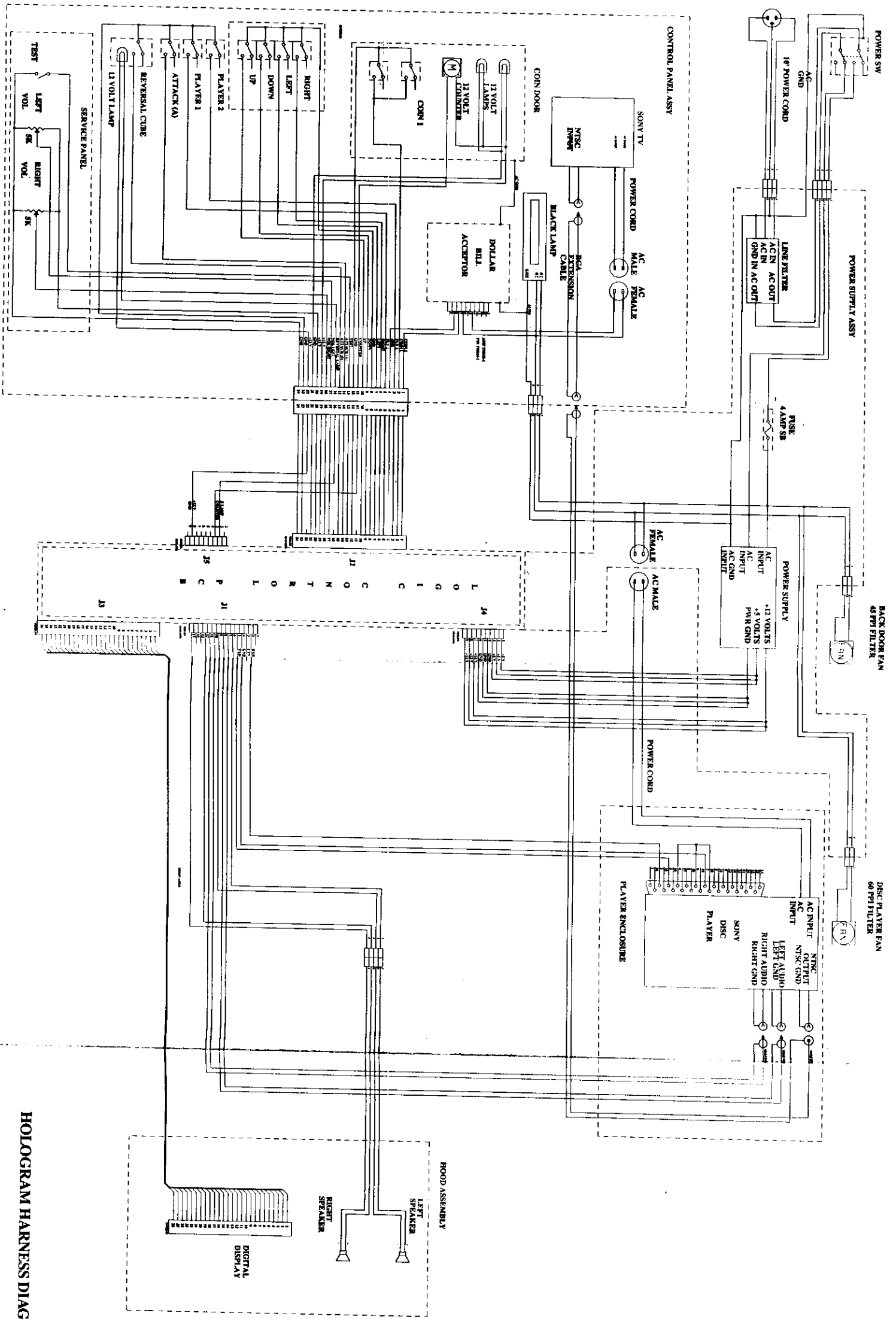
P/N [ ] S/N [ ] U18 [ ] C10 [ ]

Layout of PCB

SEGA ENTERPRISES INC., U.S.A. DISPLAY BOARD © 1991 REV B



Layout of Display PCB



HOLOGRAM HARNESS DIAGRAM