



FOUR PLAYER
UPRIGHT

THE SIMPSONS™


Service #

708-215-5100

Jerry Korbecki ext. 122

INSTRUCTION MANUAL

THE SIMPSONS™ & © 1991 Twentieth Century Fox Film Corporation. All Rights Reserved.
Licensed to Konami Industry Co., Ltd.

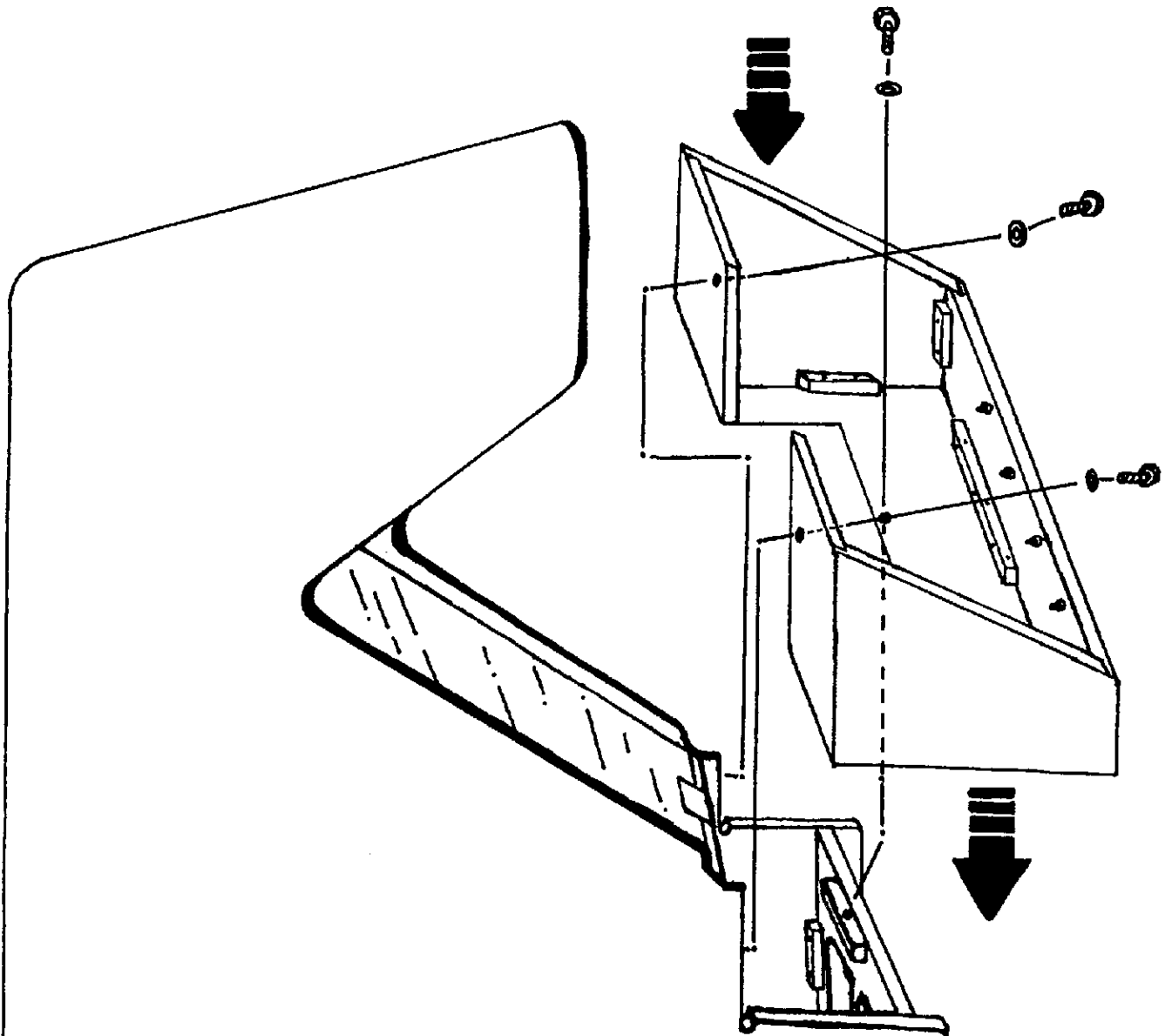
 **KONAMI**® is a trademark of Konami Industry Co., Ltd.

Part No. 072400

SIMPSONS™ PARTS LIST

Part #	Description
072010	AC Harness
072011	DC Harness
072003	Simpsons PCB
072100	Control Panel Overlay
072101	Instruction Decal
072200	Marquee
072300	Upper Right Side Decal
072301	Upper Left Side Decal
072302	Middle Right Side Decal
072303	Middle Left Side Decal
072304	Lower Right Side Decal
072305	Lower Left Side Decal
072400	Manual
30110	Red Button
30112	Blue Button
30113	Orange Button
30119	Green Button
30202	Switch Holders
30250	Palnuts
30304	Red Joy Stick
30305	Blue Joy Stick
30306	Green Joy Stick
30322	Orange Joy Stick
35404	Power Supply
40356	Tempered Glass
40524	Monitor

CONTROL PANEL ASSEMBLY



Three Screws and Lock Washers
are provided Taped Inside Control
Panel. Please Assemble as shown.



900 Deerfield Parkway, Buffalo Grove, IL 60089
Phone (708) 215-5100 FAX 708-215-5122

THE SIMPSONS™ MANUAL AMENDMENT

During power-up, if self-test indicates **12C BAD**:

- 1) Turn power off.
- 2) Press test switch located on coin vault 1.
- 3) Turn power back on with test switch depressed.

SIMPSON™: WIRING HARNESS

WIRE COLOR KEY:		Solder Side ←		→ Parts Side		
BLACK	GND	A	1	GND	BLACK	
BLACK	GND	B	2	GND	BLACK	
RED	+5V DC	C	3	+5V DC	RED	
RED	+5V DC	D	4	+5V DC	RED	
	NOT USED	E	5	NOT USED		
ORANGE	+12V DC	F	6	+12V DC	ORANGE	
	*KEY	H	7	*KEY		
	(EMPTY)	J	8	COIN COUNTER	GREEN/VIOLET	
	(EMPTY)	K	9	(EMPTY)		
	(EMPTY)	L	10	(EMPTY)		
	(EMPTY)	M	11	(EMPTY)		
WHITE/GREEN	VIDEO GREEN	N	12	VIDEO RED	RED/WHITE	
WHITE	VIDEO SYNC	P	13	VIDEO BLUE	BLUE/WHITE	
	(EMPTY)	R	14	VIDEO GROUND	BLACK	
	(EMPTY)	S	15	TEST	YELLOW	
VIOLET/WHITE	COIN 2	T	16	COIN 1	BLUE/BROWN	
	NOT USED	U	17	(EMPTY)		
BLUE/YELLOW	2P UP	V	18	1P UP	ORANGE/WHITE	
VIOLET/YELLOW	2P DOWN	W	19	1P DOWN	BLACK/WHITE	
ORANGE/GREEN	2P LEFT	X	20	1P LEFT	RED/GRAY	
ORANGE/YELLOW	2P RIGHT	Y	21	1P RIGHT	GRAY/WHITE	
BLACK/YELLOW	2P ATTACK	Z	22	1P ATTACK	RED/WHITE	
ORANGE/GRAY	2P JUMP	a	23	1P JUMP	GREEN/BROWN	
	NOT USED	b	24	NOT USED		
	NOT USED	c	25	NOT USED		
	NOT USED	d	26	NOT USED		
BLACK	GND	e	27	GND	BLACK	
BLACK	GND	f	28	GND	BLACK	

(BASE COLOR/LINE COLOR)

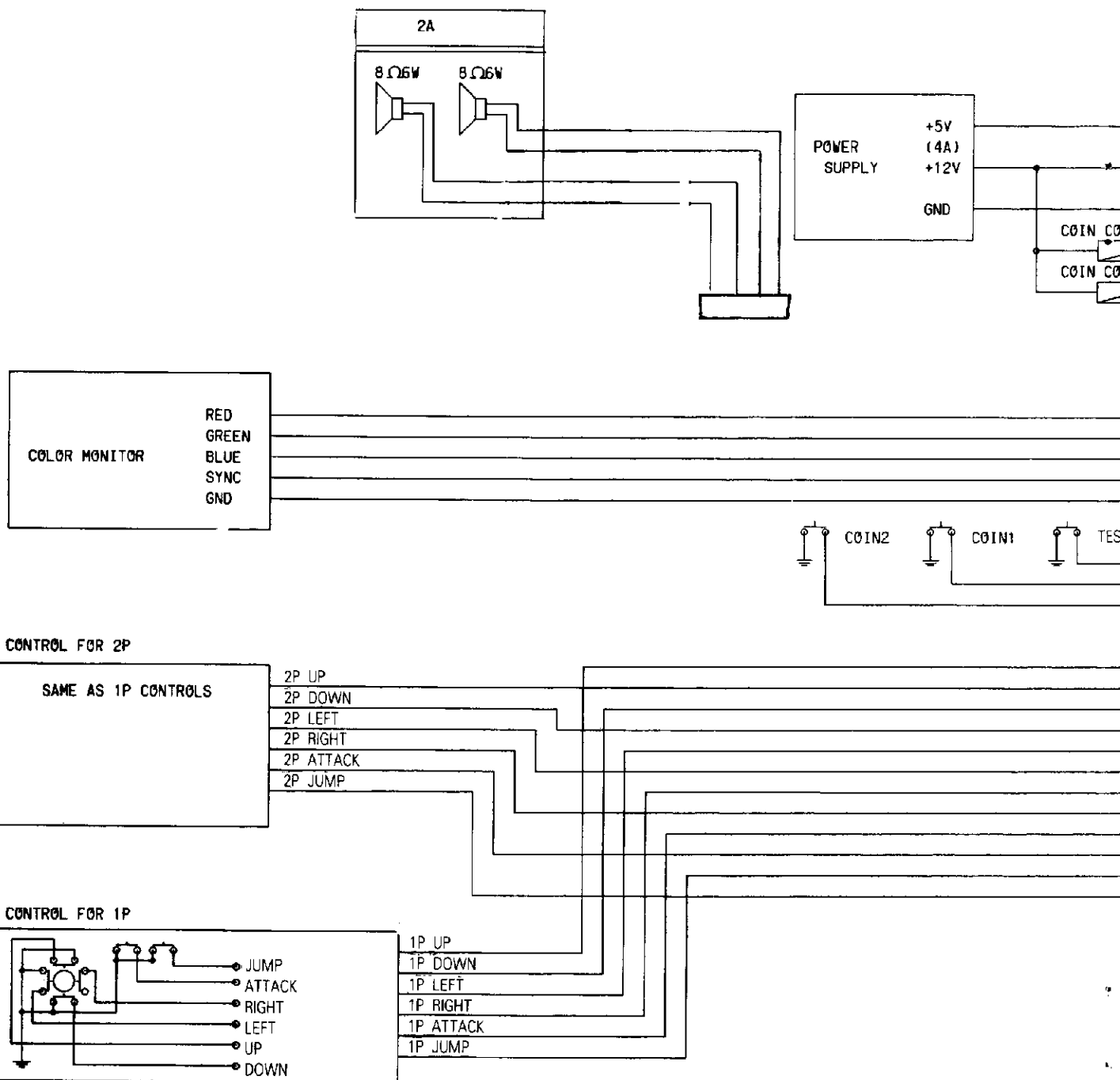
SIMPSON™: SUB HARNESS FOR 3 PLAYERS & 4 PLAYERS

**CN3
3P
CONTROLS**

1	Coin 3	White/Violet
2	Empty	
3	3P Left	White/Red
4	3P Right	White/Yellow
5	3P Up	White/Black
6	3P Down	White/Blue
7	3P Attack	White/Brown
8	3P Jump	White/Orange
9	Empty	
10	Empty	
11	Empty	
12	Empty	
13	Empty	
14	Empty	
15	Ground	Black

**CN4
4P
CONTROLS**

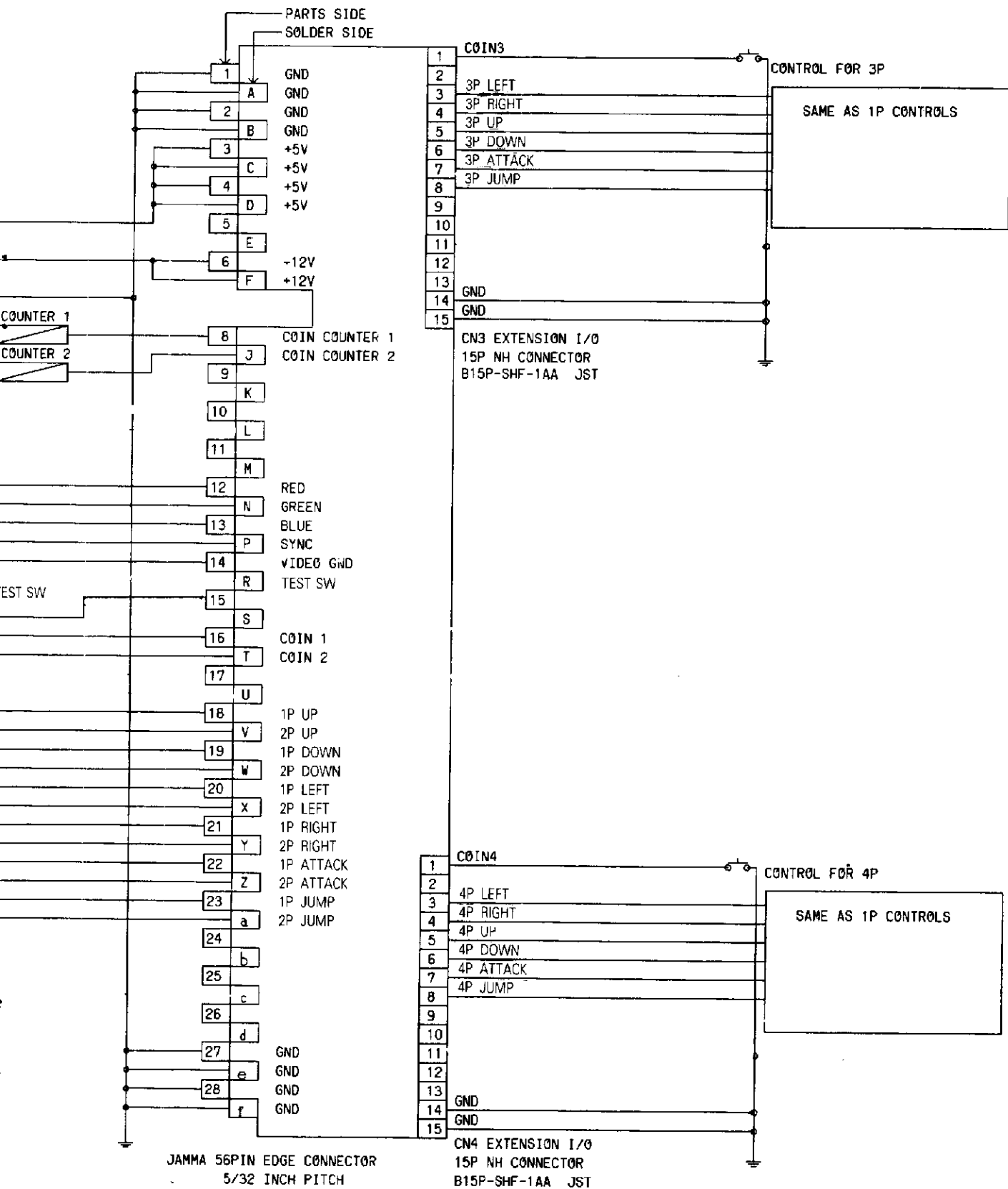
1	Coin 4	Blue
2	Empty	
3	4P Left	Yellow/Black
4	4P Right	Brown/Black
5	4P Up	Green/Yellow
6	4P Down	Yellow/Red
7	4P Attack	Yellow/White
8	4P Jump	Yellow/Blue
9	Empty	
10	Empty	
11	Empty	
12	Empty	
13	Empty	
14	Empty	
15	Ground	Black



- NOTES -

- 1 1P:NO.1 PLAYER 2P:NO.2 PLAYER
3P:NO.3 PLAYER 4P:NO.4 PLAYER
- 2 SURGE KILLER DIODES FOR COIN COUNTER INSTALLED ON THE P.C.B.

DIAGRAM



SIMPSONS™ GAME SET UP

The Simpsons™ PCB doesn't utilize dip switches. Game set up is held in memory. To change factory settings press the test switch button (located on PCB and/or coin door 1).

— — — MANUAL TEST MENU — — —

- ➔ 1 ROM Check Test (self test of program)
- 2 Screen Test (cross hatch)
- 3 Color Test (monitor set up)
- 4 I/O Test (test all joysticks & buttons)
- 5 Music Test
- 6 Sound Test
- 7 Start Button (set/without Start Button)
- 8 Coin Game Options (see below)

Move arrow with joystick one to desired test. Initiate test by pressing attack button of player one.

8. COIN GAME OPTIONS

Following screen will appear. Use JOYSTICK to select the option to modify and press ATTACK button. After modification is completed in the sub-screen, select EXIT to save and return to this screen.

8. COIN, GAME OPTIONS
8-1. COIN SETTING
STARTING 2 COIN 1 CREDIT
CONTINUE 1 COIN 1 CREDIT
8-2. NUMBER OF PLAYERS
2 PLAYERS
8-3. DIFFICULTY
NORMAL
8-4. SOUND IN ATTRACT MODE
ON
8-5. VIDEO SCREEN FLIP
NORMAL
8-6. SOUND OUTPUT
STEREO
8-7. FACTORY SETTINGS
EXIT

8-1. COIN SETTING

Selecting this item, the screen shows following options.

PREMIUM START SETTING	
<input type="radio"/>	OFF
	ON
	EXIT
COINS	CREDITS
1	1
1	2
1	3
1	4
1	5
1	6
2	1
2	3
2	5
3	1
3	2
3	4
4	1
4	3
4	5

① When "PREMIUM START OFF" is selected, the number of coins necessary for starting and for continuation will be the same. Select "EXIT" and return to the original screen. (In other words, if you want 50¢ start 25¢, continue premium start must be on.)

SIMPSONS™ GAME SET UP (Cont.)

② When "PREMIUM START ON" is selected, choose the number of extra coins for premium start, then decide the coin setting for continuation. The number of coins for starting will be the sum of both numbers.

PREMIUM START SETTING		
	<input type="radio"/> OFF	
	<input type="radio"/> ON	
	<input type="radio"/> EXIT	
NUMBER OF EXTRA COINS FOR PREMIUM START	COINS	CREDITS
<input type="radio"/> 1	1	1
<input type="radio"/> 2	1	2
<input type="radio"/> 3	1	3
<input type="radio"/> 4	1	4
<input type="radio"/> 5	1	5
	2	1
	2	3
	2	5
	3	1
	3	2
	3	4
	4	1
	4	3
	4	5

This is set for 50¢. Start 25¢ continue. *Note premium start must be on.

8-2. NUMBER OF PLAYERS

<input type="radio"/> . 1 PLAYER
<input type="radio"/> . 2 PLAYERS
<input type="radio"/> . 3 PLAYERS
<input type="radio"/> . 4 PLAYERS
<input type="radio"/> . 5 PLAYERS
<input type="radio"/> . 6 PLAYERS
<input type="radio"/> . 7 PLAYERS
<input type="radio"/> .EXIT

8-3. DIFFICULTY

<input type="radio"/> . EASY
<input type="radio"/> . NORMAL
<input type="radio"/> . DIFFICULT
<input type="radio"/> . VERY DIFFICULT
<input type="radio"/> .EXIT

8-4. SOUND IN ATTRACT MODE

<input type="radio"/> . OFF
<input type="radio"/> . ON
<input type="radio"/> .EXIT

8-5. VIDEO SCREEN FLIP

<input type="radio"/> . NORMAL
<input type="radio"/> . UPSIDE DOWN
<input type="radio"/> .EXIT

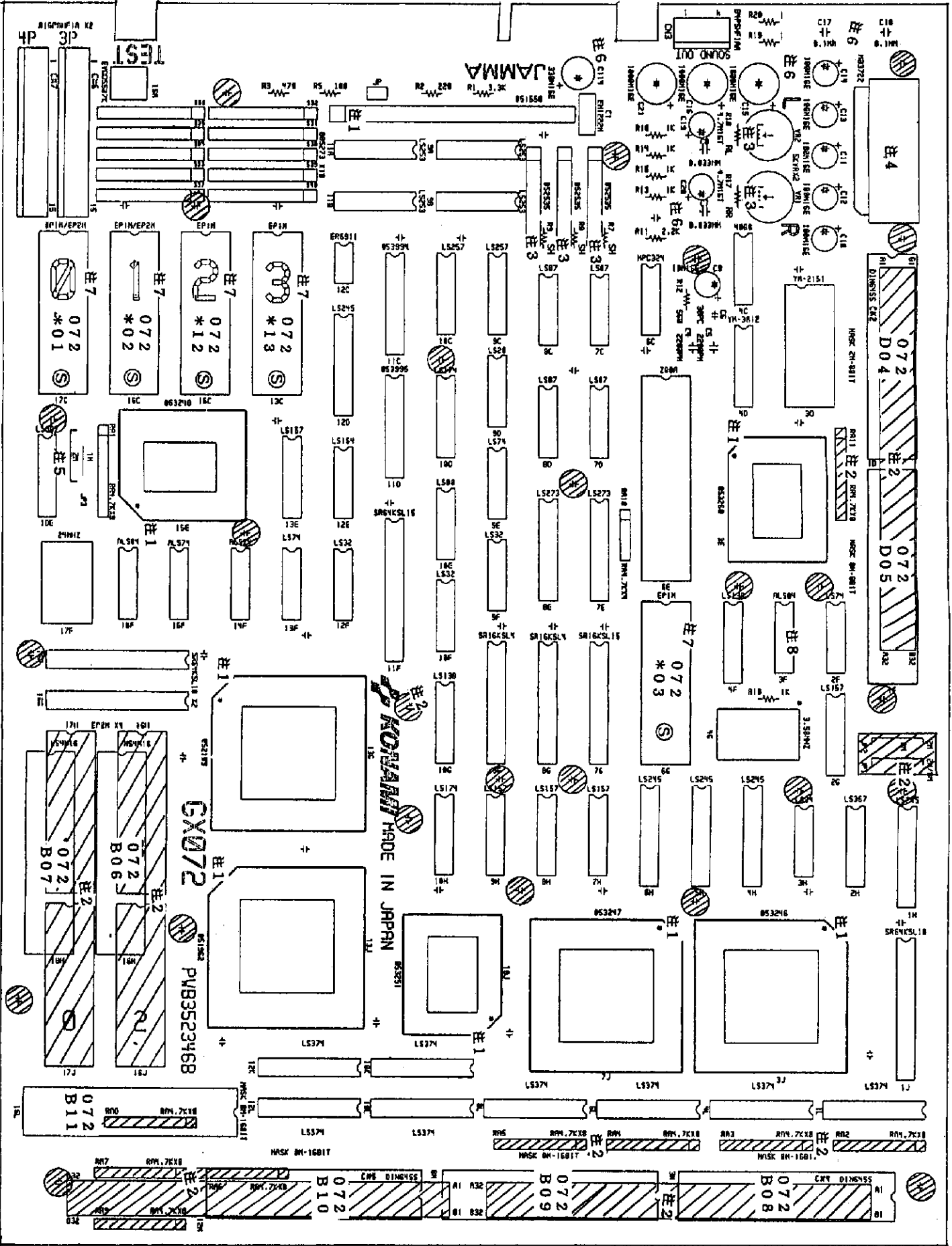
8-6. SOUND OUTPUT

<input type="radio"/> . MONAURAL
<input type="radio"/> . STEREO
<input type="radio"/> .EXIT

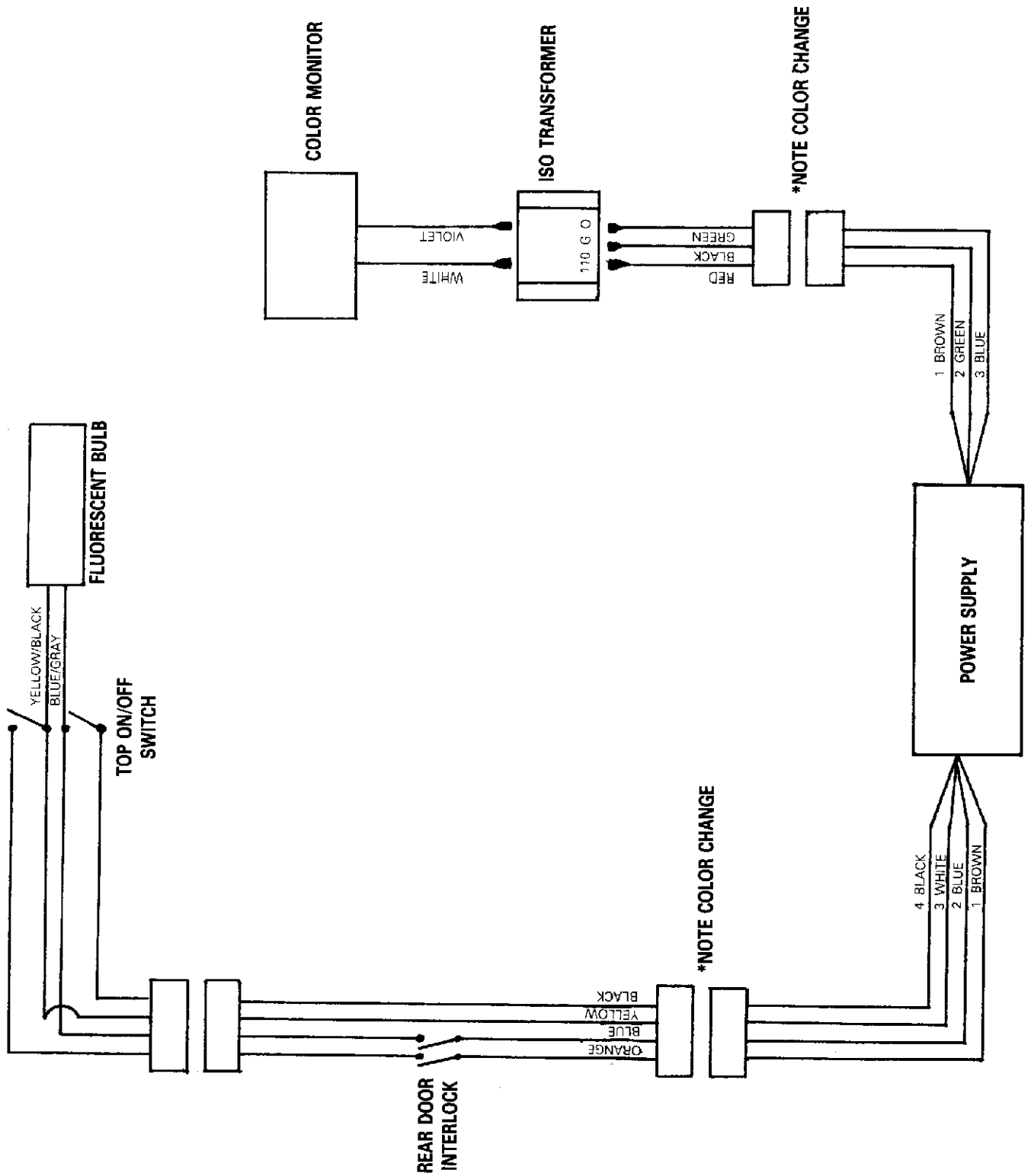
* shows recommended settings.

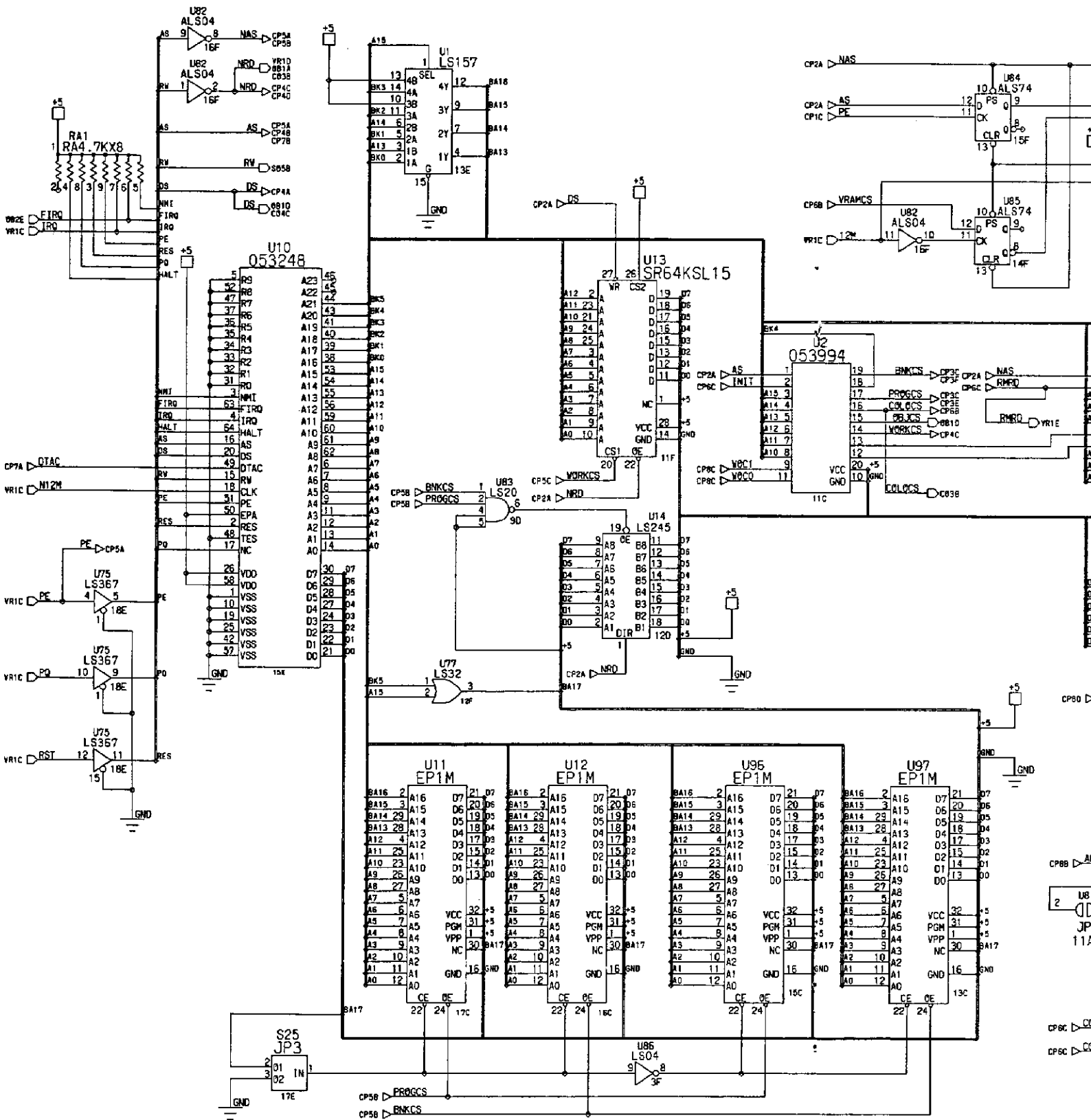
8-7. FACTORY SETTING

All the settings returns to default by selecting "FACTORY SETTING."

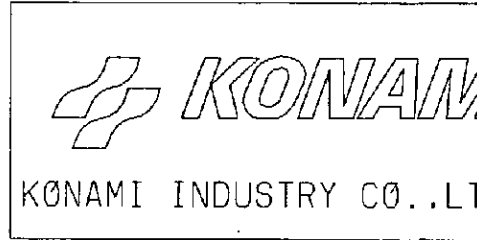


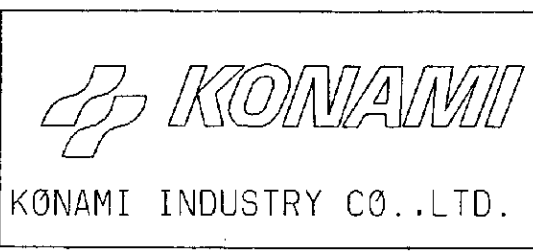
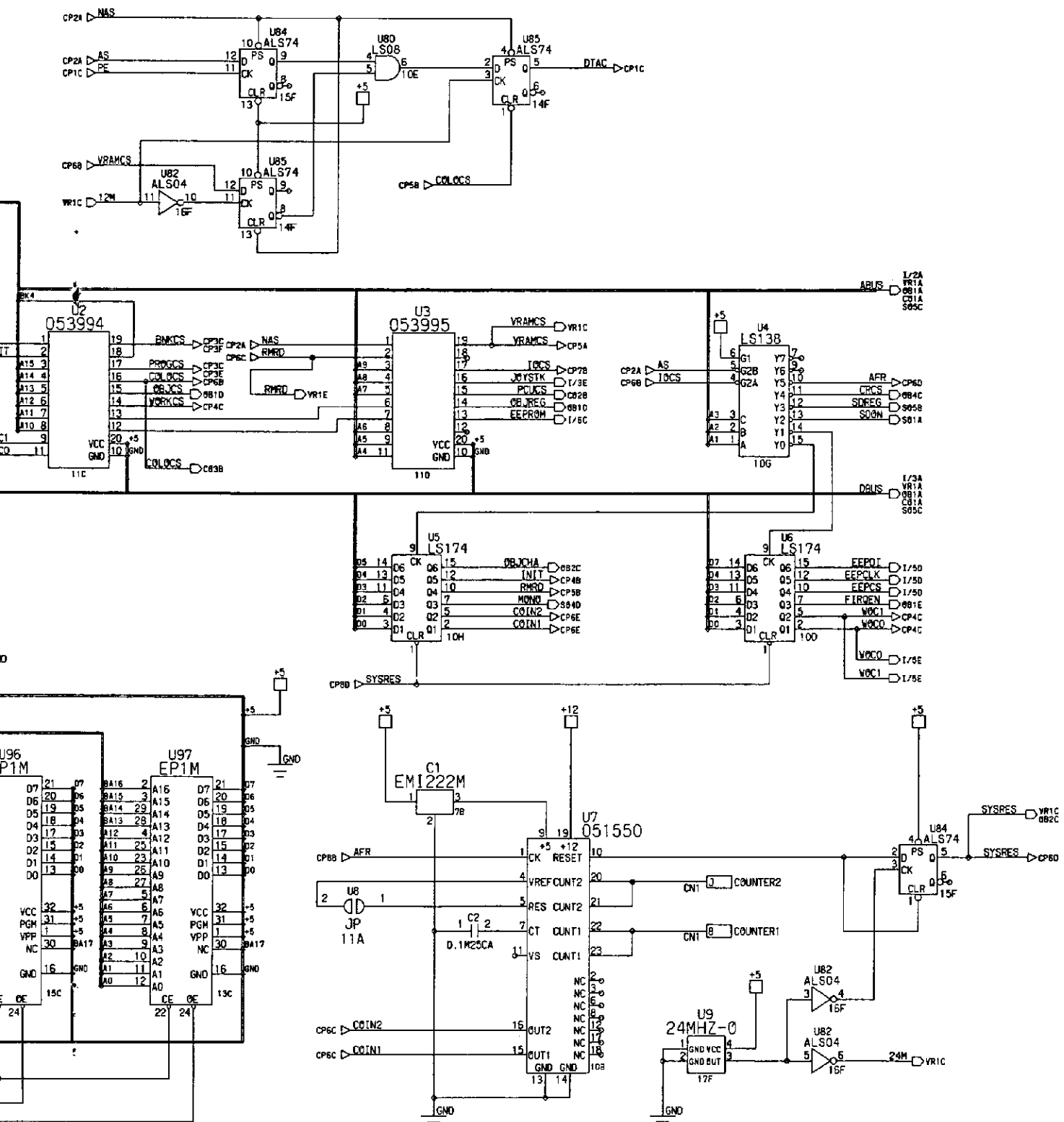
AC WIRING HARNESS



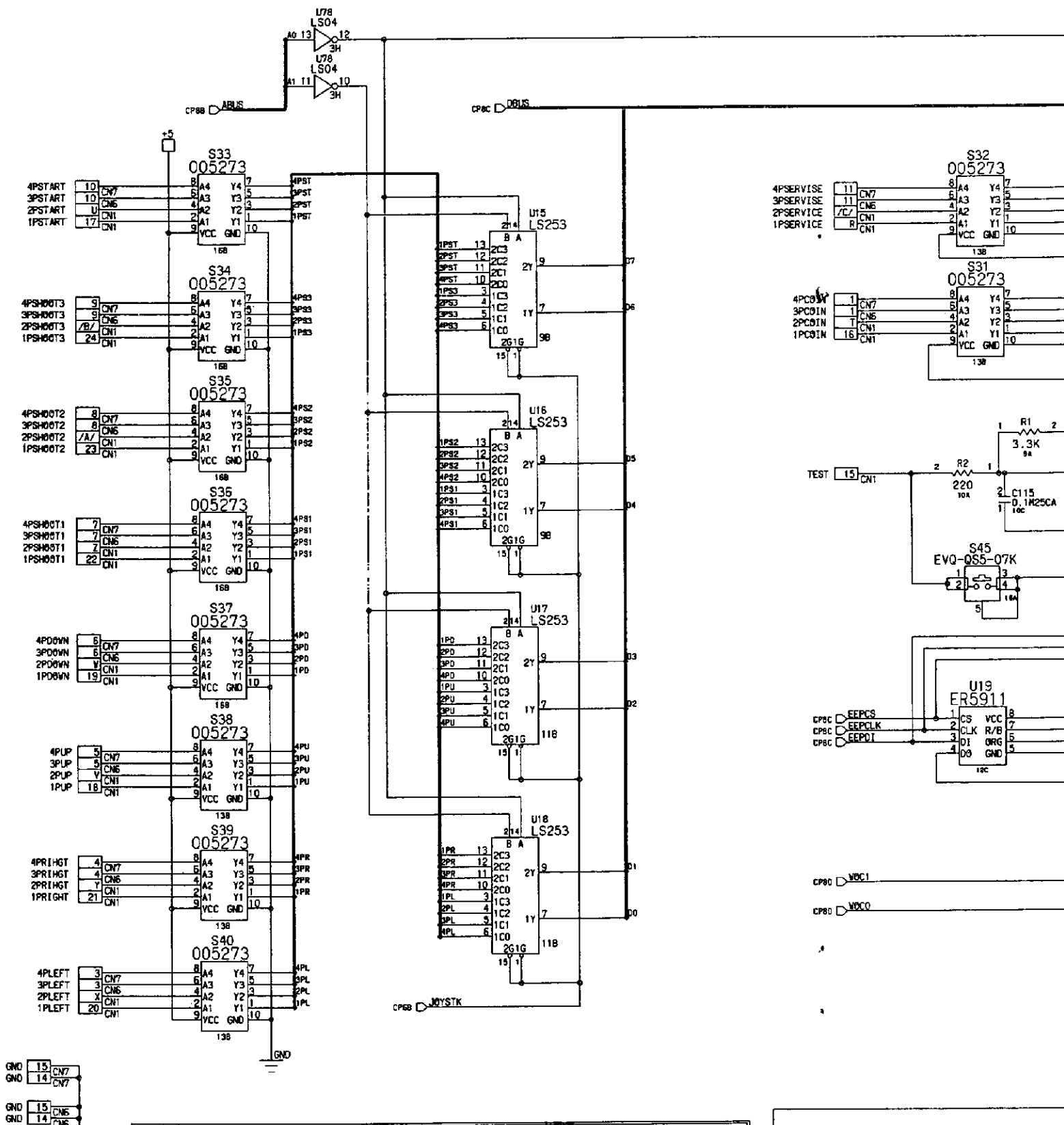


PROPRIETARY AND CONFIDENTIAL:
 REPRODUCTION FORBIDDEN WITHOUT THE SPECIFIC WRITTEN PERMISSION OF KONAMI INDUSTRY CO., LTD. 7-3-2, MINATOJIMA-NAKAMACHI, CHUO-KU, KOBE 650, JAPAN. THIS DRAWING IS ONLY CONDITIONALLY ISSUED. NEITHER RECEIPT NOR POSSESSION OF THIS DRAWING OR ANY OPERATING MANUAL RELATING TO KONAMI'S GAMES OR PRODUCTS CONTAINING THIS DRAWING CONFERS OR TRANSFERS ANY RIGHT IN OR LICENSE TO USE THE PRINTED CIRCUIT BOARDS RELATING TO THIS DRAWING OR OTHER SUBJECT MATTER OF THE DRAWING OR ANY DESIGN OR TECHNICAL INFORMATION SHOWN THEREON. EXCEPT FOR MANUFACTURE BY VENDORS OF KONAMI INDUSTRY CO., LTD. AND FOR MANUFACTURE UNDER KONAMI'S WRITTEN LICENSE, NO RIGHT IS GRANTED TO REPRODUCE, MAKE, HAVE MADE, USE OR SELL THIS DRAWING OR THE SUBJECT MATTER THEREOF INCLUDING, WITHOUT LIMITATION, THE PRINTED CIRCUIT BOARD OR OPERATING MANUAL RELATING THEREON, WHATSOEVER, UNLESS BY WRITTEN AGREEMENT WITH OR WRITTEN PERMISSION FROM KONAMI. COPYRIGHT 1991 KONAMI INDUSTRY CO., LTD. ALL RIGHTS RESERVED.

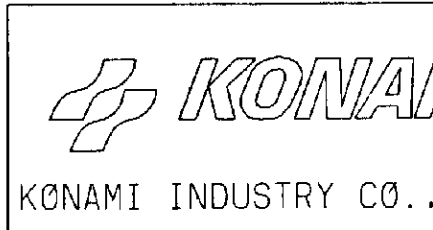


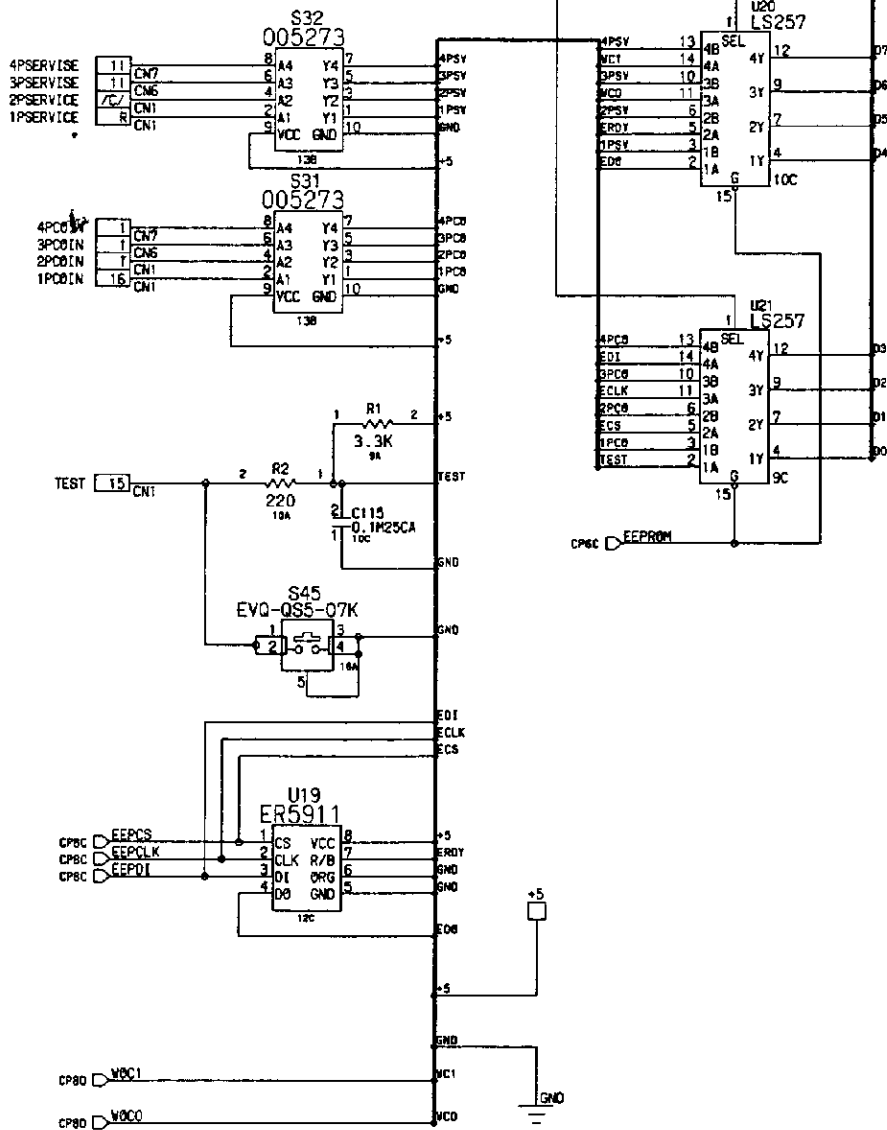


DRAWING	DESIGN	H. MATSUURA	TITLE	GX072
	DRAW	H. MATSUURA	SUBTITLE	CPU
	CHECK	<i>K. Hashima</i>	PAGE	
	APPROVE	<i>H. Matsuura</i>	CODE NO	352362
	SCALE		REG. TYPE	GX072 PWB352345B
	TOLERANCE		SECURITY LEVEL	CONFIDENTIAL
	DATE	91. 3. 4		



PROPRIETARY AND CONFIDENTIAL:
 REPRODUCTION FORBIDDEN WITHOUT THE SPECIFIC WRITTEN PERMISSION OF KONAMI INDUSTRY CO.,LTD..7-3-2, MINATOJIMA-NAKAMACHI, CHUO-KU, KOBE 650, JAPAN. THIS DRAWING IS ONLY CONDITIONALLY ISSUED. NEITHER RECEIPT NOR POSSESSION OF THIS DRAWING OR ANY OPERATING MANUAL RELATING TO KONAMI'S GAMES OR PRODUCTS CONTAINING THIS DRAWING CONFERS OR TRANSFERS ANY RIGHT IN OR LICENSE TO USE THE PRINTED CIRCUIT BOARDS RELATING TO THIS DRAWING OR OTHER SUBJECT MATTER OF THE DRAWING OR ANY DESIGN OR TECHNICAL INFORMATION SHOWN THEREON, EXCEPT FOR MANUFACTURE BY VENDORS OF KONAMI INDUSTRY CO.,LTD. AND FOR MANUFACTURE UNDER KONAMI'S WRITTEN LICENSE. NO RIGHT IS GRANTED TO REPRODUCE, MAKE, HAVE MADE, USE OR SELL THIS DRAWING OR THE SUBJECT MATTER THEREOF INCLUDING, WITHOUT LIMITATION, THE PRINTED CIRCUIT BOARD OR OPERATING MANUAL RELATING THERETO, WHATSOEVER, UNLESS BY WRITTEN AGREEMENT WITH OR WRITTEN PERMISSION FROM KONAMI. COPYRIGHT 1991 KONAMI INDUSTRY CO.,LTD. ALL RIGHTS RESERVED.





88 CN1
JAMMA

88 CN6
B15P-SHF-1AA

88 CN7
B15P-SHF-1AA

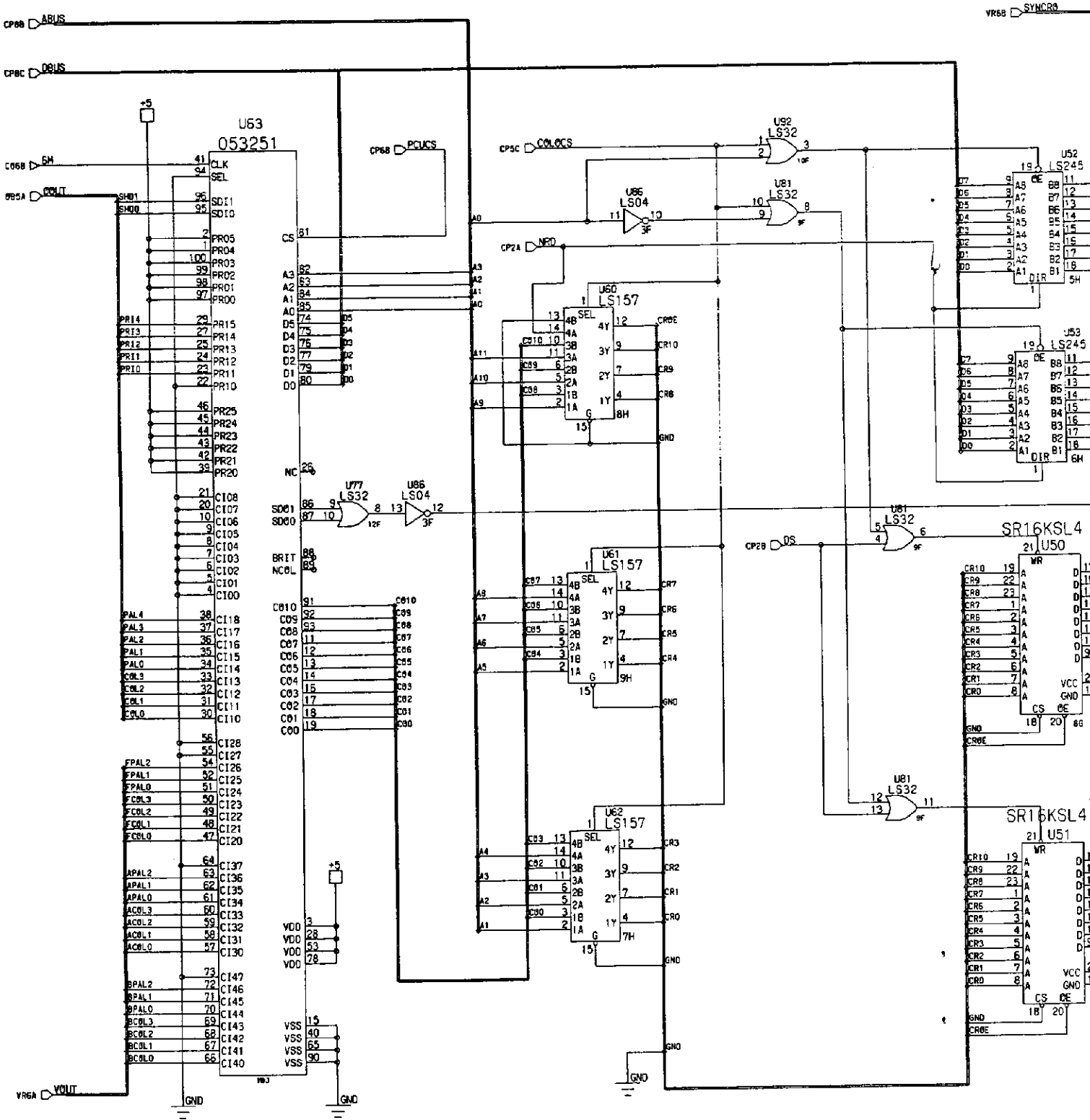
2. OTHER PRODUCTS OF BOARDS INFORMATION ARE UNDER DRAWING MANUFACTURING MANUAL.



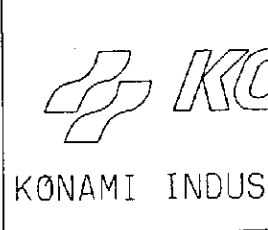
KONAMI INDUSTRY CO., LTD.

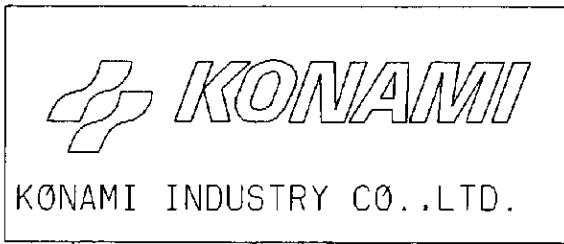
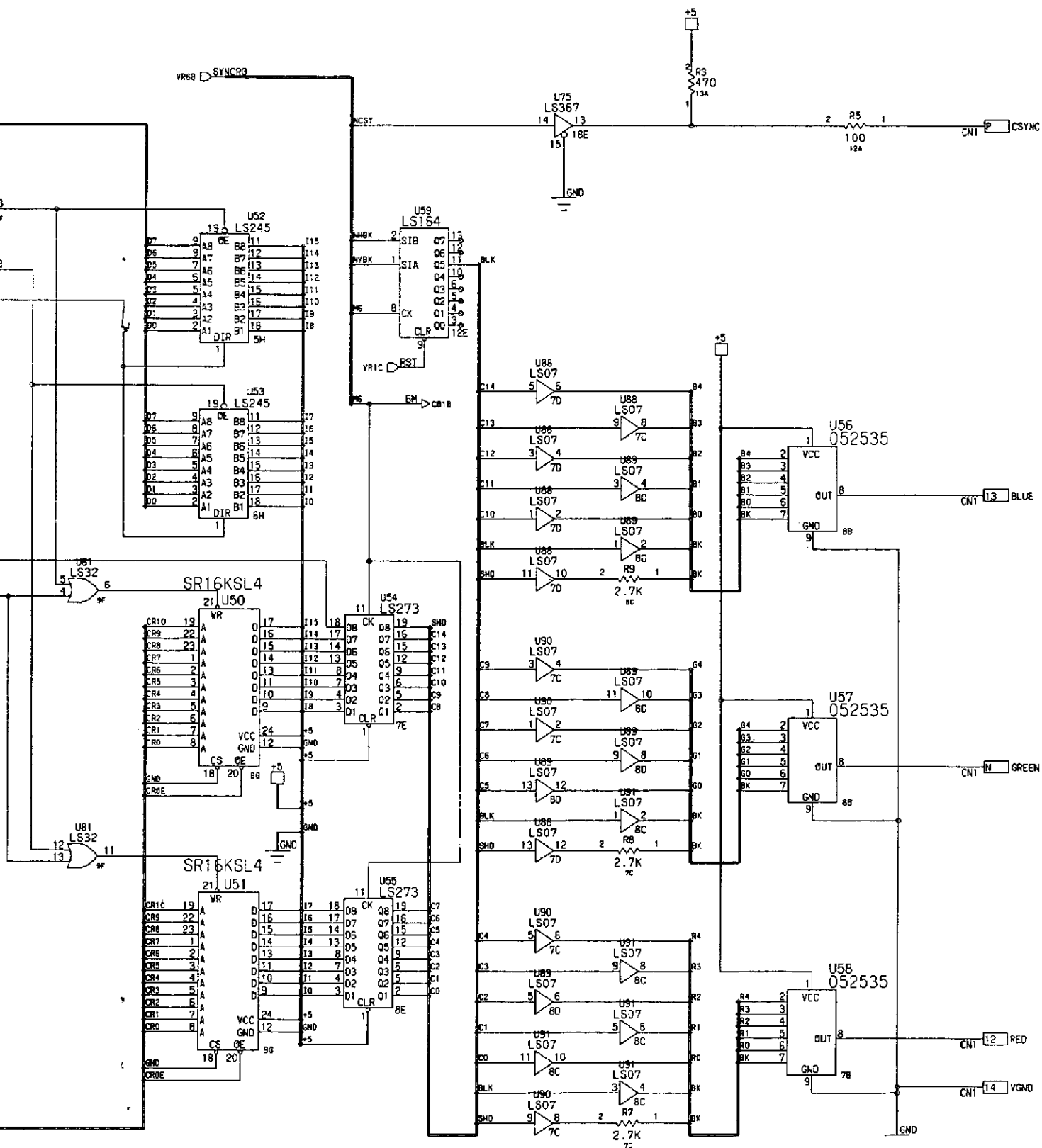
DRAWING

DESIGN	H. MATSUURA	TITLE	GX072
DRAW	H. MATSUURA	CONFIDENTIAL	I/0
CHECK	K. I. MATSUURA	PAGE	
APPROVE	<i>[Signature]</i>	CODE NO.	352762
SCALE		REG. TYPE	GX072 PWB352346B
TOLERANCE		SECURITY LEVEL	CONFIDENTIAL
DATE	91. 3. 4		

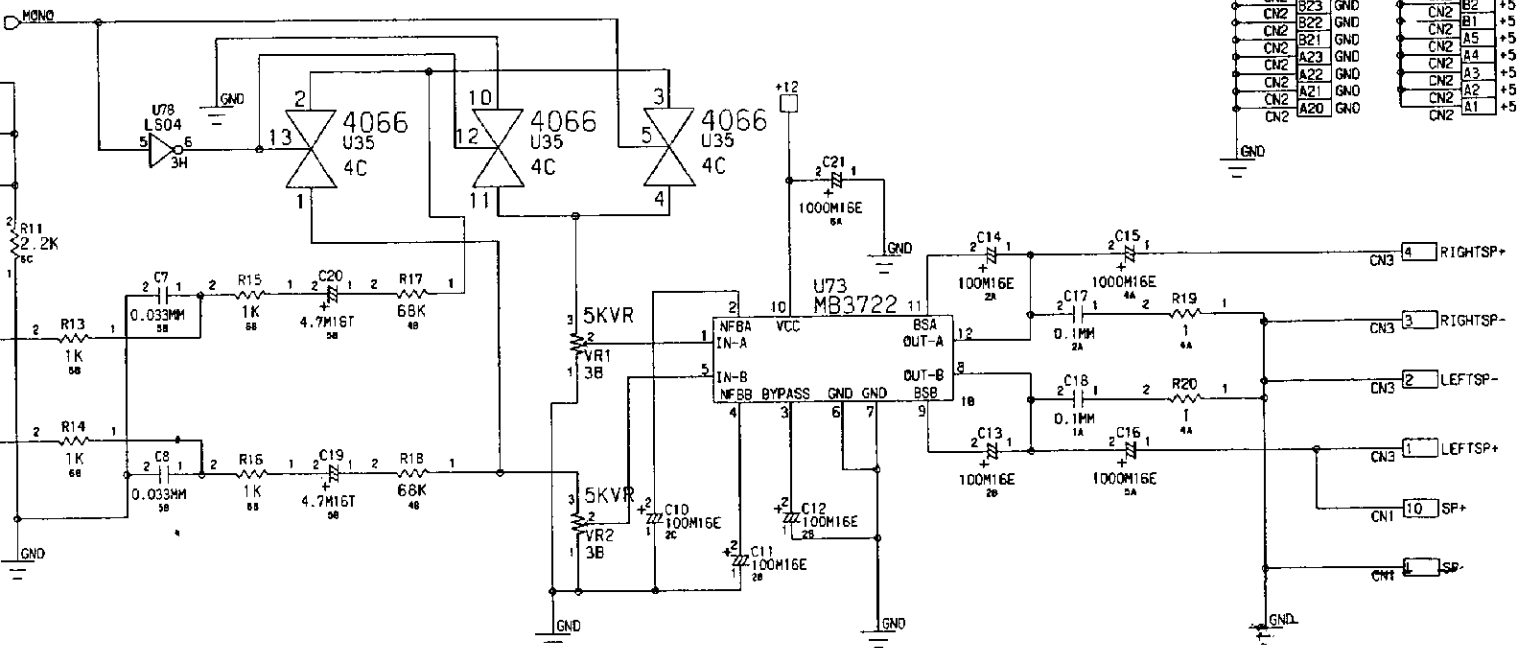
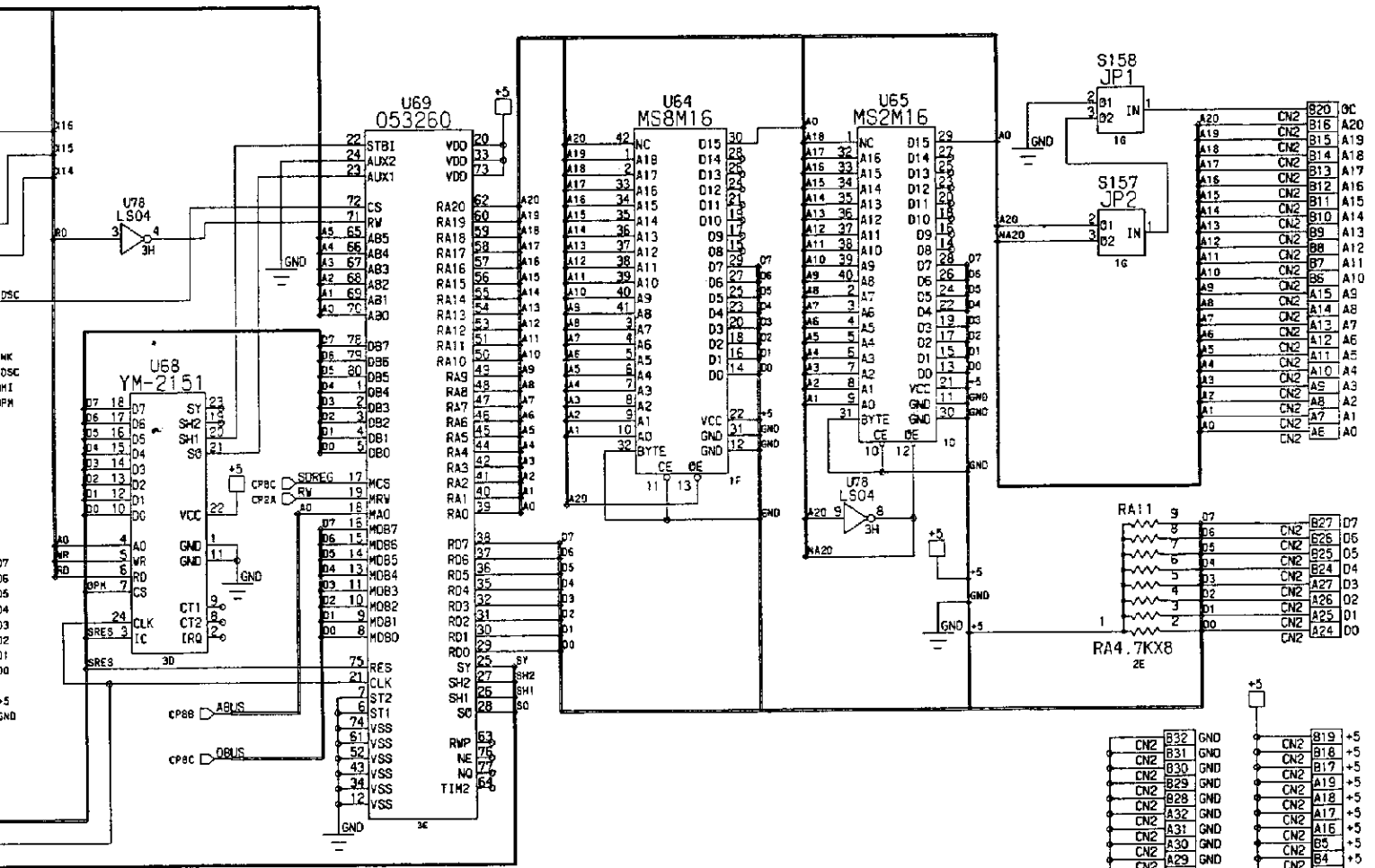


PROPRIETARY AND CONFIDENTIAL:
 REPRODUCTION FORBIDDEN WITHOUT THE SPECIFIC WRITTEN PERMISSION OF KONAMI INDUSTRY CO., LTD., 7-3-2, MINATOJIMA-NAKAMACHI, CHUO-KU, KOBE 650, JAPAN. THIS DRAWING IS ONLY CONDITIONALLY ISSUED. NEITHER RECEIPT NOR POSSESSION OF THIS DRAWING OR ANY OPERATING MANUAL RELATING TO KONAMI'S GAMES OR PRODUCTS CONTAINING THIS DRAWING CONFERS OR TRANSFERS ANY RIGHT IN OR LICENSE TO USE THE PRINTED CIRCUIT BOARDS RELATING TO THIS DRAWING OR OTHER SUBJECT MATTER OF THE DRAWING OR ANY DESIGN OR TECHNICAL INFORMATION SHOWN THEREON. EXCEPT FOR MANUFACTURE BY VENDORS OF KONAMI INDUSTRY CO., LTD. AND FOR MANUFACTURE UNDER KONAMI'S WRITTEN LICENSE, NO RIGHT IS GRANTED TO REPRODUCE, MAKE, HAVE MADE, USE OR SELL THIS DRAWING OR THE SUBJECT MATTER THEREOF INCLUDING, WITHOUT LIMITATION, THE PRINTED CIRCUIT BOARD OR OPERATING MANUAL RELATING THEREOF, WHATSOEVER, UNLESS BY WRITTEN AGREEMENT WITH OR WRITTEN PERMISSION FROM KONAMI. COPYRIGHT 1991 KONAMI INDUSTRY CO., LTD. ALL RIGHTS RESERVED.





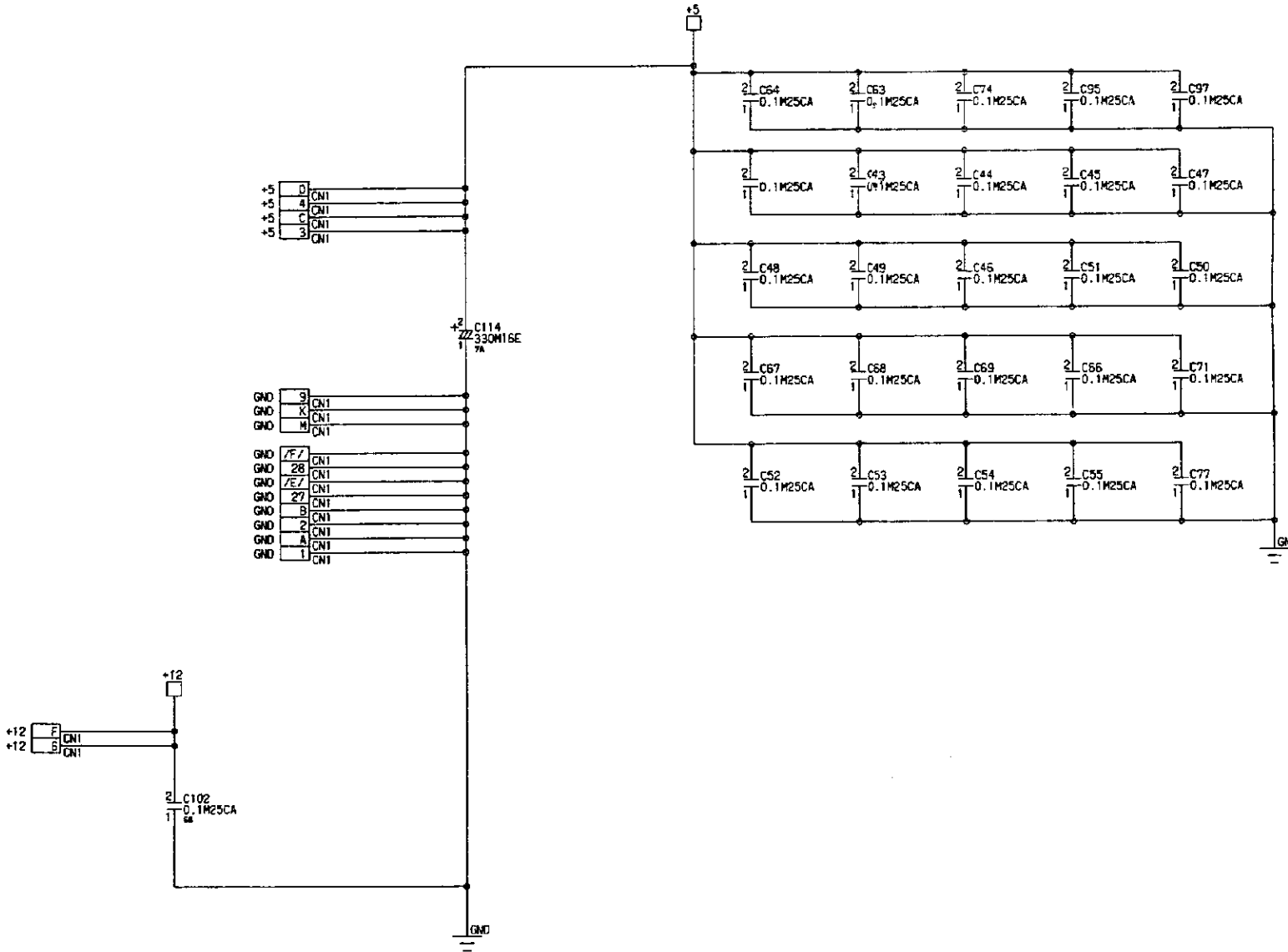
DRAWING		DESIGN	H. MATSUURA	TITLE	GX072
DRAW			H. MATSUURA	SUBTITLE	COLOR
CHECK			<i>K. Hashima</i>	CONFIDENTIAL	
APPROVE			<i>R. Ueno</i>	PAGE	
SCALE				CODE NO.	552762
TOLERANCE				REG. TYPE	GX072 PWB352346B
DATE				SECURITY LEVEL	CONFIDENTIAL
					91. 3. 4



KONAMI

KONAMI INDUSTRY CO., LTD.

DRAWING	DESIGN	H. MATSUURA	TITLE	GX072
	DRAW	H. MATSUURA	SUBTITLE	SCHEM
	CHECK	K. Hashima	PAGE	
	APPROVE	<i>[Signature]</i>	CODE NO.	352762
	SCALE		REG. TYPE	GX072 PWB352346B
	TOLERANCE		SECURITY LEVEL	CONFIDENTIAL
	DATE	91. 3. 4.		

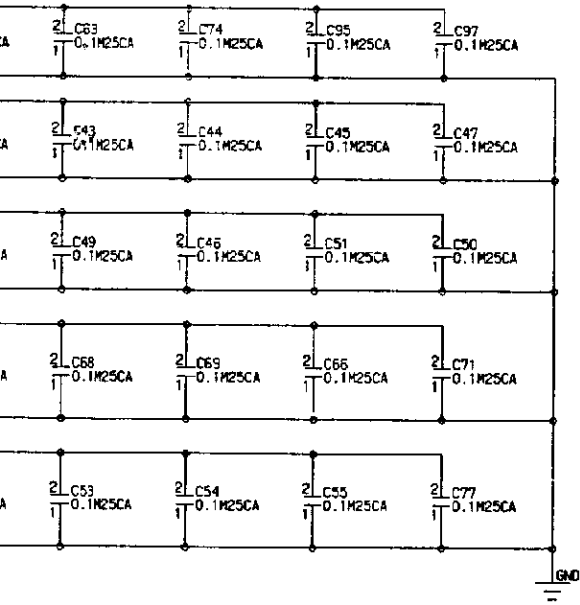


PROPRIETARY AND CONFIDENTIAL:



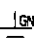
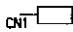
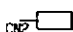
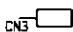

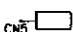


REPRODUCTION FORBIDDEN WITHOUT THE SPECIFIC WRITTEN PERMISSION OF KONAMI INDUSTRY CO.,LTD.,7-3-2, MINATOJIMA-NAKAMACHI, CHUO-KU, KOBE 650, JAPAN. THIS DRAWING IS ONLY CONDITIONALLY ISSUED. NEITHER RECEIPT NOR POSSESSION OF THIS DRAWING OR ANY OPERATING MANUAL RELATING TO KONAMI'S GAMES OR PRODUCTS CONTAINING THIS DRAWING CONFERS OR TRANSFERS ANY RIGHT IN OR LICENSE TO USE THE PRINTED CIRCUIT BOARDS RELATING TO THIS DRAWING OR OTHER SUBJECT MATTER OF THE DRAWING OR ANY DESIGN OR TECHNICAL INFORMATION SHOWN THEREON, EXCEPT FOR MANUFACTURE BY VENDORS OF KONAMI INDUSTRY CO.,LTD. AND FOR MANUFACTURE UNDER KONAMI'S WRITTEN LICENSE. NO RIGHT IS GRANTED TO REPRODUCE, MAKE, HAVE MADE, USE OR SELL THIS DRAWING OR THE SUBJECT MATTER THEREOF INCLUDING, WITHOUT LIMITATION, THE PRINTED CIRCUIT BOARD OR OPERATING MANUAL RELATING THERETO, WHATSOEVER, UNLESS BY WRITTEN AGREEMENT WITH OR WRITTEN PERMISSION FROM KONAMI. COPYRIGHT 1991 KONAMI INDUSTRY CO.,LTD. ALL RIGHTS RESERVED.



KONAMI INDUSTRY CO.,LTD.




----- NOTES -----

-  +5 VCC(+5V)
-  +12 VCC(+12V)
-  GND
-  JAMMA EDGE 56P
-  64P DIN CONNECTOR
-  4P NH CONNECTOR
-  64P DIN CONNECTOR
-  64P DIN CONNECTOR
-  15P NH CONNECTOR
-  15P NH CONNECTOR

KINDS OF CAPACITOR

- C : CERAMIC
- E : ELECTROLYTIC
- M : MYLAR
- T : TANTALUM

 KONAMI INDUSTRY CO.,LTD.	DRAW'NG	DESIGN	H. MATSUURA	TITLE	GX072
		DRAW	H. MATSUURA	SECRET	
		CHECK	K. Hashino	PAGE	
		APPROVE	<i>[Signature]</i>	CODE NO.	352762
		SCALE		REG. TYPE	GX072 PWB352346B
		TOLERANCE		SECURITY LEVEL	CONFIDENTIAL
		DATE			

91. 3. 4.