

USER INFORMATION
WARNING
F.C.C. REGULATION COMPLIANCE

THIS EQUIPMENT COMPLIES WITH THE REQUIREMENTS IN PART 15 OF FCC RULES FOR A CLASS A COMPUTING DEVICE. OPERATION OF THIS EQUIPMENT IN A RESIDENTIAL AREA MAY CAUSE UNACCEPTABLE INTERFERENCE TO RADIO AND TV RECEPTION REQUIRING THE OPERATOR TO TAKE WHATEVER STEPS ARE NECESSARY TO CORRECT THE INTERFERENCE.



815 Mittel Drive, Wood Dale, Illinois 60191
Telephone: (312) 595-1443, Telex: 6871385 KONAM UW, Fax: (312) 595-2973



INSTRUCTION MANUAL

MAIN EVENT™ is a registered trademark of Konami Inc. © 1988 Konami Inc.
 *KONAMI® is a trademark of Konami Industry Co., Ltd.*

MAIN EVENT: WIRING HARNESS

WIRE COLOR KEY:

		Solder Side ←		→ Parts Side	
BLACK	GND	A	1	GND	BLACK
BLACK	GND	B	2	GND	BLACK
RED	+ 5V DC	C	3	+ 5V DC	RED
RED	+ 5V DC	D	4	+ 5V DC	RED
	NOT USED	E	5	NOT USED	
ORANGE	+ 12V DC	F	6	+ 12V DC	ORANGE
	*KEY	H	7	*KEY	
	(EMPTY)	J	8	COIN COUNTER	GREEN/GRAY
	(EMPTY)	K	9	(EMPTY)	
YELLOW	SPEAKER (-)	L	10	SPEAKER (+)	BLUE
	(EMPTY)	M	11	(EMPTY)	
WHITE/GREEN	VIDEO GREEN	N	12	VIDEO RED	RED/WHITE
WHITE	VIDEO SYNC	P	13	VIDEO BLUE	BLUE/WHITE
	(EMPTY)	R	14	VIDEO GROUND	BLACK
	(EMPTY)	S	15	(EMPTY)	
VIOLET/WHITE	COIN 2	T	16	COIN 1	BLUE/BROWN
RED/GREEN	2P START	U	17	1P START	PINK/YELLOW
BLUE/YELLOW	2P UP	V	18	1P UP	ORANGE/WHITE
VIOLET/YELLOW	2P DOWN	W	19	1P DOWN	BLACK/WHITE
ORANGE/GREEN	2P LEFT	X	20	1P LEFT	RED/GRAY
ORANGE/YELLOW	2P RIGHT	Y	21	1P RIGHT	GRAY/WHITE
BLACK/YELLOW	2P TAG	Z	22	1P TAG	RED/WHITE
ORANGE/GRAY	2P ACTION	a	23	1P ACTION	GREEN/BROWN
	NOT USED	b	24	NOT USED	
	NOT USED	c	25	NOT USED	
	NOT USED	d	26	NOT USED	
BLACK	GND	e	27	GND	BLACK
BLACK	GND	f	28	GND	BLACK

(BASE COLOR/LINE COLOR)

MAIN EVENT: SUB HARNESS

CN3 3P CONTROLS	1	Coin 3	White/Violet
	2	Empty	
	3	3P Left	White/Red
	4	3P Right	White/Yellow
	5	3P Up	White/Black
	6	3P Down	White/Blue
	7	3P Tag	White/Brown
	8	3P Action	White/Orange
	9	Empty	
	10	Empty	
	11	Empty	
	12	Empty	
	13	Empty	
	14	Empty	
	15	Ground	Black
CN4 4P CONTROLS	1	Coin 4	Blue
	2	Empty	
	3	4P Left	Yellow/Black
	4	4P Right	Brown/Black
	5	4P Up	Green/Yellow
	6	4P Down	Yellow/Red
	7	4P Tag	Yellow/White
	8	4P Action	Yellow/Blue
	9	Empty	
	10	Empty	
	11	Empty	
	12	Empty	
	13	Empty	
	14	Empty	
	15	Ground	Black
CN2 ACTION LAMP OUTPUTS	1	Lamp 1	Violet
	2	Lamp 2	Blue
	3	Lamp 3	Green
	4	Lamp 4	Yellow
	5	Empty	
	6	+ 12 Volts	Black

DIP SWITCH SETTINGS

DIP SWITCH NO. 1 SETTINGS

1. COIN 1

SW	1	2	3	4	COIN	CREDIT
•	OFF	OFF	OFF	OFF	1	1
	ON	OFF	OFF	OFF	1	2
	OFF	ON	OFF	OFF	1	3
	ON	ON	OFF	OFF	1	4
	OFF	OFF	ON	OFF	1	5
	ON	OFF	ON	OFF	1	6
	OFF	ON	OFF	OFF	1	7
	ON	ON	OFF	OFF	2	1
	OFF	OFF	OFF	ON	2	3
	ON	OFF	OFF	ON	2	5
	OFF	ON	OFF	ON	3	1
	ON	ON	OFF	ON	3	2
	OFF	OFF	ON	ON	3	4
	ON	OFF	ON	ON	4	1
	OFF	ON	ON	ON	4	3
	ON	ON	ON	ON	4	5

SW5 through SW8 are not used.

DIP SWITCH NO. 2 SETTINGS

1. BONUS ENERGY

SW	1	2	ENERGY
•	OFF	OFF	90
	ON	OFF	80
	OFF	ON	70
	ON	ON	60

2. DIFFICULTY OF THE GAME

SW	6	7	DIFFICULTY
•	OFF	OFF	EASY
	ON	OFF	NORMAL
	OFF	ON	DIFFICULT
	ON	ON	VERY DIFFICULT

3. SOUND IN ATTRACTIVE MODE

SW	8	SOUND
•	OFF	OFF
	ON	ON

SW 1, SW2 and SW3 are not used.

DIP SWITCH NO.3 SETTINGS

1. VIDEO SCREEN FLIP

SW	1	
•	OFF	NORMAL
	ON	UPSIDE DOWN

2. CHANGE OF MODE

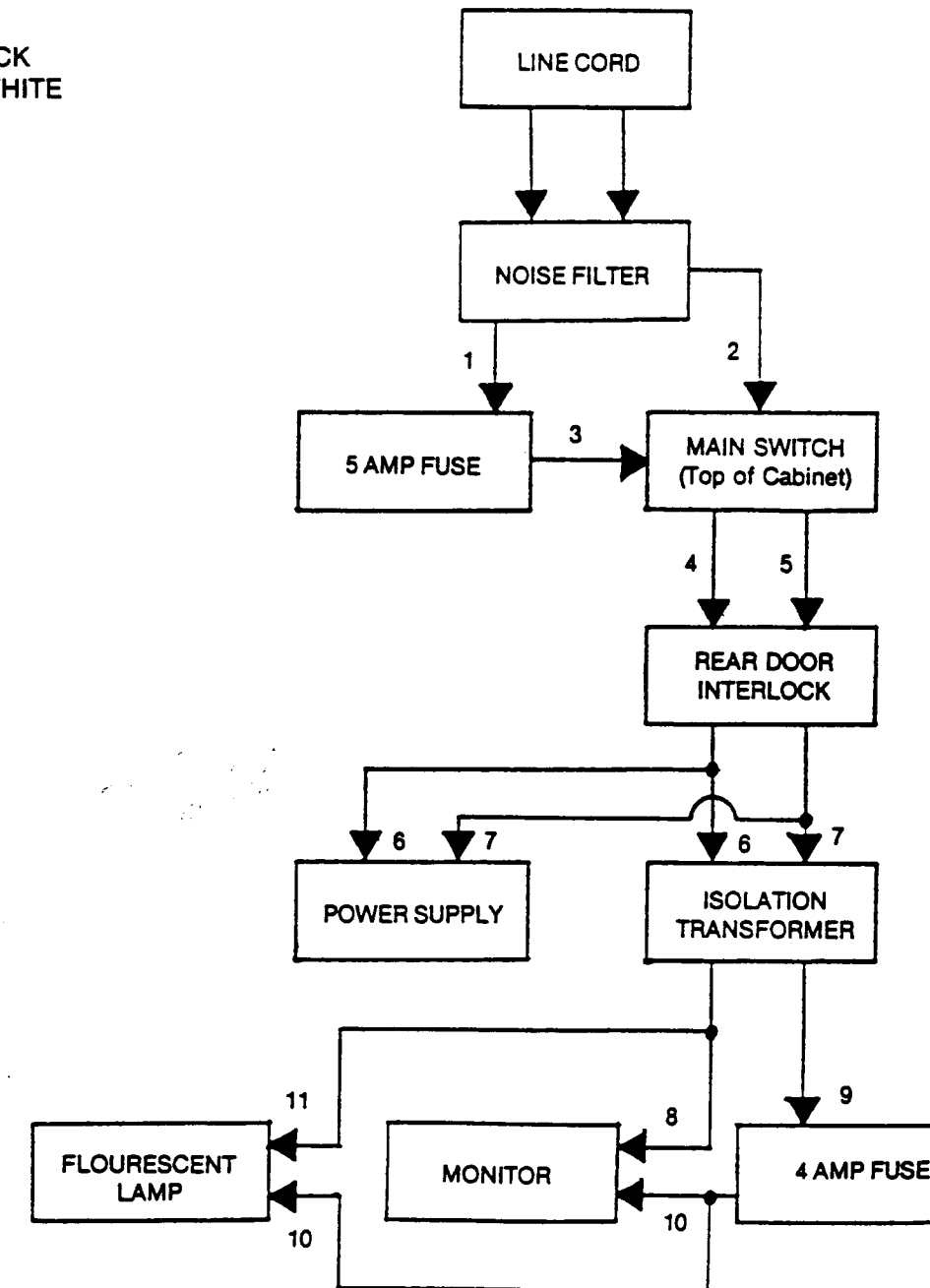
SW	3	MODE
•	OFF	GAME
	ON	TEST

SW2 and SW4 are not used.

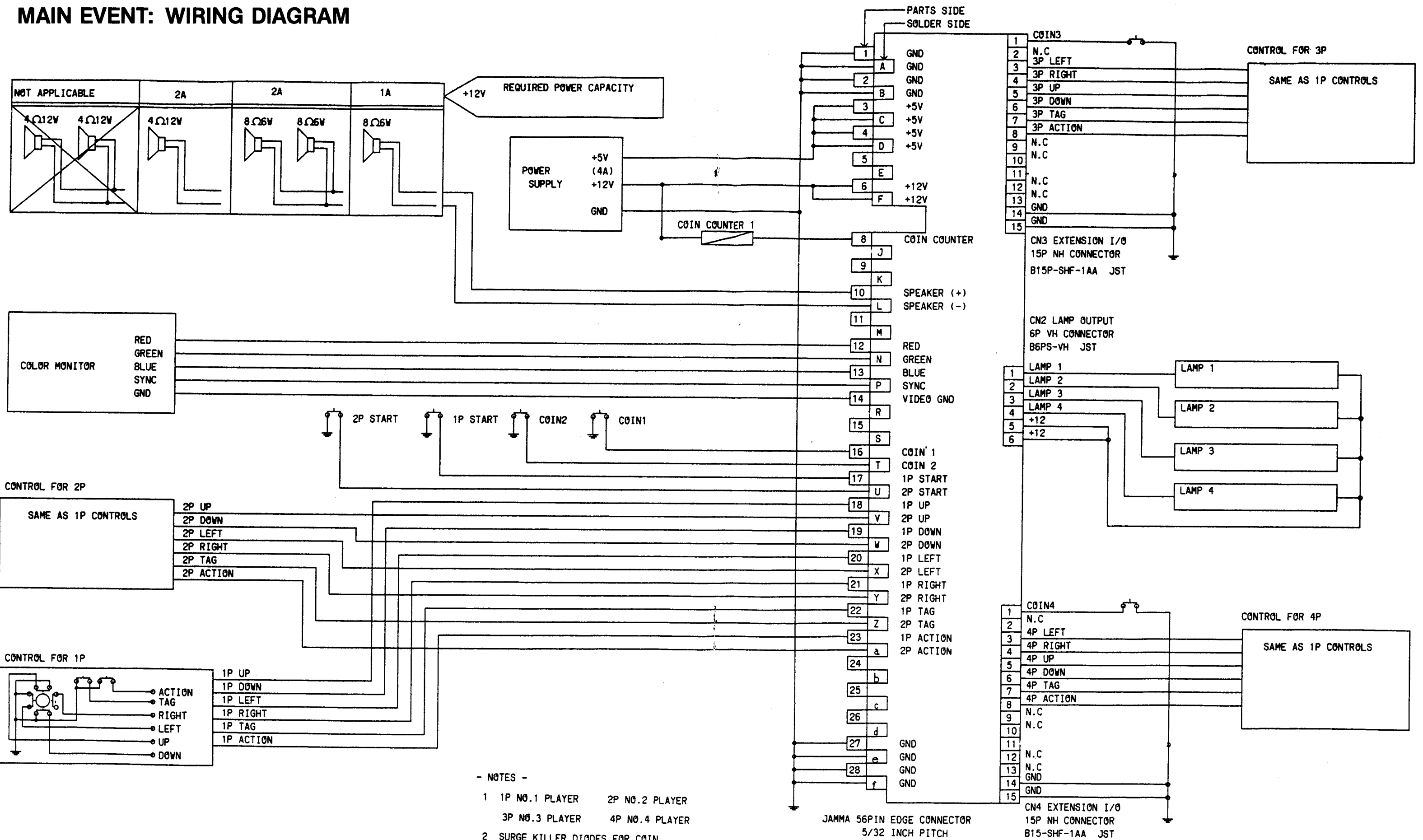
- Shows recommended settings

MAIN EVENT: AC FLOW CHART

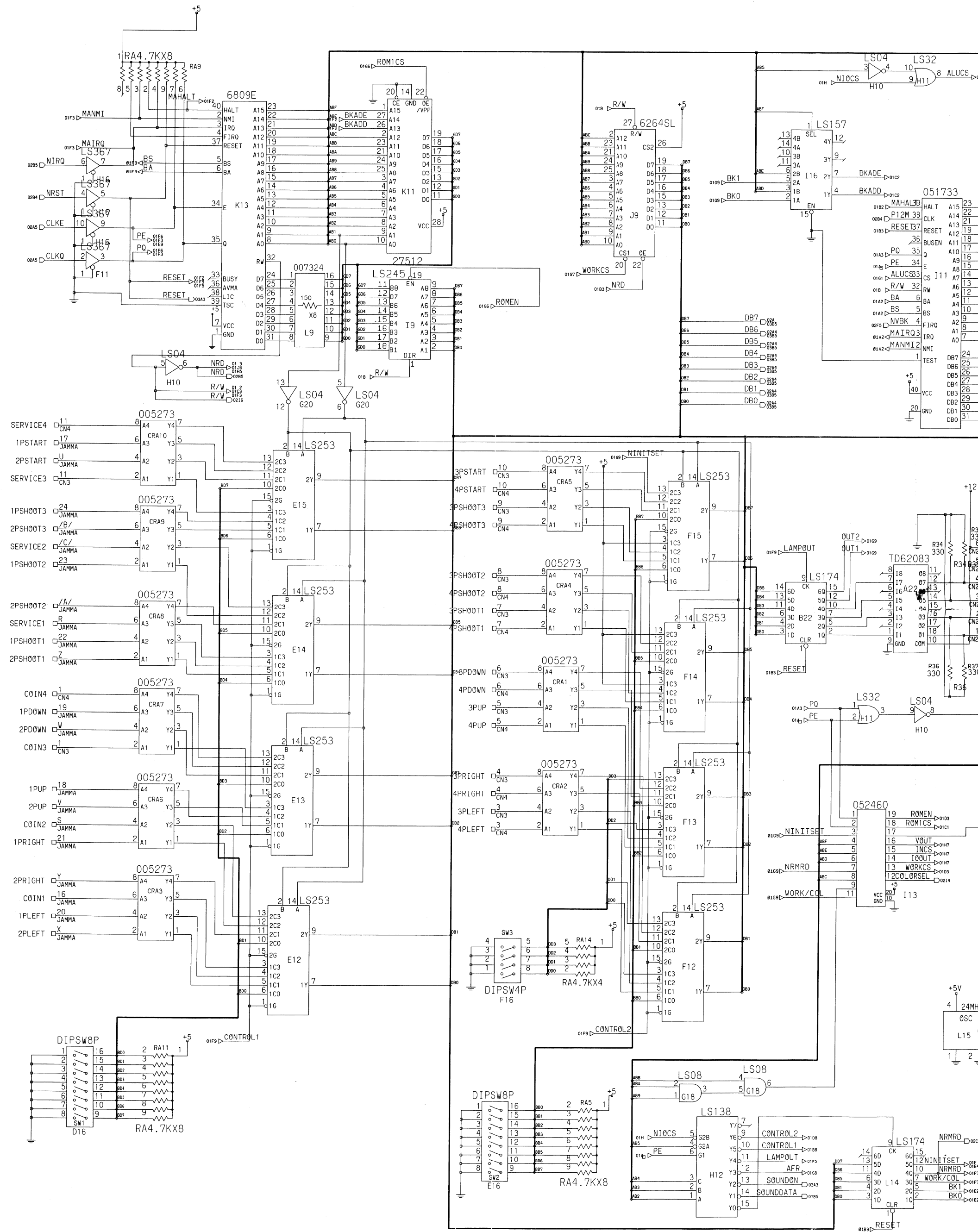
1. GREEN/YELLOW
2. BLACK
3. RED
4. BLUE
5. BROWN
6. RED/BLACK
7. BLACK/WHITE
8. WHITE
9. GREEN
10. VIOLET
11. ORANGE

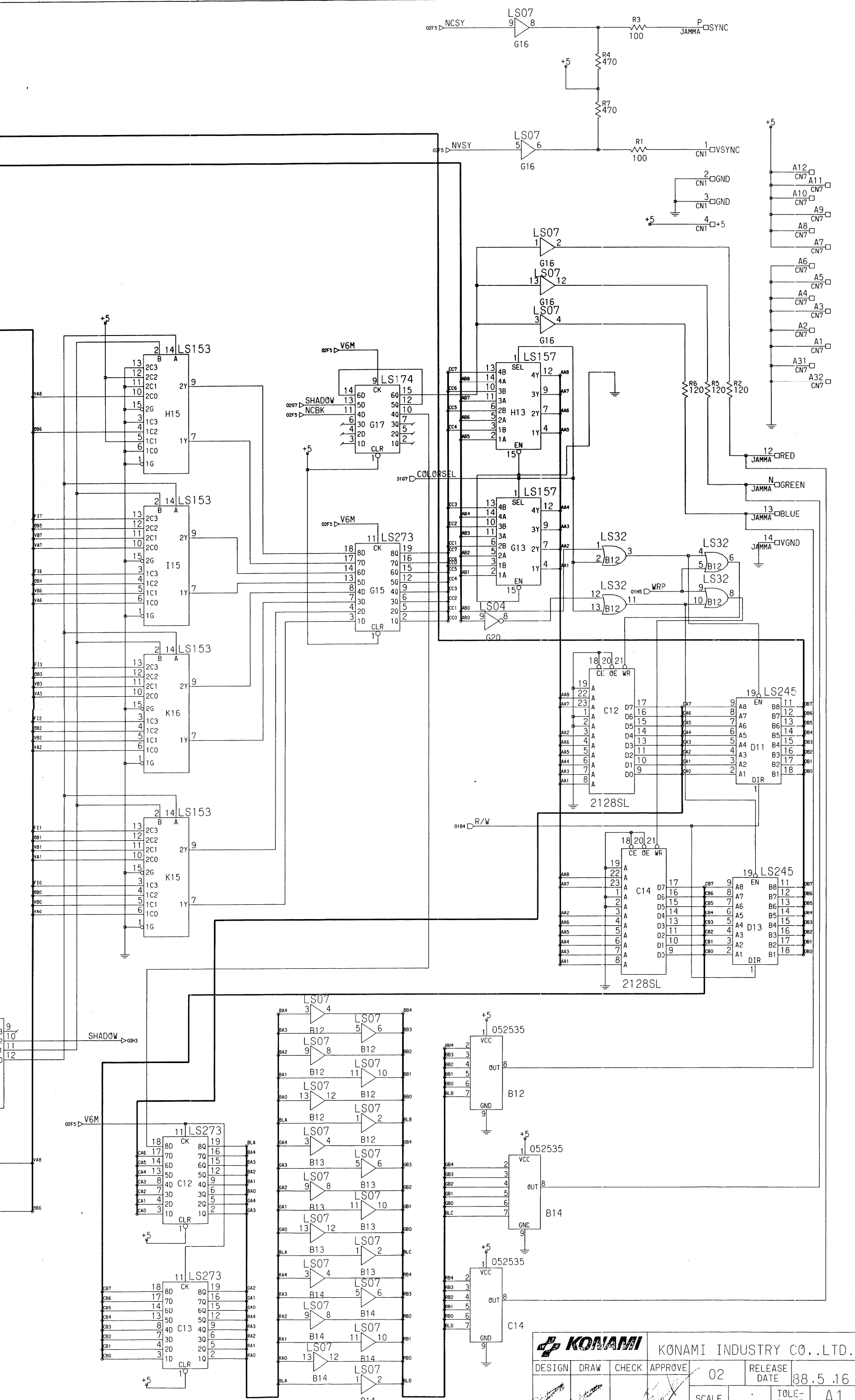


MAIN EVENT: WIRING DIAGRAM



- NOTES -
- 1P NO.1 PLAYER 2P NO.2 PLAYER
3P NO.3 PLAYER 4P NO.4 PLAYER
 - SURGE KILLER DIODES FOR COIN COUNTER INSTALLED ON THE P.C.B.



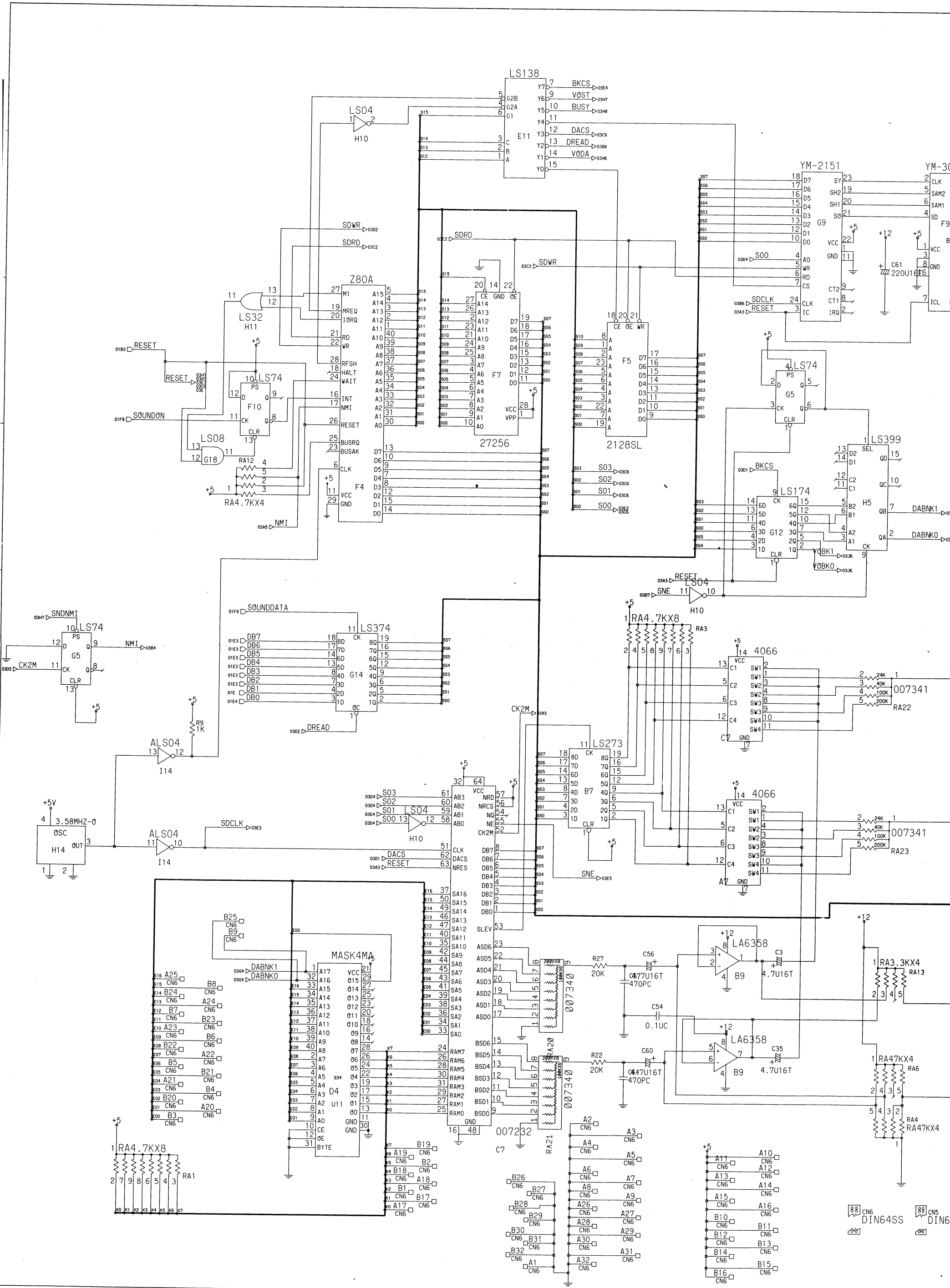


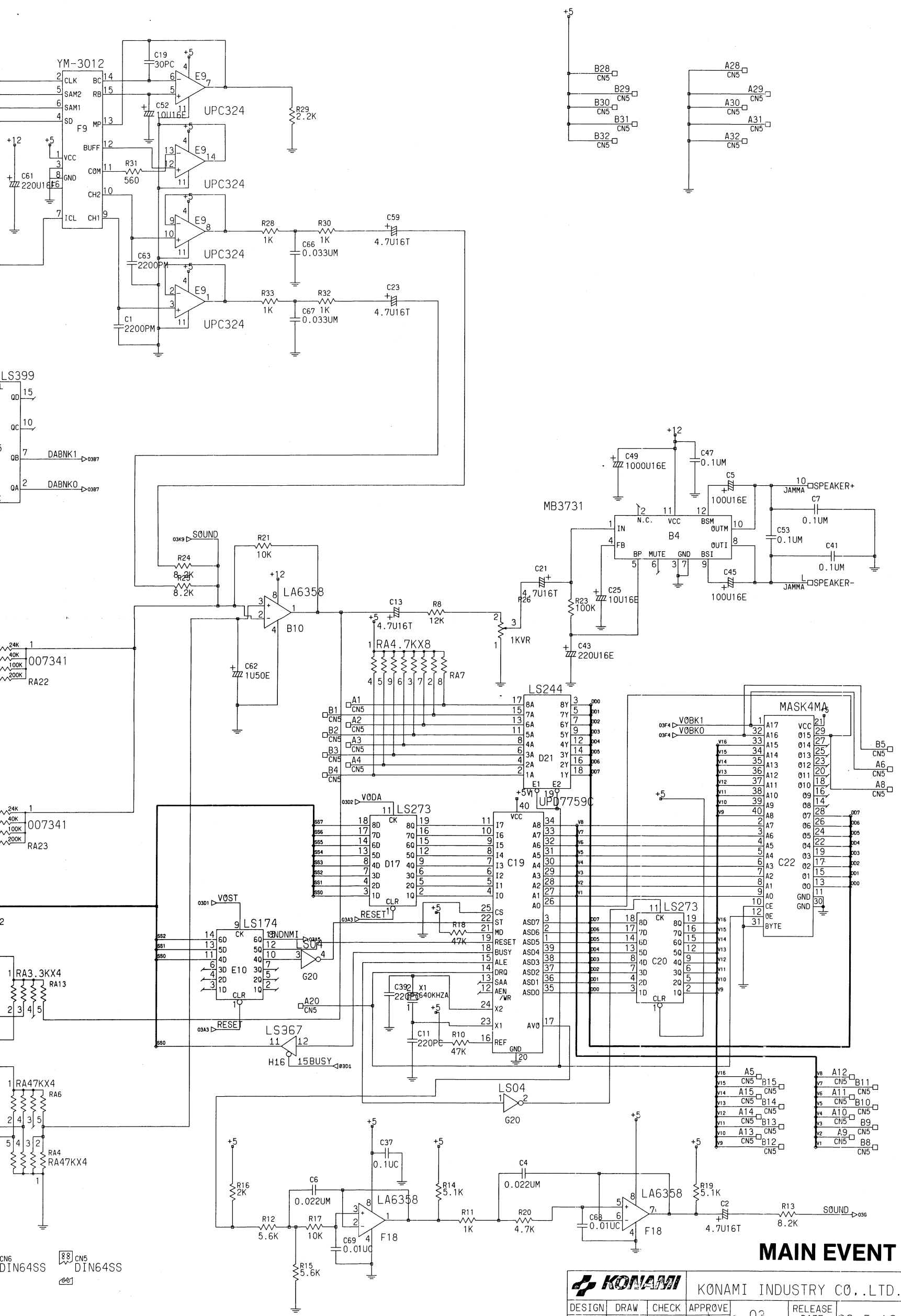
NOTE

- +5 : VCC(+5V)
- +12 : VCC(+12V)
- ⊥ : GND
- JAMMA □ : JAMMA EDGE 56P
PIN NO.
ALPHABET: SOLDER SIDE
NUMBER: PARTS SIDE
/A/: SMALL LETTER
- CN1 □ : 4P SV CONNECTOR
- CN2 □ : 6P VH CONNECTOR
- CN3 □ : 15P NH CONNECTOR
- CN4 □ : 15P NH CONNECTOR
- CN5 □ : 64P DIN CONNECTOR
- CN6 □ : 64P DIN CONNECTOR
- CN7 □ : 64P DIN CONNECTOR
- CN8 □ : 64P DIN CONNECTOR

KINDS OF CAPACITOR
 T : TANTALUM
 M : MYLAR
 E : ELECTROLYTIC
 C : CERAMIC

KONAMI				KONAMI INDUSTRY CO., LTD.		REG. TYPE	SCHEMATIC DIAGRAM
DESIGN	DRAW	CHECK	APPROVE	02	RELEASE DATE	88.5.16	NAME
					SCALE	TOLE-RANCE	A1
						CODE NO.	100098 2/3





NOTE

- +5 : VCC(+5V)
- +12 : VCC(+12V)
- ⊥ : GND
- JAMMA : JAMMA EDGE 56P
- PIN NO.
- ALPHABET: SOLDER SIDE
- NUMBER: PARTS SIDE
- /A/: SMALL LETTER
- CN1 : 4P SV CONNECTOR
- CN2 : 6P VH CONNECTOR
- CN3 : 15P NH CONNECTOR
- CN4 : 15P NH CONNECTOR
- CN5 : 64P DIN CONNECTOR
- CN6 : 64P DIN CONNECTOR
- CN7 : 64P DIN CONNECTOR
- CN8 : 64P DIN CONNECTOR

KINDS OF CAPACITOR

- T : TANTALUM
- M : MYLAR
- E : ELECTROLYTIC
- C : CERAMIC

MAIN EVENT

				KONAMI INDUSTRY CO., LTD.				REG. TYPE	SCHEMATIC DIAGRAM	
DESIGN	DRAW	CHECK	APPROVE	03	RELEASE DATE	88.5.16	NAME	GX799/GX890 PWB351024A		
SCALE			: TOLERENCE		A1		CODE NO.	100098 3/3		