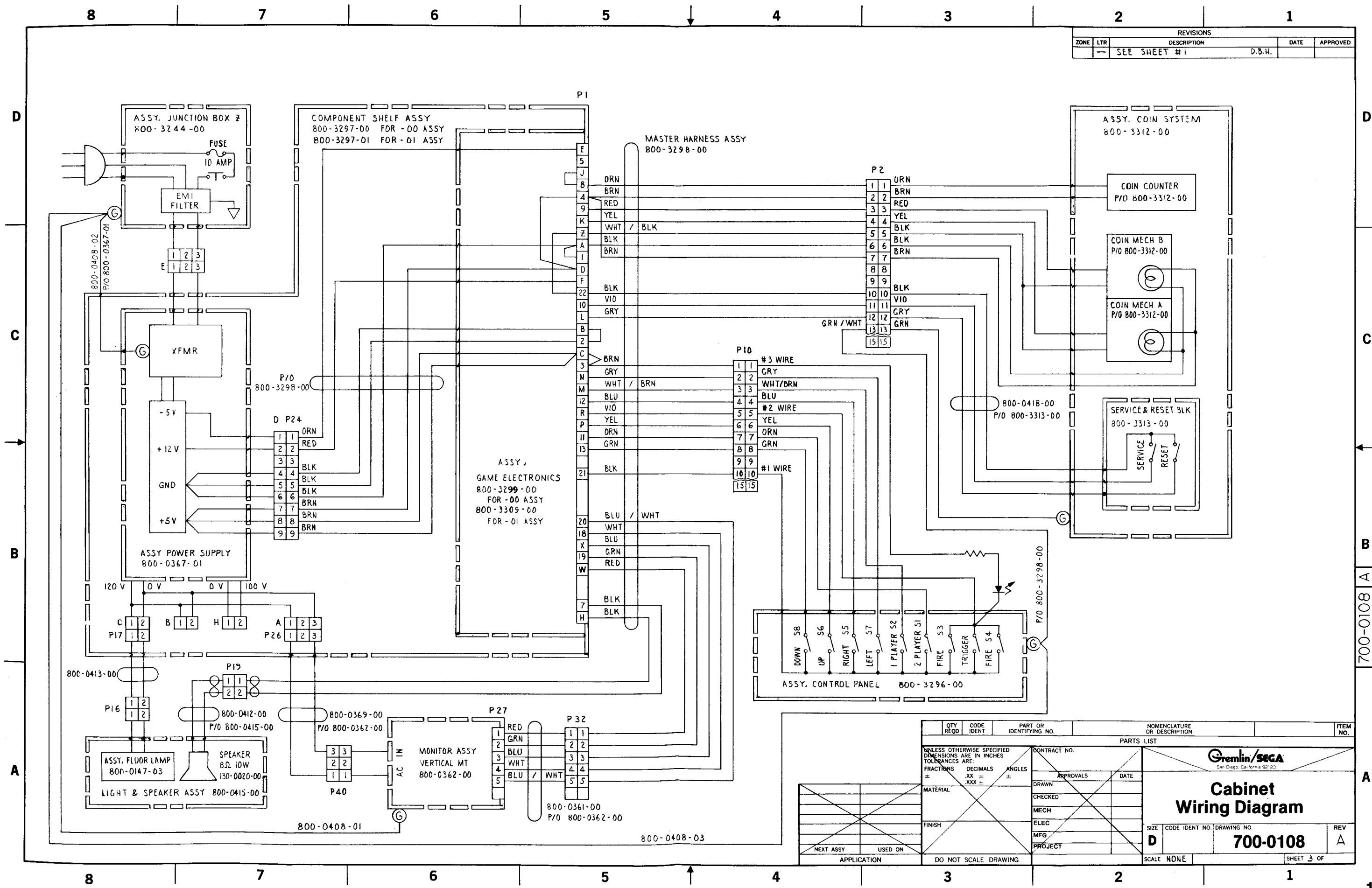


REVISIONS				
ZONE	LTR	DESCRIPTION	DATE	APPROVED
-	-	SEE SHEET #1	D.B.H.	



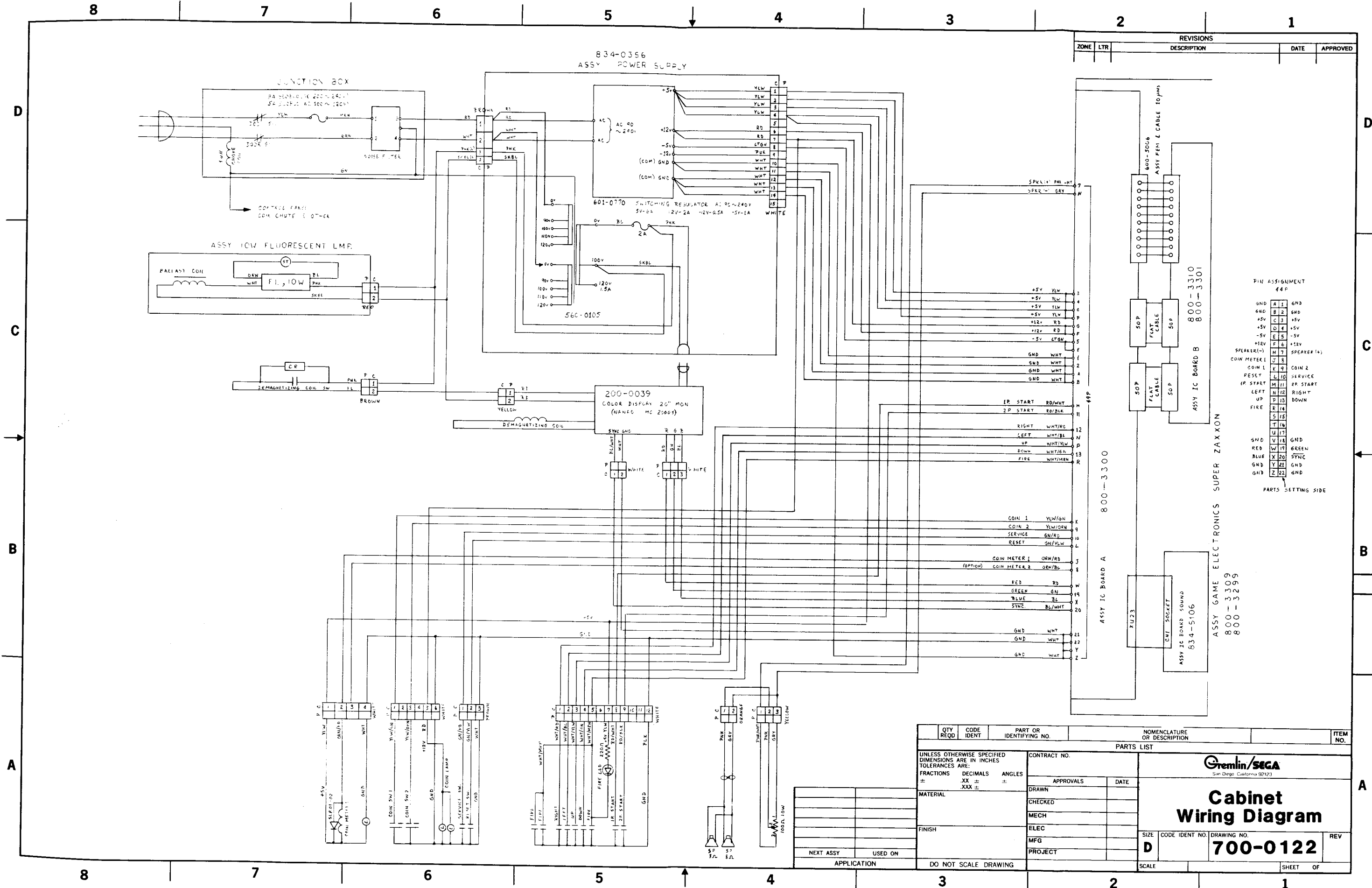
QTY REQD	CODE IDENT	PART OR IDENTIFYING NO.	NOMENCLATURE OR DESCRIPTION	ITEM NO.
PARTS LIST				
UNLESS OTHERWISE SPECIFIED DIMENSIONS ARE IN INCHES TOLERANCES ARE:		CONTRACT NO.		
FRACTIONS	DECIMALS	ANGLES	APPROVALS	DATE
±	.XX ±	±	DRAWN	
	.XXX ±		CHECKED	
MATERIAL		FINISH	MECH	
			ELEC	
			MFG	
			PROJECT	
NEXT ASSY	USED ON	APPLICATION	DO NOT SCALE DRAWING	SCALE NONE

Gremlin/SEGA
San Diego, California 92123

Cabinet Wiring Diagram

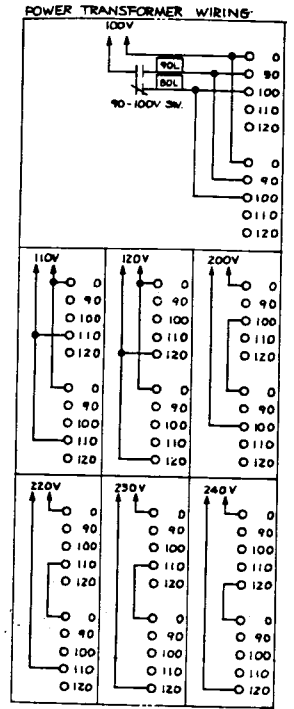
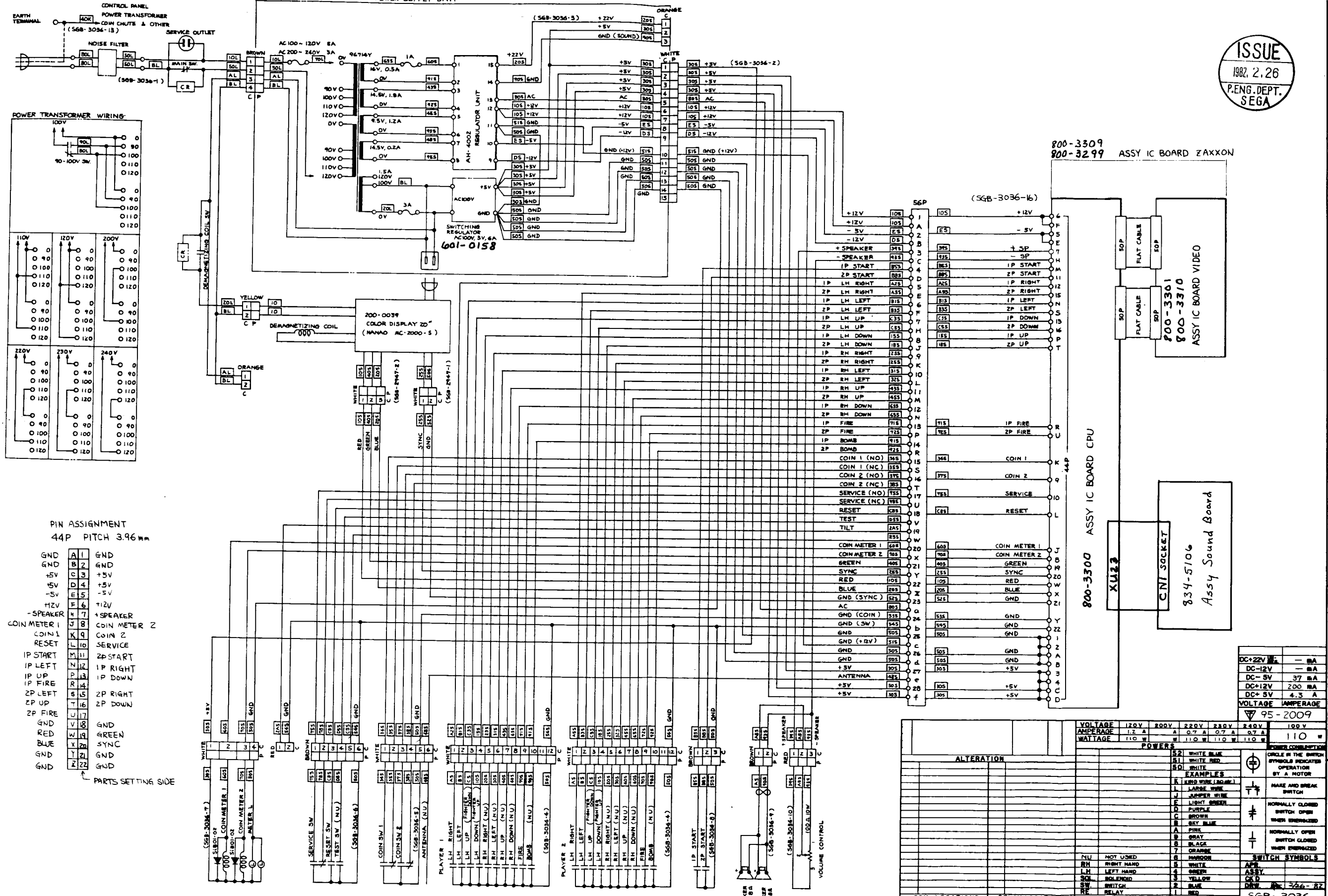
SIZE: **D** CODE IDENT NO.: **700-0108** DRAWING NO.: **700-0108** REV: **A**

SHEET 3 OF 19



834-0340 POWER SUPPLY UNIT

ISSUE
1982.2.26
P.ENG.DEPT.
SEGA



PIN ASSIGNMENT
44P PITCH 3.96mm

GND	A1	GND
GND	B2	GND
+5V	C3	+5V
+5V	D4	+5V
-5V	E5	-5V
-5V	F6	-5V
+12V	G7	+12V
-SPEAKER	H7	+SPEAKER
COIN METER 1	J8	COIN METER 2
COIN 1	K9	COIN 2
RESET	L10	SERVICE
IP START	M11	2P START
IP LEFT	N12	1P RIGHT
IP UP	P13	1P DOWN
IP FIRE	R14	
2P LEFT	S15	2P RIGHT
2P UP	T16	2P DOWN
2P FIRE	U17	
GND	V18	GND
RED	W19	GREEN
BLUE	X20	SYNC
GND	Y21	GND
GND	Z22	GND

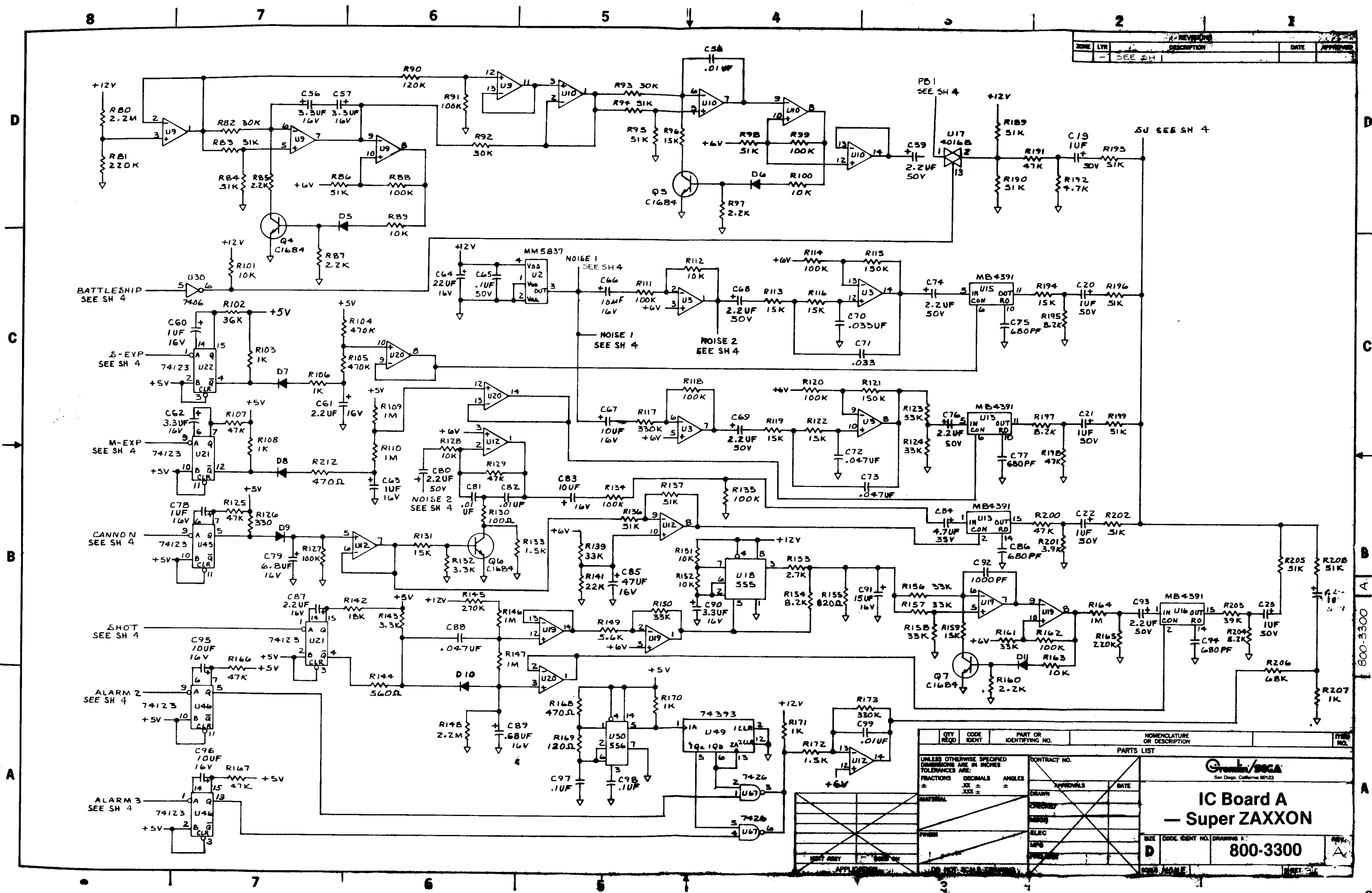
↑ PARTS SETTING SIDE

DC+22V	—	—	—	—	—	—	—
DC-12V	—	—	—	—	—	—	—
DC-5V	37	—	—	—	—	—	—
DC+12V	200	—	—	—	—	—	—
DC+5V	4.3	—	—	—	—	—	—
VOLTAGE		AMPERAGE					
95-2009							

VOLTAGE	120V	200V	220V	230V	240V	100V
AMPERAGE	1.2 A	0.7 A	0.7 A	0.7 A	0.7 A	110 W
WATTAGE	110 W	110 W	110 W	110 W	110 W	110 W

ALTERATION		POWER	POWER CONNECTION
22	WHITE BLUE		ON/OFF IN THE SWITCH
21	WHITE RED		SPINDLE INDICATES
20	WHITE		OPERATION
EXAMPLES			
K	RED WIRE (NO. 1)		MAKE AND BREAK SWITCH
L	LARGE WIRE		
E	JAPANESE WIRE		
F	LIGHT GREEN		NORMALLY CLOSED SWITCH OPEN WHEN ENERGIZED
D	PURPLE		
C	BROWN		NORMALLY OPEN SWITCH CLOSED WHEN ENERGIZED
B	SKY BLUE		
A	PINK		
9	GRAY		SWITCH SYMBOLS
8	BLACK		
7	ORANGE		
6	HARBOR		
5	WHITE		APL
4	GREEN		ASSY.
3	YELLOW		CRD
2	BLUE		SW
1	RED		RELAY

Cabinet Wiring Diagram (AC100~240V) (50/60HZ)

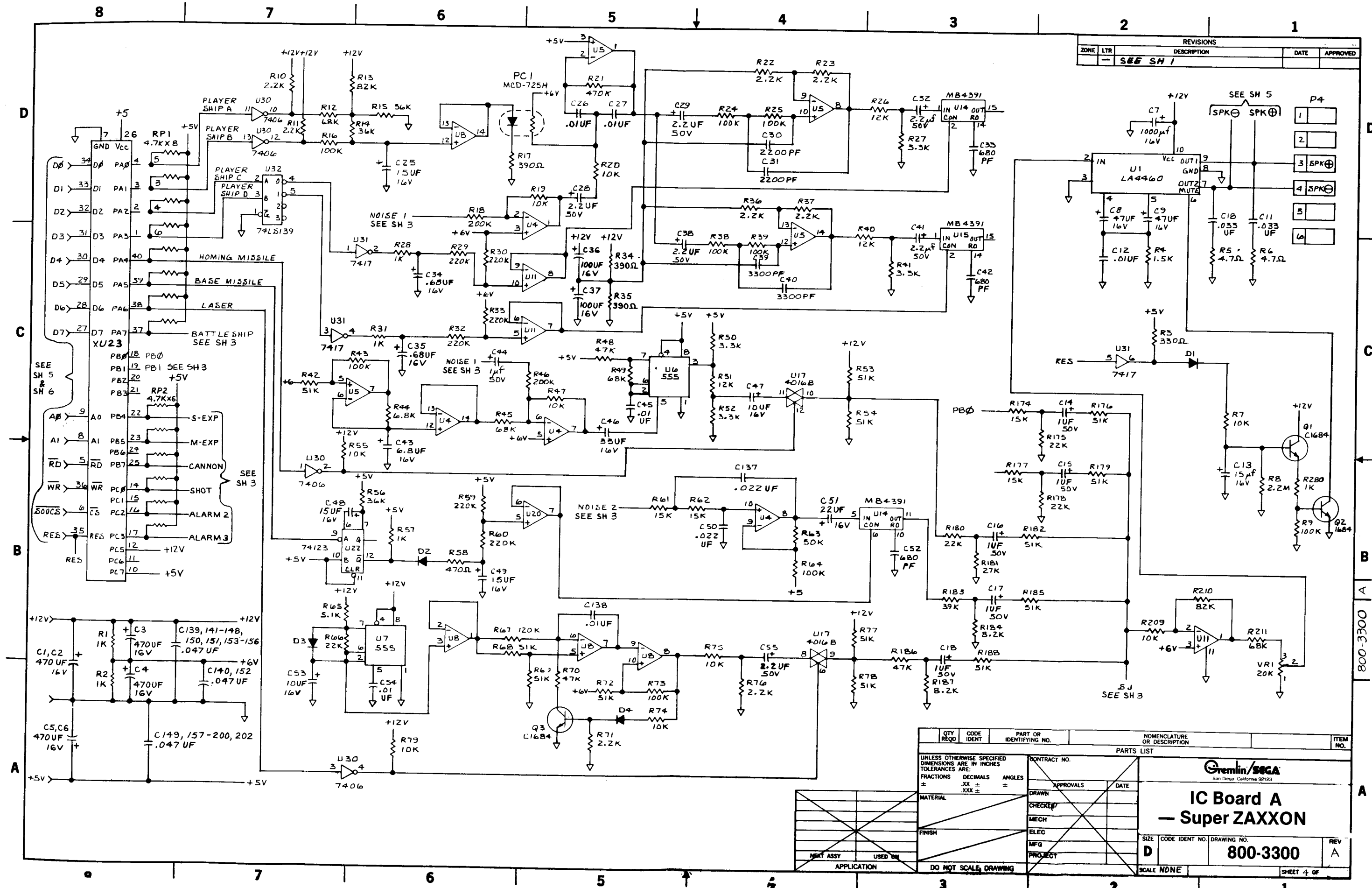


ZONE	LTR	DESCRIPTION	DATE	APPROVED
-	SEE SH			

QTY	REQD	CODE	IDENT	PART OR IDENTIFYING NO.	NOMENCLATURE OR DESCRIPTION	FRIB NO.
UNLESS OTHERWISE SPECIFIED DIMENSIONS ARE IN INCHES TOLERANCES ARE:						
FRACTIONS DECIMALS ANGLES						
± JOX ± ±						
± JOX ± ±						
CONTRACT NO.						
PARTS LIST						
DRAWN						
CHECKED						
ELEC						
LIPS						
PRESBYTER						
APPROVALS						
DATE						
800-3300						

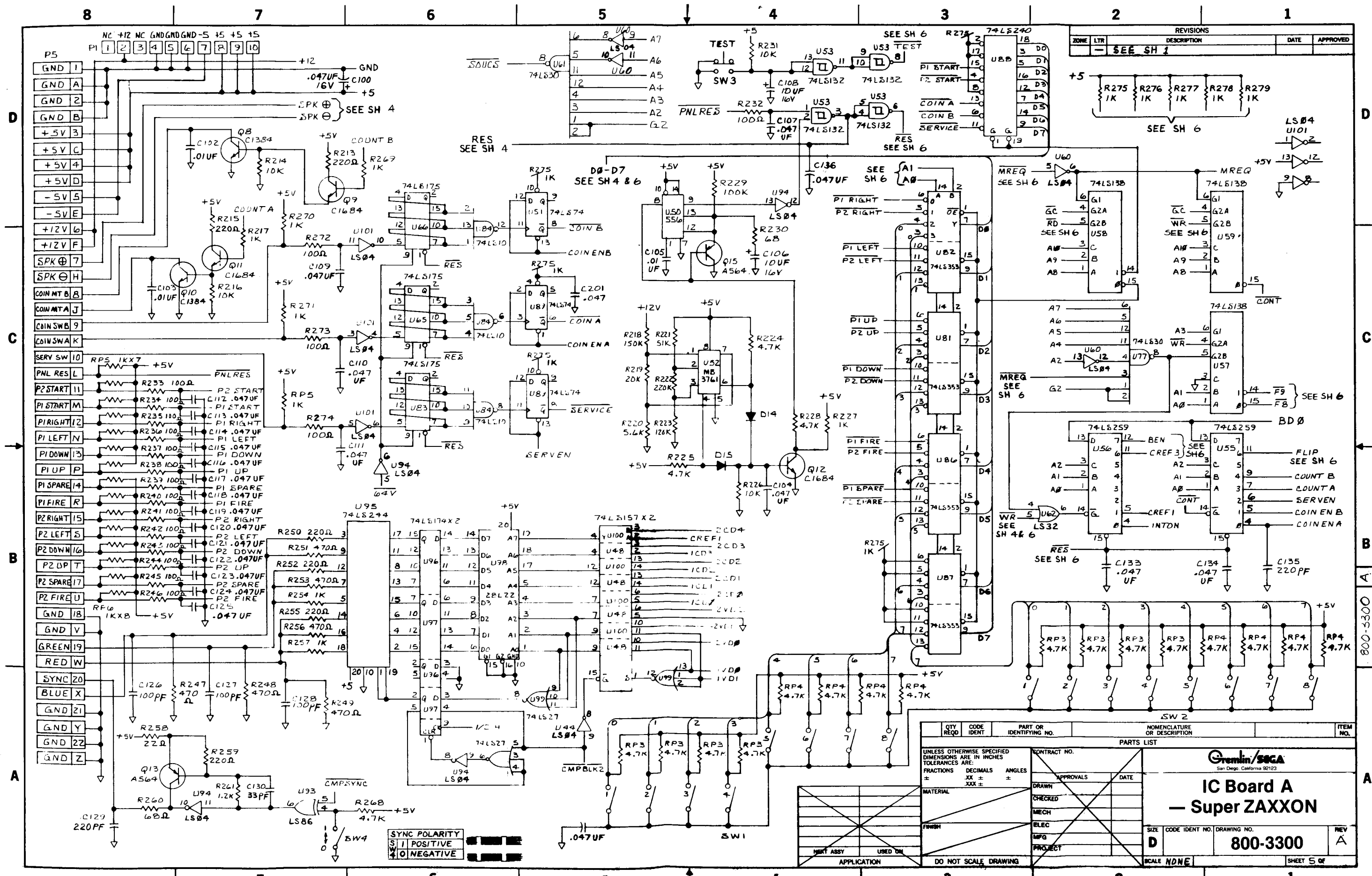
IC Board A
— Super ZAXXON

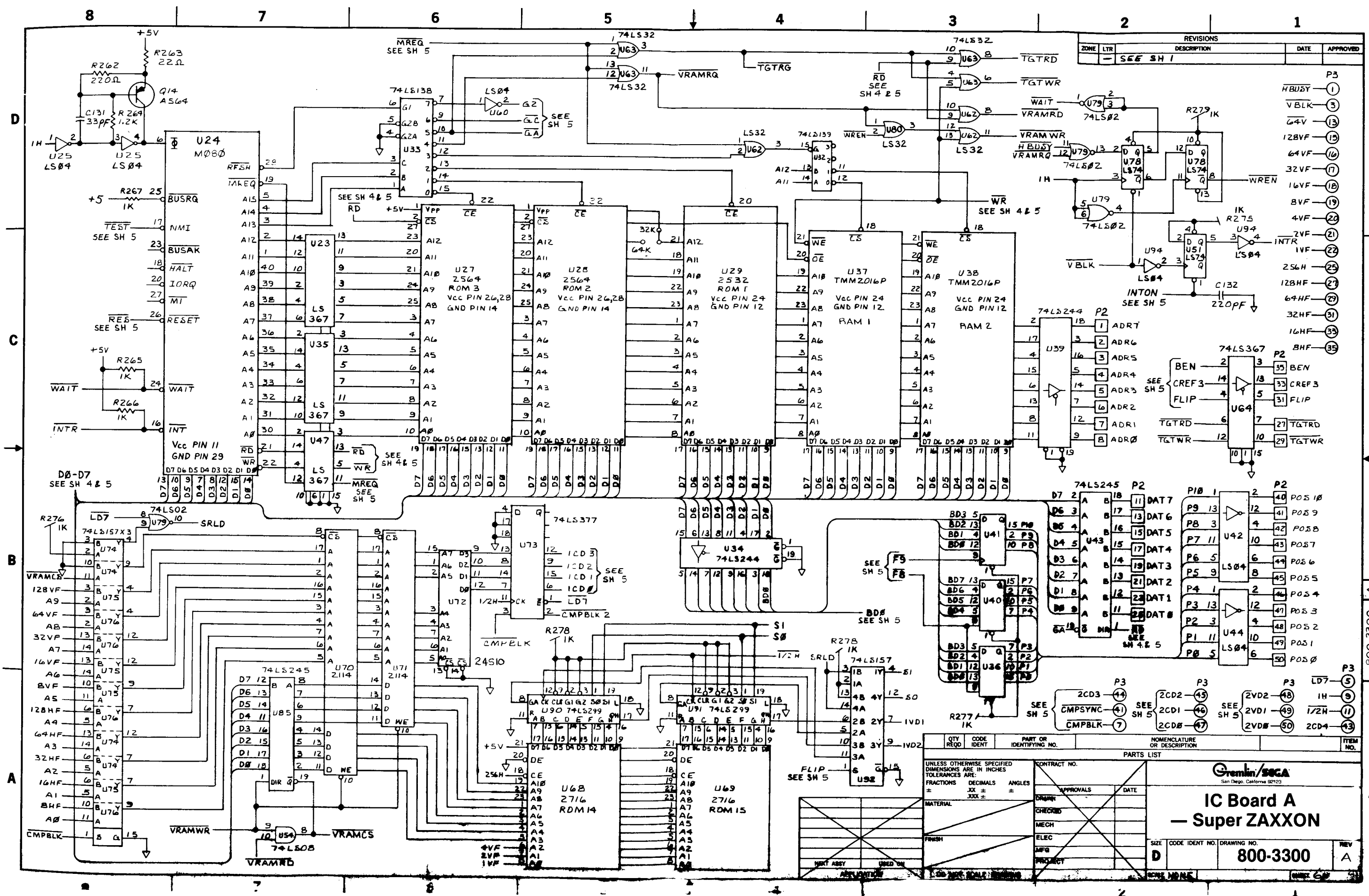
800-3300



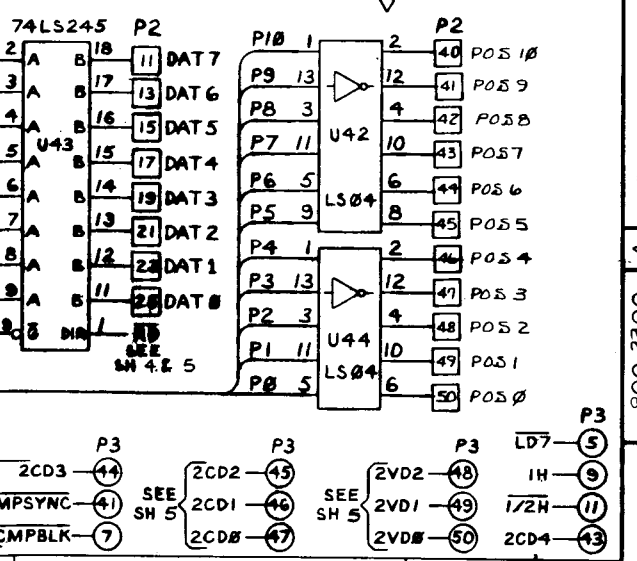
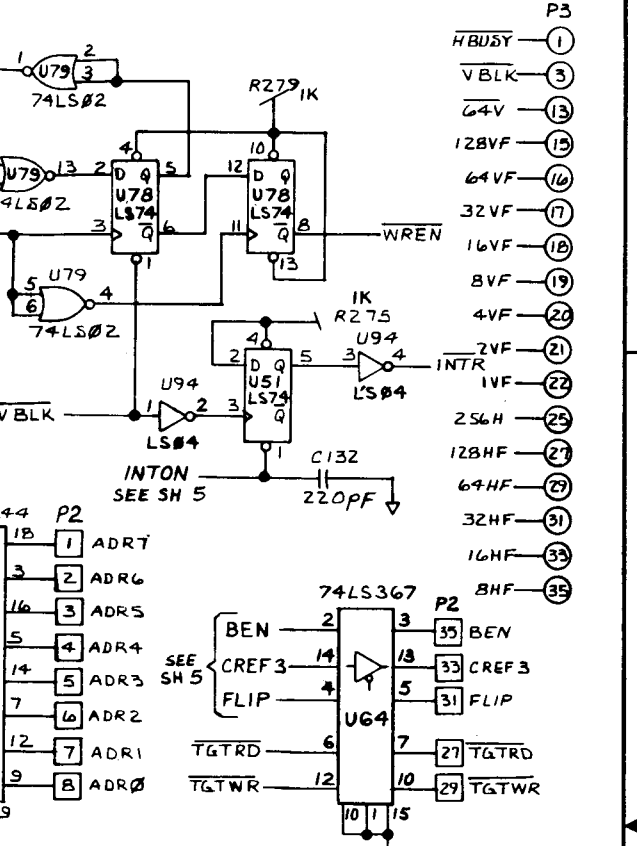
REVISIONS				
ZONE	LTR	DESCRIPTION	DATE	APPROVED
-		SEE SH 1		

QTY REQD	CODE IDENT	PART OR IDENTIFYING NO.	NOMENCLATURE OR DESCRIPTION	ITEM NO.
PARTS LIST				
UNLESS OTHERWISE SPECIFIED DIMENSIONS ARE IN INCHES TOLERANCES ARE:				
FRACTIONS	DECIMALS	ANGLES		
	.XX ±	±		
	.XXX ±			
MATERIAL		CONTRACT NO.		
FINISH		APPROVALS		
NEXT ASSY		DATE		
USED ON		DRAWN		
APPLICATION		CHECKED		
		MECH		
		ELEC		
		MFG		
		PROJECT		
		IC Board A - Super ZAXXON		
SIZE	CODE IDENT NO.	DRAWING NO.	REV	
D		800-3300	A	
SCALE NONE		SHEET 4 OF		





REVISIONS			
ZONE	LTR	DESCRIPTION	DATE
-	SEE SH 1		



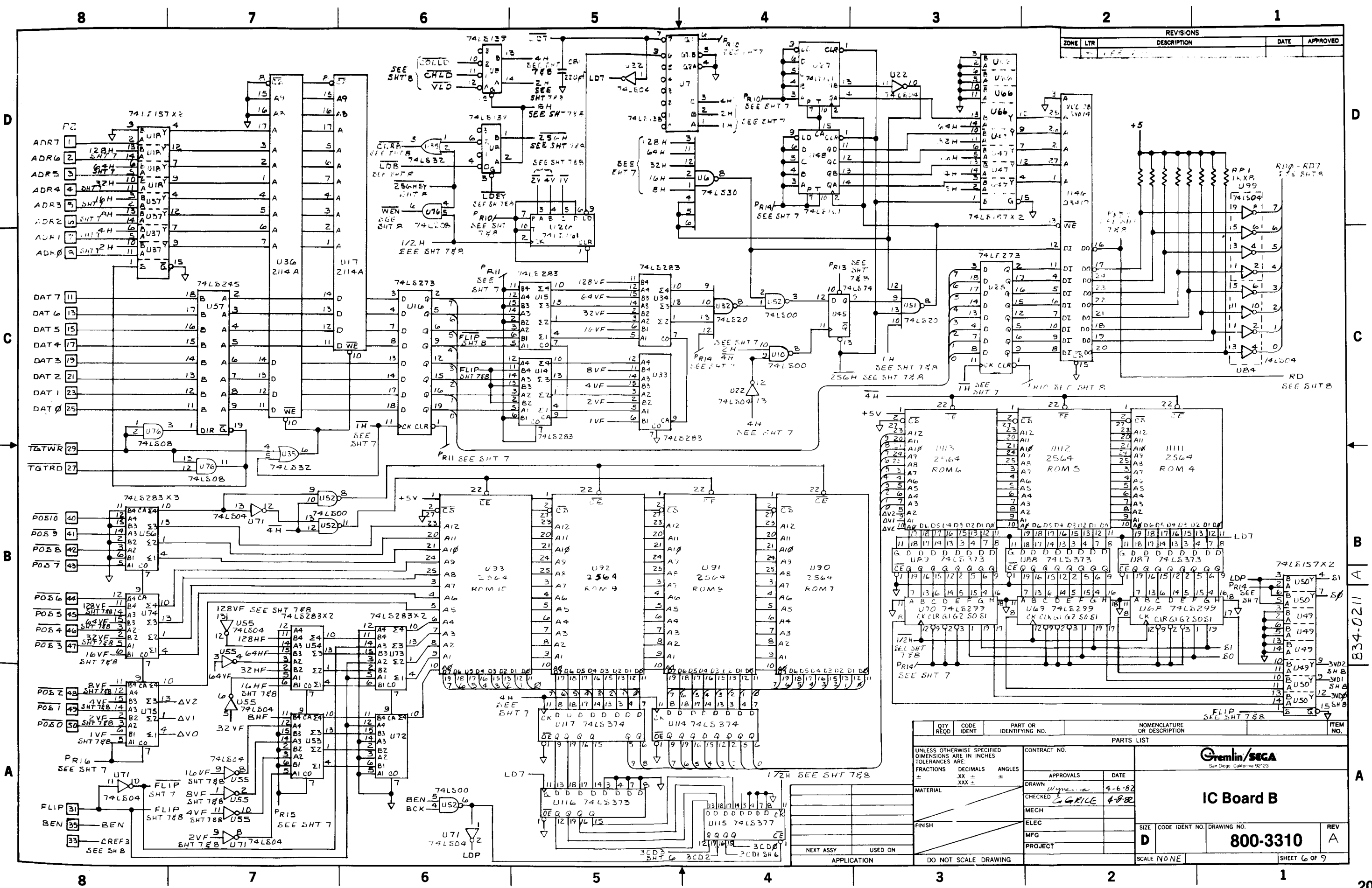
QTY REQD	CODE IDENT	PART OR IDENTIFYING NO.	NOMENCLATURE OR DESCRIPTION	ITEM NO.

PARTS LIST		CONTRACT NO.	
UNLESS OTHERWISE SPECIFIED DIMENSIONS ARE IN INCHES TOLERANCES ARE:			
FRACTIONS	DECIMALS	ANGLES	
±	JX ±	±	
±	±	±	
MATERIAL		APPROVALS	
FINISH		DATE	
NEXT ASSY		USED ON	
APPLICATION		SCALE	

Gremlin/SGCA
San Diego, California 92123

IC Board A - Super ZAXXON

SIZE: **D** CODE IDENT NO.: **800-3300** DRAWING NO.: **800-3300** REV: **A**



ZONE		LTR		REVISIONS	DATE	APPROVED
				DESCRIPTION		

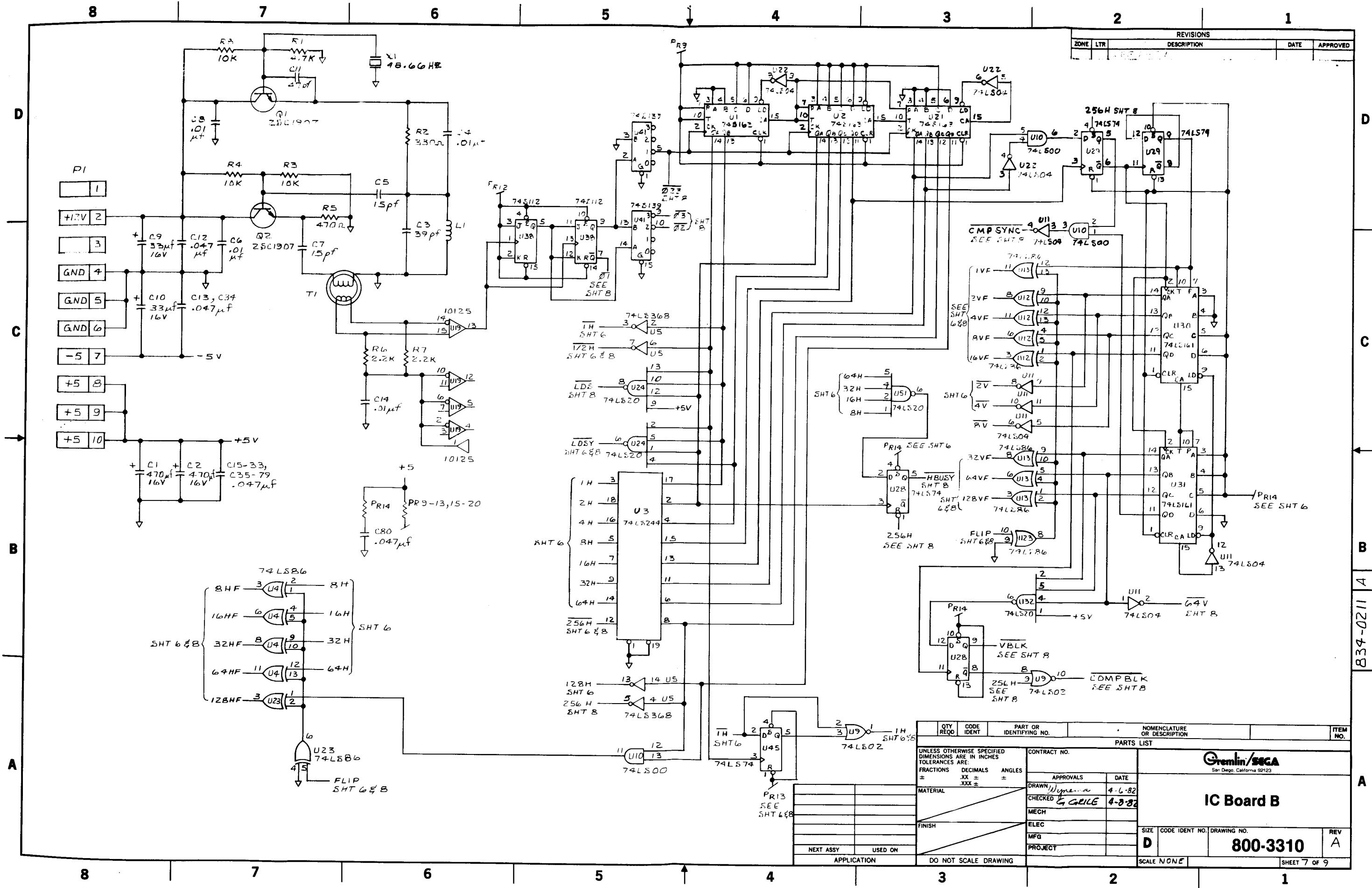
QTY REQD	CODE IDENT	PART OR IDENTIFYING NO.	NOMENCLATURE OR DESCRIPTION	ITEM NO.

PARTS LIST		CONTRACT NO.	
UNLESS OTHERWISE SPECIFIED DIMENSIONS ARE IN INCHES TOLERANCES ARE:			
FRACTIONS	DECIMALS	ANGLES	
=	.XX	=	
	.XXX		

APPROVALS		DATE
DRAWN	WYNE	4-6-82
CHECKED	GARILE	4-8-82
MECH		
ELEC		
MFG		
PROJECT		

IC Board B	
SIZE	CODE IDENT NO. DRAWING NO.
D	800-3310
SCALE	NONE
	SHEET 6 OF 9

834-0211 A

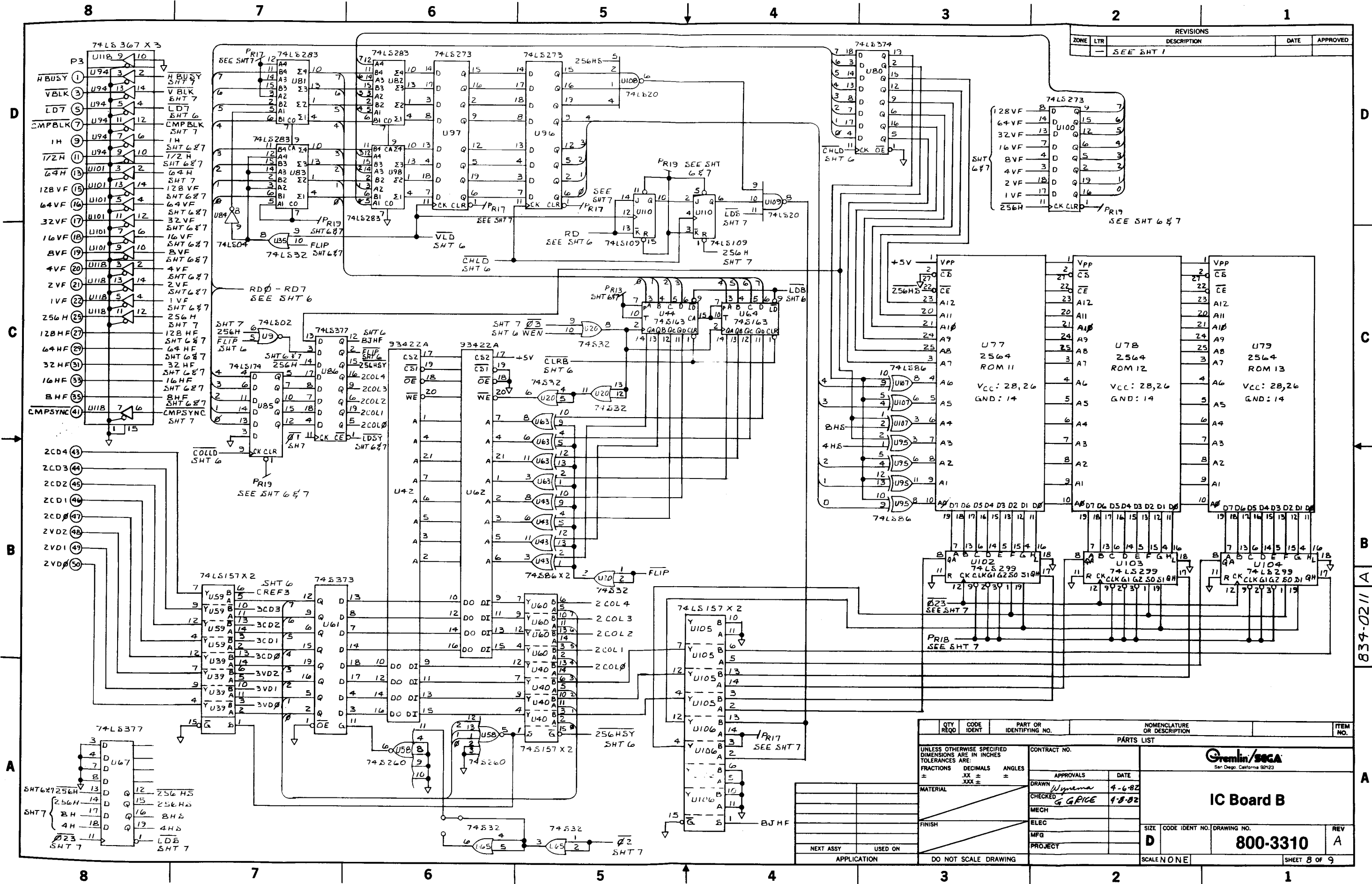


REVISIONS				
ZONE	LTR	DESCRIPTION	DATE	APPROVED

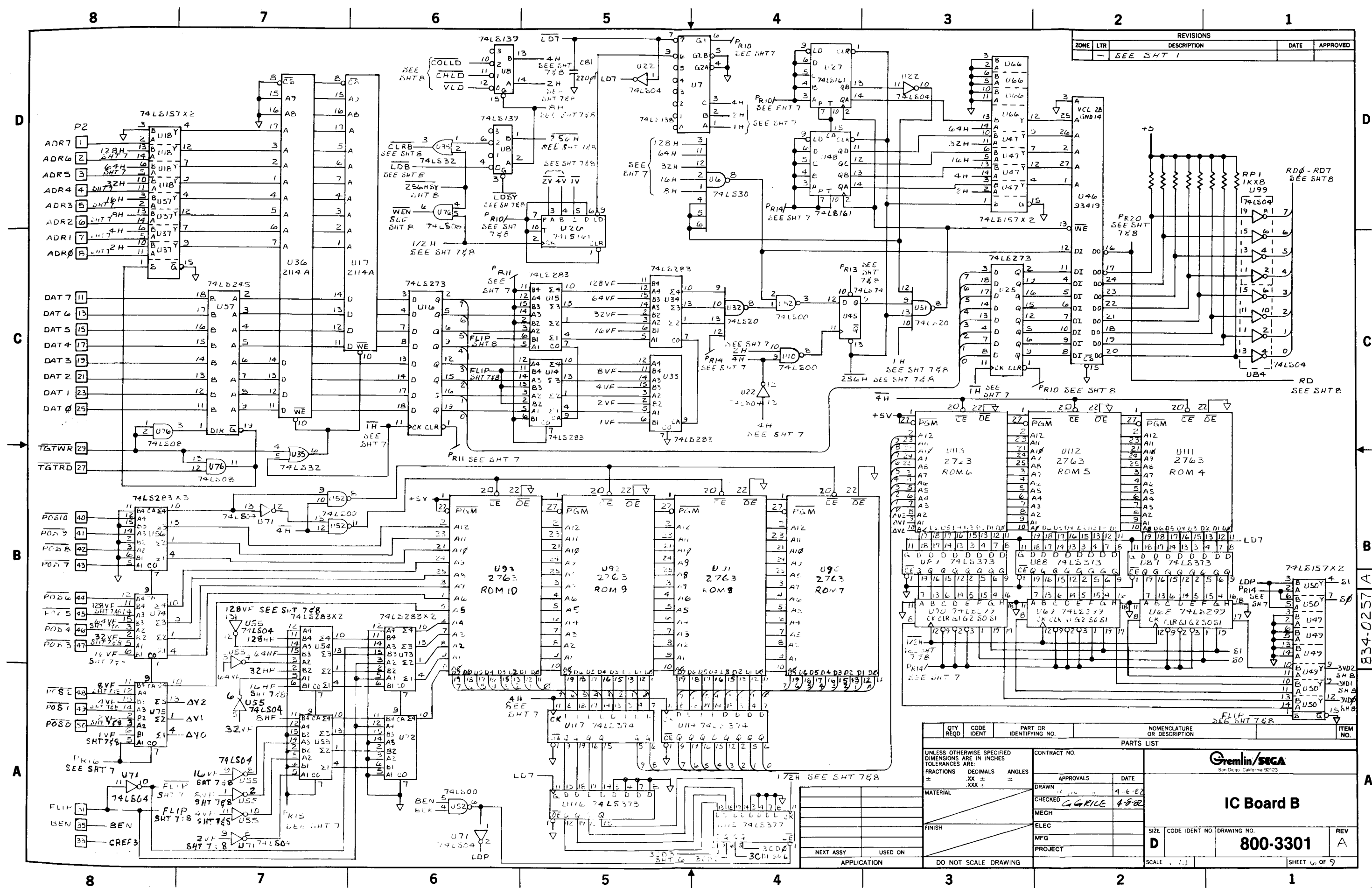
QTY REQD	CODE IDENT	PART OR IDENTIFYING NO.	NOMENCLATURE OR DESCRIPTION	ITEM NO.
UNLESS OTHERWISE SPECIFIED DIMENSIONS ARE IN INCHES TOLERANCES ARE FRACTIONS DECIMALS ANGLES ± .XX ± .XXX ±				
MATERIAL		CONTRACT NO.		
FINISH		APPROVALS DATE		
NEXT ASSY		DRAWN <i>W. J. ...</i> 4-6-82		
USED ON		CHECKED <i>G. GRIFFIN</i> 4-8-82		
APPLICATION		MECH		
DO NOT SCALE DRAWING		ELEC		
		MFG		
		PROJECT		
		SIZE CODE IDENT NO. DRAWING NO.		
		D 800-3310 A		
		SCALE NONE SHEET 7 OF 9		

834-0211 A

ZONE		REVISIONS	DATE	APPROVED
LTR <td>DESCRIPTION <td></td> <td></td> <td></td> </td>	DESCRIPTION <td></td> <td></td> <td></td>			
-	SEE SHT 1			



QTY REQD	CODE IDENT	PART OR IDENTIFYING NO.	NOMENCLATURE OR DESCRIPTION	ITEM NO.						
PARTS LIST										
UNLESS OTHERWISE SPECIFIED DIMENSIONS ARE IN INCHES TOLERANCES ARE:		<table border="1"> <tr> <th colspan="2">APPROVALS</th> <th>DATE</th> </tr> <tr> <td>DRAWN <i>Wynema</i></td> <td>CHECKED <i>G GRICE</i></td> <td>4-6-82</td> </tr> </table>			APPROVALS		DATE	DRAWN <i>Wynema</i>	CHECKED <i>G GRICE</i>	4-6-82
APPROVALS					DATE					
DRAWN <i>Wynema</i>	CHECKED <i>G GRICE</i>	4-6-82								
FRACTIONS	DECIMALS	ANGLES								
±	.XX ±	±								
		XXX ±								
MATERIAL										
FINISH										
CONTRACT NO.		<p style="text-align: center;">Gremlin/SEGA San Diego, California 92123</p> <p style="text-align: center;">IC Board B</p>								
NEXT ASSY		SIZE CODE IDENT NO. DRAWING NO.		REV						
USED ON		D 800-3310		A						
APPLICATION		DO NOT SCALE DRAWING								
		SCALE NONE		SHEET 8 OF 9						



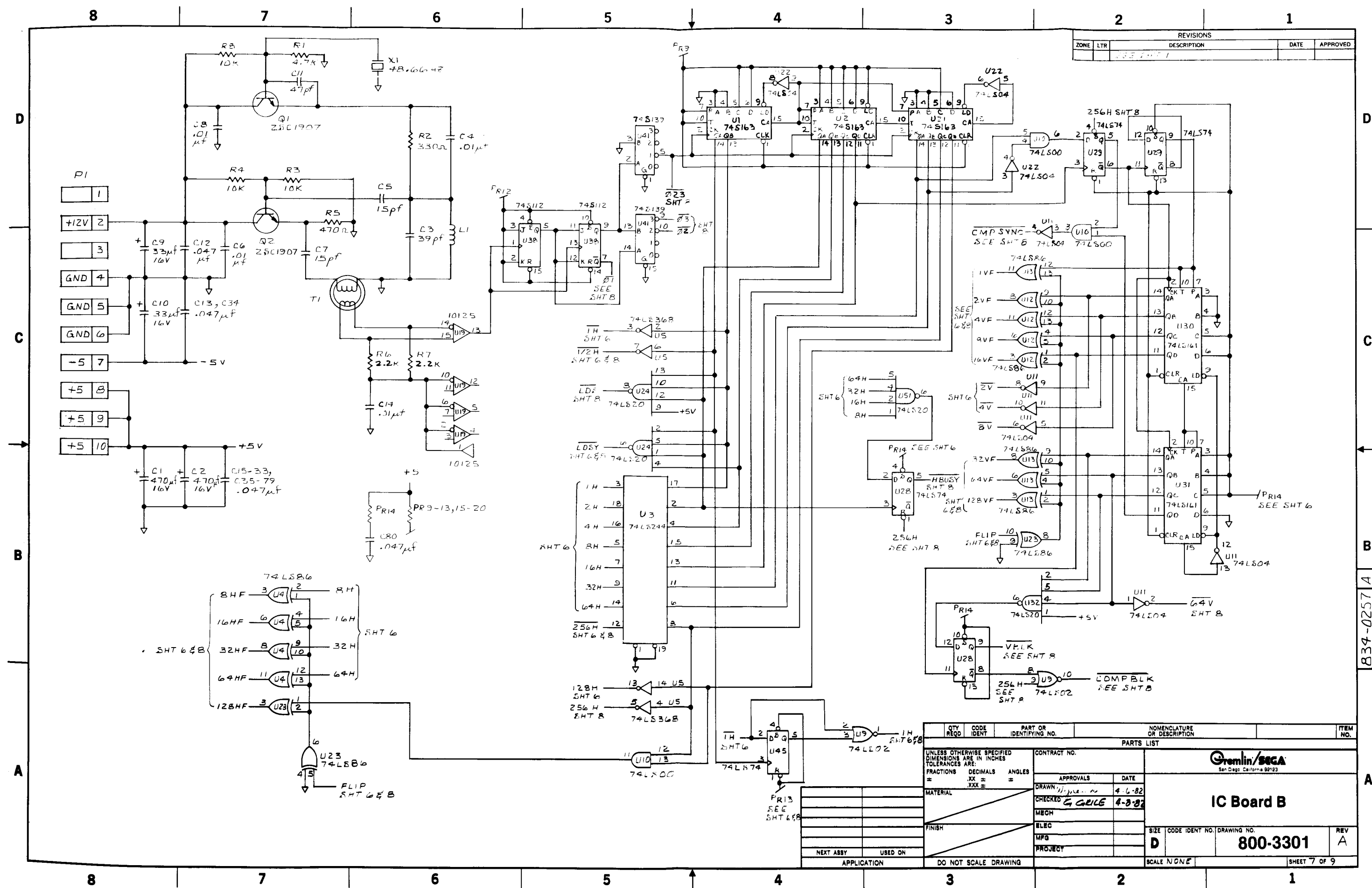
REVISIONS		DATE	APPROVED
ZONE	LTR	DESCRIPTION	
		SEE SHT 1	

QTY REQD	CODE IDENT	PART OR IDENTIFYING NO.	NOMENCLATURE OR DESCRIPTION	ITEM NO.
PARTS LIST				
UNLESS OTHERWISE SPECIFIED DIMENSIONS ARE IN INCHES TOLERANCES ARE:		CONTRACT NO.		
FRACTIONS	DECIMALS	ANGLES	APPROVALS	
±	.XX ±	±	DATE	
MATERIAL		DRAWN		
FINISH		CHECKED		
NEXT ASSY		MECH		
USED ON		ELEC		
APPLICATION		MFG		
DO NOT SCALE DRAWING		PROJECT		
		SIZE		
		CODE IDENT NO.		
		DRAWING NO.		
		REV		
		800-3301		
		A		
		SCALE		
		SHEET 6 OF 9		

Gremlin/SCGA
San Diego, California 92123

IC Board B

800-3301



REVISIONS				
ZONE	LTR	DESCRIPTION	DATE	APPROVED
		SEE SHT 1		

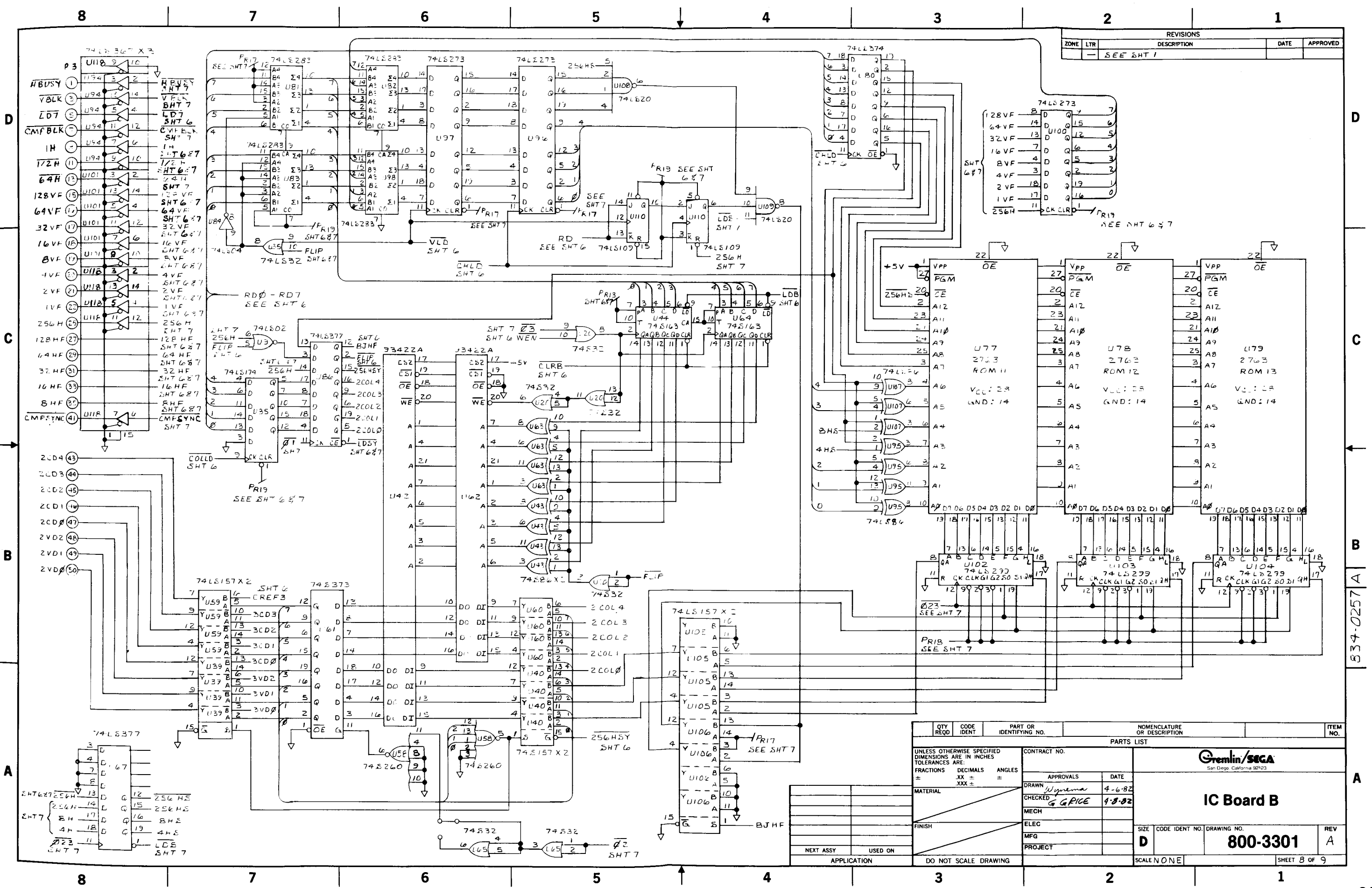
QTY REQD		CODE IDENT	PART OR IDENTIFYING NO.	NOMENCLATURE OR DESCRIPTION	ITEM NO.
UNLESS OTHERWISE SPECIFIED DIMENSIONS ARE IN INCHES TOLERANCES ARE:					
FRACTIONS		DECIMALS	ANGLES		
=		.XX =	=		
=		.XXX =	=		
PARTS LIST					
MATERIAL				CONTRACT NO.	
FINISH				APPROVALS	
NEXT ASSY				DATE	
USED ON				DRAWN	
APPLICATION				CHECKED	
DO NOT SCALE DRAWING				MECH	
				ELEC	
				MFG	
				PROJECT	
				SIZE	
				CODE IDENT NO. DRAWING NO.	
				D	
				800-3301	
				REV	
				A	
				SCALE NONE	
				SHEET 7 OF 9	

Gremlin/SEGA
San Diego, California 92123

IC Board B

800-3301

B34-0257 A



REVISIONS			
ZONE	LTR	DESCRIPTION	DATE
-	SEE SHT 1		

QTY REQD	CODE IDENT	PART OR IDENTIFYING NO.	NOMENCLATURE OR DESCRIPTION	ITEM NO.
PARTS LIST				
UNLESS OTHERWISE SPECIFIED DIMENSIONS ARE IN INCHES TOLERANCES ARE:		CONTRACT NO.		
FRACTIONS	DECIMALS	ANGLES	APPROVALS	
±	±	±	DATE	
±	±	±	DRAWN <i>Wynema</i> 4-6-82	
MATERIAL		CHECKED <i>G. PRICE</i> 4-8-82		
FINISH		ELEC		
NEXT ASSY		MFG		
USED ON		PROJECT		
APPLICATION		SCALE NONE		
DO NOT SCALE DRAWING				

Gremlin/SEGA
San Diego, California 92123

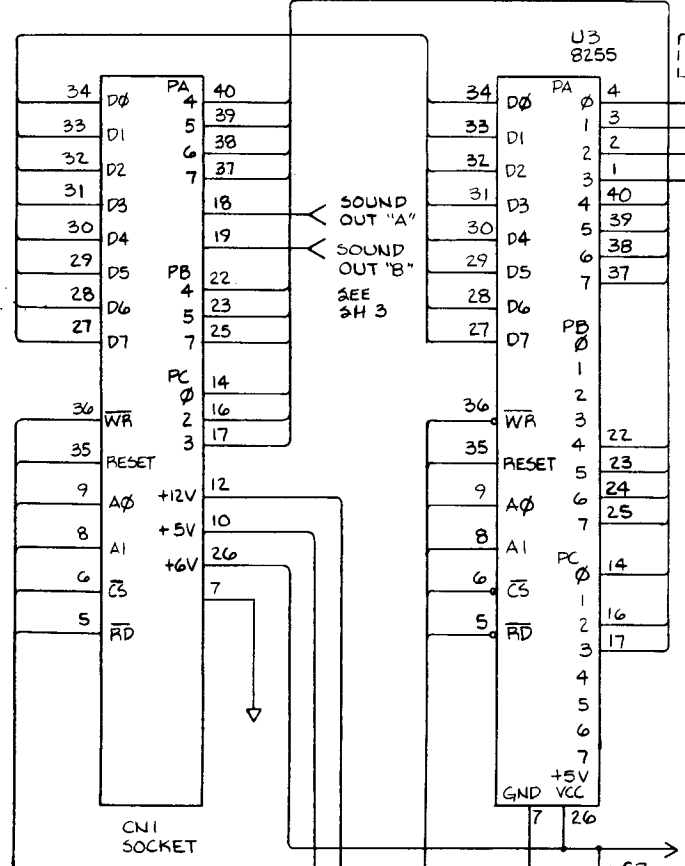
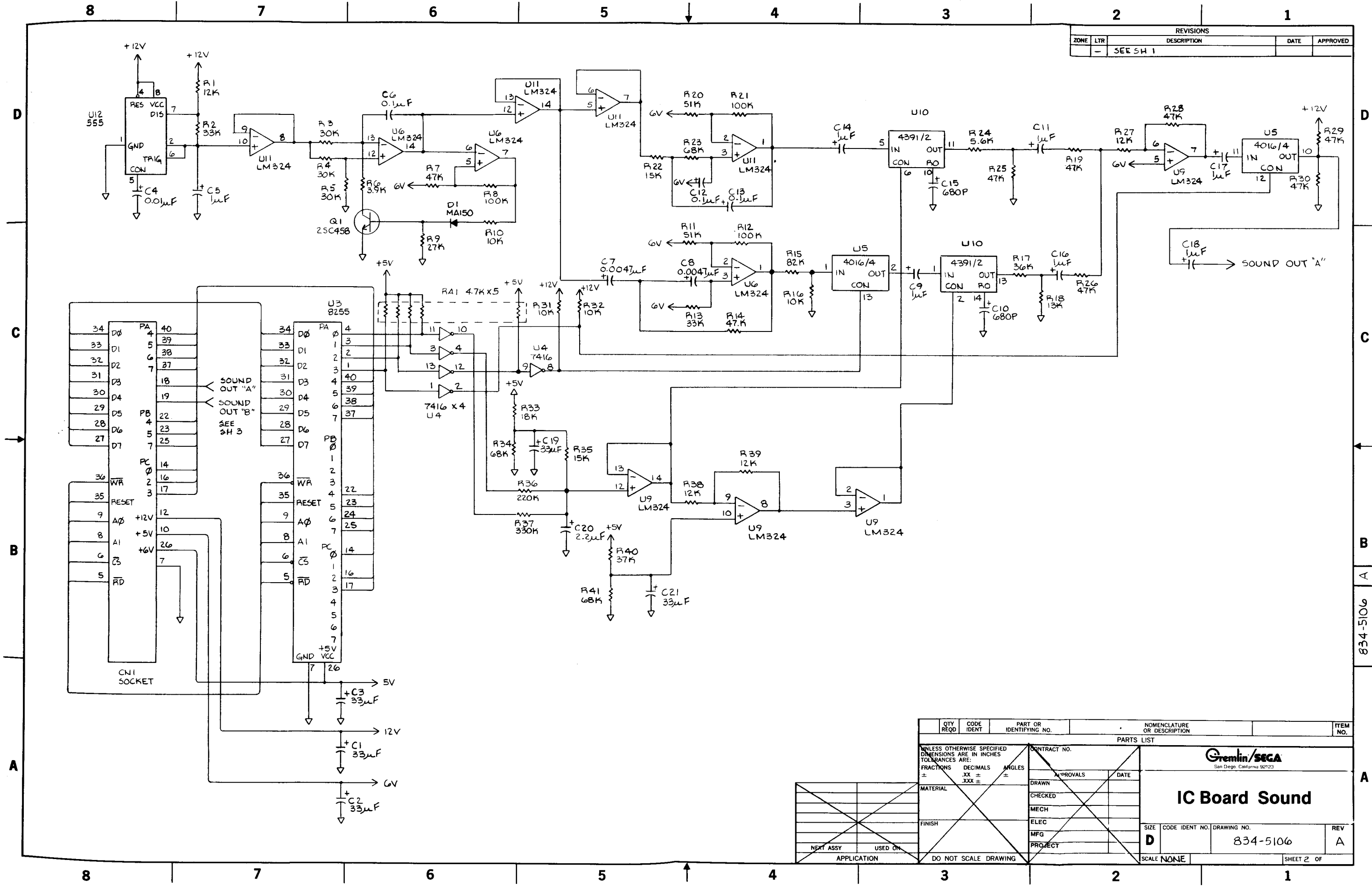
IC Board B

800-3301

REV A

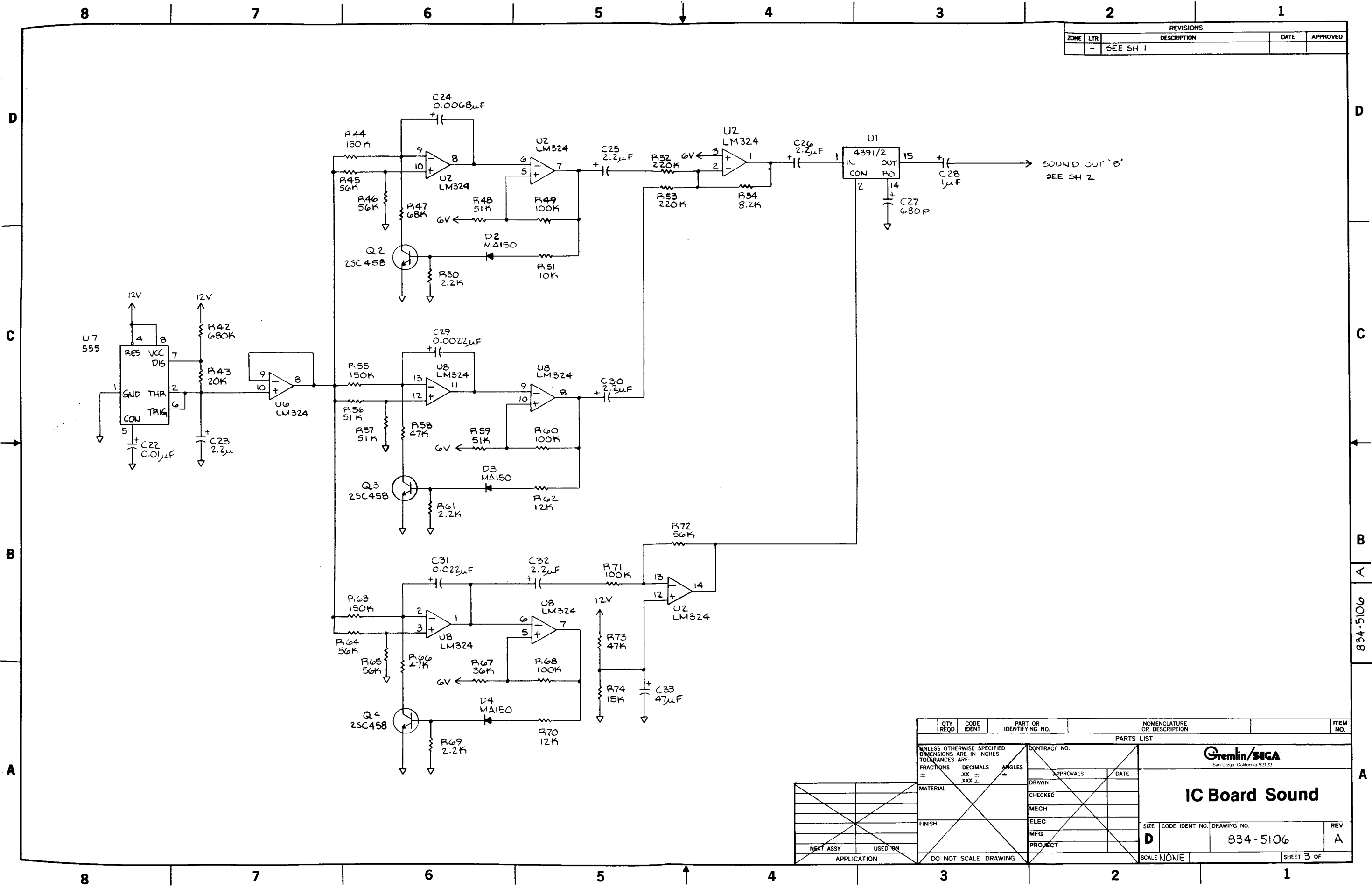
SHEET 8 OF 9

REVISIONS				
ZONE	LTR	DESCRIPTION	DATE	APPROVED
-	-	SEE SH 1		



QTY REQD	CODE IDENT	PART OR IDENTIFYING NO.	NOMENCLATURE OR DESCRIPTION	ITEM NO.
PARTS LIST				
UNLESS OTHERWISE SPECIFIED DIMENSIONS ARE IN INCHES TOLERANCES ARE:				
FRACTIONS	DECIMALS	ANGLES		
±	.XX ±	±		
CONTRACT NO.				
Gremlin/SECA San Diego, California 92123				
IC Board Sound				
DRAWN		APPROVALS		DATE
CHECKED				
MECH				
ELEC				
MFG				
PROJECT				
SIZE	CODE IDENT NO.	DRAWING NO.	REV	
D		834-5106	A	
SCALE	NONE			SHEET 2 OF

REVISIONS				
ZONE	LTR	DESCRIPTION	DATE	APPROVED
-	-	SEE SH 1		



QTY REQD	CODE IDENT	PART OR IDENTIFYING NO.	NOMENCLATURE OR DESCRIPTION	ITEM NO.
PARTS LIST				
UNLESS OTHERWISE SPECIFIED DIMENSIONS ARE IN INCHES TOLERANCES ARE:				
FRACTIONS	DECIMALS	ANGLES		
±	.XX ±	±		
			APPROVALS	DATE
			DRAWN	
			CHECKED	
			MECH	
			ELEC	
			MFG	
			PROJECT	
MATERIAL		CONTRACT NO.		
FINISH				
NEXT ASSY		IC Board Sound		
USED ON		SIZE CODE IDENT NO. DRAWING NO. REV D 834-5106 A		
APPLICATION		SCALE NONE SHEET 3 OF		
DO NOT SCALE DRAWING				

834-5106