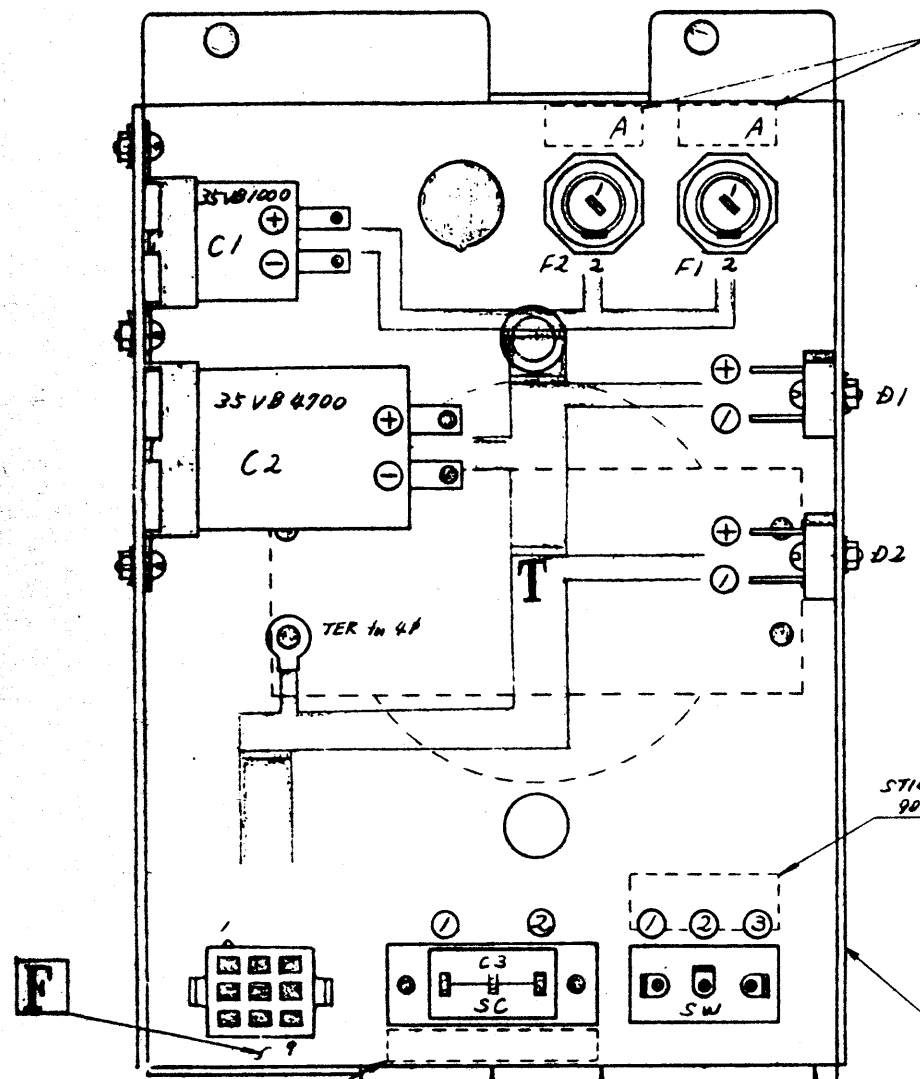
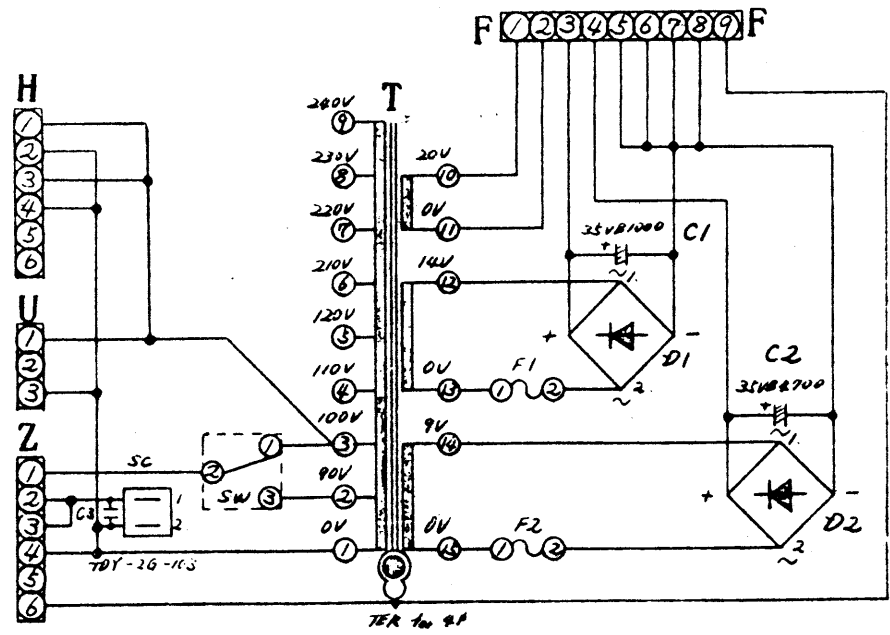
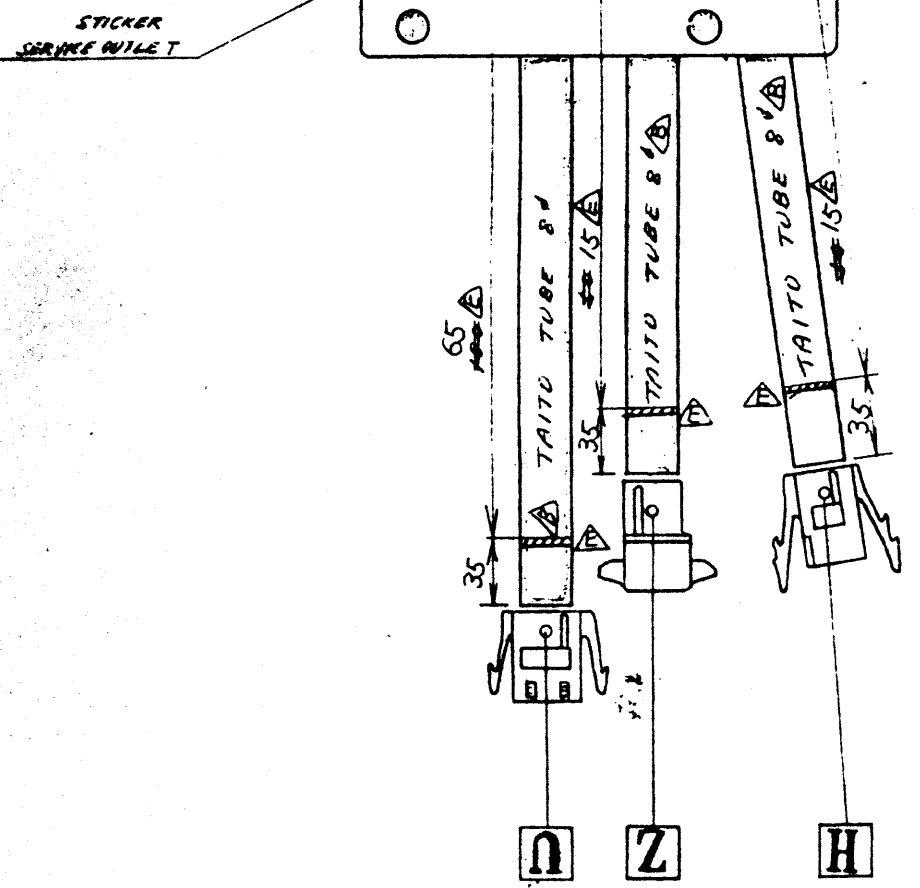


| | | | |
|---|------------|-----|----|
| △ | M-13-31-14 | 1/2 | 今村 |
| △ | M-13-51-57 | 3/4 | 今村 |
| △ | M-13-52 | 3/4 | 工村 |
| △ | M-13-56 | 3/4 | 工村 |



| NO | WIRING | W-C | UL | AWG | DESCRIPTION |
|----|------------------------|------|------|-----|-------------|
| 1 | Z(1) — SW(2) | W-BK | 1007 | #18 | |
| 2 | Z(2) — SC(1) | BR | | | |
| 3 | Z(3) — SC(1) | BR | | | |
| 4 | Z(4) — SC(2) | W | | | |
| 5 | Z(6) — TER — F(9) | G | | | EARTH |
| 6 | SC(2) — H(2) | W | | | AC 0V |
| | | H(4) | W | | |
| 7 | T(1) — SC(2) | W | | | AC 90V |
| | | U(3) | W | | |
| 8 | T(2) — SW(3) | GY | | | AC 100V |
| 9 | T(3) — SW(1) | BR | | | |
| | | U(1) | BR | | |
| 10 | SW(1) — H(1) | BR | | | AC 20V |
| | | H(3) | BR | | |
| 11 | T(10) — F(1) | O | | | AC 14V |
| 12 | T(11) — F(2) | O | | | |
| 13 | T(12) — D1(1) | BL | | | AC 9V |
| 14 | T(13) — F1(1) | BL | | | |
| 15 | T(14) — D2(1) | R | | | |
| 16 | T(15) — F2(1) | R | | | |
| 17 | F1(2) — D1(2) | BL | | | |
| 18 | F2(2) — D2(2) | R | | | |
| 19 | D1(+) — C1(+) — F(3) | GY | | | +18V |
| 20 | D1(-) — C1(-) — F(5,6) | BK | | | GND |
| 21 | D2(+) — C2(+) — F(4) | Y | | | +13V |
| 22 | D2(-) — C2(-) — F(7,8) | DK | | | GND |
| 23 | C1(-) — C2(-) | BK | 1007 | #18 | |
| 24 | SC(1) — SC(2) | | | | |

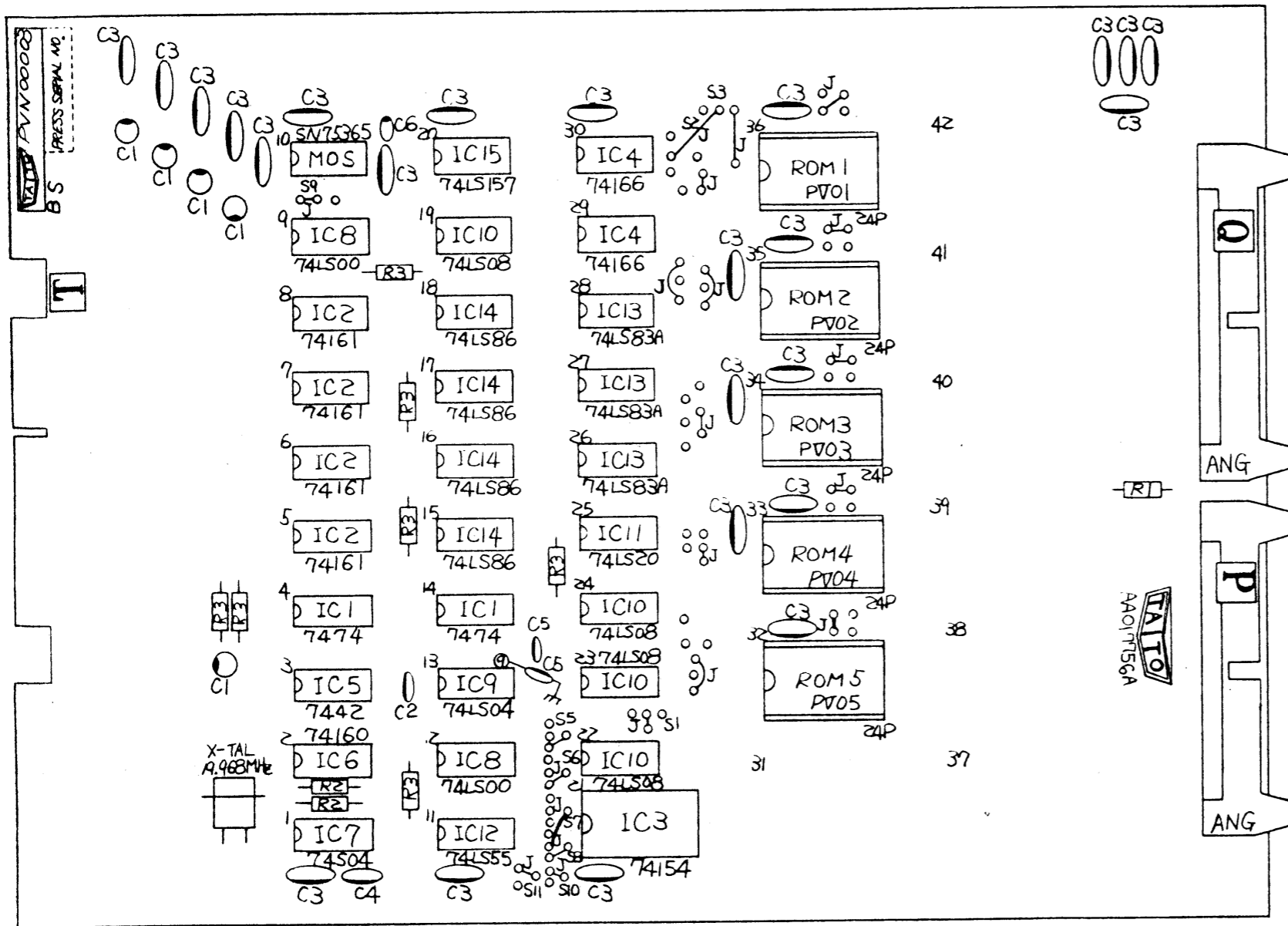
| NO | SYN | PART OR IDENTIFYING NO. | NOMENCLATURE OR DESCRIPTION | QTY | BY |
|----|------|-------------------------|-------------------------------|-----|----|
| 49 | △ | | FLANGING NUT M3 | 6 | F |
| 49 | △ | | FLANGING NUT M4 | 4 | F |
| 49 | △ | AA069599 | TAITO TUBE 8" | 3 | F |
| 47 | △ | AA069532 | CONVEX CU-100 | 1 | F |
| 46 | △ | 18506 | GROMMET M6-79E | 1 | F |
| 45 | | 17635 | CONNECTOR STICKER H | 1 | F |
| 44 | H | 55790 | SOCKET PIN | 4 | F |
| 43 | | 55562 | MATE-N-LOK SOCKET 6P WHITE | 1 | F |
| 42 | | 17683 | CONNECTOR STICKER Z | 1 | F |
| 41 | Z | 55789 | PLUG PIN | 5 | F |
| 40 | | 55561 | MATE-N-LOK PLUG 6P WHITE | 1 | F |
| 39 | | 17629 | CONNECTOR STICKER F | 1 | F |
| 38 | F | 55790 | SOCKET PIN | 9 | F |
| 37 | | 55582 | MATE-N-LOK SOCKET 9P WHITE | 1 | F |
| 36 | | 17668 | CONNECTOR STICKER U | 1 | F |
| 35 | U | 55790 | SOCKET PIN | 2 | F |
| 34 | | AA055522 | MATE-N-LOK SOCKET 3P WHITE | 1 | F |
| 33 | △ | | NUT M3 | 2 | F |
| 32 | △ | | LOCK WASHER 3M | 2 | F |
| 31 | | | PLAIN WASHER 3M | 2 | F |
| 30 | | | PAN HD SCREW M3 X 8 | 2 | F |
| 29 | C2 | AA041175 | CAP. ELECTROLYTIC 35LASN 4700 | 1 | F |
| 28 | △ | | NUT M3 | 2 | F |
| 27 | △ | | LOCK WASHER 3M | 2 | F |
| 26 | | | PLAIN WASHER 3M | 2 | F |
| 25 | | | PAN HD SCREW M3 X 8 | 2 | F |
| 24 | C1 | AA041172 | CAP. ELECTROLYTIC 35LASN 1000 | 1 | F |
| 23 | △ | | NUT M3 | 2 | F |
| 22 | △ | | LOCK WASHER 3M | 2 | F |
| 21 | | | PAN HD SCREW M3 X 14 | 2 | F |
| 20 | D1.2 | AA014029 | RECTIFIER 54VB | 2 | F |
| 19 | | AA017 | FUSE STICKER | 1 | F |
| 18 | | 17 | FUSE STICKER | 1 | F |
| 17 | F2 | 63 | FUSE | 1 | F |
| 16 | F1 | 63 | FUSE | 1 | F |
| 15 | | 55700 | FUSE HOLDER F4000 | 2 | F |
| 14 | | 17502 | SERVICE OUTLET STICKER | 1 | F |
| 13 | | AA017711 | STICKER 90V-100V | 1 | F |
| 12 | | | PAN HD SCREW M3 X 8 | 2 | F |
| 11 | C3 | AA041293 | CAP. FILM TDY-26-103 | 1 | F |
| 10 | SC | AA055788 | AC SOCKET Box-TYPAL | 1 | F |
| 9 | SW | AA052535 | TOGGLE SWITCH 5-2A | 1 | F |
| 8 | | | NUT M4 | 1 | F |
| 7 | TER | AA056504 | ROUND-TYPE TERMINAL for 4P | 1 | F |
| 6 | | | PLAIN WASHER 4M | 4 | F |
| 5 | △ | | PAN HD SCREW M4 X 20 | 4 | F |
| 4 | T | AA057575 | TRANSFORMER | 1 | F |
| 3 | △ | | NUT M4 | 2 | F |
| 2 | △ | AA061025 | PLAIN WASHER 4.5 X 10 X 2 | 2 | F |
| 1 | | AA013610 | TRANSFORMER MOUNTING BOX | 1 | F |



NOTES) COVER THE AC 100(V) LINE WITH INSULATION & TUBING.
 PAINT-LOCK ALL SCREWS AND NUTS, (EXCEPT WING NUTS AND WOOD SCREWS.)

全てのビス、ナット類にネジロックを、但し蝶ナット、木ネジ類は除く。 T.T. SPACE INSEADER COLOR

| THIRD ANGLE PROJECTION | | PARTS LIST | |
|--|-----------------------|-----------------------------------|--|
| UNLESS OTHERWISE SPECIFIED DIMENSIONS ARE IN MILLIMETERS | DESIGN: [Signature] | TAITO CORPORATION. | |
| GENERAL DIMS: + | CHECK: [Signature] | NAME: CV-TRANSFORMER MOUNTING Box | |
| ASSEMBLY: - | APPROVED: [Signature] | SIZE: ASSY | |
| NATIONAL: + | APPROVED: [Signature] | SCALE: CTN00007 | |
| FINISH: [Signature] | APPROVED: [Signature] | DO NOT SCALE DRAWING | |



| ITEM NO | SYM | PART NO IDENTIFYING NO | NOMENCLATURE OR DESCRIPTION | QTY REQD |
|---------|-------|------------------------|-------------------------------|----------|
| 47 | | | | |
| 46 | | | | |
| 45 | | | | |
| 44 | | | | |
| 43 | | | | |
| 42 | | | | |
| 41 | | | | |
| 40 | J | | TINNED COPPER WIRE 1φ | 200 |
| 39 | | | | |
| 38 | R3 | AAT 51765 | RES. CARBON, 1K OHM 1/4W 5% 7 | |
| 37 | R2 | 51753 | " " 330 " " 2 | |
| 36 | R1 | 51733 | RES. CARBON, 47 OHM 1/4W 5% 1 | |
| 35 | C6 | 41425 | CAP., TANTALUM, 55G25-1F 1 | |
| 34 | C5 | 41330 | CAP., CERAMIC, 330PF 2 | |
| 33 | C4 | 41324 | CAP., CERAMIC, 180PF 1 | |
| 32 | C3 | 41244 | CAP., FILM, TDY-1H-104 24 | |
| 31 | C2 | 41232 | CAP., FILM, TDY-1H-102 1 | |
| 30 | C1 | AAT 41032 | CAP., ELECTROLYTIC, 25V8-10 5 | |
| 29 | ROM5 | PVO 90005 | P-ROM, PVO5 1 | |
| 28 | ROM4 | 90004 | " " PVO4 1 | |
| 27 | ROM3 | 90003 | " " PVO3 1 | |
| 26 | ROM2 | 90002 | " " PVO2 1 | |
| 25 | ROM1 | PVO 90001 | P-ROM, PVO1 1 | |
| 24 | MOS | AAT 35002 | MOS DRIVER, SN75365 1 | |
| 23 | IC15 | 33112 | L S I.C, 74LS157 1 | |
| 22 | IC14 | 33062 | " " 74LS86 4 | |
| 21 | IC13 | 33059 | " " 74LS83A 3 | |
| 20 | IC12 | 33043 | " " 74LS55 1 | |
| 19 | IC11 | 33019 | " " 74LS20 1 | |
| 18 | IC10 | 33009 | " " 74LS08 4 | |
| 17 | IC9 | 33005 | " " 74LS04 1 | |
| 16 | IC8 | 33001 | L S I.C, 74LS00 2 | |
| 15 | IC7 | 32096 | TTL I.C, 74S04 1 | |
| 14 | IC6 | 32086 | " " 74160 1 | |
| 13 | IC5 | 32039 | " " 7442 1 | |
| 12 | IC4 | 32028 | " " 74166 2 | |
| 11 | IC3 | 32027 | " " 74154 1 | |
| 10 | IC2 | 32018 | " " 74161 4 | |
| 9 | IC1 | AAT 32011 | TTL I.C, 7474 2 | |
| 8 | X-TAL | AAO 69539 | X-TAL, 19.968 MHz 1 | |
| 7 | 24P | 55787 | I C SOCKET, 24P 5 | |
| 6 | ANG | 55154 | ANGLE PIN HEADER, 15-50PA 2 | |
| 5 | T | 17665 | CONNECTOR STICKER, T 1 | |
| 4 | Q | 17656 | " " Q 1 | |
| 3 | P | AAO 17653 | CONNECTOR STICKER, P 1 | |
| 2 | B.S | PVO 700011 | P.C BOARD STICKER(B) 1 | |
| 1 | | AAO 17756A | C.P.U.-P.C BOARD (A) 1 | |

NOTE-1. CAP., FILM & CERAMIC

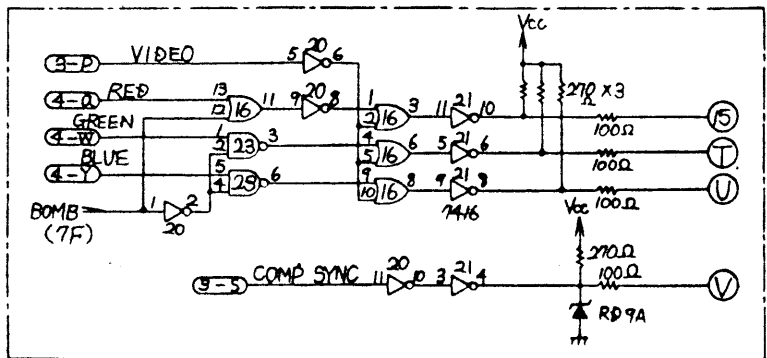
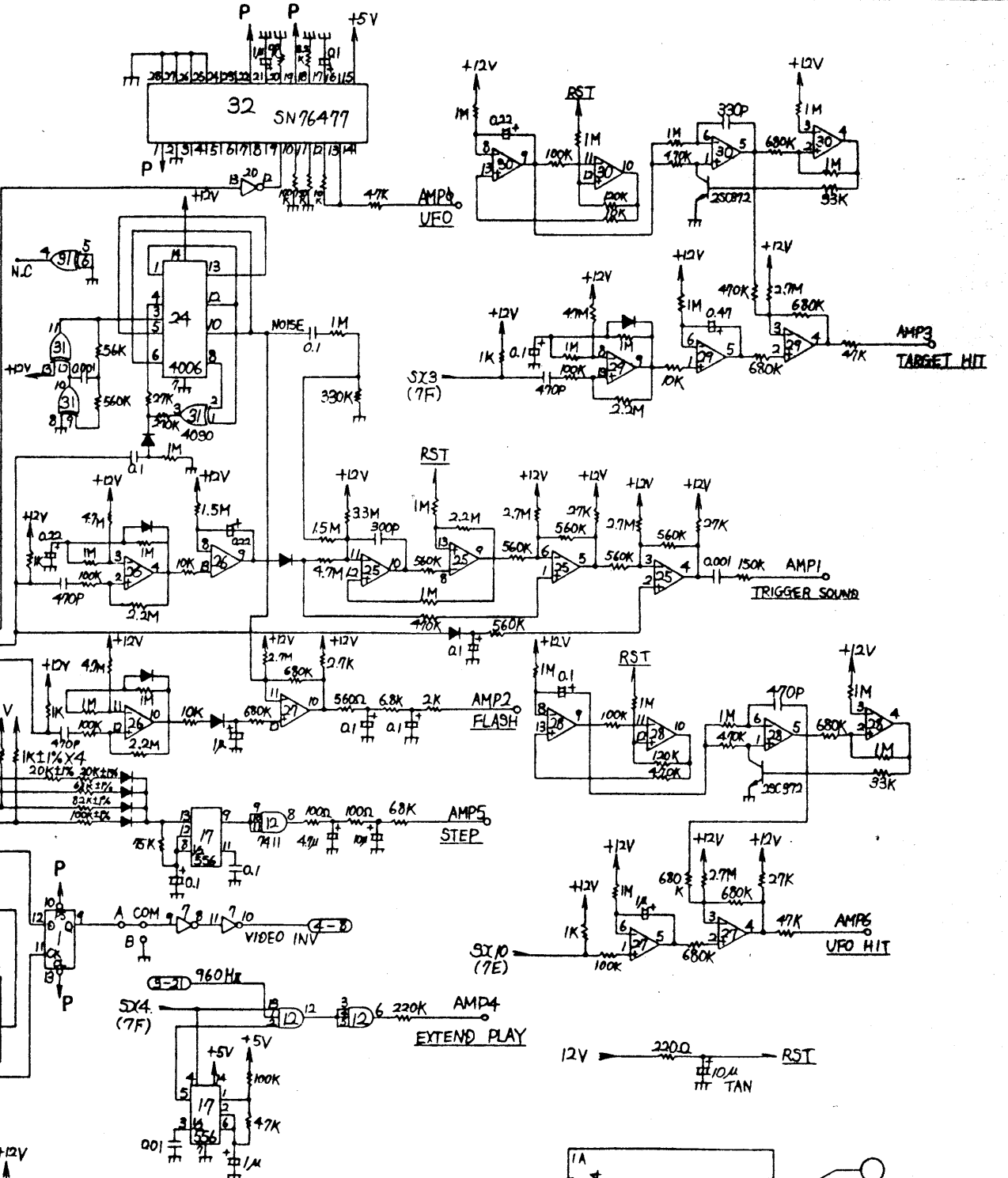
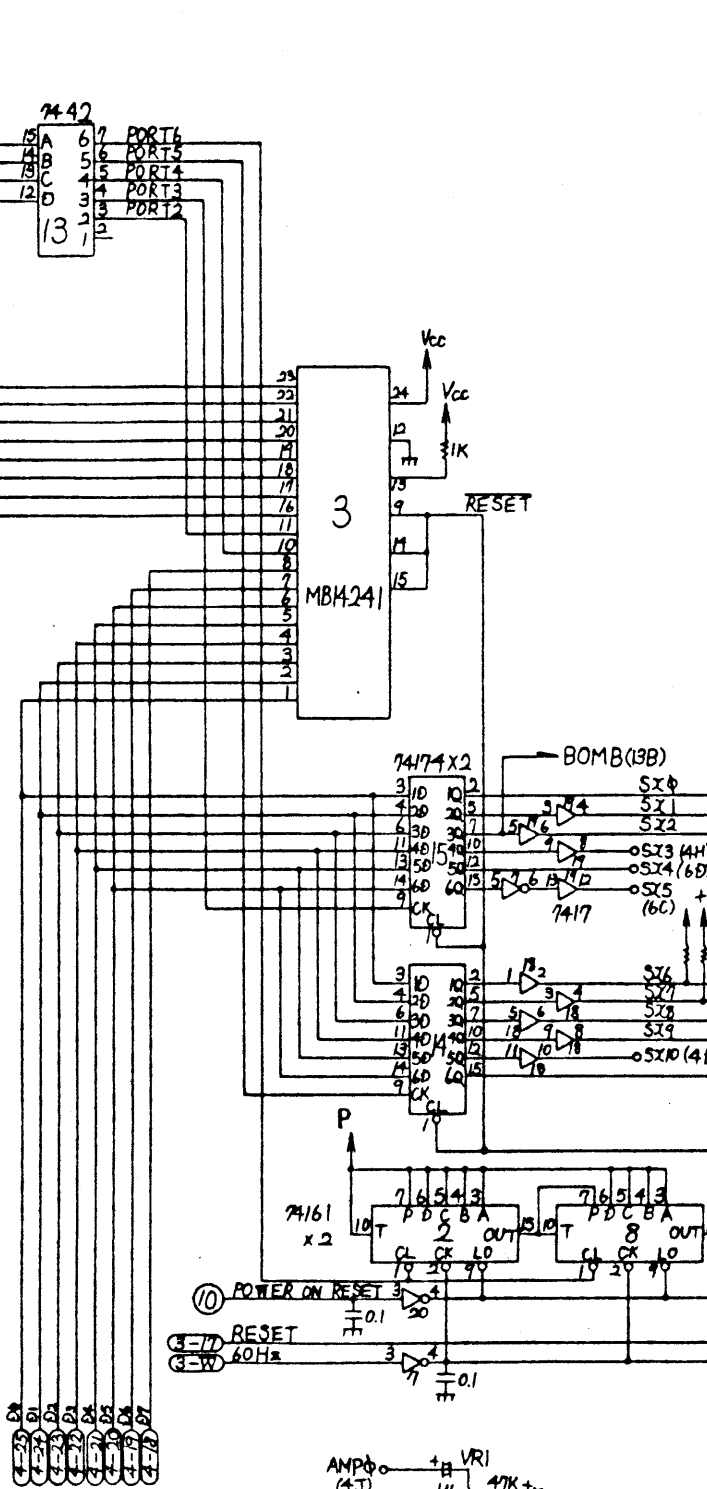
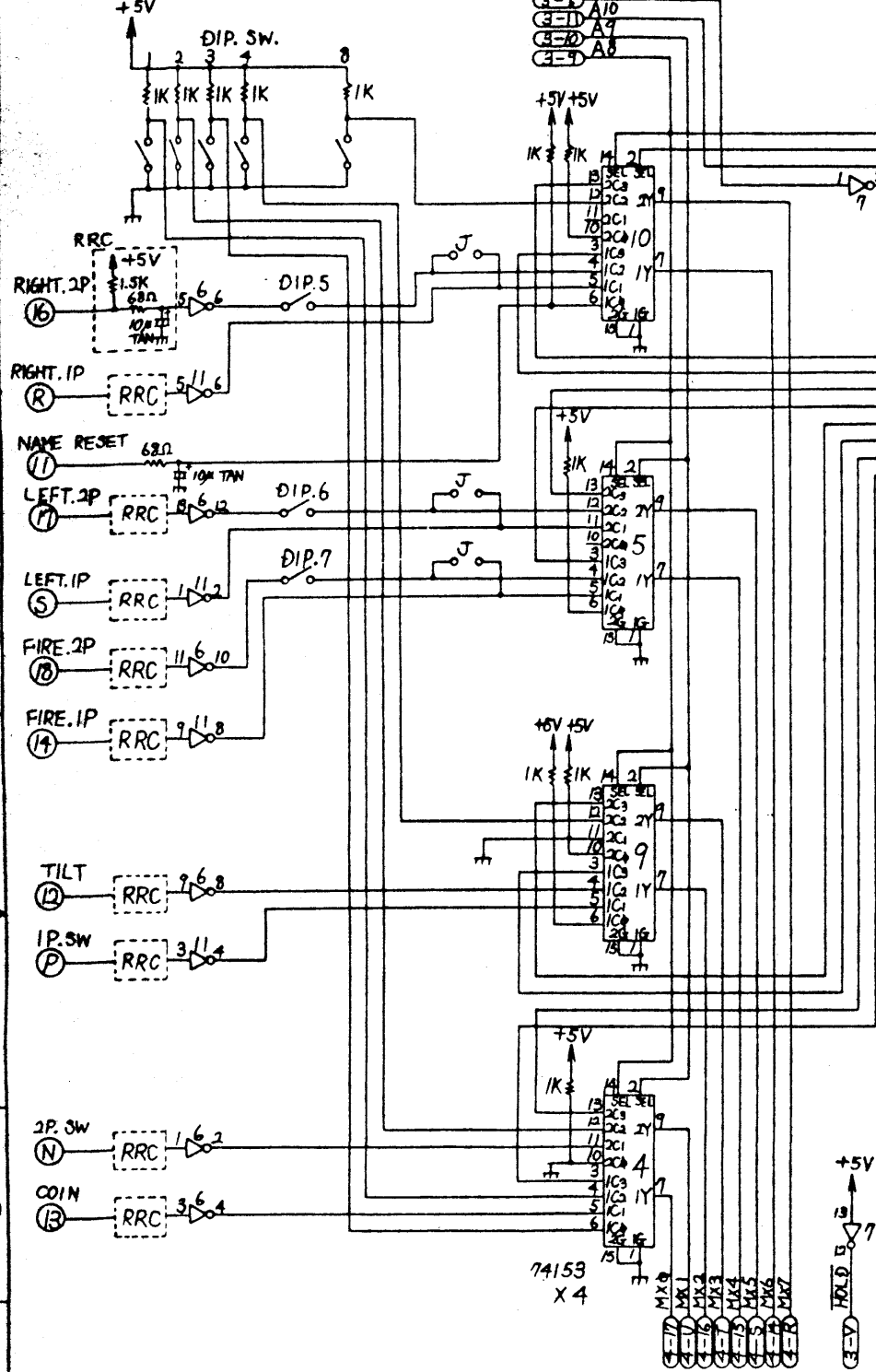
NOTE-2. CAP., ELECTROLYTIC

NOTE-3. CAP., TANTALUM

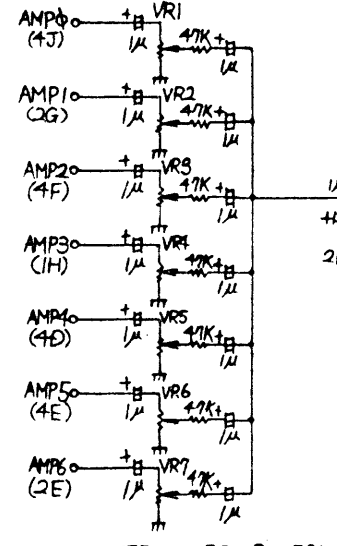
NOTE-4.. How To Mount Resistor

PARTS LIST

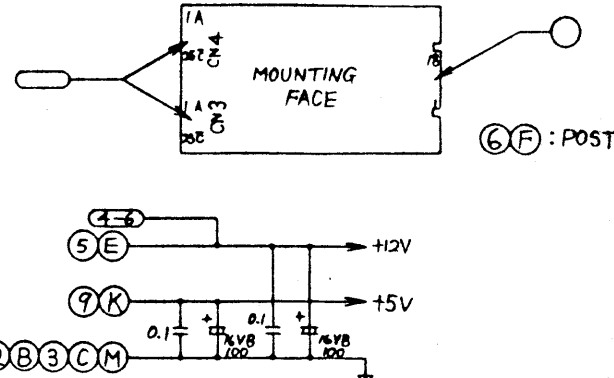
| | | | |
|---|-----------------------|---|---------------------|
| THIRD ANGLE PROJECTION UNLESS OTHERWISE SPECIFIED DIMENSIONS ARE IN MILLIMETERS TOLERANCES | DESIGN J. Sugahara | TAITO CORPORATION | |
| GENERAL HOLE DIA ANGLES | CHECK J.S. | T.T. SPACE INVADERS | |
| MATERIAL | APPROVED | NAME PART I COLOR P.V.-C.P.U.-P.C BOARD Assy (2716) | |
| FINISH | APPROVED | SIZE A2 | DATE NO PVN00003 |
| DO NOT SCALE DRAWING | | SCALE | RELEASE DATE |



USED ON 0V INVADER COLOR DISPLAY ONLY



VR1~VR7: B-50K



| | | |
|--|--------------------------------|----------------------|
| TAITO CORPORATION T.T. SPACE INVADERS PART 1 COLOR P.V - GAME PC BOARD SCHEMATIC DIAGRAM PV000001 | 7.19.79 J. Shimada 20.77 | PVN00004 PV000001 |
|--|--------------------------------|----------------------|

