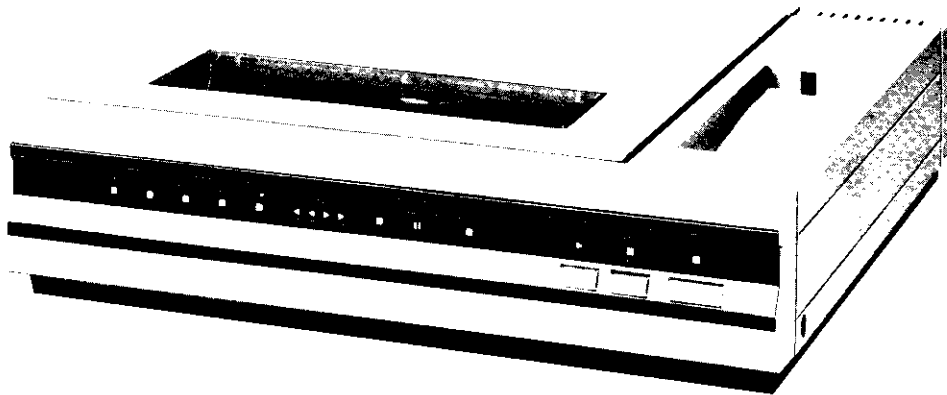


SEGA®

LASER VIDEO DISC PLAYER

OWNER'S MANUAL



CAUTION:

Use of controls or adjustments or performance of procedures other than those specified herein may result in hazardous radiation exposure.

**PART NO. 200-5017-01
(VIP 9500SG)**

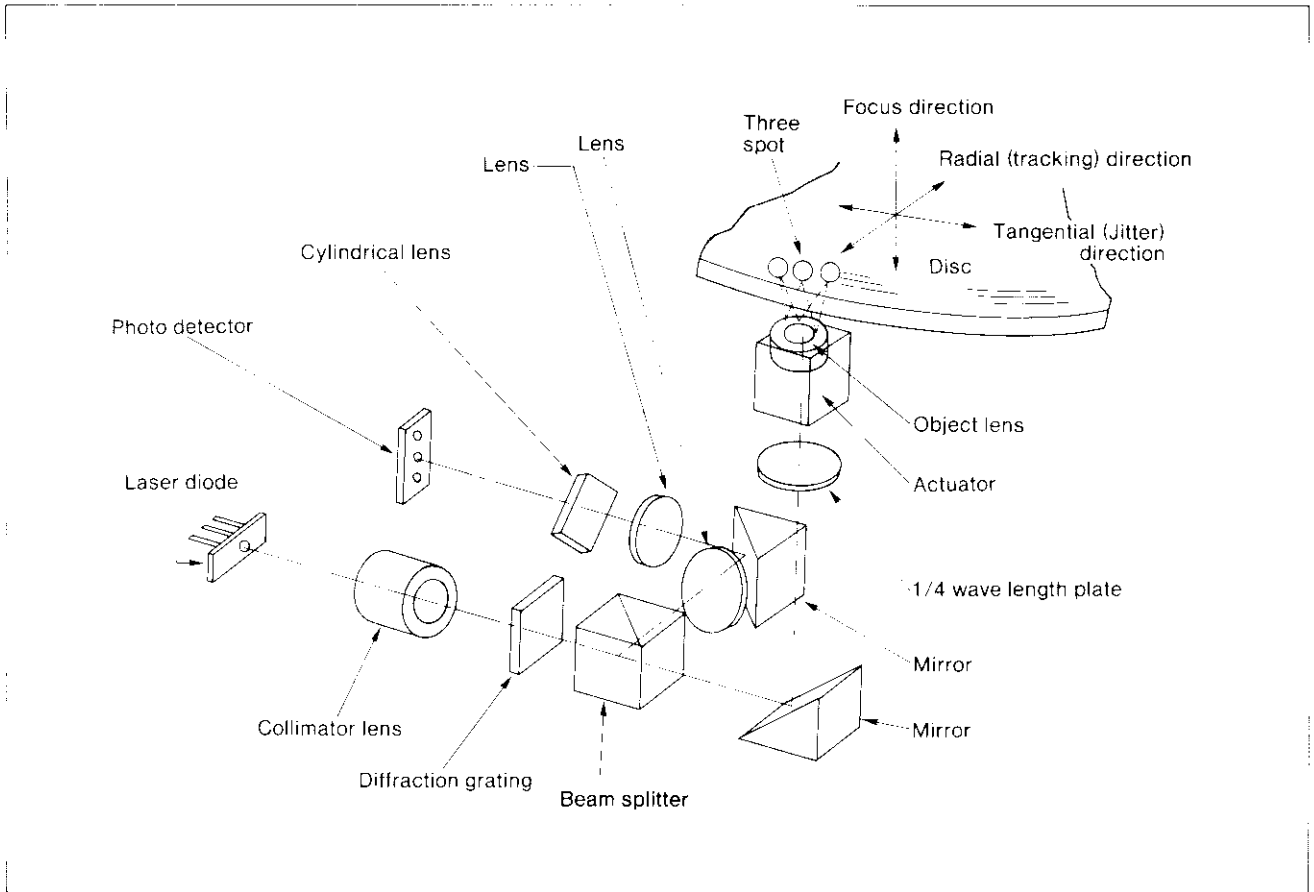
SEGA ENTERPRISES, LTD.

CONTENTS

1. Features	2
2. Cautions on use	3
3. Before using the unit	4
4. Rear panel	5
5. Front panel control	6
6. Operation	7
7. Handling the video disc	9
8. Before consulting a service engineer	10
9. Specifications	11

1 Features

- Laser diode pickup for a longer service life and improved reliability.



- High speed random access function enables to search for any desired picture location instantaneously.
- Versatile special play functions such as long play still pictures, etc.
- Easy operation with infrared remote control transmitter (option).
- Interface function with personal computer is provided through RS232C.
- Clear and high-resolution picture, Hi-Fi sound with stereo or bilingual playback.
- Compact, lightweight and low power consumption.

2 Cautions on use

- **Do not disassemble the unit.**
Do not disassemble the cabinet, it may cause an electric shock or hazard.
- **Do not drop any foreign objects inside the unit.**
Do not spill liquid inside the unit or drop inflammable or metal objects inside; this will cause trouble or an accident.
- **Do not move the set while the disc is rotating.**
The disc is rotating at high speed and may be damaged if it is moved during operation.
- **Do not use or store the unit in such places as**
 - Extremely hot or cold places
 - Place where direct sunlight shines directly on it or near heating appliances.
 - Moist place
 - Dusty place
 - Where there are violent vibrations
 - Near equipment which generates a magnetic field
- **Do not block the ventilation holes**
Do not wrap the unit in cloth, etc. during operation or place the unit in a place with bad ventilation.
- **Do not give any shock or vibration**
Do not drop the unit or give shocks to the unit; this may cause trouble.
- **Use the unit in a horizontal position**
This unit is designed for use in a horizontal position.
- **Avoid rapid temperature changes before use**

IMPORTANT

This equipment generates and uses radio frequency energy and if not installed and used properly, that is, in strict accordance with the manufacturer's instructions, may cause interference to radio and television reception. It has been type tested and found to comply with the limits for a Class B computing device in accordance with the specifications in Subpart J of Part 15 of FCC Rules, which are designed to provide reasonable protection against such interference in a residential installation. However, there is no guarantee that interference will not occur in a particular installation. If this equipment does cause interference to radio or television reception, which can be determined by turning the equipment off and on, the user is encouraged to try to correct the interference by one or more of the following measures:

- reorient the receiving antenna
- relocate the player with respect to the receiver
- move the player from the receiver
- plug the player into a different outlet so that player and receiver are on different branch circuits.

If necessary, the user should consult the dealer or an experienced radio/television technician for additional suggestions. The user may find the following booklet prepared by the Federal Communications Commission helpful:

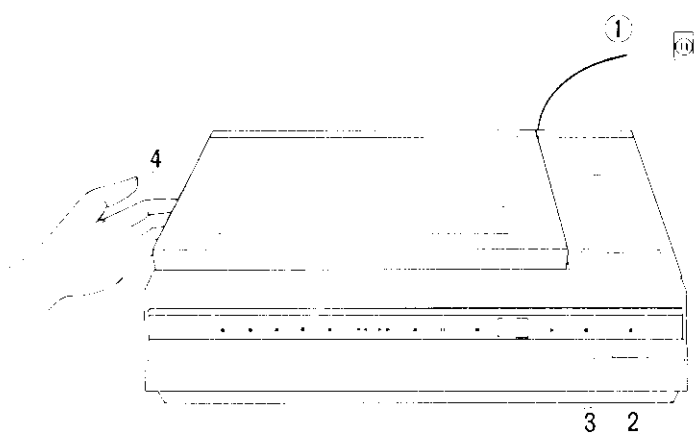
“How to Identify and Resolve Radio-TV Interference Problems”. This booklet is available from the US Government Printing Office, Washington, DC 20402, Stock No. 004-000-00345-4.

3 Before using the unit

3.1 Opening/closing the lid

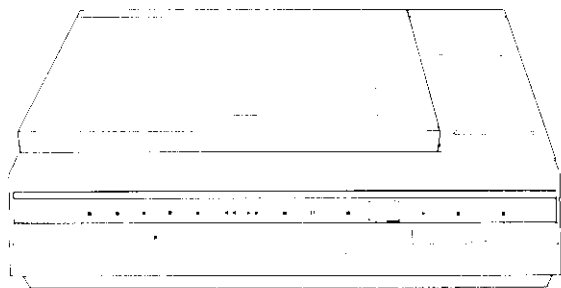
● Opening the lid

- 1 Connect the power cord to the socket.
- 2 Press the POWER switch.
- 3 Press the EJECT (disc take-out) button. Locking of the lid is released and the lid opens a little.
- 4 Open the lid. Do not open the lid more than necessary.



● Closing the lid

Press the point shown by an arrow to close it tightly until it is locked.



● When the lid cannot be opened

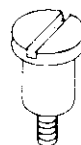
- (1) Turn off the POWER switch and then turn on the POWER switch.
- (2) Press the EJECT (disc take-out) button.
 - When the lid still does not open, do not open it by force but consult the dealer, or engineer.

3.2 Loose of shipping screw and removal of lens cap.

Loose the shipping screws and remove the lens cap. The internal mechanism of this unit is fixed with the screws used so that the unit is not affected by vibrations during transportation.

Loose these screws using a (-) screwdriver. The object lens which is an important part to detect the signal from the disc and a grey lens cap is used to prevent dust. Be sure to remove this

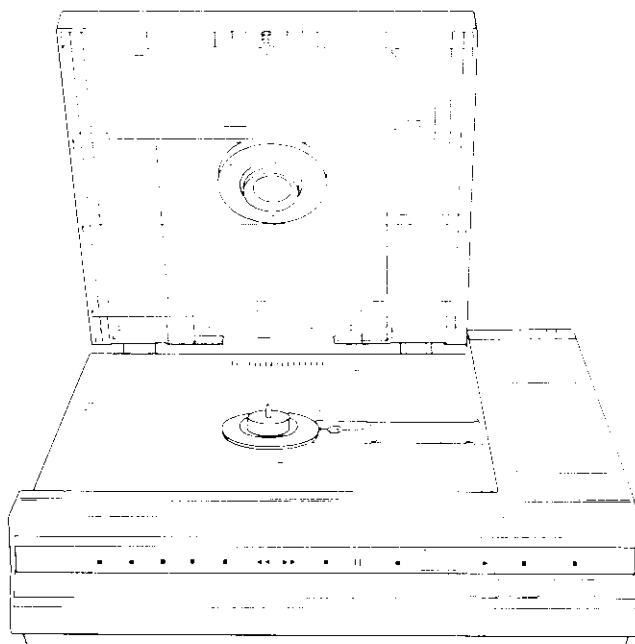
Loose the shipping screws.



Remove the lens cap.



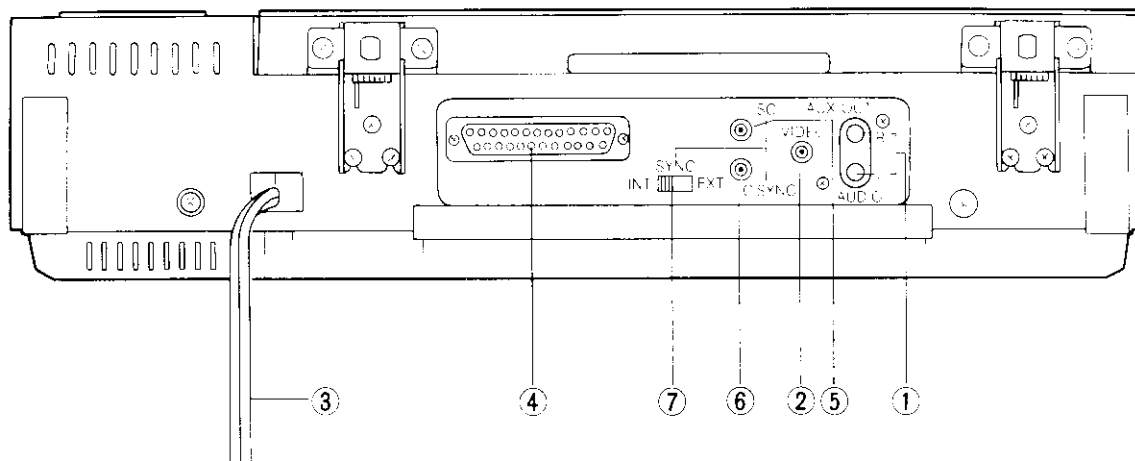
Just pull the cap to remove it.



● Cautions

Keep the shipping screws and lens cap together with the owner's manual, and install them when transporting the player. Use the lens cap when the unit is not used for a period of time as well as for transportation.

4 Rear panel



① AUDIO R/L OUT

Connect the cable for AUDIO R/L OUT of the Audio monitor to this connector.

② VIDEO OUT

Connect the cable for VIDEO INPUT of the Video monitor to this connector.

③ POWER CORD

Insert this CORD into the power socket. (AC120V)

④ Ext Connector (compatible with RS232C interface)

Connect to the external computers to operate the player.

⑤ SC

Connect the 75 ohm coaxial cable for external 3.58MHz SC (=subcarrier) generator to this connector.

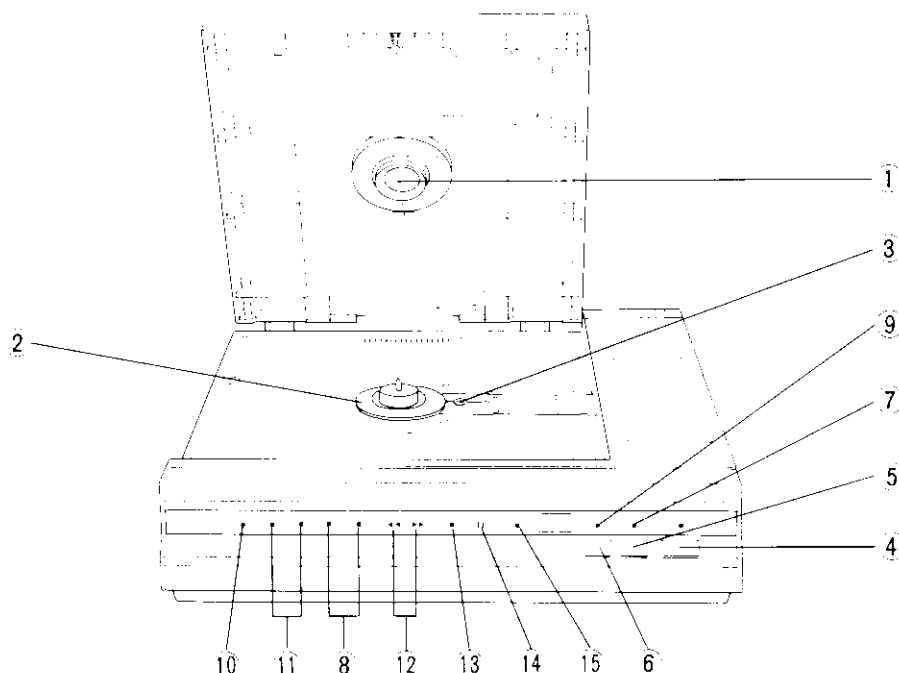
⑥ C.SYNC

Connect the 75 ohm coaxial cable for external C.SYNC (=Composite Synchronizing Signal) generator to this connector.

⑦ SYNC INT/EXT Switch

Make sure that this switch is set to the INT position when the Player is intended to operate by itself. If you want to make the Player operated synchronizing with the external sync signal connected to the SC IN and C.SYNC IN connectors, set this switch to the EXT position. If no external sync signal is supplied to the SC IN and C.SYNC IN with this switch set to the external position, the Player does not present you any program from the disc.

5 Front panel control



① DISC CLAMP

When the lid is closed, the disc is pressed to the turntable magnetically.

② TURNTABLE

Place the disc on this turntable and close the lid for operation.

③ OBJECT LENS

This is an important part which focus the laser beam and detects the signal from the disc. Be sure not to touch it.

④ POWERSWITCH

Push and the red indicator above the switch lights on. Push again this switch to turn off.

⑤ EJECT button

Press this button to stop disc rotation or to open the lid.

⑥ PLAY button

Press this button to play or to resume play mode.

⑦ STANDBY indicator

This indicator flashes until the corresponding mode is executed or completed after the operation button is pressed.

⑧ CAV, CLV (auto disc detection)

While playing, the disc type CAV (standard disc or constant angular velocity) or CLV (long play disc or constant linear velocity) is detected and indicated by either of the indicators.

⑨ PLAY indicator

Tells the player is in PLAY mode.

⑩ CX system indicator

This indicator lights when the CX noise reduction system is set to ON.

⑪ CH-1/L (Left), CH-2/R (Right) audio indicator

Show the audio output channel(s).

⑫ SLOW 1/10, 1/5 (slow motion indicators)

Indicate the slow motion mode, at either 1/10 or 1/5 normal playing speed.

⑬ STILL/STEP (still/frame-shift)

Indicates whether the playing mode is STILL or FRAME-SHIFT.

⑭ PAUSE indicator

Lights on the PAUSE mode.

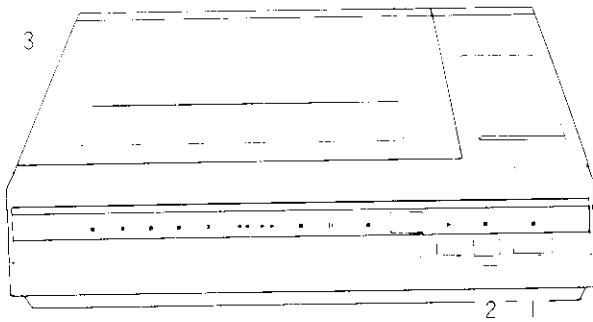
⑮ REMOTE CONTROL reception indicator

This indicator lights while remote control function is operated.

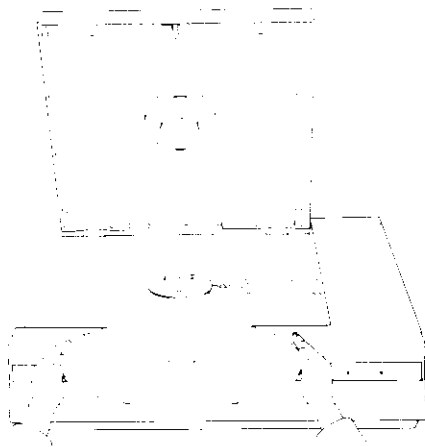
6.1 To start playback

1. Push the POWER SWITCH (ON) and press the EJECT button to open the lid.

1. Supply power
2. Press the button
3. Lift the lid

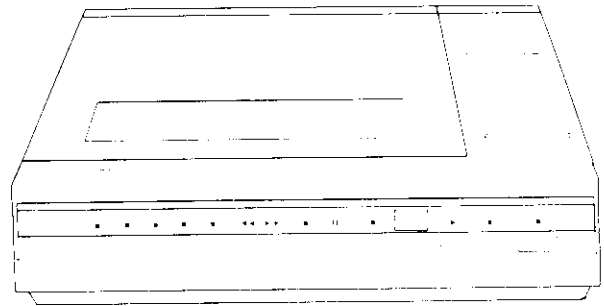


2. Load a disc.



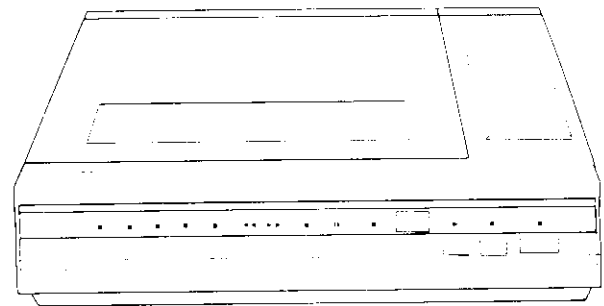
3. Close the lid.

Close the lid till it clicks.



4. Press the PLAY button

The standby indicator starts flashing when the disc starts turning. The picture appears when the disc reaches the specified speed after 10 or more seconds, and the standby indicator goes off.



Cautions:

- The player will not operate if the blank side of a disc is played.
- x 3 speed, slow, still, frame-advance and frame number search operations are not possible with a CLV long playing disc.
- A clear picture cannot be obtained when the TV is not tuned correctly, so precisely fine-tune your TV set. Be sure to fine-tune when using this unit for the first time or when the TV set is replaced.

Operating the VIP9500SG

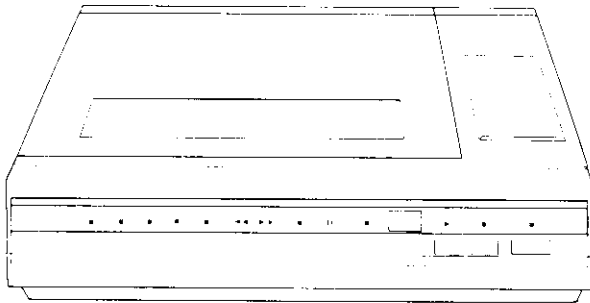
The operations shown below are necessary. When the unit cannot be operated, re-check.

- Power is supplied
- The disc is loaded correctly
- The lid is locked completely

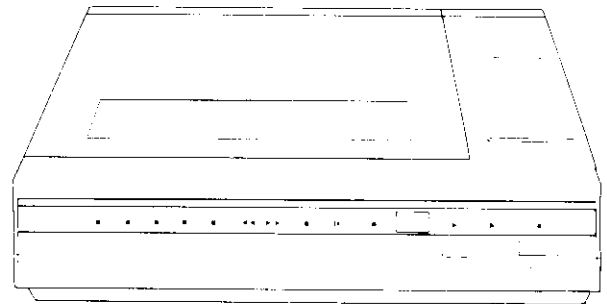
6.2 To stop playback

1. Press the EJECT button

- The standby indicator flashes and the disc rotational speed drops. The pickup returns to its original position and the lid opens automatically.



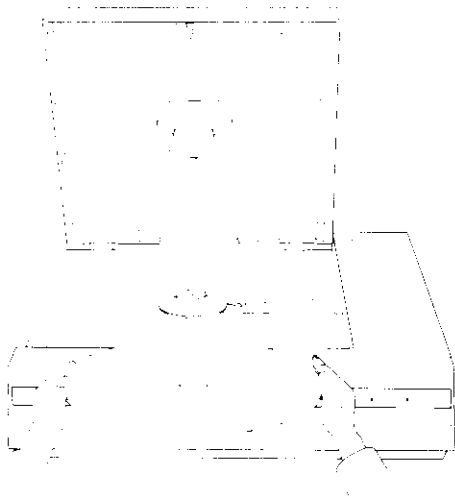
3. Close the lid and turn off.



- The standby indicator flashes and the disc speed drops. The pickup returns to its original position but the lid does not open.
- Press the EJECT button to open the lid.

2. Removal of the disc

- Lift the lid to remove the disc.
- Be sure to insert the disc into the jacket.



7 Handling the video disc

- (1) The "standard play" mark on the jacket or label on the disc shows CAV (standard) disc and the "extended play" mark, a CLV (long playing) disc. Slow motion, $\times 3$ speed, still, frame-advance and frame number search operations are not obtainable with these marked Extended Play (CLV).

Standard Play = CAV/standard disc
Extended Play = CLV/long playing disc

- (2) Load the laser disc with the side you want to see (with its label) up in the same way as a normal audio record.



- (3) Handle the disc as shown below when loading and unloading it.

- Holding the disc

Holding with both hands: Hold both sides of the disc as shown in Fig. 1.

Holding with one hand: Hold the disc with your fingers in the center hold and at the edge as shown in Fig. 2.

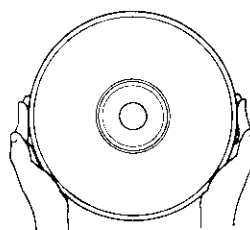


Fig. 1

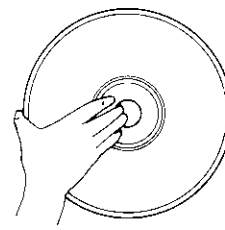


Fig. 2

- When you finish playing a disc, always remove it from the player and replace it in its jacket. The disc is made from plastic in the same way as an ordinary LP; store in a cool place with low humidity, taking care that the discs do not become warped. Be sure to read the cautions on the laser disc for other items.



Before consulting a service engineer

Perform some checks before contacting a service engineer, sometimes malfunctioning of the TV, stereo system may be case.

Phenomenon	Check point
The lid does not open when the disc eject button is pressed	<ul style="list-style-type: none">● Is the power switch turned ON?
The disc does not start rotating when the play button is pressed.	<ul style="list-style-type: none">● The power cord of the player plugged into the wall outlet?● The power switch turned ON?● The lid completely closed?● The blank side being played?● The lens cap detached?
The disc rotates but no picture appears.	<ul style="list-style-type: none">● The power supplied to the TV set?● Connection between the player and TV set (color monitor)?● The player set to the pause mode?● The object lens screened?
Poor picture	<ul style="list-style-type: none">● The player and TV set connected correctly?● The fine-tuning of the TV set adjusted?● Is there condensation in the player?
Trick play is not possible.	<ul style="list-style-type: none">● Is the disc a long playing disc? (3 times speed, slow, still/frame-advance and frame number search operations are not possible with a long playing disc.)
No sound	<ul style="list-style-type: none">● The player is in operation other than PLAY mode? (Sound is played back at normal play only.)
Poor picture and play is not possible with a certain disc.	<ul style="list-style-type: none">● Any scratches on the disc or the disc deformed?

9 Specifications

1) General		6) Functions	
System and disc specs	Comply with Philips-MCA specifications	6-1) CAV disc	
Maximum playing time	Standard video disc (CAV): 30 minutes/side Extended video disc (CLV): 60 minutes/side	Play	Normal play mode with sound
Spindle motor revolution	Standard video disc: 1,800 RPM Extended video disc: 1,800 RPM (Inner circumference) to 600 RPM (Outer circumference)	Pause	
Laser	7,800 angstrom, Semiconductor, 3mW	Fast × 3	Forward and reverse
2) Video characteristics		Scan	Forward and reverse
Video response	NTSC specification	Slow	Forward and reverse (Speed control: 1/5 and 1/10 normal speed)
Video output	1 Vp-p/75 ohms (Terminal: BNC)	Still/Step	Still picture: Step forward and reverse
Signal to noise ratio	More than 42 dB (for CAV Disc)	Random-access	Frame search and chapter search Frame number display: ON/OFF Chapter number display: ON/OFF
3) External sync. terminal		Access time	3 seconds (Frame # 1 to Frame #54,000)
Sub-carrier input	2 Vp-p, ±0.5 Vp-p/75 ohms (Terminal: BNC)	Remote control (Transmitter unit is optional)	Infrared wireless remote
Composite sync. signal input	4 Vp-p, ±1 Vp-p/75 ohms (Terminal: BNC)	CX select	CX noise reductions circuit: ON/OFF
4) Audio characteristics		Audio channel select	Two channels: Ch1 (left) & Ch2 (right): ON/OFF
Audio output	Two channels: stereo or two individual channels (650 mVrms/50K ohms (1 kHz 100% mod)) (Terminal: Stereo pin jacks)	6-2) CLV disc	
Signal to noise ratio	70 dB (when CX circuit is on)	Play	Normal play mode with sound
Frequency response	40 Hz – 20 kHz	Scan	Forward and reverse
5) Computer terminal		Random access	Time number search Time number display: ON/OFF
Interface	RS-232C	7) Others	
Baud rate	9,600 bps (Standard)	Power requirement	AC 120V, 60 Hz
Computer command	Serial	Power consumption	40 W
		Net weight	10.5 kg (23 lbs)
		Dimensions	Width Height Depth 435 × 112 × 424 mm (17 1/8 × 4 3/8 × 16 6/8 in.)
		Operating temperature	+5°C – +35°C

SEGA ENTERPRISES, LTD.

P.O. Box 63, Tokyo Airport Post Office, Tokyo 149, Japan.
Tel: 03-742-3171 Tlx: J22357 Cable: SEGASTAR

BALLY MIDWAY MFG. CO.

10601 W. Belmont Av. Franklin Park, IL 60131
Tel Continental U.S. 800-323 7182
Tel-Illinois Only 1-800-942-0497 Telex 72 1596