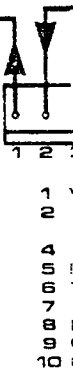
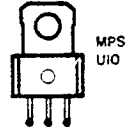
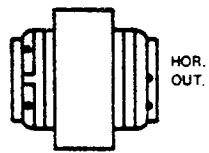
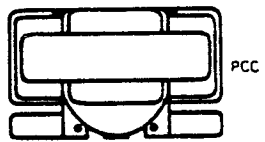
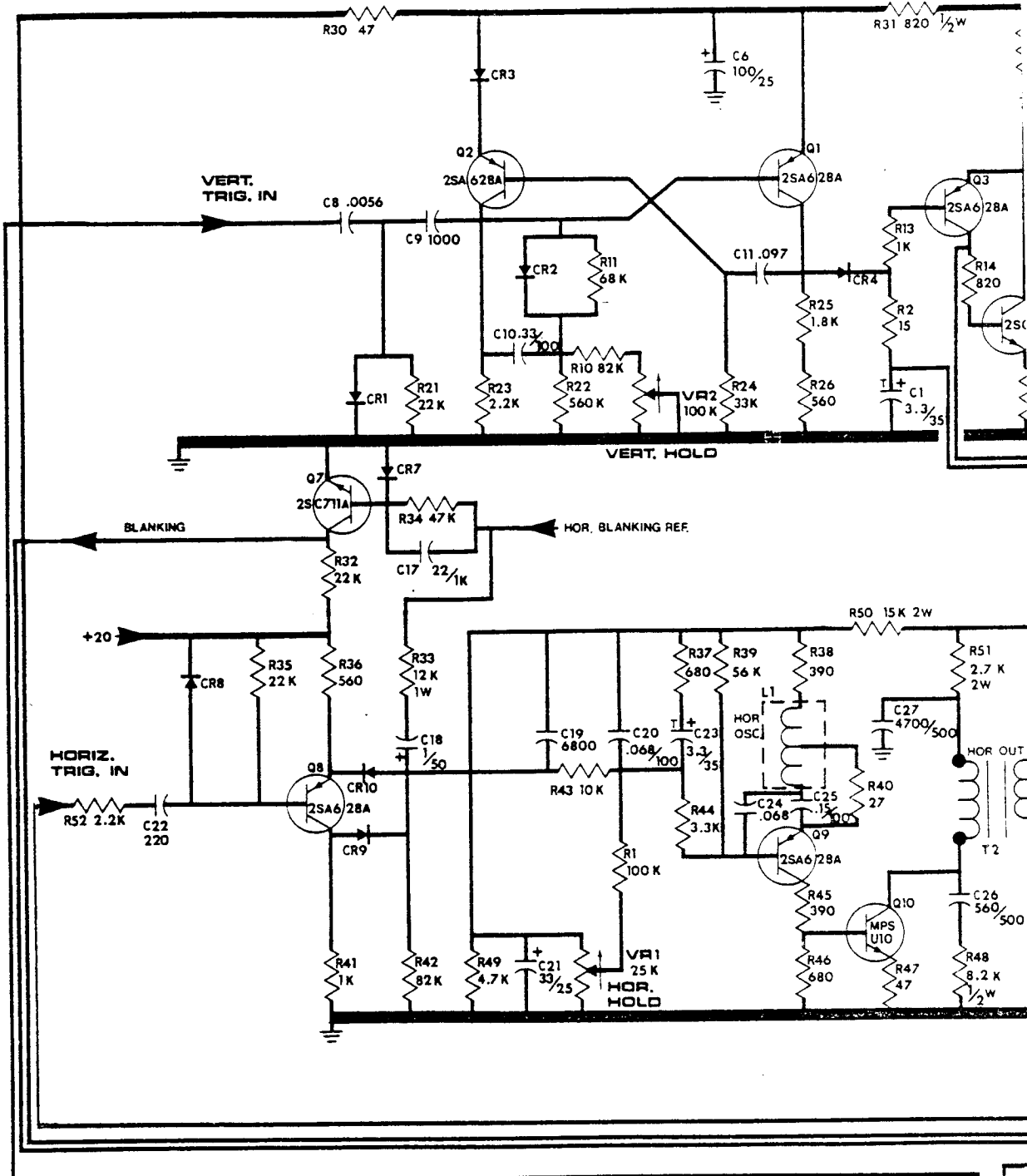
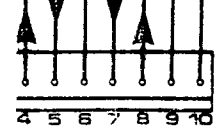
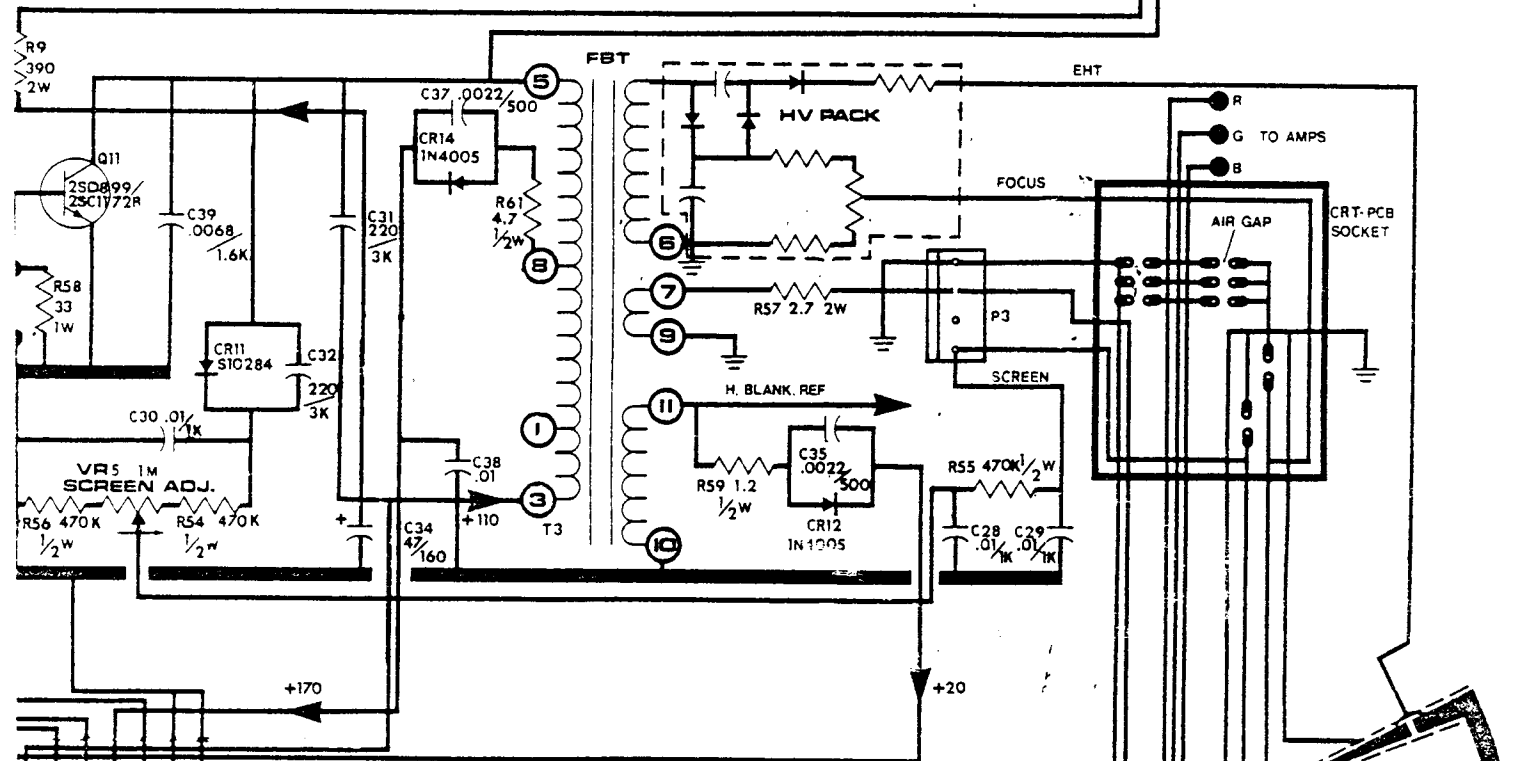
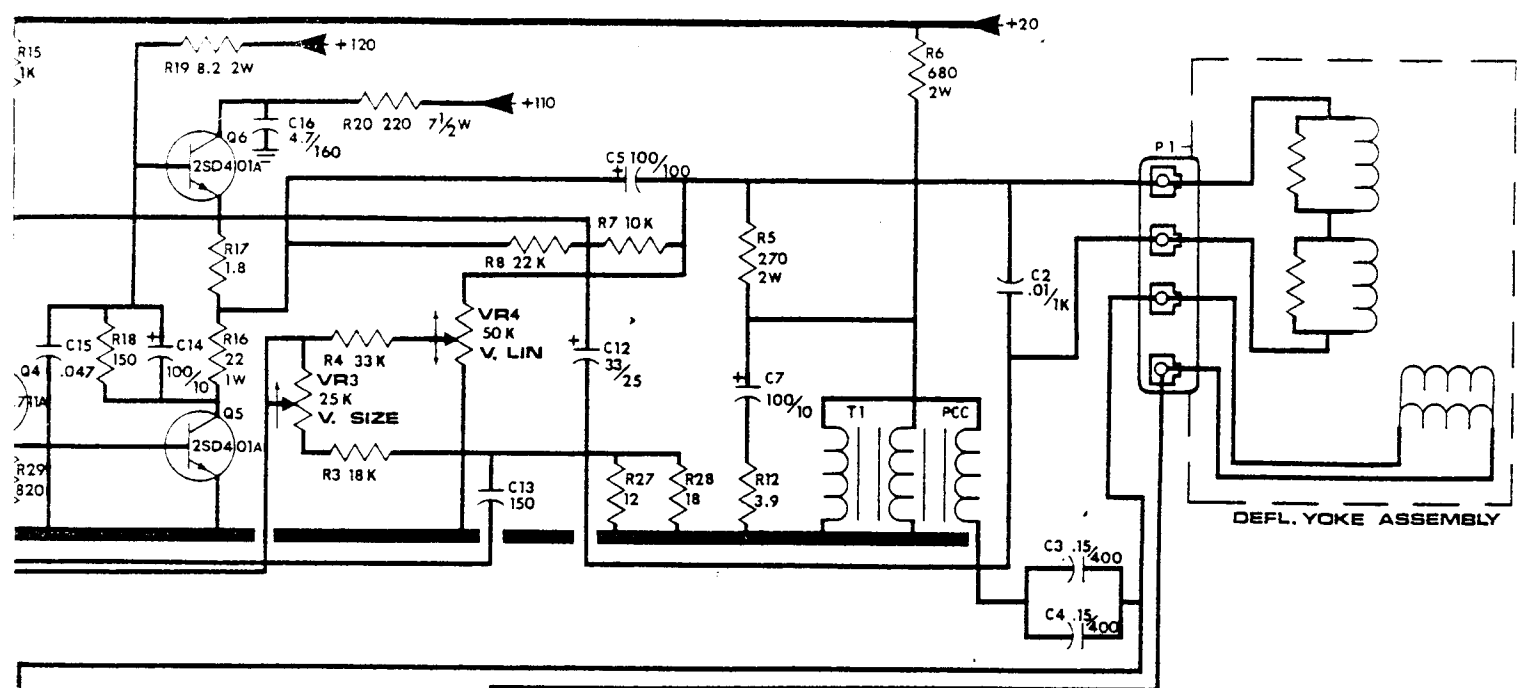


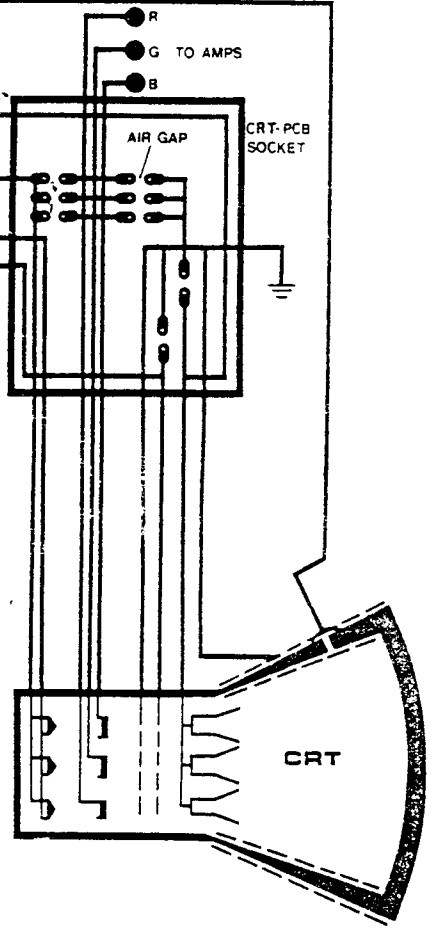
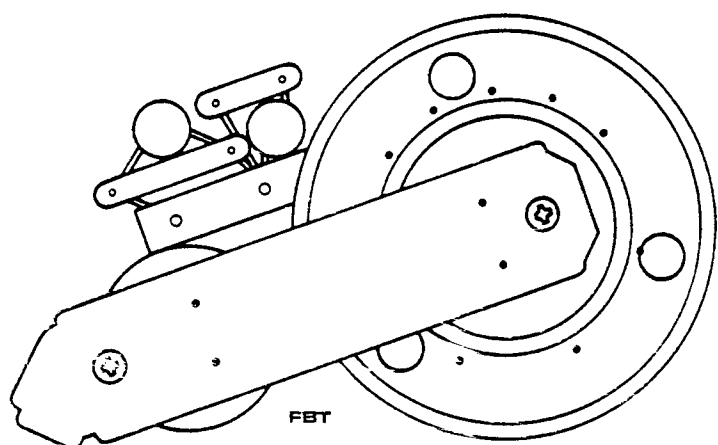
RCB-100A

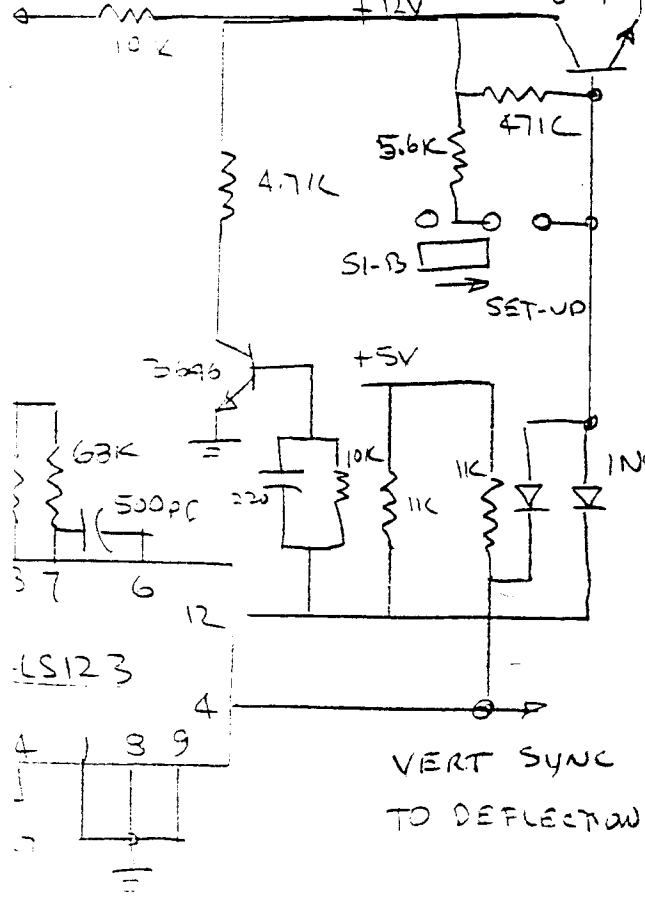
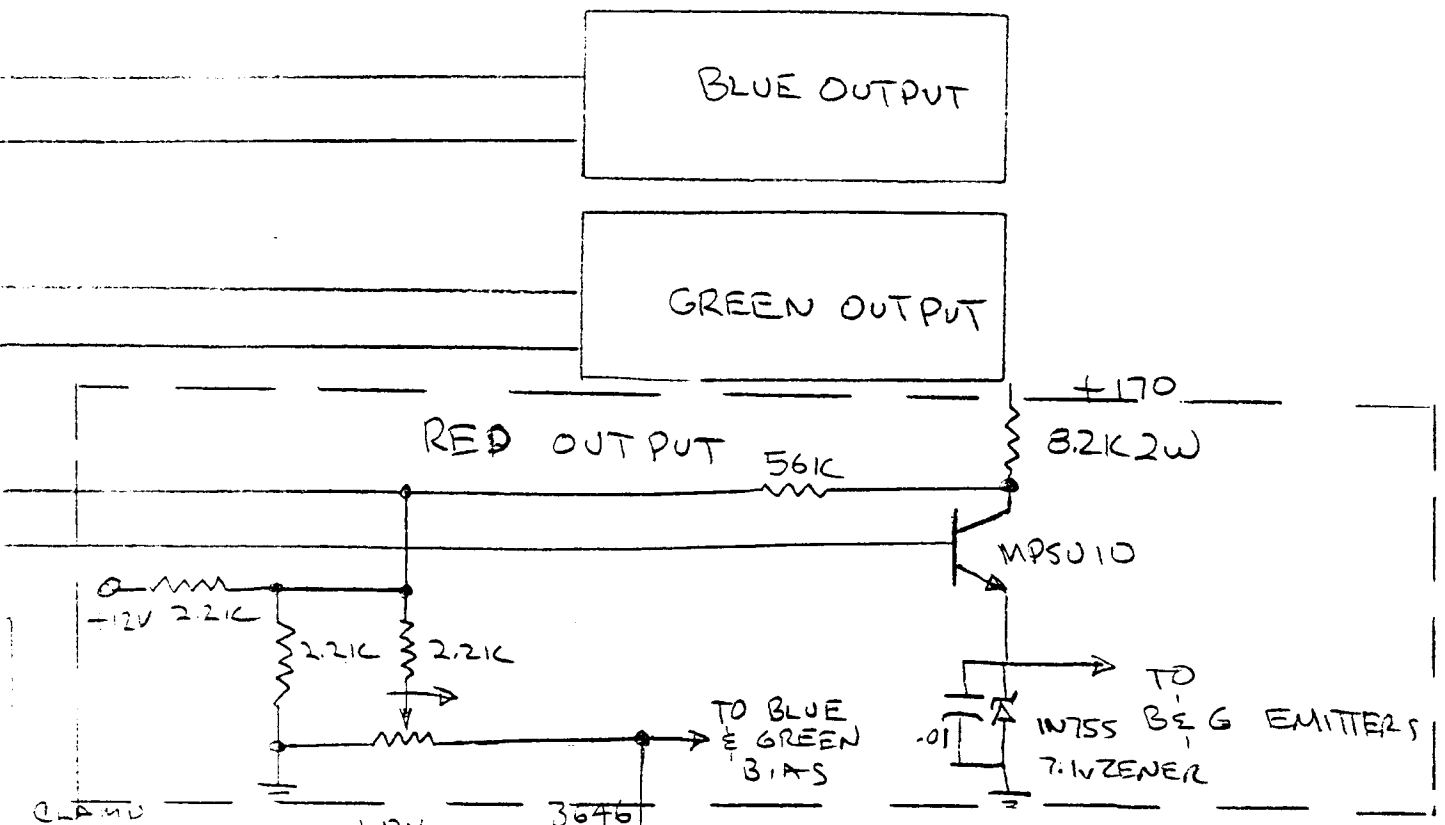




RT. TRIG. IN
20V OUT

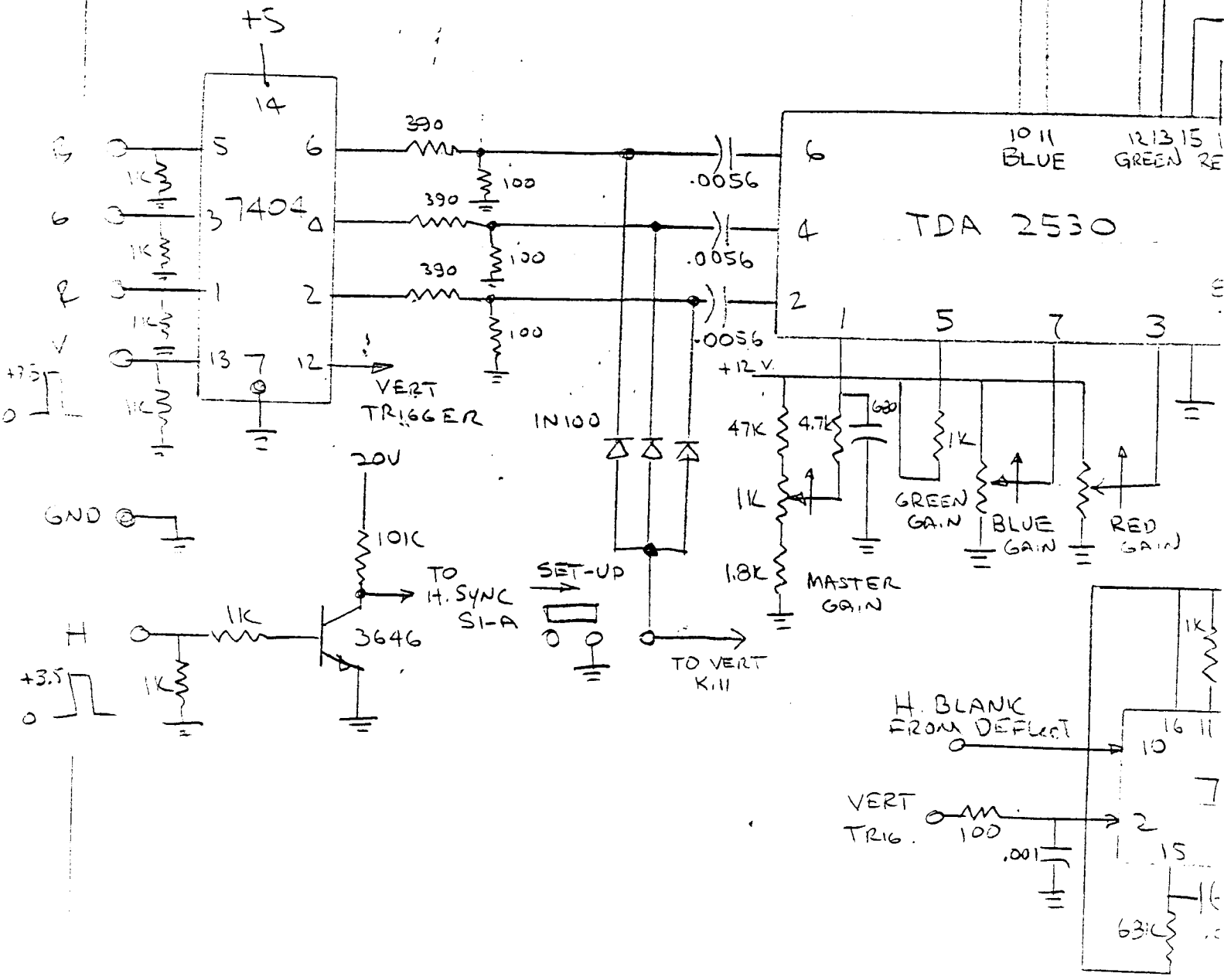
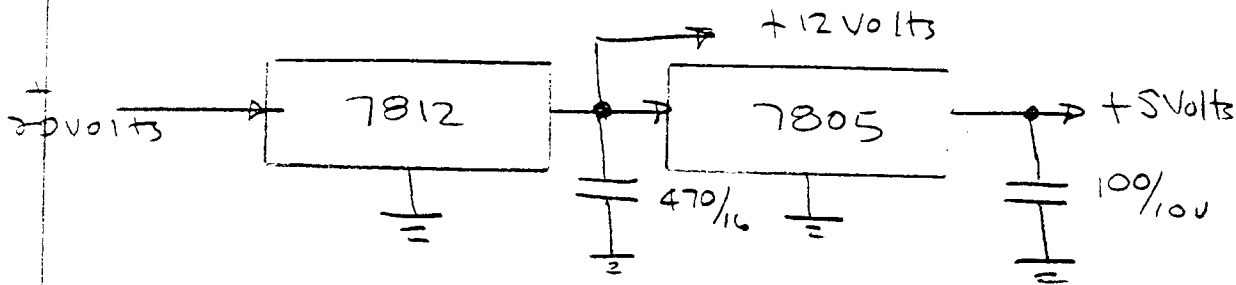
110V IN
XED BLANK. OUT
RT. KILL
170V OUT
IRIZ. TRIG. IN
OUND
OUND

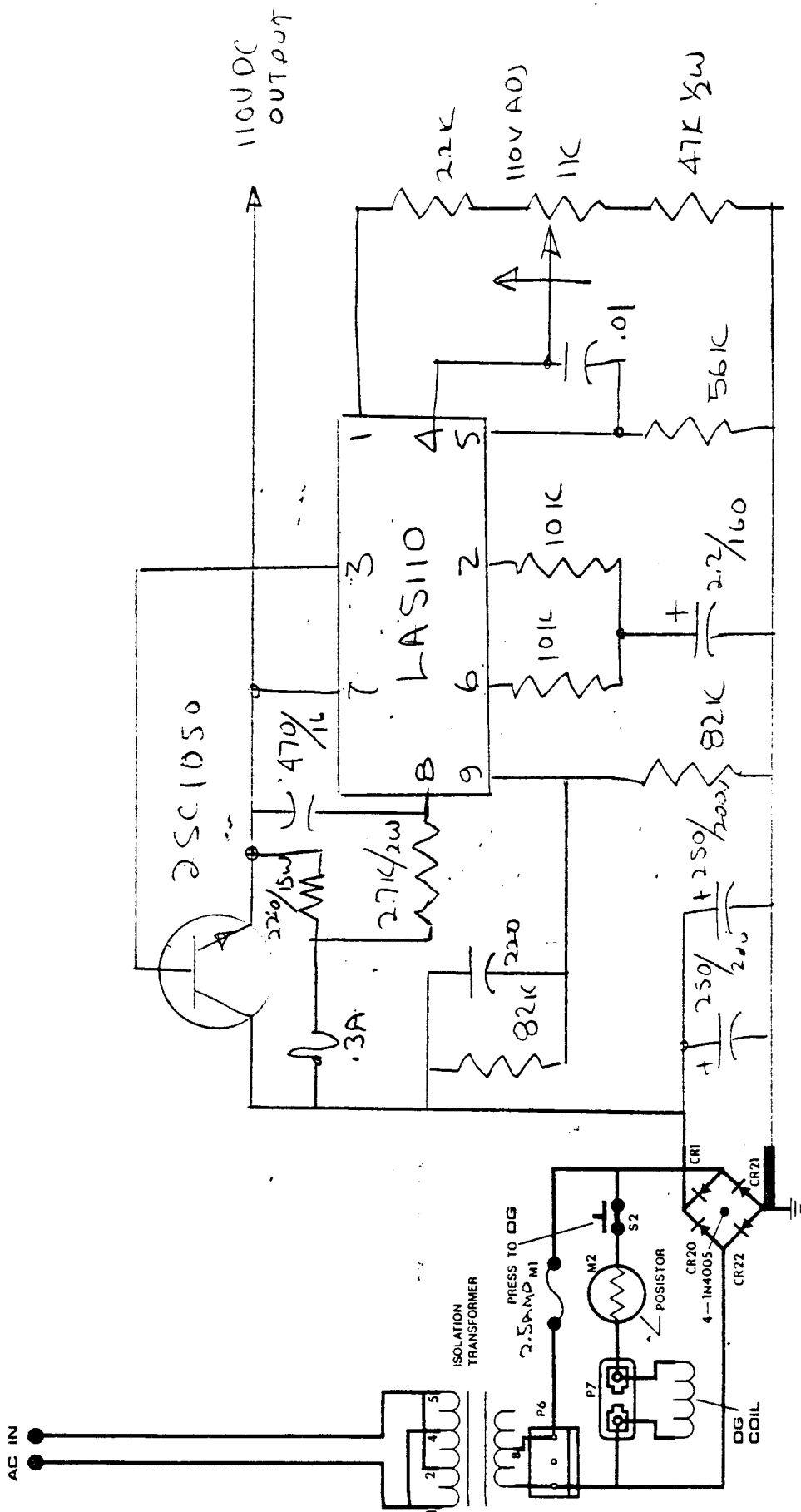




PRELIMINARY

VIDEO CIRCUITS
FOR QUAZAR
REPLACEMENT RGB-1000
W.S.M 4-15-80





POWER REGULATOR
FOR RGB-100 Q