

Quarterhorse Owner's Manual

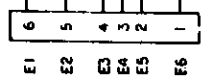
Schematics

SCHEMATICS

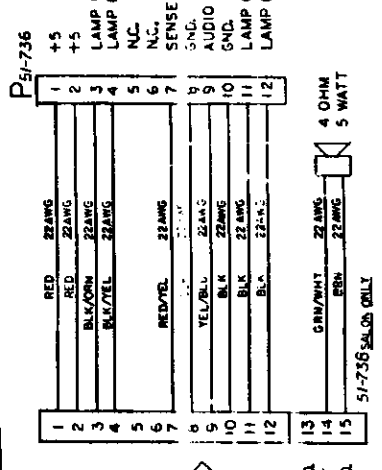
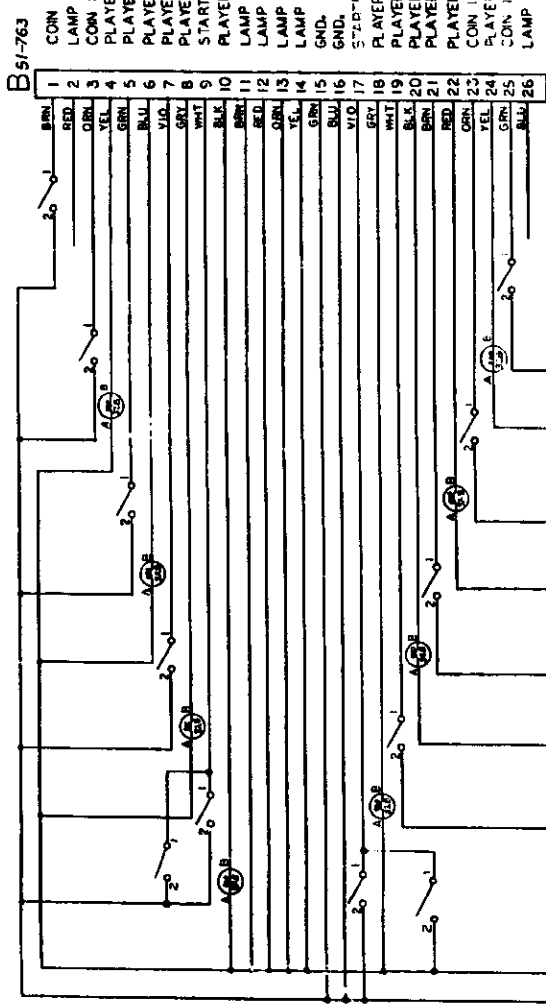
11.0

A 51-735

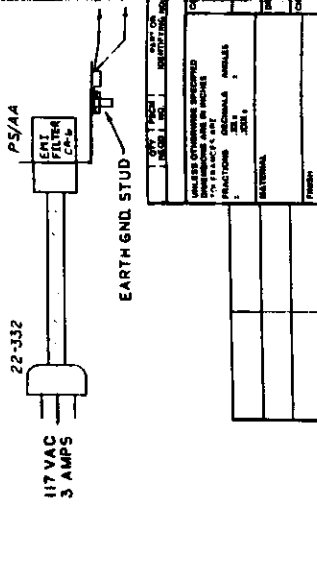
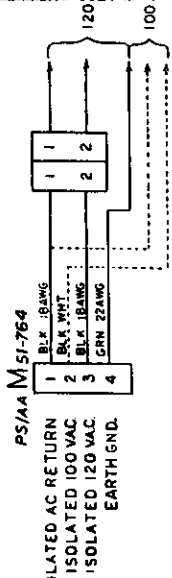
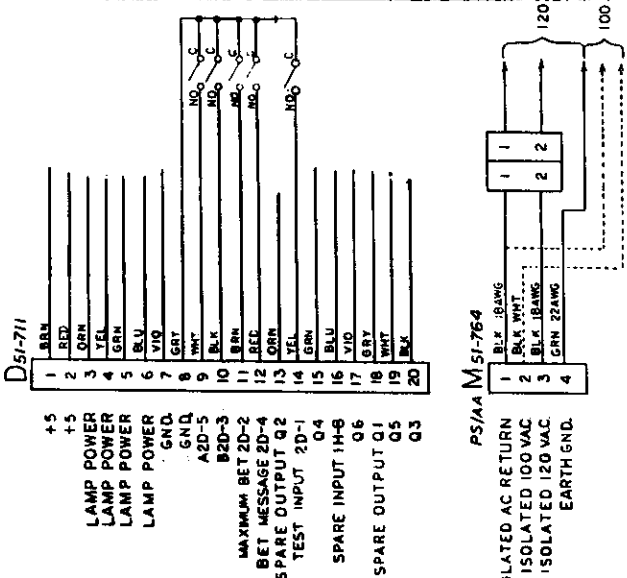
1	N.C.
2	GND.
3	N.C.
4	GND.
5	RED 3A-1
6	GND.
7	GREEN 3A-2
8	GND.
9	BLUE 3A-3
10	GND.
11	VERT. SYNC. 4F-3
12	GND.
13	HORZ. SYNC. 4F-5
14	GND.
15	COMP. SYNC. 4F-6
16	GND.
17	+5
18	GND.
19	+5
20	GND.



J1 MONITOR



PS/AA



ELECTRO-SPORT INC.

QUARTERHORSE 04-1

SCHEMATIC DIAGRAM

UNLESS OTHERWISE SPECIFIED, ALL DIMENSIONS ARE IN INCHES. FRACTIONS ARE TO BE USED. DIMENSIONS ARE TO CENTER UNLESS OTHERWISE SPECIFIED.

DATE: 4-30-61
 CHECKED BY: J. R. ...
 DRAWN BY: S. Skedd

SCALE: NONE

PROJECT: LOFI

SHEET: 1

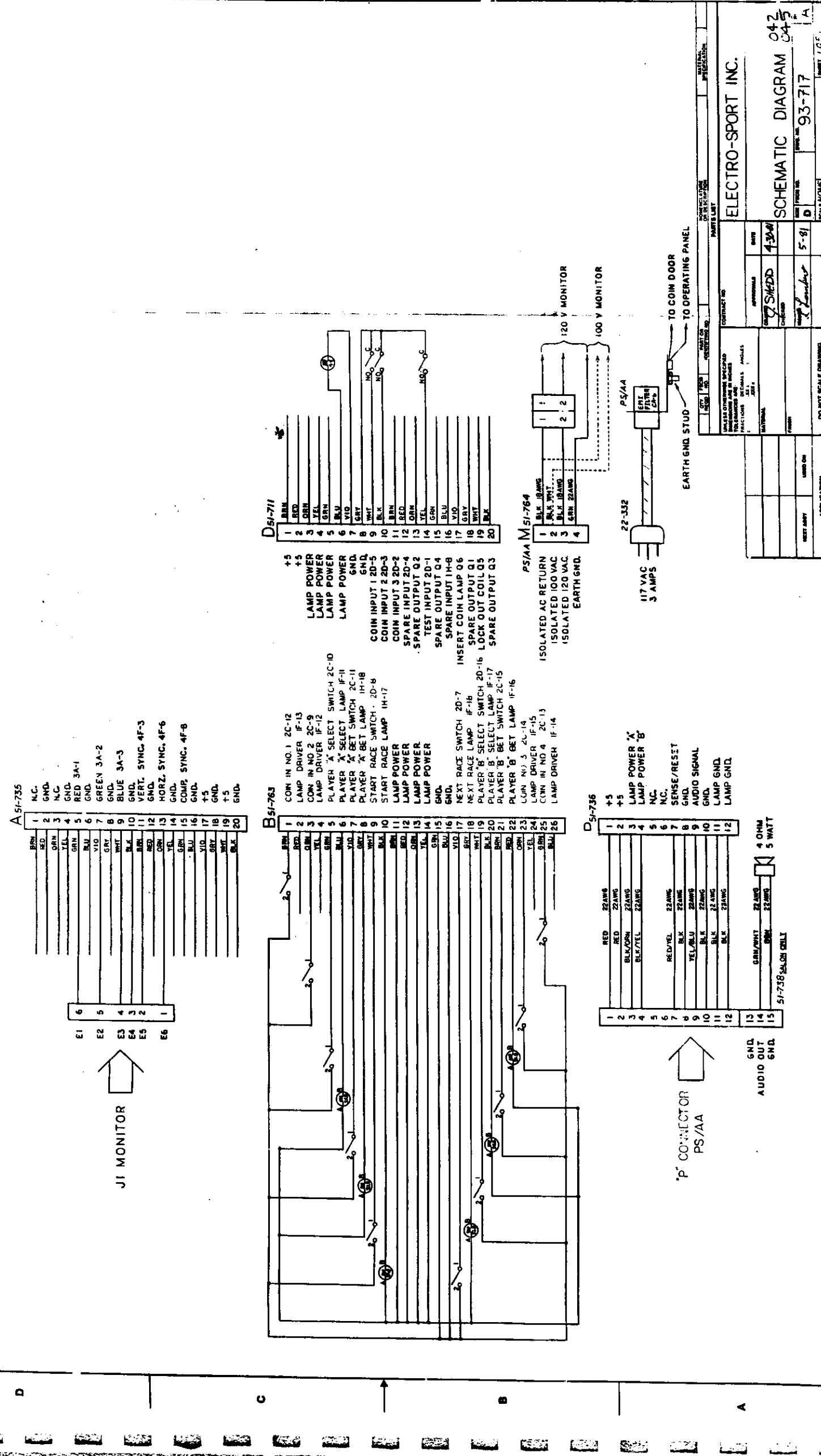
REV.	DATE	APPROVAL

REV.	DATE	APPROVAL

REV.	DATE	APPROVAL

REV.	DATE	APPROVAL

REV.	DATE	APPROVAL



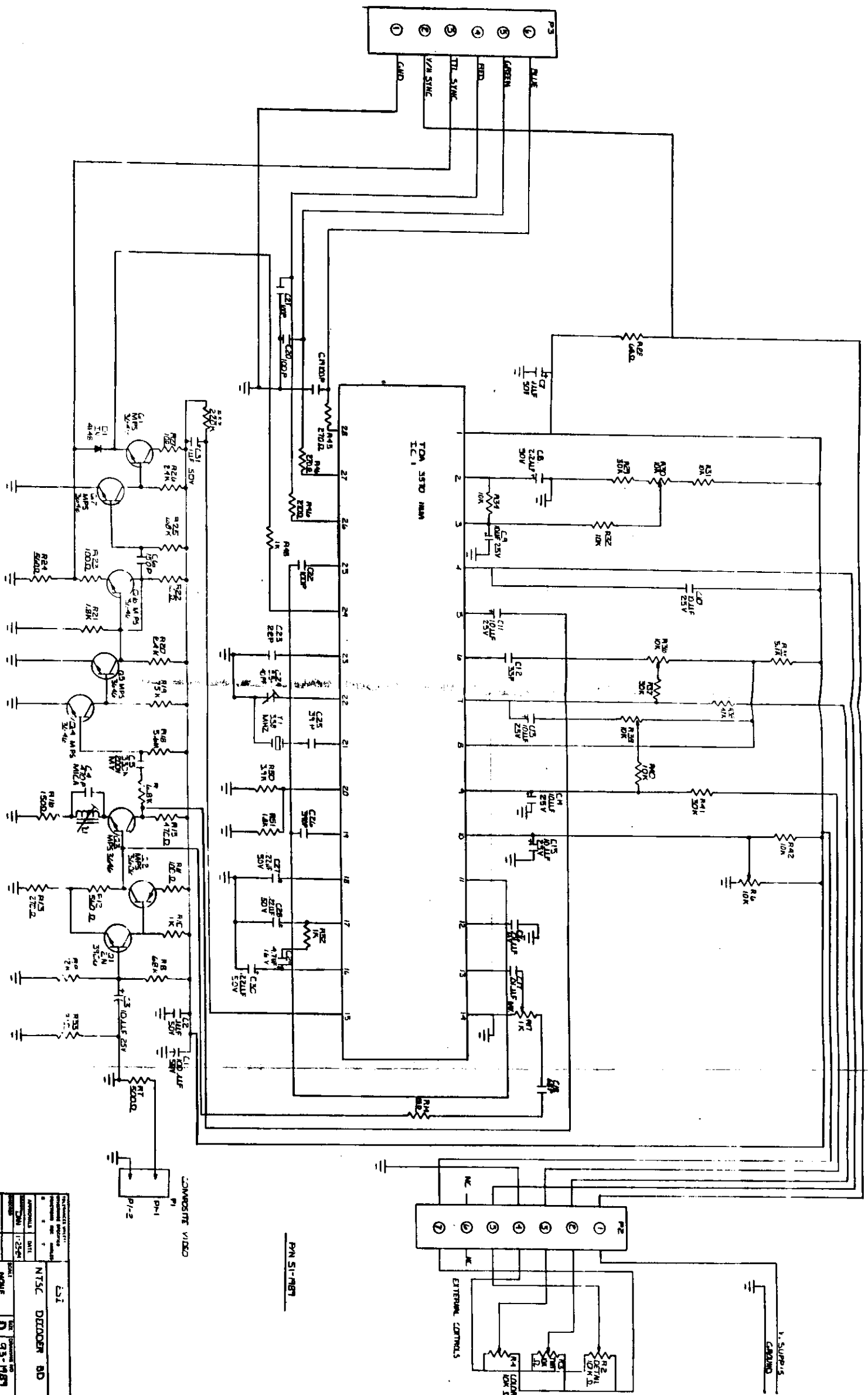
CITY	STATE	COUNTRY

DATE	BY
4-30-41	

CONTRACT NO.	

SCALE	

PROJECT NO.	93-717

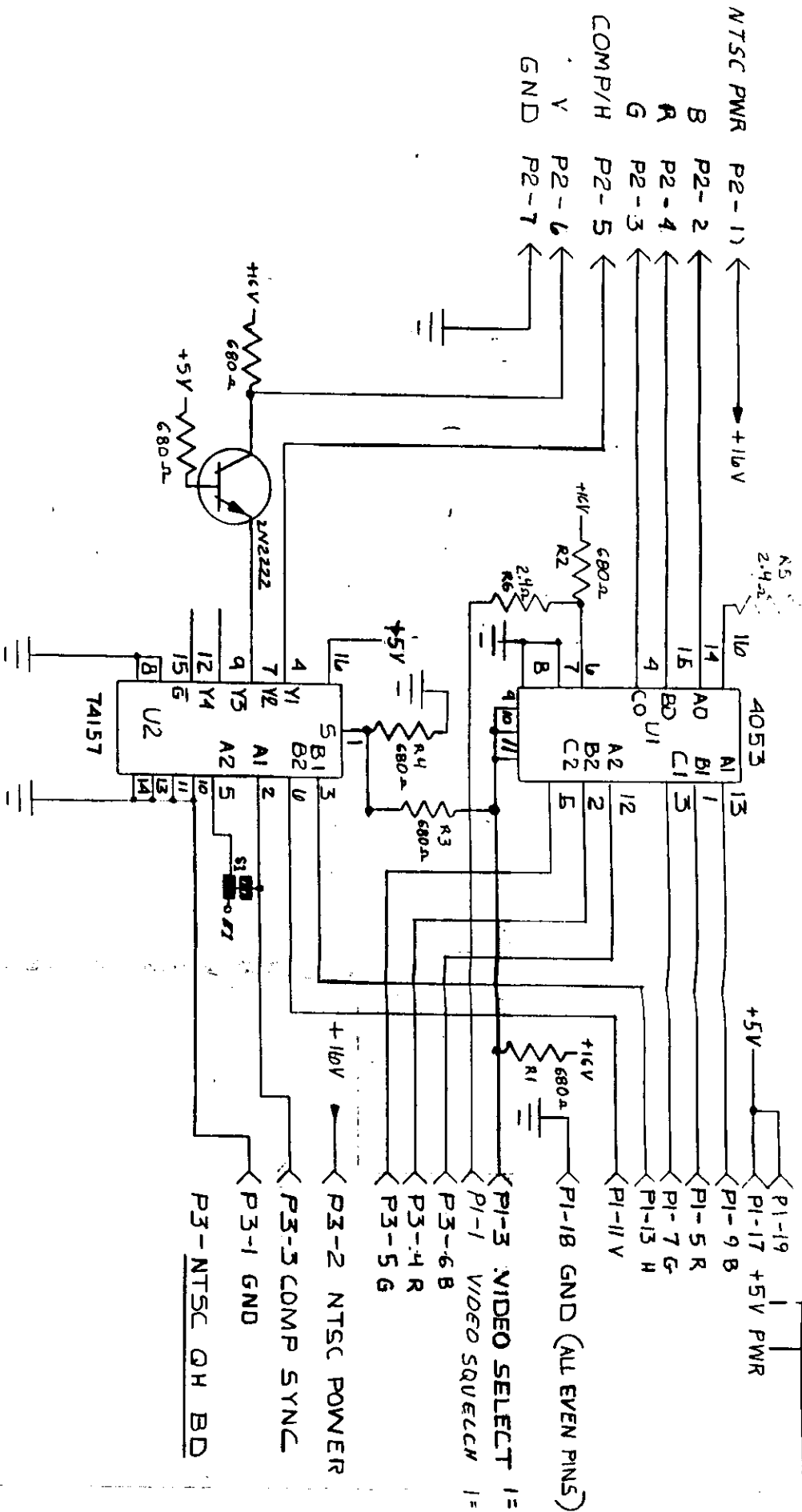


PN 51-187

DATE	1-23-64
DESIGNED BY	W. J. BROWN
CHECKED BY	D. J. BROWN
APPROVED BY	D. J. BROWN
SCALE	1:1
PROJECT	NTSC DECODER BD
DO NOT SCALE DRAWING	

P2 - COLOR MONITOR

P1 - POKERBD



REVISIONS		DATE	APPROVED
LTR	DESCRIPTION		

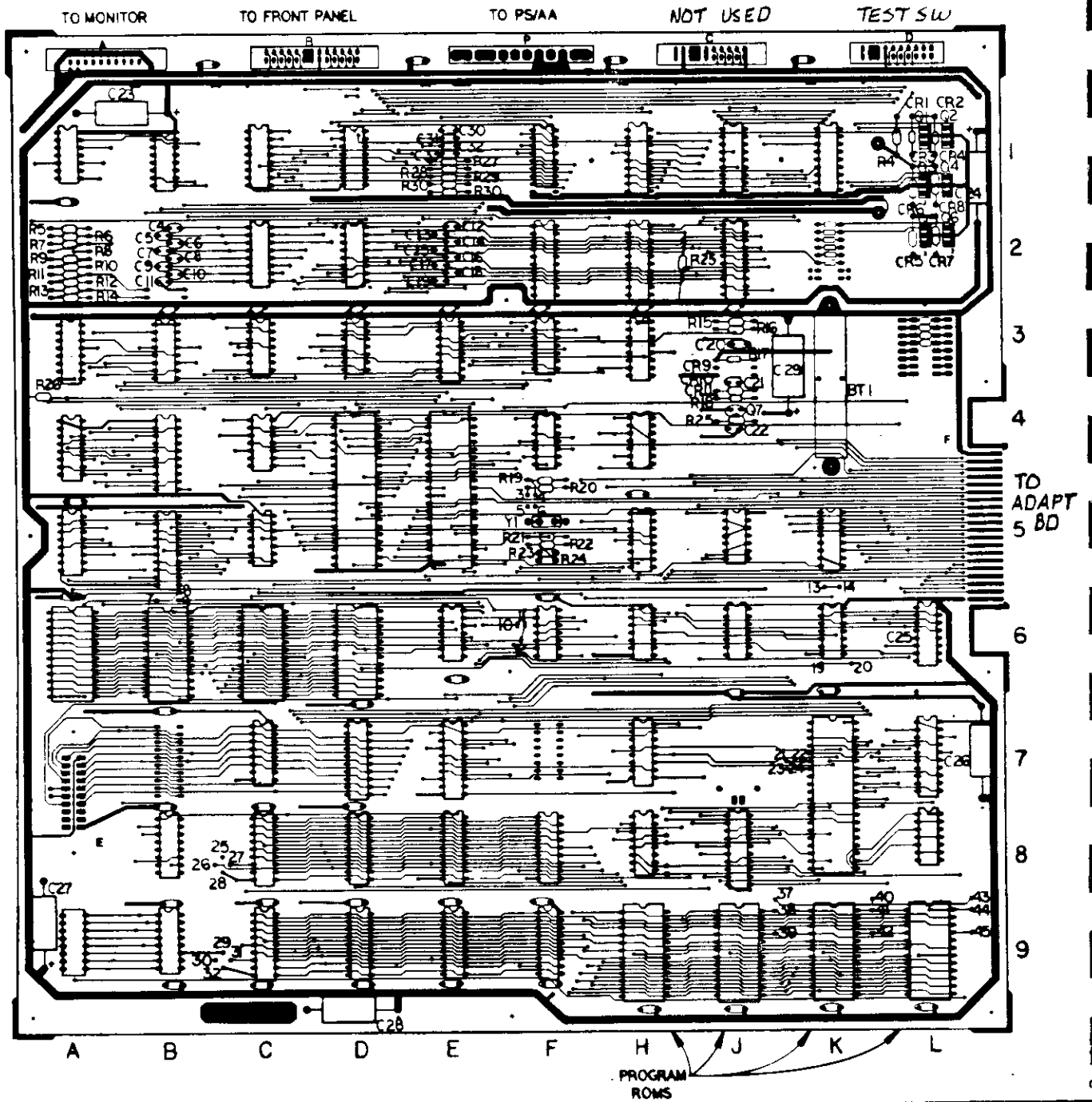
REV B' 8-5-83
 REV A' 5/31/83 DAN

TOLERANCES UNLESS OTHERWISE SPECIFIED
 FRACTIONS DEC ANGLES ± ± ±

ES.I
 VIDEO SWITCHER

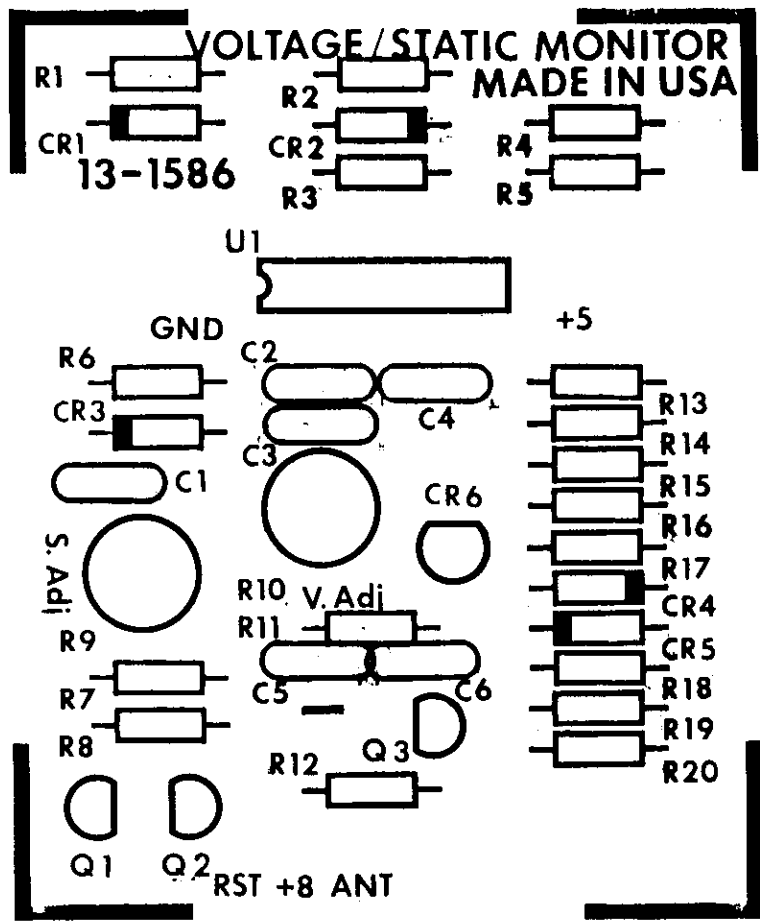
APPROVALS	DATE	SCALE	SIZE	DRAWING NO.
DAN	5-9-83	(51-2322)	B	93-2834
CHECKED	SHIB	NONE		
DO NOT SCALE DRAWING				
				SHEET 1 OF 1

1. CUT SI TO USE E1 AUX VERT SYNC INPUT WITH P3
 NOTE:



COMPONENT
SIDE

ESI	
QH	PROCESSOR BD
7.2	R 5/5/83



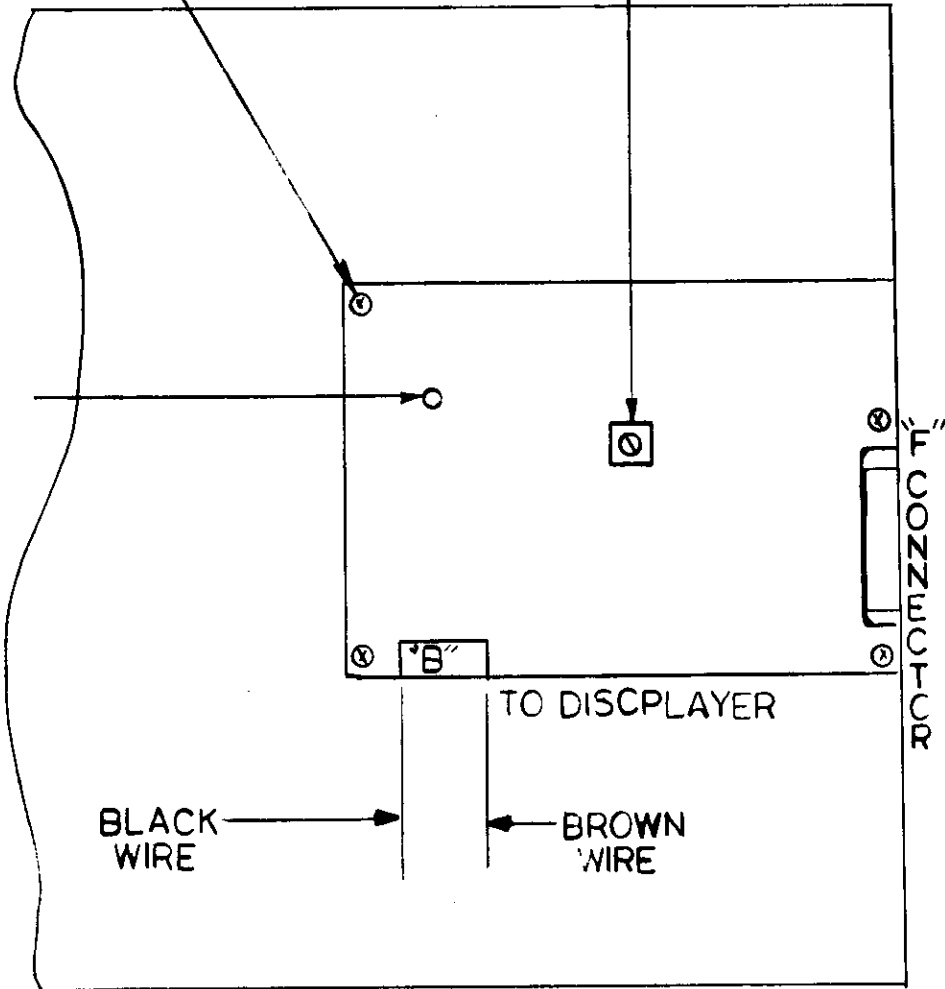
ELECTRO SPORT INC.			
TITLE: VOLTAGE/STATIC MONITOR			
DATE: JULY 82		SCALE: 2:1	
SHEET NO. of 4	DWG. NO.:	13-1586	REV.

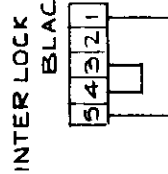
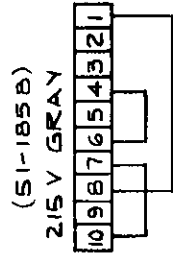
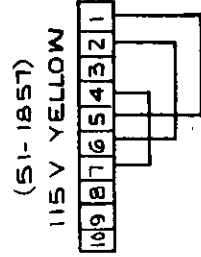
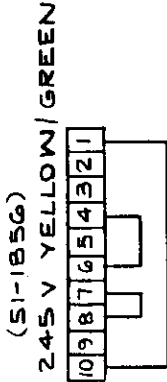
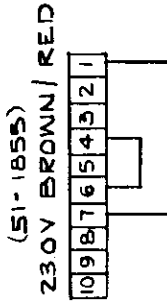
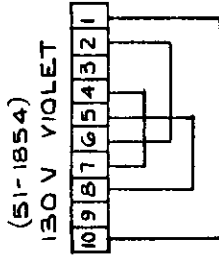
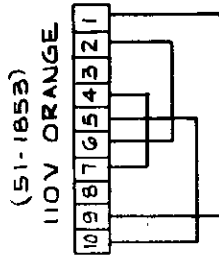
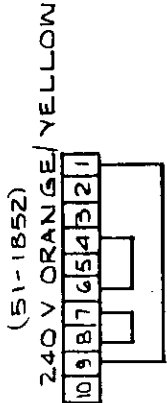
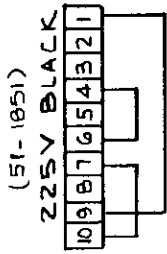
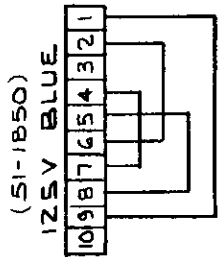
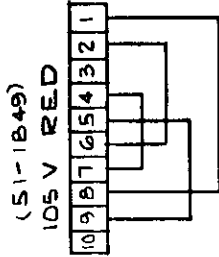
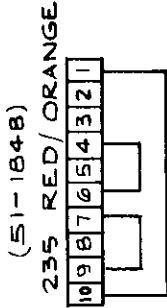
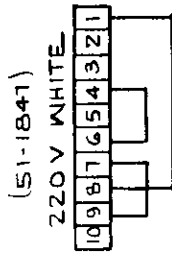
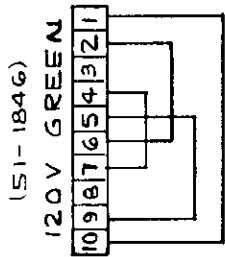
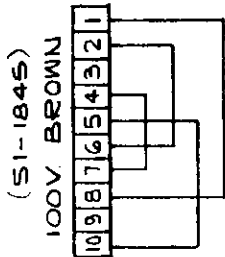
ADAPTOR BOARD LAYOUT

4-40x1/4"
SCREW WITH
1" SPACERS

VOLUME ADJ POT

L,E,D





NOTE: ALL WIRE TO BE 22 GAUGE. FOR
USE ON A CE156-F22-10 PANDUIT
CONNECTOR PIN 18-1425 AND A
PANDUIT EC-156-10 COVER P/N

ELECTRO-SPORT INC.

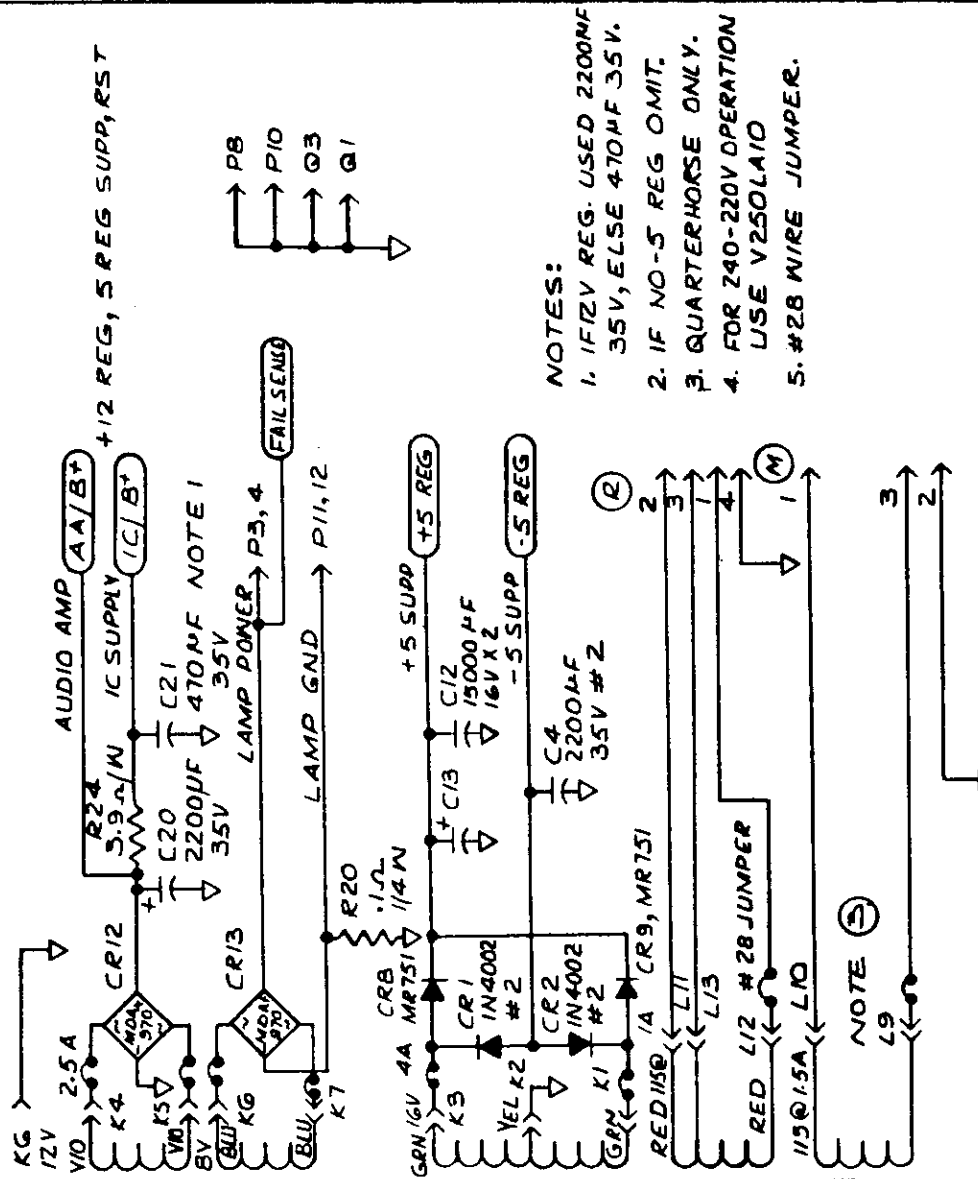
SCALE: NONE APPROVED BY: *[Signature]*

DATE: 2.7.82 REVISED

VOLTAGE SELECT PS/AA II

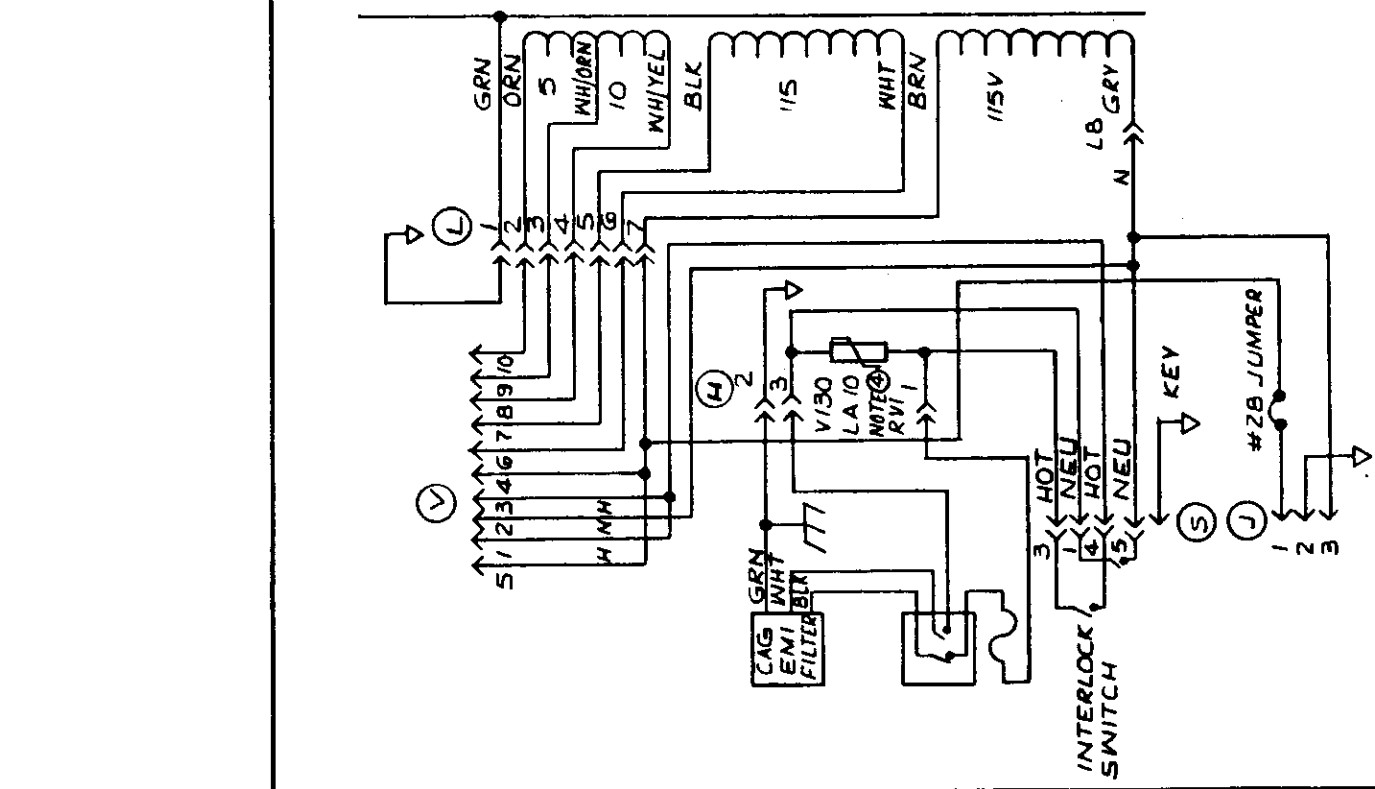
DRAWING NUMBER

90-1425

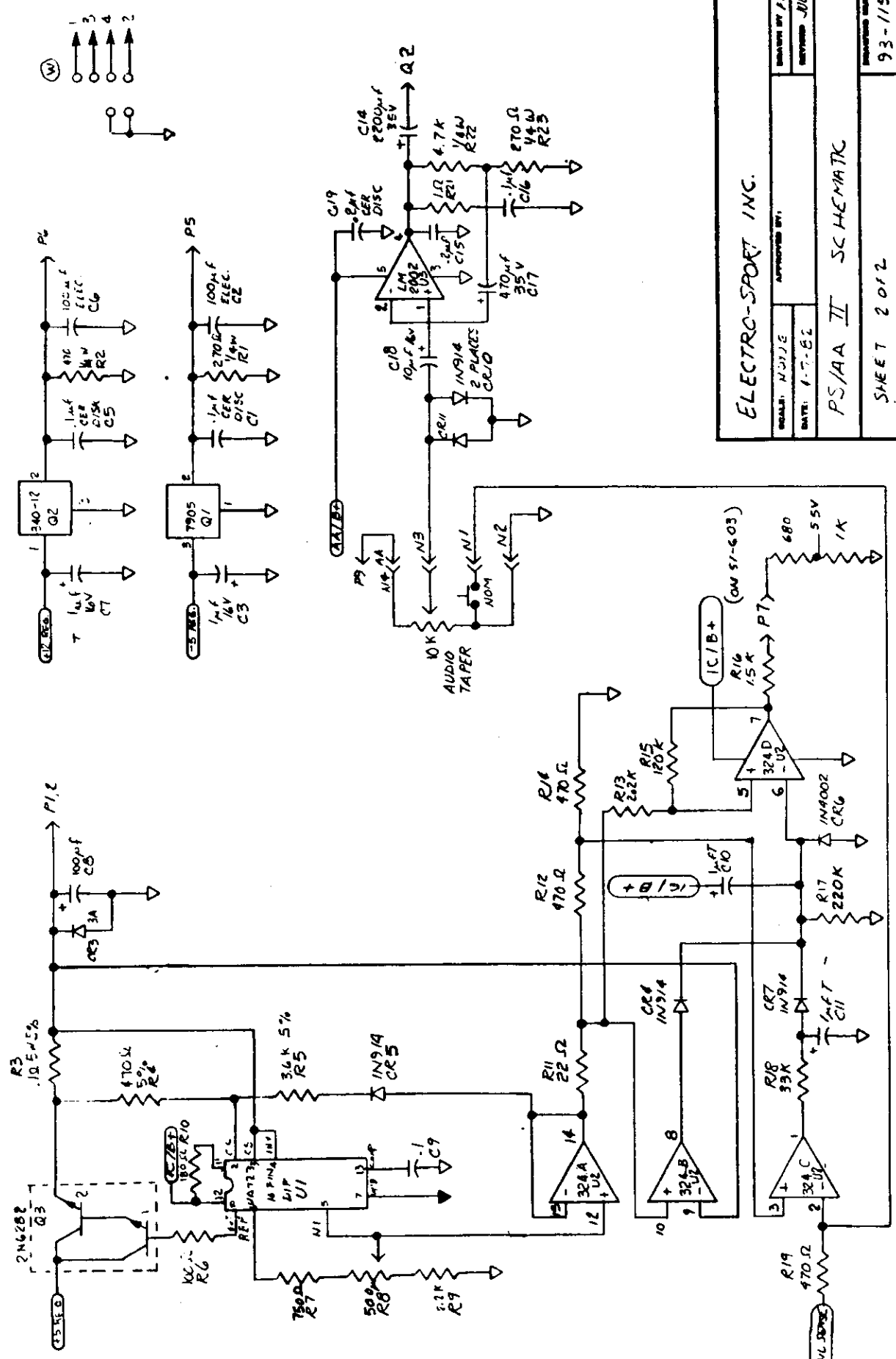


ELECTRO-SPORT INC.
 SCALE: NONE
 DATE: 1.26.83
 PS AA II SCHEMATIC
 SHEET 1 OF 2

- NOTES:
1. 1F7ZV REG. USED 2200MF 35V, ELSE 470MF 35V.
 2. IF NO-5 REG OMIT.
 3. QUARTERHORSE ONLY.
 4. FOR 240-220V OPERATION USE V250LA10
 5. #28 WIRE JUMPER.



REV A RE-DRAWN 1.26.83 A.K.O



- 1
- 3
- 3
- 4
- 2

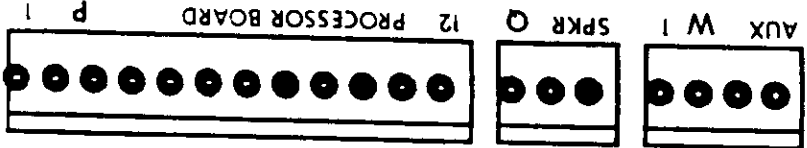
ELECTRO-SPORT INC.

DESIGNED BY: N.J.P.J.E.
 DATE: 4-7-82
 APPROVED BY: [Signature]
 DRAWING NO: PS/AA II
 REVISED: JULY 82

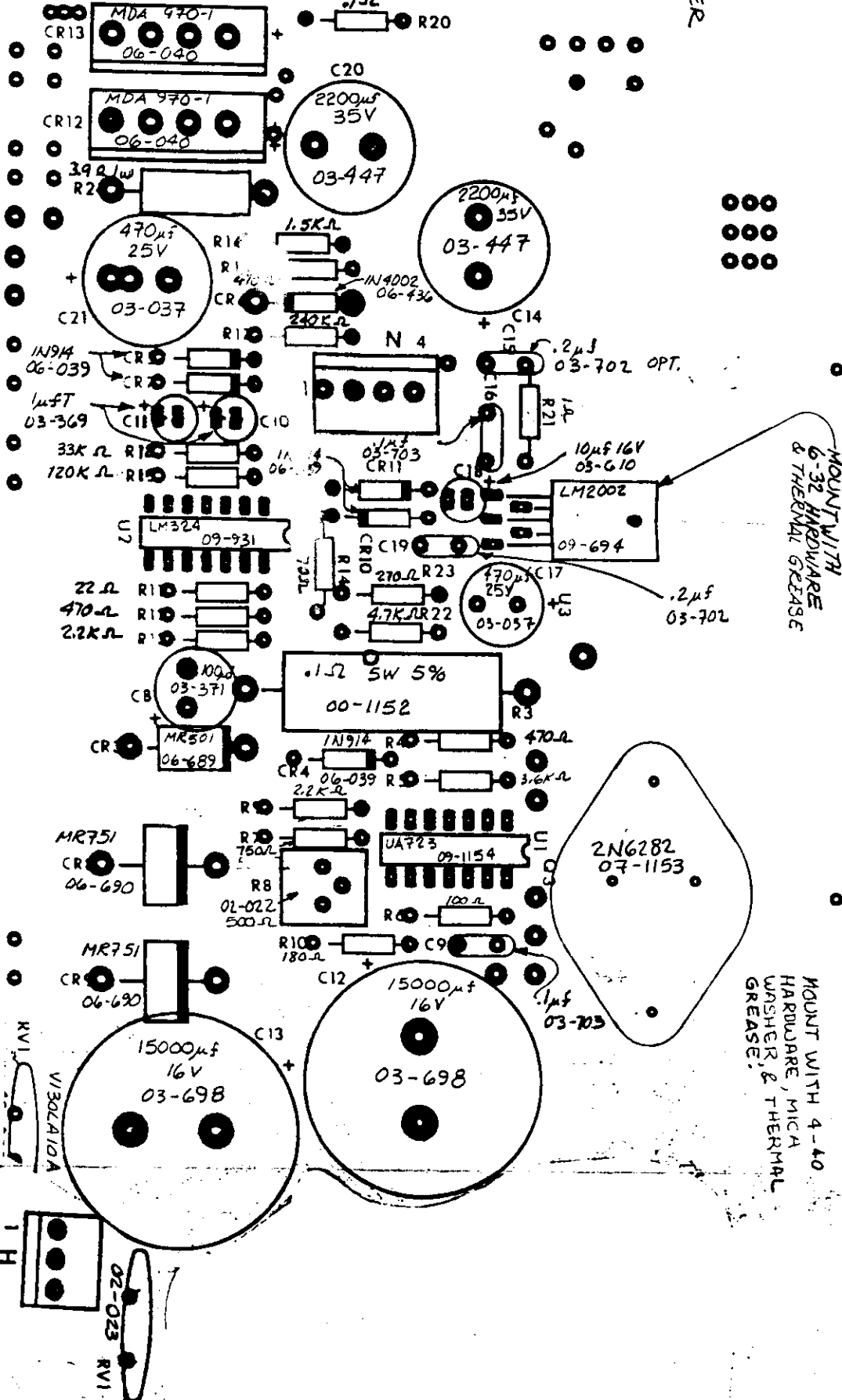
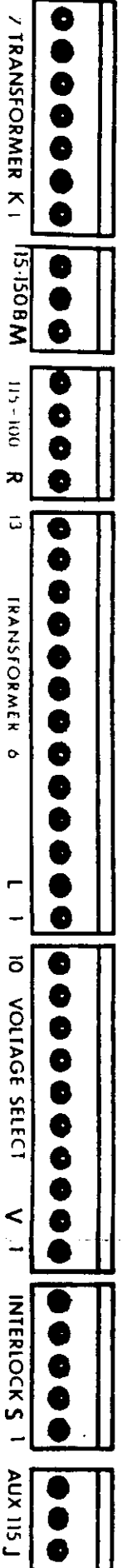
SHEET 2 OF 2
 93-115



REDUCE TO 8.250 ± .005



NO HEADER



MOUNT WITH 6-32 HARDWARE & THERMAL GREASE

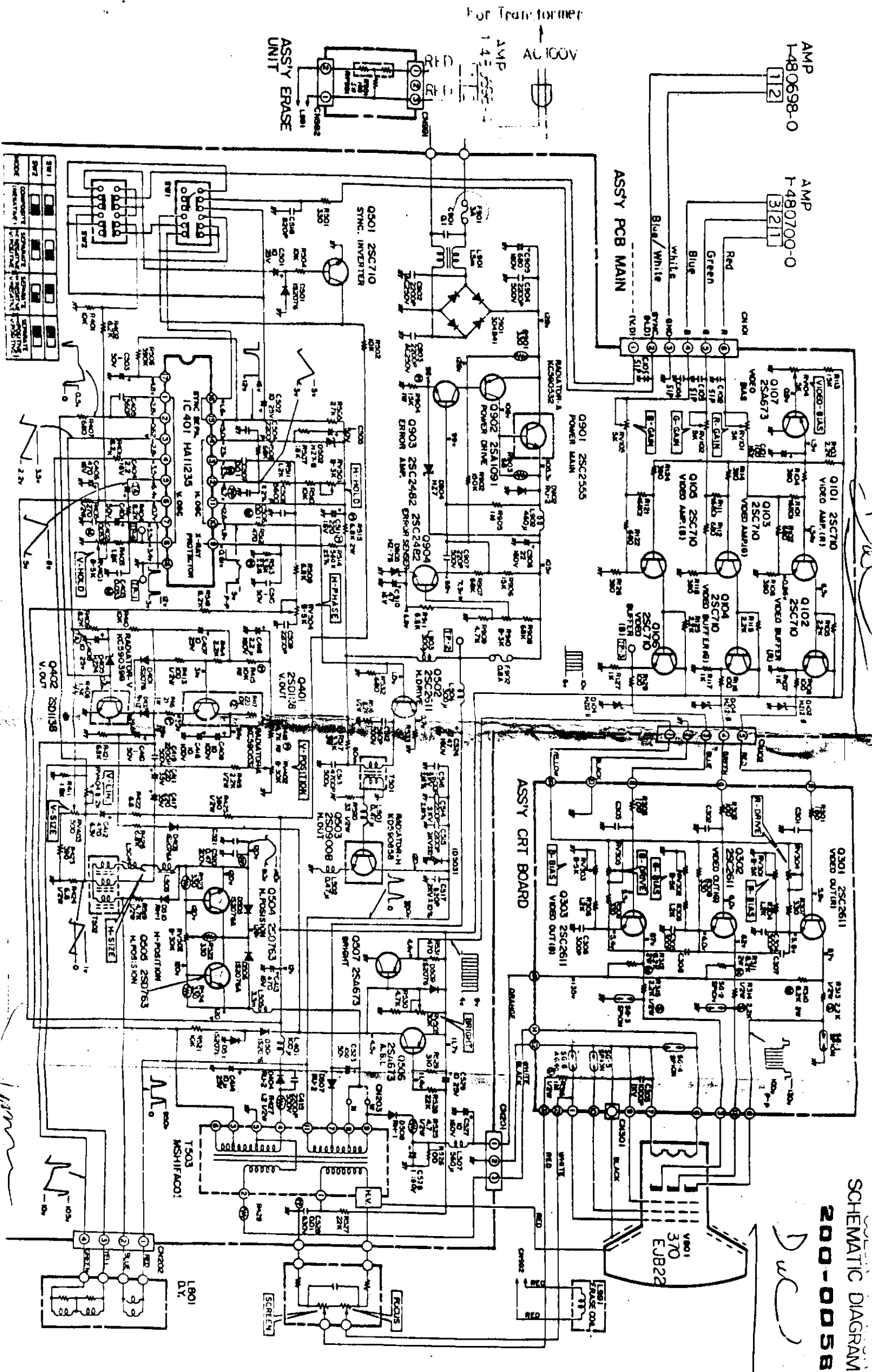
MOUNT WITH 4-40 HARDWARE, MICA WASHER, & THERMAL GREASE.

COPYRIGHT © 1972

ELECTRO SPORT INC.

PS/AA II 13-1148 B MADE IN USA

SCHEMATIC DIAGRAM
200-0058

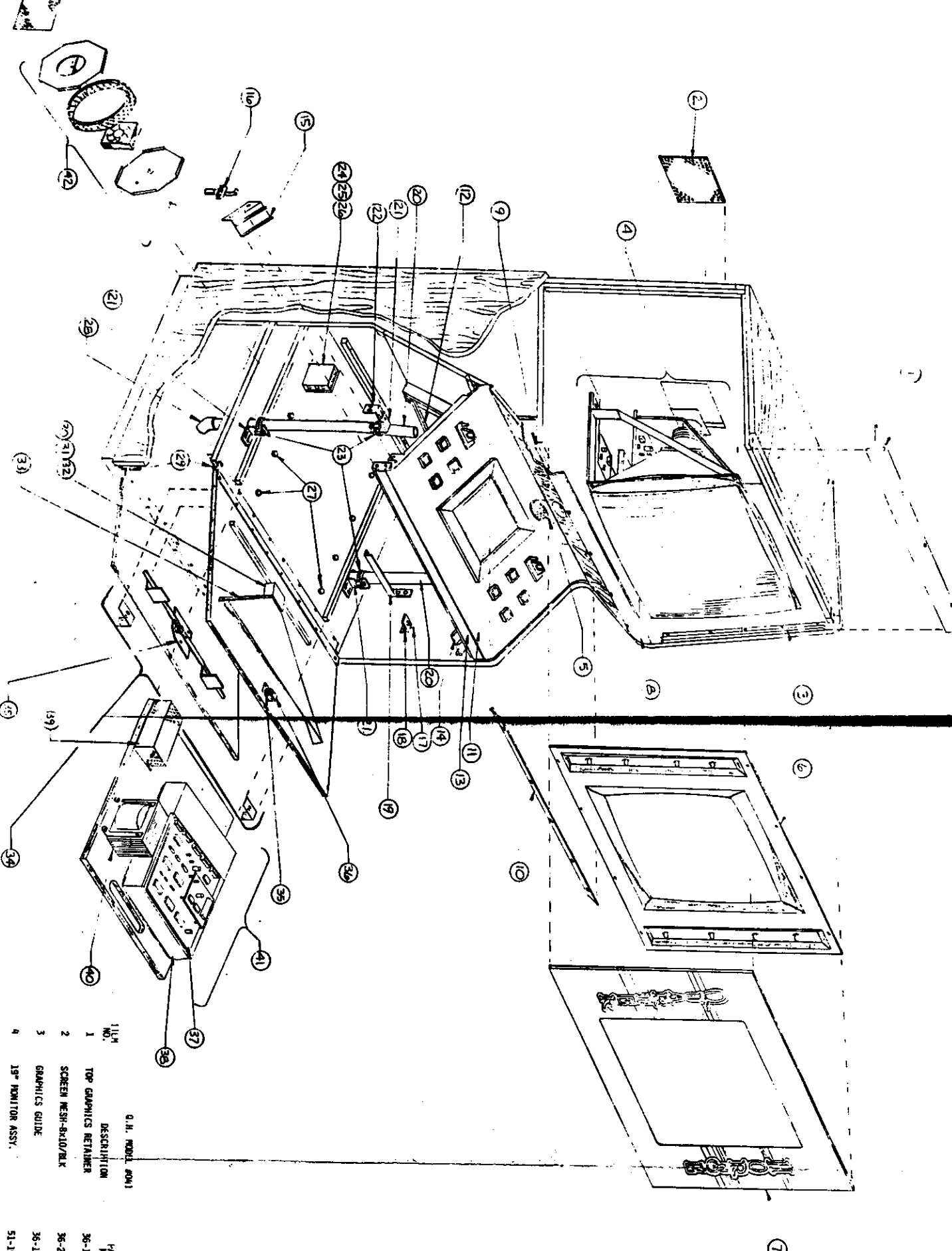


Quarterhorse Owner's Manual

Cabinet Layout

041 Cabinet Assembly and Part Numbers.....6.1
042 Cabinet Assembly and Part Numbers.....6.2
045 Cabinet Assembly and Part Numbers.....6.3
Fan Assembly.....6.4

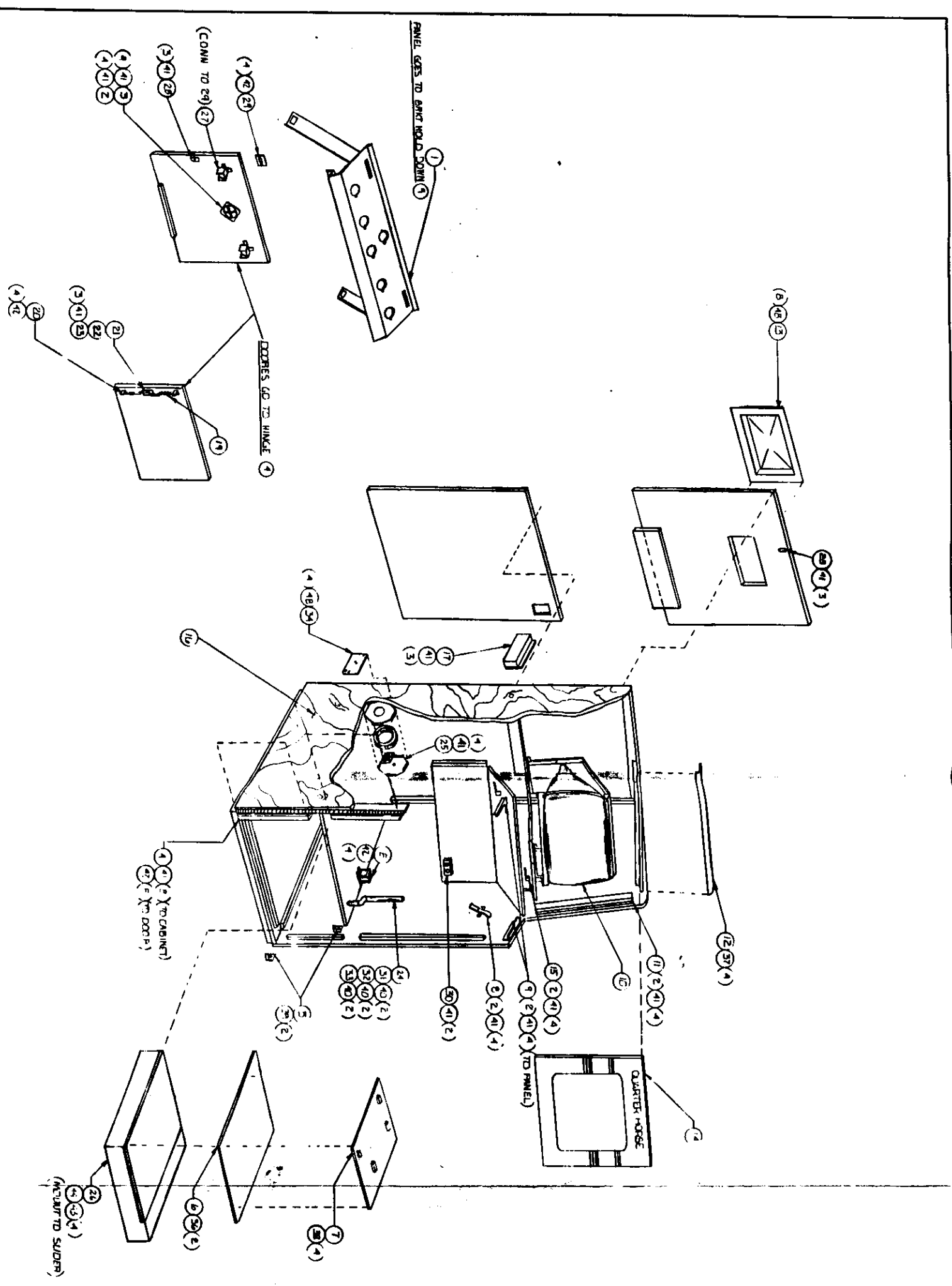
CABINET LAYOUT



ITEM NO.	DESCRIPTION	PART NO.
1	TOP GRAPHICS RETAINER	36-1963
2	SCREEN MESH-8X10/RLX	36-296
3	GRAPHICS GUIDE	36-1965
4	19" MONITOR ASSY.	51-1939
5	SPEAKER GRILL 10x6.5	36-2131
6	BEZEL ASSY. 19" MONITOR O.H.	51-2040

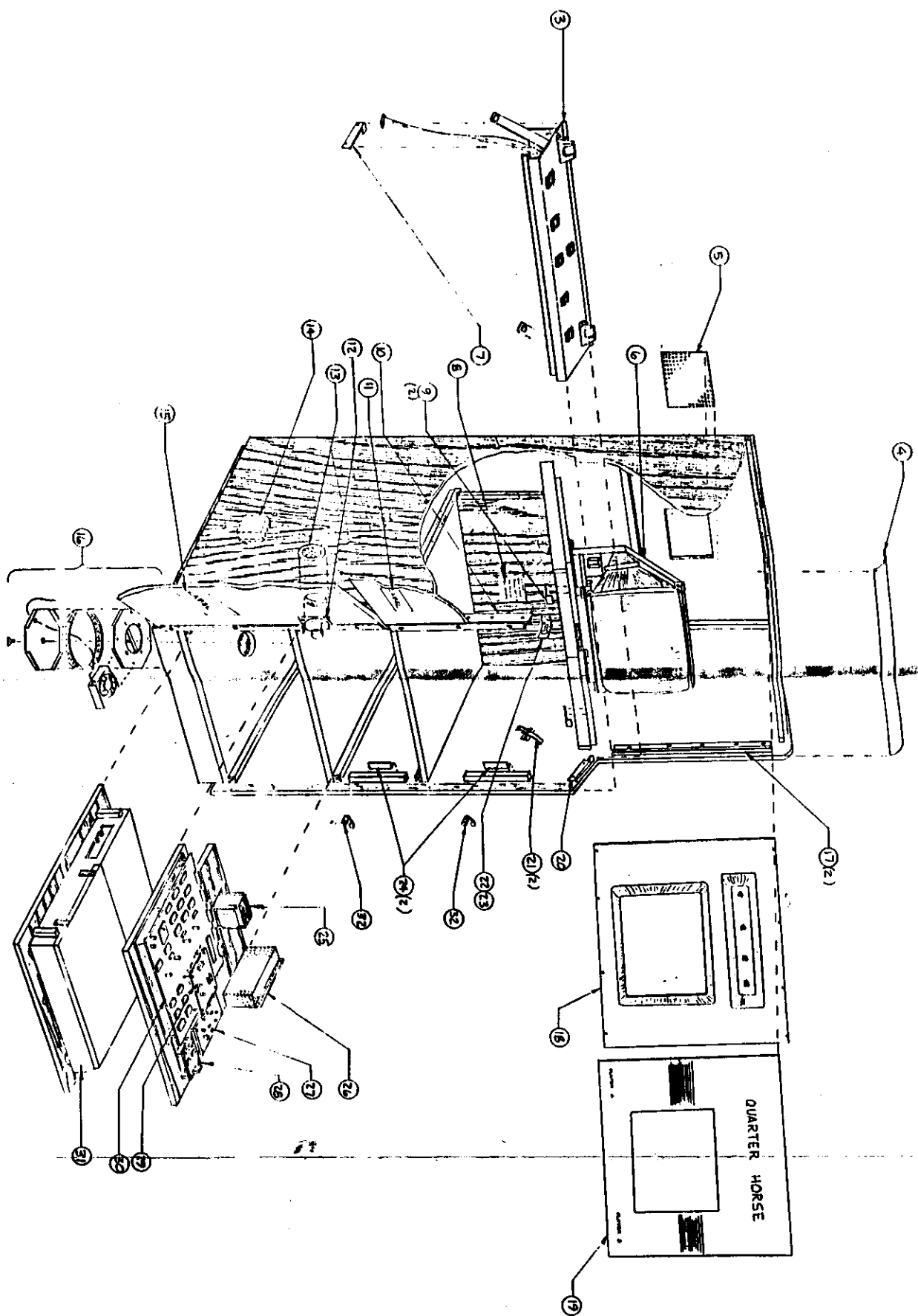
7	PANEL, TOP GRAPHICS	35-1916
8	BOTTOM GRAPHICS RETAINER	36-1967
9	BOTTOM GRAPHICS STOP	36-1966
10	TRIM STRIP	36-1968
11	FRONT PANEL ASSY.	51-1935
12	19" MONITOR	51-1797
13	CROSS BRACE	36-1975
14	R/W COIN RETURN CHUTE	36-1971
15	L/W COIN RETURN CHUTE	36-1972
16	BASSICK, SERIES W. NR-1 CLAMP	33-958
17	SWITCH, SUB-MIN TOGGLE SPOT	16-809
18	1093 BKRT.-NESET SWITCH	36-231
19	DISC PLAYER DOOR STOP	36-2094
20	PIPE, PVC, 1" SCHEDULE 20	43-1659
21	BKRT., PIPE TIE-DOWN-LOWER	36-1655
22	BKRT. TUBE SUPPORT	36-1969
23	CLAMP, WORN GEAR 1-1/16" TO 2"	21-1660
24	RECEPTACLE, DUPLEX 3 WIRE A/C	18-1073
25	BOX, O.H.-A/C DISTRIBUTION	36-1053
26	COVER, METAL-A/C DIST. BOX	36-1072
27	PLASTIC GLIDE	43-20M5
28	ELBOW, PVC PIPE 1" 45 DEGREE	43-1987
29	HINGE COIN & ELEC. DOORS	33-1974
30	CATCHER, COIN RETURN	36-1652
31	PLATE COIN RETURN	36-1654
32	SAFETY LID COIN RETURN	36-1658
33	TROUGH COIN RETURN	36-1970
34	CABINET PANEL	86-2005
35	JOSEB PLATE - REAR DOOR	36-211
36	LOCK 1" AMERICAN LOCK #2118	33-1463
37	ASSY. PROCESSOR/MEMORY	51-2907
38	ASSY. VID - DISK P80210 10 S1-895	51-1902
39	ASSY. COMPLETE PS/MA-11	51-1157
40	ASSY. 3PWR 100V PS/MA-11	51-20M1
41	ASSY. ELECTR. PACKAGE	51-2060
42	FAN/FILTER	51-1899

ELECTRO-SPORT INC.
 10101
 QUAKER HORSE ASSY AND PARTS
 LOCATION DRAWING
 92-2101



QTY	DESCRIPTION	UNIT	ASSEMBLY
1	1	PLAYER PANEL	30-204
2	1	RANG SPEAKER GRILL (ROUND GRILL)	30-225
3	1	4" SPEAKER	30-116
4	1	"NOSE"	30-116
5	2	TOP/BOTTOM DOOR LOCK	30-212
6	1	GAME BD MOUNTING PLATE	30-404
7	1	QH GAME BD	8-240
8	2	CLAMP H-R-I	33-143
9	2	BRKT HOLD DOWN R/L SIDE	30-187
10	1	SEGA LOGO	30-193
11	2	GRAPHICS CLIP	30-216
12	1	TOP GRAPHICS RETAINER	30-225
13	1	DOOR COVER FOR 19" MON	35-27
14	1	GRAPHICS SCREEN	30-607
15	2	BOTTOM GRAPHICS HOLDER	30-107
16	1	CAB (WOOD) ASSY	80-232
17	1	P5-AA-II ASSY	91-157
18	1	XBAR ASSY	91-124
19	2	BAR LOCKING SWORT	30-115
20	2	GUIDE-LOCKING BAR	30-212
21	1	LOCK KD	33-208
22	3	PLATE-REAR DOOR	30-211
23	1	CAM LOCK BAR, BELL CRANK	30-215
24	2	PVC PIPE (3/4")	43-165
25	1	FAN & FILTER	51-894
26	1	PLAYER VIDEO DISK	30-100
27	2	CATCHER COIN RETURN	30-162
28	1	LOCK XL	30-208
29	2	PLATE (CAM)	30-404
30	1	AC DIST BOX	30-072
31	2	BRKT PIPE TIE DOWN-LOWER	30-145
32	2	BRKT PIPE TIE DOWN-UPPER	30-145
33	2	BRKT TUBE SUPPORT	30-187
34	1	RNG (SPEAKER GRILL) (BLK)	80-114
35			
36	2	SCREW #6-180 PH PNL MTL	80-108
37	4	WASHER 1/2" DIA. 1/4" THK	80-278
38	4	RD. STANDOFF 3/4" NYLON	81-812
39	2	DOOR-2" CRGE DOOR BLK	80-015
40	6	B-32-000" PH PNL MTL	80-185
41	13	SCREW 20-20" PH PNL MTL	80-187
42	20	DOOR-1 1/2" CRGE DOOR/DOOR	20-1562
43	4	DOOR-1 1/2" PH PNL MTL	20-141
44	4	MOUNT SHOCK	81-823
45	26	DOOR WASHER-FLAT	80-117
46	30	DOOR WASHER-LBK	20-148
47	25	DOOR-24 NEX BOLT	20-148
48	12	DOOR-1 1/2" PH PNL MTL	80-158
49			

EST
 ASSY DWGS & PARTS LOCATION
 DATE: 12-30-85
 DRAWN BY: D
 CHECKED BY: D
 DO NOT SCALE DRAWING



ITEM NO.	DESCRIPTION	PART NO.
1	SPARE	
2	SCREEN	51-2335
3	PLAYER PANEL ASSY	36-2318
4	TOP SCREENS RETAINER (BLK)	36-196
5	SCREEN W/PT	36-1704
6	MONITOR 13" SEGA	36-1898
7	BRKT. HOLD DOWN R.	24-3202
8	TOP SCREENS BRACKET	36-1079
9	SCOTCH GRAPHICS HOLDER	35-2312
10	W/KEY	24-2281
11	LABEL	50-196
12	SPEAKER	36-2159
13	PAW-SPEAKER BILL BOARD (BLK)	36-1053
14	BOX - A/C DISTRIBUTION	24-2292
15	LABEL	51-1899
16	PAN & FILTER ASSY.	36-2260
17	GRAPHICS GUIDE	35-088
18	BEZEL	35-2258
19	GRAPHICS PANEL	36-1868
20	BRKT. HOLD DOWN (UPPER L)	35-098
21	CLAMP W/1	36-227
22, 23	ASSY. TEST SWITCH	51-2105
24	DOOR LOCK BRKT.	51-1408
25	W/PAW	51-1157
26	PS/AA-11	51-2189
27	MISC BOARD ASSY.	51-2322
28	VIDEO SWITCHER BOARD	51-2407
29, 30	ASSY. PROCESSOR/ADAPTER	36-1901
31	DISP/AYER	

ESTD	DATE	BY	CHKD
1973-10-23			
DO NOT SCALE DIMENSIONS			

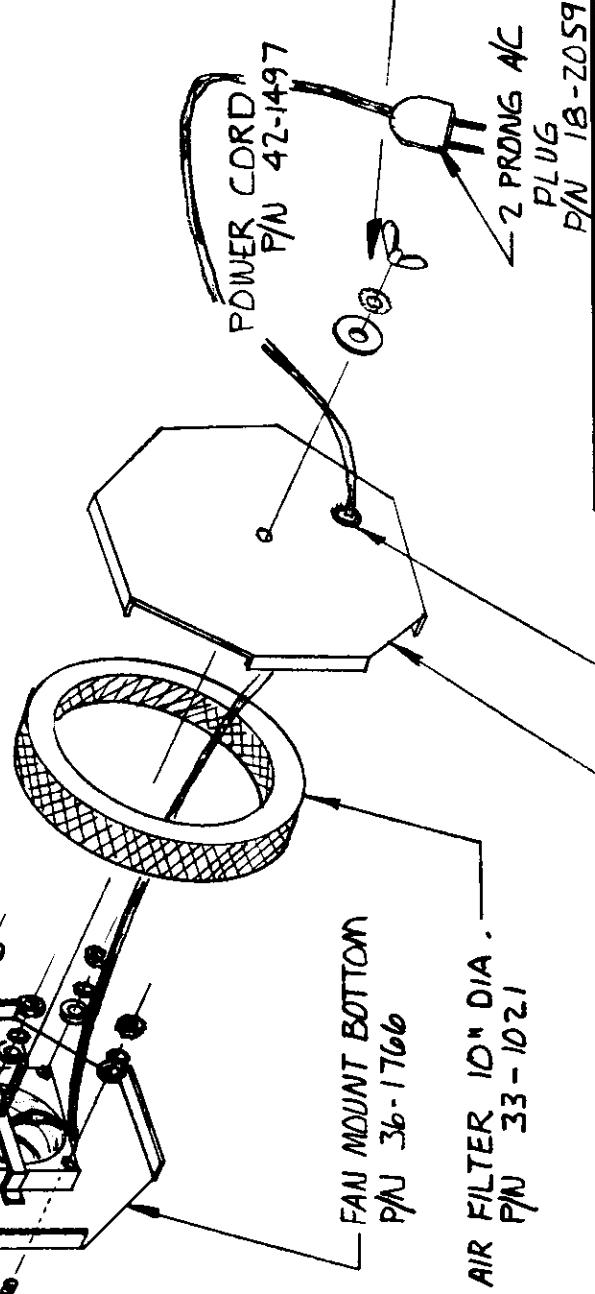
REVISIONS		
LTR	DESCRIPTION	DATE

#6-32 x 5/8" PAN HD PHIL.
P/N 20-472 (4-PLCS)

FAN P/N 32-987

#6 FLAT WASHER P/N 20-141
#6 LOCK WASHER P/N 20-139
#6-32 HEX NUT P/N 20-140
(TYP 4-PLCS)

10" FILTER
ESI P/N - 33-1021
NAPA P/N - Z054 OR EGV.
FRAM P/N - CA-184PL



FAN MOUNT BOTTOM
P/N 36-1766

AIR FILTER 10" DIA.
P/N 33-1021

FAN MOUNT TOP
P/N 36-1767

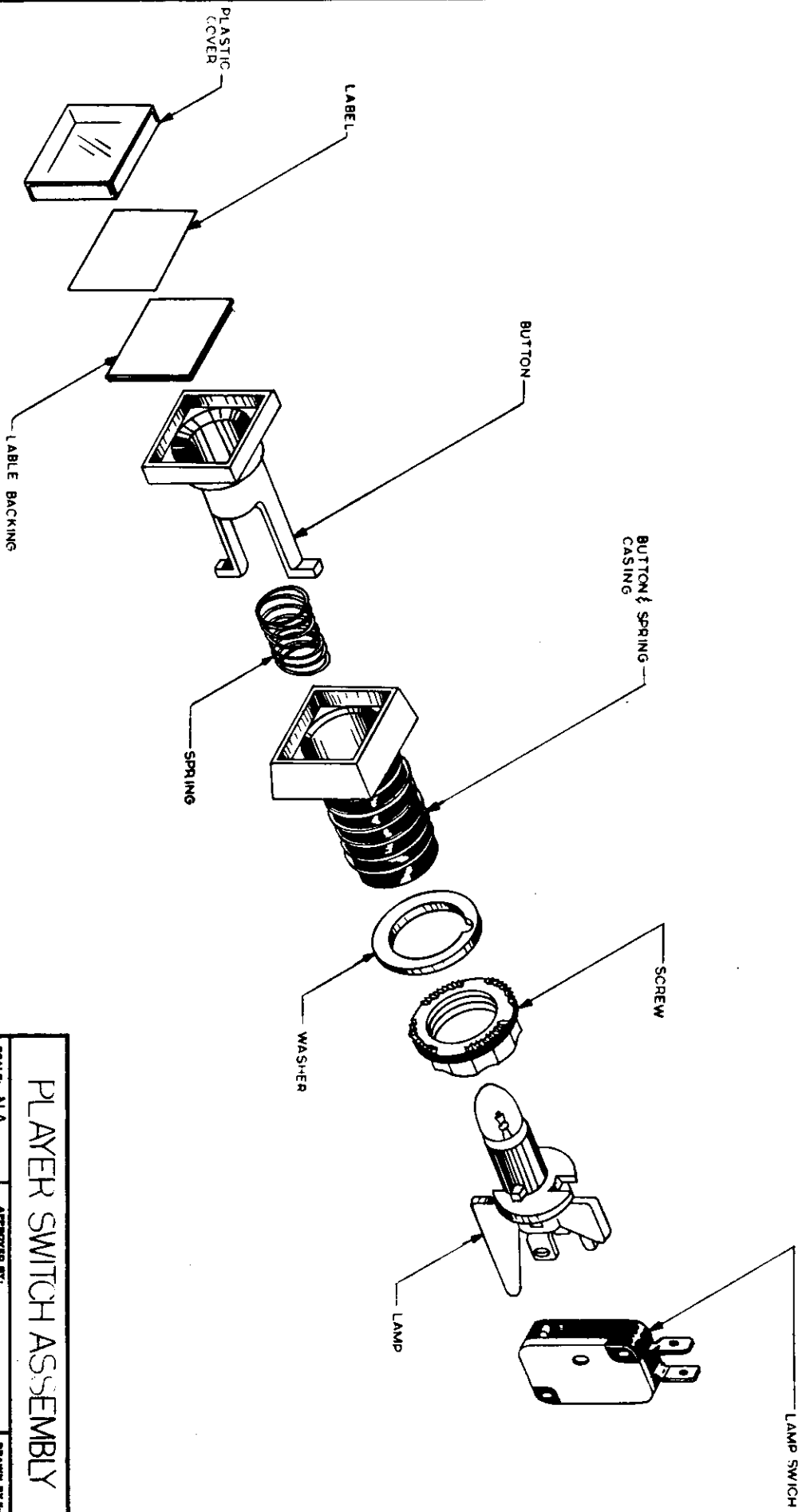
GROMMET
P/N 43-1897

#10 FLAT WASHER
P/N 20-147
#10 LOCK WASHER
P/N 20-148
#10-32 WINGNUT
P/N 20-1896

POWER CORD
P/N 42-1497

2 PRONG AC
PLUG
P/N 18-2059

TOLERANCES UNLESS OTHERWISE SPECIFIED		ESI	
FRACTIONS	DEC	SIZE	DRAWING NO.
±	±	A	92-1899
APPROVALS	DATE	SCALE	DO NOT SCALE DRAWING
DRAWN <i>DR</i>	1/20/84		SHEET
CHECKED <i>SS</i>	8402100		
FAN/FILTER ASSY			



PLAYER SWITCH ASSEMBLY

SCALE: NA
 DATE: 4/82
 APPROVED BY: L. LAMBERT
 DRAWN BY: MICHAEL S. SMITH
 REVISION

ELECTRO SPORT INC.

DRAWING NUMBER
 89-989