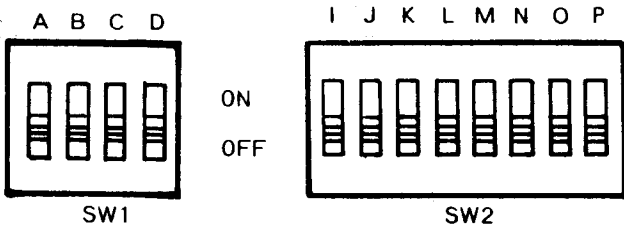
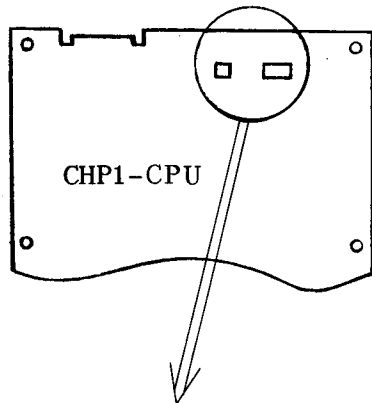


ADJUSTMENTS

CHP1-UP-US

1. Option Switch Settings

You can set Game Price, Game Difficulty, Time, Attract Music, Rematch, and Self-Test on the Game PCB.

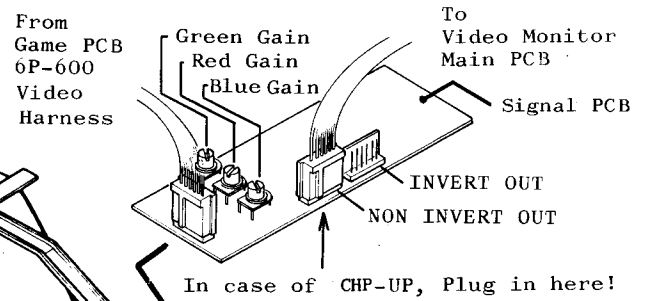
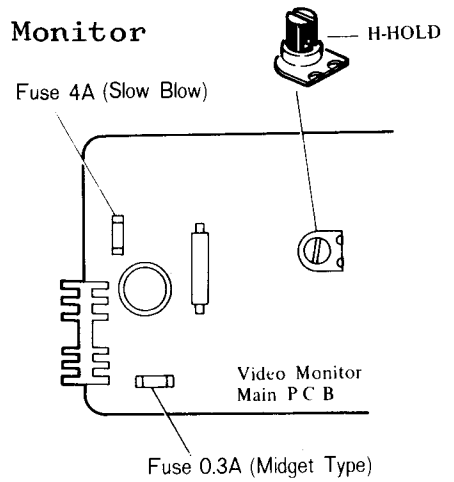


Game Price

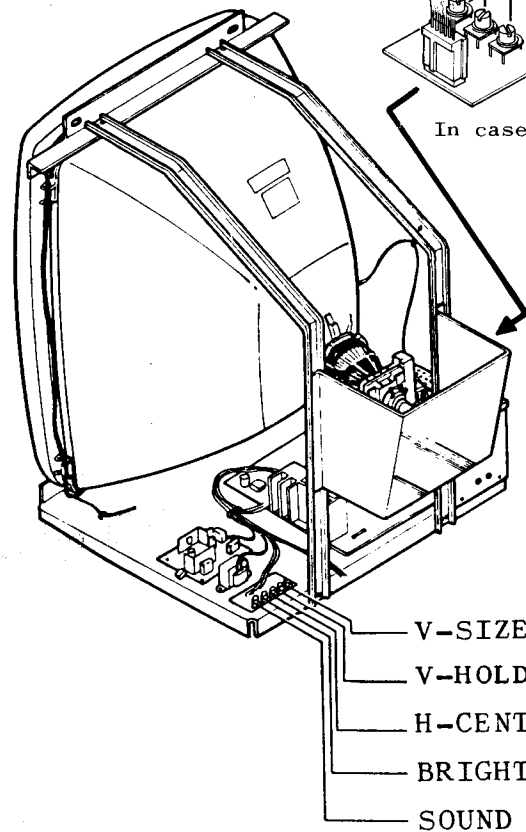
credit/coin	Toggle(SW1) Settings			
	A	B	C	D
1/3	OFF	OFF	ON	ON
1/2	ON	OFF	OFF	OFF
1/1	OFF	OFF	OFF	OFF
2/1	OFF	ON	OFF	OFF
3/1	ON	OFF	ON	OFF
4/1	OFF	ON	ON	OFF
5/1	OFF	ON	OFF	ON
6/1	ON	ON	ON	OFF
Freeplay	ON	ON	ON	ON

		Toggle (SW2) Settings							
		I	J	K	L	M	N	O	P
Game Difficulty									
Easy	(0)	OFF	OFF						
↓	(1)	ON	OFF						
	(2)	OFF	ON						
Hard	(3)	ON	ON						
Time									
Long	(0)			OFF	OFF				
↓	(1)			ON	OFF				
	(2)			OFF	ON				
Short	(3)			ON	ON				
Attract Music									
Silent	(0)					OFF			
With Music	(1)					ON			
Rematch at a discount									
No	(0)						OFF		
Yes	(1)						ON		
Self-Test/Game									
Game	(0)								OFF
Self-Test	(1)								ON

2. Video Monitor



This Signal PCB is only attached to TPPU-20-00 :Video Monitor [32Type] 20-EZV(R-C).



Do not touch the inside of the Video Monitor in which many parts are supplied with high voltage.

CAUTIONS

- (1) Turn the power off before exchanging and removing the PCB and connectors.
- (2) Do not touch IC, LSI and other electronic parts on PCB. Do not use a tester or the like on them.
- (3) PCB to be stored or transported should be wrapped by a conductive pouch or aluminum foil.
- (4) PCB should not be exposed direct to the sun.
- (5) When soldering, use soldering iron of which end is grounded.