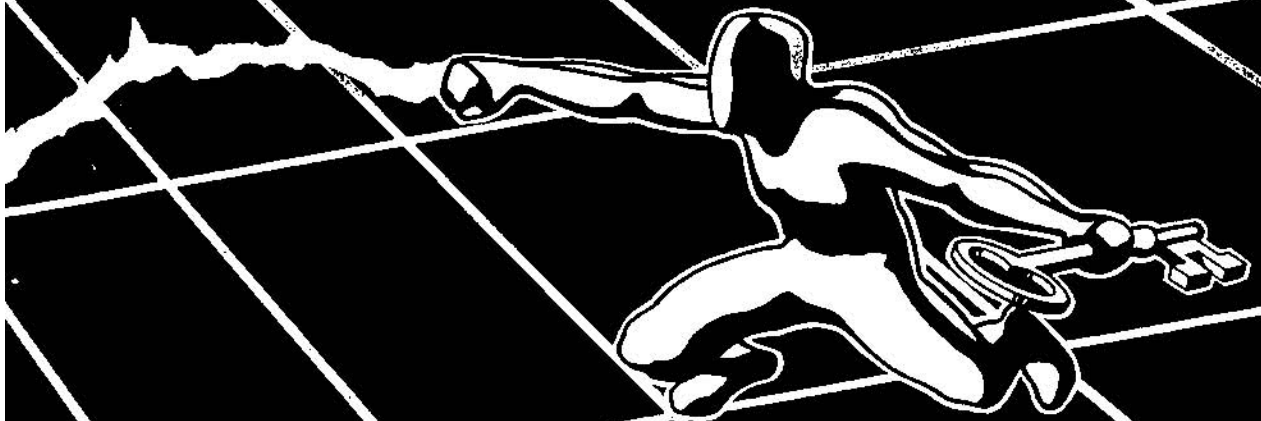


Gremlin/SEGA

PULSAR™

Owner's Manual

Manual Part No. 420-0601



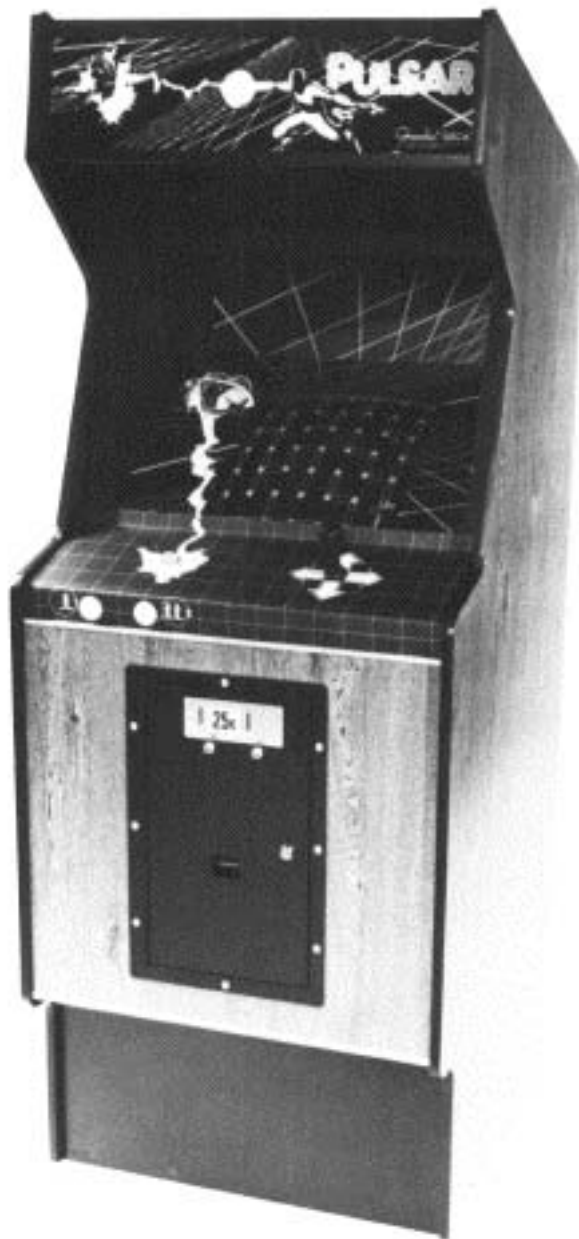
PULSAR™

Owner's Manual

Manufactured By

Gremlin/SEGA
TLX 910-335-1621

PULSAR OWNER'S MANUAL
Copyright© 1981 by Gremlin®/SEGA®, All Rights Reserved



Game Concept

Pulsar is a one or two player game in which players maneuver their tank through a maze in an effort to secure keys necessary to unlock the gate to the next round. Players can move their tank up/down or right/left to maneuver through the maze.

Game Play

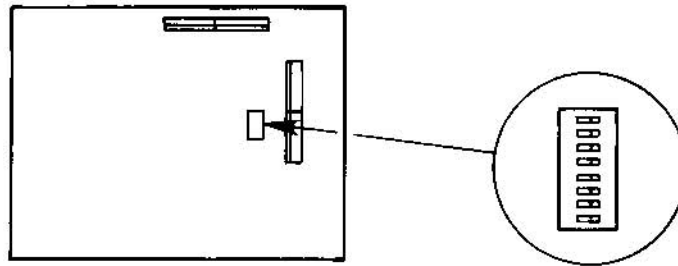
As players travel through the mazes, they are attacked by aliens. There are three distinct aliens and they can be destroyed to assure safe passage through the maze. The first round starts with two keys required to unlock the gate and each successive maze has another key added. The keys must be transported individually. To add further excitement, there is a force field that appears randomly, blocking passageways. If a player's tank is stationary and gets caught in the force field, it will be destroyed. As long as a player keeps his tank moving, it cannot be destroyed by the force field. Players must also keep track of their fuel status. Fuel decreases during the game play. When fuel is completely expended, the tank is destroyed. Players receive fuel when they destroy an alien and are completely refueled when they enter a new round.

Scoring

Each alien ship destroyed is worth 100 points. Every key deposited in the proper lock scores 50 points (which increases with each round). Also if the keys are deposited in order (1 through 5), players receive a double bonus. With a two player game, players alternate after each tank. Players receive 2 to 5 tanks, which is operator adjustable. The game is over when all player's tanks are destroyed. The game ranks players from 1 to 30.

Options Selection

Number of Ships	1	2	3	4	5	6	7	8
2 ships	OFF	OFF						
3 ships	OFF	ON						
4 ships	ON	OFF		Not Used			Not Used	
5 ships	ON	ON						

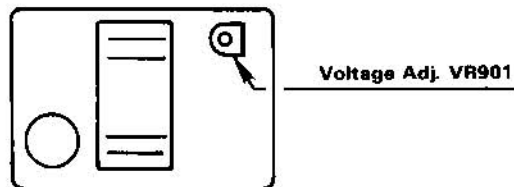
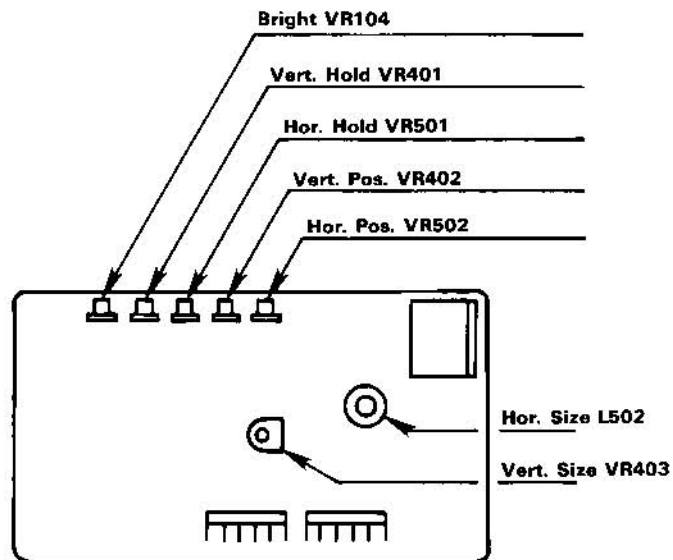
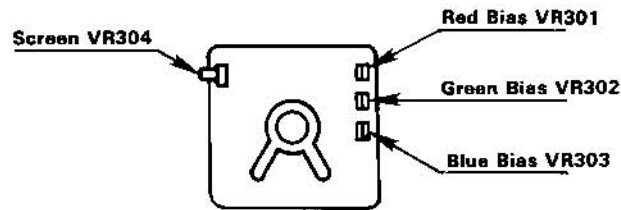


Important Notes

The following note is included in compliance with FCC rules:

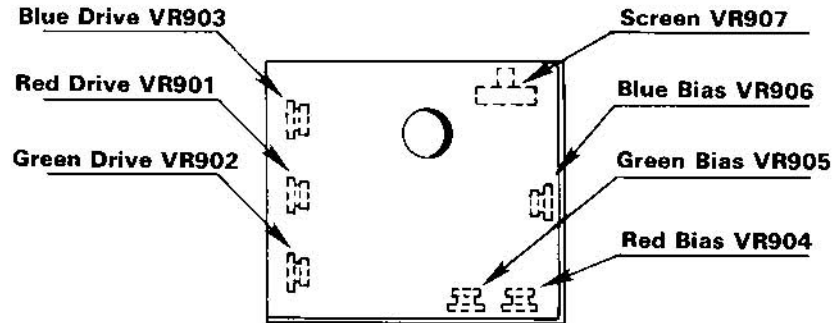
WARNING: This equipment generates, uses, and can radiate radio frequency energy and if not installed and used in accordance with the instructions manual, may cause interference to radio communications. As temporarily permitted by regulation, it has not been tested for compliance with the limits for Class A computing devices pursuant to Subpart J of Part 15 FCC Rules, which are designed to provide reasonable protection against interference in which case the user at his own expense will be required to take whatever measures may be required to correct the interference.

Color Monitor Adjustments (Nanao 19")

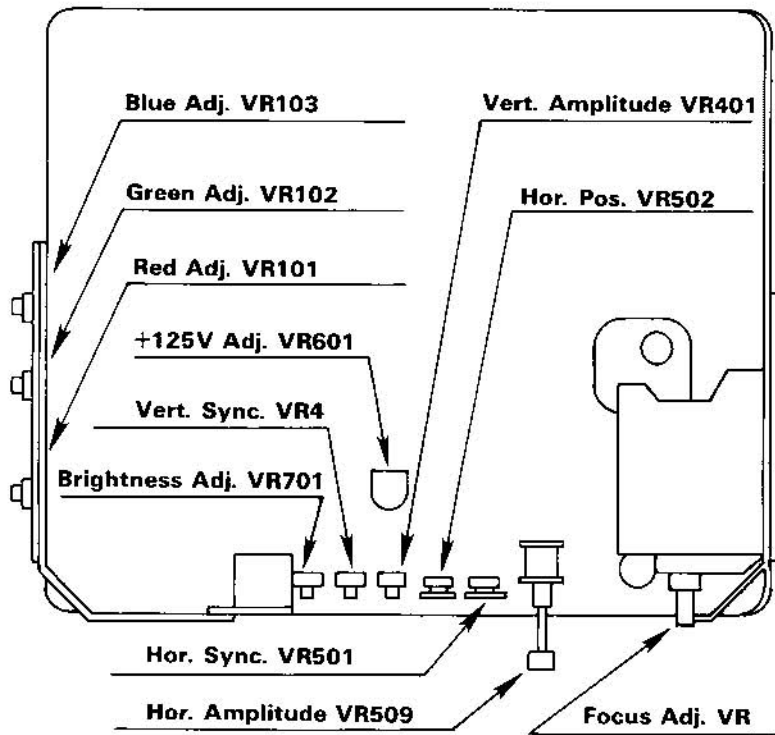


Color Monitor Adjustments (NEC 19")

Adjustable Controls on Neck PCB



Adjustable Controls on Main PCB



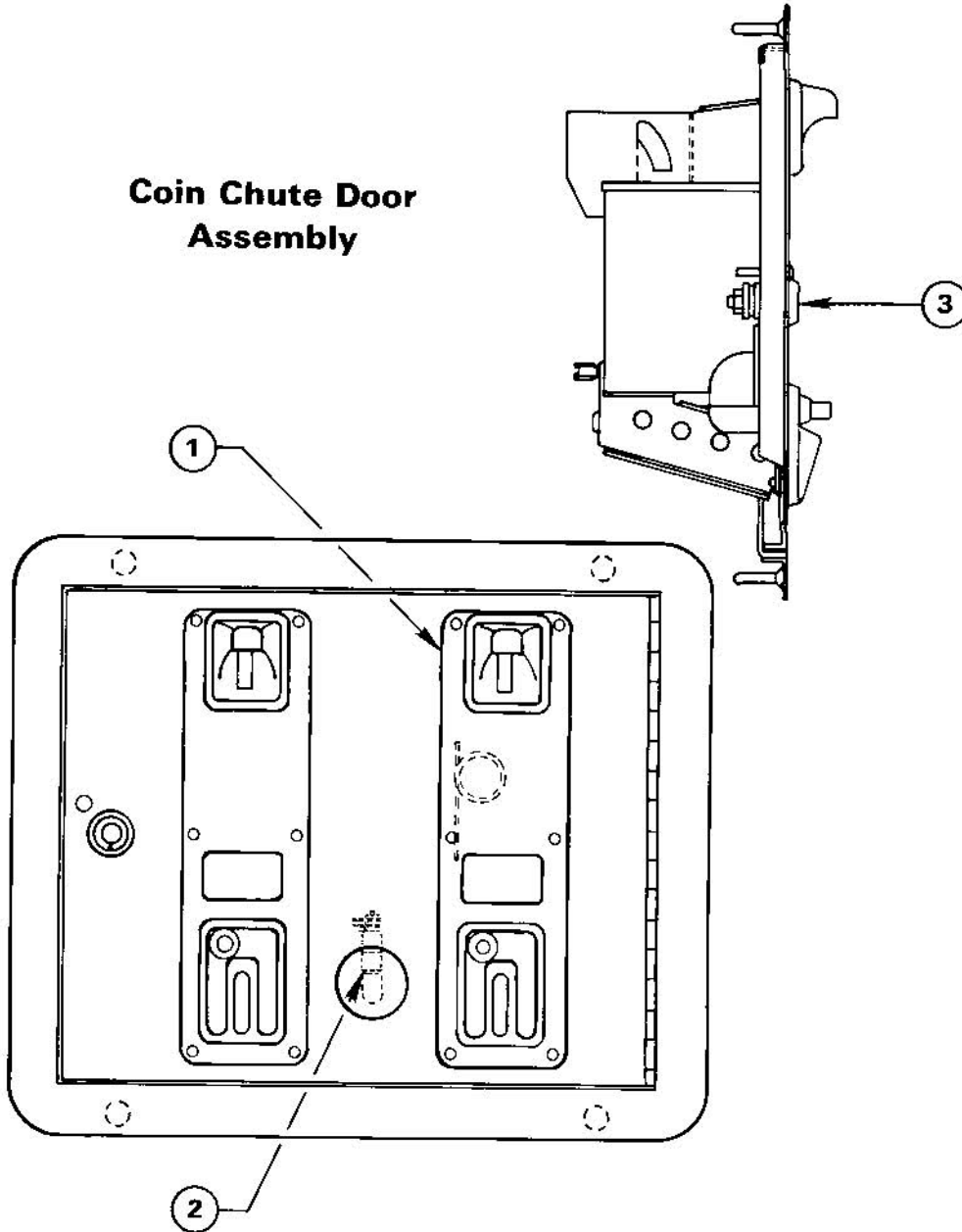
Color Monitor Adjustments (NEC 19")

- 1. Brightness Adjustment (Sub-Bright R701)**
The CRT beam current will increase brightness when turned clockwise.
- 2. Horizontal Amplitude (Amplitude in vertical direction as the H-size VR509 CRT is in the vertical direction)**
Turn coil core clockwise to increase amplitude. Amplitude will be minimum when the core is turned counter clockwise and is at the top of the bobbin.
- 3. Vertical Amplitude (Amplitude in horizontal direction as the V-size VR401 CRT is in the horizontal direction)**
Turn dual directional horizontal amplitude control clockwise to increase amplitude.
- 4. Vertical Position Adjustment (Horizontal position adjustment as the CRT is in the vertical direction)**
If the chip inserted in K502 is inserted in K501, the center of the picture will shift to the right. If this chip is inserted in K503, the center of the picture will shift to the left.)
- 5. Vertical Sync. (Horizontal sync. as the V-Hold VR4 CRT is in the vertical direction)**
This V-Hold control will stop flow of picture from left to right or right to left.
- 6. Horizontal Sync. (Vertical position adjustment as the H-Hold VR501 is in the vertical direction)**
This control is to obtain synchronization when the horizontal oscillations or frequency drifts and slanted lines appear.
Picture can be shifted down by turning this control clockwise within the range in which the picture will not commence to flow.
- 7. Setting the +B Voltage (VR601)**
Adjust to the 125V line (TP91) is 15V. Turn clockwise to raise voltage.
- 8. Red Drive (R-Drive VR901), Blue Drive (B-Drive VR903)**
Adjust mainly for bright white to white. When turned clockwise, it will be greenish (or bluish) white.
- 9. Red Bias (R-Bias VR904), Green Bias (G-Bias VR905), Blue Bias (B-Bias VR906)**
These 3 controls are used mainly to adjust intermediate tones and white balance in the dark portions. When turned clockwise, this color will turn dark gray.
If the white balance adjustments in 8 and 9 are carried out while changing green and blue drive instead of independently, not only will the bright white change but the color tone of the gray portion will also change. Conversely, even if the red, green and blue drives are changed, the color tone of the bright white portion will change.
- 10. Screen Adjustment (Screen VR907)**
As in the case of the brightness adjustment, beam current will increase brightness when this control is turned clockwise. However, as white balance will be destroyed if the screen adjustment control is moved excessively, it would be advisable to adjust brightness with the brightness control. After completing brightness white balance adjustments in 7, 8 and 9, check and confirm that the beam current setting (DC voltage across) does not exceed -7.0V.
- 11. Focus**
Adjust for clearest picture. It will always be desirable to carry out focus adjustments after brightness adjustments.

COIN CHUTE ASSEMBLY

<u>ITEM NO.</u>	<u>DESCRIPTION</u>	<u>SEGA NO.</u>	<u>GREMLIN NO.</u>
1	Coin Mechanism, USA, 25c	SGM-2862-2	220-0176
2	Bulb, 6-8v	S-91002	390-0037
3	Ace Cylinder Lock	LS-1064	220-0097

Coin Chute Door Assembly



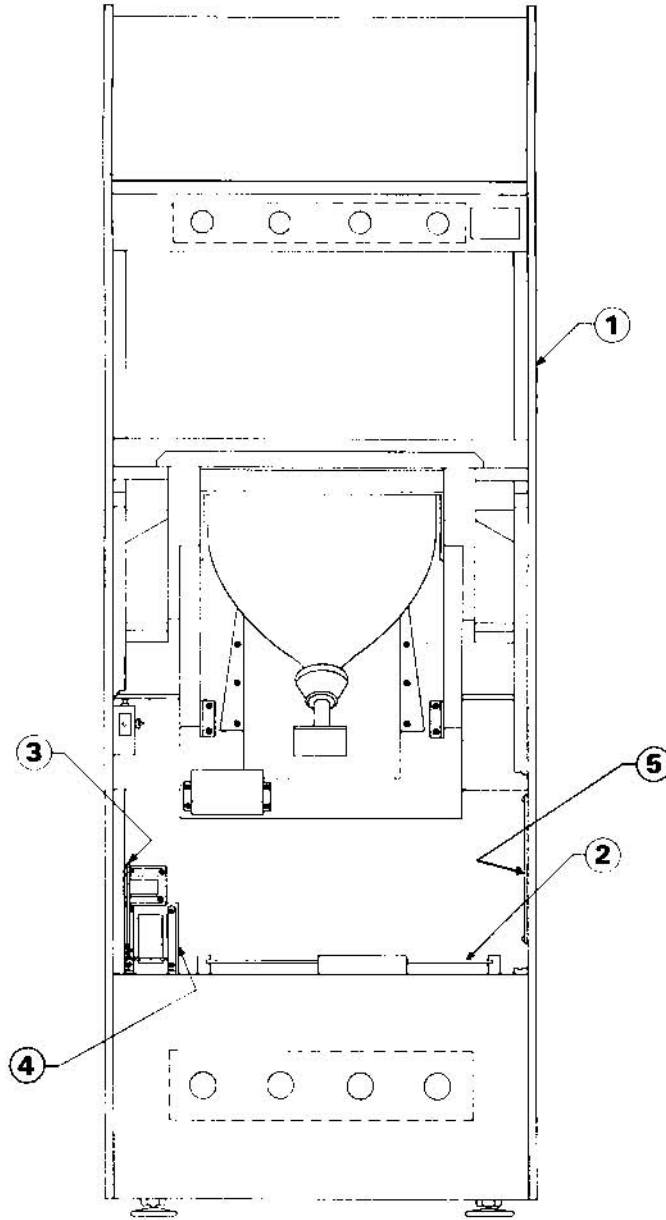
CONTROL PANEL ASSEMBLY

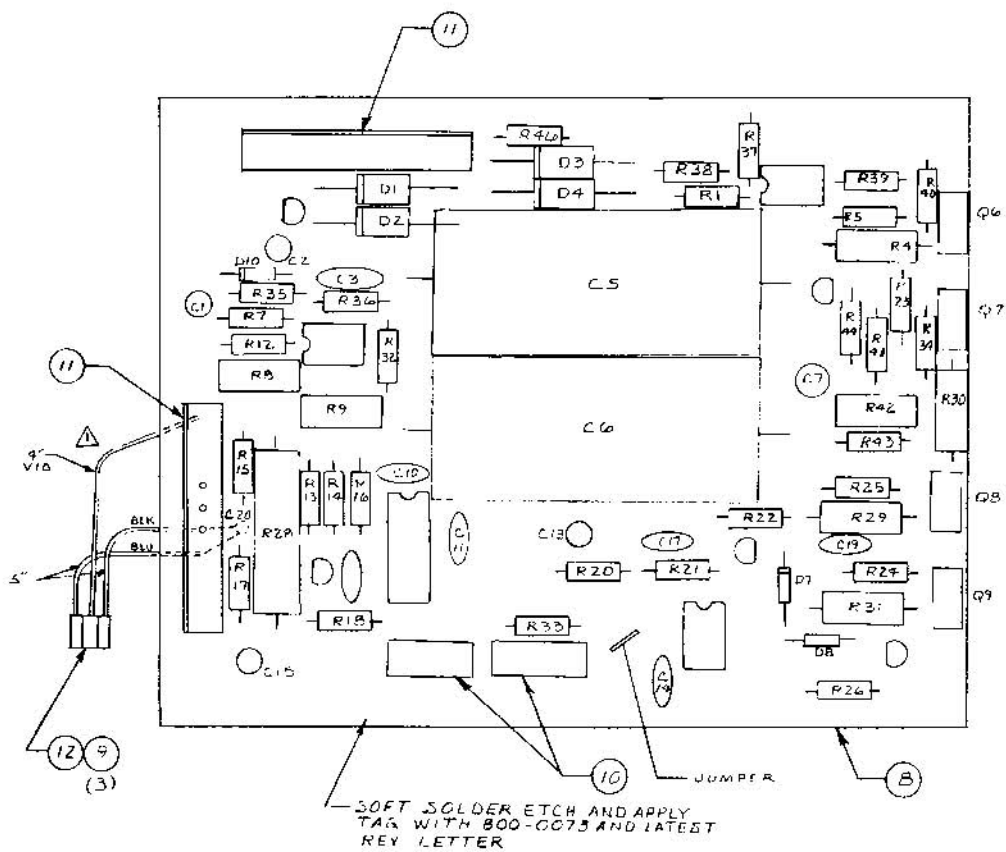
<u>ITEM NO.</u>	<u>DESCRIPTION</u>	<u>SEGA NO.</u>	<u>GREMLIN NO.</u>
1	Control Panel, Pulsar Control Panel Graphic	PL-2002 PL-2002-B	250-0478 253-0210
2	Button Housing	FE-2002	601-0603
3	Push Button, Red	FL-1010	240-0108
4	Switch Base, B	MR-2003	102-0029
5	Handle Ball, Red	MP-1025	109-0007
6	Diaphragm, Rubber	FG-2005X	601-0397
7	Shaft	FG-2006	123-0058
8	Hub	FG-2007	601-0398
9	Slider Plate	TK-2008	117-0160
10	Spacer	TK-2009	280-0358
11	Push Button, Yellow	FL-1070	240-0107
12	Switch, Micro Type	S-91421	509-0048
13	Switch, Micro Type	S-96561	509-0114
14	Feather Key	S-82871	601-0623

UPRIGHT CABINET ASSEMBLY

<u>ITEM NO.</u>	<u>DESCRIPTION</u>	<u>GREMLIN NO.</u>
1	PULSAR UPRIGHT GAME	734-0039
2	ASSY DUAL LOGIC BOARD PULSAR	800-3147
3	ASSY GAME POWER SUPPLY	800-0072
4	TRANSFORMER ISOLATION	560-0051
5	ASSY SOUND BOARD PULSAR	800-0208

Cabinet Assembly

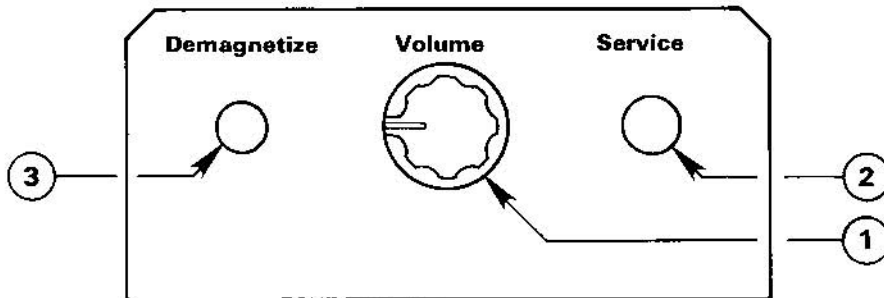




Power Supply Assembly

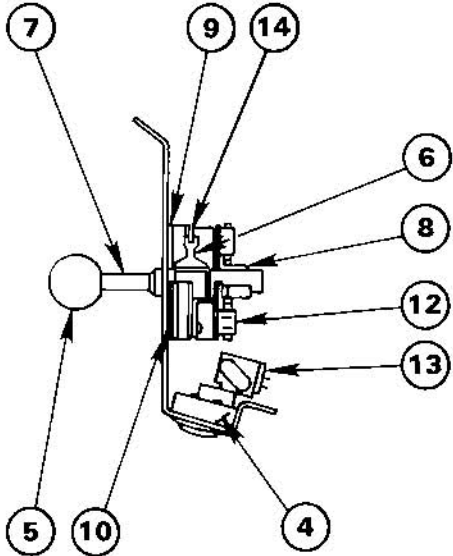
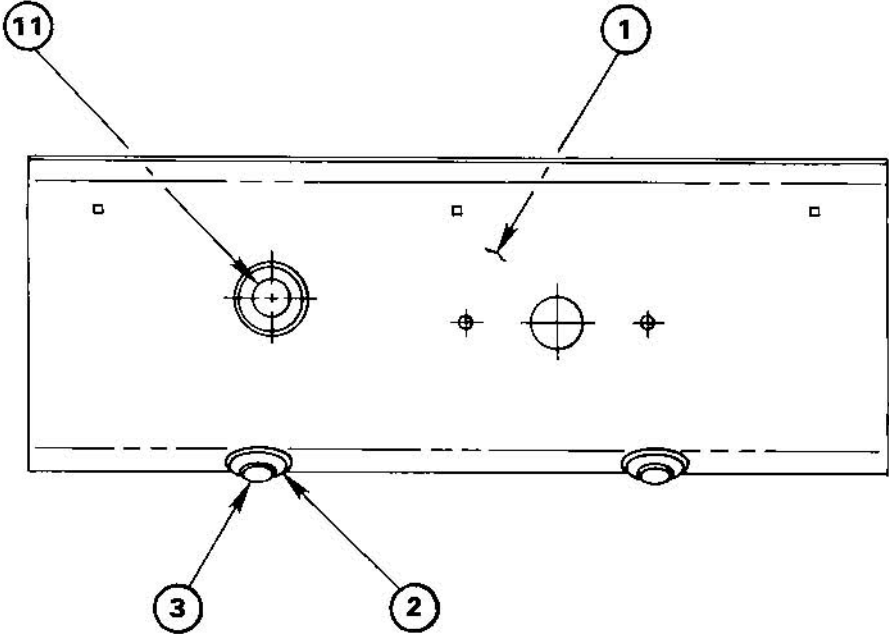
OPERATOR PANEL ASSEMBLY

<u>ITEM NO.</u>	<u>DESCRIPTION</u>	<u>SEGA NO.</u>	<u>GREMLIN NO.</u>
1	Volume Control, B-25K ohm	S-93157	220-0111
2	Push Button Switch	S-93697	240-0105
3	Push Button Switch Noise Filter	S-96477 S-96634	509-0119 601-0429



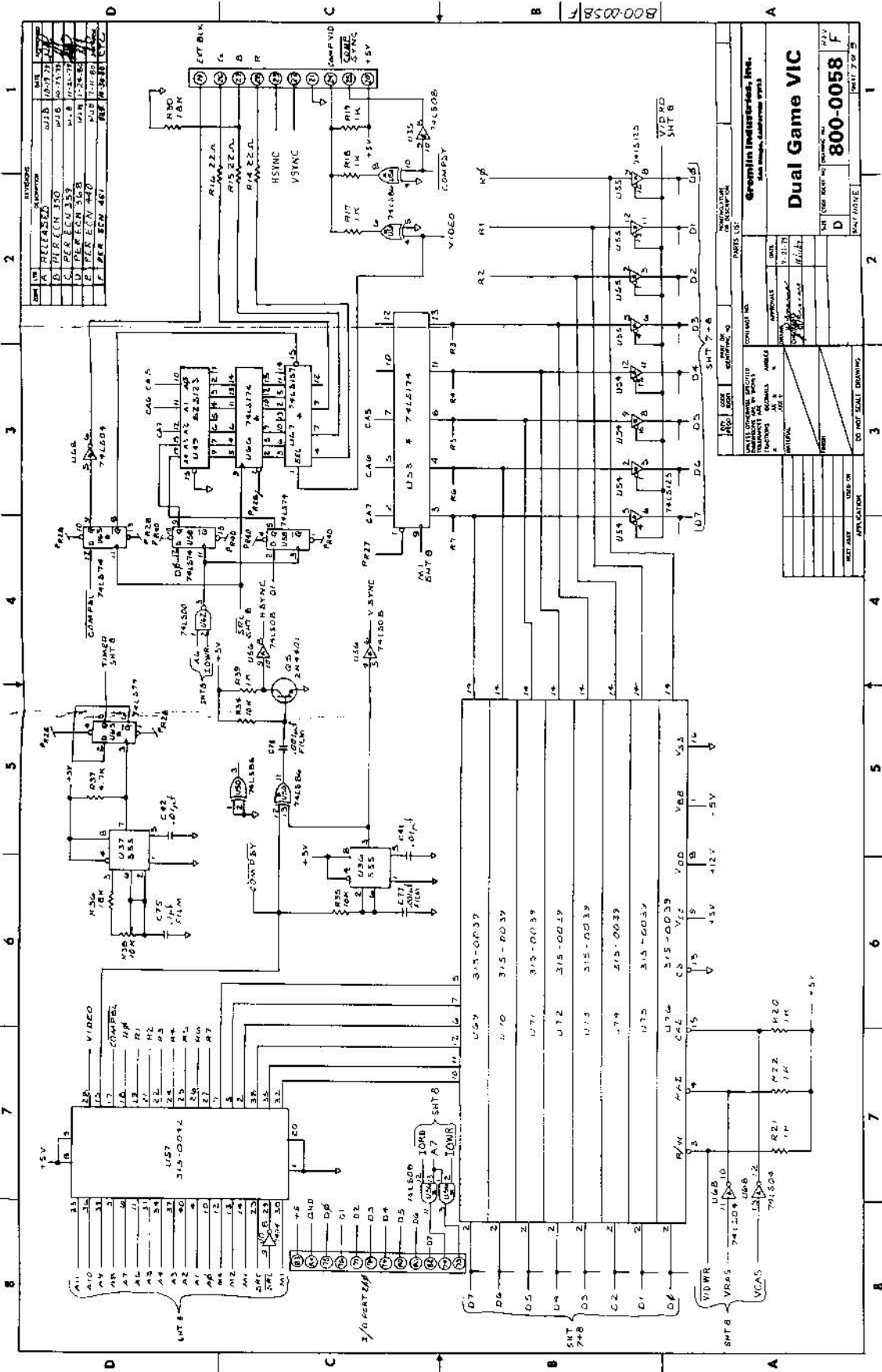
Operator Panel Assembly

Control Panel Assembly



POWER SUPPLY ASSEMBLY

<u>ITEM NO.</u>	<u>DESCRIPTION</u>	<u>GREMLIN NO.</u>	<u>REF DES</u>
1	CAP E 4700 uf 25V	150-0019	C 5, C 6
2	CAP CER .05 uf 50V	151-0001	C 11
3	CAP CER 100 pf 50 V	151-0002	C 17, C 19
4	CAP CER .001 uf 50 V	151-0008	C 10
5	CAP CER .01 uf 50 V	151-0011	C 12, C 14, C 16
6	CAP CER .1 uf 50 V	151-0012	C 3
7	CAP 10 uf 25 V	150-0088	C 1, C 2, C 7, C 13, C 15, C 20
8	PCB POWER SUPPLY	170-0082	
9	CONN CRIMP	211-0056	
10	CONN M 4 PIN	212-0004	
11	CONN M 10 PIN	212-0021	
12	CONN 3 CIR XSTR	212-0085	
13	1 C LM 723	313-0001	U 3
14	1 C LM 741 EN	313-0004	U 1, U 2, U 4
15	RES 100 OHM ½ W 5%	471-0101	R 15
16	RES 1 K OHM ½ W 5%	471-0102	R 5, 13, 17, 20, 22-24, 35, 36, 38, 39
17	RES 10 K OHM ½ W 5%	471-0103	R 1, R 4, R 21, R 37
18	RES 100 K OHM ½ W 5%	471-0104	R 33
19	RES 1.2 K OHM ½ W 5%	471-0122	R 18
20	RES 13 K OHM ½ W 5%	471-0133	R 41
21	RES 1.5 K OHM ½ W 5%	471-0152	R 16
22	RES 2.7 K OHM ½ W 5%	471-0272	R 7, R 25, R 26, R 43, R 46
23	RES 3.3 K OHM ½ W 5%	471-0332	R 32
24	RES 470 OHM ½ W 5%	471-0471	R 34, R 40
25	RES 47 K OHM ½ W 5%	471-0473	R 44
26	RES 5.6 K OHM ½ W 5%	471-0562	R 12
27	RES 0.5 OHM 1 W 5%	472-00R5	R 4, R 29-R 31
28	RES 0.1 OHM 5 W 5%	473-00R1	R 28
29	POT 1 K CAR PCMTV	475-0004	R 9
30	POT 2 K CAR PCMTV	475-0005	R 8, R 42
31	DIODE MR 501	481-0004	D 1-D 4
32	DIODE IN 914	481-0006	D 7, D 8
33	DIODE ZENER IN 5231	481-0008	D 10
34	XSTR 2 N 4403	482-0006	Q 1, Q 3, Q 4
35	XSTR TIP 110	482-0013	Q 6
36	XSTR 2 N 4401	482-0014	Q 2, Q 5
37	XSTR TIP 115	482-0015	Q 7
38	XSTR TIP 29	482-0016	Q 8, Q 9
39	SCHEMATIC	800-0072	



REV	DATE	BY	CHKD
1	10-17-73	WLB	WLB
2	10-17-73	WLB	WLB
3	11-21-73	WLB	WLB
4	11-21-73	WLB	WLB
5	11-21-73	WLB	WLB
6	11-21-73	WLB	WLB
7	11-21-73	WLB	WLB
8	11-21-73	WLB	WLB
9	11-21-73	WLB	WLB
10	11-21-73	WLB	WLB
11	11-21-73	WLB	WLB
12	11-21-73	WLB	WLB
13	11-21-73	WLB	WLB
14	11-21-73	WLB	WLB
15	11-21-73	WLB	WLB
16	11-21-73	WLB	WLB
17	11-21-73	WLB	WLB
18	11-21-73	WLB	WLB
19	11-21-73	WLB	WLB
20	11-21-73	WLB	WLB
21	11-21-73	WLB	WLB
22	11-21-73	WLB	WLB
23	11-21-73	WLB	WLB
24	11-21-73	WLB	WLB
25	11-21-73	WLB	WLB
26	11-21-73	WLB	WLB
27	11-21-73	WLB	WLB
28	11-21-73	WLB	WLB
29	11-21-73	WLB	WLB
30	11-21-73	WLB	WLB
31	11-21-73	WLB	WLB
32	11-21-73	WLB	WLB
33	11-21-73	WLB	WLB
34	11-21-73	WLB	WLB
35	11-21-73	WLB	WLB
36	11-21-73	WLB	WLB
37	11-21-73	WLB	WLB
38	11-21-73	WLB	WLB
39	11-21-73	WLB	WLB
40	11-21-73	WLB	WLB
41	11-21-73	WLB	WLB
42	11-21-73	WLB	WLB
43	11-21-73	WLB	WLB
44	11-21-73	WLB	WLB
45	11-21-73	WLB	WLB
46	11-21-73	WLB	WLB
47	11-21-73	WLB	WLB
48	11-21-73	WLB	WLB
49	11-21-73	WLB	WLB
50	11-21-73	WLB	WLB
51	11-21-73	WLB	WLB
52	11-21-73	WLB	WLB
53	11-21-73	WLB	WLB
54	11-21-73	WLB	WLB
55	11-21-73	WLB	WLB
56	11-21-73	WLB	WLB
57	11-21-73	WLB	WLB
58	11-21-73	WLB	WLB
59	11-21-73	WLB	WLB
60	11-21-73	WLB	WLB
61	11-21-73	WLB	WLB
62	11-21-73	WLB	WLB
63	11-21-73	WLB	WLB
64	11-21-73	WLB	WLB
65	11-21-73	WLB	WLB
66	11-21-73	WLB	WLB
67	11-21-73	WLB	WLB
68	11-21-73	WLB	WLB
69	11-21-73	WLB	WLB
70	11-21-73	WLB	WLB
71	11-21-73	WLB	WLB
72	11-21-73	WLB	WLB
73	11-21-73	WLB	WLB
74	11-21-73	WLB	WLB
75	11-21-73	WLB	WLB
76	11-21-73	WLB	WLB
77	11-21-73	WLB	WLB
78	11-21-73	WLB	WLB
79	11-21-73	WLB	WLB
80	11-21-73	WLB	WLB
81	11-21-73	WLB	WLB
82	11-21-73	WLB	WLB
83	11-21-73	WLB	WLB
84	11-21-73	WLB	WLB
85	11-21-73	WLB	WLB
86	11-21-73	WLB	WLB
87	11-21-73	WLB	WLB
88	11-21-73	WLB	WLB
89	11-21-73	WLB	WLB
90	11-21-73	WLB	WLB
91	11-21-73	WLB	WLB
92	11-21-73	WLB	WLB
93	11-21-73	WLB	WLB
94	11-21-73	WLB	WLB
95	11-21-73	WLB	WLB
96	11-21-73	WLB	WLB
97	11-21-73	WLB	WLB
98	11-21-73	WLB	WLB
99	11-21-73	WLB	WLB
100	11-21-73	WLB	WLB

Dual Game VIC

800-0058

DATE: 11-21-73

DESIGNER: WLB

CHECKED: WLB

APPROVED: WLB

DATE: 11-21-73

CONTRACT NO.:

REV. A: 11-21-73

REV. B: 11-21-73

REV. C: 11-21-73

REV. D: 11-21-73

REV. E: 11-21-73

REV. F: 11-21-73

REV. G: 11-21-73

REV. H: 11-21-73

REV. I: 11-21-73

REV. J: 11-21-73

REV. K: 11-21-73

REV. L: 11-21-73

REV. M: 11-21-73

REV. N: 11-21-73

REV. O: 11-21-73

REV. P: 11-21-73

REV. Q: 11-21-73

REV. R: 11-21-73

REV. S: 11-21-73

REV. T: 11-21-73

REV. U: 11-21-73

REV. V: 11-21-73

REV. W: 11-21-73

REV. X: 11-21-73

REV. Y: 11-21-73

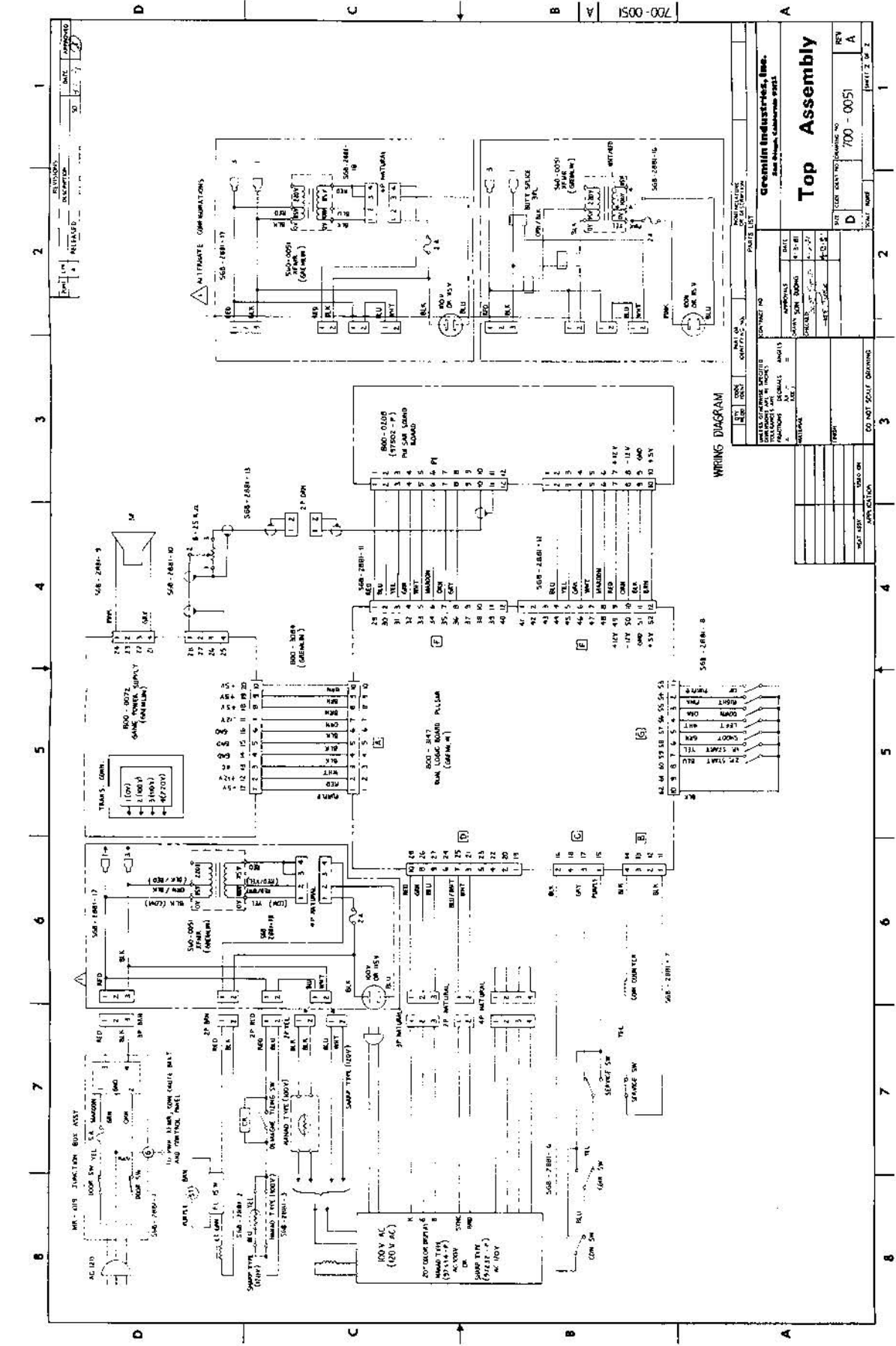
REV. Z: 11-21-73

DO NOT SCALE DRAWING

APPLICATIONS:

800-0058

DATE: 11-21-73



WIRING DIAGRAM

REV	DATE	BY	CHK	APPROV

DATE	DESCRIPTION

DESIGNED BY	
CHECKED BY	
APPROVED BY	

COMPONENT NO	
DESCRIPTION	
QUANTITY	
UNIT	

REV	DATE	BY	CHK	APPROV
A				

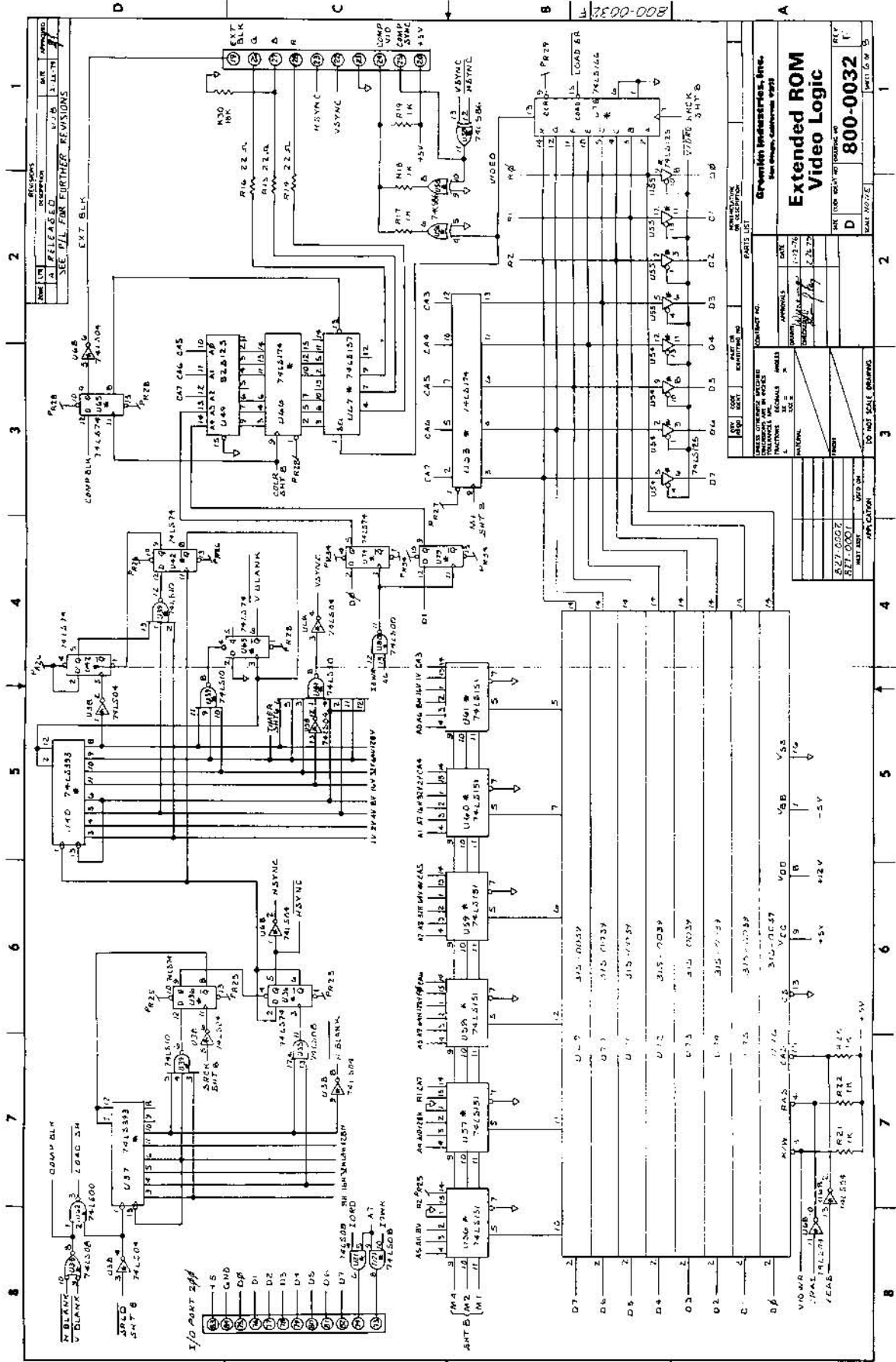
Top Assembly

700-0051

REV A

1 of 2

700-0051



REVISIONS
 1. SEE P. 11 FOR FURTHER REVISIONS
 2. SEE P. 11 FOR FURTHER REVISIONS
 3. SEE P. 11 FOR FURTHER REVISIONS
 4. SEE P. 11 FOR FURTHER REVISIONS
 5. SEE P. 11 FOR FURTHER REVISIONS
 6. SEE P. 11 FOR FURTHER REVISIONS
 7. SEE P. 11 FOR FURTHER REVISIONS
 8. SEE P. 11 FOR FURTHER REVISIONS

800-0032
 Extended ROM
 Video Logic

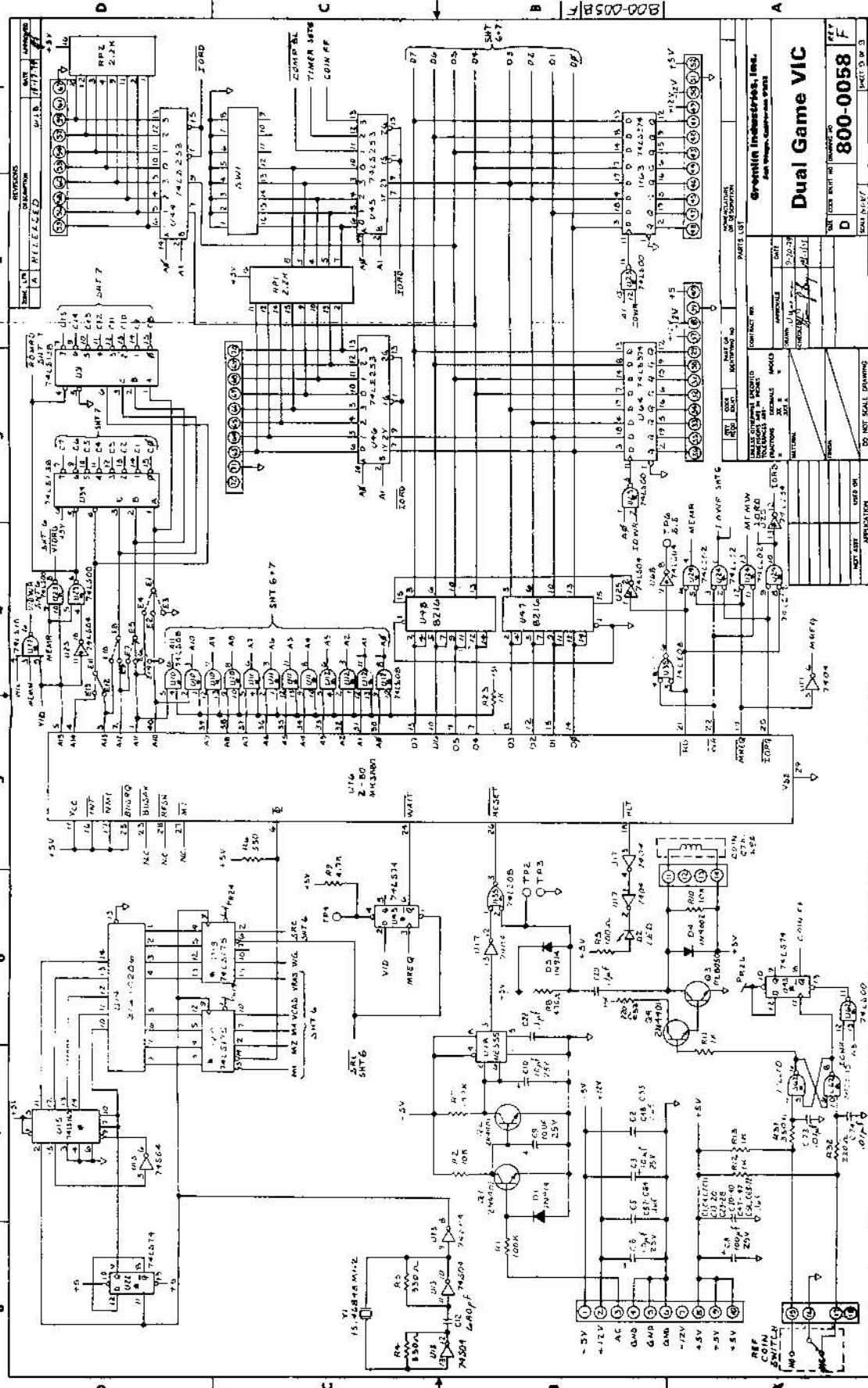
800-0032
 SEE P. 11 FOR FURTHER REVISIONS
 800-0032
 SEE P. 11 FOR FURTHER REVISIONS

REV	DATE	BY	CHKD	DESCRIPTION
1	1-13-76			
2	2-2-76			

REV	DATE	BY	CHKD	DESCRIPTION
1	1-13-76			
2	2-2-76			

REV	DATE	BY	CHKD	DESCRIPTION
1	1-13-76			
2	2-2-76			

REV	DATE	BY	CHKD	DESCRIPTION
1	1-13-76			
2	2-2-76			



Dual Game VIC

Griffin Industries, Inc.
 800-0058

DATE: 11/17/77
 DRAWN BY: J. J. J.

REVISED: 11/17/77

REVISED: 11/17/77

REVISED: 11/17/77

REVISED: 11/17/77

REVISED: 11/17/77

REVISED: 11/17/77

REVISED: 11/17/77

REVISED: 11/17/77

REVISED: 11/17/77

REVISED: 11/17/77

REVISED: 11/17/77

REVISED: 11/17/77

REVISED: 11/17/77

REVISED: 11/17/77

REVISED: 11/17/77

REVISED: 11/17/77

REVISED: 11/17/77

REVISED: 11/17/77

REVISED: 11/17/77

REVISED: 11/17/77

REVISED: 11/17/77

REVISED: 11/17/77

REVISED: 11/17/77

REVISED: 11/17/77

REVISED: 11/17/77

REVISED: 11/17/77

REVISED: 11/17/77

REVISED: 11/17/77

REVISED: 11/17/77

REVISED: 11/17/77

REVISED: 11/17/77

REVISED: 11/17/77

REVISED: 11/17/77

REVISED: 11/17/77

REVISED: 11/17/77

REVISED: 11/17/77

1 2 3 4 5 6 7 8

1 2 3 4 5 6 7 8

1 2 3 4 5 6 7 8

1 2 3 4 5 6 7 8

1 2 3 4 5 6 7 8

1 2 3 4 5 6 7 8

1 2 3 4 5 6 7 8

1 2 3 4 5 6 7 8

1 2 3 4 5 6 7 8

1 2 3 4 5 6 7 8

1 2 3 4 5 6 7 8

1 2 3 4 5 6 7 8

1 2 3 4 5 6 7 8

1 2 3 4 5 6 7 8

1 2 3 4 5 6 7 8

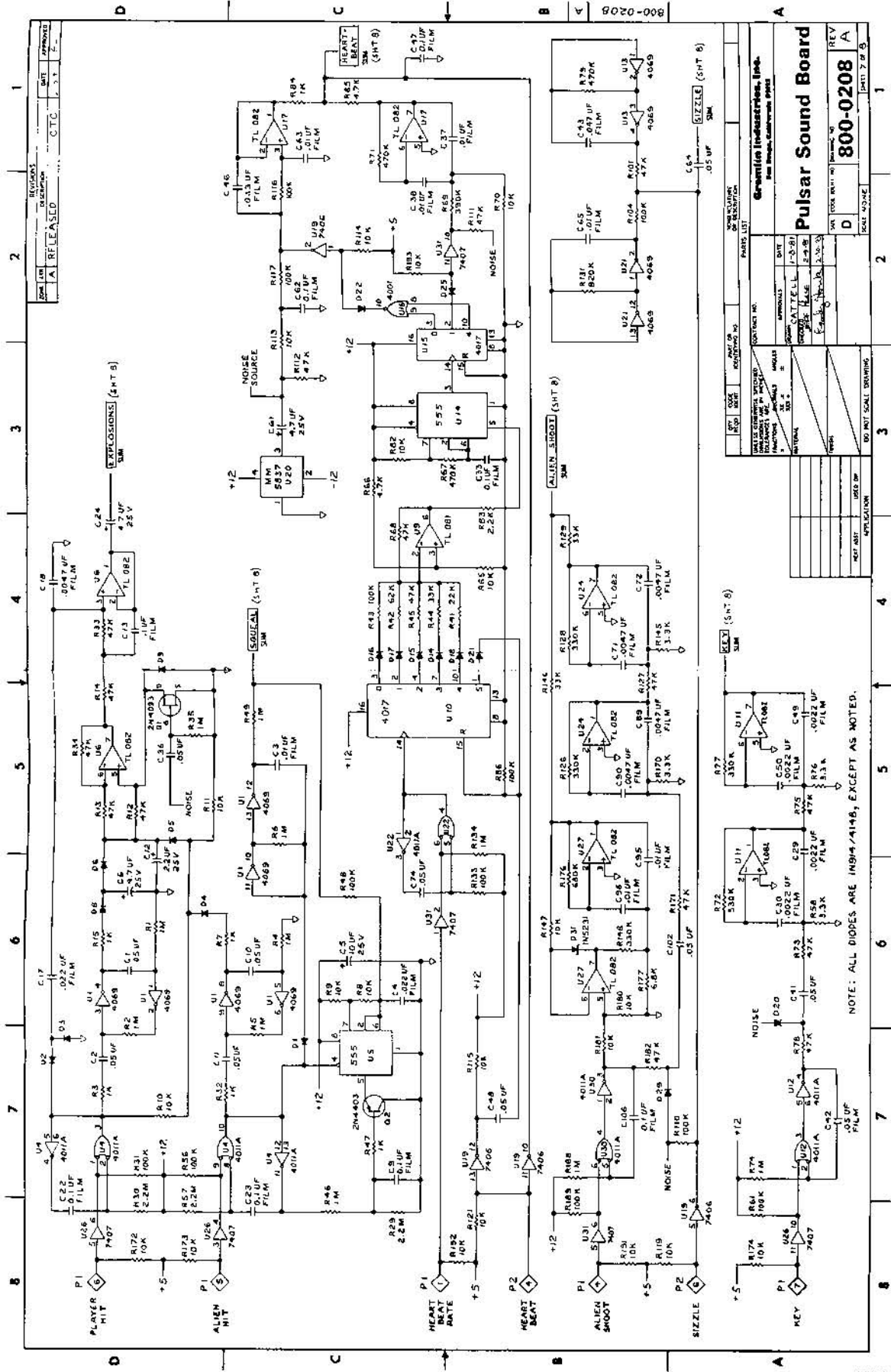
1 2 3 4 5 6 7 8

1 2 3 4 5 6 7 8

1 2 3 4 5 6 7 8

1 2 3 4 5 6 7 8

1 2 3 4 5 6 7 8



REQUIREMENTS: RELEASED C.T.C. DATE: APPROVED: 800-0208

REV	DATE	APPROVED
1		

800-0208

Pulsar Sound Board

DESIGNED BY: [Signature]	DATE: 1-28-73
DRAWN BY: [Signature]	DATE: 2-28-73
CHECKED BY: [Signature]	DATE: 3-1-73
APPROVED BY: [Signature]	DATE: 3-1-73

800-0208

Pulsar Sound Board

REV	DATE	APPROVED
1		

800-0208

Pulsar Sound Board

REV	DATE	APPROVED
1		

800-0208

Pulsar Sound Board

REV	DATE	APPROVED
1		

800-0208

Pulsar Sound Board

REV	DATE	APPROVED
1		

800-0208

Pulsar Sound Board

REV	DATE	APPROVED
1		

800-0208

Pulsar Sound Board

REV	DATE	APPROVED
1		

800-0208

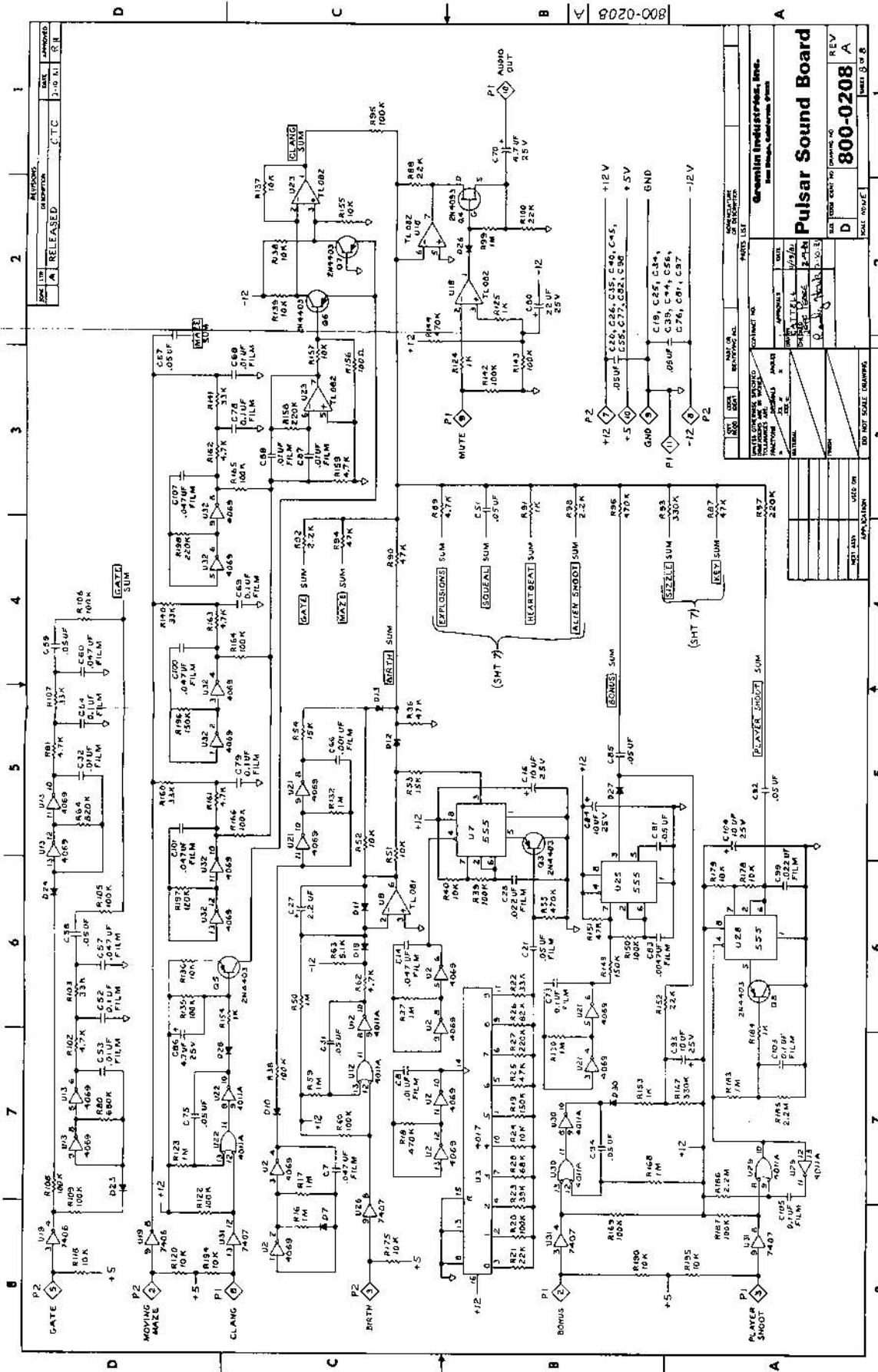
Pulsar Sound Board

REV	DATE	APPROVED
1		

800-0208

Pulsar Sound Board

NOTE: ALL DIODES ARE IN914/4148, EXCEPT AS NOTED.



DATE	APPROVED
3-10-81	RH
RELEASED	CTC

REV	REV
A	A
800-0208	800-0208
DATE	DATE
3-10-81	3-10-81

Pulsar Sound Board

General Industries, Inc.
 1000 West 10th Street
 Tulsa, Oklahoma 74103

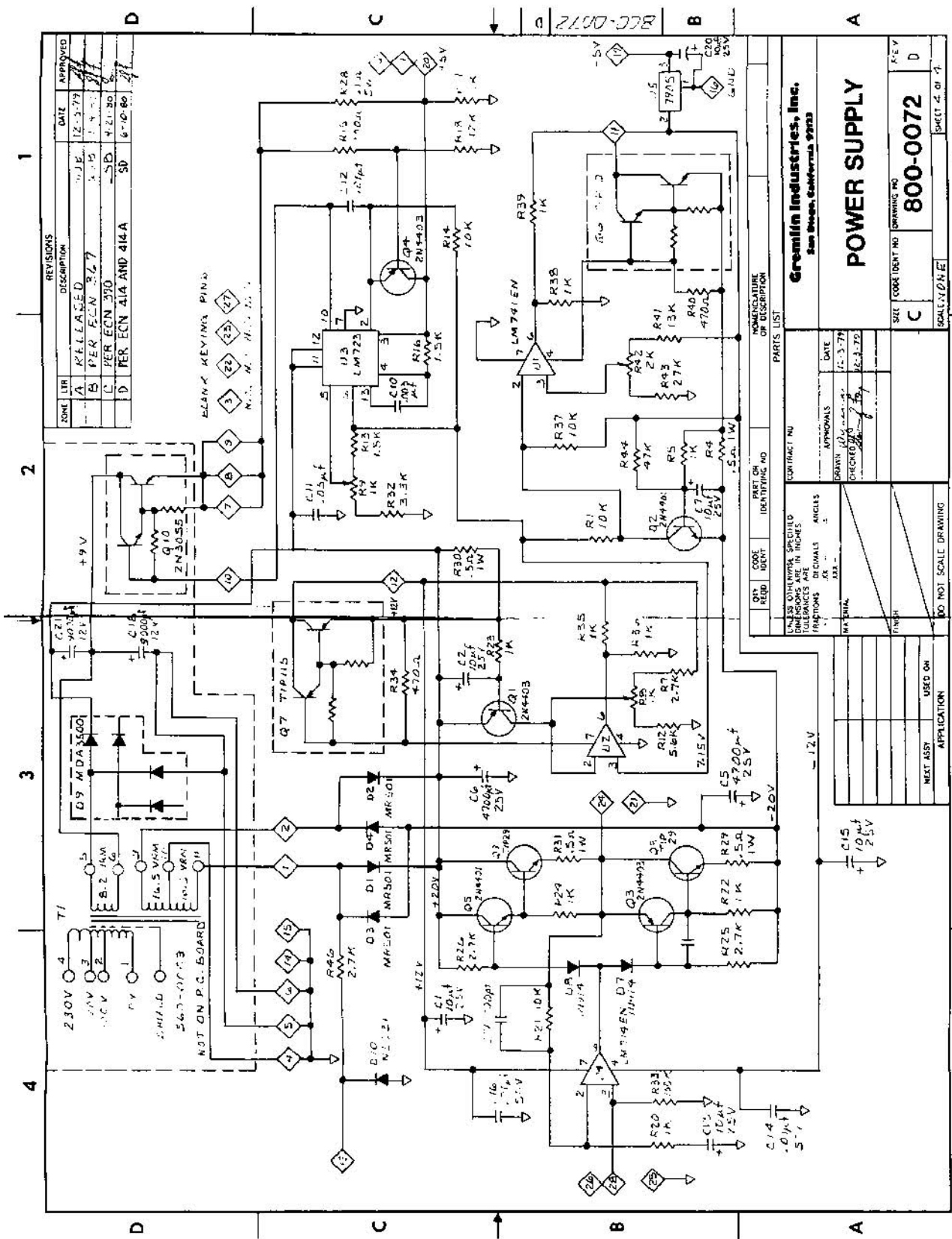
DESIGNED BY: [Signature]
 DRAWN BY: [Signature]
 CHECKED BY: [Signature]

DO NOT SCALE DRAWINGS

NOT AVOID USED ON APPLICATION

800-0208

8 7 6 5 4 3 2 1



REVISIONS

ZONE	ITER	DESCRIPTION	DATE	APPROVED
A	RELEASED	12-3-79	[Signature]	
B	PER ECN 327	3-75	[Signature]	
C	PER ECN 370	4-21-80	[Signature]	
D	PER ECN 41A AND 414A	6-10-80	[Signature]	

BLANK REVISING PIND

3	7	8	9
10	11	12	13
14	15	16	17
18	19	20	21
22	23	24	25
26	27	28	29
30	31	32	33
34	35	36	37
38	39	40	41
42	43	44	45
46	47	48	49
50	51	52	53

PARTS LIST

QTY	REGR	CODE	IDENT	PART OR IDENTIFYING NO	NOMENCLATURE OR DESCRIPTION
1					U1 7805
1					U2 LM741EN
1					Q1 2N4403
1					Q2 2N4403
1					Q3 2N4403
1					Q4 2N4403
1					Q5 2N4403
1					Q6 2N4403
1					Q7 TIP115
1					Q8 TIP115
1					Q9 TIP115
1					Q10 ZM3035
1					R1 10K
1					R2 10K
1					R3 10K
1					R4 10K
1					R5 47K
1					R6 47K
1					R7 47K
1					R8 27K
1					R9 27K
1					R10 27K
1					R11 27K
1					R12 56K
1					R13 56K
1					R14 10K
1					R15 10K
1					R16 10K
1					R17 17K
1					R18 17K
1					R19 17K
1					R20 1K
1					R21 10K
1					R22 2.7K
1					R23 2.7K
1					R24 1K
1					R25 5.5K
1					R26 5.5K
1					R27 2.7K
1					R28 10K
1					R29 10K
1					R30 5.5K
1					R31 1K
1					R32 10K
1					R33 5.5K
1					R34 470Ω
1					R35 1K
1					R36 1K
1					R37 10K
1					R38 1K
1					R39 1K
1					R40 470Ω
1					R41 13K
1					R42 2K
1					R43 2K
1					R44 1K
1					R45 1.5K
1					R46 2.5K
1					R47 1K
1					R48 2K
1					R49 2K
1					R50 2K
1					R51 10K
1					R52 1K
1					R53 1K
1					R54 1K
1					R55 1K
1					R56 1K
1					R57 1K
1					R58 1K
1					R59 1K
1					R60 1K
1					R61 1K
1					R62 1K
1					R63 1K
1					R64 1K
1					R65 1K
1					R66 1K
1					R67 1K
1					R68 1K
1					R69 1K
1					R70 1K
1					R71 1K
1					R72 1K
1					R73 1K
1					R74 1K
1					R75 1K
1					R76 1K
1					R77 1K
1					R78 1K
1					R79 1K
1					R80 1K
1					R81 1K
1					R82 1K
1					R83 1K
1					R84 1K
1					R85 1K
1					R86 1K
1					R87 1K
1					R88 1K
1					R89 1K
1					R90 1K
1					R91 1K
1					R92 1K
1					R93 1K
1					R94 1K
1					R95 1K
1					R96 1K
1					R97 1K
1					R98 1K
1					R99 1K
1					R100 1K
1					C1 100μF
1					C2 100μF
1					C3 100μF
1					C4 100μF
1					C5 4700μF
1					C6 4700μF
1					C7 100μF
1					C8 100μF
1					C9 100μF
1					C10 100μF
1					C11 .05μF
1					C12 .05μF
1					C13 .05μF
1					C14 5.1
1					C15 100μF
1					D1 MRE01
1					D2 MRE01
1					D3 MRE01
1					D4 MRE01
1					D5 MRE01
1					D6 MRE01
1					D7 LM741EN
1					D8 LM741EN
1					D9 LM741EN
1					D10 LM741EN
1					D11 LM741EN
1					D12 LM741EN
1					D13 LM741EN
1					D14 LM741EN
1					D15 LM741EN
1					D16 LM741EN
1					D17 LM741EN
1					D18 LM741EN
1					D19 LM741EN
1					D20 LM741EN
1					D21 LM741EN
1					D22 LM741EN
1					D23 LM741EN
1					D24 LM741EN
1					D25 LM741EN
1					D26 LM741EN
1					D27 LM741EN
1					D28 LM741EN
1					D29 LM741EN
1					D30 LM741EN
1					D31 LM741EN
1					D32 LM741EN
1					D33 LM741EN
1					D34 LM741EN
1					D35 LM741EN
1					D36 LM741EN
1					D37 LM741EN
1					D38 LM741EN
1					D39 LM741EN
1					D40 LM741EN
1					D41 LM741EN
1					D42 LM741EN
1					D43 LM741EN
1					D44 LM741EN
1					D45 LM741EN
1					D46 LM741EN
1					D47 LM741EN
1					D48 LM741EN
1					D49 LM741EN
1					D50 LM741EN

Gremlin Industries, Inc.
San Diego, California 92103

POWER SUPPLY

SIZE	CODE IDENT NO	DRAWING NO
		800-0072

SCALE: NONE

DATE	12-3-79
APPROVALS	[Signature]
DRAWN	[Signature]
CHECKED	[Signature]

DO NOT SCALE DRAWING

UNIT	
TYPING	
USED ON	
APPLICATION	

1	2	3	4
---	---	---	---

SHEET 4 OF 4