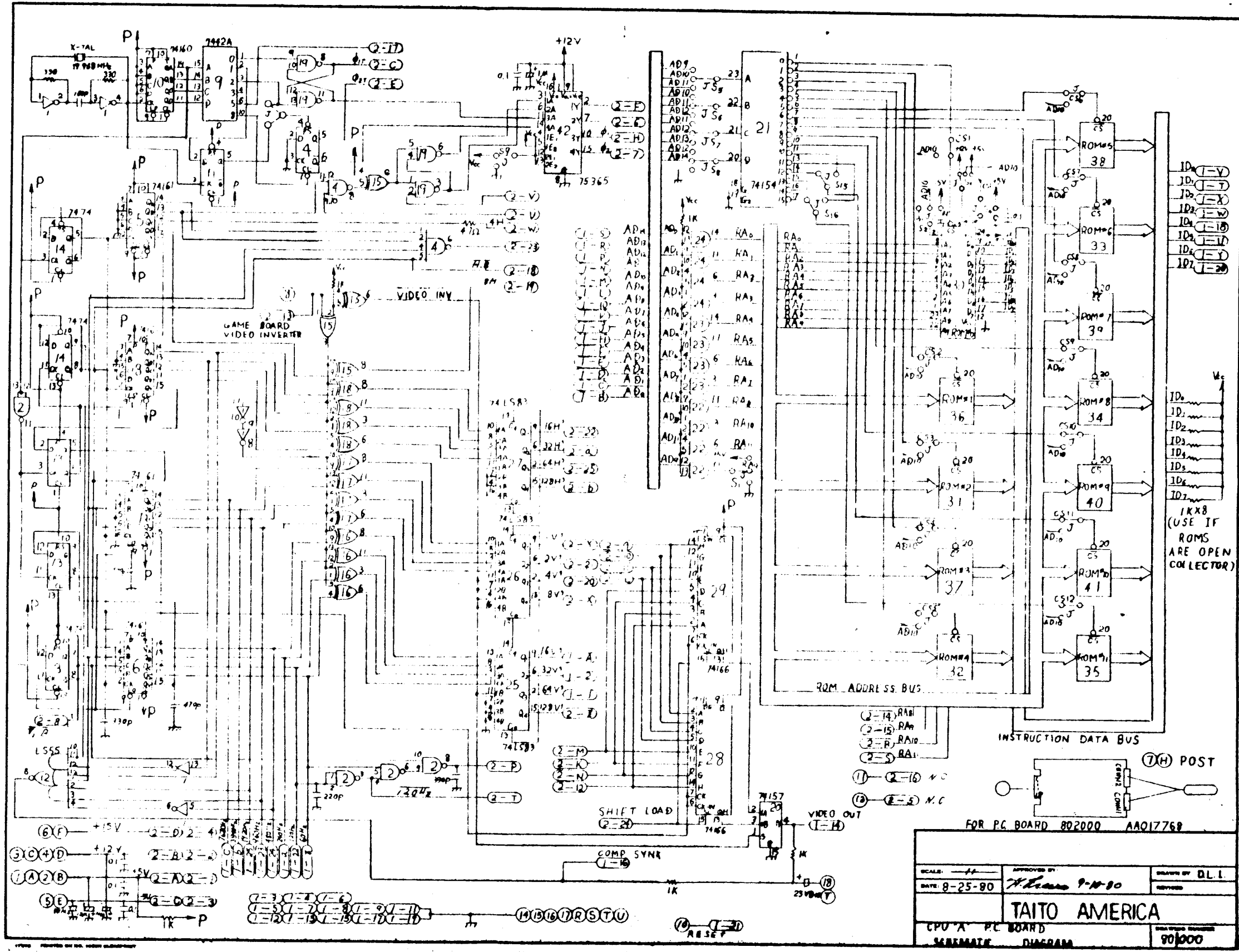


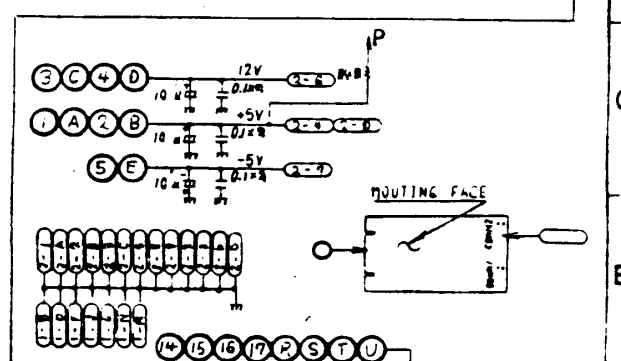
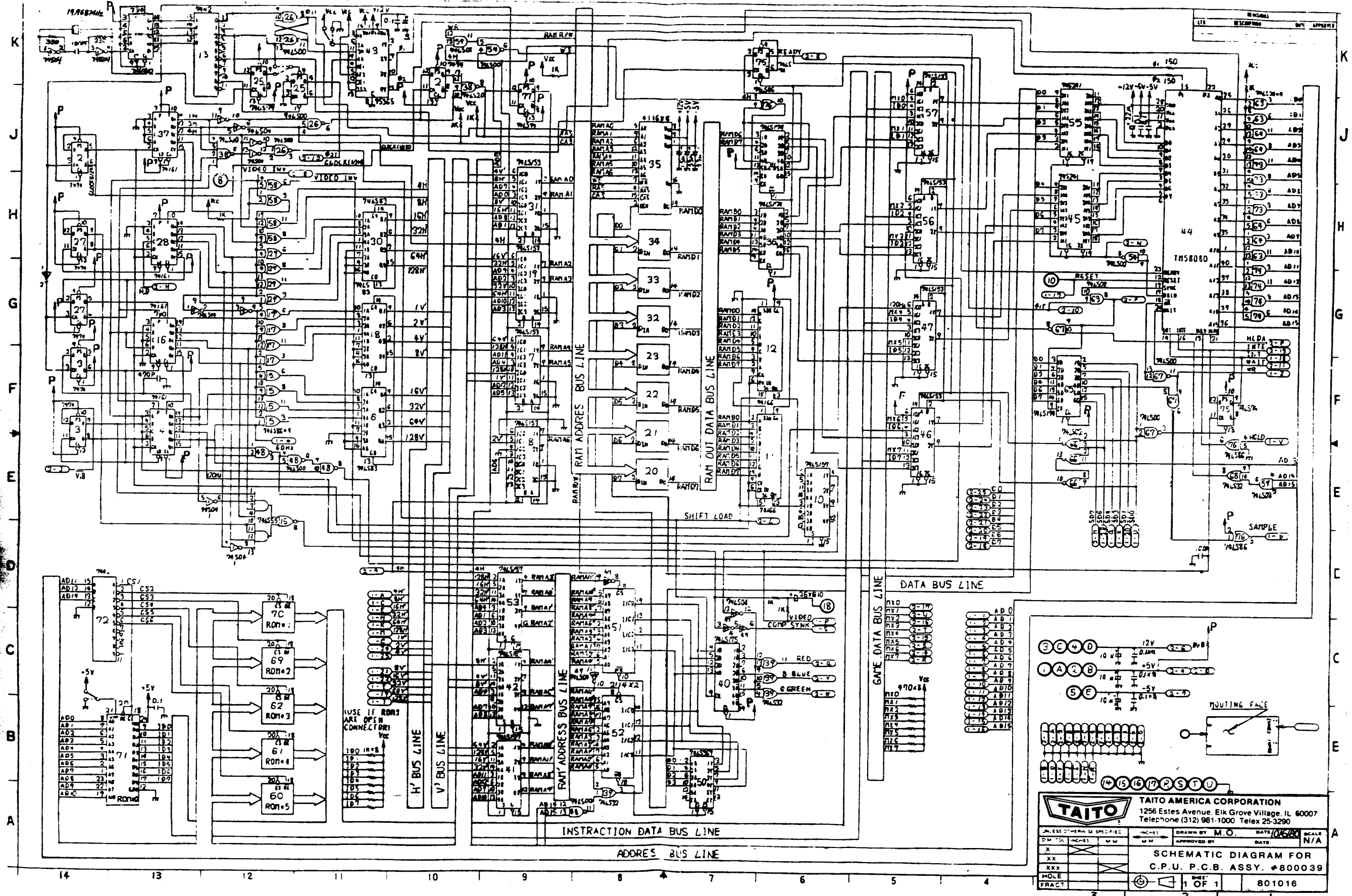
NOTE 1:
 FOR 120VAC, WIRE WHITE TO TERM 1 AND 4
 WIRE BLACK TO TERM 3 AND 6
 FOR 220VAC, WIRE WHITE TO TERM 1, 5VMP
 TERM 2 TO 4, BLACK TO TERM 5

NOTE 2:
 IF WELLS GARDNER MONITOR IS USED, USE CABLE 106016 (BLUE)
 IF ELECTROPHONE MONITOR 607-904 IS USED, USE CABLE 106013

SCALE: NONE	APPROVED BY:	DRAWN BY: JJR
DATE: 3-5-80	JJR	REVISION:
TAITO AMERICA CORPORATION		DRAWING NUMBER
WIRING DIAGRAM-POLARIS		780014



SCALE: 1:1	APPROVED BY: <i>H. Hase</i> 9-10-80	DRAWN BY: D.L.I.
DATE: 8-25-80		REVISED:
TAITO AMERICA		
CPU 'A' PC BOARD		REVISION NUMBER: 801000
SCHEMATIC DIAGRAM		



TAITO TAITO AMERICA CORPORATION
 1256 Estes Avenue, Elk Grove Village, IL 60007
 Telephone (312) 981-1000 Telex 25-3290

UNLESS OTHERWISE SPECIFIED: INCHES DRAWN BY M.O. DATE 10/6/80 SCALE N/A
 DIM TO: INCHES M/M APPROVED BY DATE

SCHEMATIC DIAGRAM FOR
 C.P.U. P.C.B. ASSY. #800039

MOLE 1 OF 1 801016
 FRACT 3 2 1

