



MOTOROLA service manual

FILE VP12

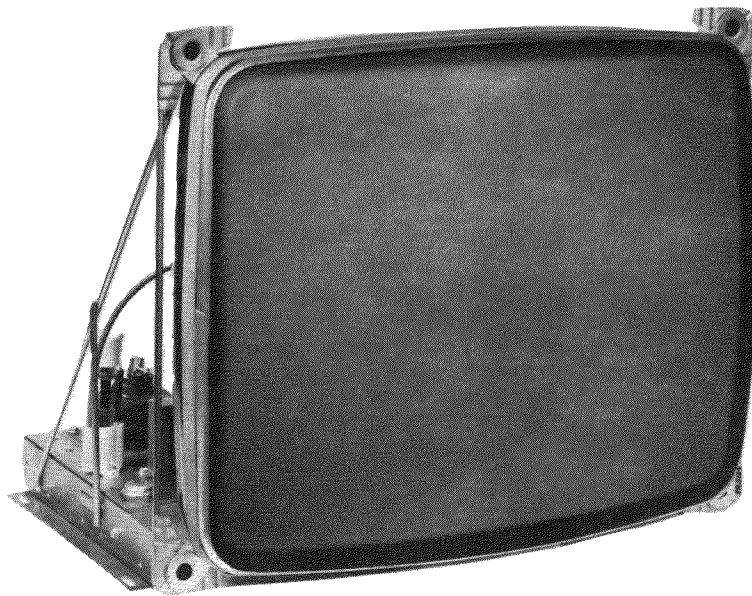
DISPLAY PRODUCTS

MODEL XM501-10
XM701-10

CHASSIS 19VP111
23VP111

FILE VP12

MANUAL 68P65130A70-1



CHASSIS

19VP111
23VP111

MODELS

XM501-10
XM701-10

GENERAL INFORMATION

These models are transistorized monitors designed for the video game market. They are identical except for the CRT size. See V1 in Replacement Parts List.

Circuitry includes four stages of video amplification, a two stage audio amplifier, sync and deflection circuits and a regulated power supply. An additional 5 volt 3 amp supply is included to power external logic systems. The picture tube is a 114 degree deflection CRT with implosion protection. Composite video is fed to the monitor through a connector mounted on the rear of the chassis.

Rear panel controls include Horizontal Hold, Vertical Hold, Contrast, Brightness, Volume and width controls. Additional service controls are mounted on the plated circuit panel, and are accessible from the rear of the chassis.

The chassis utilizes plug-in etched panel construction with components mounted on the top side and plated wiring on the bottom. Component reference numbers and circuit legend are printed on the board to aid in servicing. Horizontal, vertical output and regulator transistors are mounted on the chassis base which also serves as a heat sink and CRT support.

CAUTION

NO WORK SHOULD BE ATTEMPTED ON ANY EXPOSED MONITOR CHASSIS BY ANYONE NOT FAMILIAR WITH SERVICING PROCEDURES AND PRECAUTIONS.

ELECTRICAL SPECIFICATIONS

Power Rating: 110 watts nominal.
50 watts without 5 volt supply.

Source: 120/240V AC at 50/60Hz
Switch selected.

Video Input: 0.5 to 2.5 volts composite
PP (sync negative).

Audio Output: 5 watts peak

TABLE OF CONTENTS

CHASSIS PARTS	
LOCATION	8-11
CHASSIS SCHEMATIC	
DIAGRAM	12
REPLACEMENT PARTS	
LIST	13, 14
SAFETY WARNING	2
SERVICE NOTES	7
THEORY OF	
OPERATION	3

SAFETY WARNING

CAUTION: NO WORK SHOULD BE ATTEMPTED ON AN EXPOSED MONITOR CHASSIS BY ANYONE NOT FAMILIAR WITH SERVICING PROCEDURES AND PRECAUTIONS.

1. SAFETY PROCEDURES should be developed by habit so that when the technician is rushed with repair work, he automatically takes precautions.

2. A GOOD PRACTICE, when working on any unit, is to first ground the chassis and to use only one hand when testing circuitry. This will avoid the possibility of carelessly putting one hand on chassis or ground and the other on an electrical connection which could cause a severe electrical shock.

3. Extreme care should be used in HANDLING THE PICTURE TUBE as rough handling may cause it to implode due to atmospheric pressure (14.7 lbs. per sq. in). Do not nick or scratch glass or subject it to any undue pressure in removal or installation. When handling, safety goggles and heavy gloves should be worn for protection. Discharge picture tube by shorting the anode connection to chassis ground (not cabinet or other mounting parts). When discharging, go from ground to anode or use a well insulated piece of wire. When servicing or repairing the monitor, if the cathode ray tube is replaced by a type of tube other than that specified under the Motorola Part Number as original equipment in this Service Manual, then avoid prolonged exposure at close range to unshielded areas of the cathode ray tube. Possible danger of personal injury from unnecessary exposure to X-ray radiation may result.

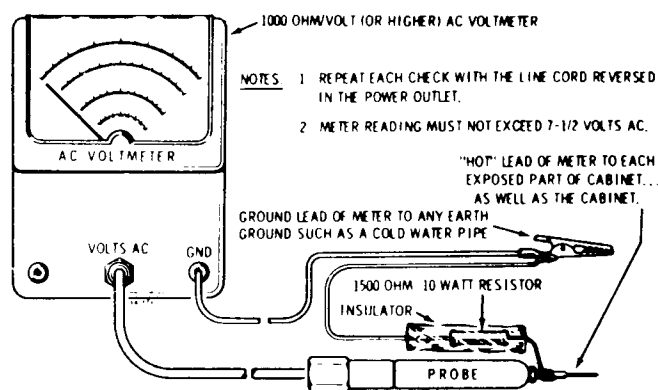
4. An ISOLATION TRANSFORMER should always be used during the servicing of a unit whose chassis is connected to one side of the power line. Use a transformer of adequate power rating as this protects the serviceman from accidents resulting in personal injury from electrical shocks. It will also protect the chassis and its components from being damaged by accidental shorts of the circuitry that may be inadvertently introduced during the service operation.

5. Always REPLACE PROTECTIVE DEVICES, such as fishpaper, isolation resistors and capacitors and shields after working on the unit.

6. If the HIGH VOLTAGE is adjustable, it should always be ADJUSTED to the level recommended by the manufacturer. If the voltage is increased above the normal setting, exposure to unnecessary X-ray radiation could result. High voltage can accurately be measured with a high voltage meter connected from the anode lead to chassis.

7. BEFORE RETURNING A SERVICED UNIT, the service technician must thoroughly test the unit to be certain that it is completely safe to operate without danger of electrical shock. DO NOT USE A LINE ISOLATION TRANSFORMER WHEN MAKING THIS TEST.

In addition to practicing the basic and fundamental electrical safety rules, the following test, which is related to the minimum safety requirements of the Underwriters Laboratories should be performed by the service technician before any unit which has been serviced is returned.



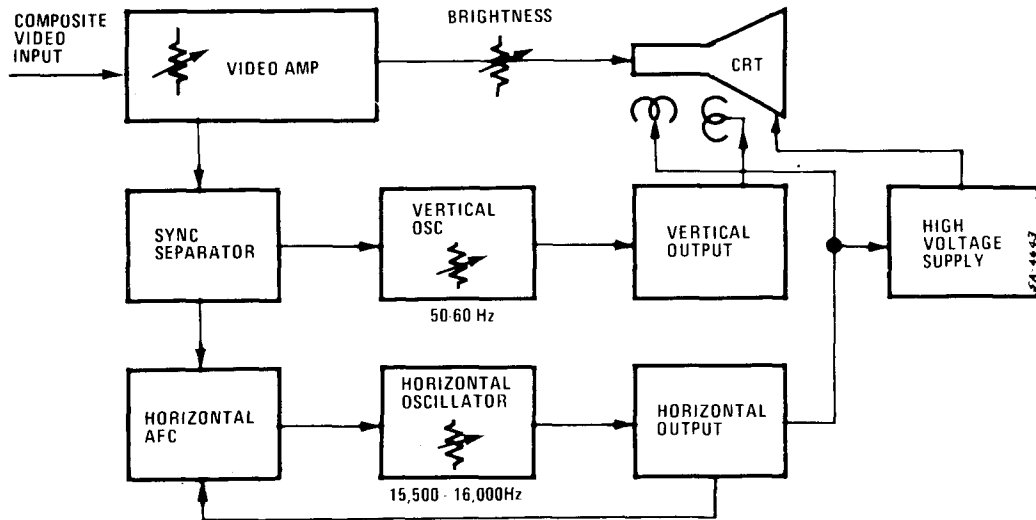
Voltmeter Hook-up for Safety Check.

A 1000 ohm per volt AC voltmeter is prepared by shunting it with a 1500 ohm, 10 watt resistor. The safety test is made by contacting one meter probe to any portion of the unit exposed to the operator such as the cabinet trim, hardware, controls, knobs, etc., while the other probe is held in contact with a good "earth" ground such as a cold water pipe.

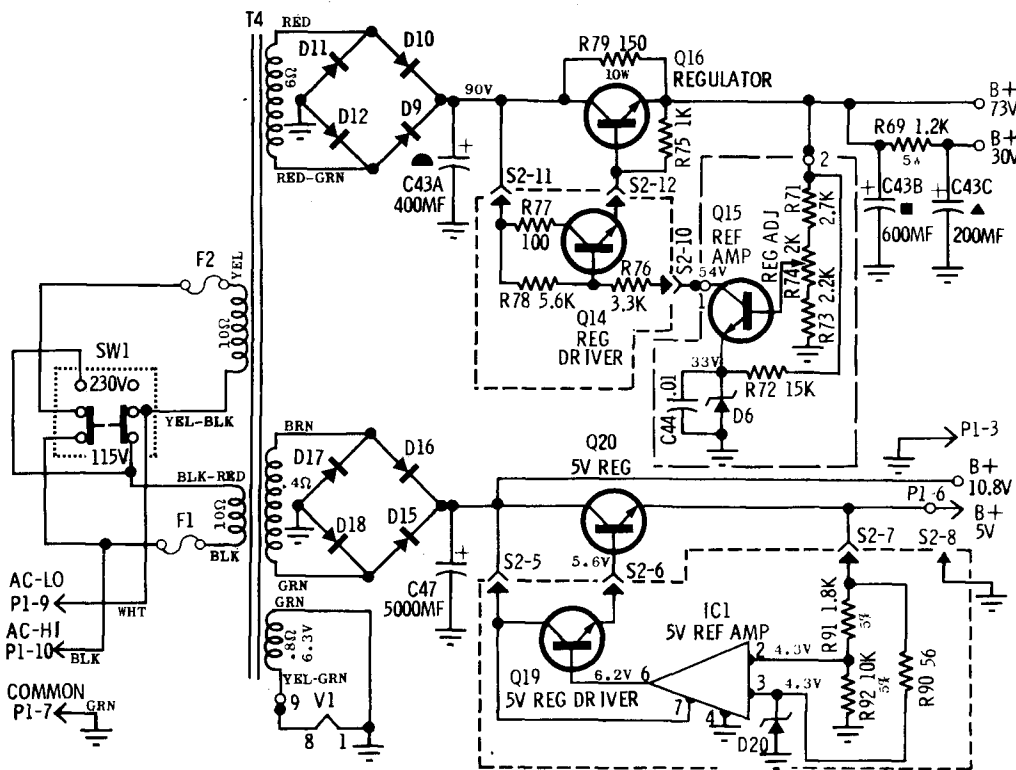
The AC voltage indicated by the meter may not exceed 7½ volts. A reading exceeding 7½ volts indicates that a potentially dangerous leakage path exists between the exposed portion of the unit and "earth" ground. Such a unit represents a potentially serious shock hazard to the operator.

The above test should be repeated with the power plug reversed, when applicable.

NEVER RETURN A MONITOR which does not pass the safety test until the fault has been located and corrected.



Block Diagram



POWER SUPPLY

The power supply is a transformer operated, full wave, regulated supply which maintains constant output voltage with input variations of $\pm 15\%$. A switch (SW1) is provided to allow operation from 115/230 volts, 50/60Hz. The regulator is a series pass circuit. Q16 is the series pass transistor, Q15 the reference amplifier and Q14 the output driver.

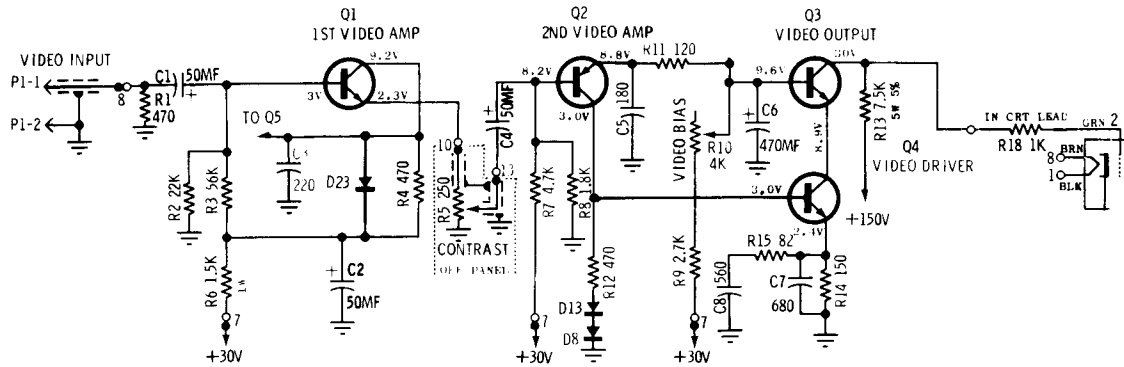
The output voltage of the regulator appears at the emitter of Q16. This voltage is divided between R71, R74 and R73. The voltage appearing on the arm of potentiometer R74 is a reference input to the base of Q15.

A temperature compensated zener diode (D6) is used to establish a fixed reference voltage at the emitter of Q15. R72 provides a bias current for D6, establishing its operating point.

An increase in output voltage will result in an increase of voltage at the base of Q15. Since the emitter of Q15 is held at a fixed reference voltage, the change in base voltage will turn Q15 on harder, reducing its collector voltage. This reduces forward bias for Q14 resulting in less emitter current and less base current for Q16. Q16 will conduct less, lowering the output voltage.

R79 provides a shunt current path for Q16 allowing it to run cooler, improving reliability. C44 is an RF noise filter.

A fixed, regulated 5V DC supply is used to power circuits external from the monitor. Its operation is similar to the 73V regulator except for the reference amplifier which is contained in the IC package.



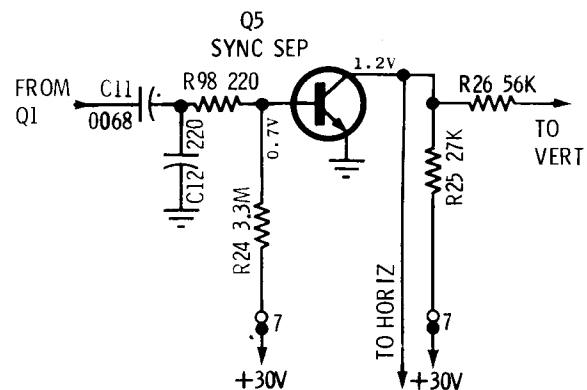
VIDEO AMPLIFIER

The video amplifier has four stages incorporating devices Q1, Q2, Q3 and Q4. The first stage, Q1, functions as an emitter follower. The low output impedance of the first stage permits use of a low resistance contrast control which furnishes flat video response over its entire range without the need for compensation. The collector output of Q1 is used to drive the sync separator. C3 provides high frequency roll off to limit the collector output to the bandwidth required to pass synchronization signals. Q2 is a common emitter stage and is directly coupled to Q4. Q3 and Q4 are connected in a cascode configuration. This common emitter-common base connection greatly reduces the effect of Miller capacity compared with a conventional single transistor video output stage. C6 provides a ground for video at the base of Q3, the grounded base transistor of the video output cascode pair. Diodes D13 and D8 provide temperature compensation for the video output stages, and diode D23 protects Q1 from transients.

The video bias control R10, is used to set the quiescent collector voltage of Q3. C5, C7, C8 and R15 are used for high frequency compensation. The video amplifier output is direct coupled to the control grid of the CRT through R18 which is used to isolate Q3 from transients that may occur as a result of CRT arcing.

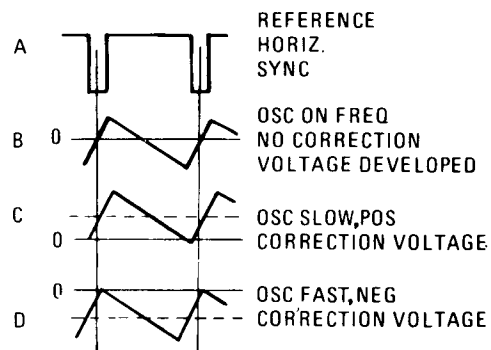
SYNC SEPARATOR

The sync separator employs a single stage, Q5, to recover sync from the composite video signal. A single stage sync separator is adequate due to the high impedance of the following stages. The video input to the sync separator is black positive. C11 is charged by the peak base current that flows when the positive peak of the input takes Q5 to saturation. This charge depends on the peak to peak input to Q5 and thus makes the bias for Q5 track the amplitude of the input signal. As a result Q5 amplifies only the positive peaks of the input signal. The initial bias current through R24 sets the clipping level. R98 is used for transient protection.



PHASE DETECTOR

The Phase Detector consists of two diodes in a keyed clamp circuit. Two inputs are required to generate the required output, one from the sync separator and one from the horizontal deflection system. The required output must be of the correct polarity and amplitude to correct phase differences between the input sync and the horizontal time base. The horizontal collector pulse is integrated into a sawtooth by R45 and C15. During sync time both diodes in D7 conduct, shorting C15 to ground.

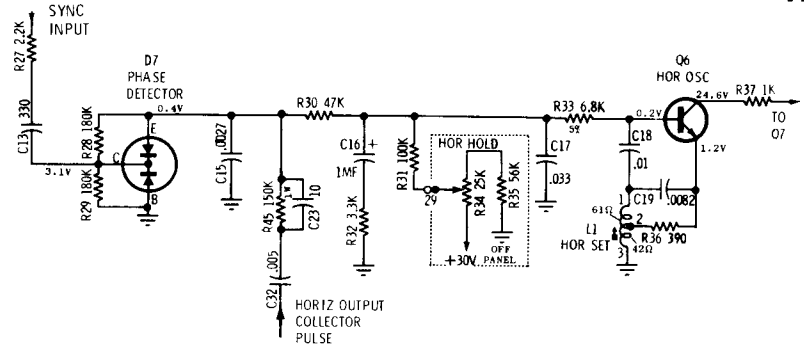


The sawtooth on C15 is thus clamped to ground at sync time. If the horizontal time base is in phase with the sync, the sync pulse will occur when the sawtooth is passing through its AC axis and the net charge on C15 will be zero. (Figure B). If the horizontal time base is lagging the sync, the sawtooth on C15 will be clamped to ground at a point negative from the AC axis. This will result in a positive DC charge on C15. (Figure C). This is the correct polarity to cause the horizontal oscillator to speed up to correct the phase lag.

Likewise, if the horizontal time base is leading the sync, the sawtooth on C15 will be clamped at a point positive from its AC axis, resulting in a net negative charge on C15 which is the required polarity to slow the horizontal oscillator (Figure D). R30, C17, C16 and R32 comprise the phase detector filter. The bandpass of this filter is chosen to provide correction of horizontal oscillator phase without ringing or hunting. Capacitor C23 times the phase detector for correct centering of the picture on the raster.

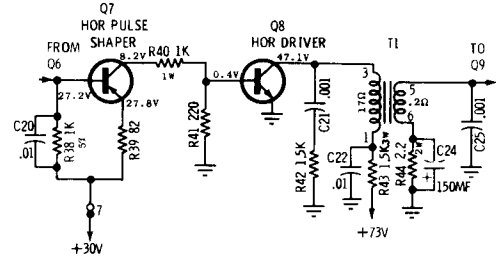
HORIZONTAL OSCILLATOR

Q6 is employed in a modified type of Hartley oscillator. The operating frequency of this oscillator is sensitive to its base input voltage. This permits control by the output of the phase detector and also by the setting of the horizontal hold control, R34. The horizontal hold range is set by adjustment of the core of L1.



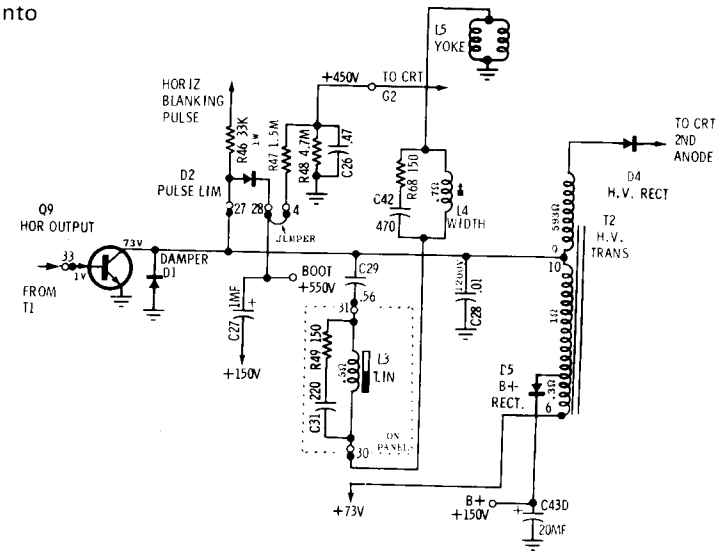
PULSE SHAPER & HORIZONTAL DRIVER

Q7 is used as a buffer stage between the horizontal oscillator and horizontal driver. It provides isolation for the horizontal oscillator as well as a low impedance drive for the horizontal driver. R38 and C20 form a time constant which shapes the oscillator output to the required duty cycle (approximately 50%), to drive the horizontal output circuitry. The horizontal driver stage, Q8 operates as a switch to drive the horizontal output transistor through T1. Because of the low impedance drive and fast switching times furnished by Q7, very little power is dissipated in Q8. C21 and R42 provide damping to suppress ringing of the primary of T2 when Q8 goes into cutoff.

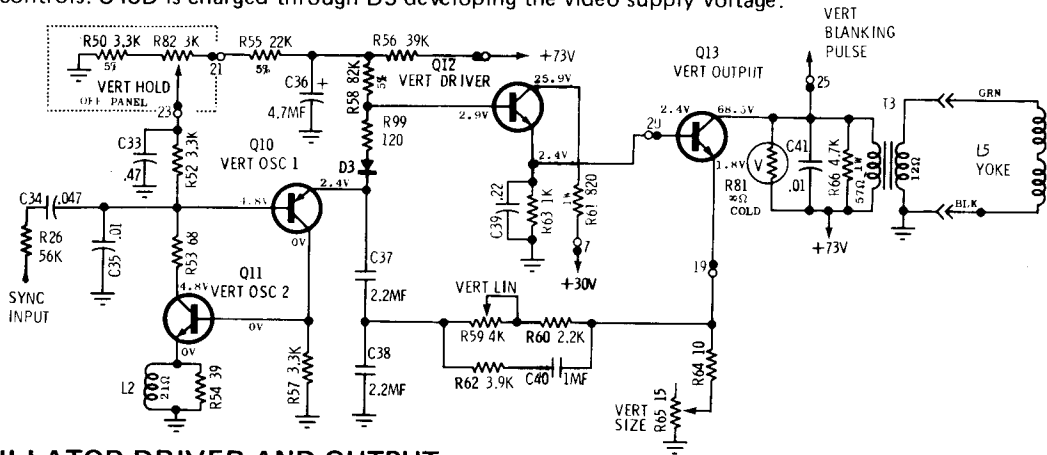


HORIZONTAL OUTPUT

The secondary of T1 provides the required low drive impedance for Q9. R44 and C24 form a time constant for fast turn-off of the base of Q9. Q9 operates as a switch which, once each horizontal period, connects the supply voltage across the parallel combination of the horizontal deflection yoke and the primary of T2. The required sawtooth of deflection current through the horizontal yoke is formed by the L-R time constant of the yoke and output transformer primary. The horizontal retrace pulse charges C27 through D2 to provide operating voltage for G2 of the CRT. Momentary transients at the collector of Q9, should they occur, are limited to the voltage on C27 since D2 will conduct if the collector voltage exceeds this value.



The damper diode, D1, conducts during the period between retrace and turn on of Q9. C28 is the retrace tuning capacitor. C29 blocks DC from the deflection yoke. L3 is a magnetically biased linearity coil which shapes deflection current for optimum trace linearity. L4 is a series width control. C31 and R49, C42 and R68 are damping network components for the linearity and width controls. C43D is charged through D5 developing the video supply voltage.



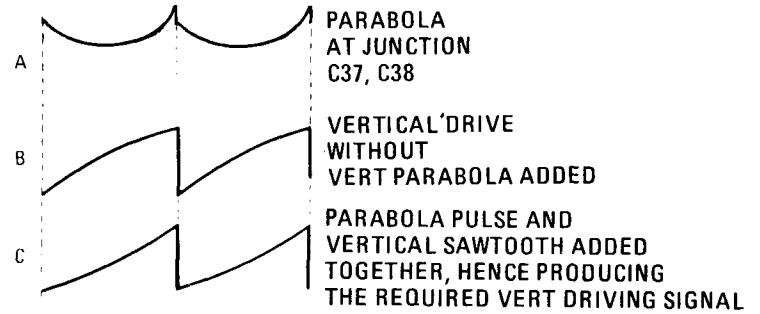
VERTICAL OSCILLATOR DRIVER AND OUTPUT

Sync from the collector of Q5 is integrated by R26 and C35. Q10 and Q11 are connected as a regenerative switch. The series combination of C37 and C38 charges through R58, R56 and D3 until Q10 turns on. This occurs when the emitter of Q10 exceeds its base voltage and causes current to flow into the base of Q11, turning that device on. When Q10 and Q11 conduct,

C37 and C38 are discharged to nearly zero. Q10 and Q11 then shut off and the cycle repeats. The setting of R82 determines the repetition rate of the charge and discharge of C37 and C38. The waveform generated is a positive going ramp or sawtooth with a fast retrace to zero. D3 provides a small incremental voltage above ground to overcome the forward sawtooth to a low impedance drive for Q13.

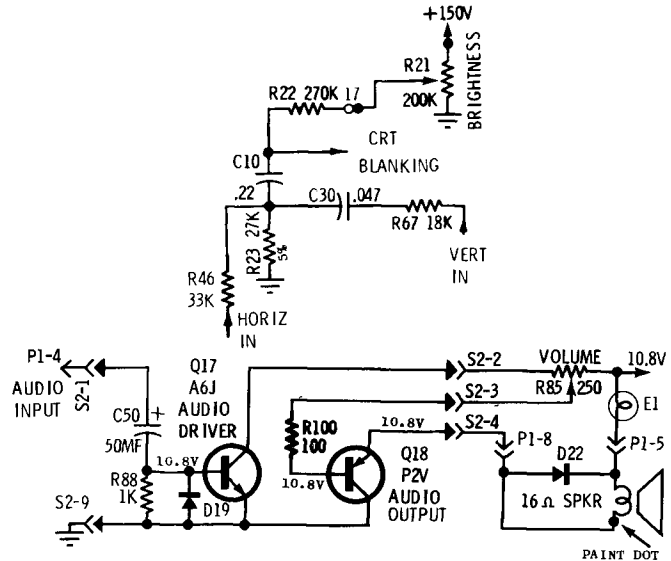
T3 matches the collector of Q13 to the vertical yoke. When Q13 is cut off during vertical retrace, a high voltage pulse is developed across the primary of T3. To limit this pulse to a safe value a varistor, R81, is connected across the primary. R66 and C41 provide damping to shape the collector pulse so it may be used for retrace blanking. Since the primary impedance of T3 decreases with current, the degree to which the primary shunts the reflected load impedance varies with collector current. This would result in severe vertical non-linearity unless some compensation is employed.

Resistors R59 and R60 couple the emitter voltage of Q13 to the junction of C37 and C38. Since this path is resistive, the waveform coupled back will be integrated into a parabola by C38. This results in a pre-distortion of the drive sawtooth as shown in Figure C. This is done to compensate for the non linear charging of C37 and C38 and the changing impedance of the primary of T3. An additional feedback path through R62 and C40 serves to optimize the drive waveshape for best linearity.



RETRACE BLANKING

Both vertical and horizontal retrace blanking are provided by positive pulses applied to the CRT cathode. The collector pulse from the horizontal output transistor is placed across R23 through R46. The vertical collector voltage is differentiated by C30 to remove the sawtooth portion of the waveform. The remaining pulse appears across R23. The mixed vertical and horizontal pulses on R23 are coupled to the CRT cathode by C10.



AUDIO AMPLIFIER

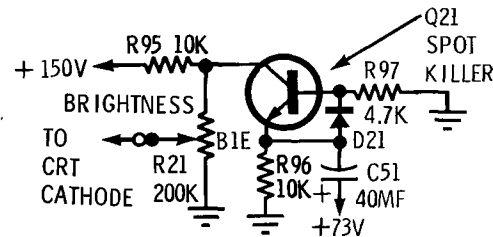
Q17 and Q18 form a DC coupled "switching tone burst amplifier". An input signal biases Q17 on, in turn driving Q18 into conduction. When the signal is removed both stages return to a quiescent mode. Coupling capacitor C50, diode D19 and resistor R88 establish a bias voltage which is signal dependent. Volume control R85 sets the peak to peak level for the output stage.

Lamp E1 serves to protect the speaker if the audio output transistor fails, it also protects the transistor should the speaker leads be shorted.

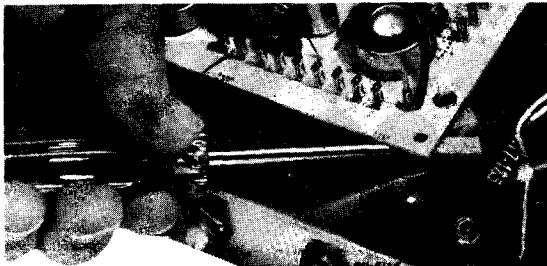
Diode D22 (on early models) polarizes the speaker insuring proper installation. If it is installed wrong, little or no audio will be developed.

SPOT KILLER

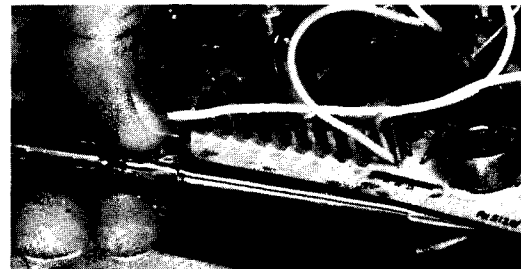
Normally Q21 is not conducting and capacitor C51 is charged to the supply voltage. When the monitor is turned off, C51 discharges through R96 turning the transistor on. It in turn removes the positive potential from the brightness control connecting the CRT cathode to ground, causing the tube to conduct hard, discharging the high voltage.



PANEL REMOVAL/INSTALLATION



SERVICE NOTES



To prevent damage to the board or foil when removing the circuit panel it may be necessary to pry up slowly, IN STAGES around the edges as shown. Start at one corner and move all around the board keeping the screw driver tip against the chassis. When installing, apply pressure at the edges near the pins. Do not force down on the components.

CIRCUIT TRACING

Component reference numbers are printed on top and bottom of the plug-in circuit board to facilitate circuit tracing. In addition, control names and board terminal numbers are also shown and are referenced on the chassis schematic diagram in this manual.

Transistor elements are identified as follows:

E — emitter, B — base, and C — collector.

COMPONENT REMOVAL

Removing components from the etched board is facilitated by the fact that the circuitry (plating) appears on one side of the board only and the component leads are inserted straight through the holes and are not bent or crimped.

It is recommended that a solder extracting gun be used to aid in component removal. An iron with a temperature controlled heating element would be desirable since it would reduce the possibility of damaging the board due to over-heating.

The nozzle of the soldering gun is inserted directly over the component lead and when sufficiently heated, the solder is drawn away leaving the lead free from the copper plating. This method is particularly suitable in removing multi-terminal components.

REGULATOR ADJUSTMENT

NOTE: Misadjustment of the low voltage regulator, or the horizontal oscillator may result in damage to the Horizontal Output Transistor or pulse limiter diode. The following procedures are recommended to insure reliable operation.

1. Connect monitor to AC line supply. Adjust supply to 120 volts (240 on some models).
2. Apply test signal to proper input. Signal should be of same amplitude and sync rate as when monitor is in service.
3. Adjust vertical and horizontal oscillator controls until display is synced.
4. Connect a DC digital voltmeter or other precision accuracy voltmeter to the emitter of the regulator output transistor, (or any 73 volt test point).
5. Adjust the regulator control R74, on circuit board for an output of 73 volts. **Do not "run" the regulator control through its range or damage to the monitor may result.**
6. When adjustment is complete, the AC line supply can be varied between 105 and 130 volts to check for proper regulator operation. With regulator operating properly, changes in display size should be negligible.

HORIZONTAL OSCILLATOR ADJUSTMENT

1. Set the horizontal hold potentiometer to mid-range (R34).
2. Adjust core of horizontal hold coil L1 until the horizontal blanking lines are vertical.
3. Rotate potentiometer R34 through its full range. Display should go out of sync in each direction and hold in sync at the center of its range. Retouch L1 as necessary to center the hold range.

VIDEO AMPLIFIER BIAS ADJUSTMENT

Adjust video bias control R10 for 30 volts DC on collector of video output transistor Q3 with no signal input.

Disconnect cable from video input jack if necessary to eliminate noise.

POWER TRANSISTOR REPLACEMENT

When replacing any "plug-in" transistor, i.e., the horizontal or vertical output, please observe the following precautions:

1. The transistor sockets are not "Captive", that is, the transistor mounting screws also secure the socket. When installing the transistor, the socket must be held in its proper location. This location is indicated by flanges on the socket which fit into the heat sink.
2. When replacing the output transistors, silicone grease (Motorola Part No. 11M490487) should be

applied evenly to both sides of the mica insulator.

3. All transistor mounting screws must be tight before applying power to the receiver. This insures proper cooling and electrical connections.

NON-COMPLIANCE WITH THESE INSTRUCTIONS CAN RESULT IN FAILURE OF THE TRANSISTOR AND/OR ITS RELATED COMPONENTS.

NOTE: Use caution when tightening transistor mounting screws. If the screw threads are stripped by excessive pressure, a poor electrical and mechanical connection will result.

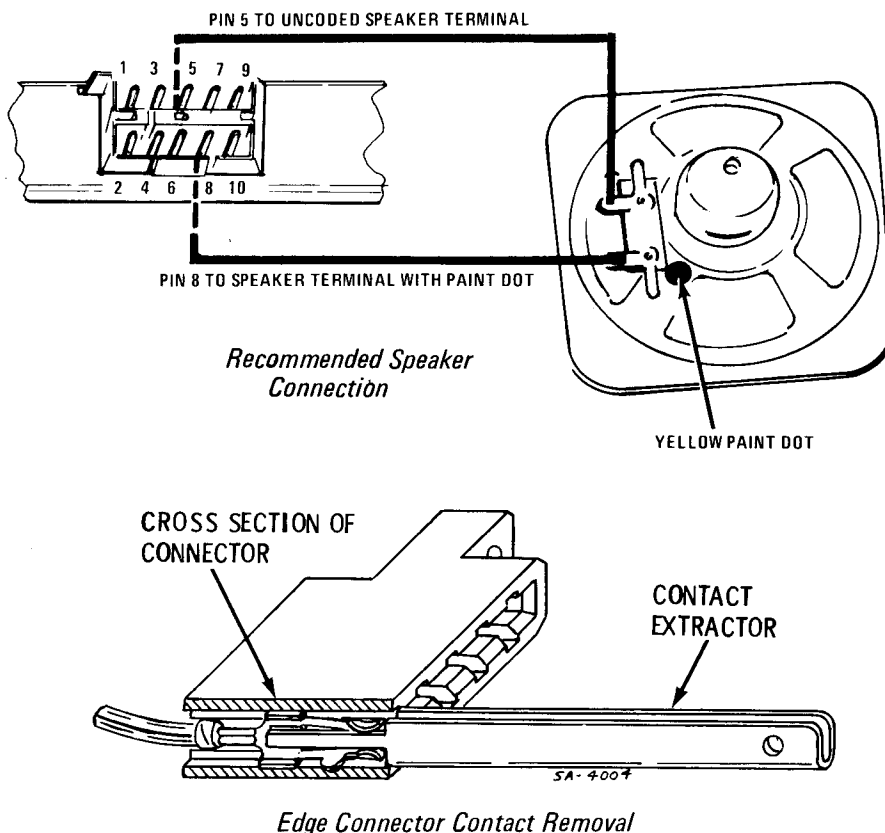
CRT REPLACEMENT

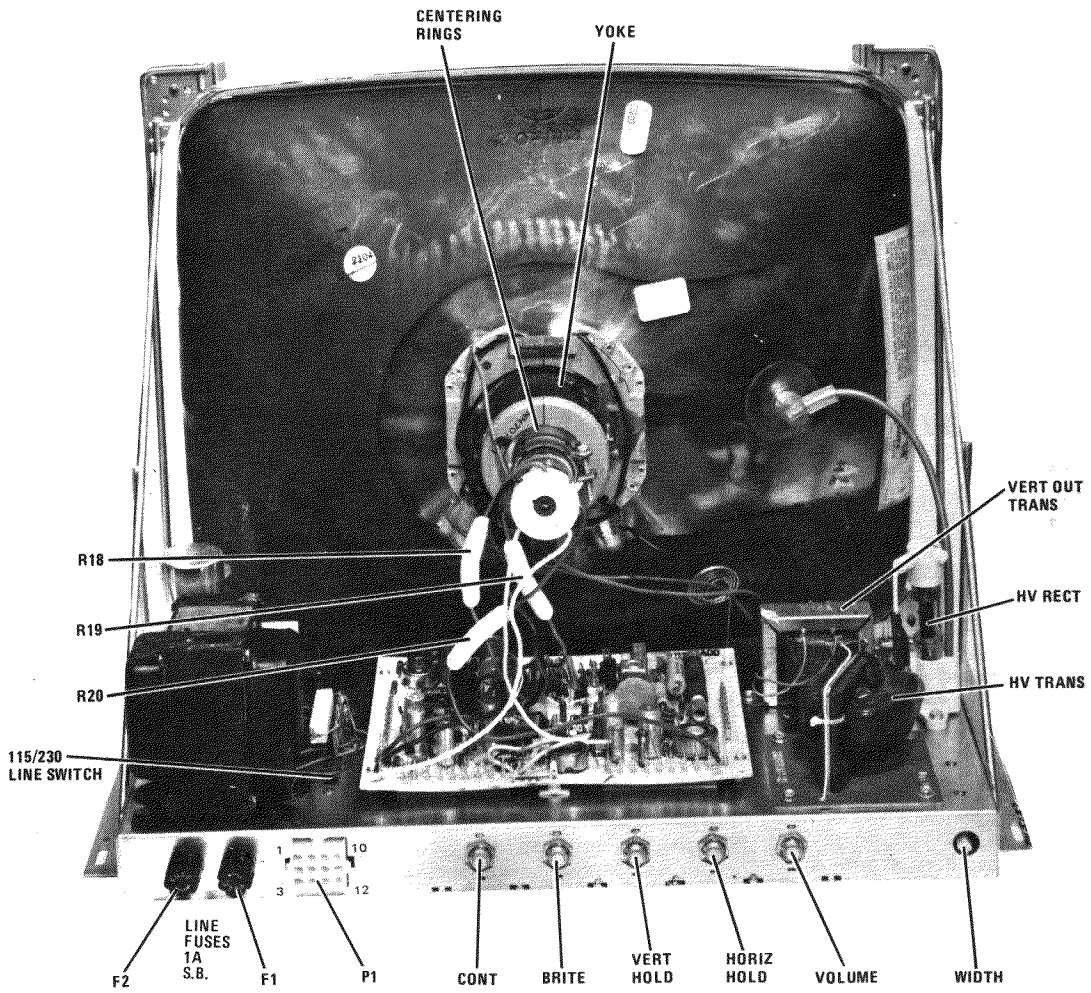
Use extreme care in handling the CRT as rough handling may cause it to implode due to atmospheric pressure. Do not nick or scratch glass or subject it to any undue pressure in removal or installation. Use goggles and heavy gloves for protection.

1. Discharge CRT by shorting 2nd anode to ground. Remove CRT socket, yoke and 2nd anode lead.
2. Remove CRT from chassis by removing four screws at corners.

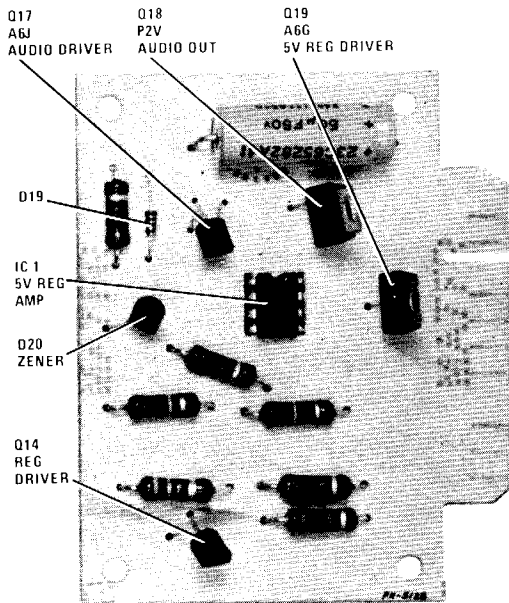
PANEL CONNECTOR CONTACT REMOVAL

Contacts can be removed from the multipin panel connector by using extractor tool, Part No. 66P65173A47. Insert the tool over contact and seat fully. Tool will release contact. Pull contact out from wired side.

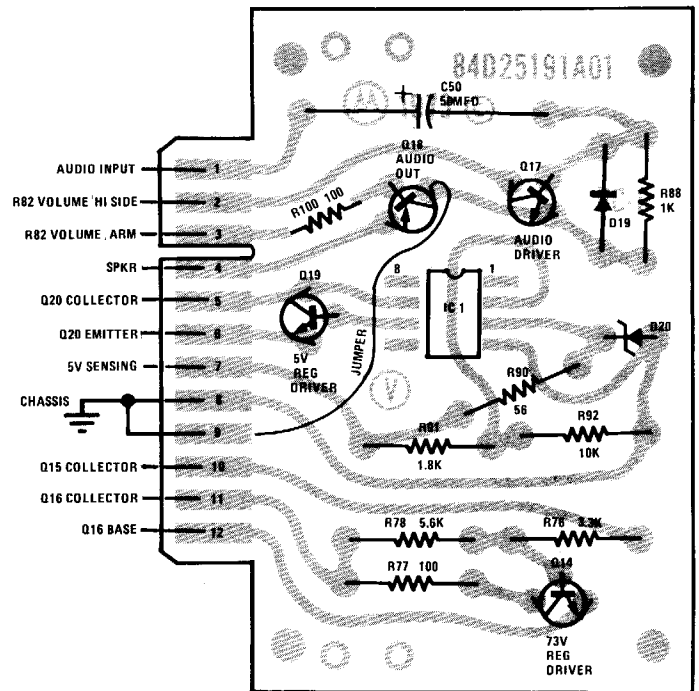




Chassis Component Location Rear View

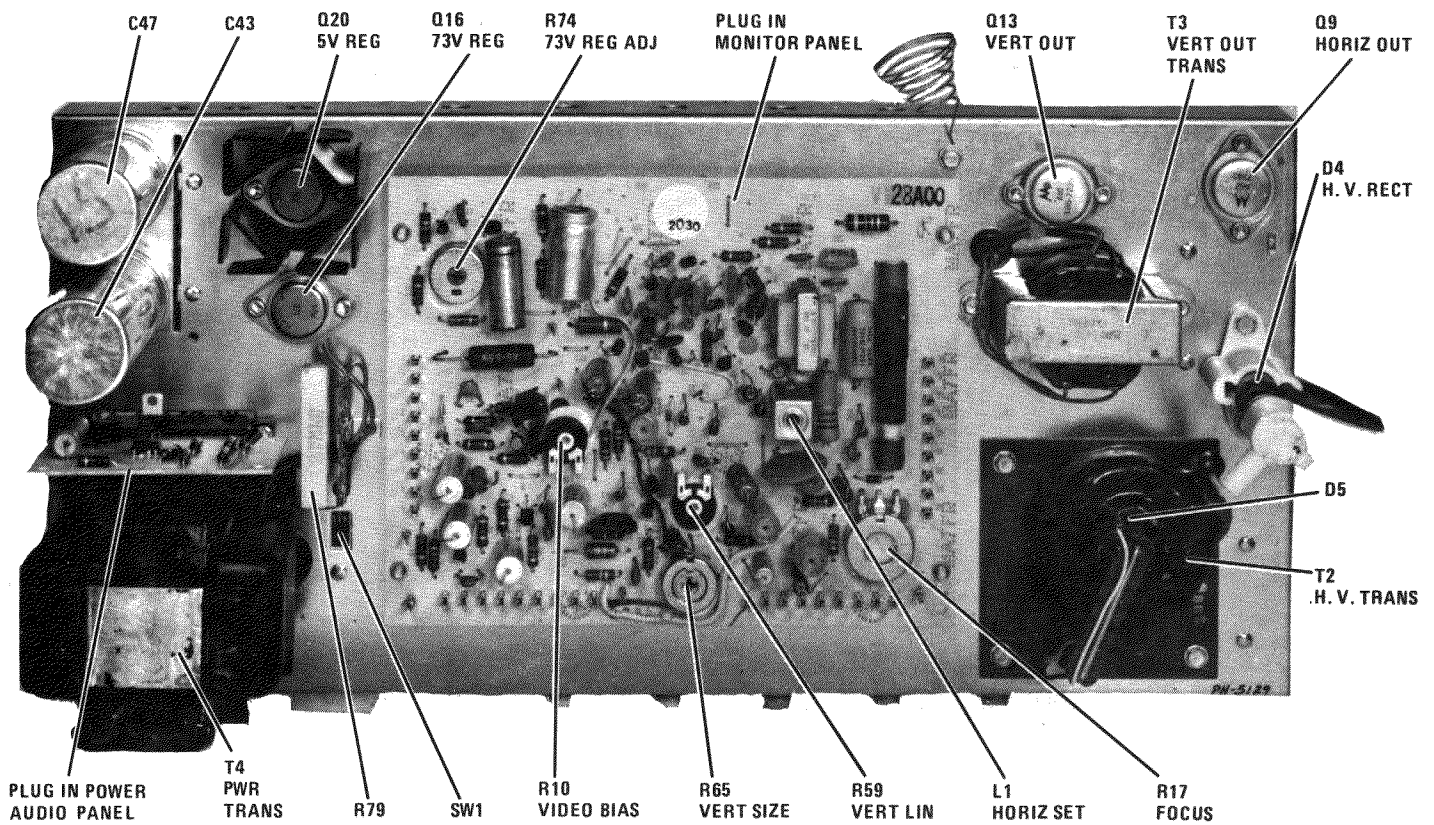


Top View

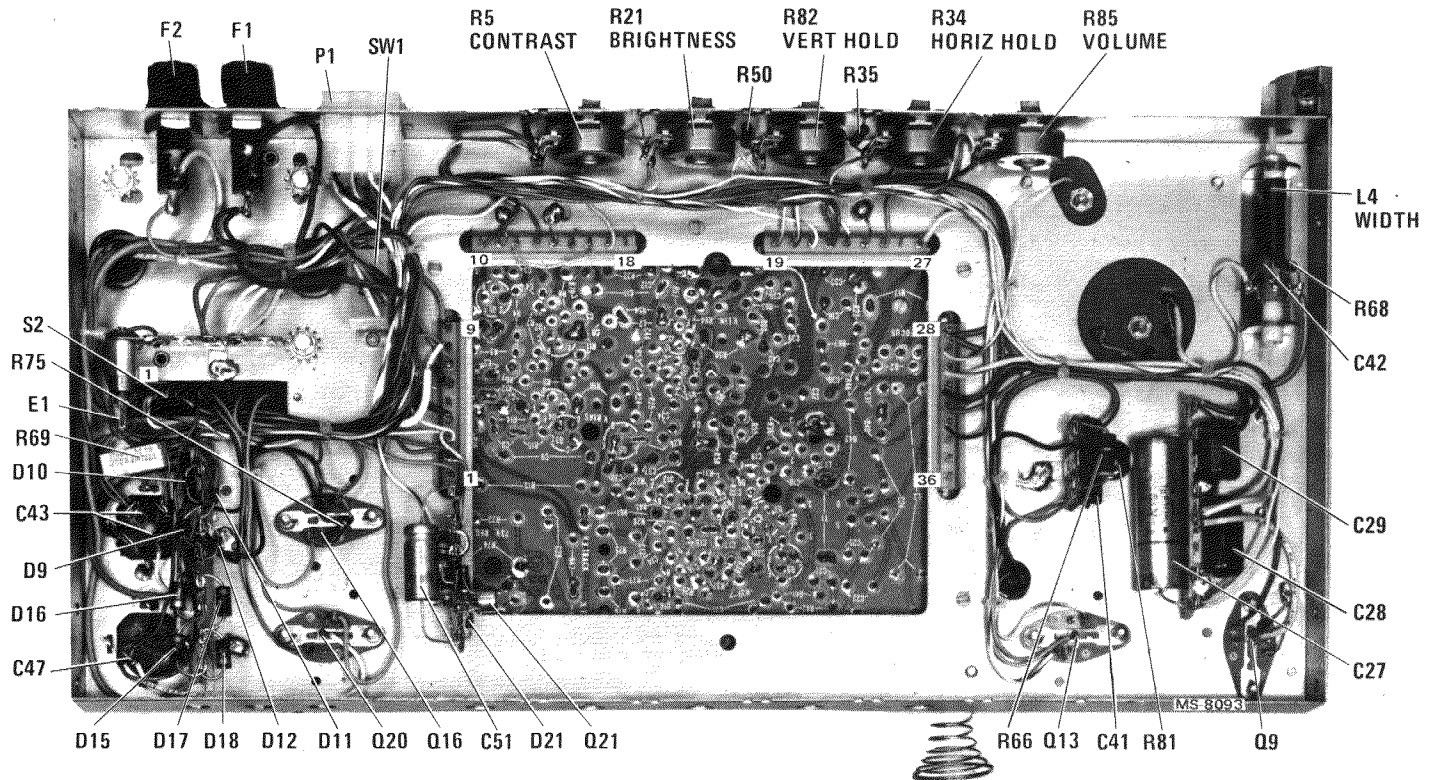


Circuit Side

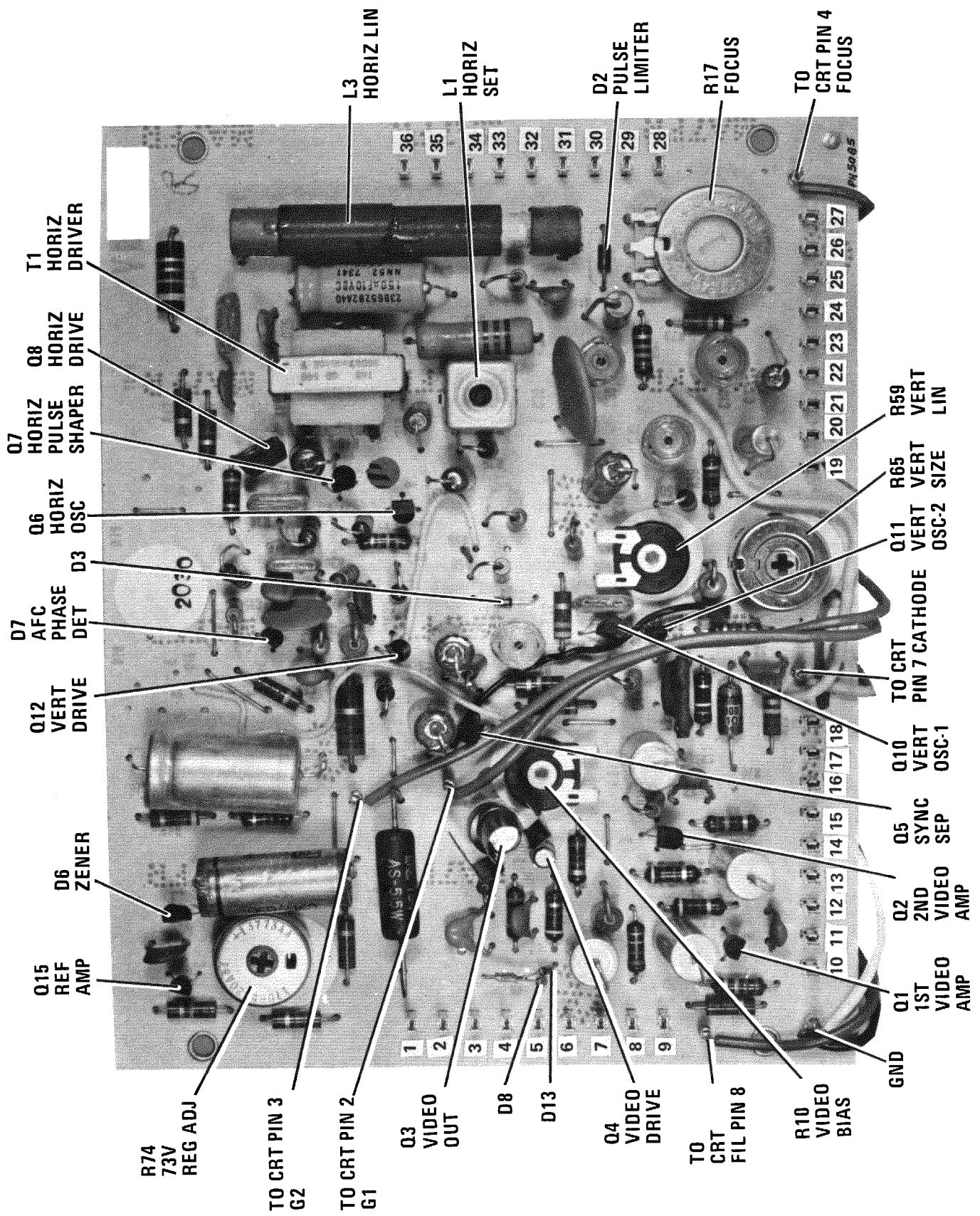
Power, Audio Panel Component Location



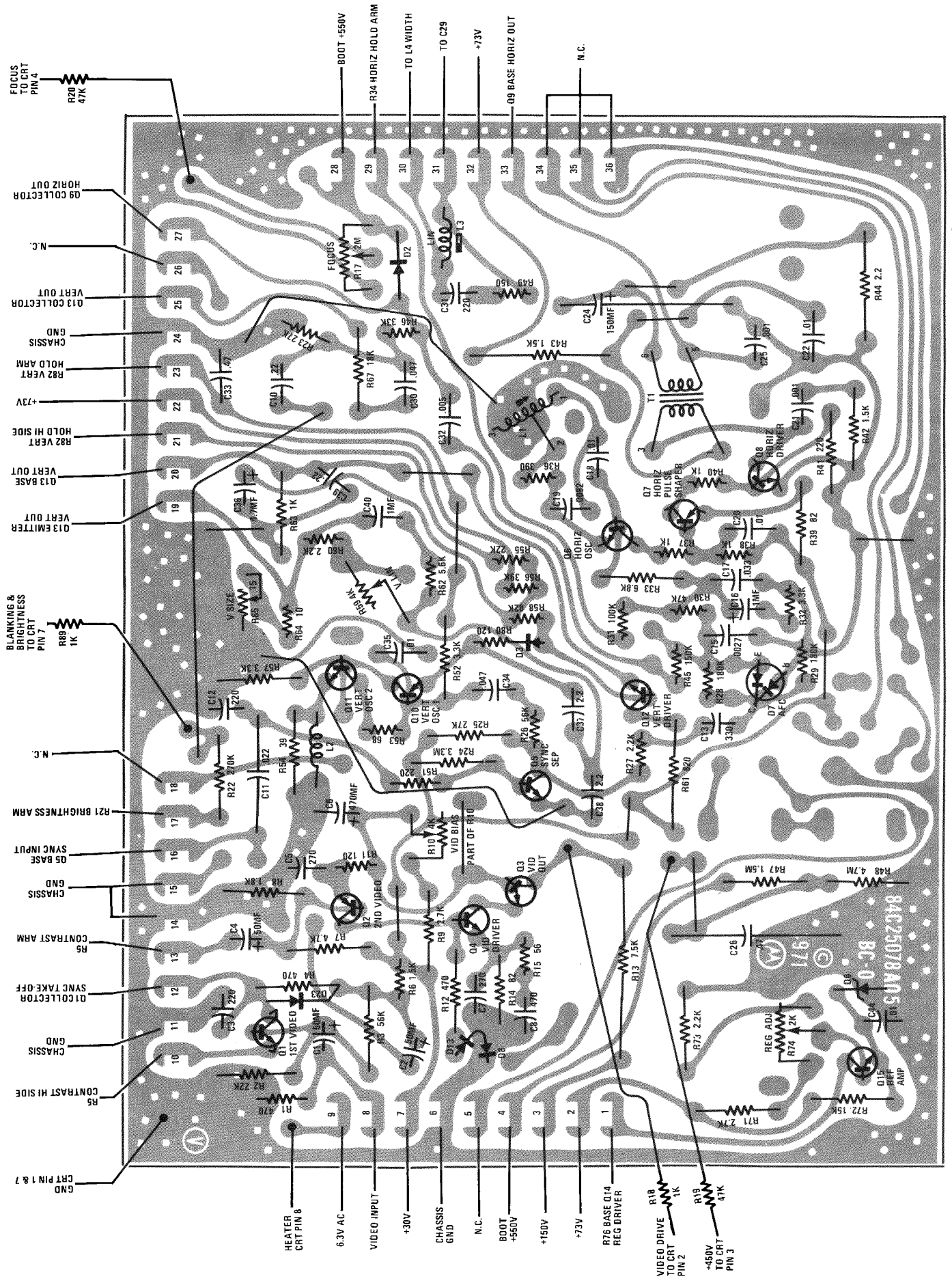
Chassis Component Location Top View



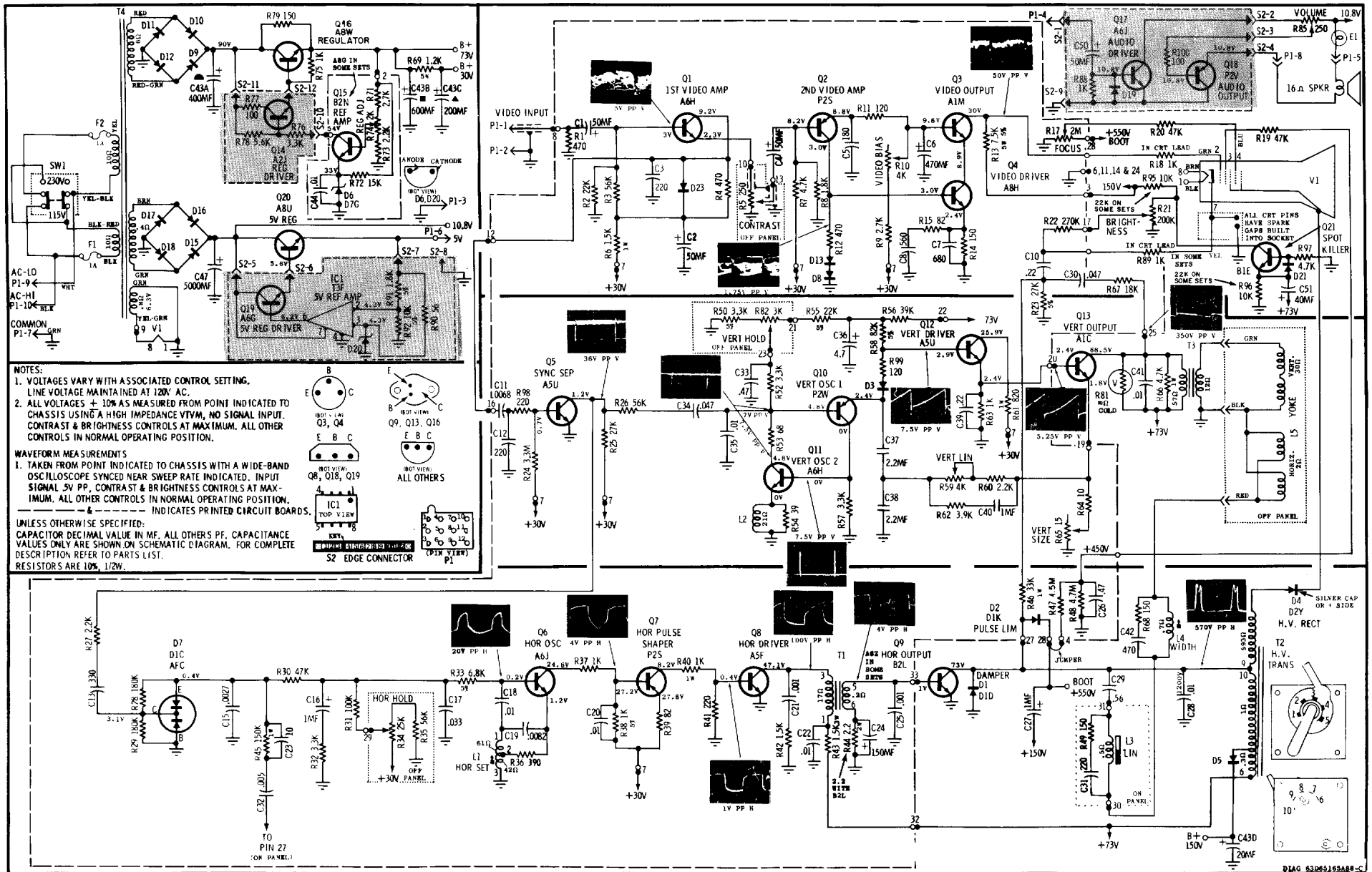
Chassis Component Location Bottom View



Monitor Panel — Component Side



FOCUS TO CRT PIN 4
 R20 47K
 09 COLLECTOR HORIZ OUT
 N.C.
 013 COLLECTOR VERT OUT
 CHASSIS GND
 HOLD ARM
 R23 27K
 R24 23
 R25 24
 R26 25
 R27 26
 R28 27
 R29 28
 R30 29
 R31 30
 R32 31
 R33 32
 R34 33
 R35 34
 R36 35
 R37 36
 R38 37
 R39 38
 R40 39
 R41 40
 R42 41
 R43 42
 R44 43
 R45 44
 R46 45
 R47 46
 R48 47
 R49 48
 R50 49
 R51 50
 R52 51
 R53 52
 R54 53
 R55 54
 R56 55
 R57 56
 R58 57
 R59 58
 R60 59
 R61 60
 R62 61
 R63 62
 R64 63
 R65 64
 R66 65
 R67 66
 R68 67
 R69 68
 R70 69
 R71 70
 R72 71
 R73 72
 R74 73
 R75 74
 R76 75
 R77 76
 R78 77
 R79 78
 R80 79
 R81 80
 R82 81
 R83 82
 R84 83
 R85 84
 R86 85
 R87 86
 R88 87
 R89 88
 R90 89
 R91 90
 R92 91
 R93 92
 R94 93
 R95 94
 R96 95
 R97 96
 R98 97
 R99 98
 R100 99
 R101 100
 R102 101
 R103 102
 R104 103
 R105 104
 R106 105
 R107 106
 R108 107
 R109 108
 R110 109
 R111 110
 R112 111
 R113 112
 R114 113
 R115 114
 R116 115
 R117 116
 R118 117
 R119 118
 R120 119
 R121 120
 R122 121
 R123 122
 R124 123
 R125 124
 R126 125
 R127 126
 R128 127
 R129 128
 R130 129
 R131 130
 R132 131
 R133 132
 R134 133
 R135 134
 R136 135
 R137 136
 R138 137
 R139 138
 R140 139
 R141 140
 R142 141
 R143 142
 R144 143
 R145 144
 R146 145
 R147 146
 R148 147
 R149 148
 R150 149
 R151 150
 R152 151
 R153 152
 R154 153
 R155 154
 R156 155
 R157 156
 R158 157
 R159 158
 R160 159
 R161 160
 R162 161
 R163 162
 R164 163
 R165 164
 R166 165
 R167 166
 R168 167
 R169 168
 R170 169
 R171 170
 R172 171
 R173 172
 R174 173
 R175 174
 R176 175
 R177 176
 R178 177
 R179 178
 R180 179
 R181 180
 R182 181
 R183 182
 R184 183
 R185 184
 R186 185
 R187 186
 R188 187
 R189 188
 R190 189
 R191 190
 R192 191
 R193 192
 R194 193
 R195 194
 R196 195
 R197 196
 R198 197
 R199 198
 R200 199
 R201 200
 R202 201
 R203 202
 R204 203
 R205 204
 R206 205
 R207 206
 R208 207
 R209 208
 R210 209
 R211 210
 R212 211
 R213 212
 R214 213
 R215 214
 R216 215
 R217 216
 R218 217
 R219 218
 R220 219
 R221 220
 R222 221
 R223 222
 R224 223
 R225 224
 R226 225
 R227 226
 R228 227
 R229 228
 R230 229
 R231 230
 R232 231
 R233 232
 R234 233
 R235 234
 R236 235
 R237 236
 R238 237
 R239 238
 R240 239
 R241 240
 R242 241
 R243 242
 R244 243
 R245 244
 R246 245
 R247 246
 R248 247
 R249 248
 R250 249
 R251 250
 R252 251
 R253 252
 R254 253
 R255 254
 R256 255
 R257 256
 R258 257
 R259 258
 R260 259
 R261 260
 R262 261
 R263 262
 R264 263
 R265 264
 R266 265
 R267 266
 R268 267
 R269 268
 R270 269
 R271 270
 R272 271
 R273 272
 R274 273
 R275 274
 R276 275
 R277 276
 R278 277
 R279 278
 R280 279
 R281 280
 R282 281
 R283 282
 R284 283
 R285 284
 R286 285
 R287 286
 R288 287
 R289 288
 R290 289
 R291 290
 R292 291
 R293 292
 R294 293
 R295 294
 R296 295
 R297 296
 R298 297
 R299 298
 R300 299
 R301 300
 R302 301
 R303 302
 R304 303
 R305 304
 R306 305
 R307 306
 R308 307
 R309 308
 R310 309
 R311 310
 R312 311
 R313 312
 R314 313
 R315 314
 R316 315
 R317 316
 R318 317
 R319 318
 R320 319
 R321 320
 R322 321
 R323 322
 R324 323
 R325 324
 R326 325
 R327 326
 R328 327
 R329 328
 R330 329
 R331 330
 R332 331
 R333 332
 R334 333
 R335 334
 R336 335
 R337 336
 R338 337
 R339 338
 R340 339
 R341 340
 R342 341
 R343 342
 R344 343
 R345 344
 R346 345
 R347 346
 R348 347
 R349 348
 R350 349
 R351 350
 R352 351
 R353 352
 R354 353
 R355 354
 R356 355
 R357 356
 R358 357
 R359 358
 R360 359
 R361 360
 R362 361
 R363 362
 R364 363
 R365 364
 R366 365
 R367 366
 R368 367
 R369 368
 R370 369
 R371 370
 R372 371
 R373 372
 R374 373
 R375 374
 R376 375
 R377 376
 R378 377
 R379 378
 R380 379
 R381 380
 R382 381
 R383 382
 R384 383
 R385 384
 R386 385
 R387 386
 R388 387
 R389 388
 R390 389
 R391 390
 R392 391
 R393 392
 R394 393
 R395 394
 R396 395
 R397 396
 R398 397
 R399 398
 R400 399
 R401 400
 R402 401
 R403 402
 R404 403
 R405 404
 R406 405
 R407 406
 R408 407
 R409 408
 R410 409
 R411 410
 R412 411
 R413 412
 R414 413
 R415 414
 R416 415
 R417 416
 R418 417
 R419 418
 R420 419
 R421 420
 R422 421
 R423 422
 R424 423
 R425 424
 R426 425
 R427 426
 R428 427
 R429 428
 R430 429
 R431 430
 R432 431
 R433 432
 R434 433
 R435 434
 R436 435
 R437 436
 R438 437
 R439 438
 R440 439
 R441 440
 R442 441
 R443 442
 R444 443
 R445 444
 R446 445
 R447 446
 R448 447
 R449 448
 R450 449
 R451 450
 R452 451
 R453 452
 R454 453
 R455 454
 R456 455
 R457 456
 R458 457
 R459 458
 R460 459
 R461 460
 R462 461
 R463 462
 R464 463
 R465 464
 R466 465
 R467 466
 R468 467
 R469 468
 R470 469
 R471 470
 R472 471
 R473 472
 R474 473
 R475 474
 R476 475
 R477 476
 R478 477
 R479 478
 R480 479
 R481 480
 R482 481
 R483 482
 R484 483
 R485 484
 R486 485
 R487 486
 R488 487
 R489 488
 R490 489
 R491 490
 R492 491
 R493 492
 R494 493
 R495 494
 R496 495
 R497 496
 R498 497
 R499 498
 R500 499
 R501 500
 R502 501
 R503 502
 R504 503
 R505 504
 R506 505
 R507 506
 R508 507
 R509 508
 R510 509
 R511 510
 R512 511
 R513 512
 R514 513
 R515 514
 R516 515
 R517 516
 R518 517
 R519 518
 R520 519
 R521 520
 R522 521
 R523 522
 R524 523
 R525 524
 R526 525
 R527 526
 R528 527
 R529 528
 R530 529
 R531 530
 R532 531
 R533 532
 R534 533
 R535 534
 R536 535
 R537 536
 R538 537
 R539 538
 R540 539
 R541 540
 R542 541
 R543 542
 R544 543
 R545 544
 R546 545
 R547 546
 R548 547
 R549 548
 R550 549
 R551 550
 R552 551
 R553 552
 R554 553
 R555 554
 R556 555
 R557 556
 R558 557
 R559 558
 R560 559
 R561 560
 R562 561
 R563 562
 R564 563
 R565 564
 R566 565
 R567 566
 R568 567
 R569 568
 R570 569
 R571 570
 R572 571
 R573 572
 R574 573
 R575 574
 R576 575
 R577 576
 R578 577
 R579 578
 R580 579
 R581 580
 R582 581
 R583 582
 R584 583
 R585 584
 R586 585
 R587 586
 R588 587
 R589 588
 R590 589
 R591 590
 R592 591
 R593 592
 R594 593
 R595 594
 R596 595
 R597 596
 R598 597
 R599 598
 R600 599
 R601 600
 R602 601
 R603 602
 R604 603
 R605 604
 R606 605
 R607 606
 R608 607
 R609 608
 R610 609
 R611 610
 R612 611
 R613 612
 R614 613
 R615 614
 R616 615
 R617 616
 R618 617
 R619 618
 R620 619
 R621 620
 R622 621
 R623 622
 R624 623
 R625 624
 R626 625
 R627 626
 R628 627
 R629 628
 R630 629
 R631 630
 R632 631
 R633 632
 R634 633
 R635 634
 R636 635
 R637 636
 R638 637
 R639 638
 R640 639
 R641 640
 R642 641
 R643 642
 R644 643
 R645 644
 R646 645
 R647 646
 R648 647
 R649 648
 R650 649
 R651 650
 R652 651
 R653 652
 R654 653
 R655 654
 R656 655
 R657 656
 R658 657
 R659 658
 R660 659
 R661 660
 R662 661
 R663 662
 R664 663
 R665 664
 R666 665
 R667 666
 R668 667
 R669 668
 R670 669
 R671 670
 R672 671
 R673 672
 R674 673
 R675 674
 R676 675
 R677 676
 R678 677
 R679 678
 R680 679
 R681 680
 R682 681
 R683 682
 R684 683
 R685 684
 R686 685
 R687 686
 R688 687
 R689 688
 R690 689
 R691 690
 R692 691
 R693 692
 R694 693
 R695 694
 R696 695
 R697 696
 R698 697
 R699 698
 R700 699
 R701 700
 R702 701
 R703 702
 R704 703
 R705 704
 R706 705
 R707 706
 R708 707
 R709 708
 R710 709
 R711 710
 R712 711
 R713 712
 R714 713
 R715 714
 R716 715
 R717 716
 R718 717
 R719 718
 R720 719
 R721 720
 R722 721
 R723 722
 R724 723
 R725 724
 R726 725
 R727 726
 R728 727
 R729 728
 R730 729
 R731 730
 R732 731
 R733 732
 R734 733
 R735 734
 R736 735
 R737 736
 R738 737
 R739 738
 R740 739
 R741 740
 R742 741
 R743 742
 R744 743
 R745 744
 R746 745
 R747 746
 R748 747
 R749 748
 R750 749
 R751 750
 R752 751
 R753 752
 R754 753
 R755 754
 R756 755
 R757 756
 R758 757
 R759 758
 R760 759
 R761 760
 R762 761
 R763 762
 R764 763
 R765 764
 R766 765
 R767 766
 R768 767
 R769 768
 R770 769
 R771 770
 R772 771
 R773 772
 R774 773
 R775 774
 R776 775
 R777 776
 R778 777
 R779 778
 R780 779
 R781 780
 R782 781
 R783 782
 R784 783
 R785 784
 R786 785
 R787 786
 R788 787
 R789 788
 R790 789
 R791 790
 R792 791
 R793 792
 R794 793
 R795 794
 R796 795
 R797 796
 R798 797
 R799 798
 R800 799
 R801 800
 R802 801
 R803 802
 R804 803
 R805 804
 R806 805
 R807 806
 R808 807
 R809 808
 R810 809
 R811 810
 R812 811
 R813 812
 R814 813
 R815 814
 R816 815
 R817 816
 R818 817
 R819 818
 R820 819
 R821 820
 R822 821
 R823 822
 R824 823
 R825 824
 R826 825
 R827 826
 R828 827
 R829 828
 R830 829
 R831 830
 R832 831
 R833 832
 R834 833
 R835 834
 R836 835
 R837 836
 R838 837
 R839 838
 R840 839
 R841 840
 R842 841
 R843 842
 R844 843
 R845 844
 R846 845
 R847 846
 R848 847
 R849 848
 R850 849
 R851 850
 R852 851
 R853 852
 R854 853
 R855 854
 R856 855
 R857 856
 R858 857
 R859 858
 R860 859
 R861 860
 R862 861
 R863 862
 R864 863
 R865 864
 R866 865
 R867 866
 R868 867
 R869 868
 R870 869
 R871 870
 R872 871
 R873 872
 R874 873
 R875 874
 R876 875
 R877 876
 R878 877
 R879 878
 R880 879
 R881 880
 R882 881
 R883 882
 R884 883
 R885 884
 R886 885
 R887 886
 R888 887
 R889 888
 R890 889
 R891 890
 R892 891
 R893 892
 R894 893
 R895 894
 R896 895
 R897 896
 R898 897
 R899 898
 R900 899
 R901 900
 R902 901
 R903 902
 R904 903
 R905 904
 R906 905
 R907 906
 R908 907
 R909 908
 R910 909
 R911 910
 R912 911
 R913 912
 R914 913
 R915 914
 R916 915
 R917 916
 R918 917
 R919 918
 R920 919
 R921 920
 R922 921
 R923 922
 R924 923
 R925 924
 R926 925
 R927 926
 R928 927
 R929 928
 R930 929
 R931 930
 R932 931
 R933 932
 R934 933
 R935 934
 R936 935
 R937 936
 R938 937
 R939 938
 R940 939
 R941 940
 R942 941
 R943 942
 R944 943
 R945 944
 R946 945
 R947 946
 R948 947
 R949 948
 R950 949
 R951 950
 R952 951
 R953 952
 R954 953
 R955 954
 R956 955
 R957 956
 R958 957
 R959 958
 R960 959
 R961 960
 R962 961
 R963 962
 R964 963
 R965 964
 R966 965
 R967 966
 R968 967
 R969 968
 R970 969
 R971 970
 R972 971
 R973 972
 R974 973
 R975 974
 R976 975
 R977 976
 R978 977
 R979 978
 R980 979
 R981 980
 R982 981
 R983 982
 R984 983
 R985 984
 R986 985
 R987 986
 R988 987
 R989 988
 R990 989
 R991 990
 R992 991
 R993 992
 R994 993
 R995 994
 R996 995
 R997 996
 R998 997
 R999 998
 R1000 999
 R1001 1000
 R1002 1001
 R1003 1002
 R1004 1003
 R1005 1004
 R1006 1005
 R1007 1006
 R1008 1007
 R1009 1008
 R1010 1009
 R1011 1010
 R1012 1011
 R1013 1012
 R1014 1013
 R1015 1014
 R1016 1015
 R1017 1016
 R1018 1017
 R1019 1018
 R1020 1019
 R1021 1020
 R1022 1021
 R1023 1022
 R1024 1023
 R1025 1024
 R1026 1025
 R1027 1026
 R1028 1027
 R1029 1028
 R1030



Schematic Diagram

REPLACEMENT PARTS LIST

REF. NO.	PART NUMBER	DESCRIPTION	REF. NO.	PART NUMBER	DESCRIPTION
ELECTRICAL PARTS			COILS & CHOKES		
	1Y25017A01	MONITOR PANEL: complete; KT364LM	L-1	24D68822A08	HORIZ SET
	1Y25017A02	POWER, Audio Panel: complete; KT365LM	L-2	24D68801A67	COMPENSATING: 2000 oh
CAPACITORS			L-3	24D69163A18	HORIZ LINEARITY
C-1	23C65282A41	50 mf 50V Lytic	L-4	24V25000A74	HORIZ WIDTH: incl's C42 & R68
C-2	23C65282A41	50 mf 50V Lytic	L-5	24D68523A15	DEFLECTION YOKE
C-3	21S180D10	220 pf 20% 100V X5F (Use 21R132503)	TRANSISTORS		
C-4	23C65282A41	50 mf 50V Lytic	Q-1	48S137171	1st VIDEO: A6H
C-5	21S180B98	180 pf 10% 500V X5F	Q-2	48S137127	2nd VIDEO: P2S
C-6	23S10255A78	470 mf 16V Lytic	Q-3	48S134919	VIDEO OUTPUT: A1M
C-7	21S180C01	680 pf 10% 500V X5F	Q-4	48S137317	VIDEO DRIVER: A8H
C-8	21S180B85	560 pf 10% 500V X5F	Q-5	48S137115	SYNC SEPARATOR: A5U
C-10	8S10191B67	.22 mf 10% 250V Polyester	Q-6	48S137172	HORIZ OSCILLATOR: A6J
C-11	8S10191A54	.0068 mf 10% 160V Polyester	Q-7	48S137127	HORIZ PULSE SHAPER: P2S
C-12	21S180D10	220 pf 20% 100V X5F (Use 21R132503)	Q-8	48S137093	HORIZ DRIVER: A5F
C-13	21S131625	330 pf 10% X5F	Q-9	48S137570	HORIZ OUTPUT: B2L
C-15	21S180C41	.0027 mf 10% 500V Z5F (Use 21K121699)	Q-10	48S137173	VERT OSCILLATOR (1): P2W
C-16	23S10229A07	1.0 mf +40-20% 15V Lytic (Use 23C43280A17)	Q-11	48S137171	VERT OSCILLATOR (2): A6H
C-17	8S10191B90	.033 mf 10% 160V Polyester	Q-12	48S137115	VERT DRIVER: A5U
C-18	8S10299A73	.01 mf 10% 100V Poly carb	Q-13	48S134900	VERT OUTPUT: A1C
C-19	8S10299A74	.0082 mf 10% 160V Poly carb	Q-14	48S134952	REGULATOR DRIVER: A2J
C-20	8S10191B98	.01 mf 10% 250V Polyester	Q-15	48S137574	REFERENCE AMP: B2N
C-21	21S180B51	.001 mf 10% 500V X5F	Q-16	48S137368	REGULATOR: A8W
C-22	8S10191B98	.01 mf 10% 160V Polyester	Q-17	48S137172	AUDIO DRIVER: A6J
C-23	21S180C02	10 pf 10% N150	Q-18	48S137168	AUDIO OUTPUT: P2V
C-24	23D65282A40	150 mf 10V Lytic	Q-19	48S137169	5V REGULATOR, Driver: A6G
C-25	21S180B51	.001 mf 10% 500V X5F	Q-20	48S137344	5V REGULATOR: A8U
C-26	8S10212B53	.47 mf 10% 630V Mtlz Poly	Q-21	48S137476	SPOT KILLER: B1E
C-27	8S10212A11	1.0 mf 10% 630V Mtlz Poly	CONTROLS		
C-28	8S10571A06	.01 mf 5% 1200V Poly Prop Foil	R-5	18D68222A34	CONTRAST: 250 Ohm
C-29	8S10571A23	.56 mf 10% 250V Prop Foil	R-10	18D66401A44	VIDEO BIAS: 4K
C-30	8S10191A32	.047 mf 10% 250V Polyester	R-17	18D67858A12	FOCUS: 2 meg
C-31	21S180B87	220 pf 10% 500V X5F	R-21	18D68222A35	BRIGHTNESS: 200K
C-32	21S180D34	.005 mf 20% 1KV Z5F (Use 21S180D31)	R-34	18D68222A37	HORIZ HOLD: 25K
C-33	8S10212A69	.47 mf 10% 100V Mtlz Poly	R-59	18D66401A44	VERT LINEARITY: 4K
C-34	8S10191A32	.047 10% 250V Polyester	R-65	18D67671A18	VERT SIZE: 15 Ohm
C-35	8S10191B98	.01 mf 10% 250V Polyester	R-74	17D65820A37	REGULATOR ADJUST: 2K
C-36	23S10255A69	4.7 mf 100V Lytic	R-82	18D68222A36	VERT HOLD: 3K
C-37	8S10212A20	2.2 mf 10% 100V Mtlz Poly	R-85	18D68222A34	VOLUME: 250 Ohm
C-38	8S10212A20	2.2 mf 10% 100V Mtlz Poly	RESISTORS		
C-39	8S10191B67	.22 mf 10% 250V Polyester	R-1	6S127633	470 10% 1/2W
C-40	8S10212A10	1.0 mf 10% 100V Mtlz Poly (Use 8S10191A46)	R-2	6S125568	22K 10% 1/2W
C-41	8S10064A06	.01 mf 10% 600V Mylar	R-3	6S127541	56K 10% 1/2W
C-42	21S180A71	470 pf 10% 500V X5F	R-4	6S127633	470 10% 1/2W
C-43	23C65807A47	400 mf/125V; 600 mf/50V; 20 mf/200V Lytic	R-6	6S128955	1500 10% 1W
C-44	21S180E60	.01 mf +80-20% 50V Z5V	R-7	6S121847	4700 10% 1/2W
C-47	*23C65807A52	5000 mf 20V Lytic	R-8	6S122445	1800 10% 1/2W
C-50	23D65282A41	50 mf 50V Lytic	R-9	6S119926	2700 10% 1/2W
C-51	23S10255B43	40 mf 100V Lytic	R-11	6S128226	120 10% 1/2W
DIODES & RECTIFIERS			R-12	6S127633	470 10% 1/2W
D-1	48S134921	DIODE, Silicon: D1D; Damper	R-13	17S10731A02	7500 5% 5W WW
D-2	48S134978	DIODE, Silicon: D1K; Pulse Limiter	R-14	6S124797	150 10% 1/2W
D-3	48D67120A11	DIODE, Low Power	R-15	6S127516	82 10% 1/2W
D-4	48S137114	RECTIFIER, H. V.: Silicon; D2Y	R-18	-----	Part of CRT socket assembly
D-5	48S191A05	RECTIFIER, Silicon: 91A05 (Use 48S191A07)	R-19	-----	Part of CRT socket assembly
D-6	48S137469	DIODE, Silicon: zener; D7G	R-20	-----	Part of CRT socket assembly
D-7	48S134917	DIODE, Dual: D1C; Detector	R-22	6S129296	270K 10% 1/2W
D-8	48S67120A11	DIODE, Low Power	R-23	6S10053C67	27K 5% 1/2W
D-9	*48S191A07	RECTIFIER, Silicon: 91A07	R-24	6S127538	3.3 meg 10% 1/2W
D-10	48S191A07	RECTIFIER, Silicon: 91A07	R-25	6S121300	27K 10% 1/2W
D-11	48S191A07	RECTIFIER, Silicon: 91A07	R-26	6S127541	56K 10% 1/2W
D-12	48S191A07	RECTIFIER, Silicon: 91A07	R-27	6S129875	2200 10% 1/2W
D-13	48D67120A11	DIODE, Low Power	R-28	6S125531	180K 10% 1/2W
D-15	48S191A10	RECTIFIER, Silicon: 91A10	R-29	6S125531	180K 10% 1/2W
D-16	48S191A10	RECTIFIER, Silicon: 91A10	R-30	6S125892	47K 10% 1/2W
D-17	48S191A10	RECTIFIER, Silicon: 91A10	R-31	6S125534	100K 10% 1/2W
D-18	48S191A10	RECTIFIER, Silicon: 91A10	R-32	6S124506	3300 10% 1/2W
D-19	48D67120A11	DIODE, Low Power	R-33	6S10053C53	6800 5% 1/2W
D-20	*48S10641D43	DIODE, Silicon, D4,3	R-35	6S127541	56K 10% 1/2W
D-21	48D67120A11	DIODE, Low Power	R-36	6S125545	390 10% 1/2W
D-23	48S191A05	RECTIFIER, Silicon: (Use 48S191A07)	R-37	6S121301	1000 10% 1/2W
FUSES			R-38	6S10053C33	1000 5% 1/2W
F-1	65S139424	FUSE: 1A-250V	R-39	6S127516	82 10% 1/2W
F-2	65S139424	FUSE: 1A-250V	R-40	6S127547	1000 10% 1W
INTEGRATED CIRCUITS			R-41	6S127099	220 10% 1/2W
IC-1	*51S10732A01	INTEGRATED CIRCUIT: T3F	R-42	6S127513	1500 10% 1/2W
			R-43	17S10130B07	1500 10% 3W fxd mtl film
			R-44	17S744356	2.2 10% 2W WW
			R-45	6S120141	150K 10% 1W
			R-46	6S127634	33K 10% 1W
			R-47	6S129417	1.5 MEG 10% 1/2W
			R-48	6S10053D21	4.7 meg 10% 1/2W
			R-49	6S124797	150 10% 1/2W
			R-50	6S10053C45	3300 5% 1/2W
			R-52	6S124506	3300 10% 1/2W
			R-53	6S129874	68 10% 1/2W
			R-54	6S131972	39 10% 1/2W
			R-55	6S10053C65	22K 5% 1/2W
			R-56	6S125535	39K 10% 1/2W
			R-57	6S124506	3300 10% 1/2W
			R-58	6S129793	82K 5% 1/2W
			R-60	6S129875	2200 10% 1/2W
			R-61	6S10053F29	820 10% 1W
			R-62	6S127515	3900 10% 1/2W

