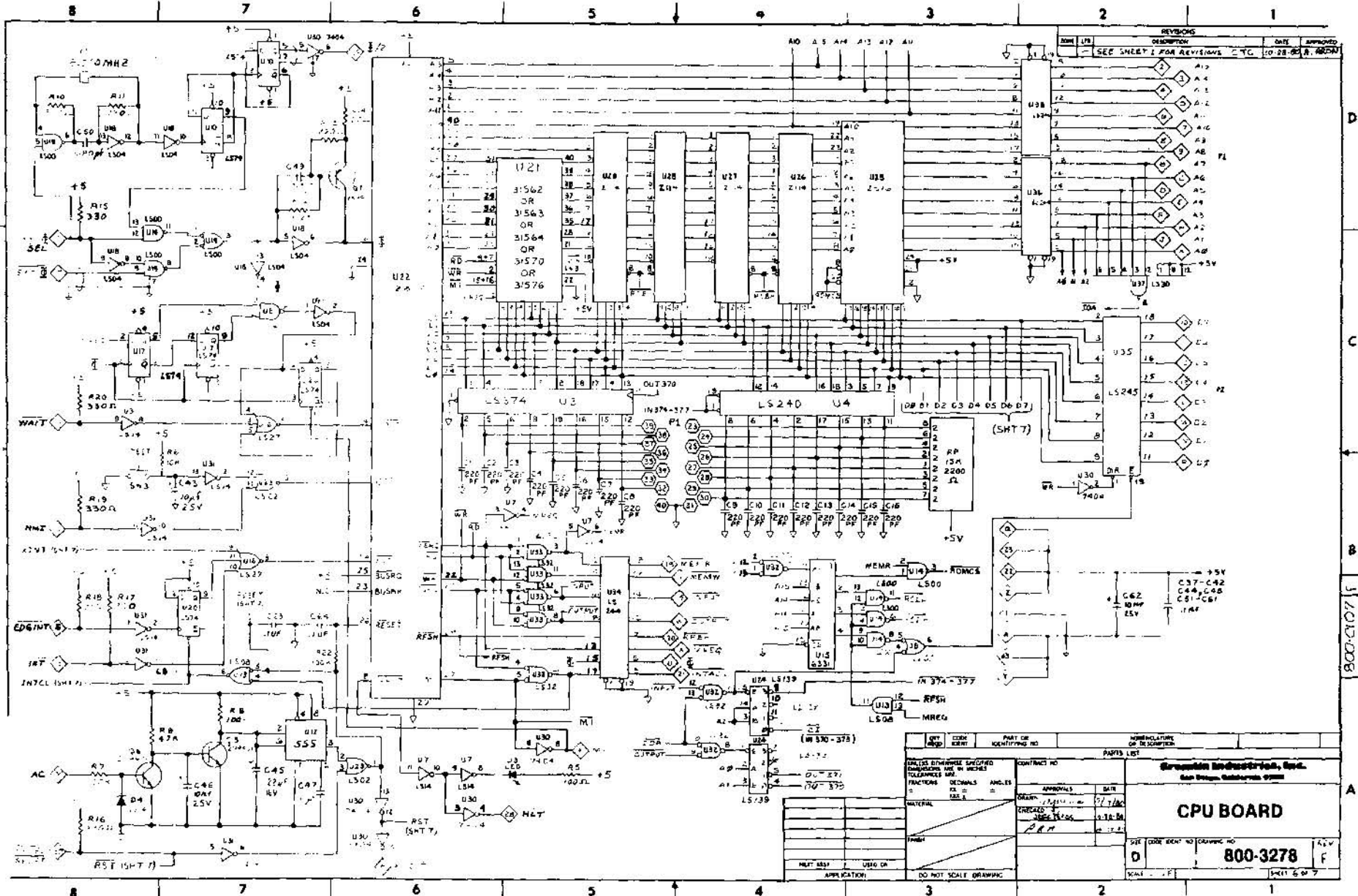


REVISIONS					
ZONE	LTN	DESCRIPTION	SD	DATE	APPROVED
		SEE SH # 1			

QTY PLUG		CODE IDENT	PART NO IDENTIFYING NO	NON-CATALOG OR DESCRIPTION	ITEM NO
UNLESS OTHERWISE SPECIFIED DIMENSIONS ARE IN INCHES TOLERANCES ARE		CONTRACT NO		PARTS LIST	
FRACTIONS AS SHOWN AS 3/4	DECIMALS AS SHOWN AS .375	APPROVED	DATE		
CHECKED	DRAWN	BY	DATE		
MAKER	SCALE	BY	DATE		
FINISH	DATE	BY	DATE		
HEAT ASST	USED ON	DATE	BY		
APPLICATION	SCALE	DATE	BY		
DRAWN BY: [Signature]				710 PC	
CHECKED BY: [Signature]				EYE	
SCALE: 1/8" = 1"				D	
TYPED BY: [Signature]				700-0103	
DATE: [Blank]				REV: Δ	
SCALE: NONE				SCALE: NONE	

**CABINET
WIRING DIAGRAM**

*Don't
keep it
to
work*



REV	DATE	APPROVED
1	10-28-65	R. ARDEN

REV	DESCRIPTION	DATE	APPROVED
1	SEE SHEET 1 FOR REVISIONS ETC.	10-28-65	R. ARDEN

REV	DESCRIPTION	DATE	APPROVED
1	SEE SHEET 1 FOR REVISIONS ETC.	10-28-65	R. ARDEN

REV	DESCRIPTION	DATE	APPROVED
1	SEE SHEET 1 FOR REVISIONS ETC.	10-28-65	R. ARDEN

REV	DESCRIPTION	DATE	APPROVED
1	SEE SHEET 1 FOR REVISIONS ETC.	10-28-65	R. ARDEN

REV	DESCRIPTION	DATE	APPROVED
1	SEE SHEET 1 FOR REVISIONS ETC.	10-28-65	R. ARDEN

REV	DESCRIPTION	DATE	APPROVED
1	SEE SHEET 1 FOR REVISIONS ETC.	10-28-65	R. ARDEN

REV	DESCRIPTION	DATE	APPROVED
1	SEE SHEET 1 FOR REVISIONS ETC.	10-28-65	R. ARDEN

800-3278

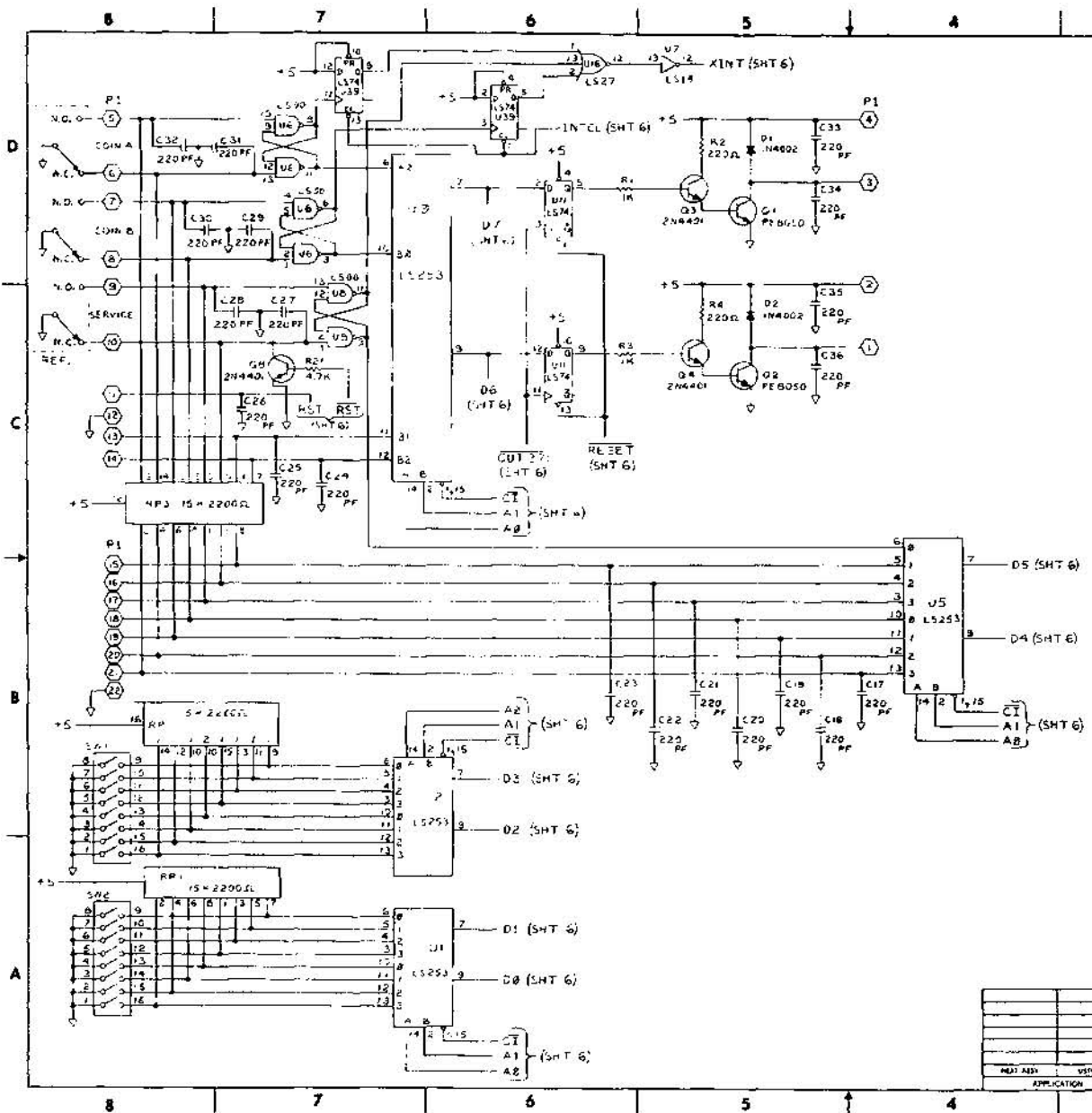
800-3278

CPU BOARD

800-3278

800-3278

800-3278



REVISIONS				
REV	DATE	DESCRIPTION	BY	APPROVED
A	10-28-80	RELEASED	CTC	R. ARROW
B	11-13-80	ECN # 528	CTC	JUSTICE
C	11-21-80	ECN # 669	CTC	CTC
D	2-24-81	ECN # 677A	CTC	CTC
E	4-1-81	PER ECN # 978	MGA	THOMAS

QTY	CODE	PART OF	NOMENCLATURE
REQD	MARK	IDENTIFYING NO.	OR DESCRIPTION
UNLESS OTHERWISE SPECIFIED DIMENSIONS ARE IN INCHES TOLERANCES ARE:			
FRACTIONS	DECIMALS	ANGLES	
±	±	±	
MATERIAL			
FINISH			
PART ASSY			
USED ON			
APPLICATION			
DO NOT SCALE DRAWING			

CONTRACT NO.	PARTS LIST
	Growing Industries, Inc. San Diego, California 92161
	CPU BOARD
DWG NO. 800-3278-10-23-80	REV. 10-23-80
SCALE: AS SHOWN	SCALE: AS SHOWN
DWG NO. 800-3278-10-23-80	REV. 10-23-80
DWG NO. 800-3278-10-23-80	REV. 10-23-80
DWG NO. 800-3278-10-23-80	REV. 10-23-80

800-0107

A

F

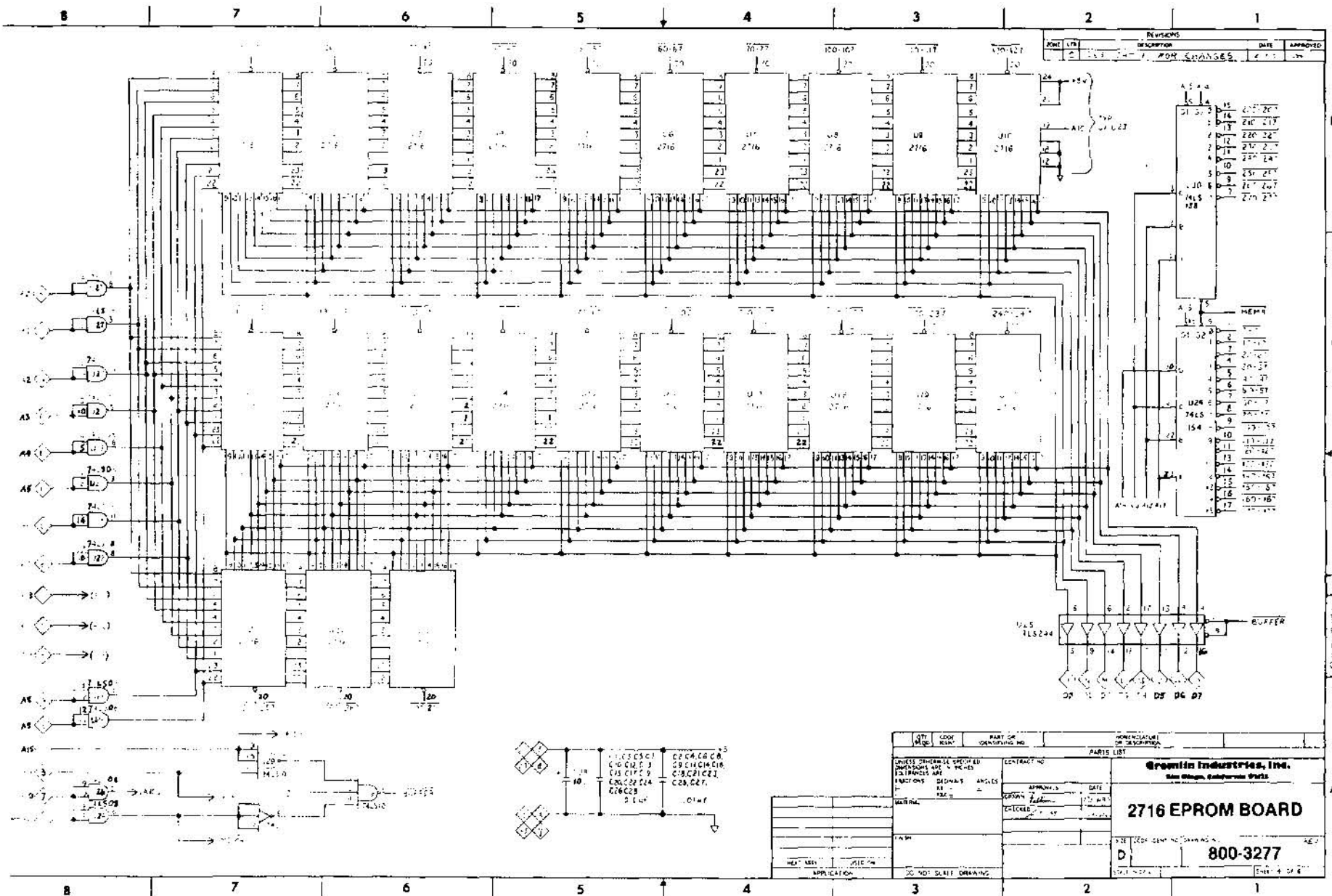
B

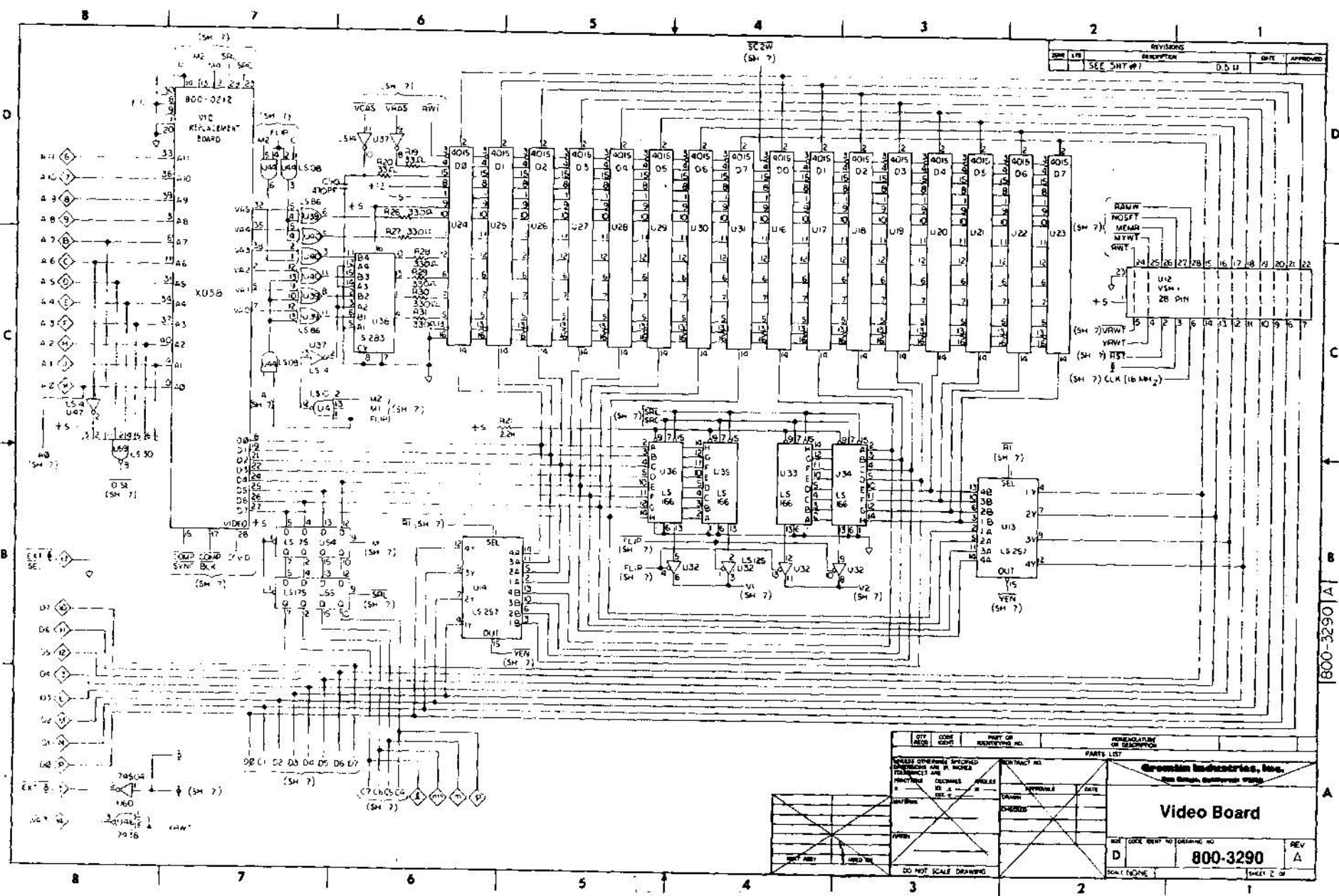
C

D

E

F



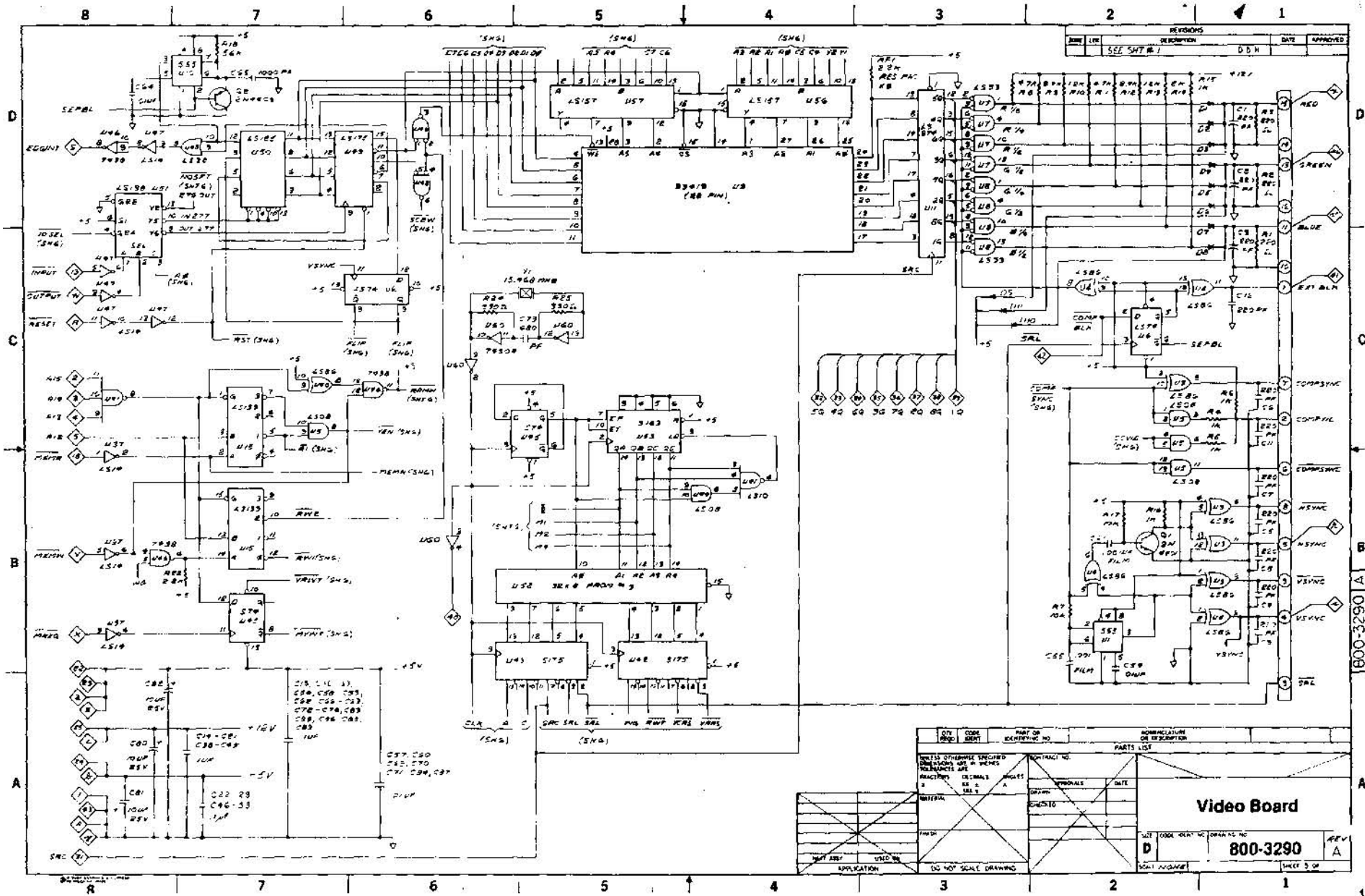


REV	DATE	DESCRIPTION	BY	APPROVED
1		SEE 5HT #7	D.B.H.	

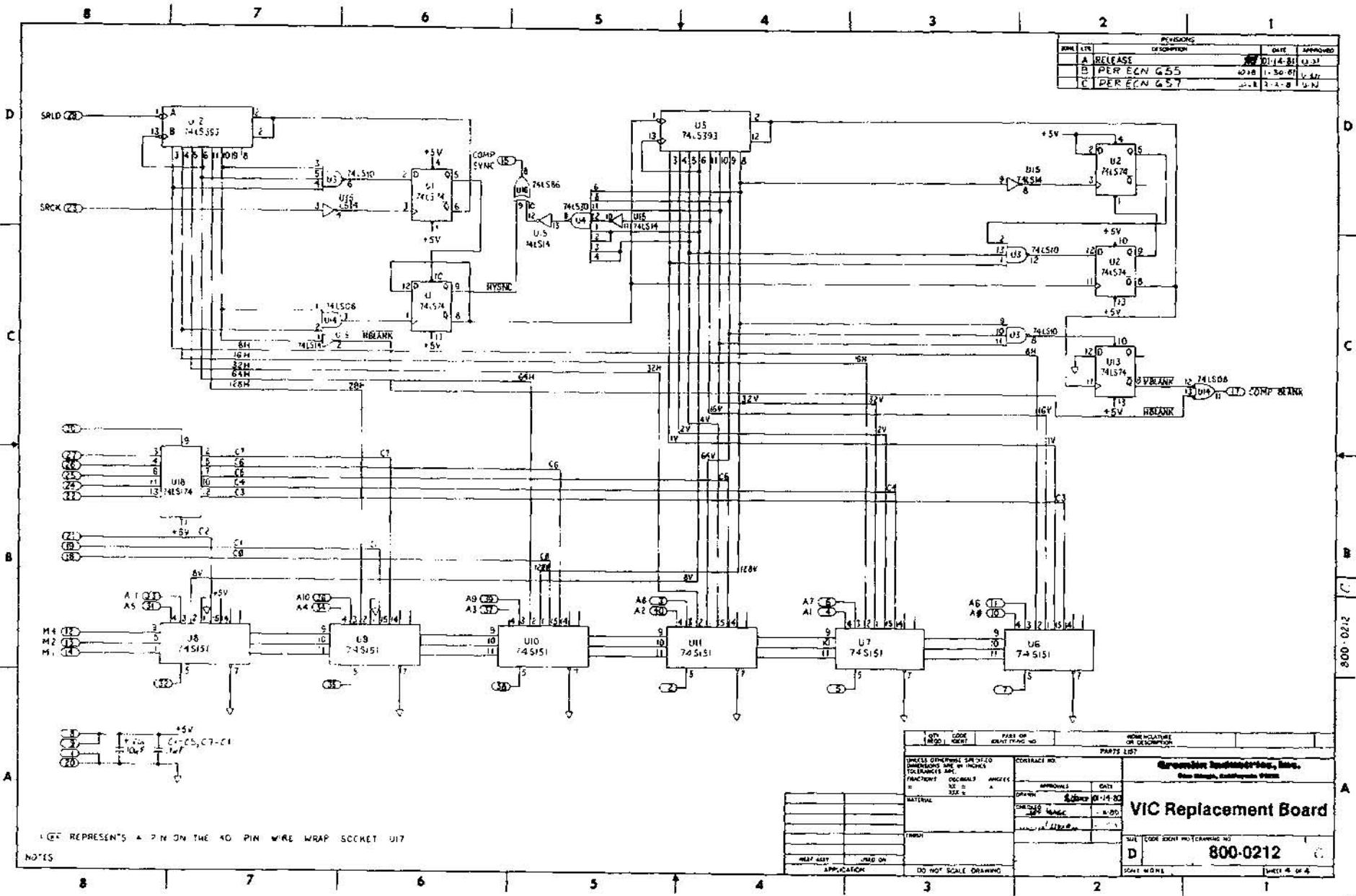
QTY	CODE	PART OR IDENTIFICATION NO.	DESCRIPTION
			CONTRACT NO.
			ISSUE NO.
			DATE
			SCALE
			DO NOT SCALE DRAWING

PARTS LIST		Green Industries, Inc.	
		1000 Greenway Drive, Green Bay, Wisconsin 54903	
REV	CODE	REV	CODE
D		A	
800-3290		800-3290	
SHEET 2 OF 2		SHEET 2 OF 2	

800-3290 A



100-3290 A

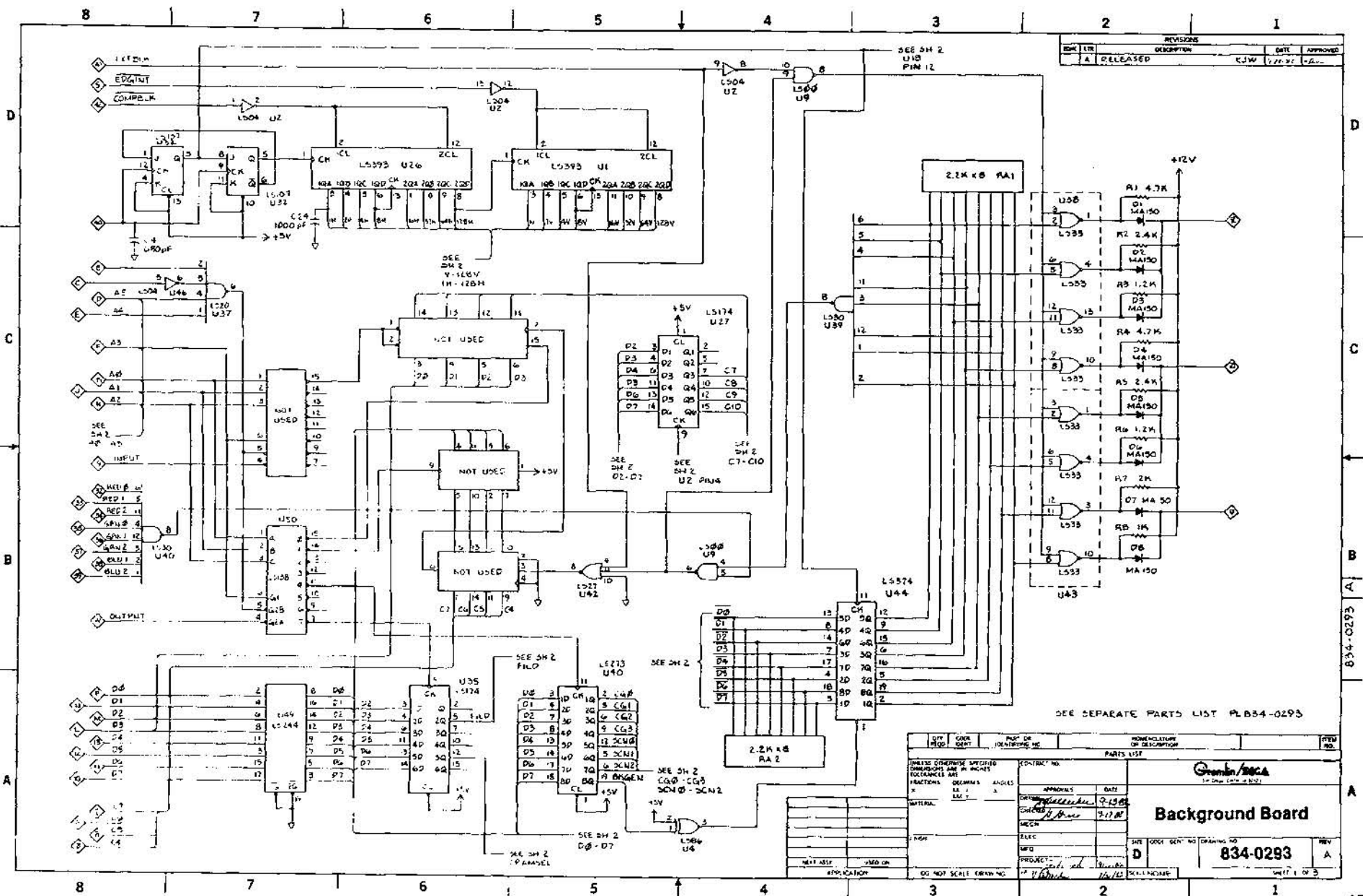


REV	DATE	BY	APPROVED
A	RELEASE	2014-31	UJ/JT
B	PER ECN 655	10-18-11	50-07 UJ/JT
C	PER ECN 657	11-13-11	UJ/JT

1 (C) REPRESENTS A PIN ON THE 40 PIN WIRE WRAP SOCKET U17

NOTES

QTY	CODE	PART OR IDENT	NO.	SIGNATURE OR DESCRIPTION
PARTS LIST				Greenlee Electronics, Inc. One through, Eastman Drive
UNLESS OTHERWISE SPECIFIED DIMENSIONS ARE IN INCHES TOLERANCES ARE: FRACTIONS DECIMALS ANGLES = 1/32" ± .005" ± .015" ± .015"				
MATERIAL		DATE	APPROVALS	
FINISH		DATE	DATE	
HELP LIST		DATE	DATE	
APPLICATION		DATE	DATE	
DO NOT SCALE DRAWING		TITLE CODE IDENT NO. DRAWING NO. D 800-0212		
SCALE WORK		SHEET # OF # 1		



REV	DATE	DESCRIPTION	BY	APPROVED
A	RELEASED		EJW	

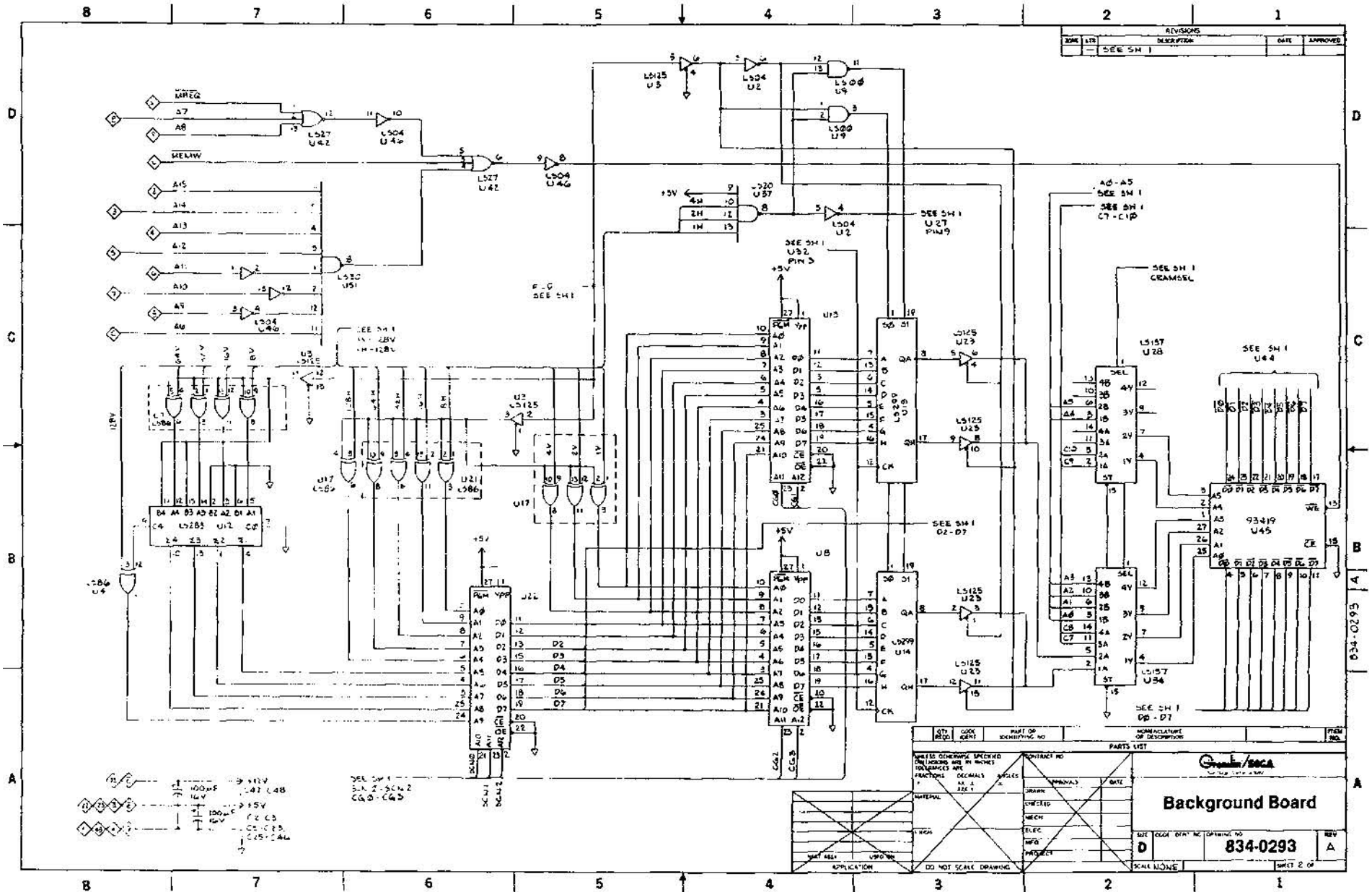
SEE SEPARATE PARTS LIST PLB34-0293

QTY	REQD	COOL	IDENT	PART NO	NONCATALOGUE	OR DESCRIPTION	ITEM

APPROVALS	DATE
DESIGNED BY: <i>[Signature]</i>	9-13-68
CHECKED BY: <i>[Signature]</i>	9-17-68

Green/BOCA <small>14 New York Ave. N.Y.C.</small>	
<h1>Background Board</h1>	
DWT DATE PROJ PRODUCED BY: <i>[Signature]</i>	DRAWING NO 834-0293
REV A	SHEET 1 OF 3

834-0293



REV	DATE	DESCRIPTION	APPROVED
001		SEE SH 1	

QTY	CODE	PART OF IDENTIFYING NO	MANUFACTURE OF DESCRIPTION	ITEM NO.

NEEDED OVERHAUL SPECIFIED	CONTRACT NO.

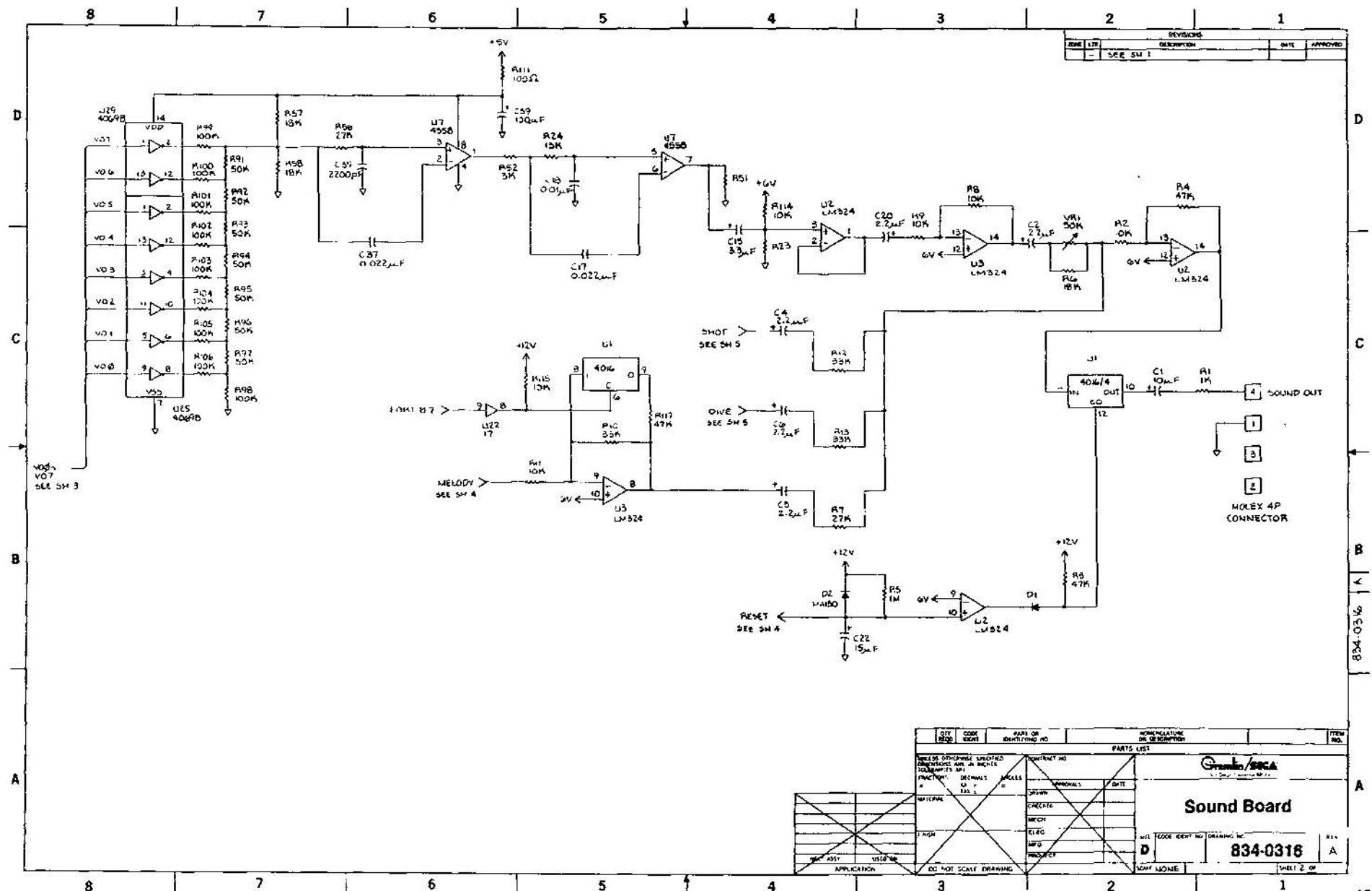
DATE	APPROVALS	DATE

SHEET	NO.	TOTAL
D	834-0293	A

Background Board

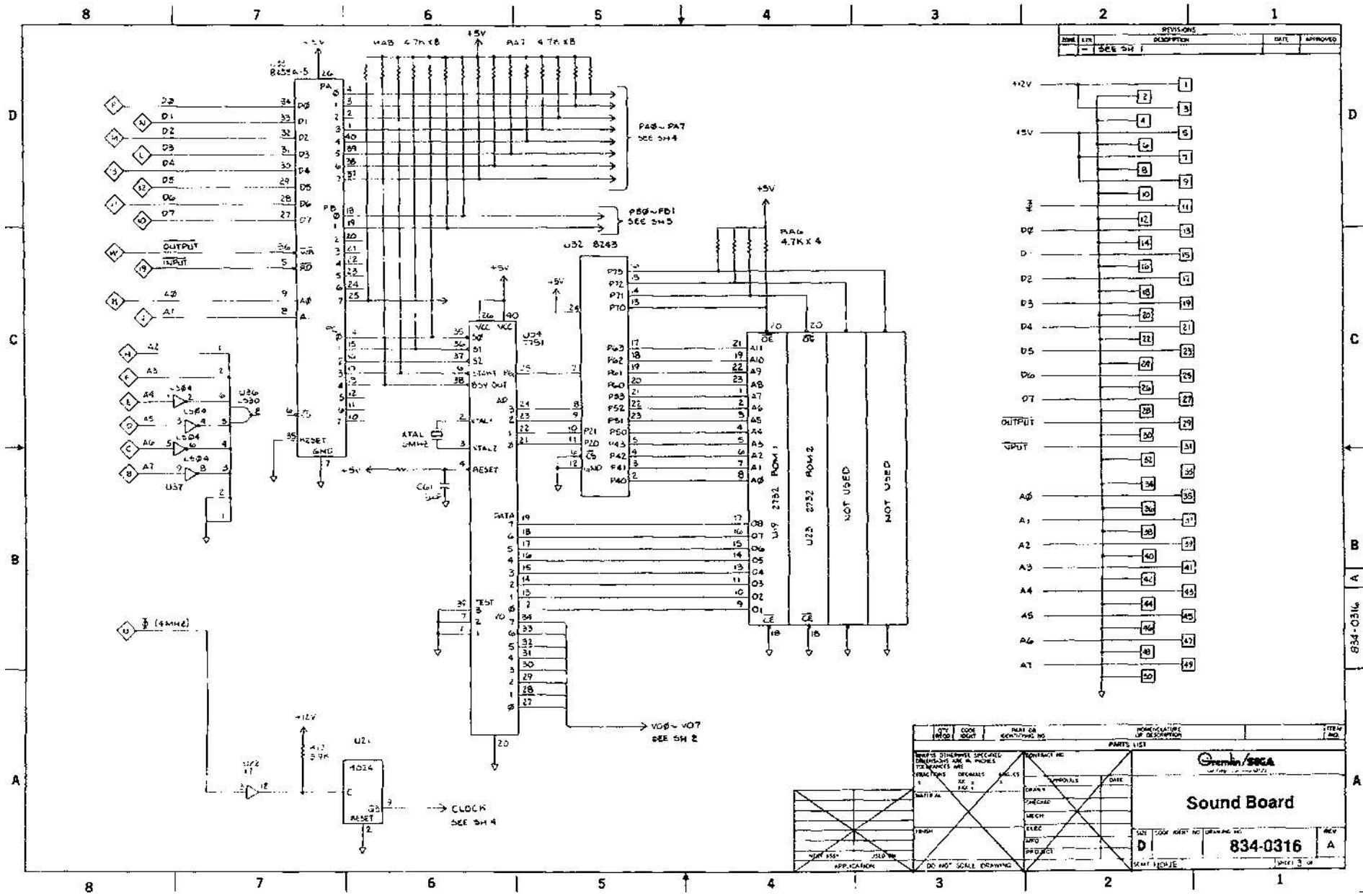
834-0293

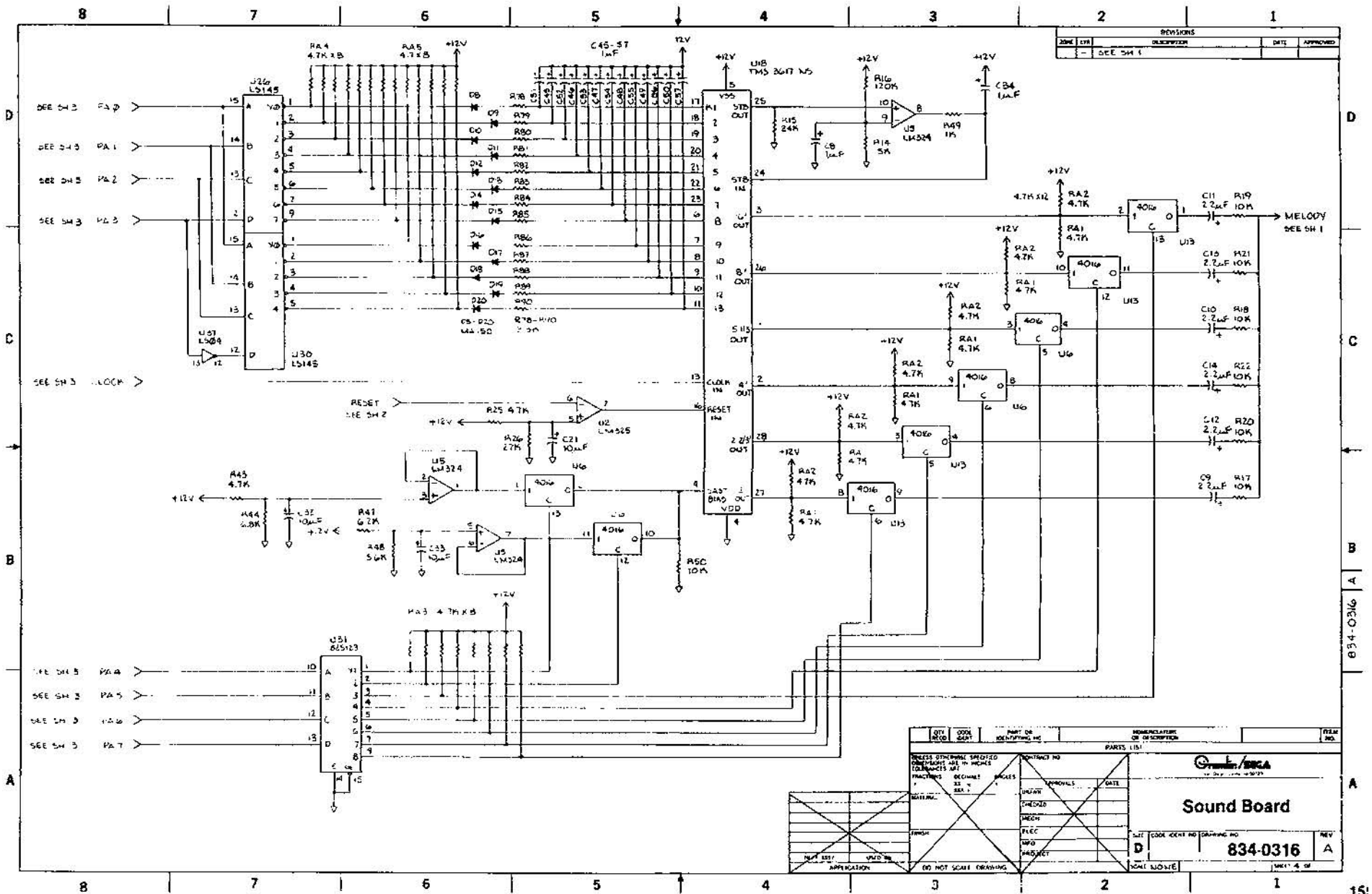
SHEET 2 OF 2



REV	DATE	APPROVED
1	SEE SH 1	

QTY	CODE	PART OR IDENTIFYING NO	NOMINATION OR DESCRIPTION	ITEM NO.
Sound Board				
834-0318		PARTS LIST		
D ELEC				
834-0318				
SHEET 2 OF				





8

7

6

5

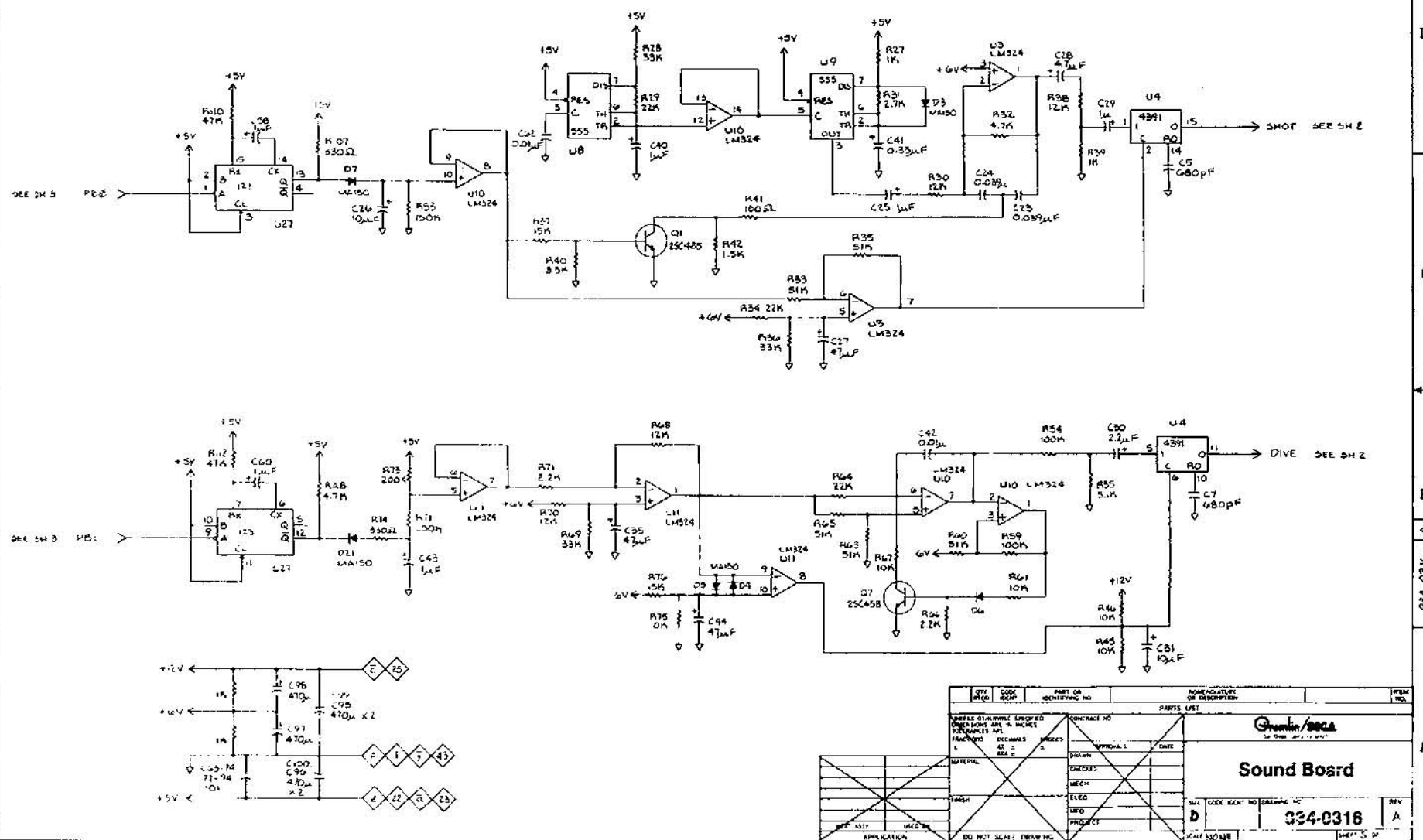
4

3

2

1

REVISIONS			
DATE	DESCRIPTION	DATE	APPROVED
-	SEE SH 1		



D

C

B

A

834-0316

A

8

7

6

5

4

3

2

1