

MONACO GP™

MANUFACTURED BY

Gremlin®/SEGA®

MANUAL PART NO. 420·0358

OWNER'S MANUAL

MONACO GP Game Description:

When the coins are deposited, the player's red car appears in the lower right corner of the screen. Drive the car using the steering wheel and accelerator pedal, avoiding collisions with the computer cars. Game time is set to a count of 90.

Player goes into extended play when he reaches a score of 2000 points. In extended play, the player wins an extra car; and, one extra car is awarded after every additional 2000 points. The game becomes more difficult after a score of 6000 points. The player's car speeds up and, at 8000 points, the computer cars speed up.

The game's front panel displays your score and the top 5 high scores. Also, each player is given a ranking out of the total numbers of players to date.

Adjustments and Options:

There are 2 game options, located on the #96577A main logic board:

1. VR1- trim pot- adjusts game time
2. SW1- slide switch- selects either 1 or 2 plays per coin.

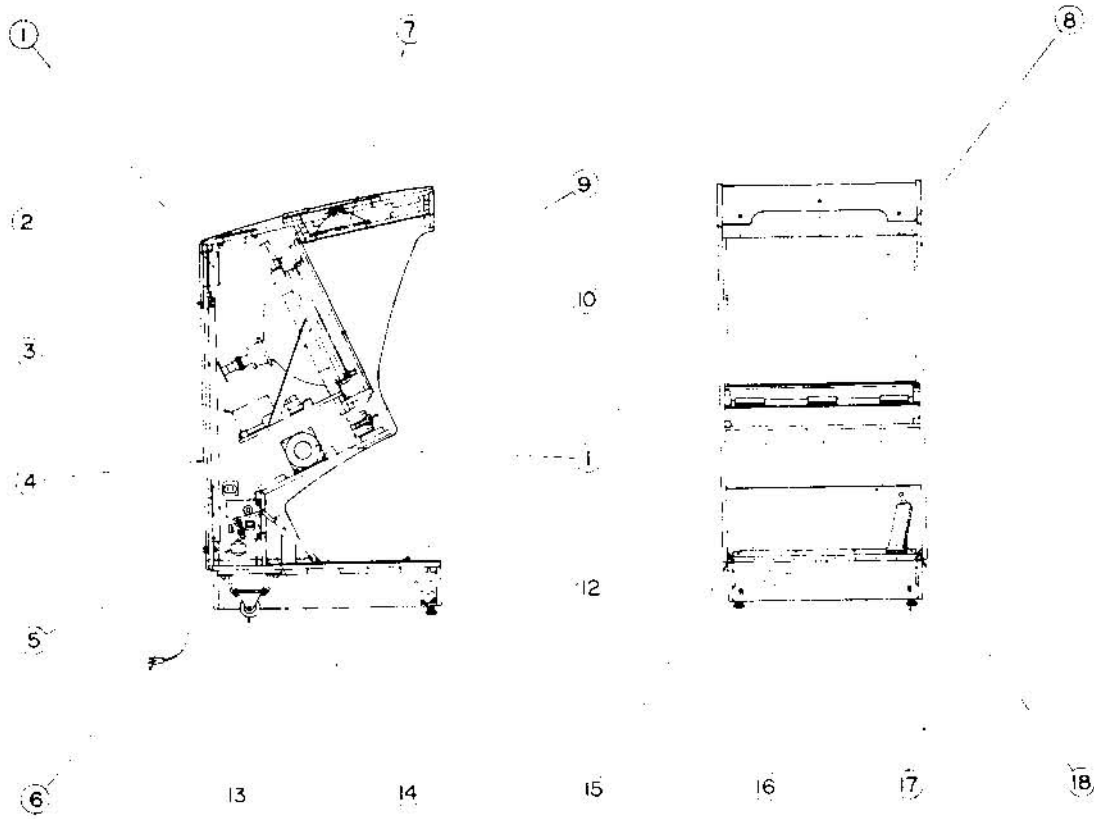
NOTE: On the sound board (#96598) there are 7 trim pots: These are for adjusting the FANFARE sound. They are pre-set by the factory. Also on this board are 2 switches, SW1 and SW2. SW1 should be set so that positions 1,2, and 3 are OFF. Position 4 should be ON. Switch SW2 should be set to positions 1 and 2 OFF.

Descriptions and Part Numbers of MONACO GP logic boards:

<u>Logic board</u>	<u>Part Number Stamped on Board</u>
Main logic, A	96577-P
Main logic, B	96578-P
Sound (Oscillator)	96598-P
Display board	96597-P
Display board	M0-4202
Accelerator board	96599-P
Edge connector board	96620-P
Edge connector board	96624-P

FRONT CABINET ACCESSORY ASSY

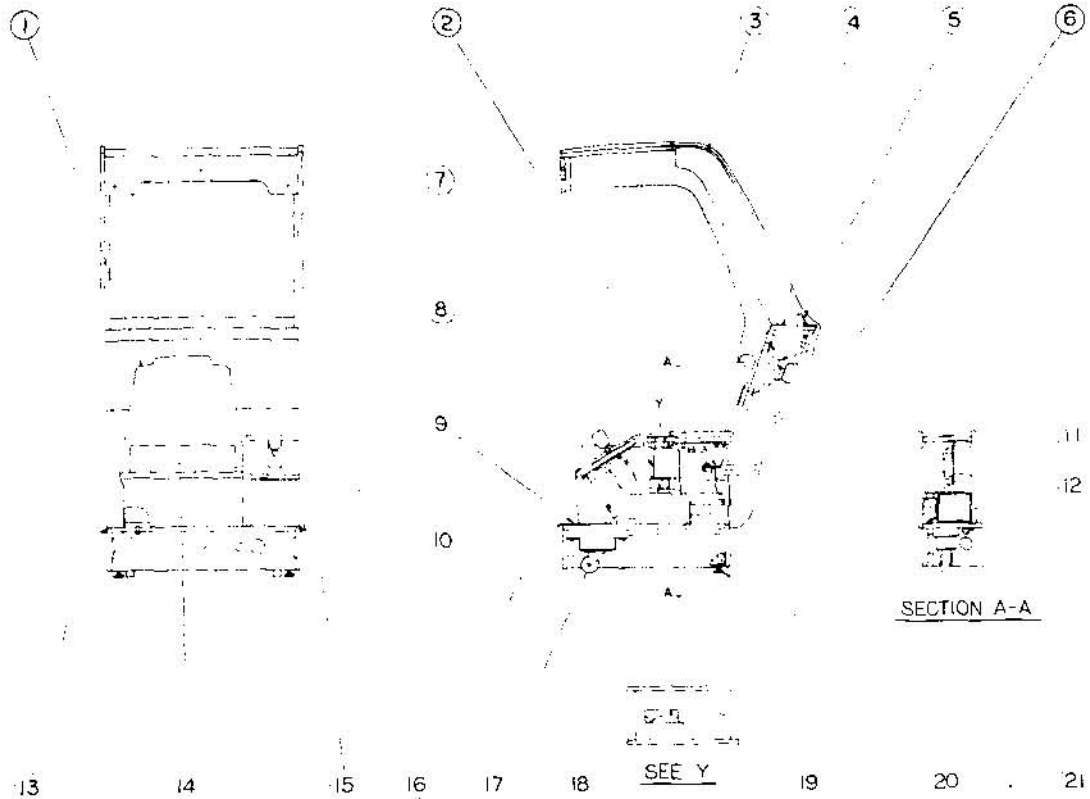
MONACO GP



Item	Part No.	Description
1	S-96626	Axial Flow Fan, AC 100V
2	LS-1064	Ace Cylinder Lock, L.S. Type
3	96595-P	Color Display Assy, 20 Type, 120V
4	96577-P	IC Board Assy, Monaco GP, A
	96578-P	IC Board Assy, Monaco GP, B
	96598-P	Oscillator, Monaco GP
	96624-P	Mother Board Assy, Monaco GP
5	S-96634	Noise Filter, AC 250V, 4A
6	90759X	Cable & Plug Assy
7	S-93425	Speaker, 20cm, 8Ω, 10W
8	MO-1005	Front Glass
9	MO-4200	Score Board Assy (See Page 21 for Detail)
10	S-83034	Toggle Hook, Hook
12	MO-1017	Floor Mat
13	S-81159	Caster
14	MO-1016	Accelerator Pedal Assy
	PC-1206	Photocoupler Unit, A
	PC-1207	Photocoupler Unit, B
	GP-1042	Extension Spring
	FL-3031	Extension Spring
15	MO-1020	Protector, Right
16	S-80807	Accelerator Pedal
17	M-163-4(L)	Leg Adjuster
18	MO-1021	Protector, Left

MONACO GP

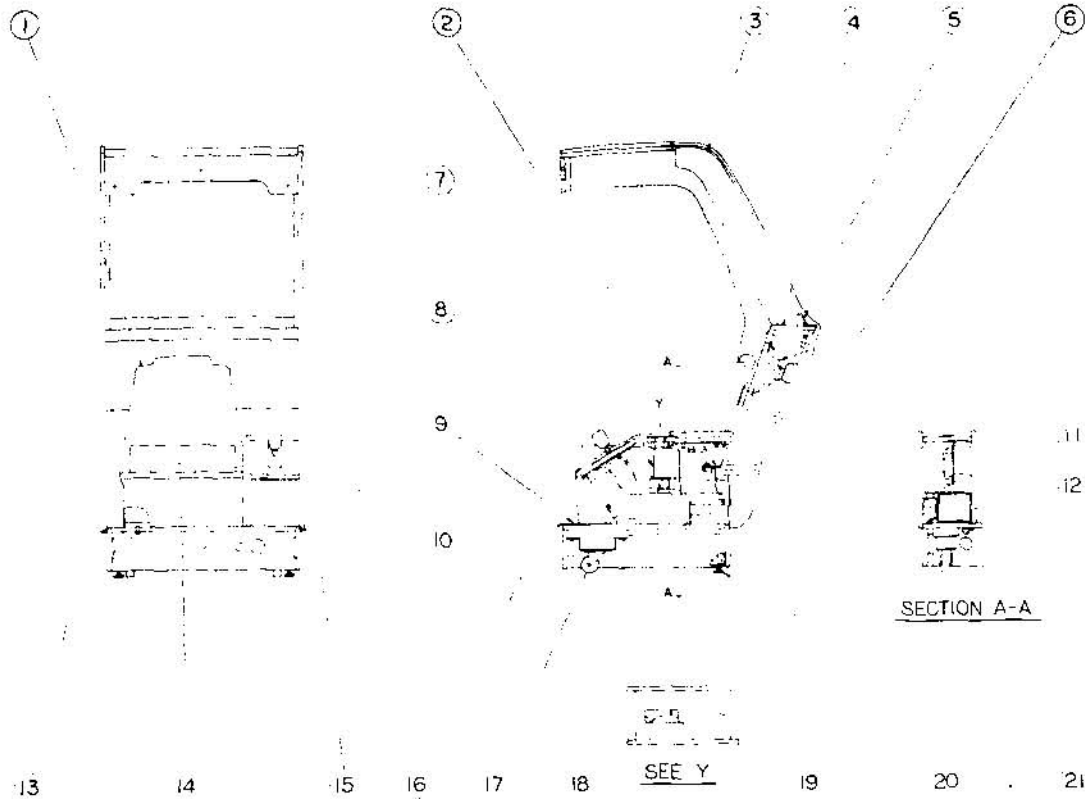
REAR CABINET ACCESSORY ASSY



Item	Part No.	Description
1	MO-1110	Chair
2	S-96397	Push Button Switch, 1M, w/o Button
	S-96400	Push Button, Ivory, 8ø
	S-95657	C & R Combination Element, 0.1μ & 120Ω
	S-93157	Volume Control, B-25KΩ
	S-93467	Switch, Micro Type, Push Button, Red
3	MO-1123	Hood
4	MO-1125	Ornament Frame, B
5	MO-1124	Ornament Frame, A
6	S-93425	Speaker, 20cm, 8Ω, 10W
7	CC-2100	Coin Chute, Rejector Type, ¥100
8	MO-1127	Transmission Assy
	MO-1128	Handle Retainer Assy
	2P-11600	Rubber Bumper
	FC-2541	Compression Spring
	S-91421	Switch, Micro Type
9	MO-1106	Floor Mat
10	MO-1129	Shift Knob Assy
11	AH-1062	Reject Cup & Flap Door Assy
12	S-91654	Rectifier, Silicon Diode
13	MO-1109	Protector, C
14	MO-1111	Saddle
15	MO-1108	Protector, B
16	MO-1107	Protector, A
17	S-82660	Caster, Nylon Wheel
18	PT-0212	Coin Entry Plate, ¥100
19	MO-1419	Coin Entry Plate
20	LS-1064	Ace Cylinder Lock, L.S. Type
21	M-163-4(L)	Leg Adjuster

MONACO GP

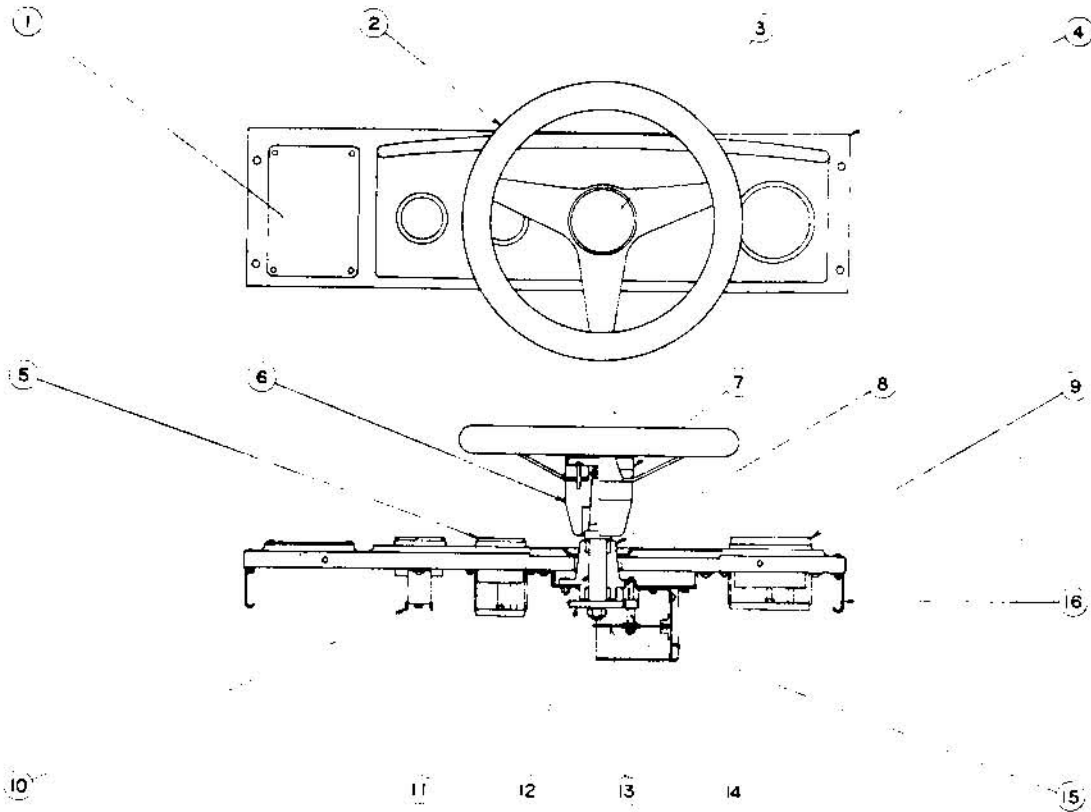
REAR CABINET ACCESSORY ASSY



Item	Part No.	Description
1	MO-1110	Chair
2	S-96397	Push Button Switch, 1M, w/o Button
	S-96400	Push Button, Ivory, 8ø
	S-95657	C & R Combination Element, 0.1μ & 120Ω
	S-93157	Volume Control, B-25KΩ
	S-93467	Switch, Micro Type, Push Button, Red
3	MO-1123	Hood
4	MO-1125	Ornament Frame, B
5	MO-1124	Ornament Frame, A
6	S-93425	Speaker, 20cm, 8Ω, 10W
7	CC-2100	Coin Chute, Rejector Type, ¥100
8	MO-1127	Transmission Assy
	MO-1128	Handle Retainer Assy
	2P-11600	Rubber Bumper
	FC-2541	Compression Spring
	S-91421	Switch, Micro Type
9	MO-1106	Floor Mat
10	MO-1129	Shift Knob Assy
11	AH-1062	Reject Cup & Flap Door Assy
12	S-91654	Rectifier, Silicon Diode
13	MO-1109	Protector, C
14	MO-1111	Saddle
15	MO-1108	Protector, B
16	MO-1107	Protector, A
17	S-82660	Caster, Nylon Wheel
18	PT-0212	Coin Entry Plate, ¥100
19	MO-1419	Coin Entry Plate
20	LS-1064	Ace Cylinder Lock, L.S. Type
21	M-163-4(L)	Leg Adjuster

FRONT PANEL & HANDLE UNIT

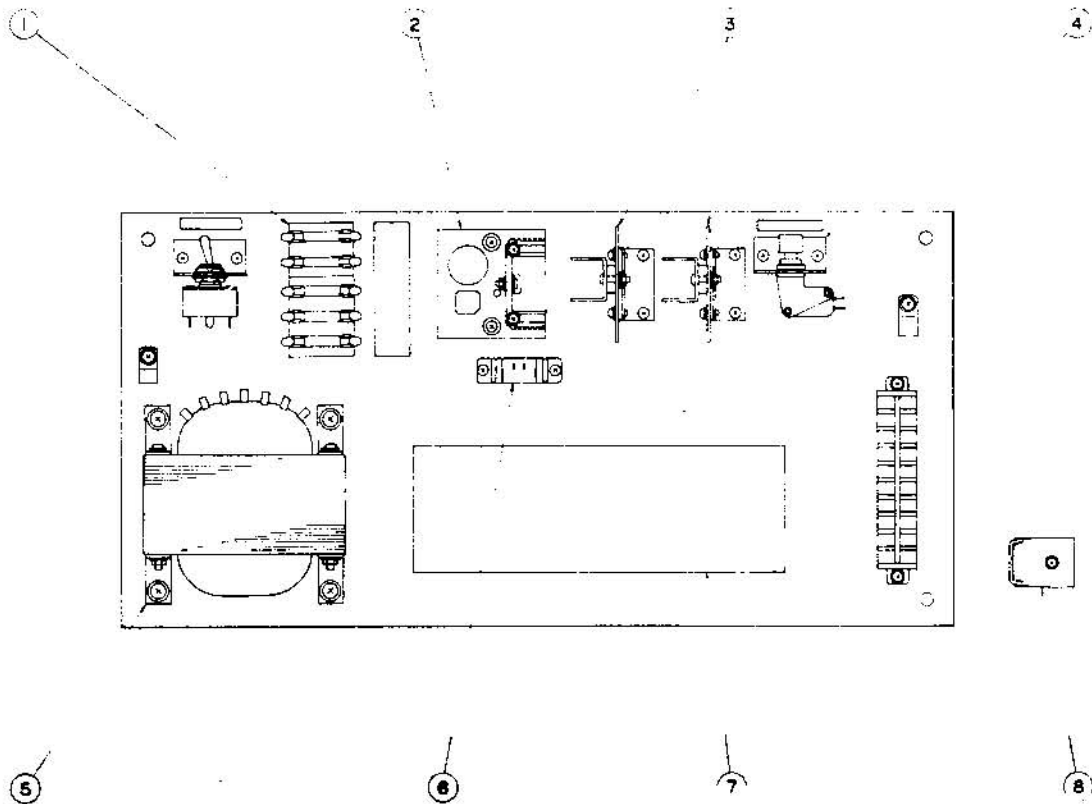
MONACO GP



Item	Part No.	Description
1	MO-2011	Play Instructions
2	S-81620X	Steering Handle
3	MO-2016	Steering Handle Ornament
4	MO-2001	Front Panel
5	S-96637	Oil Pressure Gauge
6	RR-2013	Steering Handle Boss, Lower
7	RR-2014	Steering Handle Boss, Upper
8	MO-2004	Housing
9	S-96635	Tachometer
10	S-96636	Driving Meter
11	MO-2005	Steering Wheel Shaft
12	MO-2009	Spur Gear, 60T
13	MO-2007	Disc
14	MO-2008	Spur Gear, 14T
15	96599-P	IC Board Assy, Monaco GP, C
16	MO-2015	Hook

MONACO GP

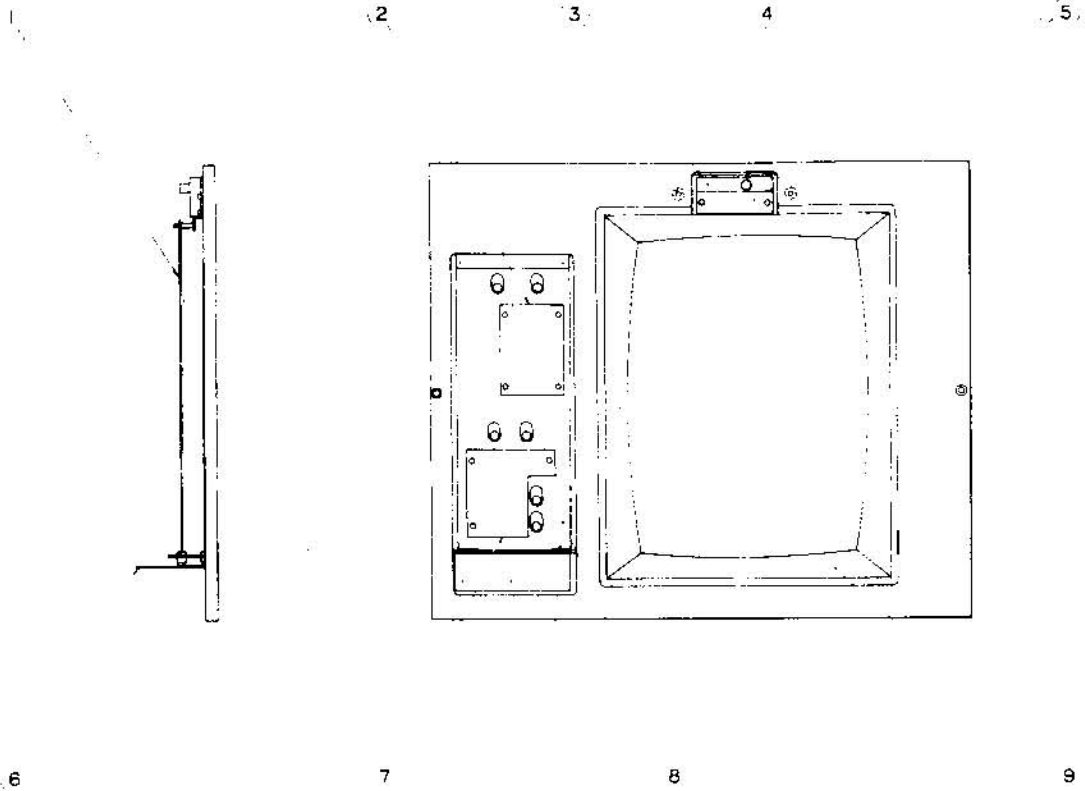
POWER SUPPLY ASSY



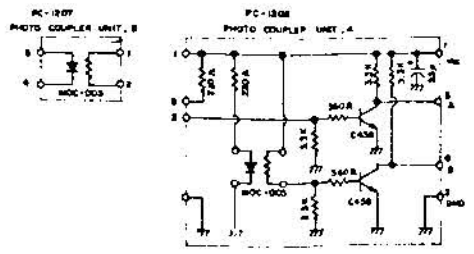
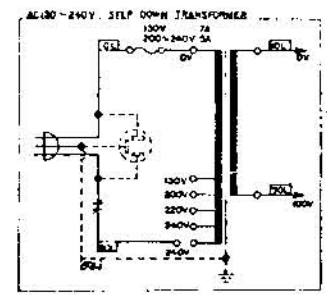
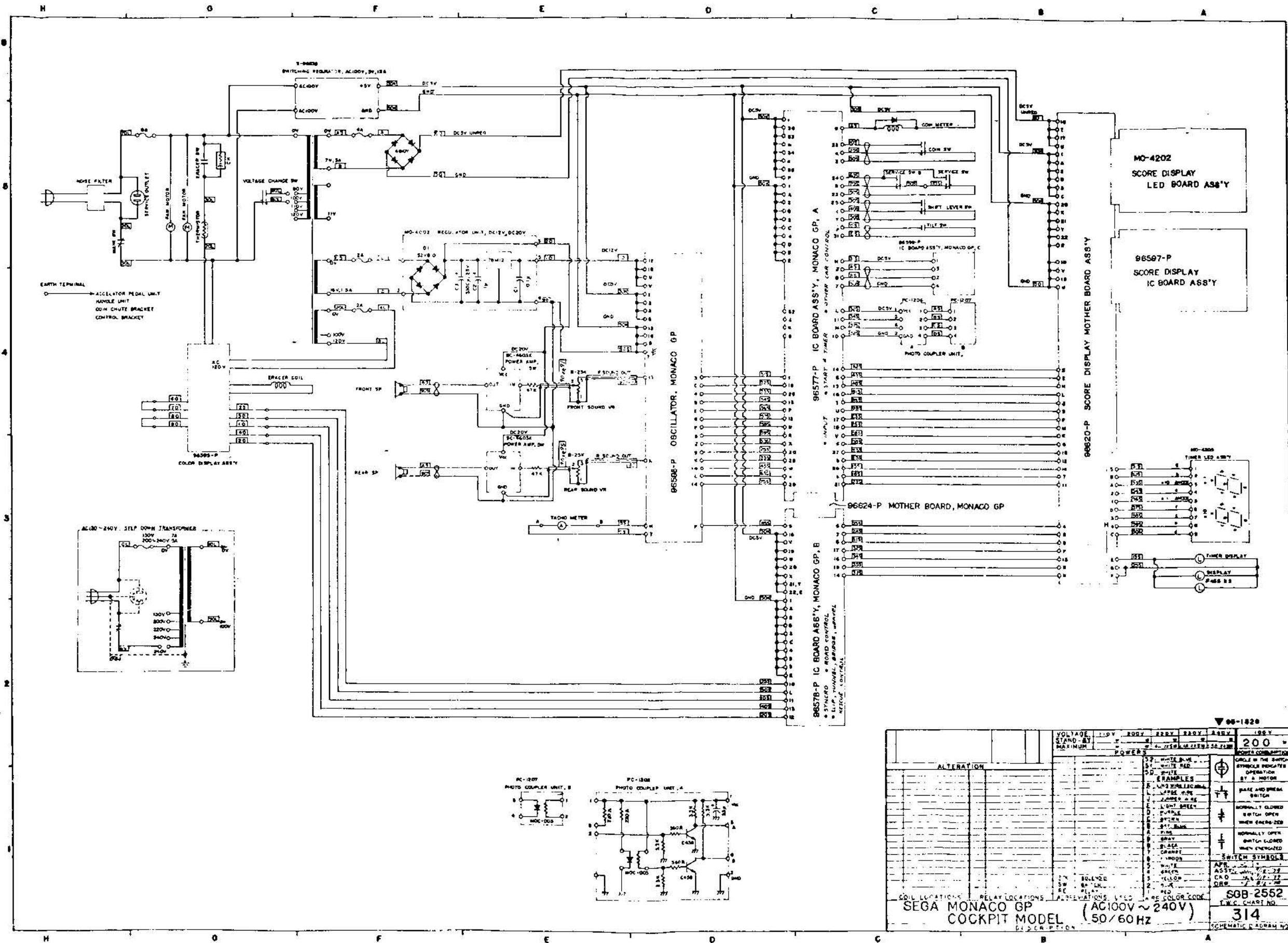
Item	Part No.	Description
1	S-90644	Fuse, 2A
	S-91941	Fuse, 4A
	S-91151	Fuse, 8A
2	MO-4002	Regulator Unit, DC 12V, 20V
	S-95596	IC, μ A78M12UC
3	BC-4603X	Power Amplifier, 5W
4	S-93467	Switch, Micro Type, Push Button, Red
5	96627	Power Transformer, 90-120V, 7V, 11V, 16V, 100-120V
6	S-94441	Rectifier, Silicon Diode
7	S-96638	Switching Regulator, AC 100V, 5V, 15A
8	S-96262	AC Cord Connector Body, Flat Type, 125V-15A

SCORE BOARD ASSY

MONACO GP



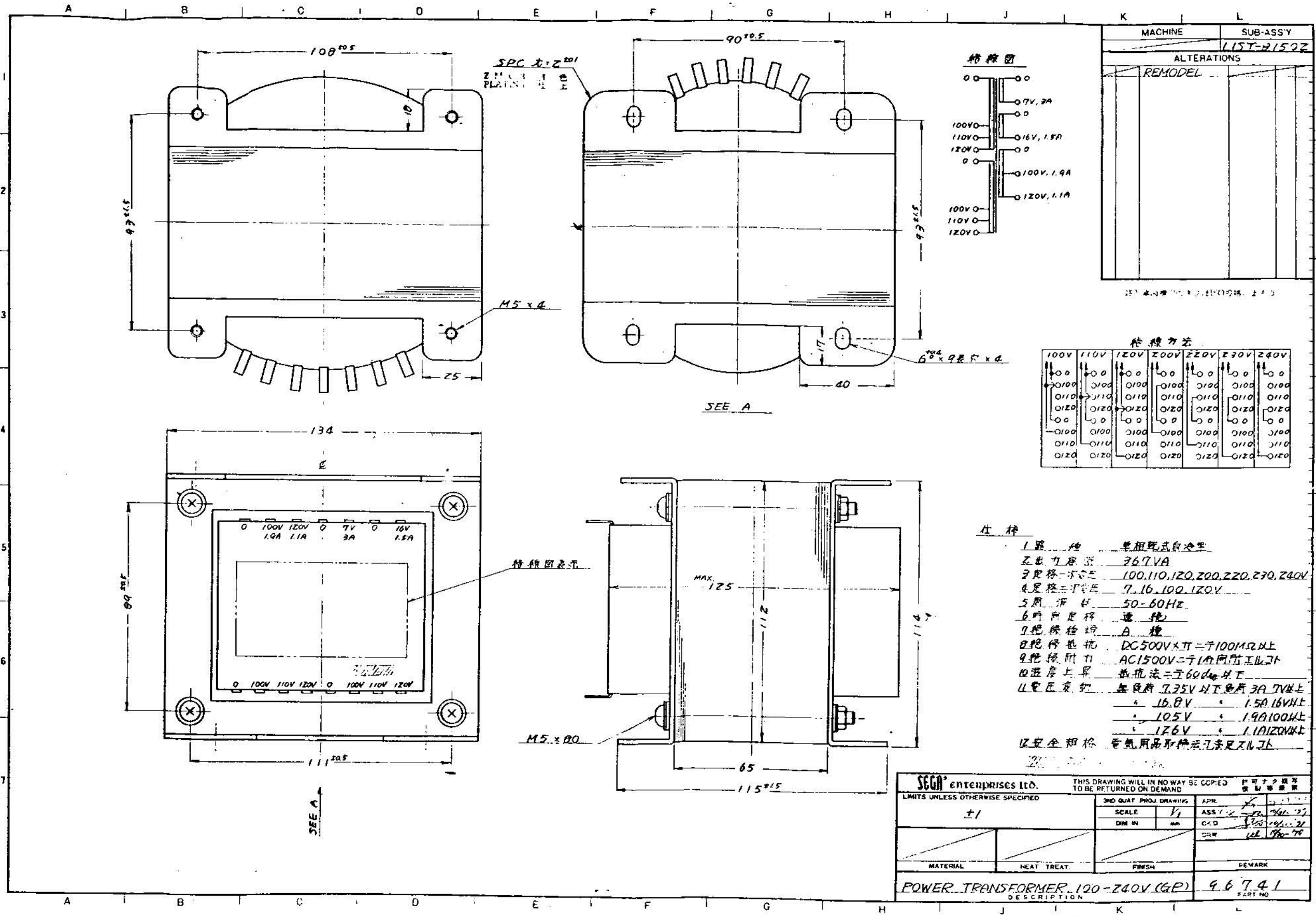
Item	Part No.	Description
1	96597-P	Score Display IC Board Assy
2	MO-4206	Mask, High Score
3	MO-4205	Timer LED Assy
	S-96600	L.E.D., Numeric Display, Red
4	S-94428	Bulb, 6.3V, 0.25A, Bush Type
5	MO-4208	Mask, Timer
6	96620-P	Score Display Mother Board Assy
7	MO-4207	Mask, Score
8	MO-4202	Score Display L.E.D. Board Assy
	S-96600	L.E.D., Numeric Display, Red
	S-96601	L.E.D., Numeric Display, 2 Digit, Red
9	MO-4210	TV Mask



ALTERATION	VOLTAGE STAND-BY MAXIMUM	110V	200V	220V	240V	250V	200	POWER	CIRCUIT COMBINATION
									CIRCLES IN THE SWITCH SYMBOLS INDICATE OPERATION BY A MOTOR SQUARE AND BREAK SWITCH NORMALLY CLOSED SWITCH OPENED WHEN ENERGIZED NORMALLY OPEN SWITCH CLOSED WHEN ENERGIZED SWITCH SYMBOLS APR. 1971 ASS'Y. UNIT: 2-22 CAD: JLL/1-77 DRW: 2-2-77 SGB-2552 I.W.C. CHART NO. 314 SCHEMATIC DIAGRAM NO.

SEGA MONACO GP COCKPIT MODEL (AC100V ~ 240V) 50/60HZ

96-1828



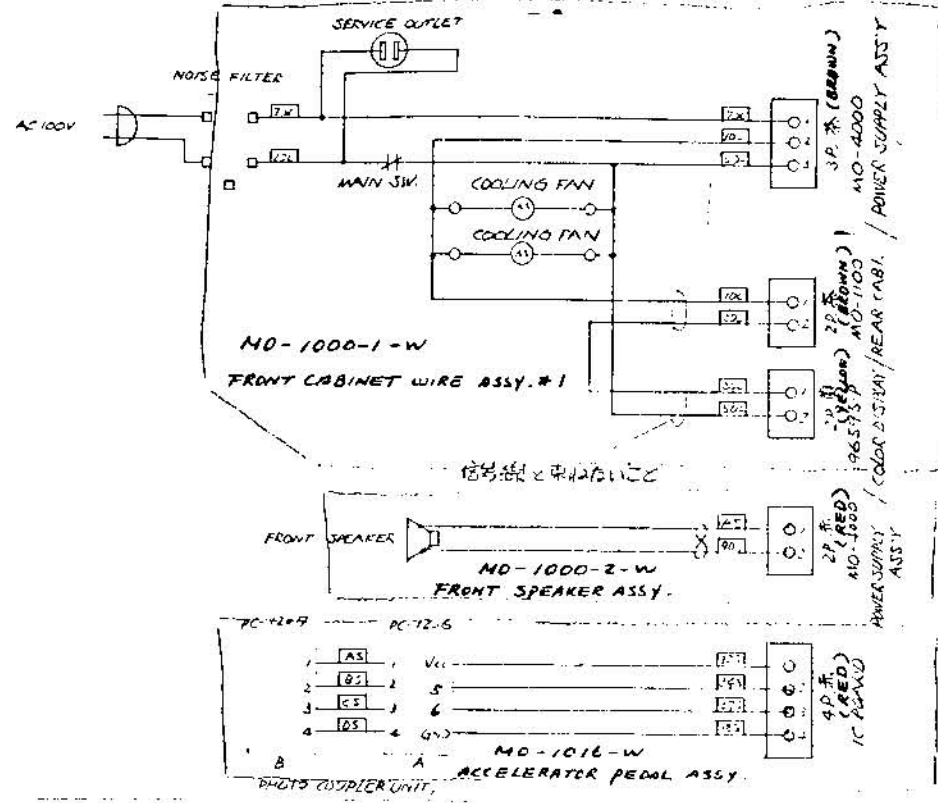
MACHINE	SUB-ASSY
	LIST-21522
ALTERATIONS	
REMODEL	

100V	110V	120V	200V	220V	230V	240V
00	00	00	00	00	00	00
0100	0100	0100	0100	0100	0100	0100
0110	0110	0110	0110	0110	0110	0110
0120	0120	0120	0120	0120	0120	0120
00	00	00	00	00	00	00
0100	0100	0100	0100	0100	0100	0100
0110	0110	0110	0110	0110	0110	0110
0120	0120	0120	0120	0120	0120	0120

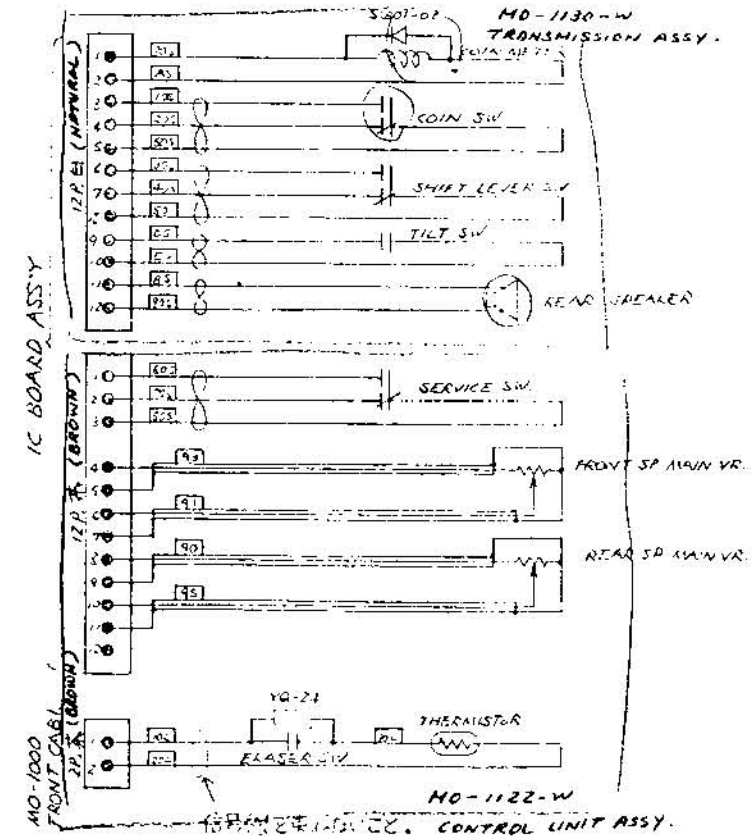
- 仕様
- 1 器種 单相既式自冷式
 - 2 出力容量 367VA
 - 3 定格一次電圧 100, 110, 120, 200, 220, 230, 240V
 - 4 定格二次電圧 7, 16, 100, 120V
 - 5 周波数 50-60Hz
 - 6 外形定寸 連続
 - 7 絶縁種別 A 種
 - 8 絶縁巻法 DC 500V x TT = 7100MΩ以上
 - 9 絶縁耐力 AC 1500V = 1分間耐電圧以上
 - 10 湿度上昇 巻法法 = 70deg C以上
 - 11 電圧変動 無負荷 7.75V以下 負荷 3A 7V以上
 - 16.8V 1.5A 16V以上
 - 10.5V 1.9A 100kHz
 - 12.6V 1.1A 120V以上
 - 12 安全規格 電気用品取締法7条足る以上

SCGA enterprises Ltd.		THIS DRAWING WILL IN NO WAY BE COPIED OR REPRODUCED WITHOUT THE WRITTEN PERMISSION OF SCGA ENTERPRISES LTD.		許可なく複製等 禁止	
LIMITS UNLESS OTHERWISE SPECIFIED		3RD QUAT PROJ DRAWING		APR	
±1		SCALE	1/1	ASSY	2/2
		DIM IN	mm	CAD	2/2
				DRW	2/2
MATERIAL	HEAT TREAT	FINISH	REMARK		
POWER TRANSFORMER 120-240V (GP)				96741	
DESCRIPTION				PART NO	

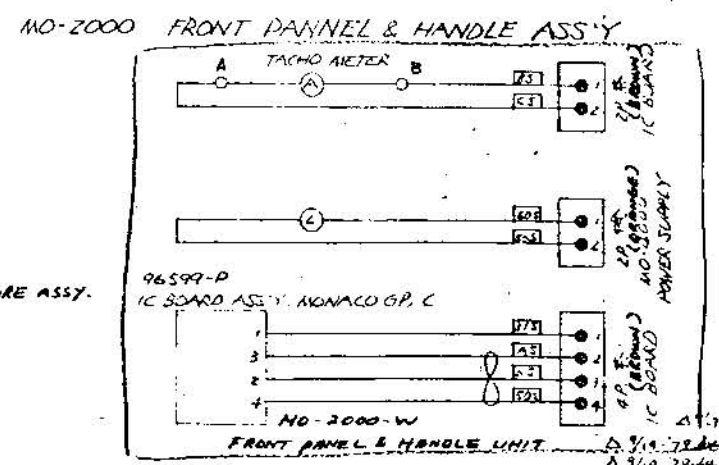
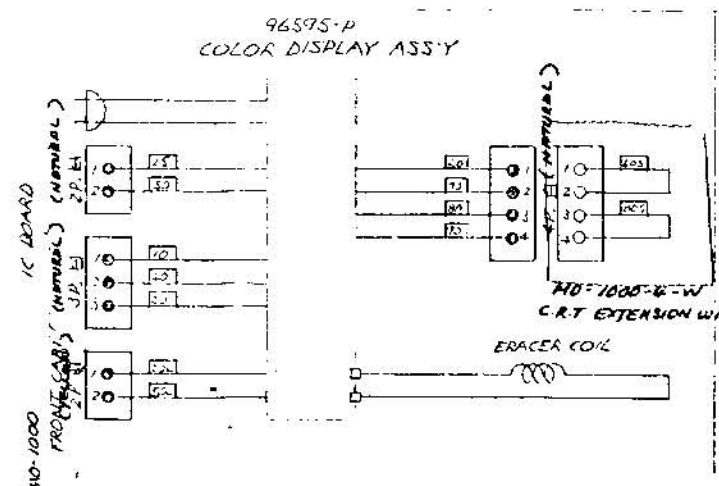
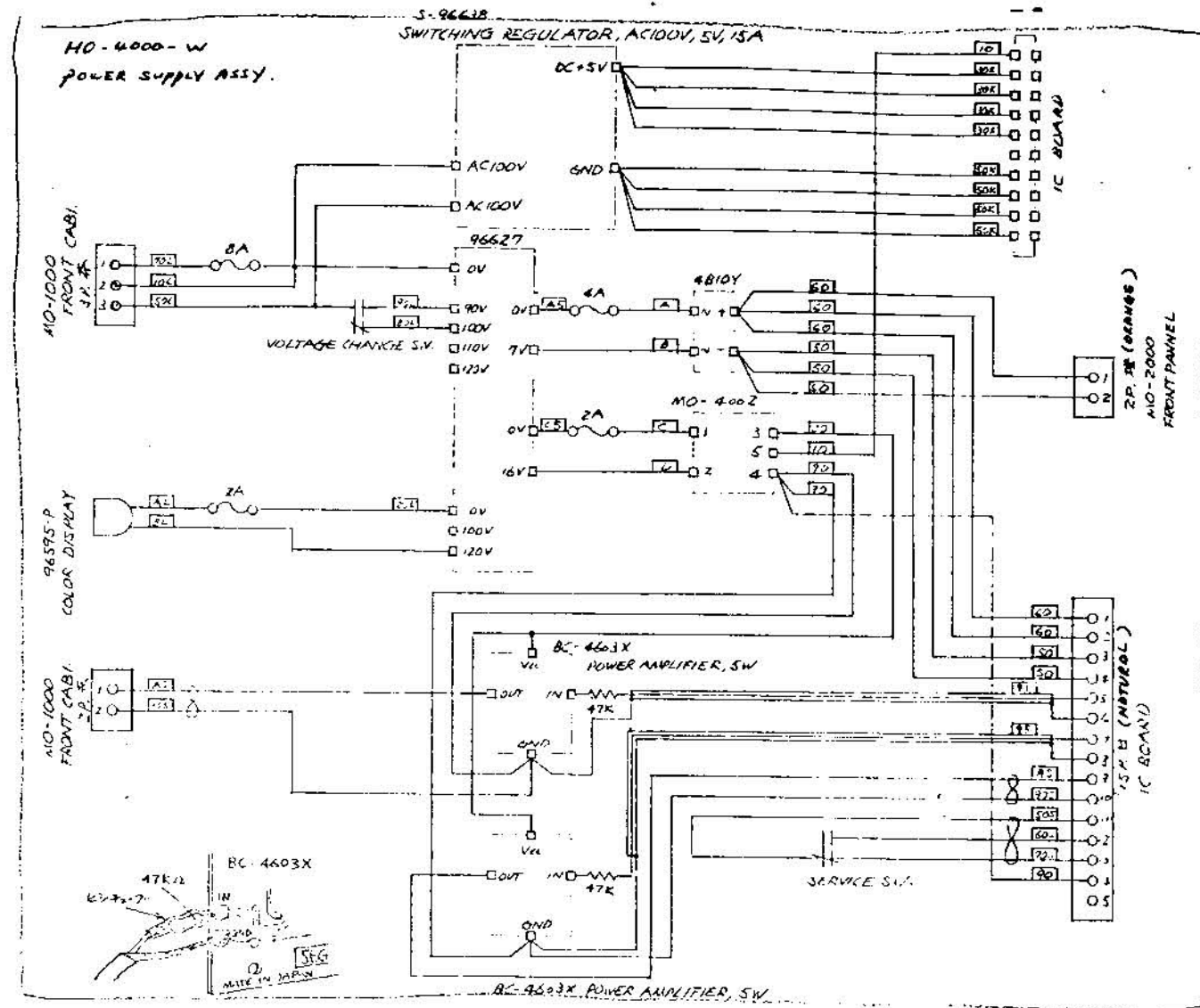
MO-1000 FRONT CABINET ACCESSORY ASS'Y



MO-1100 REAR CABINET ACCESSORY ASS'Y



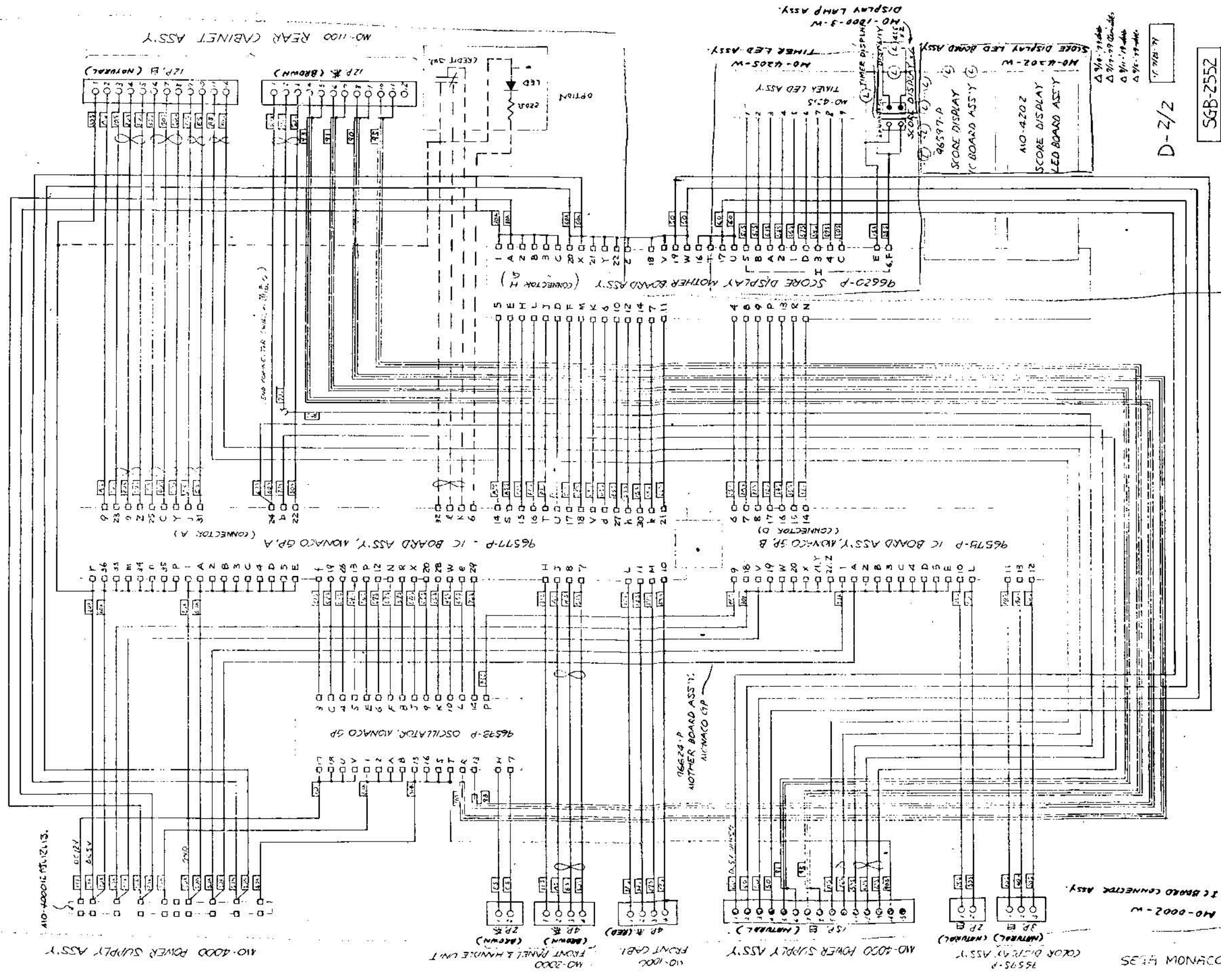
MO-4000 POWER SUPPLY ASS'Y



SEGA MONACO GP (COCKPIT)

D-1/2
 SGB-2552
 W.C. CHART NO
 314
 SCHEMATIC DIAGRAM NO

IC BOARD ASS'Y



Δ 9/10-79
 Δ 9/11-79
 Δ 9/12-79
 Δ 9/13-79

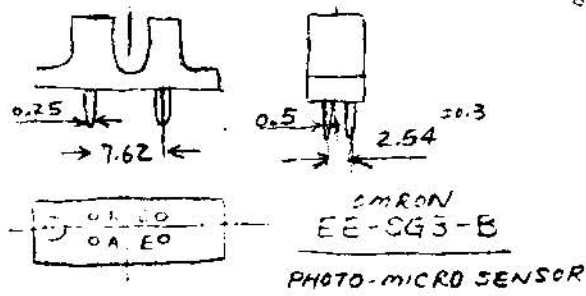
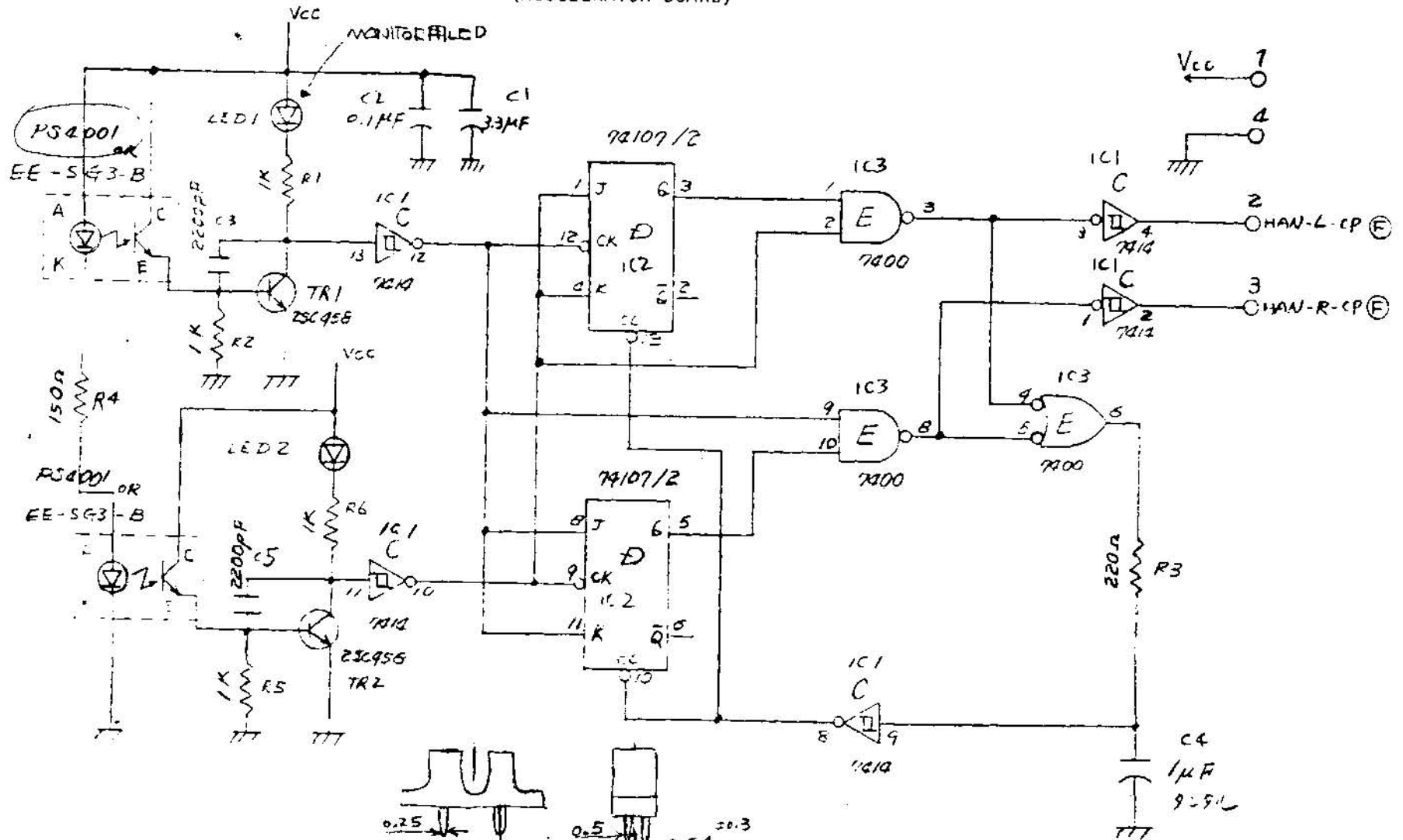
D-2/2

SGB-2552
 T.W.C. CHART NO.
 314
 SCHEMATIC DIAGRAM NO.

SEGA MONACO GP (LOCK PT.)

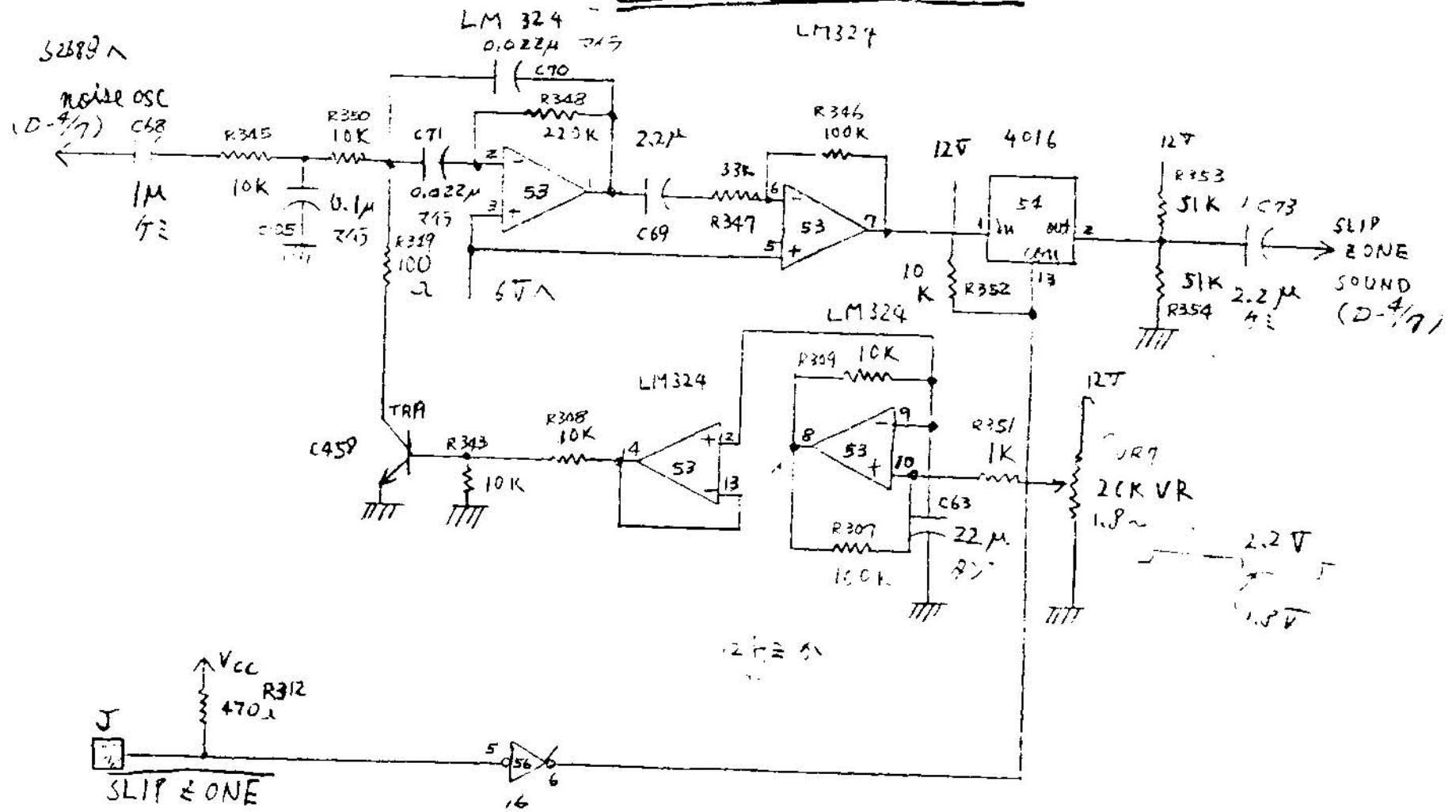
HANDLE, LOGIC DIAGRAM

(ACCELERATOR BOARD)



96599-P
IC BOARD ASSY

SLIP ZONE SOUND



LM324 1

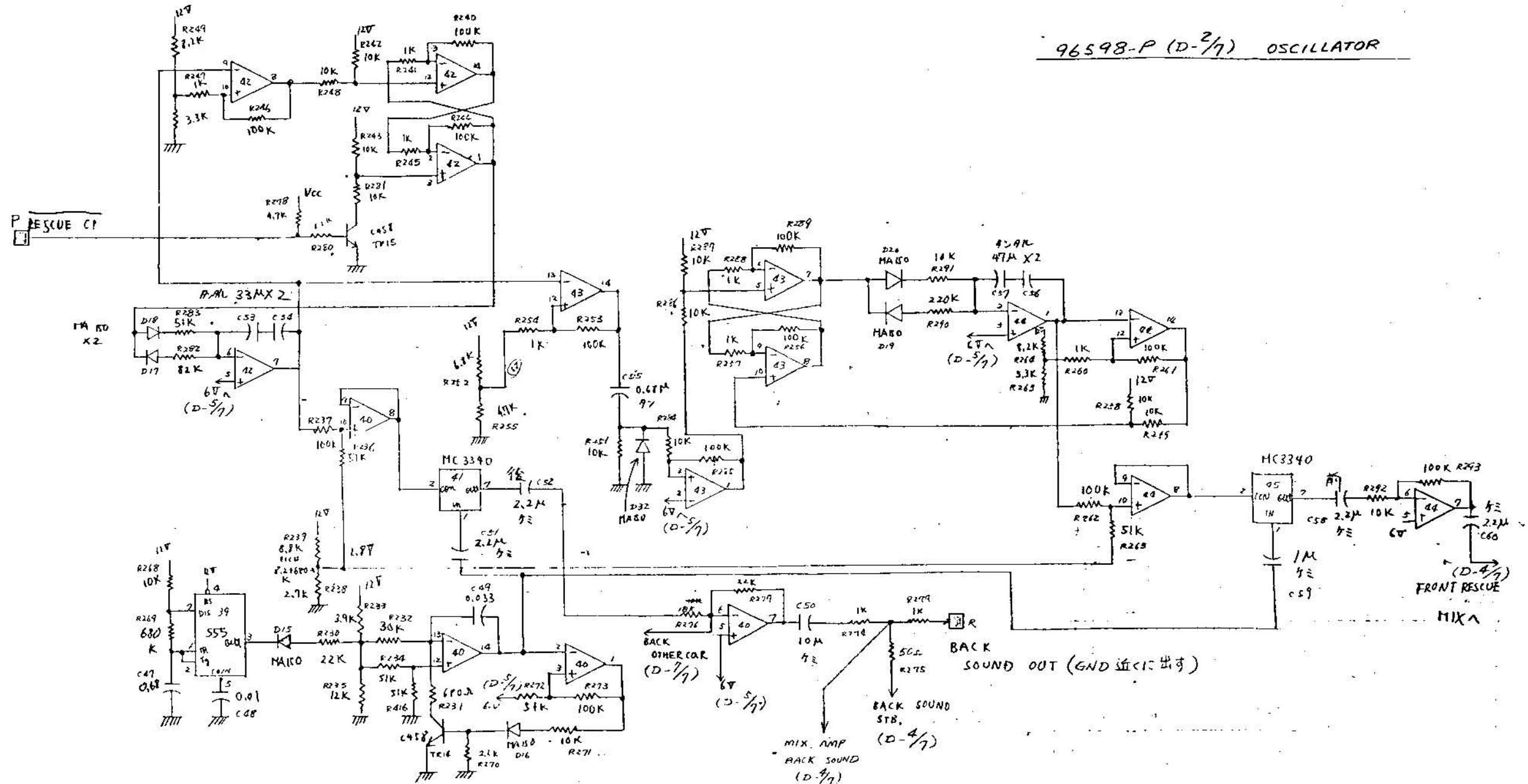
96598-P (D-1/7) OSCILLATOR

⑤ - MONACO GP

OP AMP LM324

RESCUE CAR

96598-P (D-2/7) OSCILLATOR

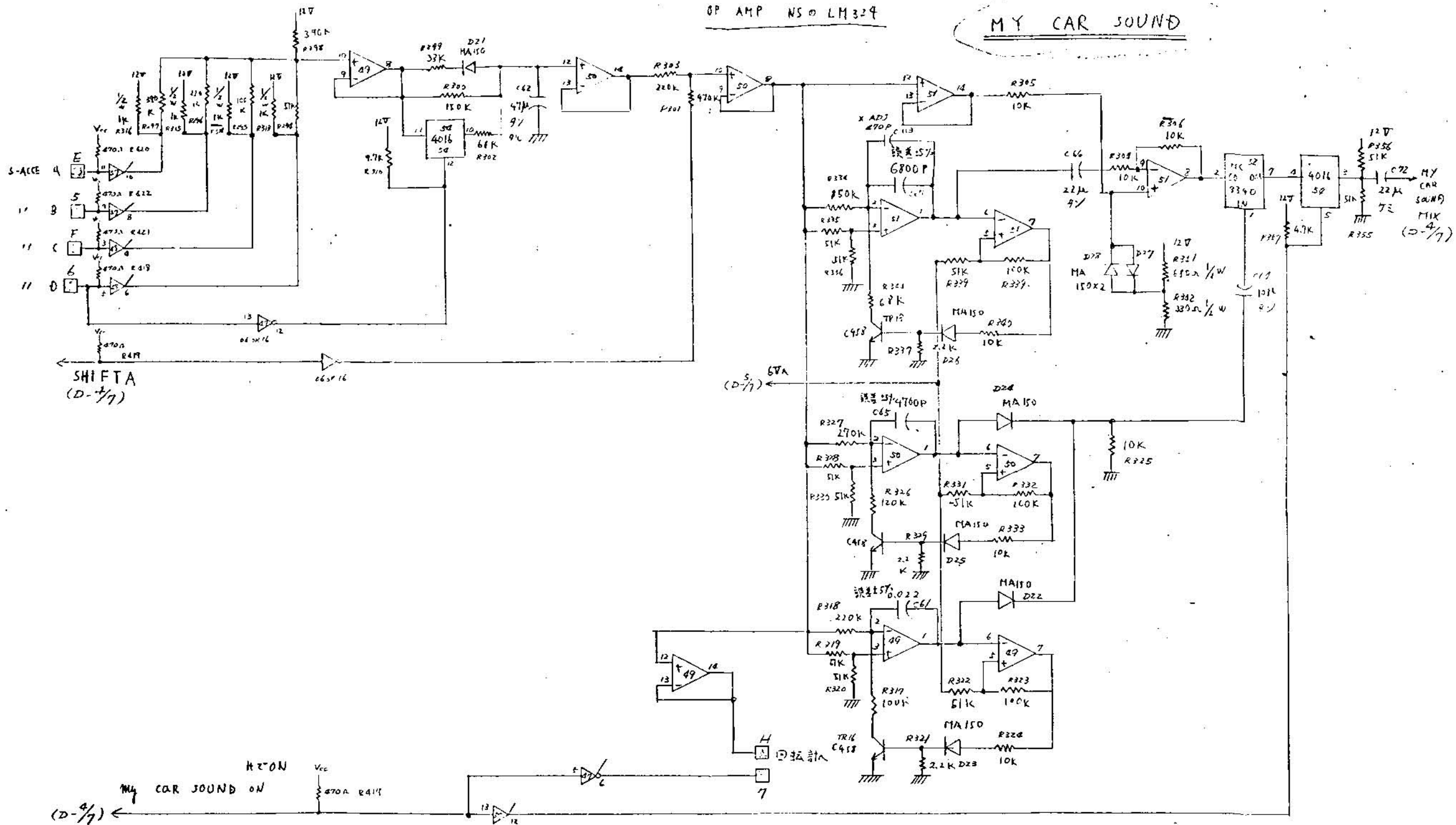


- LM324 4コ
- 555 1コ
- MC3340 2コ

S MONACO GP

GP AMP NSD LM324

MY CAR SOUND



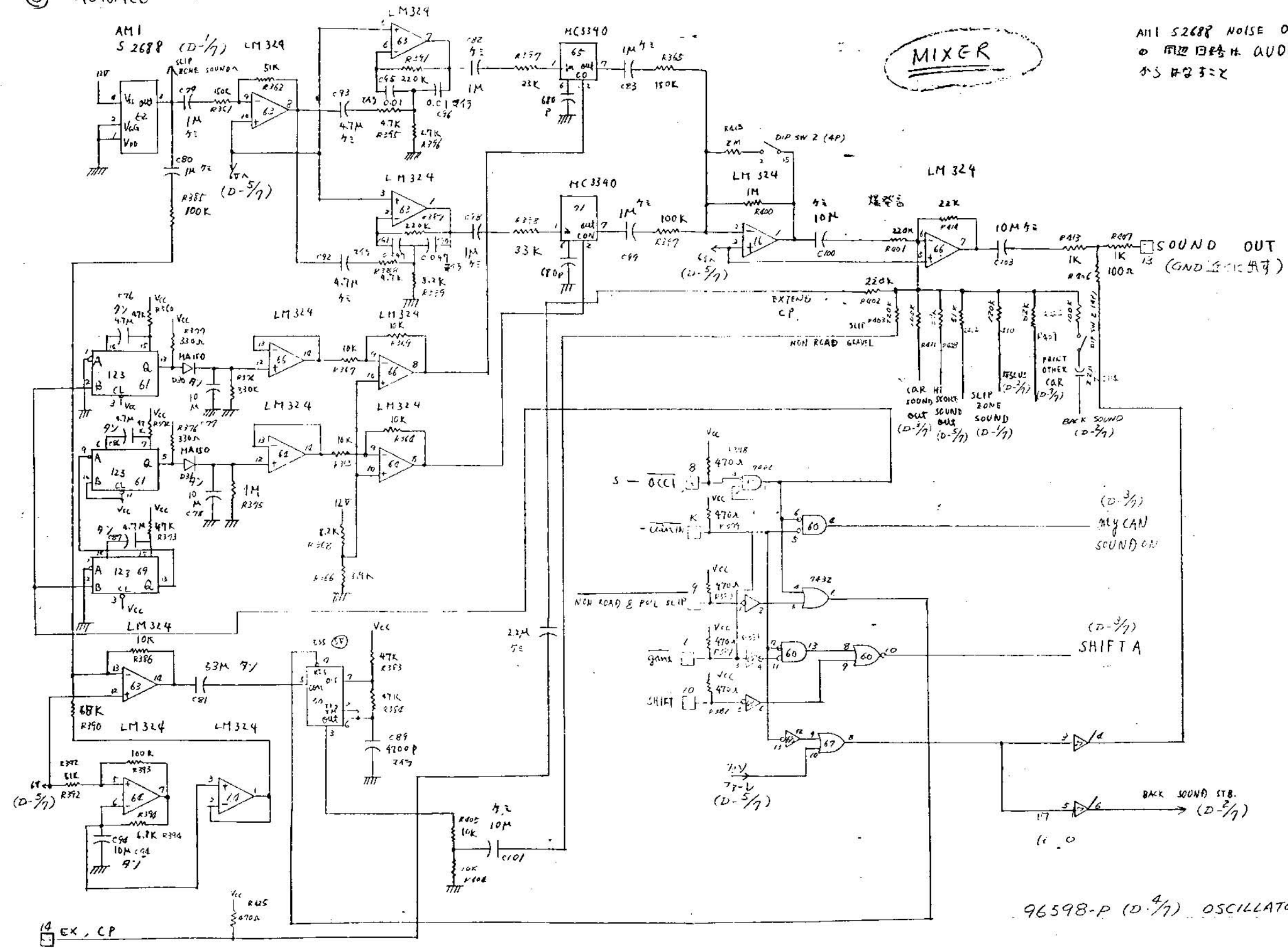
- LM 324 x 3
- 04 x 1
- 07 x 2
- 330 x 1

96598-P (D-3/1) OSCILLATOR

回転計内部 x-9-類のランプ
1712V AC 又は DC

15
K2 750MA

⑤ - MONACO GP



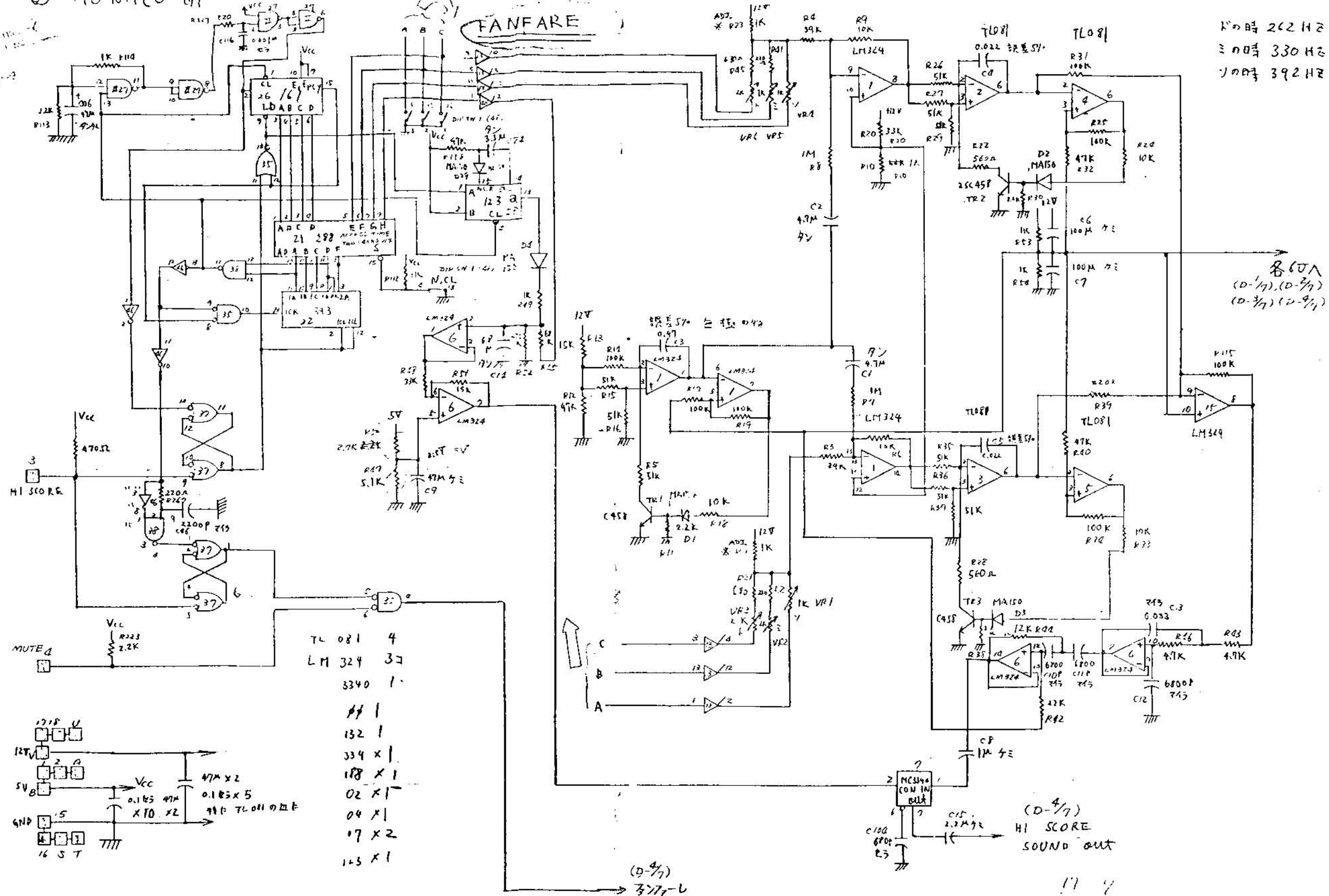
MIXER

AMI S2688 NOISE OSC IF
 ① 同位回路中 AUDIO同路
 ② S 4.5 5.2

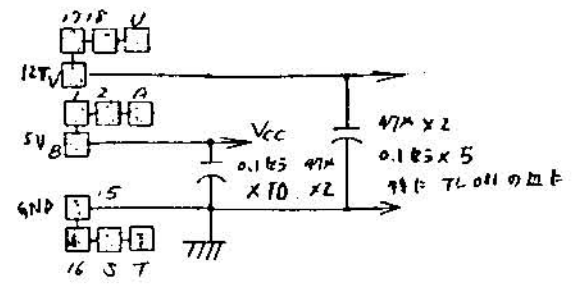
96598-P (D-4/7) OSCILLATOR

14 EX, CP

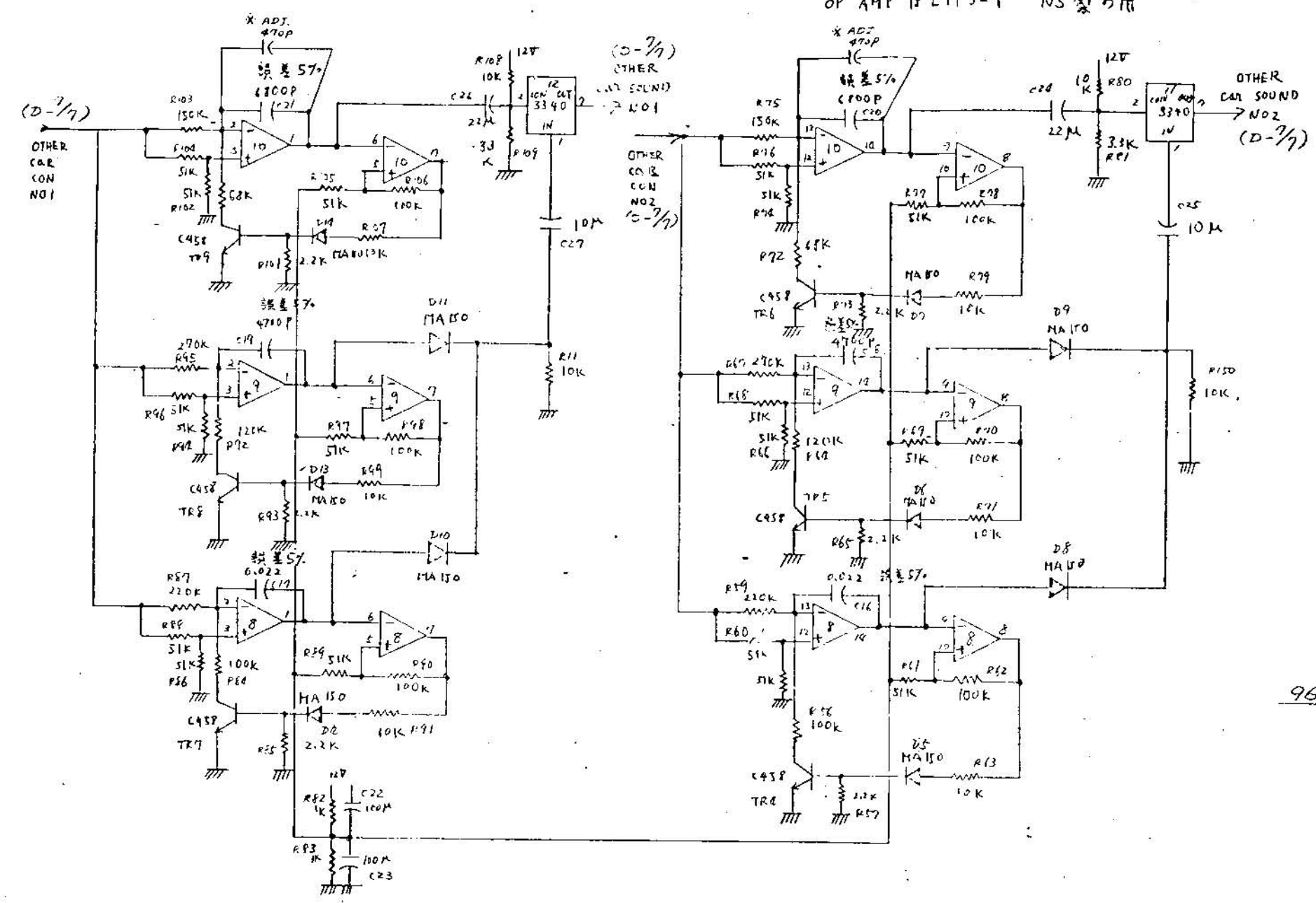
⑤ MONACO GP



- TL 081 4
- LM 324 37
- 3340 1
- 11 1
- 132 1
- 334 X 1
- 188 X 1
- 02 X 1
- 04 X 1
- 07 X 2
- 143 X 1



⑤ - MONACO GP



OTHER CAR SOUND

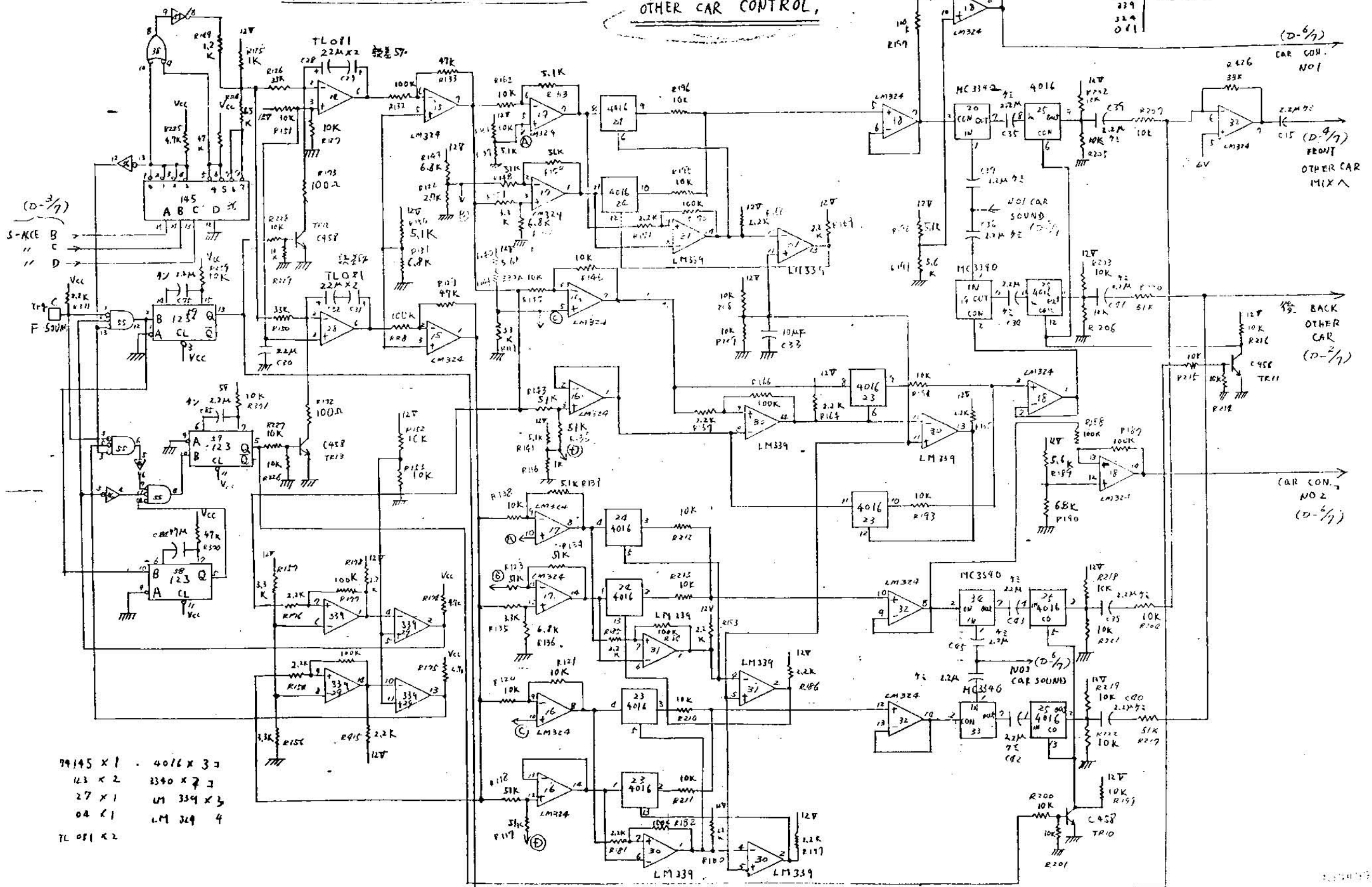
96598-P (D-6/7) OSCILLATOR

LM324 X3
MC 3340 X2

⑤ MONACO GP

96598-P (D-7/7) OSCILLATOR

OTHER CAR CONTROL,



4016
3340 } 12V
279
329
011

(D-3/7)

(D-5/7)

(D-6/7)

(D-7/7)

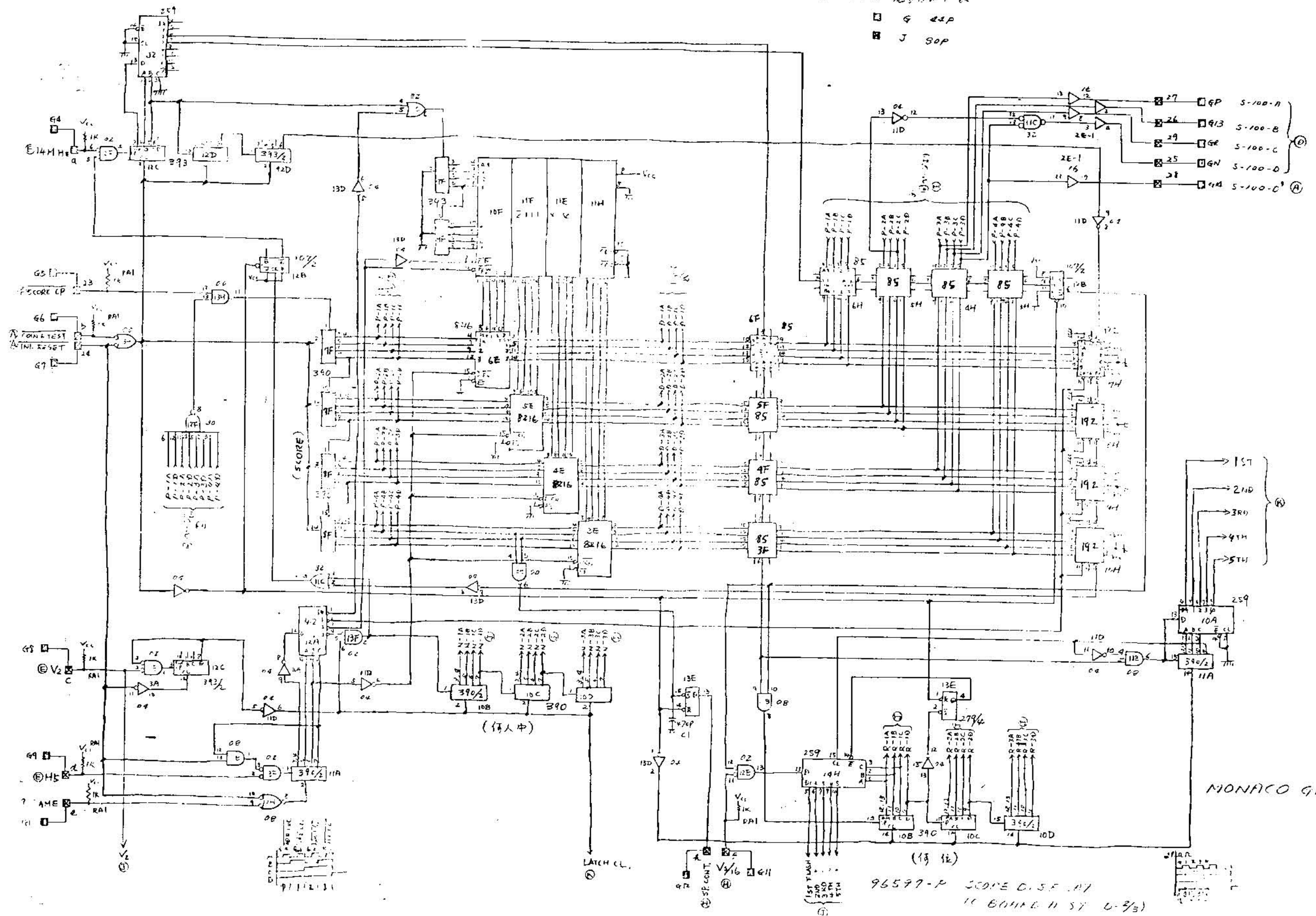
(D-5/7)

- 74145 x 1
- 4016 x 30
- 123 x 2
- 3340 x 7
- 27 x 1
- LM 339 x 3
- 04 x 1
- LM 324 x 4
- TL 081 x 2

I

CONNECTOR TOP SIDE P 2

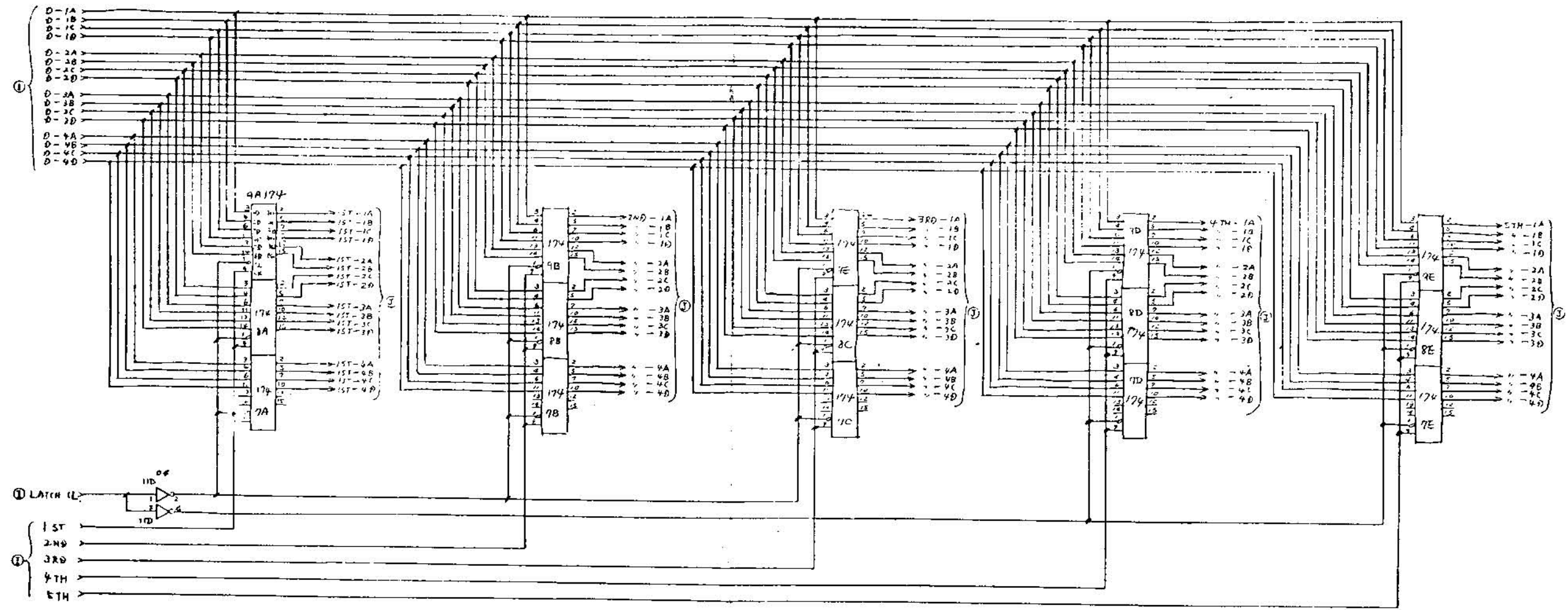
- G 42P
- J 50P



MONACO GF

96599-P SCORE D.S.F. (1)
 10 BOMBA H ST U-2/3

K



96597-P SCORE DISPLAY IC BOARD ASSY.(D-3/3)

MONACO GP

(1)

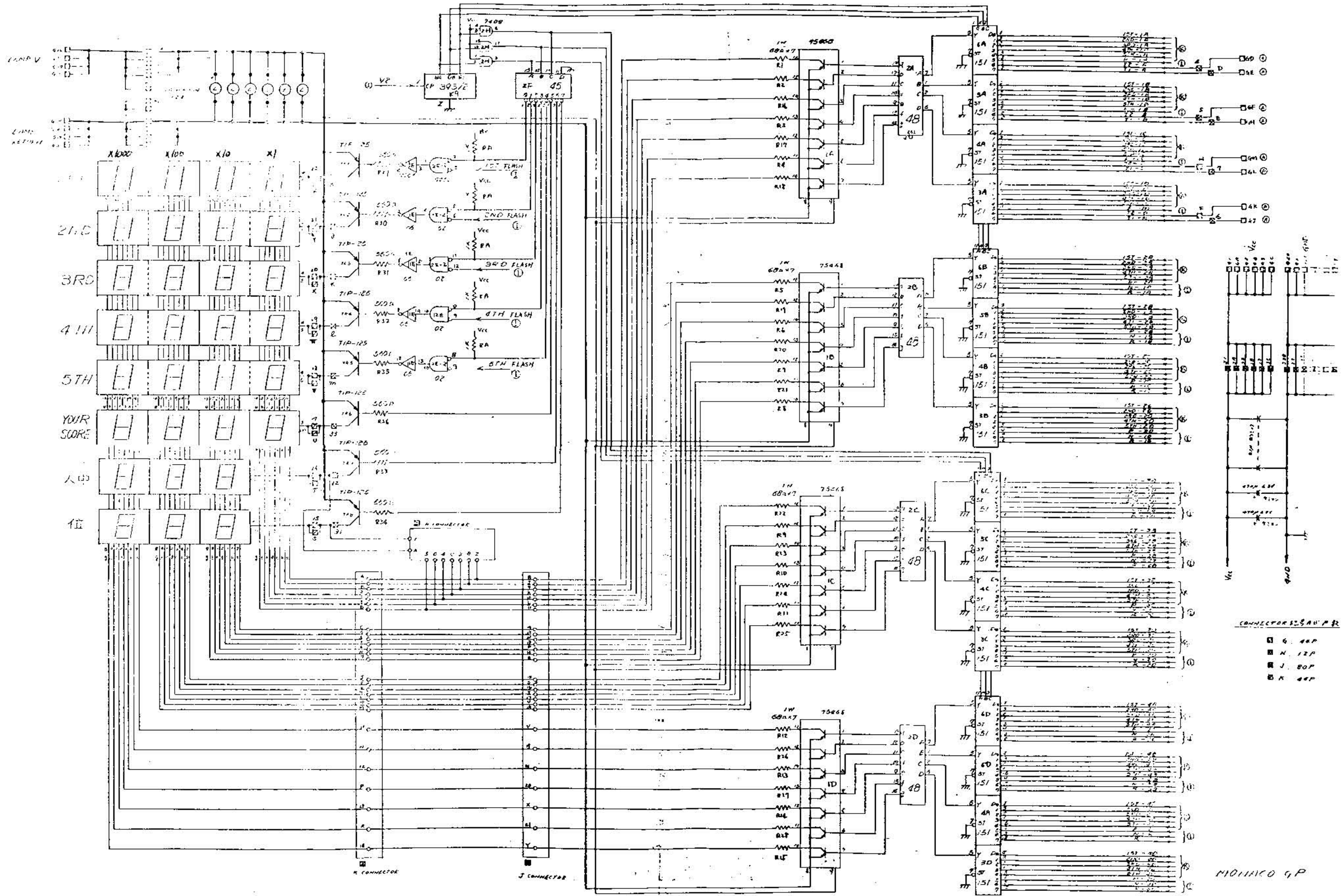


FIG. 4202
SCORE DISPLAY LED BOARD ASSY

96620-P
SCORE DISPLAY
MOTHER BOARD ASSY.

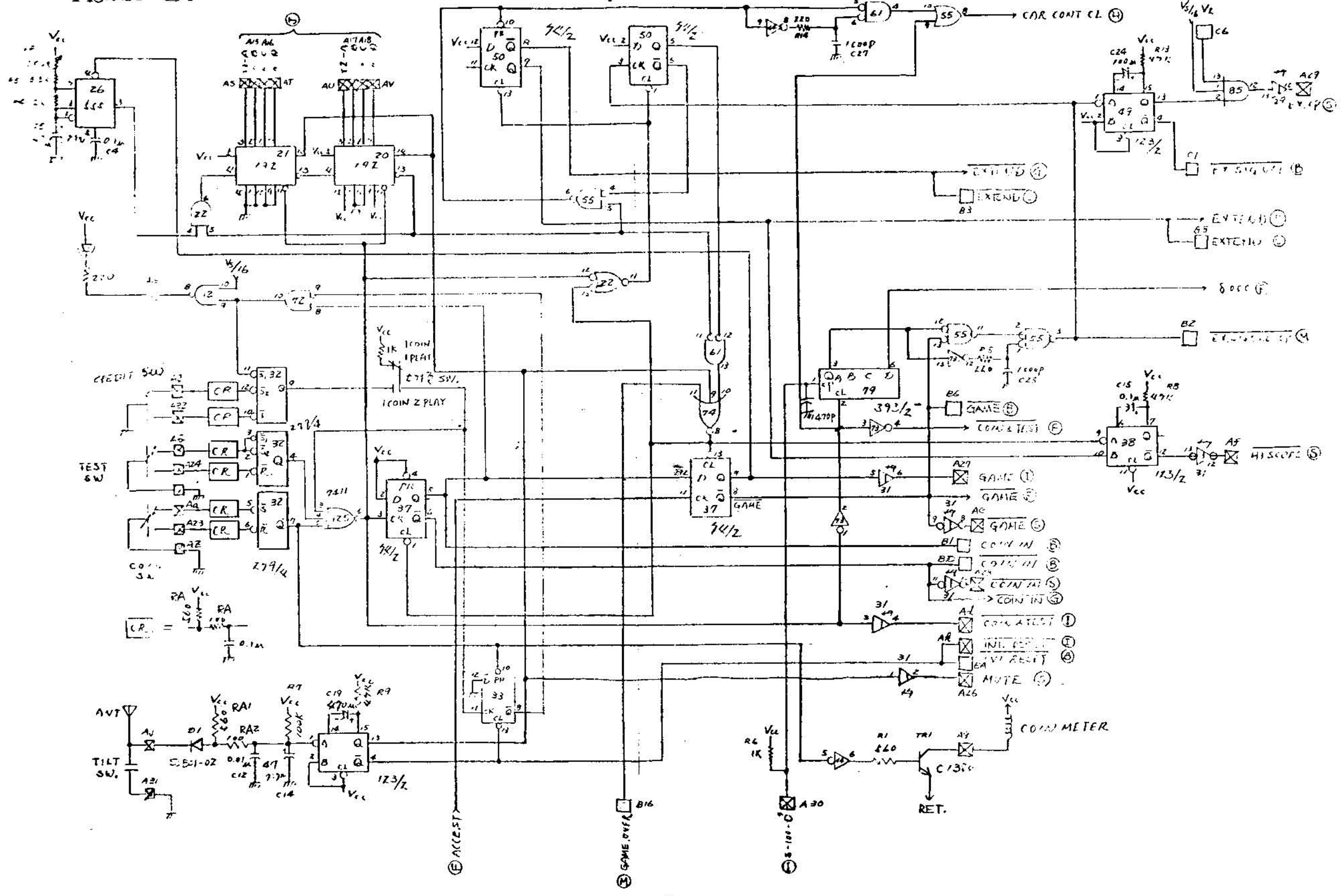
96597-P SCORE DISPLAY IC BOARD ASSY. (D-1/3)

- CONNECTOR 255A P 2
- 6. 40P
 - N. 12P
 - J. 80P
 - K. 40P

MOTOROLA GP

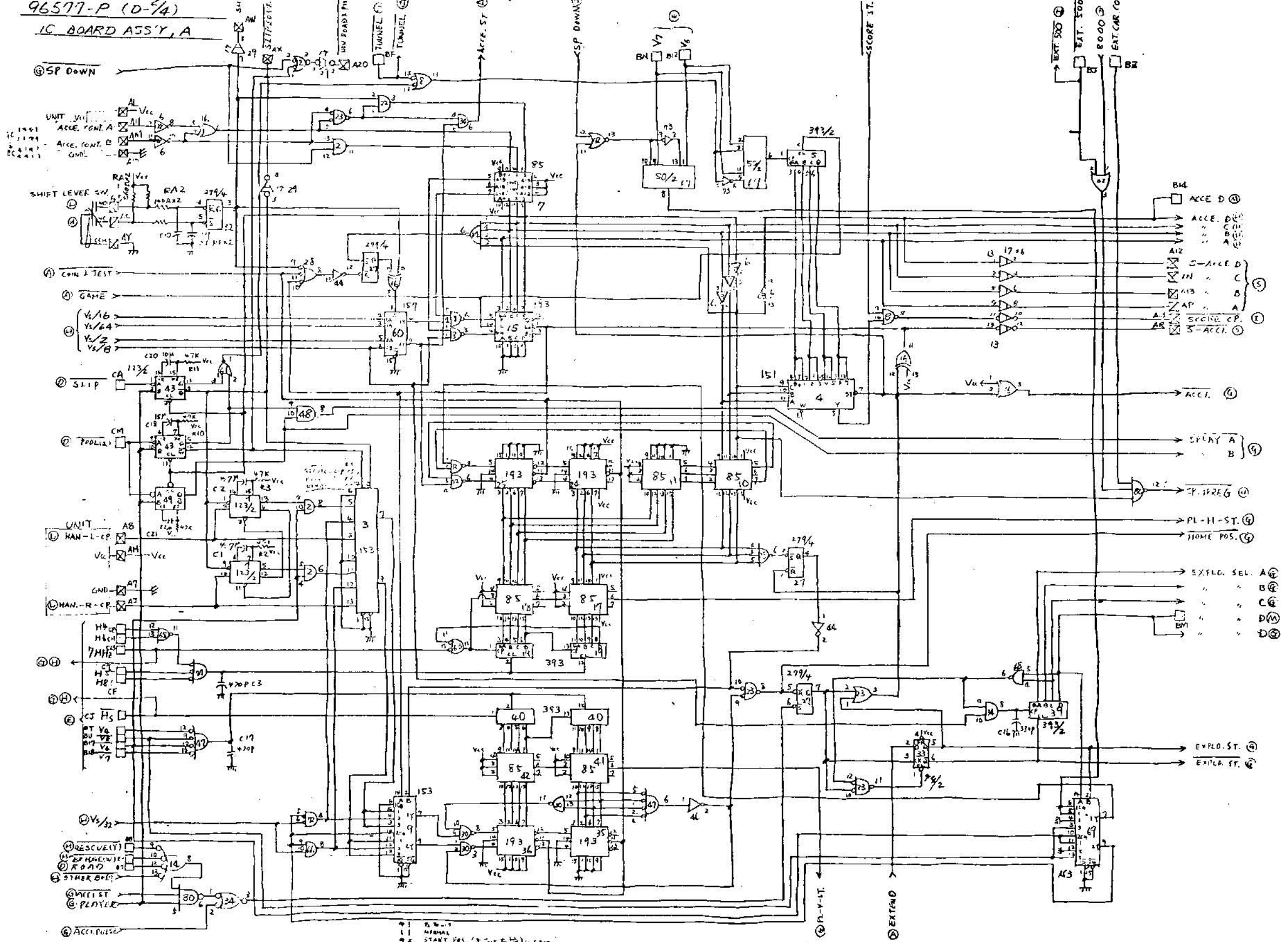
① 1/13
MONACO GP 96577-P (D-1/4) IC BOARD ASSY A

29-E.917-CONTROL



F
 MONACO GP
 96577-P (10-1/4)
 IC BOARD ASS'Y, A

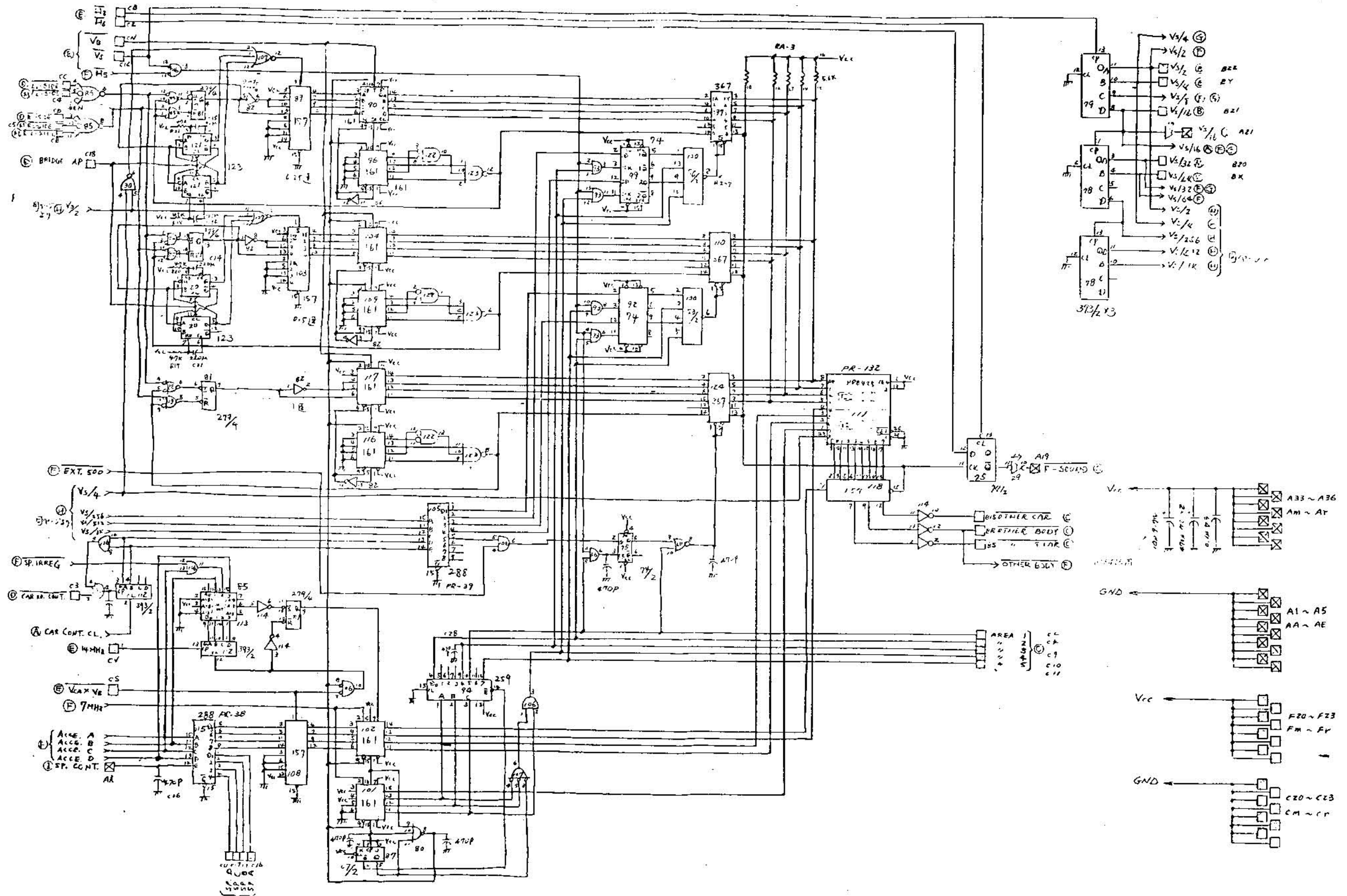
PL-11 (72セル, ハジレ, エキスパン) コントロル



11 R.W.-1
 11 NORMAL
 START POS. (3-2-E) (SET)
 14 NORMAL (VCC) (ACC'D)

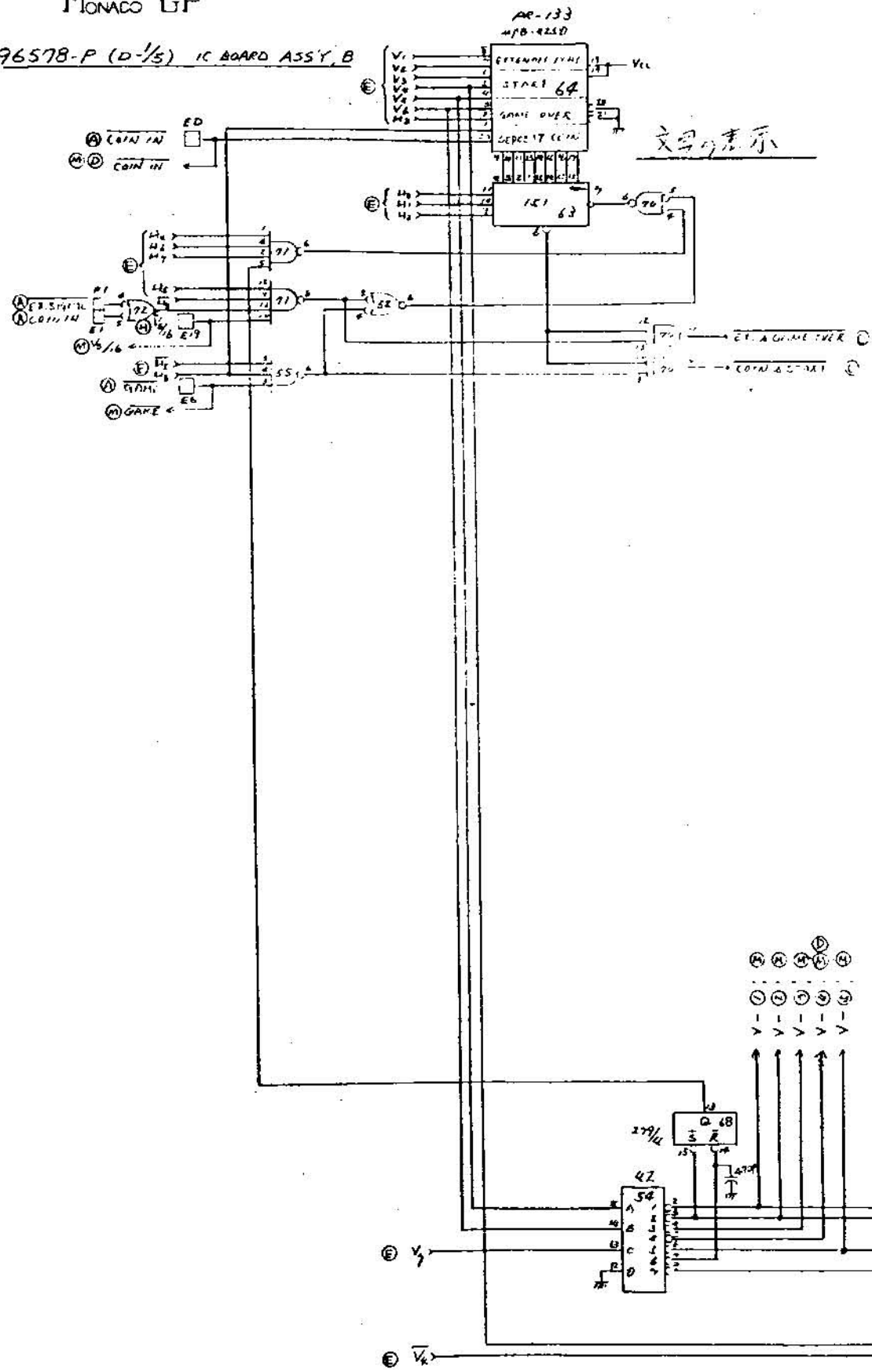
H
MONAD GP 96577-P (D-4/4) IC BOARD ASSY, A

OTHER CAR の 送信機 と 受信機

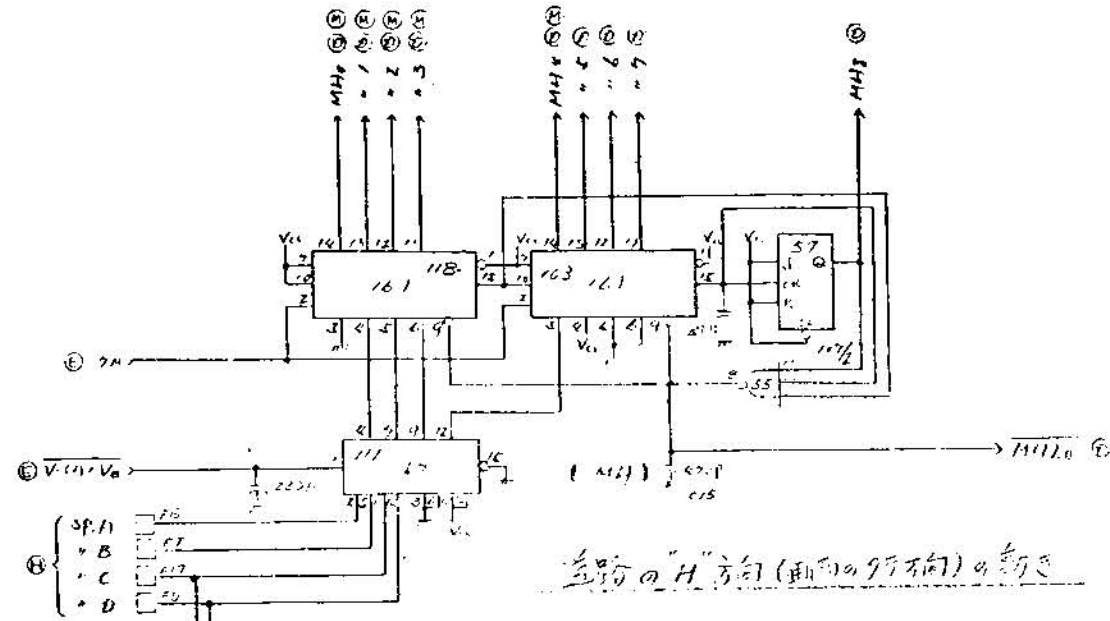


② 2/18
MONACO GP

96578-P (D-1/5) IC BOARD ASSY, B



文字の表示

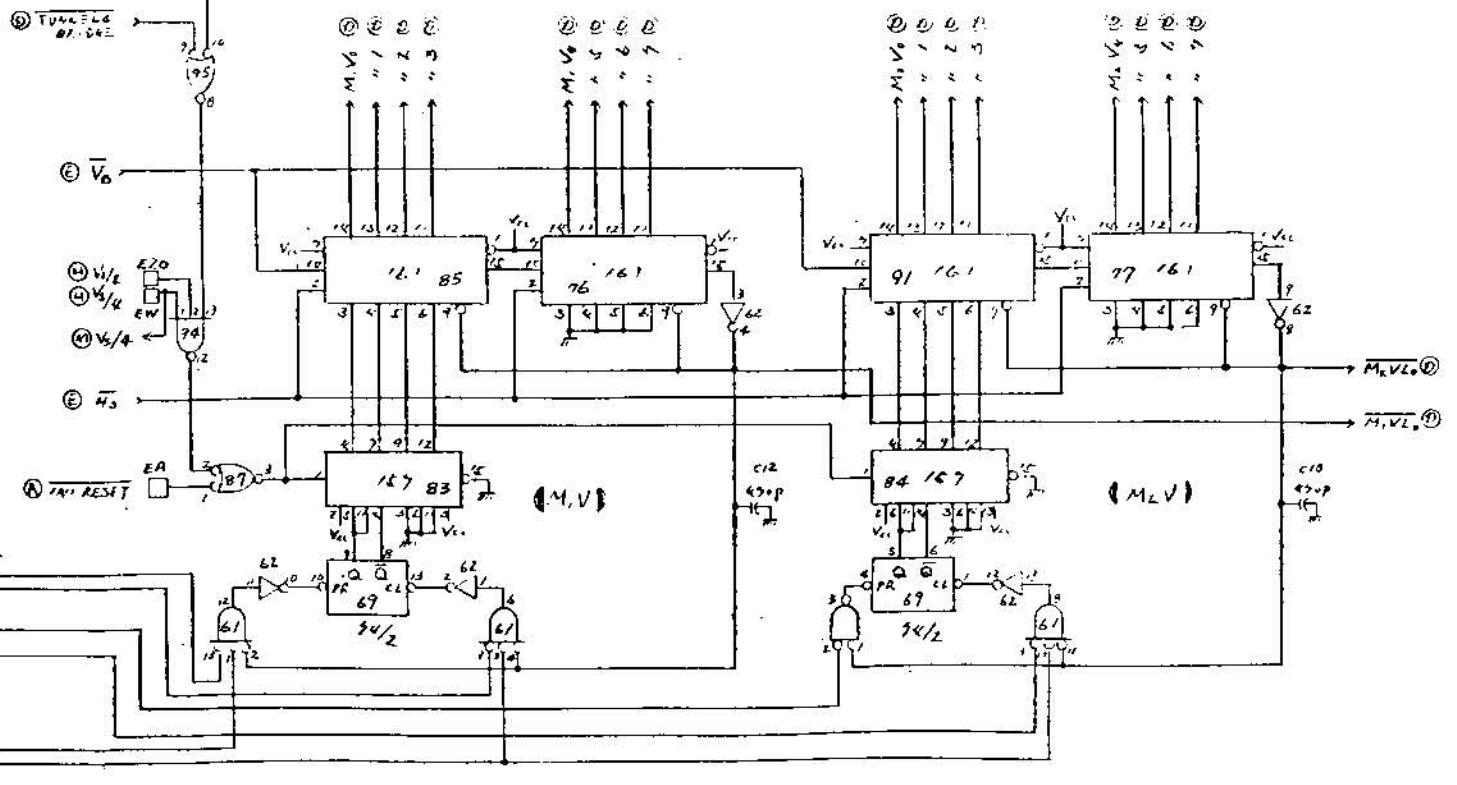


並列のH方向(初期のH方向)の動き

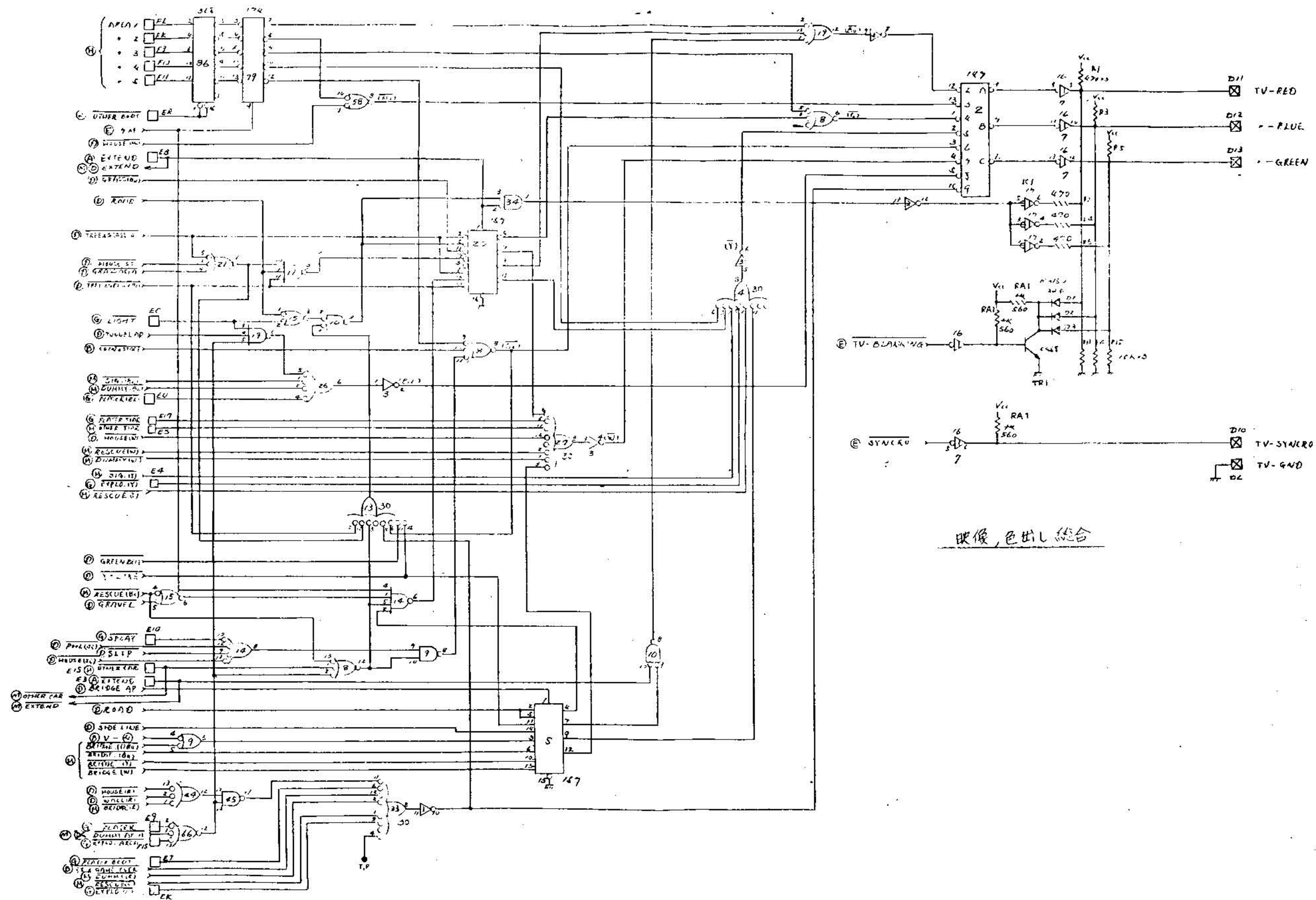
並列のV方向(初期のV方向)の動き

右側

左側

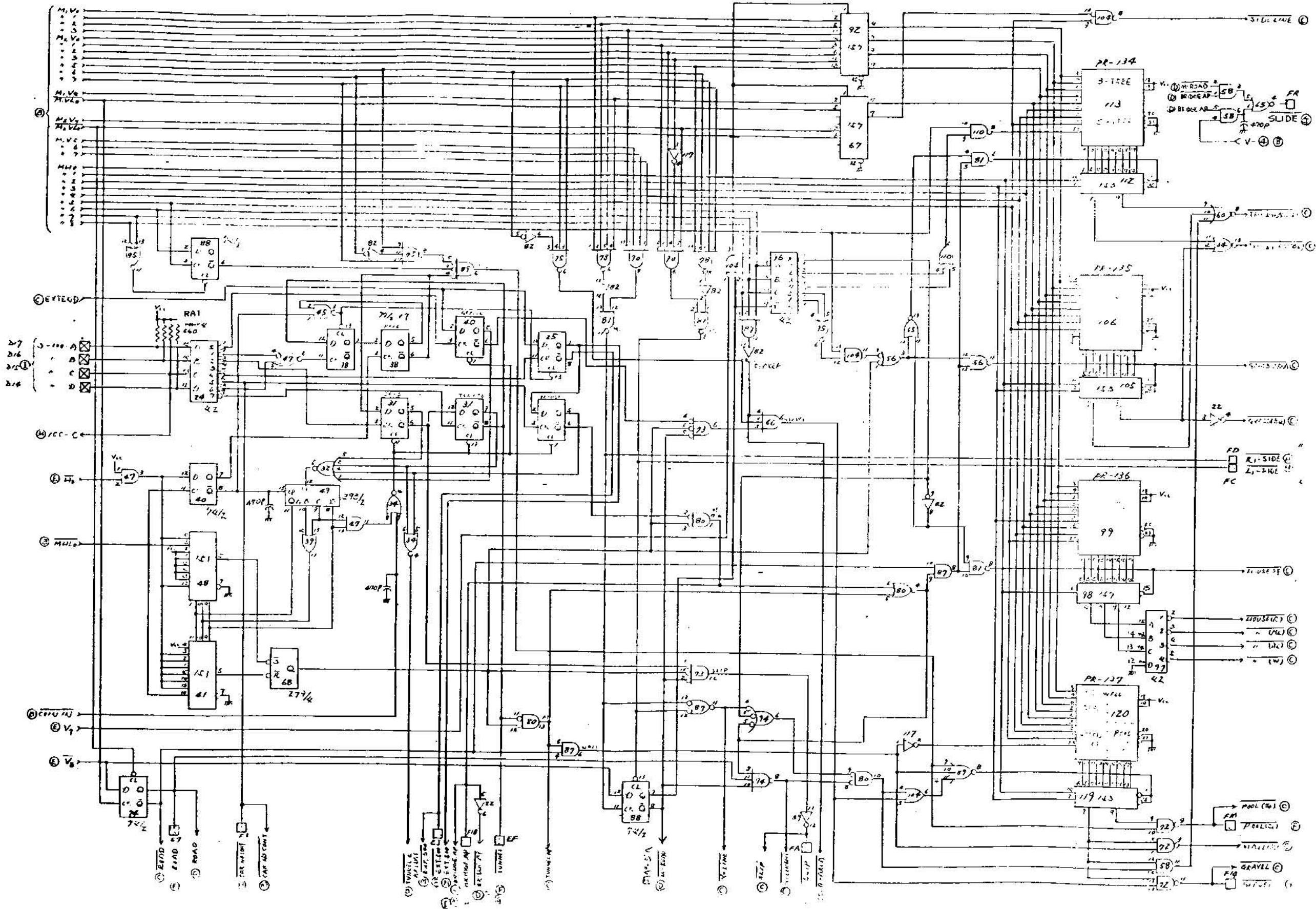


① M. M. GP 96578-1 (10-15) IC BOARD P.C.B.



映像, 色出し 総合

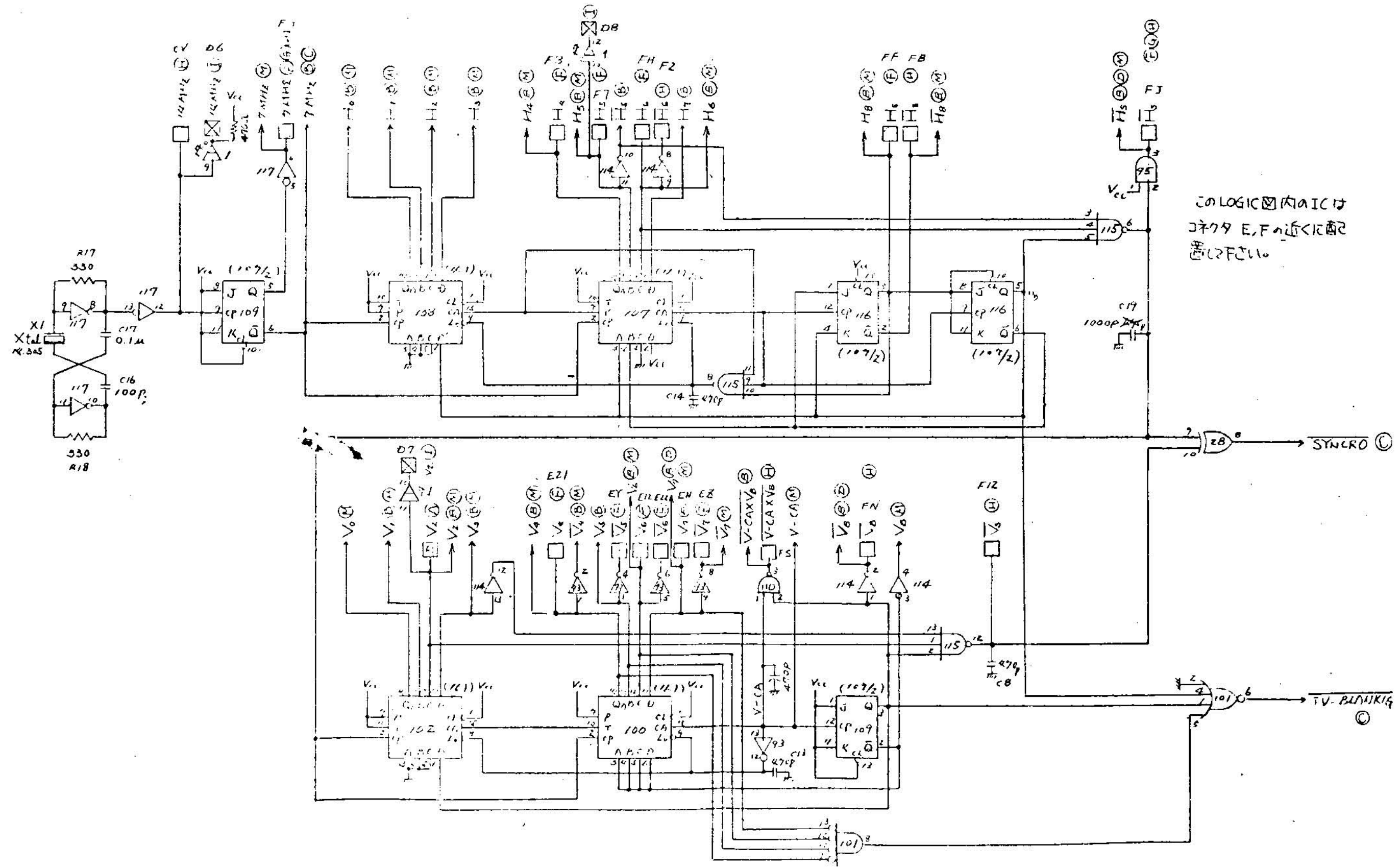
① MONACO GP 96578-P (D-3/5) IC BOARD ASSY, B 通路上の結合(1.2k, 1.5k, 10k)とエトホール



⑤ 1/3

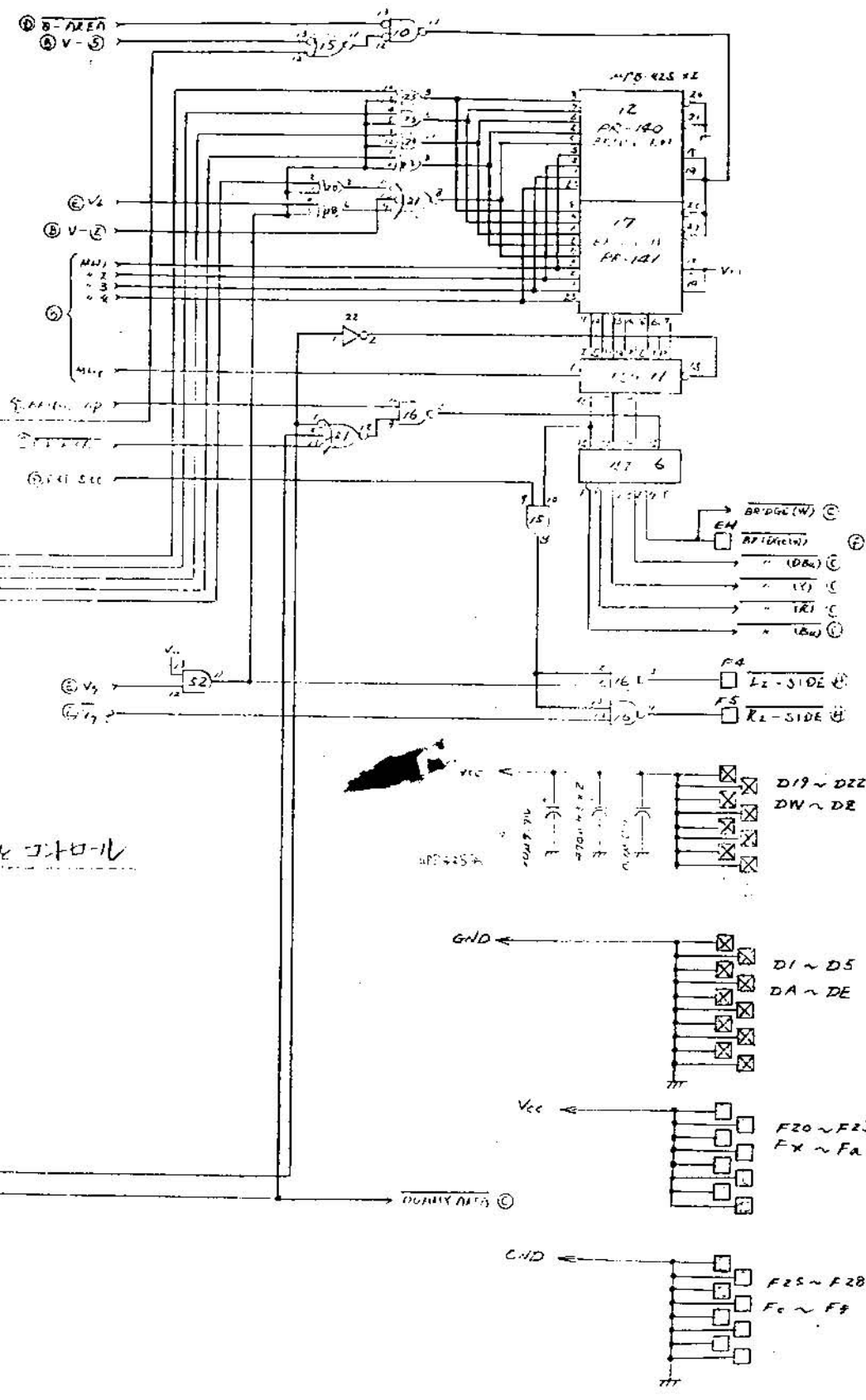
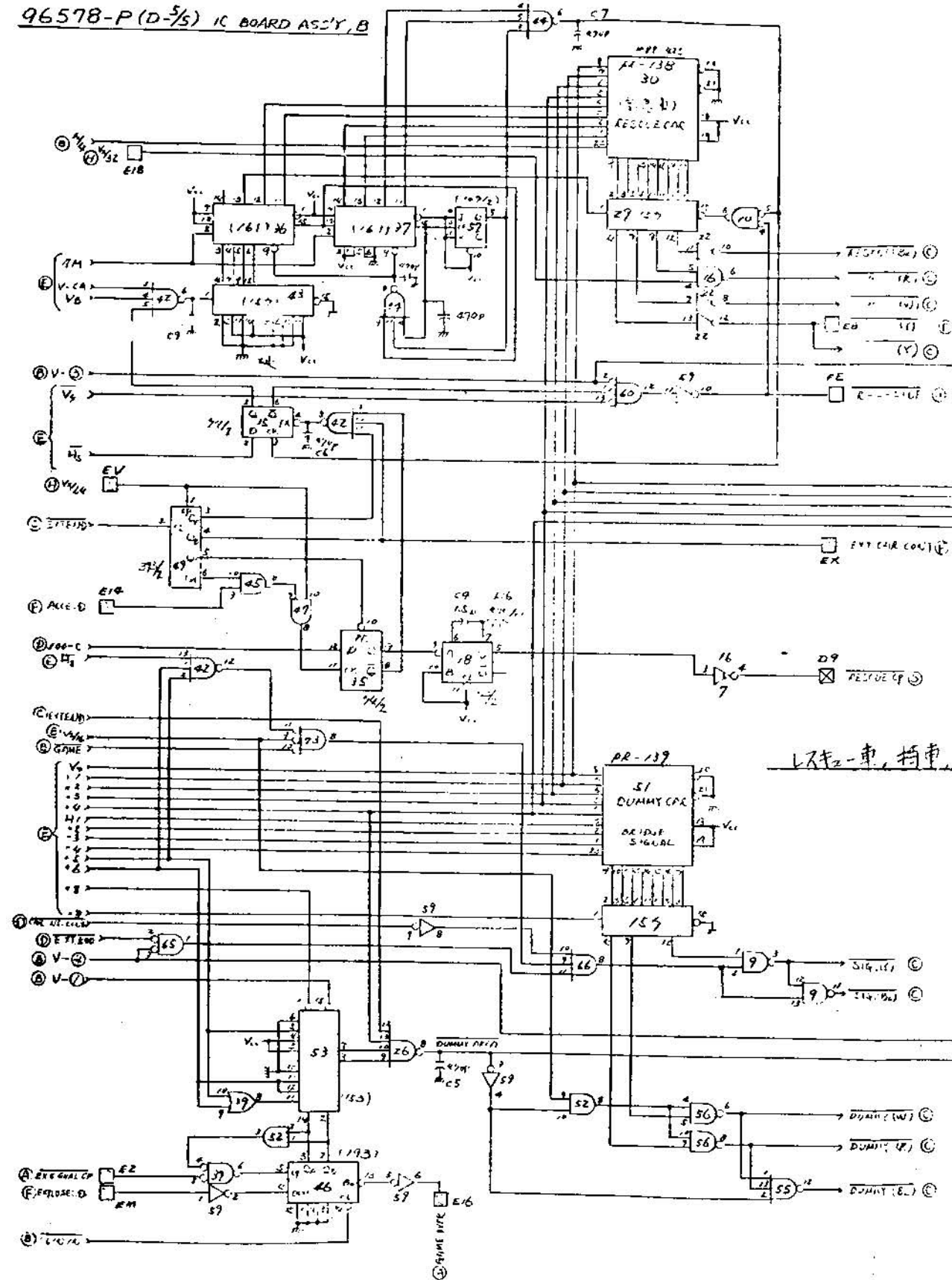
MONACO GP 96578-P (2-1/3) IC BOARD ASSY, B

同期信号



このLOGIC内のICは
コネクタ E, F の近くに配
置して欲しい。

96578-P(D-5/5) IC BOARD ASSY, B



リスト-車, 持車, 橋の総称とコントロール

