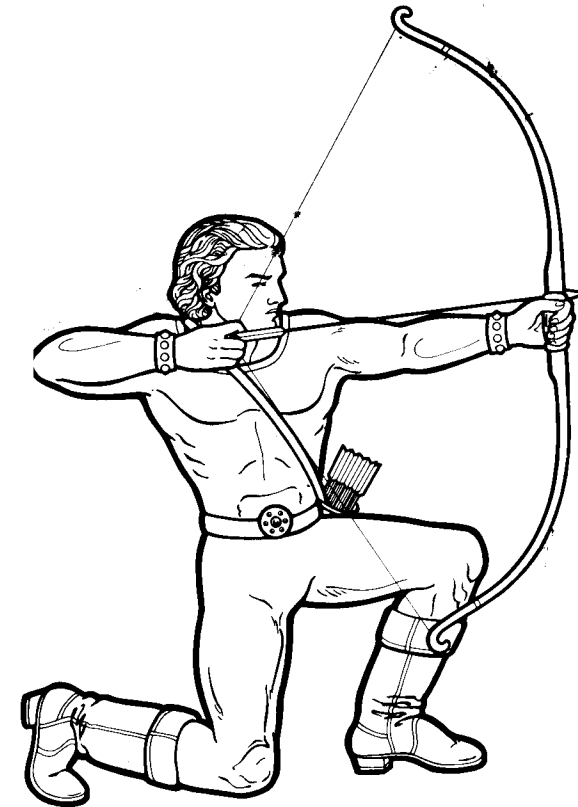


Table of Contents

Sheet 1A	Table of Contents
Sheet 1B	Millipede Main Wiring Diagram (039258-01 A)
Sheet 2A	Regulator/Audio II PCB Schematic Diagram (035435-02 F), Color Raster Power Supply Wiring Diagram (037669-01 C)
Sheet 2B	Coin-Door Wiring Diagram (A037542-01 D), Utility Panel Wiring Diagram (A038004-01 E), Fluorescent Light Wiring Diagram (035833-01 A), Coupler PCB Schematic (A035220-02 C)
<i>Game PCB Schematics (038874-XX B), Sheets 3A—7A</i>	
Sheet 3A	Memory Map and Schematic Notes
Sheet 3B	Power Input, Clock, Horizontal and Vertical Sync Chains
Sheet 4A	Power-On Reset, Watchdog, Microprocessor, and Address Decoders
Sheet 4B	Program Memory, -28 Volt Supply, and High-Score Table
Sheet 5A	Playfield Address Selectors, Playfield Memory, and Playfield Data
Sheet 5B	Motion Object Control, Picture Memory, Horizontal Position, and Line Buffer
Sheet 6A	Color Memory Address Selectors, Motion Object Color Selectors, Color Memory, and Color Output
Sheet 6B	Coin Door Input, Trak-Ball™ Input, Option Switch Input, Control Panel Input, and Joystick Input
Sheet 7A	Audio Output, Coin Counter & LED Output

NOTE
This staple temporarily holds the schematic package together. Remove the staple before using these schematics.



Schematic Package Supplement to

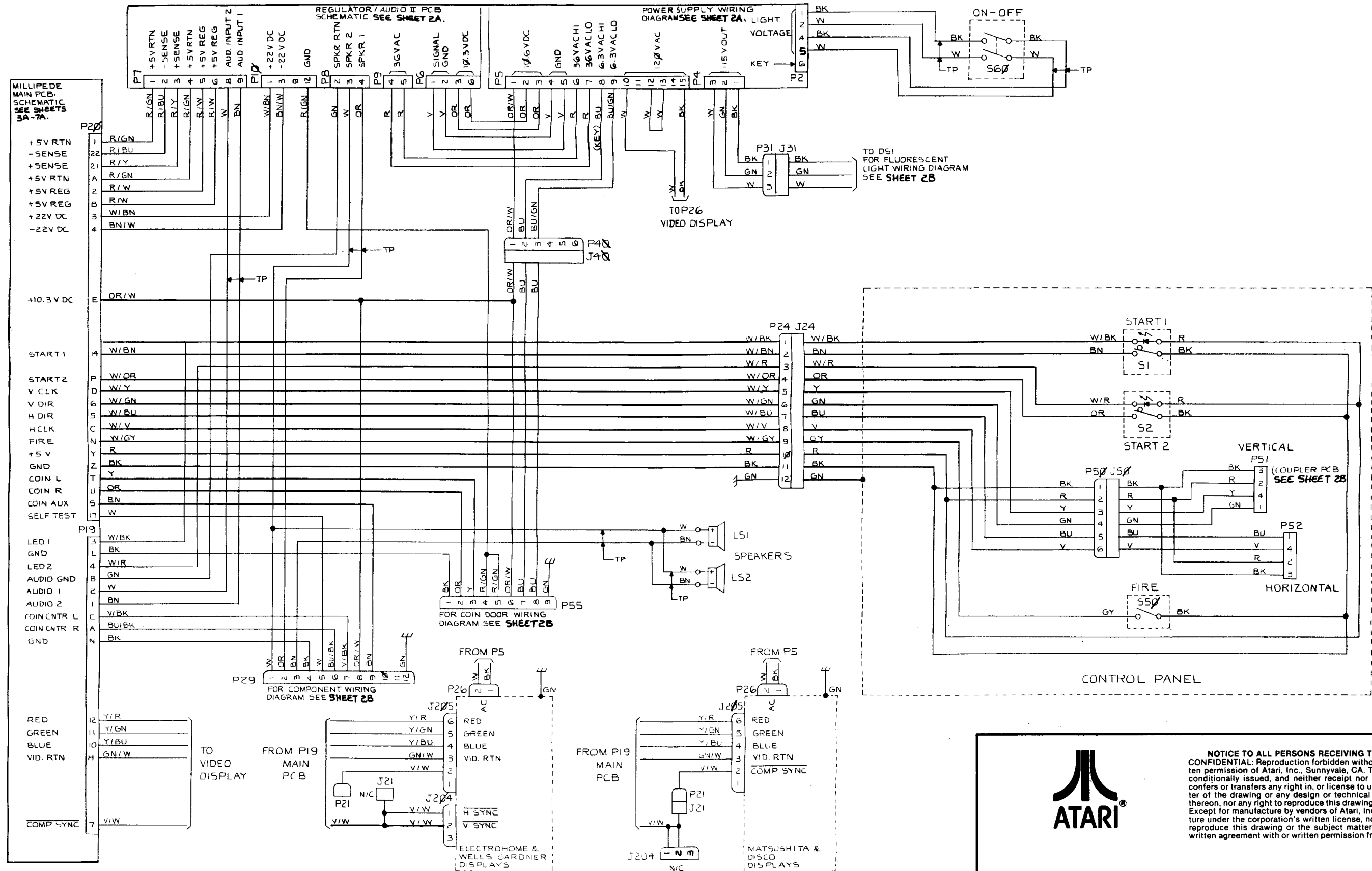
ATARI®
MILLIPEDE™

**Operation, Maintenance,
and Service Manual**

10 L

© ATARI INC. 1982

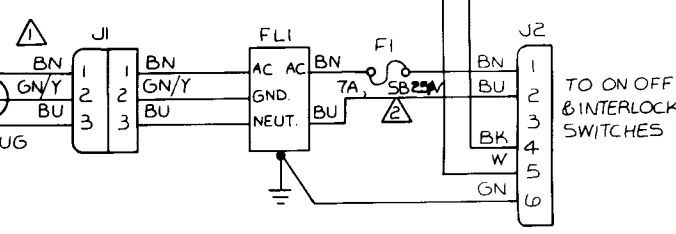
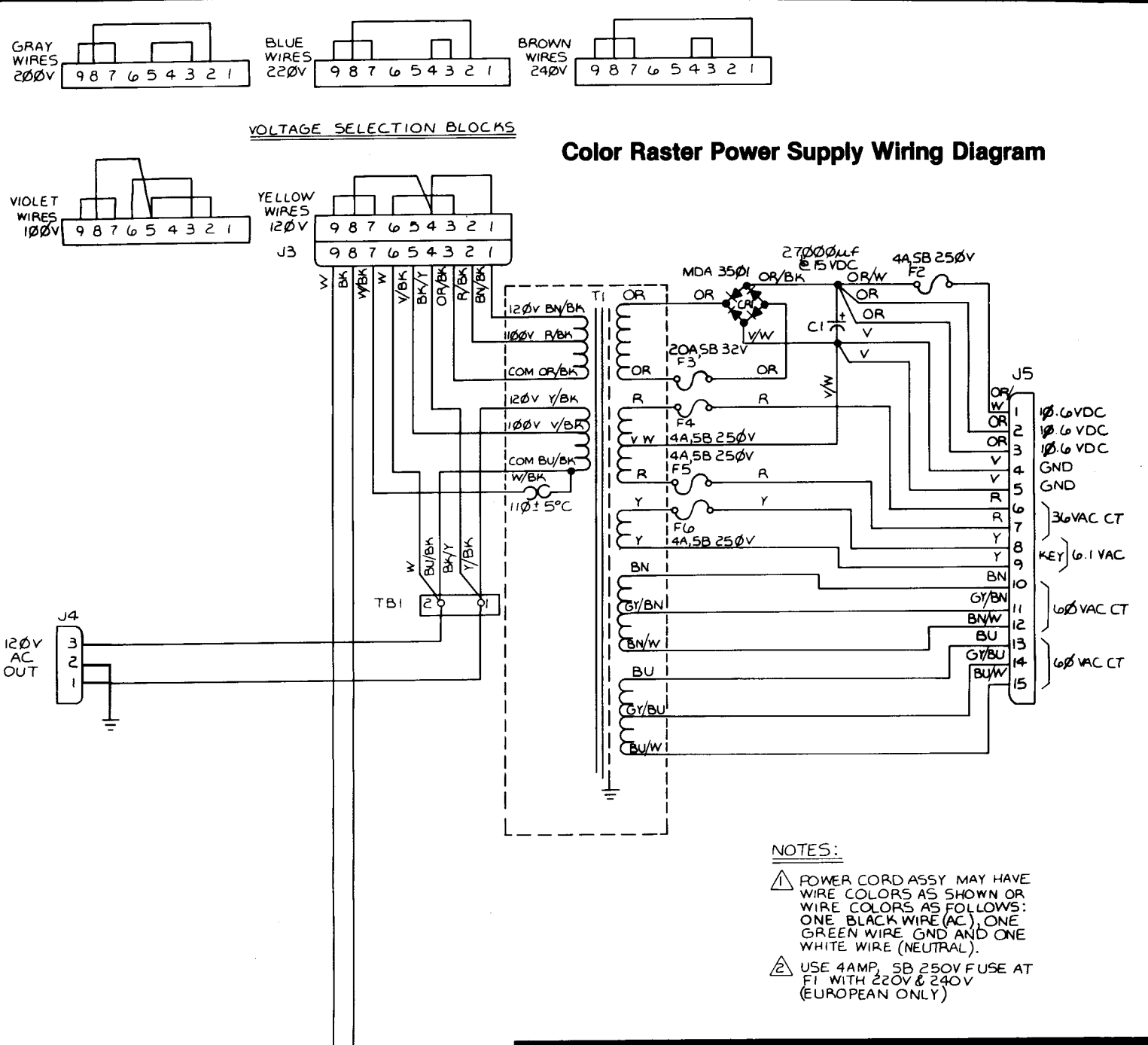
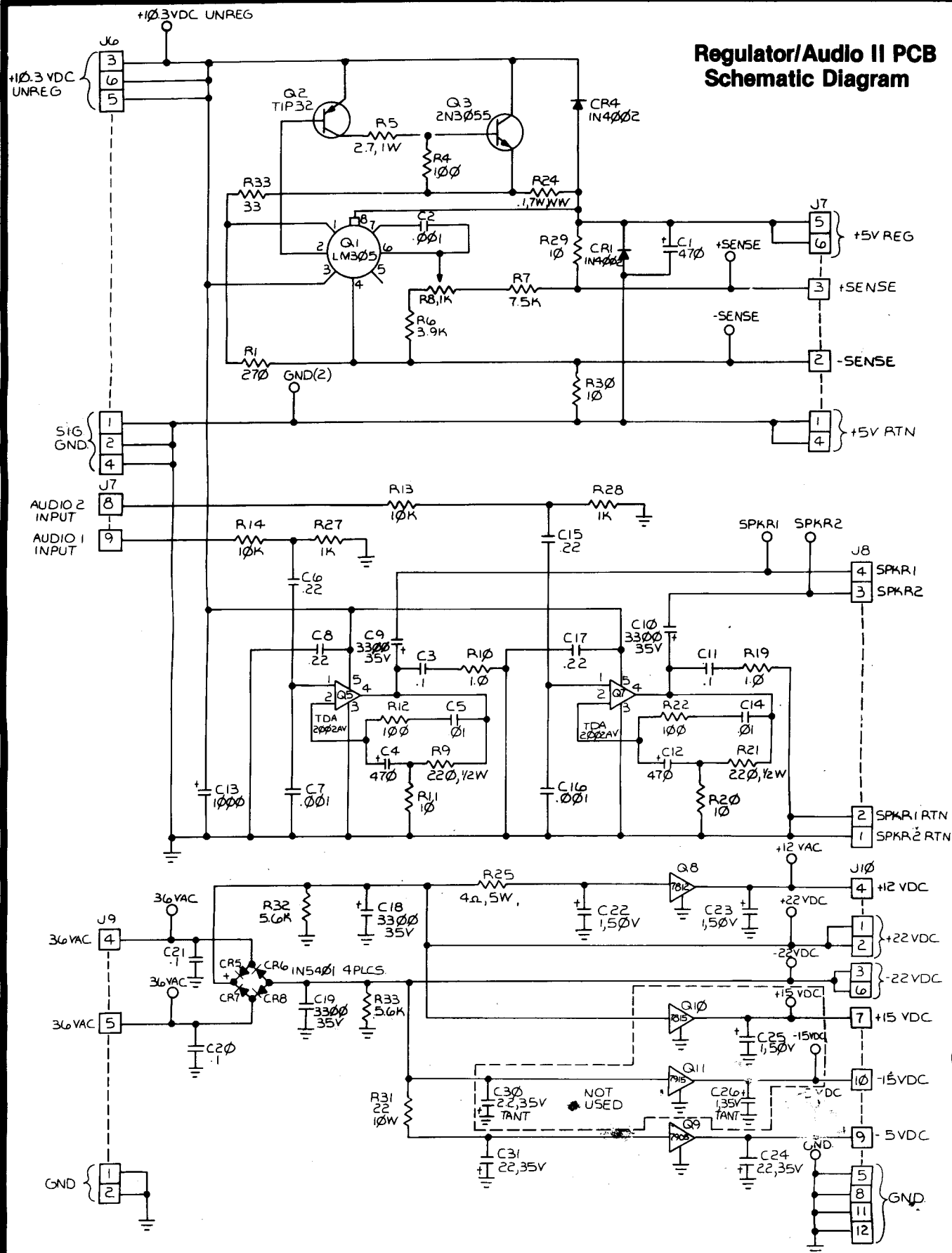
SP-217 Sheet 1A
1st printing




Millipede™ Main Wiring Diagram

© ATARI INC., 1982
 A Warner Communications Company

SP-217 Sheet 1B
 1st printing





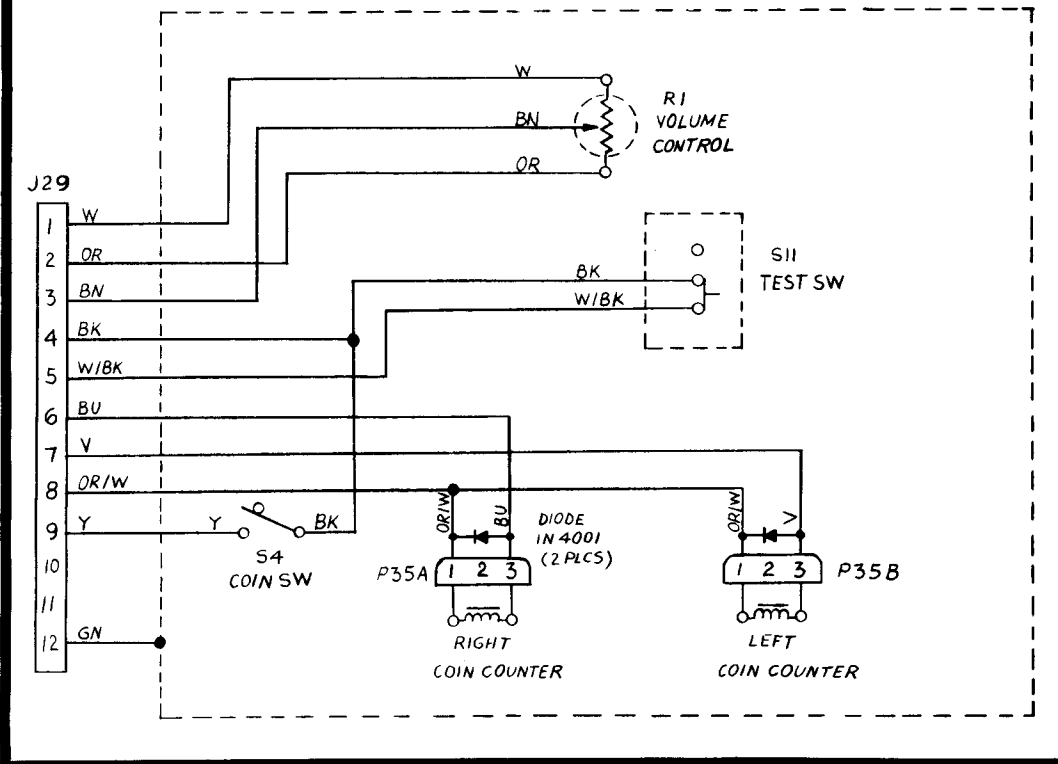
Millipede™ Reg./Audio II PCB and Power Supply Diagrams

© ATARI INC., 1982
A Warner Communications Company

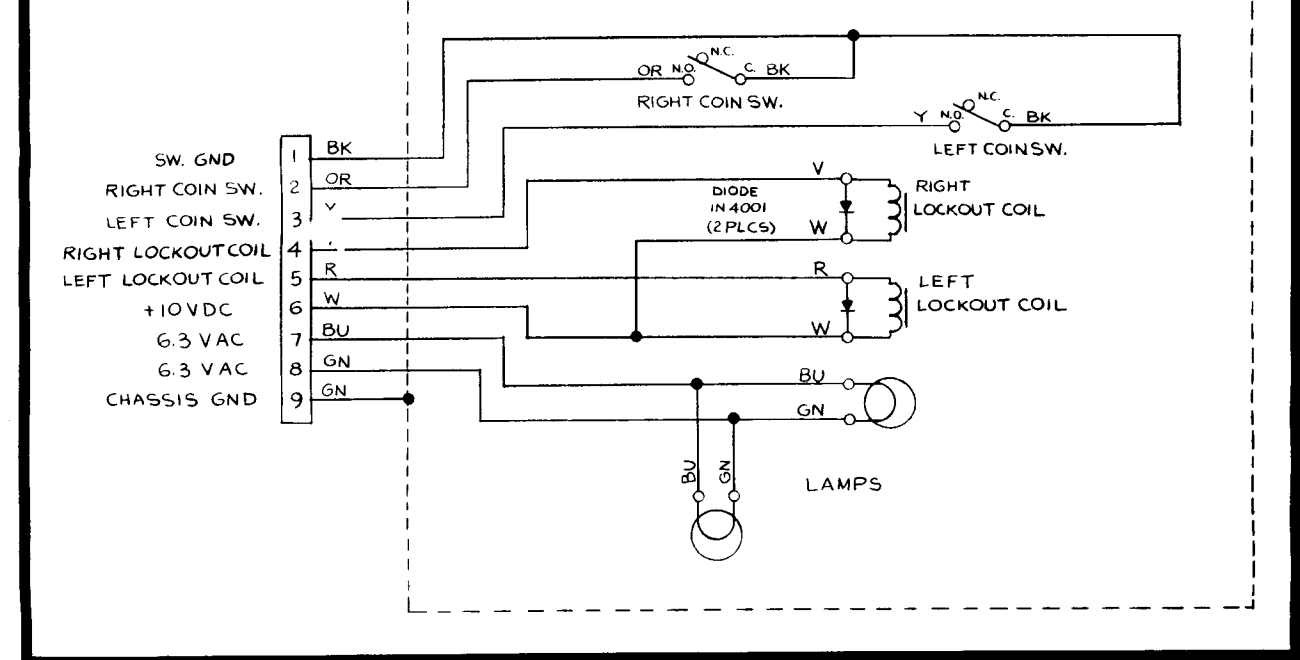
SP-217 Sheet 2A
1st printing

NOTICE TO ALL PERSONS RECEIVING THIS DRAWING
CONFIDENTIAL: Reproduction forbidden without the specific written permission of Atari, Inc., Sunnyvale, CA. This drawing is only conditionally issued, and neither receipt nor possession thereof confers or transfers any right in, or license to use, the subject matter of the drawing or any design or technical information shown thereon, nor any right to reproduce this drawing or any part thereof. Except for manufacture by vendors of Atari, Inc., and for manufacture under the corporation's written license, no right is granted to reproduce this drawing or the subject matter thereof, unless by written agreement with or written permission from the corporation.

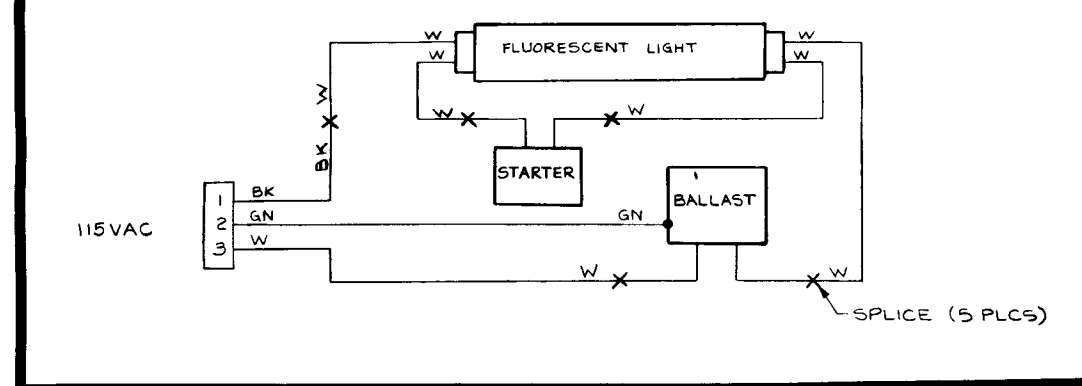
Utility Panel Wiring Diagram



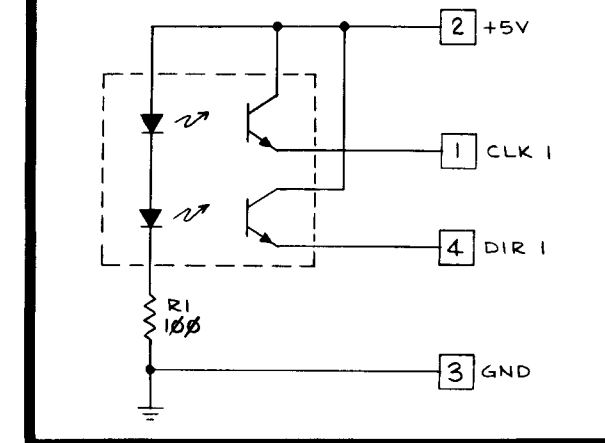
Coin Door Wiring Diagram



Fluorescent Light Wiring Diagram



Coupler PCB Schematic



NOTICE TO ALL PERSONS RECEIVING THIS DRAWING
 CONFIDENTIAL: Reproduction forbidden without the specific written permission of Atari, Inc., Sunnyvale, CA. This drawing is only conditionally issued, and neither receipt nor possession thereof confers or transfers any right in, or license to use, the subject matter of the drawing or any design or technical information shown thereon, nor any right to reproduce this drawing or any part thereof. Except for manufacture by vendors of Atari, Inc., and for manufacture under the corporation's written license, no right is granted to reproduce this drawing or the subject matter thereof, unless by written agreement with or written permission from the corporation.

Millipede™ Game Wiring Interfaces

© ATARI INC., 1982
 A Warner Communications Company

SP-217 Sheet 2B
 1st printing

MEMORY MAP

HEXA-DECIMAL ADDRESS	ADDRESS BUS SIGNAL LINES														R/W	DATA BUS SIGNAL LINES								FUNCTION		
	A14	A13	A12	A11	A10	A9	A8	A7	A6	A5	A4	A3	A2	A1		A0	D7	D6	D5	D4	D3	D2	D1		D0	
0000-03FF	0	0	0	0	0	A	A	A	A	A	A	A	A	A	A		D	D	D	D	D	D	D	D	D	RAM
0400-0410 0408	0	0	0	0	1							A	A	A	A	R	D	D	D	D	D	D	D	D	D	I/O S0 OPTION SWITCH 0
0800-0810 0808	0	0	0	1	0							A	A	A	A	R	D	D	D	D	D	D	D	D	D	I/O S1 OPTION SWITCH 1
1000-13BF 13C0-13CF 13D0-13DF 13E0-13EF 13F0-13FF	0	0	1			A	A	A	A	A	A	A	A	A	A		D	D	D	D	D	D	D	D	D	PLAYFIELD RAM MOTION OBJECT PICTURE MOTION OBJECT VERTICAL MOTION OBJECT HORIZONTAL MOTION OBJECT COLOR
2000	0	1	0	0	0				0	0					0		D									TRACKBALL HORIZ DIR VBLANK START 1 SWITCH FIRE 1 SWITCH TRACKBALL HORIZ COUNT OPTION SWITCH 2
2001	0	1	0	0	0				0	0					1		D									TRACKBALL VERT DIR START 2 SWITCH FIRE 2 SWITCH TRACKBALL VERT COUNT OPTION SWITCH 2
2010	0	1	0	0	0				0	1					0		D	D								COIN SWITCHES SLAM SWITCH JOYSTICK POSITIONS
2011	0	1	0	0	0				0	1					1		D									SELF-TEST SWITCH CABINET SELECT
2030	0	1	0	0	0				1	1							D	D	D	D	D	D	D	D	D	EAROMRD.
2480-248F 2490-249F	0	1	0	0	1	0	0	1			0	A	A	A	A	W	D	D	D	D	D	D	D	D	D	STAMP COLOR RAM MOTION OBJECT COLOR RAM
2501	0	1	0	0	1	0	1	0				0	0	1		W	D									COIN CNTR L
2502	0	1	0	0	1	0	1	0				0	1	0		W	D									COIN CNTR R
2503	0	1	0	0	1	0	1	0				0	1	1		W	D									START LED 1
2504	0	1	0	0	1	0	1	0				1	0	0		W	D									START LED 2
2505	0	1	0	0	1	0	1	0				1	0	1		W	D									TRACKBALL ENABLE (TBEN)
2506	0	1	0	0	1	0	1	0				1	1	0		W	D									VIDEO ROTATE (VIDROT)
2507	0	1	0	0	1	0	1	0				1	1	1		W	D									CONTROL SELECT (CNTRLSEL)
2600	0	1	0	0	1	1	0	0								W										IRQRES
2680	0	1	0	0	1	1	0	1								W										WATCHDOG
2700	0	1	0	0	1	1	1	0								W				D	D	D	D			EAROMCON
2780	0	1	0	0	1	1	1	1								W	D	D	D	D	D	D	D			EAROMWR
300-3FFF 400-7FFF	0	1	1	A	A	A	A	A	A	A	A	A	A	A	A	R	D	D	D	D	D	D	D	D	D	ROM (NOT USED) ROM

Schematic Reference Designators and Symbols

Logic symbols depict the logic function performed by that particular device and may differ from the manufacturer's data.

REFERENCE DESIGNATORS:

- C** Capacitor
- CR** Diode, signal or rectifier
- F** Fuse
- J** Connector
- L** Inductor, fixed or variable
- LS** Speaker
- P** Connector
- Q** Transistor or silicon-controlled rectifier
- R** Resistor, fixed or variable
- S** Switch
- T** Transformer
- TP** Twisted wire pair
- VR** Voltage regulator
- Y** Crystal

WIRE COLORS:

- R** Red
- GN** Green
- Y** Yellow
- W** White
- BU** Blue
- BN** Brown
- BK** Black
- OR** Orange
- V** Violet
- GY** Gray

Electrical components shown on the schematic diagrams are in the following units unless otherwise noted:

- Capacitors = microfarads (μ f)
- Resistors = ohms (Ω)
- Inductors = microhenrys (μ h)

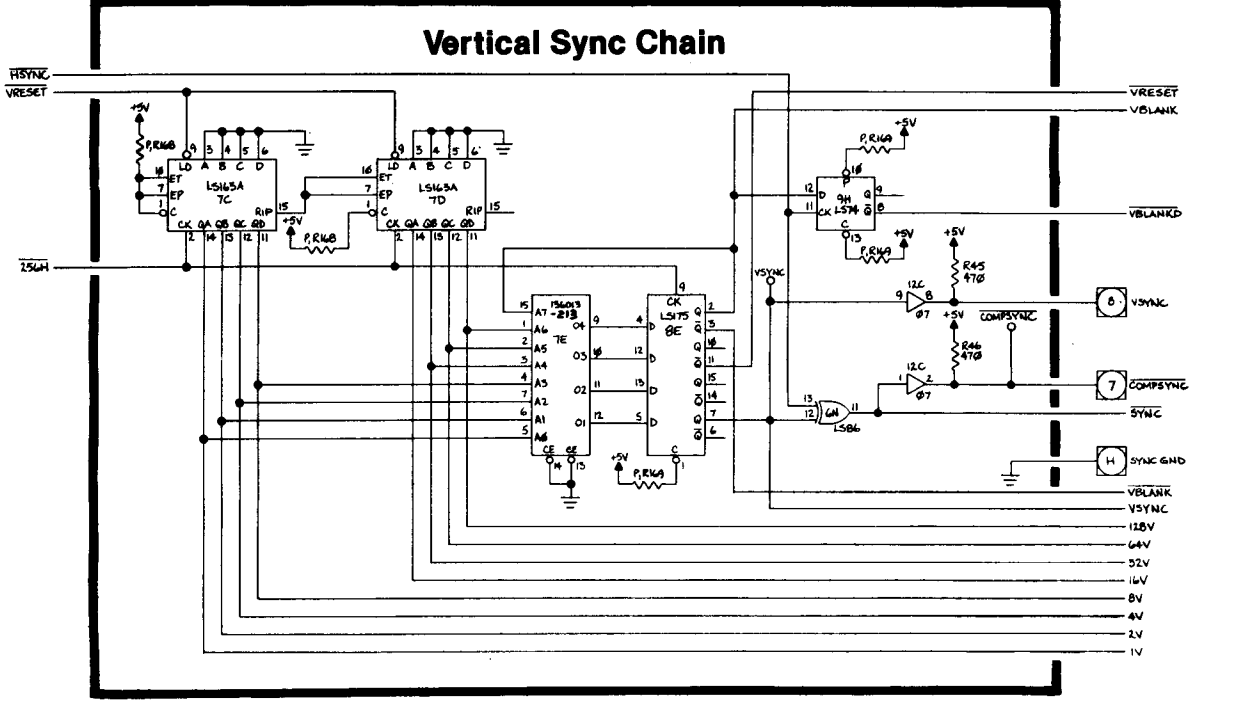
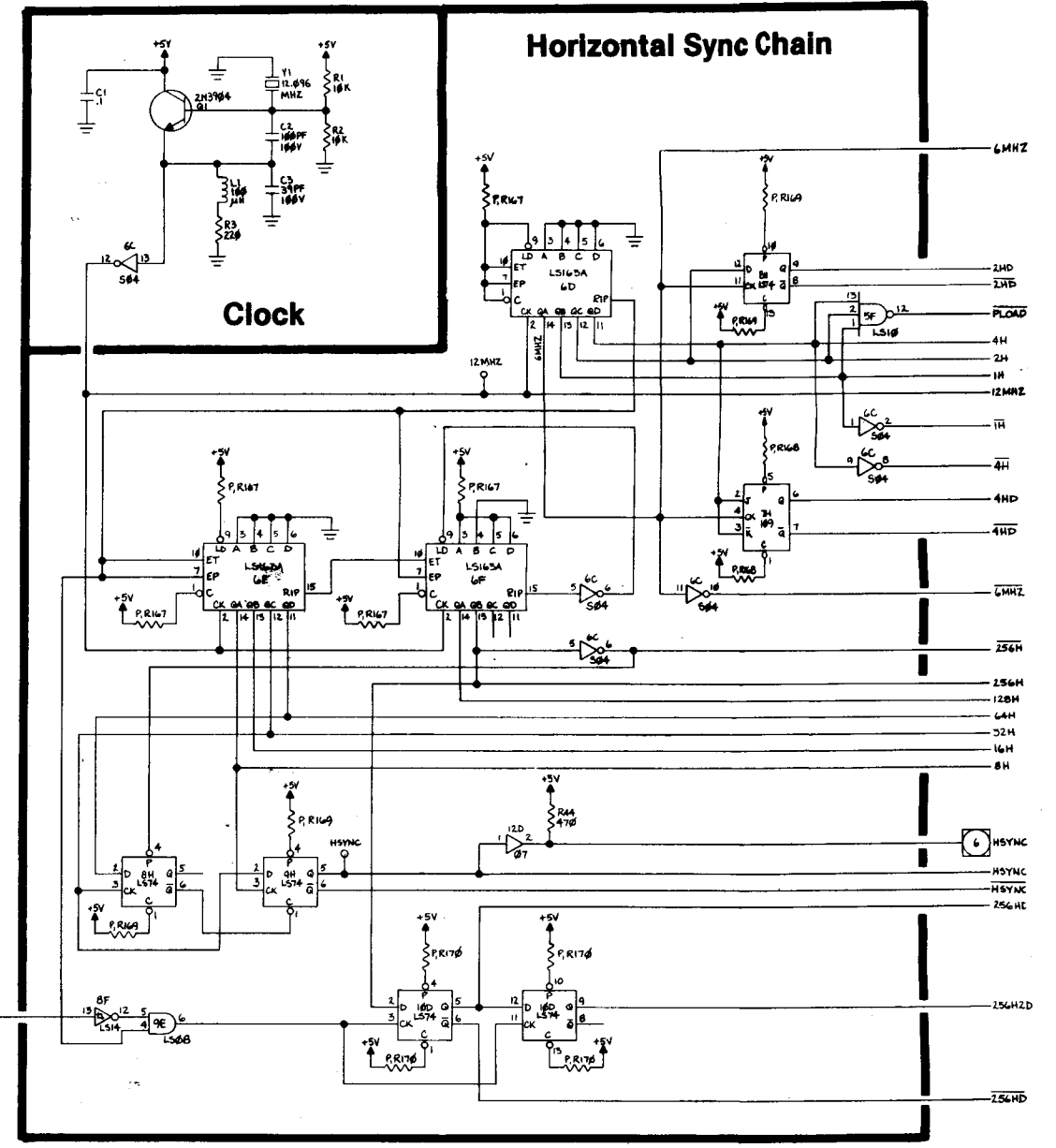
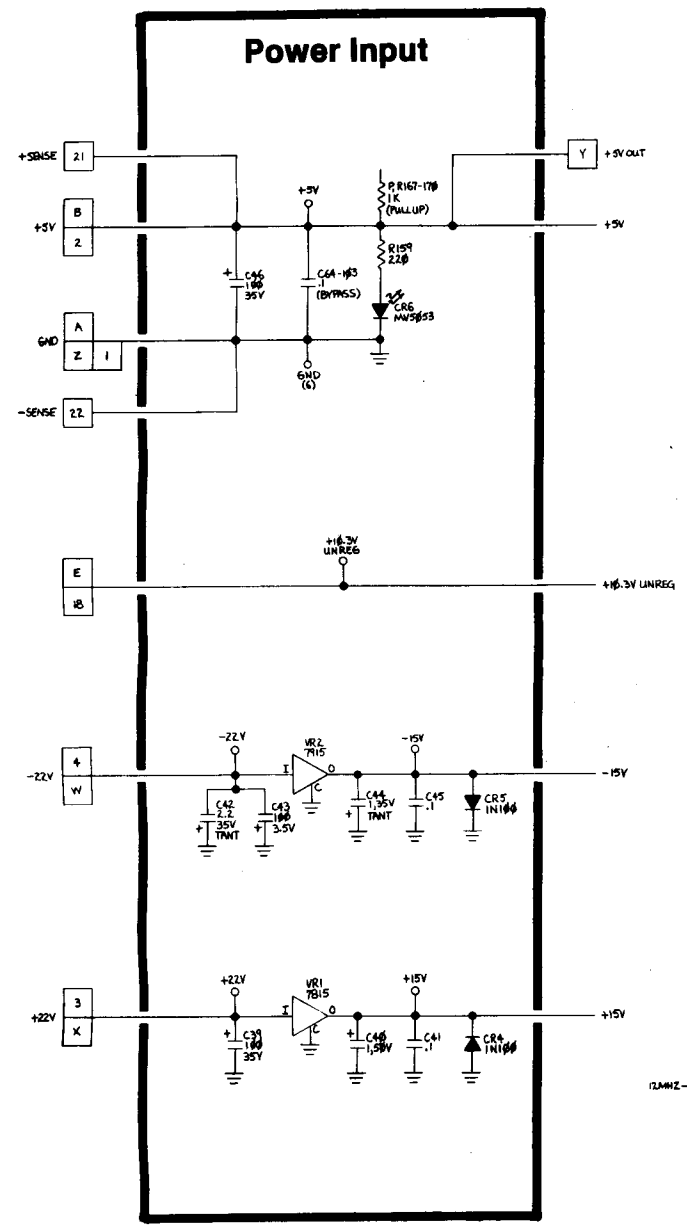
SYMBOLS:

- Ground
- PCB edge connector pad
- Test Point
- PCB test connector pad



NOTICE TO ALL PERSONS RECEIVING THIS DRAWING
 CONFIDENTIAL: Reproduction forbidden without the specific written permission of Atari, Inc., Sunnyvale, CA. This drawing is only conditionally issued, and neither receipt nor possession thereof confers or transfers any right in, or license to use, the subject matter of the drawing or any design or technical information shown thereon, nor any right to reproduce this drawing or any part thereof. Except for manufacture by vendors of Atari, Inc., and for manufacture under the corporation's written license, no right is granted to reproduce this drawing or the subject matter thereof, unless by written agreement with or written permission from the corporation.

Millipede™ Memory Map and Schematic Notes



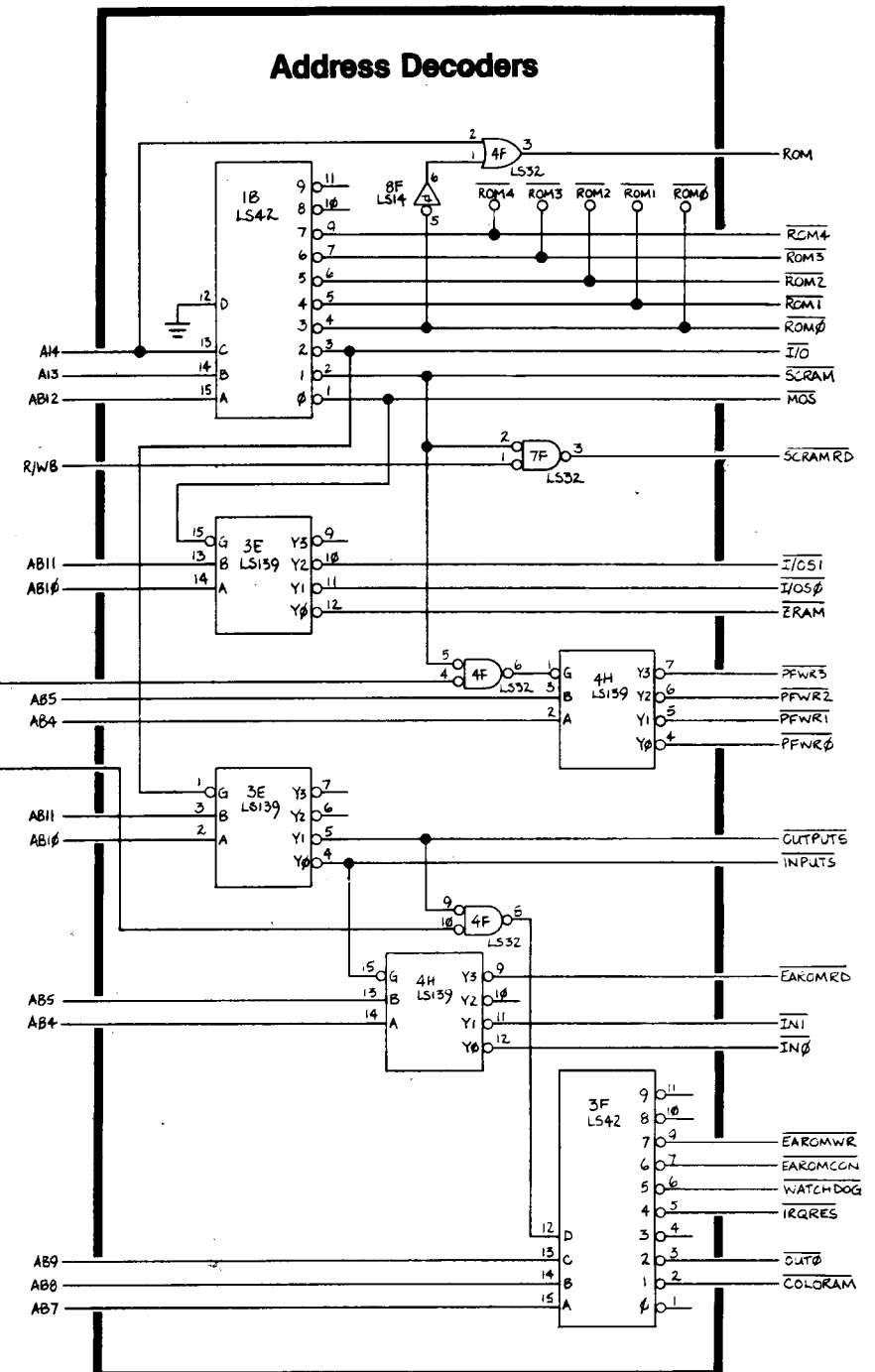
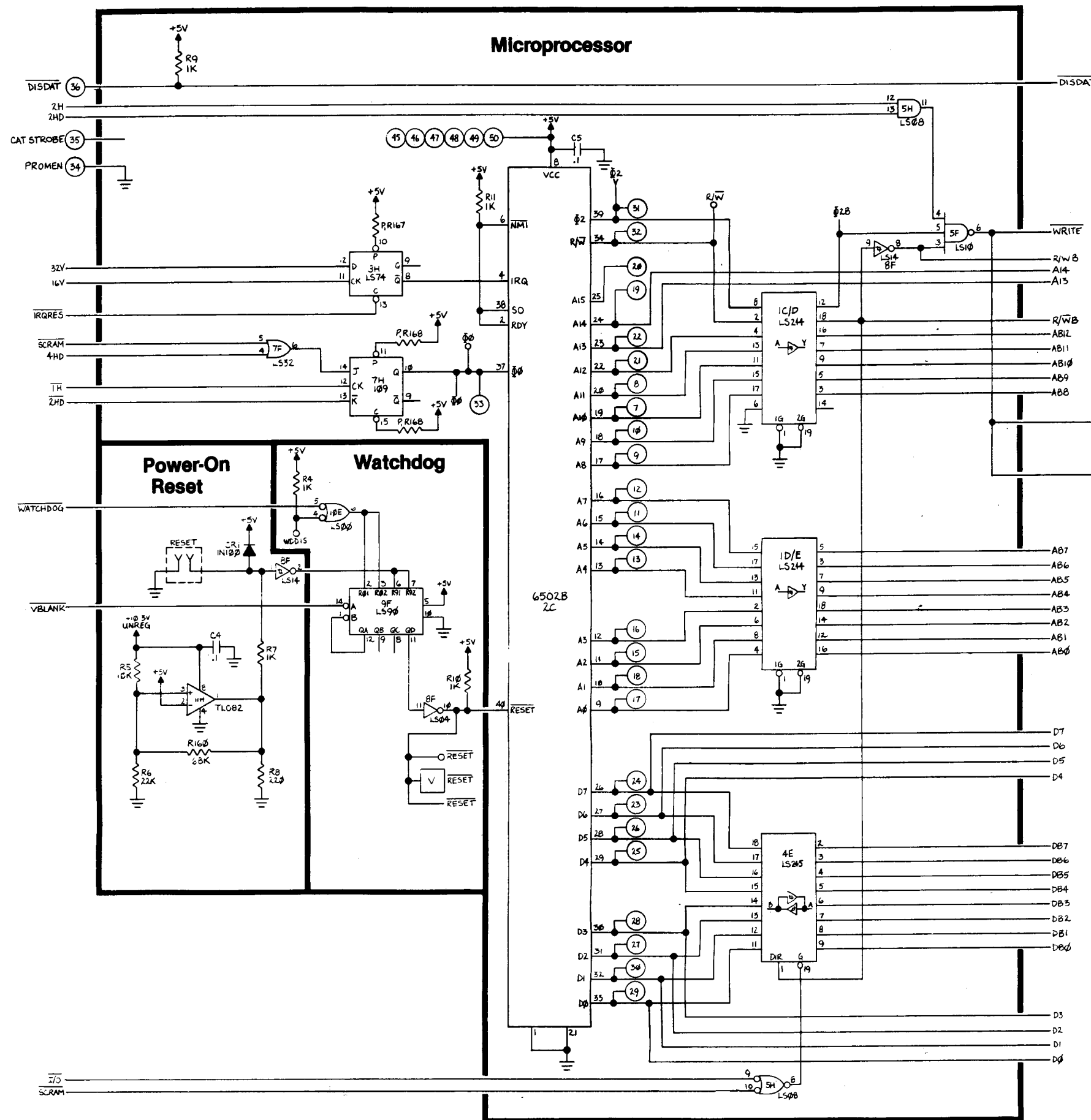
ATARI


Millipede™ PCB Schematic Diagram

© ATARI INC., 1982
A Warner Communications Company

NOTICE TO ALL PERSONS RECEIVING THIS DRAWING
CONFIDENTIAL: Reproduction forbidden without the specific written permission of Atari, Inc., Sunnyvale, CA. This drawing is only conditionally issued, and neither receipt nor possession thereof confers or transfers any right in, or license to use, the subject matter of the drawing or any design or technical information shown thereon, nor any right to reproduce this drawing or any part thereof. Except for manufacture by vendors of Atari, Inc., and for manufacture under the corporation's written license, no right is granted to reproduce this drawing or the subject matter thereof, unless by written agreement with or written permission from the corporation.

SP-217 Sheet 3B
1st printing





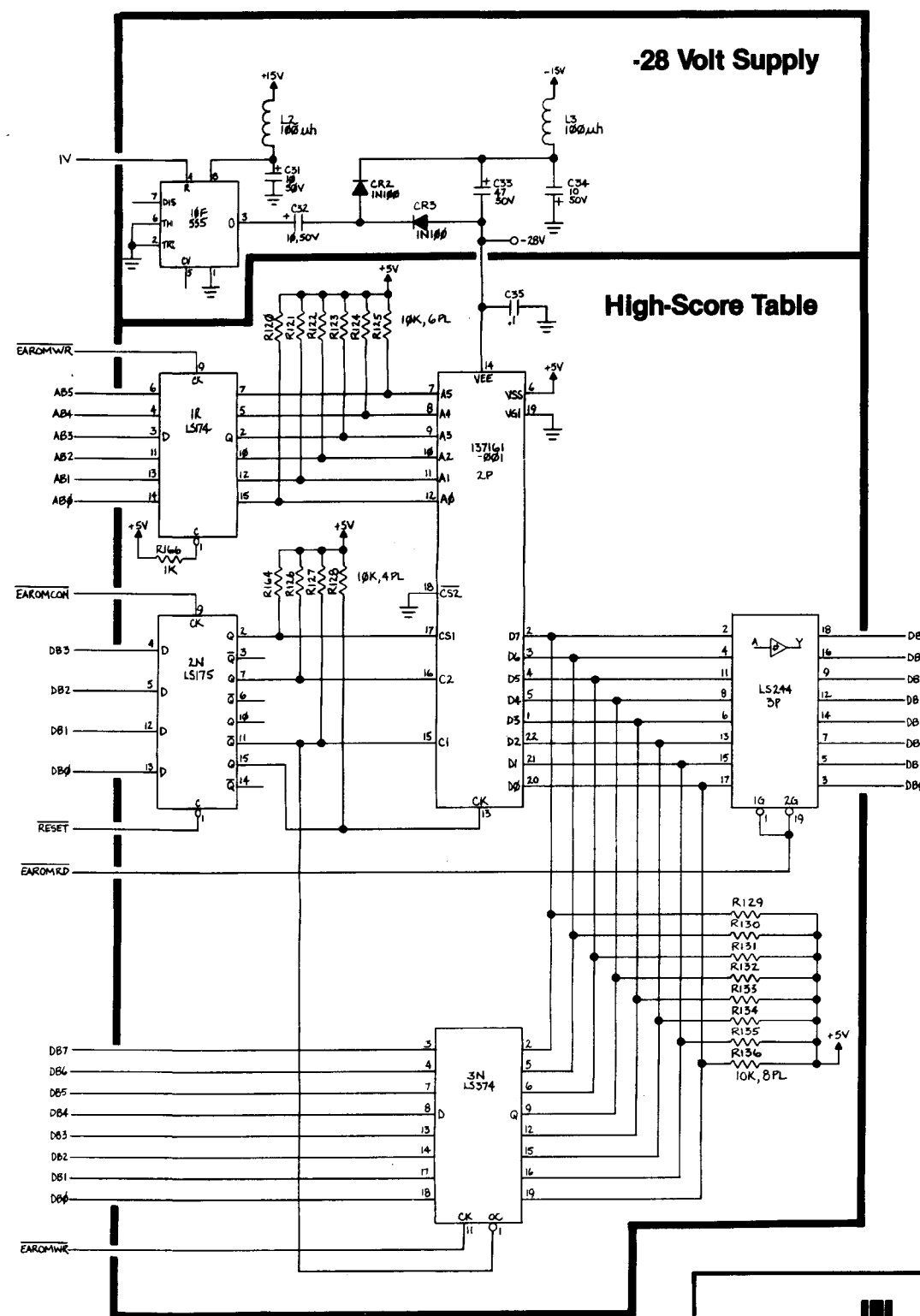
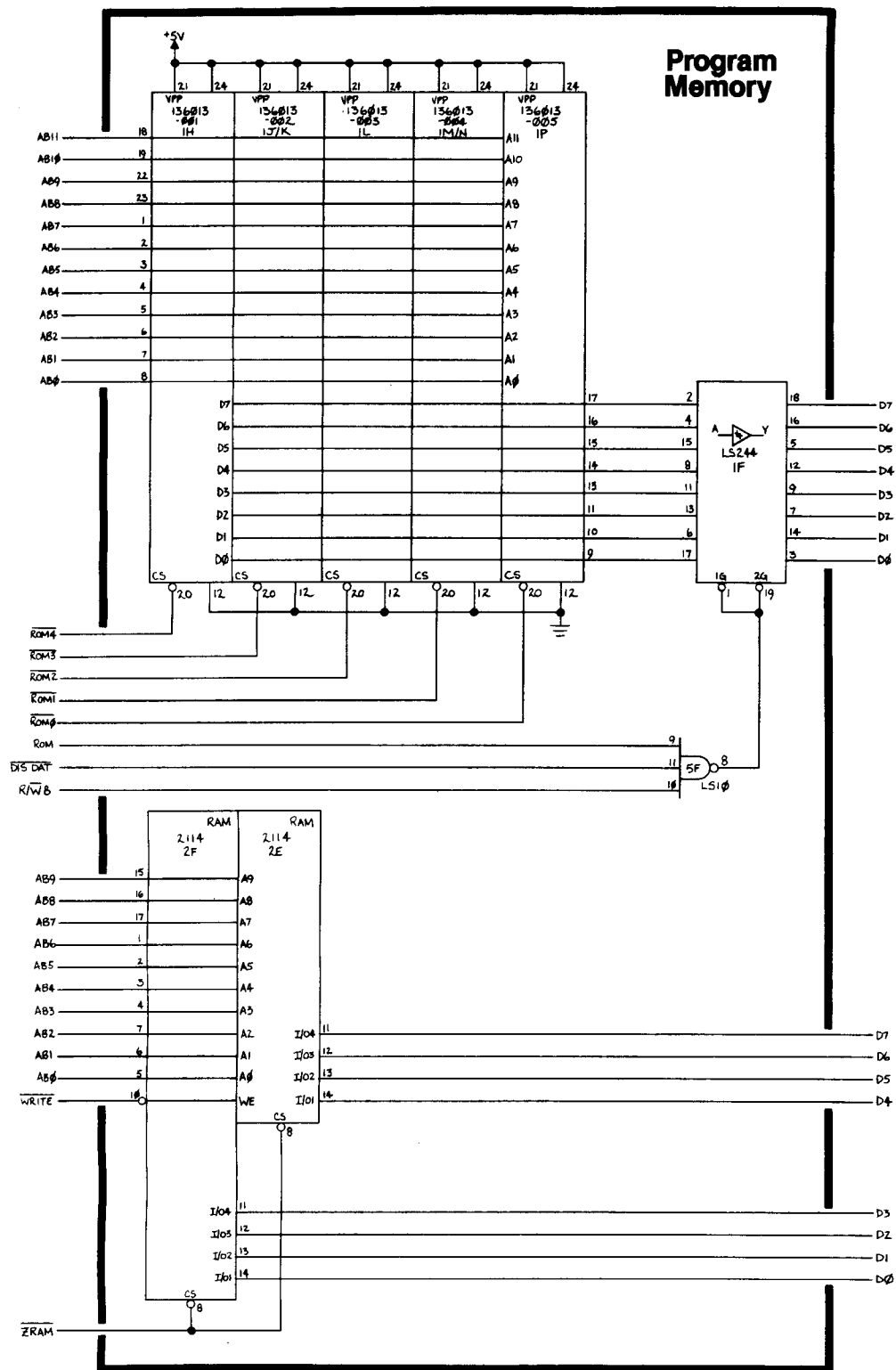
ATARI

Millipede™ PCB Schematic Diagram

© ATARI INC., 1982
A Warner Communications Company

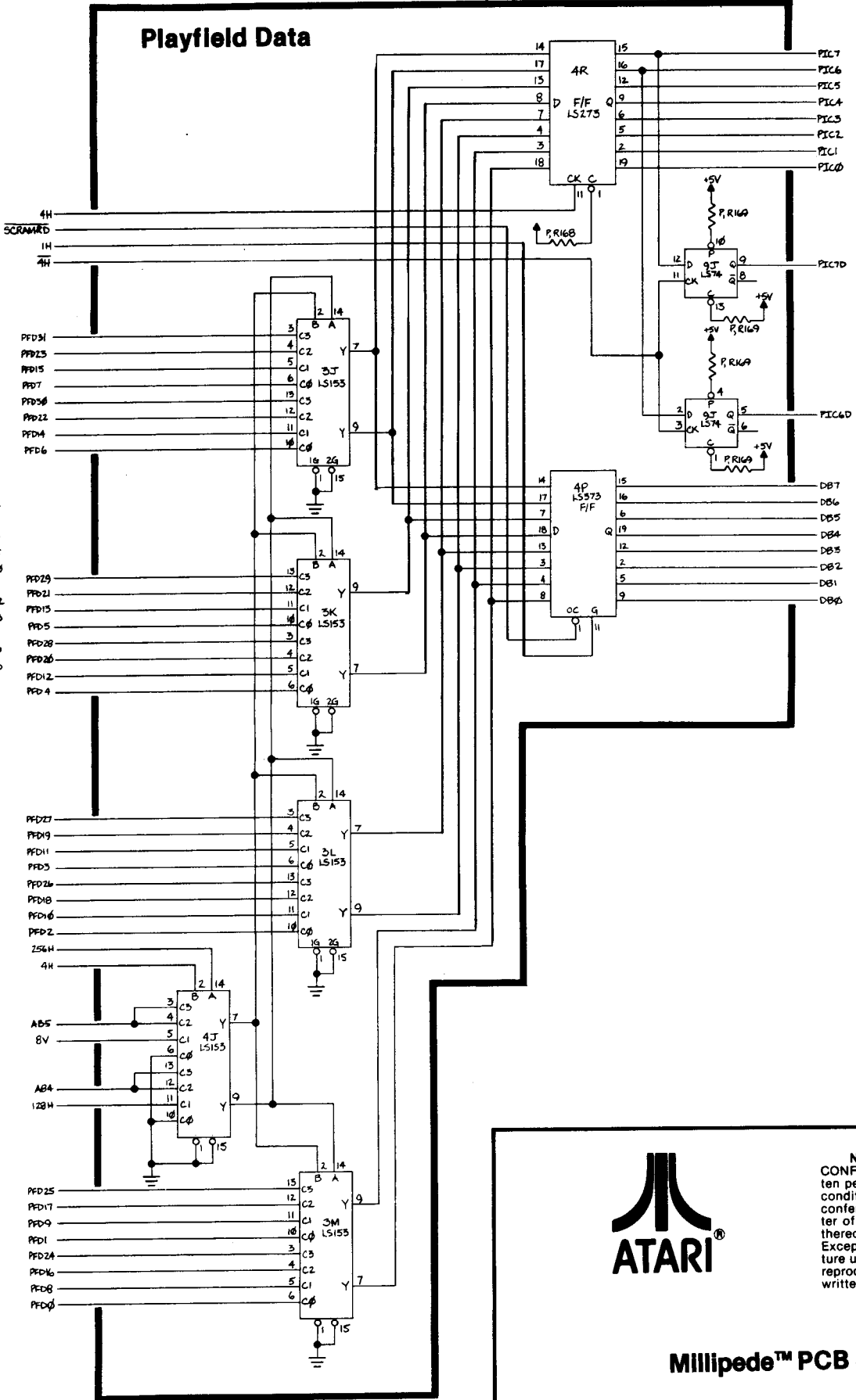
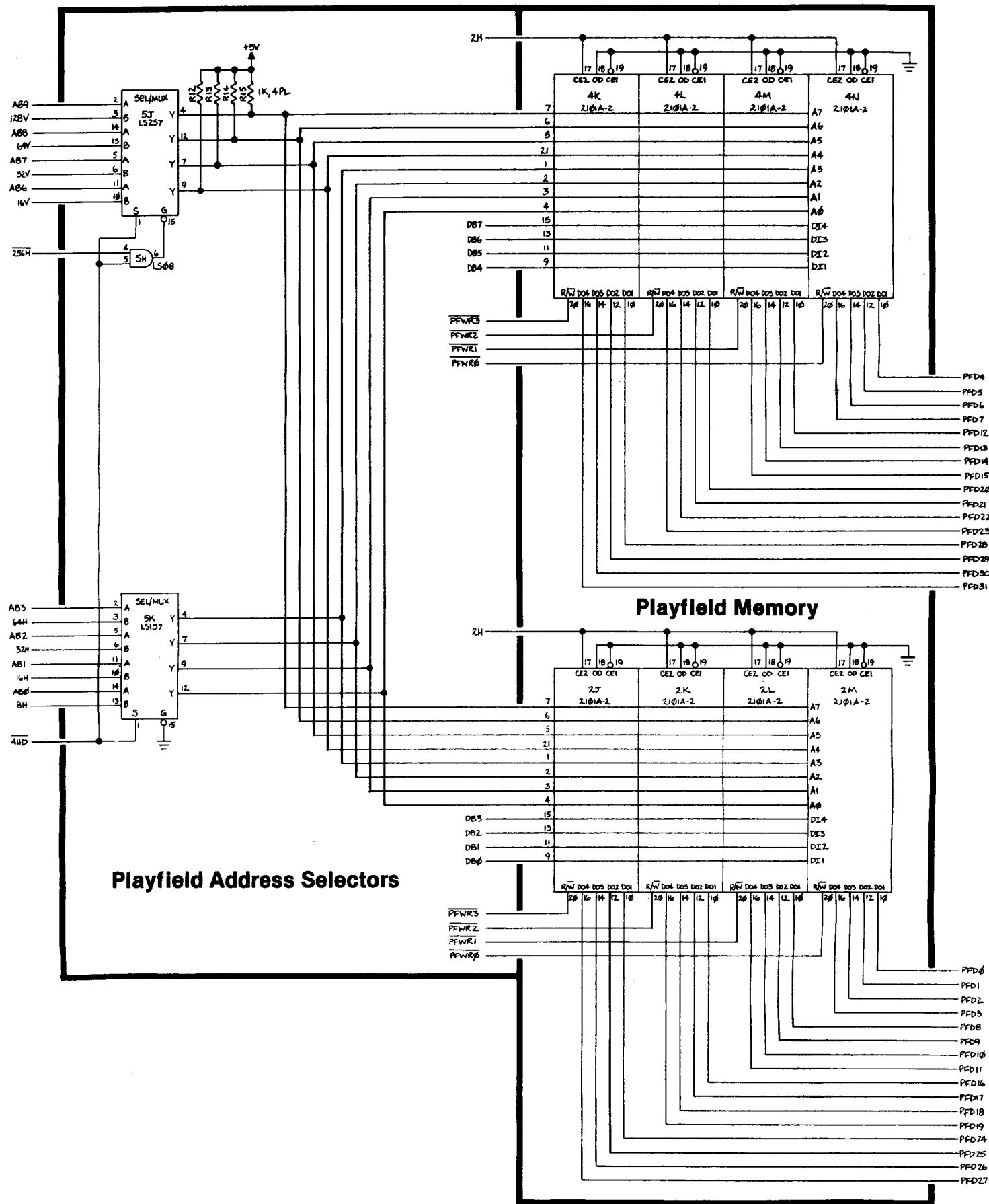
SP-217 Sheet 4A
1st printing

NOTICE TO ALL PERSONS RECEIVING THIS DRAWING
 CONFIDENTIAL: Reproduction forbidden without the specific written permission of Atari, Inc., Sunnyvale, CA. This drawing is only conditionally issued, and neither receipt nor possession thereof confers or transfers any right in, or license to use, the subject matter of the drawing or any design or technical information shown thereon, nor any right to reproduce this drawing or any part thereof. Except for manufacture by vendors of Atari, Inc., and for manufacture under the corporation's written license, no right is granted to reproduce this drawing or the subject matter thereof, unless by written agreement with or written permission from the corporation.



NOTICE TO ALL PERSONS RECEIVING THIS DRAWING
 CONFIDENTIAL: Reproduction forbidden without the specific written permission of Atari, Inc., Sunnyvale, CA. This drawing is only conditionally issued, and neither receipt nor possession thereof confers or transfers any right in, or license to use, the subject matter of the drawing or any design or technical information shown thereon, nor any right to reproduce this drawing or any part thereof. Except for manufacture by vendors of Atari, Inc., and for manufacture under the corporation's written license, no right is granted to reproduce this drawing or the subject matter thereof, unless by written agreement with or written permission from the corporation.

Millipede™ PCB Schematic Diagram



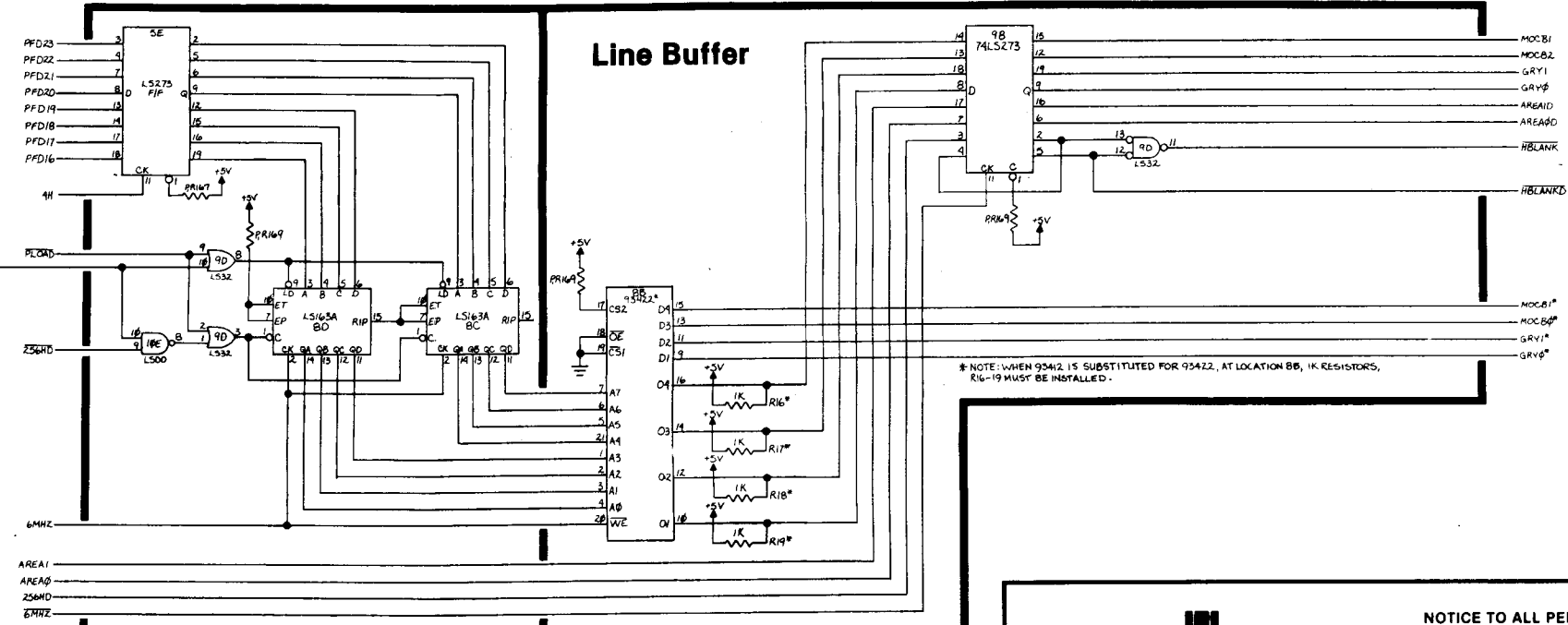
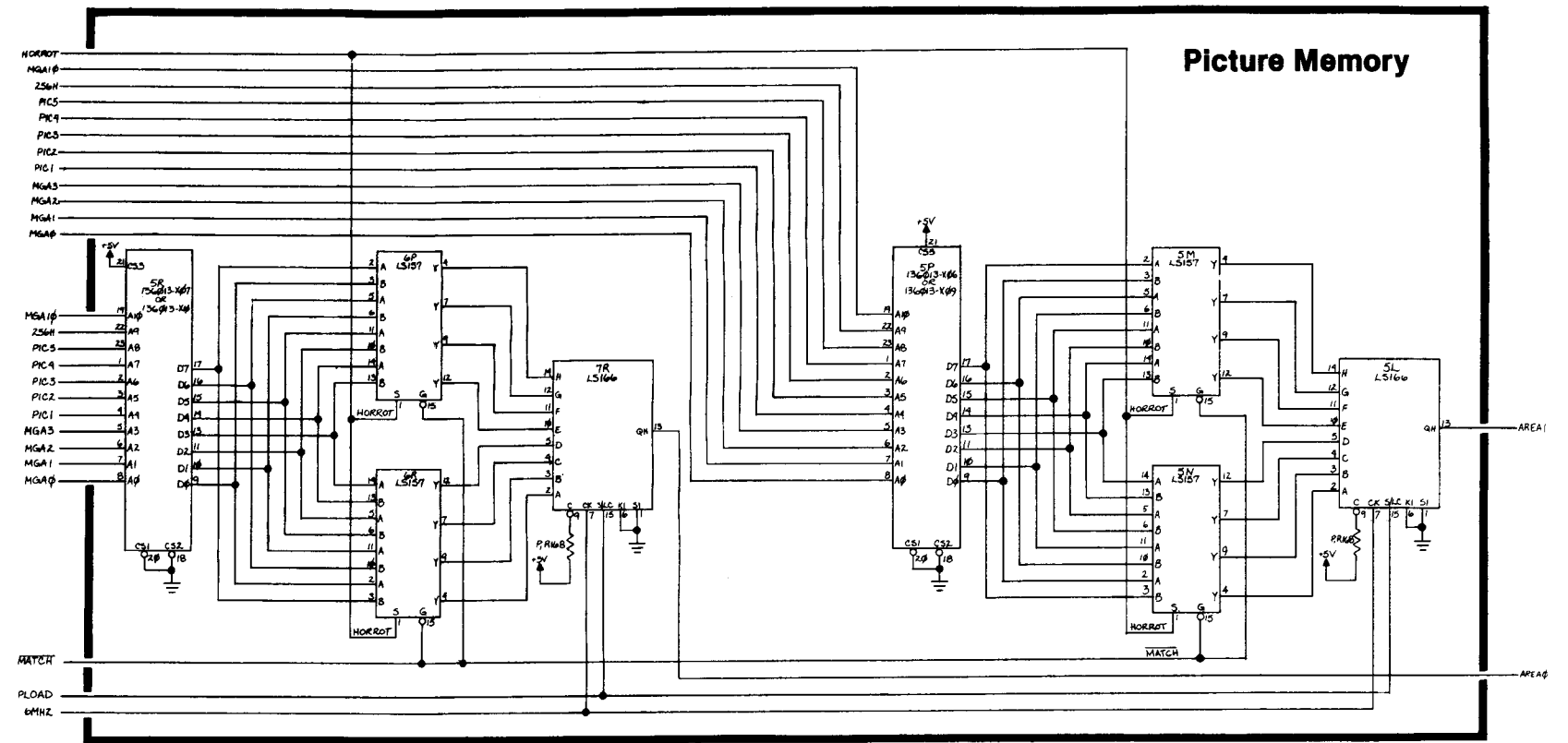
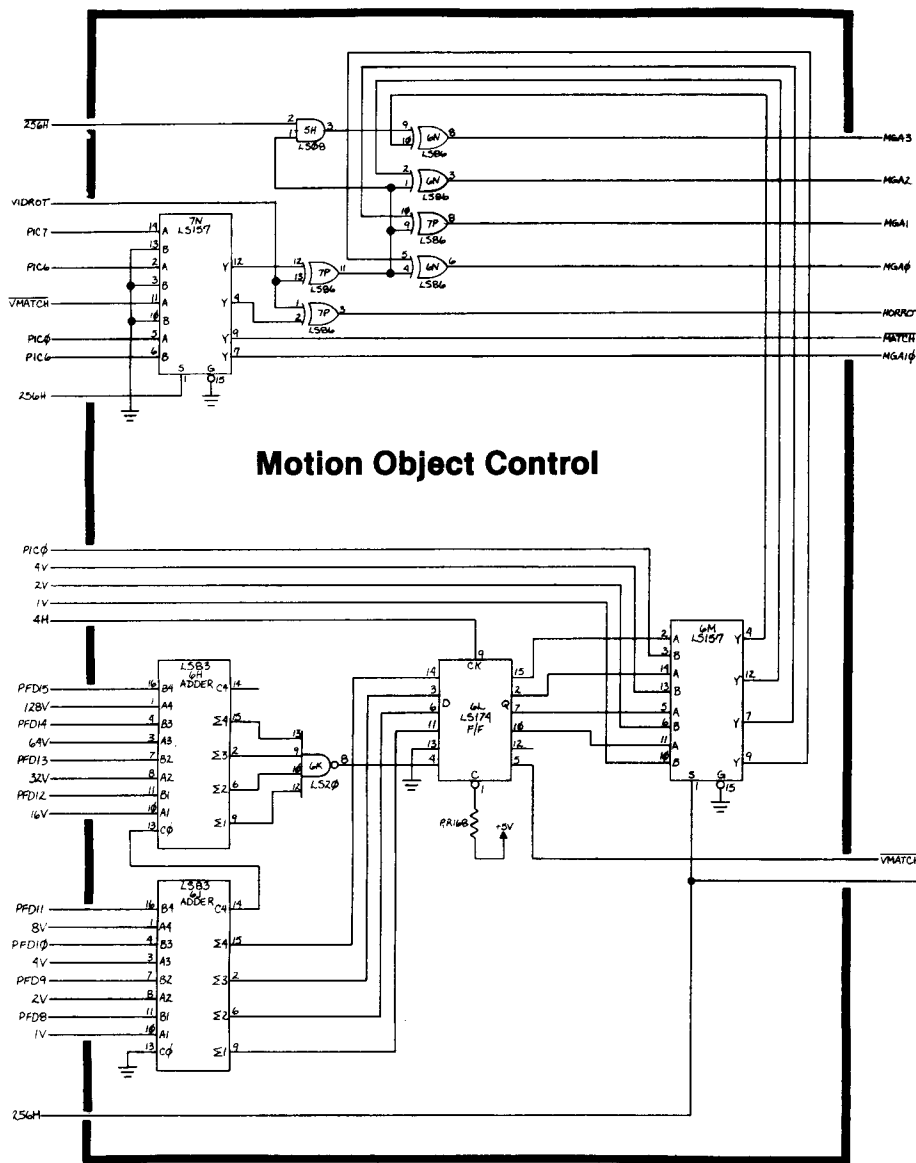
ATARI

Millipede™ PCB Schematic Diagram

© ATARI INC., 1982
A Warner Communications Company

NOTICE TO ALL PERSONS RECEIVING THIS DRAWING
CONFIDENTIAL: Reproduction forbidden without the specific written permission of Atari, Inc., Sunnyvale, CA. This drawing is only conditionally issued, and neither receipt nor possession thereof confers or transfers any right in, or license to use, the subject matter of the drawing or any design or technical information shown thereon, nor any right to reproduce this drawing or any part thereof. Except for manufacture by vendors of Atari, Inc., and for manufacture under the corporation's written license, no right is granted to reproduce this drawing or the subject matter thereof, unless by written agreement with or written permission from the corporation.

SP-217 Sheet 5A
1st printing



* NOTE: WHEN 9341Z IS SUBSTITUTED FOR 9342Z, AT LOCATION B6, 1K RESISTORS, R16-19 MUST BE INSTALLED.

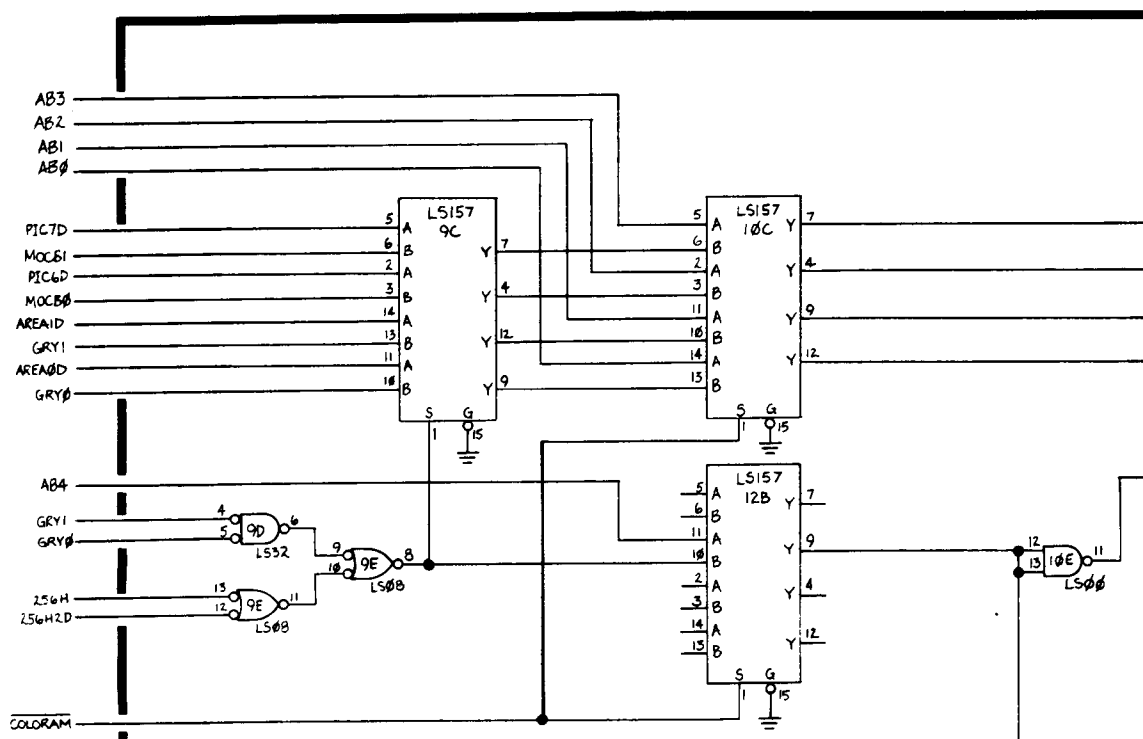
ATARI

Millipede™ PCB Schematic Diagram

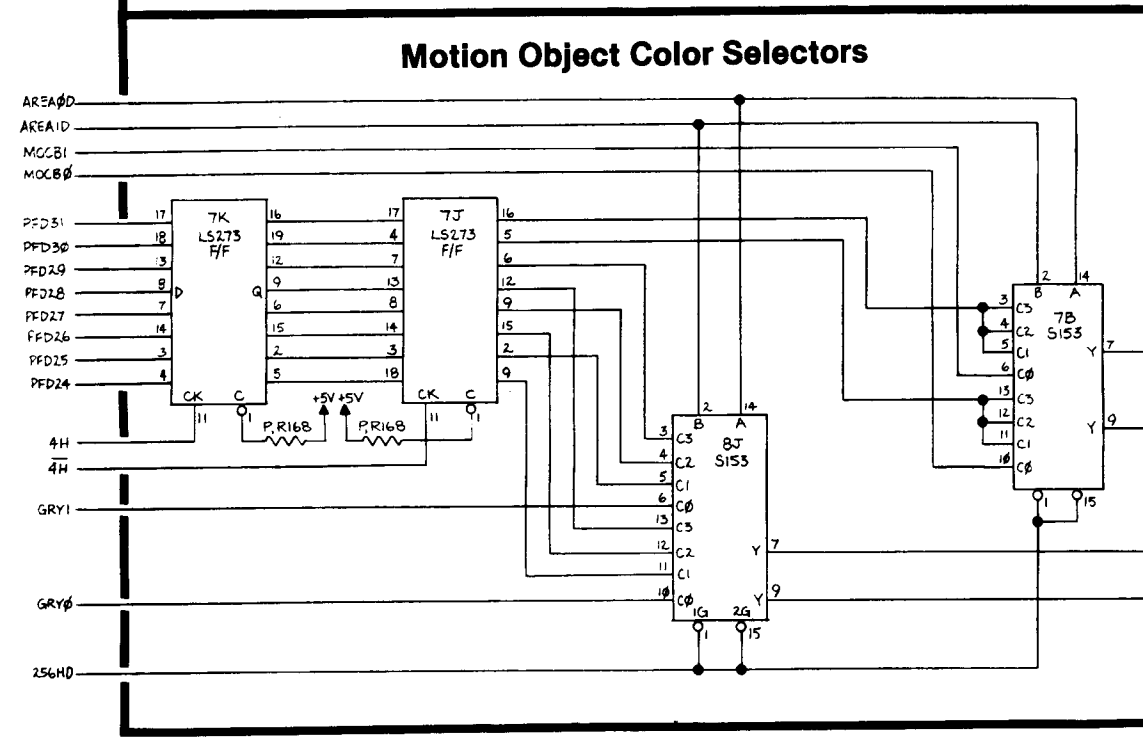
© ATARI INC., 1982
A Warner Communications Company

SP-217 Sheet 5B
1st printing

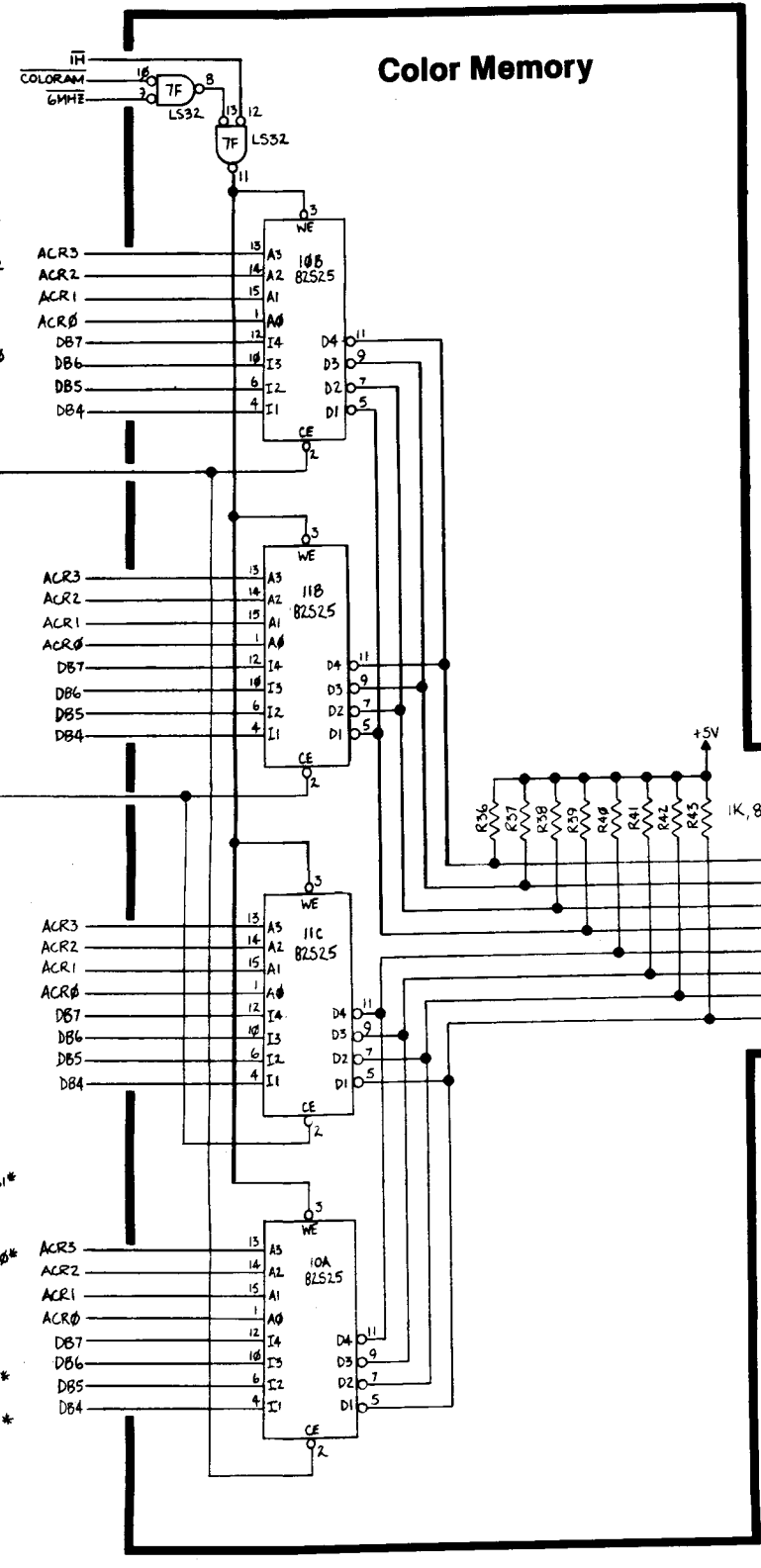
NOTICE TO ALL PERSONS RECEIVING THIS DRAWING
CONFIDENTIAL: Reproduction forbidden without the specific written permission of Atari, Inc., Sunnyvale, CA. This drawing is only conditionally issued, and neither receipt nor possession thereof confers or transfers any right in, or license to use, the subject matter of the drawing or any design or technical information shown thereon, nor any right to reproduce this drawing or any part thereof. Except for manufacture by vendors of Atari, Inc., and for manufacture under the corporation's written license, no right is granted to reproduce this drawing or the subject matter thereof, unless by written agreement with or written permission from the corporation.



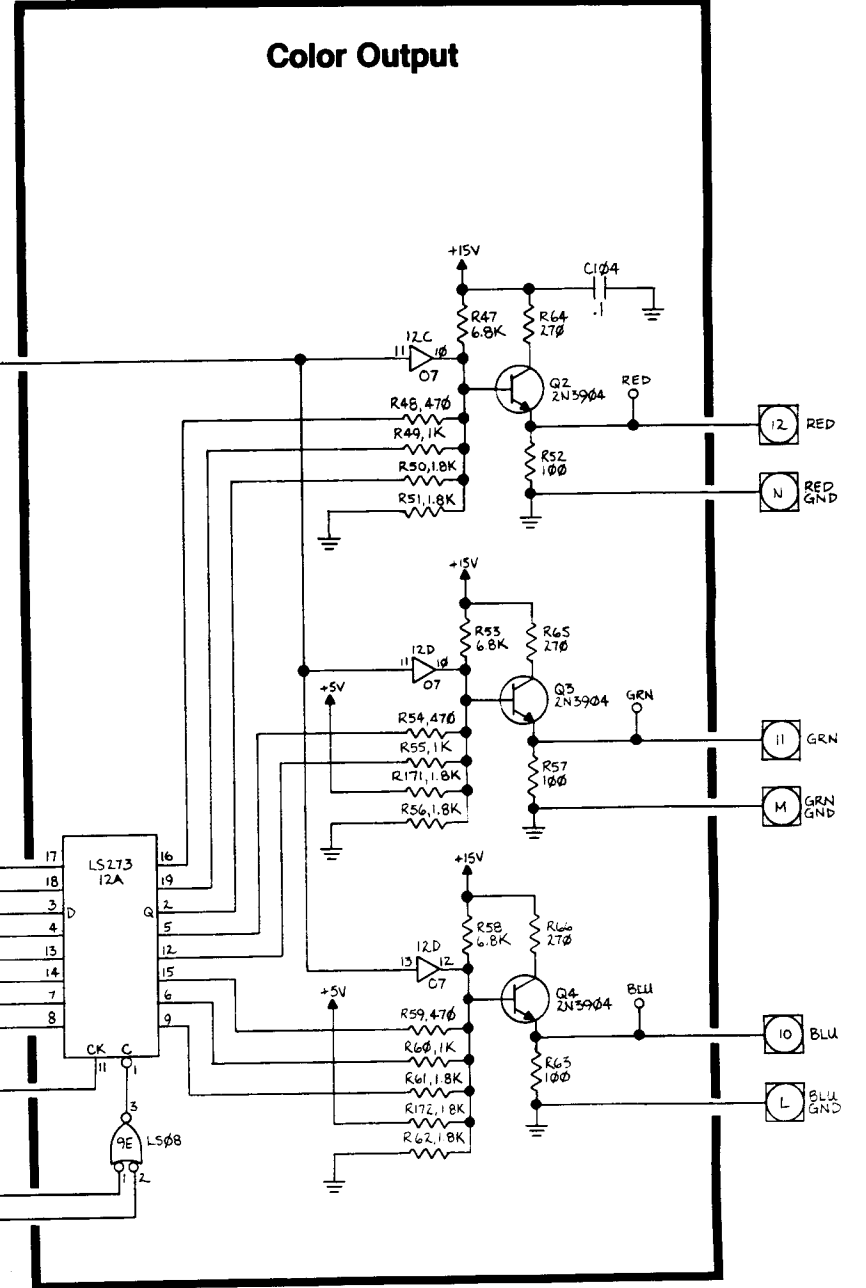
Color Memory Address Selectors



Motion Object Color Selectors



Color Memory

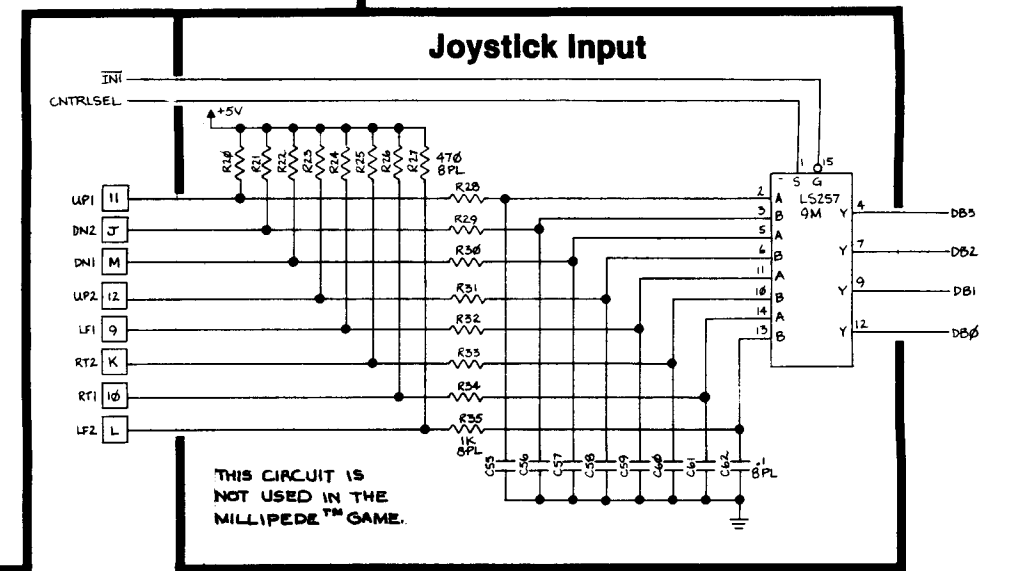
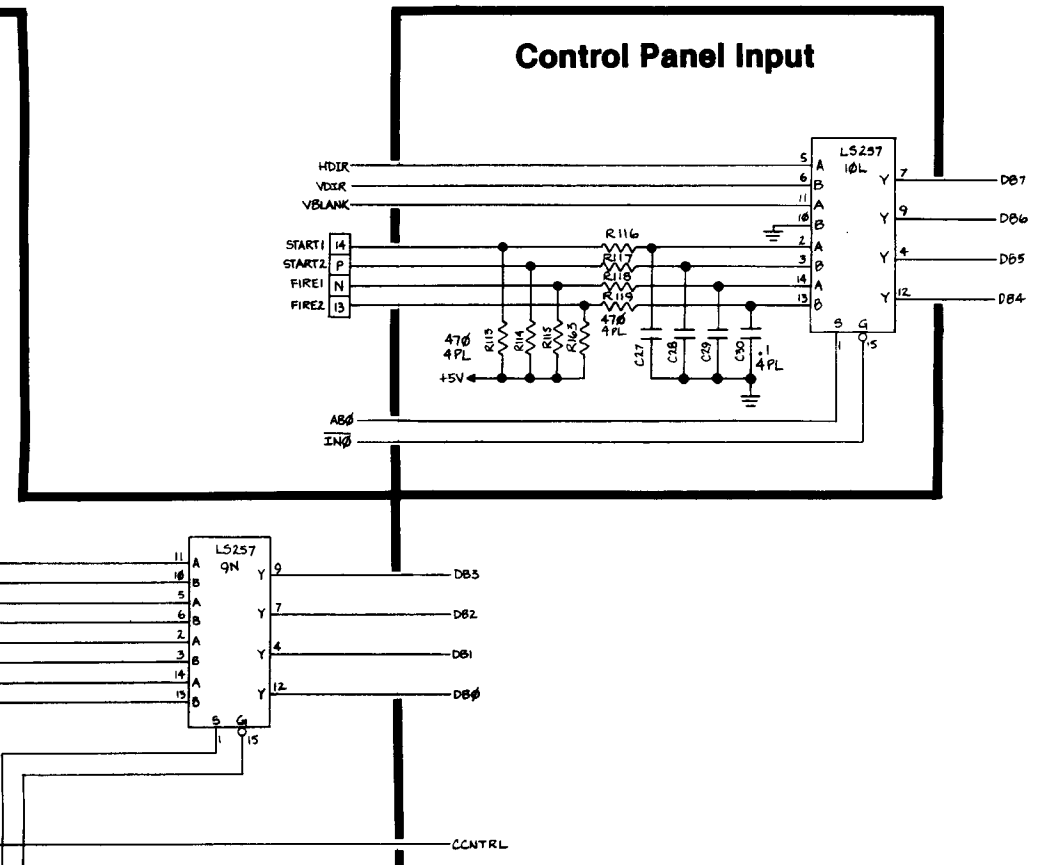
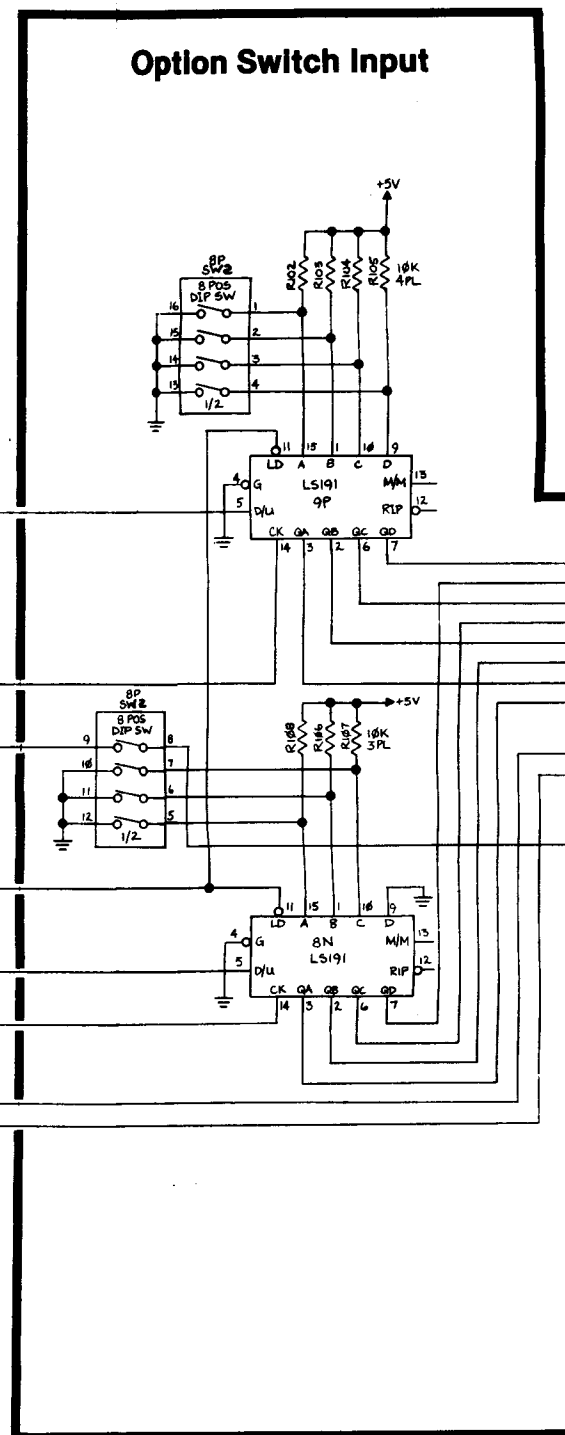
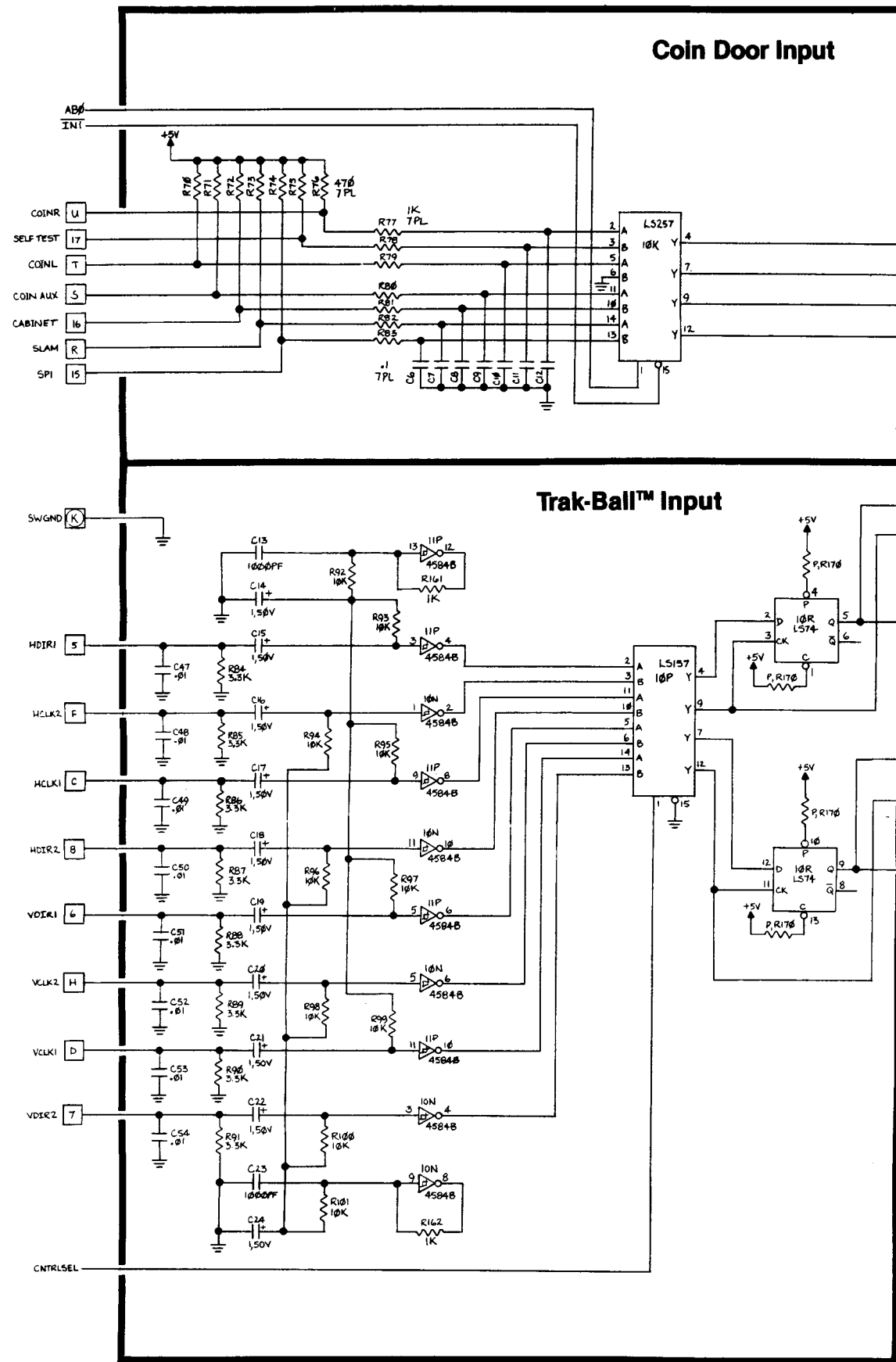



Color Output



NOTICE TO ALL PERSONS RECEIVING THIS DRAWING
 CONFIDENTIAL: Reproduction forbidden without the specific written permission of Atari, Inc., Sunnyvale, CA. This drawing is only conditionally issued, and neither receipt nor possession thereof confers or transfers any right in, or license to use, the subject matter of the drawing or any design or technical information shown thereon, nor any right to reproduce this drawing or any part thereof. Except for manufacture by vendors of Atari, Inc., and for manufacture under the corporation's written license, no right is granted to reproduce this drawing or the subject matter thereof, unless by written agreement with or written permission from the corporation.

Millipede™ PCB Schematic Diagram





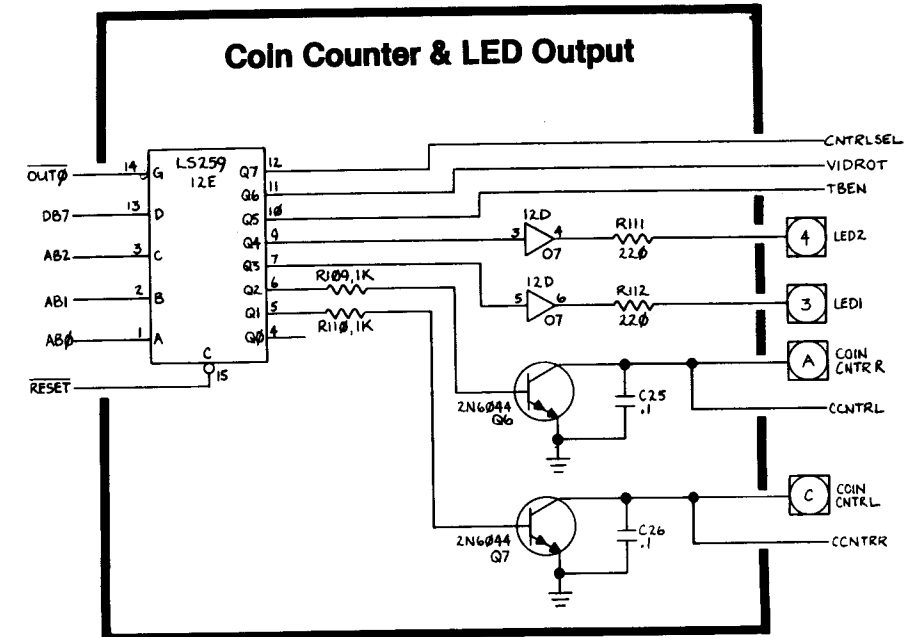
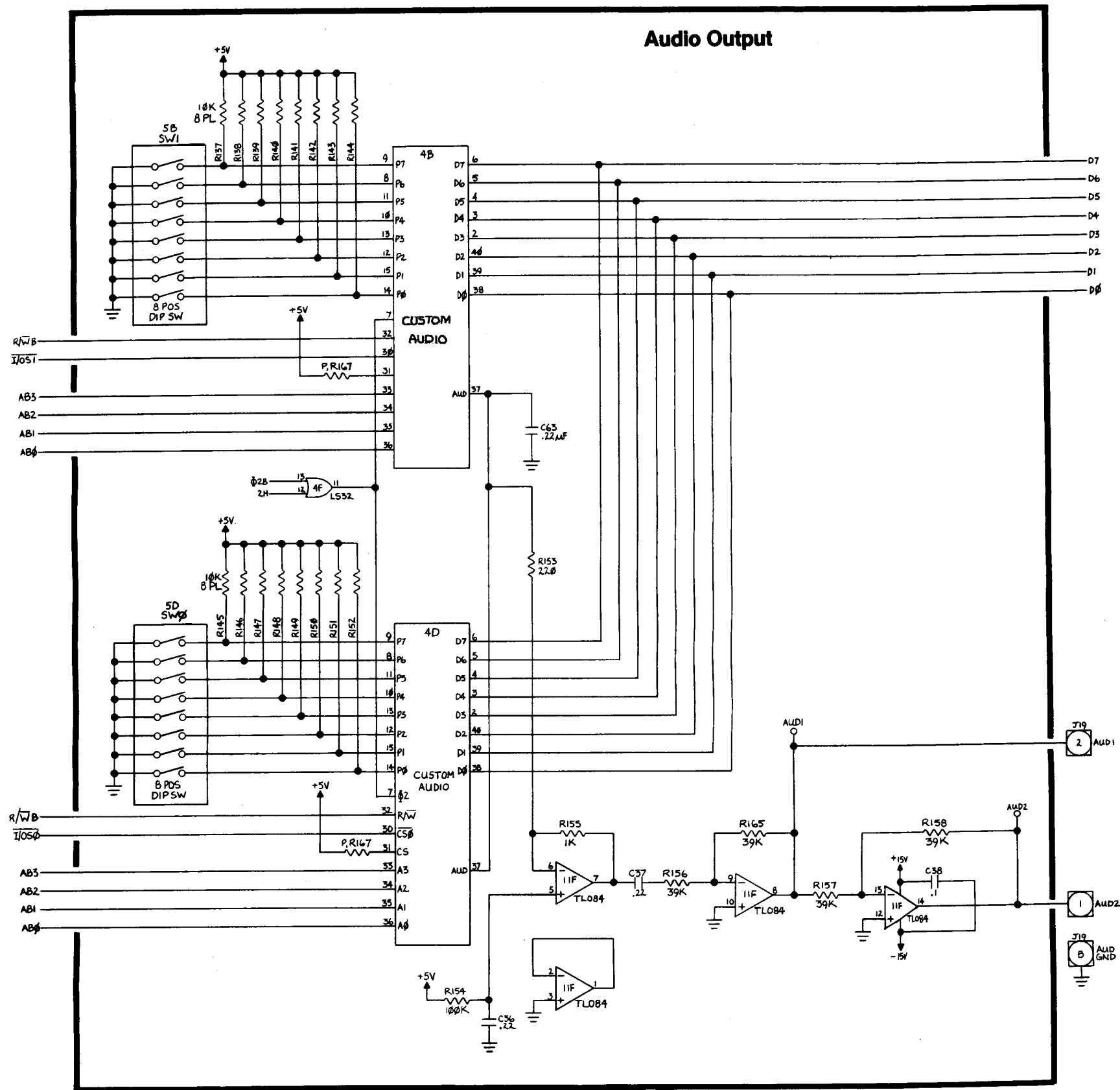
ATARI

Millipede™ PCB Schematic Diagram

© ATARI INC., 1982
A Warner Communications Company

NOTICE TO ALL PERSONS RECEIVING THIS DRAWING
CONFIDENTIAL: Reproduction forbidden without the specific written permission of Atari, Inc., Sunnyvale, CA. This drawing is only conditionally issued, and neither receipt nor possession thereof confers or transfers any right in, or license to use, the subject matter of the drawing or any design or technical information shown thereon, nor any right to reproduce this drawing or any part thereof. Except for manufacture by vendors of Atari, Inc., and for manufacture under the corporation's written license, no right is granted to reproduce this drawing or the subject matter thereof, unless by written agreement with or written permission from the corporation.

SP-217 Sheet 6B
1st printing



NOTICE TO ALL PERSONS RECEIVING THIS DRAWING
 CONFIDENTIAL: Reproduction forbidden without the specific written permission of Atari, Inc., Sunnyvale, CA. This drawing is only conditionally issued, and neither receipt nor possession thereof confers or transfers any right in, or license to use, the subject matter of the drawing or any design or technical information shown thereon, nor any right to reproduce this drawing or any part thereof. Except for manufacture by vendors of Atari, Inc., and for manufacture under the corporation's written license, no right is granted to reproduce this drawing or the subject matter thereof, unless by written agreement with or written permission from the corporation.

Millipede™ PCB Schematic Diagram