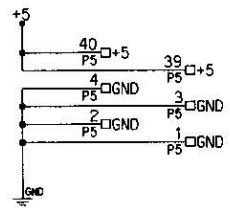
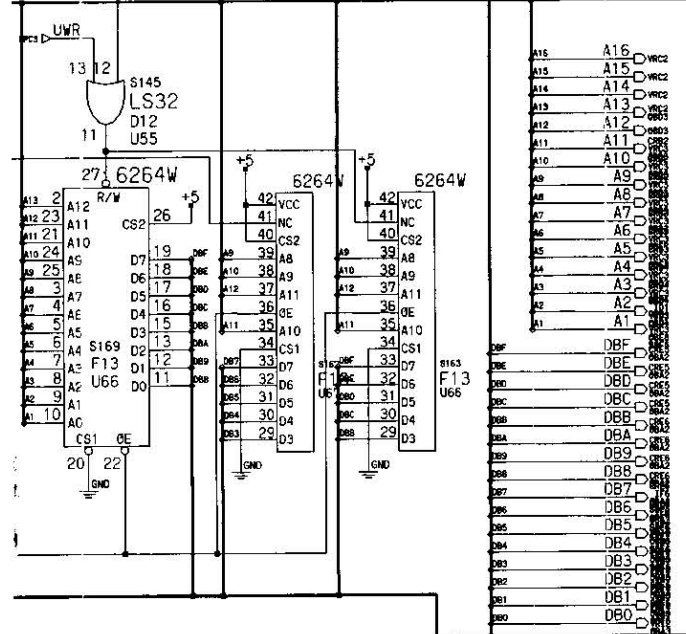


88 P5 8540-4500SC  
991



112	RESET	36	RESET
OP3	BWCS	P5	BWCS
OP3	UWR	P5	UWR
OP3	LWR	P5	LWR
OP2	NREAD	P5	NREAD



A16	A16	VRC2
A15	A15	VRC2
A14	A14	VRC2
A13	A13	VRC2
A12	A12	DBF3
A11	A11	DBF3
A10	A10	DBF3
A9	A9	DBF3
A8	A8	DBF3
A7	A7	DBF3
A6	A6	DBF3
A5	A5	DBF3
A4	A4	DBF3
A3	A3	DBF3
A2	A2	DBF3
A1	A1	DBF3
DBF	DBF	DBF3
DBE	DBE	DBF3
DBD	DBD	DBF3
DBC	DBC	DBF3
DBB	DBB	DBF3
DBA	DBA	DBF3
DB9	DB9	DBF3
DB8	DB8	DBF3
DB7	DB7	DBF3
DB6	DB6	DBF3
DB5	DB5	DBF3
DB4	DB4	DBF3
DB3	DB3	DBF3
DB2	DB2	DBF3
DB1	DB1	DBF3
DB0	DB0	DBF3
P5	P5	DB0

### NOTES

- KINDS OF CAPACITOR  
E: ELECTROLYTIC  
M: MYLAR  
T: TANTALUM  
C: CERAMIC

- KINDS OF CONNECTOR  
JAMMA □ JAMMA 56PIN EDGE  
NUMBER: PARTS SIDE  
ALFABET: SOLDER SIDE  
(/A/ IS SMALL LETTER)

- 1P □ CN1 (VSYNC)
- 2P □ DIN64P (D/A)
- 3P □ DIN64P (OBJ)
- 4P □ DIN64P (VRAM)
- 6P □ NHCN4P (STEREO)

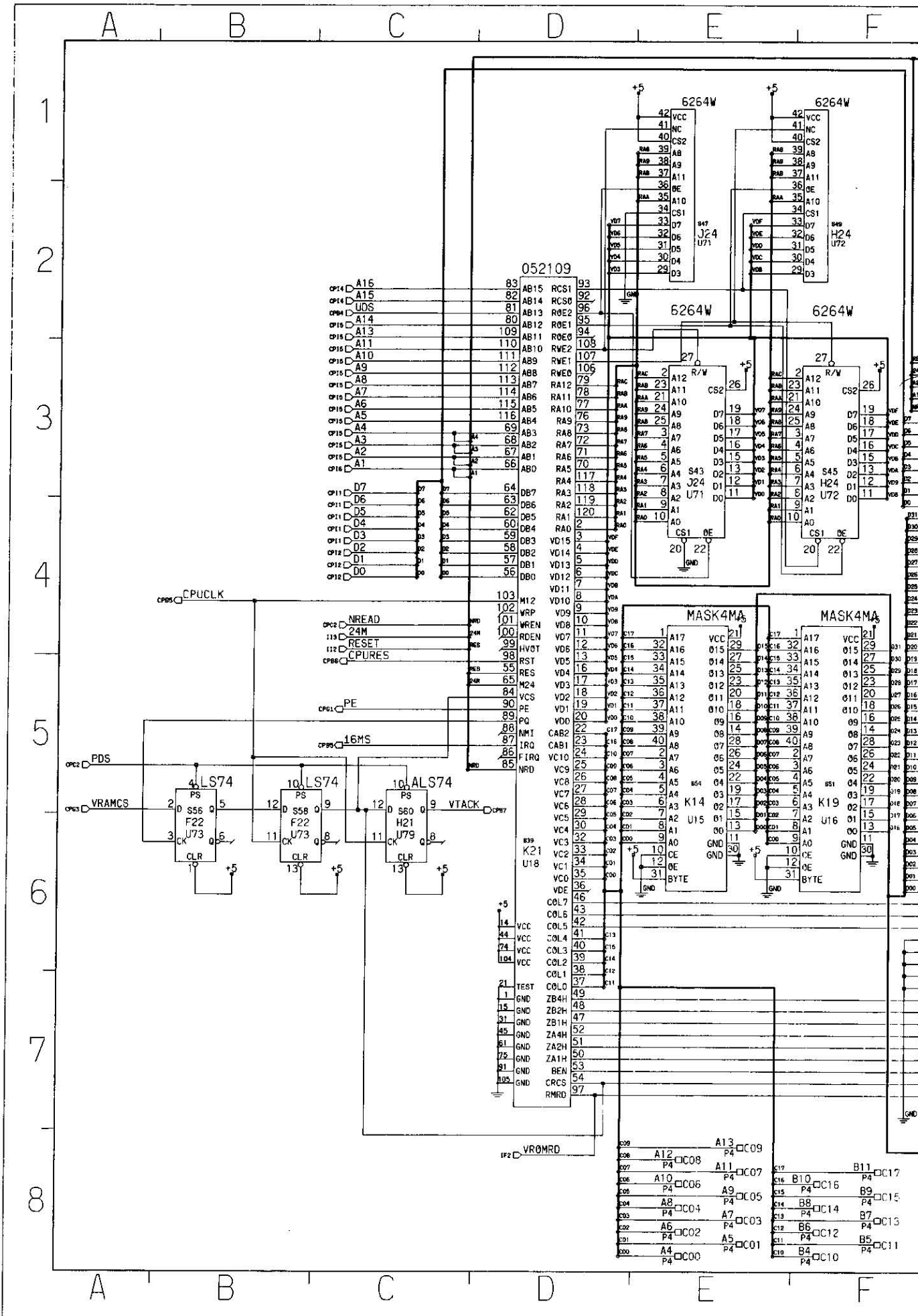


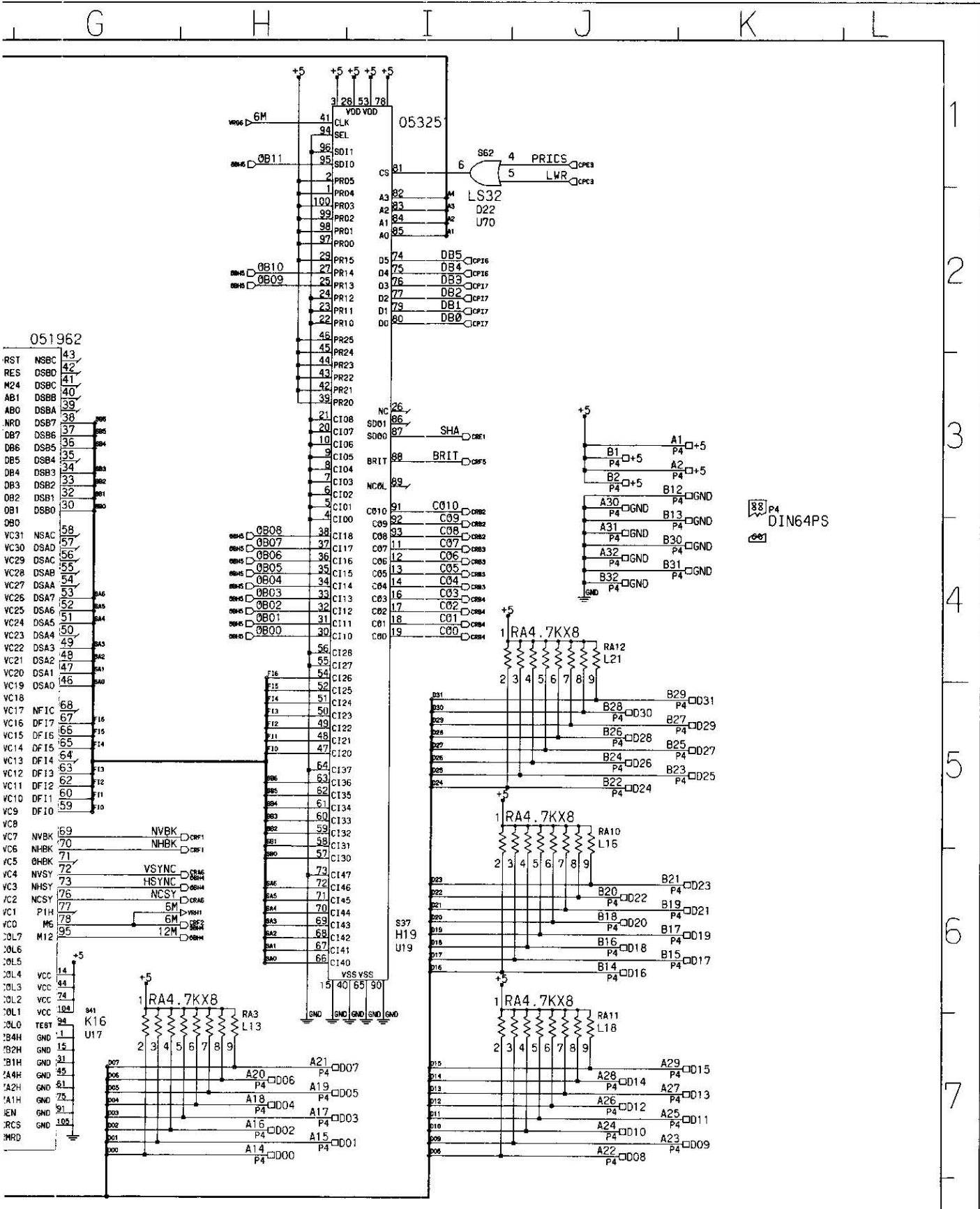
KONAMI INDUSTRY CO., LTD.

REG. TYPE	CPU SCHEMATIC DIAGRAM
NAME	GX939 PWB351905A
CODE NO.	351925 1/6

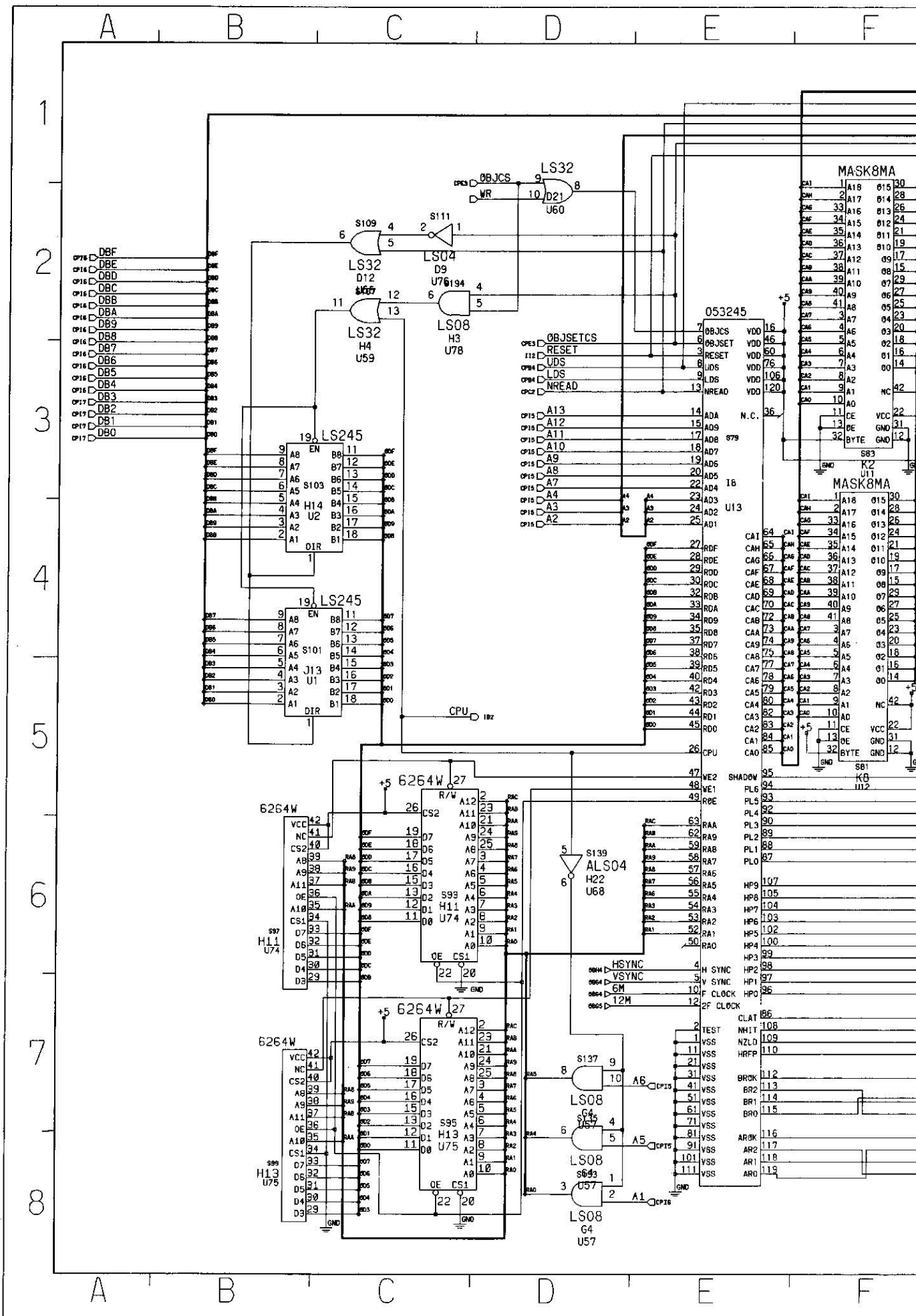
DESIGN	DRAW	CHECK	APPROVE

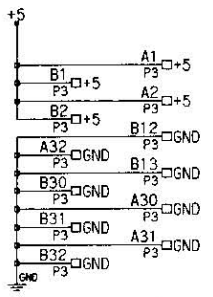
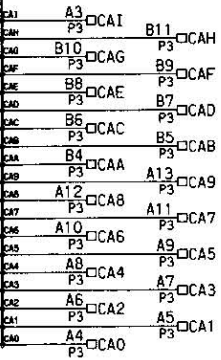
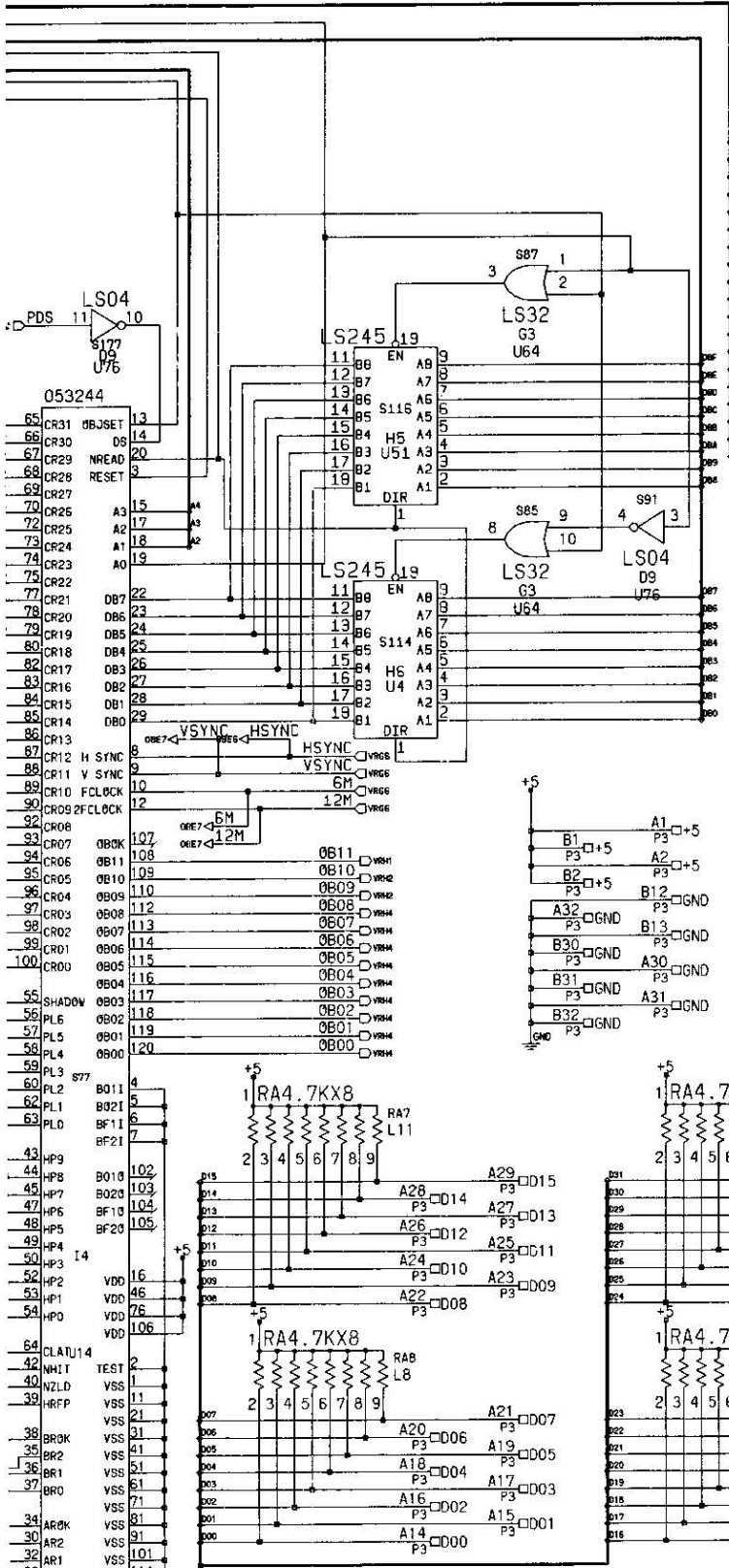
RELEASE DATE	89. 10. 30
SCALE	TOLERANCE



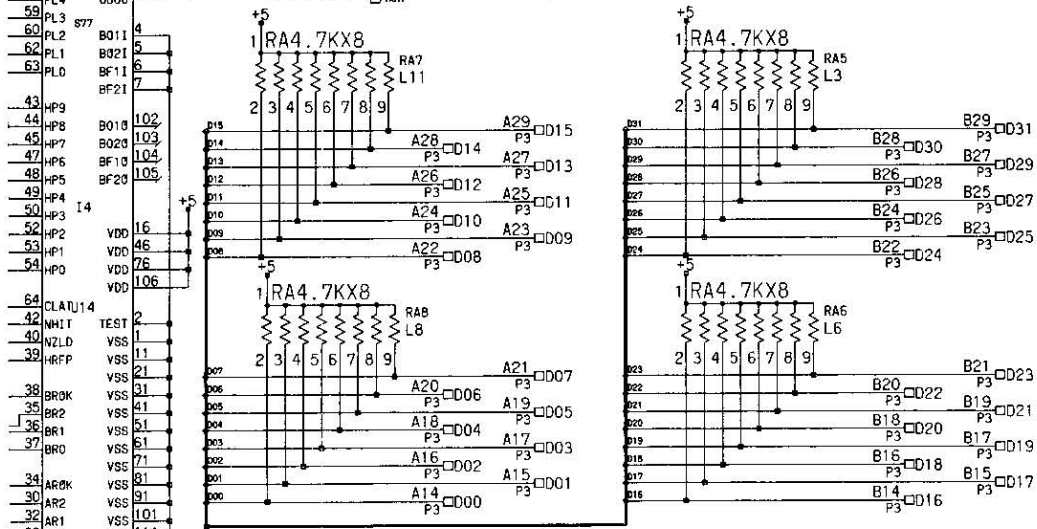


<b>KONAMI</b>				KONAMI INDUSTRY CO.,LTD.		REG. TYPE	VRAM
DESIGN	DRAW	CHECK	APPROVE	RELEASE DATE	89. 10. 30	NAME	GX939 PWB351905A
			SCALE	TOLE-RANCE		CODE NO.	351925 2/6

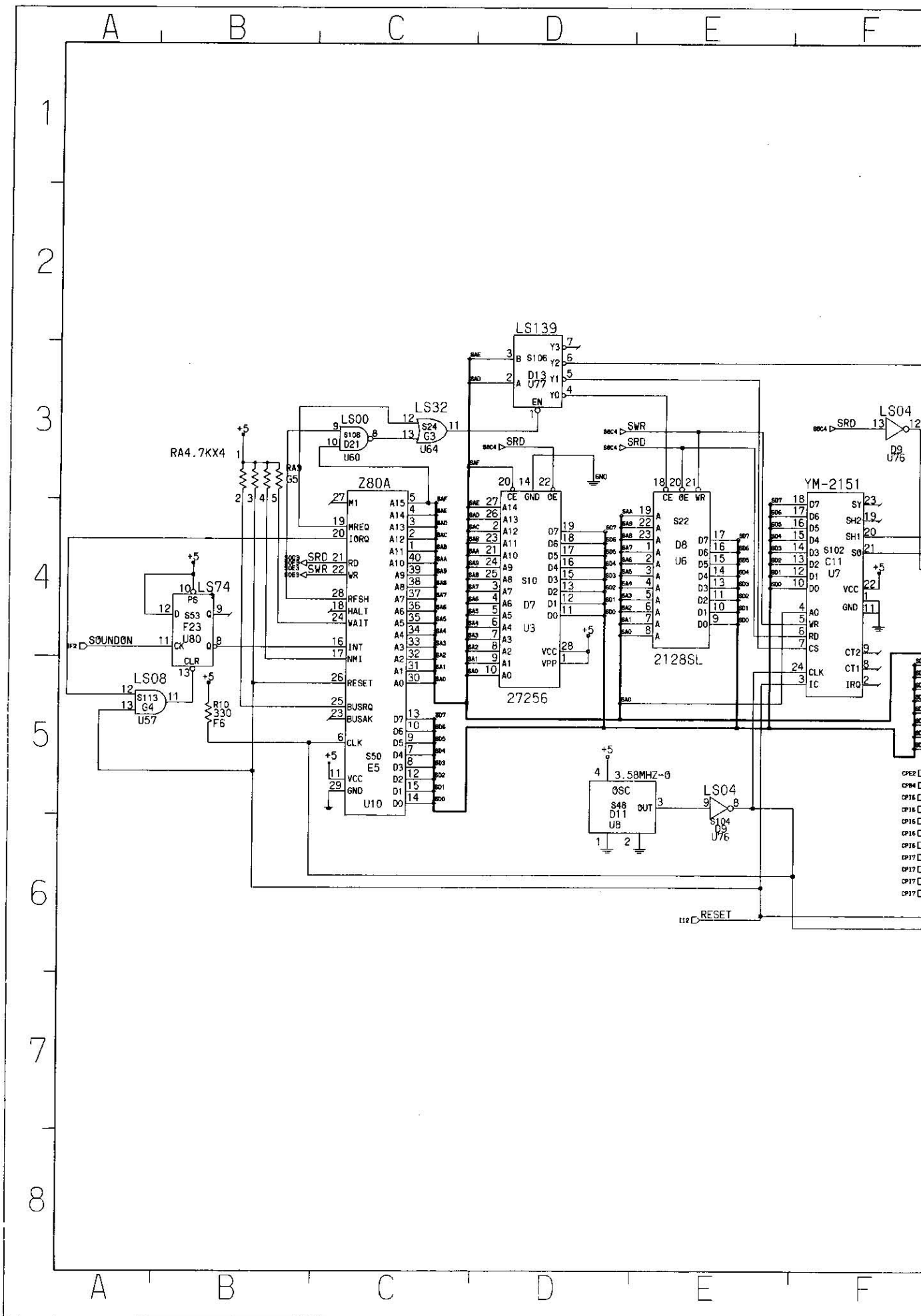


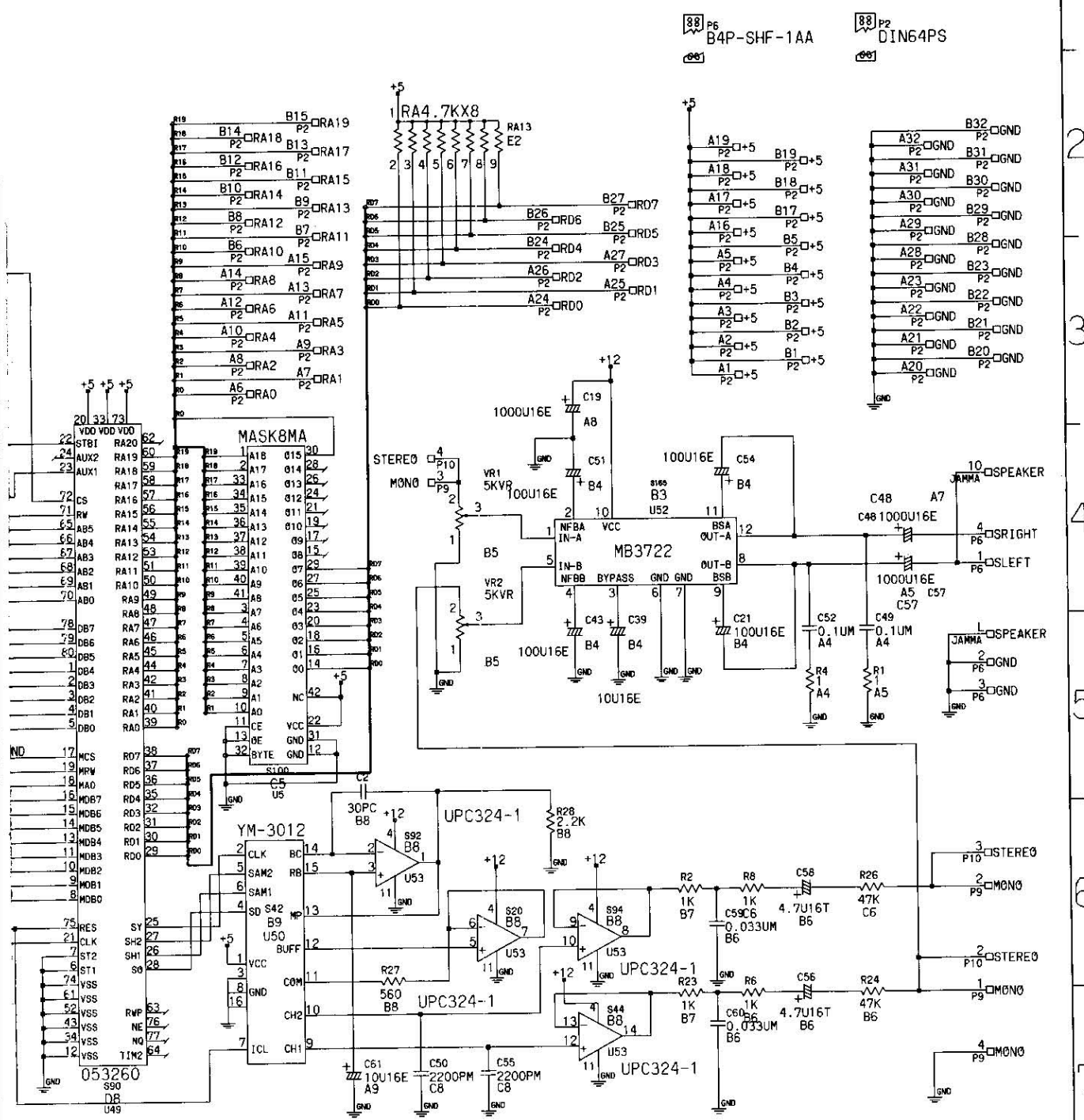


88 P3 DIN64PS



<b>KONAMI</b>				KONAMI INDUSTRY CO., LTD.		REG. TYPE	OBJ
DESIGN	DRAW	CHECK	APPROVE	RELEASE DATE	89.10.30	NAME	GX939 PWB351905A
				SCALE	TOLE-RANCE	CODE NO.	351925 3/6





				KONAMI INDUSTRY CO., LTD.		REG. TYPE	SOUND SCHEMATIC DIAGRAM
DESIGN	DRAW	CHECK	APPROVE	RELEASE DATE	89.10.30	NAME	GX939 PWB351905A
				SCALE		CODE NO.	351925 6/6

1  
2  
3  
4  
5  
6  
7  
8