

CPU + GAME LOGIC BD.  
4064-1917-1636

POWER SUPPLY BD.  
A.T. 1-23-61

DIODE BD.  
4064-1942-1636

MONITOR INTERFACE BD.  
4064-1942-1636

SOUND BD.  
4064-1942-1636

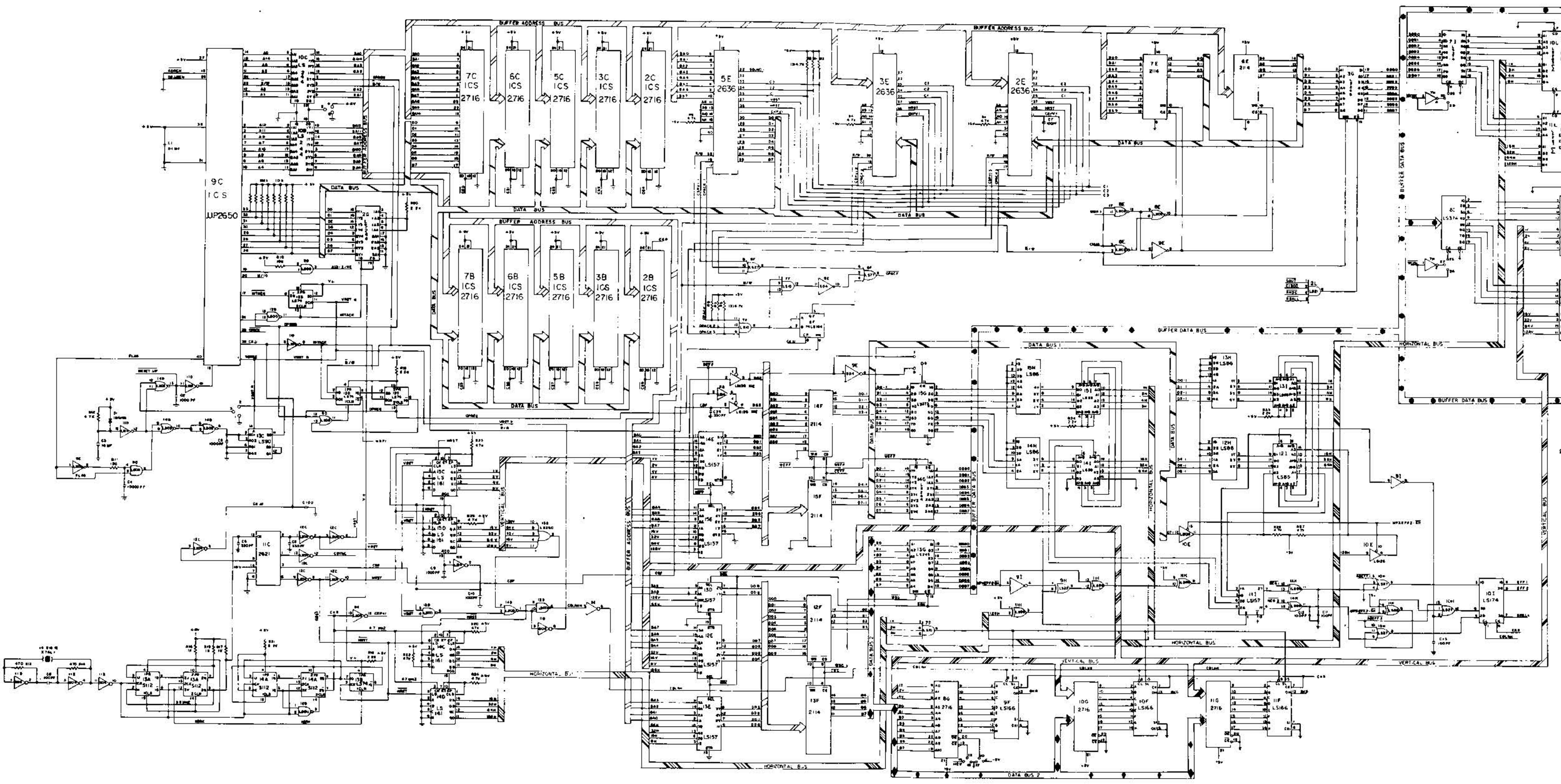
LAZARIAN UR  
WIRE SCHEMATIC # 100-1000-1000

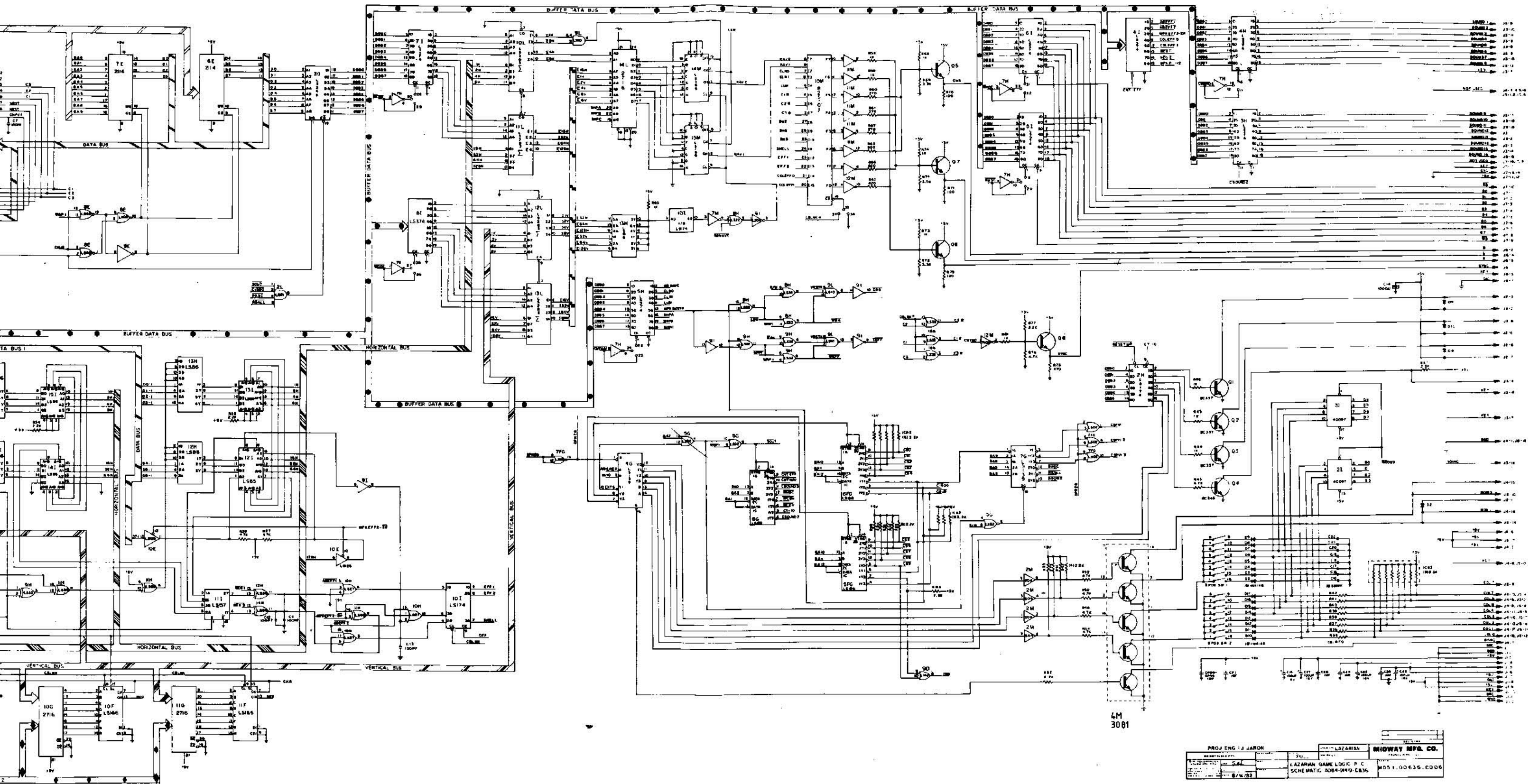
- NOTES:
- 1. 2. 3. 4. 5. 6. 7. 8. 9. 10. 11. 12. 13. 14. 15. 16. 17. 18. 19. 20. 21. 22. 23. 24. 25. 26. 27. 28. 29. 30. 31. 32. 33. 34. 35. 36. 37. 38. 39. 40. 41. 42. 43. 44. 45. 46. 47. 48. 49. 50. 51. 52. 53. 54. 55. 56. 57. 58. 59. 60. 61. 62. 63. 64. 65. 66. 67. 68. 69. 70. 71. 72. 73. 74. 75. 76. 77. 78. 79. 80. 81. 82. 83. 84. 85. 86. 87. 88. 89. 90. 91. 92. 93. 94. 95. 96. 97. 98. 99. 100.

MIDWAY MFG. CO.  
1000 W. BELMONT AVE.  
FRANKLIN PARK, ILL. 60061

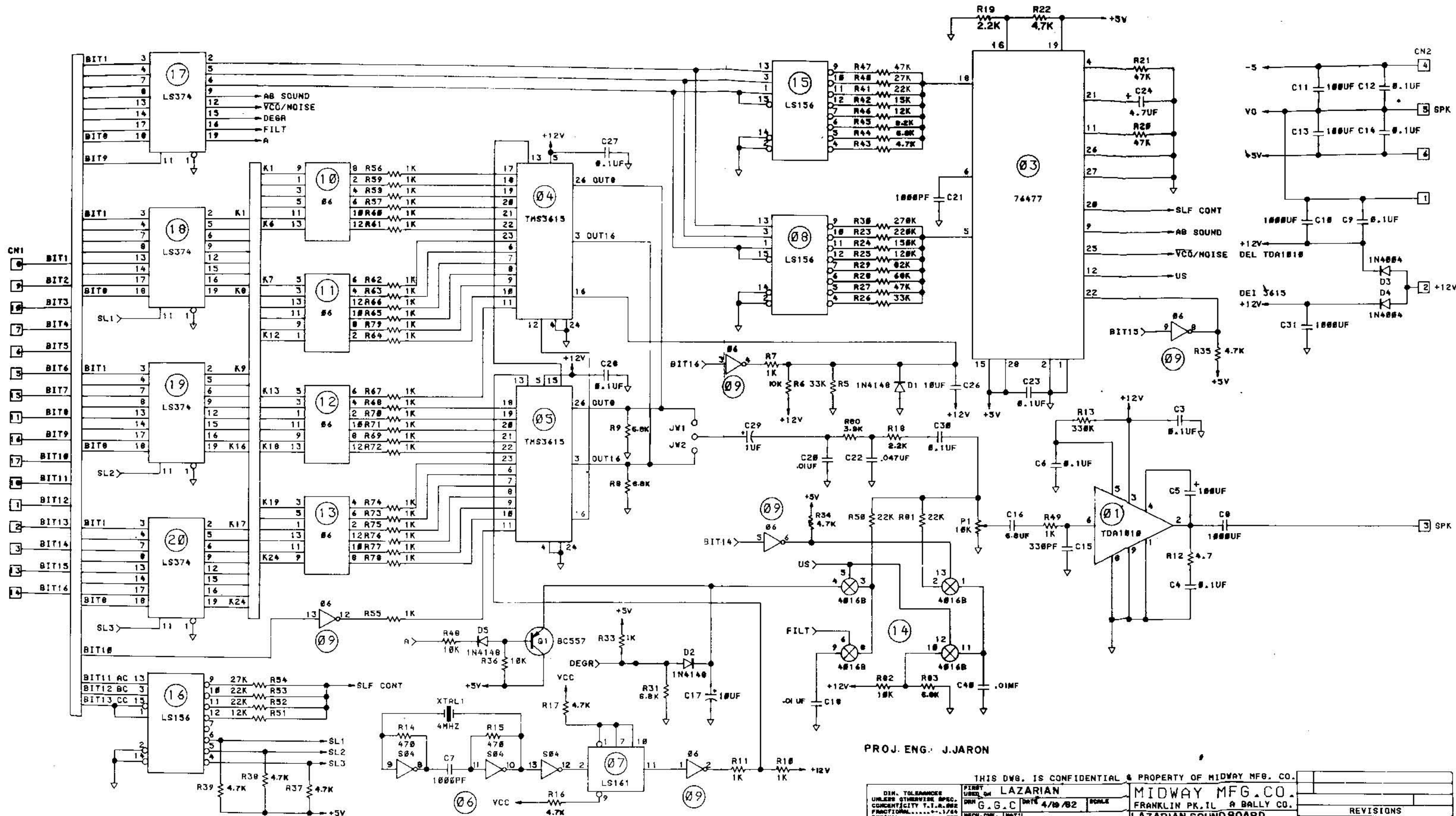
| REVISION | DATE | NAME |
|----------|------|------|
|          |      |      |
|          |      |      |
|          |      |      |

FINISHED 5/27/62





|                    |                         |                 |
|--------------------|-------------------------|-----------------|
| PROJ ENG: J. JARON | LAZARUS                 | MIDWAY MFG. CO. |
| DATE: 8/11/52      | LAZARUS GAME LOGIC P.C. | MD51-00635-0006 |
| REV: 1             | SCHEMATIC 408-949-0836  |                 |



PROJ. ENG. J.JARON

THIS DWG. IS CONFIDENTIAL & PROPERTY OF MIDWAY MFG. CO.

|             |          |                               |                 |
|-------------|----------|-------------------------------|-----------------|
| DWG. NO.    | LAZARIAN | MIDWAY MFG. CO.               | REVISIONS       |
| DESIGNED BY | G.G.C.   | FRANKLIN PK., IL. A BALLY CO. |                 |
| DATE        | 4/10/82  |                               |                 |
| SCALE       |          |                               |                 |
| MECH. CHK.  | NAT'L    | LAZARIAN SOUNDBOARD           | PART NO.        |
| ELEC. CHK.  | FINISH   | SCHEMATIC                     | M051-00636-E008 |
|             |          | A084-90911-F636               |                 |