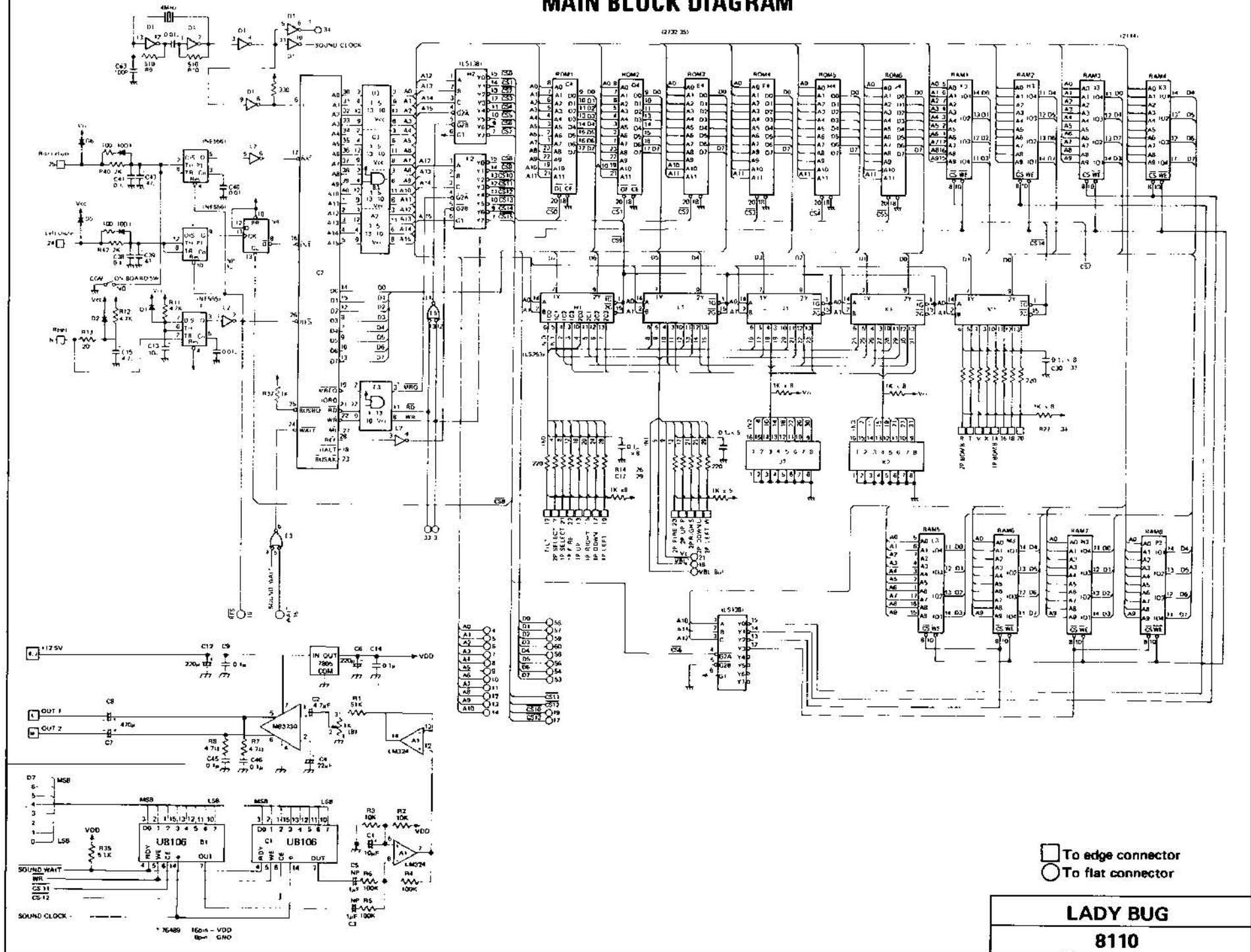
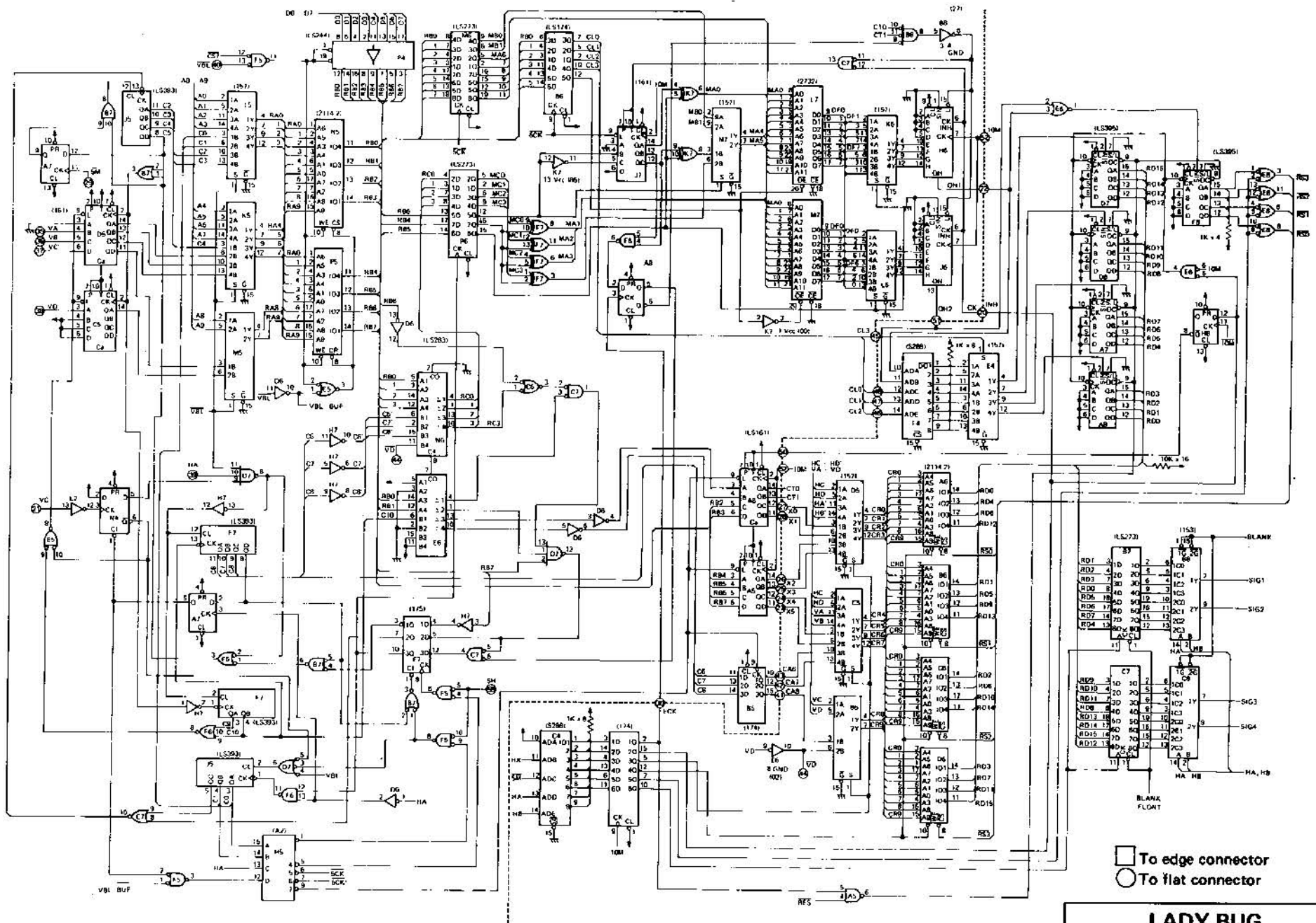


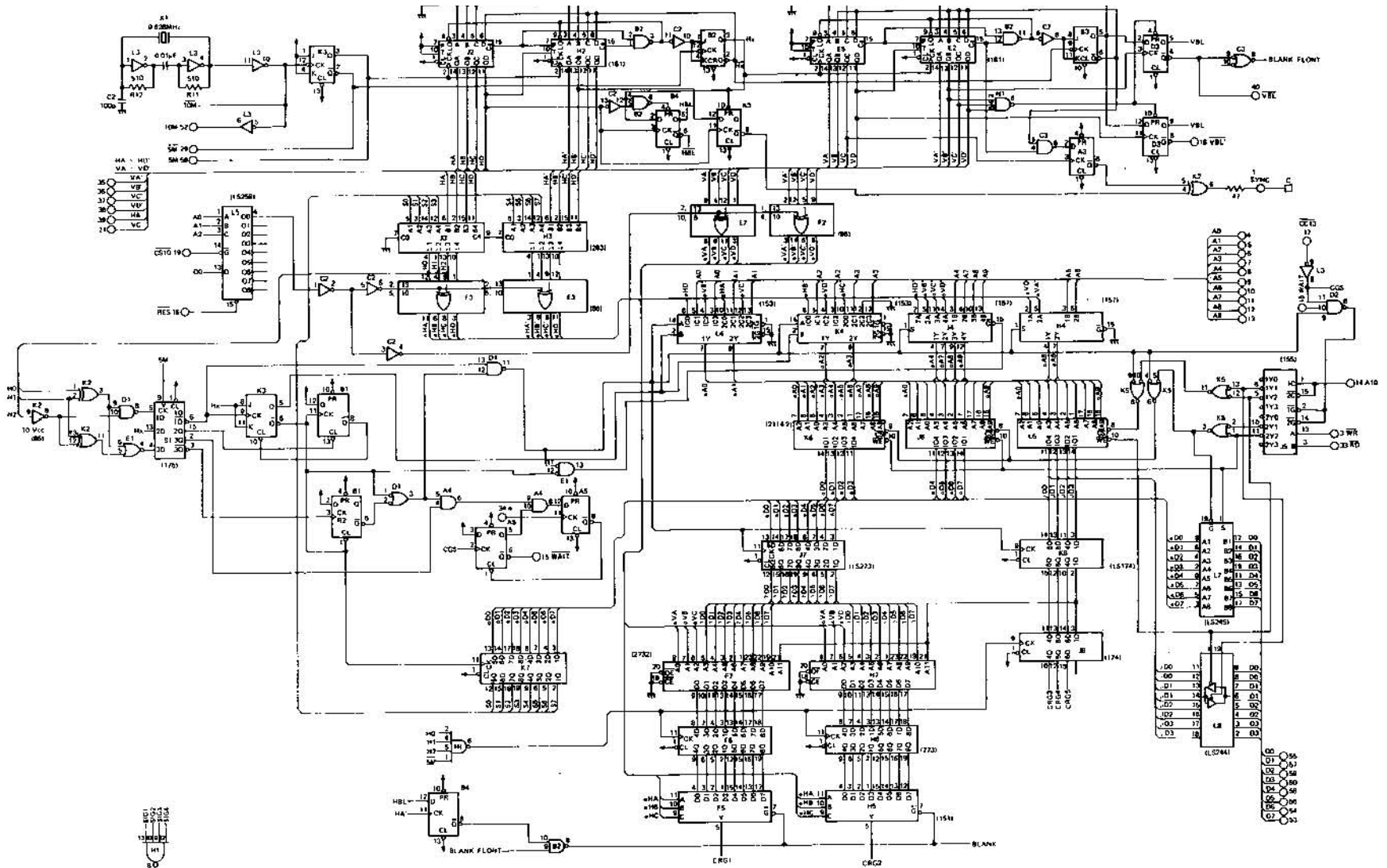
# MAIN BLOCK DIAGRAM





To edge connector  
 To flat connector

**LADY BUG**  
**8110**



- To edge connector
- To flat connector

**LADY BUG**  
**8110**

2	3	4	5	6	7	8	9	10	11	12	13	14	15	16	17	18	19	20	21	22	23	24	25	26	27	28	29	30	31	32	33	34	35	36	37	38	39	40	41	42	43	44	45	46	47	48	49	50	51	52	53	54	55	56	57	58	59	60	61	62	63	64	65	66	67	68	69	70	71	72	73	74	75	76	77	78	79	80	81	82	83	84	85	86	87	88	89	90	91	92	93	94	95	96	97	98	99	100																																																																																		
SYNC	G	WR	A0	A1	A2	A3	A4	A5	A6	A7	A8	A9	A10	WAIT	RES	CE1	VB1	CE2	VA	VC	OH3	X6	X3	X2	X0	X1	SM	CLK	HA	HB	HC	HD	HE	HF	HG	HH	HI	HJ	HK	HL	HM	HN	HO	HP	HQ	HR	HS	HT	HU	HV	HW	HX	HY	HZ	VA	VB	VC	VD	VE	VF	VG	VH	VI	VJ	VK	VL	VM	VN	VO	VP	VQ	VR	VS	VT	VU	VV	VW	VX	VY	VZ	CA1	CA2	CA3	CA4	CA5	CA6	CA7	CA8	CA9	CA10	CA11	CA12	CA13	CA14	CA15	CA16	CA17	CA18	CA19	CA20	CA21	CA22	CA23	CA24	CA25	CA26	CA27	CA28	CA29	CA30	CA31	CA32	CA33	CA34	CA35	CA36	CA37	CA38	CA39	CA40	CA41	CA42	CA43	CA44	CA45	CA46	CA47	CA48	CA49	CA50	CA51	CA52	CA53	CA54	CA55	CA56	CA57	CA58	CA59	CA60	CA61	CA62	CA63	CA64	CA65	CA66	CA67	CA68	CA69	CA70	CA71	CA72	CA73	CA74	CA75	CA76	CA77	CA78	CA79	CA80	CA81	CA82	CA83	CA84	CA85	CA86	CA87	CA88	CA89	CA90	CA91	CA92	CA93	CA94	CA95	CA96	CA97	CA98	CA99	CA100