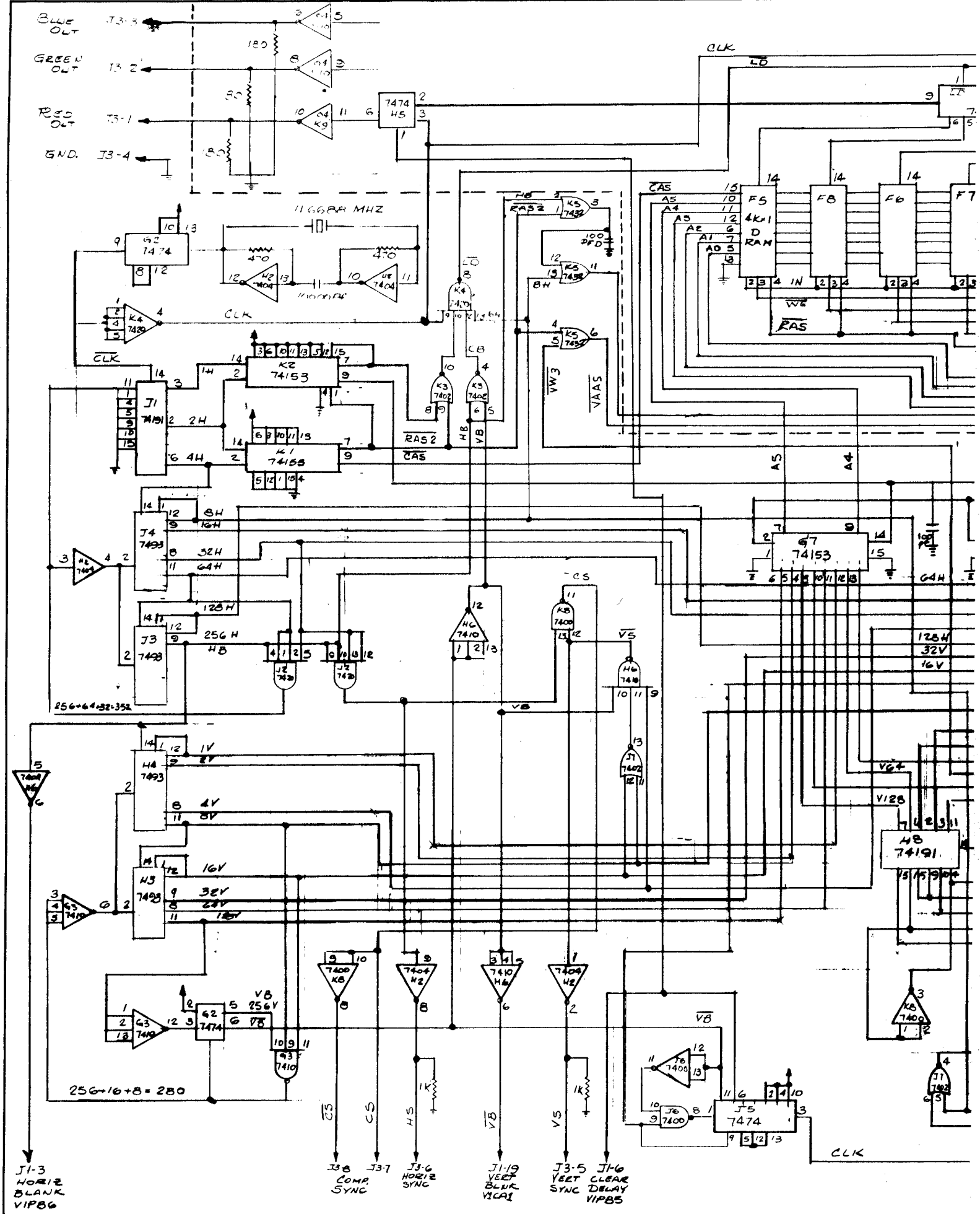
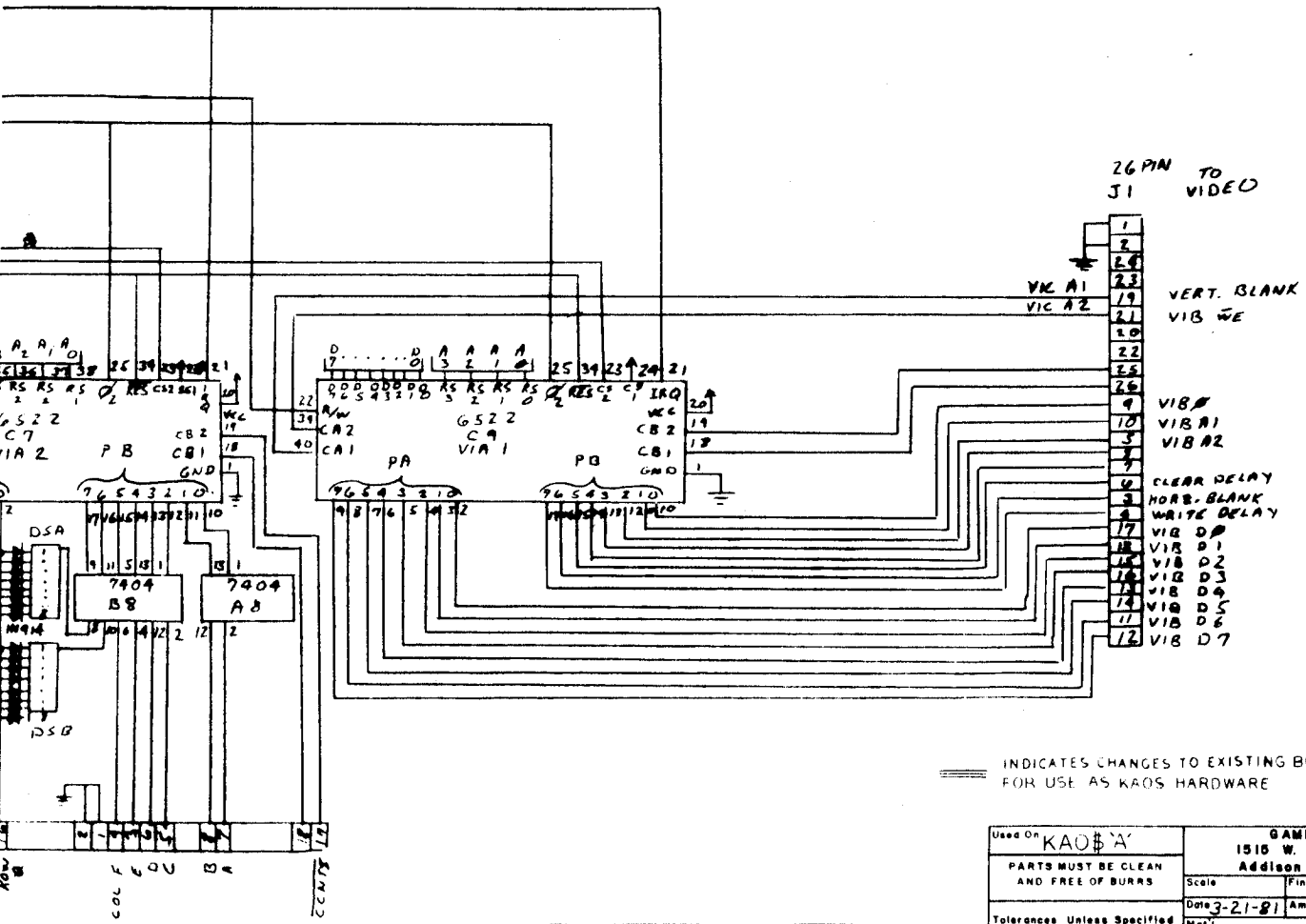
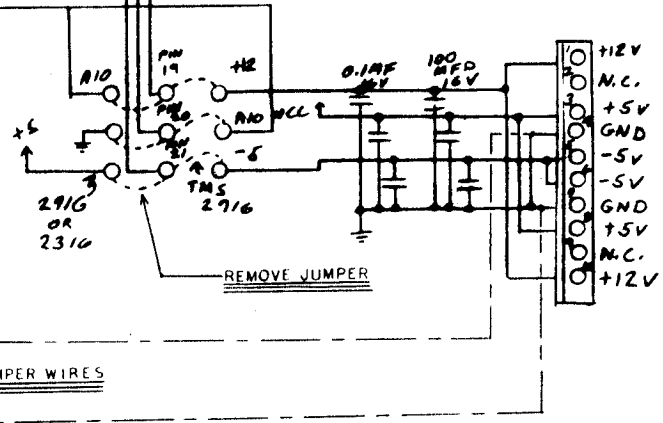
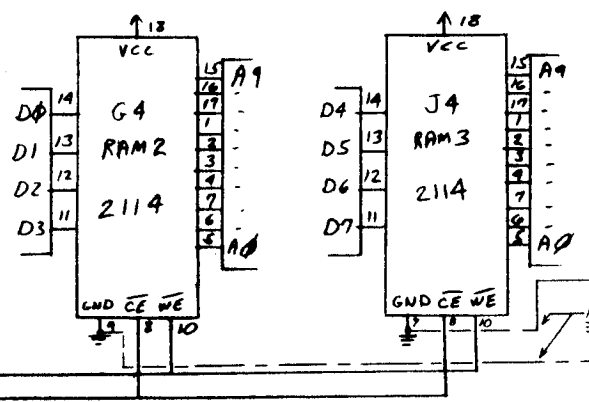
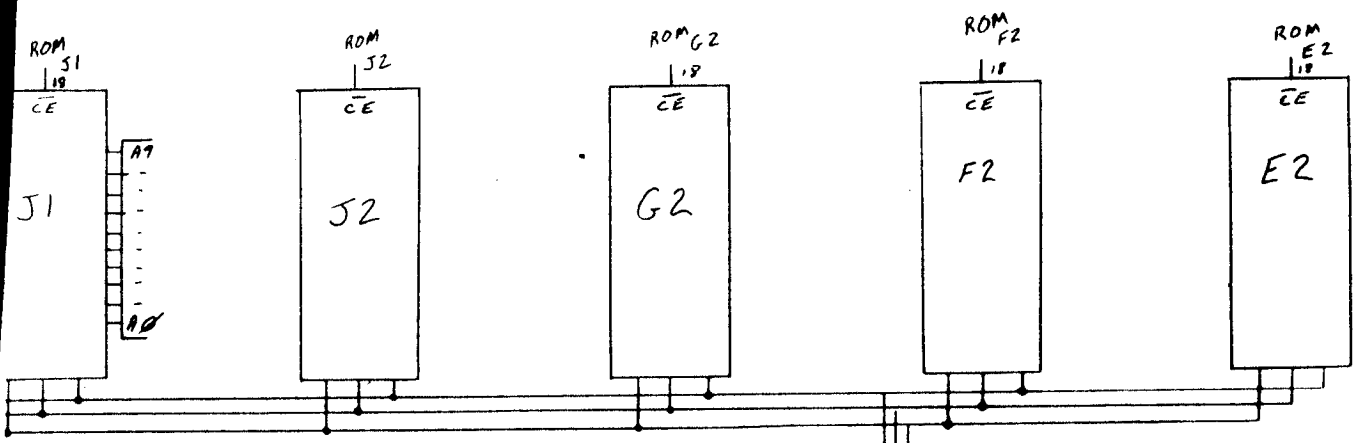


J1-4
WRITE-DELAY
VIPB7

ISSUE	CHANGE	DATE

Used On K405 A	GAME PLAN Inc. 1515 W. Fullerton Ave Addison ILL. 60101
PARTS MUST BE CLEAN AND FREE OF BURRS	Scale: _____ Finish: _____ Drawn: LBZ
Tolerances Unless Specified Fractional: ± 0.15 Decimal: ± 0.005 Angles: ± 1/2° Screw Threads: Class 2	Date: 20MAY84 Amt: _____ App By: _____ Drawing Number: 02-700790
VIDEO INTERFACE BOARD SCHEMATIC	

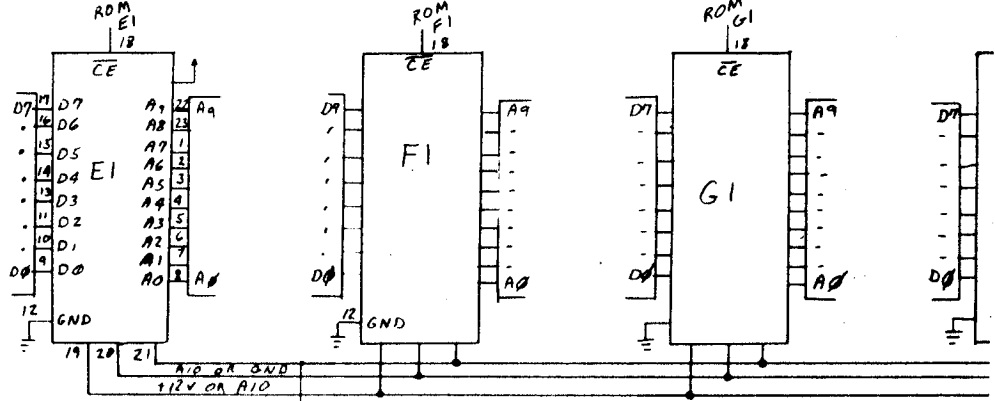
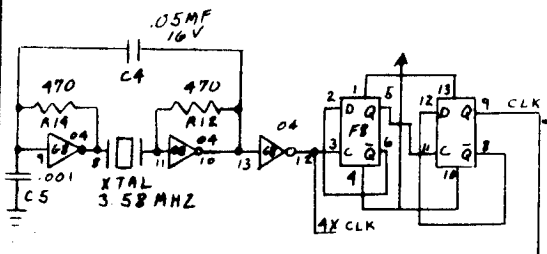




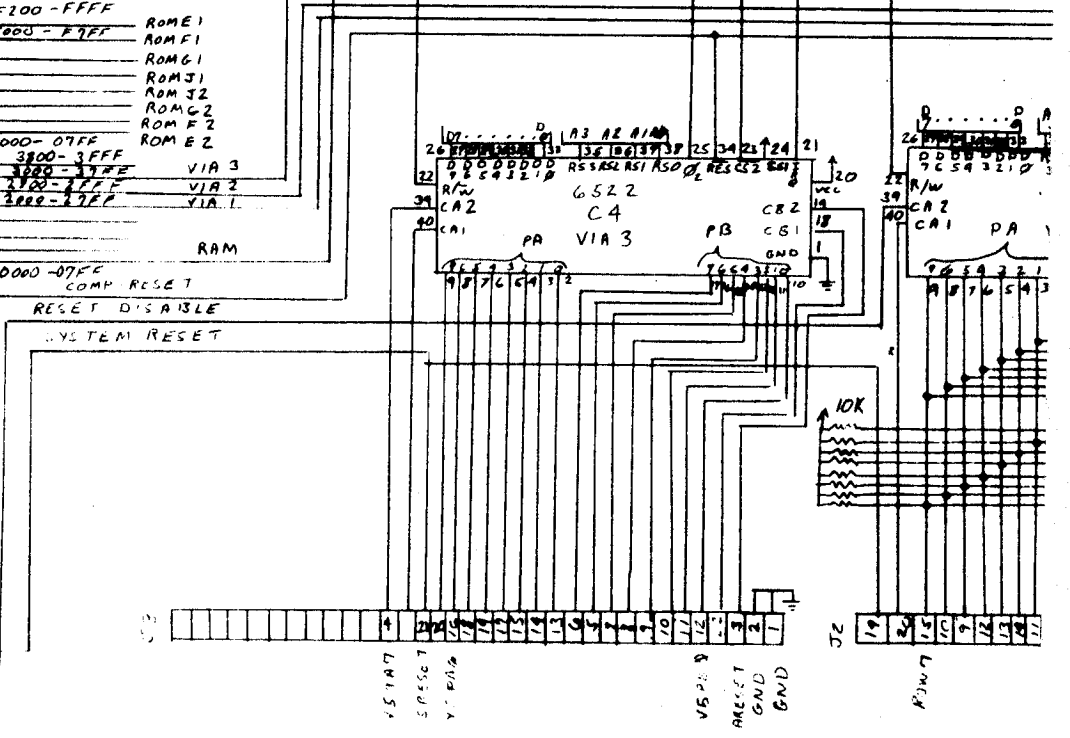
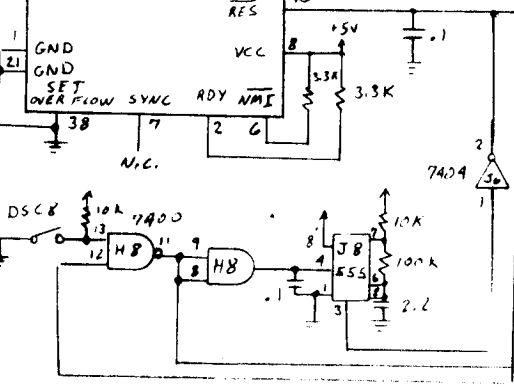
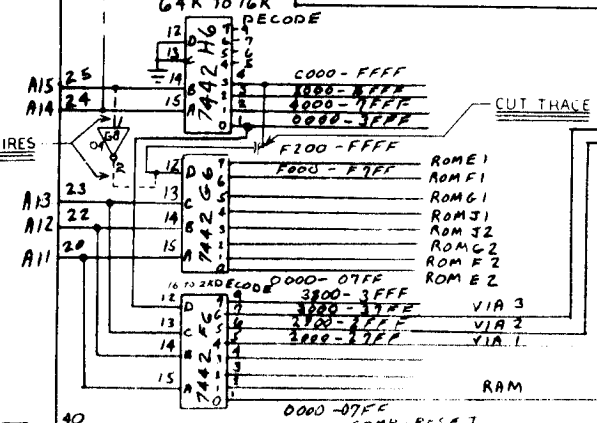
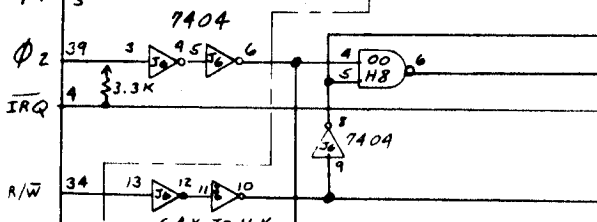
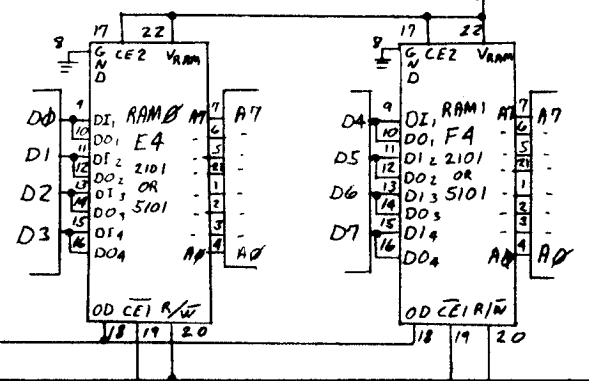
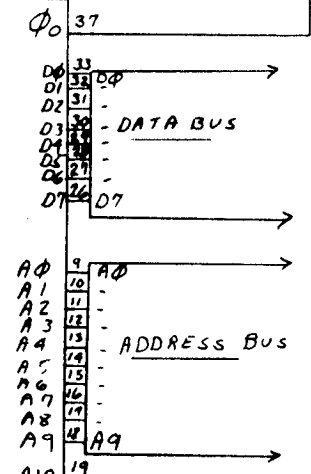
INDICATES CHANGES TO EXISTING BOARDS FOR USE AS KAOS HARDWARE

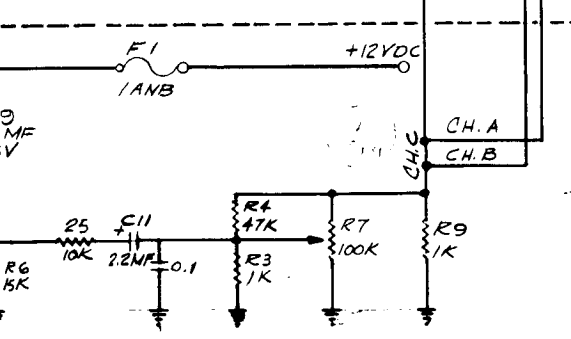
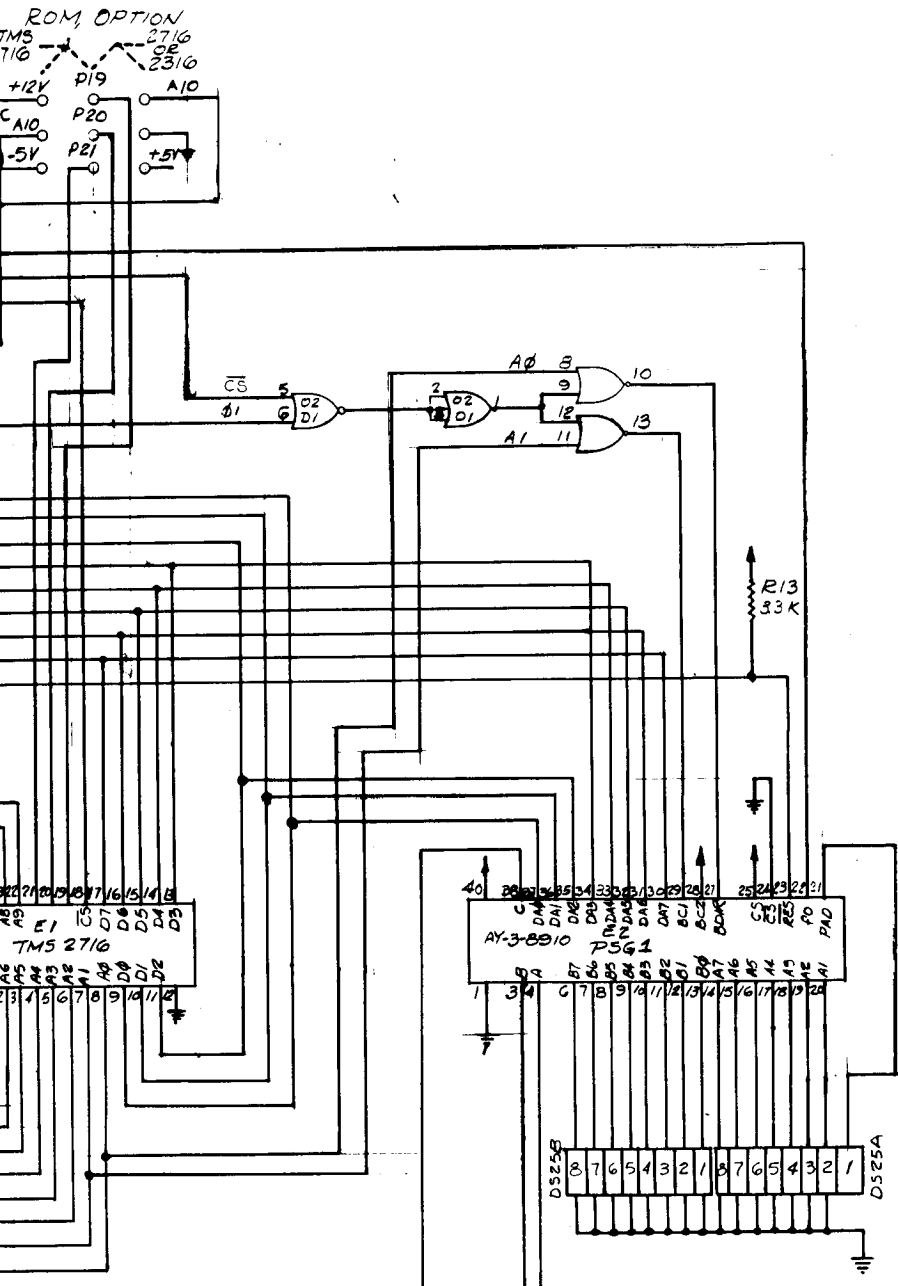
Used On	GAME PLAN Inc. 1515 W. Fullerton Ave Addison ILL. 60101		
PARTS MUST BE CLEAN AND FREE OF BURRS	Scale	Finish	Drawn By <i>14X</i>
Tolerances Unless Specified	Date 3-21-81	App	App B
Fractional ± .015	Drawing Number		02-701070
Decimal ± .005	COMPUTER BOARD		
Angles ± 1/2			
Screw Threads Class 2			

ISSUE	CHANGE	DATE



CPU
E6
6502





ISSUE	CHANGE	DATE

Used On KILLER COMET	GAME PLAN Inc. 1515 W. Fullerton Ave Addison ILL. 60101		
PARTS MUST BE CLEAN AND FREE OF BURRS	Scale	Finish	Drawn By MR
Tolerances Unless Specified	Date 25 MAR 81	App By	
Fractional ± 015	Mat'l	Drawing Number 02-700800	
Decimal ± 005	AUDIO COMPUTER BOARD		
Angles ± 1/2	INCL AUDIO AMP.IFIER		
Screw Threads Class 2			

