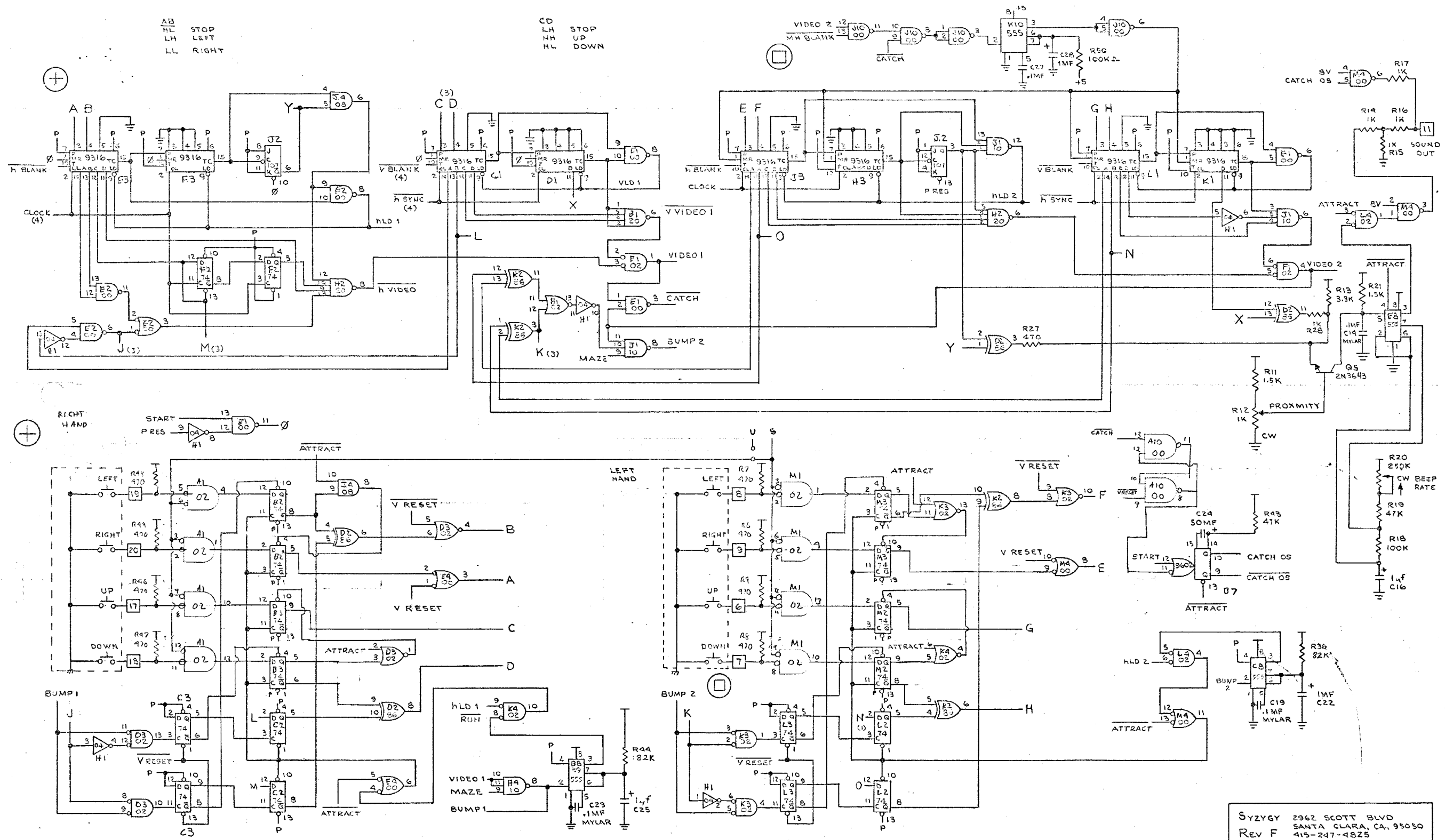


NOTE
 ALL NPN - 2N3643
 ALL PNP - 2N3644
 Ge DIODE - 1N100

7.15676 MHz		H RESET PERIOD 63.645	
1H - 3.57638 MHz	1V - 127.445	2V - 254.8	3V - 382.2
2H - 1.78919	4V - 509.7	5V - 1019.4	6V - 1529.1
4H - 4.47299	8V - 2038.9	12V - 3058.3	16V - 4077.8
6H - 2.1872	32V - 8115.6	64V - 16231.2	128V - 32462.4
32H - 1.0936	256V - 16493.7		
64H - 0.6278			
128H - 0.3139			
256H - 0.1569 MHz			

SYZYGY 2862 SCOTT BLVD
 SANTA CLARA, CA. 95050
 REV F 418-247-4825

SCHMATIC - GOTCHA
 DESIGNER:
 DRWN: PC DESIGN APP: 7-20-75 SH 1 OF 2



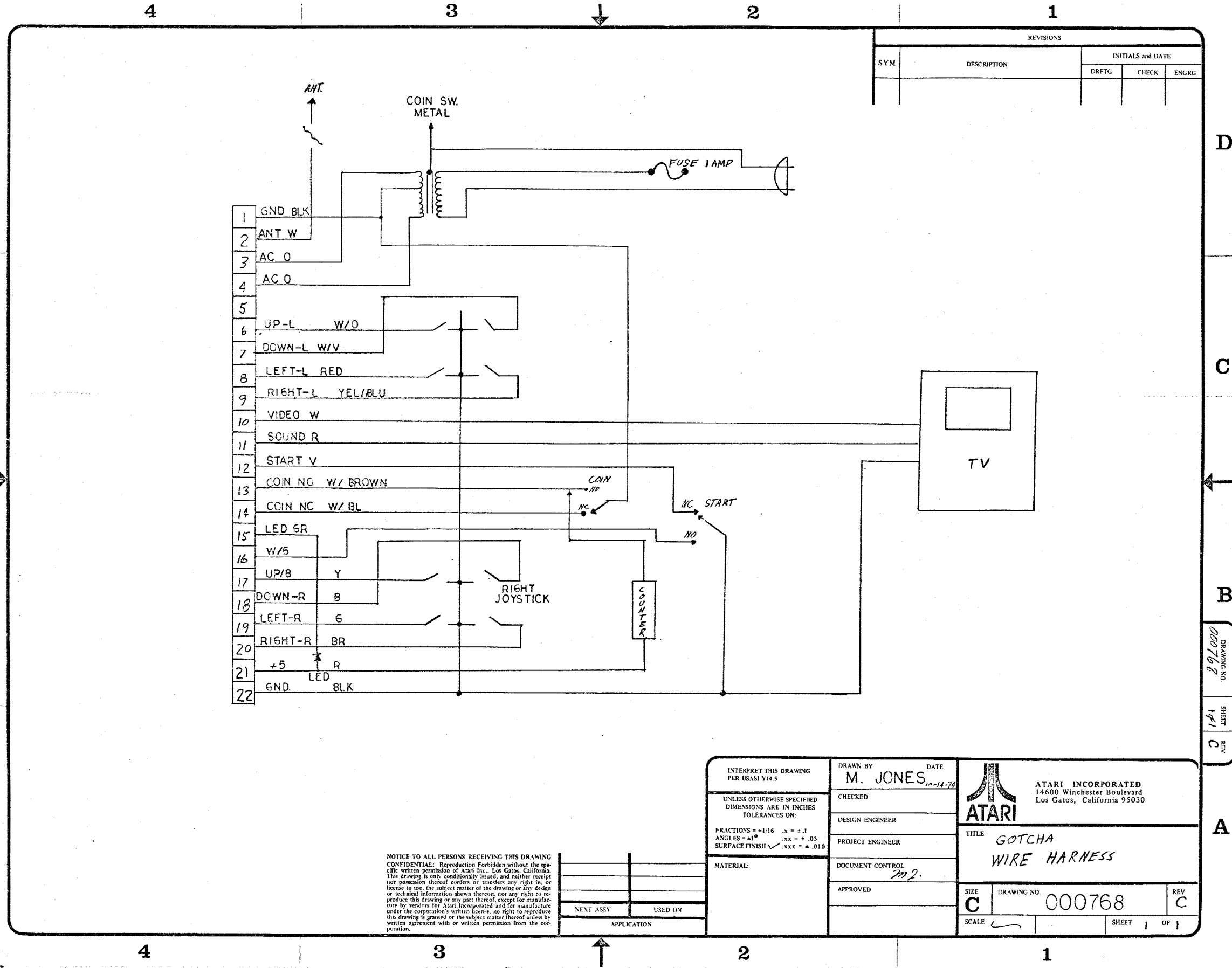
AB STOP
HL LEFT
LL RIGHT

CD STOP
HH UP
HL DOWN

SYZYGY 2962 SCOTT BLVD
SANTA CLARA, CA. 95050
REV F 415-247-4825

SCHMATIC - GOTCHA

DESIGNER:
DRWN: PC DESIGN APP: SH 2 OF 2
7-25-73
8-18-73




REVISIONS				
SYM	DESCRIPTION	INITIALS and DATE		
		DRFTG	CHECK	ENGRG

- 1 GND BLK
- 2 ANT W
- 3 AC 0
- 4 AC 0
- 5 UP-L W/O
- 6 DOWN-L W/V
- 7 LEFT-L RED
- 8 RIGHT-L YEL/BLU
- 9 VIDEO W
- 10 SOUND R
- 11 START V
- 12 COIN NO W/ BROWN
- 13 COIN NC W/ BL
- 14 LED GR W/B
- 15 UP/B Y
- 16 DOWN-R B
- 17 LEFT-R G
- 18 RIGHT-R BR
- 19 +5 LED R
- 20 GND BLK
- 21
- 22

D
 C
 B
 A
 DRAWING NO. 000768
 SHEET 1
 REV C

NOTICE TO ALL PERSONS RECEIVING THIS DRAWING
 CONFIDENTIAL: Reproduction Forbidden without the specific written permission of Atari Inc., Los Gatos, California. This drawing is only conditionally issued, and neither receipt nor possession thereof confers or transfers any right in, or license to use, the subject matter of the drawing or any design or technical information shown thereon, nor any right to reproduce this drawing or any part thereof, except for manufacture by vendors for Atari Incorporated and for manufacture under the corporation's written license. No right to reproduce this drawing is granted or the subject matter thereof unless by written agreement with or written permission from the corporation.

MATERIAL:	APPLICATION
	NEXT ASSY
	USED ON

INTERPRET THIS DRAWING PER USASI Y14.5 UNLESS OTHERWISE SPECIFIED DIMENSIONS ARE IN INCHES TOLERANCES ON: FRACTIONS = ±1/16 .x = ±.1 ANGLES = ±1° .xx = ±.03 SURFACE FINISH ✓ .xxx = ±.010	DRAWN BY M. JONES DATE 10-14-78 CHECKED DESIGN ENGINEER PROJECT ENGINEER DOCUMENT CONTROL APPROVED <i>mj</i>	 ATARI ATARI INCORPORATED 14600 Winchester Boulevard Los Gatos, California 95030 TITLE GOTCHA WIRE HARNESS	SIZE C DRAWING NO. 000768 SCALE SHEET 1 OF 1	REV C
--	---	---	---	-------