

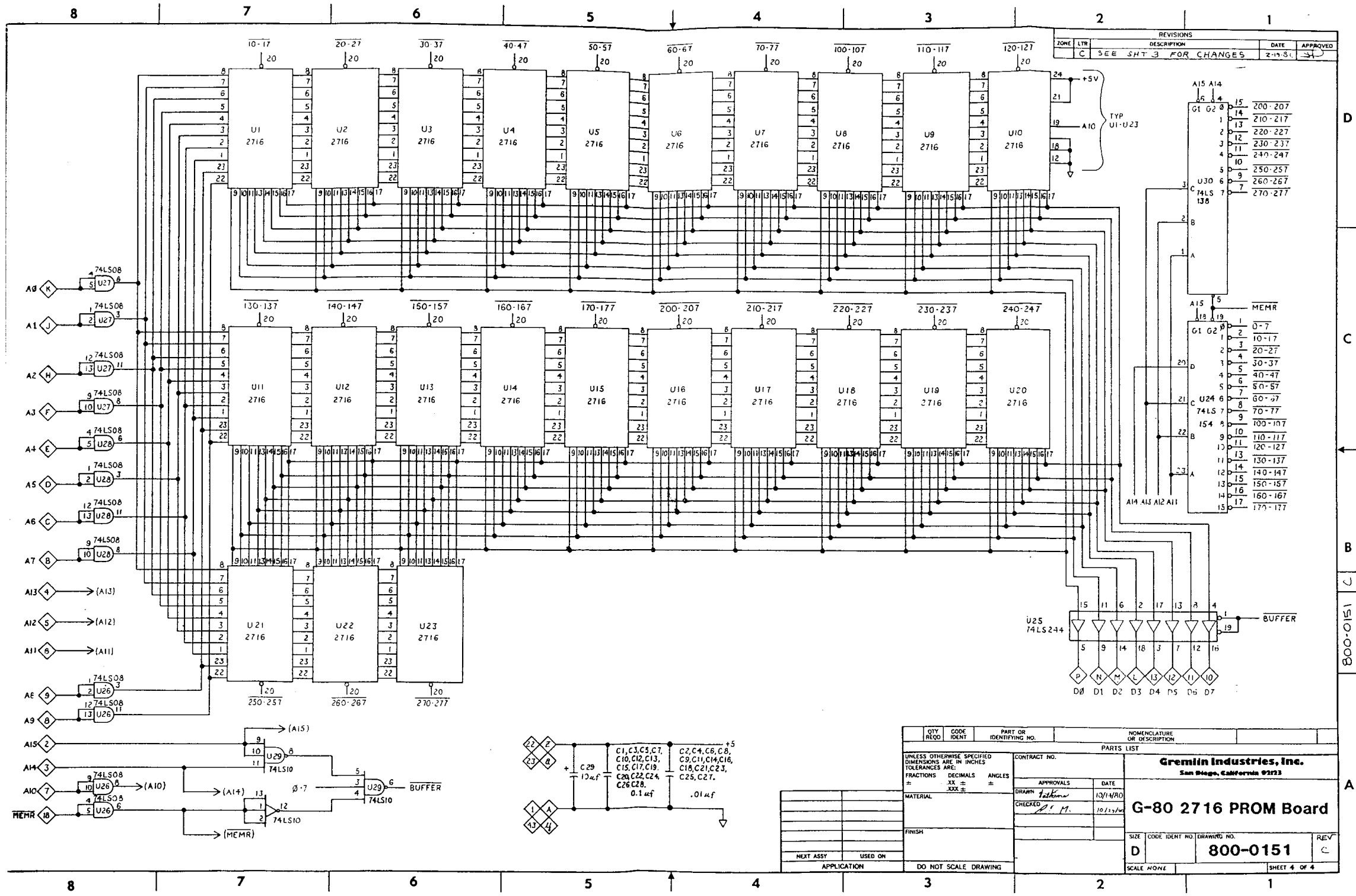
REVISIONS			
ZONE	LTW	DESCRIPTION	DATE
1		SEE SHEET 1 FOR REVISIONS C T C	10-28-80
			A. ARON

QTY REQD	CODE IDENT	PART OR IDENTIFYING NO.	NOMENCLATURE OR DESCRIPTION
			UNLESS OTHERWISE SPECIFIED DIMENSIONS ARE IN INCHES TOLERANCES ARE: FRACTIONS DECIMALS ANGLES ± .XX ± .XXX ± °
			CONTRACT NO.
			APPROVALS DATE
			DRAWN <i>[Signature]</i> 1/17/80
			CHECKED <i>[Signature]</i> 10-28-80
			DATE 10-28-80
			SIZE CODE IDENT NO. DRAWING NO. REV
			D 800-0107 E
			SCALE 1:1 (N E) SHEET 6 OF 7

Gremlin Industries, Inc.
San Diego, California 92123

CPU Board

800-0107 E

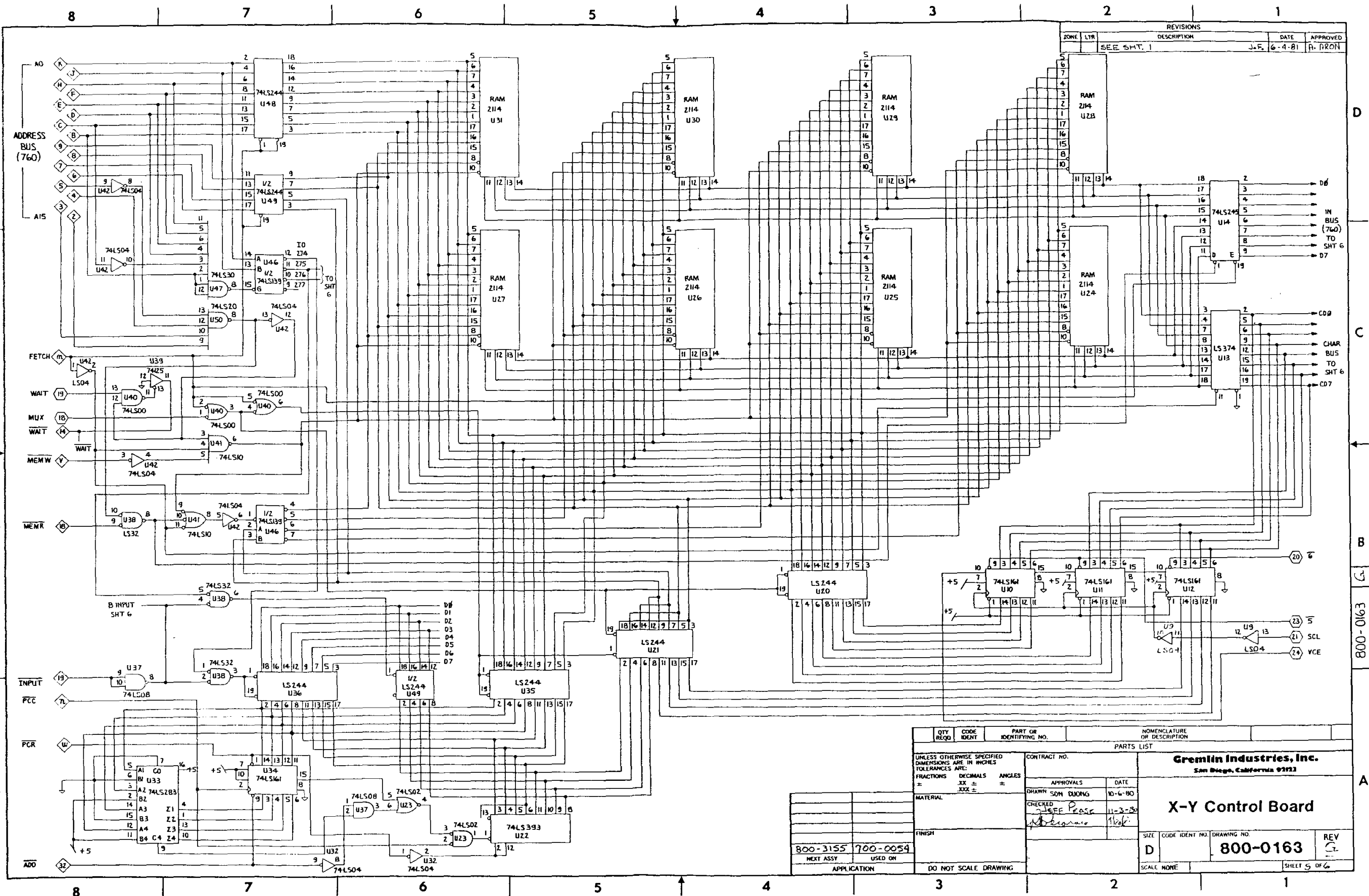


REVISIONS				
ZONE	LTR	DESCRIPTION	DATE	APPROVED
C		SEE SH 3 FOR CHANGES	2-19-81	

A15 A14		MEMR	
15	1	0-7	
14	2	10-17	
13	3	20-27	
12	4	30-37	
11	5	40-47	
10	6	50-57	
9	7	60-67	
8	8	70-77	
7	9	80-87	
6	10	90-97	
5	11	100-107	
4	12	110-117	
3	13	120-127	
2	14	130-137	
1	15	140-147	
	16	150-157	
	17	160-167	
	18	170-177	

A15 A14		MEMR	
15	1	0-7	
14	2	10-17	
13	3	20-27	
12	4	30-37	
11	5	40-47	
10	6	50-57	
9	7	60-67	
8	8	70-77	
7	9	80-87	
6	10	90-97	
5	11	100-107	
4	12	110-117	
3	13	120-127	
2	14	130-137	
1	15	140-147	
	16	150-157	
	17	160-167	
	18	170-177	

QTY	CODE	PART OR IDENTIFYING NO.	NOMENCLATURE OR DESCRIPTION
			PARTS LIST
UNLESS OTHERWISE SPECIFIED DIMENSIONS ARE IN INCHES			
TOLERANCES ARE:			
FRACTIONS	DECIMALS	ANGLES	
±	±	±	
CONTRACT NO.			
APPROVALS			
DATE			
DRAWN			
CHECKED			
MATERIAL			
FINISH			
NEXT ASSY			
USED ON			
APPLICATION			
DO NOT SCALE DRAWING			
Grem Industries, Inc. San Diego, California 92123			
G-80 2716 PROM Board			
SIZE	CODE IDENT NO.	DRAWING NO.	REV
D		800-0151	C
SCALE	NONE		SHEET 4 OF 4

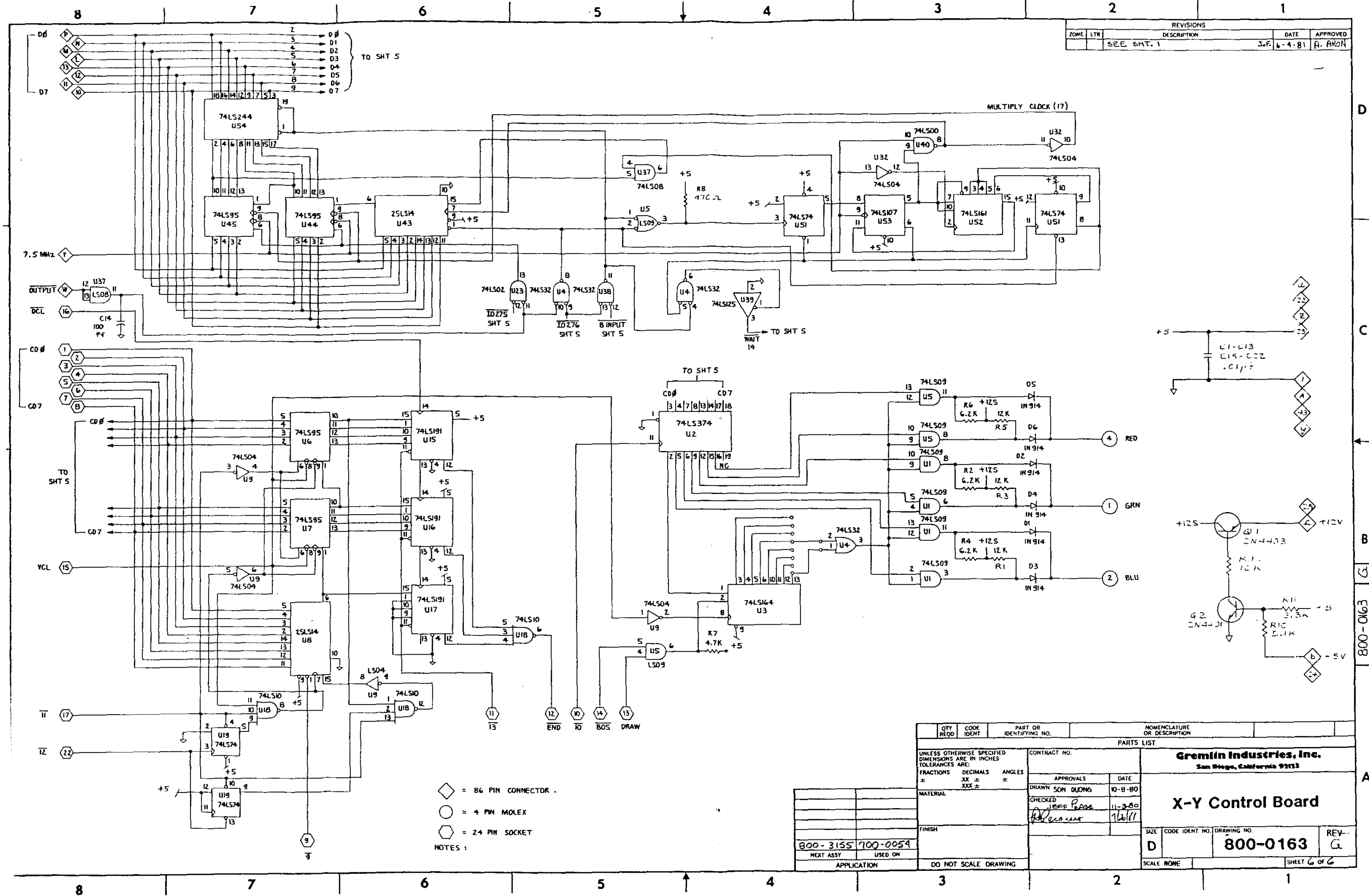


REVISIONS				
ZONE	LTR	DESCRIPTION	DATE	APPROVED
		SEE SHT. 1	J.F. 6-4-81	A. IRON

QTY REQD	CODE IDENT	PART OR IDENTIFYING NO.	NOMENCLATURE OR DESCRIPTION
PARTS LIST			
UNLESS OTHERWISE SPECIFIED DIMENSIONS ARE IN INCHES TOLERANCES ARE:		CONTRACT NO.	
FRACTIONS	DECIMALS	ANGLES	
±	±	±	
MATERIAL		APPROVALS	DATE
FINISH		CHECKED	
NEXT ASSY USED ON		Gremlin Industries, Inc. San Diego, California 92123	
APPLICATION		X-Y Control Board	
DO NOT SCALE DRAWING		SIZE	CODE IDENT NO. DRAWING NO.
SCALE NONE		D	800-0163
		REV	
		SCALE NONE	SHEET 5 OF 6

800-0163

REVISIONS				
ZONE	LTR	DESCRIPTION	DATE	APPROVED
		SEE SHT. 1	J.F. 6-4-81	A. AKOH

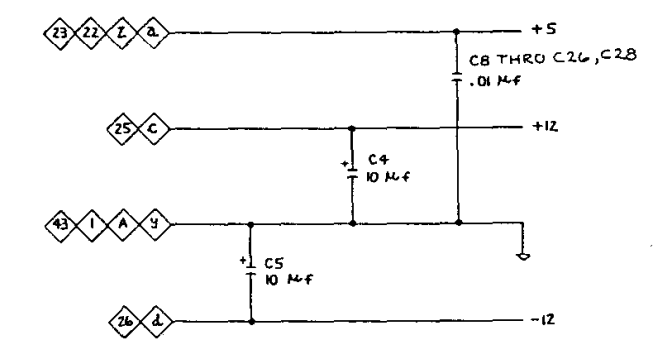
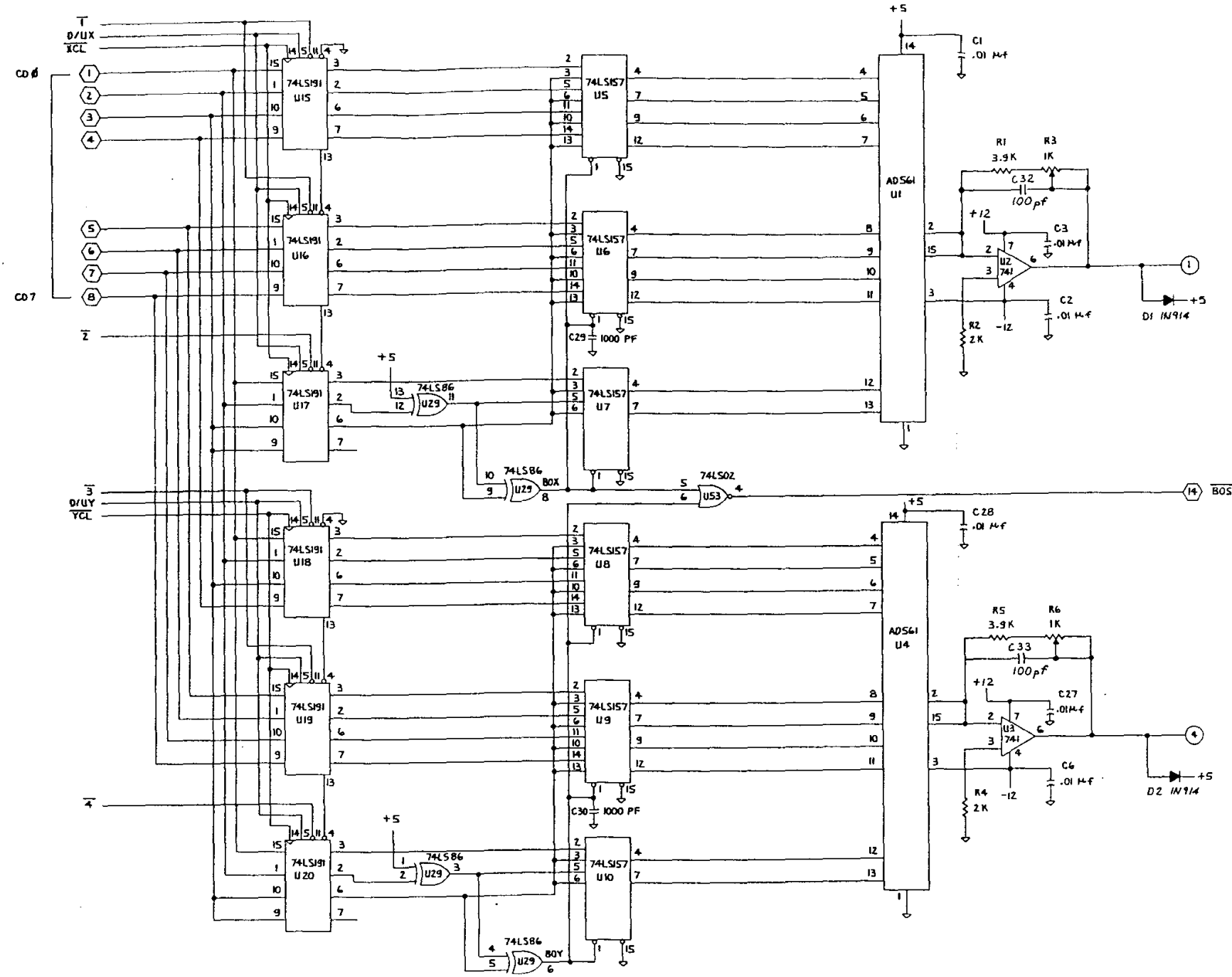


- ◇ = 8 PIN CONNECTOR
 ○ = 4 PIN MOLEX
 □ = 24 PIN SOCKET
 NOTES:

QTY REQD	CODE IDENT	PART OR IDENTIFYING NO.	NOMENCLATURE OR DESCRIPTION
PARTS LIST			
UNLESS OTHERWISE SPECIFIED DIMENSIONS ARE IN INCHES TOLERANCES ARE:			
FRACTIONS	DECIMALS	ANGLES	
±	.XX ±	° ±	
		XXX ±	
MATERIAL		CONTRACT NO.	Gremiin Industries, Inc. San Diego, California 92113
FINISH		APPROVALS	
APPLICATION		DATE	X-Y Control Board
DO NOT SCALE DRAWING			
800-3155 700-0054		DRAWN SON DUONG 10-8-80	SIZE CODE IDENT NO. DRAWING NO. D 800-0163
		CHECKED JEFF PAGE 11-3-80	
		APPROVED [Signature]	REV. G
			SCALE NONE SHEET 6 OF 6

800-0163

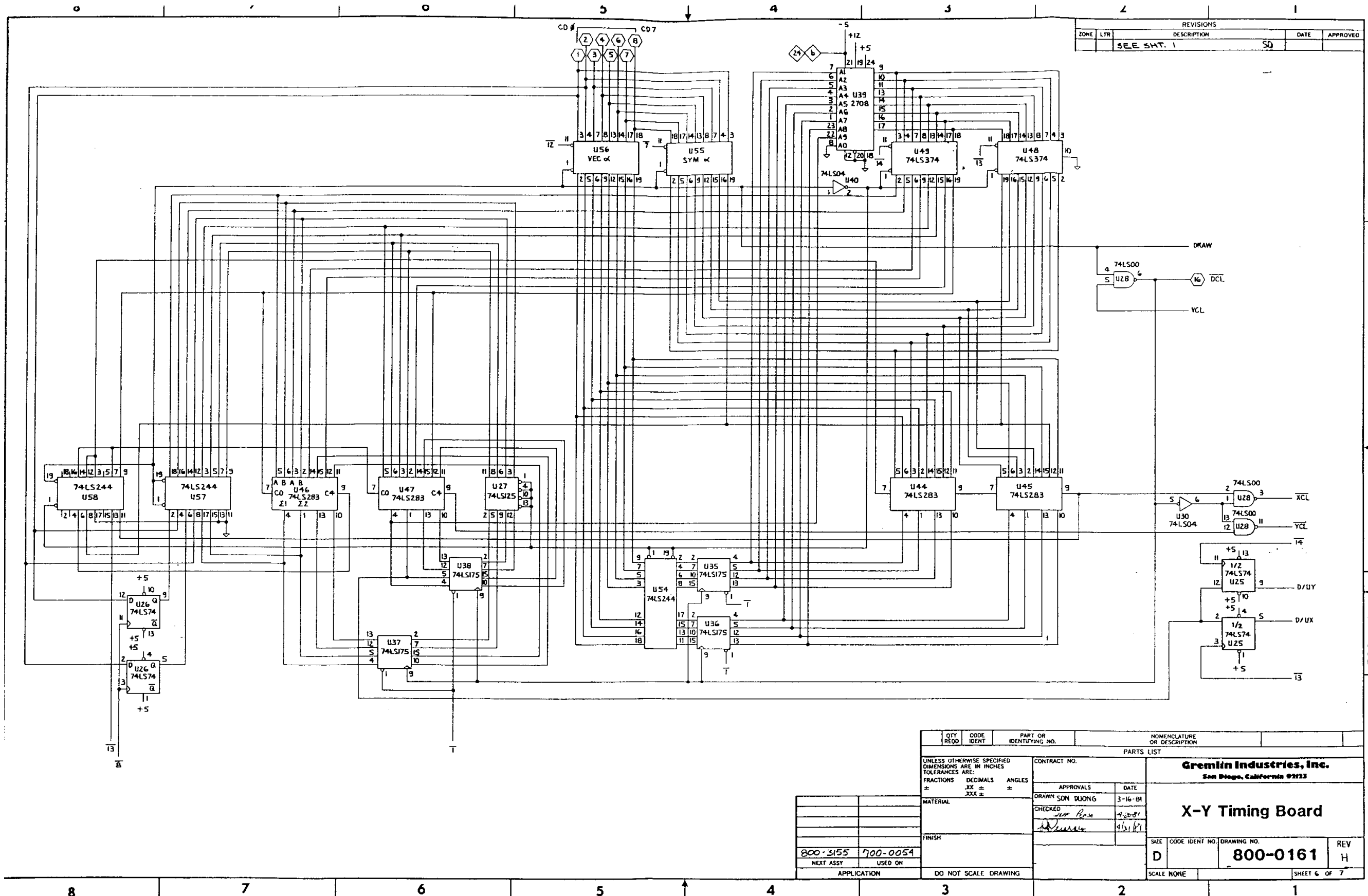
REVISIONS				
ZONE	LTR	DESCRIPTION	DATE	APPROVED
		S.E.E. SHT. 1		
			SD	



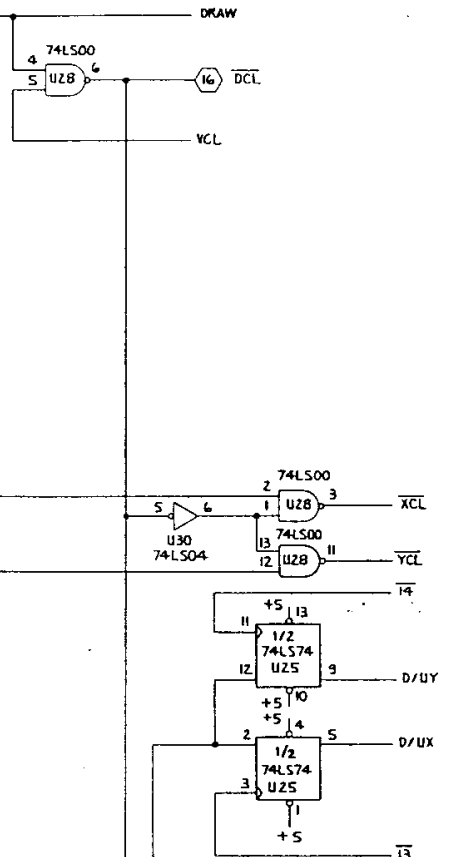
- ◇ = 8 PIN CONNECTOR .
- = 4 PIN MOLEX .
- ⊕ = 2+ PIN SOCKET .

NOTES :

QTY REQD	CODE IDENT	PART OR IDENTIFYING NO.	NOMENCLATURE OR DESCRIPTION
PARTS LIST			
UNLESS OTHERWISE SPECIFIED DIMENSIONS ARE IN INCHES TOLERANCES ARE:		CONTRACT NO. Gremlin Industries, Inc. San Diego, California 92122	
FRACTIONS	DECIMALS	ANGLES	APPROVALS DATE
±	±	±	DRAWN SON DUONG 3-12-81
MATERIAL		CHECKED <i>[Signature]</i> 4-20-81	
FINISH		DATE <i>[Signature]</i> 4/6/81	
800-3155	700-0054	SIZE D	CODE IDENT NO. 800-0161
NEXT ASSY	USED ON	DRAWING NO.	REV H
APPLICATION	DO NOT SCALE DRAWING	SCALE NONE	SHEET 5 OF 7



REVISIONS			
ZONE	LTR	DESCRIPTION	DATE
		SEE SHT. 1	SD



QTY REQD	CODE IDENT	PART OR IDENTIFYING NO.	NOMENCLATURE OR DESCRIPTION
PARTS LIST			
UNLESS OTHERWISE SPECIFIED DIMENSIONS ARE IN INCHES TOLERANCES ARE:		CONTRACT NO.	
FRACTIONS	DECIMALS	ANGLES	
±	.XX ±	±	
	.XXX ±		
MATERIAL		APPROVALS	
		DRAWN SDN DLONG	
		DATE 3-16-81	
		CHECKED <i>for Box</i>	
		DATE 4/28/81	
FINISH		SIZE CODE IDENT NO. DRAWING NO.	
		D 800-0161	
APPLICATION		SCALE NONE	
DO NOT SCALE DRAWING		SHEET 6 OF 7	

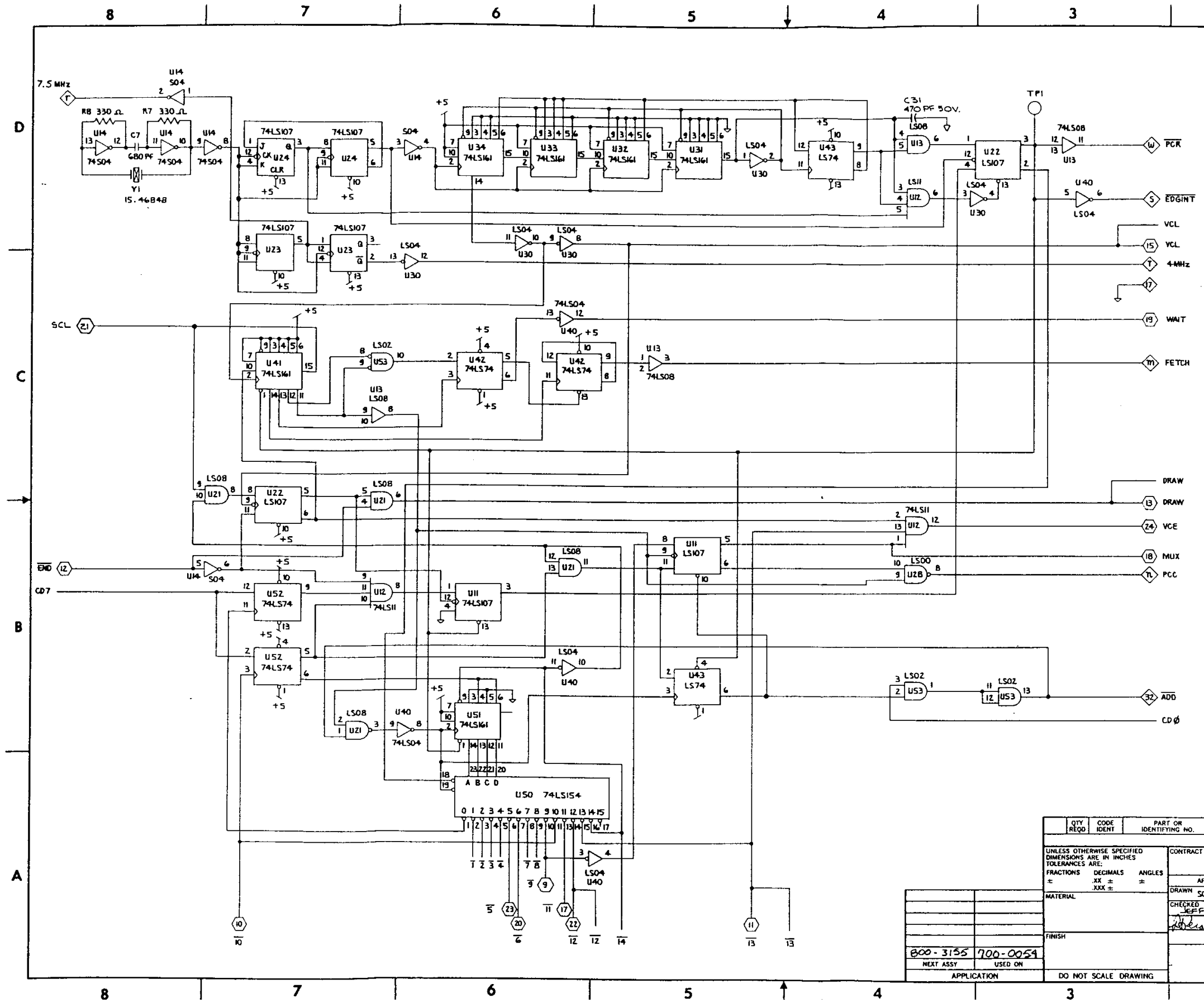
Gremlin Industries, Inc.
San Diego, California 92123

X-Y Timing Board

800-3155 700-0054
NEXT ASSY USED ON

D
C
B
H
A
800-0161

REVISIONS				
ZONE	LTR	DESCRIPTION	DATE	APPROVED
		SEE SHT. 1	SD	



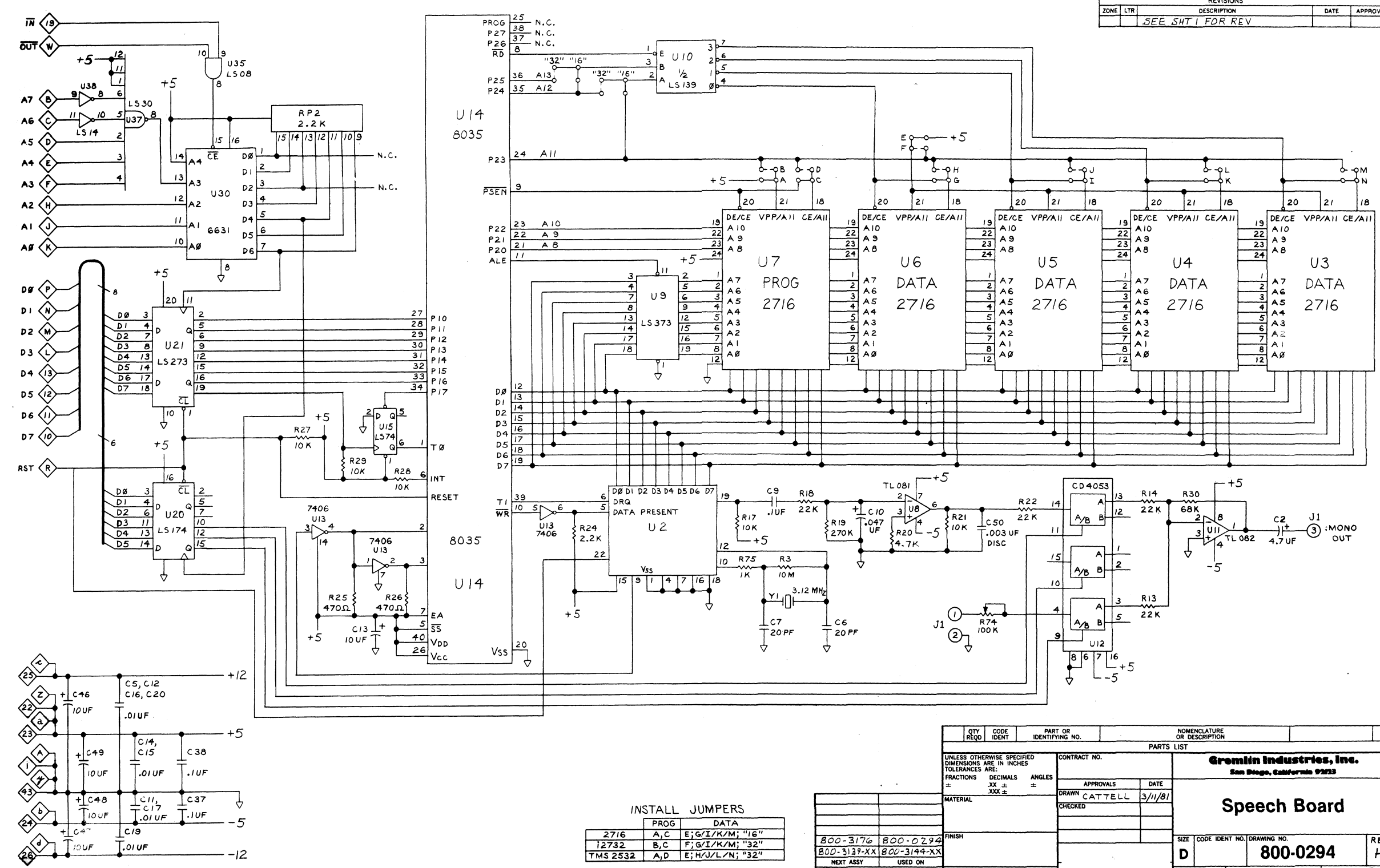
QTY REQD	CODE IDENT	PART OR IDENTIFYING NO.	NOMENCLATURE OR DESCRIPTION
PARTS LIST			
UNLESS OTHERWISE SPECIFIED DIMENSIONS ARE IN INCHES TOLERANCES ARE:		CONTRACT NO.	
FRACTIONS	DECIMALS	ANGLES	APPROVALS
±	±	±	DATE
MATERIAL		DRAWN SON DUONG 10-14-80	
FINISH		CHECKED JEFF PEASE 11-6-80	
NEXT ASSY USED ON		DATE 1/20/81	
APPLICATION		DO NOT SCALE DRAWING	
800-3155 700-0054		SIZE CODE IDENT NO. DRAWING NO.	
D -		800-0161	
SCALE NONE		REV H	
SHEET 7 OF 7			

Gremlin Industries, Inc.
San Diego, California 92123

X-Y Timing Board

SIZE CODE IDENT NO. DRAWING NO. REV
D - 800-0161 H

REVISIONS				
ZONE	LTR	DESCRIPTION	DATE	APPROVED
		SEE SHT 1 FOR REV		

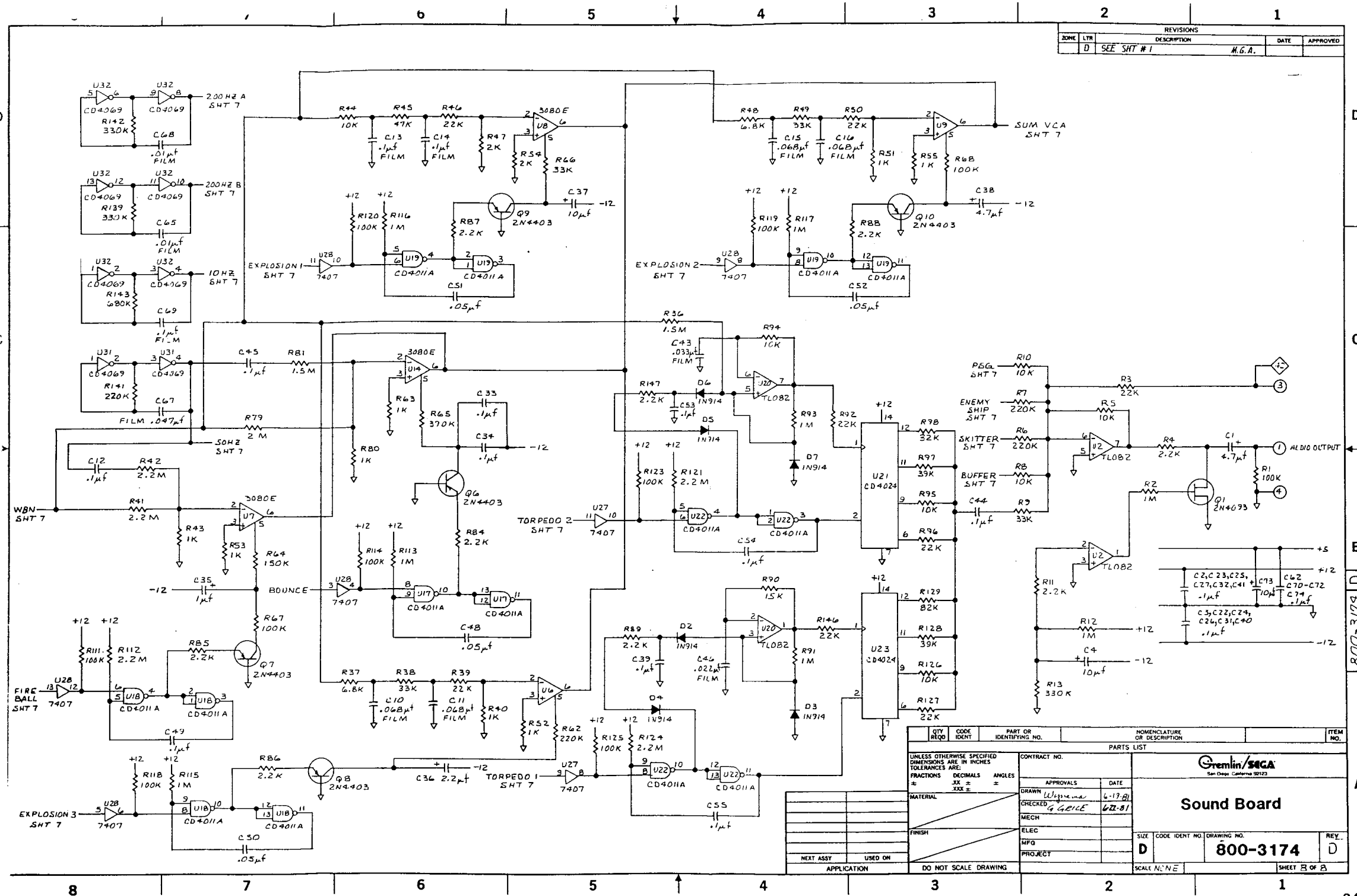


INSTALL JUMPERS

	PROG	DATA
2716	A,C	E;G/I/K/M; "16"
12732	B,C	F;G/I/K/M; "32"
TMS 2532	A,D	E;H/J/L/N; "32"

QTY REQD	CODE IDENT	PART OR IDENTIFYING NO.	NOMENCLATURE OR DESCRIPTION
PARTS LIST			
UNLESS OTHERWISE SPECIFIED DIMENSIONS ARE IN INCHES TOLERANCES ARE: FRACTIONS DECIMALS ANGLES ± .XX ± .XXX ± ±			
MATERIAL		CONTRACT NO.	Gromlin Industries, Inc. San Diego, California 92123
FINISH		APPROVALS DATE	
NEXT ASSY USED ON		DRAWN CATTELL 3/11/81	Speech Board
APPLICATION		CHECKED	
DO NOT SCALE DRAWING		SIZE CODE IDENT NO. DRAWING NO.	REV
SCALE NONE		D 800-0294	H
SHEET 5 OF 5			

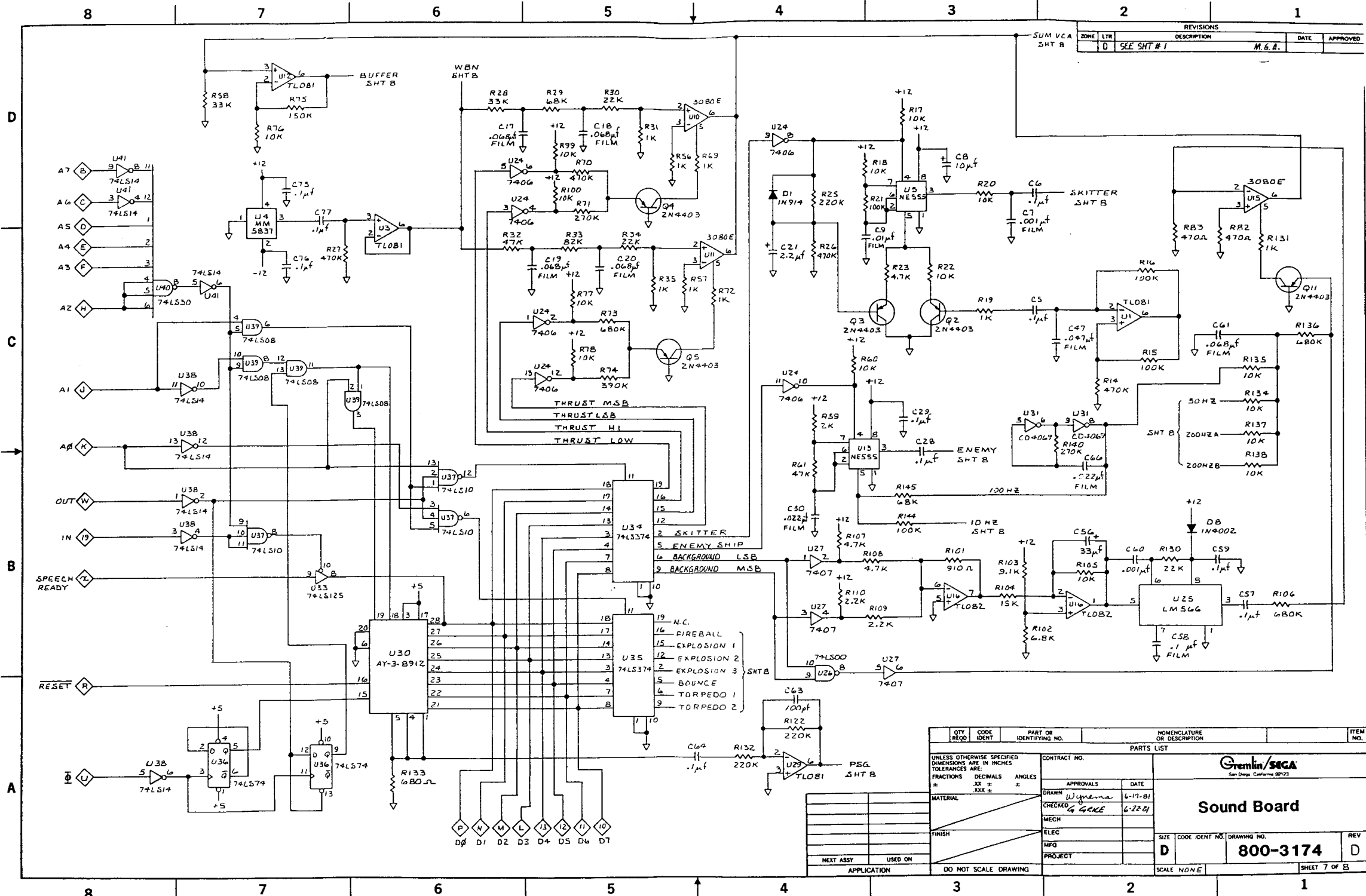
800-008 H



REVISIONS				
ZONE	LTR	DESCRIPTION	DATE	APPROVED
D		SEE SHT #1	M.G.A.	

QTY	CODE	PART OR IDENTIFYING NO.	NOMENCLATURE OR DESCRIPTION	ITEM NO.
UNLESS OTHERWISE SPECIFIED DIMENSIONS ARE IN INCHES TOLERANCES ARE: FRACTIONS DECIMALS ANGLES				
CONTRACT NO.				
APPROVALS DATE				
DRAWN <i>W. J. ...</i> 6-19-81				
CHECKED <i>G. GEICE</i> 6-22-81				
MECH				
ELEC				
MFG				
PROJECT				
DO NOT SCALE DRAWING			SIZE CODE IDENT NO. DRAWING NO.	REV.
			D 800-3174	D
			SCALE: N/E	SHEET 1 OF 2

800-3174

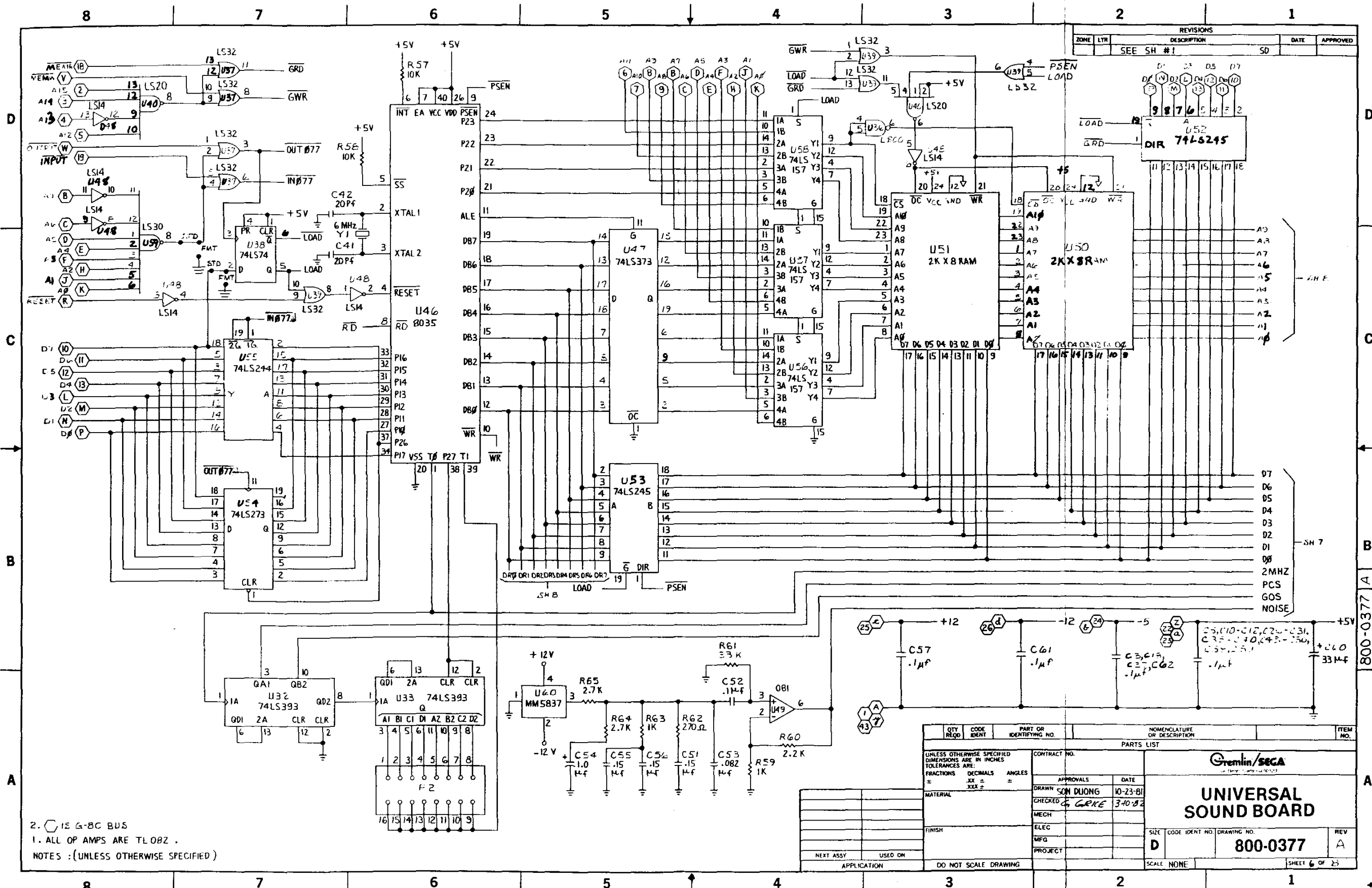


REVISIONS				
ZONE	LTR	DESCRIPTION	DATE	APPROVED
0		SEE SHT #1	M. B. B.	

QTY	CODE	PART OR IDENTIFYING NO.	NOMENCLATURE OR DESCRIPTION	ITEM NO.
PARTS LIST				
UNLESS OTHERWISE SPECIFIED DIMENSIONS ARE IN INCHES TOLERANCES ARE: FRACTIONS DECIMALS ANGLES ± .XX ± .XXX ± °				
MATERIAL		CONTRACT NO.		
FINISH		APPROVALS		
NEXT ASSY		DRAWN <i>W. J. ...</i> DATE 6-17-81		
USED ON		CHECKED <i>G. G. ...</i> DATE 6-22-81		
APPLICATION		MECH		
DO NOT SCALE DRAWING		ELEC		
		MFG		
		PROJECT		
		SIZE CODE IDENT NO. DRAWING NO.		
		D 800-3174		
		SCALE NONE		
		SHEET 7 OF 8		

Sound Board

800-3174



ZONE	LTR	DESCRIPTION	DATE	APPROVED
		SEE SH #1	SD	

QTY REQD	CODE IDENT	PART OR IDENTIFYING NO	NOMENCLATURE OR DESCRIPTION	ITEM NO.

PARTS LIST		CONTRACT NO.		DATE	

APPROVALS		DATE	
DRAWN SON DUONG		10-23-81	
CHECKED G. GRINE		3-10-82	

MATERIAL		FINISH	

UNLESS OTHERWISE SPECIFIED DIMENSIONS ARE IN INCHES TOLERANCES ARE:		FRACCTIONS		DECIMALS		ANGLES	
		±		±		±	

MATERIAL		FINISH	

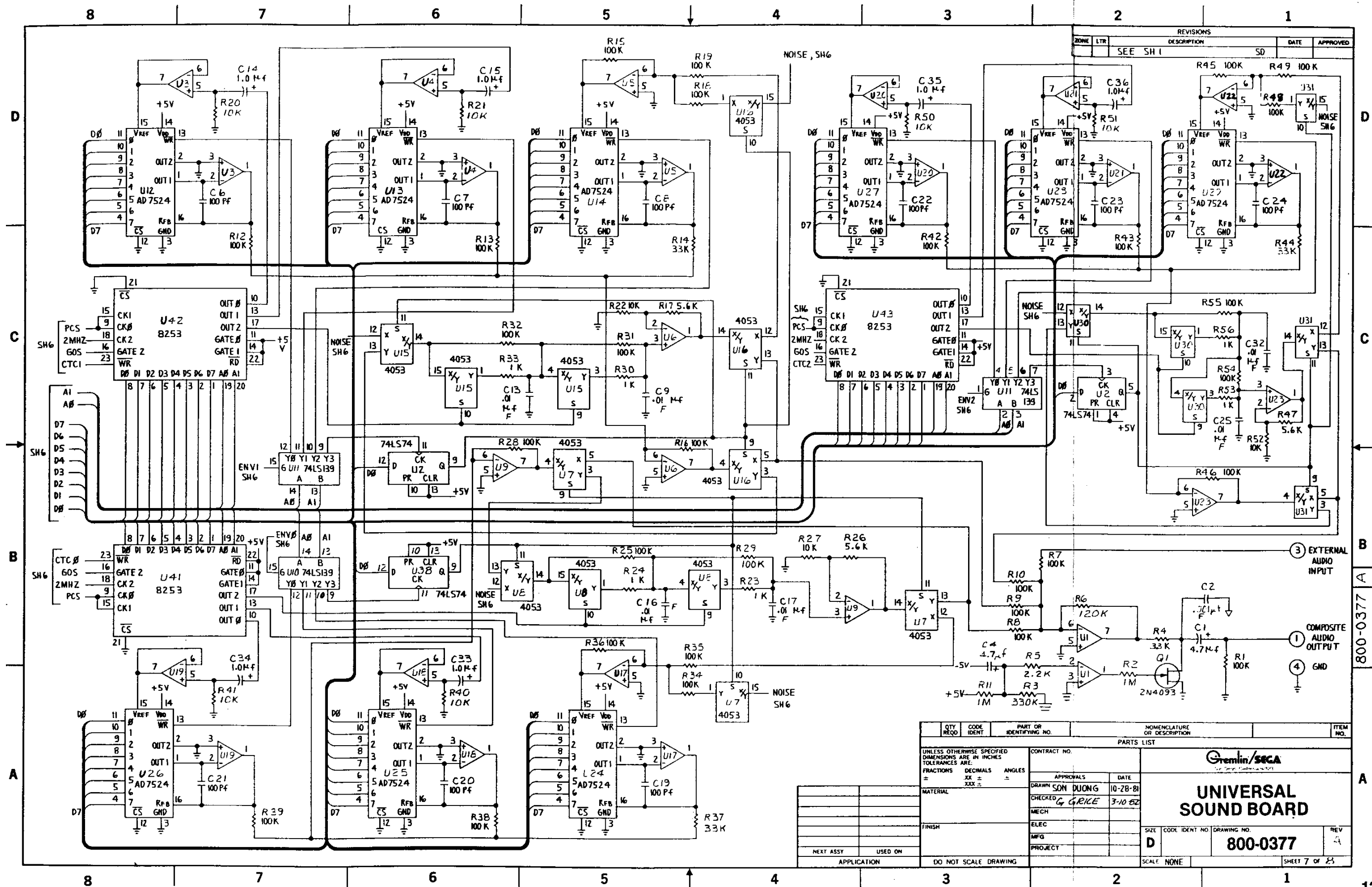
UNIVERSAL SOUND BOARD		DRAWING NO.		REV	
		800-0377		A	

SIZE		CODE IDENT NO.		DRAWING NO.		REV	
D				800-0377		A	

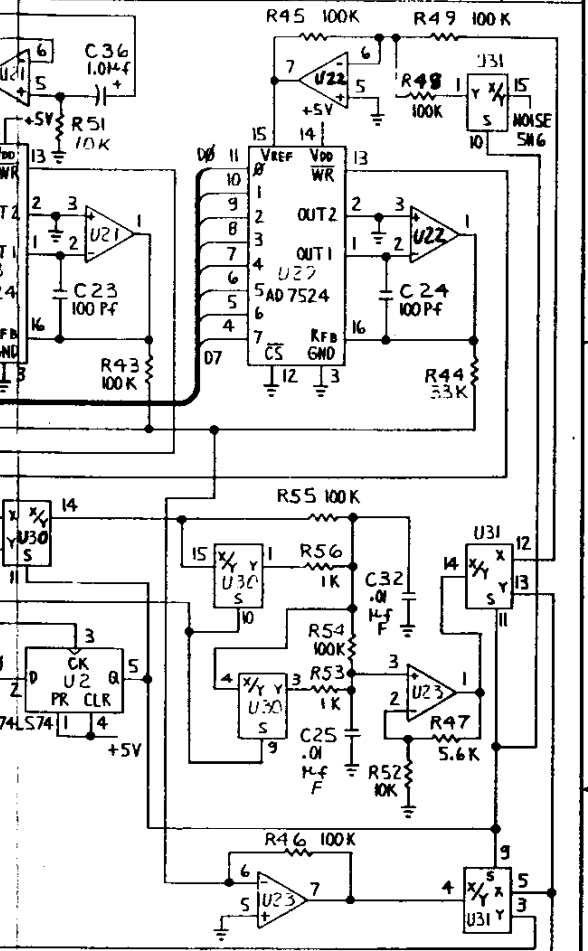
SCALE		SHEET	
NONE		6 OF 25	

2. \square IS G-BC BUS
 1. ALL OP AMPS ARE TLOBZ.
 NOTES: (UNLESS OTHERWISE SPECIFIED)

800-0377 A



ZONE	LTR	DESCRIPTION	DATE	APPROVED
		SEE SH 1		

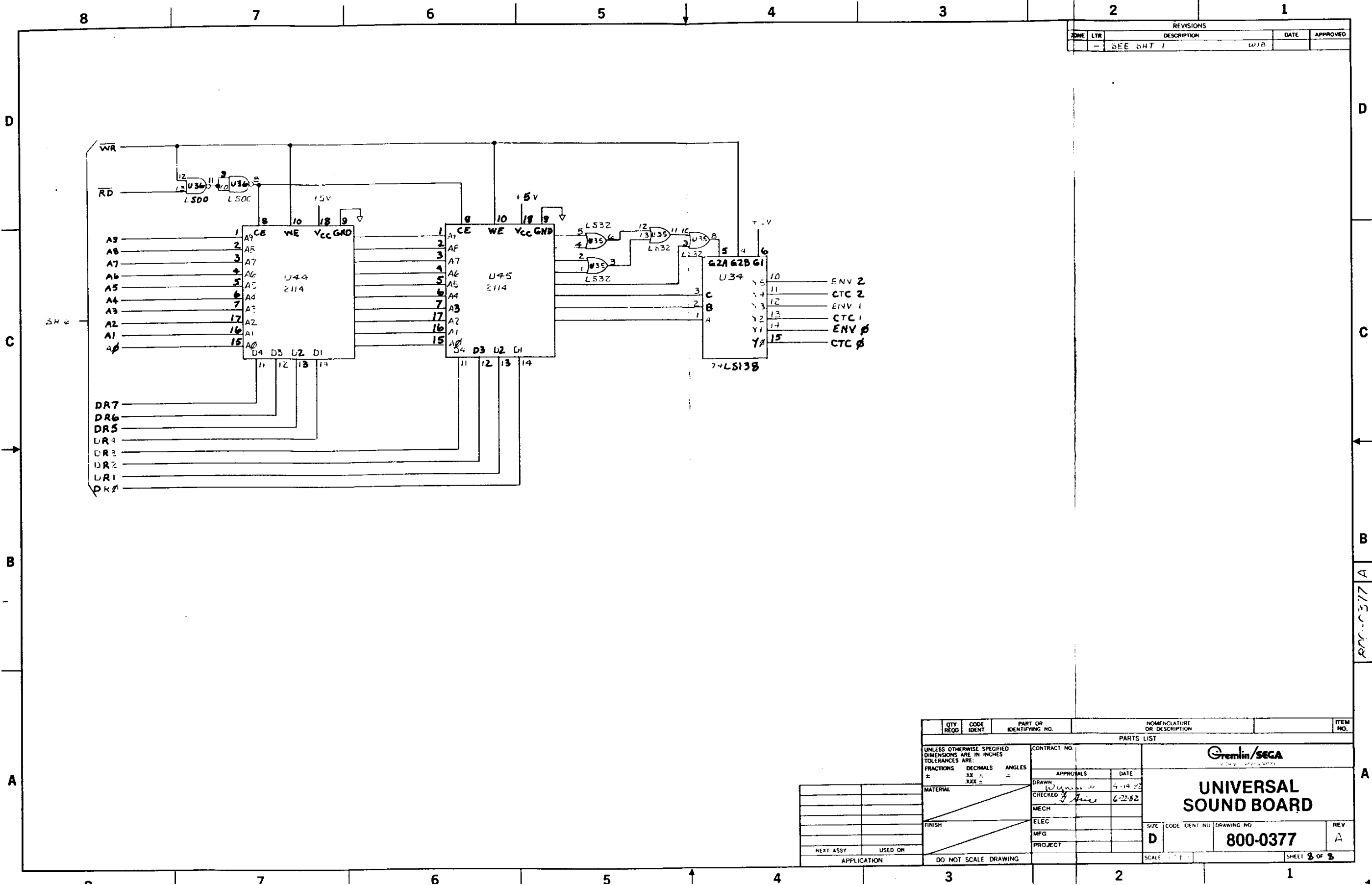


QTY	CODE	PART OR IDENTIFYING NO.	NOMENCLATURE OR DESCRIPTION	ITEM NO.

PARTS LIST		CONTRACT NO.	
UNLESS OTHERWISE SPECIFIED DIMENSIONS ARE IN INCHES TOLERANCES ARE:			
FRACTIONS	DECIMALS	ANGLES	
±	±	±	
±	±	±	
MATERIAL		APPROVALS	DATE
		DRAWN SON DUONG	10-28-81
		CHECKED G. GRICE	3-10-82
		MECH	
		ELEC	
		MFG	
		PROJECT	

GREMLIN/SEGA	
UNIVERSAL SOUND BOARD	
SIZE	CODE IDENT NO DRAWING NO.
D	800-0377
SCALE	NONE
	SHEET 7 OF 25

800-0377



D
C
B
A

D
C
B
A

REVISIONS			
ZONE	LTR	DESCRIPTION	DATE
-	-	SEE SHT 1	WJB

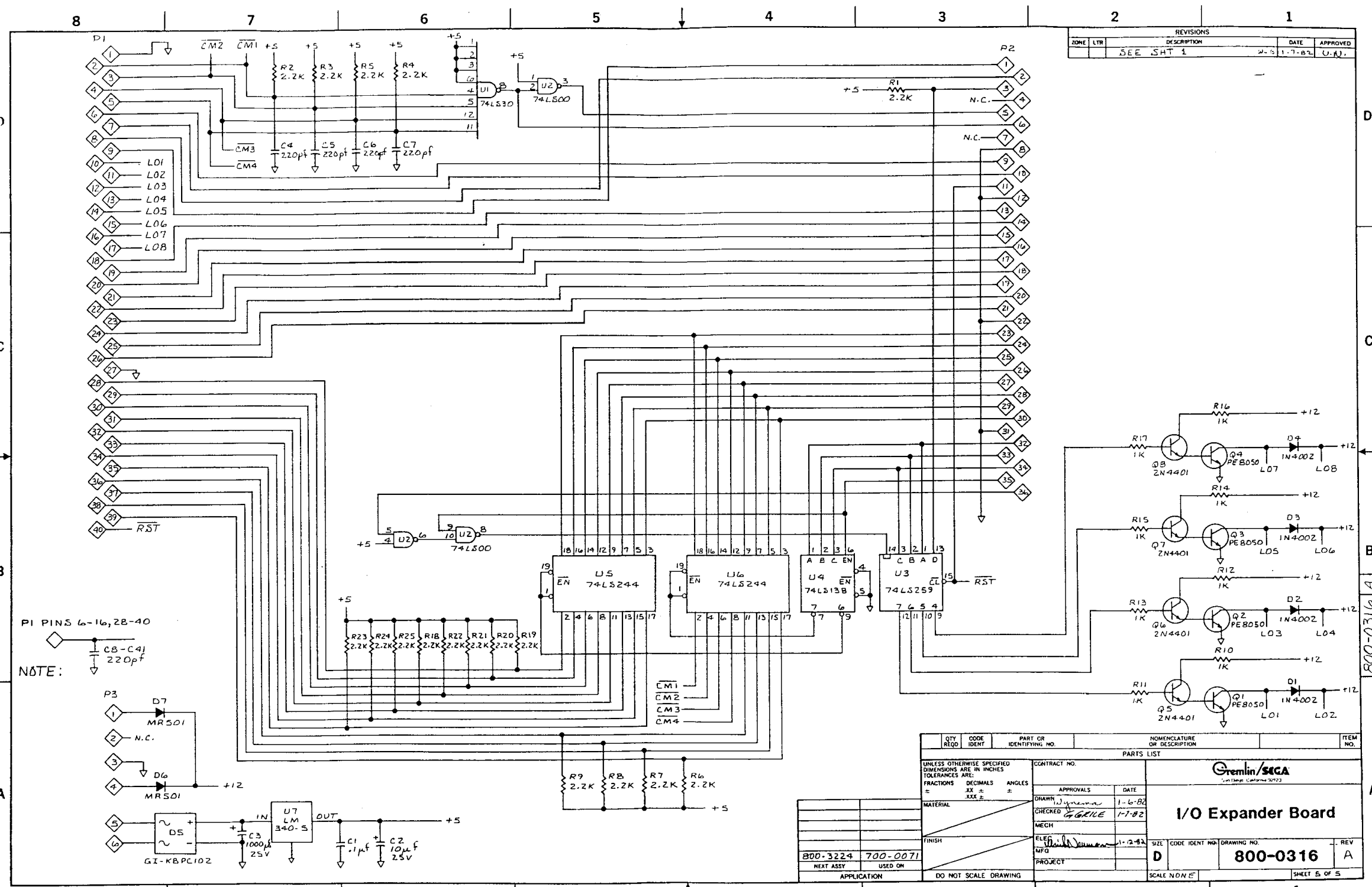
QTY REQD	CODE IDENT	PART OR IDENTIFYING NO.	NOMENCLATURE OR DESCRIPTION	ITEM NO.
PARTS LIST				
UNLESS OTHERWISE SPECIFIED DIMENSIONS ARE IN INCHES TOLERANCES ARE:		CONTRACT NO.		
FRACTIONS	DECIMALS	ANGLES	APPROVALS	DATE
±	XX ±	±	<i>[Signature]</i>	6-22-82
±	XXX ±			
MATERIAL	FINISH		ELEC	
			MECH	
			MFG	
			PROJECT	
NEXT ASSY	USED ON	DO NOT SCALE DRAWING		
		SCALE		

Gremlin/SEGA
UNIVERSAL SOUND BOARD

SIZE CODE IDENT NO DRAWING NO REV
D 800-0377 A

SHEET 8 OF 8

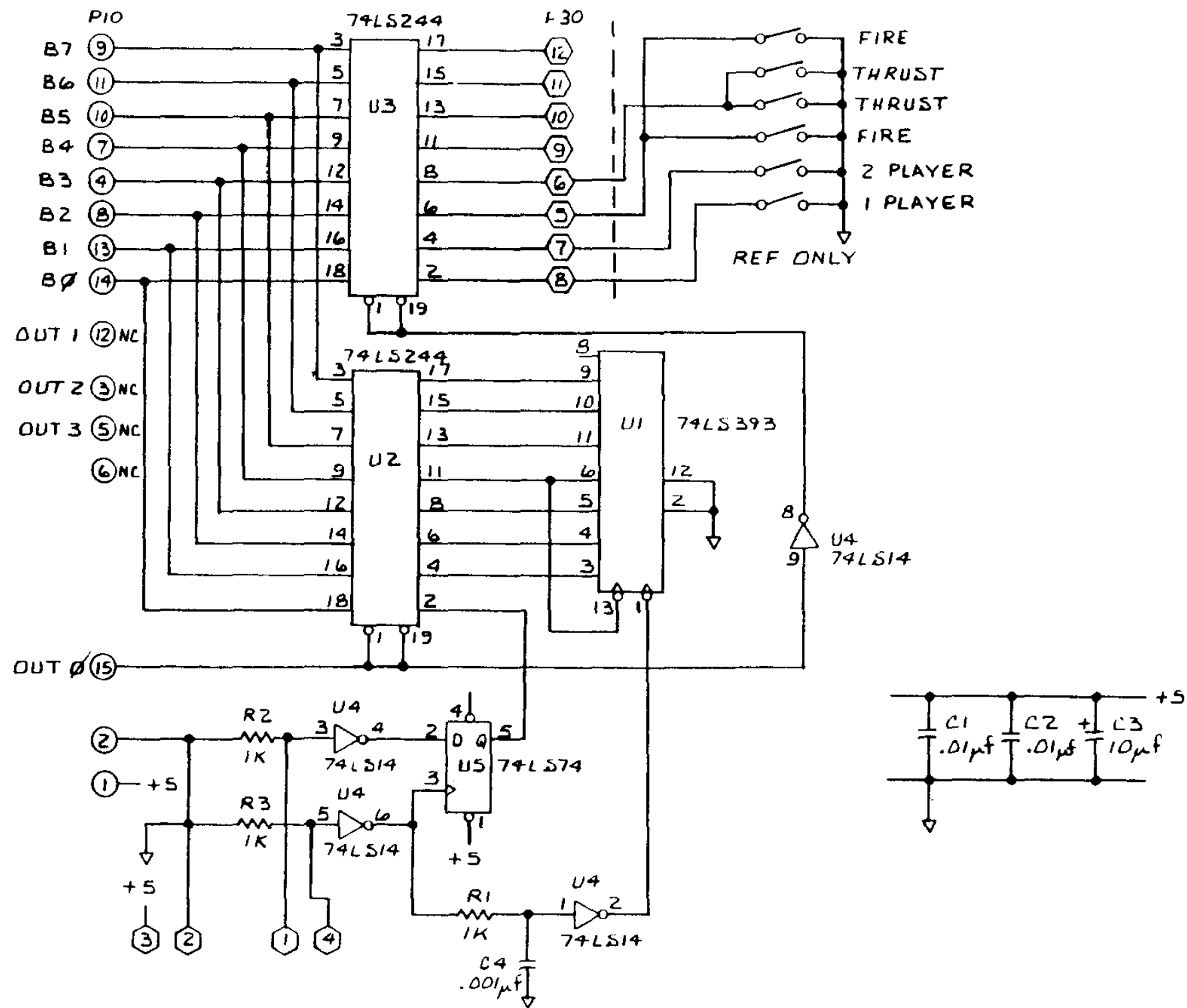
REV. C-377 A



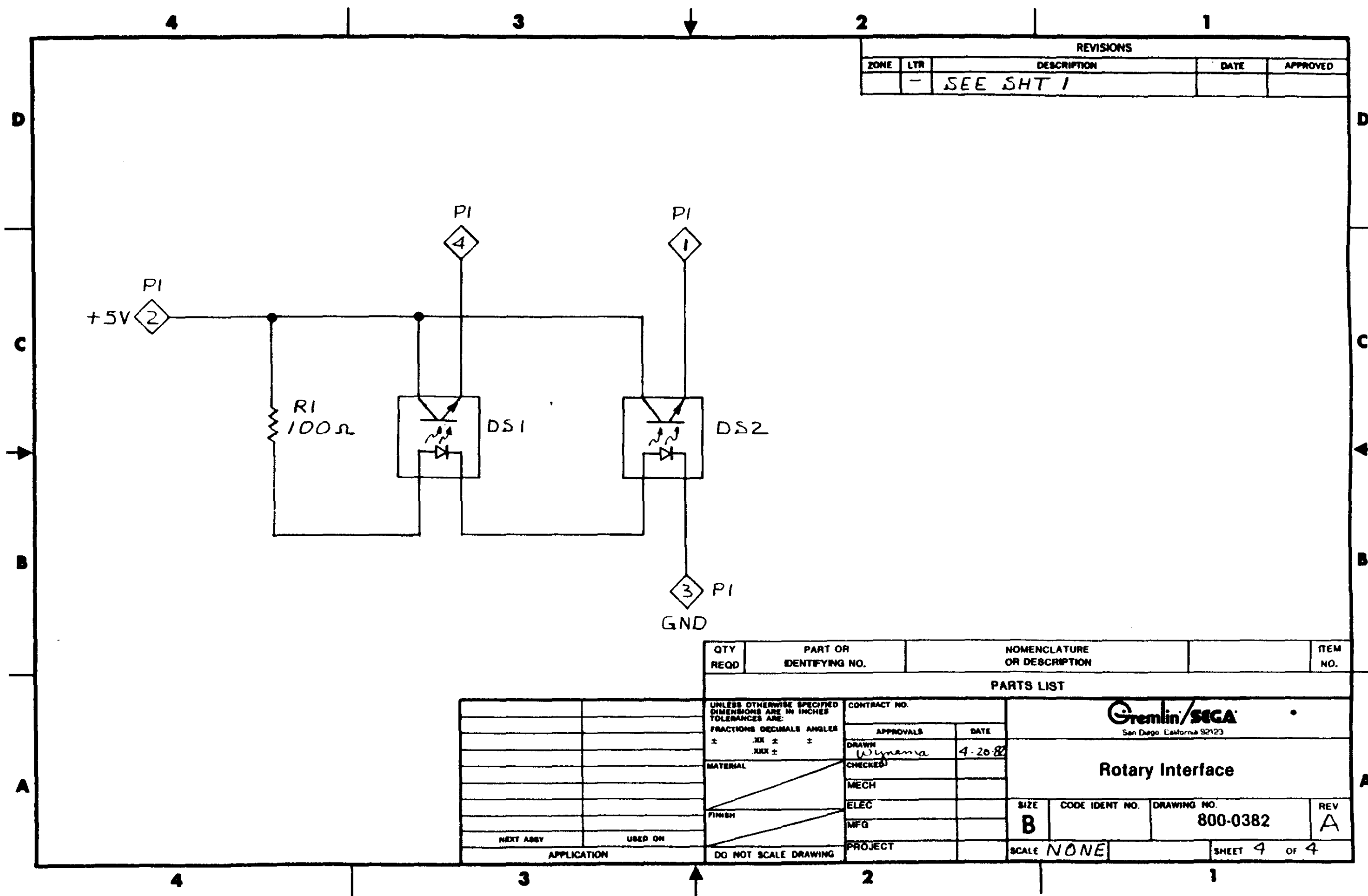
REVISIONS			
ZONE	LTR	DESCRIPTION	DATE
		SEE SHT 1	1-7-82

NOTE:
PI PINS 6-16, 28-40
C3-C4
220pf

QTY	CODE	PART OR IDENTIFYING NO.	NOMENCLATURE OR DESCRIPTION	ITEM NO.
			PARTS LIST	
UNLESS OTHERWISE SPECIFIED DIMENSIONS ARE IN INCHES TOLERANCES ARE: FRACTIONS DECIMALS ANGLES				
MATERIAL				
FINISH				
CONTRACT NO.				
APPROVALS		DATE		
DRAWN <i>J. J. ...</i>		1-6-82		
CHECKED <i>G. GRICE</i>		1-7-82		
MECH				
ELEC <i>J. J. ...</i>		1-12-82		
MFG				
PROJECT				
800-3224		700-0071		
NEXT ASSY		USED ON		
APPLICATION				
DO NOT SCALE DRAWING				
Gremlin/SACA			I/O Expander Board	
D		800-0316		A
SCALE NDN E			SHEET 5 OF 5	



Single Player Control
Panel Interface
800-0374

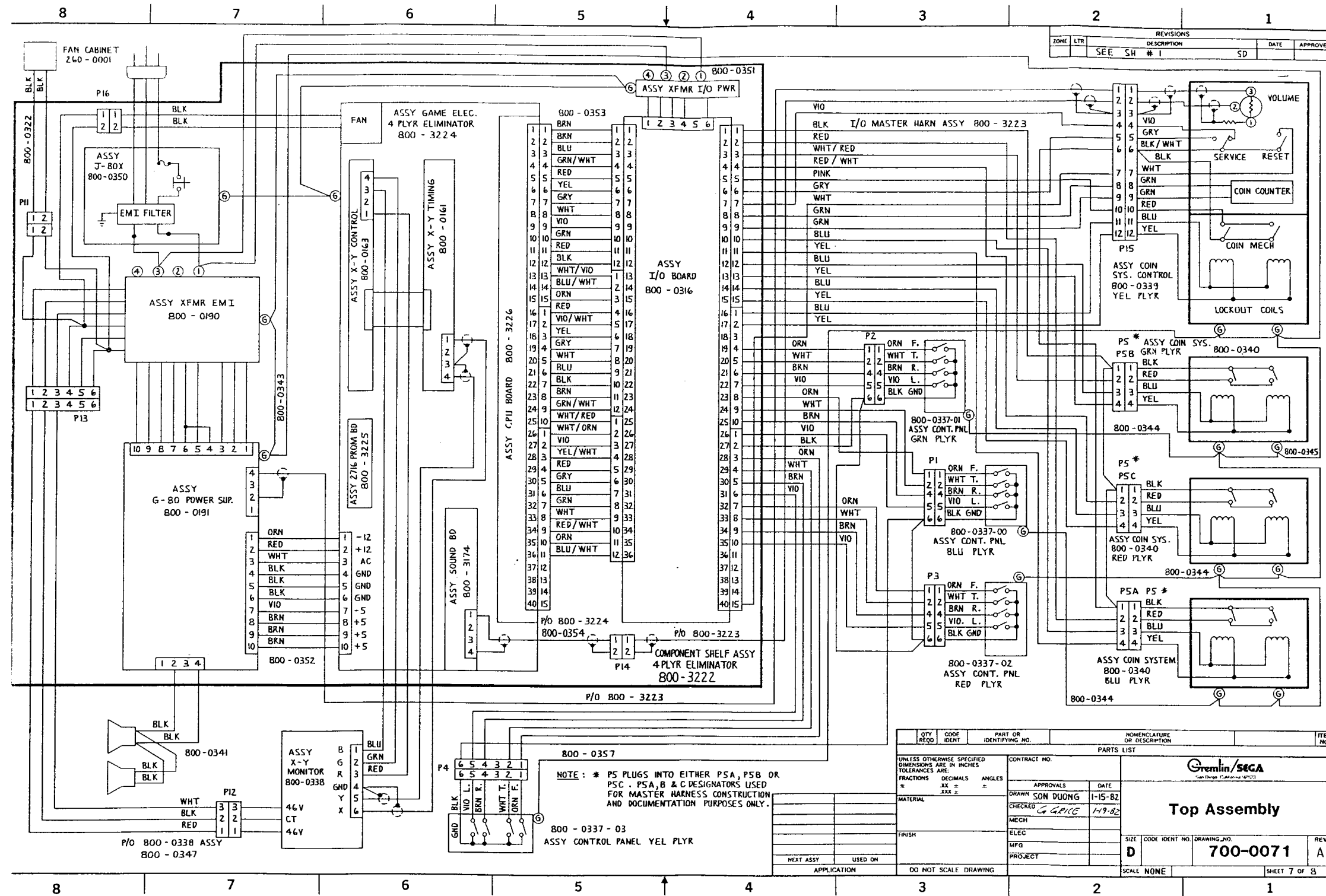


REVISIONS				
ZONE	LTR	DESCRIPTION	DATE	APPROVED
	-	SEE SHT 1		

QTY REQD	PART OR IDENTIFYING NO.	NOMENCLATURE OR DESCRIPTION	ITEM NO.
----------	-------------------------	-----------------------------	----------

PARTS LIST

UNLESS OTHERWISE SPECIFIED DIMENSIONS ARE IN INCHES TOLERANCES ARE:		CONTRACT NO.		Gremlin/SGA San Diego, California 92123	
FRACTIONS	DECIMALS	ANGLES	APPROVALS		
± .XX ±	± .XXX ±	±	DRAWN <i>Wynema</i>	4-26-82	Rotary Interface
MATERIAL			CHECKED		
FINISH			MECH		
			ELEC		
NEXT ASSY	USED ON		MFG		SIZE B
APPLICATION		DO NOT SCALE DRAWING	PROJECT		CODE IDENT NO.
					DRAWING NO. 800-0382
					REV A
					SCALE NONE
					SHEET 4 OF 4



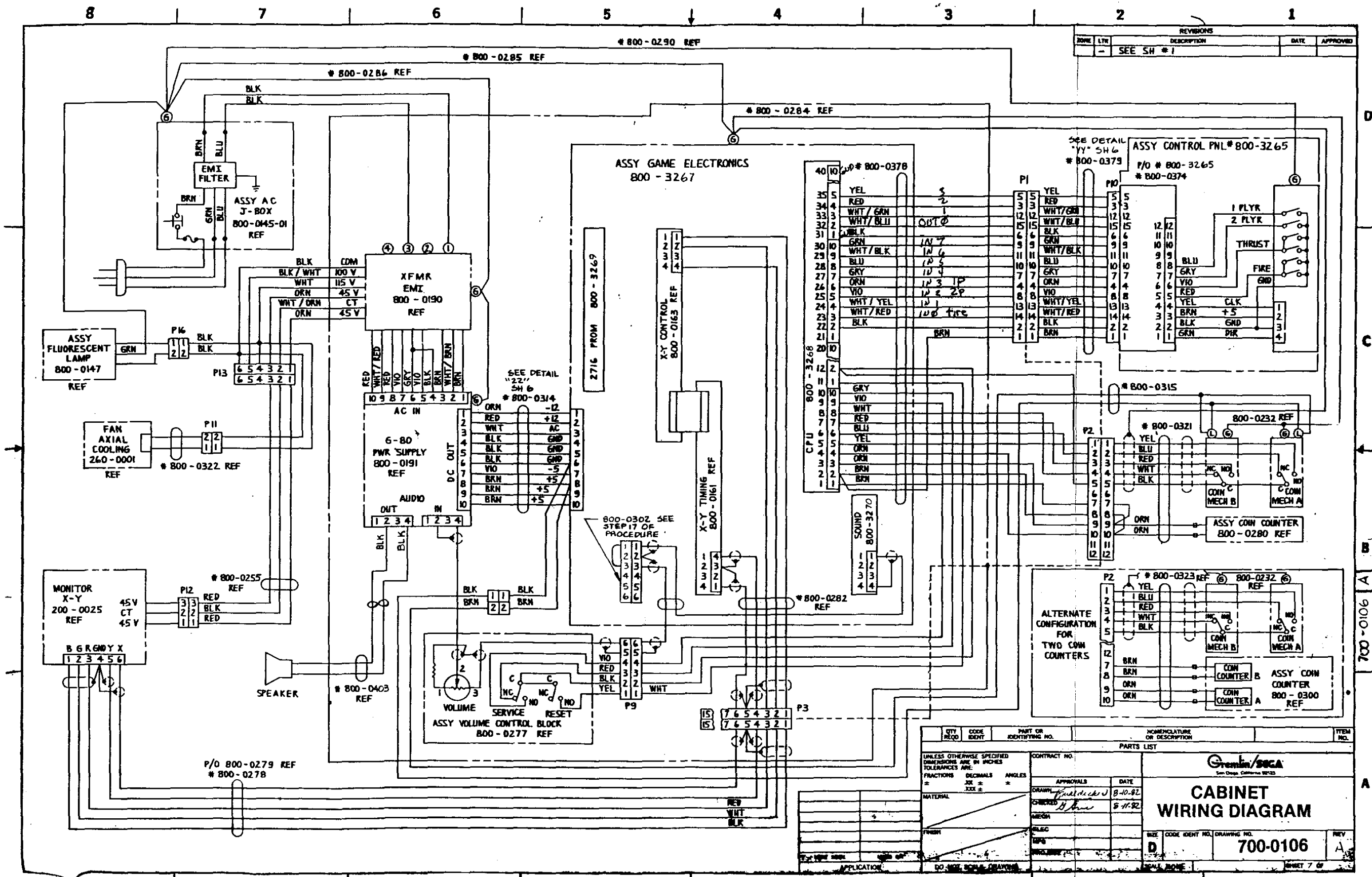
REVISIONS				
ZONE	LTR	DESCRIPTION	DATE	APPROVED
SEE	SH	# 1	SD	

QTY	CODE	PART OR IDENTIFYING NO.	NOMENCLATURE OR DESCRIPTION	ITEM NO.

UNLESS OTHERWISE SPECIFIED DIMENSIONS ARE IN INCHES TOLERANCES ARE:		CONTRACT NO.	
FRACTIONS	DECIMALS	ANGLES	
XX ±	XXX ±	°	

APPROVALS		DATE
DRAWN	SON DUONG	1-15-82
CHECKED	G. GRICE	1-19-82
MECH		
ELEC		
MFG		
PROJECT		

Top Assembly Gremlin/SEGA <small>San Diego, California 92121</small>	
SIZE	CODE IDENT NO. DRAWING NO.
D	700-0071
SCALE	NONE
SHEET 7 OF 8	

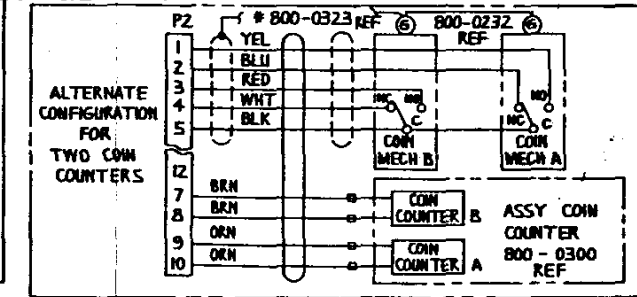
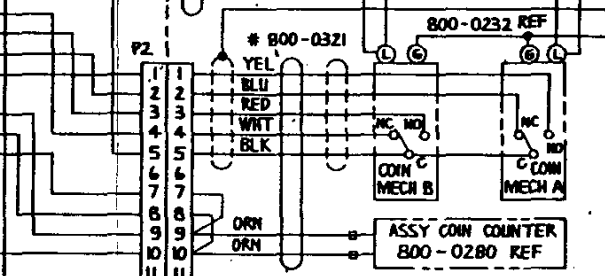


REVISIONS				
ZONE	LTR	DESCRIPTION	DATE	APPROVED
-	-	SEE SH #1		

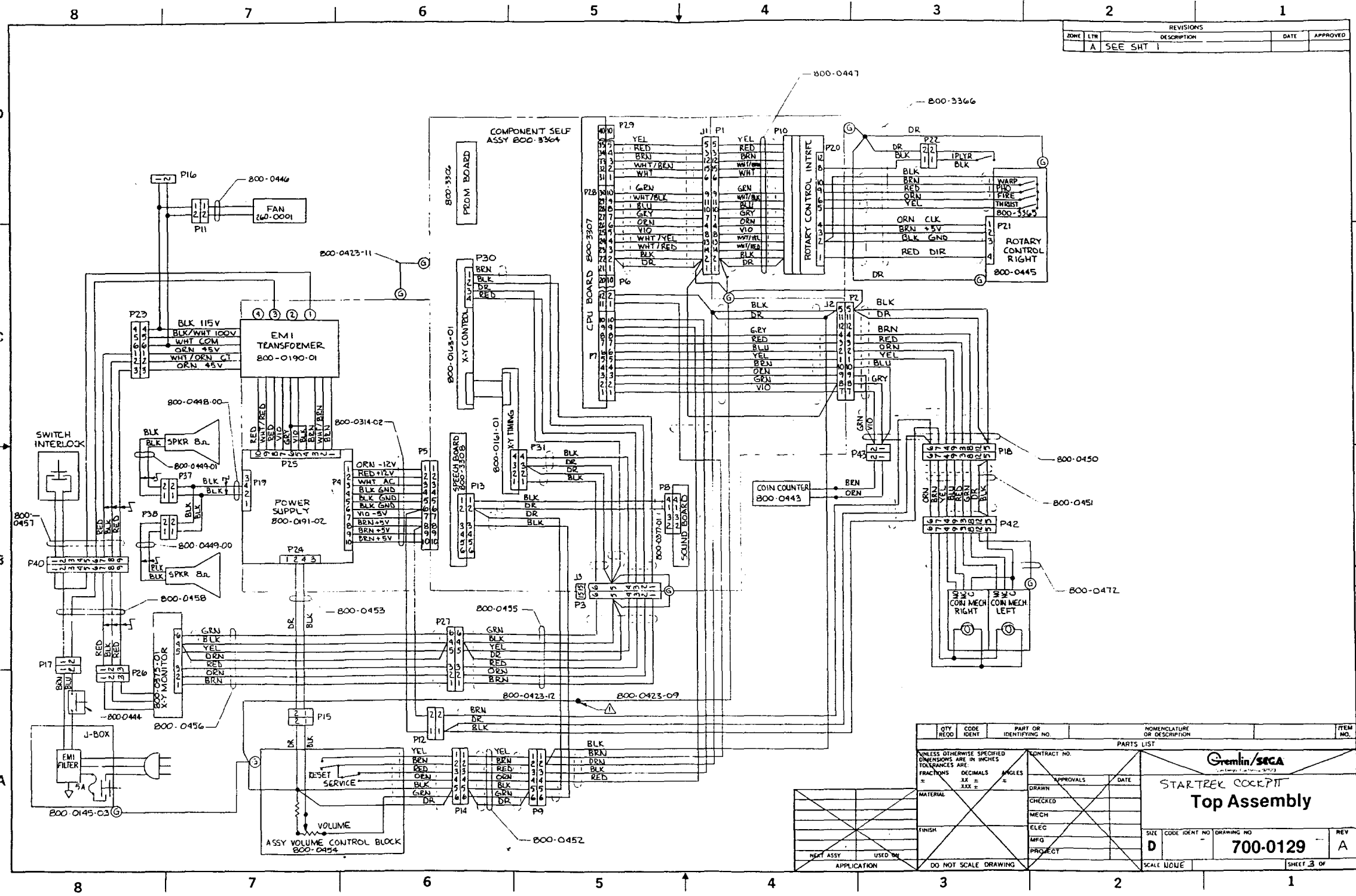
SEE DETAIL
"YY" SH 6
800-0379

ASSY CONTROL PNL # 800-3265
P/O # 800-3265
800-0374

CPU # 800-3268	
40	10
35	5
34	4
33	3
32	2
31	1
30	10
29	9
28	8
27	7
26	6
25	5
24	4
23	3
22	2
21	1
20	10
19	9
18	8
17	7
16	6
15	5
14	4
13	3
12	2
11	1
10	10
9	9
8	8
7	7
6	6
5	5
4	4
3	3
2	2
1	1



QTY REQD	CODE IDENT	PART OR IDENTIFYING NO.	NOMENCLATURE OR DESCRIPTION	ITEM NO.
PARTS LIST				
UNLESS OTHERWISE SPECIFIED DIMENSIONS ARE IN INCHES TOLERANCES ARE: FRACTIONS DECIMALS ANGLES				
DRAWN: <i>[Signature]</i> DATE: 8-10-82				
CHECKED: <i>[Signature]</i> DATE: 8-11-82				
MATERIAL:				
FINISH:				
APPLICATION:				
CONTRACT NO.			APPROVALS	
DATE: 8-10-82			DATE: 8-11-82	
<h3>CABINET WIRING DIAGRAM</h3>				
SIZE: CODE IDENT NO. DRAWING NO.				REV
D 700-0106				A
SCALE: NONE				SHEET 7 OF



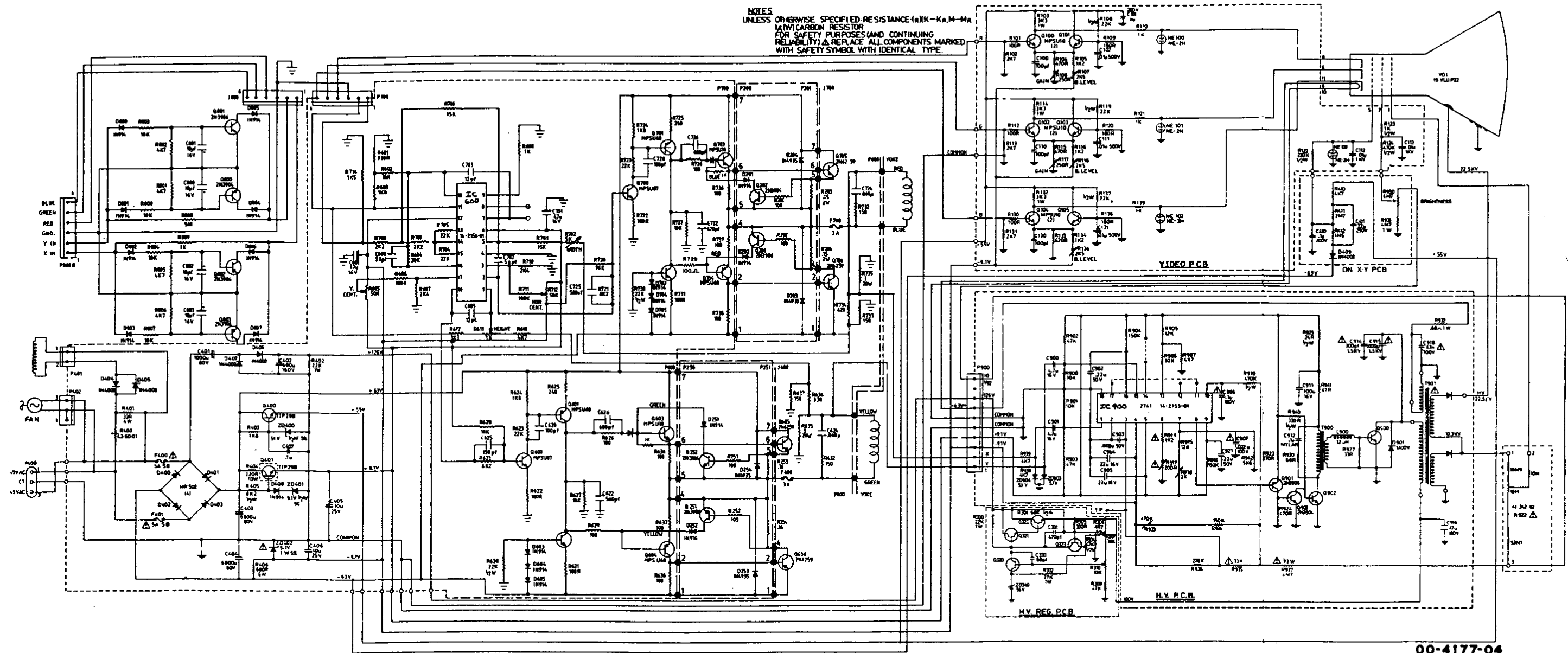
REVISEMENTS		DATE	APPROVED
EDME	LTR		
A	SEE SH 1		

QTY	CODE	PART OR IDENTIFYING NO.	NOMENCLATURE OR DESCRIPTION	ITEM NO.

Gremlin/SECA
 STARTREK COCKPIT
Top Assembly
 CONTRACT NO. _____
 APPROVALS _____ DATE _____
 DRAWN _____
 CHECKED _____
 MECH _____
 ELEC _____
 MFG _____
 PROJECT _____
 SIZE CODE IDENT NO DRAWING NO REV
D _____ **700-0129** **A**
 SCALE 1:1 SHEET 3 OF 3

FINISH	APPROVALS	DATE

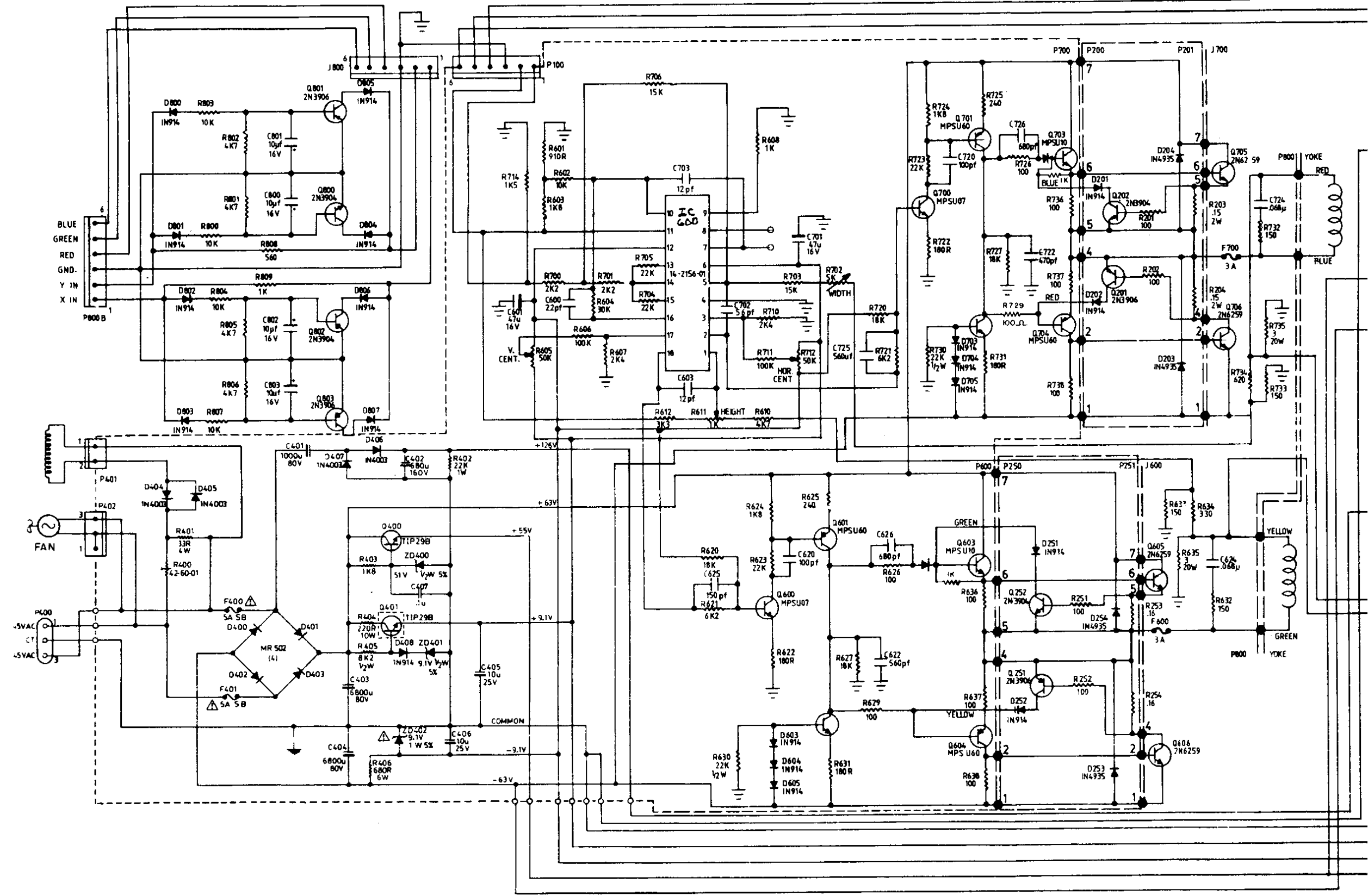
DO NOT SCALE DRAWING



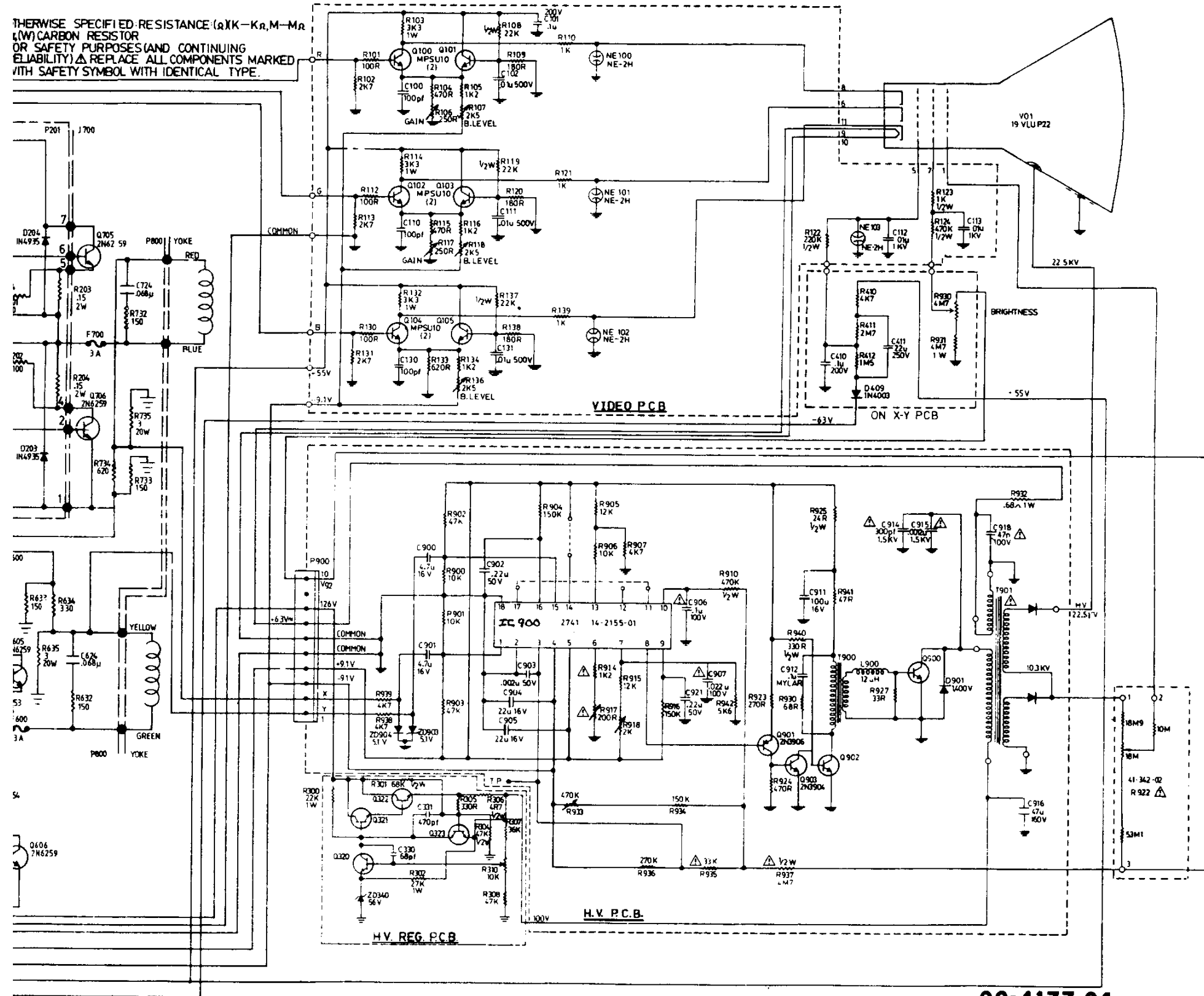
00-4177-04

Model Number GO8-003

NOTES
 UNLESS OTHERWISE SPECIFIED: RESISTANCE (K, M, Ω)
 1/4 (W) CARBON RESISTOR
 FOR SAFETY PURPOSES (AND CONTINUING
 RELIABILITY) Δ REPLACE ALL COMPONENTS
 WITH SAFETY SYMBOL WITH IDENTICAL TM



OTHERWISE SPECIFIED RESISTANCE (K, M, M_R)
 (W) CARBON RESISTOR
 OR SAFETY PURPOSES (AND CONTINUING
 ELIABILITY) Δ REPLACE ALL COMPONENTS MARKED
 WITH SAFETY SYMBOL WITH IDENTICAL TYPE.



00-4177-04