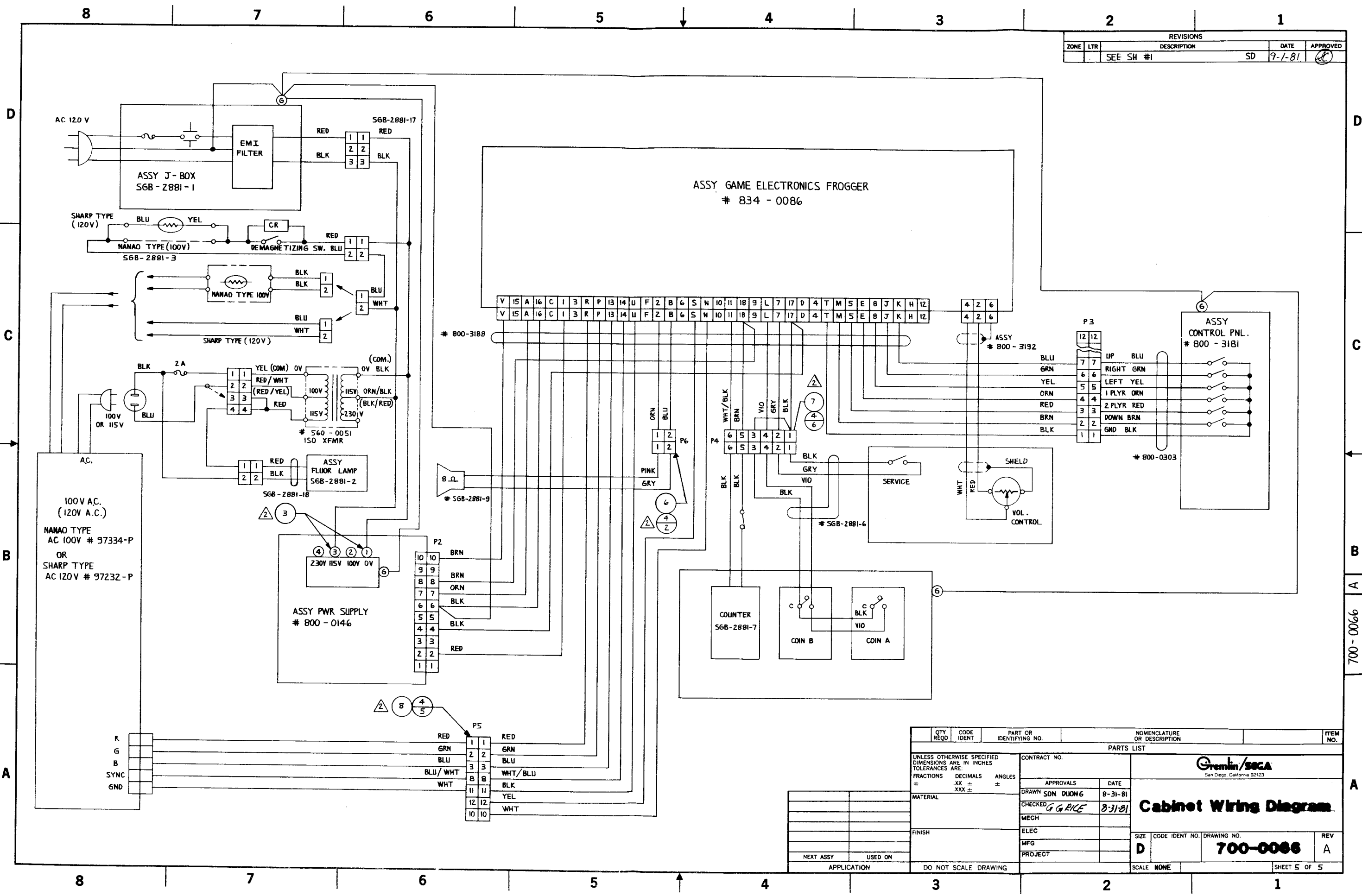


REVISIONS				
ZONE	LTR	DESCRIPTION	DATE	APPROVED
		SEE SH #1	SD 9-1-81	(Signature)



QTY REQD	CODE IDENT	PART OR IDENTIFYING NO.	NOMENCLATURE OR DESCRIPTION	ITEM NO.
PARTS LIST				
UNLESS OTHERWISE SPECIFIED DIMENSIONS ARE IN INCHES TOLERANCES ARE:		CONTRACT NO.		
FRACTIONS ±	DECIMALS .XX ±	ANGLES ° ±	APPROVALS	DATE
			DRAWN SON DUONG	8-31-81
MATERIAL		CHECKED G. G. RICE 8-31-81		
FINISH		MECH		
NEXT ASSY		ELEC		
USED ON		MFG		
APPLICATION		PROJECT		
DO NOT SCALE DRAWING		SCALE NONE		

**Gremlin/SACA**  
San Diego, California 92123

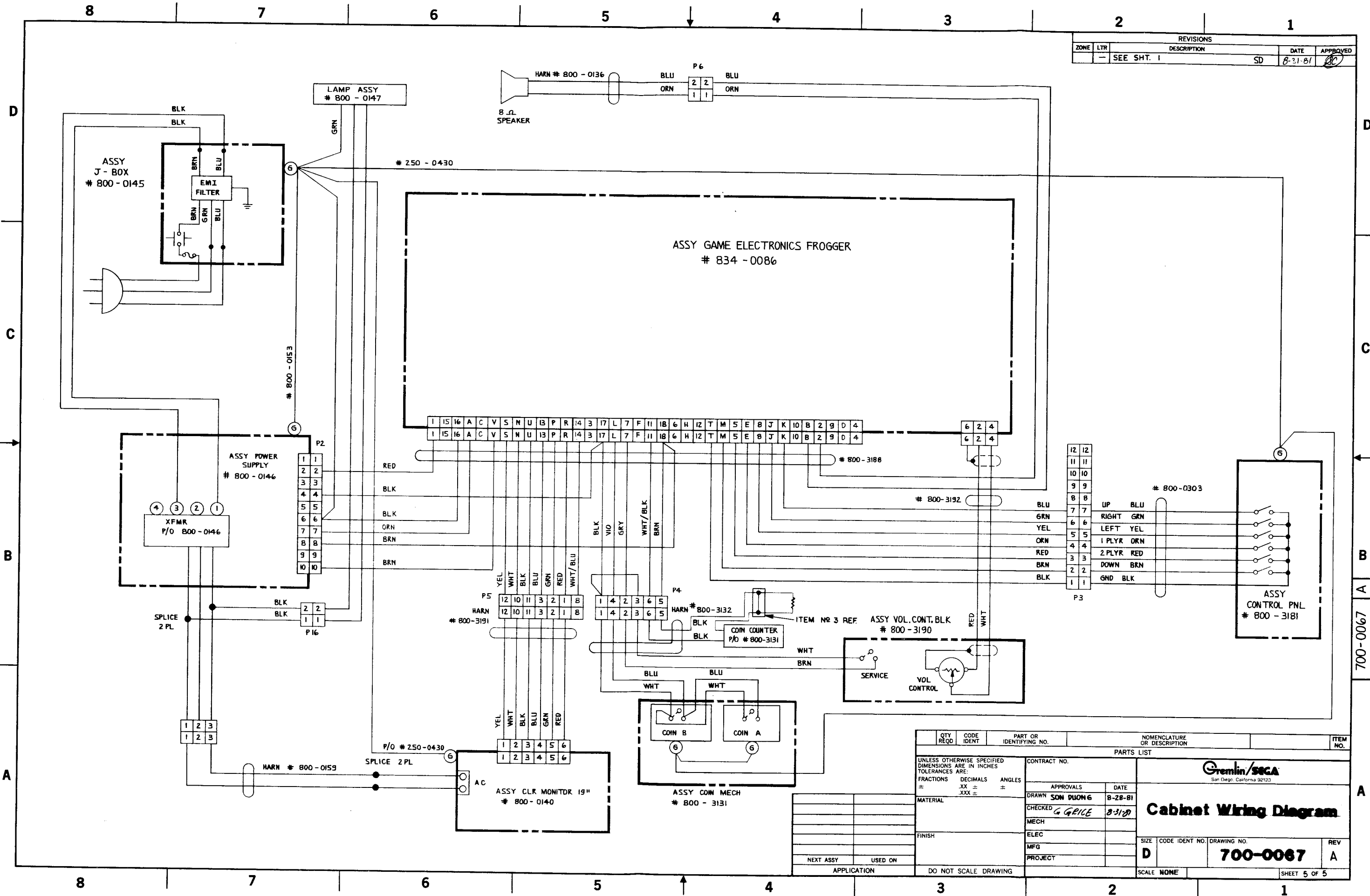
## Cabinet Wiring Diagram

SIZE CODE IDENT NO. DRAWING NO. REV  
**D 700-0066 A**

SHEET 5 OF 5

700-0066

REVISIONS				
ZONE	LTR	DESCRIPTION	DATE	APPROVED
		SEE SHT. 1	SD 8-31-81	<i>[Signature]</i>

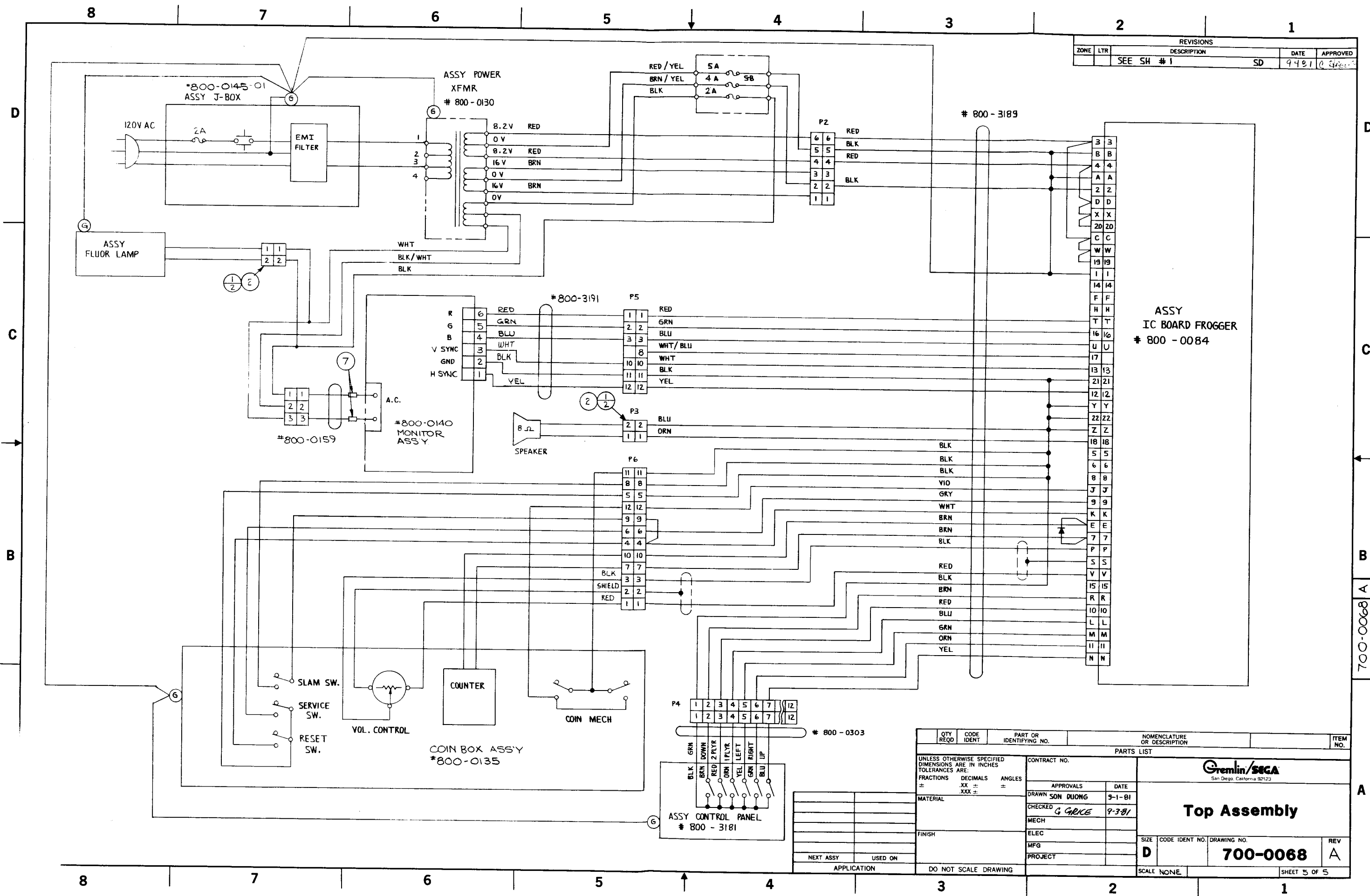


QTY REQD	CODE IDENT	PART OR IDENTIFYING NO.	NOMENCLATURE OR DESCRIPTION	ITEM NO.
PARTS LIST				
UNLESS OTHERWISE SPECIFIED DIMENSIONS ARE IN INCHES TOLERANCES ARE:				
FRACTIONS	DECIMALS	ANGLES		
±	.XX ±	±		
MATERIAL				
FINISH				
NEXT ASSY USED ON APPLICATION				
CONTRACT NO.		APPROVALS DATE		
DRAWN SON DUONG		8-28-81		
CHECKED G. GEICE		8-31-81		
MECH		ELEC		
MFG		PROJECT		
SCALE NONE		SHEET 5 OF 5		

**Gremlin/SEGA**  
San Diego, California 92123

## Cabinet Wiring Diagram

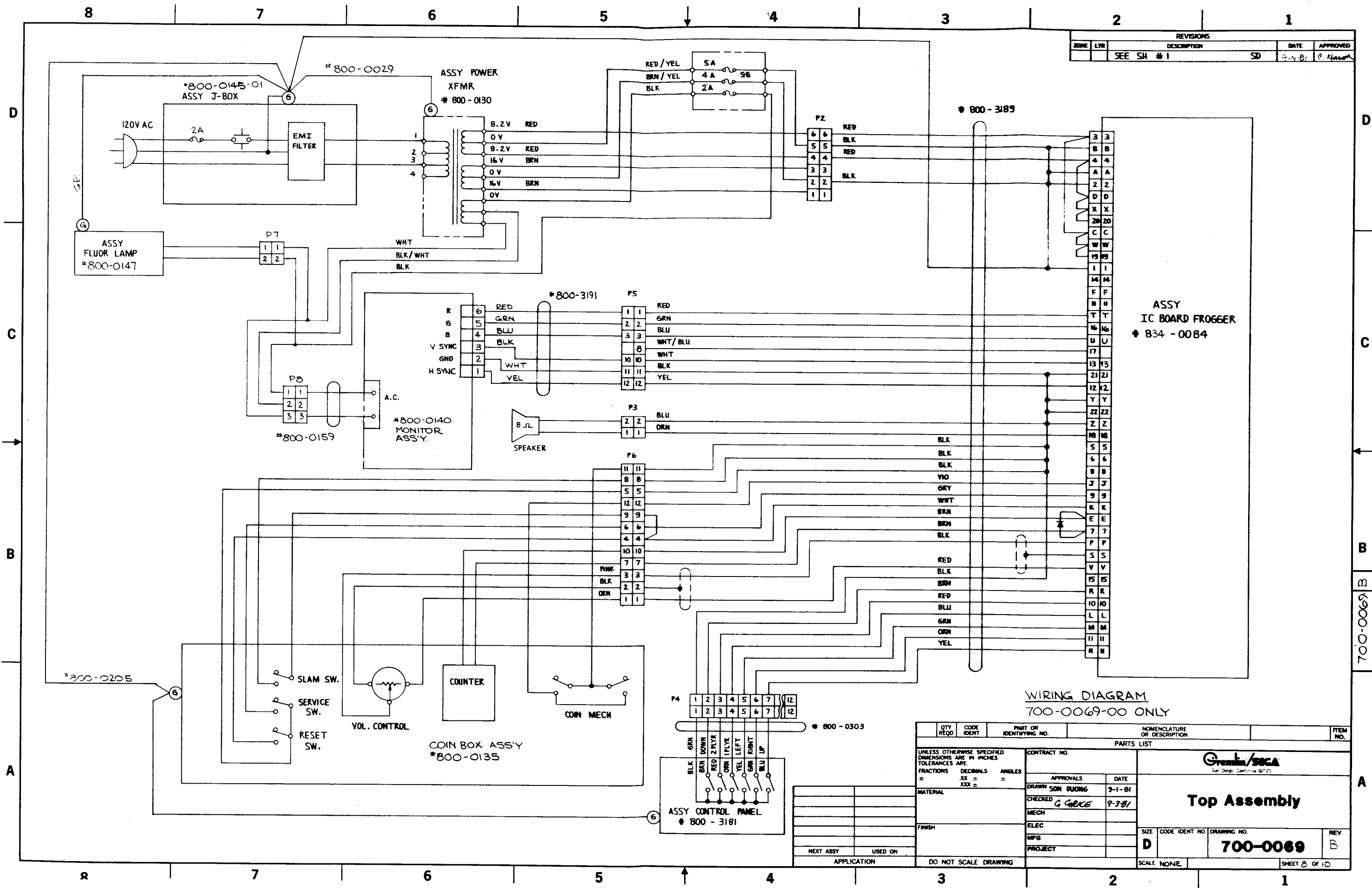
SIZE **D** CODE IDENT NO. **700-0067** REV **A**



REVISIONS				
ZONE	LTR	DESCRIPTION	DATE	APPROVED
		SEE SH #1	SD	9401

QTY REQD	CODE IDENT	PART OR IDENTIFYING NO.	NOMENCLATURE OR DESCRIPTION	ITEM NO.
PARTS LIST				
UNLESS OTHERWISE SPECIFIED DIMENSIONS ARE IN INCHES TOLERANCES ARE:		CONTRACT NO.		
FRACTIONS	DECIMALS	ANGLES	APPROVALS	
±	XX ±	±	DATE	
	XXX ±		DRAWN SON DUONG 9-1-81	
MATERIAL		CHECKED G GRICE 9-3-81		
FINISH		MECH		
NEXT ASSY		ELEC		
USED ON		MFG		
APPLICATION		PROJECT		
DO NOT SCALE DRAWING		SIZE CODE IDENT NO. DRAWING NO.		
		D 700-0068		
		SCALE NONE SHEET 5 OF 5		

700-0068



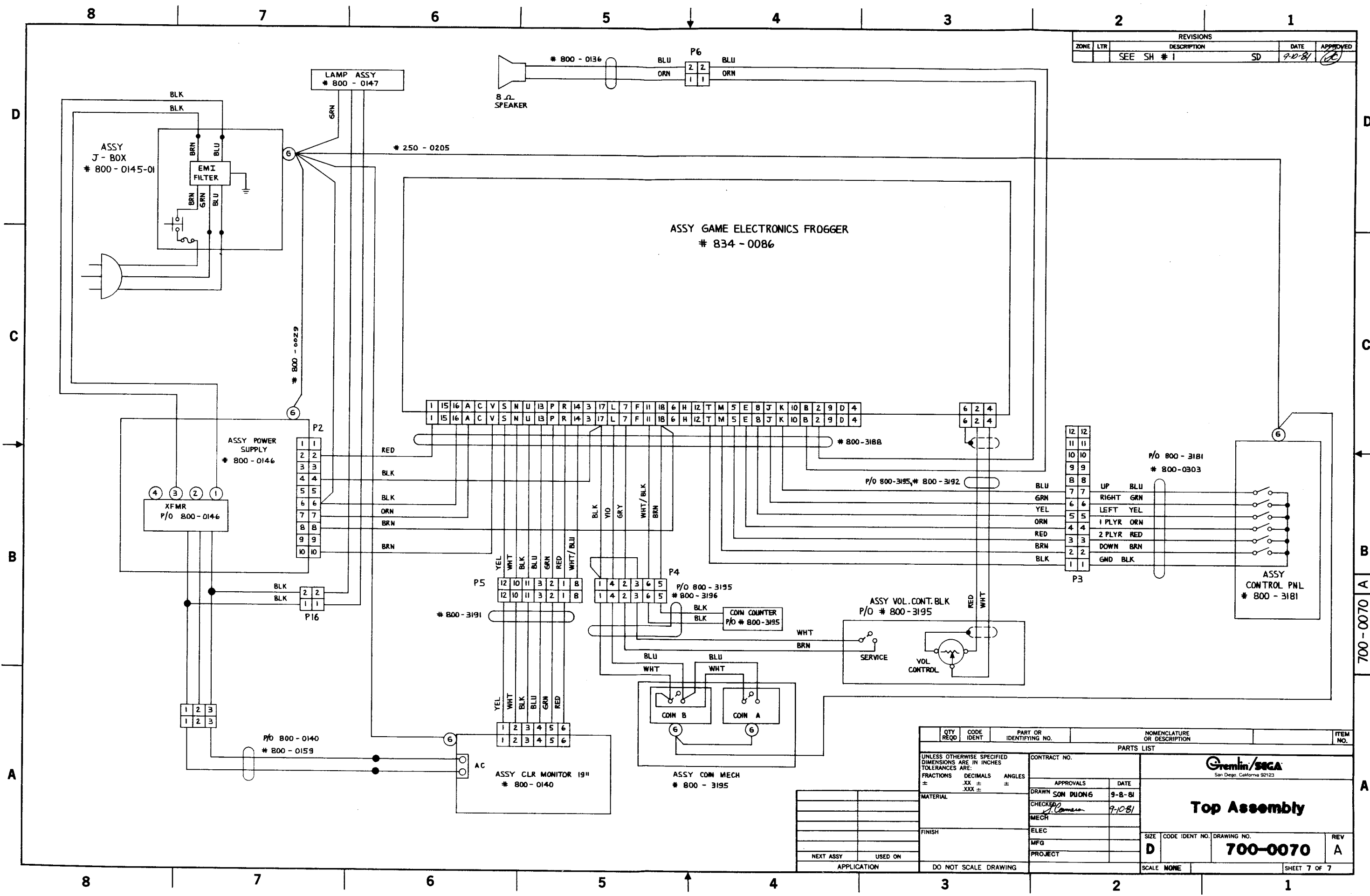
REVISIONS				
REV	DATE	DESCRIPTION	APPROVED	BY
1	9-1-81	SEE SH #1	SD	C. HANCOCK

WIRING DIAGRAM  
700-0069-00 ONLY

QTY REQD	CODE IDENT	PART OR IDENTIFYING NO.	NOMENCLATURE OR DESCRIPTION	ITEM NO.
PARTS LIST				
UNLESS OTHERWISE SPECIFIED DIMENSIONS ARE IN INCHES TOLERANCES ARE:		CONTRACT NO.		
FRACTIONS	DECIMALS	ANGLES	APPROVALS	DATE
±	±	±	DRAWN SON DUONG	9-1-81
MATERIAL		CHECKED G. GARCE 9-3-81		
FINISH		MECH		
NEXT ASSY		ELEC		
USED ON		MFG		
APPLICATION		PROJECT		
DO NOT SCALE DRAWING		SIZE CODE IDENT NO. DRAWING NO.		
		D 700-0069		
		SCALE NONE SHEET 2 OF 10		

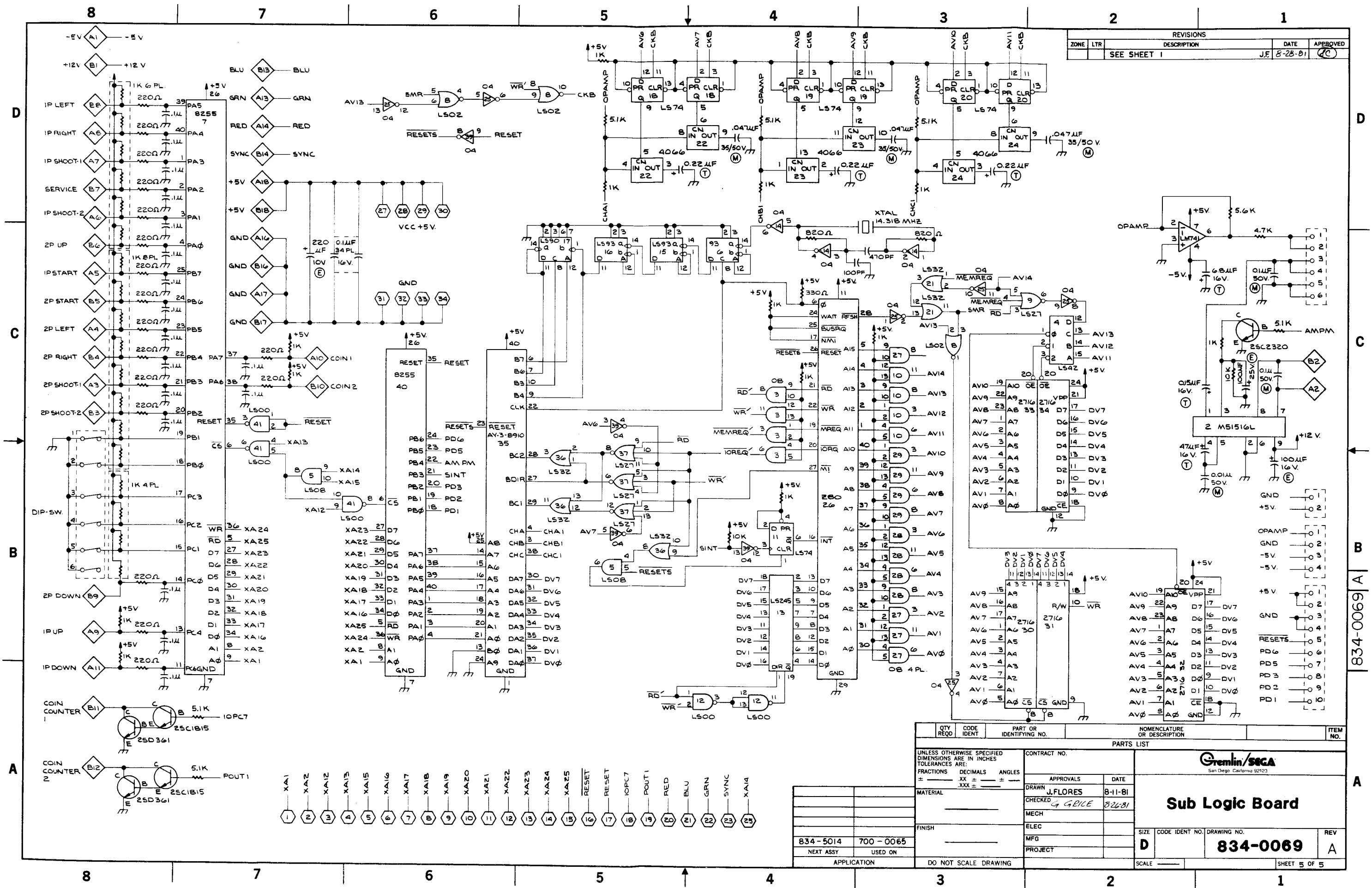
700-0069 B

REVISIONS				
ZONE	LTR	DESCRIPTION	DATE	APPROVED
		SEE SH # 1	SD 9-10-81	(Signature)



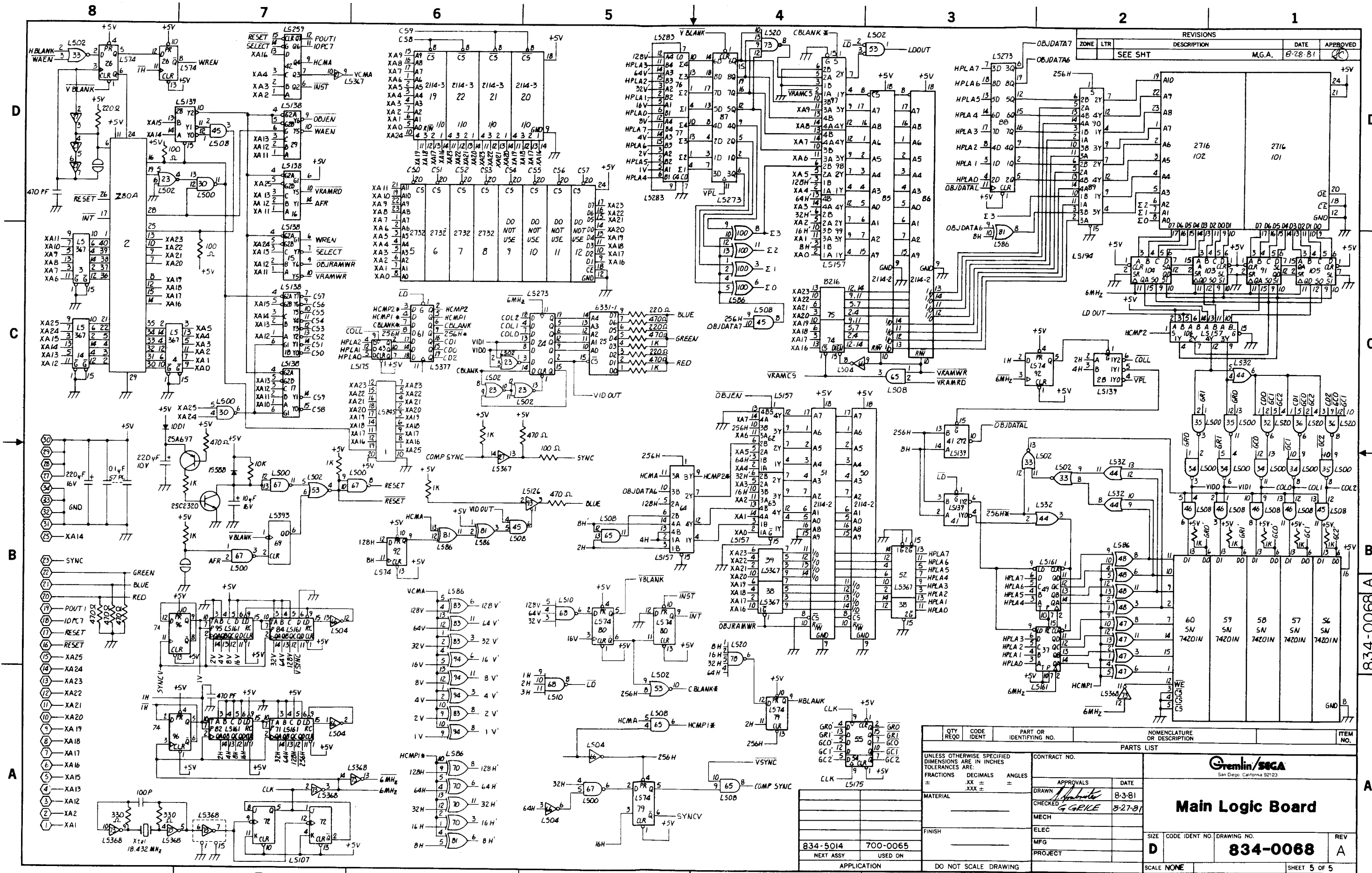
QTY REQD	CODE IDENT	PART OR IDENTIFYING NO.	NOMENCLATURE OR DESCRIPTION	ITEM NO.
UNLESS OTHERWISE SPECIFIED DIMENSIONS ARE IN INCHES TOLERANCES ARE: FRACTIONS DECIMALS ANGLES ± .XX ± ±				
MATERIAL		CONTRACT NO.		
FINISH		APPROVALS DATE		
NEXT ASSY USED ON APPLICATION		DRAWN SON DUONG 9-8-81		
		CHECKED (Signature) 9-10-81		
		MECH		
		ELEC		
		MFG		
		PROJECT		
		SIZE CODE IDENT NO. DRAWING NO. REV		
		D 700-0070 A		
		SCALE NONE SHEET 7 OF 7		

REVISIONS				
ZONE	LTR	DESCRIPTION	DATE	APPROVED
		SEE SHEET 1	J.F. 8-28-81	(C)



QTY REQD	CODE IDENT	PART OR IDENTIFYING NO.	NOMENCLATURE OR DESCRIPTION	ITEM NO.
PARTS LIST				
UNLESS OTHERWISE SPECIFIED DIMENSIONS ARE IN INCHES TOLERANCES ARE:		CONTRACT NO.		
FRACTIONS DECIMALS ANGLES		APPROVALS DATE		
± .005 ± .001 ± .005		DRAWN J.FLORES 8-11-81		
MATERIAL		CHECKED G. GRIFFIN 8/26/81		
FINISH		MECH		
834-5014 700-0065		ELEC		
NEXT ASSY USED ON		MFG		
APPLICATION		PROJECT		
DO NOT SCALE DRAWING		SIZE CODE IDENT NO. DRAWING NO.		
		D 834-0069 A		
		SCALE SHEET 5 OF 5		

834-0069 A



REVISIONS				
ZONE	LTR	DESCRIPTION	DATE	APPROVED
SEE SHT				
		M.G.A.	8-28-81	(Signature)

PARTS LIST				
QTY	CODE	PART OR IDENTIFYING NO.	NOMENCLATURE OR DESCRIPTION	ITEM NO.
UNLESS OTHERWISE SPECIFIED				
DIMENSIONS ARE IN INCHES				
TOLERANCES ARE:				
FRACTIONS	DECIMALS	ANGLES		
± .010	± .005	± .001		
MATERIAL				
FINISH				
CONTRACT NO.				
DRAWN		DATE		
CHECKED		8-3-81		
MECH		8-27-81		
ELEC				
MFG				
PROJECT				
834-5014	700-0065			
NEXT ASSY		USED ON		
APPLICATION				
DO NOT SCALE DRAWING				
SCALE NONE				

**Gremlin/SEGA**  
San Diego, California 92123

**Main Logic Board**

SIZE CODE IDENT NO. DRAWING NO. REV  
**D 834-0068 A**

SHEET 5 OF 5

834-0068 A





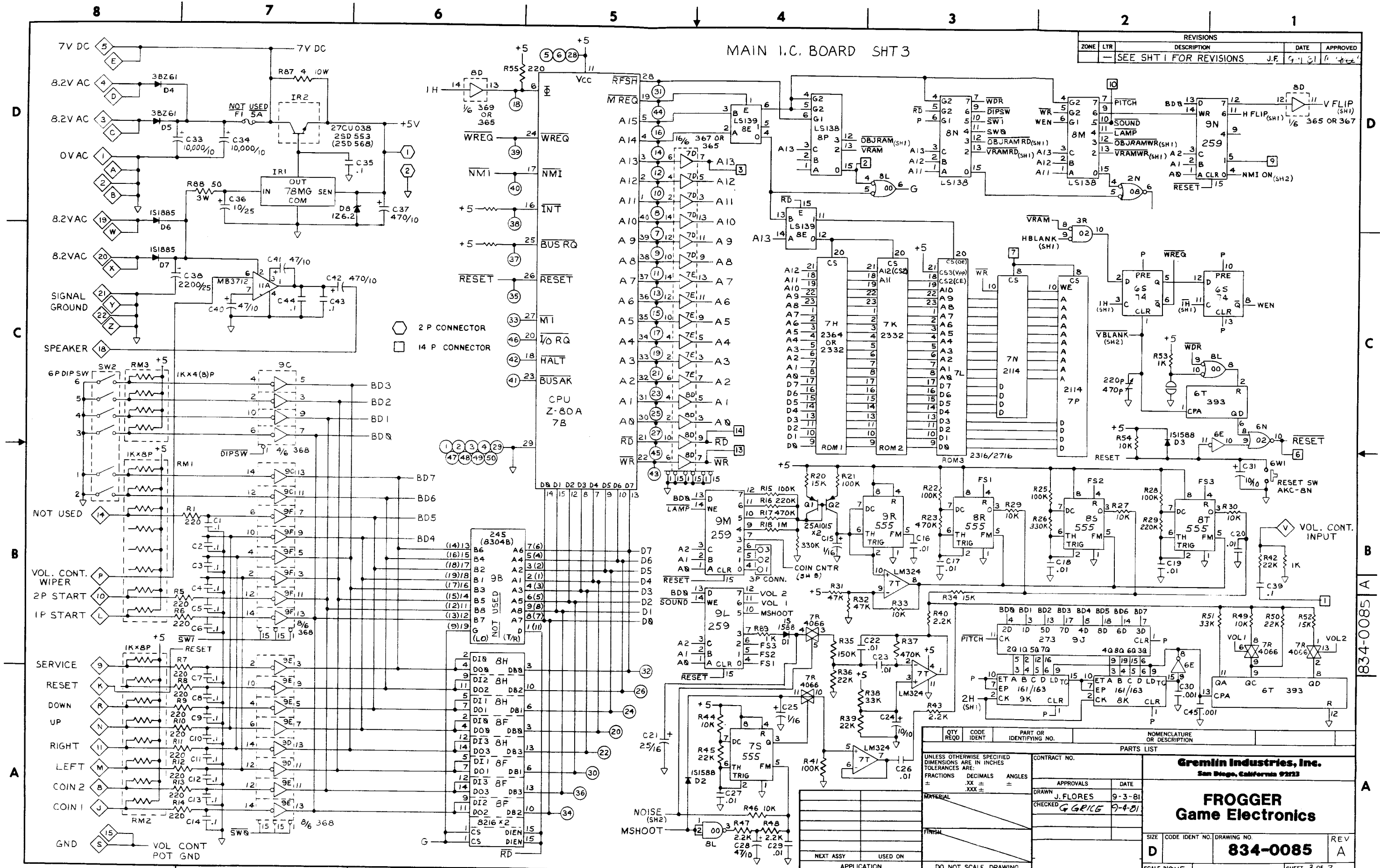






MAIN I.C. BOARD SHT 3

REVISIONS				
ZONE	LTR	DESCRIPTION	DATE	APPROVED
-		SEE SHT 1 FOR REVISIONS	J.F. 9-1-81	[Signature]



○ 2 P CONNECTOR  
□ 14 P CONNECTOR

QTY REQD		CODE IDENT	PART OR IDENTIFYING NO.	NOMENCLATURE OR DESCRIPTION
UNLESS OTHERWISE SPECIFIED DIMENSIONS ARE IN INCHES TOLERANCES ARE: FRACTIONS .XX ± .XXX ±				
MATERIAL		FINISH		
NEXT ASSY		USED ON		
APPLICATION		DO NOT SCALE DRAWING		

APPROVALS		DATE
DRAWN J. FLORES	CHECKED G. GRICE	9-3-81

CONTRACT NO.		PARTS LIST	
<b>Gremlin Industries, Inc.</b> San Diego, California 92123			
<b>FROGGER</b> Game Electronics			
SIZE	CODE IDENT NO.	DRAWING NO.	REV
D		834-0085	A
SCALE NONE		SHEET 3 OF 3	