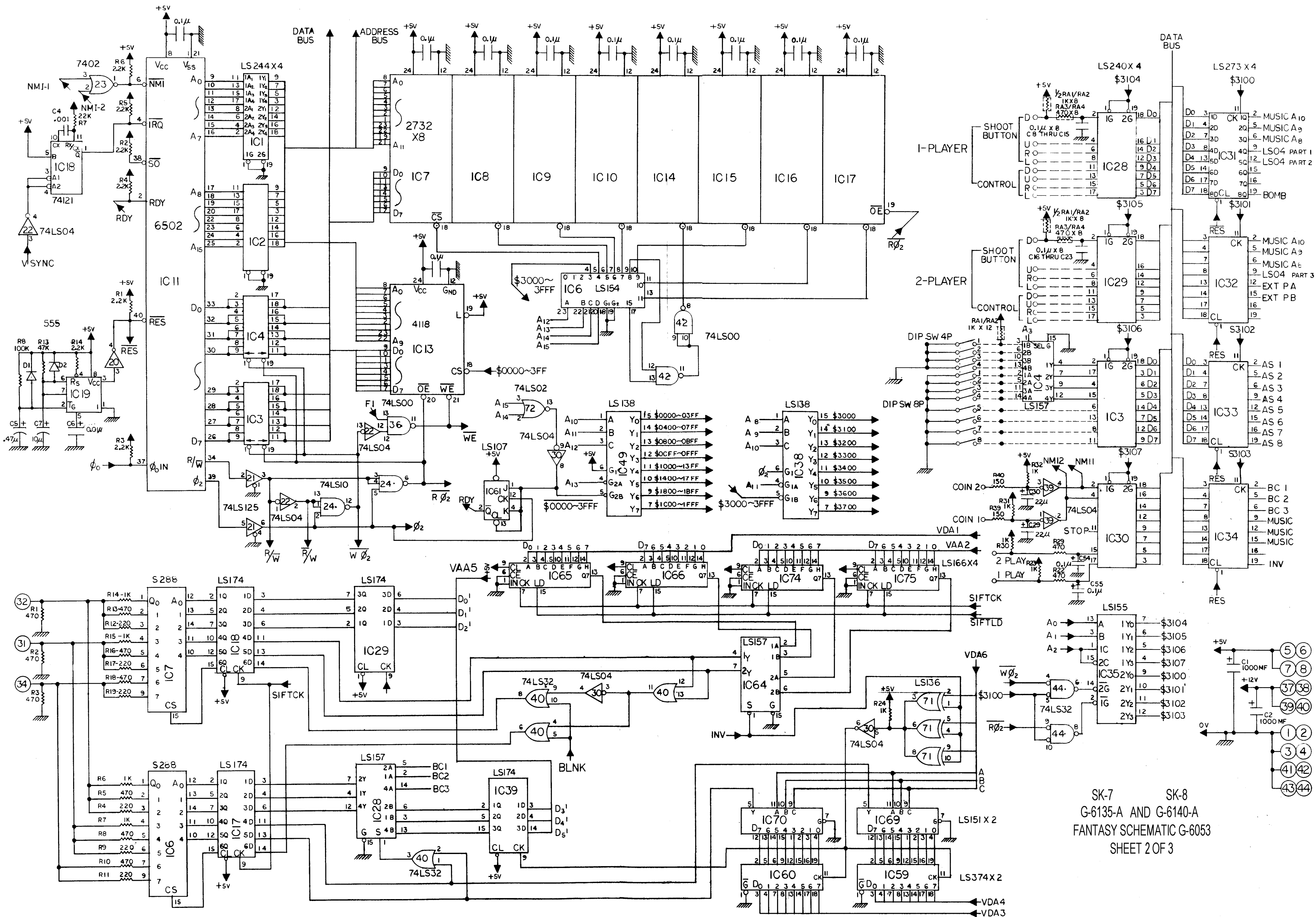


SK-7 SK-8
 G-6135-A AND G-6140-A
 FANTASY SCHEMATIC G-6053
 (SPECIAL SHEET)



SK-7 SK-8
G-6135-A AND G-6140-A
FANTASY SCHEMATIC G-6053
SHEET 2 OF 3

