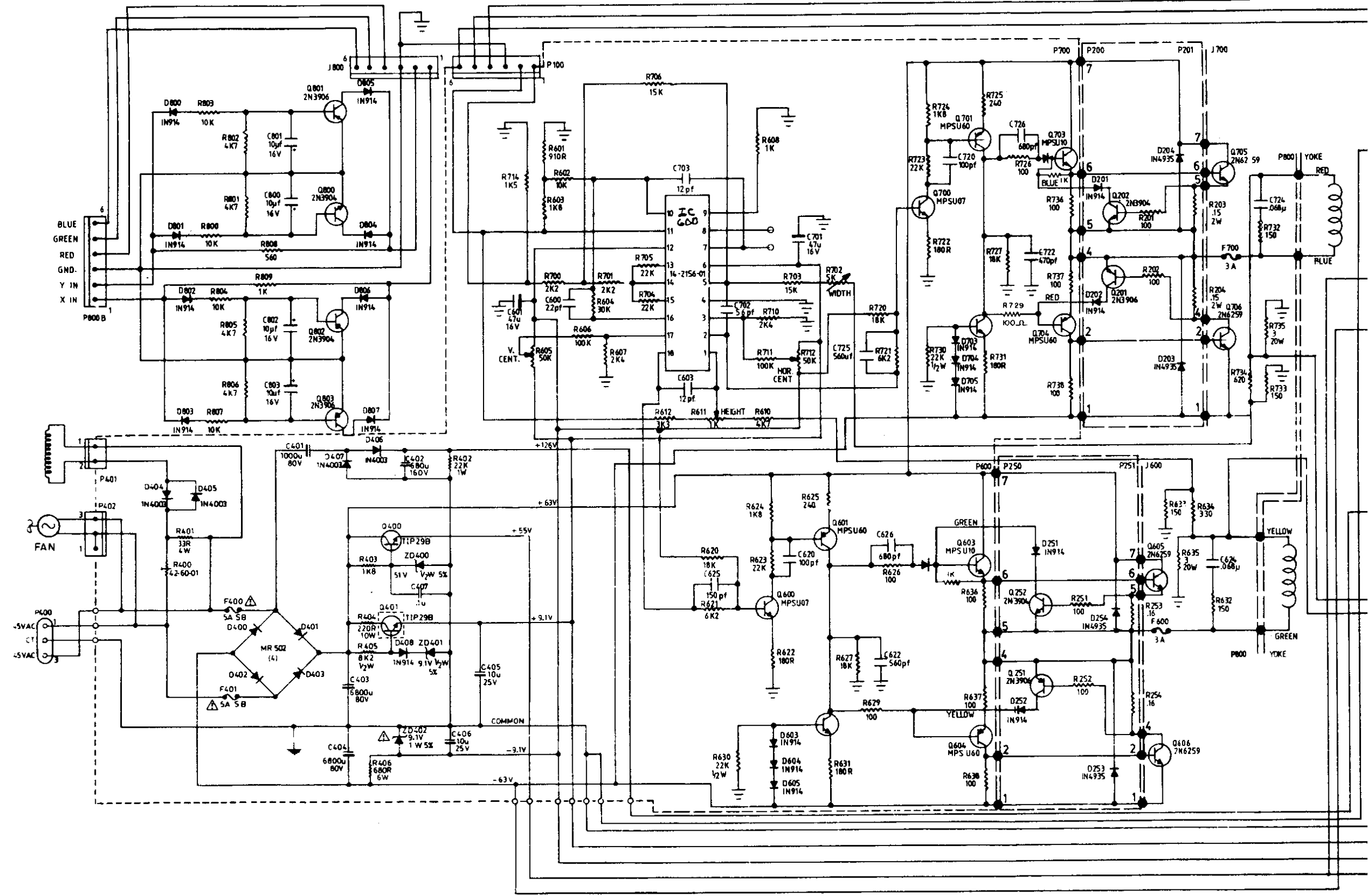


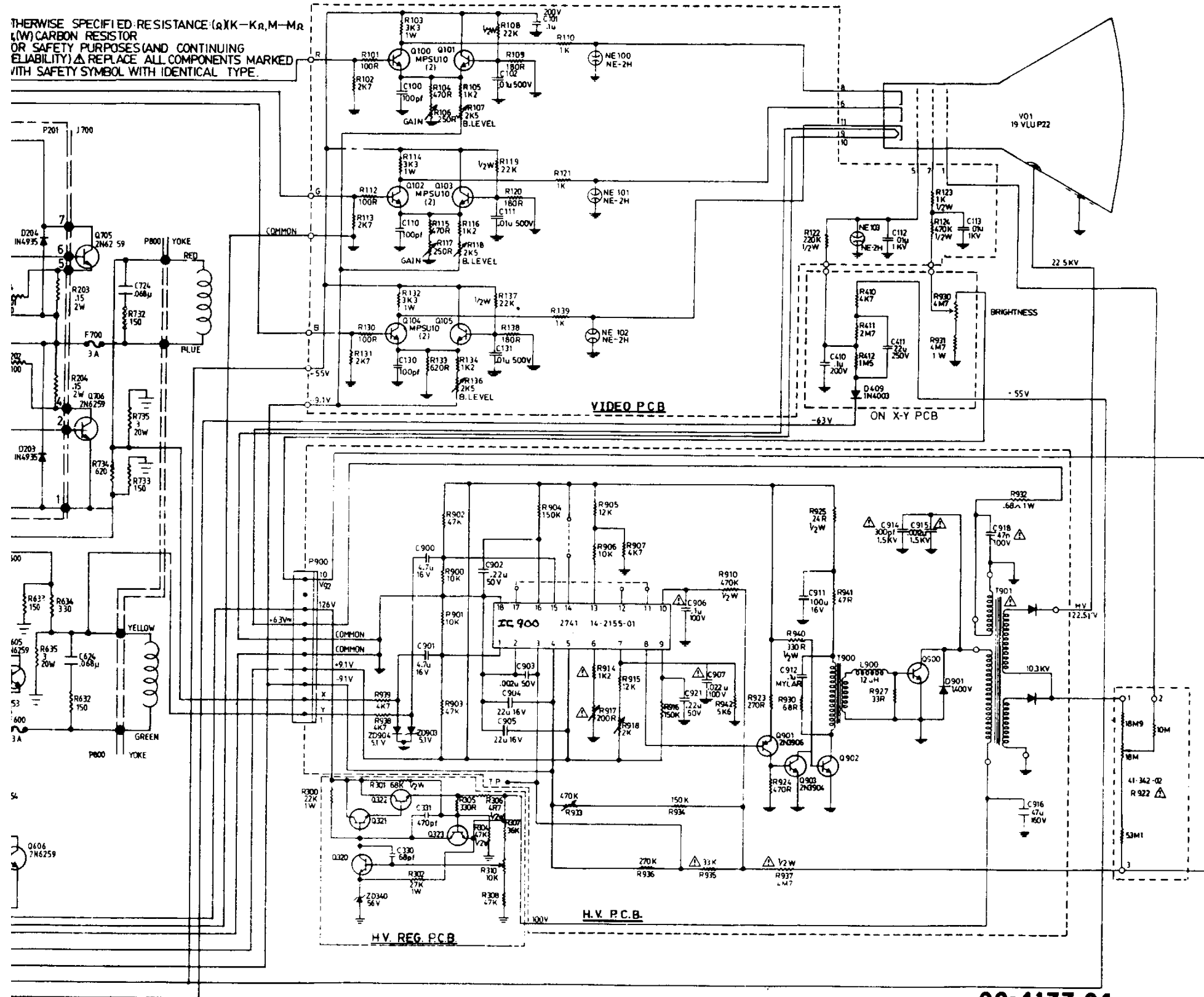
00-4177-04

Model Number GO8-003

NOTES
 UNLESS OTHERWISE SPECIFIED: RESISTANCE (K, M, Ω)
 1/4 (W) CARBON RESISTOR
 FOR SAFETY PURPOSES (AND CONTINUING
 RELIABILITY) Δ REPLACE ALL COMPONENTS
 WITH SAFETY SYMBOL WITH IDENTICAL TM



OTHERWISE SPECIFIED RESISTANCE (K, M, M_R)
 (W) CARBON RESISTOR
 OR SAFETY PURPOSES (AND CONTINUING
 ELIABILITY) Δ REPLACE ALL COMPONENTS MARKED
 WITH SAFETY SYMBOL WITH IDENTICAL TYPE.



00-4177-04