

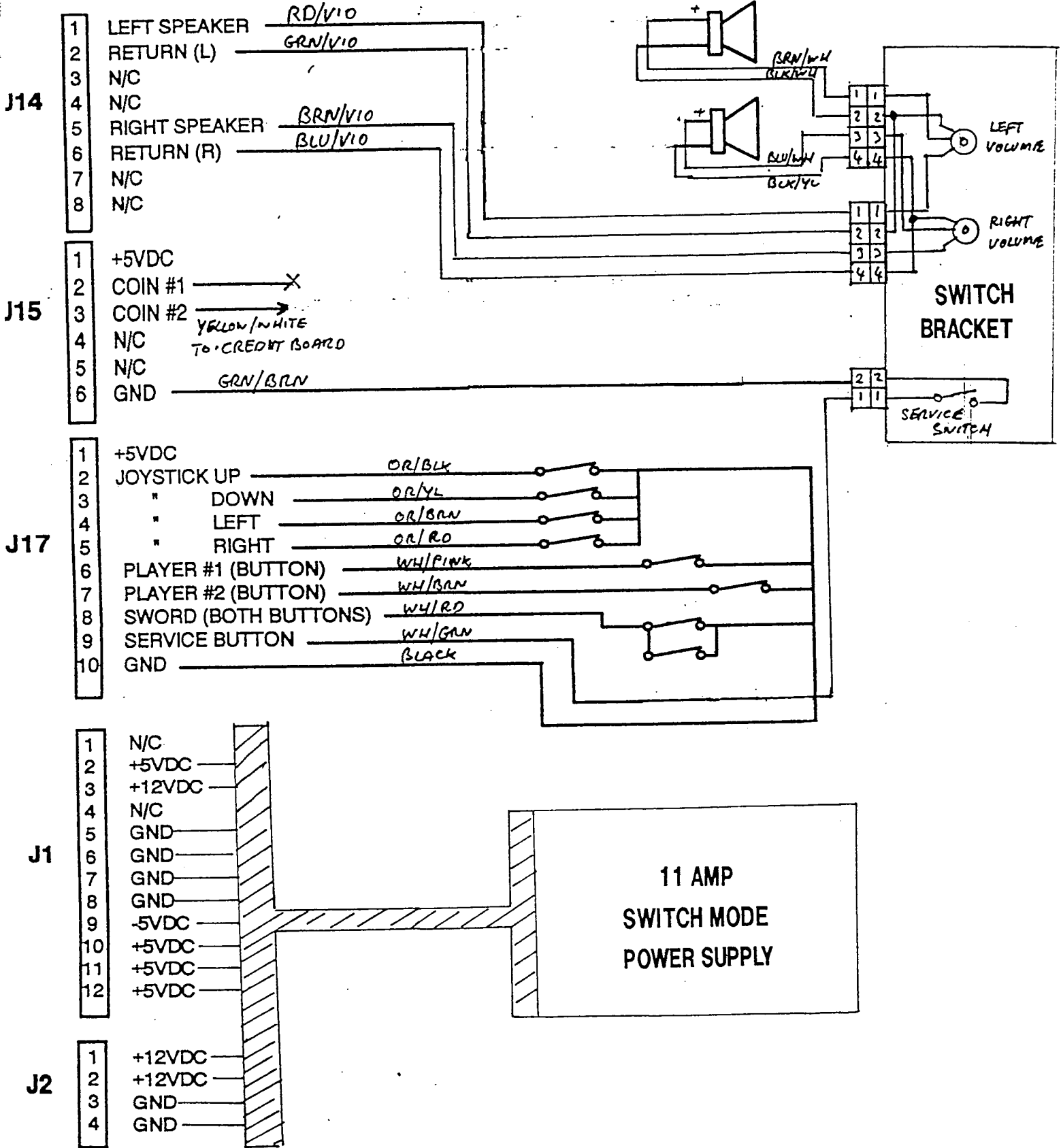
Sullivan Bluth's

DRAGONS LAIR III™

Leland
CORPORATION

OWNER'S MANUAL

CONTROLLER BOARD CONNECTOR WIRING —

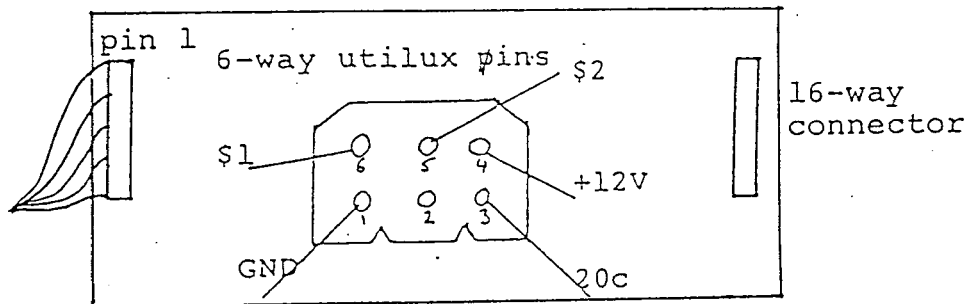
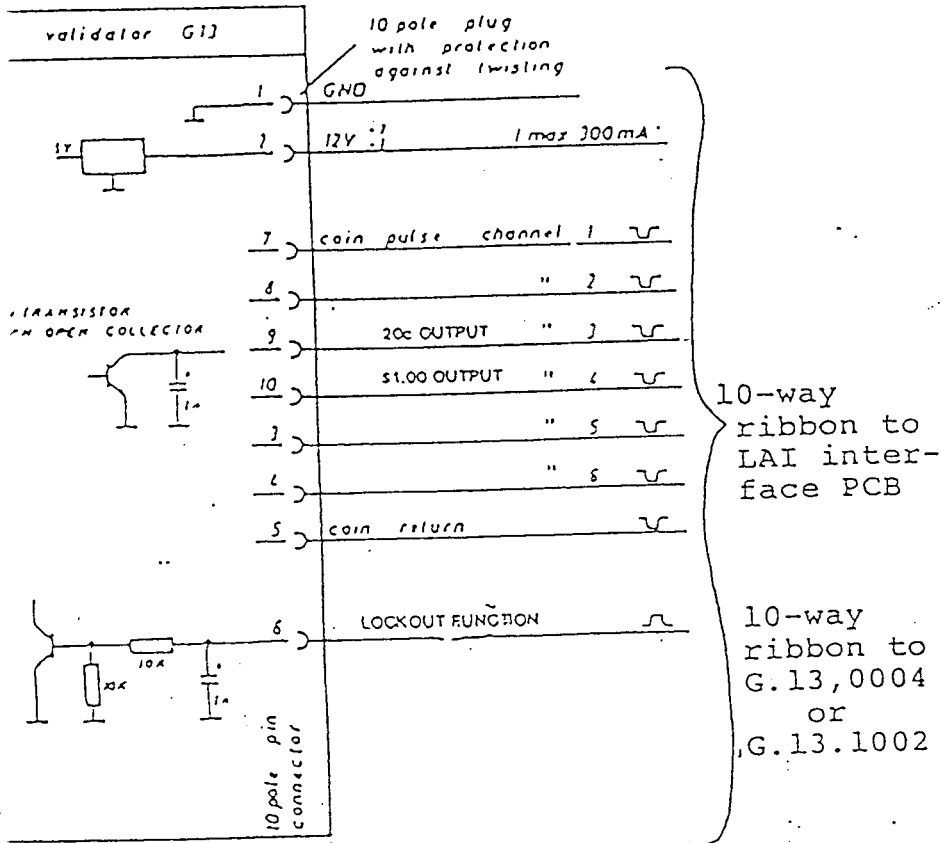


CONTROLLER BOARD CONNECTOR WIRING CONT.—

P3	1	GND
	2	TRANSMIT DATA
	3	RECEIVE DATA
	4	RTS
	5	CTS
	6	DSR
	7	GND
	8	DCD
	11	HSYNC
	18	VSYNC
	20	DTR
22	RI	
J12	1	AUDIO IN "RIGHT"
	2	SHIELD
J13	1	AUDIO IN "LEFT"
	2	SHIELD

MODEL G.13.1002

NRI COIN MECHANISM. STANDARD MODEL g.13.1002
CREDIT PCB NOT INCORPORATED



NB: DIL switch (dual in line) under PCB cover is for single coin inhibit

e.g. Corresponding channel to DIL switch
Channel 1 (coin) - DIL switch 1
Channel 2 (coin) - DIL switch 2

WARNING: These pin details are for use on G.13.1002 model only and not for any other NRI mechanism.

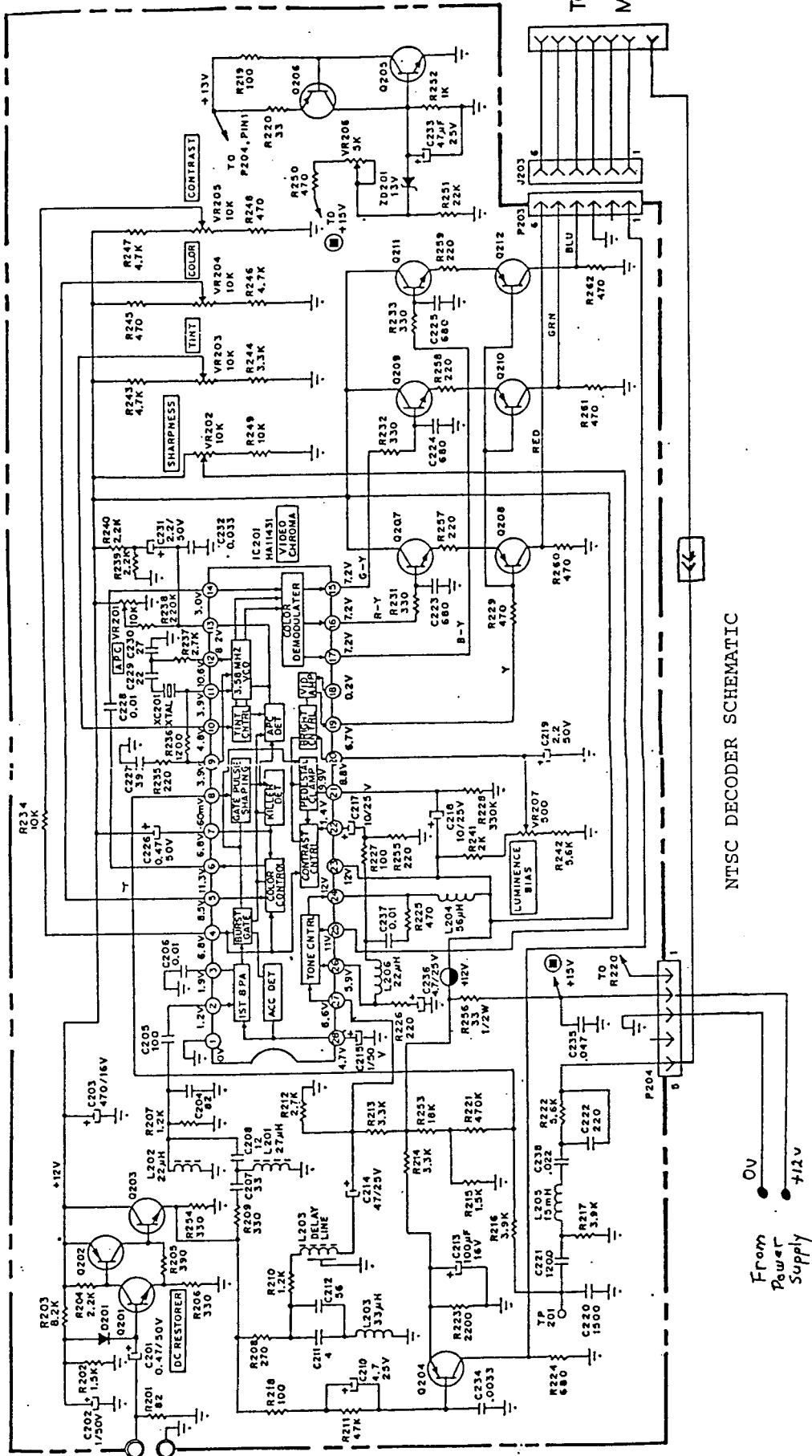
(1) If the correct connector is not used the coin mech. will be damaged.

(2) Model G.13.1404 uses only a 10-way connector at one end and a 16-way connector at the other.

(3) Model G.13.1002 and G.13.0004 use only a 10-way connector at both ends.



LASER DISK
PLAYER
Vid₄₀
IN



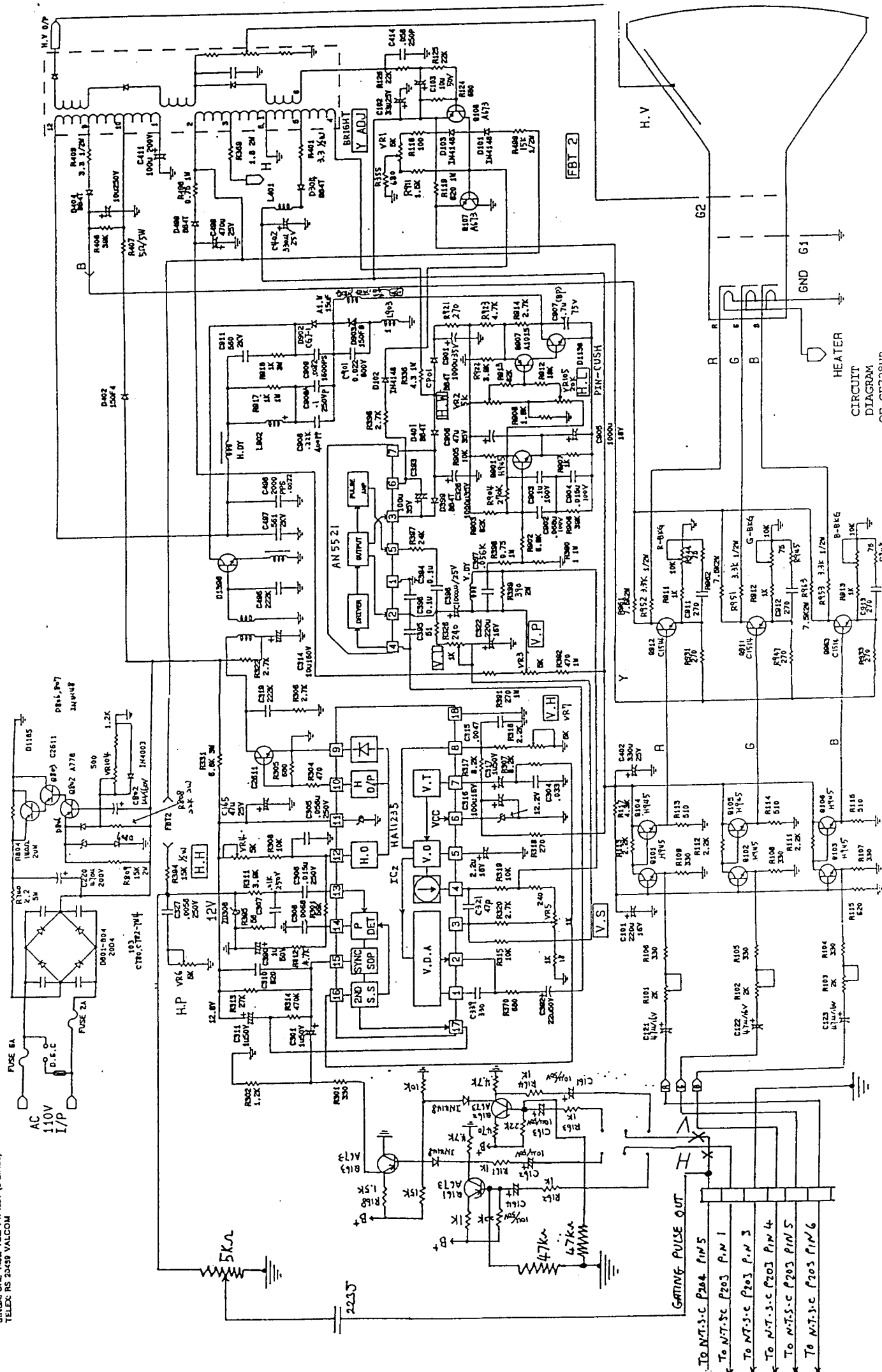
NTSC DECODER SCHEMATIC

TO GLENDALE
MONITOR

FROM
Power
Supply
0V
+12V

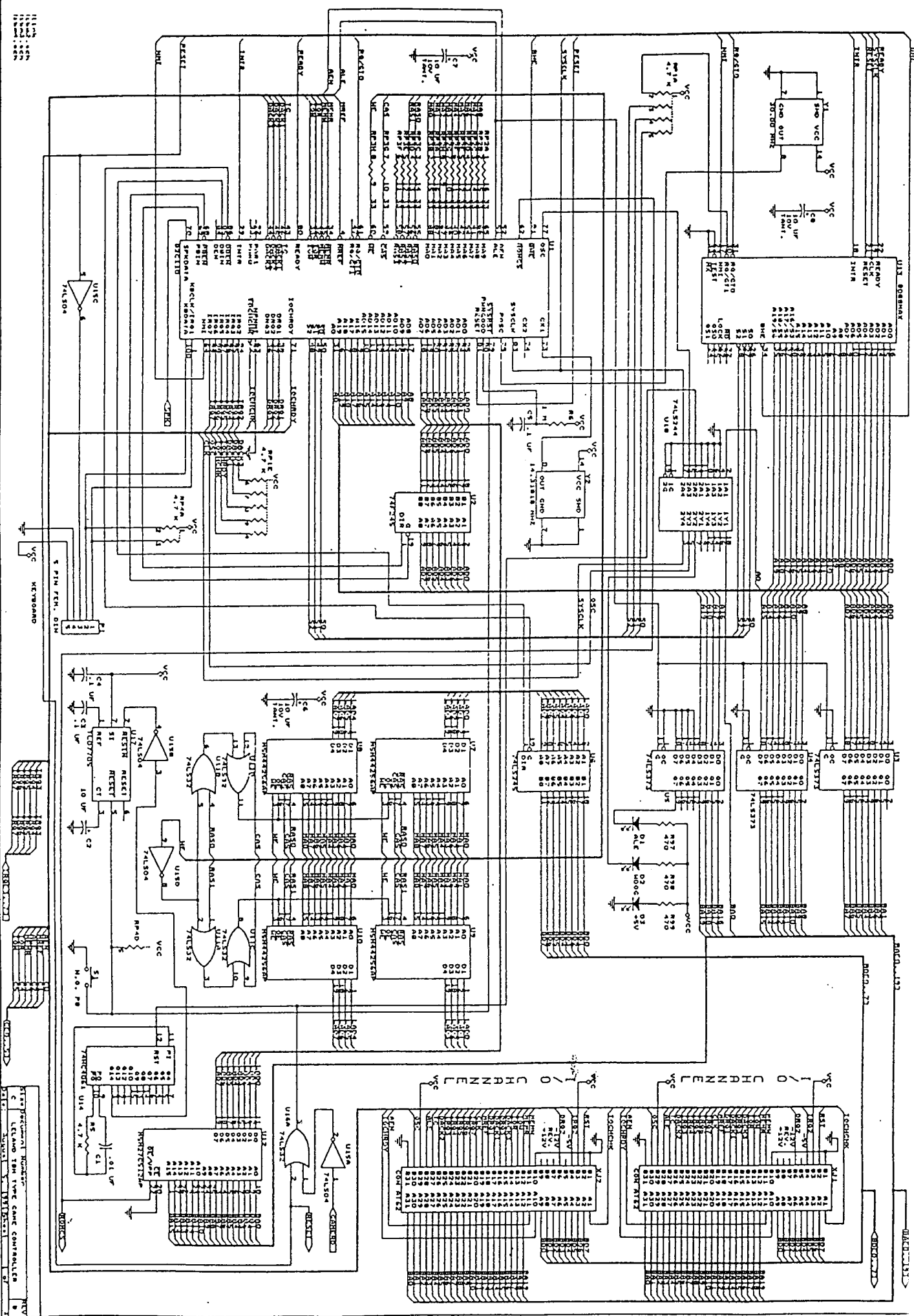
MODIFIED FOR DRAGONS LAIR II

GLENDANS
 ELECTRONIC COMPONENTS PTE LTD.
 631 ALMURIED ROAD #04-11, LIPPO FACTORY,
 SINGAPORE 1-23. TEL: 7474651 (2 LINES)
 TELEX: RS 20499 VALCOM



CIRCUIT DIAGRAM OF GE728HR (New Ver)

- ← To NT-3-c P204 P1N5
- ← To NT-3-c P203 P1N1
- ← To NT-3-c P203 P1N3
- ← To NT-3-c P203 P1N4
- ← To NT-3-c P203 P1N5
- ← To NT-3-c P203 P1N6

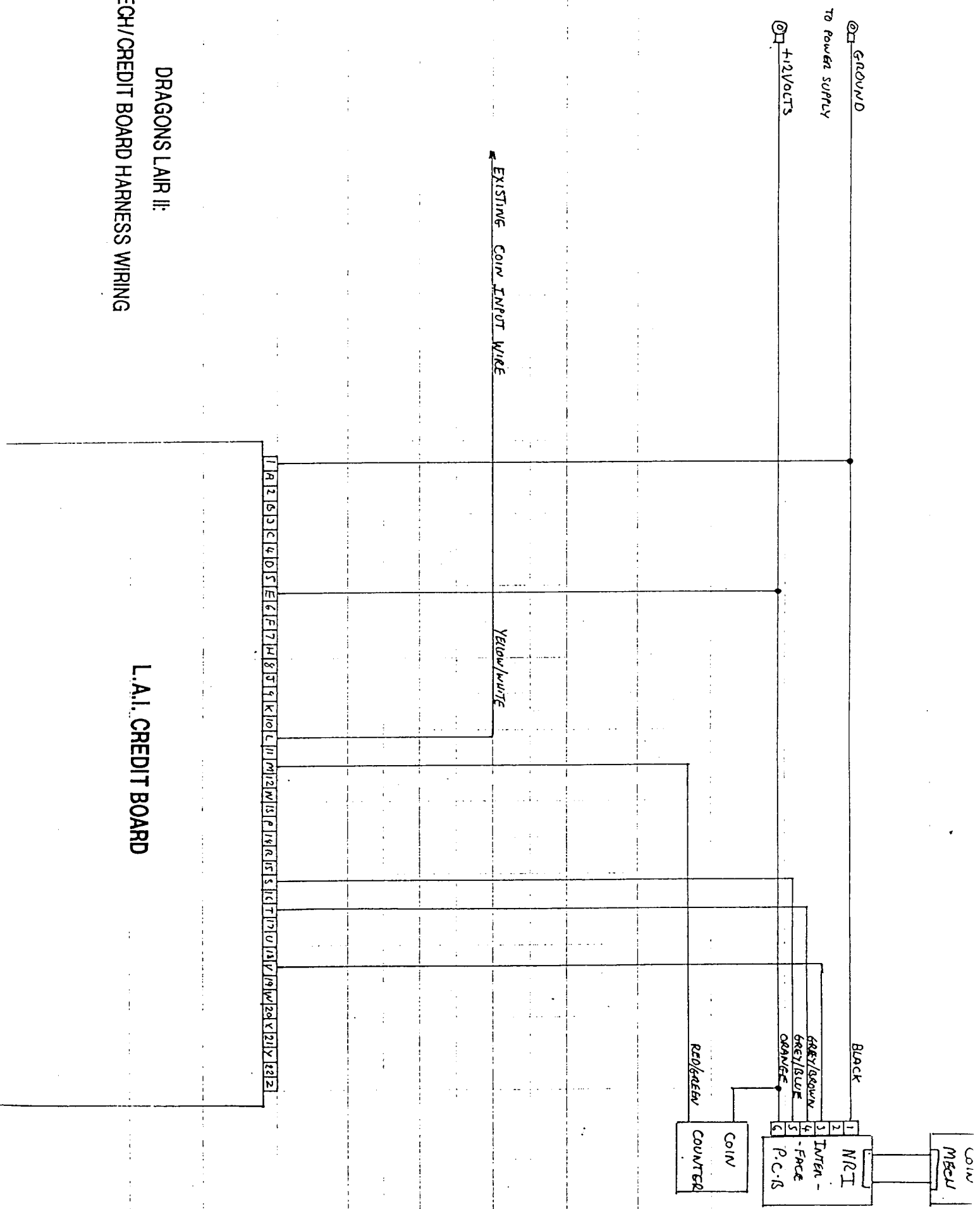


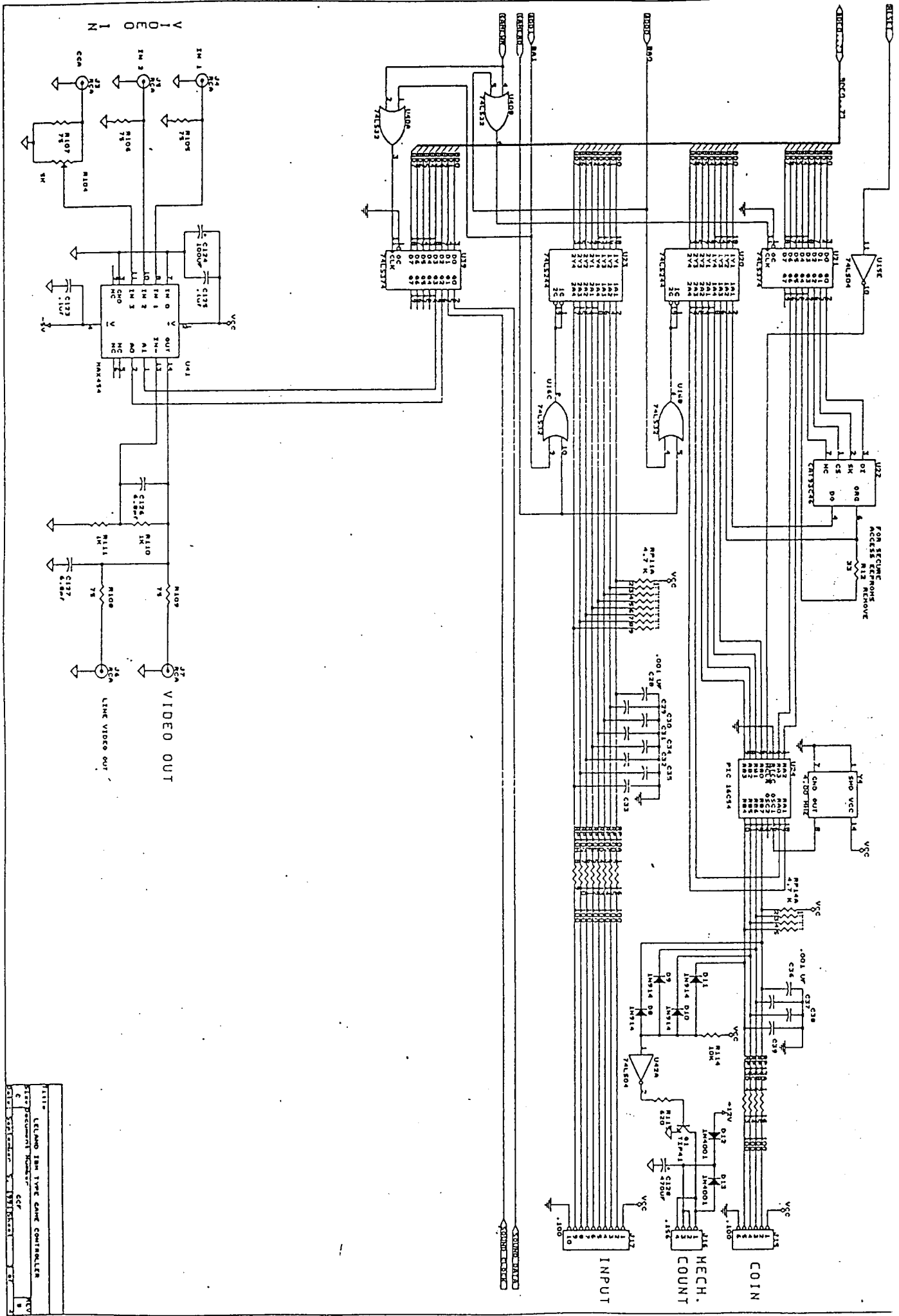
11:14
11:14
11:14
11:14

STANDARD NUMBER
C LEMO 10M TYPE GARD CONTROLLER
ST. Model 11111111

DRAGONS LAIR II:
 COIN MECH/CREDIT BOARD HARNESS WIRING

L.A.I. CREDIT BOARD





TITLE: LELAND IBM TYPE GAME CONTROLLER
 SITE: Recreational Machine
 DATE: 3/21/2004
 BY: [Signature]

Note: The coin meter will count accepted coins in 10c units.

SWITCH OPTIONS (DIP SW 1, 2, 3, 4)				Coins under \$1.00	Games per \$1.00	Games per \$2.00
1	2	3	4	Coin	Coin	Coin
off	off	off	off	20¢ per game	5	10
on	off	off	off	" "	5	11
off	on	off	off	" "	6	12
on	on	off	off	40¢ "	3	6
off	off	on	off	" "	3	7
on	off	on	off	" "	3	8
off	on	on	off	" "	4	8
on	on	on	off	60¢ "	2	4
off	off	off	on	" "	2	5
on	off	off	on	80¢ "	2	3
off	on	off	on	" "	2	4
* on	on	off	on	\$1 "	1	2
off	off	on	on	" "	1	3
on	off	on	on	" "	2	3
off	on	on	on	" "	2	4
on	on	on	on	" "	3	4

Credit PCB reset LED

To simplify diagnosis of any coin board faults, should the credit PCB become faulty the LED will flash on and off. A short flash when power is applied is normal, with the LED being off when operating correctly.

CREDIT BOARD DIP SWITCH SETTING

* FACTORY SETTING