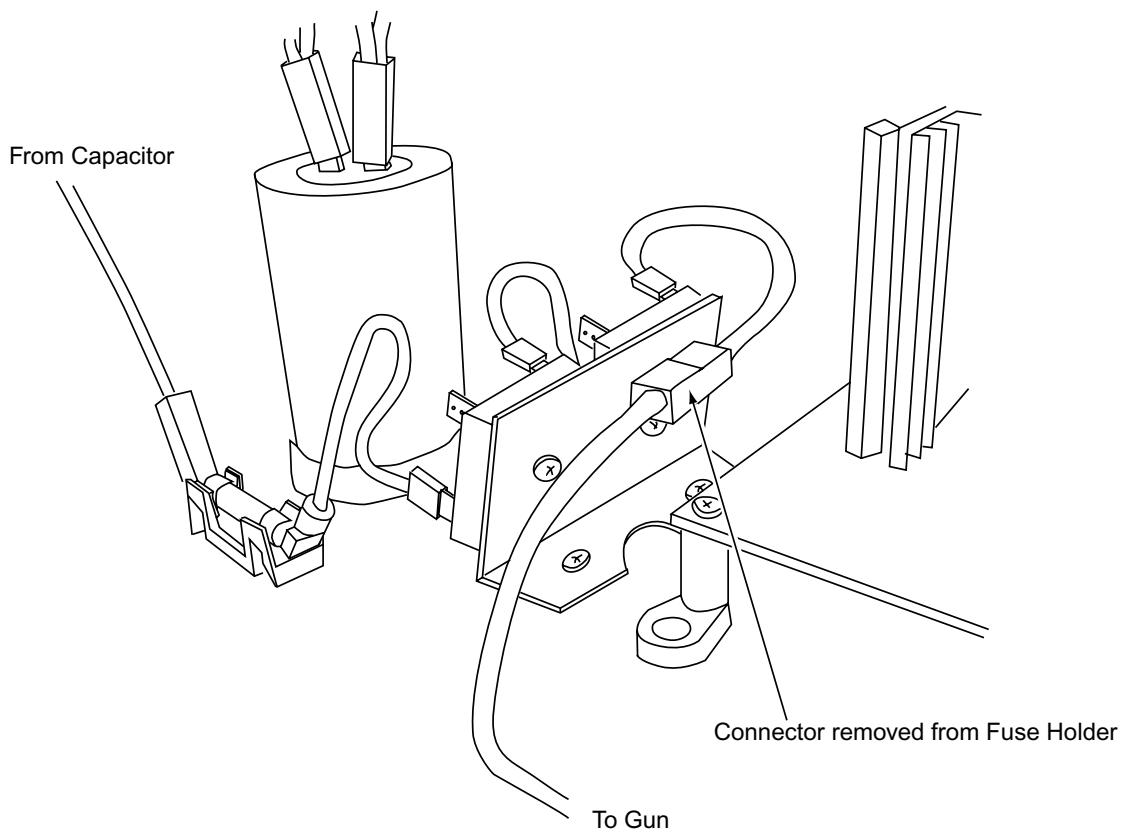


CRISIS ZONE SD - MODIFICATION

Before commencing this modification, ensure that the game is switched OFF and disconnected from the power supply

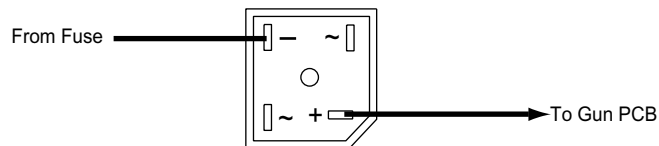
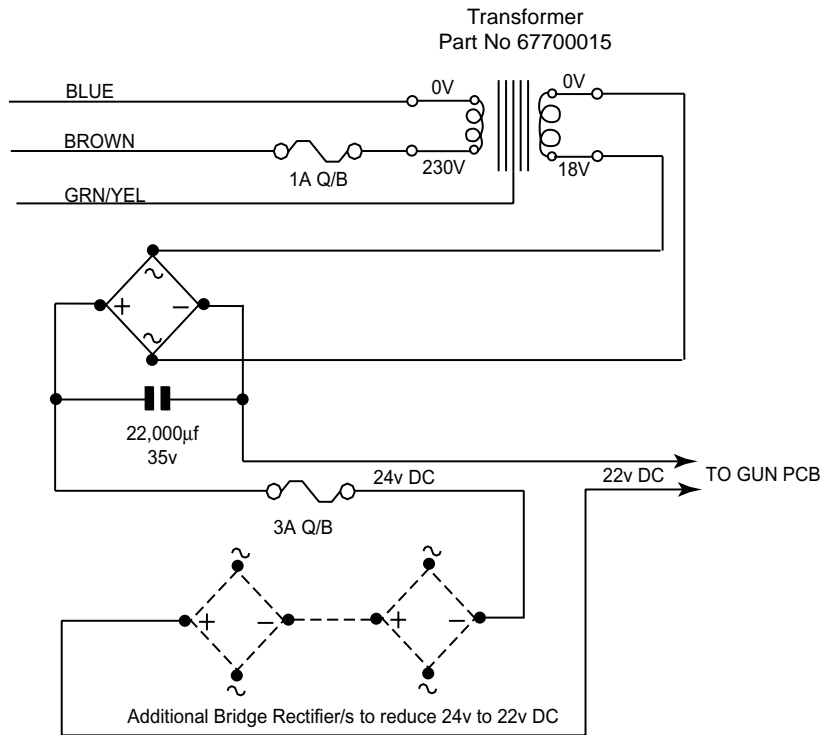
- 1 Remove the Cabinet Rear Door.
2. Fit the new Bridge Rectifier assembly between the capacitor and the 3v3 PCB (as shown below) using 2off wood screws No6 x 1/2".
- 3 Disconnect the green wire, going to the gun, from the fuse holder.
- 4 Connect the wire, with the flat blade, from the rectifier to the green wire previously removed from the fuse holder.
- 5 Connect the other wire from the rectifier to the fuse holder.



CRISIS ZONE

To extend the life of the Gun Motor, it has become necessary to reduce the voltage to the motor from 24v DC (as shown on the schematic), to 22v DC.

This has been accomplished by the addition of 1 or 2 bridge rectifiers placed in the circuit between the 24v DC 3A Fuse and the Gun PCB.



Bridge Rectifier
Part No. 71000040

