

8

7

6

5

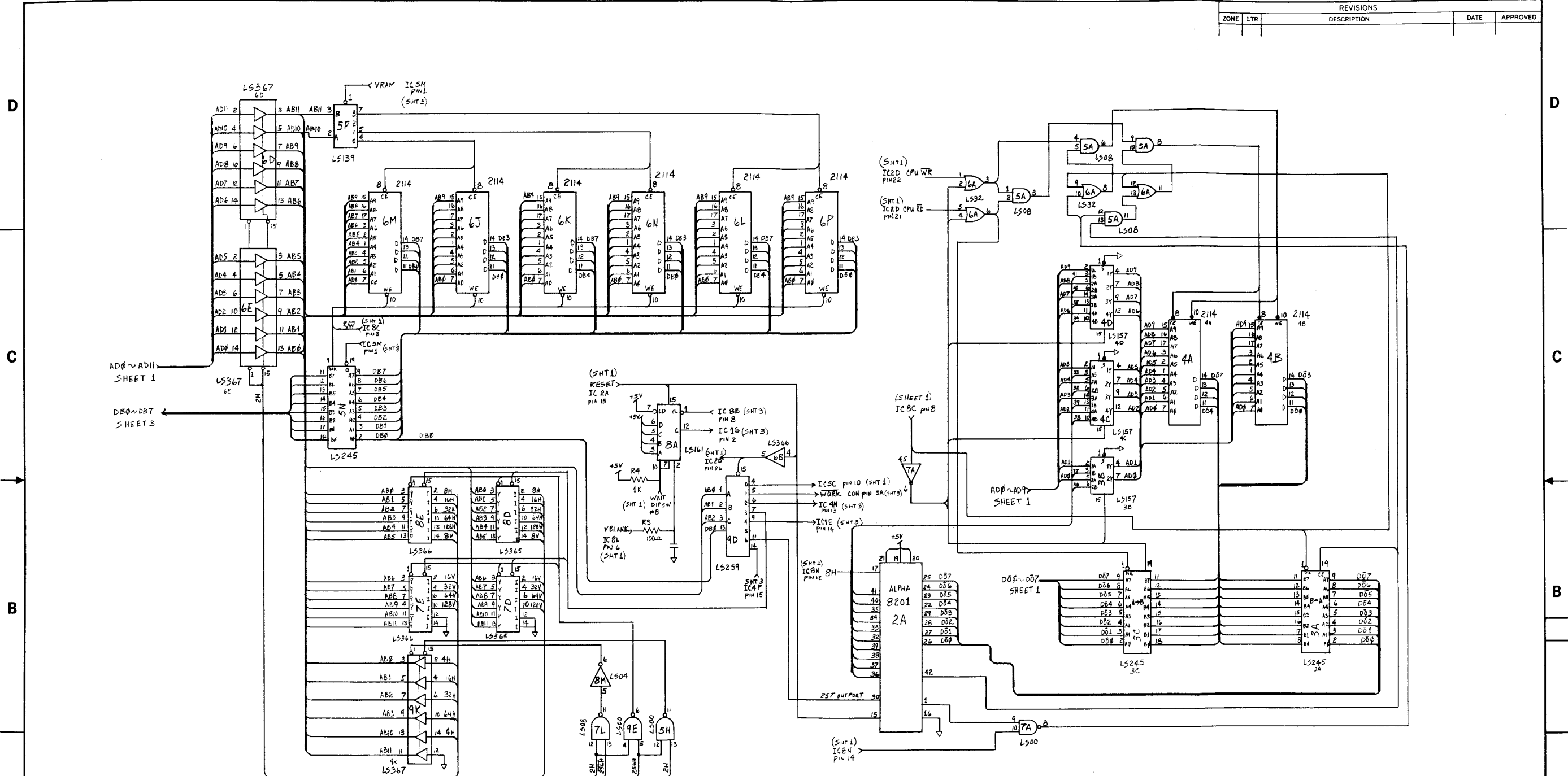
4

3

2

1

REVISIONS				
ZONE	LTR	DESCRIPTION	DATE	APPROVED



QTY REQD	CODE IDENT	PART OR IDENTIFYING NO.	NOMENCLATURE OR DESCRIPTION	ITEM NO.
PARTS LIST				
UNLESS OTHERWISE SPECIFIED DIMENSIONS ARE IN INCHES TOLERANCES ARE:		CONTRACT NO.		
FRACTIONS	DECIMALS	ANGLES	APPROVALS	
±	±	±	DATE	
±	±	±	DRAWN	
MATERIAL		CHECKED		
FINISH		MECH		
NEXT ASSY		ELEC		
USED ON		MFG		
APPLICATION		PROJECT		
DO NOT SCALE DRAWING		SIZE		
		CODE IDENT NO.		
		DRAWING NO.		
		REV		
		D		
		834-5210-01		
		SHEET 2 OF 4		

8

7

6

5

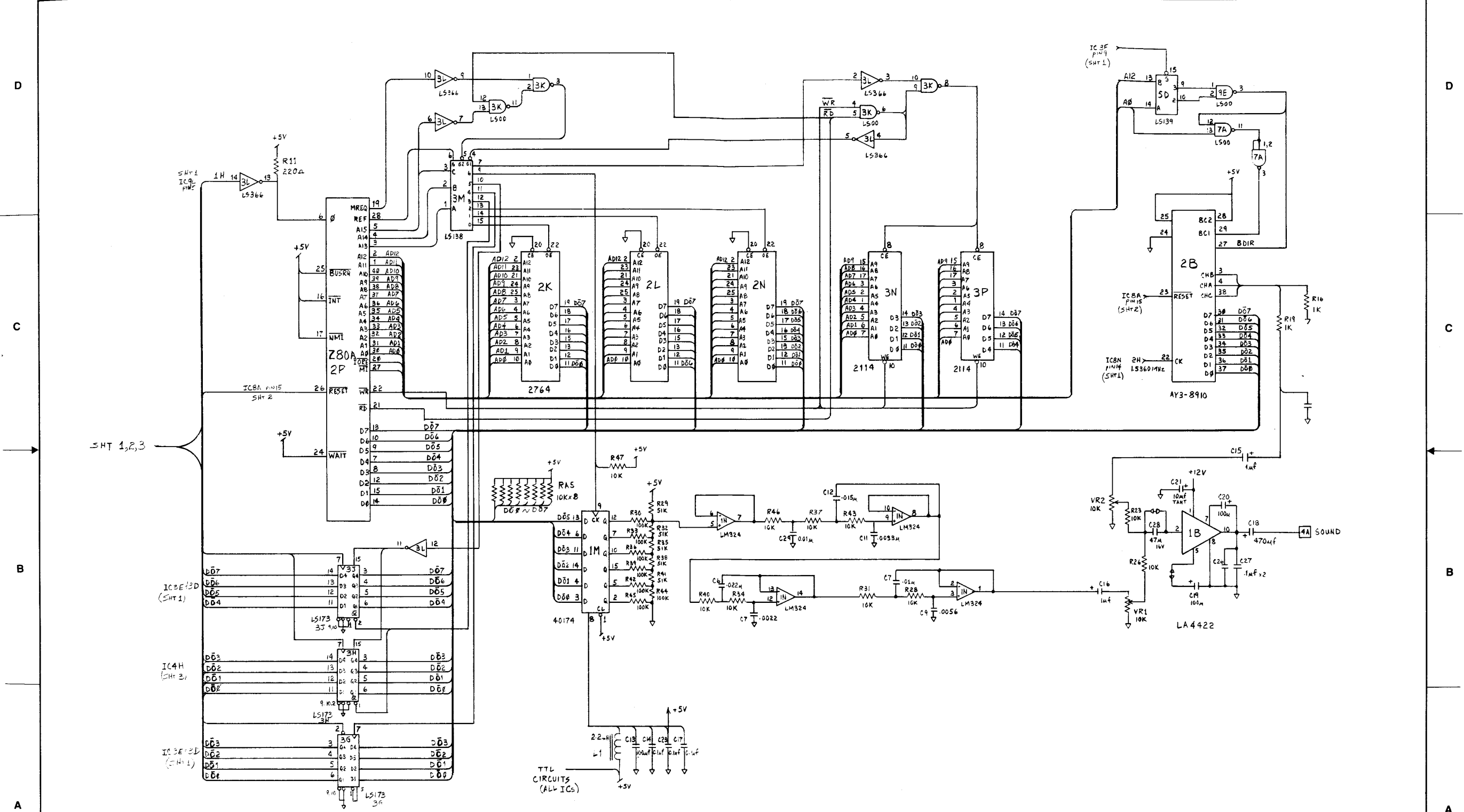
4

3

2

1

90



IC Board

16250 Technology Drive ELECTRONICS, INC. San Diego, California 92127

SIZE	FSCM NO	DWG NO	REV
D		834-5210-01	
		SHEET 4 OF 4	