



27" C.A.R.T. Fury Dedicated Video Game Amendment

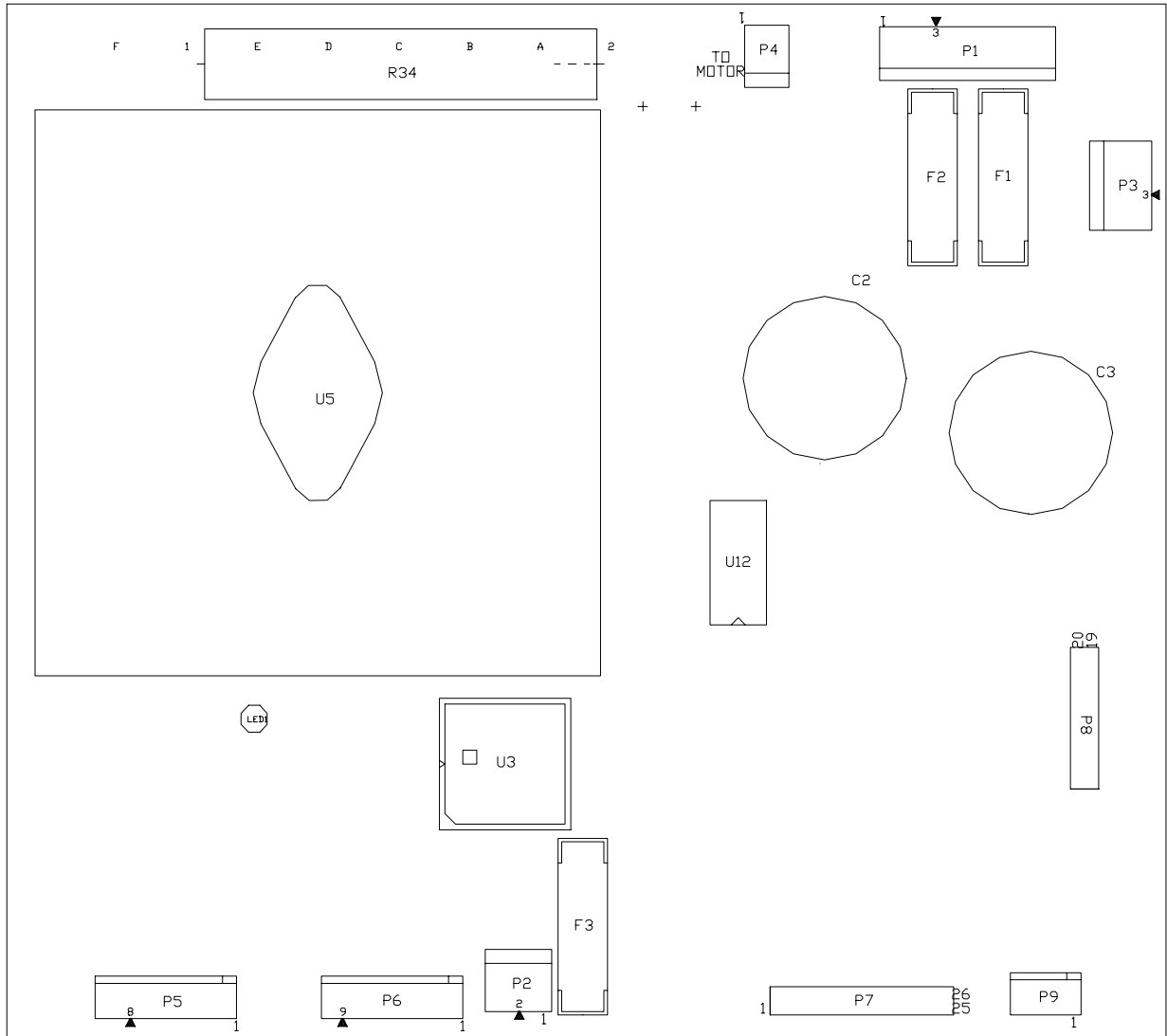
Please be informed of the following changes...

I. Correction of typo regarding fuse size for Wheel Driver Board. The chart on page 15 in Chapter 4 Parts has been amended. Refer to page 1 of this amendment for complete details.

II. Wiring diagrams as shown in the 27" Dedicated C.A.R.T. Fury™ manual (16-40090-101) are incorrect due to recent revisions.

Please refer to page 2 through 5 for information regarding main cabinet, RF cage, control player panel, and power wiring diagrams.

I.



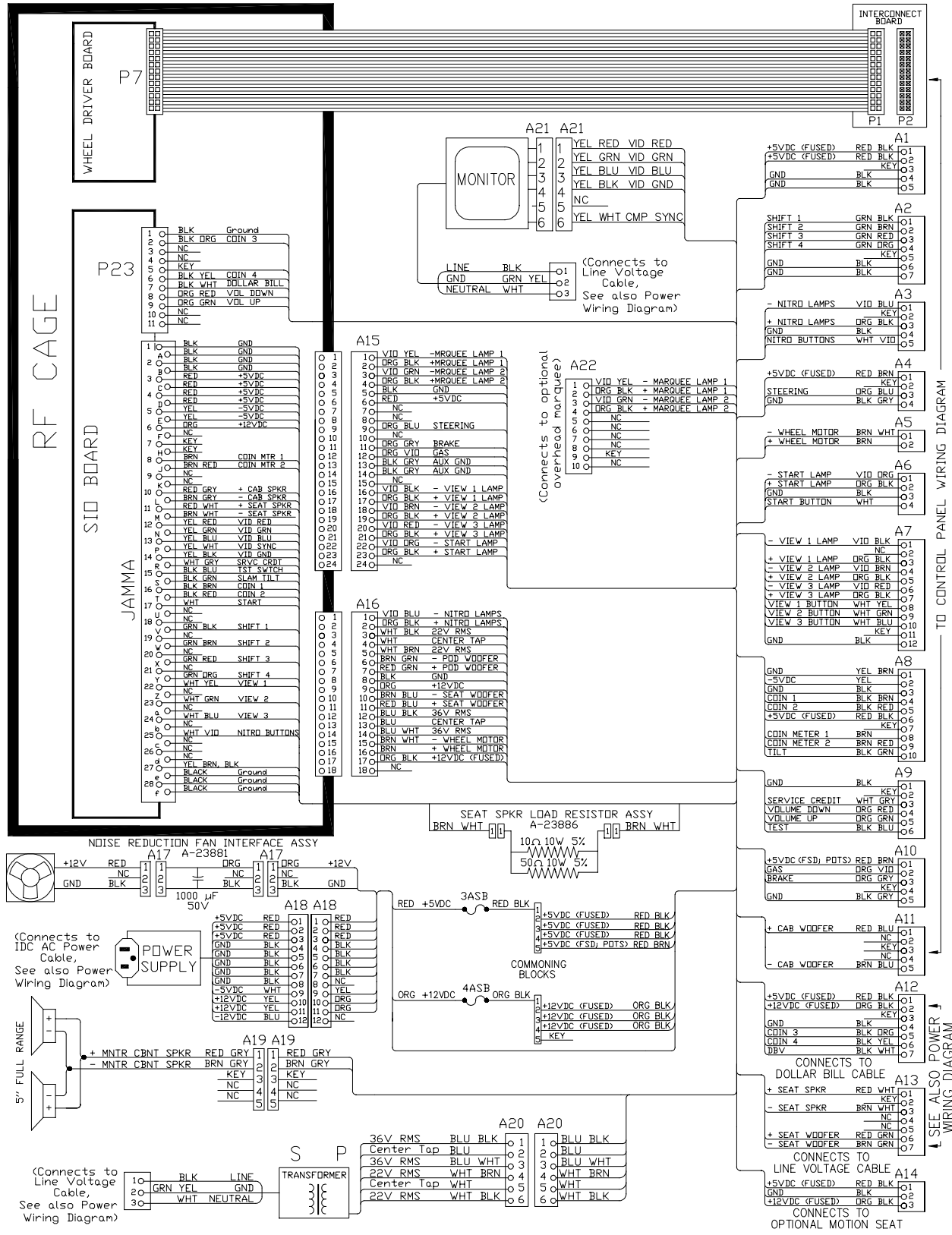
Wheel Driver Board 04-12770.1

Field Replaceable Wheel Driver Board Parts

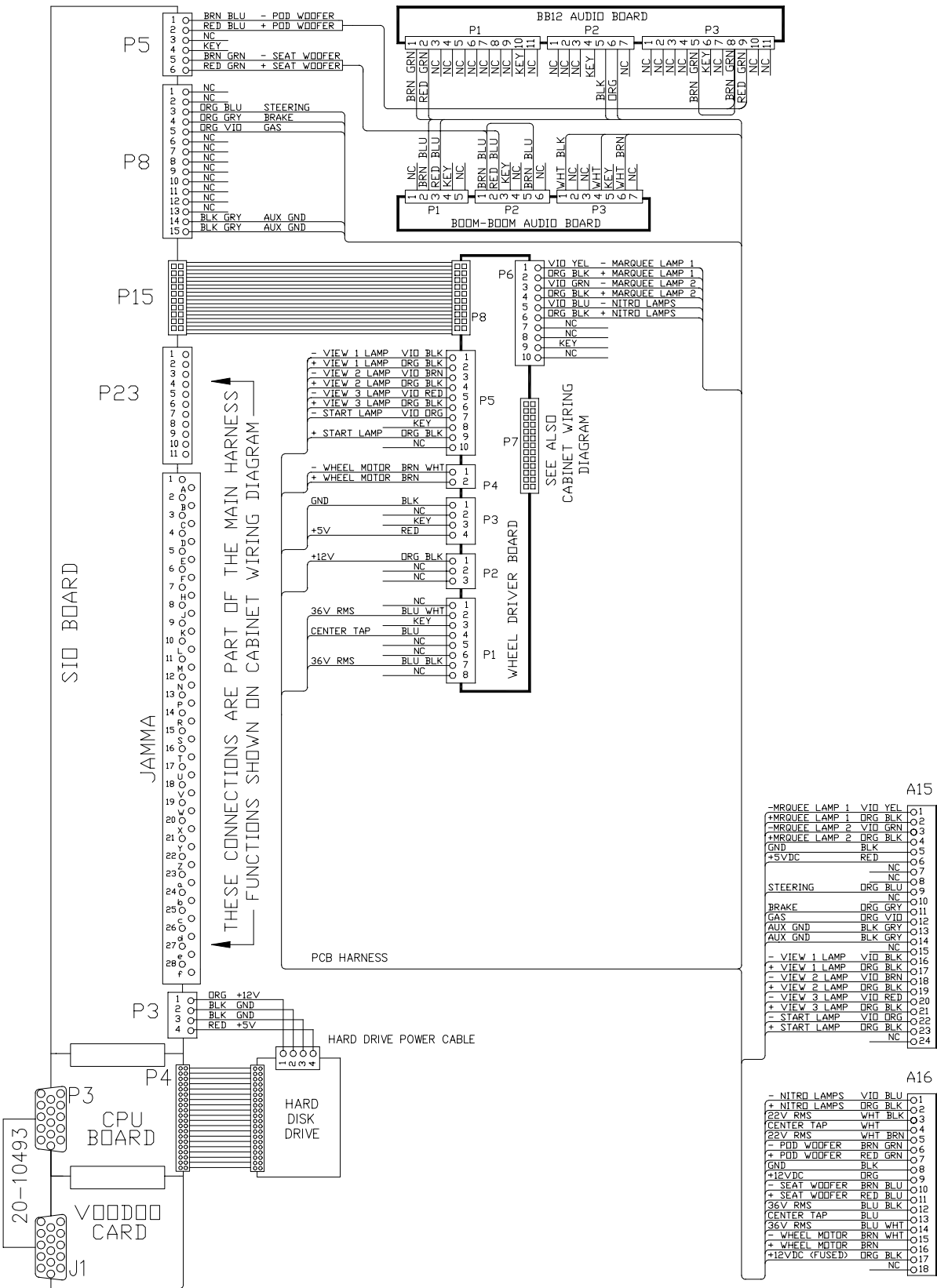
DESIGNATION	PART NUMBER	FUNCTION	DESCRIPTION
F1, F2	5731-14094-00	Circuit Protection	Fuse 4A SB
F3	5731-15627-00	Circuit Protection	Fuse .63A FB
U3	A-23362	Controller	PLD Assy Primary
U3	A-23363	Controller	PLD Assy Secondary

II.

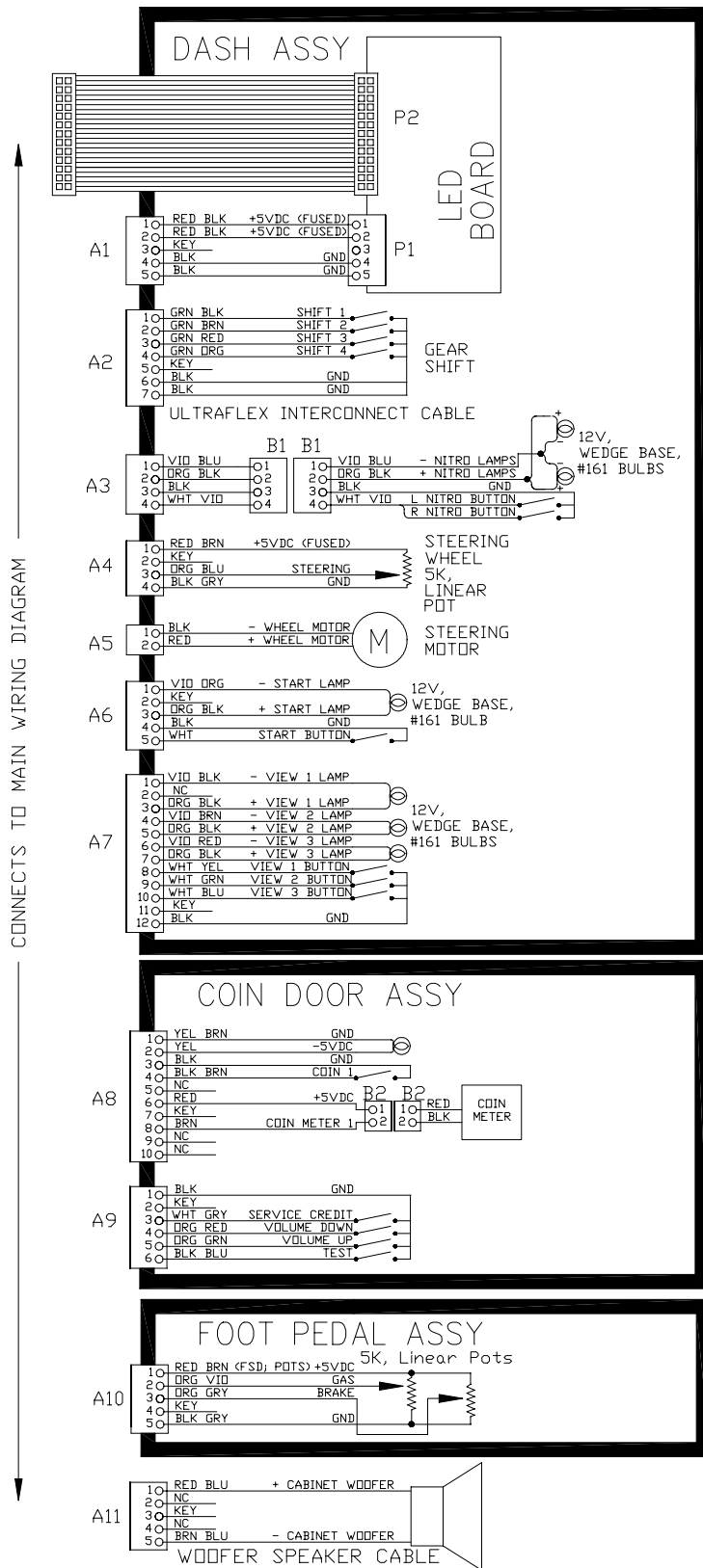
Main Cabinet Wiring



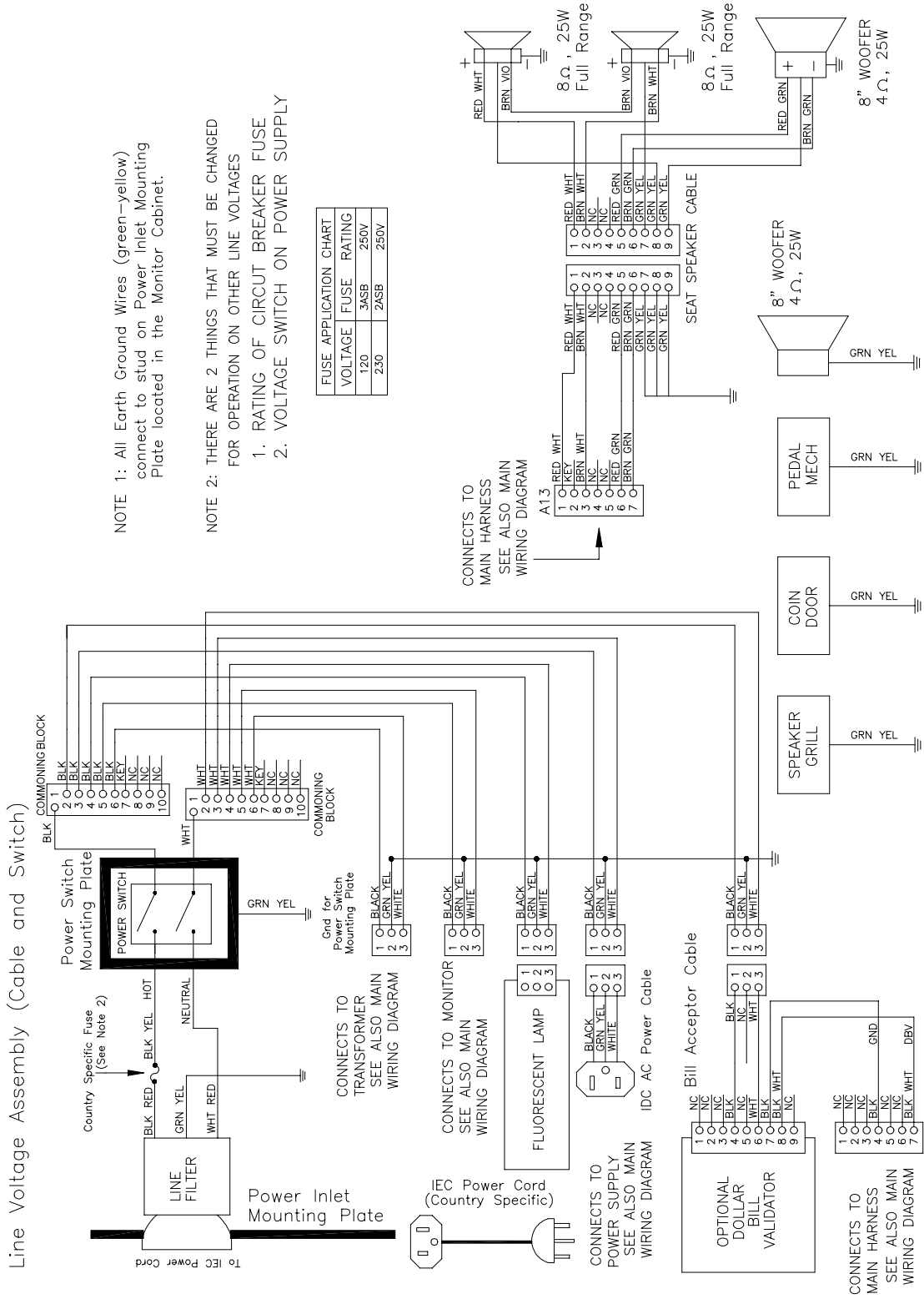
RF Cage Wiring



Control Panel Wiring



Power Wiring Diagram



NOTE 1: All Earth Ground Wires (green-yellow) connect to stud on Power Inlet Mounting Plate located in the Monitor Cabinet.

NOTE 2: THERE ARE 2 THINGS THAT MUST BE CHANGED FOR OPERATION ON OTHER LINE VOLTAGES

1. RATING OF CIRCUIT BREAKER FUSE
2. VOLTAGE SWITCH ON POWER SUPPLY

FUSE APPLICATION CHART		
VOLTAGE	FUSE RATING	TYPE
120	3ASB	250V
230	2ASB	250V