

SCHEMATIC # MOSI-00557-A003

REVISIONS

REVISIONS	DATE	NAME
FIRST FINISHED	11-4-8	J. K. SHERIFF

NOTES: 1. * = TRANS
2. Δ = TRANS BODY INSUL.

POWER SUPPLY BD.
A084-90414-C336

12 POS

20 POS

J-2 USED FOR SINGLE FIRE
9 POS

RAPID FIRE BD.
PC#A084-91410-A000

9 POS

J-1 USED FOR RAPID FIRE

BOSCONIAN C.T.

POWER SUPPLY BD.
PC# A084-91404

20 POS

9 POS

BD. A000

USED FOR
FLD FIRE

MONITOR
JACKS



CPU BD.
PC# A084-91404-B508

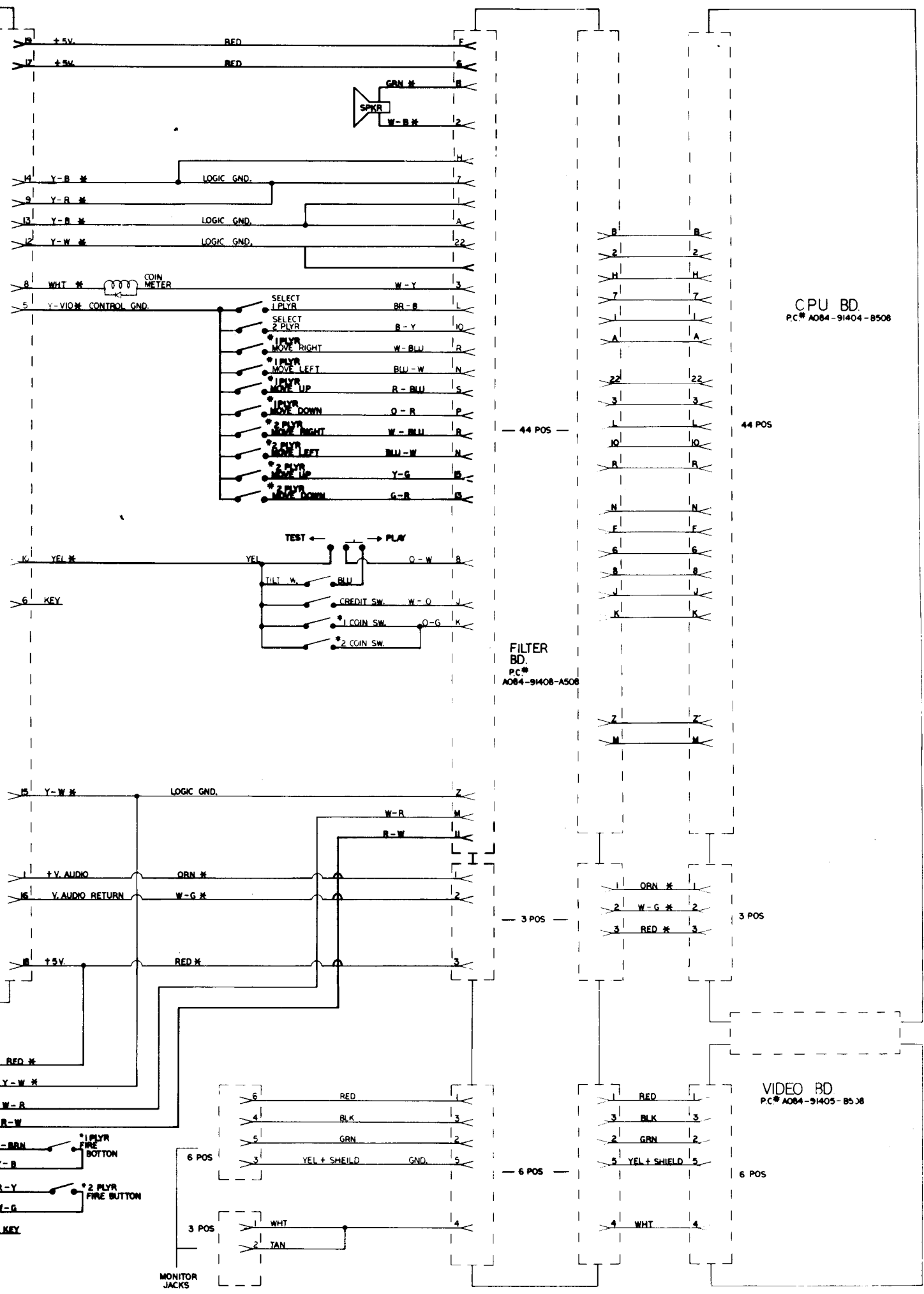
44 POS

FILTER
BD.
PC# A084-91408-A508

3 POS

VIDEO BD
PC# A084-91405-B538

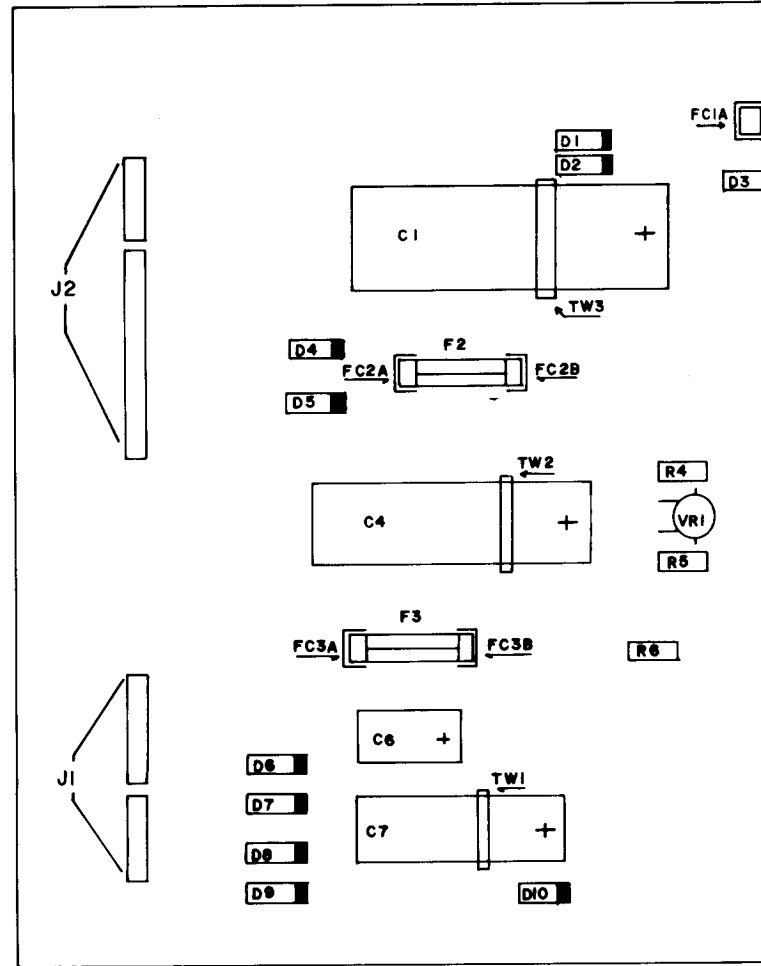
6 POS

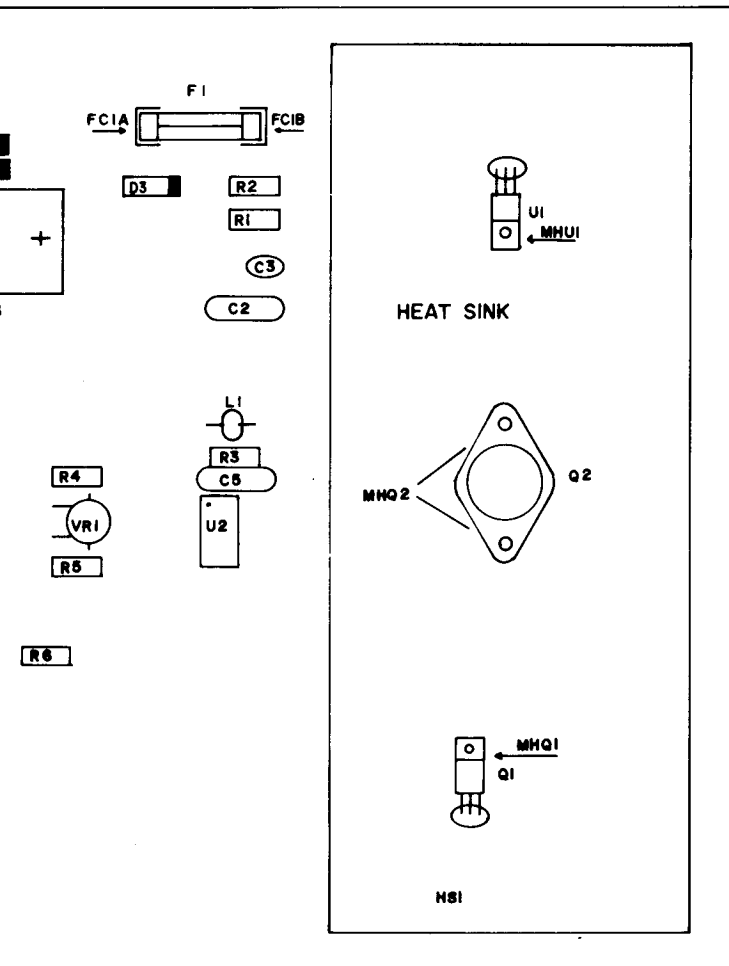


DESIGNATION

DESCRIPTION

C1	10000 MF 35V AX. ELEC.
C2	.01MF 50V AX. CER.
C3	1MF 25V TANT.
C4	200000MF 16V AX. ELEC.
C5	100PF 50V AX. CER.
C6	470 MF 16V AX. ELEC.
C7	4700 MF 25V " "
R1	470 OHM 1/4W 5% CRBN
R2	100 " " " "
R3	2.7K " " " "
R4	560 " " " "
R5	510 " " " "
R6	10 " " " "
VR1	100 OHM 1/4W CRBN. FLM.
D1, D2	A14F
D3	IN4004
D4, D5	MR750
D6-D9	A15F
D10	A14F
Q1	TIP31
Q2	2N3055
U1	LM317
U2	3652
L1	FERROXCUBE BEAD
HS1	HEAT SINK
F1	FUSE 2A
F2	" 6A
F3	" 6A
FC1A, FC1B, FC2A	FUSECLIP W/ STOP
FC2B, FC3A, FC3B	" "
J1	CONN. KK.156 (RA)(5-PIN)(6-PIN)
J2	" " (RA)(5-PIN)(13-PIN)
MHQ1	MOUNTING HARDWARE Q1 (1) SCREW 4-40X10 SLT RND (1) WSH.4 120-250-018 (1) HEXNUT 4-40 (1) SHOULDER WSH. 974-302 THERMAL COMPOUND AS REQ. (1) TO-220 INSULATOR RT-3.5 MICA
MHQ2	MOUNTING HARDWARE Q2 (2) SCREW 4-40X10 SLT RND (2) WSH.4 120-250-018 (2) HEXNUT 4-40 (2) SHOULDER WSH. 974-302 THERMAL COMPOUND AS REQ. (1) TO-3 RT-1.5 FILM
MHU1	MOUNTING HARDWARE U1 (1) SCREW 4-40X10 SLT RND (1) WSH.4 120-.250-018 (1) HEXNUT 4-40 (1) SHOULDER WSH. 974-302 THERMAL COMPOUND AS REQ. (1) TO-220 INSULATOR RT-3.5 MICA
TW1-TW3	TIE WRAPS





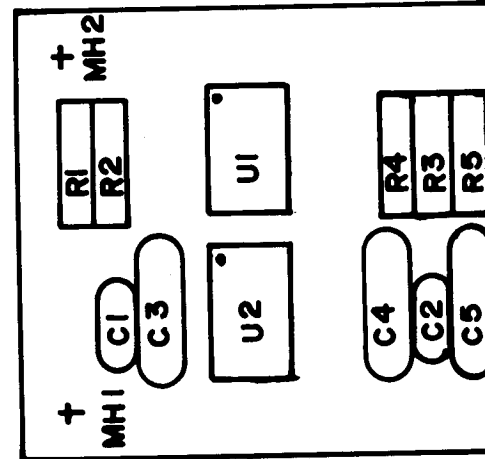
DESCRIPTION	QTY	DESIGNATION	PART NUMBER
100 PF 50v AX.CER.	1	C5	0508-00800-2100
.01MF " " "	1	C2	0171-097H2-JXXX
1MF 25v TANT.	1	C3	0935-00814-0100
470MF " AX.ELEC.	1	C6	0175-271EX-EXXX
4700MF " " "	1	C7	0508-00800-2200
10000MF 35v AX.ELEC.	1	C1	0175-322GX-EXBX
20000 16v MF " "	1	C4	0935-00814-0800
10 OHM 1/4w 5% CBN	1	R6	0062-051B3-1XXX
100 " " " "	1	R2	0062-110B3-1XXX
470 " " " "	1	R1	0062-156B3-1XXX
510 " " " "	1	R5	0062-159B3-1XXX
560 " " " "	1	R4	0062-162B3-1XXX
2.7K " " " "	1	R3	0062-199B3-1XXX
100 " " CBN FLM	1	VR1	0063-025AX-1DEX
1N4004	1	D3	0508-00801-0200
A14F	3	D1,D2,D10	0064-168XX-XXGX
A15F	4	D6-D9	0064-169XX-XXGX
MR750	2	D4,D5	0064-303XX-XXJX
TIP31	1	Q1	0065-485XX-XXXX
2N3055	1	Q2	0935-00800-0000
3532	1	U2	0066-044BX-XXXX
LM317	1	U1	0935-00804-3600
FERROXCUBE BEAD	1	L1	0017-00009-0225
HEAT SINK	1	HS1	0068-045XX-ABDX
FUSE 2A	1	F1	0017-00003-0005
FUSE 6A	1	F3	0017-00003-0008
FUSE 8A	1	F2	0017-00003-0184
FUSECLIP	6	FC1A,FC1B,FC2A, FC2B,FC3A,FC3B	0017-00003-0214
KK 156 (RA) (5)	2	J1,J2	3000-16387-0500
KK 156 (RA) (6)	1	J1	3000-16387-0600
KK 156 (RA) (13)	1	J2	3000-16387-1300
SCREW 4-40x10	4	MHU1,MHQ1,MHQ2	0017-00101-0727
WSH 4 120-.250-018	4	" " "	0017-00104-0071
HEXNUT 4-40	4	" " "	0017-00103-0002
SHOULDER WSH	4	" " "	0017-00042-0109
THERMAL COMPOUND	AS REQ.	" " "	0017-00009-0204
TO-220 INSULATOR	2	MHU1,MHQ1	0017-00003-0205
TO-3 INSULATOR	1	MHQ2	0017-00042-0108
TIE WRAPS	3	TW1-TW3	0017-00042-0105
PCB	1		A080-90414-C935

THIS DWG IS CONFIDENTIAL & PROPERTY OF MIDWAY MFG CO

DIM TOLERANCES UNLESS OTHERWISE SPEC CONCENTRICITY T I R .002 FRACTIONAL ± 1/64 DECIMAL ± .005 HOLE DIA + .002 - .000 ANGLE ± 1/2° DO NOT SCALE DWG	FIRST USE/UN: RALLY-X DATE: 2/9/82 BY: ANM	MIDWAY MFG. CO. FRANKLIN PK., IL 60151 A SALLY CO	REVISIONS PART NO: M051-00985-C028
	ASSEMBLY DRWNG PWR. SUPP. A084-90414-C935		

DESIGNATION LIST

<u>DESIGNATION</u>	<u>DESCRIPTION</u>
C1, C2	.1MF 100V MYLAR
C3-C7	.01MF 25V AX CER
R1-R4	1MEG OHM 1/4w 5% CRBN RES
R5	1K " " " " "
R6	68 " " " " "
R7	1K " " " " "
R8	68 " " " " "
U1	LM556
U2	7400
J1, J2	KK.156 VERT 2(6-PIN) 2(2-PIN)
MH1-MH4	SNAP BUSHING 1/4"

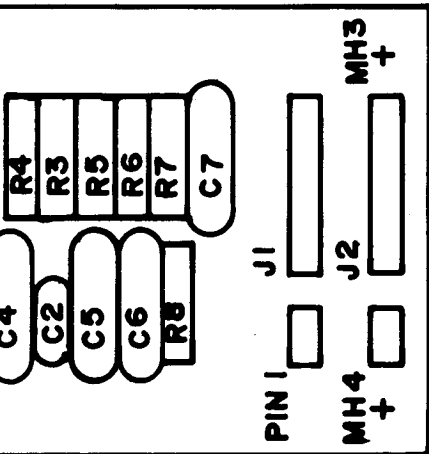


PROJECT ENG: JERRY SZERSZ

DIM. TOLERANCES	
UNLESS OTHERWISE SPEC	
CONCENTRICITY T I R	002
FRACTIONAL	± 1/64
DECIMAL	± 005
HOLE DIA	+ 002 -- 000
ANGLE	± 1/2°
DO NOT SCALE DWG	

DATE	GA
BY	MM
MECH	MM
ELEC	JS

CROSS REFERENCE LIST



<u>DESCRIPTION</u>	<u>QUANTITY</u>	<u>DESIGNATION</u>	<u>PART #</u>
.01MF 25VAX CER	5	C3-C7	0508-00800-0800
.1MF 100V 10% MYLAR	2	C1, C2	0508-00800-2300
68 OHM 1/4w 5% CRBN RES.	2	R6,R8	0062-098B3-1XXX
1K " " " " "	2	R5,R7	0062-179B3-1XXX
1MEG " " " " "	4	R1-R4	0062-323B3-1XXX
LM556	1	U1	0508-00803-5500
7400	1	U2	0508-00803-5600
KK.156 CON. (2-PIN)	2	J1,J2	3000-16335-0200
(6-PIN)	2	J1,J2	3000-16335-0600
MOUNTING HARDWARE			
SNAP BUSHING 1/4"	4	MH1-MH4	0017-00042-0014
RAPID FIRE P.C	1	A080-91410-A000	A080-91410-A000

ERSZEN

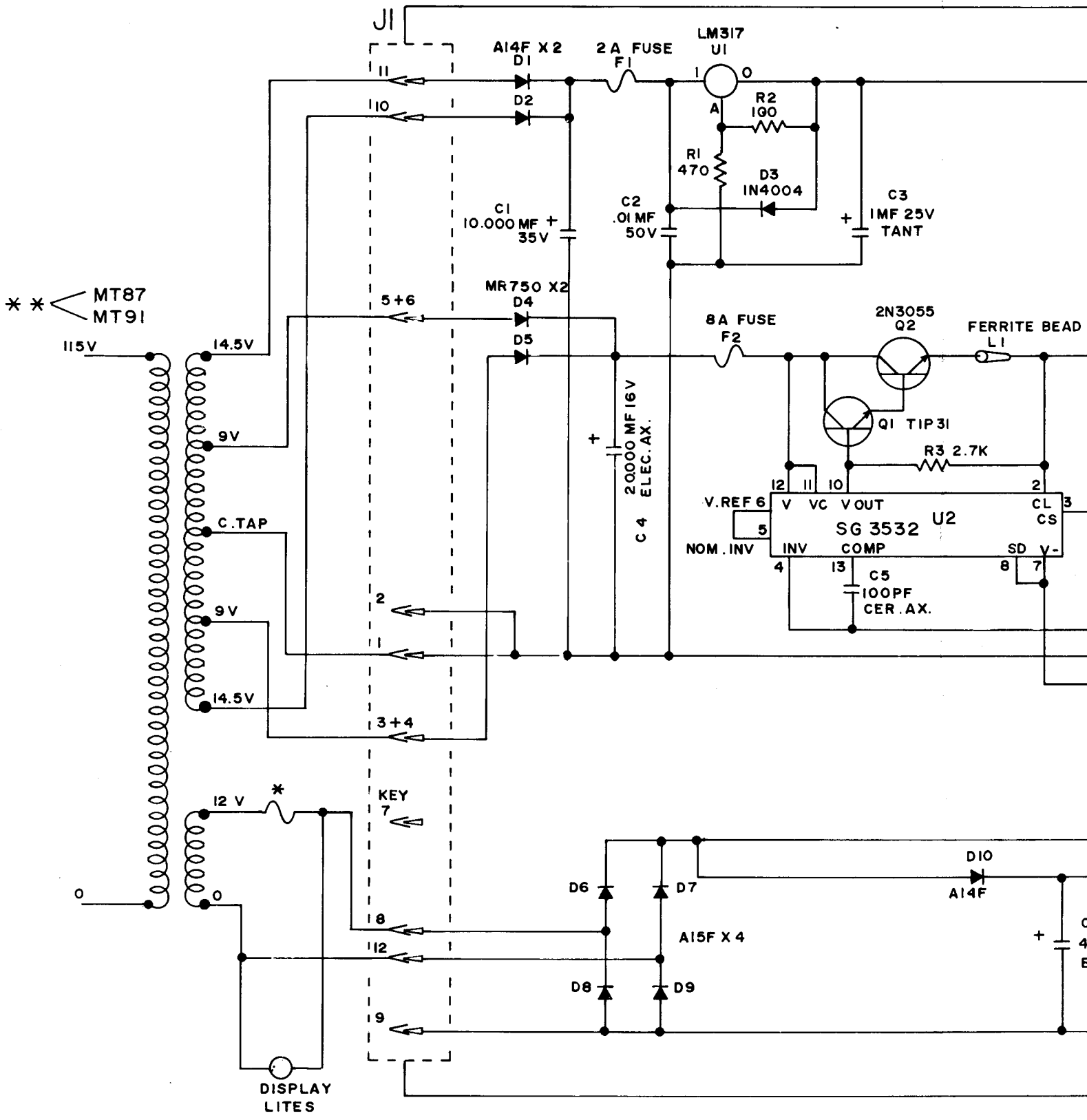
THIS DWG IS CONFIDENTIAL & PROPERTY OF MIDWAY MFG CO.

GALAGA	
DATE 09-30-81	SCALE FULL
FINISH	



RAPID FIRE P.C.
ASSEMBLY DRAWING
A082-91410-A000

REVISIONS	
PART NO	M051-00114-A001



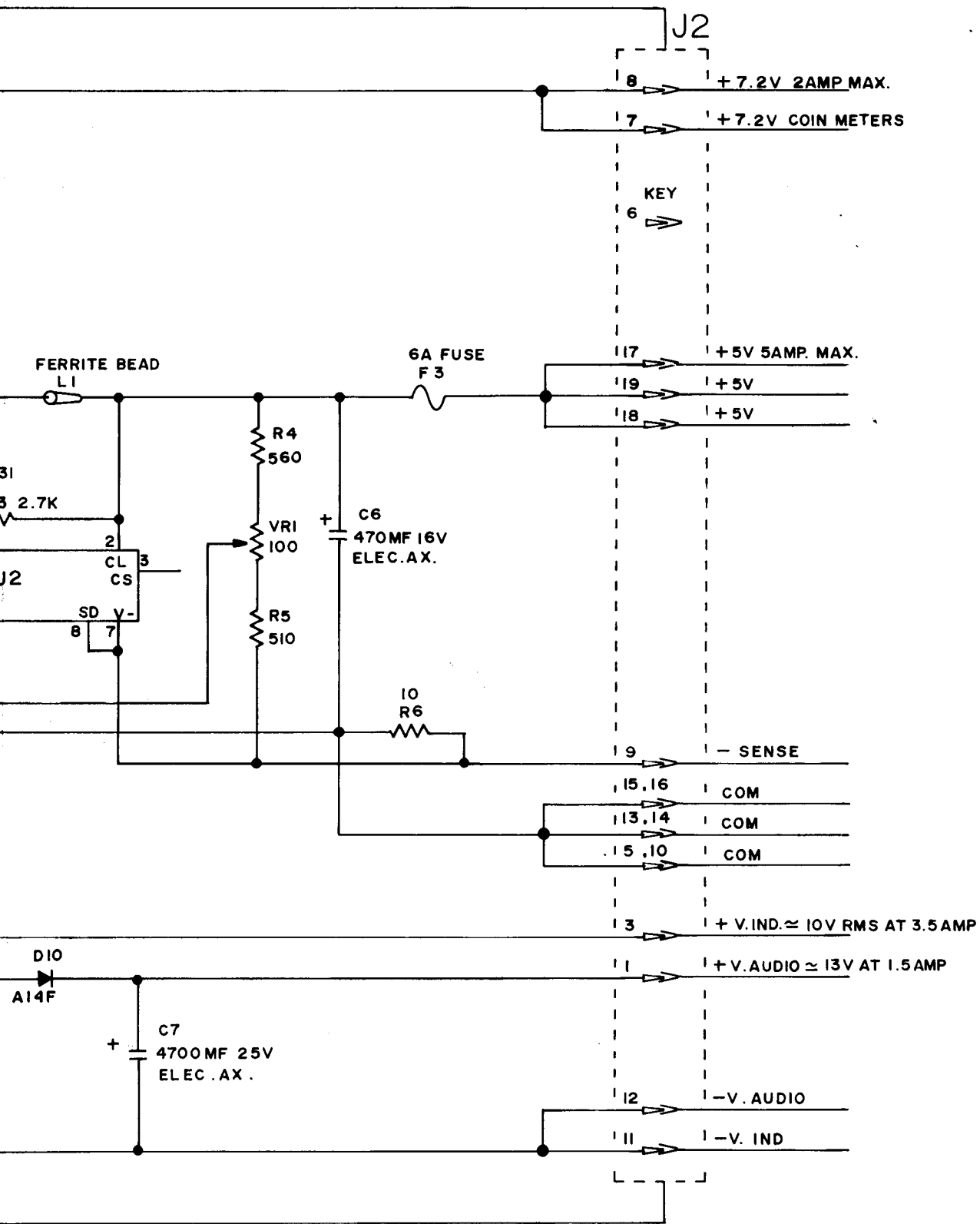
NOTES:

* 2AMP FUSE W/O DISPLAY LITES

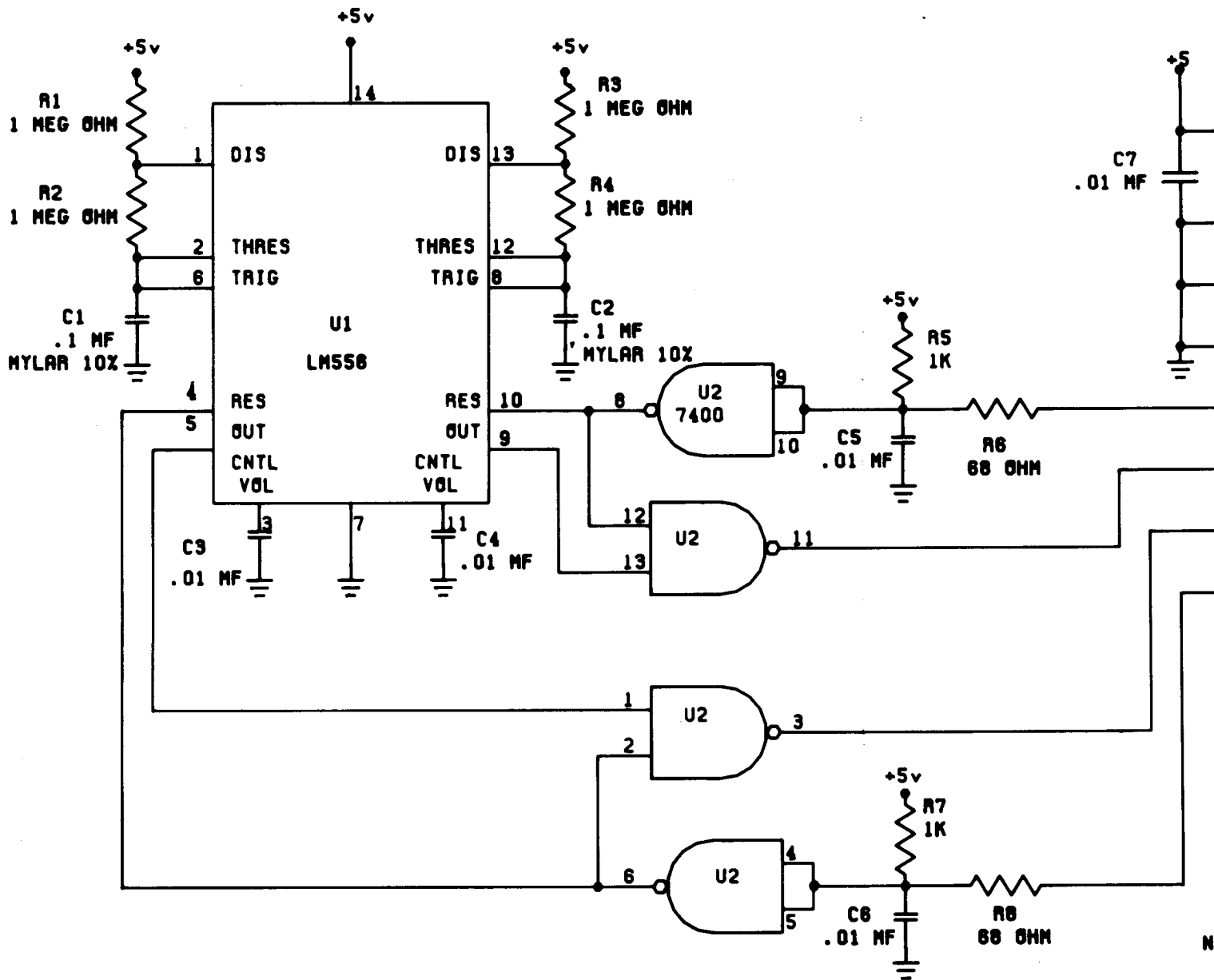
** MT87 FOR UR.

MT91 FOR C.T.

DO NOT SCALE D	
DIM. TOLERANCES UNLESS SPECIFIED	DRN /
CONCENTRICITY F1 R .003	CKD Y
FRACTIONAL 1/64	DATE
DECIMAL .005	
HOLE DIA + .002 .000	

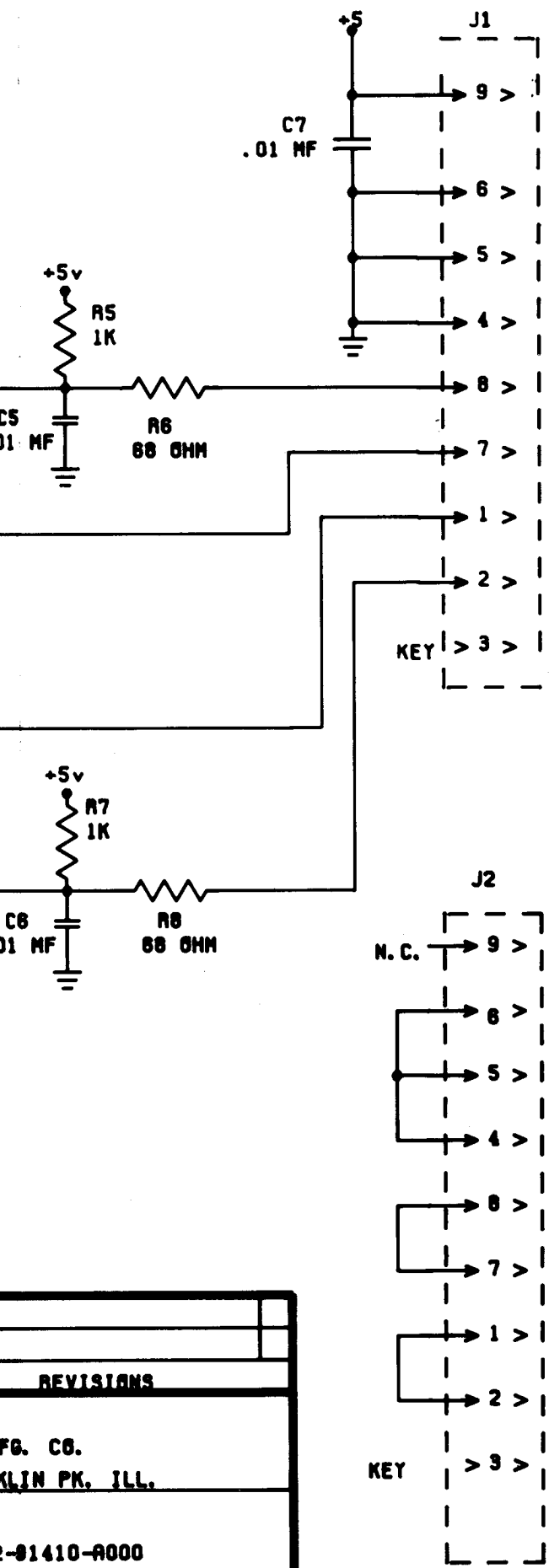


DO NOT SCALE DWG		HEAT TREAT	SCALE	USED ON RALLY-X	MIDWAY MFG. CO. FRANKLIN PK. ILL ART NO. M051-00935-0025
DIM TOLERANCES UNLESS SPECIFIED		MAT'L	FULL	NO. REQ'D / PER	
DIM TOLERANCES UNLESS SPECIFIED DECIMAL FRACTIONAL ANGULAR HOLE DIA	DRN <i>M.M.</i> CKD DATE 2-10-82	FINISH	SCHEMATIC POWER SUPPLY A084-90414-C935		
				REVISIONS 1 2	



M051-00114-A002

CKD. <i>V.S.</i>	DB NOT SCALE DMG.		REVISIONS
DRN. TJK	DATE 9/30/81	USED ON GALAGA	MIDWAY MFG. CO. FRANKLIN PK. ILL.
heat treat	scale FULL	NO. REQ'D 1 PER	
mat'l.	RAPID FIRE P.C.		PART NO. A062-91410-A000
finish			



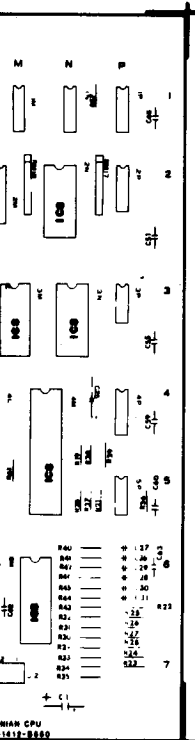
NOTE: USE J1
FOR RAPID
FIRE OPTION

NOTE: USE J2 TO
BYPASS
RAPID FIRE
OPTION

REVISIONS	
FG. C6.	
KLIN PK. ILL.	
-01410-A000	

CROSS REFERENCE LIST

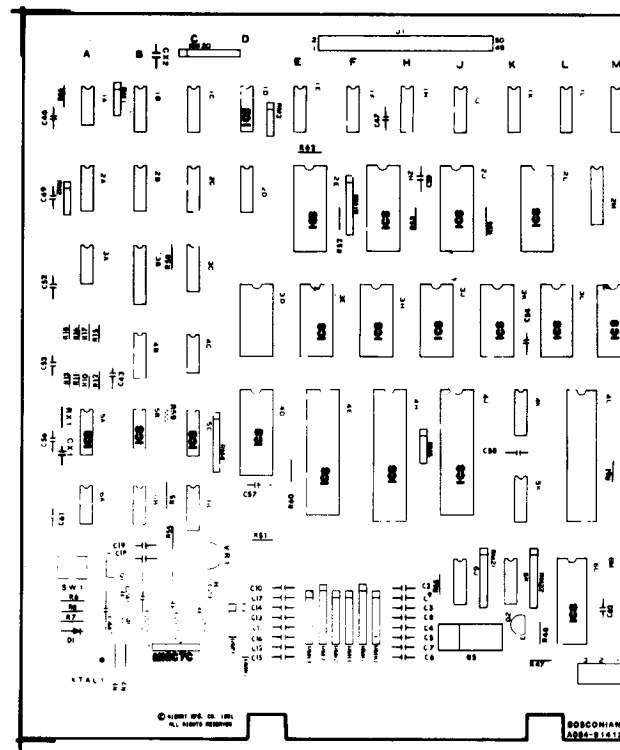
DESCRIPTION	QUAN	DESIGNATION	PART NO.	DESCRIPTION	QUAN	DESIGNATION	PART NO.
100 PF CER.	2	C46, C47	0880-00800-0900	PROM SS-1	1	IC 10	0880-00803-3100
001 MF POLY.	2	C30, C31	0880-00800-1100	" SS-2	1	" SC	0880-00803-3200
0022 MF CER.	1	C45	0880-00800-0800	EPROM SS-A	1	" SN	0880-00803-3300
01 MF "	17	C2-C17, C18	0880-00800-0700	" SS-B	1	" SM	0880-00803-3400
01 MF POLY.	4	C28-C29	0880-00800-1000	" SS-C	1	" SL	0880-00803-3500
.1 MF CER.	10	C18, C46-C43	0880-00800-0800	" SS-D	1	" SK	0880-00803-3600
.18 MF TANT.	2	C25, C24	0880-00800-1200	" SS-E	1	" SJ	0880-00803-3700
10 MF ELEC.	2	C29, C44	0880-00800-1700	" SS-F	1	" SN	0880-00803-3800
22 MF "	1	C20	0880-00800-1800	" SS-G	1	" SE	0880-00803-3900
100 MF "	1	C22	0880-00800-1900	STATIC RAM 2K X 8	1	" SN	0880-00803-4000
250 MF "	1	C21	0880-00800-1400	Z-80A	3	" SN	0880-00803-4100
470 MF "	1	C1	0880-00800-1300			" 4E, 4J, 4M	
100 OHM 1/4w 5% CRHM	1	R5	0082-11083-1XXX	14 PIN SOCKET	1	IC5 88	0880-00804-0800
220 " " " "	2	R1, R2	0082-14482-1XXX	18 " "	3	" 1B, 8A, 8C	0880-00804-0700
470 " " " "	3	7W6, R47, R48	0082-18683-1XXX	24 " "	8	" 2K, 2L, 2M, 2N, 2P, 2Q, 2R	0880-00804-0400
1K " " " "	13	R6, R10, R32-R34, R50-R52	0082-17983-1XXX	28 " "	7	" 2E, 2H, 2J, 2L, 4D, 2L, 2M	0880-00804-0300
		R31		32 " "	3	" 4E, 4J, 4M	0880-00804-0500
2.2K " " " "	2	R17, R30	0082-19583-1XXX	42 " "	1	" 4H	0880-00804-0700
2.2K " " " "	2	R20, R29	0082-20383-1XXX	18.432 MHZ CRYSTAL	1	XTAL 1	0880-00804-1100
4.7K " " " "	5	R18, R25, R29, R42, R45	0082-21183-1XXX	ANC-6 P B SWITCH	1	SW1	0880-00804-1200
10K " " " "	11	R7, R9, R10, R18, R26, R30, R34, R37, R44, R41, R45	0082-22783-1XXX	8 POS. DIP SWITCH	2	DIPSW1, DIPSW2	0880-00804-1400
22K " " " "	6	R11, R22, R27, R31, R41, R45	0082-24383-1XXX	CONN. R.A. HEADER, 50PIN	1	J1	0880-00804-0800
33K " " " "	2	R21, R24	0082-25983-1XXX	CONN. PCB HEADER, 5 PIN	1	J2	0017-00801-0443
47K " " " "	2	R42, R43, R46, R47, R48, R49	0082-26583-1XXX				
100K " " " "	2	R53, R54	0082-27383-1XXX	MOUNTING HARDWARE		MNCTC	0017-00103-0002
150K " " " "	2	R39, R42	0082-28383-1XXX	4-40X8 NUT	2	"	0017-00101-0510
220K " " " "	1	R22	0082-29183-1XXX	4-40X8 SLT PAN N.S.	2	"	0017-00804-0218
470K " " " "	1	R40	0082-30783-1XXX	WSH 4 .125-250-018 EXT. ST.	2	"	0017-00104-0071
220 OHM 5PIN	1	RM6	0880-00804-1800				
1K " 5PIN	5	RM1-RM5, RM6, RM9	0880-00804-1300	BOSCONIAN CPU PC.	1		A084-91412-8580
1K " 5PIN	3	RM4, RM6, RM7	0880-00804-18 00				
2.2K " 5PIN	4	RM10-RM13	0880-00804-19 00				
2.2K " 5PIN	4	RM17-RM20	0880-00804-16 00				
4.7K " 5PIN	2	RM21, RM22	0880-00804-1700				
1K POT	1	VR1	0880-00804-1900				
100K48	1	D1	0880-00801-0100				
2K3301A	1	Q1	0880-00802-0200				
2K4403	1	Q2	0880-00802-0100				
TIP110	1	Q3	0880-00802-0300				
08XX CUSTOM IC	1	IC2L	0088-0080X-KAPX				
070X " " "	1	" 4D	0088-0080X-KAPX				
080X " " "	3	" 2E, 2H, 2J	0088-0070X-KAPX				
500X " " "	1	" 8L	0088-0120X-KAPX				
510X " " "	1	" 4H	0088-0080X-KAPX				
540X " " "	1	" 8M	0088-0090X-KAPX				
74LS32	2	" 3F, 4C	0880-00803-0800				
74LS9	2	" 2A, 2B	0880-00803-0300				
7407	1	" 8B	0880-00803-0600				
74LS107	1	" 1A	0880-00803-7200				
74128	1	" 8S	0880-00803-0400				
74LS138	2	" 1P, 2P	0880-00803-0700				
74LS139	1	" 4P	0880-00803-0900				
74LS159	2	" 4B, 4C	0880-00803-0500				
74LS161	2	" 4K, 4M	0880-00803-1000				
74LS167	1	" 3C	0880-00803-1100				
74LS168	1	" 2D	0880-00803-1200				
74LS174	1	" 1C	0880-00803-1300				
74LS246	1	" 8N	0880-00803-1400				
74LS259	1	" 3C	0880-00803-1800				
74LS273	1	" 3B	0880-00803-1600				
74LS283	1	" 1B	0880-00803-1700				
74LS267	8	" 1E, 1F, 1H, 1J, 1K, 1L, 1M, 1N	0880-00803-1900				
74LS268	7	" 8A	0880-00803-1500				
74LS293	1	" 6A	0880-00803-2000				
18254	1	" 8P	0880-00803-0200				
MS270	1	" 7C	0088-1880X-K1KX				
40872880	1	" 5A	808-00803-5300				

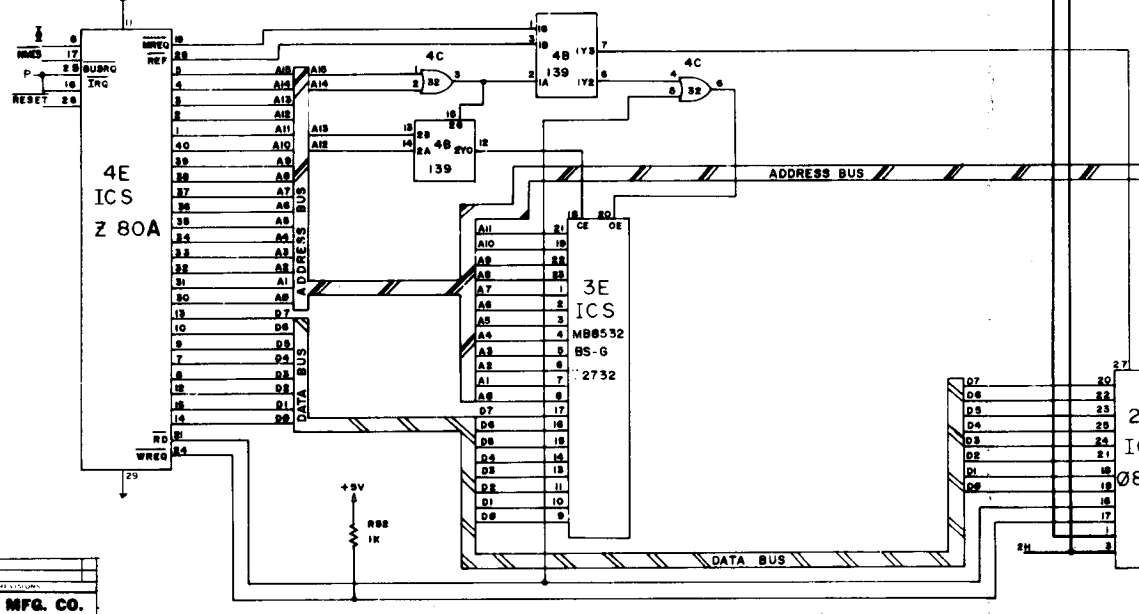
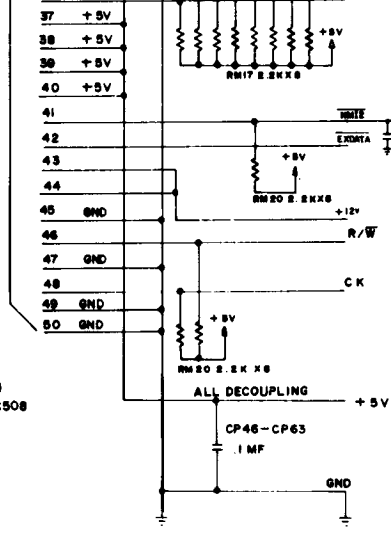
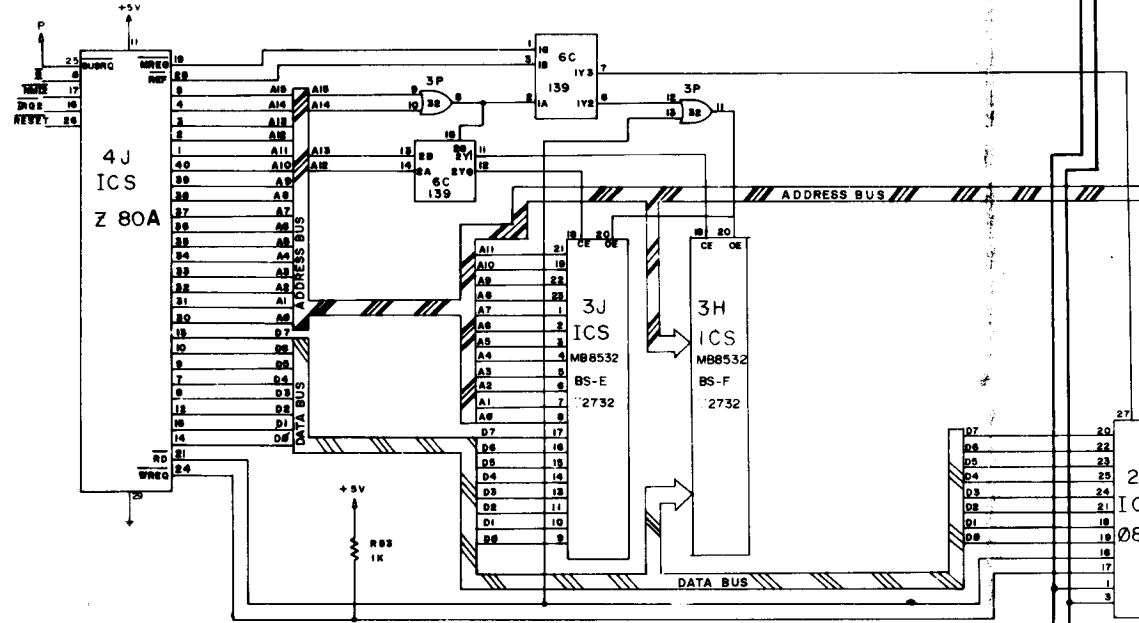
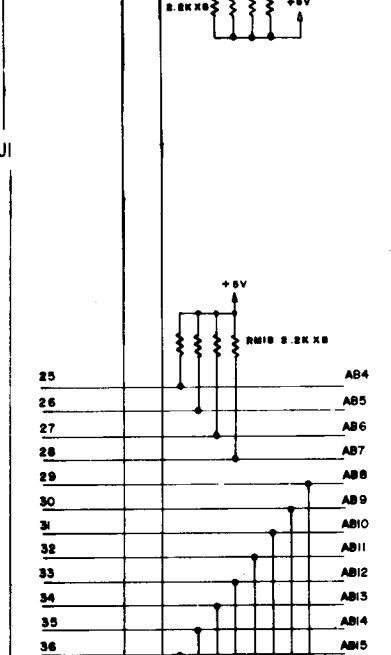
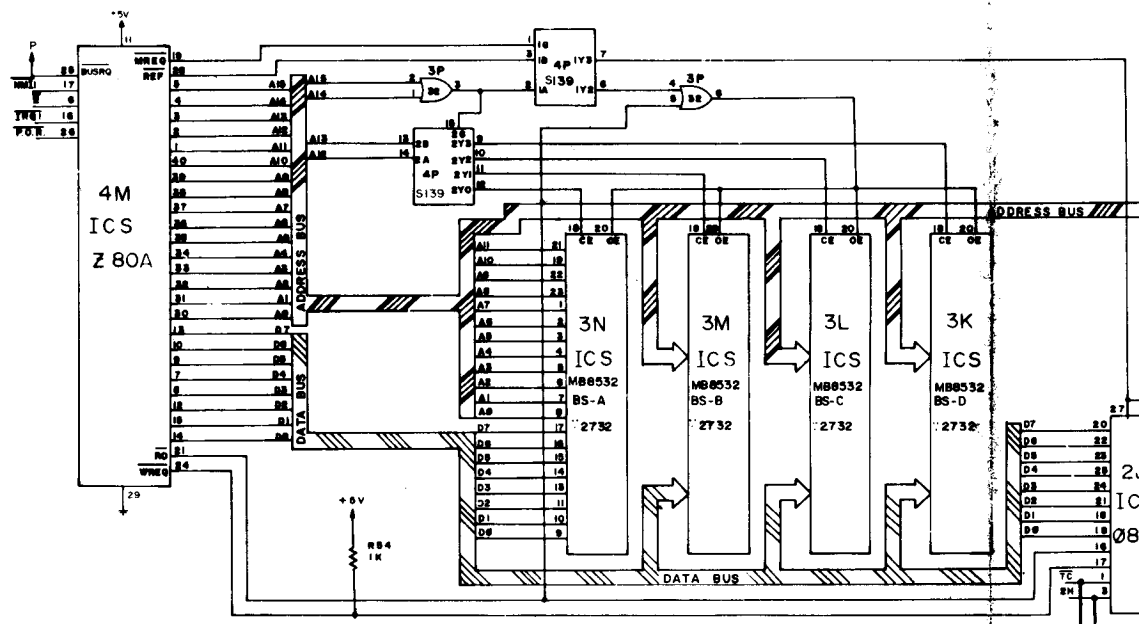
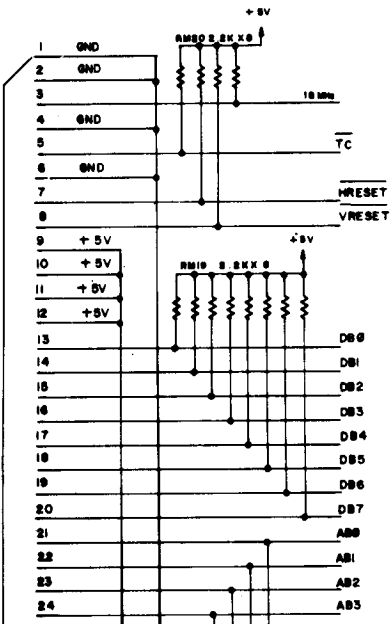


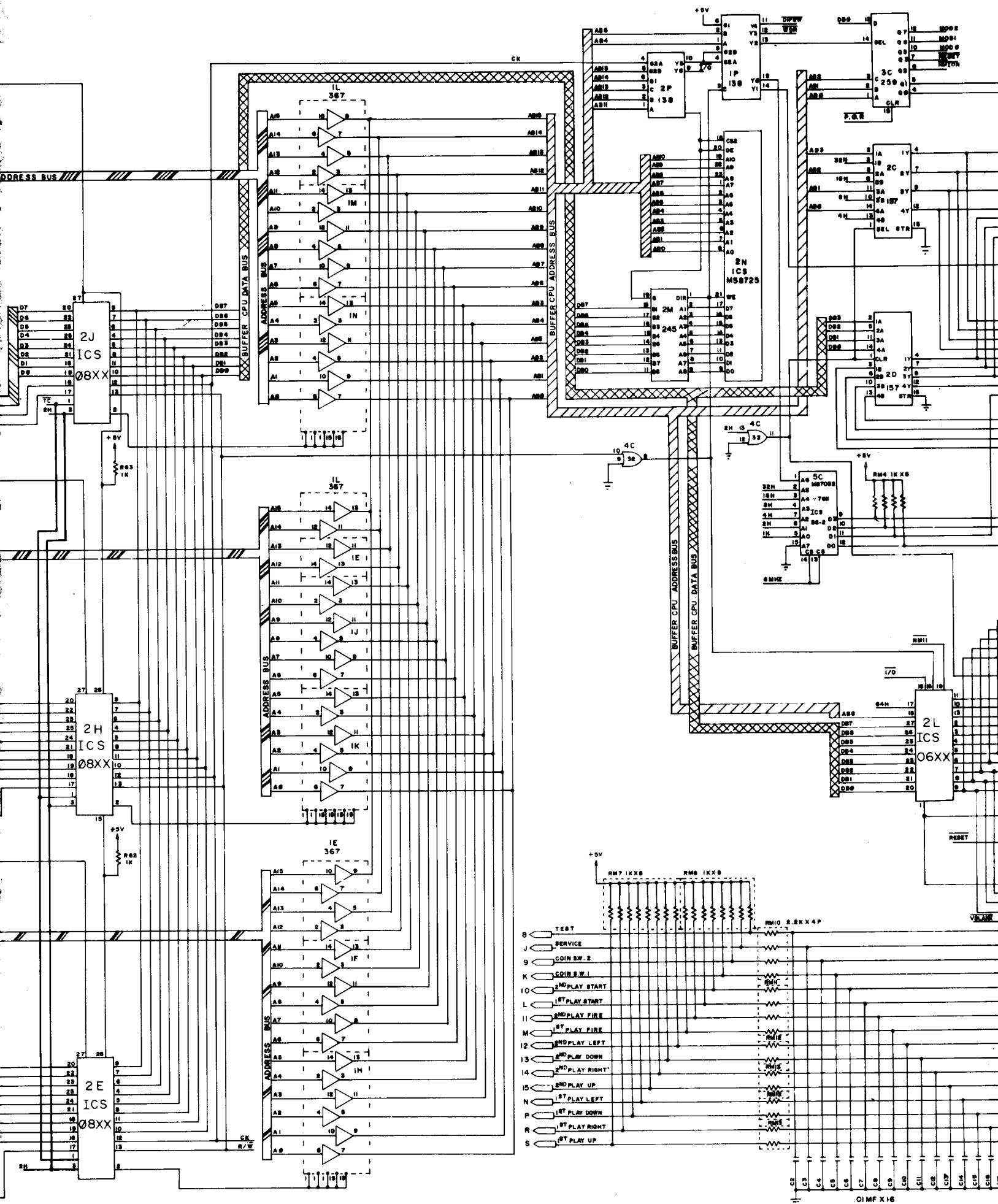
PROJECT ENG: J. SZERZEN		SCALE		NO. RECD		PER		REVISIONS	
DO NOT SCALE DIMS		FULL		NO. RECD		PER		MIDWAY MFG. CO.	
DIM. TOLERANCES		DATE		NO. RECD		PER		FRANKLIN PK. ILL.	
UNLESS SPECIFIED		DATE		NO. RECD		PER		PART NO.	
AS SHOWN		DATE		NO. RECD		PER		MOSI-00850-8010	
AS SHOWN		DATE		NO. RECD		PER		ASS'Y DRWNS.	

DESIGNATION LIST

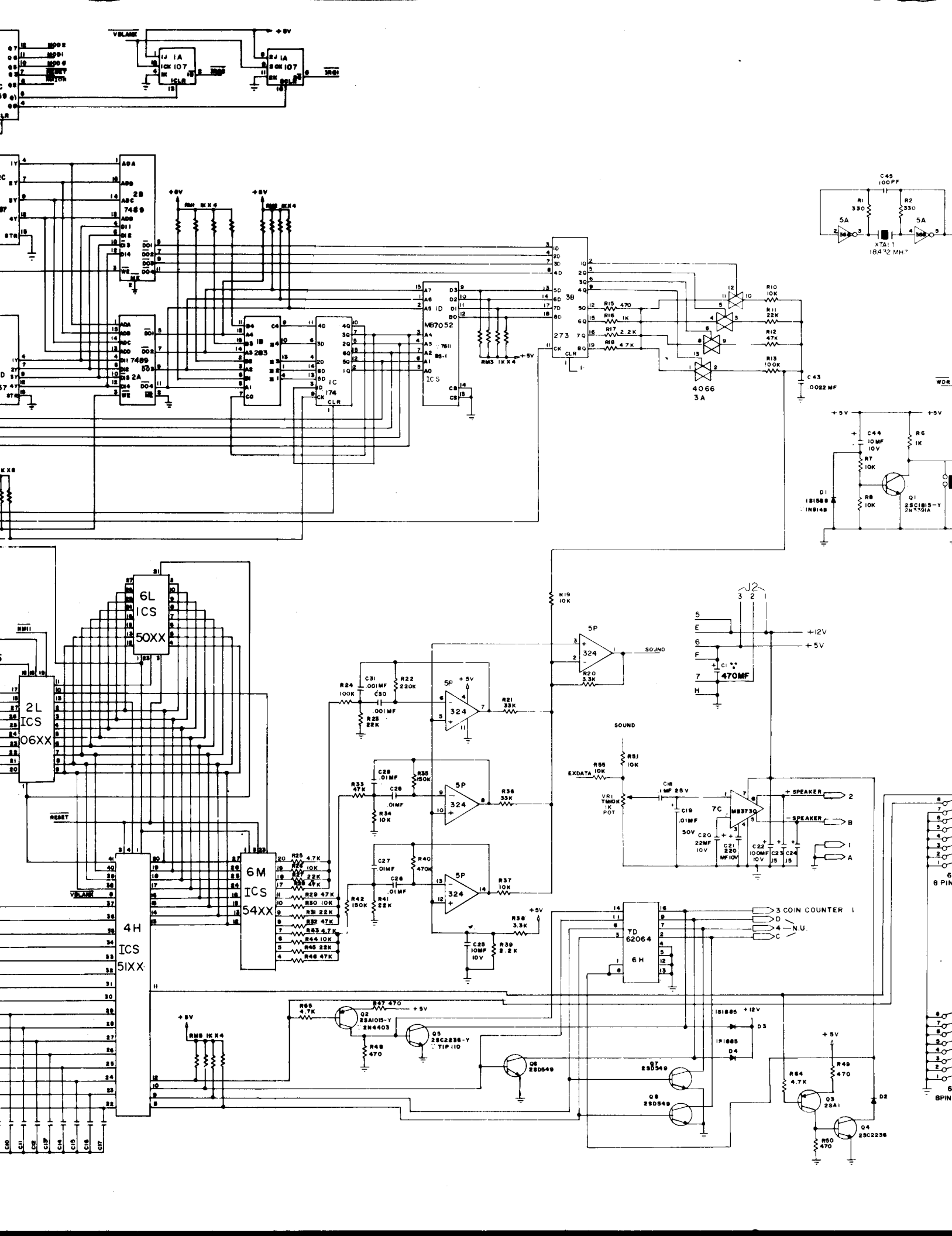
DESIGNATION	DESCRIPTION	DESIGNATION	DESCRIPTION
C1	470 MF ELEC.	D1	1N914B
C2-C17	.01 MF CER.	01	2N4391A
C8	.1MF "	02	2N4403
C18	.01 MF	03,04	NOT USED
C20	22 MF ELEC.	05	TIP 110
C21	220 MF "		
C22	100 MF "		
C23,C24	.15 MF TANT.	IC1A	74LS107
C25	10 MF ELEC.	"1B	74LS285
C26-C29	.01 MF POLY.	"1C	74LS174
C30,C31	.001 MF "	"1D	PROM 28-1
C32-C42	NOT USED	"1E,W,H,A,J,K,L,M,N	74LS267
C43	.0022 MF CER.	"1F	74LS139
C44	10 MF ELEC.	"2A,2B	7489
C48	100 PF CER.	"2C	74LS157
C49-C58	.1 MF "	"2D	74LS258
C51	NOT USED	"2E,2H,2J	04XX CUSTOM IC
C52	100 PF CER.	"2L	02XX "
R1,R2	330 OHM 1/4w 5% CRNH.	"2M	74LS245
R3,R4	NOT USED	"2N	87ATC RAM 8K X8
R5	100 OHM 1/4w 5% CRNH.	"2P	74LS125
R6	1K " " "	"2A	4086 CMOS
R7,R8	10K " " "	"2B	74LS273
R9	NOT USED	"2C	74LS259
R10	10K OHM 1/4w 5% CRNH.	"2D	NOT USED
R11	22K " " "	"2E	EPROM 28-8
R12	47K " " "	"2H	" 28-F
R13	100K " " "	"2J	" 28-E
R14	NOT USED	"2K	" 28-D
R15	470 OHM 1/4w 5% CRNH.	"2L	" 28-C
R16	1K " " "	"2M	" 28-B
R17	2.2K " " "	"2N	" 28-A
R18	4.7K " " "	"2P	
R19	10K " " "	"2Q	74LS22
R20	3.3K " " "	"2R	74LS129
R21	33K " " "	"2S	74LS25
R22	220K " " "	"2T	07XX CUSTOM IC
R23	22K " " "	"2U	Z-80A
R24	100K " " "	"2V	81XX CUSTOM IC
R25	4.7K " " "	"2W	Z-80A
R26	10K " " "	"2X	74LS191
R27	22K " " "	"2Y	NOT USED
R28	47K " " "	"2Z	Z-80A
R29	4.7K " " "	"3A	74LS29
R30	10K " " "	"3B	74LS259
R31	22K " " "	"3C	74107
R32,R33	47K " " "	"3D	PROM 28-2
R34	10K " " "	"3E	74LS21
R35	100K " " "	"3F	LM254
R36	33K " " "	"3G	74LS263
R37	10K " " "	"3H	74125
R38	3.3K " " "	"3J	74LS159
R39	2.2K " " "	"3K	80XX CUSTOM IC
R40	470K " " "	"3L	84XX
R41	22K " " "	"3M	MS2750
R42	10K " " "	"3N	
R43	4.7K " " "	"3P	16 PIN SOCKET
R44	10K " " "	"3Q	28 PIN "
R45	22K " " "	"3R	40 PIN "
R46,R47	47K " " "	"3S	40 PIN "
R48	10K " " "	"3T	42 PIN "
R49	47K " " "	"3U	40 PIN "
R50,R51	470 " " "	"3V	16 PIN "
R52-R54	NOT USED	"3W	14 PIN "
R55	10K OHM 1/4w 5% CRNH.	"3X	16 PIN "
R56	1K " " "	"3Y	28 PIN "
R57-R58	10K " " "	"3Z	
R59-R62	1K " " "		
R63,R64	NOT USED		
R65	4.7K OHM 1/4w 5% CRNH.	IC5 ID	1632 5M2 CRYSTAL
R61	1K " " "	" 2E,2H,2J,2L	ABC-8 PB SWITCH
R62	1K " " "	" 2M,2N,2P,2Q,2R,2S,2T	8 POS. DIP SWITCH
R63	1K " " "	" 4E	CONN. R.A.HEADER 80 PIN
R64	1K " " "	" 4H	CONN. R.C.B.HEADER 3 PIN
R65	1K " " "	" 4L,4M	OUNTING HARDWARE
R66	1K " " "	" 5A	- (2) 4-60 HEX NUT
R67,R68	NOT USED	" 5B	- (2) 4-60 X18 SLT PAN N.S.
R69	10K OHM 1/4w 5% CRNH.	" 5C	- (2) WH4 .125-250-018 FLT ST
R70	1K " " "	" 5L,5M	- (2) WH4 .125-250-018 EXT. ST
R71-R73	NOT USED		
R74	4.7K OHM 1/4w 5% CRNH.	XTAL 1	1632 5M2 CRYSTAL
R75	1K " " "	SW 1	ABC-8 PB SWITCH
R76	1K " " "	DIP SW 6J,6K	8 POS. DIP SWITCH
R77	1K " " "	J1	CONN. R.A.HEADER 80 PIN
R78	1K " " "	J2	CONN. R.C.B.HEADER 3 PIN
R79	1K " " "	MS2750	OUNTING HARDWARE
R80	NOT USED		- (2) 4-60 HEX NUT
R81-R83	NOT USED		- (2) 4-60 X18 SLT PAN N.S.
R84	1K OHM 5 PIN SIP.	P.C.B.	BOBSONIAN CPU BO.
R85	2.2K " 5 PIN SIP.		
R86	220 OHM 5 PIN SIP.		
R87	220 OHM 5 PIN SIP.		
R88	4.7K " 5 PIN "		
R89	1K POT		

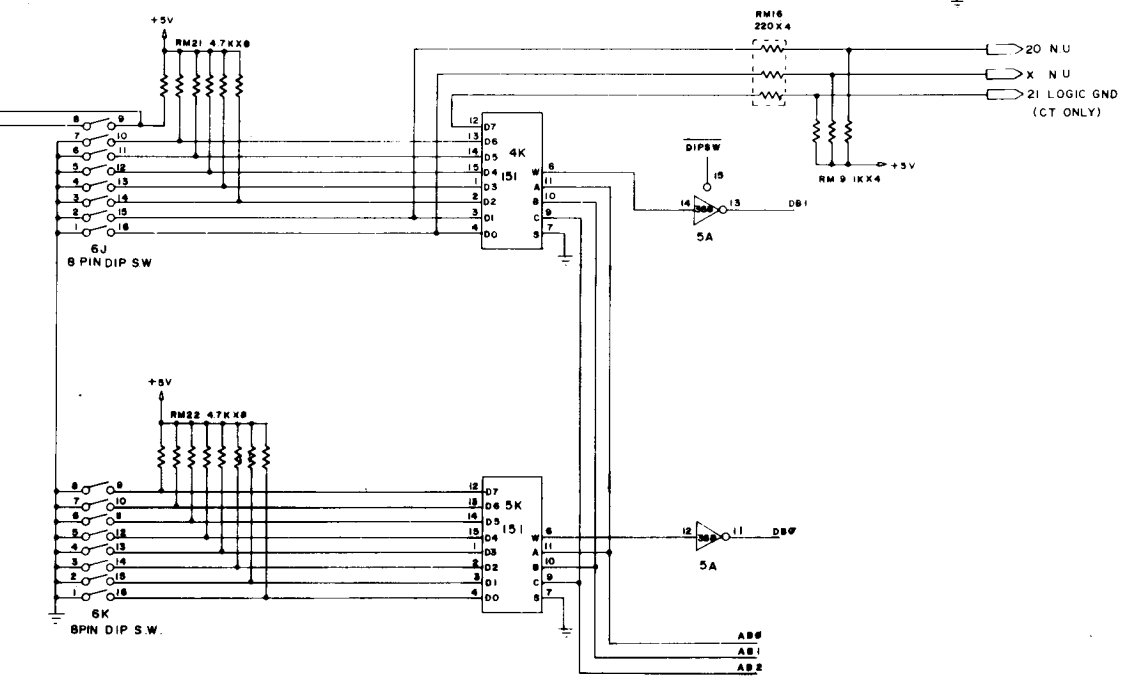
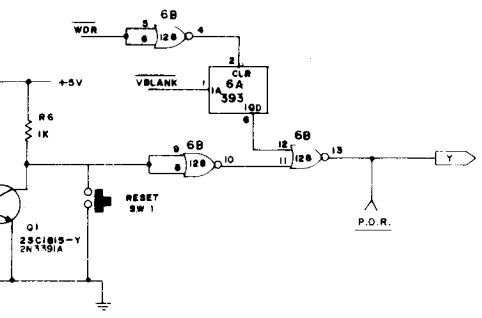
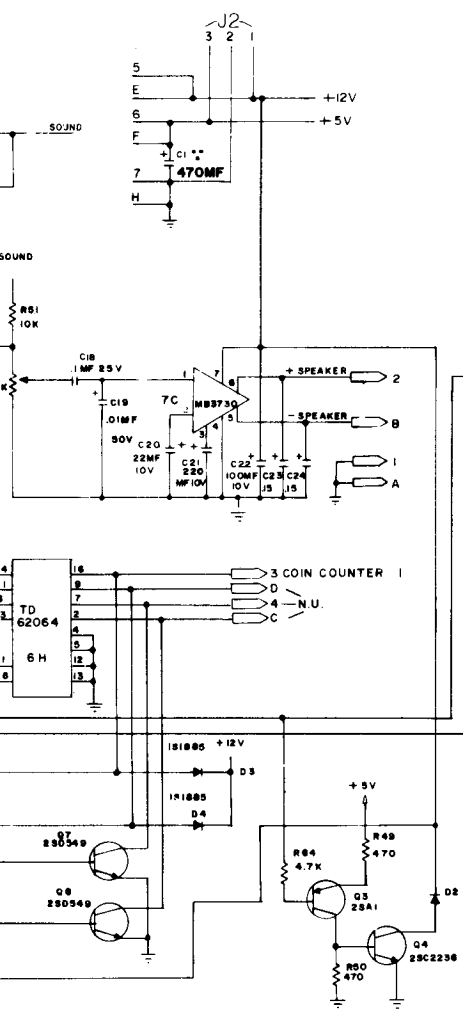
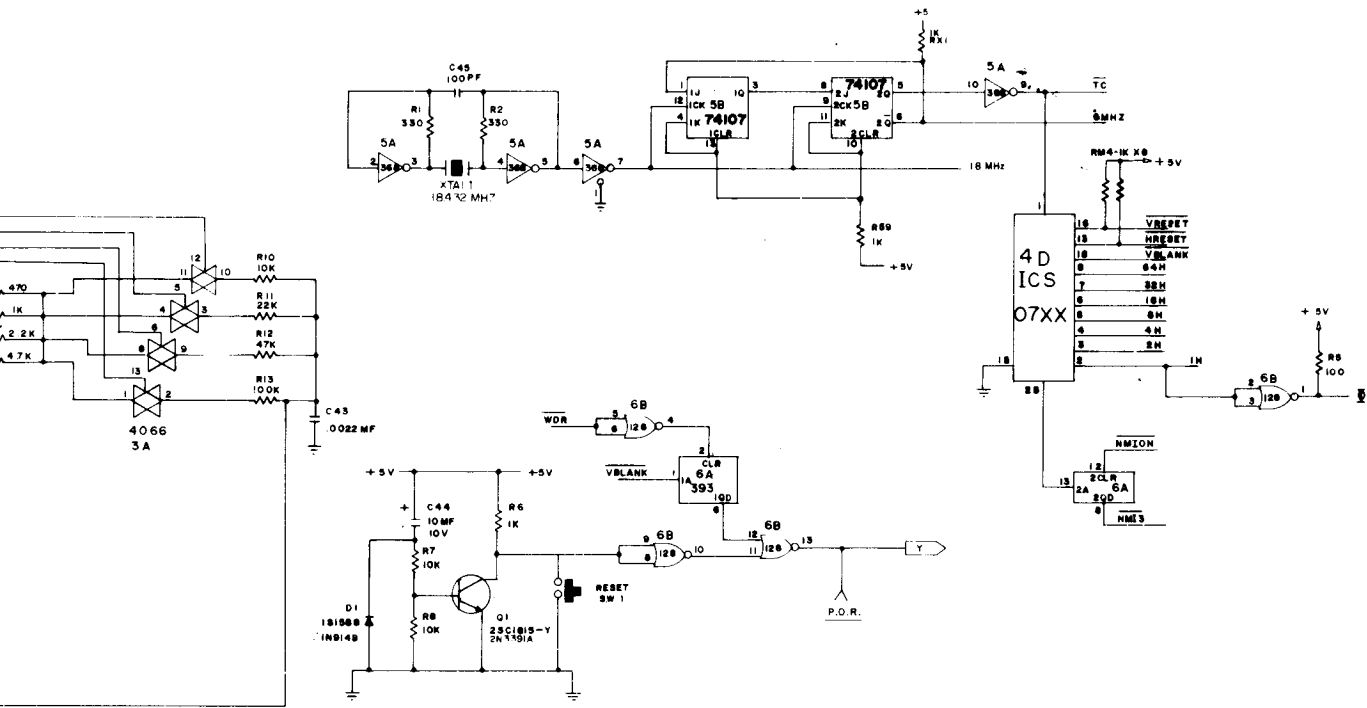






- B TEST
- J SERVICE
- 9 COIN SW. 2
- K COIN SW. 1
- 10 2ND PLAY START
- L 1ST PLAY START
- 11 END PLAY FIRE
- M 1ST PLAY FIRE
- 12 END PLAY LEFT
- 13 END PLAY DOWN
- 14 2ND PLAY RIGHT
- 15 END PLAY UP
- N 1ST PLAY LEFT
- P 1ST PLAY DOWN
- R 1ST PLAY RIGHT
- S 1ST PLAY UP





DESIGNATION LIST

DESIGNATION	DESCRIPTION	DESIGNATION	DESCRIPTION
C 1	470 MF ELEC.	IC 5F, 5H	74LS174
C 4	.022 MF POLY.	" 5K	NOT USED
C 5, C6	.0047 MF "	" 5L	EPROM BS-L
C 7	.001 MF 100V 10% POLY	" 5M	" BS-K
C 8, C9	.001 MF 50V 10% CER.	" 5N	" BS-J
C10-C45	.1 MF CER.	" 5R	52XX CUSTOM IC
C46	220 PF MICA	" 6B	PROM BS-6
C47	.001 MF 50V 10% CER.	" 6C, 6D	74LS194
C48	100 PF CER.	" 6E	74LS86
R 1	220 OHM 1/4w 5% CRBN.	" 6F, 6H	74LS157
R 2	470 " " " "	" 6J	74LS86
R 3	220 " " " "	" 6K	74LS175
R 4	470 " " " "	" 6L	74LS08
R 5	1K " " " "	" 7C	74LS157
R 6	220 " " " "	" 7D	74LS174
R 7	470 " " " "	" 7E	74LS00
R 8	1K " " " "	" 7F	74LS08
R11	10K " " " "	" 7H	PROM BS-7
R12	22K " " " "	" 7J	74LS175
R13	47K " " " "	ICS 1E	24 PIN SOCKET
R14, R15	100K " " " "	" 1H	" " "
R16	22K " " " "	" 1M	28 PIN "
R17	33K " " " "	" 1N	" " "
R18	47K " " " "	" 1R	" " "
R19	1K " " " "	" 2D	16 PIN "
R20	100 " " " "	" 2R	" " "
R21-R31	1K " " " "	" 4K	18 PIN "
R32	330 " " " "	" 4M	16 PIN "
RM1-RM4	2.2 K OHM 9 PIN SIP.	" 4N	18 PIN "
RM5, RM6	1K " " " "	" 5A	20 PIN "
RM7	470 " " " "	" 5B	24 PIN "
RM8-RM10	1K " " " "	" 5D	" " "
RM11	1K " 5 PIN "	" 5E	" " "
Q1, Q2	2N3391A	" 5L	" " "
IC 1B	74LS259	" 5M	" " "
" 1C	74LS138	" 5N	" " "
" 1D	74LS377	" 5R	42 PIN "
" 1E, 1H	PHAN. RAM 2K X 8	" 6B	16 PIN "
" 1J, 1K	74LS374	" 7H	" " "
" 1M	06XX CUSTOM IC	PCMHI-PCMH4	DUALLOCKING SPACERS
" 1N	50XX " "	J1	50 PIN RT. ANGLE
" 1R	07XX " "	J2	6 PIN MNL CONN.
** 2B	RAM KIT B OPTION 1	CABLE ASSY	AS BELOW
" 2C	74LS163	PI, P2	PLUG-SOCKET CONNECTOR 50-PIN
" 2D	PROM BS-3	CABLE	RIBBON CABLE-.33FT 50-CONNECTOR
" 2E	7489	A090-91413-B550	28 GA. STRND. RND. CONDUCTOR
" 2F, 2H	74LS245	BOSCONIAN P. C. B.	
" 2J, 2K, 2L, 2M	74LS263		
" 2N	74LS244		
" 2P	74LS257		
" 2R	PROM BS-4		
** 3A, 3B	RAM KIT B OPTION2		
" 3C, 3D, 3E, 3F	74LS163		
" 3H	74LS263		
" 3J	74LS20		
" 3K	74LS263		
" 3L, 3M	74LS06		
" 3N	74LS20		
" 3P	74LS06		
" 3R	74LS138		
" 4A	74LS174		
" 4B	74LS365		
" 4C	74LS273		
* 4D, 4E, 4F, 4H	RAM KIT A OPTION 2		
* 4J	" " " " 1		
" 4K	03XX CUSTOM IC		
" 4L	74LS377		
" 4M	PROM BS-5		
" 4N	03XX CUSTOM IC		
" 4P	74LS368		
" 5A	PHAN. PAL BS-8		
" 5B	05XX CUSTOM IC		
" 5D	EPROM BS-P		
" 5E	" BS-N		

DESCRIPTION

74LS174
 NOT USED
 EPROM BS-L
 " BS-K
 " BS-J
 52XX CUSTOM IC
 PROM BS-6
 74LS194
 74LS86
 74LS157
 74LS86
 74LS175
 74LS08
 74LS157
 74LS174
 74LS00
 74LS08
 PROM BS-7
 74LS175

24 PIN SOCKET

" " "
 " " "
 " " "
 " " "
 16 PIN "
 " " "
 16 PIN "
 16 PIN "
 18 PIN "
 20 PIN "
 24 PIN "
 " " "
 " " "
 " " "
 " " "
 " " "
 42 PIN "
 16 PIN "
 " " "

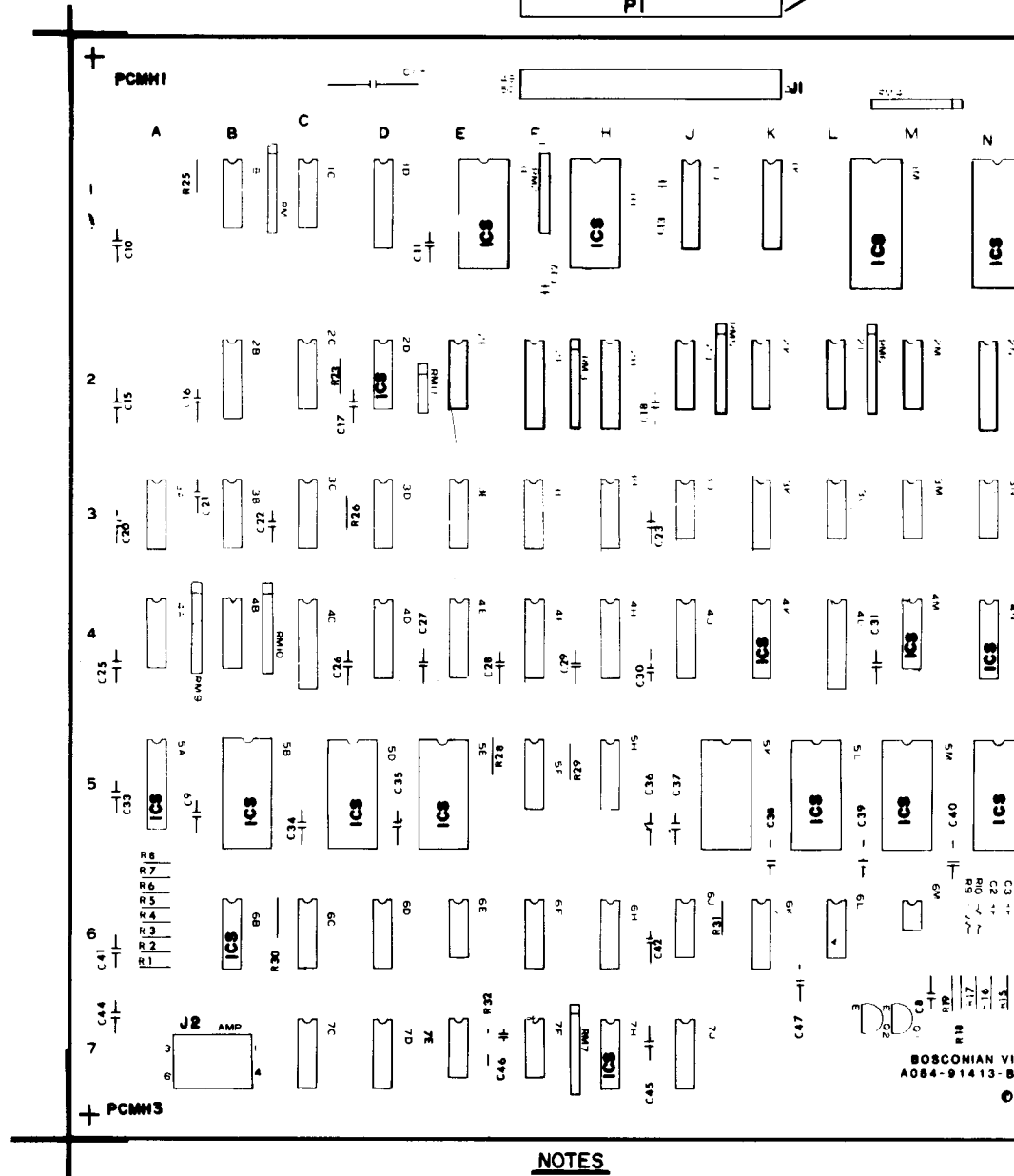
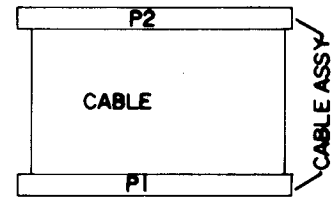
DUALLOCKING SPACERS

50 PIN RT. ANGLE
 6 PIN MNL. CONN.

AS BELOW

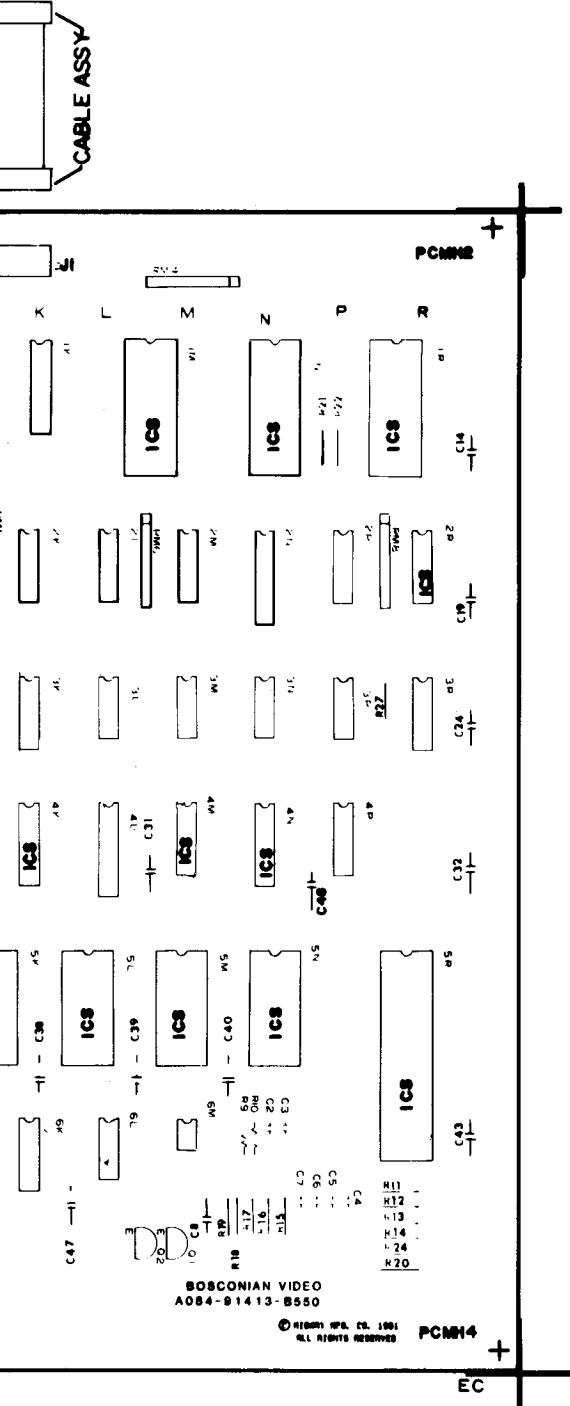
PLUG-SOCKET CONNECTOR 50-PIN
 RIBBON CABLE-.33FT 50-CONNECTOR
 28 GA. STRND. RND. CONDUCTOR

BOSCONIAN P.C.B.



NOTES

- * NOTE: RAM KIT A WILL UTILIZE EITHER OF THE FOLLOWING OPTIONS BUT NOT BOTH;
 OPTION1-(1) 2148 LOC. 4J
 OR
 OPTION2-(4) 2147 LOC. 4D,4E,4F,4H
- ** NOTE: RAM KIT B WILL UTILIZE EITHER OF THE FOLLOWING OPTIONS BUT NOT BOTH;
 OPTION1-(1) 2148 LOC. 2B
 OR
 OPTION2-(2) HM25II LOC. 3A,3B



DESCRIPTION	QUAN.	DESIGNATION
100 PF CER.	1	C48
220 PF MICA.	1	C46
.001 MF 100V 10% POLY.	1	C7
.001 MF 50V 10% CER.	3	C8,C9,C47
.0047 MF POLY.	2	C5,C6
.022 MF "	1	C4
.1 MF CER.	36	C10-C45
470 MF ELEC.	1	C1
100 OHM 1/4w 5% CRBN	1	R20
220 " " " "	3	R1,R3,R6
330 " " " "	1	R32
470 " " " "	3	R2,R4,R7
1K " " " "	14	R5,R8,R19,R21-R31
10K " " " "	1	R11
22K " " " "	2	R12,R16
33K " " " "	1	R17
47K " " " "	2	R13,R18
100K " " " "	2	R14,R15
470 OHM 9 PIN SIP.	1	RM7
1K " " " "	5	RM5,RM6,RM8-RM10
1K " 5PIN "	1	RM11
2.2K " 9PIN "	4	RM1-RM4
2N3391A	2	Q1,Q2
03XX CUSTOM IC	2	IC 4K,4N
05XX " " "	1	" 5B
06XX " " "	1	" 1M
07XX " " "	1	" 1R
08XX " " "	1	" 1N
52XX " " "	1	" 5R
74LS00	1	IC 7E
74LS08	2	" 6L,7F
74LS20	2	" 3J,3N
74LS86	5	" 3L,3M,3P,6E,6J
7489	1	" 2E
74LS138	2	" 1C,3R
74LS157	3	" 6F,6H,7C
74LS163	5	" 2C,3C,3D,3E,3F
74LS174	4	" 4A,5F,5H,7D
74LS175	2	" 6K,7J
74LS194	2	" 6C,8D
74LS244	1	" 2N
74LS245	2	" 2F,2H
74LS257	1	" 2P
74LS259	1	" 1B
74LS273	1	" 4C
74LS283	6	" 2J,2K,2L,2M,3H,3K
74LS365	1	" 4B
74LS368	1	" 4P
74LS374	2	" 1J, 1K
74LS377	2	" 1D, 4L
PROM BS-3	1	IC 2D
" BS-4	1	" 2R
" BS-5	1	" 4M
" BS-6	1	" 6B
" BS-7	1	" 7H
PHAN. PAL BS-8	1	" 5A
EPROM BS-J	1	" 5N
" BS-K	1	" 5M
" BS-L	1	" 5L
" BS-N	1	" 5E
" BS-P	1	" 5D
PHAN RAM 2K X8	2	" 1E, 1H

CROSS REFERENCE LIST

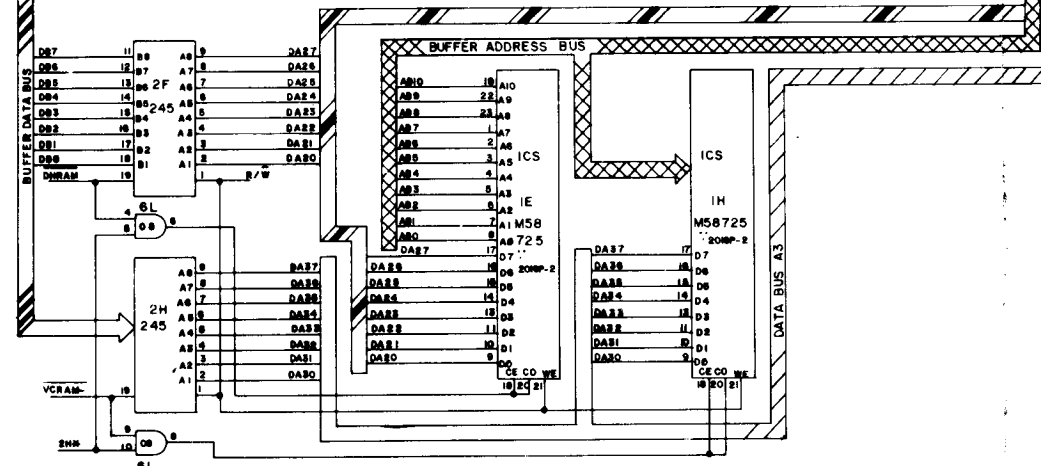
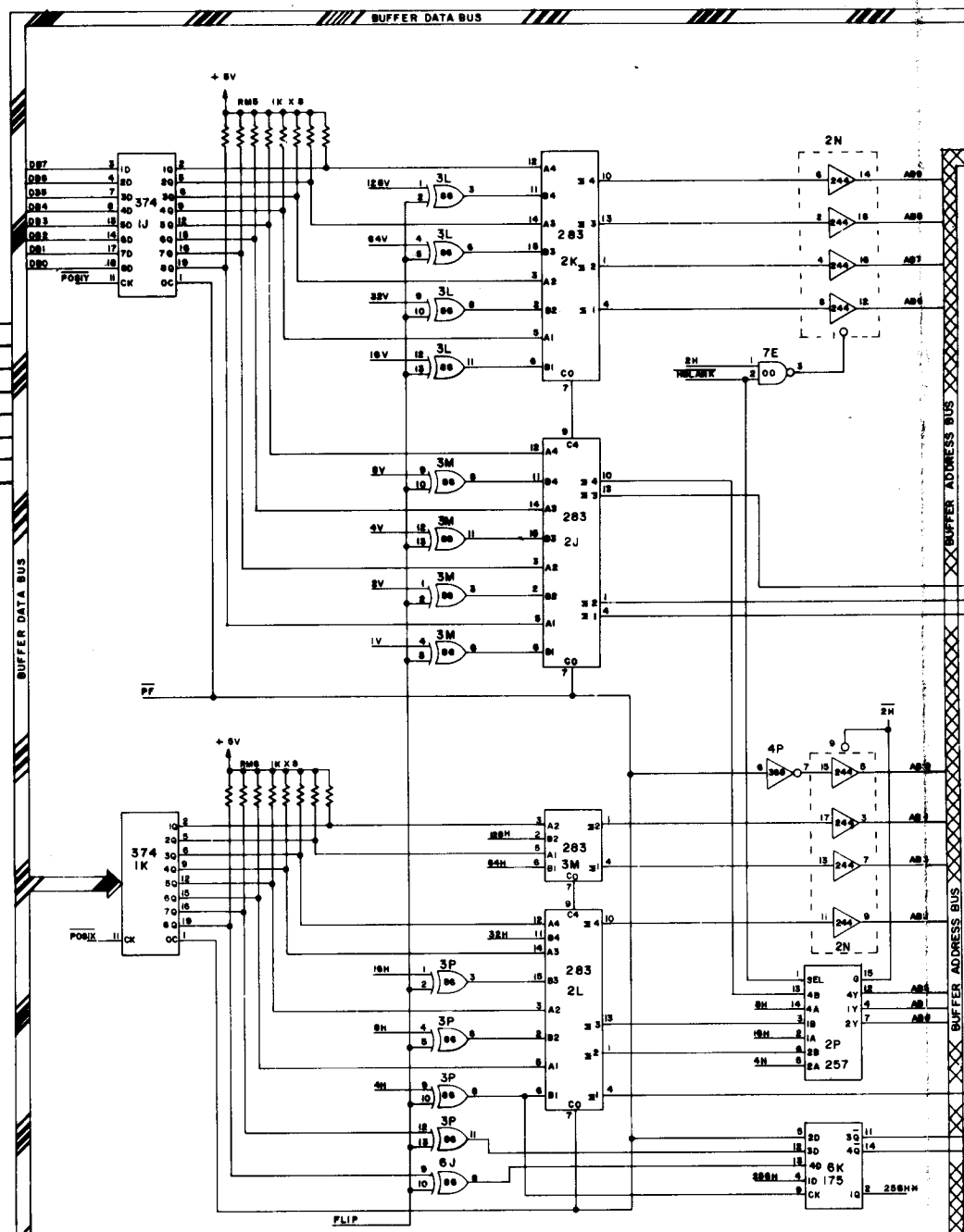
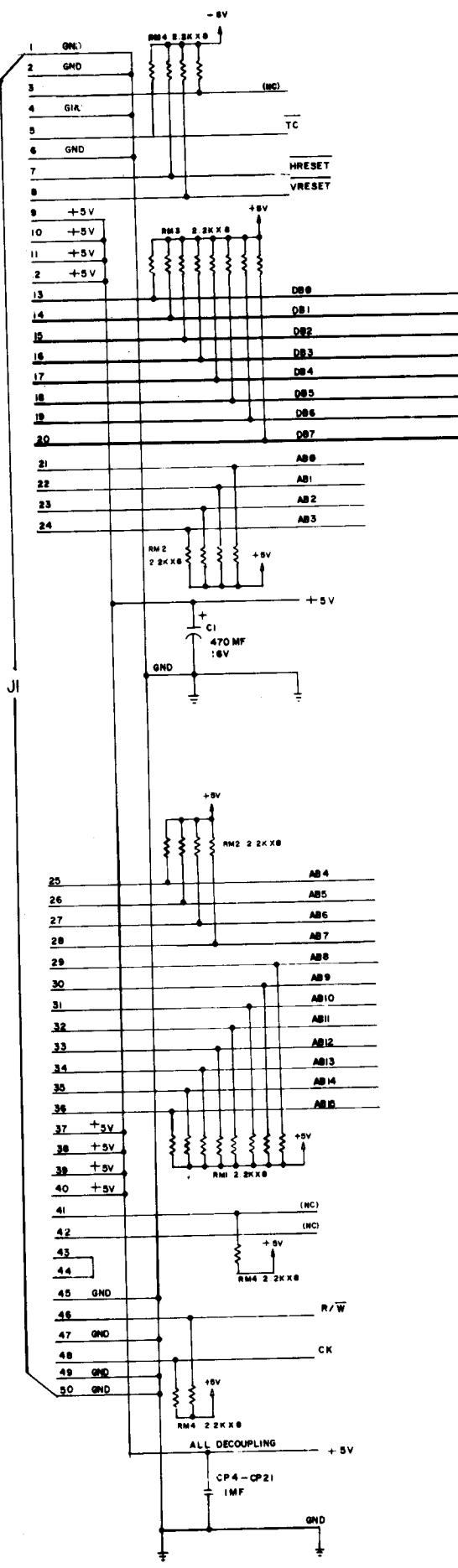
DESCRIPTION	QUAN.	DESIGNATION	PART NO.
PHAN.RAM A OPTIONS	1		0550-00803-6000
* RAM KIT A OPTIONS I	1	IC 4J	0550-00803-6200
* " " " " 2	4	" 4D,4E,4F,4H	0550-00803-6300
PHAN.RAM B OPTIONS	1		0550-00803-6100
** RAM KIT B OPTIONS I	1	IC 2B	0550-00803-6400
** " " " " 2	2	" 3A,3B	0550-00803-6500
16 PIN SOCKET	5	ICS-2D,2R,4M,6B,7H	0508-00804-0700
18 PIN "	2	" 4K,4N	0508-00804-0600
20PIN "	1	" 5A	0550-00804-2300
24PIN "	8	" 1E,1H,5B,5D,5E,5L	0508-00804-0500
		" 5M,5N	
28 PIN "	3	" 1M,1N,1R	0508-00804-0400
42 PIN "	1	" 5R	0508-00804-1900
6 PIN MNL CONN.	1	J2	0017-00021-0424
50 PIN RT. ANGLE CONN.	1	J1	0508-00804-0800
DUAL LOCKING SPACERS	4	PCMHI-PCMH4	0017-00042-0253
CABLE ASSY.	1		0508-00804-2200
50-PIN PLUG-SOCKET CONNECTOR	2	P1,P2	0508-00804-0900
RIBBON CABLE - .33FT	1	CABLE	0017-00033-0348
50-CONDUCTOR 28 GA. STRND AND CONDUCTOR			
BOSCONIAN P.C.B	1		A080-91413-B550
0550-00804-2400			
0550-00804-2100			
0550-00804-2000			
0550-00804-2200			
0550-00802-0400			
0066-010CX-XAPX			
0066-004CX-XAPX			
0066-005CX-XAPX			
0066-006CX-XAPX			
0066-012CX-XAPX			
0066-013CX-XAPX			
0550-00803-3400			
0550-00803-3500			
0550-00803-3600			
0550-00803-3700			
0550-00803-3300			
0550-00803-3800			
0550-00803-3900			
0550-00803-7100			
0550-00803-4000			
0550-00803-7000			
0550-00803-6900			
0550-00803-6800			
0550-00803-4100			
0550-00803-4200			
0550-00803-4300			
0550-00803-4400			
0550-00803-4500			
0550-00803-4600			
0550-00803-4700			
0550-00803-6700			
0550-00803-4800			
0550-00803-5500			
0550-00803-5600			
0550-00803-5700			
0550-00803-5800			
0550-00803-5900			
0550-00803-6600			
0550-00803-4900			
0550-00803-5000			
0550-00803-5100			
0550-00803-5200			
0550-00803-5300			
0550-00803-5400			

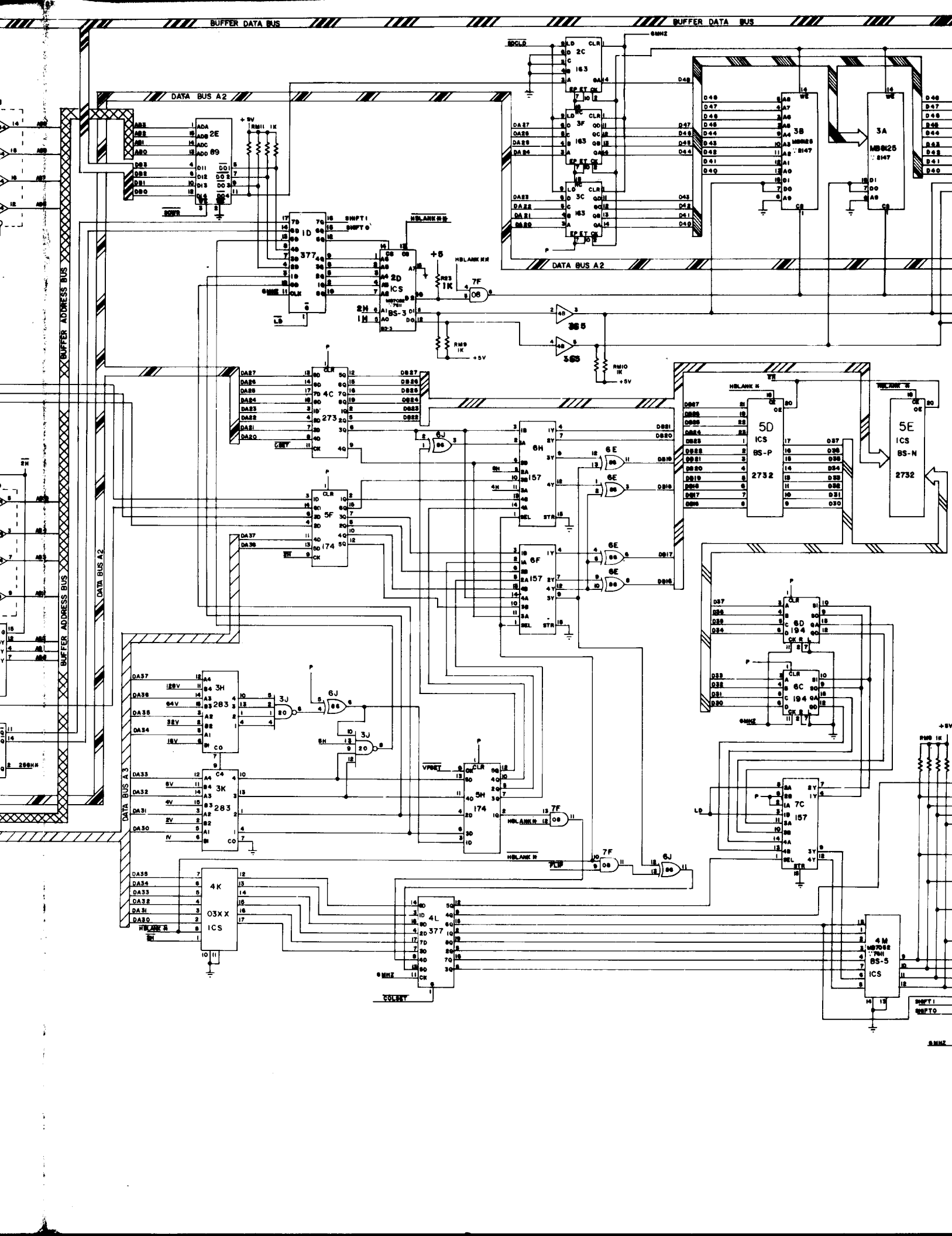
PROJECT ENG. J. SEZERSZEN

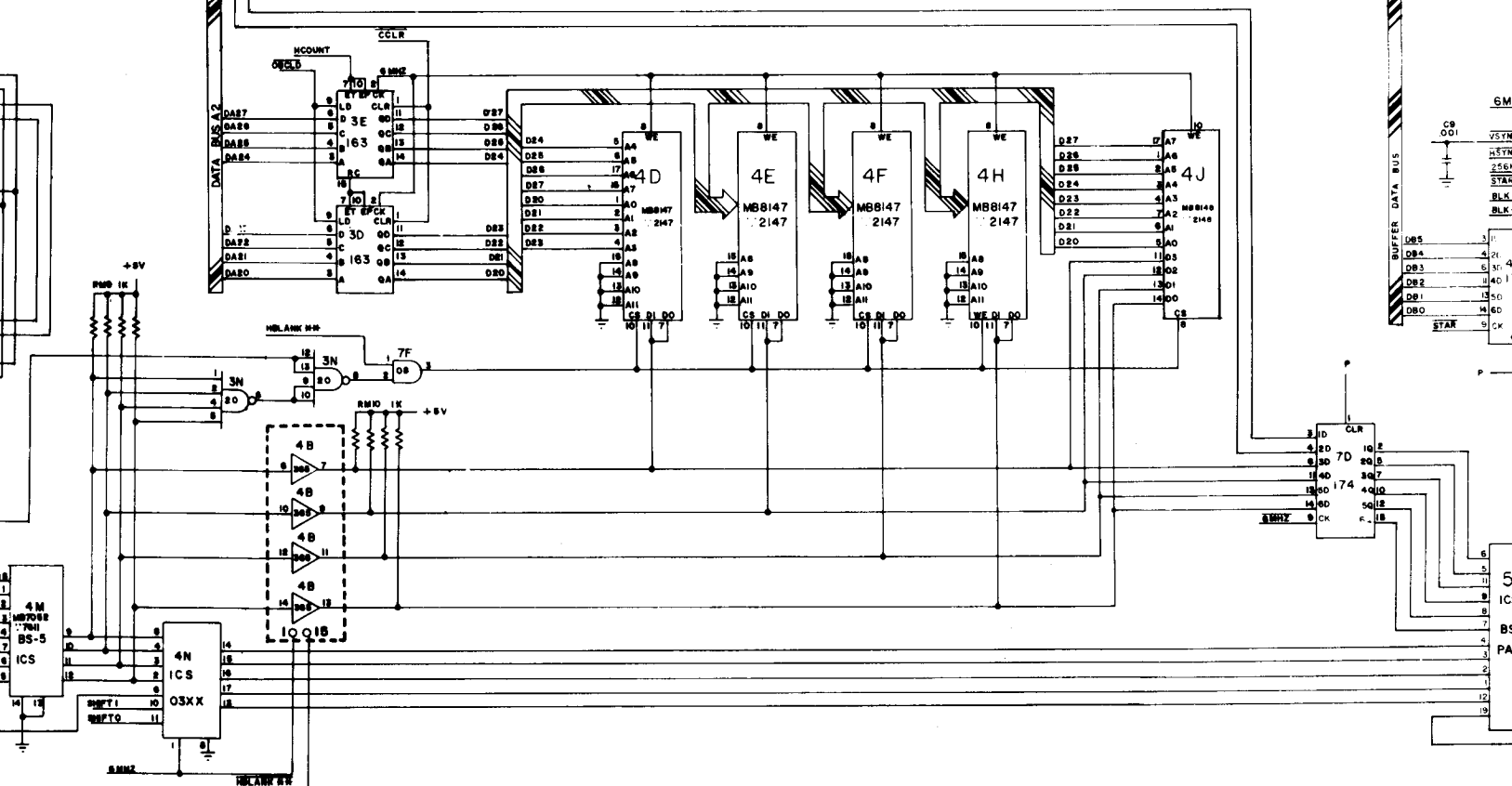
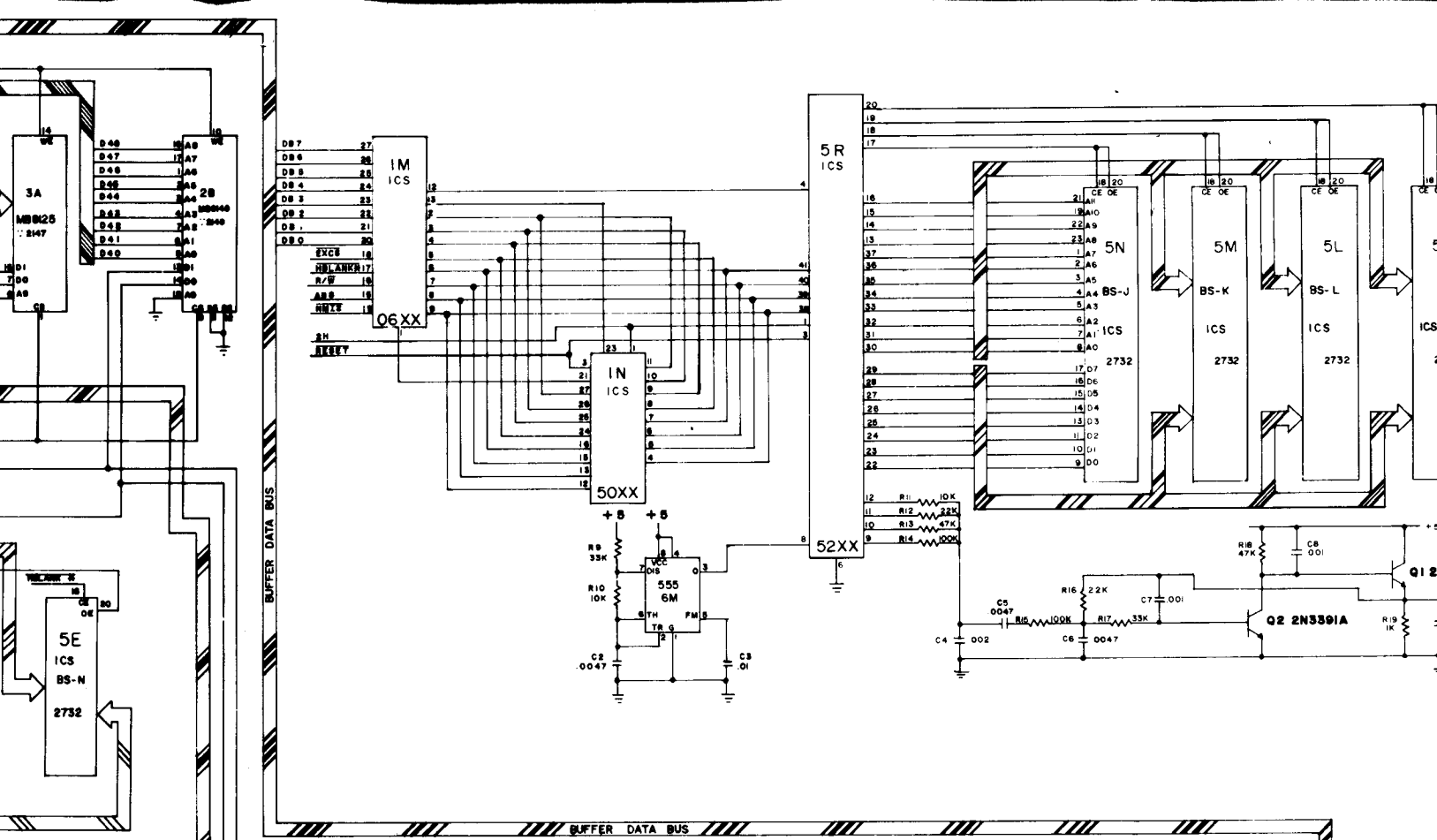
USED ON BOSCONIAN

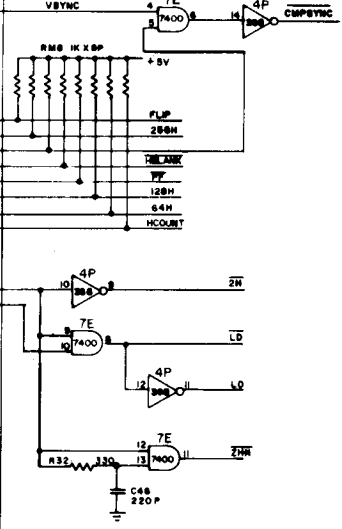
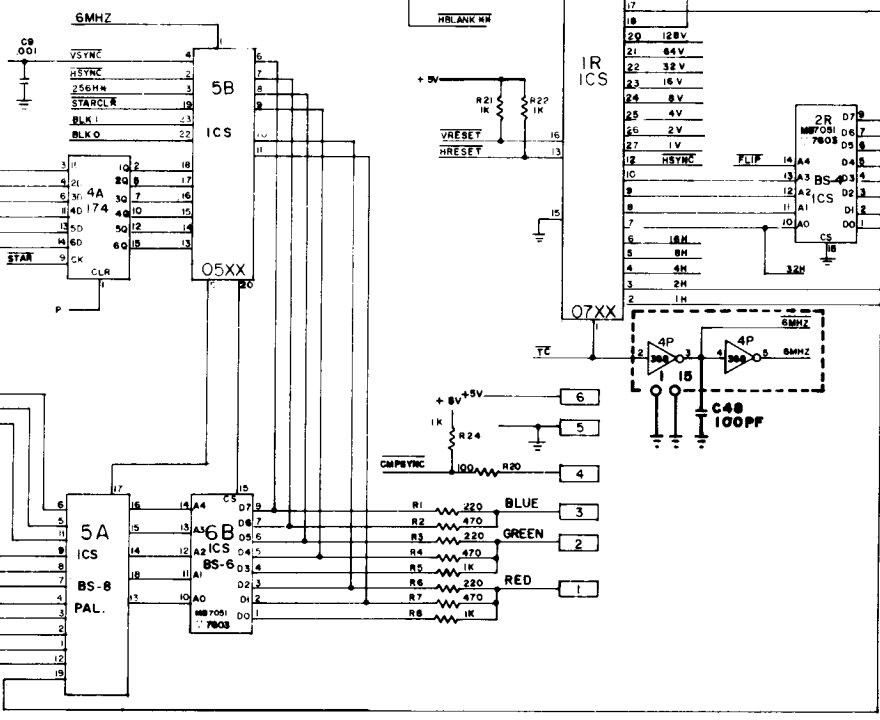
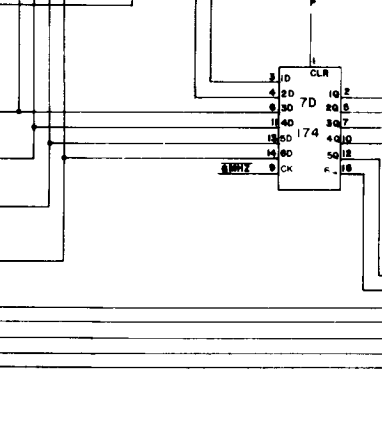
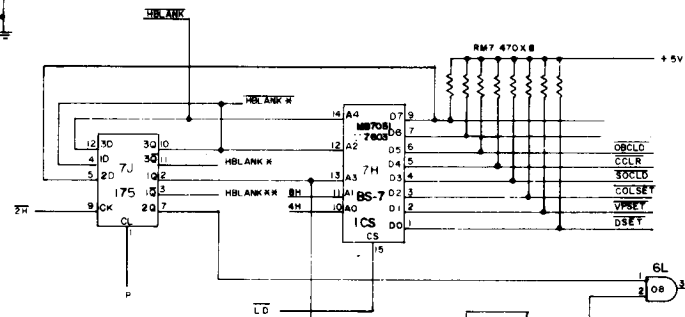
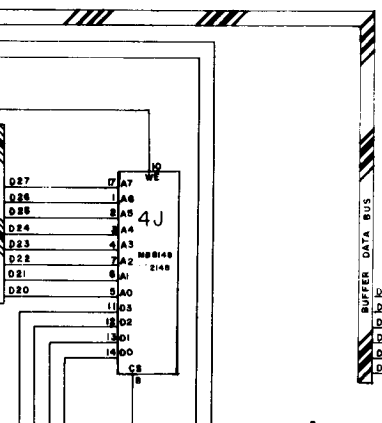
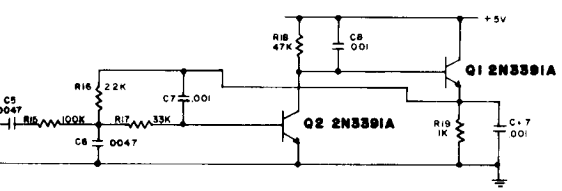
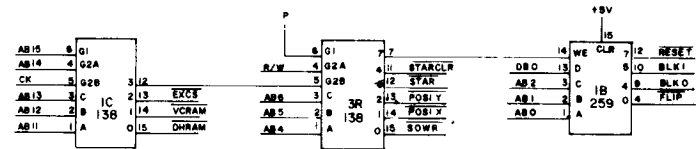
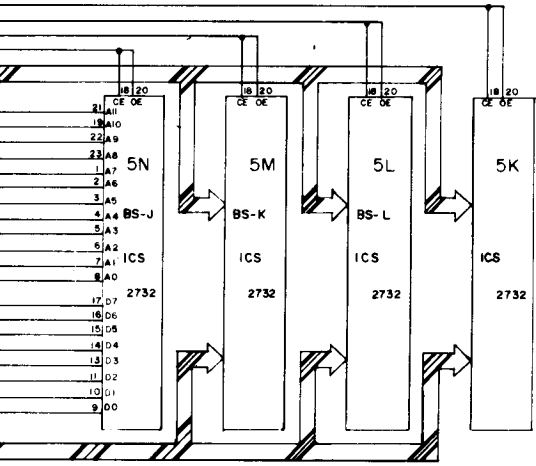
MIDWAY MFR

DO NOT SCALE DWG		HEAT TREAT	SCALE	FULL	NO REQ D	PER
DIM TOLERANCES UNLESS SPECIFIED		MAT'L	BOSCONIAN VIDEO		PART NO	
CONDUCTIVITY IN OHMS		FINISH	A084-91413-B550		M051-00550	
EMAL TYPICAL			ASS'Y DRWNG.			
DRYING						
MOLDED IN 4 002 000						
DATE 2/9/82						

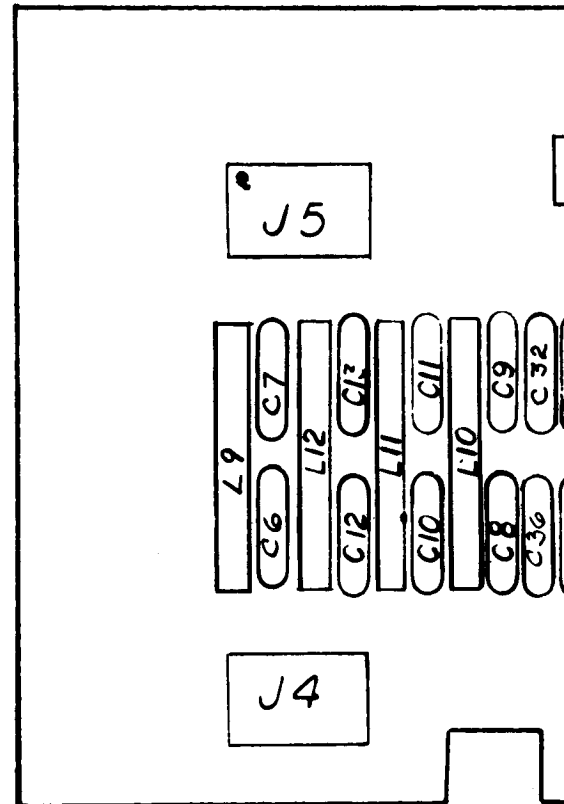






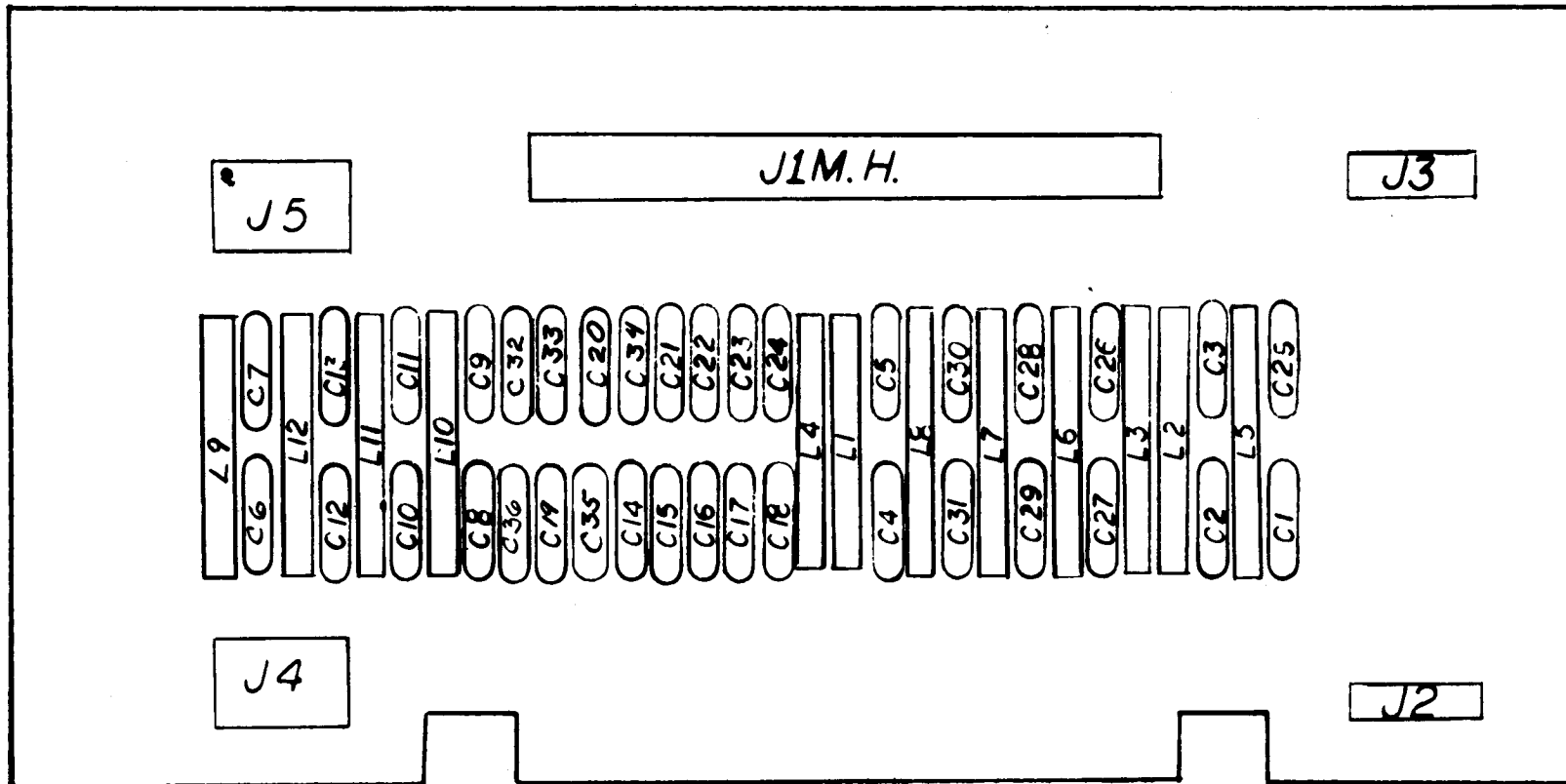
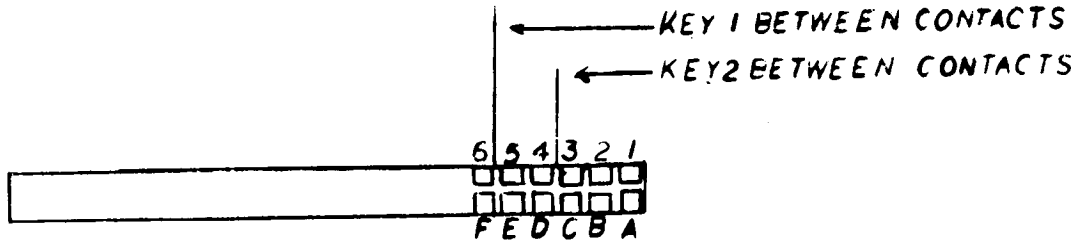


<u>DESIGNATION</u>	<u>DESCRIPTION</u>
C1	.1MF AX CER
C2-C5	47 PF AX CER
C6, C7	470PF AX CER
C8-C13	100PF AX CER
C14-C36	.01 MF AX CER
L1-L4	CHOKE 10JH W.W. MILLER
L5-L8	CHOKE 10JH W.W.
L9-L12	CHOKE ENCAP 10 JH
J1	P.C. EDGE CONN
J2, J3	3 PIN HEADER
J4, J5	6 PIN HEADER
J1 M.H.	2 EDGE CONN. KEY
	(2) 6-32x10 SLOT PAN SCREW
	(2) WSH 6 145-.250-.032
	(1) BRKT.-CONN. FIN.



<u>DESCRIPTION</u>	<u>QUANTITY</u>	<u>DESIGNATION</u>	<u>PHANTOM NUMBER</u>
47 PF 50V AX CER	4	C2-C5	0550-00800-0500
100PF 50V AX CER	6	C8-C13.	0550-00800-0100
470PF 50V AX CER	2	C6, C7	0550-00800-0200
.01MF 50V AX CER	23	C14-C36	0550-00800-0300
.1MF 50V AX CER	1	C1	0550-00800-0400
10JH W.W. RF CHOKE MILLER	4	L1-L4	0067-021XX-XXAX
10JH W.W. RF CHOKE	4	L5-L8	0550-00804-0100
10JH ENCAP RF CHOKE	4	L9-L12	0550-00804-0200
PC EDGE CONN	1	J1	C017-00021-0418

PLEASE DESTROY ALL PRINTS DATED
PRIOR TO 1-4-82



NUMBER
 0500
 0100
 0200
 0300
 0400
 XXAX
 0100
 0200
 0418

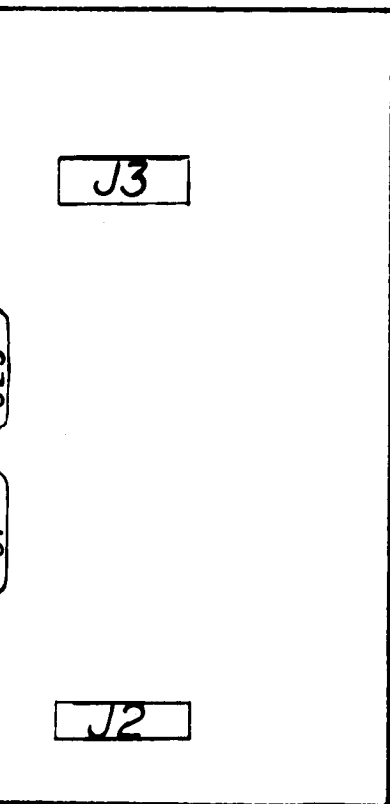
DESCRIPTION
 3 PIN HEADER
 AMP 350429-1
 6 PIN HEADER
 AMP 350431-1
 PC EDGE CON KEY
 6-32x10 SLOT
 PAN SCREW
 WSH 6
 145-, 250-.032
 BRKT-
 CONN.FIN

DATED

PROJECT ENGINEER L. LEKKER

DIM. TOLERANCES UNLESS OTHERWISE SPEC.		FIRST USED ON	
CONCENTRICITY T.I.R.002	DRN	DATE
FRACTIONAL	± 1/64	LKS	1-4-82
DECIMAL	± .005	MECH CHK	MAT'L
HOLE DIA.	+ .002 - .000	ELEG. CHK	FINISH
ANGLE	± 1/2°		
DO NOT SCALE DWG			

BETWEEN CONTACTS 5, E AND 6, F
 BETWEEN CONTACTS 3, C AND 4, D



<u>DESCRIPTION</u>	<u>QUANTITY</u>	<u>DESIGNATION</u>	<u>PHANTOM NUMBER</u>
PIN HEADER MP 350429-1	2	J2-J3	0017-00021-0443
PIN HEADER MP 350431-1	2	J4-J5	0017-0021-0424
EDGECON KEY	2	JIMH	0017-00021-0396
32x10 SLOT N SCREW	2	JIMH	0017-00101-0574
SH 6 5-, 250-.032	2	JIMH	0017-00104-0002
PKT- NN.FIN	1	JIMH	0866-00116-00XF

KER

THIS DWG. IS CONFIDENTIAL & PROPERTY OF MIDWAY MFG. CO.

DATE 1-4-82	SCALE FULL
MAT'L	
FINISH	

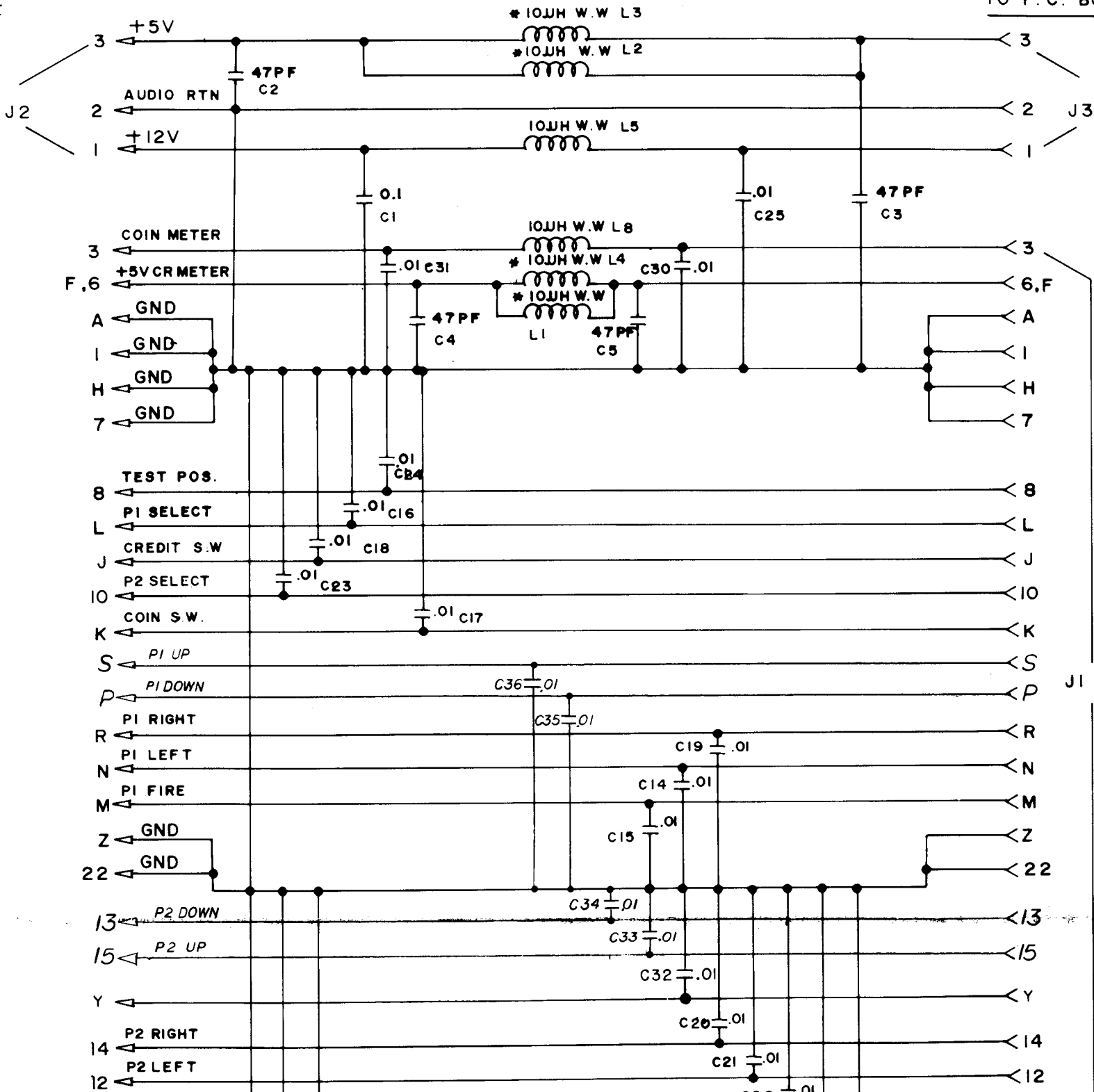
M MIDWAY MFG. CO.
 FRANKLIN PK., IL. 60131 A BALLY CO.

BOSCONIAN FILTER P.C.
 ASSY. DRWG.
 A084-91414-A550

REVISIONS	
PART NO.	M-0-5-1 - 0-0-5-5 0-A-0-1-4

← TO CABLE

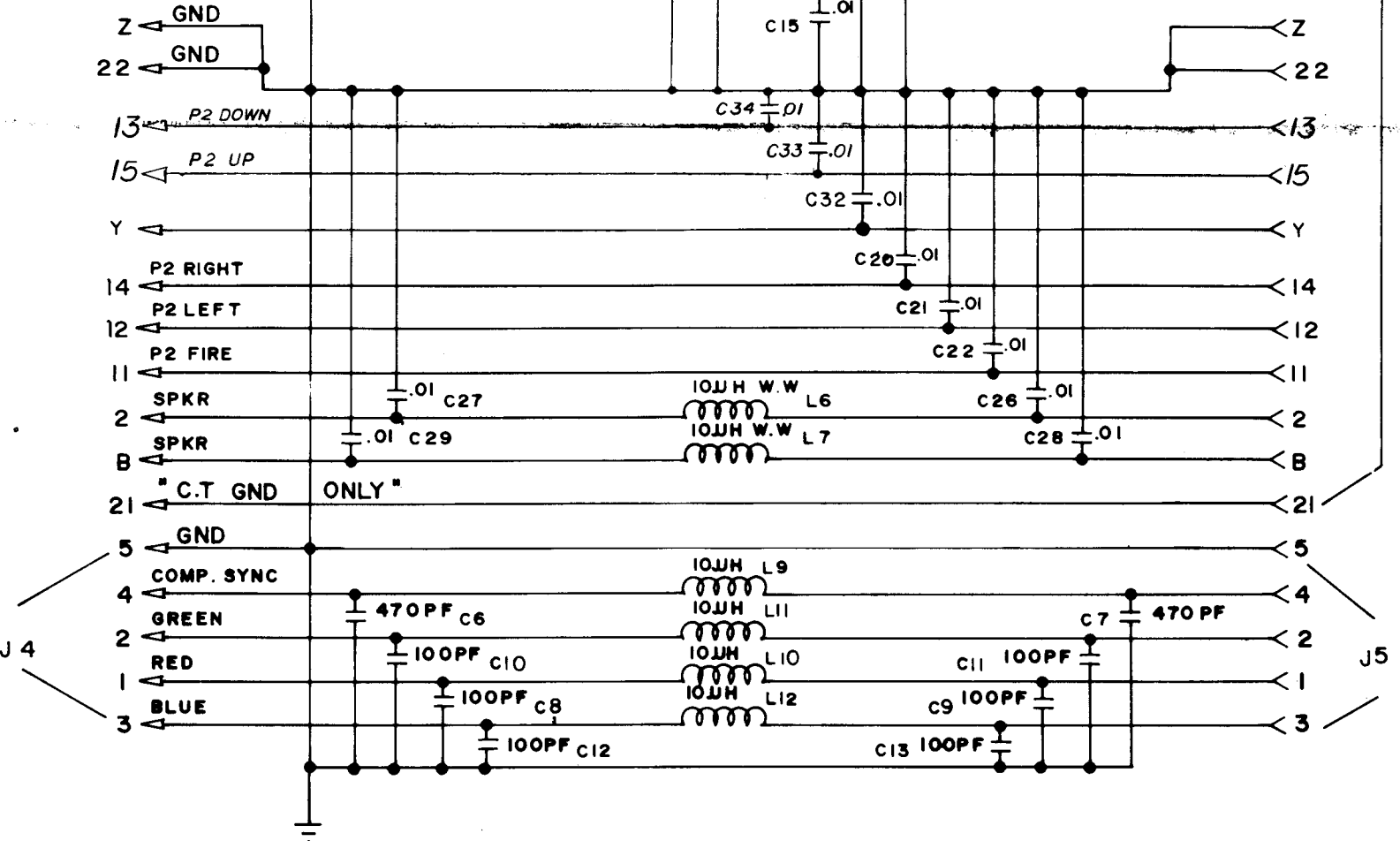
TO P. C. BOARD →



PROJECT ENG: L. DEKKER

DIM TOLERANCES	
UNLESS OTHERWISE SPEC.	
CONCENTRICITY	.002
FRACTIONAL	1/64
DECIMAL	.005
HOLE DIA	.002
ANGLE	1:12
DO NOT SCALE DWG	

BOU
mm
AS



NOTE:
 ALL .1 + .01 ARE MF
 ALL CAPS AX, CER, UNLESS
 NOTED OTHERWISE
 * 1.5 AMP (MILLER TYPE)
 INDUCTORS

PROJECT ENG: L. DEKKER

THIS DWG. IS CONFIDENTIAL & PROPERTY OF MIDWAY MFG. CO.

DIM. TOLERANCES
 UNLESS OTHERWISE SPEC.
 FRACTIONAL .125 .164 .200
 DECIMAL .002 .005 .010
 HOLE DIA .002 .005 .010
 ANGLE ± 12°
 DO NOT SCALE DWG.

BOSSONIAN
 12-2-53
 FULL

MIDWAY MFG. CO.
 FRANKLIN Pk., IL 60131
 A BALEY CO.

BOSSONIAN
 FILTER BOARD
 PART NO. MOSI-00550-A01S
 REVISIONS